

Mar. 2011



SERVICE MANUAL ADDENDUM

IC-R9500

CONTENTS

PARTS LIST	1
BOARD LAYOUTS	60
VOLTAGE DIAGRAM	62

PARTS LIST

[FRONT UNIT]

REF NO.	PARTS NO.	DESCRIPTION	M.	H/V LOCATION
SP1	2510001390	SPE 2844 SP BOX <FG>		
W1	8900016130	CAB OPC-1684 (P1N8L70) <TJM>		
W2	8900016130	CAB OPC-1684 (P1N8L70) <TJM>		
W3	8900016140	CAB OPC-1690 (P1N24L100) <TJM>		
W4	8900016150	CAB OPC-1679 (P0.5N30L80) <TJM>		
W5	8900007682	CAB OPC-741A-1(P0.5N40L55) <TJM>		
W6	8900015490	CAB OPC-1450A (P1N10L53) <TJM>		
W7	8900017130	CAB OPC-926A (P1N24L70) <TJM>		
W8	8900014750	CAB OPC-519A (P0.5N30L55) <TJM>		
W9	8900016130	CAB OPC-1684 (P1N8L70) <TJM>		
W10	8900016130	CAB OPC-1684 (P1N8L70) <TJM>		
W11	8900016130	CAB OPC-1684 (P1N8L70) <TJM>		
W12	8900016130	CAB OPC-1684 (P1N8L70) <TJM>		
EP1	6910015291	UNI LTA070B790F		
EP2	6910017310	E.O JSM5035-010100		

[DISPLAY UNIT]

REF NO.	PARTS NO.	DESCRIPTION	M.	H/V LOCATION
IC1	1130011880	S.IC CD4051BPWR	T	104.0/86.2
IC2	1130011880	S.IC CD4051BPWR	T	121.0/86.2
IC3	1130011880	S.IC CD4051BPWR	T	30.1/77.6
IC6	1140015180	S.IC M30622M6P-535GP(SX-3009B-1)	T	48.2/27.8
IC201	1110006400	S.IC M62343GP D65J	T	68.4/58.2
IC210	1180000421	S.IC TA78L05F(TE12RF)	T	104.1/63.7
IC601	1130011551	S.IC RX-4581NB-F	T	39.0/45.9
IC651	1110005821	S.IC R3112N281A-TR-F	T	50.2/68.9
Q200	1560001260	S.FET 2SK3018 T106	T	53.6/70.4
Q201	1530003301	S.TRA 2SC3647S-TD-E	T	91.2/47.1
Q202	1530003301	S.TRA 2SC3647S-TD-E	T	91.1/26.6
Q203	1530002060	S.TRA 2SC4081 T106 R	T	74.7/63.4
Q204	1520000651	S.TRA 2SB1201S-TL-E	T	79.7/66.8
Q205	1590003940	S.TRA RN1105(TE85LF)	T	73.1/58.0
Q209	1520000651	S.TRA 2SB1201S-TL-E	T	114.6/59.9
Q210	1530002060	S.TRA 2SC4081 T106 R	T	108.4/54.9
Q212	1590003940	S.TRA RN1105(TE85LF)	T	73.1/55.9
Q350	1590003940	S.TRA RN1105(TE85LF)	T	29.5/85.8
Q351	1590003940	S.TRA RN1105(TE85LF)	T	28.0/83.0
Q352	1590003940	S.TRA RN1105(TE85LF)	T	26.5/85.8
Q370	1590003940	S.TRA RN1105(TE85LF)	T	6.3/80.8
Q371	1590003940	S.TRA RN1105(TE85LF)	T	11.8/74.0
Q375	1590003940	S.TRA RN1105(TE85LF)	T	6.3/78.8
Q420	1590003940	S.TRA RN1105(TE85LF)	T	40.5/85.3
Q421	1590003940	S.TRA RN1105(TE85LF)	T	40.5/82.7
Q601	1510000771	S.TRA 2SA1586-GR(TE85LF)	T	56.5/71.6
Q610	1550000090	S.FET RSQ035P03TR	T	20.6/60.7
Q611	1550000090	S.FET RSQ035P03TR	T	20.8/54.0
Q612	1590003940	S.TRA RN1105(TE85LF)	T	26.3/61.0
Q613	1590003940	S.TRA RN1105(TE85LF)	T	27.7/54.6
D9	1730002341	S.ZEN MAZ8047GML	T	74.8/61.2
D12	1730002511	S.ZEN MAZ8027GHL	T	110.2/57.2
D601	1790001251	S.DIO MA2S1110GL	T	57.6/75.5
D602	1790001251	S.DIO MA2S1110GL	T	56.4/69.7
D603	1790001251	S.DIO MA2S1110GL	T	56.4/73.5
D610	1750001350	S.DIO CLS02(TE16LQ)	T	13.9/59.1
D611	1750001350	S.DIO CLS02(TE16LQ)	T	13.9/54.4
X1	6050009870	S.XTA CR-567 SMD-49 9.8304 MHz <KDS>	T	49.7/44.6
L201	6200001831	S.COI NLV32T-100J	T	43.9/84.4
L210	6190001191	S.COI D10F-#A814AY-101K	T	86.7/79.7
L211	6190001191	S.COI D10F-#A814AY-101K	T	81.2/38.2
L602	6200001831	S.COI NLV32T-100J	T	59.5/72.4
R2	7030003440	S.RES ERJ3GEYJ 102 V (1K)	T	123.1/57.1
R3	7030003440	S.RES ERJ3GEYJ 102 V (1K)	T	127.3/60.0
R4	7030003440	S.RES ERJ3GEYJ 102 V (1K)	T	123.1/58.3
R5	7030003440	S.RES ERJ3GEYJ 102 V (1K)	T	127.3/61.2
R6	7030003440	S.RES ERJ3GEYJ 102 V (1K)	T	123.1/59.5
R7	7030003440	S.RES ERJ3GEYJ 102 V (1K)	T	127.3/62.4
R8	7030003440	S.RES ERJ3GEYJ 102 V (1K)	T	123.1/60.7
R9	7030003440	S.RES ERJ3GEYJ 102 V (1K)	T	127.3/63.6
R10	7030003440	S.RES ERJ3GEYJ 102 V (1K)	T	123.1/61.9
R11	7030003440	S.RES ERJ3GEYJ 102 V (1K)	T	127.3/64.8
R12	7030003440	S.RES ERJ3GEYJ 102 V (1K)	T	123.1/63.1
R13	7030003440	S.RES ERJ3GEYJ 102 V (1K)	T	127.3/66.0
R14	7030003440	S.RES ERJ3GEYJ 102 V (1K)	T	123.1/64.3
R15	7030003440	S.RES ERJ3GEYJ 102 V (1K)	T	127.3/67.2
R16	7030003440	S.RES ERJ3GEYJ 102 V (1K)	T	123.1/65.5
R17	7030003440	S.RES ERJ3GEYJ 102 V (1K)	T	127.3/68.4
R18	7030003440	S.RES ERJ3GEYJ 102 V (1K)	T	123.1/66.7
R19	7030003440	S.RES ERJ3GEYJ 102 V (1K)	T	127.3/70.8
R20	7030003440	S.RES ERJ3GEYJ 102 V (1K)	T	123.1/69.1
R21	7030003440	S.RES ERJ3GEYJ 102 V (1K)	T	127.3/72.0
R22	7030003440	S.RES ERJ3GEYJ 102 V (1K)	T	123.1/71.5
R23	7030003560	S.RES ERJ3GEYJ 103 V (10K)	T	127.3/69.6
R24	7030003560	S.RES ERJ3GEYJ 103 V (10K)	T	123.1/67.9
R25	7030003560	S.RES ERJ3GEYJ 103 V (10K)	T	123.1/70.3
R26	7030003560	S.RES ERJ3GEYJ 103 V (10K)	T	127.3/73.2
R200	7030003440	S.RES ERJ3GEYJ 102 V (1K)	T	72.9/53.4
R201	7030003470	S.RES ERJ3GEYJ 182 V (1.8K)	T	96.6/43.7
R202	7030003470	S.RES ERJ3GEYJ 182 V (1.8K)	T	96.6/33.0
R203	7030003800	S.RES ERJ3GEYJ 105 V (1M)	T	49.7/41.3
R204	7030003560	S.RES ERJ3GEYJ 103 V (10K)	T	38.2/33.3
R205	7030003640	S.RES ERJ3GEYJ 473 V (47K)	T	70.7/54.2
R208	7030003360	S.RES ERJ3GEYJ 221 V (220)	T	74.5/59.7
R209	7030003860	S.RES ERJ3GE JPW V	T	13.0/24.7
R210	7030003860	S.RES ERJ3GE JPW V	T	13.0/23.4
R212	7030003660	S.RES ERJ3GEYJ 683 V (68K)	T	68.8/63.8
R213	7030003580	S.RES ERJ3GEYJ 153 V (15K)	T	71.0/63.1
R235	7030003440	S.RES ERJ3GEYJ 102 V (1K)	T	50.3/13.1
R239	7030003440	S.RES ERJ3GEYJ 102 V (1K)	T	37.0/85.4
R240	7030003440	S.RES ERJ3GEYJ 102 V (1K)	T	35.8/85.4
R241	7030003680	S.RES ERJ3GEYJ 104 V (100K)	T	38.2/85.4
R242	7030003680	S.RES ERJ3GEYJ 104 V (100K)	T	34.6/85.4
R246	7030003440	S.RES ERJ3GEYJ 102 V (1K)	T	59.6/13.3
R247	7030003440	S.RES ERJ3GEYJ 102 V (1K)	T	58.3/13.3
R248	7030003440	S.RES ERJ3GEYJ 102 V (1K)	T	57.0/13.3
R249	7030003440	S.RES ERJ3GEYJ 102 V (1K)	T	55.7/13.3

M.=Mounted side (T: Mounted on the Top side, B: Mounted on the Bottom side)
S.=Surface mount

[DISPLAY UNIT]

REF NO.	PARTS NO.	DESCRIPTION	M.	H/V LOCATION
R250	7030003440	S.RES ERJ3GEYJ 102 V (1K)	T	54.4/13.3
R251	7030003320	S.RES ERJ3GEYJ 101 V (100)	T	52.7/13.1
R254	7030003680	S.RES ERJ3GEYJ 104 V (100K)	T	48.4/13.3
R304	7030003640	S.RES ERJ3GEYJ 473 V (47K)	T	58.5/40.0
R306	7030003640	S.RES ERJ3GEYJ 473 V (47K)	T	58.8/29.0
R310	7030003440	S.RES ERJ3GEYJ 102 V (1K)	T	25.0/42.4
R311	7030003440	S.RES ERJ3GEYJ 102 V (1K)	T	25.0/43.6
R326	7030003360	S.RES ERJ3GEYJ 221 V (220)	T	110.3/54.0
R327	7030003580	S.RES ERJ3GEYJ 153 V (15K)	T	106.5/54.8
R328	7030003660	S.RES ERJ3GEYJ 683 V (68K)	T	104.6/55.2
R339	7070000261	RES ERG2SJ 220 (22)		
R340	7070000261	RES ERG2SJ 220 (22)		
R369	7030003860	S.RES ERJ3GE JPW V	T	56.1/37.2
R370	7030003440	S.RES ERJ3GEYJ 102 V (1K)	T	19.2/86.8
R371	7030003440	S.RES ERJ3GEYJ 102 V (1K)	T	14.6/91.4
R372	7030003440	S.RES ERJ3GEYJ 102 V (1K)	T	19.4/85.6
R373	7030003440	S.RES ERJ3GEYJ 102 V (1K)	T	14.6/90.2
R374	7030003440	S.RES ERJ3GEYJ 102 V (1K)	T	19.4/84.4
R375	7030003440	S.RES ERJ3GEYJ 102 V (1K)	T	14.6/89.0
R376	7030003440	S.RES ERJ3GEYJ 102 V (1K)	T	19.4/83.2
R377	7030003440	S.RES ERJ3GEYJ 102 V (1K)	T	14.6/87.8
R378	7030003440	S.RES ERJ3GEYJ 102 V (1K)	T	19.4/82.0
R379	7030003440	S.RES ERJ3GEYJ 102 V (1K)	T	14.6/86.6
R380	7030003440	S.RES ERJ3GEYJ 102 V (1K)	T	19.4/80.8
R381	7030003440	S.RES ERJ3GEYJ 102 V (1K)	T	14.6/85.4
R382	7030003440	S.RES ERJ3GEYJ 102 V (1K)	T	19.4/79.6
R383	7030003440	S.RES ERJ3GEYJ 102 V (1K)	T	14.6/84.2
R384	7030003440	S.RES ERJ3GEYJ 102 V (1K)	T	19.4/78.4
R385	7030003440	S.RES ERJ3GEYJ 102 V (1K)	T	14.6/83.0
R386	7030003440	S.RES ERJ3GEYJ 102 V (1K)	T	14.6/81.5
R387	7030003440	S.RES ERJ3GEYJ 102 V (1K)	T	19.4/77.2
R388	7030003440	S.RES ERJ3GEYJ 102 V (1K)	T	14.6/80.3
R389	7030003440	S.RES ERJ3GEYJ 102 V (1K)	T	19.7/73.5
R390	7030003440	S.RES ERJ3GEYJ 102 V (1K)	T	14.6/76.7
R391	7030003440	S.RES ERJ3GEYJ 102 V (1K)	T	22.4/73.5
R392	7030003440	S.RES ERJ3GEYJ 102 V (1K)	T	14.6/75.0
R393	7030003560	S.RES ERJ3GEYJ 103 V (10K)	T	14.6/77.9
R394	7030003560	S.RES ERJ3GEYJ 103 V (10K)	T	19.4/74.8
R395	7030003560	S.RES ERJ3GEYJ 103 V (10K)	T	14.6/79.1
R396	7030003560	S.RES ERJ3GEYJ 103 V (10K)	T	19.4/76.0
R503	7030003640	S.RES ERJ3GEYJ 473 V (47K)	T	36.2/32.5
R532	7030003440	S.RES ERJ3GEYJ 102 V (1K)	T	51.5/13.1
R560	7030003440	S.RES ERJ3GEYJ 102 V (1K)	T	18.2/14.0
R561	7030003440	S.RES ERJ3GEYJ 102 V (1K)	T	19.4/14.0
R562	7030003440	S.RES ERJ3GEYJ 102 V (1K)	T	20.6/14.0
R563	7030003440	S.RES ERJ3GEYJ 102 V (1K)	T	21.8/14.0
R564	7030003440	S.RES ERJ3GEYJ 102 V (1K)	T	23.0/14.0
R565	7030003440	S.RES ERJ3GEYJ 102 V (1K)	T	24.2/14.0
R566	7030003440	S.RES ERJ3GEYJ 102 V (1K)	T	25.4/14.0
R567	7030003440	S.RES ERJ3GEYJ 102 V (1K)	T	26.6/14.0
R568	7030003440	S.RES ERJ3GEYJ 102 V (1K)	T	27.8/14.0
R569	7030003440	S.RES ERJ3GEYJ 102 V (1K)	T	29.0/14.0
R570	7030003440	S.RES ERJ3GEYJ 102 V (1K)	T	30.2/14.0
R571	7030003440	S.RES ERJ3GEYJ 102 V (1K)	T	31.4/14.0
R572	7030003440	S.RES ERJ3GEYJ 102 V (1K)	T	32.6/14.0
R573	7030003440	S.RES ERJ3GEYJ 102 V (1K)	T	33.8/14.0
R574	7030003440	S.RES ERJ3GEYJ 102 V (1K)	T	35.0/14.0
R575	7030003440	S.RES ERJ3GEYJ 102 V (1K)	T	36.2/14.0
R576	7030003440	S.RES ERJ3GEYJ 102 V (1K)	T	37.4/14.0
R577	7030003440	S.RES ERJ3GEYJ 102 V (1K)	T	38.6/14.0
R578	7030003440	S.RES ERJ3GEYJ 102 V (1K)	T	39.8/14.0
R579	7030003440	S.RES ERJ3GEYJ 102 V (1K)	T	41.0/14.0
R580	7030003440	S.RES ERJ3GEYJ 102 V (1K)	T	42.2/14.0
R581	7030003440	S.RES ERJ3GEYJ 102 V (1K)	T	43.4/14.0
R601	7030003860	S.RES ERJ3GE JPW V	T	53.5/68.5
R602	7030003520	S.RES ERJ3GEYJ 472 V (4.7K)	T	53.6/72.3
R603	7030003640	S.RES ERJ3GEYJ 473 V (47K)	T	32.4/45.4
R604	7030003560	S.RES ERJ3GEYJ 103 V (10K)	T	32.4/46.9
R610	7030003440	S.RES ERJ3GEYJ 102 V (1K)	T	23.8/61.1
R611	7030003440	S.RES ERJ3GEYJ 102 V (1K)	T	25.2/54.6
R612	7030003560	S.RES ERJ3GEYJ 103 V (10K)	T	23.0/59.3
R613	7030003560	S.RES ERJ3GEYJ 103 V (10K)	T	23.2/55.8
R614	7030003860	S.RES ERJ3GE JPW V	T	9.4/71.2
R615	7030003860	S.RES ERJ3GE JPW V	T	9.4/70.0
R616	7030003860	S.RES ERJ3GE JPW V	T	9.4/67.6
R617	7030003720	S.RES ERJ3GEYJ 224 V (220K)	T	9.6/73.0
R618	7030003720	S.RES ERJ3GEYJ 224 V (220K)	T	9.4/68.8
R619	7030003720	S.RES ERJ3GEYJ 224 V (220K)	T	9.4/66.4
R651	7030003650	S.RES ERJ3GEYJ 563 V (56K)	T	50.6/73.7
R652	7030003620	S.RES ERJ3GEYJ 333 V (33K)	T	50.6/72.5
R653	7030003520	S.RES ERJ3GEYJ 472 V (4.7K)	T	53.5/66.6
C1	4030011600	S.CER C1608 JB 1E 104K-T	B	89.1/63.1
C8	4030011600	S.CER C1608 JB 1E 104K-T	T	84.4/122.5
C200	4030011600	S.CER C1608 JB 1E 104K-T	T	108.2/58.55
C201	4340000620	S.MYL ECHU 1H 104JX9	T	93.7/36.5
C202	4030019160	S.CER C4520 CH 3F 100FT	T	125.1/37.2
C203	4030007020	S.CER C1608 CH 1H 120J-T	T	50.5/40.0
C204	4030007020	S.CER C1608 CH 1H 120J-T	T	47.9/40.0
C205	4550007370	S.TAN F931V225MBABMA	T	109.1/64.0
C206	4030011600	S.CER C1608 JB 1E 104K-T	T	71.0/60.0
C207	4030011600	S.CER C1608 JB 1E 104K-T	T	32.5/81.1
C208	4030011600	S.CER C1608 JB 1E 104K-T	T	120.8/89.6
C209	4030011600	S.CER C1608 JB 1E 104K-T	T	104.2/89.6
C210	4030011600	S.CER C1608 JB 1E 104K-T	T	100.4/64.6
C211	4030011600	S.CER C1608 JB 1E 104K-T	T	65.9/60.4
C212	4030011600	S.CER C1608 JB 1E 104K-T	T	69.0/67.0
C213	4510009150	S.ELE EEE1EA470WP	T	77.9/52.1
C214	4510008800	S.ELE EEE1EA100SR	T	72.6/68.8
C215	4030011600	S.CER C1608 JB 1E 104K-T	T	101.8/55.2
C216	4030011600	S.CER C1608 JB 1E 104K-T	T	62.4/11.2
C217	4030011600	S.CER C1608 JB 1E 104K-T	T	38.9/79.8
C218	4510009150	S.ELE EEE1EA470WP	T	44.3/77.9
C219	4030006860	S.CER C1608 JB 1H 102K-T	T	40.1/79.8

[DISPLAY UNIT]

REF NO.	PARTS NO.	DESCRIPTION	M.	H/V LOCATION
C220	4550007510	S.TAN F931C106MBABMA	T	104.0/59.4
C221	4030011600	S.CER C1608 JB 1E 104K-T	T	104.6/54.0
C222	4340000330	S.MYL ECHU1H103J	T	90.7/36.6
C223	4340000330	S.MYL ECHU1H103J	T	88.6/36.6
C224	4030011600	S.CER C1608 JB 1E 104K-T	T	48.2/38.2
C231	4030011600	S.CER C1608 JB 1E 104K-T	T	47.6/17.4
C232	4030011600	S.CER C1608 JB 1E 104K-T	T	58.0/31.2
C235	4030011600	S.CER C1608 JB 1E 104K-T	T	50.3/81.1
C241	4030011600	S.CER C1608 JB 1E 104K-T	T	105.5/75.6
C242	4030011600	S.CER C1608 JB 1E 104K-T	T	106.7/75.6
C243	4030011600	S.CER C1608 JB 1E 104K-T	T	104.3/75.6
C244	4030011600	S.CER C1608 JB 1E 104K-T	T	103.1/77.6
C245	4030011600	S.CER C1608 JB 1E 104K-T	T	110.1/87.8
C246	4030011600	S.CER C1608 JB 1E 104K-T	T	110.1/86.6
C247	4030011600	S.CER C1608 JB 1E 104K-T	T	110.1/85.4
C248	4030011600	S.CER C1608 JB 1E 104K-T	T	110.1/84.2
C253	4030011600	S.CER C1608 JB 1E 104K-T	T	127.1/84.6
C254	4030011600	S.CER C1608 JB 1E 104K-T	T	127.1/85.8
C255	4030011600	S.CER C1608 JB 1E 104K-T	T	127.1/87.0
C256	4030011600	S.CER C1608 JB 1E 104K-T	T	127.1/88.2
C501	4030008890	S.CER C1608 JB 1H 273K-T	T	50.7/66.5
C601	4510008800	S.ELE EEE1EA100SR	T	53.7/77.3
C602	4030011600	S.CER C1608 JB 1E 104K-T	T	39.2/41.9
C610	4030006900	S.CER C1608 JB 1H 103K-T	T	8.5/58.0
C611	4030006900	S.CER C1608 JB 1H 103K-T	T	8.5/54.9
C613	4030011600	S.CER C1608 JB 1E 104K-T	T	133.2/55.8
C614	4030006860	S.CER C1608 JB 1H 102K-T	T	28.9/61.2
C615	4030006860	S.CER C1608 JB 1H 102K-T	T	30.2/54.2
C616	4030011600	S.CER C1608 JB 1E 104K-T	T	8.4/77.2
C652	4030011600	S.CER C1608 JB 1E 104K-T	T	50.6/71.3
J1	6510021722	S.CON 30FLT-SM2-TB(LF)(SN)(M)	T	10.7/86.3
J3	6510021722	S.CON 30FLT-SM2-TB(LF)(SN)(M)	T	131.6/65.3
J4	6510021561	S.CON 52808-2470 (2490)	T	30.8/8.8
J5	6510019971	S.CON 52808-1071	T	25.0/90.2
J7	6510019971	S.CON 52808-1071	T	55.5/8.8
J201	6510022472	S.CON 40FLT-SM2-TB(LF)(SN)(M)	T	6.2/28.7
J202	6510022472	S.CON 40FLT-SM2-TB(LF)(SN)(M)	T	11.9/48.5
J203	6510020081	S.CON 52808-2071(2090)	T	44.0/90.1
J301	6510021181	S.CON SM2(8.0)B-BHS1TB(LF)(SN)	T	131.7/38.9
J601	6510021861	CON BH-800.4GG <LTC>		
J610	6510022191	S.CON B3B-PH-SM4-TB(LF)(SN)	T	2.5/56.7
J611	6510022311	S.CON B5B-PH-SM4-TB(LF)(SN)	T	2.5/70.9
T201	5910001050	TRA 3319-T106-LF		
BT601	3020000110	LIT CR-2032L/BK		
EP203	6910014730	S.BEA MPZ2012S331A-T	T	49.4/84.5
EP205	6910014730	S.BEA MPZ2012S331A-T	T	60.9/34.9
EP208	6910014730	S.BEA MPZ2012S331A-T	T	47.6/84.5

M.=Mounted side (T: Mounted on the Top side, B: Mounted on the Bottom side)
S.=Surface mount

[SW-A UNIT]

REF NO.	PARTS NO.	DESCRIPTION	M.	H/V LOCATION
IC1	1130011510	S.IC BU2099FV-E2	B	91.4/47.7
R1	7030003440	S.RES ERJ3GEYJ 102 V (1K)	B	8.5/88.3
R2	7030003380	S.RES ERJ3GEYJ 331 V (330)	B	8.6/87.0
R3	7030003380	S.RES ERJ3GEYJ 331 V (330)	B	8.5/41.5
R4	7030003380	S.RES ERJ3GEYJ 331 V (330)	B	8.5/56.5
R6	7030003400	S.RES ERJ3GEYJ 471 V (470)	B	26.5/37.1
R7	7030003400	S.RES ERJ3GEYJ 471 V (470)	B	38.3/38.0
R8	7030003400	S.RES ERJ3GEYJ 471 V (470)	B	53.9/37.5
R9	7030003400	S.RES ERJ3GEYJ 471 V (470)	B	58.0/37.5
R10	7030003400	S.RES ERJ3GEYJ 471 V (470)	B	73.7/36.7
R11	7030003400	S.RES ERJ3GEYJ 471 V (470)	B	86.3/38.4
R12	7030003400	S.RES ERJ3GEYJ 471 V (470)	B	56.3/81.9
R13	7030003480	S.RES ERJ3GEYJ 222 V (2.2K)	B	9.5/38.4
R14	7030003520	S.RES ERJ3GEYJ 472 V (4.7K)	B	49.9/77.9
R15	7030003480	S.RES ERJ3GEYJ 222 V (2.2K)	B	31.4/37.1
R16	7030003520	S.RES ERJ3GEYJ 472 V (4.7K)	B	47.1/37.1
R17	7030003480	S.RES ERJ3GEYJ 222 V (2.2K)	B	66.4/35.8
R18	7030003520	S.RES ERJ3GEYJ 472 V (4.7K)	B	80.2/38.4
R19	7030003540	S.RES ERJ3GEYJ 682 V (6.8K)	B	89.1/60.7
R20	7030003540	S.RES ERJ3GEYJ 682 V (6.8K)	B	99.3/62.5
R21	7030003540	S.RES ERJ3GEYJ 682 V (6.8K)	B	89.1/64.3
R22	7030003480	S.RES ERJ3GEYJ 222 V (2.2K)	B	101.4/68.9
R23	7030003520	S.RES ERJ3GEYJ 472 V (4.7K)	B	101.6/56.8
R24	7030003480	S.RES ERJ3GEYJ 222 V (2.2K)	B	98.5/32.7
R25	7030003520	S.RES ERJ3GEYJ 472 V (4.7K)	B	100.5/20.8
R26	7030003580	S.RES ERJ3GEYJ 153 V (15K)	B	100.5/8.6
R27	7030003540	S.RES ERJ3GEYJ 682 V (6.8K)	B	99.3/61.3
R28	7030003540	S.RES ERJ3GEYJ 682 V (6.8K)	B	89.1/59.5
R29	7030003580	S.RES ERJ3GEYJ 153 V (15K)	B	54.1/57.2
R30	7030003400	S.RES ERJ3GEYJ 471 V (470)	B	50.0/56.3
R31	7030003720	S.RES ERJ3GEYJ 224 V (220K)	B	86.9/50.1
C1	4030011600	S.CER C1608 JB 1E 104K-T	B	18.2/70.8
C2	4030011600	S.CER C1608 JB 1E 104K-T	B	99.3/63.7
C3	4030011600	S.CER C1608 JB 1E 104K-T	B	89.1/61.9
C4	4030011600	S.CER C1608 JB 1E 104K-T	B	99.3/60.1
C5	4030011600	S.CER C1608 JB 1E 104K-T	B	89.1/58.3
C6	4030011600	S.CER C1608 JB 1E 104K-T	B	52.7/75.2
C7	4030011600	S.CER C1608 JB 1E 104K-T	B	89.8/75.2
C8	4030011600	S.CER C1608 JB 1E 104K-T	B	94.8/70.6
C9	4030011600	S.CER C1608 JB 1E 104K-T	B	94.6/51.9
C10	4030011600	S.CER C1608 JB 1E 104K-T	B	40.6/26.5
C11	4030011600	S.CER C1608 JB 1E 104K-T	B	63.2/28.3
C12	4030011600	S.CER C1608 JB 1E 104K-T	B	90.4/51.9
J1	6510020091	S.CON 52808-0871(0890)	B	46.7/70.7
J2	6510020091	S.CON 52808-0871(0890)	B	83.7/70.7
J3	6510021722	S.CON 30FLT-SM2-TB(LF)(SN)(M)	B	94.4/61.2
J4	6510020091	S.CON 52808-0871(0890)	B	56.1/27.6
J5	6510020091	S.CON 52808-0871(0890)	B	34.2/27.6
DS5	5040002980	S.LED SML-512DW-T86	T	8.5/87.7
DS6	5040002930	S.LED SML-512MW T86	T	8.5/86.4
DS7	5040002930	S.LED SML-512MW T86	T	8.5/41.5
DS8	5040002930	S.LED SML-512MW T86	T	26.3/38.2
DS9	5040002930	S.LED SML-512MW T86	T	37.8/38.2
DS10	5040002930	S.LED SML-512MW T86	T	49.3/38.2
DS11	5040002930	S.LED SML-512MW T86	T	63.3/38.2
DS12	5040002930	S.LED SML-512MW T86	T	56.3/81.9
DS13	5040002930	S.LED SML-512MW T86	T	74.8/38.2
DS14	5040002930	S.LED SML-512MW T86	T	86.3/38.2
DS16	5040002930	S.LED SML-512MW T86	T	8.5/56.5
DS17	5040002930	S.LED SML-512MW T86	T	56.3/53.9
S1	2260002740	S.SWI LS8J2M-T	T	9.8/77.2
S2	2260002740	S.SWI LS8J2M-T	T	8.3/62.5
S3	2260002740	S.SWI LS8J2M-T	T	8.3/48.8
S4	2260002740	S.SWI LS8J2M-T	T	8.3/35.1
S5	2260002740	S.SWI LS8J2M-T	T	37.6/33.1
S6	2260002740	S.SWI LS8J2M-T	T	26.1/33.1
S7	2260002740	S.SWI LS8J2M-T	T	49.1/33.1
S8	2260002740	S.SWI LS8J2M-T	T	63.1/33.1
S11	2260002740	S.SWI LS8J2M-T	T	56.1/75.5
S12	2260002740	S.SWI LS8J2M-T	T	74.6/33.1
S13	2260002740	S.SWI LS8J2M-T	T	86.1/33.1
S14	2260002740	S.SWI LS8J2M-T	T	100.8/82.7
S15	2260002740	S.SWI LS8J2M-T	T	100.8/70.7
S16	2260002740	S.SWI LS8J2M-T	T	100.8/58.7
S17	2260002740	S.SWI LS8J2M-T	T	100.8/46.7
S18	2260002740	S.SWI LS8J2M-T	T	100.8/34.7
S19	2260002740	S.SWI LS8J2M-T	T	100.8/22.7
S20	2260002740	S.SWI LS8J2M-T	T	100.8/10.7
S21	2260002740	S.SWI LS8J2M-T	T	56.1/47.5

[SW-B UNIT]

REF NO.	PARTS NO.	DESCRIPTION	M.	H/V LOCATION
J2	6510021561	S.CON 52808-2470 (2490)	B	118.7/19.8
S1	2260002740	S.SWI LS8J2M-T	T	23.5/24.8
S2	2260002740	S.SWI LS8J2M-T	T	45.5/24.8
S3	2260002740	S.SWI LS8J2M-T	T	67.5/24.8
S4	2260002740	S.SWI LS8J2M-T	T	89.5/24.8
S5	2260002740	S.SWI LS8J2M-T	T	111.5/24.8
S6	2260002740	S.SWI LS8J2M-T	T	133.5/24.8
S7	2260002740	S.SWI LS8J2M-T	T	155.5/24.8
S8	2260002740	S.SWI LS8J2M-T	T	23.5/15.4
S9	2260002740	S.SWI LS8J2M-T	T	45.5/15.4
S10	2260002740	S.SWI LS8J2M-T	T	67.5/15.4
S11	2260002740	S.SWI LS8J2M-T	T	89.5/15.4
S12	2260002740	S.SWI LS8J2M-T	T	111.5/15.4
S13	2260002740	S.SWI LS8J2M-T	T	133.5/15.4
S14	2260002740	S.SWI LS8J2M-T	T	155.5/15.4
S15	2260002740	S.SWI LS8J2M-T	T	14.2/2.7
S16	2260002740	S.SWI LS8J2M-T	T	35.7/2.7
S17	2260002740	S.SWI LS8J2M-T	T	57.2/2.7
S18	2260002740	S.SWI LS8J2M-T	T	78.7/2.7
S19	2260002740	S.SWI LS8J2M-T	T	100.2/2.7
S20	2260002740	S.SWI LS8J2M-T	T	123.8/2.7
S21	2260002740	S.SWI LS8J2M-T	T	147.8/2.7
S22	2260002740	S.SWI LS8J2M-T	T	168.1/2.7

M.=Mounted side (T: Mounted on the Top side, B: Mounted on the Bottom side)
S.=Surface mount

[SW-C UNIT]

REF NO.	PARTS NO.	DESCRIPTION	M.	H/V LOCATION
R3	7030003580	S.RES ERJ3GEYJ 153 V (15K)	B	4.7/17.9
R13	7030003480	S.RES ERJ3GEYJ 222 V (2.2K)	B	4.7/50.2
R14	7030003520	S.RES ERJ3GEYJ 472 V (4.7K)	B	4.7/44.5
R18	7030003480	S.RES ERJ3GEYJ 222 V (2.2K)	B	32.8/38.7
R19	7030003400	S.RES ERJ3GEYJ 471 V (470)	B	30.6/40.9
R20	7030003520	S.RES ERJ3GEYJ 472 V (4.7K)	B	51.1/38.7
R21	7030003400	S.RES ERJ3GEYJ 471 V (470)	B	48.5/40.5
R22	7030003400	S.RES ERJ3GEYJ 471 V (470)	B	68.8/40.2
R31	7030003540	S.RES ERJ3GEYJ 682 V (6.8K)	B	5.4/40.7
R32	7030003540	S.RES ERJ3GEYJ 682 V (6.8K)	B	5.4/38.1
C5	4030011600	S.CER C1608 JB 1E 104K-T	B	14.3/39.2
C31	4030011600	S.CER C1608 JB 1E 104K-T	B	6.2/46.3
C32	4030011600	S.CER C1608 JB 1E 104K-T	B	6.5/35.5
J3	6510021561	S.CON 52808-2470 (2490)	B	10.4/50.5
J5	6510020091	S.CON 52808-0871(0890)	B	27.2/34.2
J6	6510020091	S.CON 52808-0871(0890)	B	67.2/34.2
DS1	5040002930	S.LED SML-512MW T86	T	30.8/42.4
DS2	5040002930	S.LED SML-512MW T86	T	51.8/42.4
DS3	5040002930	S.LED SML-512MW T86	T	72.8/42.4
S23	2260002740	S.SWI LS8J2M-T	T	10.6/59.9
S24	2260002740	S.SWI LS8J2M-T	T	10.6/49.7
S25	2260002740	S.SWI LS8J2M-T	T	10.6/34.9
S26	2260002740	S.SWI LS8J2M-T	T	8.4/2.2
S27	2260002740	S.SWI LS8J2M-T	T	28.3/59.9
S28	2260002740	S.SWI LS8J2M-T	T	28.3/49.7
S29	2260002740	S.SWI LS8J2M-T	T	30.5/34.9
S30	2260002740	S.SWI LS8J2M-T	T	43.8/59.9
S31	2260002740	S.SWI LS8J2M-T	T	43.8/49.7
S32	2260002740	S.SWI LS8J2M-T	T	51.5/34.9
S33	2260002740	S.SWI LS8J2M-T	T	59.3/59.9
S34	2260002740	S.SWI LS8J2M-T	T	59.3/49.7
S35	2260002740	S.SWI LS8J2M-T	T	72.5/34.9
S36	2260002740	S.SWI LS8J2M-T	T	74.8/59.9
S37	2260002740	S.SWI LS8J2M-T	T	74.8/49.7

[TENKEY UNIT]

REF NO.	PARTS NO.	DESCRIPTION	M.	H/V LOCATION
R1	7030003540	S.RES ERJ3GEYJ 682 V (6.8K)	B	16.4/36.6
R3	7030003540	S.RES ERJ3GEYJ 682 V (6.8K)	B	14.7/28.8
R4	7030003480	S.RES ERJ3GEYJ 222 V (2.2K)	B	13.8/67.9
R5	7030003520	S.RES ERJ3GEYJ 472 V (4.7K)	B	13.8/60.1
R6	7030003580	S.RES ERJ3GEYJ 153 V (15K)	B	13.8/54.1
R8	7030003540	S.RES ERJ3GEYJ 682 V (6.8K)	B	15.8/67.3
R9	7030003480	S.RES ERJ3GEYJ 222 V (2.2K)	B	18.5/37.2
R10	7030003480	S.RES ERJ3GEYJ 222 V (2.2K)	B	15.3/25.4
R11	7030003480	S.RES ERJ3GEYJ 222 V (2.2K)	B	31.3/69.8
R12	7030003520	S.RES ERJ3GEYJ 472 V (4.7K)	B	31.3/60.1
R13	7030003580	S.RES ERJ3GEYJ 153 V (15K)	B	31.3/50.5
R14	7030003540	S.RES ERJ3GEYJ 682 V (6.8K)	B	29.2/71.8
R15	7030003520	S.RES ERJ3GEYJ 472 V (4.7K)	B	43.6/36.4
R16	7030003520	S.RES ERJ3GEYJ 472 V (4.7K)	B	43.6/26.9
R17	7030003480	S.RES ERJ3GEYJ 222 V (2.2K)	B	48.8/69.8
R18	7030003520	S.RES ERJ3GEYJ 472 V (4.7K)	B	48.8/59.7
R19	7030003580	S.RES ERJ3GEYJ 153 V (15K)	B	48.8/50.1
R20	7030003540	S.RES ERJ3GEYJ 682 V (6.8K)	B	46.7/71.8
C1	4030011600	S.CER C1608 JB 1E 104K-T	B	11.9/39.3
C2	4030011600	S.CER C1608 JB 1E 104K-T	B	47.8/17.6
C3	4030011600	S.CER C1608 JB 1E 104K-T	B	18.5/35.9
C4	4030011600	S.CER C1608 JB 1E 104K-T	B	15.3/24.1
C5	4030011600	S.CER C1608 JB 1E 104K-T	B	19.2/14.9
C6	4030011600	S.CER C1608 JB 1E 104K-T	B	15.8/68.6
C7	4030011600	S.CER C1608 JB 1E 104K-T	B	29.2/70.5
C8	4030011600	S.CER C1608 JB 1E 104K-T	B	46.7/70.5
J1	6510021722	S.CON 30FLT-SM2-TB(LF)(SN)(M)	B	21.6/63.6
J3	6510021561	S.CON 52808-2470 (2490)	B	46.2/11.8
S1	2260002740	S.SWI LS8J2M-T	T	16.2/74.2
S2	2260002740	S.SWI LS8J2M-T	T	16.2/64.7
S3	2260002740	S.SWI LS8J2M-T	T	16.2/55.2
S4	2260002740	S.SWI LS8J2M-T	T	16.2/45.7
S5	2260002740	S.SWI LS8J2M-T	T	16.2/32.5
S6	2260002740	S.SWI LS8J2M-T	T	16.2/23.0
S7	2260002740	S.SWI LS8J2M-T	T	21.2/12.1
S8	2260002740	S.SWI LS8J2M-T	T	33.7/74.2
S9	2260002740	S.SWI LS8J2M-T	T	33.7/64.7
S10	2260002740	S.SWI LS8J2M-T	T	33.7/55.2
S11	2260002740	S.SWI LS8J2M-T	T	33.7/45.7
S12	2260002740	S.SWI LS8J2M-T	T	33.7/32.5
S13	2260002740	S.SWI LS8J2M-T	T	33.7/23.0
S14	2260002740	S.SWI LS8J2M-T	T	51.2/74.2
S15	2260002740	S.SWI LS8J2M-T	T	51.2/64.7
S16	2260002740	S.SWI LS8J2M-T	T	51.2/55.2
S17	2260002740	S.SWI LS8J2M-T	T	51.2/45.7
S18	2260002740	S.SWI LS8J2M-T	T	51.2/32.5
S19	2260002740	S.SWI LS8J2M-T	T	51.2/23.0
S20	2260002740	S.SWI LS8J2M-T	T	46.2/12.1

M.=Mounted side (T: Mounted on the Top side, B: Mounted on the Bottom side)
S.=Surface mount

[JACK UNIT]

REF NO.	PARTS NO.	DESCRIPTION	M.	H/V LOCATION
R1	7030006060	S.RES ERJ12YJ100U (10)	B	16.0/9.5
R2	7030006060	S.RES ERJ12YJ100U (10)	B	16.0/13.3
C1	4030006860	S.CER C1608 JB 1H 102K-T	B	14.6/20.1
C2	4030006860	S.CER C1608 JB 1H 102K-T	B	13.0/34.0
C3	4030006860	S.CER C1608 JB 1H 102K-T	B	13.0/32.0
C4	4030006860	S.CER C1608 JB 1H 102K-T	B	11.5/43.4
C5	4030006860	S.CER C1608 JB 1H 102K-T	B	13.0/36.0
C6	4030006860	S.CER C1608 JB 1H 102K-T	B	13.0/30.0
C7	4030006860	S.CER C1608 JB 1H 102K-T	B	13.0/28.0
J4	6510023590	CON HSJ2000-01-010		
J5	6450001440	CON HSJ1403-01-010		
J6	6450001440	CON HSJ1403-01-010		
J7	6510023761	S.CON S10B-PH-SM4-TB(LF)(SN)	B	3.8/33.0
J8	6510021601	S.CON S2B-PH-SM4-TB(LF)(SN)	B	3.8/53.3
EP2	6910014730	S.BEA MPZ2012S331A-T	B	16.3/52.6
EP3	6910014730	S.BEA MPZ2012S331A-T	B	16.3/50.8
EP4	6910014730	S.BEA MPZ2012S331A-T	B	16.3/40.8
EP5	6910014730	S.BEA MPZ2012S331A-T	B	16.3/38.6
EP6	6910014730	S.BEA MPZ2012S331A-T	B	17.5/21.2
EP7	6910014730	S.BEA MPZ2012S331A-T	B	14.5/21.2

[LED UNIT]

REF NO.	PARTS NO.	DESCRIPTION	M.	H/V LOCATION
R4	7030003390	S.RES ERJ3GEYJ 391 V (390)	T	79.1/14.8
R7	7030003470	S.RES ERJ3GEYJ 182 V (1.8K)	T	139.3/13.9
R8	7030003470	S.RES ERJ3GEYJ 182 V (1.8K)	T	147.3/14.0
J1	6510020711	S.CON 52793-1070(1090)	T	111.3/2.9
DS4	5040002961	S.LED SML-A12MT T86J	T	75.0/17.0
DS5	5040002961	S.LED SML-A12MT T86J	T	77.6/17.0
DS7	5040003011	S.LED SML-A12WT T86J	T	135.3/16.0
DS8	5040003011	S.LED SML-A12WT T86J	T	147.3/16.0

M.=Mounted side (T: Mounted on the Top side, B: Mounted on the Bottom side)
S.=Surface mount

[SENSOR UNIT]

REF NO.	PARTS NO.	DESCRIPTION	M.	H/V LOCATION
IC1	1170000360	S.PHO CPI250-T	T	11.4/6.4
IC2	1170000410	S.PHO CPI-210-T	T	11.4/14.8
IC3	1130010731	S.IC SN74AHC2G14HDCT3	B	12.3/18.3
R1	7030003380	S.RES ERJ3GEYJ 331 V (330)	B	8.5/9.2
R2	7030003380	S.RES ERJ3GEYJ 331 V (330)	B	8.5/11.8
R3	7030003440	S.RES ERJ3GEYJ 102 V (1K)	B	11.7/6.0
R4	7030003440	S.RES ERJ3GEYJ 102 V (1K)	B	16.5/14.0
R5	7310004610	S.TRI EVM-2WSX80 B15 (104)	B	11.1/8.0
R6	7310004610	S.TRI EVM-2WSX80 B15 (104)	B	13.9/13.9
R7	7030003440	S.RES ERJ3GEYJ 102 V (1K)	B	15.8/6.0
R8	7310004610	S.TRI EVM-2WSX80 B15 (104)	B	15.2/8.0
R9	7030003440	S.RES ERJ3GEYJ 102 V (1K)	B	10.7/14.8
R10	7030003440	S.RES ERJ3GEYJ 102 V (1K)	B	11.5/11.9
R11	7030003440	S.RES ERJ3GEYJ 102 V (1K)	B	15.3/17.4
C1	4030011600	S.CER C1608 JB 1E 104K-T	T	14.9/25.8
W1	8900015710	CAB OPC-1604		

[VR-A UNIT]

REF NO.	PARTS NO.	DESCRIPTION	M.	H/V LOCATION
R2	7030003520	S.RES ERJ3GEYJ 472 V (4.7K)	T	14.9/22.3
R4	7210003170	VAR RV-318 (RK09L1120CON)		
C1	4030006860	S.CER C1608 JB 1H 102K-T	T	14.9/25.8
C2	4030006860	S.CER C1608 JB 1H 102K-T	T	6.4/22.5
C3	4030006860	S.CER C1608 JB 1H 102K-T	T	13.6/22.3
J1	6510020091	S.CON 52808-0871(0890)	T	10.0/22.5
S1	2250000440	ENC TP90N00E20-22.5F-2494		

M.=Mounted side (T: Mounted on the Top side, B: Mounted on the Bottom side)
S.=Surface mount

[VR-B UNIT]

REF NO.	PARTS NO.	DESCRIPTION	M.	H/V LOCATION
R2	7030003520	S.RES ERJ3GEYJ 472 V (4.7K)	T	14.9/22.3
R4	7210003170	VAR RV-318 (RK09L1120CON)		
C1	4030006860	S.CER C1608 JB 1H 102K-T	T	10.1/33.7
C2	4030006860	S.CER C1608 JB 1H 102K-T	T	6.4/22.5
C3	4030006860	S.CER C1608 JB 1H 102K-T	T	13.6/22.3
J1	6510020091	S.CON 52808-0871(0890)	T	10.0/22.5
S1	2250000440	ENC TP90N00E20-22.5F-2494		

[VR-C UNIT]

REF NO.	PARTS NO.	DESCRIPTION	M.	H/V LOCATION
R1	7210002970	VAR RV-314(RK0972210 10KB/10KB)		
R2	7210002970	VAR RV-314(RK0972210 10KB/10KB)		
R3	7030003520	S.RES ERJ3GEYJ 472 V (4.7K)	T	10.1/35.0
R4	7030003520	S.RES ERJ3GEYJ 472 V (4.7K)	T	10.1/32.4
R5	7030003520	S.RES ERJ3GEYJ 472 V (4.7K)	T	10.1/27.1
R6	7030003520	S.RES ERJ3GEYJ 472 V (4.7K)	T	10.1/25.8
C1	4030006860	S.CER C1608 JB 1H 102K-T	T	12.9/18.1
C2	4030006860	S.CER C1608 JB 1H 102K-T	T	10.1/31.1
C3	4030006860	S.CER C1608 JB 1H 102K-T	T	10.1/28.4
C4	4030006860	S.CER C1608 JB 1H 102K-T	T	10.1/24.5
J2	6510020091	S.CON 52808-0871(0890)	T	15.3/46.4

M.=Mounted side (T: Mounted on the Top side, B: Mounted on the Bottom side)
S.=Surface mount

[VR-D UNIT]

REF NO.	PARTS NO.	DESCRIPTION	M.	H/V LOCATION
R1	7210002970	VAR RV-314(RK0972210 10KB/10KB)		
R2	7210002970	VAR RV-314(RK0972210 10KB/10KB)		
R3	7030003520	S.RES ERJ3GEYJ 472 V (4.7K)	T	12.9/16.8
R4	7030003520	S.RES ERJ3GEYJ 472 V (4.7K)	T	12.9/15.5
R5	7030003520	S.RES ERJ3GEYJ 472 V (4.7K)	T	10.1/24.7
R6	7030003520	S.RES ERJ3GEYJ 472 V (4.7K)	T	10.1/28.0
C1	4030006860	S.CER C1608 JB 1H 102K-T	T	4.8/2.9
C2	4030006860	S.CER C1608 JB 1H 102K-T	T	12.9/14.2
C3	4030006860	S.CER C1608 JB 1H 102K-T	T	10.1/26.0
C4	4030006860	S.CER C1608 JB 1H 102K-T	T	10.1/29.3
J2	6510020091	S.CON 52808-0871(0890)	T	14.8/24.5

[VR-E UNIT]

REF NO.	PARTS NO.	DESCRIPTION	M.	H/V LOCATION
C1	4030006860	S.CER C1608 JB 1H 102K-T	T	15.5/14.9
C2	4030006860	S.CER C1608 JB 1H 102K-T	T	2.3/14.2
C3	4030006860	S.CER C1608 JB 1H 102K-T	T	9.8/2.9
C4	4030006860	S.CER C1608 JB 1H 102K-T	T	16.0/14.9
J1	6510020091	S.CON 52808-0871(0890)	T	14.9/8.5
S1	2250000410	ENC TP90D96E20-30F-2178-1		

M.=Mounted side (T: Mounted on the Top side, B: Mounted on the Bottom side)
S.=Surface mount

[VR-F UNIT]

REF NO.	PARTS NO.	DESCRIPTION	M.	H/V LOCATION
R1	7030003520	S.RES ERJ3GEYJ 472 V (4.7K)	T	12.8/2.1
R2	7030003520	S.RES ERJ3GEYJ 472 V (4.7K)	T	12.8/14.9
R3	7210002970	VAR RV-314(RK0972210 10KB/10KB)		
C1	4030006860	S.CER C1608 JB 1H 102K-T	B	59.5/15.0
C2	4030006860	S.CER C1608 JB 1H 102K-T	T	15.5/2.1
J1	6510020091	S.CON 52808-0871(0890)	T	15.0/8.5

[MAIN UNIT]

REF NO.	PARTS NO.	DESCRIPTION	M.	H/V LOCATION
IC101	1180000720	S.IC AN79L05M-(E1)	T	14.5/41.6
IC201	1130013370	S.IC HD74LV2GT34AUSE-E	T	28.5/69.7
IC202	1130006891	S.IC TC7S04FU(TE85RF)	T	10.9/66.8
IC203	1140007881	S.IC TC190G08EFG0046JDZ/SC1246A	T	27.8/56.8
IC1002	1130012610	S.IC SN74AHC1GU04DCKR	T	70/86.8
IC1004	1130012600	S.IC SN74AHC1G04DCKR	T	92.75/63.3
IC1005	1140012211	S.IC TMS320C6713BZDP225	B	75.5/76.6
IC1006	1130013743	S.IC AT29LV040A-15TU(RX-2844D-3) 1	T	54.0/76.8
IC1076	1110006411	S.IC R3111N111A-TR-F	T	76.8/91.6
IC1301	1130013110	S.IC KIC7W53FK-RTK/P	B	101.6/16.7
IC1302	1110006100	S.IC NJM5534MD-TE1-#ZZZB	B	110.6/10.5
IC1304	1110006100	S.IC NJM5534MD-TE1-#ZZZB	B	101.3/26.5
IC1305	1110006100	S.IC NJM5534MD-TE1-#ZZZB	B	112.5/26.8
IC1331	1110005100	S.IC NJM072BM-TE1-#ZZZB	B	123.0/14.3
IC1332	1130013110	S.IC KIC7W53FK-RTK/P	B	122.5/23.2
IC1351	1110006111	S.IC AK5394AVSP/P	B	103.4/42.1
IC1353	1130006891	S.IC TC7S04FU(TE85RF)	B	71.5/50.5
IC1355	1130012610	S.IC SN74AHC1GU04DCKR	B	71.5/46.1
IC1401	1130012580	S.IC AK4355-VF-E2	B	83.2/50.1
IC1421	1110005420	S.IC BA15532F-E2	B	79.9/30.0
IC1471	1110005420	S.IC BA15532F-E2	B	90.2/30.1
IC1601	1180002650	S.REG SI-3012KS-TL	B	64.9/95.0
IC2001	1180002650	S.REG SI-3012KS-TL	B	121.4/95.3
IC2051	1180003030	S.REG S-812C25AUA-C2FT2G	B	126.3/38.3
IC2201	1110006580	S.IC AD8007AKSZ <FE>	T	121.7/42.0
IC2301	1190002031	S.IC AD7650ASTZ <FE>	B	118.5/53.0
IC2302	1130006891	S.IC TC7S04FU(TE85RF)	B	125.4/52.5
IC2351	1130008041	S.IC TC7SH04FU(TE85LJF)	B	125.3/49.8
IC2402	1110006411	S.IC R3111N111A-TR-F	T	105.8/61.8
IC2403	1140012221	S.IC TMS320C6711DZDP200	B	119.5/76.5
IC2404	1130015330	S.IC A29L040V-70UF(RX-2844E)	T	98.0/76.8
IC2451	1130011930	S.IC SN74LVC1G04DCKR	T	132.0/59.6
IC2452	1130011930	S.IC SN74LVC1G04DCKR	T	132.1/55.4
IC3101	1140007881	S.IC TC190G08EFG0046JDZ/SC1246A	T	33.0/35.5
IC3131	1130006891	S.IC TC7S04FU(TE85RF)	T	40.7/24.4
IC3221	1110003201	S.IC TA31136FNG(EL)	T	10.1/41.1
IC3222	1120002830	S.IC NJM2125F-TE1-#FZZB	T	18.8/48.7
IC3251	1130012850	S.IC SN74LVC3G34DCUR	T	40.0/95.0
IC3271	1110005610	S.IC NJM2058V-TE1-#ZZZB	B	13.1/71.2
IC3321	1130013110	S.IC KIC7W53FK-RTK/P	B	84.2/17.2
IC3322	1130013110	S.IC KIC7W53FK-RTK/P	B	92.5/17.2
IC3323	1130013110	S.IC KIC7W53FK-RTK/P	B	76.9/17.2
IC3324	1130013370	S.IC HD74LV2GT34AUSE-E	T	35.5/22.1
Q201	1590003940	S.TRA RN1105(TE85LF)	B	68.1/37.1
Q1001	1590003940	S.TRA RN1105(TE85LF)	B	90.2/56.6
Q3141	1590003940	S.TRA RN1105(TE85LF)	B	23.3/34.7
Q3221	1510000510	S.TRA 2SA1576A T106R	T	17.5/55.5
Q3321	1590003940	S.TRA RN1105(TE85LF)	B	81.7/18.5
Q3322	1590003940	S.TRA RN1105(TE85LF)	B	90.0/18.5
Q3323	1590003940	S.TRA RN1105(TE85LF)	B	74.4/18.5
D1602	1710000840	S.DIO 1SR154-400 TE25	B	59.2/95.0
D2001	1710000840	S.DIO 1SR154-400 TE25	B	115.6/95.3
FI1001	2040000790	S.LC EXCCET103U	B	90.5/73.4
FI2401	2040000790	S.LC EXCCET103U	B	127.6/59.3
FI3201	2020001810	S.CER SFECV10M7FA00-R0 (SFECV10.7MA5S)	T	11.1/27.7
FI3221	2020002250	CER LT450EW <JJE>		
X1001	6050011660	S.XTA CR-754 SMD-49 30.000 MHz <KDS>	B	94.3/60.7
L201	6200001831	S.COI NLV32T-100J	B	62.8/43.8
L301	6200003711	S.COI NLV25T-2R7J	B	68.1/22.3
L302	6200002981	S.COI NLV32T-R56J	B	73.7/26.2
L303	6200003041	S.COI NLV32T-R68J	B	72.8/31.4
L304	6200003051	S.COI NLV32T-R82J	B	70.7/37.6
L1001	6180003501	S.COI SLF6028T-100M1R3-PF	T	71.8/95.0
L2301	6200001831	S.COI NLV32T-100J	T	110.0/56.2
L2302	6200001831	S.COI NLV32T-100J	T	114.7/45.4
L2481	6180003501	S.COI SLF6028T-100M1R3-PF	T	124.5/94.0
L2482	6200001831	S.COI NLV32T-100J	B	99.3/58.8
L3101	6200001831	S.COI NLV32T-100J	B	29.2/25.6
L3151	6200003091	S.COI NLV32T-2R7J	B	20.7/50.0
L3152	6200003061	S.COI NLV32T-1R2J	B	21.7/38.1
L3153	6200003061	S.COI NLV32T-1R2J	B	19.9/34.6
L3201	6200010970	S.COI C2520C-1R8G-A(1.8U)	T	11.1/21.8
L3221	6200002041	S.COI NLV25T-101J	T	17.3/39.8
L3222	6200003151	S.COI NLV32T-180J	T	9.3/33.6
R1	7030003370	S.RES ERJ3GEYJ 271 V (270)	B	53.3/17.5
R2	7030003320	S.RES ERJ3GEYJ 180 V (18)	B	53.9/19.5
R3	7030003370	S.RES ERJ3GEYJ 271 V (270)	B	54.6/17.5
R21	7030003860	S.RES ERJ3GE JPW V	T	103.6/26.7
R41	7030003860	S.RES ERJ3GE JPW V	B	89.8/9.4
R42	7030003860	S.RES ERJ3GE JPW V	B	85.9/9.4
R61	7030003320	S.RES ERJ3GEYJ 101 V (100)	T	110.7/93.1
R62	7030003320	S.RES ERJ3GEYJ 101 V (100)	T	110.7/91.8
R63	7030003320	S.RES ERJ3GEYJ 101 V (100)	T	108.0/91.3
R64	7030003320	S.RES ERJ3GEYJ 101 V (100)	T	106.7/91.3
R65	7030003320	S.RES ERJ3GEYJ 101 V (100)	T	105.4/91.3
R66	7030003320	S.RES ERJ3GEYJ 101 V (100)	T	104.1/91.3
R67	7030003320	S.RES ERJ3GEYJ 101 V (100)	T	102.8/91.3
R68	7030003320	S.RES ERJ3GEYJ 101 V (100)	T	101.5/91.3
R69	7030003320	S.RES ERJ3GEYJ 101 V (100)	T	100.2/91.3
R70	7030003320	S.RES ERJ3GEYJ 101 V (100)	T	98.9/91.3
R71	7030003320	S.RES ERJ3GEYJ 101 V (100)	T	97.6/91.3

M.=Mounted side (T: Mounted on the Top side, B: Mounted on the Bottom side)
S.=Surface mount

[MAIN UNIT]

REF NO.	PARTS NO.	DESCRIPTION	M.	H/V LOCATION
R72	7030003320	S.RES ERJ3GEYJ 101 V (100)	T	96.3/91.3
R73	7030003320	S.RES ERJ3GEYJ 101 V (100)	T	95.0/91.3
R74	7030003860	S.RES ERJ3GE JPW V	T	93.7/91.3
R75	7030003320	S.RES ERJ3GEYJ 101 V (100)	B	108.8/96.3
R76	7030003320	S.RES ERJ3GEYJ 101 V (100)	B	107.5/96.3
R77	7030003320	S.RES ERJ3GEYJ 101 V (100)	B	106.2/96.3
R78	7030003320	S.RES ERJ3GEYJ 101 V (100)	B	104.9/96.3
R79	7030003320	S.RES ERJ3GEYJ 101 V (100)	B	103.6/96.3
R80	7030003320	S.RES ERJ3GEYJ 101 V (100)	B	102.3/96.3
R81	7030003320	S.RES ERJ3GEYJ 101 V (100)	B	101.0/96.3
R82	7030003320	S.RES ERJ3GEYJ 101 V (100)	B	99.7/96.3
R83	7030003320	S.RES ERJ3GEYJ 101 V (100)	B	98.4/96.3
R84	7030003320	S.RES ERJ3GEYJ 101 V (100)	B	97.1/96.3
R85	7030003320	S.RES ERJ3GEYJ 101 V (100)	B	95.8/96.3
R86	7030003860	S.RES ERJ3GE JPW V	B	94.5/96.3
R87	7030003860	S.RES ERJ3GE JPW V	B	93.2/96.3
R91	7030003860	S.RES ERJ3GE JPW V	T	117.6/38.5
R201	7030003320	S.RES ERJ3GEYJ 101 V (100)	B	48.1/36.6
R202	7030003800	S.RES ERJ3GEYJ 105 V (1M)	B	52.4/44.2
R203	7030003440	S.RES ERJ3GEYJ 102 V (1K)	B	65.5/35.7
R204	7030003360	S.RES ERJ3GEYJ 221 V (220)	B	57.9/43.5
R205	7030003440	S.RES ERJ3GEYJ 102 V (1K)	B	56.6/43.5
R206	7030003440	S.RES ERJ3GEYJ 102 V (1K)	B	55.3/43.5
R207	7030003520	S.RES ERJ3GEYJ 472 V (4.7K)	B	64.7/33.2
R208	7030007220	S.RES ERA3YED 202V (2K)	T	51.8/20.8
R209	7030007220	S.RES ERA3YED 202V (2K)	T	51.8/23.4
R210	7030007220	S.RES ERA3YED 202V (2K)	T	53.1/23.4
R211	7030007230	S.RES ERA3YED 102V (1K)	T	53.1/20.8
R212	7030007220	S.RES ERA3YED 202V (2K)	T	54.4/23.4
R213	7030007230	S.RES ERA3YED 102V (1K)	T	54.4/20.8
R214	7030007220	S.RES ERA3YED 202V (2K)	T	55.7/23.4
R215	7030007230	S.RES ERA3YED 102V (1K)	T	55.7/20.8
R216	7030007220	S.RES ERA3YED 202V (2K)	T	57.0/23.4
R217	7030007230	S.RES ERA3YED 102V (1K)	T	57.0/20.8
R218	7030007220	S.RES ERA3YED 202V (2K)	T	58.3/23.4
R219	7030007230	S.RES ERA3YED 102V (1K)	T	58.3/20.8
R220	7030007220	S.RES ERA3YED 202V (2K)	T	59.6/23.4
R221	7030007230	S.RES ERA3YED 102V (1K)	T	59.6/20.8
R222	7030007200	S.RES ERA3YEB 202V (2K)	T	60.9/23.4
R223	7030007210	S.RES ERA3YEB 102V (1K)	T	60.9/20.8
R224	7030007200	S.RES ERA3YEB 202V (2K)	T	62.2/23.4
R225	7030007210	S.RES ERA3YEB 102V (1K)	T	62.2/20.8
R226	7030007200	S.RES ERA3YEB 202V (2K)	T	63.5/23.4
R227	7030007210	S.RES ERA3YEB 102V (1K)	T	63.5/20.8
R228	7030007200	S.RES ERA3YEB 202V (2K)	T	64.8/23.4
R229	7030007210	S.RES ERA3YEB 102V (1K)	T	64.8/20.8
R230	7030007200	S.RES ERA3YEB 202V (2K)	T	66.1/23.4
R231	7030007210	S.RES ERA3YEB 102V (1K)	T	66.1/20.8
R301	7030003370	S.RES ERJ3GEYJ 271 V (270)	B	72.7/40.7
R302	7030003230	S.RES ERJ3GEYJ 180 V (18)	B	74.0/40.7
R303	7030003370	S.RES ERJ3GEYJ 271 V (270)	B	73.2/42.7
R1001	7030003320	S.RES ERJ3GEYJ 101 V (100)	T	90.7/57.9
R1002	7030003800	S.RES ERJ3GEYJ 105 V (1M)	T	95.0/60.4
R1003	7030003320	S.RES ERJ3GEYJ 101 V (100)	T	90.6/61.4
R1006	7030003560	S.RES ERJ3GEYJ 103 V (10K)	T	82.6/80.6
R1007	7030003560	S.RES ERJ3GEYJ 103 V (10K)	T	89.2/83.5
R1008	7030003440	S.RES ERJ3GEYJ 102 V (1K)	T	85.5/90.4
R1009	7030003640	S.RES ERJ3GEYJ 473 V (47K)	B	84.4/91.2
R1010	7030003860	S.RES ERJ3GE JPW V	T	79.3/89.9
R1011	7030003560	S.RES ERJ3GEYJ 103 V (10K)	T	82.6/78.0
R1012	7030003560	S.RES ERJ3GEYJ 103 V (10K)	T	72.7/69.5
R1013	7030003560	S.RES ERJ3GEYJ 103 V (10K)	T	70.6/61.6
R1014	7030003560	S.RES ERJ3GEYJ 103 V (10K)	T	74.0/69.5
R1015	7030003560	S.RES ERJ3GEYJ 103 V (10K)	T	83.1/61.6
R1100	7030004040	S.RES ERJ3GEYJ 4R7 V (4.7)	T	53.2/58.0
R1101	7030003520	S.RES ERJ3GEYJ 472 V (4.7K)	T	67.6/57.1
R1104	7030003520	S.RES ERJ3GEYJ 472 V (4.7K)	T	67.6/55.2
R1303	7030003640	S.RES ERJ3GEYJ 473 V (47K)	B	104.5/16.6
R1304	7030009591	S.RES ERA3YED 472V (4.7K)	B	103.4/13.3
R1305	7030009591	S.RES ERA3YED 472V (4.7K)	B	110.5/14.2
R1306	7030003320	S.RES ERJ3GEYJ 101 V (100)	B	106.6/13.7
R1307	7030003320	S.RES ERJ3GEYJ 101 V (100)	B	112.5/7.0
R1308	7030003860	S.RES ERJ3GE JPW V	B	110.5/16.3
R1309	7030006601	S.RES ERA3YED 272V (2.7K)	B	96.5/24.2
R1310	7030006601	S.RES ERA3YED 272V (2.7K)	B	107.7/24.7
R1311	7030009591	S.RES ERA3YED 472V (4.7K)	B	117.3/25.3
R1312	7030009591	S.RES ERA3YED 472V (4.7K)	B	116.0/22.5
R1313	7030010390	S.RES ERA3YED 821V (820)	B	96.5/26.9
R1314	7030010390	S.RES ERA3YED 821V (820)	B	107.7/27.4
R1315	7030003320	S.RES ERJ3GEYJ 101 V (100)	B	99.5/21.0
R1316	7030003320	S.RES ERJ3GEYJ 101 V (100)	B	110.6/21.1
R1317	7030003320	S.RES ERJ3GEYJ 101 V (100)	B	105.9/27.4
R1318	7030003320	S.RES ERJ3GEYJ 101 V (100)	B	117.3/28.0
R1319	7030009691	S.RES ERA3YED 101V (100)	B	96.5/29.6
R1320	7030009691	S.RES ERA3YED 101V (100)	B	107.7/30.2
R1331	7030005871	S.RES ERA3YKD 104V (100K)	B	115.8/15.7
R1332	7030005871	S.RES ERA3YKD 104V (100K)	B	118.3/15.7
R1333	7030005321	S.RES ERA3YED 103V (10K)	B	121.0/19.7
R1334	7030009691	S.RES ERA3YED 101V (100)	B	122.2/19.7
R1335	7030005631	S.RES ERA3YKD 154V (150K)	B	128.6/16.0
R1336	7030005681	S.RES ERA3YKD 473V (47K)	B	128.6/18.4
R1337	7030005871	S.RES ERA3YKD 104V (100K)	B	128.6/14.8
R1338	7030005871	S.RES ERA3YKD 104V (100K)	B	124.7/19.7
R1339	7030009691	S.RES ERA3YED 101V (100)	B	123.5/19.7
R1340	7030003320	S.RES ERJ3GEYJ 101 V (100)	B	128.6/13.6
R1341	7030003320	S.RES ERJ3GEYJ 101 V (100)	B	116.9/18.6
R1351	7030003200	S.RES ERJ3GEYJ 100 V (10)	B	94.5/42.3
R1352	7030003640	S.RES ERJ3GEYJ 473 V (47K)	B	96.1/46.6
R1353	7030003640	S.RES ERJ3GEYJ 473 V (47K)	B	96.1/47.9
R1354	7030003460	S.RES ERJ3GEYJ 152 V (1.5K)	B	98.3/53.1
R1355	7030003640	S.RES ERJ3GEYJ 473 V (47K)	B	96.1/40.2
R1356	7030003320	S.RES ERJ3GEYJ 101 V (100)	B	96.1/45.3
R1359	7030003640	S.RES ERJ3GEYJ 473 V (47K)	B	112.0/45.7
R1360	7030003640	S.RES ERJ3GEYJ 473 V (47K)	B	110.6/45.8
R1361	7030003640	S.RES ERJ3GEYJ 473 V (47K)	B	110.6/48.4

[MAIN UNIT]

REF NO.	PARTS NO.	DESCRIPTION	M.	H/V LOCATION
R1362	7030003800	S.RES ERJ3GEYJ 105 V (1M)	B	73.4/46.2
R1401	7030003320	S.RES ERJ3GEYJ 101 V (100)	B	76.9/48.9
R1402	7030003860	S.RES ERJ3GE JPW V	B	74.4/48.9
R1421	7030009591	S.RES ERA3YED 472V (4.7K)	B	78.9/42.4
R1422	7030009691	S.RES ERA3YED 221V (220)	B	77.5/37.0
R1423	7030009591	S.RES ERA3YED 472V (4.7K)	B	77.5/42.4
R1424	7030009591	S.RES ERA3YED 472V (4.7K)	B	76.2/42.3
R1425	7030009691	S.RES ERA3YED 221V (220)	B	76.2/37.0
R1426	7030009591	S.RES ERA3YED 472V (4.7K)	B	78.9/37.0
R1431	7030003320	S.RES ERJ3GEYJ 101 V (100)	T	76.3/29.5
R1433	7030003320	S.RES ERJ3GEYJ 101 V (100)	T	83.6/30.3
R1441	7030009691	S.RES ERA3YED 101V (100)	B	79.0/26.6
R1451	7030005321	S.RES ERA3YED 103V (10K)	B	83.5/42.3
R1452	7030007661	S.RES ERA3YED 331V (330)	B	82.2/38.3
R1453	7030005321	S.RES ERA3YED 103V (10K)	B	82.1/42.2
R1454	7030005341	S.RES ERA3YED 332V (3.3K)	B	80.9/40.0
R1455	7030007661	S.RES ERA3YED 331V (330)	B	80.9/37.2
R1456	7030005341	S.RES ERA3YED 332V (3.3K)	B	83.6/38.3
R1457	7030006461	S.RES ERA3YED 152V (1.5K)	T	75.8/43.6
R1458	7030006521	S.RES ERA3YED 561V (560)	T	75.8/41.0
R1471	7030009591	S.RES ERA3YED 472V (4.7K)	B	89.6/43.5
R1472	7030009691	S.RES ERA3YED 221V (220)	B	91.1/37.8
R1473	7030009591	S.RES ERA3YED 472V (4.7K)	B	90.8/43.5
R1474	7030009591	S.RES ERA3YED 472V (4.7K)	B	92.2/42.3
R1475	7030009691	S.RES ERA3YED 221V (220)	B	92.5/37.8
R1476	7030009591	S.RES ERA3YED 472V (4.7K)	B	89.8/37.8
R1477	7030009691	S.RES ERA3YED 101V (100)	B	90.9/25.8
R1478	7030003320	S.RES ERJ3GEYJ 101 V (100)	T	86.2/30.3
R1479	7030003320	S.RES ERJ3GEYJ 101 V (100)	T	92.2/23.0
R1491	7030005321	S.RES ERA3YED 103V (10K)	B	87.8/42.3
R1492	7030009691	S.RES ERA3YED 221V (220)	B	86.7/37.8
R1493	7030005321	S.RES ERA3YED 103V (10K)	B	86.5/42.3
R1494	7030008061	S.RES ERA3YED 222V (2.2K)	B	85.3/42.3
R1495	7030009691	S.RES ERA3YED 221V (220)	B	85.5/37.8
R1496	7030008061	S.RES ERA3YED 222V (2.2K)	B	87.9/37.8
R1497	7030009691	S.RES ERA3YED 101V (100)	B	88.3/25.8
R1601	7030003600	S.RES ERJ3GEYJ 223 V (22K)	B	68.4/97.9
R2001	7030003800	S.RES ERJ3GEYJ 223 V (22K)	B	124.9/98.1
R2102	7030003860	S.RES ERJ3GE JPW V	T	98.7/63.3
R2201	7030003200	S.RES ERJ3GEYJ 100 V (10)	T	120.1/38.8
R2202	7030003200	S.RES ERJ3GEYJ 100 V (10)	T	124.3/41.1
R2203	7030010600	S.RES ERA3YHD 150V (15)	B	119.4/44.5
R2204	7030006521	S.RES ERA3YED 561V (560)	B	120.1/42.3
R2205	7030008061	S.RES ERA3YED 222V (2.2K)	T	118.3/40.5
R2206	7030005451	S.RES ERA3YED 153V (15K)	T	118.9/41.7
R2207	7030005321	S.RES ERA3YED 103V (10K)	T	118.9/42.9
R2301	7030003560	S.RES ERJ3GEYJ 103 V (10K)	B	112.6/55.1
R2302	7030003320	S.RES ERJ3GEYJ 101 V (100)	T	118.6/53.0
R2303	7030003560	S.RES ERJ3GEYJ 103 V (10K)	B	113.5/58.3
R2304	7030003560	S.RES ERJ3GEYJ 103 V (10K)	B	117.1/60.6
R2305	7030003560	S.RES ERJ3GEYJ 103 V (10K)	B	113.5/57.0
R2306	7030003560	S.RES ERJ3GEYJ 103 V (10K)	B	117.1/59.3
R2307	7030003320	S.RES ERJ3GEYJ 101 V (100)	B	125.3/55.7
R2401	7030003280	S.RES ERJ3GEYJ 470 V (47)	T	125.1/61.5
R2402	7030003560	S.RES ERJ3GEYJ 103 V (10K)	T	123.5/69.4
R2403	7030003280	S.RES ERJ3GEYJ 470 V (47)	T	122.5/61.5
R2404	7030003560	S.RES ERJ3GEYJ 103 V (10K)	T	127.8/61.5
R2405	7030003560	S.RES ERJ3GEYJ 103 V (10K)	T	118.1/69.9
R2406	7030003560	S.RES ERJ3GEYJ 103 V (10K)	B	105.0/70.5
R2408	7030003560	S.RES ERJ3GEYJ 103 V (10K)	T	115.7/69.4
R2409	7030003860	S.RES ERJ3GE JPW V	T	122.7/88.9
R2410	7030003560	S.RES ERJ3GEYJ 103 V (10K)	T	115.3/62.8
R2411	7030003440	S.RES ERJ3GEYJ 102 V (1K)	T	129.0/88.9
R2412	7030003440	S.RES ERJ3GEYJ 102 V (1K)	T	129.4/90.2
R2413	7030003440	S.RES ERJ3GEYJ 102 V (1K)	T	134.5/84.1
R2414	7030003440	S.RES ERJ3GEYJ 102 V (1K)	T	126.6/81.8
R2415	7030003440	S.RES ERJ3GEYJ 102 V (1K)	T	126.6/77.9
R2416	7030003560	S.RES ERJ3GEYJ 103 V (10K)	T	105.7/83.3
R2417	7030003560	S.RES ERJ3GEYJ 103 V (10K)	T	105.7/86.9
R2418	7030003520	S.RES ERJ3GEYJ 472 V (4.7K)	T	126.5/74.0
R2419	7030003520	S.RES ERJ3GEYJ 472 V (4.7K)	T	133.2/73.7
R2420	7030003440	S.RES ERJ3GEYJ 102 V (1K)	T	134.5/65.0
R2421	7030003860	S.RES ERJ3GE JPW V	T	131.1/61.5
R2422	7030004040	S.RES ERJ3GEYJ 4R7 V (4.7)	T	128

[MAIN UNIT]

REF NO.	PARTS NO.	DESCRIPTION	M.	H/V LOCATION
R3141	7030003440	S.RES ERJ3GEYJ 102 V (1K)	B	25.0/36.2
R3142	7030003360	S.RES ERJ3GEYJ 221 V (220)	B	37.9/27.3
R3143	7030003440	S.RES ERJ3GEYJ 102 V (1K)	B	39.4/26.5
R3144	7030003440	S.RES ERJ3GEYJ 102 V (1K)	B	36.4/26.5
R3151	7030003370	S.RES ERJ3GEYJ 271 V (270)	B	19.8/46.6
R3152	7030003230	S.RES ERJ3GEYJ 180 V (18)	B	17.8/45.8
R3153	7030003370	S.RES ERJ3GEYJ 271 V (270)	B	19.8/45.2
R3201	7030003370	S.RES ERJ3GEYJ 271 V (270)	T	9.2/17.5
R3202	7030003230	S.RES ERJ3GEYJ 180 V (18)	T	11.1/18.2
R3203	7030003370	S.RES ERJ3GEYJ 271 V (270)	T	9.2/19.0
R3221	7030003280	S.RES ERJ3GEYJ 470 V (47)	B	13.1/34.5
R3222	7030003440	S.RES ERJ3GEYJ 102 V (1K)	T	15.4/40.1
R3227	7030003860	S.RES ERJ3GEP JPW V	T	19.8/54.1
R3228	7030003320	S.RES ERJ3GEYJ 101 V (100)	T	17.6/58.8
R3229	7030003440	S.RES ERJ3GEYJ 102 V (1K)	T	19.8/56.9
R3231	7030003650	S.RES ERJ3GEYJ 563 V (56K)	T	21.1/48.6
R3232	7030003860	S.RES ERJ3GEP JPW V	T	16.4/46.7
R3233	7030003360	S.RES ERJ3GEYJ 221 V (220)	T	20.5/51.2
R3251	7030003640	S.RES ERJ3GEYJ 473 V (47K)	T	44.9/79.1
R3252	7030003680	S.RES ERJ3GEYJ 104 V (100K)	T	44.9/82.5
R3253	7030003680	S.RES ERJ3GEYJ 104 V (100K)	T	44.9/80.5
R3254	7030003680	S.RES ERJ3GEYJ 104 V (100K)	T	44.9/75.9
R3255	7030003360	S.RES ERJ3GEYJ 221 V (220)	B	20.0/90.0
R3256	7030003360	S.RES ERJ3GEYJ 221 V (220)	B	21.3/90.0
R3257	7030003360	S.RES ERJ3GEYJ 221 V (220)	B	22.6/90.0
R3258	7030003360	S.RES ERJ3GEYJ 221 V (220)	B	23.9/90.0
R3259	7030003360	S.RES ERJ3GEYJ 221 V (220)	B	25.2/90.0
R3260	7030003360	S.RES ERJ3GEYJ 221 V (220)	B	26.5/90.0
R3261	7030003360	S.RES ERJ3GEYJ 221 V (220)	B	27.8/90.0
R3262	7030003360	S.RES ERJ3GEYJ 221 V (220)	B	29.1/90.0
R3263	7030003360	S.RES ERJ3GEYJ 221 V (220)	B	30.4/90.0
R3264	7030003360	S.RES ERJ3GEYJ 221 V (220)	B	31.7/90.0
R3265	7030003360	S.RES ERJ3GEYJ 221 V (220)	B	33.0/90.0
R3271	7030003320	S.RES ERJ3GEYJ 101 V (100)	B	15.0/66.3
R3272	7030003320	S.RES ERJ3GEYJ 101 V (100)	B	11.1/66.3
R3281	7030003860	S.RES ERJ3GEP JPW V	B	25.2/75.2
R3282	7030003630	S.RES ERJ3GEYJ 393 V (39K)	B	24.5/72.5
R3283	7030003580	S.RES ERJ3GEYJ 153 V (15K)	B	17.1/75.9
R3284	7030003730	S.RES ERJ3GEYJ 274 V (270K)	B	19.5/71.8
R3285	7030003730	S.RES ERJ3GEYJ 274 V (270K)	B	17.9/73.9
R3291	7030003560	S.RES ERJ3GEYJ 103 V (10K)	B	5.7/75.3
R3292	7030003650	S.RES ERJ3GEYJ 563 V (56K)	B	7.0/75.3
R3293	7030003650	S.RES ERJ3GEYJ 563 V (56K)	B	7.7/73.1
R3294	7030003520	S.RES ERJ3GEYJ 472 V (47K)	B	7.7/71.8
R3295	7030003320	S.RES ERJ3GEYJ 101 V (100)	B	9.6/75.3
R3301	7030003560	S.RES ERJ3GEYJ 103 V (10K)	B	5.7/67.0
R3302	7030003680	S.RES ERJ3GEYJ 104 V (100K)	B	7.0/67.0
R3303	7030003860	S.RES ERJ3GEP JPW V	B	7.7/69.2
R3304	7030003520	S.RES ERJ3GEYJ 472 V (47K)	B	7.7/70.5
R3305	7030003320	S.RES ERJ3GEYJ 101 V (100)	B	9.6/67.0
R3311	7030003560	S.RES ERJ3GEYJ 103 V (10K)	B	20.7/65.9
R3312	7030003560	S.RES ERJ3GEYJ 103 V (10K)	B	19.1/67.0
R3313	7030003860	S.RES ERJ3GEP JPW V	B	18.6/69.2
R3314	7030003520	S.RES ERJ3GEYJ 472 V (47K)	B	15.9/70.5
R3315	7030003320	S.RES ERJ3GEYJ 101 V (100)	B	16.5/67.0
R3321	7030003640	S.RES ERJ3GEYJ 473 V (47K)	B	84.2/20.4
R3322	7030003640	S.RES ERJ3GEYJ 473 V (47K)	B	92.5/20.4
R3323	7030003640	S.RES ERJ3GEYJ 473 V (47K)	B	76.9/20.3
R3330	7030003680	S.RES ERJ3GEYJ 104 V (100K)	T	54.6/48.9
R3331	7030003680	S.RES ERJ3GEYJ 104 V (100K)	T	58.5/48.9
R3332	7030003680	S.RES ERJ3GEYJ 104 V (100K)	T	55.7/44.6
R3333	7030003680	S.RES ERJ3GEYJ 104 V (100K)	T	33.6/21.2
C41	4510008540	S.ELE EEE1CA100SR	T	116.9/14.1
C42	4030006860	S.CER C1608 JB 1H 102K-T	B	99.5/9.5
C43	4510008540	S.ELE EEE1CA100SR	T	109.9/14.2
C44	4030006860	S.CER C1608 JB 1H 102K-T	B	102.8/8.7
C45	4510008540	S.ELE EEE1CA100SR	T	105.1/14.2
C46	4030006860	S.CER C1608 JB 1H 102K-T	B	101.1/9.0
C47	4510008540	S.ELE EEE1CA100SR	T	100.2/15.5
C48	4030006860	S.CER C1608 JB 1H 102K-T	B	97.0/11.1
C49	4510008540	S.ELE EEE1CA100SR	T	95.4/15.5
C50	4030006860	S.CER C1608 JB 1H 102K-T	B	94.2/11.1
C51	4510008540	S.ELE EEE1CA100SR	T	90.4/13.4
C52	4030006860	S.CER C1608 JB 1H 102K-T	B	89.8/12.3
C53	4030006860	S.CER C1608 JB 1H 102K-T	B	84.4/10.8
C54	4030006860	S.CER C1608 JB 1H 102K-T	B	89.8/10.7
C101	4510008540	S.ELE EEE1CA100SR	T	76.0/12.8
C102	4030011600	S.CER C1608 JB 1E 104K-T	B	77.7/8.6
C103	4030011600	S.CER C1608 JB 1E 104K-T	B	73.8/6.4
C104	4510008540	S.ELE EEE1CA100SR	T	71.2/12.8
C201	4030011600	S.CER C1608 JB 1E 104K-T	T	59.7/47.4
C202	4030006880	S.CER C1608 JB 1H 472K-T	B	51.6/41.7
C203	4510008540	S.ELE EEE1CA100SR	T	63.7/48.4
C204	4030011600	S.CER C1608 JB 1E 104K-T	T	66.3/45.3
C205	4030011600	S.CER C1608 JB 1E 104K-T	T	50.8/43.8
C206	4030006880	S.CER C1608 JB 1H 472K-T	T	66.3/44.1
C207	4030011600	S.CER C1608 JB 1E 104K-T	T	50.8/41.3
C208	4030011600	S.CER C1608 JB 1E 104K-T	T	49.4/37.0
C209	4030011600	S.CER C1608 JB 1E 104K-T	T	49.4/34.4
C210	4030011600	S.CER C1608 JB 1E 104K-T	T	49.8/29.2
C211	4030011600	S.CER C1608 JB 1E 104K-T	T	53.0/28.9
C212	4030011600	S.CER C1608 JB 1E 104K-T	T	55.8/28.9
C213	4030011600	S.CER C1608 JB 1E 104K-T	B	61.4/28.0
C214	4030011600	S.CER C1608 JB 1E 104K-T	T	66.9/26.3
C215	4030011600	S.CER C1608 JB 1E 104K-T	B	64.8/28.7
C216	4030011600	S.CER C1608 JB 1E 104K-T	B	67.5/32.4
C217	4030011600	S.CER C1608 JB 1E 104K-T	B	67.5/34.1
C218	4030011600	S.CER C1608 JB 1E 104K-T	B	65.4/37.9
C219	4030011600	S.CER C1608 JB 1E 104K-T	B	67.2/42.0
C220	4030011600	S.CER C1608 JB 1E 104K-T	T	64.1/44.4
C221	4030011600	S.CER C1608 JB 1E 104K-T	T	61.4/44.2
C222	4030011600	S.CER C1608 JB 1E 104K-T	T	58.2/43.6
C301	4030007100	S.CER C1608 CH 1H 560J-T	T	67.6/23.4

[MAIN UNIT]

REF NO.	PARTS NO.	DESCRIPTION	M.	H/V LOCATION
C302	4030007160	S.CER C1608 CH 1H 181J-T	B	68.6/24.2
C303	4030007140	S.CER C1608 CH 1H 121J-T	B	71.5/25.5
C304	4030011330	S.CER C1608 CH 1H 391J-T	B	71.5/28.3
C305	4030007080	S.CER C1608 CH 1H 390J-T	B	73.7/29.1
C306	4030011280	S.CER C1608 CH 1H 271J-T	B	70.9/33.5
C307	4030010760	S.CER C1608 CH 1H 331J-T	B	73.1/34.2
C308	4030018580	S.CER C1608 CH 1H 821J-T	B	70.9/34.8
C309	4030010760	S.CER C1608 CH 1H 331J-T	B	73.1/37.7
C1001	4030011600	S.CER C1608 JB 1E 104K-T	T	92.8/57.6
C1002	4030007030	S.CER C1608 CH 1H 150J-T	T	95.0/57.6
C1003	4510007130	S.ELE EEFCOJ 470R	B	76.3/95.0
C1004	4030007030	S.CER C1608 CH 1H 150J-T	T	95.0/63.2
C1005	4510007130	S.ELE EEFCOJ 470R	B	71.5/95.0
C1006	4030011600	S.CER C1608 JB 1E 104K-T	T	92.8/61.4
C1007	4030011600	S.CER C1608 JB 1E 104K-T	B	90.9/69.3
C1008	4510008540	S.ELE EEE1CA100SR	T	86.7/59.1
C1009	4030011600	S.CER C1608 JB 1E 104K-T	T	63.1/89.0
C1010	4030011600	S.CER C1608 JB 1E 104K-T	T	62.9/65.1
C1011	4030011600	S.CER C1608 JB 1E 104K-T	T	65.2/89.0
C1012	4030011600	S.CER C1608 JB 1E 104K-T	T	65.2/62.9
C1013	4030011600	S.CER C1608 JB 1E 104K-T	T	69.7/81.4
C1014	4030011600	S.CER C1608 JB 1E 104K-T	T	69.7/80.2
C1015	4030011600	S.CER C1608 JB 1E 104K-T	T	69.6/76.1
C1016	4030011600	S.CER C1608 JB 1E 104K-T	T	69.6/74.9
C1017	4030011600	S.CER C1608 JB 1E 104K-T	T	69.6/71.4
C1018	4030011600	S.CER C1608 JB 1E 104K-T	T	71.5/82.5
C1019	4030011600	S.CER C1608 JB 1E 104K-T	T	70.8/68.7
C1020	4030011600	S.CER C1608 JB 1E 104K-T	T	76.2/89.1
C1021	4030011600	S.CER C1608 JB 1E 104K-T	T	76.1/82.5
C1022	4030011600	S.CER C1608 JB 1E 104K-T	T	75.3/69.5
C1023	4030011600	S.CER C1608 JB 1E 104K-T	T	77.3/82.5
C1024	4030011600	S.CER C1608 JB 1E 104K-T	T	77.4/68.8
C1025	4030011600	S.CER C1608 JB 1E 104K-T	T	76.7/62.9
C1026	4030011600	S.CER C1608 JB 1E 104K-T	T	80.7/82.5
C1027	4030011600	S.CER C1608 JB 1E 104K-T	T	82.2/69.9
C1028	4030011600	S.CER C1608 JB 1E 104K-T	T	82.6/81.9
C1029	4030011600	S.CER C1608 JB 1E 104K-T	T	82.6/79.3
C1030	4030011600	S.CER C1608 JB 1E 104K-T	T	82.6/76.7
C1031	4030011600	S.CER C1608 JB 1E 104K-T	T	82.6/72.6
C1032	4030011600	S.CER C1608 JB 1E 104K-T	T	83.4/69.5
C1033	4030011600	S.CER C1608 JB 1E 104K-T	T	86.3/89.1
C1034	4030011600	S.CER C1608 JB 1E 104K-T	T	82.6/71.4
C1035	4030011600	S.CER C1608 JB 1E 104K-T	T	85.8/62.9
C1036	4030011600	S.CER C1608 JB 1E 104K-T	T	89.1/89.1
C1037	4030011600	S.CER C1608 JB 1E 104K-T	T	88.4/62.9
C1038	4030011600	S.CER C1608 JB 1E 104K-T	T	89.2/76.7
C1039	4030011600	S.CER C1608 JB 1E 104K-T	T	89.2/74.1
C1040	4030011600	S.CER C1608 JB 1E 104K-T	B	89.9/66.0
C1041	4030011600	S.CER C1608 JB 1E 104K-T	T	63.1/84.3
C1042	4030011600	S.CER C1608 JB 1E 104K-T	T	62.9/70.8
C1043	4030011600	S.CER C1608 JB 1E 104K-T	T	62.9/77.3
C1044	4030011600	S.CER C1608 JB 1E 104K-T	T	62.9/74.0
C1045	4030011600	S.CER C1608 JB 1E 104K-T	T	62.9/67.8
C1046	4030011600	S.CER C1608 JB 1E 104K-T	T	68.0/89.0
C1047	4030011600	S.CER C1608 JB 1E 104K-T	T	63.1/81.7
C1048	4030011600	S.CER C1608 JB 1E 104K-T	T	69.6/78.5
C1049	4030011600	S.CER C1608 JB 1E 104K-T	T	69.7/82.6
C1050	4030011600	S.CER C1608 JB 1E 104K-T	T	69.6/77.3
C1051	4030011600	S.CER C1608 JB 1E 104K-T	T	69.6/72.6
C1052	4030011600	S.CER C1608 JB 1E 104K-T	T	68.9/69.0
C1053	4030011600	S.CER C1608 JB 1E 104K-T	T	67.8/62.9
C1054	4030011600	S.CER C1608 JB 1E 104K-T	T	72.7/82.5
C1055	4030011600	S.CER C1608 JB 1E 104K-T	T	70.6/62.9
C1056	4030011600	S.CER C1608 JB 1E 104K-T	T	74.9/82.5
C1057	4030011600	S.CER C1608 JB 1E 104K-T	T	79.5/62.9
C1058	4030011600	S.CER C1608 JB 1E 104K-T	T	78.7/82.5
C1059	4030011600	S.CER C1608 JB 1E 104K-T	T	81.0/69.5
C1060	4030011600	S.CER C1608 JB 1E 104K-T	T	83.5/89.1
C1061	4030011600	S.CER C1608 JB 1E 104K-T	T	82.6/83.2
C1062	4030011600	S.CER C1608 JB 1E 104K-T	T	83.1/62.9
C1063	4030011600	S.CER C1608 JB 1E 104K-T	T	83.4/74.8
C1064	4030011600	S.CER C1608 JB 1E 104K-T	T	89.2/80.4
C1065	4030011600	S.CER C1608 JB 1E 104K-T	T	89.2/71.5
C10				

[MAIN UNIT]

REF NO.	PARTS NO.	DESCRIPTION	M.	H/V LOCATION
C1335	4030011600	S.CER C1608 JB 1E 104K-T	B	128.6/12.4
C1336	4510008540	S.ELE EEE1CA100SR	T	127.0/14.0
C1337	4030011600	S.CER C1608 JB 1E 104K-T	B	118.2/18.6
C1338	4510008540	S.ELE EEE1CA100SR	T	122.0/14.0
C1339	4030011600	S.CER C1608 JB 1E 104K-T	B	120.3/22.7
C1340	4030011600	S.CER C1608 JB 1E 104K-T	B	123.5/26.0
C1351	4030018620	S.CER C1608 CH 1H 222J-T	B	96.6/38.0
C1352	4550007480	S.TAN F930J106MAABMA	T	93.0/40.5
C1353	4030011600	S.CER C1608 JB 1E 104K-T	B	96.7/42.6
C1354	4550007480	S.TAN F930J106MAABMA	T	98.5/34.0
C1355	4550007480	S.TAN F930J106MAABMA	T	98.5/40.5
C1356	4030011810	S.CER C1608 JB 1A 224K-T	B	101.9/31.8
C1357	4030011810	S.CER C1608 JB 1A 224K-T	B	96.9/34.5
C1360	4030011810	S.CER C1608 JB 1A 224K-T	B	105.4/31.8
C1361	4030018620	S.CER C1608 CH 1H 222J-T	B	110.0/38.2
C1362	4030011810	S.CER C1608 JB 1A 224K-T	B	110.1/34.7
C1363	4550007480	S.TAN F930J106MAABMA	T	109.0/34.0
C1364	4550007480	S.TAN F930J106MAABMA	T	104.0/34.0
C1365	4030011600	S.CER C1608 JB 1E 104K-T	B	110.0/41.2
C1366	4550007520	S.TAN F931A106MAABMA	T	108.5/40.5
C1367	4030011600	S.CER C1608 JB 1E 104K-T	B	70.5/52.7
C1368	4030011600	S.CER C1608 JB 1E 104K-T	B	71.5/48.3
C1369	4030006860	S.CER C1608 JB 1H 102K-T	B	73.2/43.9
C1401	4510008540	S.ELE EEE1CA100SR	T	86.6/51.8
C1402	4030011600	S.CER C1608 JB 1E 104K-T	B	87.3/55.2
C1403	4030011600	S.CER C1608 JB 1E 104K-T	B	77.4/45.8
C1404	4030011600	S.CER C1608 JB 1E 104K-T	B	77.3/52.8
C1405	4510008540	S.ELE EEE1CA100SR	T	78.5/46.4
C1421	4030018640	S.CER C2012 CH 1H 103J-T	B	77.9/39.0
C1422	4030018610	S.CER C1608 CH 1H 182J-T	B	78.2/35.1
C1423	4030018620	S.CER C1608 CH 1H 222J-T	B	78.2/40.6
C1425	4030018610	S.CER C1608 CH 1H 182J-T	B	76.2/34.4
C1427	4030011600	S.CER C1608 JB 1E 104K-T	T	78.2/30.3
C1429	4510008540	S.ELE EEE1CA100SR	T	76.5/34.1
C1433	4510008540	S.ELE EEE1CA100SR	T	81.7/34.1
C1435	4030011600	S.CER C1608 JB 1E 104K-T	T	80.9/30.3
C1451	4030018620	S.CER C1608 CH 1H 222J-T	B	82.8/40.3
C1452	4030017870	S.CER C1608 CH 1H 681J-T	B	82.9/36.3
C1453	4030011600	S.CER C1608 JB 1E 104K-T	B	80.9/43.1
C1454	4510009050	S.ELE EEE0GA101SR	T	79.5/40.5
C1455	4030017870	S.CER C1608 CH 1H 681J-T	B	80.9/34.4
C1471	4030018640	S.CER C2012 CH 1H 103J-T	B	90.7/40.1
C1472	4030018610	S.CER C1608 CH 1H 182J-T	B	90.6/35.9
C1473	4030018620	S.CER C1608 CH 1H 222J-T	B	90.3/41.7
C1475	4030018610	S.CER C1608 CH 1H 182J-T	B	93.8/37.8
C1476	4030011600	S.CER C1608 JB 1E 104K-T	T	90.0/32.7
C1477	4510008540	S.ELE EEE1CA100SR	T	86.9/34.1
C1478	4030011600	S.CER C1608 JB 1E 104K-T	B	93.1/26.5
C1479	4510008540	S.ELE EEE1CA100SR	T	89.5/26.0
C1491	4030019130	S.CER C2012 CH 1H 562J-T-NS	B	86.7/40.1
C1492	4030018610	S.CER C1608 CH 1H 182J-T	B	87.3/35.9
C1495	4030018610	S.CER C1608 CH 1H 182J-T	B	85.5/35.1
C1603	4550007090	S.TAN TEESVA 1A 226M8R	T	63.2/95.0
C1604	4030011600	S.CER C1608 JB 1E 104K-T	B	61.4/95.1
C1605	4030017490	S.CER C1608 JB 1A 105K-T	B	68.4/94.2
C1606	4550007320	S.TAN F930J226MAABMA	T	66.6/95.0
C2001	4550007090	S.TAN TEESVA 1A 226M8R	T	115.6/95.5
C2002	4030011600	S.CER C1608 JB 1E 104K-T	B	117.9/95.8
C2003	4030017490	S.CER C1608 JB 1A 105K-T	B	124.9/95.3
C2004	4550007320	S.TAN F930J226MAABMA	T	126.6/95.3
C2051	4510008540	S.ELE EEE1CA100SR	T	126.6/45.2
C2052	4030011600	S.CER C1608 JB 1E 104K-T	T	126.9/41.1
C2053	4550006250	S.TAN TEESVA 1A 106M8R	B	121.3/36.5
C2054	4030011600	S.CER C1608 JB 1E 104K-T	B	125.5/34.5
C2101	4030011600	S.CER C1608 JB 1E 104K-T	T	96.3/63.2
C2202	4030011600	S.CER C1608 JB 1E 104K-T	T	126.9/39.6
C2203	4030018640	S.CER C2012 CH 1H 103J-T	B	118.8/46.9
C2205	4030011600	S.CER C1608 JB 1E 104K-T	T	118.9/44.2
C2206	4030011600	S.CER C1608 JB 1E 104K-T	T	124.3/39.6
C2207	4550006250	S.TAN TEESVA 1A 106M8R	T	123.5/36.4
C2208	4550006250	S.TAN TEESVA 1A 106M8R	T	125.8/36.4
C2301	4510008580	S.ELE EEE0JA470SR	T	121.4/49.4
C2302	4030017490	S.CER C1608 JB 1A 105K-T	B	121.8/47.1
C2303	4510008540	S.ELE EEE1CA100SR	T	116.1/56.1
C2304	4030011600	S.CER C1608 JB 1E 104K-T	B	112.6/50.0
C2305	4030011600	S.CER C1608 JB 1E 104K-T	T	113.0/56.9
C2306	4510008540	S.ELE EEE1CA100SR	T	116.1/49.9
C2307	4510008540	S.ELE EEE1CA100SR	T	120.9/56.1
C2308	4030011600	S.CER C1608 JB 1E 104K-T	B	125.3/54.4
C2309	4030011600	S.CER C1608 JB 1E 104K-T	B	119.9/60.0
C2351	4030011600	S.CER C1608 JB 1E 104K-T	B	127.2/49.8
C2401	4030011600	S.CER C1608 JB 1E 104K-T	B	125.8/59.4
C2402	4510008540	S.ELE EEE1CA100SR	T	126.0/56.1
C2403	4030011600	S.CER C1608 JB 1E 104K-T	T	133.2/83.5
C2404	4030011600	S.CER C1608 JB 1E 104K-T	T	133.2/65.0
C2405	4030011600	S.CER C1608 JB 1E 104K-T	T	133.2/70.9
C2406	4030011600	S.CER C1608 JB 1E 104K-T	T	133.2/80.7
C2407	4030011600	S.CER C1608 JB 1E 104K-T	T	126.6/75.3
C2408	4030011600	S.CER C1608 JB 1E 104K-T	T	126.7/62.8
C2409	4030011600	S.CER C1608 JB 1E 104K-T	T	126.6/83.1
C2410	4030011600	S.CER C1608 JB 1E 104K-T	T	126.2/88.9
C2411	4030011600	S.CER C1608 JB 1E 104K-T	T	124.8/69.4
C2412	4030011600	S.CER C1608 JB 1E 104K-T	T	122.8/82.3
C2413	4030011600	S.CER C1608 JB 1E 104K-T	T	122.8/62.8
C2414	4030011600	S.CER C1608 JB 1E 104K-T	T	118.8/82.3
C2415	4030011600	S.CER C1608 JB 1E 104K-T	T	115.9/61.5
C2416	4030011600	S.CER C1608 JB 1E 104K-T	T	117.0/82.3
C2417	4030011600	S.CER C1608 JB 1E 104K-T	T	112.0/62.8
C2418	4030011600	S.CER C1608 JB 1E 104K-T	T	113.1/69.4
C2419	4030011600	S.CER C1608 JB 1E 104K-T	T	113.7/72.7
C2420	4030011600	S.CER C1608 JB 1E 104K-T	T	113.7/77.4
C2421	4030011600	S.CER C1608 JB 1E 104K-T	T	113.7/82.9
C2422	4030011600	S.CER C1608 JB 1E 104K-T	T	113.7/79.0
C2423	4030011600	S.CER C1608 JB 1E 104K-T	T	107.0/80.2
C2424	4030011600	S.CER C1608 JB 1E 104K-T	T	112.3/88.9

[MAIN UNIT]

REF NO.	PARTS NO.	DESCRIPTION	M.	H/V LOCATION
C2425	4030011600	S.CER C1608 JB 1E 104K-T	T	107.0/67.7
C2426	4030011600	S.CER C1608 JB 1E 104K-T	T	107.0/74.8
C2427	4030011600	S.CER C1608 JB 1E 104K-T	T	107.0/77.5
C2428	4030011600	S.CER C1608 JB 1E 104K-T	T	107.0/70.5
C2429	4030011600	S.CER C1608 JB 1E 104K-T	T	107.0/83.4
C2430	4030011600	S.CER C1608 JB 1E 104K-T	T	134.5/72.8
C2431	4030011600	S.CER C1608 JB 1E 104K-T	B	133.9/76.0
C2432	4030011600	S.CER C1608 JB 1E 104K-T	T	134.5/76.4
C2433	4030011600	S.CER C1608 JB 1E 104K-T	T	133.1/62.8
C2434	4030011600	S.CER C1608 JB 1E 104K-T	T	133.2/86.7
C2435	4030011600	S.CER C1608 JB 1E 104K-T	T	130.1/62.8
C2436	4030011600	S.CER C1608 JB 1E 104K-T	T	126.6/72.7
C2437	4030011600	S.CER C1608 JB 1E 104K-T	T	131.8/88.9
C2438	4030011600	S.CER C1608 JB 1E 104K-T	T	127.4/69.4
C2439	4030011600	S.CER C1608 JB 1E 104K-T	T	126.6/71.4
C2440	4030011600	S.CER C1608 JB 1E 104K-T	T	126.6/76.6
C2441	4030011600	S.CER C1608 JB 1E 104K-T	T	126.6/79.2
C2442	4030011600	S.CER C1608 JB 1E 104K-T	T	126.6/80.5
C2443	4030011600	S.CER C1608 JB 1E 104K-T	T	126.1/69.4
C2444	4030011600	S.CER C1608 JB 1E 104K-T	T	124.6/82.3
C2445	4030011600	S.CER C1608 JB 1E 104K-T	T	120.1/62.8
C2446	4030011600	S.CER C1608 JB 1E 104K-T	T	121.5/68.6
C2447	4030011600	S.CER C1608 JB 1E 104K-T	T	121.4/82.3
C2448	4030011600	S.CER C1608 JB 1E 104K-T	T	118.9/68.6
C2449	4030011600	S.CER C1608 JB 1E 104K-T	T	120.1/82.3
C2450	4030011600	S.CER C1608 JB 1E 104K-T	T	119.9/88.9
C2451	4030011600	S.CER C1608 JB 1E 104K-T	T	114.4/69.4
C2452	4030011600	S.CER C1608 JB 1E 104K-T	T	115.7/82.3
C2453	4030011600	S.CER C1608 JB 1E 104K-T	T	113.7/71.4
C2454	4030011600	S.CER C1608 JB 1E 104K-T	T	113.7/74.8
C2455	4030011600	S.CER C1608 JB 1E 104K-T	T	113.7/76.1
C2456	4030011600	S.CER C1608 JB 1E 104K-T	T	113.7/80.3
C2457	4030011600	S.CER C1608 JB 1E 104K-T	T	133.2/68.1
C2458	4030011600	S.CER C1608 JB 1E 104K-T	T	113.7/81.6
C2459	4030011600	S.CER C1608 JB 1E 104K-T	T	109.2/62.8
C2460	4030011600	S.CER C1608 JB 1E 104K-T	T	109.5/88.9
C2461	4030011600	S.CER C1608 JB 1E 104K-T	T	107.0/64.9
C2462	4030011600	S.CER C1608 JB 1E 104K-T	T	107.0/86.8
C2463	4030011600	S.CER C1608 JB 1E 104K-T	T	132.1/57.7
C2464	4030011600	S.CER C1608 JB 1E 104K-T	T	132.2/53.5
C2465	4030006900	S.CER C1608 JB 1H 103K-T	T	134.5/52.5
C2481	4550007310	S.TAN F930J227MNNMBMA	B	108.0/57.5
C2482	4550007310	S.TAN F930J227MNNMBMA	B	103.2/57.5
C2483	4550006960	S.TAN TEESVB2 0G 107M8R	T	119.6/94.3
C3101	4510008540	S.ELE EEE1CA100SR	T	28.1/21.1
C3102	4030011600	S.CER C1608 JB 1E 104K-T	T	25.7/26.0
C3103	4030006880	S.CER C1608 JB 1H 472K-T	T	25.7/24.7
C3104	4030011600	S.CER C1608 JB 1E 104K-T	T	42.3/29.8
C3105	4030011600	S.CER C1608 JB 1E 104K-T	T	42.3/33.3
C3106	4030011600	S.CER C1608 JB 1E 104K-T	T	42.3/35.3
C3107	4030011600	S.CER C1608 JB 1E 104K-T	T	42.3/40.8
C3108	4030011600	S.CER C1608 JB 1E 104K-T	T	40.2/43.6
C3109	4030011600	S.CER C1608 JB 1E 104K-T	B	36.8/42.9
C3110	4030011600	S.CER C1608 JB 1E 104K-T	B	29.8/42.9
C3111	4030011600	S.CER C1608 JB 1E 104K-T	T	24.9/44.0
C3112	4030011600	S.CER C1608 JB 1E 104K-T	B	27.5/41.3
C3113	4030011600	S.CER C1608 JB 1E 104K-T	B	25.8/38.3
C3114	4030011600	S.CER C1608 JB 1E 104K-T	B	27.6/36.3
C3115	4030011600	S.CER C1608 JB 1E 104K-T	B	27.4/32.8
C3116	4030011600	S.CER C1608 JB 1E 104K-T	T	24.9/27.9
C3117	4030011600	S.CER C1608 JB 1E 104K-T	T	28.0/25.6
C3118	4030011600	S.CER C1608 JB 1E 104K-T	T	30.0/25.5
C3119	4030011600	S.CER C1608 JB 1E 104K-T	T	34.0/26.3
C3131	4030011600	S.CER C1608 JB 1E 104K-T	T	40.7/26.6
C3132	4030006880	S.CER C1608 JB 1H 472K-T	B	41.4/32.1
C3141	4030011600	S.CER C1608 JB 1E 104K-T	T	32.4/22.6
C3151	4030006900	S.CER C1608 JB 1H 103K-T	T	26.6/47.3
C3153	4030007080	S.CER C1608 CH 1H 390J-T	B	23.6/47.0
C3154	40300			

[MAIN UNIT]

REF NO.	PARTS NO.	DESCRIPTION	M.	H/V LOCATION
C3264	4030007170	S.CER C1608 CH 1H 221J-T	B	31.7/86.7
C3265	4030007170	S.CER C1608 CH 1H 221J-T	B	33.0/86.7
C3271	4030011600	S.CER C1608 JB 1E 104K-T	B	13.7/66.3
C3272	4510008540	S.ELE EEE1CA100SR	T	13.3/60.6
C3273	4030011600	S.CER C1608 JB 1E 104K-T	B	12.4/66.3
C3274	4510008540	S.ELE EEE1CA100SR	T	8.5/60.6
C3281	4030018640	S.CER C2012 CH 1H 103J-T	B	22.9/74.2
C3282	4030018640	S.CER C2012 CH 1H 103J-T	B	21.2/74.2
C3283	4030018640	S.CER C2012 CH 1H 103J-T	B	19.4/74.2
C3291	4030018620	S.CER C1608 CH 1H 222J-T	B	4.4/75.3
C3293	4030007110	S.CER C1608 CH 1H 680J-T	B	8.3/75.3
C3303	4030007130	S.CER C1608 CH 1H 101J-T	B	8.3/67.0
C3313	4030017810	S.CER C1608 CH 1H 102J-T	B	17.8/67.0
C3321	4030011600	S.CER C1608 JB 1E 104K-T	B	86.1/17.8
C3322	4030011600	S.CER C1608 JB 1E 104K-T	B	83.2/14.1
C3323	4030011600	S.CER C1608 JB 1E 104K-T	B	94.4/17.8
C3324	4030011600	S.CER C1608 JB 1E 104K-T	B	91.5/14.2
C3325	4030011600	S.CER C1608 JB 1E 104K-T	B	78.8/17.8
C3326	4030011600	S.CER C1608 JB 1E 104K-T	B	76.7/13.6
J1	6510007020	CON TMP-J01X-V6		
J21	6510018961	S.CON B2B-PH-SM4-TB(LF)(SN)	T	99.4/26.4
J41	6510019981	S.CON 52808-1671(1690)	T	95.0/5.0
J61	6510021722	S.CON 30FLT-SM2-TB(LF)(SN)(M)	T	101.2/95.8
J91	6510018961	S.CON B2B-PH-SM4-TB(LF)(SN)	T	117.7/31.0
J1101	6510019971	S.CON 52808-1071	T	58.7/55.3
J2401	6510019971	S.CON 52808-1071	T	133.9/40.8
J3201	6510007020	CON TMP-J01X-V6		
J3251	6510025960	S.CON AXN330C238P	T	38.7/77.5
J3252	6510021722	S.CON 30FLT-SM2-TB(LF)(SN)(M)	T	24.7/95.4
EP41	6910015970	S.BEA MMZ1608B 301CT-AS	T	99.7/9.2
EP42	6910014730	S.BEA MPZ2012S331A-T	T	104.4/9.4
EP43	6910015970	S.BEA MMZ1608B 301CT-AS	T	101.1/9.1
EP44	6910014730	S.BEA MPZ2012S331A-T	T	97.1/10.3
EP45	6910014730	S.BEA MPZ2012S331A-T	T	94.9/10.3
EP46	6910015970	S.BEA MMZ1608B 301CT-AS	T	92.1/9.7
EP1001	6910014730	S.BEA MPZ2012S331A-T	T	54.9/61.0
EP1351	6910014730	S.BEA MPZ2012S331A-T	T	94.3/51.4
EP3251	6910015970	S.BEA MMZ1608B 301CT-AS	T	44.9/72.7

[BPF UNIT]

REF NO.	PARTS NO.	DESCRIPTION	M.	H/V LOCATION
IC151	1130011530	S.IC CD74HC4094M96	T	7.9/42.3
IC152	1130011530	S.IC CD74HC4094M96	T	7.9/53.0
IC154	1160000132	S.IC TD62783AFG(OSEL)	B	18.9/6.8
IC155	1160000132	S.IC TD62783AFG(OSEL)	B	8.5/68.2
IC301	1180002770	S.REG BAJ0CC0FP-E2	T	8.5/88.2
Q151	1590003930	S.TRA UMD22N TR	T	10.3/64.4
Q152	1590003930	S.TRA UMD22N TR	T	5.5/64.4
Q180	1590003940	S.TRA RN1105(TE85LF)	T	12.7/81.7
Q181	1530002060	S.TRA 2SC4081 T106 R	T	81.9/115.8
Q182	1590001870	S.TRA DTA114EE TL	T	85.3/112.9
Q183	1530002841	S.TRA 2SC4116-Y(TE85RF)	T	85.1/115.8
D181	1790001251	S.DIO MA2S1110GL	B	84.1/108.5
D182	1790000981	S.DIO MA3J7420GL	T	91.3/115.8
D201	1790001251	S.DIO MA2S1110GL	B	69.1/108.4
D202	1790001251	S.DIO MA2S1110GL	B	54.2/108.3
L1	6200005521	S.COI NLV25T-470J	T	23.0/62.5
L2	6140004090	COI LR-447		
L3	6140004230	COI LR-458		
L4	6140004230	COI LR-458		
L5	6140004230	COI LR-458		
L6	6140004090	COI LR-447		
L21	6200005521	S.COI NLV25T-470J	T	6.9/11.3
L22	6140004090	COI LR-447		
L23	6140004100	COI LR-448		
L24	6140004100	COI LR-448		
L25	6140004100	COI LR-448		
L26	6140004090	COI LR-447		
L41	6200005521	S.COI NLV25T-470J	T	36.9/15.45
L42	6140004110	COI LR-449		
L43	6140004120	COI LR-450		
L44	6140004120	COI LR-450		
L45	6140004120	COI LR-450		
L46	6140004110	COI LR-449		
L61	6200005521	S.COI NLV25T-470J	B	74.7/88.8
L62	6140004140	COI LR-451		
L63	6140004150	COI LR-452		
L64	6140004150	COI LR-452		
L65	6140004150	COI LR-452		
L66	6140004140	COI LR-451		
L81	6200007021	S.COI NLV25T-270J	B	81.2/88.8
L82	6140004160	COI LR-453		
L83	6140004180	COI LR-454		
L84	6140004180	COI LR-454		
L85	6140004180	COI LR-454		
L86	6140004160	COI LR-453		
L101	6200005011	S.COI NLV25T-100J	B	87.7/88.8
L102	6140004190	COI LR-455		
L103	6140004210	COI LR-456		
L104	6140004210	COI LR-456		
L105	6140004210	COI LR-456		
L106	6140004190	COI LR-455		
L121	6200009141	S.COI NLV25T-6R8J	B	94.2/88.8
L122	6140004220	COI LR-457		
L123	6140004160	COI LR-453		
L124	6140004160	COI LR-453		
L125	6140004160	COI LR-453		
L126	6140004220	COI LR-457		
L141	6200009141	S.COI NLV25T-6R8J	B	100.7/88.8
L142	6200008080	S.COI LQW2BHN22J03L	B	113.9/71.6
L143	6200010870	S.COI C2520C-R33G-A (0.33U)	T	113.8/72.7
L144	6200008080	S.COI LQW2BHN22J03L	B	113.9/87.3
L181	6200005521	S.COI NLV25T-470J	B	10.5/82.5
L201	6140002070	COI LR-233		
L211	6200007780	S.COI LQW2BHN22J03L	T	57.4/112.6
L221	6200005521	S.COI NLV25T-470J	B	35.8/88.8
L222	6180003740	COI SP0406-150J-PF		
L223	6180003740	COI SP0406-150J-PF		
L241	6200005521	S.COI NLV25T-470J	B	29.4/88.8
L242	6140003980	COI LR-476		
L243	6140003980	COI LR-476		
L244	6140003980	COI LR-476		
L245	6140003980	COI LR-476		
L246	6140003980	COI LR-476		
L247	6140003980	COI LR-476		
L248	6140003980	COI LR-476		
L261	6200005521	S.COI NLV25T-470J	B	42.2/88.8
L262	6140004040	COI LR-443		
L263	6140004050	COI LR-444		
L264	6140004050	COI LR-444		
L265	6140004050	COI LR-444		
L266	6140004040	COI LR-443		
L281	6200005521	S.COI NLV25T-470J	B	48.7/88.8
L282	6140004060	COI LR-445		
L283	6140004080	COI LR-446		
L284	6140004080	COI LR-446		
L285	6140004080	COI LR-446		
L286	6140004060	COI LR-445		
R151	7030003240	S.RES ERJ3GEYJ 220 V (22)	T	28.3/10.0
R152	7030003240	S.RES ERJ3GEYJ 220 V (22)	T	23.4/10.8
R153	7030003240	S.RES ERJ3GEYJ 220 V (22)	T	23.4/9.2
R154	7030003240	S.RES ERJ3GEYJ 220 V (22)	T	28.3/8.4
R155	7030003240	S.RES ERJ3GEYJ 220 V (22)	T	23.4/7.6
R156	7030003240	S.RES ERJ3GEYJ 220 V (22)	T	28.3/6.8
R157	7030003240	S.RES ERJ3GEYJ 220 V (22)	T	23.4/6.0
R158	7030003240	S.RES ERJ3GEYJ 220 V (22)	T	28.3/5.2
R159	7030003240	S.RES ERJ3GEYJ 220 V (22)	T	12.8/60.3
R160	7030003240	S.RES ERJ3GEYJ 220 V (22)	T	14.1/60.3

M.=Mounted side (T: Mounted on the Top side, B: Mounted on the Bottom side)
S.=Surface mount

[BPF UNIT]

REF NO.	PARTS NO.	DESCRIPTION	M.	H/V LOCATION
R161	7030003240	S.RES ERJ3GEYJ 220 V (22)	T	14.9/63.9
R162	7030003240	S.RES ERJ3GEYJ 220 V (22)	T	16.3/63.9
R163	7030003240	S.RES ERJ3GEYJ 220 V (22)	T	12.7/77.6
R164	7030003240	S.RES ERJ3GEYJ 220 V (22)	T	15.7/77.6
R165	7030003240	S.RES ERJ3GEYJ 220 V (22)	T	14.2/77.6
R166	7030003240	S.RES ERJ3GEYJ 220 V (22)	T	11.2/77.6
R167	7030003320	S.RES ERJ3GEYJ 101 V (100)	T	7.4/64.4
R168	7030003320	S.RES ERJ3GEYJ 101 V (100)	T	12.2/64.4
R182	7030003560	S.RES ERJ3GEYJ 103 V (10K)	T	82.5/113.7
R183	7030003320	S.RES ERJ3GEYJ 101 V (100)	T	88.2/112.7
R184	7030003680	S.RES ERJ3GEYJ 104 V (100K)	T	88.2/113.9
R185	7030003860	S.RES ERJ3GE JPW V	T	88.2/115.1
R186	7030003480	S.RES ERJ3GEYJ 222 V (2.2K)	T	88.2/116.3
R201	7030011700	S.RES ERJ1TYJ681U (680)	B	111.2/95.3
R202	7030010420	S.RES ERJ1TYJ 560U (56)	B	111.2/103.9
R203	7030010970	S.RES ERJ1TYJ 151U	B	120.2/94.7
R204	7030010440	S.RES ERJ1TYJ 680U (68)	B	120.2/103.3
R205	7030010610	S.RES ERJ1TYJ 470U (47)	B	102.6/115.9
R206	7030010520	S.RES ERJ1TYJ 101U (100)	B	111.2/115.9
R207	7540000260	ABS SA05C 201M		
R208	7540000260	ABS SA05C 201M		
R209	7030003680	S.RES ERJ3GEYJ 104 V (100K)	T	48.0/109.7
R221	7030003640	S.RES ERJ3GEYJ 473 V (47K)	T	29.2/32.6
R222	7030003860	S.RES ERJ3GE JPW V	T	26.6/33.4
R301	7030003360	S.RES ERJ3GEYJ 221 V (220)	T	9.4/32.5
R302	7030003360	S.RES ERJ3GEYJ 221 V (220)	T	9.4/31.3
R303	7030003360	S.RES ERJ3GEYJ 221 V (220)	T	9.4/30.1
R304	7030003360	S.RES ERJ3GEYJ 221 V (220)	T	9.4/28.9
R305	7030003640	S.RES ERJ3GEYJ 473 V (47K)	T	13.3/31.3
R306	7030003640	S.RES ERJ3GEYJ 473 V (47K)	T	13.3/32.5
R307	7030003640	S.RES ERJ3GEYJ 473 V (47K)	T	13.3/30.1
R308	7030003640	S.RES ERJ3GEYJ 473 V (47K)	T	13.3/28.9
R309	7030003360	S.RES ERJ3GEYJ 221 V (220)	T	9.4/27.7
R310	7030003360	S.RES ERJ3GEYJ 221 V (220)	T	9.4/26.5
C1	4030006880	S.CER C1608 JB 1H 472K-T	B	108.9/90.2
C2	4030017800	S.CER C1608 CH 1H 561J-T	B	57.4/29.5
C3	4030011330	S.CER C1608 CH 1H 391J-T	B	57.4/31.2
C4	4030007160	S.CER C1608 CH 1H 181J-T	B	54.1/39.8
C5	4030007070	S.CER C1608 CH 1H 330J-T	B	51.4/41.6
C6	4030007030	S.CER C1608 CH 1H 150J-T	B	51.7/45.5
C7	4030007120	S.CER C1608 CH 1H 820J-T	B	53.5/45.5
C8	4030007140	S.CER C1608 CH 1H 121J-T	B	54.1/53.0
C9	4030007100	S.CER C1608 CH 1H 560J-T	B	54.1/54.9
C10	4030007120	S.CER C1608 CH 1H 820J-T	B	53.4/57.3
C11	4030007030	S.CER C1608 CH 1H 150J-T	B	51.7/57.3
C12	4030007160	S.CER C1608 CH 1H 181J-T	B	54.1/60.0
C13	4030007070	S.CER C1608 CH 1H 330J-T	B	54.1/61.9
C14	4030017800	S.CER C1608 CH 1H 561J-T	B	57.1/84.1
C15	4030011330	S.CER C1608 CH 1H 391J-T	B	57.1/85.5
C16	4030006880	S.CER C1608 JB 1H 472K-T	B	55.2/91.2
C21	4030006880	S.CER C1608 JB 1H 472K-T	B	65.9/15.0
C22	4030010760	S.CER C1608 CH 1H 331J-T	B	67.2/29.5
C23	4030007150	S.CER C1608 CH 1H 151J-T	B	67.2/31.2
C24	4030007150	S.CER C1608 CH 1H 151J-T	B	63.8/39.8
C25	4030007060	S.CER C1608 CH 1H 270J-T	B	63.8/41.6
C26	4030007060	S.CER C1608 CH 1H 270J-T	B	63.2/45.5
C27	4030007140	S.CER C1608 CH 1H 121J-T	B	61.5/45.5
C28	4030007150	S.CER C1608 CH 1H 151J-T	B	63.9/53.0
C29	4030007010	S.CER C1608 CH 1H 100D-T	B	63.9/54.9
C30	4030007140	S.CER C1608 CH 1H 121J-T	B	63.2/57.4
C31	4030007060	S.CER C1608 CH 1H 270J-T	B	61.5/57.4
C32	4030007150	S.CER C1608 CH 1H 151J-T	B	63.9/60.0
C33	4030007060	S.CER C1608 CH 1H 270J-T	B	63.9/61.9
C34	4030010760	S.CER C1608 CH 1H 331J-T	B	66.7/83.7
C35	4030007150	S.CER C1608 CH 1H 151J-T	B	65.7/84.7
C36	4030006880	S.CER C1608 JB 1H 472K-T	B	61.7/91.2
C41	4030006880	S.CER C1608 JB 1H 472K-T	B	72.2/15.0
C42	4030007170	S.CER C1608 CH 1H 221J-T	B	76.8/29.5
C43	4030007170	S.CER C1608 CH 1H 221J-T	B	76.8/31.2
C44	4030007130	S.CER C1608 CH 1H 101J-T	B	73.6/39.8
C45	4030007050	S.CER C1608 CH 1H 220J-T	B	73.6/41.6
C46	4030007070	S.CER C1608 CH 1H 330J-T	B	72.9/45.5
C47	4030007080	S.CER C1608 CH 1H 390J-T	B	71.1/45.5
C48	4030007120	S.CER C1608 CH 1H 820J-T	B	73.5/53.0
C49	4030007050	S.CER C1608 CH 1H 220J-T	B	73.5/54.9
C50	4030007080	S.CER C1608 CH 1H 390J-T	B	72.8/57.5
C51	4030007070	S.CER C1608 CH 1H 330J-T	B	71.1/57.5
C52	4030007130	S.CER C1608 CH 1H 101J-T	B	73.5/60.0
C53	4030007050	S.CER C1608 CH 1H 220J-T	B	73.5/61.9
C54	4030007170	S.CER C1608 CH 1H 221J-T	B	76.4/83.7
C55	4030007170	S.CER C1608 CH 1H 221J-T	B	75.4/84.7
C56	4030006880	S.CER C1608 JB 1H 472K-T	B	68.2/91.2
C61	4030006880	S.CER C1608 JB 1H 472K-T	B	78.6/15.0
C62	4030007170	S.CER C1608 CH 1H 221J-T	B	86.6/29.5
C63	4030007110	S.CER C1608 CH 1H 680J-T	B	86.6/31.2
C64	4030007090	S.CER C1608 CH 1H 470J-T	B	83.4/39.8
C65	4030007090	S.CER C1608 CH 1H 470J-T	B	83.4/41.6
C66	4030007070	S.CER C1608 CH 1H 330J-T	B	82.7/45.5
C67	4030007070	S.CER C1608 CH 1H 330J-T	B	80.9/45.5
C68	4030007120	S.CER C1608 CH 1H 820J-T	B	83.3/54.9
C69	4030007070	S.CER C1608 CH 1H 330J-T	B	80.9/57.5
C70	4030007070	S.CER C1608 CH 1H 330J-T	B	82.6/57.5
C71	4030007090	S.CER C1608 CH 1H 470J-T	B	83.3/60.0
C72	4030007090	S.CER C1608 CH 1H 470J-T	B	83.3/61.9
C73	4030007170	S.CER C1608 CH 1H 221J-T	B	86.2/75.5
C74	4030007110	S.CER C1608 CH 1H 680J-T	B	86.2/77.1
C75	4030006880	S.CER C1608 JB 1H 472K-T	B	74.7/91.2
C81	4030006880	S.CER C1608 JB 1H 472K-T	B	85.1/15.0
C82	4030007160	S.CER C1608 CH 1H 181J-T	B	96.3/29.5
C83	4030007090	S.CER C1608 CH 1H 470J-T	B	96.3/31.2
C84	4030007090	S.CER C1608 CH 1H 470J-T	B	92.9/39.8
C85	4030007040	S.CER C1608 CH 1H 180J-T	B	92.9/41.6
C86	4030007030	S.CER C1608 CH 1H 150J-T	B	92.3/45.5

[BPF UNIT]

REF NO.	PARTS NO.	DESCRIPTION	M.	H/V LOCATION
C87	4030007050	S.CER C1608 CH 1H 220J-T	B	90.5/45.5
C88	4030007090	S.CER C1608 CH 1H 470J-T	B	93.0/54.9
C89	4030006990	S.CER C1608 CH 1H 080D-T	B	93.0/53.0
C90	4030007050	S.CER C1608 CH 1H 220J-T	B	92.3/57.4
C91	4030007030	S.CER C1608 CH 1H 150J-T	B	90.6/57.4
C92	4030007090	S.CER C1608 CH 1H 470J-T	B	93.0/60.0
C93	4030007040	S.CER C1608 CH 1H 180J-T	B	93.0/61.9
C94	4030007160	S.CER C1608 CH 1H 181J-T	B	95.9/75.5
C95	4030007090	S.CER C1608 CH 1H 470J-T	B	95.9/77.1
C96	4030006880	S.CER C1608 JB 1H 472K-T	B	81.2/91.2
C101	4030006880	S.CER C1608 JB 1H 472K-T	B	91.5/15.0
C102	4030007140	S.CER C1608 CH 1H 121J-T	B	105.7/31.2
C103	4030007040	S.CER C1608 CH 1H 180J-T	B	105.7/29.5
C104	4030007070	S.CER C1608 CH 1H 330J-T	B	102.7/39.8
C105	4030007040	S.CER C1608 CH 1H 180J-T	B	102.7/41.6
C106	4030007010	S.CER C1608 CH 1H 100D-T	B	102.1/45.5
C107	4030007070	S.CER C1608 CH 1H 330J-T	B	100.3/45.5
C108	4030007090	S.CER C1608 CH 1H 470J-T	B	102.8/53.0
C109	4030007070	S.CER C1608 CH 1H 330J-T	B	102.1/56.3
C110	4030007010	S.CER C1608 CH 1H 100D-T	B	100.3/56.3
C111	4030007070	S.CER C1608 CH 1H 330J-T	B	102.8/59.5
C112	4030007040	S.CER C1608 CH 1H 180J-T	B	102.8/61.5
C113	4030007140	S.CER C1608 CH 1H 121J-T	B	105.9/77.1
C114	4030007040	S.CER C1608 CH 1H 180J-T	B	105.9/75.5
C115	4030006880	S.CER C1608 JB 1H 472K-T	B	87.7/91.2
C121	4030006880	S.CER C1608 JB 1H 472K-T	B	98.1/15.0
C122	4030007130	S.CER C1608 CH 1H 101J-T	B	112.7/24.0
C123	4030007030	S.CER C1608 CH 1H 150J-T	B	112.7/25.7
C124	4030007050	S.CER C1608 CH 1H 220J-T	B	113.4/34.2
C125	4030007020	S.CER C1608 CH 1H 120J-T	B	113.4/36.0
C126	4030007050	S.CER C1608 CH 1H 220J-T	B	115.3/39.9
C127	4030007050	S.CER C1608 CH 1H 220J-T	B	113.4/46.7
C128	4030006980	S.CER C1608 CH 1H 070D-T	B	113.4/48.5
C129	4030007050	S.CER C1608 CH 1H 220J-T	B	115.3/51.2
C130	4030007050	S.CER C1608 CH 1H 220J-T	B	113.4/53.9
C131	4030007020	S.CER C1608 CH 1H 120J-T	B	113.4/55.8
C132	4030007130	S.CER C1608 CH 1H 101J-T	B	110.8/86.4
C133	4030007030	S.CER C1608 CH 1H 150J-T	B	112.8/84.8
C134	4030006880	S.CER C1608 JB 1H 472K-T	B	94.2/91.2
C141	4030006880	S.CER C1608 JB 1H 472K-T	B	104.5/15.0
C142	4030008560	S.CER C1608 CH 1H 300J-T	B	116.8/70.2
C143	4030007060	S.CER C1608 CH 1H 270J-T	B	116.9/72.9
C144	4030007130	S.CER C1608 CH 1H 101J-T	B	116.9/74.5
C145	4030007130	S.CER C1608 CH 1H 101J-T	B	116.5/84.8
C146	4030007060	S.CER C1608 CH 1H 270J-T	B	116.5/86.4
C147	4030008560	S.CER C1608 CH 1H 300J-T	B	116.5/88.5
C148	4030006880	S.CER C1608 JB 1H 472K-T	B	100.7/91.2
C151	4030011600	S.CER C1608 JB 1E 104K-T	B	10.7/16.5
C152	4030011600	S.CER C1608 JB 1E 104K-T	B	4.4/77.9
C153	4030011600	S.CER C1608 JB 1E 104K-T	T	14.3/39.9
C154	4030011600	S.CER C1608 JB 1E 104K-T	T	13.9/50.8
C181	4030006880	S.CER C1608 JB 1H 472K-T	B	85.4/108.5
C182	4030010760	S.CER C1608 CH 1H 331J-T	T	94.0/114.3
C183	4030007050	S.CER C1608 CH 1H 220J-T	T	91.2/113.9
C184	4030009520	S.CER C1608 CH 1H 020B-T	T	92.1/12.7
C185	4030010210	S.CER C3216 JB 1C 105M-T	B	86.2/112.9
C186	4030011600	S.CER C1608 JB 1E 104K-T	B	86.2/105.3
C201	4030006880	S.CER C1608 JB 1H 472K-T	B	107.0/91.2
C202	4030006880	S.CER C1608 JB 1H 472K-T	B	116.1/91.2
C203	4030006880	S.CER C1608 JB 1H 472K-T	B	99.9/111.8
C204	4030006880	S.CER C1608 JB 1H 472K-T	B	70.4/108.4
C205	4030006880	S.CER C1608 JB 1H 472K-T	B	55.5/108.3
C211	4030007020	S.CER C1608 CH 1H 120J-T	T	61.1/113.3
C212	4030007020	S.CER C1608 CH 1H 120J-T	T	59.8/113.3
C213	4030011770	S.CER C1608 CH 1H 060B-T	T	55.0/113.3
C214	4030011770	S.CER C1608 CH 1H 060B-T	T	53.8/113.3
C215	4030011770	S.CER C1608 CH 1H 060B-T	T	52.6/113.3
C216	4030011770	S.CER C1608 CH 1H 060B-T	T	51.4/113.3
C221	4030006880	S.CER C1608 JB 1H 472K-T	B	40.1/15.0
C222	4030018610	S.CER C1608 CH 1H 182J-T	T	27.5/38.2
C223	4030018510	S.CER C2012 CH 1H 682J-T	T	28.3/53.8
C224	4030018640	S.CER C2012 CH 1H 103J-T	T	28.3/55.9
C225	4030018610	S.CER C1608 CH 1H 182J-T	T	27.5/71.5
C226	4030006880	S.CER C1608 JB 1H 472K-T	B	35.8/9

[BPF UNIT]

REF NO.	PARTS NO.	DESCRIPTION	M.	H/V LOCATION
C276	4030006880	S.CER C1608 JB 1H 472K-T	B	42.2/91.2
C281	4030006880	S.CER C1608 JB 1H 472K-T	B	53.1/15.0
C282	4030017800	S.CER C1608 CH 1H 561J-T	B	47.9/29.5
C283	4030010760	S.CER C1608 CH 1H 331J-T	B	47.9/31.2
C284	4030010760	S.CER C1608 CH 1H 331J-T	B	44.5/39.8
C285	4030007080	S.CER C1608 CH 1H 390J-T	B	44.5/41.6
C286	4030007100	S.CER C1608 CH 1H 560J-T	B	42.1/45.5
C287	4030010760	S.CER C1608 CH 1H 331J-T	B	43.9/45.5
C288	4030010760	S.CER C1608 CH 1H 331J-T	B	44.5/53.0
C289	4030007090	S.CER C1608 CH 1H 470J-T	B	44.5/54.9
C290	4030010760	S.CER C1608 CH 1H 331J-T	B	43.8/57.4
C291	4030007100	S.CER C1608 CH 1H 560J-T	B	42.1/57.4
C292	4030010760	S.CER C1608 CH 1H 331J-T	B	44.5/60.0
C293	4030007080	S.CER C1608 CH 1H 390J-T	B	44.5/61.9
C294	4030017800	S.CER C1608 CH 1H 561J-T	B	47.6/84.0
C295	4030010760	S.CER C1608 CH 1H 331J-T	B	47.6/85.4
C296	4030006880	S.CER C1608 JB 1H 472K-T	B	48.7/91.2
C301	4030011600	S.CER C1608 JB 1E 104K-T	T	13.5/24.1
C302	4550003210	S.TAN TEESVD21D226M12R	T	7.1/82.2
C303	4030011600	S.CER C1608 JB 1E 104K-T	T	3.0/86.8
C304	4030011600	S.CER C1608 JB 1E 104K-T	T	3.0/89.6
C305	4510008540	S.ELE EEE1CA100SR	T	7.0/94.1
RL1	6330001721	REL ATN207-K1		
RL2	6330001721	REL ATN207-K1		
RL21	6330001721	REL ATN207-K1		
RL22	6330001721	REL ATN207-K1		
RL41	6330001721	REL ATN207-K1		
RL42	6330001721	REL ATN207-K1		
RL61	6330001721	REL ATN207-K1		
RL62	6330001721	REL ATN207-K1		
RL81	6330001721	REL ATN207-K1		
RL82	6330001721	REL ATN207-K1		
RL101	6330001721	REL ATN207-K1		
RL102	6330001721	REL ATN207-K1		
RL121	6330001721	REL ATN207-K1		
RL122	6330001721	REL ATN207-K1		
RL141	6330001721	REL ATN207-K1		
RL142	6330001721	REL ATN207-K1		
RL181	6330001721	REL ATN207-K1		
RL201	6330001721	REL ATN207-K1		
RL202	6330001721	REL ATN207-K1		
RL203	6330001721	REL ATN207-K1		
RL204	6330001721	REL ATN207-K1		
RL205	6330001721	REL ATN207-K1		
RL221	6330001721	REL ATN207-K1		
RL222	6330001721	REL ATN207-K1		
RL241	6330001721	REL ATN207-K1		
RL242	6330001721	REL ATN207-K1		
RL261	6330001721	REL ATN207-K1		
RL262	6330001721	REL ATN207-K1		
RL281	6330001721	REL ATN207-K1		
RL282	6330001721	REL ATN207-K1		
J1	6510020521	S.CON 52808-1271(1290)	T	4.5/26.9
J11	6510007020	CON TMP-J01X-V6		
J501	6510007020	CON TMP-J01X-V6		
J502	6450001800	CON JPY1044-01-010		
W1	7030012290	JUM RDS2TOR0		
EP301	6910014730	S.BEA MPZ2012S331A-T	T	10.4/20.6
EP302	6910018270	S.BEA MMZ1608Y301CT	T	10.9/24.1

[RF-A UNIT]

REF NO.	PARTS NO.	DESCRIPTION	M.	H/V LOCATION
IC130	1190002010	S.IC SD5400CY <TOMO>	T	67.8/92.9
IC210	1110006180	S.IC UPG2009TB-E3	T	66.5/65.4
IC311	1180000421	S.IC TA78L05F(TE12RF)	B	145.0/5.3
IC380	1190002110	S.IC NJG1519KC1-TE3-#ZZZB	T	29.3/72.4
IC500	1190002110	S.IC NJG1519KC1-TE3-#ZZZB	T	27.0/32.0
IC620	1180002770	S.REG BAJ0CC0FP-E2	B	88.8/5.7
IC701	1110006180	S.IC UPG2009TB-E3	T	63.2/5.7
IC800	1130011530	S.IC CD74HC4094M96	T	149.7/48.7
IC801	1130011530	S.IC CD74HC4094M96	T	149.7/40.6
IC850	1180000720	S.IC AN79L05M-(E1)	B	155.2/14.9
IC950	1110005100	S.IC NJM072BM-TE1-#ZZZB	T	132.0/17.7
IC951	1110005420	S.IC BA15532F-E2	T	131.6/31.5
IC1000	1110006100	S.IC NJM5534MD-TE1-#ZZZB	B	142.3/32.7
IC1030	1110000960	S.IC NJM4558M-TE1-#FMZB	B	74.5/43.7
IC1031	1110006750	S.IC TK14570LTL-G	T	73.4/34.0
IC1032	1120002830	S.IC NJM2125F-TE1-#FZZB	B	73.8/32.0
IC1060	1110006190	S.IC NJM074M-TE1-#ZZZB	B	126.4/32.2
IC1090	1110006100	S.IC NJM5534MD-TE1-#ZZZB	B	110.0/45.0
IC1091	1110006100	S.IC NJM5534MD-TE1-#ZZZB	B	122.2/17.7
IC1311	1130011921	S.IC TC74LCX00F(ELF)	T	95.9/28.2
IC1312	1130005971	S.IC TC74HC4053AF(F) S	T	142.5/17.2
Q20	1590003930	S.TRA UMD22N TR	T	114.8/59.4
Q21	1590003930	S.TRA UMD22N TR	T	111.2/59.4
Q22	1590003930	S.TRA UMD22N TR	T	115.9/74.3
Q30	1530003852	S.TRA 2SC5551A-F-TD-E	B	131.2/63.4
Q50	1530003852	S.TRA 2SC5551A-F-TD-E	B	128.0/91.5
Q70	1530003852	S.TRA 2SC5551A-F-TD-E	B	128.0/76.5
Q150	1590003940	S.TRA RN1105(TE85LF)	T	32.9/81.4
Q151	1550000090	S.FET RSQ035P03TR	B	37.9/86.6
Q170	1530003860	TRA 2SC3950D		
Q190	1530003860	TRA 2SC3950D		
Q191	1530003842	S.TRA 2SC5501A-4-TR-E	T	25.2/84.1
Q321	1560000641	S.FET 2SK1740-4/5-TB-E	T	60.8/57.6
Q350	1590003930	S.TRA UMD22N TR	T	56.8/38.9
Q351	1590003930	S.TRA UMD22N TR	T	56.8/35.1
Q550	1530003842	S.TRA 2SC5501A-4-TR-E	B	7.2/17.4
Q580	1530003021	S.TRA 2SC4402-3-TL-E	B	19.4/12.8
Q581	1530003021	S.TRA 2SC4402-3-TL-E	B	14.4/9.6
Q640	1560000641	S.FET 2SK1740-4/5-TB-E	B	38.6/31.1
Q641	1560000641	S.FET 2SK1740-4/5-TB-E	B	38.6/6.3
Q671	1560000641	S.FET 2SK1740-4/5-TB-E	T	57.8/6.9
Q730	1530003151	S.TRA 2SC4673D-TD-E	T	42.5/20.3
Q901	1590003940	S.TRA RN1105(TE85LF)	B	141.4/15.3
Q1011	1530003432	S.TRA 2SC5226A-4-TL-E	T	68.7/11.1
Q1021	1530003432	S.TRA 2SC5226A-4-TL-E	T	68.1/23.8
Q1200	1530003451	S.TRA 2SC4835GRL	B	95.3/45.9
Q1201	1530003451	S.TRA 2SC4835GRL	B	98.1/10.8
Q1310	1530002601	S.TRA 2SC4215-O(TE85RF)	B	99.7/28.2
D1	1750000581	S.DIO 1SV307(TPH3F)	T	110.5/90.2
D20	1750000550	S.DIO 1SS355 TE-17	B	148.0/95.9
D21	1750000550	S.DIO 1SS355 TE-17	B	148.3/80.6
D90	1750000550	S.DIO 1SS355 TE-17	B	105.0/80.9
D91	1750000550	S.DIO 1SS355 TE-17	B	105.2/97.3
D460	1750000581	S.DIO 1SV307(TPH3F)	T	19.0/71.7
D461	1750000581	S.DIO 1SV307(TPH3F)	T	19.0/73.8
D462	1750000581	S.DIO 1SV307(TPH3F)	T	18.6/34.3
D463	1750000581	S.DIO 1SV307(TPH3F)	T	18.6/32.3
D600	1750000431	S.DIO HSB88WSTR-E	T	42.1/12.5
D850	1790001670	S.DIO RB706F-40T106	B	113.8/9.0
D851	1790001670	S.DIO RB706F-40T106	T	113.6/14.2
D950	1750000550	S.DIO 1SS355 TE-17	T	132.5/24.4
D951	1750000550	S.DIO 1SS355 TE-17	T	132.5/22.6
D1021	1790001241	S.DIO MA2S7280GL	B	67.8/25.5
D1250	1750000431	S.DIO HSB88WSTR-E	T	92.1/38.3
D1251	1750000431	S.DIO HSB88WSTR-E	T	92.0/18.3
FI400	2030000530	S.MON DSF753SDF 58.7 MHz (FL-384)	T	44.2/51.5
FI420	2030000540	S.MON DSF753SDF 58.7 MHz (FL-385)	T	35.6/53.7
FI440	2030000550	S.MON DSF753SDF 58.7 MHz (FL-386)	T	27.0/51.5
FI460	2030000560	S.MON DSF753SDF 58.7 MHz (FL-387)	T	18.4/53.7
FI480	2030000570	S.MON DSF753SDF 58.7 MHz (FL-388)	T	9.8/51.5
FI702	2020002430	CER SFVLF10M7LF00-B0		
FI1011	2020001170	S.CER SFECA10.7MS2-A-TC (SFECA10.7MS2)	T	75.1/17.8
FI1030	2020001170	S.CER SFECA10.7MS2-A-TC (SFECA10.7MS2)	T	68.6/28.8
L20	6200009690	S.COI LQH43CN101K03L	T	14.7/1.95
L21	6200009690	S.COI LQH43CN101K03L	T	177.6/14.4
L30	6140003890	COI LR-488		
L31	6180001000	COI LAL 04NA 102K		
L32	6200010680	S.COI C2520C-R22G-A (0.22U)	T	96.2/58.0
L33	6140003900	COI LR-489		
L50	6200007790	S.COI LQW2BHN15J03L	B	143.7/76.3
L51	6140003800	COI LR-439		
L52	6190001650	COI ELC06D102E		
L53	6140003880	COI LR-486		
L54	6140003800	COI LR-439		
L70	6190001650	COI ELC06D102E		
L71	6140003880	COI LR-486		
L110	6200010740	S.COI C2520C-R27G-A	T	98.2/86.4
L111	6200010740	S.COI C2520C-R27G-A	T	95.4/82.8
L112	6200007780	S.COI LQW2BHN12J03L	B	86.1/91.7
L113	6200007780	S.COI LQW2BHN12J03L	B	83.5/91.7
L114	6200010740	S.COI C2520C-R27G-A	T	92.7/79.3
L131	6200010730	S.COI C2520C-68NG-A	T	83.1/87.6
L132	6190001631	COI #E544EN-100021		
L133	6200011410	S.COI C2520C-82NG-A	T	67.5/76.6
L134	6200010860	S.COI C2520C-R10G-A (0.1U)	T	66.2/70.3

M.=Mounted side (T: Mounted on the Top side, B: Mounted on the Bottom side)
S.=Surface mount

[RF-A UNIT]

REF NO.	PARTS NO.	DESCRIPTION	M.	H/V LOCATION
L136	6140003920	COI LR-491		
L138	6140003960	COI LR-495		
L150	6180003570	COI SP0406-3R3K-6		
L170	6200010740	S.COI C2520C-R27G-A	T	50.8/94.8
L190	6200011450	S.COI C2520C-R39G-A	T	30.9/94.4
L191	6140003910	COI LR-490		
L211	6200010740	S.COI C2520C-R27G-A	T	71.6/62.3
L230	6140004660	COI LR-524		
L290	6200010650	S.COI C2520C-R12G-A (0.12U)	T	87.8/65.8
L291	6200010860	S.COI C2520C-R10G-A (0.1U)	T	84.1/62.7
L292	6200010670	S.COI C2520C-R18G-A (0.18U)	T	80.9/59.0
L293	6200010680	S.COI C2520C-R22G-A (0.22U)	T	75.8/55.7
L321	6200005011	S.COI NLV25T-100J	T	63.1/61.3
L322	6140002810	S.COI LR-317	T	69.1/54.9
L323	6200011220	S.COI C2012C-R47J-A	T	63.0/53.3
L400	6200010960	S.COI C2520C-R47G-A (0.47U)	T	44.3/64.7
L401	6200010960	S.COI C2520C-R47G-A (0.47U)	T	44.2/41.8
L402	6200010960	S.COI C2520C-R47G-A (0.47U)	T	44.3/61.4
L403	6200010960	S.COI C2520C-R47G-A (0.47U)	T	44.2/38.3
L420	6200010770	S.COI C2520C-R68G-A	T	35.4/66.9
L421	6200010770	S.COI C2520C-R68G-A	T	35.8/43.9
L422	6200010780	S.COI C2520C-1R0G-A	T	35.4/63.6
L423	6200010780	S.COI C2520C-1R0G-A	T	35.8/40.7
L440	6200010450	S.COI C2520C-R82G-A (0.82U)	T	26.9/64.5
L441	6200010450	S.COI C2520C-R82G-A (0.82U)	T	26.9/41.7
L442	6200010440	S.COI C2520C-1R2G-A (1.2U)	T	26.9/61.3
L443	6200010440	S.COI C2520C-1R2G-A (1.2U)	T	26.9/38.5
L460	6200010440	S.COI C2520C-1R2G-A (1.2U)	T	18.1/66.6
L461	6200010440	S.COI C2520C-1R2G-A (1.2U)	T	18.0/43.8
L462	6200010440	S.COI C2520C-1R2G-A (1.2U)	T	18.1/63.4
L463	6200010440	S.COI C2520C-1R2G-A (1.2U)	T	18.0/40.6
L464	6200003711	S.COI NLV25T-2R7J	T	22.4/71.7
L465	6200003711	S.COI NLV25T-2R7J	T	22.0/32.5
L480	6200010810	S.COI C2520C-2R2G-A	T	10.5/61.2
L481	6200010810	S.COI C2520C-2R2G-A	T	9.2/41.7
L482	6200010680	S.COI C2520C-R22G-A (0.22U)	T	10.5/64.7
L483	6200010680	S.COI C2520C-R22G-A (0.22U)	T	9.2/38.4
L484	6200003711	S.COI NLV25T-2R7J	B	9.9/73.8
L485	6200003711	S.COI NLV25T-2R7J	B	10.3/71.2
L486	6200003711	S.COI NLV25T-2R7J	B	11.5/34.3
L487	6200003711	S.COI NLV25T-2R7J	B	15.7/36.2
L520	6200007790	S.COI LQW2BHNR15J03L	T	19.1/25.4
L521	6200007740	S.COI LQW2BHNR47N03L	T	14.8/24.1
L550	6140003930	COI LR-492		
L580	6190001740	COI #E544EN-100027		
L600	6140003210	S.COI LR-358	T	35.1/12.5
L601	6140003210	S.COI LR-358	T	49.1/12.5
L611	6200010770	S.COI C2520C-R68G-A	T	35.0/67.7
L612	6200011450	S.COI C2520C-R39G-A	T	38.6/3.3
L613	6200010740	S.COI C2520C-R27G-A	T	31.3/57.8
L620	6200005521	S.COI NLV25T-470J	T	23.7/3.4
L640	6200010970	S.COI C2520C-1R8G-A(1.8U)	T	48.1/5.1
L641	6200002041	S.COI NLV25T-101J	B	32.3/5.5
L642	6200002041	S.COI NLV25T-101J	B	52.4/6.9
L702	6200010950	S.COI C2520C-1R5G-A (1.5U)	T	79.5/5.8
L703	6200010970	S.COI C2520C-1R8G-A(1.8U)	T	68.9/3.7
L704	6200010810	S.COI C2520C-2R2G-A	T	77.6/10.6
L730	6200001920	S.COI ELJNC R15K-F	T	51.2/20.9
L731	6200003290	S.COI ELJNC R12K-F	T	50.5/25.2
L732	6200003290	S.COI ELJNC R12K-F	T	44.5/24.7
L805	6200005011	S.COI NLV25T-100J	T	156.5/36.0
L1011	6200003711	S.COI NLV25T-2R7J	T	62.7/9.9
L1012	6200005011	S.COI NLV25T-100J	T	68.8/14.5
L1013	6200005011	S.COI NLV25T-100J	B	65.6/15.5
L1021	6200003941	S.COI NLV25T-5R6J	T	72.0/21.9
L1022	6200002861	S.COI NLV25T-4R7J	T	64.7/23.3
L1023	6200005011	S.COI NLV25T-100J	B	65.0/20.1
L1030	6190001750	S.COI #836BN-0541TY	T	64.0/36.9
L1032	6200005011	S.COI NLV25T-100J	B	62.1/34.5
L1200	6200003520	S.COI ELJFB 102K-F	T	99.7/45.5
L1250	6140003210	S.COI LR-358	T	99.1/38.3
L1251	6140003210	S.COI LR-358	T	99.0/18.3
L1252	6140003210	S.COI LR-358	T	85.1/38.3
L1253	6140003210	S.COI LR-358	T	85.0/18.3
L1310	6200003261	S.COI NLV32T-101J	T	80.1/30.2
L1311	6200003261	S.COI NLV32T-101J	B	88.8/32.1
L1312	6200010800	S.COI C2520C-4R7G-A	T	88.8/25.7
L1313	6200003261	S.COI NLV32T-101J	B	88.8/25.1
R1	7030003640	S.RES ERJ3GEYJ 473 V (47K)	T	114.2/91.7
R2	7030003480	S.RES ERJ3GEYJ 222 V (2.2K)	T	112.1/90.2
R3	7030003560	S.RES ERJ3GEYJ 103 V (10K)	T	114.2/88.1
R4	7030003620	S.RES ERJ3GEYJ 333 V (33K)	T	114.2/89.3
R20	7030003320	S.RES ERJ3GEYJ 101 V (100)	T	143.5/73.2
R21	7030003320	S.RES ERJ3GEYJ 101 V (100)	T	145.1/96.5
R22	7030003320	S.RES ERJ3GEYJ 101 V (100)	B	104.7/82.4
R23	7030003320	S.RES ERJ3GEYJ 101 V (100)	T	104.9/97.8
R30	7030003200	S.RES ERJ3GEYJ 100 V (10)	B	140.4/66.8
R31	7030003530	S.RES ERJ3GEYJ 562 V (5.6K)	T	144.0/59.5
R32	7030003440	S.RES ERJ3GEYJ 102 V (1K)	T	144.0/60.7
R33	7030004030	S.RES ERJ3GEYJ 5R6 V (5.6)	B	131.0/66.8
R34	7030003280	S.RES ERJ3GEYJ 470 V (47)	B	138.8/62.7
R35	7030003240	S.RES ERJ3GEYJ 220 V (22)	T	133.8/58.9
R50	7030003280	S.RES ERJ3GEYJ 470 V (47)	T	139.1/97.6
R51	7030003200	S.RES ERJ3GEYJ 100 V (10)	B	132.5/91.1
R53	7030003440	S.RES ERJ3GEYJ 102 V (1K)	B	129.6/84.4
R54	7030003280	S.RES ERJ3GEYJ 470 V (47)	B	123.7/93.9
R55	7030003510	S.RES ERJ3GEYJ 392 V (3.9K)	B	124.7/87.5
R70	7030003280	S.RES ERJ3GEYJ 470 V (47)	B	139.8/76.0
R71	7030003200	S.RES ERJ3GEYJ 100 V (10)	B	132.5/76.5
R73	7030003440	S.RES ERJ3GEYJ 102 V (1K)	B	130.1/69.4
R74	7030003280	S.RES ERJ3GEYJ 470 V (47)	B	123.8/79.1
R75	7030003510	S.RES ERJ3GEYJ 392 V (3.9K)	B	124.5/72.7
R110	7030000010	S.RES MCR10EZHX JPW (000)	T	101.1/88.8

[RF-A UNIT]

REF NO.	PARTS NO.	DESCRIPTION	M.	H/V LOCATION
R111	7030003280	S.RES ERJ3GEYJ 470 V (47)	B	88.6/90.7
R130	7030000010	S.RES MCR10EZHX JPW (000)	T	85.8/87.9
R131	7030003800	S.RES ERJ3GEYJ 105 V (1M)	T	74.3/94.9
R132	7030003520	S.RES ERJ3GEYJ 472 V (4.7K)	T	80.0/97.0
R134	7030003250	S.RES ERJ3GEYJ 270 V (27)	T	70.9/77.3
R135	7030003680	S.RES ERJ3GEYJ 104 V (100K)	T	69.8/98.4
R136	7310004860	S.TRI EVM-3YSX50 B53 (502)	T	85.5/94.6
R137	7030003680	S.RES ERJ3GEYJ 104 V (100K)	B	67.0/96.6
R139	7030003520	S.RES ERJ3GEYJ 472 V (4.7K)	T	78.1/95.2
R141	7030007680	S.RES ERJ8ENF 47R0V (47)	T	62.4/98.2
R142	7030003400	S.RES ERJ3GEYJ 471 V (470)	B	94.7/77.7
R143	7030007680	S.RES ERJ8ENF 47R0V (47)	T	61.0/93.0
R150	7030003560	S.RES ERJ3GEYJ 103 V (10K)	B	35.4/86.5
R151	7030003440	S.RES ERJ3GEYJ 102 V (1K)	T	36.6/82.1
R161	7030003640	S.RES ERJ3GEYJ 473 V (47K)	T	83.0/94.8
R170	7030009620	S.RES ERJ12YJ120U (12)	B	49.6/95.7
R171	7030003280	S.RES ERJ3GEYJ 470 V (47)	T	48.4/93.0
R173	7030007180	S.RES ERJ12YJ150U (15)	B	40.4/92.8
R175	7030004040	S.RES ERJ3GEYJ 4R7 V (4.7)	T	41.9/94.1
R176	7030006240	S.RES ERJ12YJ181U (180)	B	34.2/93.1
R177	7030007850	S.RES ERJ8ENF 1001V (1K)	T	34.1/91.3
R190	7030004040	S.RES ERJ3GEYJ 4R7 V (4.7)	T	33.8/93.5
R191	7030003480	S.RES ERJ3GEYJ 222 V (2.2K)	T	35.0/93.0
R192	7030003470	S.RES ERJ3GEYJ 182 V (1.8K)	T	37.2/95.6
R193	7030006070	S.RES ERJ12YJ101U (100)	B	26.6/93.0
R194	7030004040	S.RES ERJ3GEYJ 4R7 V (4.7)	T	27.1/94.4
R195	7030003280	S.RES ERJ3GEYJ 470 V (47)	T	36.2/87.1
R196	7030003480	S.RES ERJ3GEYJ 222 V (2.2K)	T	28.8/81.5
R197	7030003460	S.RES ERJ3GEYJ 152 V (1.5K)	T	27.6/81.5
R198	7030003420	S.RES ERJ3GEYJ 681 V (680)	B	25.0/87.7
R199	7030003200	S.RES ERJ3GEYJ 100 V (10)	T	25.1/86.1
R200	7030003280	S.RES ERJ3GEYJ 470 V (47)	T	24.4/91.0
R210	7030003440	S.RES ERJ3GEYJ 102 V (1K)	B	63.7/64.0
R211	7030003440	S.RES ERJ3GEYJ 102 V (1K)	B	65.6/61.9
R214	7030003280	S.RES ERJ3GEYJ 470 V (47)	B	52.3/63.2
R290	7030003370	S.RES ERJ3GEYJ 271 V (270)	T	92.1/61.2
R291	7030003230	S.RES ERJ3GEYJ 180 V (18)	T	91.4/63.5
R292	7030003370	S.RES ERJ3GEYJ 271 V (270)	T	90.6/61.6
R321	7030003320	S.RES ERJ3GEYJ 101 V (100)	T	60.5/60.3
R322	7030003320	S.RES ERJ3GEYJ 101 V (100)	B	67.7/57.7
R324	7030003860	S.RES ERJ3GE JPW V	T	69.2/59.8
R350	7030003560	S.RES ERJ3GEYJ 103 V (10K)	T	56.8/97.0
R351	7030003560	S.RES ERJ3GEYJ 103 V (10K)	T	56.8/93.2
R380	7030003440	S.RES ERJ3GEYJ 102 V (1K)	B	29.4/71.4
R381	7030003440	S.RES ERJ3GEYJ 102 V (1K)	B	26.6/70.0
R382	7030003440	S.RES ERJ3GEYJ 102 V (1K)	B	26.6/75.3
R383	7030003440	S.RES ERJ3GEYJ 102 V (1K)	B	29.5/76.9
R460	7030003400	S.RES ERJ3GEYJ 471 V (470)	T	25.4/72.3
R461	7030003400	S.RES ERJ3GEYJ 471 V (470)	T	22.5/35.1
R480	7030003380	S.RES ERJ3GEYJ 331 V (330)	B	13.1/73.8
R481	7030003380	S.RES ERJ3GEYJ 331 V (330)	B	13.6/71.7
R482	7030003380	S.RES ERJ3GEYJ 331 V (330)	B	14.7/34.3
R483	7030003380	S.RES ERJ3GEYJ 331 V (330)	B	14.7/32.3
R484	7030003320	S.RES ERJ3GEYJ 101 V (100)	B	6.5/74.2
R485	7030003320	S.RES ERJ3GEYJ 101 V (100)	B	7.2/70.8
R486	7030003320	S.RES ERJ3GEYJ 101 V (100)	B	18.1/36.5
R487	7030003320	S.RES ERJ3GEYJ 101 V (100)	B	9.1/35.9
R500	7030003440	S.RES ERJ3GEYJ 102 V (1K)	B	29.9/35.0
R501	7030003440	S.RES ERJ3GEYJ 102 V (1K)	B	29.9/30.6
R502	7030003440	S.RES ERJ3GEYJ 102 V (1K)	B	24.0/30.7
R503	7030003440	S.RES ERJ3GEYJ 102 V (1K)	B	24.0/35.0
R550	7030003440	S.RES ERJ3GEYJ 102 V (1K)	B	7.2/19.6
R551	7030003400	S.RES ERJ3GEYJ 471 V (470)	B	6.2/14.1
R552	7030003340	S.RES ERJ3GEYJ 151 V (150)	B	8.0/14.1
R553	7030003520	S.RES ERJ3GEYJ 472 V (4.7K)	B	4.4/14.1
R554	7030003550	S.RES ERJ3GEYJ 822 V (8.2K)	B	3.7/18.2
R555	7030003200	S.RES ERJ3GEYJ 100 V (10)	B	10.2/14.8
R556	7030003300	S.RES ERJ3GEYJ 680 V (68)	B	14.4/16.4
R580	7030003200	S.RES ERJ3GEYJ 100 V (10)	B	13.8/12.0
R581	7030003520	S.RES ERJ3GEYJ 472 V (4.7K)	B	10.7/8.4
R582	7030003550	S.RES ERJ3GEYJ 822 V (8.2K)	B	14.1/6.8
R583	7030003690	S.RES ERJ3GEYJ 124 V (120K)	B	12.3/3.9
R584	7030003200	S.RES ERJ3GEYJ 100 V (10)	B	22.8/12.8
R585	7030003200	S.RES ERJ3GEYJ 100 V (10)	B	16.6/9.8
R587	7030003280	S.RES ERJ3GEYJ 470 V (47)	B	18.7/5.7
R588	7510001671	S.THR NTCG16 4BH 103JT	B	14.1/5.2
R611	7030003280	S.RES ERJ3GEYJ 470 V (47)	T	32.5/2.4
R620	7030003320	S.RES ERJ3GEYJ 101 V (100)	T	26.9/3.2
R641	7030003280	S.RES ERJ3GEYJ 470 V (47)	B	35.3/5.5
R645	7030003490	S.RES ERJ3GEYJ 2		

[RF-A UNIT]

REF NO.	PARTS NO.	DESCRIPTION	M.	H/V LOCATION
R809	7030003280	S.RES ERJ3GEYJ 470 V (47)	T	140.3/51.4
R810	7030003280	S.RES ERJ3GEYJ 470 V (47)	T	140.3/48.6
R811	7030003280	S.RES ERJ3GEYJ 470 V (47)	T	137.1/47.9
R812	7030003280	S.RES ERJ3GEYJ 470 V (47)	T	140.3/47.2
R813	7030003280	S.RES ERJ3GEYJ 470 V (47)	T	137.1/43.7
R814	7030003280	S.RES ERJ3GEYJ 470 V (47)	T	137.1/45.1
R815	7030003280	S.RES ERJ3GEYJ 470 V (47)	T	140.3/43.0
R816	7030003280	S.RES ERJ3GEYJ 470 V (47)	T	137.1/42.3
R817	7030003640	S.RES ERJ3GEYJ 473 V (47K)	T	151.9/36.2
R818	7030003640	S.RES ERJ3GEYJ 473 V (47K)	B	156.7/41.1
R819	7030003640	S.RES ERJ3GEYJ 473 V (47K)	B	151.2/52.7
R820	7030003640	S.RES ERJ3GEYJ 473 V (47K)	B	152.5/41.9
R821	7030003440	S.RES ERJ3GEYJ 102 V (1K)	T	119.1/10.4
R850	7030003370	S.RES ERJ3GEYJ 271 V (270)	B	151.1/13.5
R900	7030003860	S.RES ERJ3GE JPW V	B	124.1/8.2
R904	7030003860	S.RES ERJ3GE JPW V	T	147.1/28.0
R905	7030003320	S.RES ERJ3GEYJ 101 V (100)	T	137.1/13.3
R907	7030003560	S.RES ERJ3GEYJ 103 V (10K)	B	143.2/19.7
R908	7030003320	S.RES ERJ3GEYJ 101 V (100)	T	148.4/21.7
R950	7030003370	S.RES ERJ3GEYJ 271 V (270)	T	136.7/20.4
R951	7030003440	S.RES ERJ3GEYJ 102 V (1K)	T	135.4/20.4
R952	7030003800	S.RES ERJ3GEYJ 105 V (1M)	T	129.1/23.6
R953	7030003360	S.RES ERJ3GEYJ 221 V (220)	T	132.6/26.0
R954	7030003360	S.RES ERJ3GEYJ 221 V (220)	T	134.9/23.5
R955	7030003560	S.RES ERJ3GEYJ 103 V (10K)	T	127.1/32.8
R956	7030003560	S.RES ERJ3GEYJ 103 V (10K)	T	136.1/31.4
R957	7030003520	S.RES ERJ3GEYJ 472 V (4.7K)	T	127.1/29.6
R958	7030003560	S.RES ERJ3GEYJ 103 V (10K)	T	131.6/35.0
R959	7030003520	S.RES ERJ3GEYJ 472 V (4.7K)	T	137.0/29.5
R960	7030003560	S.RES ERJ3GEYJ 103 V (10K)	T	127.8/35.0
R961	7030003320	S.RES ERJ3GEYJ 101 V (100)	T	134.9/12.3
R962	7030003320	S.RES ERJ3GEYJ 101 V (100)	T	127.2/21.8
R963	7030003860	S.RES ERJ3GE JPW V	T	131.8/12.3
R964	7030003440	S.RES ERJ3GEYJ 102 V (1K)	T	129.9/12.3
R965	7030003320	S.RES ERJ3GEYJ 101 V (100)	T	136.1/34.1
R966	7030003320	S.RES ERJ3GEYJ 101 V (100)	T	131.9/28.0
R1000	7030009691	S.RES ERA3YED 101V (100)	B	143.4/25.0
R1001	7030003320	S.RES ERJ3GEYJ 101 V (100)	T	147.3/34.0
R1002	7030010390	S.RES ERA3YED 821V (820)	B	141.5/29.3
R1003	7030003320	S.RES ERJ3GEYJ 101 V (100)	B	135.4/33.9
R1004	7030008061	S.RES ERA3YED 222V (2.2K)	B	132.6/34.2
R1011	7030003480	S.RES ERJ3GEYJ 222 V (2.2K)	T	66.3/11.8
R1012	7030003490	S.RES ERJ3GEYJ 272 V (2.7K)	T	66.1/10.3
R1013	7030003230	S.RES ERJ3GEYJ 180 V (18)	T	70.6/11.5
R1014	7030003360	S.RES ERJ3GEYJ 221 V (220)	T	72.7/10.7
R1015	7030003380	S.RES ERJ3GEYJ 331 V (330)	T	70.7/14.8
R1021	7030003480	S.RES ERJ3GEYJ 222 V (2.2K)	T	68.2/21.9
R1022	7030003490	S.RES ERJ3GEYJ 272 V (2.7K)	T	70.1/21.6
R1023	7030003340	S.RES ERJ3GEYJ 151 V (150)	B	70.3/25.4
R1024	7030003380	S.RES ERJ3GEYJ 331 V (330)	T	64.2/21.3
R1031	7030003440	S.RES ERJ3GEYJ 102 V (1K)	B	81.0/42.5
R1032	7030003320	S.RES ERJ3GEYJ 101 V (100)	T	76.6/40.0
R1033	7030003460	S.RES ERJ3GEYJ 152 V (1.5K)	B	68.0/41.3
R1034	7030003640	S.RES ERJ3GEYJ 473 V (47K)	B	81.0/44.1
R1035	7030003320	S.RES ERJ3GEYJ 101 V (100)	B	67.1/46.0
R1036	7030003860	S.RES ERJ3GE JPW V	B	68.0/42.8
R1037	7030003480	S.RES ERJ3GEYJ 222 V (2.2K)	B	70.4/37.7
R1039	7030003640	S.RES ERJ3GEYJ 473 V (47K)	B	81.0/45.6
R1040	7030003320	S.RES ERJ3GEYJ 101 V (100)	T	73.4/39.5
R1041	7030003600	S.RES ERJ3GEYJ 223 V (22K)	B	70.0/39.7
R1042	7030003460	S.RES ERJ3GEYJ 152 V (1.5K)	T	83.4/45.6
R1043	7030003500	S.RES ERJ3GEYJ 332 V (3.3K)	T	80.6/45.6
R1044	7030003610	S.RES ERJ3GEYJ 273 V (27K)	B	71.4/36.5
R1045	7030003320	S.RES ERJ3GEYJ 101 V (100)	B	74.3/27.7
R1046	7030003690	S.RES ERJ3GEYJ 124 V (120K)	B	70.6/31.9
R1048	7030003560	S.RES ERJ3GEYJ 103 V (10K)	T	62.7/45.1
R1049	7030005871	S.RES ERA3YKD 104V (100K)	B	72.1/34.5
R1050	7030008051	S.RES ERA3YKD 184V (180K)	B	75.7/36.0
R1051	7030003480	S.RES ERJ3GEYJ 222 V (2.2K)	B	76.9/34.5
R1053	7030008061	S.RES ERA3YED 222V (2.2K)	B	67.8/31.1
R1054	7030006461	S.RES ERA3YED 152V (1.5K)	B	68.6/29.0
R1060	7030005321	S.RES ERA3YED 103V (10K)	B	127.2/38.3
R1061	7030005321	S.RES ERA3YED 103V (10K)	B	127.3/26.1
R1062	7030005321	S.RES ERA3YED 103V (10K)	B	124.3/38.3
R1063	7030005321	S.RES ERA3YED 103V (10K)	B	124.3/26.1
R1064	7030005321	S.RES ERA3YED 103V (10K)	B	121.2/36.7
R1065	7030005321	S.RES ERA3YED 103V (10K)	B	121.2/28.9
R1066	7030005321	S.RES ERA3YED 103V (10K)	B	118.7/32.5
R1067	7030005321	S.RES ERA3YED 103V (10K)	B	118.7/30.9
R1068	7030005321	S.RES ERA3YED 103V (10K)	B	118.7/37.2
R1069	7030005321	S.RES ERA3YED 103V (10K)	B	118.7/26.1
R1070	7030003320	S.RES ERJ3GEYJ 101 V (100)	T	124.5/32.8
R1071	7030003320	S.RES ERJ3GEYJ 101 V (100)	B	133.4/31.4
R1090	7030003380	S.RES ERJ3GEYJ 331 V (330)	B	116.4/43.1
R1091	7030003380	S.RES ERJ3GEYJ 331 V (330)	T	127.4/14.0
R1092	7310004820	S.TRI EVM-3YSX50 B33 (302)	T	116.8/24.0
R1093	7030009861	S.RES ERA3YED 471V (470)	B	112.5/40.0
R1094	7030006091	S.RES ERA3YED 822V (8.2K)	T	116.0/18.6
R1095	7030005321	S.RES ERA3YED 103V (10K)	B	109.2/40.0
R1096	7030007661	S.RES ERA3YED 331V (330)	B	105.0/48.8
R1097	7030007661	S.RES ERA3YED 331V (330)	T	119.8/21.8
R1098	7030007230	S.RES ERA3YED 102V (1K)	B	110.0/38.2
R1099	7030007230	S.RES ERA3YED 102V (1K)	T	116.0/15.6
R1200	7030007230	S.RES ERA3YED 102V (1K)	B	102.6/45.9
R1201	7030007230	S.RES ERA3YED 102V (1K)	B	102.9/42.9
R1202	7030007230	S.RES ERA3YED 102V (1K)	B	115.9/18.2
R1203	7030007230	S.RES ERA3YED 102V (1K)	B	115.8/15.5
R1204	7030007230	S.RES ERA3YED 102V (1K)	T	100.9/11.1
R1205	7030007230	S.RES ERA3YED 102V (1K)	B	99.2/45.9
R1206	7030003520	S.RES ERJ3GEYJ 472 V (4.7K)	B	93.8/49.7
R1207	7030003460	S.RES ERJ3GEYJ 152 V (1.5K)	B	97.9/42.9
R1208	7030011050	S.RES ERA3YHD 100V (10)	B	95.3/48.1
R1209	7030011050	S.RES ERA3YHD 100V (10)	B	97.4/8.8
R1210	7030009851	S.RES ERA3YED 271V (270)	B	92.8/44.6
R1211	7030009851	S.RES ERA3YED 271V (270)	B	95.5/13.6

[RF-A UNIT]

REF NO.	PARTS NO.	DESCRIPTION	M.	H/V LOCATION
R1212	7030009841	S.RES ERA3YHD 330V (33)	B	86.3/40.8
R1213	7030009841	S.RES ERA3YHD 330V (33)	B	86.3/16.0
R1214	7030010980	S.RES ERA3YHD 470V (47)	B	86.3/36.5
R1215	7030010980	S.RES ERA3YHD 470V (47)	B	86.3/20.1
R1310	7030003320	S.RES ERJ3GEYJ 101 V (100)	B	99.4/32.7
R1311	7030003320	S.RES ERJ3GEYJ 101 V (100)	B	98.4/24.1
R1312	7030003320	S.RES ERJ3GEYJ 101 V (100)	B	96.9/32.0
R1313	7030003320	S.RES ERJ3GEYJ 101 V (100)	T	89.0/28.9
R1314	7030003680	S.RES ERJ3GEYJ 104 V (100K)	B	94.9/32.7
R1315	7030003320	S.RES ERJ3GEYJ 471 V (470)	B	96.3/25.2
R1316	7030003630	S.RES ERJ3GEYJ 393 V (39K)	B	99.6/30.2
R1317	7030003280	S.RES ERJ3GEYJ 470 V (47)	B	100.1/25.7
R1318	7030003220	S.RES ERJ3GEYJ 150 V (15)	B	102.6/27.9
R1319	7030003820	S.RES ERJ3GEYJ 331 V (330)	B	101.8/25.7
R1320	7030003380	S.RES ERJ3GEYJ 331 V (330)	B	103.5/25.7
R1321	7030003560	S.RES ERJ3GEYJ 103 V (10K)	T	89.0/30.4
C1	4030007170	S.CER C1608 CH 1H 221J-T	B	60.7/24.3
C2	4030011600	S.CER C1608 JB 1E 104K-T	T	114.2/90.5
C20	4030006900	S.CER C1608 JB 1H 103K-T	T	148.0/96.5
C21	4030006900	S.CER C1608 JB 1H 103K-T	T	148.0/80.6
C22	4030006900	S.CER C1608 JB 1H 103K-T	T	114.3/57.3
C23	4030006900	S.CER C1608 JB 1H 103K-T	T	110.7/57.3
C24	4030006900	S.CER C1608 JB 1H 103K-T	T	117.4/72.4
C25	4030006860	S.CER C1608 JB 1H 102K-T	T	125.5/69.3
C26	4030006860	S.CER C1608 JB 1H 102K-T	T	109.0/61.6
C27	4030006860	S.CER C1608 JB 1H 102K-T	T	118.2/74.3
C30	4030018960	S.CER C3216 JB 1C 106MT-N	B	126.5/56.7
C31	4030017490	S.CER C1608 JB 1A 105K-T	T	143.5/68.9
C32	4030006990	S.CER C1608 CH 1H 080D-T	B	137.6/66.8
C33	4030006860	S.CER C1608 JB 1H 102K-T	T	144.0/61.9
C34	4030010210	S.CER C3216 JB 1C 105M-T	B	129.2/59.6
C35	4030017490	S.CER C1608 JB 1A 105K-T	T	140.8/57.8
C36	4030006860	S.CER C1608 JB 1H 102K-T	B	125.8/62.1
C37	4030017490	S.CER C1608 JB 1A 105K-T	T	137.2/57.8
C38	4030006860	S.CER C1608 JB 1H 102K-T	T	133.8/57.7
C39	4030018810	S.CER C3216 CH 1H 333J-T	B	119.0/66.0
C40	4030007090	S.CER C1608 CH 1H 470J-T	B	113.2/66.5
C41	4550006120	S.TAN TEESVA 0G 226M8R	T	141.8/54.9
C42	4550006120	S.TAN TEESVA 0G 226M8R	T	136.1/55.0
C50	4030007100	S.CER C1608 CH 1H 560J-T	B	141.1/77.6
C51	4030017490	S.CER C1608 JB 1A 105K-T	T	137.0/87.0
C53	4030017490	S.CER C1608 JB 1A 105K-T	T	137.0/77.7
C55	4030006860	S.CER C1608 JB 1H 102K-T	B	126.9/86.8
C56	4030017490	S.CER C1608 JB 1A 105K-T	B	128.6/86.8
C58	4030009510	S.CER C1608 CH 1H 010B-T	B	123.7/90.6
C59	4030006860	S.CER C1608 JB 1H 102K-T	B	123.8/85.6
C60	4030010210	S.CER C3216 JB 1C 105M-T	B	123.6/83.7
C62	4030010210	S.CER C3216 JB 1C 105M-T	T	117.6/86.2
C63	4030007100	S.CER C1608 CH 1H 100D-T	B	116.4/82.4
C72	4030006860	S.CER C1608 JB 1H 102K-T	B	127.0/72.0
C73	4030017490	S.CER C1608 JB 1A 105K-T	B	128.8/72.0
C75	4030009510	S.CER C1608 CH 1H 010B-T	B	123.8/75.8
C76	4030006860	S.CER C1608 JB 1H 102K-T	B	122.8/80.2
C77	4030010210	S.CER C3216 JB 1C 105M-T	B	123.4/67.5
C79	4030010210	S.CER C3216 JB 1C 105M-T	T	117.6/80.0
C80	4030018960	S.CER C3216 JB 1C 106MT-N	B	117.6/88.7
C90	4030006900	S.CER C1608 JB 1H 103K-T	T	105.2/81.9
C91	4030006900	S.CER C1608 JB 1H 103K-T	T	107.0/97.8
C110	4030007080	S.CER C1608 CH 1H 390J-T	T	98.6/88.7
C111	4030007030	S.CER C1608 CH 1H 150J-T	T	98.4/84.1
C112	4030007130	S.CER C1608 CH 1H 101J-T	T	94.6/85.6
C113	4030007060	S.CER C1608 CH 1H 270J-T	T	97.7/82.2
C114	4030007080	S.CER C1608 CH 1H 390J-T	B	86.6/88.7
C115	4030007170	S.CER C1608 CH 1H 221J-T	B	83.5/88.7
C116	4030007130	S.CER C1608 CH 1H 101J-T	T	92.6/81.7
C117	4030007100	S.CER C1608 CH 1H 560J-T	B	85.1/87.2
C119	4030007050	S.CER C1608 CH 1H 220J-T	T	98.6/89.9
C120	4030007020	S.CER C1608 CH 1H 120J-T	T	94.6/87.1
C130	4030006860	S.CER C1608 JB 1H 102K-T	T	73.1/95.8
C131	4030006900	S.CER C1608 JB 1H 103K-T	B	88.2/73.9
C132	4030007140	S.CER C1608 CH 1H 121J-T	B	78.1/75.1
C133	403000			

[RF-A UNIT]

REF NO.	PARTS NO.	DESCRIPTION	M.	H/V LOCATION
C215	4030007120	S.CER C1608 CH 1H 820J-T	B	55.2/73.3
C216	4030007120	S.CER C1608 CH 1H 820J-T	B	55.2/65.3
C217	4030011340	S.CER C1608 CH 1H 471J-T	T	72.2/64.6
C218	4030007110	S.CER C1608 CH 1H 680J-T	T	69.5/64.6
C290	4030007100	S.CER C1608 CH 1H 560J-T	T	89.4/61.6
C291	4030007000	S.CER C1608 CH 1H 090D-T	T	88.6/63.5
C292	4030007120	S.CER C1608 CH 1H 820J-T	T	87.9/61.6
C293	4030007050	S.CER C1608 CH 1H 220J-T	T	86.4/62.7
C294	4030007080	S.CER C1608 CH 1H 390J-T	T	84.8/59.3
C295	4030007100	S.CER C1608 CH 1H 560J-T	T	80.9/61.3
C296	4030011340	S.CER C1608 CH 1H 471J-T	T	77.9/59.1
C297	4030007070	S.CER C1608 CH 1H 330J-T	T	75.9/59.8
C298	4030007150	S.CER C1608 CH 1H 151J-T	T	75.9/58.5
C299	4030007110	S.CER C1608 CH 1H 680J-T	T	73.3/59.8
C316	4510008540	S.ELE EEE1CA100SR	T	141.3/5.1
C317	4030011600	S.CER C1608 JB 1E 104K-T	B	141.0/6.0
C318	4030011600	S.CER C1608 JB 1E 104K-T	B	141.0/3.4
C319	4510008500	S.ELE EEE1CA101WP	T	147.3/5.2
C321	4030011600	S.CER C1608 JB 1E 104K-T	T	59.8/62.2
C322	4030011600	S.CER C1608 JB 1E 104K-T	B	64.0/57.7
C323	4030007000	S.CER C1608 CH 1H 090D-T	T	60.5/54.9
C324	4030006900	S.CER C1608 JB 1H 103K-T	T	64.1/55.7
C380	4030006900	S.CER C1608 JB 1H 103K-T	T	32.0/76.9
C381	4030006860	S.CER C1608 JB 1H 102K-T	T	30.2/68.5
C382	4030006860	S.CER C1608 JB 1H 102K-T	T	28.4/68.5
C383	4030006860	S.CER C1608 JB 1H 102K-T	T	26.6/75.3
C384	4030006860	S.CER C1608 JB 1H 102K-T	T	32.0/75.3
C400	4030006900	S.CER C1608 JB 1H 103K-T	T	42.2/68.0
C401	4030009910	S.CER C1608 CH 1H 040B-T	T	44.5/56.4
C402	4030007030	S.CER C1608 CH 1H 150J-T	T	40.8/49.6
C403	4030009910	S.CER C1608 CH 1H 040B-T	T	43.9/46.6
C404	4030006900	S.CER C1608 JB 1H 103K-T	T	42.8/34.9
C405	4030007060	S.CER C1608 CH 1H 270J-T	T	44.5/57.6
C406	4030011770	S.CER C1608 CH 1H 060B-T	T	40.8/53.4
C407	4030007060	S.CER C1608 CH 1H 270J-T	T	43.9/45.4
C420	4030006900	S.CER C1608 JB 1H 103K-T	T	33.1/70.2
C421	4030009920	S.CER C1608 CH 1H 050B-T	T	35.9/58.6
C422	4030007020	S.CER C1608 CH 1H 120J-T	T	35.9/59.8
C423	4030009920	S.CER C1608 CH 1H 050B-T	T	32.2/55.6
C424	4030009920	S.CER C1608 CH 1H 050B-T	T	32.2/51.8
C425	4030009920	S.CER C1608 CH 1H 050B-T	T	35.3/48.8
C426	4030007020	S.CER C1608 CH 1H 120J-T	T	35.3/47.6
C427	4030006900	S.CER C1608 JB 1H 103K-T	T	35.6/36.6
C440	4030006900	S.CER C1608 JB 1H 103K-T	T	26.0/68.5
C441	4030006980	S.CER C1608 CH 1H 070D-T	T	27.3/57.6
C442	4030011770	S.CER C1608 CH 1H 060B-T	T	27.3/56.4
C443	4030011770	S.CER C1608 CH 1H 060B-T	T	23.5/53.4
C444	4030009540	S.CER C1608 CH 1H 1R5B-T	T	23.5/49.6
C445	4030011770	S.CER C1608 CH 1H 060B-T	T	26.7/46.6
C446	4030006980	S.CER C1608 CH 1H 070D-T	T	26.7/45.4
C447	4030006900	S.CER C1608 JB 1H 103K-T	T	25.6/35.2
C460	4030006900	S.CER C1608 JB 1H 103K-T	T	22.5/73.8
C461	4030006900	S.CER C1608 JB 1H 103K-T	T	16.4/70.7
C462	4030009910	S.CER C1608 CH 1H 040B-T	T	17.8/58.6
C463	4030009510	S.CER C1608 CH 1H 010B-T	T	15.0/55.6
C464	4030009910	S.CER C1608 CH 1H 040B-T	T	18.1/48.8
C465	4030006900	S.CER C1608 JB 1H 103K-T	T	18.4/36.6
C466	4030006900	S.CER C1608 JB 1H 103K-T	T	20.8/30.6
C467	4030011770	S.CER C1608 CH 1H 060B-T	T	18.7/59.8
C468	4030009570	S.CER C1608 CH 1H 0R3B-T	T	15.0/51.8
C469	4030011770	S.CER C1608 CH 1H 060B-T	T	18.1/47.6
C480	4030006860	S.CER C1608 JB 1H 102K-T	B	9.6/75.8
C481	4030006860	S.CER C1608 JB 1H 102K-T	B	10.0/68.9
C482	4030006900	S.CER C1608 JB 1H 103K-T	T	11.6/68.1
C483	4030009560	S.CER C1608 CH 1H R75B-T	T	10.1/56.4
C484	4030007050	S.CER C1608 CH 1H 220J-T	T	7.7/63.4
C485	4030009560	S.CER C1608 CH 1H R75B-T	T	9.5/46.6
C486	4030006900	S.CER C1608 JB 1H 103K-T	T	11.3/35.2
C487	4030006860	S.CER C1608 JB 1H 102K-T	B	11.9/32.3
C488	4030006860	S.CER C1608 JB 1H 102K-T	B	18.1/33.8
C490	4030007050	S.CER C1608 CH 1H 220J-T	T	11.9/40.0
C492	4030006900	S.CER C1608 JB 1H 103K-T	B	6.5/72.4
C493	4030006900	S.CER C1608 JB 1H 103K-T	B	7.2/69.4
C500	4030006860	S.CER C1608 JB 1H 102K-T	B	28.0/35.8
C501	4030006860	S.CER C1608 JB 1H 102K-T	B	28.0/31.5
C502	4030006860	S.CER C1608 JB 1H 102K-T	B	26.0/31.5
C503	4030006860	S.CER C1608 JB 1H 102K-T	B	26.0/35.8
C504	4030006900	S.CER C1608 JB 1H 103K-T	T	26.3/28.9
C520	4030010000	S.CER C1608 CH 1H 510J-T	T	20.1/23.2
C521	4030007140	S.CER C1608 CH 1H 121J-T	T	18.1/23.2
C523	4030006900	S.CER C1608 JB 1H 103K-T	T	15.7/21.1
C550	4030011600	S.CER C1608 JB 1E 104K-T	B	4.4/10.8
C551	4030011600	S.CER C1608 JB 1E 104K-T	B	6.2/10.8
C552	4030007010	S.CER C1608 CH 1H 100D-T	B	10.2/18.1
C553	4030006900	S.CER C1608 JB 1H 103K-T	B	3.7/16.4
C580	4030006980	S.CER C1608 CH 1H 070D-T	B	10.7/12.0
C581	4030006900	S.CER C1608 JB 1H 103K-T	B	10.7/10.2
C582	4030006900	S.CER C1608 JB 1H 103K-T	B	10.7/5.2
C583	4030007080	S.CER C1608 CH 1H 390J-T	B	24.5/8.3
C584	4030011780	S.CER C1608 CH 1H 102J-T	B	18.7/7.1
C585	4030006960	S.CER C1608 CH 1H 050C-T	B	27.8/10.9
C602	4030006900	S.CER C1608 JB 1H 103K-T	B	39.2/5.5
C611	4030007060	S.CER C1608 CH 1H 270J-T	T	35.7/3.3
C612	4030010760	S.CER C1608 CH 1H 331J-T	T	34.5/3.3
C613	4030007130	S.CER C1608 CH 1H 101J-T	T	31.0/8.1
C614	4030007130	S.CER C1608 CH 1H 101J-T	T	31.0/3.6
C620	4030006860	S.CER C1608 JB 1H 102K-T	B	19.4/9.0
C621	4030011600	S.CER C1608 JB 1E 104K-T	B	19.5/3.9
C622	4030011600	S.CER C1608 JB 1E 104K-T	B	26.9/4.5
C623	4550003210	S.TAN TEESVD21D226M12R	T	87.9/5.3
C624	4030011600	S.CER C1608 JB 1E 104K-T	B	82.6/7.1
C625	4030011600	S.CER C1608 JB 1E 104K-T	B	82.7/4.2
C626	4510008540	S.ELE EEE1CA100SR	T	93.2/5.4
C640	4030011600	S.CER C1608 JB 1E 104K-T	T	45.8/6.9
C642	4030007100	S.CER C1608 CH 1H 560J-T	T	43.4/4.3

[RF-A UNIT]

REF NO.	PARTS NO.	DESCRIPTION	M.	H/V LOCATION
C643	4510008540	S.ELE EEE1CA100SR	T	52.1/5.9
C644	4030006990	S.CER C1608 CH 1H 080D-T	T	44.6/4.3
C660	4030007100	S.CER C1608 CH 1H 560J-T	T	49.9/2.4
C671	4030007090	S.CER C1608 CH 1H 470J-T	T	58.6/4.5
C672	4030011600	S.CER C1608 JB 1E 104K-T	T	55.7/9.0
C673	4030011600	S.CER C1608 JB 1E 104K-T	T	58.4/9.2
C701	4030006900	S.CER C1608 JB 1H 103K-T	B	64.9/8.6
C705	4030006900	S.CER C1608 JB 1H 103K-T	B	59.0/7.5
C706	4030006900	S.CER C1608 JB 1H 103K-T	T	63.1/3.8
C707	4030006900	S.CER C1608 JB 1H 103K-T	T	63.2/7.6
C708	4030006900	S.CER C1608 JB 1H 103K-T	T	66.1/5.1
C709	4030007080	S.CER C1608 CH 1H 390J-T	T	66.6/3.0
C710	4030007110	S.CER C1608 CH 1H 680J-T	T	65.3/3.0
C730	4030007120	S.CER C1608 CH 1H 820J-T	T	47.4/20.8
C731	4030007020	S.CER C1608 CH 1H 120J-T	T	49.3/21.3
C732	4030007140	S.CER C1608 CH 1H 121J-T	T	47.4/22.0
C733	4030007070	S.CER C1608 CH 1H 330J-T	T	50.5/23.3
C734	4030007110	S.CER C1608 CH 1H 680J-T	T	48.0/24.7
C735	4030011600	S.CER C1608 JB 1E 104K-T	T	38.1/2.1
C736	4030007050	S.CER C1608 CH 1H 220J-T	T	46.6/24.7
C737	4030007110	S.CER C1608 CH 1H 680J-T	T	42.5/21.8
C738	4030006900	S.CER C1608 JB 1H 103K-T	T	38.1/18.7
C740	4030006900	S.CER C1608 JB 1H 103K-T	T	38.1/12.4
C800	4030006900	S.CER C1608 JB 1H 103K-T	T	108.4/1.1
C801	4030011340	S.CER C1608 CH 1H 471J-T	B	116.3/8.3
C802	4030006900	S.CER C1608 JB 1H 103K-T	B	150.9/9.1
C803	4030011340	S.CER C1608 CH 1H 471J-T	B	118.5/8.3
C804	4030006900	S.CER C1608 JB 1H 103K-T	T	151.6/35.0
C805	4030011340	S.CER C1608 CH 1H 471J-T	B	121.3/9.5
C806	4030011600	S.CER C1608 JB 1E 104K-T	T	155.6/46.8
C807	4030011600	S.CER C1608 JB 1E 104K-T	T	155.6/39.0
C850	4510008540	S.ELE EEE1CA100SR	T	154.6/12.1
C851	4030011600	S.CER C1608 JB 1E 104K-T	B	154.7/11.7
C852	4030011600	S.CER C1608 JB 1E 104K-T	B	154.4/18.3
C853	4510008500	S.ELE EEE1CA101WP	T	153.9/18.2
C903	4030011600	S.CER C1608 JB 1E 104K-T	T	137.1/16.0
C905	4030011600	S.CER C1608 JB 1E 104K-T	B	142.5/21.6
C950	4030017810	S.CER C1608 CH 1H 102J-T	T	130.3/23.6
C951	4030011600	S.CER C1608 JB 1E 104K-T	T	133.6/12.3
C952	4030011600	S.CER C1608 JB 1E 104K-T	T	128.5/20.1
C956	4030011600	S.CER C1608 JB 1E 104K-T	T	137.3/34.1
C957	4030011600	S.CER C1608 JB 1E 104K-T	T	129.2/28.0
C1000	4030007050	S.CER C1608 CH 1H 220J-T	B	147.9/32.0
C1001	4030011600	S.CER C1608 JB 1E 104K-T	B	145.3/29.3
C1002	4510008500	S.ELE EEE1CA101WP	T	142.4/26.3
C1003	4510008500	S.ELE EEE1CA101WP	T	142.3/33.7
C1004	4030017870	S.CER C1608 CH 1H 681J-T	B	141.5/27.8
C1005	4030011600	S.CER C1608 JB 1E 104K-T	B	137.2/33.9
C1011	4030007110	S.CER C1608 CH 1H 680J-T	T	66.1/7.7
C1012	4030016900	S.CER C1608 JB 1H 103K-T	T	66.1/9.0
C1013	4030011600	S.CER C1608 JB 1E 104K-T	T	64.8/13.0
C1014	4030011600	S.CER C1608 JB 1E 104K-T	T	72.7/12.2
C1015	4030011600	S.CER C1608 JB 1E 104K-T	T	66.9/15.2
C1016	4030006900	S.CER C1608 JB 1H 103K-T	T	72.0/14.7
C1021	4030006900	S.CER C1608 JB 1H 103K-T	T	74.4/22.5
C1022	4030011600	S.CER C1608 JB 1E 104K-T	T	68.2/20.5
C1023	4030011600	S.CER C1608 JB 1E 104K-T	T	70.6/25.5
C1024	4030011600	S.CER C1608 JB 1E 104K-T	T	64.2/20.0
C1025	4030006900	S.CER C1608 JB 1H 103K-T	T	66.2/25.7
C1030	4510008540	S.ELE EEE1CA100SR	T	76.4/43.8
C1031	4030011600	S.CER C1608 JB 1E 104K-T	B	76.5/40.3
C1032	4030011600	S.CER C1608 JB 1E 104K-T	B	72.5/47.1
C1033	4510008540	S.ELE EEE1CA100SR	T	71.5/44.2
C1034	4030011600	S.CER C1608 JB 1E 104K-T	T	69.0/35.3
C1035	4030007120	S.CER C1608 CH 1H 820J-T	T	70.4/36.5
C1036	4510008500	S.ELE EEE1CA101WP	T	58.8/28.0
C1037	4030011600	S.CER C1608 JB 1E 104K-T	T	67.8/32.7
C1038	4030006860	S.CER C1608 JB 1H 102K-T	T	70.4/32.0
C1039	4030011600	S.CER C1608 JB 1E 104K-T	T	77.0/34.2
C1040	4030011600	S.CER C1608 JB 1E 104K-T	T	77.0/35.4
C1041	4030006900	S.CER C1608 JB 1H 103K-T	T	73.8/30.5

[RF-A UNIT]

REF NO.	PARTS NO.	DESCRIPTION	M.	H/V LOCATION
C1209	4030017480	S.CER C1608 JB 1A 474K-T	B	97.4/14.3
C1210	4030006900	S.CER C1608 JB 1H 103K-T	B	94.6/42.9
C1211	4030006900	S.CER C1608 JB 1H 103K-T	B	99.3/14.3
C1212	4550007660	S.TAN F931E105MAABMA	B	87.7/44.4
C1213	4550007660	S.TAN F931E105MAABMA	B	87.3/13.5
C1214	4030018640	S.CER C2012 CH 1H 103J-T	B	88.5/35.5
C1215	4030018640	S.CER C2012 CH 1H 103J-T	B	88.5/21.0
C1216	4030011600	S.CER C1608 JB 1E 104K-T	B	101.2/8.9
C1255	4030007120	S.CER C1608 CH 1H 820J-T	B	79.2/28.5
C1256	4030007120	S.CER C1608 CH 1H 820J-T	B	79.3/20.8
C1310	4030006900	S.CER C1608 JB 1H 103K-T	B	85.8/30.9
C1311	4030011600	S.CER C1608 JB 1E 104K-T	T	90.4/32.3
C1312	4030017810	S.CER C1608 CH 1H 102J-T	B	99.2/35.7
C1313	4030017810	S.CER C1608 CH 1H 102J-T	B	98.6/21.1
C1314	4610001970	S.TRI TZC3P200A110R00 (TZC03P200A1102)	T	85.5/29.3
C1315	4030007050	S.CER C1608 CH 1H 220J-T	T	85.5/25.8
C1316	4030006860	S.CER C1608 JB 1H 102K-T	B	96.3/28.3
C1317	4030011600	S.CER C1608 JB 1E 104K-T	B	94.2/24.7
C1318	4030006900	S.CER C1608 JB 1H 103K-T	B	102.2/30.2
C1319	4550007200	S.TAN F930J476MBABMA	B	91.3/28.4
C1320	4030006900	S.CER C1608 JB 1H 103K-T	B	93.6/32.3
RL20	6330001721	REL ATN207-K1		
RL21	6330001721	REL ATN207-K1		
RL90	6330001721	REL ATN207-K1		
RL91	6330001721	REL ATN207-K1		
J1	6510007020	CON TMP-J01X-V6		
J2	6510007020	CON TMP-J01X-V6		
J190	6510007020	CON TMP-J01X-V6		
J210	6510007020	CON TMP-J01X-V6		
J290	6510007020	CON TMP-J01X-V6		
J500	6510007020	CON TMP-J01X-V6		
J671	6510007020	CON TMP-J01X-V6		
J730	6510007020	CON TMP-J01X-V6		
J800	6510019981	S.CON 52808-1671(1690)	T	116.0/5.8
J900	6510018961	S.CON B2B-PH-SM4-TB(LF)(SN)	T	152.9/27.8
J1310	6510007020	CON TMP-J01X-V6		
EP130	6910014730	S.BEA MPZ2012S331A-T	B	91.1/75.4
EP401	6910002161	CAS CASE-BM7H-LF		
EP402	6910002161	CAS CASE-BM7H-LF		
EP421	6910002161	CAS CASE-BM7H-LF		
EP422	6910002161	CAS CASE-BM7H-LF		
EP441	6910002161	CAS CASE-BM7H-LF		
EP442	6910002161	CAS CASE-BM7H-LF		
EP461	6910002161	CAS CASE-BM7H-LF		
EP462	6910002161	CAS CASE-BM7H-LF		
EP481	6910002161	CAS CASE-BM7H-LF		
EP482	6910002161	CAS CASE-BM7H-LF		
EP800	6910015970	S.BEA MMZ1608B 301CT-AS	T	115.5/10.4
EP801	6910015970	S.BEA MMZ1608B 301CT-AS	T	116.7/10.4
EP802	6910015970	S.BEA MMZ1608B 301CT-AS	T	117.9/10.4
EP803	6910015970	S.BEA MMZ1608B 301CT-AS	T	112.5/10.4
EP804	6910015970	S.BEA MMZ1608B 301CT-AS	T	114.3/10.4
EP805	6910014730	S.BEA MPZ2012S331A-T	B	108.5/11.4

[RF-B UNIT]

REF NO.	PARTS NO.	DESCRIPTION	M.	H/V LOCATION
IC801	1110006180	S.IC UPG2009TB-E3	T	43.1/114.5
IC802	1110006180	S.IC UPG2009TB-E3	T	41.8/80.8
IC1201	1110006970	S.IC MAALSS0038TR <M/A>	T	29.8/99.0
IC1202	1110007090	S.IC NJG1608KB2-TE1-#ZZZB	T	26.3/58.2
IC1203	1110007090	S.IC NJG1608KB2-TE1-#ZZZB	T	29.7/71.3
IC1204	1110007090	S.IC NJG1608KB2-TE1-#ZZZB	T	29.7/65.4
IC1241	1110006970	S.IC MAALSS0038TR <M/A>	T	44.5/70.3
IC1251	1110006970	S.IC MAALSS0038TR <M/A>	T	51.6/64.0
IC1302	1110006970	S.IC MAALSS0038TR <M/A>	T	103.1/9.9
IC1601	1180001072	S.IC TA7805F(TE16L1NQ)	B	8.3/110.8
IC1602	1180001072	S.IC TA7805F(TE16L1NQ)	B	152.6/28.7
IC1603	1130011530	S.IC CD74HC4094M96	B	135.5/54.7
IC1604	1130011530	S.IC CD74HC4094M96	B	135.5/42.9
IC1605	1130011530	S.IC CD74HC4094M96	B	7.4/79.9
IC1607	1130005721	S.IC TC7W04F(TE12LF)	T	99.5/51.6
IC1608	1180001252	S.IC TA7808F(TE16L1NQ)	B	161.1/41.1
IC1701	1110002700	S.IC NJM2904M-TE1-#FMZB	T	86.6/50.8
IC1703	1160000132	S.IC TD62783AFG(OSEL)	T	123.4/52.9
IC5004	1180002770	S.REG BAJ0CC0FP-E2	B	151.5/63.2
Q1201	1590003630	S.TRA EMD29-T2R	T	22.5/92.5
Q1202	1590003940	S.TRA RN1105(TE85LF)	T	18.3/78.3
Q1241	1590003630	S.TRA EMD29-T2R	T	56.9/71.2
Q1251	1590003930	S.TRA UMD22N TR	T	74.2/52.2
Q1252	1590003930	S.TRA UMD22N TR	T	74.2/49.1
Q1253	1590003930	S.TRA UMD22N TR	T	74.2/45.9
Q1254	1590003630	S.TRA EMD29-T2R	T	74.1/55.0
Q1302	1590003930	S.TRA UMD22N TR	T	106.9/23.1
Q1304	1590003930	S.TRA UMD22N TR	T	104.4/23.1
Q1401	1590003930	S.TRA UMD22N TR	T	135.3/39.2
Q1402	1590003930	S.TRA UMD22N TR	T	130.3/39.2
Q1403	1590003930	S.TRA UMD22N TR	T	132.8/39.2
Q1601	1550000090	S.FET RSQ035P03TR	T	154.2/37.6
Q1602	1590003940	S.TRA RN1105(TE85LF)	T	160.1/39.1
D101	1790001621	S.DIO 1SV308(TPL3F)	B	139.2/112.5
D106	1790001621	S.DIO 1SV308(TPL3F)	B	136.8/72.7
D201	1790001621	S.DIO 1SV308(TPL3F)	B	137.5/111.7
D206	1790001621	S.DIO 1SV308(TPL3F)	B	134.8/73.5
D301	1790001621	S.DIO 1SV308(TPL3F)	B	123.5/111.7
D306	1790001621	S.DIO 1SV308(TPL3F)	B	121.7/73.5
D401	1790001621	S.DIO 1SV308(TPL3F)	B	108.3/111.7
D407	1790001621	S.DIO 1SV308(TPL3F)	B	108.8/73.5
D501	1790001621	S.DIO 1SV308(TPL3F)	B	94.5/111.7
D507	1790001621	S.DIO 1SV308(TPL3F)	B	95.2/73.5
D601	1790001621	S.DIO 1SV308(TPL3F)	B	82.2/111.7
D606	1790001621	S.DIO 1SV308(TPL3F)	B	79.2/72.8
D607	1790001621	S.DIO 1SV308(TPL3F)	B	84.8/112.5
D608	1790001621	S.DIO 1SV308(TPL3F)	B	82.5/72.0
D701	1790001621	S.DIO 1SV308(TPL3F)	B	75.8/112.5
D702	1790001621	S.DIO 1SV308(TPL3F)	B	74.0/111.7
D707	1790001621	S.DIO 1SV308(TPL3F)	B	67.5/73.3
D708	1790001621	S.DIO 1SV308(TPL3F)	B	67.5/72.0
D802	1790001621	S.DIO 1SV308(TPL3F)	B	59.6/111.1
D809	1790001621	S.DIO 1SV308(TPL3F)	B	55.6/76.9
D831	1750000461	S.DIO 1SV246-TL-E	B	42.8/75.2
D1204	1750001051	S.VAR HVC417CTRU-E	T	25.4/80.2
D1205	1750001051	S.VAR HVC417CTRU-E	T	22.9/80.2
D1206	1750001051	S.VAR HVC417CTRU-E	T	26.6/81.6
D1207	1750001051	S.VAR HVC417CTRU-E	T	22.9/81.6
D1251	1790001621	S.DIO 1SV308(TPL3F)	T	63.1/60.6
D1252	1790001621	S.DIO 1SV308(TPL3F)	T	61.8/60.6
D1253	1790001621	S.DIO 1SV308(TPL3F)	T	60.5/60.6
D1256	1720000261	S.VAR 1SV214(TPH2F)	T	44.2/48.7
D1257	1720000261	S.VAR 1SV214(TPH2F)	T	45.8/46.4
D1258	1790001621	S.DIO 1SV308(TPL3F)	T	61.2/45.9
D1259	1790001621	S.DIO 1SV308(TPL3F)	T	59.2/46.7
D1260	1790001621	S.DIO 1SV308(TPL3F)	T	39.8/47.1
D1261	1790001621	S.DIO 1SV308(TPL3F)	T	39.8/45.9
D1301	1790001621	S.DIO 1SV308(TPL3F)	B	63.7/20.1
D1302	1790001621	S.DIO 1SV308(TPL3F)	B	62.4/22.8
D1303	1790001621	S.DIO 1SV308(TPL3F)	B	98.8/13.2
D1304	1790001621	S.DIO 1SV308(TPL3F)	B	100.6/14.0
D1601	1750000520	S.DIO DAN222TL	T	142.6/42.5
D1602	1750000520	S.DIO DAN222TL	T	107.4/46.0
D1603	1750000520	S.DIO DAN222TL	T	102.1/45.8
F11315	4580000210	FIL FL-403		
F11316	4580000210	FIL FL-403		
L101	6200003261	S.COI NLV32T-101J	B	153.6/107.0
L102	6200010530	S.COI C2520C-R56G-A (0.56U)	T	152.1/104.5
L103	6200011450	S.COI C2520C-R39G-A	T	151.5/100.8
L104	6200010870	S.COI C2520C-R33G-A (0.33U)	T	152.1/97.2
L105	6200010670	S.COI C2520C-R18G-A (0.18U)	T	147.8/91.5
L106	6200010660	S.COI C2520C-R15G-A (0.15U)	T	148.5/88.0
L107	6200010860	S.COI C2520C-R10G-A (0.1U)	T	148.2/84.1
L110	6200003261	S.COI NLV32T-101J	B	151.1/77.7
L201	6200003261	S.COI NLV32T-101J	B	140.3/107.0
L202	6200010870	S.COI C2520C-R33G-A (0.33U)	T	139.0/104.6
L203	6200010680	S.COI C2520C-R22G-A (0.22U)	T	138.4/100.8
L204	6200010670	S.COI C2520C-R18G-A (0.18U)	T	138.8/97.1
L205	6200010650	S.COI C2520C-R12G-A (0.12U)	T	134.6/91.4
L206	6200010860	S.COI C2520C-R10G-A (0.1U)	T	135.4/87.9
L207	6200010730	S.COI C2520C-68NG-A	T	134.8/84.1
L210	6200003261	S.COI NLV32T-101J	B	137.6/78.3
L301	6200003261	S.COI NLV32T-101J	B	126.5/107.0
L302	6200010670	S.COI C2520C-R18G-A (0.18U)	T	125.1/104.5
L303	6200010650	S.COI C2520C-R12G-A (0.12U)	T	124.7/100.8
L304	6200010650	S.COI C2520C-R12G-A (0.12U)	T	125.3/97.0
L305	6200012990	S.COI 0.25-1.9-9TL 84.0N <COMO>	T	120.6/91.5

M.=Mounted side (T: Mounted on the Top side, B: Mounted on the Bottom side)
S.=Surface mount

[RF-B UNIT]

REF NO.	PARTS NO.	DESCRIPTION	M.	H/V LOCATION
L306	6200012450	S.COI 0.25-1.9-8TL 73N (COAT) <COMO>	T	121.4/87.8
L307	6200010720	S.COI C2520C-56NG-A	T	121.1/84.1
L310	6200003261	S.COI NLV32T-101J	B	124.2/78.4
L401	6200001831	S.COI NLV32T-100J	B	111.3/106.9
L402	6200010670	S.COI C2520C-R18G-A (0.18U)	T	110.0/104.4
L403	6200010860	S.COI C2520C-R10G-A (0.1U)	T	110.7/100.8
L404	6200011410	S.COI C2520C-82NG-A	T	110.0/97.1
L405	6200010720	S.COI C2520C-56NG-A	T	106.9/90.1
L406	6200011800	S.COI C2520C-47NG-A	T	107.7/86.5
L407	6200012360	S.COI C2520C-33NG-A	T	107.3/82.8
L411	6200001831	S.COI NLV32T-100J	B	111.8/77.9
L501	6200001831	S.COI NLV32T-100J	B	97.4/107.1
L502	6200011410	S.COI C2520C-82NG-A	T	96.1/104.5
L503	6200010720	S.COI C2520C-56NG-A	T	96.8/100.8
L504	6200011800	S.COI C2520C-47NG-A	T	96.2/97.1
L505	6200012360	S.COI C2520C-33NG-A	T	92.9/90.2
L506	6200010760	S.COI C2520C-27NG-A	T	93.7/86.4
L507	6200010590	S.COI C2520C-22NG-A	T	93.7/82.7
L511	6200001831	S.COI NLV32T-100J	B	96.6/79.7
L601	6200003331	S.COI NLV32T-1R0J	B	86.9/107.2
L602	6200010940	S.COI C2520C-39NG-A	T	79.7/105.9
L603	6200010760	S.COI C2520C-27NG-A	T	80.3/101.9
L604	6200010760	S.COI C2520C-27NG-A	T	79.3/98.1
L605	6200010760	S.COI C2520C-27NG-A	T	82.8/94.1
L606	6200010590	S.COI C2520C-22NG-A	T	82.9/87.7
L607	6200010030	S.COI C2012C-15NG-A	T	82.4/84.1
L611	6200003331	S.COI NLV32T-1R0J	B	84.4/76.4
L701	6200010760	S.COI C2520C-27NG-A	T	64.9/105.7
L702	6200003331	S.COI NLV32T-1R0J	B	73.5/105.7
L703	6200010590	S.COI C2520C-22NG-A	T	66.2/101.8
L704	6200012140	S.COI C2520C-18NG-A	T	65.0/97.9
L705	6200012140	S.COI C2520C-18NG-A	T	68.2/94.3
L706	6200010030	S.COI C2012C-15NG-A	T	67.7/87.8
L707	6200011690	S.COI C2520C-12NG-A	T	67.9/83.8
L713	6200003331	S.COI NLV32T-1R0J	B	71.2/77.0
L801	6200003331	S.COI NLV32T-1R0J	B	59.5/105.4
L802	6200009070	S.COI LQW18AN18NG00D (LQW1608A18NG00)	T	52.5/104.7
L803	6200009220	S.COI LQW18AN15NG00D (LQW1608A15NG00)	T	52.9/101.4
L804	6200010700	S.COI LQW18AN12NG00D	T	52.2/98.3
L805	6200010700	S.COI LQW18AN12NG00D	T	56.8/94.1
L806	6200011730	S.COI LQW18AN10NG00D	T	56.1/91.9
L807	6200010130	S.COI LQW18AN6N8C00D	T	55.7/88.6
L811	6200003331	S.COI NLV32T-1R0J	B	56.5/80.0
L901	6200009220	S.COI LQW18AN15NG00D (LQW1608A15NG00)	T	38.4/104.4
L902	6200011730	S.COI LQW18AN10NG00D	T	39.3/101.2
L903	6200010630	S.COI LQW18AN8N2D00D	T	38.4/98.1
L904	6200010630	S.COI LQW18AN8N2D00D	T	42.9/93.8
L905	6200010130	S.COI LQW18AN6N8C00D	T	42.1/91.6
L906	6200010120	S.COI LQW18AN5N6C00D	T	41.0/87.4
L1201	6200001831	S.COI NLV32T-100J	T	24.6/96.8
L1203	6200005641	S.COI ELJRE 6N8ZFA	T	27.9/80.0
L1204	6200005621	S.COI ELJRE 4N7ZFA	T	28.7/82.3
L1205	6200006771	S.COI ELJRE 1N5ZFA	T	29.3/88.3
L1207	6200006781	S.COI ELJRE 1N8ZFA	T	28.7/90.4
L1212	6200010940	S.COI C2520C-39NG-A	T	28.3/96.0
L1231	6200005611	S.COI ELJRE 3N9ZFA	T	26.5/68.3
L1241	6200010670	S.COI C2520C-R18G-A (0.18U)	T	47.4/70.8
L1242	6200001831	S.COI NLV32T-100J	T	53.7/71.5
L1251	6200001831	S.COI NLV32T-100J	T	58.5/66.8
L1252	6200010670	S.COI C2520C-R18G-A (0.18U)	T	54.7/66.1
L1253	6200003331	S.COI NLV32T-1R0J	T	51.9/54.7
L1254	6200005701	S.COI ELJRE 22NGFA	T	52.4/47.2
L1255	6200005631	S.COI ELJRE 5N6ZFA	T	48.5/53.3
L1256	6200005721	S.COI ELJRE 33NGFA	T	63.7/53.1
L1257	6200005671	S.COI ELJRE 12NGFA	T	59.2/53.1
L1260	6200005731	S.COI ELJRE 39NGFA	T	63.0/48.7
L1261	6200005681	S.COI ELJRE 15NGFA	T	58.5/48.7
L1262	6200005611	S.COI ELJRE 3N9ZFA	T	44.2/51.9
L1263	6200005631	S.COI ELJRE 5N6ZFA	T	43.5/54.0
L1264	6200005611	S.COI ELJRE 3N9ZFA	T	40.2/53.3
L1265	6200005601	S.COI ELJRE 3N3ZFA	T	40.2/49.6
L1266	6200001831	S.COI NLV32T-100J	B	66.9/47.6
L1267	6200003331	S.COI NLV32T-1R0J	B	62.3/44.8
L1268	6200003331	S.COI NLV32T-1R0J	B	39.9/45.1
L1301	6200002631	S.COI NLV25T-R10J	B	67.8/15.6
L1302	6200001981	S.COI NLV25T-R0J	B	62.1/29.5
L1303	6200010590	S.COI C2520C-22NG-A	T	67.2/19.4
L1304	6200010590	S.COI C2520C-22NG-A	T	74.5/19.4
L1305	6200010590	S.COI C2520C-22NG-A	T	82.3/19.3
L1306	6200010590	S.COI C2520C-22NG-A	T	89.6/19.9
L1307	6200010030	S.COI C2012C-15NG-A	T	93.4/24.6
L1308	6200001981	S.COI NLV25T-R0J	B	102.9/18.4
L1309	6200002631	S.COI NLV25T-R10J	T	101.0/17.4
L1311	6200007710	S.COI LQW2BHN27N303L	B	98.4/20.8
L1341	6200010670	S.COI C2520C-R18G-A (0.18U)	T	104.0/13.7
L1342	6200001831	S.COI NLV32T-100J	T	105.4/17.5
R102	7030003320	S.RES ERJ3GEYJ 101 V (100)	B	156.5/102.8
R111	7030003320	S.RES ERJ3GEYJ 101 V (100)	B	152.5/75.0
R202	7030003320	S.RES ERJ3GEYJ 101 V (100)	B	144.4/104.7
R211	7030003320	S.RES ERJ3GEYJ 101 V (100)	B	140.7/77.6
R302	7030003320	S.RES ERJ3GEYJ 101 V (100)	B	137.7/104.7
R311	7030003320	S.RES ERJ3GEYJ 101 V (100)	B	120.5/77.6
R402	7030003320	S.RES ERJ3GEYJ 101 V (100)	B	115.4/104.7
R411	7030003320	S.RES ERJ3GEYJ 101 V (100)	B	114.0/75.7
R502	7030003320	S.RES ERJ3GEYJ 101 V (100)	B	101.5/104.8
R511	7030003320	S.RES ERJ3GEYJ 101 V (100)	B	98.1/76.7
R601	7030003320	S.RES ERJ3GEYJ 101 V (100)	B	87.6/102.4
R611	7030003320	S.RES ERJ3GEYJ 101 V (100)	B	88.0/76.5
R701	7030003320	S.RES ERJ3GEYJ 101 V (100)	B	74.9/102.9

[RF-B UNIT]

REF NO.	PARTS NO.	DESCRIPTION	M.	H/V LOCATION
R711	7030003320	S.RES ERJ3GEYJ 101 V (100)	B	74.7/76.4
R801	7030009810	S.RES ERJ12YJ821U (820)	B	54.6/112.6
R803	7030003320	S.RES ERJ3GEYJ 101 V (100)	B	60.8/102.8
R812	7030003320	S.RES ERJ3GEYJ 101 V (100)	B	60.0/77.4
R813	7030009810	S.RES ERJ12YJ821U (820)	B	50.8/75.9
R816	7030003440	S.RES ERJ3GEYJ 102 V (1K)	B	39.4/77.3
R817	7030003440	S.RES ERJ3GEYJ 102 V (1K)	B	40.9/118.5
R818	7030003440	S.RES ERJ3GEYJ 102 V (1K)	B	42.5/118.5
R819	7030003440	S.RES ERJ3GEYJ 102 V (1K)	B	44.3/77.3
R820	7030003520	S.RES ERJ3GEYJ 472 V (4.7K)	T	37.9/115.8
R821	7030003440	S.RES ERJ3GEYJ 102 V (1K)	B	47.2/78.6
R1201	7030003440	S.RES ERJ3GEYJ 102 V (1K)	T	23.1/62.9
R1202	7030003440	S.RES ERJ3GEYJ 102 V (1K)	T	23.1/53.6
R1206	7030003680	S.RES ERJ3GEYJ 104 V (100K)	T	26.6/83.0
R1207	7030003680	S.RES ERJ3GEYJ 104 V (100K)	T	25.3/77.9
R1208	7030003640	S.RES ERJ3GEYJ 473 V (47K)	B	22.9/80.1
R1209	7030003640	S.RES ERJ3GEYJ 473 V (47K)	B	22.9/81.7
R1210	7030003440	S.RES ERJ3GEYJ 102 V (1K)	B	34.0/71.6
R1211	7030003440	S.RES ERJ3GEYJ 102 V (1K)	B	24.2/72.3
R1212	7030003440	S.RES ERJ3GEYJ 102 V (1K)	B	26.5/64.4
R1213	7030003440	S.RES ERJ3GEYJ 102 V (1K)	B	33.0/64.4
R1214	7030003440	S.RES ERJ3GEYJ 102 V (1K)	B	17.9/78.0
R1234	7030003680	S.RES ERJ3GEYJ 104 V (100K)	T	72.0/49.1
R1241	7030004030	S.RES ERJ3GEYJ 5R6 V (5.6)	T	39.5/73.1
R1242	7030003430	S.RES ERJ3GEYJ 821 V (820)	T	37.6/73.8
R1243	7030003430	S.RES ERJ3GEYJ 821 V (820)	T	37.6/72.3
R1251	7030003270	S.RES ERJ3GEYJ 390 V (39)	T	46.5/64.0
R1252	7030003340	S.RES ERJ3GEYJ 151 V (150)	T	44.0/67.3
R1253	7030003340	S.RES ERJ3GEYJ 151 V (150)	T	45.8/61.9
R1254	7030003340	S.RES ERJ3GEYJ 151 V (150)	T	57.5/61.5
R1255	7030003270	S.RES ERJ3GEYJ 390 V (39)	T	58.2/63.4
R1256	7030003340	S.RES ERJ3GEYJ 151 V (150)	T	59.0/61.5
R1257	7030009810	S.RES ERJ12YJ821U (820)	T	66.8/91.6
R1259	7030003680	S.RES ERJ3GEYJ 104 V (100K)	T	47.1/48.9
R1260	7030009810	S.RES ERJ12YJ821U (820)	B	32.9/44.8
R1261	7030003640	S.RES ERJ3GEYJ 473 V (47K)	B	47.4/48.4
R1263	7030003680	S.RES ERJ3GEYJ 104 V (100K)	T	72.0/52.2
R1265	7030003680	S.RES ERJ3GEYJ 104 V (100K)	B	36.5/42.9
R1266	7030003200	S.RES ERJ3GEYJ 100 V (10)	B	39.6/48.6
R1267	7030000010	S.RES MCR10EZJH JPW (000)	T	46.1/54.3
R1270	7030003370	S.RES ERJ3GEYJ 271 V (270)	B	26.8/48.4
R1271	7030003320	S.RES ERJ3GEYJ 180 V (18)	B	29.0/49.1
R1272	7030003370	S.RES ERJ3GEYJ 271 V (270)	B	26.8/49.9
R1301	7030003430	S.RES ERJ3GEYJ 821 V (820)	T	63.7/20.1
R1302	7030003320	S.RES ERJ3GEYJ 101 V (100)	B	65.3/14.5
R1303	7030000010	S.RES MCR10EZJH JPW (000)	B	66.8/9.9
R1306	7030003320	S.RES ERJ3GEYJ 101 V (100)	B	62.4/26.5
R1307	7030003680	S.RES ERJ3GEYJ 104 V (100K)	T	107.0/25.3
R1308	7030000010	S.RES MCR10EZJH JPW (000)	B	96.5/6.8
R1309	7030003680	S.RES ERJ3GEYJ 104 V (100K)	T	104.3/25.3
R1310	7030003370	S.RES ERJ3GEYJ 271 V (270)	T	79.4/25.5
R1311	7030003320	S.RES ERJ3GEYJ 180 V (18)	T	80.1/23.5
R1312	7030003370	S.RES ERJ3GEYJ 271 V (270)	T	80.9/25.5
R1315	7030003860	S.RES ERJ3GE JPW V	B	96.4/9.9
R1317	7030003320	S.RES ERJ3GEYJ 101 V (100)	B	101.4/16.1
R1318	7030003320	S.RES ERJ3GEYJ 101 V (100)	B	98.0/15.2
R1319	7030003430	S.RES ERJ3GEYJ 821 V (820)	B	101.4/11.9
R1321	7030004030	S.RES ERJ3GEYJ 5R6 V (5.6)	T	60.9/17.7
R1322	7030003430	S.RES ERJ3GEYJ 821 V (820)	T	63.0/17.7
R1323	7030003430	S.RES ERJ3GEYJ 821 V (820)	T	61.6/19.0
R1327	7030003860	S.RES ERJ3GE JPW V	B	82.9/6.9
R1331	7030003390	S.RES ERJ3GEYJ 391 V (390)	T	108.1/10.0
R1332	7030003210	S.RES ERJ3GEYJ 120 V (12)	T	110.7/11.5
R1333	7030003390	S.RES ERJ3GEYJ 391 V (390)	T	112.2/10.0
R1334	7510001820	S.THE NTCG16 3EH 101JT	T	108.1/11.5
R1601	7030003680	S.RES ERJ3GEYJ 104 V (100K)	T	153.8/40.0
R1602	7030003440	S.RES ERJ3GEYJ 102 V (1K)	T	157.3/38.4
R1605	7030003360	S.RES ERJ3GEYJ 221 V (220)	T	152.1/57.5
R1606	7030003360	S.RES ERJ3GEYJ 221 V (220)	T	152.1/58.8
R1607	7030003360	S.RES ERJ3GEYJ 221 V (220)	T	152.1/60.1
R1608	7030003860	S.RES ERJ3GE JPW V	T	152.0/49.1
R1611	7030003860	S.RES ERJ3GE JPW V	T	157.3/39.7
R1612	7030003560	S.RES ERJ3GEYJ 103 V (10K)	T	144.3/42.6
R1613	7030010260	S.RES ERJ1TYJ 3R3 U	B	159.2/35.8
R1614	7030003360	S.RES ERJ3GEYJ 221 V (220)	T	152.1/56.2
R1615	7030003640	S.RES ERJ3GEYJ 473 V (47K)	B	151.4/57.8
R1616	7030003640	S.RES ERJ3GEYJ 473 V (47K)	B	147.2/58.8
R1617	7030003640	S.RES ERJ3GEYJ 473 V (47K)	B	147.2/56.2
R1618	7030003640	S.RES ERJ3GEYJ 473 V (47K)	B	146.5/57.5
R1621	7030010540	S.RES ERJ1TYJ 330U (33)	B	19.8/11

[RF-B UNIT]

REF NO.	PARTS NO.	DESCRIPTION	M.	H/V LOCATION
C102	4030006880	S.CER C1608 JB 1H 472K-T	B	154.3/104.8
C103	4030007160	S.CER C1608 CH 1H 181J-T	T	148.4/106.5
C104	4030007160	S.CER C1608 CH 1H 181J-T	T	148.4/104.8
C105	4030007130	S.CER C1608 CH 1H 101J-T	T	147.6/102.8
C106	4030010760	S.CER C1608 CH 1H 331J-T	T	148.4/100.7
C107	4030007120	S.CER C1608 CH 1H 820J-T	T	147.6/98.6
C108	4030017810	S.CER C1608 CH 1H 102J-T	T	148.4/96.6
C109	4030007140	S.CER C1608 CH 1H 121J-T	T	146.4/95.9
C110	4030007120	S.CER C1608 CH 1H 820J-T	T	148.4/95.1
C111	4030006990	S.CER C1608 CH 1H 080D-T	T	147.1/93.8
C112	4030006880	S.CER C1608 JB 1H 472K-T	B	151.8/80.1
C113	4030006880	S.CER C1608 JB 1H 472K-T	T	146.9/78.5
C114	4030007130	S.CER C1608 CH 1H 101J-T	T	149.9/93.8
C115	4030009650	S.CER C1608 CH 1H 240J-T	T	150.9/88.6
C116	4030007010	S.CER C1608 CH 1H 100D-T	T	151.6/86.6
C117	4030007120	S.CER C1608 CH 1H 820J-T	T	151.6/84.1
C118	4030007090	S.CER C1608 CH 1H 470J-T	T	147.6/81.7
C119	4030007090	S.CER C1608 CH 1H 470J-T	T	147.6/80.4
C120	4030011600	S.CER C1608 JB 1E 104K-T	B	154.3/103.5
C121	4030011600	S.CER C1608 JB 1E 104K-T	B	151.8/81.4
C202	4030006880	S.CER C1608 JB 1H 472K-T	B	143.1/107.7
C203	4030007130	S.CER C1608 CH 1H 101J-T	T	135.3/106.5
C204	4030007130	S.CER C1608 CH 1H 101J-T	T	135.2/104.8
C205	4030007100	S.CER C1608 CH 1H 560J-T	T	134.5/102.9
C206	4030010750	S.CER C1608 CH 1H 201J-T	T	135.2/100.7
C207	4030007090	S.CER C1608 CH 1H 470J-T	T	134.5/98.7
C208	4030017870	S.CER C1608 CH 1H 681J-T	T	135.2/96.6
C209	4030007110	S.CER C1608 CH 1H 680J-T	T	133.3/95.9
C210	4030007100	S.CER C1608 CH 1H 560J-T	T	135.2/95.1
C211	4030011770	S.CER C1608 CH 1H 060B-T	T	134.0/93.8
C212	4030006880	S.CER C1608 JB 1H 472K-T	B	139.9/80.6
C213	4030006880	S.CER C1608 JB 1H 472K-T	T	133.5/78.5
C214	4030007120	S.CER C1608 CH 1H 820J-T	T	136.7/93.8
C215	4030007040	S.CER C1608 CH 1H 180J-T	T	137.7/88.5
C216	4030007110	S.CER C1608 CH 1H 680J-T	T	138.4/86.5
C217	4030007070	S.CER C1608 CH 1H 330J-T	T	134.3/81.9
C218	4030008750	S.CER C1608 CH 1H 360J-T	T	134.3/80.4
C219	4030011600	S.CER C1608 JB 1E 104K-T	B	144.4/107.7
C220	4030011600	S.CER C1608 JB 1E 104K-T	B	139.9/81.9
C302	4030006880	S.CER C1608 JB 1H 472K-T	B	129.4/107.7
C303	4030007100	S.CER C1608 CH 1H 560J-T	T	121.4/106.5
C304	4030007100	S.CER C1608 CH 1H 560J-T	T	121.4/104.9
C305	4030007070	S.CER C1608 CH 1H 330J-T	T	120.6/102.9
C306	4030007140	S.CER C1608 CH 1H 121J-T	T	121.4/100.7
C307	4030007070	S.CER C1608 CH 1H 330J-T	T	120.6/98.7
C308	4030010760	S.CER C1608 CH 1H 331J-T	T	121.4/96.7
C309	4030007100	S.CER C1608 CH 1H 560J-T	T	119.2/96.0
C310	4030008750	S.CER C1608 CH 1H 360J-T	T	121.3/95.2
C311	4030009530	S.CER C1608 CH 1H 030B-T	T	120.0/93.8
C312	4030006880	S.CER C1608 JB 1H 472K-T	B	126.8/80.8
C313	4030006880	S.CER C1608 JB 1H 472K-T	T	119.7/78.5
C314	4030007100	S.CER C1608 CH 1H 560J-T	T	122.6/93.8
C315	4030007020	S.CER C1608 CH 1H 120J-T	T	123.7/88.4
C316	4030007090	S.CER C1608 CH 1H 470J-T	T	124.4/86.4
C317	4030007010	S.CER C1608 CH 1H 100D-T	T	120.5/81.9
C318	4030009650	S.CER C1608 CH 1H 240J-T	T	121.7/79.3
C319	4030011600	S.CER C1608 JB 1E 104K-T	B	130.7/107.7
C320	4030011600	S.CER C1608 JB 1E 104K-T	B	126.8/82.1
C321	4030007030	S.CER C1608 CH 1H 150J-T	T	120.5/80.7
C401	4030007050	S.CER C1608 CH 1H 220J-T	T	106.3/106.5
C403	4030006850	S.CER C1608 JB 1H 471K-T	B	114.1/107.7
C404	4030007030	S.CER C1608 CH 1H 150J-T	T	106.3/104.6
C405	4030007010	S.CER C1608 CH 1H 100D-T	T	105.6/102.6
C406	4030007080	S.CER C1608 CH 1H 390J-T	T	107.5/100.7
C407	4030007010	S.CER C1608 CH 1H 100D-T	T	105.6/99.9
C408	4030007140	S.CER C1608 CH 1H 121J-T	T	106.3/97.7
C409	4030009650	S.CER C1608 CH 1H 240J-T	T	105.6/95.8
C410	4030007060	S.CER C1608 CH 1H 270J-T	T	106.3/93.8
C412	4030007080	S.CER C1608 CH 1H 390J-T	T	109.0/92.4
C413	4030006980	S.CER C1608 CH 1H 070D-T	T	110.3/87.1
C414	4030007070	S.CER C1608 CH 1H 330J-T	T	111.1/85.2
C415	4030006850	S.CER C1608 JB 1H 471K-T	B	114.0/80.1
C416	4030006860	S.CER C1608 JB 1H 102K-T	T	106.7/77.9
C417	4030007030	S.CER C1608 CH 1H 150J-T	T	106.7/80.5
C418	4030007030	S.CER C1608 CH 1H 150J-T	T	106.7/79.3
C419	4030011600	S.CER C1608 JB 1E 104K-T	B	115.4/107.7
C420	4030011600	S.CER C1608 JB 1E 104K-T	B	114.0/81.4
C501	4030009650	S.CER C1608 CH 1H 240J-T	T	92.3/106.7
C503	4030006850	S.CER C1608 JB 1H 471K-T	B	100.2/107.8
C504	4030009990	S.CER C1608 CH 1H 200J-T	T	92.3/105.0
C505	4030007030	S.CER C1608 CH 1H 150J-T	T	91.6/102.8
C506	4030007080	S.CER C1608 CH 1H 390J-T	T	93.7/100.5
C507	4030007020	S.CER C1608 CH 1H 120J-T	T	91.6/99.7
C508	4030007140	S.CER C1608 CH 1H 121J-T	T	92.3/97.6
C509	4030007030	S.CER C1608 CH 1H 150J-T	T	91.6/95.6
C510	4030007030	S.CER C1608 CH 1H 150J-T	T	92.3/93.7
C511	4030009520	S.CER C1608 CH 1H 020B-T	T	92.3/92.4
C512	4030009650	S.CER C1608 CH 1H 240J-T	T	95.0/92.4
C513	4030011770	S.CER C1608 CH 1H 060B-T	T	96.0/87.0
C514	4030009990	S.CER C1608 CH 1H 200J-T	T	96.8/85.1
C515	4030006850	S.CER C1608 JB 1H 471K-T	B	97.3/81.9
C516	4030006860	S.CER C1608 JB 1H 102K-T	T	93.1/77.9
C517	4030007010	S.CER C1608 CH 1H 100D-T	T	93.1/80.5
C518	4030007010	S.CER C1608 CH 1H 100D-T	T	93.1/79.3
C519	4030011600	S.CER C1608 JB 1E 104K-T	B	101.5/107.8
C520	4030011600	S.CER C1608 JB 1E 104K-T	B	97.3/83.2
C602	4030006850	S.CER C1608 JB 1H 471K-T	B	89.1/104.9
C603	4030007030	S.CER C1608 CH 1H 150J-T	T	85.1/106.5
C604	4030009990	S.CER C1608 CH 1H 200J-T	T	83.1/105.8
C605	4030006990	S.CER C1608 CH 1H 080D-T	T	85.1/103.6
C606	4030008750	S.CER C1608 CH 1H 360J-T	T	84.3/101.0
C607	4030006980	S.CER C1608 CH 1H 070D-T	T	85.1/98.9
C608	4030007140	S.CER C1608 CH 1H 121J-T	T	83.1/98.2
C609	4030007010	S.CER C1608 CH 1H 100D-T	T	85.1/96.2
C610	4030006990	S.CER C1608 CH 1H 080D-T	T	79.7/95.4

[RF-B UNIT]

REF NO.	PARTS NO.	DESCRIPTION	M.	H/V LOCATION
C611	4030009510	S.CER C1608 CH 1H 010B-T	T	80.5/93.5
C612	4030007030	S.CER C1608 CH 1H 150J-T	T	82.0/91.3
C613	4030009530	S.CER C1608 CH 1H 030B-T	T	82.0/90.1
C614	4030007020	S.CER C1608 CH 1H 120J-T	T	79.4/87.7
C615	4030006980	S.CER C1608 CH 1H 070D-T	T	80.1/84.3
C616	4030006850	S.CER C1608 JB 1H 471K-T	B	86.4/78.9
C617	4030006860	S.CER C1608 JB 1H 102K-T	T	81.3/78.7
C618	4030009920	S.CER C1608 CH 1H 050B-T	T	79.4/82.4
C619	4030011600	S.CER C1608 JB 1E 104K-T	B	89.1/103.6
C620	4030011600	S.CER C1608 JB 1E 104K-T	B	86.4/80.2
C702	4030007000	S.CER C1608 CH 1H 090D-T	T	71.6/105.4
C703	4030006850	S.CER C1608 JB 1H 471K-T	B	70.9/102.9
C704	4030007030	S.CER C1608 CH 1H 150J-T	T	68.3/104.6
C705	4030009920	S.CER C1608 CH 1H 050B-T	T	70.4/103.9
C706	4030007060	S.CER C1608 CH 1H 270J-T	T	69.7/101.2
C707	4030009920	S.CER C1608 CH 1H 050B-T	T	70.4/99.2
C708	4030007120	S.CER C1608 CH 1H 820J-T	T	68.5/98.4
C709	4030006980	S.CER C1608 CH 1H 070D-T	T	70.4/96.4
C710	4030009920	S.CER C1608 CH 1H 050B-T	T	65.1/97.4
C711	4030009560	S.CER C1608 CH 1H R75B-T	T	65.9/93.7
C712	4030006990	S.CER C1608 CH 1H 080D-T	T	67.4/91.5
C713	4030009520	S.CER C1608 CH 1H 020B-T	T	67.4/90.1
C714	4030006980	S.CER C1608 CH 1H 070D-T	T	64.6/87.4
C715	4030009350	S.CER C1608 CH 1H 3R5B-T	T	65.3/84.8
C716	4030009910	S.CER C1608 CH 1H 040B-T	T	64.6/82.4
C718	4030006850	S.CER C1608 JB 1H 471K-T	B	73.4/79.3
C719	4030006860	S.CER C1608 JB 1H 102K-T	T	67.7/78.1
C720	4030011600	S.CER C1608 JB 1E 104K-T	B	70.9/104.2
C721	4030011600	S.CER C1608 JB 1E 104K-T	B	73.4/80.6
C801	4030017810	S.CER C1608 CH 1H 102J-T	B	49.3/115.5
C803	4030006850	S.CER C1608 JB 1H 471K-T	B	56.8/102.7
C804	4030011770	S.CER C1608 CH 1H 060B-T	T	56.8/106.2
C805	4030007010	S.CER C1608 CH 1H 100D-T	T	54.7/105.4
C806	4030009910	S.CER C1608 CH 1H 040B-T	T	56.8/103.3
C807	4030007020	S.CER C1608 CH 1H 120J-T	T	56.1/101.4
C808	4030009910	S.CER C1608 CH 1H 040B-T	T	56.8/99.5
C809	4030007090	S.CER C1608 CH 1H 470J-T	T	54.4/97.6
C810	4030009920	S.CER C1608 CH 1H 050B-T	T	56.8/96.8
C811	4030009350	S.CER C1608 CH 1H 3R5B-T	T	53.2/94.9
C813	4030006990	S.CER C1608 CH 1H 080D-T	T	52.4/93.4
C815	4030006980	S.CER C1608 CH 1H 070D-T	T	53.5/90.5
C816	4030006850	S.CER C1608 JB 1H 471K-T	B	59.4/80.8
C817	4030017810	S.CER C1608 CH 1H 102J-T	T	54.2/84.3
C819	4030017810	S.CER C1608 CH 1H 102J-T	B	46.4/81.8
C821	4030006860	S.CER C1608 JB 1H 102K-T	B	41.5/113.9
C822	4030006860	S.CER C1608 JB 1H 102K-T	B	41.5/115.3
C823	4030006860	S.CER C1608 JB 1H 102K-T	B	44.3/78.6
C824	4030006860	S.CER C1608 JB 1H 102K-T	B	39.4/78.7
C825	4030006900	S.CER C1608 JB 1H 103K-T	T	40.0/115.1
C826	4030017810	S.CER C1608 CH 1H 102J-T	T	40.0/113.9
C828	4030006900	S.CER C1608 JB 1H 103K-T	B	46.4/80.5
C829	4030006900	S.CER C1608 JB 1H 103K-T	T	41.2/77.9
C830	4030017810	S.CER C1608 CH 1H 102J-T	T	42.5/77.9
C831	4030009350	S.CER C1608 CH 1H 3R5B-T	T	54.2/88.6
C832	4030009530	S.CER C1608 CH 1H 030B-T	T	53.5/86.4
C833	4030011600	S.CER C1608 JB 1E 104K-T	B	56.8/104.0
C834	4030011600	S.CER C1608 JB 1E 104K-T	B	60.7/80.2
C835	4030017810	S.CER C1608 CH 1H 102J-T	B	50.2/80.4
C836	4030006900	S.CER C1608 JB 1H 103K-T	B	49.0/80.4
C901	4030009510	S.CER C1608 CH 1H 010B-T	T	38.8/95.8
C902	4030009910	S.CER C1608 CH 1H 040B-T	T	42.9/105.9
C903	4030009920	S.CER C1608 CH 1H 050B-T	T	40.6/105.1
C904	4030009520	S.CER C1608 CH 1H 020B-T	T	42.9/103.2
C905	4030007010	S.CER C1608 CH 1H 100D-T	T	42.1/101.2
C906	4030009520	S.CER C1608 CH 1H 020B-T	T	42.9/99.3
C907	4030007070	S.CER C1608 CH 1H 330J-T	T	40.7/97.4
C908	4030009520	S.CER C1608 CH 1H 020B-T	T	42.9/96.6
C910	4030009560	S.CER C1608 CH 1H R75B-T	T	38.8/94.6

[RF-B UNIT]

REF NO.	PARTS NO.	DESCRIPTION	M.	H/V LOCATION
C1251	4030007050	S.CER C1608 CH 1H 220J-T	T	45.3/64.0
C1252	4030007050	S.CER C1608 CH 1H 220J-T	T	58.2/64.6
C1253	4030017810	S.CER C1608 CH 1H 102J-T	T	48.4/63.3
C1254	4030006900	S.CER C1608 JB 1H 103K-T	T	48.4/62.0
C1255	4030006860	S.CER C1608 JB 1H 102K-T	T	51.7/67.3
C1256	4030006850	S.CER C1608 JB 1H 471K-T	T	51.7/66.0
C1257	4030017810	S.CER C1608 CH 1H 102J-T	T	55.5/62.2
C1258	4030006900	S.CER C1608 JB 1H 103K-T	T	55.5/63.4
C1259	4030017810	S.CER C1608 CH 1H 102J-T	T	61.8/63.2
C1260	4030006900	S.CER C1608 JB 1H 103K-T	T	60.5/63.2
C1261	4030007010	S.CER C1608 CH 1H 100D-T	T	52.8/52.5
C1262	4030007030	S.CER C1608 CH 1H 150J-T	T	52.4/50.1
C1263	4030007010	S.CER C1608 CH 1H 100D-T	T	50.1/52.5
C1264	4030007010	S.CER C1608 CH 1H 100D-T	T	61.8/55.1
C1265	4030011770	S.CER C1608 CH 1H 060B-T	T	57.3/55.1
C1266	4030009520	S.CER C1608 CH 1H 020B-T	T	62.5/53.1
C1268	4030009540	S.CER C1608 CH 1H 1R5B-T	T	58.0/53.1
C1270	4030007040	S.CER C1608 CH 1H 180J-T	T	61.8/51.1
C1271	4030007010	S.CER C1608 CH 1H 100D-T	T	57.3/51.1
C1272	4030009500	S.CER C1608 CH 1H 0R5B-T	T	63.0/49.9
C1273	4030009500	S.CER C1608 CH 1H 0R5B-T	T	58.5/49.9
C1274	4030011770	S.CER C1608 CH 1H 060B-T	T	45.8/50.4
C1275	4030007010	S.CER C1608 CH 1H 100D-T	T	61.8/47.4
C1276	4030011770	S.CER C1608 CH 1H 060B-T	T	57.3/47.5
C1277	4030009510	S.CER C1608 CH 1H 010B-T	T	38.9/54.8
C1278	4030009510	S.CER C1608 CH 1H 010B-T	T	41.5/53.3
C1279	4030009520	S.CER C1608 CH 1H 020B-T	T	39.4/51.4
C1280	4030006860	S.CER C1608 JB 1H 102K-T	B	68.3/51.1
C1281	4030006850	S.CER C1608 JB 1H 471K-T	B	64.8/44.1
C1282	4030007090	S.CER C1608 CH 1H 470J-T	B	36.5/44.2
C1283	4030006850	S.CER C1608 JB 1H 471K-T	B	69.7/51.1
C1284	4030006860	S.CER C1608 JB 1H 102K-T	B	66.4/44.1
C1285	4030006860	S.CER C1608 JB 1H 102K-T	B	72.0/45.9
C1286	4030009510	S.CER C1608 CH 1H 010B-T	T	38.3/48.8
C1287	4030007090	S.CER C1608 CH 1H 470J-T	B	52.7/48.7
C1288	4030006860	S.CER C1608 JB 1H 102K-T	B	35.9/72.5
C1289	4030006860	S.CER C1608 JB 1H 102K-T	B	24.2/73.8
C1290	4030006860	S.CER C1608 JB 1H 102K-T	B	28.0/65.6
C1291	4030006860	S.CER C1608 JB 1H 102K-T	B	31.5/65.6
C1292	4030007090	S.CER C1608 CH 1H 470J-T	B	21.6/72.3
C1293	4030007090	S.CER C1608 CH 1H 470J-T	B	35.9/70.8
C1294	4030007130	S.CER C1608 CH 1H 101J-T	T	27.2/70.2
C1295	4030009500	S.CER C1608 CH 1H 0R5B-T	T	25.2/68.3
C1296	4030007130	S.CER C1608 CH 1H 101J-T	T	27.2/66.5
C1297	4030009920	S.CER C1608 CH 1H 050B-T	T	32.0/68.4
C1298	4030009920	S.CER C1608 CH 1H 050B-T	T	29.7/62.2
C1299	4030006860	S.CER C1608 JB 1H 102K-T	B	29.8/46.0
C1300	4030006900	S.CER C1608 JB 1H 103K-T	B	29.8/47.2
C1301	4030017810	S.CER C1608 CH 1H 102J-T	T	61.6/20.9
C1303	4030017810	S.CER C1608 CH 1H 102J-T	B	64.5/12.2
C1304	4030009910	S.CER C1608 CH 1H 040B-T	T	67.5/22.9
C1305	4030006860	S.CER C1608 JB 1H 102K-T	B	64.1/29.7
C1307	4030006860	S.CER C1608 JB 1H 102K-T	B	70.6/17.9
C1309	4030009530	S.CER C1608 CH 1H 030B-T	T	69.4/19.8
C1310	4540000020	S.TRI TZY2Z060A001R00 (TZVY2Z060A110)	T	71.5/19.2
C1311	4030009570	S.CER C1608 CH 1H 0R3B-T	T	72.9/22.2
C1312	4030009510	S.CER C1608 CH 1H 010B-T	T	72.9/23.4
C1314	4030009530	S.CER C1608 CH 1H 030B-T	T	76.7/19.8
C1315	4540000020	S.TRI TZY2Z060A001R00 (TZVY2Z060A110)	T	78.8/19.2
C1316	4030009910	S.CER C1608 CH 1H 040B-T	T	77.9/22.8
C1317	4030009910	S.CER C1608 CH 1H 040B-T	T	82.6/22.8
C1319	4030009530	S.CER C1608 CH 1H 030B-T	T	84.6/19.6
C1320	4540000020	S.TRI TZY2Z060A001R00 (TZVY2Z060A110)	T	86.6/19.9
C1321	4030009570	S.CER C1608 CH 1H 0R3B-T	T	88.0/22.9
C1322	4030009510	S.CER C1608 CH 1H 010B-T	T	88.1/24.1
C1324	4030009530	S.CER C1608 CH 1H 030B-T	T	91.8/20.3
C1325	4540000020	S.TRI TZY2Z060A001R00 (TZVY2Z060A110)	T	93.9/19.7
C1326	4030009910	S.CER C1608 CH 1H 040B-T	T	92.4/22.8
C1327	4030007030	S.CER C1608 CH 1H 150J-T	T	91.0/25.3
C1328	4030007020	S.CER C1608 CH 1H 120J-T	T	93.4/26.3
C1329	4030007030	S.CER C1608 CH 1H 150J-T	T	96.5/24.9
C1330	4030006860	S.CER C1608 JB 1H 102K-T	B	99.3/18.1
C1331	4030006860	S.CER C1608 JB 1H 102K-T	B	101.8/20.9
C1332	4030006860	S.CER C1608 JB 1H 102K-T	T	101.8/19.9
C1334	4030017810	S.CER C1608 CH 1H 102J-T	T	100.5/9.9
C1335	4030011340	S.CER C1608 CH 1H 471J-T	T	104.7/19.7
C1341	4030006860	S.CER C1608 JB 1H 102K-T	T	101.8/13.6
C1343	4030007130	S.CER C1608 CH 1H 101J-T	B	70.6/19.4
C1346	4030007130	S.CER C1608 CH 1H 101J-T	T	101.8/21.2
C1347	4030006860	S.CER C1608 JB 1H 102K-T	B	96.4/12.7
C1348	4030017810	S.CER C1608 CH 1H 102J-T	T	106.3/12.3
C1349	4030007130	S.CER C1608 CH 1H 101J-T	B	84.0/29.8
C1350	4030006860	S.CER C1608 JB 1H 102K-T	B	86.3/29.8
C1351	4030006860	S.CER C1608 JB 1H 102K-T	B	98.5/27.9
C1601	4030006880	S.CER C1608 JB 1H 472K-T	T	153.8/42.7
C1603	4030006880	S.CER C1608 JB 1H 472K-T	T	149.5/47.1
C1605	4030006880	S.CER C1608 JB 1H 472K-T	B	152.2/51.1
C1606	4030011600	S.CER C1608 JB 1E 104K-T	B	157.1/45.3
C1607	4030018960	S.CER C3216 JB 1C 106MT-N	T	13.6/117.0
C1608	4030011600	S.CER C1608 JB 1E 104K-T	B	12.0/115.0
C1609	4030011600	S.CER C1608 JB 1E 104K-T	B	12.0/106.5
C1610	4510008540	S.ELE EEE1CA100SR	T	163.7/70.8
C1611	4550003120	S.TAN TEESVD2 1A 476M12R	T	12.7/111.5
C1612	4030011600	S.CER C1608 JB 1E 104K-T	B	156.9/64.5
C1613	4030011600	S.CER C1608 JB 1E 104K-T	B	156.9/61.7
C1614	4550003210	S.TAN TEESVD21D226M12R	T	162.7/65.6
C1615	4030011600	S.CER C1608 JB 1E 104K-T	B	137.5/48.8
C1616	4030011600	S.CER C1608 JB 1E 104K-T	B	133.6/48.8
C1617	4030011600	S.CER C1608 JB 1E 104K-T	B	6.4/86.1
C1618	4030011340	S.CER C1608 CH 1H 471J-T	B	152.2/49.4
C1619	4030011600	S.CER C1608 JB 1E 104K-T	T	98.3/48.2

[RF-B UNIT]

REF NO.	PARTS NO.	DESCRIPTION	M.	H/V LOCATION
C1620	4510008540	S.ELE EEE1CA100SR	T	162.6/35.4
C1621	4030011600	S.CER C1608 JB 1E 104K-T	B	157.2/33.2
C1622	4510008540	S.ELE EEE1CA100SR	T	162.6/42.6
C1623	4510008540	S.ELE EEE1CA100SR	T	150.7/26.8
C1624	4030011600	S.CER C1608 JB 1E 104K-T	B	145.4/27.2
C1625	4030011600	S.CER C1608 JB 1E 104K-T	B	145.4/31.6
C1626	4510008520	S.ELE EEE1CA470SP	T	130.4/28.0
C1701	4030006880	S.CER C1608 JB 1H 472K-T	T	83.2/52.9
C1702	4510008760	S.ELE EEE1HA47R5R	T	79.6/50.2
C1727	4030011600	S.CER C1608 JB 1E 104K-T	T	130.8/49.3
C1801	4030006860	S.CER C1608 JB 1H 102K-T	B	11.2/105.2
C1802	4030006860	S.CER C1608 JB 1H 102K-T	B	10.3/103.9
C1803	4030006860	S.CER C1608 JB 1H 102K-T	B	11.2/102.6
C1804	4030006860	S.CER C1608 JB 1H 102K-T	B	10.3/101.3
C1805	4030006860	S.CER C1608 JB 1H 102K-T	B	11.2/100.0
C1806	4030006860	S.CER C1608 JB 1H 102K-T	B	10.3/98.7
C1807	4030006860	S.CER C1608 JB 1H 102K-T	B	11.2/97.4
C1808	4030006860	S.CER C1608 JB 1H 102K-T	B	10.3/96.1
C1809	4030006860	S.CER C1608 JB 1H 102K-T	B	11.3/94.8
C1810	4030006860	S.CER C1608 JB 1H 102K-T	B	10.3/93.5
C1834	4030009920	S.CER C1608 CH 1H 050B-T	B	46.2/32.5
C1835	4030009920	S.CER C1608 CH 1H 050B-T	B	42.7/33.6
C1836	4030009920	S.CER C1608 CH 1H 050B-T	B	39.6/33.3
C1837	4030009920	S.CER C1608 CH 1H 050B-T	B	36.6/33.6
C1851	4030006860	S.CER C1608 JB 1H 102K-T	T	137.5/34.1
C1852	4030006860	S.CER C1608 JB 1H 102K-T	T	138.8/34.1
C1853	4030006860	S.CER C1608 JB 1H 102K-T	T	142.7/34.1
C1854	4030006860	S.CER C1608 JB 1H 102K-T	T	144.0/31.3
J801	6510023480	S.CON AYU1-1P-02676-120-TF	T	34.9/115.0
J1201	6510023480	S.CON AYU1-1P-02676-120-TF	T	29.5/112.5
J1202	6510023480	S.CON AYU1-1P-02676-120-TF	T	15.7/58.2
J1301	6510018450	CON TMP-S01X-B1	T	
J1305	6510018450	CON TMP-S01X-B1	T	
J1601	6510019981	S.CON 52808-1671(1690)	T	157.2/52.7
J1801	6510019981	S.CON 52808-1671(1690)	T	6.1/99.1
J1831	6510019971	S.CON 52808-1071	T	44.6/29.2
J1851	6510019971	S.CON 52808-1071	T	141.2/26.7
EP1301	6910012350	S.BEA MMZ1608Y 102BT	B	68.2/18.6
EP1302	6910012350	S.BEA MMZ1608Y 102BT	T	101.0/23.2
EP1303	6910012350	S.BEA MMZ1608Y 102BT	B	66.1/30.4
EP1304	6910012350	S.BEA MMZ1608Y 102BT	B	102.6/27.2
EP1601	6910014730	S.BEA MPZ2012S331A-T	T	152.9/45.1
EP1602	6910015970	S.BEA MMZ1608B 301CT-AS	T	152.0/47.8
EP1603	6910014730	S.BEA MPZ2012S331A-T	T	152.0/50.7
EP1701	6910015970	S.BEA MMZ1608B 301CT-AS	T	130.8/46.5
EP1801	6910015970	S.BEA MMZ1608B 301CT-AS	T	11.2/105.3
EP1802	6910015970	S.BEA MMZ1608B 301CT-AS	T	11.2/104.0
EP1803	6910015970	S.BEA MMZ1608B 301CT-AS	T	11.2/102.7
EP1804	6910014730	S.BEA MPZ2012S331A-T	T	11.0/101.2
EP1805	6910015970	S.BEA MMZ1608B 301CT-AS	T	11.2/99.6
EP1806	6910015970	S.BEA MMZ1608B 301CT-AS	T	11.2/98.3
EP1807	6910015970	S.BEA MMZ1608B 301CT-AS	T	11.2/97.0
EP1808	6910015970	S.BEA MMZ1608B 301CT-AS	T	11.2/95.7
EP1809	6910015970	S.BEA MMZ1608B 301CT-AS	T	11.2/94.4
EP1810	6910015970	S.BEA MMZ1608B 301CT-AS	T	11.2/93.2
EP1811	6910015970	S.BEA MMZ1608B 301CT-AS	T	15.0/105.5
EP1812	6910015970	S.BEA MMZ1608B 301CT-AS	T	15.0/104.2
EP1813	6910015970	S.BEA MMZ1608B 301CT-AS	T	15.0/102.9
EP1814	6910014730	S.BEA MPZ2012S331A-T	T	15.4/101.3
EP1815	6910015970	S.BEA MMZ1608B 301CT-AS	T	15.0/99.7
EP1816	6910015970	S.BEA MMZ1608B 301CT-AS	T	15.0/98.4
EP1817	6910015970	S.BEA MMZ1608B 301CT-AS	T	15.0/97.1
EP1818	6910015970	S.BEA MMZ1608B 301CT-AS	T	15.0/95.8
EP1819	6910015970	S.BEA MMZ1608B 301CT-AS	T	15.0/94.5
EP1820	6910015970	S.BEA MMZ1608B 301CT-AS	T	15.1/93.3
EP1831	6910015970	S.BEA MMZ1608B 301CT-AS	T	51.7/36.1
EP1832	6910015970	S.BEA MMZ1608B 301CT-AS	T	49.4/36.1
EP1833	6910015970	S.BEA MMZ1608B 301CT-AS	T	47.3/36.1
EP1834	6910015970	S.BEA MMZ1608B 301CT-AS	T	45.2/36.1
EP1835	6910015970	S.BEA MMZ1608B 301CT-AS	T	43.0/36.1
EP1836	6910015970	S.BEA MMZ1608B 301CT-AS	T	41.4/36.1
EP1837	6910015970	S.BEA MMZ		

[PLL UNIT]

REF NO.	PARTS NO.	DESCRIPTION	M.	H/V LOCATION
IC100	1130011530	S.IC CD74HC4094M96	T	43.0/27.3
IC101	1130009691	S.IC TC74HCT7007AF(F)	B	73.8/9.8
IC200	1160000132	S.IC TD62783AFG(OSEL)	B	28.9/26.1
IC204	1160000132	S.IC TD62783AFG(OSEL)	B	13.9/26.1
IC300	1130011530	S.IC CD74HC4094M96	T	29.0/24.2
IC301	1130011530	S.IC CD74HC4094M96	T	14.0/24.2
IC302	1130011530	S.IC CD74HC4094M96	B	135.9/9.7
IC350	1130012000	S.IC M62352AGP C60Q	T	111.3/23.0
IC400	1180001252	S.IC TA7808F(TE16L1NQ)	B	44.8/8.5
IC401	1180001072	S.IC TA7805F(TE16L1NQ)	B	84.9/6.8
IC500	1130006441	S.IC TC7S08F(TE85RF)	T	66.0/36.5
IC700	1130003831	S.IC TC7S04F(TE85RF)	T	102.1/50.1
IC750	1130003831	S.IC TC7S04F(TE85RF)	T	76.1/46.8
IC751	1130006441	S.IC TC7S08F(TE85RF)	T	77.4/54.8
IC752	1140007881	S.IC TC190G08EFG0046JDZ/SC1246A	T	87.7/47.2
IC830	1110002700	S.IC NJM2904M-TE1-#FMZB	B	96.1/84.7
IC1000	1130013500	S.IC ADF4111BRUZ <FE>	T	66.4/69.0
IC1001	1110001901	S.IC UPC4570G2-E1-A	T	74.6/69.6
IC1300	1110006870	S.IC UPC2709TB-E3	B	65.1/111.2
IC1351	1110006870	S.IC UPC2709TB-E3	B	70.2/100.6
IC2100	1110004460	S.IC UPB1509GV-E1	T	46.1/56.9
IC2300	1130013450	S.IC SN74AUC1G04DCKR	T	41.9/44.6
IC2301	1180003030	S.REG S-812C25AUA-C2FT2G	T	49.3/46.7
IC2302	1130013310	S.IC SN74AUC74RGYR	T	35.8/45.2
IC2303	1130011930	S.IC SN74LVC1G04DCKR	T	29.4/45.1
IC2553	1110006870	S.IC UPC2709TB-E3	B	35.3/87.6
IC4000	1130013300	S.IC LMX2346TM/NOPB	T	151.5/61.6
IC4501	1110006870	S.IC UPC2709TB-E3	B	163.9/95.0
IC5000	1130013270	S.IC ADF4111BRUZ-REEL7 <FE>	T	123.4/74.8
IC5001	1110002700	S.IC NJM2904M-TE1-#FMZB	B	144.7/81.8
IC5300	1130003831	S.IC TC7S04F(TE85RF)	B	159.5/37.2
IC5301	1140007881	S.IC TC190G08EFG0046JDZ/SC1246A	T	156.0/36.1
IC5601	1130003831	S.IC TC7S04F(TE85RF)	B	154.1/32.5
Q101	1590001870	S.TRA DTA114EE TL	T	36.8/21.9
Q102	1590003940	S.TRA RN1105(TE85LF)	B	28.4/13.1
Q450	1530002060	S.TRA 2SC4081 T106 R	T	127.4/61.0
Q550	1530002601	S.TRA 2SC4215-O(TE85RF)	T	122.1/44.1
Q601	1590003930	S.TRA UMD22N TR	B	82.1/114.1
Q602	1590003930	S.TRA UMD22N TR	B	82.1/117.7
Q603	1590003930	S.TRA UMD22N TR	B	82.1/121.3
Q800	1530002060	S.TRA 2SC4081 T106 R	B	99.6/60.3
Q860	1530002060	S.TRA 2SC4081 T106 R	B	89.2/69.9
Q900	1560000341	S.FET 2SK210-Y(TE85RF)	T	92.0/70.2
Q1000	1590001870	S.TRA DTA114EE TL	T	70.6/67.4
Q1001	1530002060	S.TRA 2SC4081 T106 R	T	60.8/60.6
Q2101	1590003930	S.TRA UMD22N TR	T	51.1/58.4
Q2301	1590003930	S.TRA UMD22N TR	T	51.2/50.6
Q2551	1590003930	S.TRA UMD22N TR	T	51.7/72.2
Q3001	1530003781	S.TRA 2SC5624VH-TL-E	T	48.0/124.0
Q3002	1530003781	S.TRA 2SC5624VH-TL-E	T	50.5/124.0
Q4000	1590001870	S.TRA DTA114EE TL	B	153.3/57.9
Q4450	1590003940	S.TRA RN1105(TE85LF)	B	163.4/80.7
Q4451	1590003940	S.TRA RN1105(TE85LF)	B	160.2/80.7
Q4452	1590001870	S.TRA DTA114EE TL	B	163.6/83.7
Q4453	1590001870	S.TRA DTA114EE TL	B	161.0/83.7
Q5000	1590001870	S.TRA DTA114EE TL	B	127.0/70.3
Q5018	1530002060	S.TRA 2SC4081 T106 R	B	114.3/67.1
Q5100	1560000341	S.FET 2SK210-Y(TE85RF)	T	124.4/102.6
Q5101	1530002561	S.TRA 2SC4403-3-TL-E	T	119.0/99.9
Q5150	1530002561	S.TRA 2SC4403-3-TL-E	T	119.8/109.9
Q5200	1530002561	S.TRA 2SC4403-3-TL-E	T	127.2/109.3
Q5400	1530002060	S.TRA 2SC4081 T106 R	B	169.9/32.5
Q5500	1530002601	S.TRA 2SC4215-O(TE85RF)	T	133.4/46.9
Q5601	1560000341	S.FET 2SK210-Y(TE85RF)	T	159.0/13.0
Q5602	1530002060	S.TRA 2SC4081 T106 R	B	158.5/16.5
Q5603	1530002060	S.TRA 2SC4081 T106 R	T	149.4/26.3
Q5604	1590003930	S.TRA UMD22N TR	T	172.5/28.4
D750	1750000520	S.DIO DAN222TL	B	90.7/57.0
D900	1790000491	S.DIO HSM88ASTR-E	T	98.2/72.2
D901	1790000491	S.DIO HSM88ASTR-E	T	94.7/72.2
D930	1720000590	S.VAR MA357(TX)	T	100.3/68.2
D931	1720000590	S.VAR MA357(TX)	T	104.5/72.1
D1000	1750000520	S.DIO DAN222TL	B	81.9/64.9
D1451	1750000581	S.DIO 1SV307(TPH3F)	B	154.2/96.9
D1452	1750000581	S.DIO 1SV307(TPH3F)	B	148.1/99.6
D1453	1750000581	S.DIO 1SV307(TPH3F)	B	157.4/97.6
D1454	1750000581	S.DIO 1SV307(TPH3F)	B	155.5/100.7
D2000	1750000581	S.DIO 1SV307(TPH3F)	B	57.2/106.1
D2001	1750000581	S.DIO 1SV307(TPH3F)	B	56.1/109.2
D2050	1750000581	S.DIO 1SV307(TPH3F)	T	37.3/60.0
D2051	1750000581	S.DIO 1SV307(TPH3F)	T	38.9/61.8
D2052	1750000581	S.DIO 1SV307(TPH3F)	T	41.2/58.8
D2053	1750000581	S.DIO 1SV307(TPH3F)	T	42.2/56.0
D2200	1750000581	S.DIO 1SV307(TPH3F)	B	21.8/112.7
D2652	1750000581	S.DIO 1SV307(TPH3F)	B	7.2/83.2
D2855	1750000581	S.DIO 1SV307(TPH3F)	B	18.7/111.7
D2856	1750000581	S.DIO 1SV307(TPH3F)	B	4.3/84.3
D3101	1750000581	S.DIO 1SV307(TPH3F)	B	31.3/123.6
D3102	1750000581	S.DIO 1SV307(TPH3F)	B	19.0/123.2
D3404	1750000581	S.DIO 1SV307(TPH3F)	B	13.0/83.2
D4000	1750000520	S.DIO DAN222TL	B	150.0/51.8
D5000	1750000520	S.DIO DAN222TL	B	129.5/68.5
D5100	1720000261	S.VAR 1SV214(TPH2F)	T	132.7/95.7
D5101	1720000261	S.VAR 1SV214(TPH2F)	B	130.7/95.8
D5102	1720000261	S.VAR 1SV214(TPH2F)	T	132.7/94.0
D5103	1720000261	S.VAR 1SV214(TPH2F)	B	133.3/95.8
D5601	1720000590	S.VAR MA357(TX)	T	146.5/10.9
D5602	1720000590	S.VAR MA357(TX)	T	150.7/14.8
D5603	1790000491	S.DIO HSM88ASTR-E	T	152.8/10.8
D5604	1790000491	S.DIO HSM88ASTR-E	T	156.3/10.8

[PLL UNIT]

REF NO.	PARTS NO.	DESCRIPTION	M.	H/V LOCATION
F1700	2020001820	S.CER SFECV10M5FA00-R0 (SFECV10.5MA5S)	T	101.9/41.7
F15400	2020001810	S.CER SFECV10M7FA00-R0 (SFECV10.7MA5S)	T	148.4/48.8
L100	6200003261	S.COI NLV32T-101J	B	51.7/20.85
L106	6200003261	S.COI NLV32T-101J	T	36.5/32.5
L200	6200003261	S.COI NLV32T-101J	B	17.0/8.1
L300	6200003261	S.COI NLV32T-101J	T	36.4/18.9
L301	6200003261	S.COI NLV32T-101J	B	127.9/8.3
L350	6200003261	S.COI NLV32T-101J	B	106.5/17.3
L450	6200005491	S.COI NLV32T-331J	B	119.9/61.9
L550	6150004971	S.COI LS-522-LF	T	123.3/38.7
L551	6150004971	S.COI LS-522-LF	T	120.3/48.9
L552	6200003261	S.COI NLV32T-101J	B	118.2/58.6
L601	6200003261	S.COI NLV32T-101J	B	102.0/94.9
L602	6200003261	S.COI NLV32T-101J	B	102.0/97.9
L603	6200003261	S.COI NLV32T-101J	B	102.0/100.9
L604	6200003261	S.COI NLV32T-101J	B	78.2/114.1
L605	6200003261	S.COI NLV32T-101J	B	78.2/117.7
L606	6200003261	S.COI NLV32T-101J	B	78.2/121.3
L750	6200001831	S.COI NLV32T-100J	B	74.6/50.5
L900	6200001831	S.COI NLV32T-100J	T	91.3/65.6
L930	6130002970	COI LB-343		
L1000	6200001831	S.COI NLV32T-100J	B	64.9/70.2
L1001	6200003261	S.COI NLV32T-101J	T	61.3/55.3
L1300	6200003300	S.COI ELJNC R22K-F	B	76.6/108.8
L1302	6200001920	S.COI ELJNC R15K-F	B	62.1/108.8
L1351	6200001920	S.COI ELJNC R15K-F	B	71.5/97.3
L2051	6200005701	S.COI ELJRE 22NGFA	T	42.8/60.8
L2052	6200005661	S.COI ELJRE 10NGFA	T	49.1/62.3
L2053	6200005691	S.COI ELJRE 18NGFA	T	44.7/51.9
L2101	6200005741	S.COI ELJRE 47NGFA	T	38.9/50.4
L2201	6200005011	S.COI NLV25T-100J	B	55.7/71.6
L2202	6200005731	S.COI ELJRE 39NGFA	B	55.7/65.0
L2203	6200005661	S.COI ELJRE 10NGFA	T	44.2/66.1
L2400	6200007001	S.COI ELJRE 82NGFA	T	25.0/43.1
L2401	6200006671	S.COI ELJRE 68NGFA	T	23.0/42.5
L2402	6200009531	S.COI ELJRE R15GFA	T	18.8/45.4
L2403	6200009101	S.COI ELJRE R18GFA	T	16.9/45.8
L2510	6200003261	S.COI NLV32T-101J	B	6.0/116.4
L2511	6200003261	S.COI NLV32T-101J	T	6.3/118.8
L2512	6200003261	S.COI NLV32T-101J	T	6.4/115.8
L2513	6200003261	S.COI NLV32T-101J	B	19.8/96.7
L2514	6200003261	S.COI NLV32T-101J	B	19.8/93.2
L2515	6200003261	S.COI NLV32T-101J	B	19.8/89.7
L2516	6200003261	S.COI NLV32T-101J	B	19.8/86.2
L2553	6200005681	S.COI ELJRE 15NGFA	B	38.0/87.6
L3002	6200003661	S.COI NLV25T-R68J	B	52.4/123.0
L3003	6140002551	S.COI #617DB-1919-P3	T	49.1/119.0
L3010	6200009181	S.COI ELJRE R10JFA	B	50.0/114.0
L3011	6200009181	S.COI ELJRE R10JFA	B	45.2/116.4
L3101	6200005631	S.COI ELJRE 5N6ZFA	B	31.7/121.6
L3102	6200005651	S.COI ELJRE 8N2ZFA	B	29.1/120.6
L3103	6200005691	S.COI ELJRE 18NGFA	B	23.9/115.8
L3104	6200005671	S.COI ELJRE 12NGFA	B	22.7/118.1
L3105	6200006981	S.COI ELJRE R10GFA	B	25.2/126.5
L3106	6200003261	S.COI NLV32T-101J	B	18.6/126.1
L4000	6200001831	S.COI NLV32T-100J	B	150.3/65.2
L4001	6200003261	S.COI NLV32T-101J	B	170.6/81.1
L4002	6200003261	S.COI NLV32T-101J	B	170.6/84.6
L4003	6200003261	S.COI NLV32T-101J	B	170.6/88.1
L4400	6200003331	S.COI NLV32T-1R0J	B	138.5/103.7
L4450	6200005701	S.COI ELJRE 22NGFA	B	157.3/95.0
L4451	6200005651	S.COI ELJRE 8N2ZFA	B	150.5/100.7
L4452	6200003261	S.COI NLV32T-101J	B	149.6/93.1
L4453	6200003261	S.COI NLV32T-101J	B	149.6/89.6
L4454	6200003261	S.COI NLV32T-101J	B	149.6/86.1
L4501	6200003261	S.COI NLV32T-101J	B	160.7/119.0
L4502	6200003261	S.COI NLV32T-101J	B	160.7/122.0
L4503	6200001920	S.COI ELJNC R15K-F	B	166.2/91.7
L5000	6200005491	S.COI NLV32T-331J	B	120.9/72.6
L5002	6200010800	S.COI C2520C-4R7G-A	T	133.5/102.0
L5003	6200010800	S.COI C2520C-4R7G-A	T	135.1/87.8
L5100	6190001281	COI #E544GN-110248		
L5101	6200003261	S.COI NLV32T-101J	B	122.1/97.0
L5102	6200002631	S.COI NLV25T-R10J	T	119.0/95.7
L5103	6200003331	S.COI NLV32T-1R0J	B	116.5/91.5
L5150	6200001831	S.COI NLV32T-100J	T	116.1/108.8
L5151	6200010660	S.COI C2520C-R15G-A (0.15U)	T	122.6/113.8
L5152	6200010670	S.COI C2520C-R18G-A (0.18U)	T	118.6/118.5
L5200	6200001831	S.COI NLV32T-100J	T	123.5/108.8
L5201	6200010630	S.COI C2520C-R15G-A (0.15U)	T	128.0/114.8
L5202	6200010670	S.COI C2520C-R18G-A (0.18U)	T	131.2/118.1
L5300	6200001831	S.COI NLV32T-100J	B	145.5/34.9
L5500	6200001831	S.COI NLV32T-100J	T	131.4/51.0
L5501	6200002641	S.COI NLV25T-R15J	T	131.2/41.7
L5502	6200002841	S.COI NLV25T-R22J	T	

[PLL UNIT]

REF NO.	PARTS NO.	DESCRIPTION	M.	H/V LOCATION
R119	7030003360	S.RES ERJ3GEYJ 221 V (220)	T	29.5/16.9
R120	7030003360	S.RES ERJ3GEYJ 221 V (220)	T	24.7/16.9
R121	7030003360	S.RES ERJ3GEYJ 221 V (220)	T	24.3/7.9
R122	7030003350	S.RES ERJ3GEYJ 822 V (8.2K)	T	45.0/33.7
R124	7030003350	S.RES ERJ3GEYJ 822 V (8.2K)	T	41.6/32.5
R125	7030003350	S.RES ERJ3GEYJ 822 V (8.2K)	T	42.9/32.5
R205	7030003640	S.RES ERJ3GEYJ 473 V (47K)	T	33.7/30.6
R206	7030003640	S.RES ERJ3GEYJ 473 V (47K)	T	19.1/30.6
R207	7030003640	S.RES ERJ3GEYJ 473 V (47K)	T	32.4/30.5
R208	7030003640	S.RES ERJ3GEYJ 473 V (47K)	T	17.8/30.6
R209	7030003640	S.RES ERJ3GEYJ 473 V (47K)	T	31.1/30.5
R210	7030003640	S.RES ERJ3GEYJ 473 V (47K)	T	16.5/30.6
R211	7030003640	S.RES ERJ3GEYJ 473 V (47K)	T	29.8/30.5
R212	7030003640	S.RES ERJ3GEYJ 473 V (47K)	T	15.2/30.6
R213	7030003640	S.RES ERJ3GEYJ 473 V (47K)	T	28.5/30.5
R214	7030003640	S.RES ERJ3GEYJ 473 V (47K)	T	13.9/30.6
R215	7030003640	S.RES ERJ3GEYJ 473 V (47K)	T	27.2/30.5
R216	7030003640	S.RES ERJ3GEYJ 473 V (47K)	T	12.6/30.6
R217	7030003640	S.RES ERJ3GEYJ 473 V (47K)	T	25.9/30.5
R218	7030003640	S.RES ERJ3GEYJ 473 V (47K)	T	11.3/30.6
R219	7030003640	S.RES ERJ3GEYJ 473 V (47K)	T	24.6/30.5
R220	7030003640	S.RES ERJ3GEYJ 473 V (47K)	T	10.0/30.6
R221	7030003200	S.RES ERJ3GEYJ 100 V (10)	B	34.0/34.7
R222	7030003200	S.RES ERJ3GEYJ 100 V (10)	B	32.7/34.0
R223	7030003200	S.RES ERJ3GEYJ 100 V (10)	B	31.4/34.7
R224	7030003200	S.RES ERJ3GEYJ 100 V (10)	B	30.1/34.0
R225	7030003200	S.RES ERJ3GEYJ 100 V (10)	B	28.8/34.7
R226	7030003200	S.RES ERJ3GEYJ 100 V (10)	B	27.5/34.0
R227	7030003200	S.RES ERJ3GEYJ 100 V (10)	B	26.2/34.7
R228	7030003200	S.RES ERJ3GEYJ 100 V (10)	B	24.9/34.0
R229	7030003200	S.RES ERJ3GEYJ 100 V (10)	B	19.1/34.0
R230	7030003200	S.RES ERJ3GEYJ 100 V (10)	B	17.8/34.0
R232	7030003200	S.RES ERJ3GEYJ 100 V (10)	B	15.2/34.0
R233	7030003200	S.RES ERJ3GEYJ 100 V (10)	B	13.9/34.0
R234	7030003200	S.RES ERJ3GEYJ 100 V (10)	B	12.6/34.0
R235	7030003200	S.RES ERJ3GEYJ 100 V (10)	B	11.3/34.0
R236	7030003200	S.RES ERJ3GEYJ 100 V (10)	B	10.0/34.0
R350	7030003360	S.RES ERJ3GEYJ 221 V (220)	T	112.9/17.6
R351	7030003360	S.RES ERJ3GEYJ 221 V (220)	T	111.6/17.6
R352	7030003360	S.RES ERJ3GEYJ 221 V (220)	T	110.3/17.6
R401	7030010260	S.RES ERJ1TYJ 3R3 U	T	45.9/14.0
R402	7030011220	S.RES ERJ1TY 180U (18)	B	78.8/20.3
R403	7030011220	S.RES ERJ1TY 180U (18)	B	78.8/16.6
R450	7030003340	S.RES ERJ3GEYJ 151 V (150)	T	127.4/56.7
R451	7030003240	S.RES ERJ3GEYJ 220 V (22)	T	124.7/61.0
R452	7030003640	S.RES ERJ3GEYJ 473 V (47K)	T	127.4/59.1
R453	7030003360	S.RES ERJ3GEYJ 221 V (220)	T	127.6/62.9
R454	7030003320	S.RES ERJ3GEYJ 101 V (100)	T	132.8/64.1
R455	7030003860	S.RES ERJ3GE JPW V	T	132.8/62.9
R500	7030003440	S.RES ERJ3GEYJ 102 V (1K)	T	66.0/39.8
R501	7030003320	S.RES ERJ3GEYJ 101 V (100)	T	69.6/36.1
R502	7030003480	S.RES ERJ3GEYJ 222 V (2.2K)	T	65.9/33.6
R550	7030003400	S.RES ERJ3GEYJ 471 V (470)	T	125.0/45.5
R551	7030003600	S.RES ERJ3GEYJ 223 V (22K)	T	119.9/43.0
R552	7030003560	S.RES ERJ3GEYJ 103 V (10K)	T	126.2/43.5
R553	7030003260	S.RES ERJ3GEYJ 330 V (33)	B	118.5/47.9
R605	7030003860	S.RES ERJ3GE JPW V	B	130.5/43.0
R606	7030003410	S.RES ERJ3GEYJ 561 V (560)	T	118.4/39.1
R607	7030007860	S.RES ERJ3GEYJ 8R2V (8.2)	T	119.6/36.5
R608	7030003410	S.RES ERJ3GEYJ 561 V (560)	T	117.2/36.5
R650	7030007220	S.RES ERA3YED 202V (2K)	T	78.5/33.1
R651	7030007220	S.RES ERA3YED 202V (2K)	T	79.3/35.0
R652	7030007230	S.RES ERA3YED 102V (1K)	T	80.7/32.8
R653	7030007220	S.RES ERA3YED 202V (2K)	T	80.7/35.4
R654	7030007230	S.RES ERA3YED 102V (1K)	T	82.0/32.8
R655	7030007220	S.RES ERA3YED 202V (2K)	T	82.0/35.4
R656	7030007230	S.RES ERA3YED 102V (1K)	T	83.3/32.8
R657	7030007220	S.RES ERA3YED 202V (2K)	T	83.3/35.4
R658	7030007230	S.RES ERA3YED 102V (1K)	T	84.6/32.8
R659	7030007220	S.RES ERA3YED 202V (2K)	T	84.6/35.4
R660	7030007230	S.RES ERA3YED 102V (1K)	T	85.9/32.8
R661	7030007220	S.RES ERA3YED 202V (2K)	T	85.9/35.4
R662	7030007230	S.RES ERA3YED 102V (1K)	T	87.2/32.8
R663	7030007220	S.RES ERA3YED 202V (2K)	T	87.2/35.4
R664	7030007210	S.RES ERA3YEB 102V (1K)	T	88.5/32.8
R665	7030007200	S.RES ERA3YEB 202V (2K)	T	88.5/35.4
R666	7030007210	S.RES ERA3YEB 102V (1K)	T	90.5/32.7
R667	7030007200	S.RES ERA3YEB 202V (2K)	T	90.1/35.6
R668	7030007210	S.RES ERA3YEB 102V (1K)	T	92.5/32.5
R669	7030007200	S.RES ERA3YEB 202V (2K)	T	92.6/35.6
R670	7030007210	S.RES ERA3YEB 102V (1K)	T	93.8/32.5
R671	7030007200	S.RES ERA3YEB 202V (2K)	T	95.2/35.6
R672	7030007210	S.RES ERA3YEB 102V (1K)	T	95.6/32.5
R673	7030007200	S.RES ERA3YEB 202V (2K)	T	98.6/34.1
R700	7030003440	S.RES ERJ3GEYJ 102 V (1K)	B	96.9/44.3
R701	7030003800	S.RES ERJ3GEYJ 105 V (1M)	T	102.2/52.5
R702	7030003200	S.RES ERJ3GEYJ 100 V (10)	T	99.6/48.4
R703	7030003860	S.RES ERJ3GE JPW V	T	103.9/47.0
R704	7030003400	S.RES ERJ3GEYJ 471 V (470)	T	101.7/32.7
R705	7030003860	S.RES ERJ3GE JPW V	T	100.8/35.7
R706	7030003860	S.RES ERJ3GE JPW V	T	102.9/32.7
R750	7030003360	S.RES ERJ3GEYJ 221 V (220)	T	76.5/44.4
R751	7030003440	S.RES ERJ3GEYJ 102 V (1K)	T	76.5/43.2
R752	7030003800	S.RES ERJ3GEYJ 105 V (1M)	T	75.3/51.2
R753	7030003440	S.RES ERJ3GEYJ 102 V (1K)	T	76.5/41.7
R754	7030003440	S.RES ERJ3GEYJ 102 V (1K)	T	76.5/40.4
R755	7030003440	S.RES ERJ3GEYJ 102 V (1K)	T	77.8/58.4
R756	7030003860	S.RES ERJ3GE JPW V	T	76.5/51.2
R757	7030003320	S.RES ERJ3GEYJ 101 V (100)	T	77.7/51.2
R758	7030003440	S.RES ERJ3GEYJ 102 V (1K)	B	95.3/57.0
R760	7030003320	S.RES ERJ3GEYJ 101 V (100)	B	77.6/44.5
R800	7030003860	S.RES ERJ3GE JPW V	B	95.8/63.5
R802	7030003240	S.RES ERJ3GEYJ 220 V (22)	B	106.4/59.8
R803	7030003640	S.RES ERJ3GEYJ 473 V (47K)	B	101.6/59.8
R804	7030003360	S.RES ERJ3GEYJ 221 V (220)	B	103.2/59.8

[PLL UNIT]

REF NO.	PARTS NO.	DESCRIPTION	M.	H/V LOCATION
R830	7030003500	S.RES ERJ3GEYJ 332 V (3.3K)	B	102.7/83.9
R831	7030003470	S.RES ERJ3GEYJ 182 V (1.8K)	B	101.1/85.9
R832	7030003470	S.RES ERJ3GEYJ 182 V (1.8K)	B	97.1/88.2
R834	7030003500	S.RES ERJ3GEYJ 332 V (3.3K)	B	99.5/89.0
R835	7030003320	S.RES ERJ3GEYJ 101 V (100)	B	91.4/87.4
R836	7030003840	S.RES ERJ3GEYJ 225 V (2.2M)	B	96.0/60.7
R837	7030005321	S.RES ERA3YED 103V (10K)	T	94.0/57.7
R838	7030010600	S.RES ERA3YHD 150V (15)	T	96.0/59.4
R839	7030009661	S.RES ERA3YED 121V (120)	T	91.2/57.2
R860	7030003860	S.RES ERJ3GE JPW V	B	90.6/65.8
R861	7030003400	S.RES ERJ3GEYJ 471 V (470)	B	92.7/63.5
R862	7030003860	S.RES ERJ3GE JPW V	B	93.0/66.9
R863	7030003320	S.RES ERJ3GEYJ 101 V (100)	B	92.6/73.7
R864	7030003360	S.RES ERJ3GEYJ 221 V (220)	B	92.3/72.1
R865	7030003640	S.RES ERJ3GEYJ 473 V (47K)	B	91.4/69.8
R900	7030003320	S.RES ERJ3GEYJ 101 V (100)	B	86.7/77.0
R901	7030003350	S.RES ERJ3GEYJ 181 V (180)	T	89.7/73.5
R902	7030003340	S.RES ERJ3GEYJ 151 V (150)	T	88.4/65.6
R903	7030003680	S.RES ERJ3GEYJ 104 V (100K)	T	91.0/73.6
R904	7030003680	S.RES ERJ3GEYJ 104 V (100K)	T	88.7/70.4
R930	7030003560	S.RES ERJ3GEYJ 103 V (10K)	T	101.0/65.8
R931	7030003560	S.RES ERJ3GEYJ 103 V (10K)	T	103.0/68.6
R932	7030003440	S.RES ERJ3GEYJ 102 V (1K)	B	105.0/66.8
R1000	7030003490	S.RES ERJ3GEYJ 272 V (2.7K)	T	69.4/73.6
R1001	7030003320	S.RES ERJ3GEYJ 101 V (100)	B	70.7/67.2
R1002	7030003360	S.RES ERJ3GEYJ 221 V (220)	B	63.5/58.6
R1003	7030003360	S.RES ERJ3GEYJ 221 V (220)	B	65.3/58.6
R1004	7030003360	S.RES ERJ3GEYJ 221 V (220)	B	67.1/58.6
R1005	7030003440	S.RES ERJ3GEYJ 102 V (1K)	T	70.7/65.8
R1006	7030003520	S.RES ERJ3GEYJ 472 V (4.7K)	T	60.6/58.7
R1007	7030009961	S.RES ERA3YED 221V (22K)	B	68.5/71.5
R1009	7030007230	S.RES ERA3YED 102V (1K)	B	70.2/69.6
R1010	7030007230	S.RES ERA3YED 102V (1K)	B	73.9/69.1
R1011	7030003860	S.RES ERJ3GE JPW V	B	79.9/83.0
R1014	7030003860	S.RES ERJ3GE JPW V	B	74.7/66.4
R1016	7030003860	S.RES ERJ3GE JPW V	B	70.6/60.4
R1303	7030003220	S.RES ERJ3GEYJ 150 V (15)	B	71.1/111.9
R1304	7030003270	S.RES ERJ3GEYJ 390 V (39)	B	69.3/108.7
R1305	7030003260	S.RES ERJ3GEYJ 330 V (33)	B	68.6/105.2
R1306	7030003250	S.RES ERJ3GEYJ 270 V (27)	B	68.6/106.5
R1307	7030003200	S.RES ERJ3GEYJ 100 V (10)	B	82.3/108.5
R1308	7030003200	S.RES ERJ3GEYJ 100 V (10)	B	62.4/105.4
R1309	7030003370	S.RES ERJ3GEYJ 271 V (270)	B	62.1/113.7
R1310	7030003230	S.RES ERJ3GEYJ 180 V (18)	B	59.8/112.8
R1311	7030003370	S.RES ERJ3GEYJ 271 V (270)	B	59.0/115.1
R1351	7030003270	S.RES ERJ3GEYJ 390 V (39)	B	70.9/108.7
R1352	7030003260	S.RES ERJ3GEYJ 330 V (33)	B	73.1/107.9
R1353	7030003250	S.RES ERJ3GEYJ 270 V (27)	B	70.9/106.0
R1354	7030003200	S.RES ERJ3GEYJ 100 V (10)	B	71.8/94.9
R1355	7030003370	S.RES ERJ3GEYJ 271 V (270)	B	65.7/98.7
R1356	7030003230	S.RES ERJ3GEYJ 180 V (18)	B	63.3/97.9
R1357	7030003370	S.RES ERJ3GEYJ 271 V (270)	B	61.0/98.7
R2050	7030003260	S.RES ERJ3GEYJ 330 V (33)	T	39.7/63.4
R2051	7030003260	S.RES ERJ3GEYJ 330 V (33)	T	41.2/65.8
R2052	7030003250	S.RES ERJ3GEYJ 270 V (27)	T	39.7/64.6
R2054	7030003440	S.RES ERJ3GEYJ 102 V (1K)	B	44.4/60.9
R2055	7030003300	S.RES ERJ3GEYJ 471 V (470)	T	39.6/59.3
R2056	7030003440	S.RES ERJ3GEYJ 102 V (1K)	T	37.7/56.0
R2057	7030003440	S.RES ERJ3GEYJ 102 V (1K)	B	44.4/54.9
R2102	7030003200	S.RES ERJ3GEYJ 100 V (10)	T	49.9/55.9
R2103	7030003400	S.RES ERJ3GEYJ 471 V (470)	T	48.4/53.2
R2104	7030003210	S.RES ERJ3GEYJ 120 V (12)	T	46.6/52.4
R2105	7030003400	S.RES ERJ3GEYJ 471 V (470)	T	48.4/51.7
R2107	7030003860	S.RES ERJ3GE JPW V	T	39.8/55.3
R2200	7030003440	S.RES ERJ3GEYJ 102 V (1K)	B	59.2/107.1
R2300	7030003560	S.RES ERJ3GEYJ 103 V (10K)	T	41.7/46.5
R2301	7030003200	S.RES ERJ3GEYJ 100 V (10)	T	43.9/43.0
R2302	7030003860	S.RES ERJ3GE JPW V	T	39.9/45.7
R2304	7030003310	S.RES ERJ3GEYJ 820 V (82)	T	26.2/43.4
R2306	7030003320	S.RES ERJ3GEYJ 101 V (100)	T	26.1/46.0
R2307	7030003200	S.RES ERJ3GEYJ 100 V (10)	T	37.0/42.3
R2308	7030003440	S.RES ERJ3GEYJ 102 V (1K)	T	31.6/43.6
R2309	7030003560	S.RES ERJ3GEYJ 103 V (10K)	T	29.5/47.0
R2310	7030003200	S.RES ERJ3GEYJ 100 V (10)	T	27.4/43.0
R2500	7030003350	S.RES ERJ3GEYJ 181 V (180)	T	5.6/84.5</

[PLL UNIT]

REF NO.	PARTS NO.	DESCRIPTION	M.	H/V LOCATION
R4005	7030003360	S.RES ERJ3GEYJ 221 V (220)	B	148.5/62.5
R4006	7030003440	S.RES ERJ3GEYJ 102 V (1K)	B	152.0/54.7
R4007	7030003840	S.RES ERJ3GEYJ 225 V (2.2M)	B	159.7/65.6
R4050	7030007230	S.RES ERA3YED 102V (1K)	T	157.1/64.2
R4051	7030007661	S.RES ERA3YED 331V (330)	T	158.4/64.2
R4403	7030003200	S.RES ERJ3GEYJ 100 V (10)	B	139.0/107.0
R4404	7030003440	S.RES ERJ3GEYJ 102 V (1K)	B	151.6/96.1
R4450	7030003440	S.RES ERJ3GEYJ 102 V (1K)	B	158.1/90.7
R4451	7030003440	S.RES ERJ3GEYJ 102 V (1K)	B	152.8/99.9
R4452	7030003680	S.RES ERJ3GEYJ 104 V (100K)	B	164.4/86.1
R4453	7030003440	S.RES ERJ3GEYJ 102 V (1K)	B	160.1/98.7
R4454	7030003680	S.RES ERJ3GEYJ 104 V (100K)	B	160.3/86.1
R4503	7030003310	S.RES ERJ3GEYJ 820 V (82)	B	167.0/118.5
R4504	7030003320	S.RES ERJ3GEYJ 101 V (100)	B	169.8/117.9
R4505	7030003310	S.RES ERJ3GEYJ 820 V (82)	B	172.5/119.5
R4512	7030003220	S.RES ERJ3GEYJ 150 V (15)	B	160.1/102.5
R4513	7030003220	S.RES ERJ3GEYJ 150 V (15)	B	160.9/105.1
R4514	7030003240	S.RES ERJ3GEYJ 220 V (22)	B	162.7/101.8
R4515	7030003200	S.RES ERJ3GEYJ 100 V (10)	B	170.5/94.3
R4516	7030003230	S.RES ERJ3GEYJ 180 V (18)	B	161.5/91.6
R4517	7030003370	S.RES ERJ3GEYJ 271 V (270)	B	160.7/89.1
R4518	7030003370	S.RES ERJ3GEYJ 271 V (270)	B	160.7/94.0
R4519	7030003340	S.RES ERJ3GEYJ 151 V (150)	B	165.2/101.0
R4520	7030007860	S.RES ERJ3GEYJ 8R2V (8.2)	B	162.7/98.5
R5000	7030003360	S.RES ERJ3GEYJ 221 V (220)	B	123.4/71.4
R5001	7030003360	S.RES ERJ3GEYJ 221 V (220)	B	125.2/71.4
R5002	7030003360	S.RES ERJ3GEYJ 221 V (220)	B	124.2/68.9
R5004	7030003320	S.RES ERJ3GEYJ 101 V (100)	B	149.3/81.1
R5005	7030003440	S.RES ERJ3GEYJ 102 V (1K)	B	130.2/70.9
R5006	7030003320	S.RES ERJ3GEYJ 101 V (100)	B	128.0/73.0
R5007	7030003500	S.RES ERJ3GEYJ 332 V (3.3K)	B	141.5/74.7
R5008	7030003860	S.RES ERJ3GE JPW V	T	129.6/78.8
R5009	7030003470	S.RES ERJ3GEYJ 182 V (1.8K)	B	141.5/76.5
R5010	7030003500	S.RES ERJ3GEYJ 332 V (3.3K)	B	140.2/82.9
R5011	7030003470	S.RES ERJ3GEYJ 182 V (1.8K)	B	140.2/84.7
R5012	7030003440	S.RES ERJ3GEYJ 102 V (1K)	B	135.3/119.9
R5013	7030010450	S.RES ERA3YED 391V (390)	T	130.5/76.2
R5014	7030003860	S.RES ERJ3GE JPW V	T	130.5/77.5
R5015	7030003840	S.RES ERJ3GEYJ 225 V (2.2M)	B	140.2/86.5
R5016	7030003440	S.RES ERJ3GEYJ 102 V (1K)	B	131.5/98.7
R5017	7030003440	S.RES ERJ3GEYJ 102 V (1K)	B	136.1/92.2
R5019	7030003860	S.RES ERJ3GE JPW V	T	119.0/64.4
R5020	7030003240	S.RES ERJ3GEYJ 220 V (22)	B	115.9/71.6
R5021	7030003360	S.RES ERJ3GEYJ 221 V (220)	B	115.9/69.8
R5022	7030003640	S.RES ERJ3GEYJ 473 V (47K)	B	116.7/67.3
R5100	7030003320	S.RES ERJ3GEYJ 101 V (100)	B	124.9/100.8
R5101	7030003680	S.RES ERJ3GEYJ 104 V (100K)	T	126.6/102.8
R5102	7030003680	S.RES ERJ3GEYJ 104 V (100K)	B	128.7/102.8
R5103	7030003370	S.RES ERJ3GEYJ 271 V (270)	B	123.0/93.5
R5104	7030003500	S.RES ERJ3GEYJ 332 V (3.3K)	T	120.9/98.0
R5105	7030003550	S.RES ERJ3GEYJ 822 V (8.2K)	T	120.9/102.5
R5106	7030003320	S.RES ERJ3GEYJ 101 V (100)	B	119.4/95.7
R5107	7030003370	S.RES ERJ3GEYJ 271 V (270)	T	119.6/102.8
R5108	7030003400	S.RES ERJ3GEYJ 471 V (470)	B	115.7/102.5
R5109	7030003370	S.RES ERJ3GEYJ 271 V (270)	B	117.5/102.5
R5110	7030003230	S.RES ERJ3GEYJ 180 V (18)	B	117.5/105.8
R5111	7030003370	S.RES ERJ3GEYJ 271 V (270)	B	120.1/110.0
R5112	7030003200	S.RES ERJ3GEYJ 100 V (10)	B	120.6/85.8
R5113	7030003860	S.RES ERJ3GE JPW V	T	120.9/107.8
R5150	7030003400	S.RES ERJ3GEYJ 471 V (470)	T	123.7/106.6
R5151	7030003510	S.RES ERJ3GEYJ 392 V (3.9K)	T	119.8/108.0
R5152	7030003510	S.RES ERJ3GEYJ 392 V (3.9K)	T	118.1/106.6
R5153	7030003360	S.RES ERJ3GEYJ 221 V (220)	T	116.8/112.3
R5154	7030003370	S.RES ERJ3GEYJ 271 V (270)	T	122.2/116.7
R5155	7030003230	S.RES ERJ3GEYJ 180 V (18)	T	122.2/118.0
R5156	7030003370	S.RES ERJ3GEYJ 271 V (270)	T	124.2/117.3
R5200	7030003400	S.RES ERJ3GEYJ 471 V (470)	T	127.3/106.2
R5201	7030003510	S.RES ERJ3GEYJ 392 V (3.9K)	T	127.3/107.4
R5202	7030003510	S.RES ERJ3GEYJ 392 V (3.9K)	T	130.7/107.0
R5203	7030003360	S.RES ERJ3GEYJ 221 V (220)	T	127.2/111.2
R5204	7030003370	S.RES ERJ3GEYJ 271 V (270)	T	131.6/121.7
R5205	7030003230	S.RES ERJ3GEYJ 180 V (18)	T	134.2/118.1
R5206	7030003370	S.RES ERJ3GEYJ 271 V (270)	T	137.0/118.1
R5299	7030003440	S.RES ERJ3GEYJ 102 V (1K)	B	166.2/37.3
R5300	7030003320	S.RES ERJ3GEYJ 101 V (100)	B	156.4/40.8
R5301	7030003440	S.RES ERJ3GEYJ 102 V (1K)	B	145.3/37.1
R5302	7030003360	S.RES ERJ3GEYJ 221 V (220)	B	164.1/35.0
R5303	7030003440	S.RES ERJ3GEYJ 102 V (1K)	B	164.1/38.1
R5304	7030003440	S.RES ERJ3GEYJ 102 V (1K)	B	164.3/40.5
R5305	7030003800	S.RES ERJ3GEYJ 105 V (1M)	B	162.6/38.4
R5306	7030007220	S.RES ERA3YED 202V (2K)	T	163.6/53.2
R5307	7030007220	S.RES ERA3YED 202V (2K)	T	164.9/47.5
R5308	7030007220	S.RES ERA3YED 202V (2K)	T	163.7/47.9
R5309	7030007230	S.RES ERA3YED 102V (1K)	T	163.7/51.3
R5310	7030007220	S.RES ERA3YED 202V (2K)	T	162.5/48.3
R5311	7030007230	S.RES ERA3YED 102V (1K)	T	162.5/51.3
R5312	7030007220	S.RES ERA3YED 202V (2K)	T	161.3/48.7
R5313	7030007230	S.RES ERA3YED 102V (1K)	T	161.3/51.3
R5314	7030007220	S.RES ERA3YED 202V (2K)	T	160.1/48.7
R5315	7030007230	S.RES ERA3YED 102V (1K)	T	160.1/51.3
R5316	7030007220	S.RES ERA3YED 202V (2K)	T	158.9/48.7
R5317	7030007230	S.RES ERA3YED 102V (1K)	T	158.9/51.3
R5318	7030007220	S.RES ERA3YED 202V (2K)	T	157.7/48.7
R5319	7030007230	S.RES ERA3YED 102V (1K)	T	157.7/51.3
R5320	7030007200	S.RES ERA3YED 202V (2K)	T	156.5/48.7
R5321	7030007210	S.RES ERA3YED 102V (1K)	T	156.5/51.3
R5322	7030007200	S.RES ERA3YED 202V (2K)	T	155.3/48.7
R5323	7030007210	S.RES ERA3YED 102V (1K)	T	155.3/51.3
R5324	7030007200	S.RES ERA3YED 202V (2K)	T	154.1/48.7
R5325	7030007210	S.RES ERA3YED 102V (1K)	T	154.1/51.3
R5326	7030007200	S.RES ERA3YED 202V (2K)	T	152.9/48.7
R5327	7030007210	S.RES ERA3YED 102V (1K)	T	152.9/51.3
R5328	7030007200	S.RES ERA3YED 202V (2K)	T	151.7/48.7
R5329	7030007210	S.RES ERA3YED 102V (1K)	T	151.7/51.3
R5400	7030003400	S.RES ERJ3GEYJ 471 V (470)	T	147.7/53.2

[PLL UNIT]

REF NO.	PARTS NO.	DESCRIPTION	M.	H/V LOCATION
R5401	7030003400	S.RES ERJ3GEYJ 471 V (470)	T	147.1/43.8
R5402	7030003320	S.RES ERJ3GEYJ 101 V (100)	B	172.5/30.8
R5403	7030003480	S.RES ERJ3GEYJ 222 V (2.2K)	B	166.1/28.7
R5404	7030003470	S.RES ERJ3GEYJ 182 V (1.8K)	B	169.7/30.3
R5405	7030003360	S.RES ERJ3GEYJ 221 V (220)	B	166.4/34.2
R5406	7030003370	S.RES ERJ3GEYJ 271 V (270)	B	168.2/40.7
R5407	7030003200	S.RES ERJ3GEYJ 180 V (18)	B	170.3/39.4
R5408	7030003370	S.RES ERJ3GEYJ 271 V (270)	B	171.1/41.7
R5500	7030003360	S.RES ERJ3GEYJ 221 V (220)	B	130.5/45.6
R5501	7030003480	S.RES ERJ3GEYJ 222 V (2.2K)	T	133.3/44.9
R5502	7030003370	S.RES ERJ3GEYJ 271 V (270)	T	135.5/49.4
R5503	7030003470	S.RES ERJ3GEYJ 182 V (1.8K)	T	133.3/48.8
R5504	7030003440	S.RES ERJ3GEYJ 102 V (1K)	T	131.4/45.5
R5505	7030003370	S.RES ERJ3GEYJ 271 V (270)	T	132.3/36.6
R5506	7030003230	S.RES ERJ3GEYJ 180 V (18)	T	130.5/35.8
R5507	7030003370	S.RES ERJ3GEYJ 271 V (270)	T	132.3/35.1
R5601	7030003800	S.RES ERJ3GEYJ 105 V (1M)	B	154.1/29.7
R5602	7030003200	S.RES ERJ3GEYJ 100 V (10)	B	151.5/34.3
R5603	7030007230	S.RES ERA3YED 102V (1K)	T	152.3/26.0
R5604	7030009691	S.RES ERA3YED 101V (100)	T	157.6/24.5
R5605	7030005321	S.RES ERA3YED 103V (10K)	T	156.3/25.5
R5606	7030003560	S.RES ERJ3GEYJ 103 V (10K)	T	148.0/14.4
R5607	7030003560	S.RES ERJ3GEYJ 103 V (10K)	T	150.0/17.2
R5608	7030003680	S.RES ERJ3GEYJ 104 V (100K)	T	162.3/12.7
R5609	7030003680	S.RES ERJ3GEYJ 104 V (100K)	T	160.0/9.5
R5610	7030003340	S.RES ERJ3GEYJ 151 V (150)	T	162.6/17.5
R5611	7030003350	S.RES ERJ3GEYJ 181 V (180)	T	161.3/9.5
R5612	7030003320	S.RES ERJ3GEYJ 101 V (100)	B	164.8/9.5
R5613	7030003640	S.RES ERJ3GEYJ 473 V (47K)	B	160.8/14.8
R5614	7030003360	S.RES ERJ3GEYJ 221 V (220)	B	162.4/14.8
R5615	7030003320	S.RES ERJ3GEYJ 101 V (100)	B	162.4/10.0
R5616	7030003220	S.RES ERJ3GEYJ 150 V (15)	B	163.7/17.9
R5617	7030003320	S.RES ERJ3GEYJ 150 V (15)	B	165.3/21.2
R5618	7030003310	S.RES ERJ3GEYJ 820 V (82)	B	163.7/21.2
R5619	7030003240	S.RES ERJ3GEYJ 220 V (22)	B	142.8/32.8
R5620	7030003320	S.RES ERJ3GEYJ 101 V (100)	B	163.7/24.5
R5621	7030003320	S.RES ERJ3GEYJ 101 V (100)	B	161.1/25.3
R5622	7030003640	S.RES ERJ3GEYJ 473 V (47K)	T	149.5/24.4
R5623	7030003360	S.RES ERJ3GEYJ 221 V (220)	T	147.2/25.8
R5624	7030003350	S.RES ERJ3GEYJ 181 V (180)	B	166.4/24.6
R5625	7030003260	S.RES ERJ3GEYJ 330 V (33)	B	169.0/25.5
R5626	7030003350	S.RES ERJ3GEYJ 181 V (180)	B	169.6/27.1
R5630	7030003440	S.RES ERJ3GEYJ 102 V (1K)	B	146.0/17.1
R5631	7030003320	S.RES ERJ3GEYJ 101 V (100)	B	157.1/33.3
R5632	7030003840	S.RES ERJ3GEYJ 225 V (2.2M)	T	136.1/10.3
R5633	7030003860	S.RES ERJ3GE JPW V	T	146.8/29.0
C100	4030011600	S.CER C1608 JB 1E 104K-T	B	47.3/18.8
C104	4030011600	S.CER C1608 JB 1E 104K-T	T	37.1/29.2
C106	4030006860	S.CER C1608 JB 1H 102K-T	B	26.5/13.1
C107	4030007050	S.CER C1608 CH 1H 220J-T	T	25.9/16.9
C108	4030007050	S.CER C1608 CH 1H 220J-T	T	29.1/7.9
C109	4030006860	S.CER C1608 JB 1H 102K-T	T	27.1/16.9
C110	4030007050	S.CER C1608 CH 1H 220J-T	T	27.9/7.9
C111	4030007050	S.CER C1608 CH 1H 220J-T	T	23.5/16.9
C112	4030007050	S.CER C1608 CH 1H 220J-T	T	23.1/7.9
C114	4030006860	S.CER C1608 JB 1H 102K-T	B	24.2/7.8
C115	4030006860	S.CER C1608 JB 1H 102K-T	B	19.2/7.4
C200	4030011600	S.CER C1608 JB 1E 104K-T	B	21.4/22.1
C213	4030011600	S.CER C1608 JB 1E 104K-T	B	6.2/22.1
C300	4030011600	S.CER C1608 JB 1E 104K-T	B	130.0/7.9
C301	4030011600	S.CER C1608 JB 1E 104K-T	T	19.9/22.3
C303	4030011600	S.CER C1608 JB 1E 104K-T	T	34.9/22.9
C350	4510008500	S.ELE EEE1CA101WP	T	102.2/22.2
C351	4030006880	S.CER C1608 JB 1H 472K-T	T	107.1/20.8
C352	4030017810	S.CER C1608 CH 1H 102J-T	T	107.1/23.6
C400	4510008500	S.ELE EEE1CA101WP	T	64.0/8.3
C401	4510008500	S.ELE EEE1CA101WP	T	96.4/6.5
C403	4030011600	S.CER C1608 JB 1E 104K-T	B	37.6/9.2
C404	4030011600	S.CER C1608 JB 1E 104K-T	B	88.8/10.8
C406	4030011600	S.CER C1608 JB 1E 104K-T	B	37

[PLL UNIT]

REF NO.	PARTS NO.	DESCRIPTION	M.	H/V LOCATION
C752	4030011600	S.CER C1608 JB 1E 104K-T	T	76.5/49.2
C753	4030011600	S.CER C1608 JB 1E 104K-T	T	74.3/54.6
C754	4030006880	S.CER C1608 JB 1H 472K-T	T	99.0/57.2
C755	4030006880	S.CER C1608 JB 1H 472K-T	T	84.5/56.9
C756	4030011600	S.CER C1608 JB 1E 104K-T	B	83.0/52.0
C757	4030011600	S.CER C1608 JB 1E 104K-T	B	83.0/50.2
C758	4030011600	S.CER C1608 JB 1E 104K-T	B	80.2/47.0
C759	4030011600	S.CER C1608 JB 1E 104K-T	B	82.4/43.2
C761	4030011600	S.CER C1608 JB 1E 104K-T	T	97.8/57.2
C763	4030006880	S.CER C1608 JB 1H 472K-T	B	79.6/58.2
C764	4030006880	S.CER C1608 JB 1H 472K-T	B	78.9/56.9
C765	4510008540	S.ELE EEE1CA100SR	T	102.1/56.2
C766	4030006880	S.CER C1608 JB 1H 472K-T	B	79.6/55.6
C767	4030011600	S.CER C1608 JB 1E 104K-T	B	83.6/41.6
C769	4030011600	S.CER C1608 JB 1E 104K-T	B	87.5/51.8
C770	4030011600	S.CER C1608 JB 1E 104K-T	T	88.4/57.6
C771	4030011600	S.CER C1608 JB 1E 104K-T	B	91.0/41.7
C772	4030011600	S.CER C1608 JB 1E 104K-T	T	95.7/39.3
C773	4030011600	S.CER C1608 JB 1E 104K-T	B	90.7/51.8
C774	4030011600	S.CER C1608 JB 1E 104K-T	B	93.5/57.9
C775	4030011600	S.CER C1608 JB 1E 104K-T	B	92.7/51.8
C776	4030011600	S.CER C1608 JB 1E 104K-T	T	98.5/53.1
C777	4030011600	S.CER C1608 JB 1E 104K-T	T	97.5/48.2
C778	4030011600	S.CER C1608 JB 1E 104K-T	T	97.1/41.7
C779	4030011600	S.CER C1608 JB 1E 104K-T	T	97.1/44.5
C800	4030006880	S.CER C1608 JB 1H 472K-T	B	106.4/62.6
C801	4030006880	S.CER C1608 JB 1H 472K-T	B	97.4/63.5
C802	4030011600	S.CER C1608 JB 1E 104K-T	B	104.8/59.8
C830	4030017810	S.CER C1608 CH 1H 102J-T	B	101.1/83.1
C831	4030017810	S.CER C1608 CH 1H 102J-T	B	91.4/82.0
C832	4030017810	S.CER C1608 CH 1H 102J-T	B	93.9/88.2
C833	4510008760	S.ELE EEE1HA4R7SR	T	83.8/78.5
C834	4030006880	S.CER C1608 JB 1H 472K-T	T	94.0/56.5
C835	4550007520	S.TAN F931A106MAABMA	B	99.5/57.4
C860	4030006880	S.CER C1608 JB 1H 472K-T	B	93.0/69.8
C861	4030011600	S.CER C1608 JB 1E 104K-T	B	89.2/72.1
C900	4030006880	S.CER C1608 JB 1H 472K-T	T	88.4/73.6
C901	4030007010	S.CER C1608 CH 1H 100D-T	B	90.6/67.4
C902	4510008540	S.ELE EEE1CA100SR	T	92.7/78.9
C903	4030006880	S.CER C1608 JB 1H 472K-T	T	88.7/71.7
C904	4030016550	S.CER CM105 CH 151G 50AT	T	88.7/69.1
C905	4030016550	S.CER CM105 CH 151G 50AT	T	88.7/67.8
C906	4030016550	S.CER CM105 CH 151G 50AT	T	100.5/71.7
C930	4030007070	S.CER C1608 CH 1H 330J-T	T	101.8/67.9
C931	4030009910	S.CER C1608 CH 1H 040B-T	T	102.9/71.7
C932	4030007070	S.CER C1608 CH 1H 330J-T	T	101.7/71.7
C933	4550000550	S.TAN TEESVA 1V 224M8R	B	103.1/70.2
C1000	4030017810	S.CER C1608 CH 1H 102J-T	T	66.8/73.4
C1001	4030006880	S.CER C1608 JB 1H 472K-T	T	68.1/74.6
C1002	4030017810	S.CER C1608 CH 1H 102J-T	T	64.1/73.4
C1003	4030017810	S.CER C1608 CH 1H 102J-T	T	62.9/69.9
C1004	4030011600	S.CER C1608 JB 1E 104K-T	T	67.2/64.6
C1005	4510008540	S.ELE EEE1CA100SR	T	61.7/80.0
C1006	4030006880	S.CER C1608 JB 1H 102K-T	T	69.8/69.9
C1007	4030011600	S.CER C1608 JB 1E 104K-T	T	69.8/64.6
C1008	4030006880	S.CER C1608 JB 1H 472K-T	T	60.6/57.5
C1009	4550007960	S.TAN TEESVB2 1E 475M8R	B	66.8/81.7
C1010	4550007960	S.TAN TEESVB2 1E 475M8R	B	68.6/75.4
C1011	4510008760	S.ELE EEE1HA4R7SR	T	67.3/58.9
C1012	4510008760	S.ELE EEE1HA4R7SR	T	67.3/53.1
C1014	4030017810	S.CER C1608 CH 1H 102J-T	B	76.2/72.7
C1015	4030017810	S.CER C1608 CH 1H 102J-T	B	78.4/66.0
C1016	4030007130	S.CER C1608 CH 1H 101J-T	T	78.5/67.3
C1019	4550007310	S.TAN F930J227MNBMA	B	72.7/75.8
C1303	4030017810	S.CER C1608 CH 1H 102J-T	B	80.7/108.5
C1304	4030011600	S.CER C1608 JB 1E 104K-T	B	78.9/108.5
C1305	4510008870	S.ELE EEE1AA471UP	T	60.9/89.2
C1306	4030017810	S.CER C1608 CH 1H 102J-T	B	67.8/108.7
C1307	4030017810	S.CER C1608 CH 1H 102J-T	B	65.1/109.0
C1308	4030006860	S.CER C1608 JB 1H 102K-T	B	61.4/111.4
C1309	4030017810	S.CER C1608 CH 1H 102J-T	B	59.0/110.4
C1351	4030006860	S.CER C1608 JB 1H 102K-T	B	70.9/103.4
C1352	4030006860	S.CER C1608 JB 1H 102K-T	B	72.6/100.5
C1353	4030006860	S.CER C1608 JB 1H 102K-T	B	68.0/97.9
C1901	4050000290	S.FEE CNF10R102S-TM	T	116.0/29.4
C1902	4050000290	S.FEE CNF10R102S-TM	T	114.0/29.4
C1903	4050000290	S.FEE CNF10R102S-TM	T	112.0/29.4
C1904	4050000290	S.FEE CNF10R102S-TM	T	110.0/29.4
C1905	4050000290	S.FEE CNF10R102S-TM	T	109.0/31.8
C1906	4050000290	S.FEE CNF10R102S-TM	T	109.0/33.8
C1907	4050000290	S.FEE CNF10R102S-TM	T	109.0/35.8
C1908	4050000300	S.FEE CNF10C470S-TM	T	65.0/42.6
C1909	4050000300	S.FEE CNF10C470S-TM	T	66.8/45.0
C1910	4050000300	S.FEE CNF10C470S-TM	T	64.5/44.8
C1911	4050000290	S.FEE CNF10R102S-TM	T	61.2/42.2
C1912	4050000290	S.FEE CNF10R102S-TM	T	59.2/42.2
C1913	4050000290	S.FEE CNF10R102S-TM	T	57.4/38.8
C1914	4050000290	S.FEE CNF10R102S-TM	T	55.4/38.8
C1915	4050000290	S.FEE CNF10R102S-TM	T	53.8/35.2
C1916	4050000290	S.FEE CNF10R102S-TM	T	52.8/38.0
C1917	4050000290	S.FEE CNF10R102S-TM	T	50.1/38.1
C1918	4050000290	S.FEE CNF10R102S-TM	T	50.2/34.1
C1919	4050000290	S.FEE CNF10R102S-TM	T	49.2/36.1
C1921	4050000290	S.FEE CNF10R102S-TM	T	9.3/54.5
C1922	4050000290	S.FEE CNF10R102S-TM	T	1.9/53.2
C1923	4050000290	S.FEE CNF10R102S-TM	T	3.7/55.9
C1924	4050000290	S.FEE CNF10R102S-TM	T	5.5/53.2
C1925	4050000290	S.FEE CNF10R102S-TM	T	7.3/55.9
C1926	4050000290	S.FEE CNF10R102S-TM	T	7.5/70.0
C1927	4050000290	S.FEE CNF10R102S-TM	T	5.7/72.7
C1928	4050000290	S.FEE CNF10R102S-TM	T	3.9/70.0
C1929	4050000290	S.FEE CNF10R102S-TM	T	2.1/72.7
C2051	4030017810	S.CER C1608 CH 1H 102J-T	T	38.9/66.6
C2052	4030017810	S.CER C1608 CH 1H 102J-T	B	45.1/59.0
C2053	4030011770	S.CER C1608 CH 1H 060B-T	T	42.2/63.6

[PLL UNIT]

REF NO.	PARTS NO.	DESCRIPTION	M.	H/V LOCATION
C2054	4030006860	S.CER C1608 JB 1H 102K-T	T	38.9/57.4
C2055	4030006860	S.CER C1608 JB 1H 102K-T	T	42.6/53.8
C2056	4030007030	S.CER C1608 CH 1H 150J-T	T	43.6/63.6
C2057	4030011770	S.CER C1608 CH 1H 060B-T	T	45.7/64.3
C2058	4030009910	S.CER C1608 CH 1H 040B-T	T	45.7/63.0
C2059	4030009550	S.CER C1608 CH 1H 2R5B-T	T	47.8/62.3
C2060	4030009550	S.CER C1608 CH 1H 040B-T	T	45.7/61.8
C2061	4030006990	S.CER C1608 CH 1H 080D-T	T	44.7/50.7
C2062	4030009920	S.CER C1608 CH 1H 050B-T	T	44.7/53.1
C2063	4030006990	S.CER C1608 CH 1H 080D-T	T	42.9/51.1
C2100	4030017810	S.CER C1608 CH 1H 102J-T	T	48.5/58.5
C2101	4030017810	S.CER C1608 CH 1H 102J-T	T	44.3/59.9
C2102	4030006860	S.CER C1608 JB 1H 102K-T	T	48.5/55.9
C2105	4030007030	S.CER C1608 CH 1H 150J-T	T	41.1/53.8
C2106	4030007050	S.CER C1608 CH 1H 220J-T	T	40.4/51.6
C2201	4030007030	S.CER C1608 CH 1H 150J-T	B	56.9/69.1
C2202	4030007050	S.CER C1608 CH 1H 220J-T	B	55.7/67.6
C2203	4030007030	S.CER C1608 CH 1H 150J-T	B	54.5/69.1
C2204	4030009550	S.CER C1608 CH 1H 030B-T	T	46.5/66.9
C2205	4030009520	S.CER C1608 CH 1H 020B-T	T	44.2/67.5
C2206	4030009530	S.CER C1608 CH 1H 030B-T	T	41.9/67.7
C2300	4030007030	S.CER C1608 CH 1H 150J-T	T	43.9/46.2
C2301	4030011600	S.CER C1608 JB 1E 104K-T	T	42.0/42.7
C2302	4030011600	S.CER C1608 JB 1E 104K-T	T	46.0/47.4
C2303	4030006860	S.CER C1608 JB 1H 102K-T	T	27.3/45.6
C2304	4550006240	S.TAN TEESVB2 0G 336M8R	T	48.8/42.4
C2305	4030011600	S.CER C1608 JB 1E 104K-T	T	34.2/42.3
C2306	4030006860	S.CER C1608 JB 1H 102K-T	T	31.8/46.2
C2307	4030011600	S.CER C1608 JB 1E 104K-T	T	29.3/43.2
C2400	4030007090	S.CER C1608 CH 1H 470J-T	T	24.9/45.9
C2401	4030007010	S.CER C1608 CH 1H 100D-T	T	23.7/44.4
C2402	4030007100	S.CER C1608 CH 1H 560J-T	T	23.0/46.7
C2403	4030007060	S.CER C1608 CH 1H 270J-T	T	22.2/44.4
C2404	4030007070	S.CER C1608 CH 1H 330J-T	T	20.9/45.8
C2405	4030007090	S.CER C1608 CH 1H 470J-T	T	20.9/43.2
C2406	4030010760	S.CER C1608 CH 1H 331J-T	T	18.8/44.2
C2407	4030007060	S.CER C1608 CH 1H 270J-T	T	18.8/43.0
C2408	4030007140	S.CER C1608 CH 1H 121J-T	T	16.9/43.2
C2409	4030007100	S.CER C1608 CH 1H 560J-T	T	15.7/43.2
C2500	4030017810	S.CER C1608 CH 1H 102J-T	B	10.1/84.0
C2510	4030017810	S.CER C1608 CH 1H 102J-T	B	2.8/115.6
C2511	4030017810	S.CER C1608 CH 1H 102J-T	T	3.7/118.9
C2512	4030017810	S.CER C1608 CH 1H 102J-T	T	3.8/115.2
C2513	4030017810	S.CER C1608 CH 1H 102J-T	B	23.6/96.7
C2514	4030017810	S.CER C1608 CH 1H 102J-T	B	23.6/93.2
C2515	4030017810	S.CER C1608 CH 1H 102J-T	B	23.6/89.7
C2516	4030017810	S.CER C1608 CH 1H 102J-T	B	23.6/86.2
C2556	4030017810	S.CER C1608 CH 1H 102J-T	B	29.3/96.0
C2557	4030017810	S.CER C1608 CH 1H 102J-T	B	31.8/88.3
C2558	4030017810	S.CER C1608 CH 1H 102J-T	B	35.3/90.3
C2559	4030017810	S.CER C1608 CH 1H 102J-T	B	38.0/84.3
C2561	4030017810	S.CER C1608 CH 1H 102J-T	B	18.7/118.7
C2562	4030017810	S.CER C1608 CH 1H 102J-T	B	20.2/106.7
C2563	4030017810	S.CER C1608 CH 1H 102J-T	B	22.0/106.6
C3001	4030017810	S.CER C1608 CH 1H 102J-T	T	50.6/114.0
C3004	4030017810	S.CER C1608 CH 1H 102J-T	B	49.2/125.2
C3005	4030017810	S.CER C1608 CH 1H 102J-T	B	44.4/122.0
C3006	4030017810	S.CER C1608 CH 1H 102J-T	B	46.8/114.0
C3008	4030006860	S.CER C1608 JB 1H 102K-T	B	54.8/118.0
C3010	4030017810	S.CER C1608 CH 1H 102J-T	T	47.6/114.0
C3101	4030009910	S.CER C1608 CH 1H 040B-T	B	32.7/117.3
C3102	4030009530	S.CER C1608 CH 1H 030B-T	B	31.7/119.9
C3103	4030006980	S.CER C1608 CH 1H 070D-T	B	30.9/117.3
C3104	4030009510	S.CER C1608 CH 1H 010B-T	B	27.3/120.6
C3105	4030009910	S.CER C1608 CH 1H 040B-T	B	29.1/117.3
C3106	4030009910	S.CER C1608 CH 1H 040B-T	B	27.3/117.3
C3107	4030006980	S.CER C1608 CH 1H 070D-T	B	25.5/117.3
C3108	4030009550	S.CER C1608 CH 1H 2R5B-T	B	25.5/120.6
C3109	4030007050	S.CER C1608 CH 1H 220J-T	B	21.9/120.6
C3110	4030009920	S.CER C1608 CH 1H 050B-T	B	23.7/120.6
C3111	40			

[PLL UNIT]

REF NO.	PARTS NO.	DESCRIPTION	M.	H/V LOCATION
C4502	4030006860	S.CER C1608 JB 1H 102K-T	B	157.0/122.0
C4513	4030017810	S.CER C1608 CH 1H 102J-T	B	172.5/116.0
C4562	4030017810	S.CER C1608 CH 1H 102J-T	B	148.5/116.6
C4563	4030017810	S.CER C1608 CH 1H 102J-T	B	164.5/98.5
C4564	4030011600	S.CER C1608 JB 1E 104K-T	B	168.1/95.0
C4565	4030017810	S.CER C1608 CH 1H 102J-T	B	166.3/95.0
C4566	4030017810	S.CER C1608 CH 1H 102J-T	B	163.3/91.6
C4567	4030017810	S.CER C1608 CH 1H 102J-T	B	160.1/100.7
C4901	4050000290	S.FEE CNF10R102S-TM	T	144.2/69.9
C4902	4050000290	S.FEE CNF10R102S-TM	T	168.1/54.9
C4903	4050000290	S.FEE CNF10R102S-TM	T	170.1/54.9
C4904	4050000290	S.FEE CNF10R102S-TM	T	172.1/54.9
C4905	4050000290	S.FEE CNF10R102S-TM	T	172.4/50.7
C4906	4050000290	S.FEE CNF10R102S-TM	T	174.4/50.7
C4907	4050000290	S.FEE CNF10R102S-TM	T	176.4/50.7
C4908	4050000290	S.FEE CNF10R102S-TM	T	170.4/50.7
C4909	4050000290	S.FEE CNF10R102S-TM	T	174.1/54.9
C4910	4050000300	S.FEE CNF10C470S-TM	T	143.1/57.6
C4911	4050000300	S.FEE CNF10C470S-TM	T	143.1/55.6
C4912	4050000300	S.FEE CNF10C470S-TM	T	143.1/53.6
C4913	4050000290	S.FEE CNF10R102S-TM	T	139.3/106.5
C5000	4030006880	S.CER C1608 JB 1H 472K-T	B	119.5/77.9
C5001	4510008540	S.ELE EEE1CA100SR	T	130.0/71.0
C5002	4030011600	S.CER C1608 JB 1E 104K-T	B	133.5/70.9
C5003	4030006860	S.CER C1608 JB 1H 102K-T	T	126.9/73.6
C5004	4030011600	S.CER C1608 JB 1E 104K-T	T	120.0/74.5
C5005	4030017810	S.CER C1608 CH 1H 102J-T	T	123.4/70.1
C5006	4030011600	S.CER C1608 JB 1E 104K-T	B	149.3/82.9
C5007	4030017810	S.CER C1608 CH 1H 102J-T	T	133.0/85.1
C5008	4550006390	S.TAN TEESVA 1C 335M8R	T	130.6/74.5
C5009	4030006860	S.CER C1608 JB 1H 102K-T	B	130.5/101.1
C5010	4550007510	S.TAN F931C106MBA8MA	B	127.7/106.1
C5012	4030006900	S.CER C1608 JB 1H 103K-T	T	123.5/79.2
C5013	4340000440	S.MYL ECPU1C684MA5	T	127.3/77.6
C5018	4030006880	S.CER C1608 JB 1H 472K-T	B	118.5/70.9
C5019	4030006880	S.CER C1608 JB 1H 472K-T	B	115.7/64.4
C5020	4030011600	S.CER C1608 JB 1E 104K-T	B	112.6/69.8
C5021	4030006880	S.CER C1608 JB 1H 472K-T	T	120.0/77.3
C5100	4030007130	S.CER C1608 CH 1H 101J-T	T	133.9/97.8
C5101	4030007120	S.CER C1608 CH 1H 820J-T	B	129.1/97.1
C5102	4030007110	S.CER C1608 CH 1H 680J-T	T	131.5/97.8
C5105	4030017810	S.CER C1608 CH 1H 102J-T	T	129.4/103.6
C5106	4030007120	S.CER C1608 CH 1H 820J-T	T	122.2/102.6
C5107	4030007090	S.CER C1608 CH 1H 470J-T	T	122.1/97.8
C5108	4030006860	S.CER C1608 JB 1H 102K-T	T	128.9/102.2
C5109	4030009520	S.CER C1608 CH 1H 020B-T	T	121.6/100.7
C5110	4030007110	S.CER C1608 CH 1H 680J-T	T	120.9/95.4
C5111	4030007090	S.CER C1608 CH 1H 470J-T	B	119.5/101.3
C5112	4030006860	S.CER C1608 JB 1H 102K-T	T	118.3/102.8
C5113	4030011600	S.CER C1608 JB 1E 104K-T	B	116.0/95.7
C5114	4030006860	S.CER C1608 JB 1H 102K-T	B	117.6/95.7
C5115	4030006860	S.CER C1608 JB 1H 102K-T	T	122.1/95.2
C5116	4030006860	S.CER C1608 JB 1H 102K-T	B	117.8/88.1
C5117	4030011600	S.CER C1608 JB 1E 104K-T	B	117.0/85.5
C5118	4510008830	S.ELE EEE1CA221P	T	125.7/86.5
C5150	4030006860	S.CER C1608 JB 1H 102K-T	T	120.9/106.7
C5151	4030006860	S.CER C1608 JB 1H 102K-T	T	119.6/112.3
C5152	4030006860	S.CER C1608 JB 1H 102K-T	T	116.8/111.0
C5153	4030007100	S.CER C1608 CH 1H 560J-T	T	118.3/113.6
C5154	4030007070	S.CER C1608 CH 1H 330J-T	T	120.3/114.3
C5155	4030007130	S.CER C1608 CH 1H 101J-T	T	118.3/114.9
C5156	4030007020	S.CER C1608 CH 1H 120J-T	T	118.3/116.2
C5157	4030007110	S.CER C1608 CH 1H 680J-T	T	117.8/120.8
C5200	4030006860	S.CER C1608 JB 1H 102K-T	T	129.4/107.0
C5201	4030006860	S.CER C1608 JB 1H 102K-T	T	125.2/111.7
C5202	4030006860	S.CER C1608 JB 1H 102K-T	T	129.2/111.7
C5203	4030007100	S.CER C1608 CH 1H 560J-T	T	127.2/112.5
C5204	4030007070	S.CER C1608 CH 1H 330J-T	T	128.2/117.1
C5205	4030007130	S.CER C1608 CH 1H 101J-T	T	127.6/119.1
C5206	4030007020	S.CER C1608 CH 1H 120J-T	T	128.9/119.1
C5207	4030007110	S.CER C1608 CH 1H 680J-T	T	130.3/121.7
C5300	4030006880	S.CER C1608 JB 1H 472K-T	B	158.8/40.0
C5301	4030011600	S.CER C1608 JB 1E 104K-T	B	156.9/36.8
C5302	4030011600	S.CER C1608 JB 1E 104K-T	B	160.8/30.1
C5303	4030011600	S.CER C1608 JB 1E 104K-T	B	160.8/32.1
C5304	4030006880	S.CER C1608 JB 1H 472K-T	B	151.5/37.1
C5305	4030011600	S.CER C1608 JB 1E 104K-T	B	152.8/37.1
C5306	4510008870	S.ELE EEE1AA471UP	T	173.1/44.9
C5307	4030011600	S.CER C1608 JB 1E 104K-T	B	160.3/34.2
C5308	4030011600	S.CER C1608 JB 1E 104K-T	T	163.7/43.7
C5309	4030011600	S.CER C1608 JB 1E 104K-T	T	161.7/45.3
C5310	4030011600	S.CER C1608 JB 1E 104K-T	B	161.0/42.8
C5311	4030011600	S.CER C1608 JB 1E 104K-T	T	151.2/46.0
C5312	4030011600	S.CER C1608 JB 1E 104K-T	B	150.7/45.2
C5313	4030011600	S.CER C1608 JB 1E 104K-T	T	146.7/41.8
C5314	4030011600	S.CER C1608 JB 1E 104K-T	T	146.8/37.3
C5315	4030011600	S.CER C1608 JB 1E 104K-T	B	148.8/34.9
C5316	4030011600	S.CER C1608 JB 1E 104K-T	T	146.8/33.6
C5317	4030011600	S.CER C1608 JB 1E 104K-T	T	148.1/28.5
C5318	4030011600	S.CER C1608 JB 1E 104K-T	B	151.3/28.7
C5319	4030011600	S.CER C1608 JB 1E 104K-T	T	154.1/26.7
C5320	4030011600	S.CER C1608 JB 1E 104K-T	T	157.2/26.7
C5400	4030011600	S.CER C1608 JB 1E 104K-T	T	150.3/53.2
C5401	4030006880	S.CER C1608 JB 1H 472K-T	B	173.4/29.2
C5402	4030011600	S.CER C1608 JB 1E 104K-T	B	149.8/41.6
C5403	4030011600	S.CER C1608 JB 1E 104K-T	B	168.2/35.8
C5404	4030006860	S.CER C1608 JB 1H 102K-T	B	168.2/37.8
C5500	4030006880	S.CER C1608 JB 1H 472K-T	T	130.7/48.8
C5501	4030006880	S.CER C1608 JB 1H 472K-T	T	134.2/50.9
C5502	4030006880	S.CER C1608 JB 1H 472K-T	T	135.5/46.6
C5503	4030006880	S.CER C1608 JB 1H 472K-T	T	129.9/45.5
C5504	4030007100	S.CER C1608 CH 1H 560J-T	T	134.8/41.6
C5505	4030008750	S.CER C1608 CH 1H 360J-T	T	133.6/41.6
C5506	4030007140	S.CER C1608 CH 1H 121J-T	T	134.3/39.5
C5507	4030007020	S.CER C1608 CH 1H 120J-T	T	132.4/38.9

[PLL UNIT]

REF NO.	PARTS NO.	DESCRIPTION	M.	H/V LOCATION
C5508	4030007110	S.CER C1608 CH 1H 680J-T	T	134.3/38.3
C5601	4030011600	S.CER C1608 JB 1E 104K-T	B	153.7/34.9
C5602	4550000460	S.TAN TEESVA 1C 105M8R	T	160.7/24.1
C5604	4550000550	S.TAN TEESVA 1V 224M8R	B	147.9/12.9
C5605	4030000700	S.CER C1608 CH 1H 330J-T	T	149.3/11.4
C5606	4030007070	S.CER C1608 CH 1H 330J-T	T	149.2/15.2
C5607	4030009510	S.CER C1608 CH 1H 010B-T	T	148.1/11.4
C5608	4030016550	S.CER CM105 CH 151G 50AT	T	150.5/11.4
C5609	4030016550	S.CER CM105 CH 151G 50AT	T	162.3/14.0
C5610	4030016550	S.CER CM105 CH 151G 50AT	T	162.3/15.3
C5611	4030006880	S.CER C1608 JB 1H 472K-T	T	162.3/11.4
C5612	4030009920	S.CER C1608 CH 1H 050B-T	B	159.3/13.3
C5613	4510008540	S.ELE EEE1CA100SR	T	168.7/11.0
C5614	4030006860	S.CER C1608 JB 1H 102K-T	T	162.6/9.5
C5615	4030011600	S.CER C1608 JB 1E 104K-T	B	161.6/12.4
C5616	4030006860	S.CER C1608 JB 1H 102K-T	B	161.6/17.1
C5617	4030006860	S.CER C1608 JB 1H 102K-T	B	141.3/32.8
C5618	4030006860	S.CER C1608 JB 1H 102K-T	T	152.1/23.9
C5619	4030011600	S.CER C1608 JB 1E 104K-T	T	147.9/23.1
C5620	4030006860	S.CER C1608 JB 1H 102K-T	B	169.0/28.7
C5622	4030006860	S.CER C1608 JB 1H 102K-T	T	170.2/29.1
C5901	4050000300	S.FEE CNF10C470S-TM	T	136.7/64.4
C5902	4050000300	S.FEE CNF10C470S-TM	T	136.7/60.4
C5903	4050000300	S.FEE CNF10C470S-TM	T	136.7/62.4
C5904	4050000290	S.FEE CNF10R102S-TM	T	136.7/58.4
C5905	4050000290	S.FEE CNF10R102S-TM	T	142.2/69.9
C5906	4050000290	S.FEE CNF10R102S-TM	T	140.2/69.9
C5907	4050000290	S.FEE CNF10R102S-TM	T	138.2/69.9
CP830	6910009670	S.CHE HK3-S-T	T	107.8/65.4
CP1000	6910009670	S.CHE HK3-S-T	T	83.3/72.4
CP4001	6910009670	S.CHE HK3-S-T	T	168.7/72.3
CP5001	6910009670	S.CHE HK3-S-T	T	135.1/83.6
CP5601	6910009670	S.CHE HK3-S-T	T	142.1/12.3
J1	6510021722	S.CON 30FLT-SM2-TB(LF)(SN)(M)	T	28.2/12.6
J450	6510007020	CON TMP-J01X-V6		
J500	6510007020	CON TMP-J01X-V6		
J1301	6510007020	CON TMP-J01X-V6		
J2400	6510007020	CON TMP-J01X-V6		
J2501	6510023480	S.CON AYU1-1P-02676-120-TF	T	6.4/80.0
J4500	6510007020	CON TMP-J01X-V6		
J5150	6510007020	CON TMP-J01X-V6		
J5200	6510007020	CON TMP-J01X-V6		
J5400	6510007020	CON TMP-J01X-V6		
J5500	6510007020	CON TMP-J01X-V6		
EP100	6910012350	S.BEA MMZ1608Y 102BT	B	30.3/12.8
EP102	6910014730	S.BEA MPZ2012S331A-T	B	20.8/7.6
EP104	6910014730	S.BEA MPZ2012S331A-T	B	22.6/7.6
EP750	6910012350	S.BEA MMZ1608Y 102BT	T	75.1/58.4
EP751	6910012350	S.BEA MMZ1608Y 102BT	B	81.9/59.9
EP752	6910012350	S.BEA MMZ1608Y 102BT	B	83.7/55.6
EP753	6910012350	S.BEA MMZ1608Y 102BT	B	82.9/56.9
EP754	6910012350	S.BEA MMZ1608Y 102BT	B	83.7/58.2
EP4500	6910012350	S.BEA MMZ1608Y 102BT	B	142.5/119.8

M.=Mounted side (T: Mounted on the Top side, B: Mounted on the Bottom side)
S.=Surface mount

[SCOPE/TV UNIT]

REF NO.	PARTS NO.	DESCRIPTION	M.	H/V LOCATION
IC101	1110005040	S.IC M52342FP 600C	B	44.6/25.0
IC201	1130011741	S.IC TC7W66FK(TE85LF)	T	56.5/48.0
IC202	1130011741	S.IC TC7W66FK(TE85LF)	T	51.6/46.0
IC203	1130011741	S.IC TC7W66FK(TE85LF)	T	59.1/34.4
IC204	1130011741	S.IC TC7W66FK(TE85LF)	T	9.0/62.3
IC401	1130011530	S.IC CD74HC4094M96	T	58.3/18.6
IC451	1130012620	S.IC SN74AHC1G86DCKR	T	95.8/19.4
IC1001	1110006180	S.IC UPG2009TB-E3	T	63.4/87.6
IC1002	1110006180	S.IC UPG2009TB-E3	T	92.9/59.5
IC1101	1190002051	S.IC SPM5001-TL-E	T	90.4/70.6
IC1403	1190002130	S.IC AD9852ASTZ <FE>	T	87.5/37.5
IC1501	1110006990	S.IC UPC2710TB-E3	T	99.3/50.0
IC1601	1110006131	S.IC UPC4094G2-E1-A	T	135.3/70.5
IC1602	1110006131	S.IC UPC4094G2-E1-A	T	132.8/57.2
IC2001	1130013440	S.IC SN74LVC2G74DCTR	T	115.2/18.2
IC2201	1190002051	S.IC SPM5001-TL-E	T	55.9/39.2
Q1	1580000751	S.FET 3SK294(TE85LF)	B	59.1/17.1
Q2	1530002561	S.TRA 2SC4403-3-TL-E	B	63.5/4.0
Q101	1590003930	S.TRA UMD22N TR	T	21.3/42.0
Q301	1510000620	S.TRA 2SA1576 T106 S	T	4.6/67.0
Q501	1590003930	S.TRA UMD22N TR	T	48.4/26.7
Q551	1590003930	S.TRA UMD22N TR	T	49.6/16.0
Q601	1590003930	S.TRA UMD22N TR	T	50.4/8.8
Q651	1590003930	S.TRA UMD22N TR	T	50.4/5.4
Q1001	1560000641	S.FET 2SK1740-4/5-TB-E	T	65.4/78.8
Q1002	1560001260	S.FET 2SK3018 T106	B	60.8/84.9
Q1003	1560001260	S.FET 2SK3018 T106	B	67.8/84.4
Q1051	1530003852	S.TRA 2SC5551A-F-TD-E	T	103.4/85.5
Q1202	1560000561	S.FET 2SK882-GR(TE85LF)	T	123.6/44.8
Q1203	1560000561	S.FET 2SK882-GR(TE85LF)	T	118.8/38.7
Q1301	1530002060	S.TRA 2SC4081 T106 R	T	76.9/51.2
Q1901	1530003151	S.TRA 2SC4673D-TD-E	T	68.9/56.6
Q2001	1530002561	S.TRA 2SC4403-3-TL-E	T	112.3/25.5
Q2101	1560000641	S.FET 2SK1740-4/5-TB-E	T	61.9/75.8
Q2181	1530003432	S.TRA 2SC5226A-4-TL-E	B	50.0/57.4
Q2301	1530003151	S.TRA 2SC4673D-TD-E	T	39.0/60.1
D101	1750000771	S.VAR HVC376BTRF-E	T	15.0/51.0
D501	1750000581	S.DIO 1SV307(TPH3F)	T	48.3/23.0
D502	1750000581	S.DIO 1SV307(TPH3F)	T	14.7/21.0
D551	1750000581	S.DIO 1SV307(TPH3F)	T	46.5/20.1
D552	1750000581	S.DIO 1SV307(TPH3F)	T	15.0/17.8
D601	1750000581	S.DIO 1SV307(TPH3F)	T	45.1/13.8
D602	1750000581	S.DIO 1SV307(TPH3F)	T	12.9/11.2
D651	1750000581	S.DIO 1SV307(TPH3F)	T	45.1/17.7
D652	1750000581	S.DIO 1SV307(TPH3F)	T	11.8/7.7
D1701	1750000431	S.DIO HSB88WSTR-E	T	131.5/34.0
FI201	2020001710	S.CER TPSKA4M50B00-R1 (TPSCC4.5M0-TC1)	T	17.2/71.8
FI202	2020001730	S.CER TPSKA5M50B00-R1 (TPSCC5.5MB-TC1)	T	23.3/64.2
FI203	2020001880	S.CER TPSKA6M00B00-R3 (TPSCC6.0MB-TC1)	T	18.4/59.3
FI204	2020002340	S.CER TPSKA6M50B00-R1	T	22.0/76.6
FI1201	2010002700	S.XTA DSF753SAF 24.2 MHz (FL-406)	T	115.4/74.9
FI1202	2010002690	S.XTA DSF753SAF 24.2 MHz (FL-407)	T	120.2/67.0
L70	6140004650	COI LR-523		
L71	6200007770	S.COI LQW2BHN10J03L	T	11.95/15.75
L102	6150005390	COI LS-164A		
L201	6200005021	S.COI NLV25T-150J	T	14.7/69.2
L202	6200005021	S.COI NLV25T-150J	T	20.8/61.8
L203	6200005021	S.COI NLV25T-150J	T	15.9/56.9
L204	6200005021	S.COI NLV25T-150J	T	19.6/74.2
L292	6200007800	S.COI LQW2BHN18J03L	B	77.1/84.7
L293	6200008080	S.COI LQW2BHN22J03L	B	77.9/87.7
L511	6200010740	S.COI C2520C-R27G-A	T	45.8/23.1
L512	6200010830	S.COI C2520C-3R3G-A	T	42.2/25.1
L513	6200010830	S.COI C2520C-3R3G-A	T	35.7/22.9
L514	6200010830	S.COI C2520C-3R3G-A	T	29.5/25.0
L515	6200010740	S.COI C2520C-R27G-A	T	25.9/23.0
L531	6200010680	S.COI C2520C-R22G-A (0.22U)	T	22.3/25.5
L532	6200010960	S.COI C2520C-R47G-A (0.47U)	T	18.7/23.0
L561	6200010740	S.COI C2520C-R27G-A	T	45.4/17.1
L562	6200010820	S.COI C2520C-2R7G-A	T	41.8/18.8
L563	6200010820	S.COI C2520C-2R7G-A	T	35.4/16.7
L564	6200010820	S.COI C2520C-2R7G-A	T	29.2/18.7
L565	6200010740	S.COI C2520C-R27G-A	T	25.7/16.5
L581	6200010680	S.COI C2520C-R22G-A (0.22U)	T	20.2/19.2
L582	6200010960	S.COI C2520C-R47G-A (0.47U)	T	18.3/17.1
L611	6200010740	S.COI C2520C-R27G-A	T	44.0/10.9
L612	6200010820	S.COI C2520C-2R7G-A	T	40.3/12.6
L613	6200010820	S.COI C2520C-2R7G-A	T	33.7/10.3
L614	6200010820	S.COI C2520C-2R7G-A	T	27.5/12.5
L615	6200010740	S.COI C2520C-R27G-A	T	23.8/10.7
L631	6200010680	S.COI C2520C-R22G-A (0.22U)	T	20.0/12.9
L632	6200011450	S.COI C2520C-R39G-A	T	16.3/11.0
L661	6200010740	S.COI C2520C-R27G-A	T	42.7/4.8
L662	6200010820	S.COI C2520C-2R7G-A	T	39.0/6.4
L663	6200010820	S.COI C2520C-2R7G-A	T	32.3/4.2
L664	6200010820	S.COI C2520C-2R7G-A	T	25.8/6.6
L665	6200010740	S.COI C2520C-R27G-A	T	21.9/4.8
L681	6200010680	S.COI C2520C-R22G-A (0.22U)	T	18.2/6.7
L682	6200011450	S.COI C2520C-R39G-A	T	14.3/5.3
L1001	6200005011	S.COI NLV25T-100J	T	66.7/81.7
L1002	6200011220	S.COI C2012C-R47J-A	T	67.8/76.0
L1003	6140002810	S.COI LR-317	T	73.2/78.1
L1004	6200010350	S.COI C2012C-R27G-A	T	97.6/25.6
L1005	6200010320	S.COI C2012C-R15G-A	T	100.5/25.3

[SCOPE/TV UNIT]

REF NO.	PARTS NO.	DESCRIPTION	M.	H/V LOCATION
L1006	6200011050	S.COI C2012C-R12G-A	T	104.9/25.8
L1007	6200009920	S.COI C2012C-R10G-A	T	106.7/29.4
L1009	6200010860	S.COI C2520C-R10G-A (0.1U)	T	106.0/34.7
L1010	6200011410	S.COI C2520C-82NG-A	T	105.2/38.2
L1011	6200010720	S.COI C2520C-56NG-A	T	103.4/43.1
L1012	6200010940	S.COI C2520C-39NG-A	T	104.3/46.7
L1051	6200005011	S.COI NLV25T-100J	B	90.8/81.4
L1052	6140003790	COI LR-442		
L1053	6200005011	S.COI NLV25T-100J	T	91.3/79.4
L1054	6200007790	S.COI LQW2BHN15J03L	T	99.5/77.9
L1071	6200008090	S.COI LQW2BHN68NJ03L	T	52.8/77.5
L1072	6140002810	S.COI LR-317	T	54.2/81.9
L1081	6200010650	S.COI C2520C-R12G-A (0.12U)	T	77.1/88.0
L1082	6200010860	S.COI C2520C-R10G-A (0.1U)	T	83.0/82.3
L1083	6200011410	S.COI C2520C-82NG-A	T	84.3/86.1
L1084	6200010720	S.COI C2520C-56NG-A	T	91.4/84.2
L1101	6130002961	S.COI #617DB-1327-P3	T	82.5/70.9
L1102	6130002961	S.COI #617DB-1327-P3	T	90.9/66.1
L1103	6130002961	S.COI #617DB-1327-P3	T	95.5/71.9
L1104	6180002971	S.COI NLV32T-R18J	B	76.4/64.7
L1105	6200001261	S.COI NLV32T-R12J	B	79.0/70.8
L1201	6180003410	COI SP0406-2R2K-6		
L1202	6180003590	COI SP0406-8R2K-6		
L1203	6180003510	COI SP0406-6R8K-6		
L1204	6150004521	S.COI LS-508-LF	T	119.0/46.2
L1205	6150004521	S.COI LS-508-LF	T	120.5/33.9
L1301	6200007170	S.COI MLF1608A 3R3K-T	T	75.0/48.4
L1302	6200002651	S.COI NLV25T-R18J	T	78.1/45.6
L1501	6200001981	S.COI NLV25T-1R0J	B	99.3/51.4
L1502	6200002631	S.COI NLV25T-R10J	T	94.4/51.4
L1503	6200002431	S.COI NLV25T-082J	T	90.2/50.6
L1701	6200003171	S.COI NLV32T-330J	T	130.0/78.9
L1702	6140002810	S.COI LR-317	T	131.5/27.4
L1703	6140002810	S.COI LR-317	T	131.5/40.6
L1901	6200001831	S.COI NLV32T-100J	B	78.2/25.4
L1902	6200011900	S.COI LQH43CN100K03L	B	76.6/29.2
L1903	6200002181	S.COI NLV25T-R12J	T	64.9/44.0
L1904	6200002641	S.COI NLV25T-R15J	T	68.0/46.2
L1905	6200002181	S.COI NLV25T-R12J	T	68.0/52.9
L1906	6200002641	S.COI NLV25T-R15J	T	65.2/59.2
L2101	6200005011	S.COI NLV25T-100J	T	60.9/78.7
L2102	6200011220	S.COI C2012C-R47J-A	T	65.3/72.1
L2103	6140002810	S.COI LR-317	T	70.9/71.3
L2160	6200010740	S.COI C2520C-R27G-A	T	47.8/71.8
L2161	6200010670	S.COI C2520C-R18G-A (0.18U)	T	47.8/68.6
L2162	6200010860	S.COI C2520C-R10G-A (0.1U)	T	53.2/60.0
L2163	6200010650	S.COI C2520C-R12G-A (0.12U)	T	47.7/57.1
L2164	6200010660	S.COI C2520C-R15G-A (0.15U)	T	47.8/65.4
L2181	6200008090	S.COI LQW2BHN68NJ03L	B	48.4/61.1
L2182	6200009970	S.COI C2012C-R39G-A	T	49.4/54.0
L2201	6130002961	S.COI #617DB-1327-P3	T	63.7/38.8
L2202	6130002961	S.COI #617DB-1327-P3	T	55.4/43.9
L2203	6130002961	S.COI #617DB-1327-P3	T	50.9/38.4
L2301	6200004961	S.COI NLV25T-R33J	T	39.0/46.3
L2302	6200005041	S.COI NLV25T-220J	T	41.3/55.1
L2303	6200004961	S.COI NLV25T-R33J	T	40.9/66.1
L2304	6200002611	S.COI NLV25T-R47J	T	41.3/69.5
L2305	6200003261	S.COI NLV32T-101J	T	41.7/51.6
R1	7030003320	S.RES ERJ3GEYJ 101 V (100)	B	60.7/22.0
R2	7030003520	S.RES ERJ3GEYJ 472 V (4.7K)	B	62.5/18.8
R3	7030003440	S.RES ERJ3GEYJ 102 V (1K)	B	60.7/20.2
R4	7030003560	S.RES ERJ3GEYJ 103 V (10K)	B	57.9/20.2
R5	7030003560	S.RES ERJ3GEYJ 103 V (10K)	B	61.6/15.1
R6	7030003800	S.RES ERJ3GEYJ 105 V (1M)	B	57.2/22.7
R7	7030003320	S.RES ERJ3GEYJ 101 V (100)	B	55.7/16.1
R8	7030003280	S.RES ERJ3GEYJ 470 V (47)	B	62.3/11.1
R9	7030003400	S.RES ERJ3GEYJ 471 V (47)	B	59.0/11.6
R10	7030003320	S.RES ERJ3GEYJ 101 V (100)	B	61.6/7.6
R11	7030003480	S.RES ERJ3GEYJ 222 V (2.2K)	B	65.6/3.6
R12	7030003460	S.RES ERJ3GEYJ 152 V (1.5K)	B	63.8/8.8
R13	7030003280	S.RES ERJ3GEYJ 470 V (47)	B	62.3/9.4
R14	7030003400	S.RES ERJ3GEYJ 471 V (47)	B	61.2/3.5
R20	7030003270	S.RES ERJ3GEYJ 390 V (39)	B	56.6/5.0
R21	7030003400	S.RES ERJ3GEYJ 471 V (47)	B	54.7/5.0
R44	7030003400	S.RES ERJ3GEYJ 471 V (47)	T	9.5/10.2
R71	7030003320	S.RES ERJ3GEYJ 101 V (100)	T	10.7/18.0
R101	7030003700	S.RES ERJ3GEYJ 154 V (150K)	T	8.2/35.4
R102	7030003620	S.RES ERJ3GEYJ 333 V (33K)	T	8.2/36.7
R104	7030003580	S.RES ERJ3GEYJ 153 V (15K)	T	8.6/40.7
R105	7030003700	S.RES ERJ3GEYJ 154 V (150K)	T	6.0/39.8
R106	7030003640	S.RES ERJ3GEYJ 473 V (47K)	T	7.3/40.7
R107	7030003560	S.RES ERJ3GEYJ 103 V (10K)	T	17.2/46.8
R108	7030003600	S.RES ERJ3GEYJ 223 V (22K)	T	17.7/49.1
R109	7030003400	S.RES ERJ3GEYJ 473 V (47K)	T	14.2/54.5
R110	7030003440	S.RES ERJ3GEYJ 102 V (1K)	T	4.0/48.1
R111	7030003750	S.RES ERJ3GEYJ 394 V (390K)	T	7.3/43.3
R112	7030003380	S.RES ERJ3GEYJ 331 V (330)	T	2.0/49.3
R113	7030003300	S.RES ERJ3GEYJ 680 V (68)	T	3.2/40.1
R114	7030003640	S.RES ERJ3GEYJ 473 V (47K)	T	19.3/

[SCOPE/TV UNIT]

REF NO.	PARTS NO.	DESCRIPTION	M.	H/V LOCATION
R409	7030003640	S.RES ERJ3GEYJ 473 V (47K)	T	76.8/16.6
R410	7030003640	S.RES ERJ3GEYJ 473 V (47K)	T	79.4/16.6
R411	7030003640	S.RES ERJ3GEYJ 473 V (47K)	T	82.0/16.6
R412	7030003640	S.RES ERJ3GEYJ 473 V (47K)	T	84.6/16.6
R413	7030003320	S.RES ERJ3GEYJ 101 V (100)	T	81.9/11.6
R418	7030003320	S.RES ERJ3GEYJ 101 V (100)	T	63.4/14.9
R419	7030003320	S.RES ERJ3GEYJ 101 V (100)	T	63.4/17.5
R420	7030003320	S.RES ERJ3GEYJ 101 V (100)	T	64.1/19.8
R441	7030003860	S.RES ERJ3GE JPW V	T	56.4/11.5
R451	7030003200	S.RES ERJ3GEYJ 100 V (10)	B	98.2/17.9
R501	7030003360	S.RES ERJ3GEYJ 221 V (220)	B	39.8/22.3
R502	7030003320	S.RES ERJ3GEYJ 101 V (100)	B	36.2/21.5
R503	7030003320	S.RES ERJ3GEYJ 101 V (100)	B	33.6/22.3
R504	7030003560	S.RES ERJ3GEYJ 103 V (10K)	T	45.4/27.0
R551	7030003360	S.RES ERJ3GEYJ 221 V (220)	B	39.6/16.4
R552	7030003320	S.RES ERJ3GEYJ 101 V (100)	B	36.2/15.9
R553	7030003320	S.RES ERJ3GEYJ 101 V (100)	B	32.5/15.9
R554	7030003560	S.RES ERJ3GEYJ 103 V (10K)	T	49.8/18.1
R601	7030003360	S.RES ERJ3GEYJ 221 V (220)	B	37.6/10.1
R602	7030003320	S.RES ERJ3GEYJ 101 V (100)	B	34.3/9.9
R603	7030003320	S.RES ERJ3GEYJ 101 V (100)	B	30.6/9.9
R604	7030003560	S.RES ERJ3GEYJ 103 V (10K)	T	48.4/8.9
R651	7030003360	S.RES ERJ3GEYJ 221 V (220)	B	36.4/4.1
R652	7030003320	S.RES ERJ3GEYJ 101 V (100)	B	32.8/4.1
R653	7030003320	S.RES ERJ3GEYJ 101 V (100)	B	29.3/4.1
R654	7030003560	S.RES ERJ3GEYJ 103 V (10K)	T	48.4/5.6
R1001	7030003320	S.RES ERJ3GEYJ 101 V (100)	T	76.5/81.2
R1002	7030003320	S.RES ERJ3GEYJ 101 V (100)	T	63.7/81.3
R1003	7030003350	S.RES ERJ3GEYJ 181 V (180)	B	69.3/78.9
R1004	7030003240	S.RES ERJ3GEYJ 220 V (22)	T	58.0/86.4
R1014	7030003440	S.RES ERJ3GEYJ 102 V (1K)	B	60.7/82.8
R1015	7030003500	S.RES ERJ3GEYJ 332 V (3.3K)	B	61.0/86.9
R1016	7030003530	S.RES ERJ3GEYJ 562 V (5.6K)	B	63.6/84.9
R1017	7030003320	S.RES ERJ3GEYJ 101 V (100)	T	60.7/87.6
R1018	7030003440	S.RES ERJ3GEYJ 102 V (1K)	T	62.5/85.1
R1019	7030003440	S.RES ERJ3GEYJ 102 V (1K)	B	67.6/82.5
R1020	7030003500	S.RES ERJ3GEYJ 332 V (3.3K)	B	67.9/86.3
R1021	7030003530	S.RES ERJ3GEYJ 562 V (5.6K)	B	70.6/84.4
R1022	7030003390	S.RES ERJ3GEYJ 391 V (390)	T	67.2/87.6
R1023	7030003440	S.RES ERJ3GEYJ 102 V (1K)	T	69.1/84.4
R1028	7030003370	S.RES ERJ3GEYJ 271 V (270)	T	85.7/66.3
R1029	7030003230	S.RES ERJ3GEYJ 180 V (18)	T	86.2/64.2
R1032	7030003370	S.RES ERJ3GEYJ 271 V (270)	T	87.7/64.2
R1034	7030003300	S.RES ERJ3GEYJ 680 V (68)	T	63.9/85.2
R1035	7030003290	S.RES ERJ3GEYJ 560 V (56)	T	70.3/84.4
R1051	7030003290	S.RES ERJ3GEYJ 560 V (56)	B	90.8/84.5
R1052	7030003500	S.RES ERJ3GEYJ 332 V (3.3K)	B	106.1/84.9
R1053	7030003440	S.RES ERJ3GEYJ 102 V (1K)	B	107.8/84.9
R1054	7030003860	S.RES ERJ3GE JPW V	T	102.6/81.4
R1056	7030003320	S.RES ERJ3GEYJ 101 V (100)	T	100.8/88.7
R1071	7030003320	S.RES ERJ3GEYJ 101 V (100)	T	58.6/81.1
R1101	7030003300	S.RES ERJ3GEYJ 680 V (68)	T	87.4/71.5
R1102	7030003300	S.RES ERJ3GEYJ 680 V (68)	T	87.3/69.1
R1103	7030003320	S.RES ERJ3GEYJ 101 V (100)	T	87.7/67.0
R1104	7030003320	S.RES ERJ3GEYJ 101 V (100)	T	94.0/66.3
R1105	7030003260	S.RES ERJ3GEYJ 330 V (33)	T	96.6/65.7
R1113	7030003370	S.RES ERJ3GEYJ 271 V (270)	T	107.1/72.6
R1114	7030003230	S.RES ERJ3GEYJ 180 V (18)	T	106.4/74.7
R1115	7030003370	S.RES ERJ3GEYJ 271 V (270)	T	107.1/76.8
R1209	7030003200	S.RES ERJ3GEYJ 100 V (10)	B	117.9/39.7
R1211	7030003480	S.RES ERJ3GEYJ 222 V (2.2K)	T	123.3/47.8
R1212	7030003200	S.RES ERJ3GEYJ 100 V (10)	B	123.6/38.2
R1213	7030003560	S.RES ERJ3GEYJ 103 V (10K)	T	119.0/40.6
R1214	7510001671	S.THR NTCG16 4BH 103JT	T	121.6/38.1
R1215	7030003370	S.RES ERJ3GEYJ 271 V (270)	T	118.0/29.3
R1216	7030003230	S.RES ERJ3GEYJ 180 V (18)	T	120.6/29.3
R1217	7030003370	S.RES ERJ3GEYJ 271 V (270)	T	120.6/28.0
R1301	7030003290	S.RES ERJ3GEYJ 560 V (56)	B	77.6/53.9
R1302	7030003460	S.RES ERJ3GEYJ 152 V (1.5K)	B	76.9/52.0
R1303	7030003290	S.RES ERJ3GEYJ 560 V (56)	B	78.5/52.0
R1304	7030003400	S.RES ERJ3GEYJ 471 V (470)	T	76.8/47.9
R1305	7030003400	S.RES ERJ3GEYJ 471 V (470)	T	75.7/46.5
R1310	7030003640	S.RES ERJ3GEYJ 473 V (47K)	T	79.1/43.0
R1313	7030003640	S.RES ERJ3GEYJ 473 V (47K)	T	78.8/51.4
R1314	7030003200	S.RES ERJ3GEYJ 100 V (10)	T	80.7/48.9
R1315	7030003370	S.RES ERJ3GEYJ 271 V (270)	T	78.8/48.6
R1316	7030003440	S.RES ERJ3GEYJ 102 V (1K)	B	75.8/43.3
R1317	7030003320	S.RES ERJ3GEYJ 101 V (100)	T	86.9/48.9
R1318	7030003450	S.RES ERJ3GEYJ 122 V (1.2K)	T	84.5/49.6
R1401	7030010250	S.RES ERJ1TYJ 0R00U	B	104.9/55.3
R1421	7030003510	S.RES ERJ3GEYJ 392 V (3.9K)	T	95.2/47.8
R1422	7030003290	S.RES ERJ3GEYJ 560 V (56)	T	96.6/45.3
R1423	7030003290	S.RES ERJ3GEYJ 560 V (56)	T	96.5/46.6
R1424	7030003290	S.RES ERJ3GEYJ 560 V (56)	T	100.1/39.7
R1425	7030003290	S.RES ERJ3GEYJ 560 V (56)	T	98.8/42.3
R1426	7030003440	S.RES ERJ3GEYJ 102 V (1K)	T	83.3/27.4
R1427	7030003640	S.RES ERJ3GEYJ 473 V (47K)	T	84.6/26.4
R1428	7030003440	S.RES ERJ3GEYJ 102 V (1K)	T	85.9/25.6
R1429	7030003440	S.RES ERJ3GEYJ 102 V (1K)	T	87.2/26.0
R1430	7030003440	S.RES ERJ3GEYJ 102 V (1K)	T	89.5/25.6
R1431	7030003440	S.RES ERJ3GEYJ 102 V (1K)	T	91.6/24.9
R1432	7030003640	S.RES ERJ3GEYJ 473 V (47K)	T	93.9/30.0
R1433	7030003440	S.RES ERJ3GEYJ 102 V (1K)	T	93.9/28.4
R1435	7030003640	S.RES ERJ3GEYJ 473 V (47K)	T	90.8/27.0
R1436	7030003640	S.RES ERJ3GEYJ 473 V (47K)	T	82.0/28.5
R1501	7030003200	S.RES ERJ3GEYJ 100 V (10)	B	103.7/50.0
R1504	7030003860	S.RES ERJ3GE JPW V	T	101.7/37.4
R1505	7030003860	S.RES ERJ3GE JPW V	B	85.2/51.9
R1507	7030003860	S.RES ERJ3GE JPW V	T	98.8/39.7
R1511	7030003370	S.RES ERJ3GEYJ 271 V (270)	T	103.3/50.9
R1512	7030003230	S.RES ERJ3GEYJ 180 V (18)	T	102.3/49.0
R1513	7030003370	S.RES ERJ3GEYJ 271 V (270)	T	101.9/50.9
R1601	7310004250	TRI EVN-D2AA03 B25	T	
R1602	7030003560	S.RES ERJ3GEYJ 103 V (10K)	T	131.0/70.3
R1603	7030003200	S.RES ERJ3GEYJ 100 V (10)	B	131.0/69.7

[SCOPE/TV UNIT]

REF NO.	PARTS NO.	DESCRIPTION	M.	H/V LOCATION
R1604	7030003560	S.RES ERJ3GEYJ 103 V (10K)	B	133.4/75.3
R1605	7030003200	S.RES ERJ3GEYJ 100 V (10)	T	139.3/61.6
R1606	7030003440	S.RES ERJ3GEYJ 102 V (1K)	T	129.3/55.0
R1608	7030003440	S.RES ERJ3GEYJ 102 V (1K)	T	134.3/62.5
R1609	7030003440	S.RES ERJ3GEYJ 102 V (1K)	T	137.4/60.6
R1610	7030003440	S.RES ERJ3GEYJ 102 V (1K)	T	135.1/64.4
R1611	7030003200	S.RES ERJ3GEYJ 100 V (10)	B	129.9/61.9
R1612	7030003200	S.RES ERJ3GEYJ 100 V (10)	B	138.5/54.0
R1614	7030003500	S.RES ERJ3GEYJ 332 V (3.3K)	T	130.0/67.6
R1616	7030003520	S.RES ERJ3GEYJ 472 V (4.7K)	T	131.8/68.3
R1617	7030003440	S.RES ERJ3GEYJ 102 V (1K)	T	135.1/65.6
R1702	7030003860	S.RES ERJ3GE JPW V	B	131.5/41.9
R1710	7030003320	S.RES ERJ3GEYJ 101 V (100)	B	133.4/42.6
R1802	7030003860	S.RES ERJ3GE JPW V	T	127.5/19.6
R1804	7030003860	S.RES ERJ3GE JPW V	T	123.5/15.4
R1805	7030003860	S.RES ERJ3GE JPW V	T	125.6/17.3
R1901	7030003370	S.RES ERJ3GEYJ 271 V (270)	T	59.8/44.5
R1902	7030003230	S.RES ERJ3GEYJ 180 V (18)	T	60.5/46.3
R1903	7030003370	S.RES ERJ3GEYJ 271 V (270)	T	61.3/44.5
R1904	7030003320	S.RES ERJ3GEYJ 101 V (100)	T	64.8/50.4
R1905	7030003200	S.RES ERJ3GEYJ 100 V (10)	T	64.8/53.9
R1906	7030003500	S.RES ERJ3GEYJ 332 V (3.3K)	B	65.5/54.9
R1907	7030003420	S.RES ERJ3GEYJ 681 V (680)	B	67.0/57.0
R1908	7030003220	S.RES ERJ3GEYJ 150 V (15)	T	68.6/61.6
R1909	7030003310	S.RES ERJ3GEYJ 820 V (82)	T	68.6/63.0
R1910	7030003260	S.RES ERJ3GEYJ 330 V (33)	T	65.9/63.0
R1911	7030003230	S.RES ERJ3GEYJ 180 V (18)	T	65.9/64.4
R1912	7030003230	S.RES ERJ3GEYJ 180 V (18)	T	63.3/63.0
R1913	7030003440	S.RES ERJ3GEYJ 102 V (1K)	T	68.3/49.8
R2001	7030003340	S.RES ERJ3GEYJ 151 V (150)	T	112.2/31.1
R2002	7030007860	S.RES ERJ3GEYJ 8R2V (8.2)	T	114.1/31.1
R2003	7030003570	S.RES ERJ3GEYJ 123 V (12K)	T	114.9/26.6
R2004	7030003360	S.RES ERJ3GEYJ 221 V (220)	T	115.0/24.3
R2005	7030003280	S.RES ERJ3GEYJ 470 V (47)	B	113.6/21.5
R2006	7030003200	S.RES ERJ3GEYJ 100 V (10)	T	116.2/24.3
R2007	7030007860	S.RES ERJ3GEYJ 8R2V (8.2)	T	113.0/33.9
R2008	7030003200	S.RES ERJ3GEYJ 100 V (10)	B	116.9/19.5
R2009	7030003860	S.RES ERJ3GE JPW V	T	120.6/14.8
R2011	7030003440	S.RES ERJ3GEYJ 102 V (1K)	T	111.6/18.7
R2012	7030003340	S.RES ERJ3GEYJ 151 V (150)	T	117.8/14.8
R2101	7030003320	S.RES ERJ3GEYJ 101 V (100)	B	72.2/72.9
R2102	7030003320	S.RES ERJ3GEYJ 101 V (100)	T	58.6/78.0
R2103	7030003350	S.RES ERJ3GEYJ 181 V (180)	B	68.5/67.8
R2104	7030003240	S.RES ERJ3GEYJ 220 V (22)	B	66.9/67.8
R2181	7030003480	S.RES ERJ3GEYJ 222 V (2.2K)	B	47.5/57.3
R2182	7030003440	S.RES ERJ3GEYJ 102 V (1K)	B	50.1/63.0
R2183	7030003200	S.RES ERJ3GEYJ 100 V (10)	B	52.8/58.3
R2184	7030003320	S.RES ERJ3GEYJ 101 V (100)	B	52.8/60.6
R2185	7030003280	S.RES ERJ3GEYJ 470 V (47)	B	45.6/53.0
R2186	7030003360	S.RES ERJ3GEYJ 221 V (220)	B	53.3/53.6
R2187	7030003860	S.RES ERJ3GE JPW V	B	54.9/53.6
R2201	7030003300	S.RES ERJ3GEYJ 680 V (68)	T	58.9/37.3
R2202	7030003300	S.RES ERJ3GEYJ 680 V (68)	T	58.9/40.9
R2203	7030003320	S.RES ERJ3GEYJ 101 V (100)	T	58.5/43.1
R2204	7030003320	S.RES ERJ3GEYJ 101 V (100)	T	52.3/43.6
R2205	7030003260	S.RES ERJ3GEYJ 330 V (33)	T	50.3/44.0
R2206	7030003370	S.RES ERJ3GEYJ 271 V (270)	T	45.3/40.1
R2207	7030003230	S.RES ERJ3GEYJ 180 V (18)	T	44.6/38.2
R2208	7030003370	S.RES ERJ3GEYJ 271 V (270)	T	43.8/40.0
R2302	7030003860	S.RES ERJ3GE JPW V	T	37.1/49.2
R2303	7030003320	S.RES ERJ3GEYJ 101 V (100)	T	35.3/49.9
R2304	7030003480	S.RES ERJ3GEYJ 222 V (2.2K)	T	37.2/56.8
R2305	7030003480	S.RES ERJ3GEYJ 222 V (2.2K)	T	39.0/56.3
R2306	7030003290	S.RES ERJ3GEYJ 560 V (56)	T	40.9/57.0
R2307	7030003320	S.RES ERJ3GEYJ 101 V (100)	T	37.2/64.6
R2308	7030003200	S.RES ERJ3GEYJ 100 V (10)	T	39.3/52.7
R2309	7030003370	S.RES ERJ3GEYJ 271 V (270)	T	37.2/69.8
R2310	7030003230	S.RES ERJ3GEYJ 180 V (18)	T	39.0/70.3
R2311	7030003370	S.RES ERJ3GEYJ 271 V (270)	T	37.2/71.1
C1	4030006900	S.CER C1608 JB 1H 103K-T	T	39.6/47.7
C2	4030006900	S.CER C1608 JB 1H 103K-T	B	62.5/17.2
C3	4030006900	S.CER C1608 JB 1H 103K-T	B	55.8/21.0
C4	4			

[SCOPE/TV UNIT]

REF NO.	PARTS NO.	DESCRIPTION	M.	H/V LOCATION
C208	4030006900	S.CER C1608 JB 1H 103K-T	B	29.7/57.7
C295	4030007110	S.CER C1608 CH 1H 680J-T	T	75.0/85.8
C296	4030011340	S.CER C1608 CH 1H 471J-T	T	73.9/84.7
C297	4030007070	S.CER C1608 CH 1H 330J-T	T	73.6/88.0
C298	4030007150	S.CER C1608 CH 1H 151J-T	B	74.5/87.7
C299	4030007110	S.CER C1608 CH 1H 680J-T	T	71.7/88.7
C303	4030018560	S.CER C2012 JB 1A 475K-T	T	2.1/67.9
C305	4550007410	S.TAN F931A157MNMBA	T	9.2/76.2
C401	4030006900	S.CER C1608 JB 1H 103K-T	T	65.1/16.2
C402	4030006900	S.CER C1608 JB 1H 103K-T	T	66.4/16.1
C403	4030006900	S.CER C1608 JB 1H 103K-T	T	67.7/16.1
C404	4030006900	S.CER C1608 JB 1H 103K-T	T	69.0/16.1
C405	4030006900	S.CER C1608 JB 1H 103K-T	T	70.3/16.1
C406	4030006900	S.CER C1608 JB 1H 103K-T	T	71.6/16.1
C407	4030007050	S.CER C1608 CH 1H 220J-T	T	72.9/16.1
C408	4030007050	S.CER C1608 CH 1H 220J-T	T	75.5/16.6
C409	4030007050	S.CER C1608 CH 1H 220J-T	T	78.1/16.6
C410	4030007050	S.CER C1608 CH 1H 220J-T	T	80.7/16.6
C411	4030007050	S.CER C1608 CH 1H 220J-T	T	83.3/16.6
C412	4030007050	S.CER C1608 CH 1H 220J-T	T	85.9/16.6
C413	4030007050	S.CER C1608 CH 1H 220J-T	T	87.2/16.6
C422	4030011600	S.CER C1608 JB 1E 104K-T	T	56.4/12.7
C451	4030011600	S.CER C1608 JB 1E 104K-T	T	96.0/21.4
C501	4030011600	S.CER C1608 JB 1E 104K-T	B	45.5/20.8
C502	4030011600	S.CER C1608 JB 1E 104K-T	B	35.2/23.9
C511	4030011600	S.CER C1608 JB 1E 104K-T	T	43.5/22.2
C512	4030007130	S.CER C1608 CH 1H 101J-T	B	44.2/23.8
C513	4030007130	S.CER C1608 CH 1H 101J-T	B	42.7/23.8
C514	4030010760	S.CER C1608 CH 1H 331J-T	B	41.1/23.8
C515	4030007030	S.CER C1608 CH 1H 150J-T	T	42.1/22.2
C516	4030007050	S.CER C1608 CH 1H 220J-T	T	40.8/22.2
C517	4030011770	S.CER C1608 CH 1H 060B-T	T	38.7/25.8
C518	4030009560	S.CER C1608 CH 1H R75B-T	T	38.7/24.5
C519	4030007010	S.CER C1608 CH 1H 100D-T	T	39.2/22.4
C520	4030007050	S.CER C1608 CH 1H 220J-T	T	37.9/22.3
C521	4030011770	S.CER C1608 CH 1H 060B-T	T	33.0/25.5
C522	4030009560	S.CER C1608 CH 1H R75B-T	T	33.0/24.3
C523	4030007030	S.CER C1608 CH 1H 150J-T	T	32.3/22.2
C524	4030007050	S.CER C1608 CH 1H 220J-T	T	30.8/22.2
C525	4030010760	S.CER C1608 CH 1H 331J-T	B	31.0/23.1
C526	4030007130	S.CER C1608 CH 1H 101J-T	B	29.4/23.1
C527	4030007130	S.CER C1608 CH 1H 101J-T	B	27.7/23.1
C528	4030011600	S.CER C1608 JB 1E 104K-T	T	28.5/21.7
C531	4030007160	S.CER C1608 CH 1H 181J-T	T	23.6/22.5
C532	4030011330	S.CER C1608 CH 1H 391J-T	B	22.0/24.0
C534	4030010760	S.CER C1608 CH 1H 331J-T	T	21.6/23.0
C536	4030007130	S.CER C1608 CH 1H 101J-T	B	18.5/21.6
C538	4030011280	S.CER C1608 CH 1H 271J-T	T	16.3/21.3
C551	4030011600	S.CER C1608 JB 1E 104K-T	B	45.7/14.9
C552	4030011600	S.CER C1608 JB 1E 104K-T	B	34.0/17.4
C561	4030011600	S.CER C1608 JB 1E 104K-T	T	43.1/16.0
C562	4030007050	S.CER C1608 CH 1H 220J-T	B	43.8/17.9
C563	4030011340	S.CER C1608 CH 1H 471J-T	B	42.5/17.9
C565	4030007040	S.CER C1608 CH 1H 180J-T	T	41.7/16.0
C566	4030007050	S.CER C1608 CH 1H 220J-T	T	40.4/16.0
C568	4030007000	S.CER C1608 CH 1H 090D-T	T	38.3/18.3
C569	4030007020	S.CER C1608 CH 1H 120J-T	T	38.9/16.1
C570	4030007050	S.CER C1608 CH 1H 220J-T	T	37.6/16.1
C572	4030007000	S.CER C1608 CH 1H 090D-T	T	32.7/18.0
C573	4030007040	S.CER C1608 CH 1H 180J-T	T	31.9/16.0
C574	4030007050	S.CER C1608 CH 1H 220J-T	T	30.6/16.0
C576	4030011340	S.CER C1608 CH 1H 471J-T	B	28.9/16.7
C577	4030007050	S.CER C1608 CH 1H 220J-T	B	27.3/16.7
C578	4030011600	S.CER C1608 JB 1E 104K-T	T	28.4/15.1
C581	4030007160	S.CER C1608 CH 1H 181J-T	T	23.4/16.1
C582	4030007140	S.CER C1608 CH 1H 121J-T	B	21.8/17.5
C583	4030007170	S.CER C1608 CH 1H 221J-T	B	21.8/16.1
C584	4030010760	S.CER C1608 CH 1H 331J-T	T	20.6/16.1
C586	4030007050	S.CER C1608 CH 1H 220J-T	B	18.2/15.8
C587	4030007110	S.CER C1608 CH 1H 680J-T	B	18.2/14.4
C588	4030011280	S.CER C1608 CH 1H 271J-T	T	16.1/15.7
C601	4030011600	S.CER C1608 JB 1E 104K-T	B	45.5/10.1
C602	4030011600	S.CER C1608 JB 1E 104K-T	B	32.1/11.4
C611	4030011600	S.CER C1608 JB 1E 104K-T	T	41.7/9.7
C612	4030007110	S.CER C1608 CH 1H 680J-T	B	41.8/11.6
C613	4030011330	S.CER C1608 CH 1H 391J-T	B	40.3/11.6
C615	4030009920	S.CER C1608 CH 1H 050B-T	T	40.2/9.8
C616	4030007070	S.CER C1608 CH 1H 330J-T	T	38.9/9.8
C618	4030007000	S.CER C1608 CH 1H 090D-T	T	36.7/11.8
C619	4030007010	S.CER C1608 CH 1H 100D-T	T	37.3/9.8
C620	4030007050	S.CER C1608 CH 1H 220J-T	T	36.0/9.8
C622	4030007000	S.CER C1608 CH 1H 090D-T	T	30.9/11.7
C623	4030009920	S.CER C1608 CH 1H 050B-T	T	30.2/9.7
C624	4030007070	S.CER C1608 CH 1H 330J-T	T	28.8/9.7
C626	4030011330	S.CER C1608 CH 1H 391J-T	B	27.0/10.6
C627	4030007110	S.CER C1608 CH 1H 680J-T	B	25.6/10.6
C628	4030011600	S.CER C1608 JB 1E 104K-T	T	26.5/9.4
C631	4030007150	S.CER C1608 CH 1H 151J-T	T	21.4/9.9
C632	4030007130	S.CER C1608 CH 1H 101J-T	B	19.8/11.3
C633	4030007170	S.CER C1608 CH 1H 221J-T	B	19.9/9.9
C634	4030007140	S.CER C1608 CH 1H 121J-T	T	19.9/9.9
C635	4030007160	S.CER C1608 CH 1H 181J-T	B	18.7/9.9
C636	4030007130	S.CER C1608 CH 1H 101J-T	B	15.9/9.7
C638	4030011280	S.CER C1608 CH 1H 271J-T	T	13.9/9.2
C651	4030011600	S.CER C1608 JB 1E 104K-T	B	44.2/4.1
C652	4030011600	S.CER C1608 JB 1E 104K-T	B	30.8/5.6
C661	4030011600	S.CER C1608 JB 1E 104K-T	T	40.4/3.5
C662	4030007080	S.CER C1608 CH 1H 390J-T	B	40.7/5.6
C663	4030011330	S.CER C1608 CH 1H 391J-T	B	39.3/5.6
C665	4030009550	S.CER C1608 CH 1H 2R5B-T	T	37.6/3.6
C666	4030007070	S.CER C1608 CH 1H 330J-T	T	38.9/3.6
C667	4030006980	S.CER C1608 CH 1H 070D-T	T	35.3/7.0
C668	4030009570	S.CER C1608 CH 1H 0R3B-T	T	35.3/8.8
C669	4030009350	S.CER C1608 CH 1H 3R5B-T	T	34.5/3.7
C670	4030007060	S.CER C1608 CH 1H 270J-T	T	35.8/3.7

[SCOPE/TV UNIT]

REF NO.	PARTS NO.	DESCRIPTION	M.	H/V LOCATION
C671	4030006980	S.CER C1608 CH 1H 070D-T	T	29.4/7.0
C672	4030009570	S.CER C1608 CH 1H 0R3B-T	T	29.4/5.6
C673	4030009550	S.CER C1608 CH 1H 2R5B-T	T	27.2/3.6
C674	4030007070	S.CER C1608 CH 1H 330J-T	T	28.6/3.6
C676	4030001330	S.CER C1608 CH 1H 391J-T	B	25.5/4.8
C677	4030007080	S.CER C1608 CH 1H 390J-T	B	24.0/4.8
C678	4030011600	S.CER C1608 JB 1E 104K-T	T	24.8/3.4
C681	4030007150	S.CER C1608 CH 1H 151J-T	T	19.6/3.8
C682	4030007070	S.CER C1608 CH 1H 330J-T	B	18.1/4.8
C683	4030011280	S.CER C1608 CH 1H 271J-T	B	18.1/3.4
C684	4030007110	S.CER C1608 CH 1H 680J-T	T	18.1/3.8
C685	4030007170	S.CER C1608 CH 1H 221J-T	T	16.8/3.8
C686	4030007030	S.CER C1608 CH 1H 150J-T	B	14.6/4.0
C687	4030007120	S.CER C1608 CH 1H 820J-T	B	14.6/2.6
C688	4030007170	S.CER C1608 CH 1H 221J-T	T	11.8/4.2
C1001	4030006900	S.CER C1608 JB 1H 103K-T	T	60.9/81.3
C1002	4030007000	S.CER C1608 CH 1H 090D-T	T	67.7/78.6
C1003	4030011600	S.CER C1608 JB 1E 104K-T	T	68.9/80.0
C1004	4030006900	S.CER C1608 JB 1H 103K-T	B	71.0/78.9
C1012	4030006860	S.CER C1608 JB 1H 102K-T	B	61.0/88.2
C1013	4030006860	S.CER C1608 JB 1H 102K-T	T	61.3/84.5
C1014	4030006860	S.CER C1608 JB 1H 102K-T	B	67.9/87.6
C1015	4030006860	S.CER C1608 JB 1H 102K-T	T	67.9/84.4
C1016	4030006900	S.CER C1608 JB 1H 103K-T	T	60.7/86.4
C1017	4030006900	S.CER C1608 JB 1H 103K-T	T	60.7/88.9
C1018	4030006900	S.CER C1608 JB 1H 103K-T	T	65.1/85.2
C1019	4030006900	S.CER C1608 JB 1H 103K-T	T	66.0/87.6
C1020	4030006900	S.CER C1608 JB 1H 103K-T	T	69.1/88.7
C1021	4030006900	S.CER C1608 JB 1H 103K-T	T	71.5/84.4
C1023	4030007060	S.CER C1608 CH 1H 270J-T	T	102.5/28.4
C1024	4030007000	S.CER C1608 CH 1H 090D-T	T	103.7/28.4
C1025	4030007120	S.CER C1608 CH 1H 820J-T	T	104.9/28.4
C1026	4030007050	S.CER C1608 CH 1H 220J-T	T	102.5/31.2
C1027	4030007150	S.CER C1608 CH 1H 151J-T	T	103.7/31.2
C1028	4030007060	S.CER C1608 CH 1H 270J-T	T	103.2/33.4
C1029	4030007080	S.CER C1608 CH 1H 390J-T	T	106.7/32.0
C1030	4030007150	S.CER C1608 CH 1H 151J-T	T	104.9/31.2
C1032	4030009920	S.CER C1608 CH 1H 050B-T	T	103.7/35.3
C1033	4030007110	S.CER C1608 CH 1H 680J-T	T	106.8/40.4
C1034	4030007040	S.CER C1608 CH 1H 180J-T	T	104.2/40.4
C1035	4030007100	S.CER C1608 CH 1H 560J-T	T	106.4/41.7
C1036	4030007070	S.CER C1608 CH 1H 330J-T	T	105.7/43.7
C1037	4030007100	S.CER C1608 CH 1H 560J-T	T	107.0/47.5
C1038	4030007100	S.CER C1608 CH 1H 560J-T	T	104.9/49.0
C1039	4030007060	S.CER C1608 CH 1H 270J-T	T	105.3/50.2
C1041	4030007100	S.CER C1608 CH 1H 560J-T	T	99.8/29.5
C1042	4030007060	S.CER C1608 CH 1H 270J-T	T	97.9/27.7
C1043	4030007070	S.CER C1608 CH 1H 330J-T	T	100.6/27.7
C1044	4030007090	S.CER C1608 CH 1H 470J-T	T	102.5/25.8
C1051	4030006900	S.CER C1608 JB 1H 103K-T	B	89.3/86.0
C1052	4030011600	S.CER C1608 JB 1E 104K-T	T	106.5/84.8
C1053	4030011600	S.CER C1608 JB 1E 104K-T	T	94.5/78.7
C1054	4030006900	S.CER C1608 JB 1H 103K-T	T	96.7/78.7
C1055	4030009920	S.CER C1608 CH 1H 050B-T	T	103.4/88.7
C1071	4030007030	S.CER C1608 CH 1H 150J-T	T	48.9/78.3
C1072	4030007080	S.CER C1608 CH 1H 390J-T	T	50.2/78.2
C1081	4030007100	S.CER C1608 CH 1H 560J-T	T	74.5/83.8
C1082	4030007030	S.CER C1608 CH 1H 150J-T	T	75.7/83.8
C1083	4030009560	S.CER C1608 CH 1H R75B-T	T	77.7/85.8
C1084	4030009920	S.CER C1608 CH 1H 050B-T	T	77.7/84.6
C1085	4030007110	S.CER C1608 CH 1H 680J-T	T	80.0/83.4
C1086	4030007060	S.CER C1608 CH 1H 270J-T	T	80.0/82.2
C1087	4030007000	S.CER C1608 CH 1H 090D-T	T	79.5/85.3
C1088	4030007010	S.CER C1608 CH 1H 100D-T	T	80.7/85.3
C1089	4030007110	S.CER C1608 CH 1H 680J-T	T	85.2/80.5
C1090	4030007010	S.CER C1608 CH 1H 100D-T	T	86.4/80.5
C1091	4030009550	S.CER C1608 CH 1H 2R5B-T	T	86.0/83.7
C1092	4030007070	S.CER C1608 CH 1H 330J-T	T	86.0/82.5
C1093	4030007100	S.CER C1608 CH 1H 560J-T	T	87.8/82.9
C1094	4030006980	S.CER C1608 CH 1		

[SCOPE/TV UNIT]

REF NO.	PARTS NO.	DESCRIPTION	M.	H/V LOCATION
C1315	4030011600	S.CER C1608 JB 1E 104K-T	B	79.7/50.2
C1316	4550006050	S.TAN TEESVA OJ 106M8R	B	78.7/46.3
C1422	4030011600	S.CER C1608 JB 1E 104K-T	T	90.8/48.0
C1423	4030006900	S.CER C1608 JB 1H 103K-T	T	93.2/46.3
C1424	4030011600	S.CER C1608 JB 1E 104K-T	T	94.4/46.0
C1425	4030011600	S.CER C1608 JB 1E 104K-T	T	80.3/30.5
C1426	4030011600	S.CER C1608 JB 1E 104K-T	T	95.9/42.9
C1427	4030011600	S.CER C1608 JB 1E 104K-T	T	97.2/41.5
C1428	4030011600	S.CER C1608 JB 1E 104K-T	T	97.9/33.7
C1429	4030011600	S.CER C1608 JB 1E 104K-T	T	95.6/31.7
C1430	4030011600	S.CER C1608 JB 1E 104K-T	T	92.1/28.3
C1501	4030006900	S.CER C1608 JB 1H 103K-T	T	100.8/47.8
C1502	4030006900	S.CER C1608 JB 1H 103K-T	T	99.3/52.0
C1503	4030006900	S.CER C1608 JB 1H 103K-T	T	95.8/49.5
C1504	4030007070	S.CER C1608 CH 1H 330J-T	T	96.6/51.6
C1505	4030006960	S.CER C1608 CH 1H 050C-T	T	92.9/49.5
C1506	4030007100	S.CER C1608 CH 1H 560J-T	T	92.1/51.5
C1507	4030007020	S.CER C1608 CH 1H 120J-T	T	88.3/51.3
C1508	4030007060	S.CER C1608 CH 1H 270J-T	T	85.5/51.9
C1602	4030009510	S.CER C1608 CH 1H 010B-T	T	136.4/75.3
C1603	4030011600	S.CER C1608 JB 1E 104K-T	T	131.8/72.6
C1604	4030011600	S.CER C1608 JB 1E 104K-T	T	138.7/66.8
C1605	4030007080	S.CER C1608 CH 1H 390J-T	T	130.9/51.6
C1606	4030019130	S.CER C2012 CH 1H 562J-T-SN	T	139.0/58.7
C1607	4030018620	S.CER C1608 CH 1H 222J-T	T	137.4/57.9
C1609	4030007130	S.CER C1608 CH 1H 101J-T	T	132.4/62.9
C1610	4030007110	S.CER C1608 CH 1H 680J-T	T	132.4/61.7
C1611	4030018630	S.CER C2012 CH 1H 472J-T	T	135.9/62.2
C1612	4030011600	S.CER C1608 JB 1E 104K-T	B	130.6/59.0
C1613	4030011600	S.CER C1608 JB 1E 104K-T	B	136.0/51.6
C1615	4030018590	S.CER C1608 CH 1H 122J-T	T	137.4/63.7
C1616	4030018580	S.CER C1608 CH 1H 821J-T	T	132.5/64.4
C1617	4030018610	S.CER C1608 CH 1H 182J-T	T	132.5/65.6
C1618	4030018960	S.CER C3216 JB 1C 106MT-N	B	133.4/73.4
C1619	4030018960	S.CER C3216 JB 1C 106MT-N	B	135.6/62.4
C1620	4030018960	S.CER C3216 JB 1C 106MT-N	B	131.4/57.3
C1621	4030018960	S.CER C3216 JB 1C 106MT-N	B	137.8/50.8
C1701	4030011600	S.CER C1608 JB 1E 104K-T	T	131.5/76.0
C1702	4030018620	S.CER C1608 CH 1H 222J-T	T	130.2/76.0
C1703	4030018640	S.CER C2012 CH 1H 103J-T	T	128.7/75.8
C1901	4550006050	S.TAN TEESVA OJ 106M8R	B	81.9/28.8
C1902	4550006050	S.TAN TEESVA OJ 106M8R	T	75.9/34.0
C1903	4030007110	S.CER C1608 CH 1H 680J-T	T	62.5/45.6
C1904	4030007050	S.CER C1608 CH 1H 220J-T	T	64.6/45.9
C1905	4030007140	S.CER C1608 CH 1H 121J-T	T	67.3/42.4
C1906	4030006980	S.CER C1608 CH 1H 070D-T	T	68.0/44.3
C1907	4030007120	S.CER C1608 CH 1H 820J-T	T	68.6/42.4
C1908	4030006900	S.CER C1608 JB 1H 103K-T	T	64.8/51.6
C1909	4030007070	S.CER C1608 CH 1H 330J-T	T	70.9/51.0
C1910	4030007100	S.CER C1608 CH 1H 560J-T	T	68.3/51.0
C1911	4030006900	S.CER C1608 JB 1H 103K-T	T	64.8/55.1
C1912	4030006900	S.CER C1608 JB 1H 103K-T	T	68.6/60.2
C2001	4030006900	S.CER C1608 JB 1H 103K-T	T	114.1/28.5
C2002	4030011600	S.CER C1608 JB 1E 104K-T	T	112.0/23.6
C2003	4550006250	S.TAN TEESVA 1A 106M8R	T	119.3/19.2
C2004	4030011600	S.CER C1608 JB 1E 104K-T	T	117.6/18.3
C2005	4550006250	S.TAN TEESVA 1A 106M8R	T	112.2/21.7
C2006	4030011600	S.CER C1608 JB 1E 104K-T	B	114.6/18.0
C2012	4030006900	S.CER C1608 JB 1H 103K-T	T	115.0/14.8
C2101	4030006900	S.CER C1608 JB 1H 103K-T	T	57.0/78.0
C2102	4030007000	S.CER C1608 CH 1H 090D-T	T	64.3/75.0
C2103	4030011600	S.CER C1608 JB 1E 104K-T	T	67.3/74.1
C2104	4030006900	S.CER C1608 JB 1H 103K-T	B	68.5/70.5
C2160	4030007110	S.CER C1608 CH 1H 680J-T	T	52.4/71.0
C2161	4030007090	S.CER C1608 CH 1H 470J-T	T	50.9/71.0
C2162	4030007080	S.CER C1608 CH 1H 390J-T	T	52.4/67.8
C2163	4030007130	S.CER C1608 CH 1H 101J-T	T	50.9/67.8
C2164	4030007060	S.CER C1608 CH 1H 270J-T	T	53.8/66.3
C2165	4030007080	S.CER C1608 CH 1H 390J-T	T	51.6/62.9
C2166	4030007050	S.CER C1608 CH 1H 220J-T	T	50.9/60.1
C2167	4030007120	S.CER C1608 CH 1H 820J-T	T	49.6/61.6
C2168	4030007000	S.CER C1608 CH 1H 090D-T	T	48.9/59.3
C2169	4030007100	S.CER C1608 CH 1H 560J-T	T	48.3/61.6
C2170	4030010760	S.CER C1608 CH 1H 331J-T	T	50.8/64.8
C2171	4030007080	S.CER C1608 CH 1H 390J-T	T	52.4/64.8
C2181	4030006900	S.CER C1608 JB 1H 103K-T	T	46.4/61.7
C2182	4030011600	S.CER C1608 JB 1E 104K-T	B	55.1/59.1
C2183	4030011600	S.CER C1608 JB 1E 104K-T	B	44.8/55.1
C2184	4030007040	S.CER C1608 CH 1H 180J-T	B	52.6/56.0
C2201	4030006900	S.CER C1608 JB 1H 103K-T	T	68.7/37.3
C2202	4030006900	S.CER C1608 JB 1H 103K-T	T	68.5/40.3
C2203	4030006900	S.CER C1608 JB 1H 103K-T	T	58.9/38.5
C2204	4030006900	S.CER C1608 JB 1H 103K-T	T	58.9/39.7
C2205	4030006900	S.CER C1608 JB 1H 103K-T	T	50.3/41.6
C2206	4030006860	S.CER C1608 JB 1H 102K-T	T	50.3/42.8
C2207	4030006900	S.CER C1608 JB 1H 103K-T	T	46.1/36.9
C2208	4030006900	S.CER C1608 JB 1H 103K-T	T	46.8/40.7
C2301	4030007170	S.CER C1608 CH 1H 221J-T	T	35.3/45.9
C2302	4030007130	S.CER C1608 CH 1H 101J-T	T	37.1/46.6
C2303	4030007170	S.CER C1608 CH 1H 221J-T	T	35.3/47.2
C2304	4030011600	S.CER C1608 JB 1E 104K-T	T	37.2/55.6
C2305	4030011600	S.CER C1608 JB 1E 104K-T	T	37.1/51.9
C2306	4030011600	S.CER C1608 JB 1E 104K-T	T	37.2/63.3
C2307	4030011600	S.CER C1608 JB 1E 104K-T	T	42.4/60.9
C2308	4030007170	S.CER C1608 CH 1H 221J-T	T	37.2/65.9
C2309	4030007140	S.CER C1608 CH 1H 121J-T	T	42.8/66.0
C2310	4030010760	S.CER C1608 CH 1H 331J-T	T	37.2/67.2
C2311	4030007090	S.CER C1608 CH 1H 470J-T	T	39.0/67.7
C2312	4030011280	S.CER C1608 CH 1H 271J-T	T	37.2/68.5
C2313	4030018560	S.CER C2012 JB 1A 475K-T	T	37.1/54.1
C2314	4030018560	S.CER C2012 JB 1A 475K-T	T	39.3/49.7
C2315	4510008500	S.ELE EEE1CA101WP	T	33.6/84.6
J301	6510018961	S.CON B2B-PH-SM4-TB(LF)(SN)	T	22.1/86.5

[SCOPE/TV UNIT]

REF NO.	PARTS NO.	DESCRIPTION	M.	H/V LOCATION
J401	6510020081	S.CON 52808-2071(2090)	T	71.0/5.5
J1001	6510007020	CON TMP-J01X-V6		
J1301	6510007020	CON TMP-J01X-V6		
J1601	6510018961	S.CON B2B-PH-SM4-TB(LF)(SN)	T	138.5/49.5
J2001	6510007020	CON TMP-J01X-V6		
J2301	6510007020	CON TMP-J01X-V6		
EP401	6910015970	S.BEA MMZ1608B 301CT-AS	T	65.1/11.6
EP402	6910015970	S.BEA MMZ1608B 301CT-AS	T	66.4/11.6
EP403	6910015970	S.BEA MMZ1608B 301CT-AS	T	67.7/11.6
EP404	6910015970	S.BEA MMZ1608B 301CT-AS	T	69.0/11.6
EP405	6910014730	S.BEA MPZ2012S331A-T	T	72.5/11.9
EP1101	6910015970	S.BEA MMZ1608B 301CT-AS	T	98.9/64.7
EP1301	6910015970	S.BEA MMZ1608B 301CT-AS	T	81.4/47.1
EP1501	6910015970	S.BEA MMZ1608B 301CT-AS	T	106.7/50.0
EP2001	6910015970	S.BEA MMZ1608B 301CT-AS	B	114.6/19.5
EP2002	6910015970	S.BEA MMZ1608B 301CT-AS	B	116.1/21.4
EP2201	6910015970	S.BEA MMZ1608B 301CT-AS	T	46.8/44.0

M.=Mounted side (T: Mounted on the Top side, B: Mounted on the Bottom side)
S.=Surface mount

[OSC UNIT]

REF NO.	PARTS NO.	DESCRIPTION	M.	H/V LOCATION
IC10	1180002610	S.REG BA12FP-E2	T	37.9/20.1
IC91	1190002001	S.IC AD5260BRUZ50 <FE>	T	26.9/12.1
IC92	1130005721	S.IC TC7W04F(TE12LF)	T	23.8/6.2
Q10	1590003940	S.TRA RN1105(TE85LF)	T	32.25/35.1
Q11	1590003940	S.TRA RN1105(TE85LF)	T	22.2/42.4
Q12	1590003940	S.TRA RN1105(TE85LF)	T	29.1/41.6
Q13	1590003940	S.TRA RN1105(TE85LF)	T	31.6/41.6
Q21	1530002060	S.TRA 2SC4081 T106 R	T	11.3/6.4
Q22	1530002601	S.TRA 2SC4215-O(TE85RF)	T	10.4/17.9
Q23	1590003940	S.TRA RN1105(TE85LF)	T	13.0/11.0
Q42	1530002601	S.TRA 2SC4215-O(TE85RF)	T	19.6/18.8
Q43	1590003940	S.TRA RN1105(TE85LF)	T	18.9/11.7
Q61	1530002060	S.TRA 2SC4081 T106 R	T	26.2/36.1
Q62	1530002060	S.TRA 2SC4081 T106 R	T	20.7/38.6
Q70	1530002060	S.TRA 2SC4081 T106 R	T	10.0/41.2
Q101	1530002700	S.TRA 2SC4097 T106Q	T	36.8/40.1
D10	1790001251	S.DIO MA2S1110GL	T	31.5/31.8
D11	1790001251	S.DIO MA2S1110GL	T	16.5/38.3
D71	1750000381	S.DIO 1SS312 (TE85LF)	T	29.9/35.0
D72	1750000381	S.DIO 1SS312 (TE85LF)	T	29.9/37.6
X1	6050012210	XTA CR-772.OCVXO-148A		
L20	6200005491	S.COI NLV32T-331J	T	127.0/56.5
L21	6200003261	S.COI NLV32T-101J	T	120.4/65.7
L22	6200003261	S.COI NLV32T-101J	T	8.0/14.7
L23	6200003041	S.COI NLV32T-R68J	T	6.9/20.4
L24	6200003051	S.COI NLV32T-R82J	T	6.3/23.8
L41	6200003261	S.COI NLV32T-101J	T	15.3/13.8
L42	6200003261	S.COI NLV32T-101J	T	14.7/17.2
L43	6200003041	S.COI NLV32T-R68J	T	15.4/22.4
L44	6200003051	S.COI NLV32T-R82J	T	18.8/24.3
L61	6150004170	COI LS-476		
L62	6150004170	COI LS-476		
R1	7030003440	S.RES ERJ3GEYJ 102 V (1K)	T	32.4/44.3
R2	7030003440	S.RES ERJ3GEYJ 102 V (1K)	T	29.8/44.3
R3	7030003440	S.RES ERJ3GEYJ 102 V (1K)	T	25.9/44.2
R11	7030003200	S.RES ERJ3GEYJ 100 V (10)	T	33.4/32.3
R12	7030003200	S.RES ERJ3GEYJ 100 V (10)	T	16.7/40.3
R13	7030003440	S.RES ERJ3GEYJ 102 V (1K)	T	16.9/11.6
R20	7030003240	S.RES ERJ3GEYJ 220 V (22)	T	11.4/1.9
R21	7030003560	S.RES ERJ3GEYJ 103 V (10K)	T	11.2/4.5
R22	7030003370	S.RES ERJ3GEYJ 271 V (270)	T	15.6/7.9
R23	7030004040	S.RES ERJ3GEYJ 4R7 V (4.7)	T	11.4/14.0
R24	7030003370	S.RES ERJ3GEYJ 271 V (270)	T	12.3/17.7
R25	7030003500	S.RES ERJ3GEYJ 332 V (3.3K)	T	10.1/14.2
R26	7030003480	S.RES ERJ3GEYJ 222 V (2.2K)	T	12.9/9.1
R27	7030003360	S.RES ERJ3GEYJ 221 V (220)	T	5.8/14.0
R28	7030003440	S.RES ERJ3GEYJ 102 V (1K)	T	10.3/12.0
R43	7030003240	S.RES ERJ3GEYJ 220 V (22)	T	19.8/14.2
R44	7030003370	S.RES ERJ3GEYJ 271 V (270)	T	20.8/18.7
R45	7030003500	S.RES ERJ3GEYJ 332 V (3.3K)	T	17.9/15.2
R46	7030003480	S.RES ERJ3GEYJ 222 V (2.2K)	T	19.5/9.8
R47	7030003290	S.RES ERJ3GEYJ 560 V (56)	T	16.9/17.9
R61	7030003240	S.RES ERJ3GEYJ 220 V (22)	T	22.3/35.4
R62	7030003560	S.RES ERJ3GEYJ 103 V (10K)	T	26.3/34.2
R63	7030003380	S.RES ERJ3GEYJ 331 V (330)	T	26.0/38.0
R64	7030003280	S.RES ERJ3GEYJ 470 V (47)	T	20.8/40.5
R65	7030003400	S.RES ERJ3GEYJ 471 V (470)	T	20.0/34.9
R67	7030003560	S.RES ERJ3GEYJ 103 V (10K)	T	19.7/36.7
R68	7030003550	S.RES ERJ3GEYJ 822 V (8.2K)	T	22.3/36.7
R71	7030003340	S.RES ERJ3GEYJ 151 V (150)	T	32.7/38.3
R72	7030003270	S.RES ERJ3GEYJ 390 V (39)	T	31.2/39.6
R73	7030003340	S.RES ERJ3GEYJ 151 V (150)	T	28.6/39.5
R75	7030003280	S.RES ERJ3GEYJ 470 V (47)	T	16.3/43.1
R77	7030003320	S.RES ERJ3GEYJ 101 V (100)	T	12.6/44.7
R78	7030003470	S.RES ERJ3GEYJ 182 V (1.8K)	T	8.0/41.1
R79	7030003480	S.RES ERJ3GEYJ 222 V (2.2K)	T	6.2/41.6
R80	7030003360	S.RES ERJ3GEYJ 221 V (220)	T	11.9/41.1
R82	7030003280	S.RES ERJ3GEYJ 470 V (47)	T	17.6/43.1
R91	7030006091	S.RES ERA3YED 822V (8.2K)	T	19.6/7.2
R92	7030005341	S.RES ERA3YED 332V (3.3K)	T	19.6/8.5
R93	7030003560	S.RES ERJ3GEYJ 103 V (10K)	T	25.6/1.5
R94	7030003540	S.RES ERJ3GEYJ 682 V (6.8K)	T	25.6/2.8
R95	7030003320	S.RES ERJ3GEYJ 101 V (100)	T	22.5/16.7
R96	7030003440	S.RES ERJ3GEYJ 102 V (1K)	T	32.0/14.2
R97	7030003440	S.RES ERJ3GEYJ 102 V (1K)	T	28.7/16.2
R98	7030003640	S.RES ERJ3GEYJ 473 V (47K)	T	27.4/16.2
R99	7030003480	S.RES ERJ3GEYJ 222 V (2.2K)	T	22.5/10.1
R100	7030003640	S.RES ERJ3GEYJ 473 V (47K)	T	27.2/6.5
R101	7030003360	S.RES ERJ3GEYJ 221 V (220)	T	36.9/38.2
R102	7030005981	S.RES ERA3YED 333V (33K)	T	32.4/6.8
C1	4030006880	S.CER C1608 JB 1H 472K-T	T	29.2/56.9
C2	4030006880	S.CER C1608 JB 1H 472K-T	T	31.1/44.3
C3	4030006880	S.CER C1608 JB 1H 472K-T	T	33.7/44.1
C4	4030006880	S.CER C1608 JB 1H 472K-T	T	30.6/8.7
C5	4510008550	S.ELE EEE1HA010SR	T	30.6/2.6
C6	4030006880	S.CER C1608 JB 1H 472K-T	T	35.1/3.4
C7	4510008550	S.ELE EEE1HA010SR	T	38.8/2.7
C8	4030011600	S.CER C1608 JB 1E 104K-T	T	17.3/2.1
C9	4030006880	S.CER C1608 JB 1H 472K-T	T	27.2/43.2
C10	4510008680	S.ELE EEE1EA220SP	T	29.8/21.4
C11	4030004760	S.CER C2012 JF 1H 104Z-T	T	35.9/13.1
C12	4030006880	S.CER C1608 JB 1H 472K-T	T	39.3/12.8
C13	4510008680	S.ELE EEE1EA220SP	T	37.2/8.6

[OSC UNIT]

REF NO.	PARTS NO.	DESCRIPTION	M.	H/V LOCATION
C14	4030006880	S.CER C1608 JB 1H 472K-T	T	94.8/34.0
C15	4030011600	S.CER C1608 JB 1E 104K-T	T	39.3/14.1
C16	4030011600	S.CER C1608 JB 1E 104K-T	T	29.6/32.3
C17	4030011600	S.CER C1608 JB 1E 104K-T	T	19.4/41.8
C18	4030011600	S.CER C1608 JB 1E 104K-T	T	17.8/38.3
C19	4030011600	S.CER C1608 JB 1E 104K-T	T	31.5/33.1
C20	4030011600	S.CER C1608 JB 1E 104K-T	T	13.4/5.2
C21	4030011600	S.CER C1608 JB 1E 104K-T	T	11.4/3.2
C22	4030011600	S.CER C1608 JB 1E 104K-T	T	15.0/11.1
C23	4030011600	S.CER C1608 JB 1E 104K-T	T	12.0/15.9
C24	4030011600	S.CER C1608 JB 1E 104K-T	T	12.7/14.0
C25	4030011600	S.CER C1608 JB 1E 104K-T	T	10.3/19.9
C26	4030017800	S.CER C1608 CH 1H 561J-T	T	10.3/21.2
C27	4030007120	S.CER C1608 CH 1H 820J-T	T	7.8/18.2
C28	4030011340	S.CER C1608 CH 1H 471J-T	T	9.0/22.5
C29	4030011330	S.CER C1608 CH 1H 391J-T	T	10.3/23.8
C30	4030007050	S.CER C1608 CH 1H 220J-T	T	8.4/24.5
C31	4030017800	S.CER C1608 CH 1H 561J-T	T	10.3/25.1
C32	4030011600	S.CER C1608 JB 1E 104K-T	T	10.8/9.2
C33	4030011600	S.CER C1608 JB 1E 104K-T	T	9.5/10.1
C42	4030011600	S.CER C1608 JB 1E 104K-T	T	21.6/12.7
C43	4030011600	S.CER C1608 JB 1E 104K-T	T	20.1/16.8
C44	4030011600	S.CER C1608 JB 1E 104K-T	T	20.0/15.5
C45	4030011600	S.CER C1608 JB 1E 104K-T	T	13.2/20.6
C46	4030017800	S.CER C1608 CH 1H 561J-T	T	15.1/19.8
C47	4030007120	S.CER C1608 CH 1H 820J-T	T	13.2/23.2
C48	4030011340	S.CER C1608 CH 1H 471J-T	T	17.5/21.6
C49	4030011330	S.CER C1608 CH 1H 391J-T	T	18.8/21.6
C50	4030007050	S.CER C1608 CH 1H 220J-T	T	20.7/22.1
C51	4030017800	S.CER C1608 CH 1H 561J-T	T	21.7/24.4
C52	4030011600	S.CER C1608 JB 1E 104K-T	T	17.6/8.9
C53	4030011600	S.CER C1608 JB 1E 104K-T	T	16.3/9.8
C61	4030011600	S.CER C1608 JB 1E 104K-T	T	26.3/32.9
C62	4030011600	S.CER C1608 JB 1E 104K-T	T	24.1/36.2
C63	4030011600	S.CER C1608 JB 1E 104K-T	T	26.0/39.3
C64	4030011600	S.CER C1608 JB 1E 104K-T	T	22.8/34.1
C66	4030007010	S.CER C1608 CH 1H 100D-T	T	12.9/25.1
C67	4030011600	S.CER C1608 JB 1E 104K-T	T	17.1/35.4
C71	4030006880	S.CER C1608 JB 1H 472K-T	T	33.8/39.6
C72	4030006880	S.CER C1608 JB 1H 472K-T	T	14.4/45.4
C73	4030006880	S.CER C1608 JB 1H 472K-T	T	6.2/40.3
C74	4030006880	S.CER C1608 JB 1H 472K-T	T	10.0/43.2
C75	4030006880	S.CER C1608 JB 1H 472K-T	T	13.2/41.0
C76	4030006880	S.CER C1608 JB 1H 472K-T	T	19.4/45.4
C77	4030011600	S.CER C1608 JB 1E 104K-T	T	10.7/44.7
C91	4030006880	S.CER C1608 JB 1H 472K-T	T	25.5/16.5
C92	4030006880	S.CER C1608 JB 1H 472K-T	T	17.3/4.7
C93	4030006880	S.CER C1608 JB 1H 472K-T	T	22.2/2.8
C94	4030006880	S.CER C1608 JB 1H 472K-T	T	28.0/8.7
C101	4550006480	S.TAN TEESVA 1C 475M8R	T	40.1/38.9
RL10	6330001750	REL FTR-B4CA012Z		
RL11	6330001750	REL FTR-B4CA012Z		
J2	6510019971	S.CON 52808-1071	T	30.6/48.8
J71	6510007020	CON TMP-J01X-V6		
J72	6510007020	CON TMP-J01X-V6		
J73	6510007020	CON TMP-J01X-V6		
EP2	6910014730	S.BEA MPZ2012S331A-T	T	38.9/43.7
EP3	6910014730	S.BEA MPZ2012S331A-T	T	35.9/43.7
EP10	6910014730	S.BEA MPZ2012S331A-T	T	94.8/30.1
EP91	6910014730	S.BEA MPZ2012S331A-T	T	23.7/19.7
EP92	6910014730	S.BEA MPZ2012S331A-T	T	19.3/4.5

M.=Mounted side (T: Mounted on the Top side, B: Mounted on the Bottom side)
S.=Surface mount

[DC-DC UNIT]

REF NO.	PARTS NO.	DESCRIPTION	M.	H/V LOCATION
IC1	1190002450	S.IC BD9851EFV-E2	T	37.8/69.7
IC21	1190002450	S.IC BD9851EFV-E2	T	85.5/69.7
IC41	1190002450	S.IC BD9851EFV-E2	T	37.8/26.6
IC151	1110002700	S.IC NJM2904M-TE1-#FMZB	T	162.5/60.0
Q1	1550000120	S.FET SSM3J112TU(TE85L)	T	28.6/66.8
Q2	1550000120	S.FET SSM3J112TU(TE85L)	T	28.6/64.1
Q11	1550000120	S.FET SSM3J112TU(TE85L)	T	42.5/65.1
Q12	1550000120	S.FET SSM3J112TU(TE85L)	T	42.5/62.4
Q21	1550000120	S.FET SSM3J112TU(TE85L)	T	75.0/67.1
Q31	1560001330	S.FET RSR025N03	T	86.6/62.9
Q41	1550000120	S.FET SSM3J112TU(TE85L)	T	28.6/21.0
Q42	1550000120	S.FET SSM3J112TU(TE85L)	T	28.6/23.7
Q51	1550000120	S.FET SSM3J112TU(TE85L)	T	42.5/22.0
Q52	1550000120	S.FET SSM3J112TU(TE85L)	T	42.5/19.3
Q101	1560001260	S.FET 2SK3018 T106	T	156.2/61.6
Q102	1590001870	S.TRA DTA114EE TL	T	156.2/57.4
Q111	1520000460	S.TRA 2SB1132 T100 R	T	154.9/45.8
Q112	1530002060	S.TRA 2SC4081 T106 R	T	158.7/48.3
D1	1750000960	S.DIO RB081L-20	T	31.4/61.2
D2	1750000880	S.DIO RB551V-30TE-17	T	30.9/69.8
D11	1750000960	S.DIO RB081L-20	T	38.2/59.9
D12	1750000880	S.DIO RB551V-30TE-17	T	42.7/68.1
D21	1790001450	S.DIO RB160L-40 TE-25	T	71.8/65.1
D31	1790001450	S.DIO RB160L-40 TE-25	T	97.0/62.7
D41	1750000960	S.DIO RB081L-20	T	31.4/41.8
D42	1750000880	S.DIO RB551V-30TE-17	T	30.9/26.7
D51	1750000960	S.DIO RB081L-20	T	38.2/16.8
D52	1750000880	S.DIO RB551V-30TE-17	T	42.7/25.0
D101	1750000550	S.DIO 1SS355 TE-17	T	154.0/61.8
D102	1750000550	S.DIO 1SS355 TE-17	T	154.2/55.8
D111	1730002281	S.ZEN MA28091GML	T	162.1/49.8
D121	1790000700	DIO DSA3A1	T	
D122	1790000700	DIO DSA3A1	T	
D151	1750000550	S.DIO 1SS355 TE-17	T	161.6/54.2
FI121	4580000221	S.FIL ACM1211-701-2PL-01-TL	T	151.1/26.4
L1	6200012250	S.COI SLF7045T-3R3M2R5-PF 3.3U	B	55.2/88.8
L2	6200011300	S.COI EXCML16A270U	T	27.4/61.5
L11	6200012250	S.COI SLF7045T-3R3M2R5-PF 3.3U	T	48.1/60.2
L12	6200011300	S.COI EXCML16A270U	T	42.9/60.3
L21	6180003501	S.COI SLF6028T-100M1R3-PF	B	61.7/88.8
L22	6200011300	S.COI EXCML16A270U	T	31.2/37.3
L23	6200011300	S.COI EXCML16A270U	T	36.8/29.9
L31	6200012240	S.COI SLF6028T-330MR69-PF 33U	T	92.2/62.45
L32	6200011300	S.COI EXCML16A270U	T	111.0/72.8
L33	6200011300	S.COI EXCML16A270U	T	88.3/65.0
L41	6200012250	S.COI SLF7045T-3R3M2R5-PF 3.3U	B	68.2/88.8
L42	6200011300	S.COI EXCML16A270U	T	39.5/12.9
L51	6200012250	S.COI SLF7045T-3R3M2R5-PF 3.3U	T	48.05/17.1
L52	6200011300	S.COI EXCML16A270U	T	42.9/17.2
L91	6200010881	S.COI CDRH124NP-330MCI	T	56.1/72.8
L92	6200010881	S.COI CDRH124NP-330MCI	T	103.8/72.8
L93	6200010881	S.COI CDRH124NP-330MCI	T	56.1/29.7
R1	7030006101	S.RES ERA3YED 183V (18K)	T	24.3/70.0
R2	7030006091	S.RES ERA3YED 822V (8.2K)	T	24.3/71.3
R3	7030005321	S.RES ERA3YED 103V (10K)	T	24.3/72.6
R4	7030003440	S.RES ERJ3GEYJ 102 V (1K)	T	27.1/68.7
R5	7030003480	S.RES ERJ3GEYJ 222 V (2.2K)	T	31.5/72.1
R6	7030003760	S.RES ERJ3GEYJ 474 V (470K)	T	28.9/72.1
R8	7030005451	S.RES ERA3YED 153V (15K)	T	29.7/74.0
R9	7030005321	S.RES ERA3YED 103V (10K)	T	31.6/74.7
R10	7030003600	S.RES ERJ3GEYJ 223 V (22K)	T	34.2/74.7
R11	7030005691	S.RES ERA3YED 123V (12K)	T	46.3/70.5
R12	7030005691	S.RES ERA3YED 123V (12K)	T	47.8/69.2
R13	7030005321	S.RES ERA3YED 103V (10K)	T	45.5/72.5
R14	7030003440	S.RES ERJ3GEYJ 102 V (1K)	T	48.1/72.5
R15	7030003480	S.RES ERJ3GEYJ 222 V (2.2K)	T	45.5/68.4
R16	7030003760	S.RES ERJ3GEYJ 474 V (470K)	T	45.8/65.8
R17	7510001671	S.THR NTCG16 4BH 103JT	T	37.4/73.9
R18	7030006601	S.RES ERA3YED 272V (2.7K)	T	37.4/75.3
R21	7030005691	S.RES ERA3YED 123V (12K)	T	73.8/75.2
R22	7030007230	S.RES ERA3YED 102V (1K)	T	76.4/74.4
R23	7030006461	S.RES ERA3YED 152V (1.5K)	T	

[CONNECT-A UNIT]

REF NO.	PARTS NO.	DESCRIPTION	M.	H/V LOCATION
IC1	1120003040	S.IC ADM3202ARNZ <FE>	T	172.3/26.1
IC2	1130005721	S.IC TC7W04F(TE12LF)	T	155.8/28.2
IC3	1130005252	S.IC TC74HC08AF(ELF)	T	155.8/16.4
Q1	1510000510	S.TRA 2SA1576A T106R	T	150.2/26.4
Q2	1530002280	S.TRA 2SC4081 T106 S	T	144.2/20.9
D1	1750000550	S.DIO 1SS355 TE-17	T	144.3/24.3
L301	6200003191	S.COI NLV32T-470J	T	87.0/34.4
L401	6200003241	S.COI NLV32T-221J	T	90.3/14.5
R1	7030003860	S.RES ERJ3GE JPW V	T	176.3/35.0
R2	7030003860	S.RES ERJ3GE JPW V	T	172.0/35.0
R3	7030003860	S.RES ERJ3GE JPW V	T	172.0/33.6
R4	7030003860	S.RES ERJ3GE JPW V	T	191.3/36.0
R6	7030003640	S.RES ERJ3GEYJ 473 V (47K)	T	155.7/31.7
R7	7030003640	S.RES ERJ3GEYJ 473 V (47K)	T	148.2/11.7
R8	7030003560	S.RES ERJ3GEYJ 103 V (10K)	T	150.1/24.3
R9	7030003590	S.RES ERJ3GEYJ 183 V (18K)	T	147.4/24.3
R10	7030003590	S.RES ERJ3GEYJ 183 V (18K)	T	148.8/20.2
R11	7030003640	S.RES ERJ3GEYJ 473 V (47K)	T	148.2/14.1
R12	7030003640	S.RES ERJ3GEYJ 473 V (47K)	T	148.2/12.9
R201	7030003350	S.RES ERJ3GEYJ 181 V (180)	T	110.5/34.0
R202	7030003350	S.RES ERJ3GEYJ 181 V (180)	T	99.4/34.0
R301	7030003320	S.RES ERJ3GEYJ 101 V (100)	T	90.3/39.1
R401	7030003360	S.RES ERJ3GEYJ 221 V (220)	T	122.8/8.0
R402	7030003360	S.RES ERJ3GEYJ 221 V (220)	T	122.8/6.5
R403	7030003360	S.RES ERJ3GEYJ 221 V (220)	T	122.8/9.5
R404	7030003360	S.RES ERJ3GEYJ 221 V (220)	T	122.8/11.0
R601	7030003860	S.RES ERJ3GE JPW V	T	70.2/36.5
R602	7030003860	S.RES ERJ3GE JPW V	T	68.1/36.5
C1	4030017490	S.CER C1608 JB 1A 105K-T	B	89.1/63.1
C2	4030017490	S.CER C1608 JB 1A 105K-T	T	172.3/31.0
C3	4030017490	S.CER C1608 JB 1A 105K-T	T	168.9/31.0
C4	4030017490	S.CER C1608 JB 1A 105K-T	T	178.7/26.1
C6	4030017490	S.CER C1608 JB 1A 105K-T	T	176.3/21.4
C7	4030011600	S.CER C1608 JB 1E 104K-T	T	155.8/24.6
C8	4030011600	S.CER C1608 JB 1E 104K-T	T	156.0/10.0
C301	4030011600	S.CER C1608 JB 1E 104K-T	T	87.8/38.0
C401	4030011600	S.CER C1608 JB 1E 104K-T	T	93.8/14.5
J1	6510023671	CON TCS4480-0141577		
J2	6510023720	CON LGY6501-0600C		
J3	6510023120	CON CD6109SA1J0 <CVI>		
J4	6510018961	S.CON B2B-PH-SM4-TB(LF)(SN)	T	216.8/18.2
J101	6450001941	CON KEY-15S-2A3A(LF)(SN)		
J201	6510024040	CON TM11R-SM2-88-LP		
J202	6510020251	S.CON B9B-PH-SM4-TB(LF)(SN)	T	104.2/26.0
J301	6510025640	CON JFJ3004-010010		
J401	6510021722	S.CON 30FLT-SM2-TB(LF)(SN)(M)	T	100.3/10.1
J501	6510026930	S.CON 31-5620-050-729-871+	T	34.5/14.6
J502	6510024151	S.CON 50FY-BMT-TB(LF)(SN)	T	34.5/4.3
J602	6510024033	CON UBA-4R-D14T-4D (LF)(SN)		
J603	6510024522	S.CON 12FLT-SM2-TB(LF)(SN)(M)	T	54.3/6.0
DS201	5040002930	S.LED SML-512MW T86	T	110.5/36.2
DS202	5040002930	S.LED SML-512MW T86	T	99.4/36.2
EP1	6910012350	S.BEA MMZ1608Y 102BT	T	194.8/33.5
EP2	6910012350	S.BEA MMZ1608Y 102BT	T	192.0/33.5
EP3	0800011100	E.O TS512MCFX8192SI		
EP607	6910014730	S.BEA MPZ2012S331A-T	T	72.7/36.5
EP611	6910014730	S.BEA MPZ2012S331A-T	T	65.7/36.5

M.=Mounted side (T: Mounted on the Top side, B: Mounted on the Bottom side) S.=Surface mount

[CONNECT-A UNIT]

REF NO.	PARTS NO.	DESCRIPTION	M.	H/V LOCATION	
F1	521000131	FUS FGB 4A PBF (FGB0 125V) [USA]			
	5210001030	FUS 0234002.MXP [FRA]			
	5210001030	FUS 0234002.MXP [EUR]			
	5210001030	FUS 0234002.MXP [UK]			
	5210000131	FUS FGB 4A PBF (FGB0 125V) [USA-01]			
	5210001030	FUS 0234002.MXP [EXP]			
	5210001030	FUS 0234002.MXP [AUS]			
	5210001030	FUS 0234002.MXP [CHN]			
	F2	5220000380	HOL F-400-01A1 [USA]		
		5220000390	HOL F-400-01A2 [FRA]		
5220000390		HOL F-400-01A2 [EUR]			
5220000390		HOL F-400-01A2 [UK]			
5220000380		HOL F-400-01A1 [USA-01]			
5220000390		HOL F-400-01A2 [EXP]			
5220000390		HOL F-400-01A2 [AUS]			
5220000390		HOL F-400-01A2 [CHN]			
MF1		2710000810	FAN FD124010HB-1N7(120) <USE>		
W1		8900015620	CAB OPC-1592		
W2	8900015680	CAB OPC-1598 [USA]			
	8900015681	CAB OPC-1598A [FRA]			
	8900015681	CAB OPC-1598A [EUR]			
	8900015681	CAB OPC-1598A [UK]			
	8900015680	CAB OPC-1598 [USA-01]			
	8900015680	CAB OPC-1598 [EXP]			
	8900015681	CAB OPC-1598A [AUS]			
	8900015681	CAB OPC-1598A [CHN]			
	W3	8900015690	CAB OPC-1600		
	W4	8900015700	CAB OPC-1602		
EP1	6910016800	UNI PBA150F-15			
EP2	6910017300	E.O ZUG2206-11S			

[CONNECT-B UNIT]

REF NO.	PARTS NO.	DESCRIPTION	M.	H/V LOCATION
IC11	1110003091	IC LA4425A-E		
IC21	1110006300	S.IC NJM2172V-TE1-#ZZZB	T	182.2/6.4
IC41	1110005610	S.IC NJM2058V-TE1-#ZZZB	T	145.4/9.2
IC81	1110002810	S.IC NJM2070M-TE1-#ZZZB	T	115.9/8.3
IC91	1120002830	S.IC NJM2125F-TE1-#FZZB	T	123.4/14.5
IC121	1110005731	S.IC S-80928CNMC-G8Y-G	T	67.4/15.3
Q1	1590003940	S.TRA RN1105(TE85LF)	B	204.4/19.7
Q11	1540000471	S.TRA 2SD1801S-TL-E	B	209.2/15.7
Q21	1560001330	S.FET RSR025N03	B	194.7/19.2
Q22	1560001330	S.FET RSR025N03	B	151.6/8.5
Q91	1550000011	S.FET 2SJ0364GQL	T	127.7/10.2
Q121	1590003940	S.TRA RN1105(TE85LF)	T	69.9/22.0
Q151	1590003940	S.TRA RN1105(TE85LF)	T	110.7/32.6
Q161	1590001870	S.TRA DTA114EE TL	T	114.3/35.0
Q162	1590003940	S.TRA RN1105(TE85LF)	B	104.2/32.1
Q171	1530002060	S.TRA 2SC4081 T106 R	B	116.6/22.4
Q181	1130009930	TRA 2SB1274R		
Q182	1510000771	S.TRA 2SA1586-GR(TE85LF)	T	150.2/33.4
Q401	1590003940	S.TRA RN1105(TE85LF)	T	100.3/31.6
Q501	1530002060	S.TRA 2SC4081 T106 R	T	68.2/30.4
D1	1750000550	S.DIO 1SS355 TE-17	B	205.2/24.8
D91	1750000550	S.DIO 1SS355 TE-17	T	126.8/15.1
D111	1750000550	S.DIO 1SS355 TE-17	B	165.5/30.4
D112	1790000951	S.ZEN MAZ8056GML	B	162.4/31.0
D121	1750000550	S.DIO 1SS355 TE-17	T	73.1/20.3
D161	1160000070	S.DIO DAN202K T146	T	110.7/35.6
D171	1750000550	S.DIO 1SS355 TE-17	B	122.8/26.6
D401	1750000550	S.DIO 1SS355 TE-17	B	98.1/31.8
L21	6200003261	S.COI NLV32T-101J	T	78.2/60.5
L81	6200003261	S.COI NLV32T-101J	T	120.3/9.0
L111	6200003261	S.COI NLV32T-101J	T	170.9/29.9
L113	6200003261	S.COI NLV32T-101J	T	167.9/30.0
L114	6200003261	S.COI NLV32T-101J	T	176.3/29.9
L116	6200003261	S.COI NLV32T-101J	T	179.4/29.9
R2	7030003320	S.RES ERJ3GEYJ 101 V (100)	B	209.5/22.3
R11	7030003280	S.RES ERJ3GEYJ 470 V (47)	B	205.0/9.0
R12	7030003440	S.RES ERJ3GEYJ 102 V (1K)	B	216.0/34.7
R13	7030004040	S.RES ERJ3GEYJ 4R7 V (4.7)	B	213.0/29.2
R14	7030003860	S.RES ERJ3GE JPW V	T	214.2/25.8
R15	7030003860	S.RES ERJ3GE JPW V	T	201.2/39.3
R21	7030003440	S.RES ERJ3GEYJ 102 V (1K)	B	89.1/64.3
R22	7030003560	S.RES ERJ3GEYJ 103 V (10K)	B	101.4/68.9
R23	7030003440	S.RES ERJ3GEYJ 102 V (1K)	B	101.6/56.8
R24	7030003480	S.RES ERJ3GEYJ 222 V (2.2K)	B	98.5/32.7
R25	7030003470	S.RES ERJ3GEYJ 182 V (1.8K)	B	100.5/20.8
R26	7030003470	S.RES ERJ3GEYJ 182 V (1.8K)	B	100.5/8.6
R27	7030003470	S.RES ERJ3GEYJ 182 V (1.8K)	B	99.3/61.3
R28	7030003470	S.RES ERJ3GEYJ 182 V (1.8K)	B	89.1/59.5
R29	7030003480	S.RES ERJ3GEYJ 222 V (2.2K)	B	54.1/57.2
R30	7030003560	S.RES ERJ3GEYJ 103 V (10K)	B	50.0/56.3
R31	7030003560	S.RES ERJ3GEYJ 103 V (10K)	B	86.9/50.1
R32	7030003560	S.RES ERJ3GEYJ 103 V (10K)	T	174.5/5.4
R33	7030003440	S.RES ERJ3GEYJ 102 V (1K)	T	154.9/4.9
R34	7030003440	S.RES ERJ3GEYJ 102 V (1K)	T	155.3/2.9
R35	7030003680	S.RES ERJ3GEYJ 104 V (100K)	B	196.7/17.2
R36	7030003680	S.RES ERJ3GEYJ 104 V (100K)	B	149.2/5.9
R41	7030003320	S.RES ERJ3GEYJ 101 V (100)	T	134.5/5.6
R42	7030003320	S.RES ERJ3GEYJ 101 V (100)	B	139.6/15.7
R43	7030003520	S.RES ERJ3GEYJ 472 V (4.7K)	T	159.2/9.3
R44	7030003560	S.RES ERJ3GEYJ 103 V (10K)	T	143.7/4.7
R45	7030003560	S.RES ERJ3GEYJ 103 V (10K)	B	139.7/7.6
R46	7030003460	S.RES ERJ3GEYJ 152 V (1.5K)	T	143.7/2.3
R47	7030003560	S.RES ERJ3GEYJ 103 V (10K)	T	127.8/8.3
R51	7030003550	S.RES ERJ3GEYJ 822 V (8.2K)	T	159.2/8.0
R52	7030003540	S.RES ERJ3GEYJ 682 V (6.8K)	T	147.7/4.8
R53	7030003440	S.RES ERJ3GEYJ 102 V (1K)	T	146.3/3.5
R54	7030003620	S.RES ERJ3GEYJ 333 V (33K)	T	149.1/2.3
R55	7030003640	S.RES ERJ3GEYJ 473 V (47K)	T	146.4/2.3
R61	7030003560	S.RES ERJ3GEYJ 103 V (10K)	T	159.2/11.9
R62	7030003560	S.RES ERJ3GEYJ 103 V (10K)	B	143.0/15.7
R63	7030003590	S.RES ERJ3GEYJ 183 V (18K)	T	147.4/13.7
R64	7030003440	S.RES ERJ3GEYJ 102 V (1K)	B	143.0/10.3
R65	7030003440	S.RES ERJ3GEYJ 102 V (1K)	B	143.0/12.1
R71	7030003560	S.RES ERJ3GEYJ 103 V (10K)	T	159.2/10.6
R72	7030003560	S.RES ERJ3GEYJ 103 V (10K)	B	143.0/13.9
R73	7030003590	S.RES ERJ3GEYJ 183 V (18K)	T	143.4/13.6
R74	7030003440	S.RES ERJ3GEYJ 102 V (1K)	T	149.3/13.4
R81	7030004050	S.RES ERJ3GEYJ 1R0 V (1)	T	83.0/25.0
R82	7030003860	S.RES ERJ3GE JPW V	T	112.3/4.3
R83	7030003560	S.RES ERJ3GEYJ 103 V (10K)	T	112.3/7.5
R84	7030003520	S.RES ERJ3GEYJ 472 V (4.7K)	B	113.9/9.1
R85	7030003330	S.RES ERJ3GEYJ 121 V (120)	B	111.7/11.0
R86	7030003440	S.RES ERJ3GEYJ 102 V (1K)	T	80.4/23.8
R91	7030003440	S.RES ERJ3GEYJ 102 V (1K)	T	128.0/12.2
R93	7030003480	S.RES ERJ3GEYJ 222 V (2.2K)	B	126.2/11.7
R94	7030003600	S.RES ERJ3GEYJ 223 V (22K)	T	125.6/11.0
R95	7030003320	S.RES ERJ3GEYJ 101 V (100)	B	123.5/18.9
R96	7030003640	S.RES ERJ3GEYJ 473 V (47K)	T	121.5/16.8
R97	7030003460	S.RES ERJ3GEYJ 152 V (1.5K)	T	123.4/12.1
R98	7030003560	S.RES ERJ3GEYJ 103 V (10K)	T	121.0/14.3
R99	7030003700	S.RES ERJ3GEYJ 154 V (150K)	T	126.7/13.5
R111	7030003440	S.RES ERJ3GEYJ 102 V (1K)	B	158.7/30.0
R121	7030003560	S.RES ERJ3GEYJ 103 V (10K)	T	67.1/21.9
R122	7030003600	S.RES ERJ3GEYJ 223 V (22K)	T	68.1/18.8
R123	7030003560	S.RES ERJ3GEYJ 103 V (10K)	T	66.6/20.0
R124	7030003340	S.RES ERJ3GEYJ 151 V (150)	T	70.3/18.9
R151	7030003560	S.RES ERJ3GEYJ 103 V (10K)	T	113.6/32.6

M.=Mounted side (T: Mounted on the Top side, B: Mounted on the Bottom side)
S.=Surface mount

[CONNECT-B UNIT]

REF NO.	PARTS NO.	DESCRIPTION	M.	H/V LOCATION
R171	7030003620	S.RES ERJ3GEYJ 333 V (33K)	B	119.6/24.8
R172	7030003580	S.RES ERJ3GEYJ 153 V (15K)	B	119.6/23.0
R173	7030003510	S.RES ERJ3GEYJ 392 V (3.9K)	B	119.6/26.6
R174	7030003520	S.RES ERJ3GEYJ 472 V (4.7K)	B	114.8/24.8
R181	7030007160	S.RES ERJ12YJ3R3U (3.3)	B	145.3/38.8
R182	7030003560	S.RES ERJ3GEYJ 103 V (10K)	T	147.6/32.6
R183	7030003500	S.RES ERJ3GEYJ 332 V (3.3K)	T	145.8/32.6
R184	7030003340	S.RES ERJ3GEYJ 151 V (150)	B	147.8/38.8
R185	7030003560	S.RES ERJ3GEYJ 103 V (10K)	B	153.2/34.1
R186	7030003520	S.RES ERJ3GEYJ 472 V (4.7K)	B	153.1/41.8
R401	7030003320	S.RES ERJ3GEYJ 101 V (100)	B	98.9/35.3
R501	7030003520	S.RES ERJ3GEYJ 472 V (4.7K)	T	68.2/35.2
R502	7030003320	S.RES ERJ3GEYJ 101 V (100)	T	68.2/27.0
R503	7030003360	S.RES ERJ3GEYJ 221 V (220)	T	68.2/33.8
R504	7030003640	S.RES ERJ3GEYJ 473 V (47K)	T	68.2/28.4
R505	7030003440	S.RES ERJ3GEYJ 102 V (1K)	B	84.8/3.2
C1	4030006880	S.CER C1608 JB 1H 472K-T	B	205.2/21.5
C2	4030006880	S.CER C1608 JB 1H 472K-T	B	99.3/63.7
C11	4510008300	ELE EUUFC1C471L		
C12	4030011600	S.CER C1608 JB 1E 104K-T	T	63.6/122.5
C13	4510008220	ELE 16 ME 2200 CA		
C14	4030011600	S.CER C1608 JB 1E 104K-T	T	74.25/106.7
C15	4030006870	S.CER C1608 JB 1H 222K-T	T	216.45/26.55
C16	4510008550	S.ELE EEE1HA010SR	T	205.5/19.2
C17	4510008510	S.ELE EEE1CA471P	T	192.8/9.1
C18	4510008500	S.ELE EEE1CA101WP	T	202.2/12.7
C21	4030008980	S.CER C2012 JB 1C 154K-T	B	197.4/19.5
C22	4030006900	S.CER C1608 JB 1H 103K-T	T	199.8/18.5
C23	4030011600	S.CER C1608 JB 1E 104K-T	B	191.9/19.0
C24	4030017490	S.CER C1608 JB 1A 105K-T	B	182.7/8.6
C25	4510008530	S.ELE EEE1HA2R2SR	T	191.2/19.1
C26	4510008540	S.ELE EEE1CA100SR	T	182.2/11.6
C27	4030017490	S.CER C1608 JB 1A 105K-T	B	182.7/6.3
C28	4510008540	S.ELE EEE1CA100SR	T	171.1/9.9
C29	4510008530	S.ELE EEE1HA2R2SR	T	159.3/4.9
C30	4510008540	S.ELE EEE1CA100SR	T	175.9/9.9
C31	4510008540	S.ELE EEE1CA100SR	T	165.4/4.9
C32	4510008540	S.ELE EEE1CA100SR	T	165.4/9.8
C33	4030011600	S.CER C1608 JB 1E 104K-T	B	151.4/11.6
C34	4030006900	S.CER C1608 JB 1H 103K-T	T	154.1/2.9
C35	4030008980	S.CER C2012 JB 1C 154K-T	B	152.1/5.8
C41	4510008540	S.ELE EEE1CA100SR	T	138.9/9.1
C42	4510008540	S.ELE EEE1CA100SR	T	138.8/13.9
C43	4030006860	S.CER C1608 JB 1H 102K-T	T	143.7/3.5
C44	4510009120	S.ELE EEE1VA2R2NR	T	138.9/4.3
C51	4030006870	S.CER C1608 JB 1H 222K-T	T	149.1/3.5
C61	4030007170	S.CER C1608 CH 1H 221J-T	T	147.4/15.0
C62	4510008540	S.ELE EEE1CA100SR	T	132.5/13.5
C63	4510008540	S.ELE EEE1CA100SR	T	132.5/8.7
C71	4030007170	S.CER C1608 CH 1H 221J-T	T	143.4/14.9
C72	4510008540	S.ELE EEE1CA100SR	T	152.9/13.9
C81	4510008500	S.ELE EEE1CA101WP	T	114.8/15.7
C82	4510008550	S.ELE EEE1HA010SR	T	125.9/5.2
C83	4030011600	S.CER C1608 JB 1E 104K-T	T	115.8/3.5
C84	4510008510	S.ELE EEE1CA471P	T	105.8/8.9
C85	4030011810	S.CER C1608 JB 1A 224K-T	T	80.4/25.0
C86	4510009010	S.ELE EEE1AA221P	T	95.8/9.9
C91	4030011600	S.CER C1608 JB 1E 104K-T	T	123.1/9.7
C92	4030011600	S.CER C1608 JB 1E 104K-T	T	124.2/16.8
C101	4030007130	S.CER C1608 CH 1H 101J-T	B	189.4/38.3
C111	4030006880	S.CER C1608 JB 1H 472K-T	B	171.3/29.9
C112	4030006880	S.CER C1608 JB 1H 472K-T	B	185.4/29.8
C113	4030006880	S.CER C1608 JB 1H 472K-T	B	168.3/29.9
C114	4030006880	S.CER C1608 JB 1H 472K-T	B	176.3/29.8
C115	4030006880	S.CER C1608 JB 1H 472K-T	B	182.4/29.8
C116	4030006880	S.CER C1608 JB 1H 472K-T	B	179.4/29.8
C117	4030011600	S.CER C1608 JB 1E 104K-T	B	160.8/30.8
C121	4030006900	S.CER C1608 JB 1H 103K-T	T	66.6/17.6
C122	4030017480	S.CER C1608 JB 1A 474K-T	T	66.8/12.8
C124	4030006900	S.CER C1608 JB 1H 103K-T	T	71.5/18.0
C125	4030006900	S.CER C1608 JB 1H 103K-T	T	71.5/20.6
C126	4030006900	S.CER C1608 JB 1H 103K-T	T	68.3/21.9
C171	4030006880	S.CER C1608 JB 1H 472K-T	B	116.5/19.6
C181	4030011600	S.CER C1608 JB 1E 104K-T	B	146.0/33.5
C182	4030011600	S.CER C1608 JB 1E 104K-T	B	153.1/37.8
C184	4030006880	S.CER C1608 JB 1H 472K-T	B	153.1/39.8
C301	4030006880	S.CER C1608 JB 1H 472K-T	B	108.4/40.4
C302	4030006880	S.CER C1608 JB 1H 472K-T	B	113.5/40.4
C401	4030006860	S.CER C1608 JB 1H 102K-T	B	96.0/32.0
C402	4030006860	S.CER C1608 JB 1H 102K-T	B	98.9/29.2
C501	4030006860	S.CER C1608 JB 1H 102K-T	T	68.2/36.5
C502	4030011600	S.CER C1608 JB 1E 104K-T	T	68.2/32.4
C503	4510008540	S.ELE EEE1CA100SR	T	72.5/33.3
C504	4510008540	S.ELE EEE1CA100SR	T	72.9/27.9
C505	4510008500	S.ELE EEE1CA101WP	T	62.2/32.5
C901	4030006860	S.CER C1608 JB 1H 102K-T	B	87.2/13.5
C902	4030006860	S.CER C1608 JB 1H 102K-T	B	85.2/13.5
C903	4030006860	S.CER C1608 JB 1H 102K-T	B	86.7/4.0
C904	4030006860	S.CER C1608 JB 1H 102K-T	B	81.2/13.5
C905	4030006860	S.CER C1608 JB 1H 102K-T	B	79.2/13.5
C906	4030006860	S.CER C1608 JB 1H 102K-T	B	77.2/13.5
C907	4030006860	S.CER C1608 JB 1H 102K-T	B	75.2/13.5
RL1	6330001790	REL ATX203		
RL121	6330001721	REL ATN207-K1		
RL401	6330001790	REL ATX203		
J1	6510023720	CON LGY6501-0600C		
J101	6510024940	CON HEC2305-016250		
J111	6510023671	CON TCS4480-0141577		
J181	6510023720	CON LGY6501-0600C		

[CONNECT-B UNIT]

REF NO.	PARTS NO.	DESCRIPTION	M.	H/V LOCATION
J201	6510023750	CON 01K1971-10		
J202	6510007020	CON TMP-J01X-V6		
J301	6450001130	CON JPJ2042-01-110		
J401	6510023720	CON LGY6501-0600C		
J501	6510023720	CON LGY6501-0600C		
J601	6450001130	CON JPJ2042-01-110		
J602	6510018961	S.CON B2B-PH-SM4-TB(LF)(SN)	T	46.8/15.6
J603	6510022191	S.CON B3B-PH-SM4-TB(LF)(SN)	T	59.0/15.6
J701	6450001800	CON JPJ1044-01-010		
J702	6510007020	CON TMP-J01X-V6		
J801	6510023750	CON 01K1971-10		
J802	6510007020	CON TMP-J01X-V6		
J901	6510021722	S.CON 30FLT-SM2-TB(LF)(SN)(M)	T	109.8/25.0
J902	6510022801	S.CON B10B-PH-SM4-TB(LF)(SN)	T	78.2/6.0
F101	5220000230	HOL S-N5054 #01		
F102	5220000230	HOL S-N5054 #01		
F103	5210000031	FUS FGB 1A PBF (FGB0 125V)		
EP11	6910014730	S.BEA MPZ2012S331A-T	T	204.2/41.5
EP12	6910014730	S.BEA MPZ2012S331A-T	T	216.2/41.7
EP101	6910014730	S.BEA MPZ2012S331A-T	B	186.6/43.3
EP102	6910014730	S.BEA MPZ2012S331A-T	T	194.8/34.0
EP112	6910014730	S.BEA MPZ2012S331A-T	T	185.5/29.7
EP115	6910014730	S.BEA MPZ2012S331A-T	T	182.4/29.8
EP116	6910014730	S.BEA MPZ2012S331A-T	B	175.4/42.1
EP181	6910015970	S.BEA MMZ1608B 301CT-AS	B	153.5/43.7
EP182	6910015970	S.BEA MMZ1608B 301CT-AS	B	153.4/45.3
EP301	6910014730	S.BEA MPZ2012S331A-T	T	116.0/37.8
EP302	6910014730	S.BEA MPZ2012S331A-T	T	105.8/37.8
EP303	6910014730	S.BEA MPZ2012S331A-T	B	113.3/47.9
EP304	6910014730	S.BEA MPZ2012S331A-T	B	98.4/47.9
EP401	6910014730	S.BEA MPZ2012S331A-T	B	84.0/40.8
EP402	6910014730	S.BEA MPZ2012S331A-T	B	92.1/39.9
EP501	6910015970	S.BEA MMZ1608B 301CT-AS	T	66.2/38.0
EP502	6910015970	S.BEA MMZ1608B 301CT-AS	B	78.1/44.6
EP601	6910014730	S.BEA MPZ2012S331A-T	B	39.0/47.9
EP901	6910014730	S.BEA MPZ2012S331A-T	T	75.2/13.0
EP902	6910014730	S.BEA MPZ2012S331A-T	T	77.2/13.0
EP903	6910014730	S.BEA MPZ2012S331A-T	T	79.2/13.0
EP904	6910014730	S.BEA MPZ2012S331A-T	T	81.2/13.0
EP905	6910014730	S.BEA MPZ2012S331A-T	T	85.2/13.0
EP906	6910014730	S.BEA MPZ2012S331A-T	T	87.2/13.0

M.=Mounted side (T: Mounted on the Top side, B: Mounted on the Bottom side)
S.=Surface mount

[LOGIC UNIT] (For all models except [USA])

REF NO.	PARTS NO.	DESCRIPTION	M.	H/V LOCATION
IC1	1130014630	S.IC MT48LC16M16A2P-75 IT:D	B	91.4/47.7
IC2	1130014630	S.IC MT48LC16M16A2P-75 IT:D	T	74.0/114.0
IC51	1130011591	S.IC IDT70V24L15PFG	B	110.2/71.0
IC52	1140009781	S.IC XC9572XL-10TQG100C	B	131.2/71.0
IC53	1110005821	S.IC R3112N281A-TR-F	T	160.2/52.1
IC54	1130007431	S.IC TC7S14FU(TE85RF)	T	164.5/51.8
IC55	1130008041	S.IC TC7SH04FU(TE85LJF)	T	112.7/40.5
IC101	1130011010	S.IC SN74C85BTLV3257PWR <ACE>	T	39.9/90.4
IC102	1130006441	S.IC TC7S08F(TE85RF)	T	76.7/54.1
IC103	1140011561	S.IC HD6417751RBP200V	T	68.2/79.9
IC104	1130008361	S.IC TC7SHU04FU(TE85LJF)	T	24.1/75.9
IC105	1130013700	S.IC CY2292FXC (RX-2844H)	T	27.3/84.0
IC106	1130011110	S.IC TC74VXC04FT(EL)	T	24.7/93.4
IC201	1130014630	S.IC MT48LC16M16A2P-75 IT:D	B	142.8/92.4
IC202	1130014630	S.IC MT48LC16M16A2P-75 IT:D	B	142.8/110.5
IC203	1140011571	S.IC HD64404BTDV	T	112.1/93.4
IC204	1140011581	S.IC ADV7123KSTZ50 <FE>	B	116.7/134.5
IC205	1130011941	S.IC TC7SZ04FU(TE85LF)	T	111.2/139.8
IC206	1130012150	S.IC SN74AC104PWR	B	165.5/94.5
IC207	1130005721	S.IC TC7W04F(TE12LF)	B	15.0/67.0
IC208	1130011951	S.IC UPT16875G-E1-A	B	8.2/67.0
IC209	1190001920	S.IC AK5355-VT-E2	B	86.7/126.3
IC211	1190001910	S.IC AK4384-VT-E2	B	86.7/133.3
IC212	1130013830	S.IC TC7SA34FU(TE85LF)	B	106.9/122.2
IC401	1130010970	S.IC PCI1410APGR	B	38.2/63.6
IC402	1130011960	S.IC TPS2211AIDBR	B	36.5/46.2
IC403	1130009570	S.IC BR93LC46F-WE2	T	39.0/81.9
IC404	1130010990	S.IC RTL8139C+ <GMI>	B	37.7/91.5
IC405	1130013830	S.IC TC7SA34FU(TE85LF)	T	39.2/56.7
IC601	1130012781	S.IC SN74AHC2G04HDCT3	B	53.7/36.7
IC604	1140011590	S.IC HD64F2377VFQ33V (EMPTY)	B	101.7/45.5
IC605	1140009781	S.IC XC9572XL-10TQG100C	B	155.7/72.0
IC607	1130006441	S.IC TC7S08F(TE85RF)	B	74.4/37.7
IC608	1130006441	S.IC TC7S08F(TE85RF)	B	78.1/37.7
IC609	1130005252	S.IC TC74HC08AF(ELF)	B	74.7/44.9
IC610	1130015080	S.IC R1EX74251ASASOA	B	64.8/80.4
IC801	1180001252	S.IC TA7808F(TE16L1NQ)	B	176.5/150.4
IC802	1180001072	S.IC TA7805F(TE16L1NQ)	B	190.5/138.0
IC803	1180001072	S.IC TA7805F(TE16L1NQ)	B	23.9/5.2
IC804	1180002020	S.REG BA033FP-E2	B	182.1/38.2
IC805	1180002601	S.REG TA48015F (TE16L1NQ)	B	15.8/15.0
IC806	1180001072	S.IC TA7805F(TE16L1NQ)	B	50.9/147.4
IC855	1190002140	S.IC SAA7115HLV1	T	136.3/136.1
IC856	1190002150	S.IC SAA7105HV1	B	140.5/35.3
IC923	1130012000	S.IC M62352AGP C60Q	T	17.0/132.9
IC1001	1110003870	S.IC NJM2058M-TE1-#ZZZB	B	29.3/127.5
IC1031	1110005080	S.IC NJM2246M-TE1-#ZZZB	T	164.3/131.3
Q601	1530002060	S.TRA 2SC4081 T106 R	B	48.2/37.9
Q602	1510000510	S.TRA 2SA1576A T106R	B	48.2/33.8
Q1031	1530002060	S.TRA 2SC4081 T106 R	T	171.5/137.1
Q1032	1590003930	S.TRA UMD22N TR	T	37.4/24.5
D201	1790000981	S.DIO MA3J7420GL	B	116.7/144.5
D202	1790000981	S.DIO MA3J7420GL	B	116.7/147.7
D203	1790000981	S.DIO MA3J7420GL	B	116.6/150.6
D204	1790000981	S.DIO MA3J7420GL	B	174.6/102.5
D205	1790000981	S.DIO MA3J7420GL	B	174.6/99.7
D206	1790000981	S.DIO MA3J7420GL	B	27.4/36.4
D207	1790000981	S.DIO MA3J7420GL	B	27.4/33.9
D601	1750000550	S.DIO 1SS355 TE-17	B	45.8/37.0
D653	1750000550	S.DIO 1SS355 TE-17 [USA-01] only	T	159.9/82.2
D656	1750000550	S.DIO 1SS355 TE-17 [UK]	T	154.5/82.2
	1750000550	S.DIO 1SS355 TE-17 [USA-01]		
	1750000550	S.DIO 1SS355 TE-17 [EXP]		
	1750000550	S.DIO 1SS355 TE-17 [AUS]		
	1750000550	S.DIO 1SS355 TE-17 [CHN]		
D657	1750000550	S.DIO 1SS355 TE-17 [FRA]	T	150.9/82.2
	1750000550	S.DIO 1SS355 TE-17 [EUR]		
	1750000550	S.DIO 1SS355 TE-17 [EXP]		
	1750000550	S.DIO 1SS355 TE-17 [AUS]		
	1750000550	S.DIO 1SS355 TE-17 [CHN]		
D658	1750000550	S.DIO 1SS355 TE-17 [EUR]	T	152.7/82.2
	1750000550	S.DIO 1SS355 TE-17 [USA-01]		
	1750000550	S.DIO 1SS355 TE-17 [AUS]		
D663	1750000550	S.DIO 1SS355 TE-17 [FRA] only	B	181.3/104.9
D665	1750000550	S.DIO 1SS355 TE-17 [FRA] only	B	181.3/99.6
X101	6050011610	S.XTA CR-751 SMD-49 25.000 MHz <KDS>	T	17.6/78.1
X201	6050010680	S.XTA CR-628 SMD-49 24.576 MHz <KDS>	T	119.6/109.6
X202	6050011910	S.XTA CR-780 DSX530G 48 MHz<KDS>	T	115.2/76.7
X601	6050011810	S.XTA CR-755 SMD-49 15.9744 MHz <KDS>	T	96.6/28.6
L101	6200004940	S.COI MLF1608D R27K-T	T	19.8/92.2
L102	6200004940	S.COI MLF1608D R27K-T	T	22.2/97.0
L103	6200004940	S.COI MLF1608D R27K-T	T	29.6/94.1
L203	6200002631	S.COI NLV25T-R10J	B	120.2/145.8
L204	6200002631	S.COI NLV25T-R10J	B	120.2/152.2
L205	6200002631	S.COI NLV25T-R10J	B	113.0/150.0
L380	6200004961	S.COI NLV25T-R33J	T	109.5/120.9
L381	6200004961	S.COI NLV25T-R33J	T	106.7/123.0
L382	6200004961	S.COI NLV25T-R33J	B	103.9/118.4
L383	6200004961	S.COI NLV25T-R33J	B	100.5/118.4
L561	6200003091	S.COI NLV32T-2R7J	B	157.6/34.0
L562	6200003091	S.COI NLV32T-2R7J	B	157.7/39.8
L826	6180003321	S.COI SLF6028T-150M1R0-PF	T	178.8/77.5
L901	6200003241	S.COI NLV32T-221J	B	5.0/104.7
L962	6200002041	S.COI NLV25T-101J	T	29.2/11.4

[LOGIC UNIT] (For all models except [USA])

REF NO.	PARTS NO.	DESCRIPTION	M.	H/V LOCATION
R1	7030003520	S.RES ERJ3GEYJ 472 V (4.7K)	B	8.5/88.3
R2	7030003520	S.RES ERJ3GEYJ 103 V (10K)	B	8.6/87.0
R51	7030003520	S.RES ERJ3GEYJ 472 V (4.7K)	T	164.0/102.4
R52	7030003560	S.RES ERJ3GEYJ 103 V (10K)	T	156.6/51.8
R59	7030003260	S.RES ERJ3GEYJ 330 V (33)	T	136.2/73.4
R101	7030003680	S.RES ERJ3GEYJ 104 V (100K)	T	27.6/9.0
R102	7030003520	S.RES ERJ3GEYJ 472 V (4.7K)	T	28.4/0.7
R103	7030003520	S.RES ERJ3GEYJ 472 V (4.7K)	T	29.5/11.1
R104	7030003520	S.RES ERJ3GEYJ 472 V (4.7K)	T	37.3/9.6
R105	7030003520	S.RES ERJ3GEYJ 472 V (4.7K)	T	36.6/7.6
R106	7030003560	S.RES ERJ3GEYJ 103 V (10K)	T	38.1/7.6
R107	7030003560	S.RES ERJ3GEYJ 103 V (10K)	T	45.3/19.5
R108	7030003560	S.RES ERJ3GEYJ 103 V (10K)	T	47.3/18.8
R109	7030003560	S.RES ERJ3GEYJ 103 V (10K)	T	47.3/20.3
R110	7030003560	S.RES ERJ3GEYJ 103 V (10K)	B	39.7/20.5
R111	7030003560	S.RES ERJ3GEYJ 103 V (10K)	T	20.0/13.8
R112	7030003560	S.RES ERJ3GEYJ 103 V (10K)	T	20.0/12.3
R113	7030003560	S.RES ERJ3GEYJ 103 V (10K)	T	21.9/13.1
R114	7030003560	S.RES ERJ3GEYJ 103 V (10K)	B	60.55/64.55
R115	7030003560	S.RES ERJ3GEYJ 103 V (10K)	B	64.2/77.7
R116	7030003560	S.RES ERJ3GEYJ 103 V (10K)	B	64.2/76.4
R117	7030003260	S.RES ERJ3GEYJ 330 V (33)	B	58.0/64.5
R118	7030003560	S.RES ERJ3GEYJ 103 V (10K)	B	64.2/79.0
R119	7030003560	S.RES ERJ3GEYJ 103 V (10K)	B	55.9/65.1
R120	7030003560	S.RES ERJ3GEYJ 103 V (10K)	B	64.2/80.3
R121	7030003560	S.RES ERJ3GEYJ 103 V (10K)	B	58.0/61.9
R122	7030003560	S.RES ERJ3GEYJ 103 V (10K)	B	54.0/71.1
R123	7030003560	S.RES ERJ3GEYJ 103 V (10K)	B	58.0/60.6
R124	7030003680	S.RES ERJ3GEYJ 104 V (100K)	T	65.7/64.4
R125	7030003520	S.RES ERJ3GEYJ 472 V (4.7K)	T	67.0/64.4
R126	7030003560	S.RES ERJ3GEYJ 103 V (10K)	B	66.8/76.4
R127	7030003560	S.RES ERJ3GEYJ 103 V (10K)	B	66.8/75.1
R128	7030003560	S.RES ERJ3GEYJ 103 V (10K)	T	68.3/60.8
R129	7030003560	S.RES ERJ3GEYJ 103 V (10K)	T	69.6/61.8
R130	7030003560	S.RES ERJ3GEYJ 103 V (10K)	B	71.1/65.5
R131	7030003560	S.RES ERJ3GEYJ 103 V (10K)	B	69.4/76.0
R132	7030003560	S.RES ERJ3GEYJ 103 V (10K)	T	70.9/64.4
R133	7030003560	S.RES ERJ3GEYJ 103 V (10K)	T	70.9/61.8
R134	7030003200	S.RES ERJ3GEYJ 100 V (10)	B	72.0/73.9
R135	7030003200	S.RES ERJ3GEYJ 100 V (10)	B	72.0/75.2
R136	7030003200	S.RES ERJ3GEYJ 100 V (10)	B	84.8/65.5
R137	7030004050	S.RES ERJ3GEYJ 1R0 V (1)	B	64.2/83.4
R138	7030003560	S.RES ERJ3GEYJ 103 V (10K)	B	64.2/84.0
R139	7030003560	S.RES ERJ3GEYJ 103 V (10K)	B	64.5/93.1
R140	7410000990	S.ARR EXB-V8V 470JV (47)	T	61.7/97.7
R141	7410000990	S.ARR EXB-V8V 470JV (47)	T	58.0/97.7
R142	7410000990	S.ARR EXB-V8V 470JV (47)	T	69.1/97.7
R143	7410000990	S.ARR EXB-V8V 470JV (47)	T	76.5/97.7
R144	7410000990	S.ARR EXB-V8V 470JV (47)	T	65.4/97.7
R145	7410000990	S.ARR EXB-V8V 470JV (47)	T	72.8/97.7
R146	7030003280	S.RES ERJ3GEYJ 470 V (47)	T	84.7/96.8
R147	7030003280	S.RES ERJ3GEYJ 470 V (47)	T	84.7/95.5
R148	7410000990	S.ARR EXB-V8V 470JV (47)	T	80.2/97.7
R149	7410000990	S.ARR EXB-V8V 470JV (47)	T	84.7/69.9
R150	7410000990	S.ARR EXB-V8V 470JV (47)	T	84.7/73.6
R151	7410000990	S.ARR EXB-V8V 470JV (47)	T	84.7/77.1
R152	7410000990	S.ARR EXB-V8V 470JV (47)	T	84.7/81.0
R153	7030003200	S.RES ERJ3GEYJ 100 V (10)	T	84.7/98.1
R154	7410000990	S.ARR EXB-V8V 470JV (47)	T	84.7/84.7
R155	7410000990	S.ARR EXB-V8V 470JV (47)	T	84.7/88.4
R156	7410000990	S.ARR EXB-V8V 470JV (47)	T	84.7/93.0
R157	7410000800	S.ARR EXB-V8V 103JV (10K)	T	92.2/53.8
R158	7030003560	S.RES ERJ3GEYJ 103 V (10K)	T	91.4/49.8
R159	7030003560	S.RES ERJ3GEYJ 103 V (10K)	T	79.0/56.4
R161	7030003250	S.RES ERJ3GEYJ 270 V (27)	T	23.8/79.6
R162	7030003800	S.RES ERJ3GEYJ 105 V (1M)	T	20.9/76.7
R163	7030003320	S.RES ERJ3GEYJ 101 V (100)	T	27.3/90.2
R164	7030003250	S.RES ERJ3GEYJ 270 V (27)	B	25.5/83.3
R165	7030003340	S.RES ERJ3GEYJ 151 V (150)	T	21.6/73.6
R168	7030003430	S.RES ERJ3GEYJ 821 V (820)	T	33.2/81.3
R169	7030003330	S.RES ERJ3GEYJ 121 V (120)	T	34.1/84.2
R170	7030003600	S.RES ERJ3GEYJ 223 V (22K)	B	54.0/55.3
R171	7030003600	S.RES ERJ3GEYJ 223 V (22K)	B	50.1/90.3
R172	7030003600	S.RES ERJ3GEYJ 223 V (22K)	B	50.1/91.6
R173	7030003600	S.RES ERJ3GEYJ 223 V (22K)	B	53.3/92.4
R174	7030003600	S.RES ERJ3GEYJ 223 V (22K)	B	53.3/93.8
R175	7030003600	S.RES ERJ3GEYJ 223 V (22K)	B	53.3/95.1
R176	7030003600	S.RES ERJ3GEYJ 223 V (22K)	B	50.1/89.0
R201	7030003720	S.RES ERJ3GEYJ 224 V (220K)	B	39.7/24.8
R202	7030003720	S.RES ERJ3GEYJ 224 V (220K)	B	41.5/24.8
R203	7030003720	S.RES ERJ3GEYJ 224 V (220K)	B	46.4/24.8
R204	7030003720	S.RES ERJ3GEYJ 224 V (220K)	B	44.6/24.8
R205	7030003720	S.RES ERJ3GEYJ 224 V (220K)	T	133.4/109.9
R206	7030003720	S.RES ERJ3GEYJ 224 V (220K)	T	134.7/109.9
R207	7030003720	S.RES ERJ3GEYJ 224 V (220K)	T	136.0/109.9
R208	7030003720	S.RES ERJ3GEYJ 224 V (220K)	T	137.3/109.9
R209	7030003720	S.RES ERJ3GEYJ 224 V (220K)	T	129.2/100.6
R212	7030003640	S.RES ERJ3GEYJ		

[LOGIC UNIT] (For all models except [USA])

REF NO.	PARTS NO.	DESCRIPTION	M.	H/V LOCATION
R237	7030003560	S.RES ERJ3GEYJ 103 V (10K)	B	109.4/98.3
R238	7030003560	S.RES ERJ3GEYJ 103 V (10K)	T	110.2/107.2
R239	7030003560	S.RES ERJ3GEYJ 103 V (10K)	T	110.6/110.2
R240	7030003560	S.RES ERJ3GEYJ 103 V (10K)	T	110.6/113.2
R241	7030003560	S.RES ERJ3GEYJ 103 V (10K)	B	111.7/104.4
R242	7030003560	S.RES ERJ3GEYJ 103 V (10K)	T	111.6/107.2
R243	7030003560	S.RES ERJ3GEYJ 103 V (10K)	B	110.7/98.3
R244	7030003560	S.RES ERJ3GEYJ 103 V (10K)	T	111.4/79.8
R245	7030003560	S.RES ERJ3GEYJ 103 V (10K)	T	104.9/79.8
R246	7030003560	S.RES ERJ3GEYJ 103 V (10K)	T	103.6/76.7
R247	7030003560	S.RES ERJ3GEYJ 103 V (10K)	B	111.5/89.5
R248	7030003560	S.RES ERJ3GEYJ 103 V (10K)	T	106.2/79.8
R249	7030003560	S.RES ERJ3GEYJ 103 V (10K)	T	101.0/79.8
R250	7030003560	S.RES ERJ3GEYJ 103 V (10K)	T	102.3/79.8
R251	7030003560	S.RES ERJ3GEYJ 103 V (10K)	T	104.9/76.7
R252	7030003560	S.RES ERJ3GEYJ 103 V (10K)	T	102.3/76.7
R253	7030003560	S.RES ERJ3GEYJ 103 V (10K)	T	98.5/90.1
R254	7030003560	S.RES ERJ3GEYJ 103 V (10K)	T	103.6/79.8
R255	7030003560	S.RES ERJ3GEYJ 103 V (10K)	T	101.0/76.7
R256	7030003560	S.RES ERJ3GEYJ 103 V (10K)	B	111.5/92.1
R257	7030003560	S.RES ERJ3GEYJ 103 V (10K)	T	107.5/79.8
R258	7030003560	S.RES ERJ3GEYJ 103 V (10K)	B	111.5/93.4
R259	7030003560	S.RES ERJ3GEYJ 103 V (10K)	T	107.5/76.7
R260	7030003560	S.RES ERJ3GEYJ 103 V (10K)	B	111.5/94.7
R261	7030003560	S.RES ERJ3GEYJ 103 V (10K)	T	108.8/76.7
R262	7030003560	S.RES ERJ3GEYJ 103 V (10K)	B	111.5/96.0
R263	7030003560	S.RES ERJ3GEYJ 103 V (10K)	B	108.7/81.6
R264	7030003560	S.RES ERJ3GEYJ 103 V (10K)	B	112.7/87.6
R265	7030003560	S.RES ERJ3GEYJ 103 V (10K)	T	107.5/74.1
R266	7030003560	S.RES ERJ3GEYJ 103 V (10K)	T	108.8/74.1
R267	7030003560	S.RES ERJ3GEYJ 103 V (10K)	T	110.1/79.8
R268	7030003560	S.RES ERJ3GEYJ 103 V (10K)	B	106.1/81.6
R269	7030003560	S.RES ERJ3GEYJ 103 V (10K)	T	108.8/79.8
R270	7030003560	S.RES ERJ3GEYJ 103 V (10K)	T	106.2/76.7
R271	7030003560	S.RES ERJ3GEYJ 103 V (10K)	T	106.2/74.1
R272	7030003560	S.RES ERJ3GEYJ 103 V (10K)	B	129.5/86.1
R273	7030003560	S.RES ERJ3GEYJ 103 V (10K)	T	128.7/83.2
R274	7030003560	S.RES ERJ3GEYJ 103 V (10K)	B	114.6/94.7
R275	7030003560	S.RES ERJ3GEYJ 103 V (10K)	T	125.8/84.5
R276	7030003560	S.RES ERJ3GEYJ 103 V (10K)	T	121.6/79.8
R277	7030003560	S.RES ERJ3GEYJ 103 V (10K)	T	128.7/81.9
R278	7030003560	S.RES ERJ3GEYJ 103 V (10K)	T	128.7/80.6
R279	7030003560	S.RES ERJ3GEYJ 103 V (10K)	B	114.6/96.0
R280	7030003560	S.RES ERJ3GEYJ 103 V (10K)	T	128.7/84.5
R281	7030003560	S.RES ERJ3GEYJ 103 V (10K)	B	115.4/90.2
R282	7030003560	S.RES ERJ3GEYJ 103 V (10K)	B	114.1/90.2
R283	7030003560	S.RES ERJ3GEYJ 103 V (10K)	B	119.3/80.9
R284	7030003560	S.RES ERJ3GEYJ 103 V (10K)	B	120.6/80.9
R285	7030003560	S.RES ERJ3GEYJ 103 V (10K)	B	114.6/93.4
R286	7030003560	S.RES ERJ3GEYJ 103 V (10K)	T	128.7/79.3
R287	7030003560	S.RES ERJ3GEYJ 103 V (10K)	T	119.0/79.8
R288	7030003560	S.RES ERJ3GEYJ 103 V (10K)	T	123.4/78.4
R289	7030003560	S.RES ERJ3GEYJ 103 V (10K)	T	117.7/79.8
R290	7030003560	S.RES ERJ3GEYJ 103 V (10K)	B	114.6/92.1
R291	7030003560	S.RES ERJ3GEYJ 103 V (10K)	T	120.3/79.8
R292	7030003560	S.RES ERJ3GEYJ 103 V (10K)	B	108.9/90.8
R293	7030003560	S.RES ERJ3GEYJ 103 V (10K)	B	108.9/92.1
R294	7030003560	S.RES ERJ3GEYJ 103 V (10K)	B	108.9/93.4
R295	7030003560	S.RES ERJ3GEYJ 473 V (47K)	B	111.5/90.8
R296	7030003560	S.RES ERJ3GEYJ 103 V (10K)	T	126.0/102.7
R299	7030003560	S.RES ERJ3GEYJ 103 V (10K)	T	126.0/105.3
R300	7030003560	S.RES ERJ3GEYJ 103 V (10K)	T	129.2/105.3
R301	7030003560	S.RES ERJ3GEYJ 103 V (10K)	T	133.2/105.5
R302	7030003560	S.RES ERJ3GEYJ 103 V (10K)	T	129.2/106.6
R305	7030003560	S.RES ERJ3GEYJ 103 V (10K)	T	126.0/104.0
R306	7030003560	S.RES ERJ3GEYJ 103 V (10K)	T	126.0/101.4
R307	7030003560	S.RES ERJ3GEYJ 103 V (10K)	T	129.2/102.2
R308	7030003560	S.RES ERJ3GEYJ 103 V (10K)	T	133.2/104.2
R309	7030003560	S.RES ERJ3GEYJ 103 V (10K)	T	129.2/103.5
R310	7030003560	S.RES ERJ3GEYJ 103 V (10K)	T	125.8/83.2
R311	7030003560	S.RES ERJ3GEYJ 103 V (10K)	B	130.8/86.1
R313	7030003410	S.RES ERJ3GEYJ 561 V (560)	B	123.2/136.5
R314	7030003340	S.RES ERJ3GEYJ 151 V (150)	B	119.8/141.3
R315	7030003340	S.RES ERJ3GEYJ 151 V (150)	B	119.8/142.6
R316	7030003340	S.RES ERJ3GEYJ 151 V (150)	B	119.8/147.7
R317	7030003340	S.RES ERJ3GEYJ 151 V (150)	B	119.8/149.0
R318	7030003340	S.RES ERJ3GEYJ 151 V (150)	B	113.0/145.0
R319	7030003340	S.RES ERJ3GEYJ 151 V (150)	B	113.0/146.3
R320	7030003240	S.RES ERJ3GEYJ 220 V (22)	B	171.1/102.5
R321	7030003240	S.RES ERJ3GEYJ 220 V (22)	B	171.1/99.7
R322	7030003250	S.RES ERJ3GEYJ 270 V (27)	T	2.3/66.3
R323	7030003250	S.RES ERJ3GEYJ 270 V (27)	T	9.4/65.3
R324	7030003580	S.RES ERJ3GEYJ 153 V (15K)	T	2.3/67.6
R325	7030003580	S.RES ERJ3GEYJ 153 V (15K)	T	9.4/66.6
R326	7030003250	S.RES ERJ3GEYJ 270 V (27)	T	20.2/66.8
R327	7030003250	S.RES ERJ3GEYJ 270 V (27)	T	20.2/69.5
R328	7030003580	S.RES ERJ3GEYJ 153 V (15K)	T	21.5/66.8
R329	7030003580	S.RES ERJ3GEYJ 153 V (15K)	T	21.5/69.5
R330	7030003560	S.RES ERJ3GEYJ 103 V (10K)	B	8.2/70.5
R331	7030003560	S.RES ERJ3GEYJ 103 V (10K)	B	8.2/63.5
R332	7030003640	S.RES ERJ3GEYJ 473 V (47K)	B	84.7/129.8
R333	7030003640	S.RES ERJ3GEYJ 473 V (47K)	B	92.8/125.9
R334	7030003640	S.RES ERJ3GEYJ 473 V (47K)	B	87.8/122.8
R335	7030003200	S.RES ERJ3GEYJ 100 V (10)	B	92.0/127.3
R340	7030003200	S.RES ERJ3GEYJ 100 V (10)	B	92.0/135.9
R341	7030003640	S.RES ERJ3GEYJ 473 V (47K)	B	92.7/133.3
R344	7030003520	S.RES ERJ3GEYJ 472 V (4.7K)	B	81.4/130.0
R350	7030003860	S.RES ERJ3GE JPW V	T	134.3/64.0
R351	7030003860	S.RES ERJ3GE JPW V	B	115.4/98.3
R353	7030003860	S.RES ERJ3GE JPW V	B	185.9/82.2
R355	7030003860	S.RES ERJ3GE JPW V	B	185.9/83.5
R356	7030003860	S.RES ERJ3GE JPW V	B	173.7/82.4
R361	7030003320	S.RES ERJ3GEYJ 101 V (100)	T	108.8/139.0
R371	7030003560	S.RES ERJ3GEYJ 103 V (10K)	T	112.0/113.2
R372	7030003560	S.RES ERJ3GEYJ 103 V (10K)	B	116.1/105.8

[LOGIC UNIT] (For all models except [USA])

REF NO.	PARTS NO.	DESCRIPTION	M.	H/V LOCATION
R373	7030003560	S.RES ERJ3GEYJ 103 V (10K)	B	119.3/105.9
R374	7030003560	S.RES ERJ3GEYJ 103 V (10K)	T	112.9/107.2
R375	7030003560	S.RES ERJ3GEYJ 103 V (10K)	T	112.0/110.2
R376	7030003560	S.RES ERJ3GEYJ 103 V (10K)	B	111.7/105.7
R377	7030003560	S.RES ERJ3GEYJ 103 V (10K)	T	110.2/74.1
R378	7030003560	S.RES ERJ3GEYJ 103 V (10K)	T	123.4/79.8
R381	7030003240	S.RES ERJ3GEYJ 220 V (22)	T	107.6/120.6
R382	7030003240	S.RES ERJ3GEYJ 220 V (22)	T	106.3/120.6
R383	7030003280	S.RES ERJ3GEYJ 470 V (47)	B	101.5/120.3
R385	7030003280	S.RES ERJ3GEYJ 470 V (47)	B	118.0/105.9
R386	7030003280	S.RES ERJ3GEYJ 470 V (47)	B	104.3/120.9
R387	7030003280	S.RES ERJ3GEYJ 470 V (47)	B	101.5/121.6
R388	7030003280	S.RES ERJ3GEYJ 470 V (47)	B	101.5/123.3
R389	7030003280	S.RES ERJ3GEYJ 470 V (47)	B	104.3/122.6
R390	7030003280	S.RES ERJ3GEYJ 470 V (47)	B	123.7/82.3
R391	7030003280	S.RES ERJ3GEYJ 470 V (47)	B	121.9/80.9
R392	7030003280	S.RES ERJ3GEYJ 470 V (47)	B	124.1/83.6
R393	7030003280	S.RES ERJ3GEYJ 470 V (47)	B	114.0/105.2
R394	7030003240	S.RES ERJ3GEYJ 220 V (22)	B	105.6/124.9
R401	7030003320	S.RES ERJ3GEYJ 101 V (100)	B	54.6/59.9
R403	7030003560	S.RES ERJ3GEYJ 103 V (10K)	B	31.2/50.7
R404	7030003560	S.RES ERJ3GEYJ 103 V (10K)	B	37.6/50.7
R405	7030003560	S.RES ERJ3GEYJ 103 V (10K)	B	24.5/56.5
R406	7030003560	S.RES ERJ3GEYJ 103 V (10K)	T	38.2/62.0
R407	7030003560	S.RES ERJ3GEYJ 103 V (10K)	T	35.6/62.0
R408	7030003560	S.RES ERJ3GEYJ 103 V (10K)	T	42.8/66.9
R409	7030003560	S.RES ERJ3GEYJ 103 V (10K)	T	37.6/72.1
R410	7030003560	S.RES ERJ3GEYJ 103 V (10K)	T	35.0/72.1
R411	7030003560	S.RES ERJ3GEYJ 103 V (10K)	T	38.9/72.1
R412	7030003560	S.RES ERJ3GEYJ 103 V (10K)	T	40.2/72.1
R413	7030003560	S.RES ERJ3GEYJ 103 V (10K)	T	41.5/72.1
R414	7030003560	S.RES ERJ3GEYJ 103 V (10K)	T	36.3/72.1
R415	7030003560	S.RES ERJ3GEYJ 103 V (10K)	B	40.3/41.3
R416	7030003560	S.RES ERJ3GEYJ 103 V (10K)	B	39.0/41.3
R417	7030003560	S.RES ERJ3GEYJ 103 V (10K)	B	37.7/41.3
R418	7030003320	S.RES ERJ3GEYJ 101 V (100)	B	50.8/97.6
R419	7030003440	S.RES ERJ3GEYJ 102 V (1K)	B	26.3/99.5
R420	7030003580	S.RES ERJ3GEYJ 153 V (15K)	B	24.7/98.1
R421	7030003470	S.RES ERJ3GEYJ 182 V (1.8K)	B	27.0/91.4
R422	7030003250	S.RES ERJ3GEYJ 270 V (27)	B	26.3/89.3
R423	7030003560	S.RES ERJ3GEYJ 103 V (10K)	B	29.3/105.2
R424	7030003560	S.RES ERJ3GEYJ 103 V (10K)	B	26.3/100.8
R425	7030003380	S.RES ERJ3GEYJ 331 V (330)	T	43.3/104.6
R426	7030003380	S.RES ERJ3GEYJ 331 V (330)	T	43.3/103.3
R427	7030003380	S.RES ERJ3GEYJ 331 V (330)	T	43.3/102.0
R428	7030003320	S.RES ERJ3GEYJ 101 V (100)	T	22.4/108.5
R429	7030003320	S.RES ERJ3GEYJ 101 V (100)	T	23.7/108.5
R430	7030003320	S.RES ERJ3GEYJ 101 V (100)	T	25.0/108.5
R431	7030003320	S.RES ERJ3GEYJ 101 V (100)	T	26.3/108.5
R432	7030003320	S.RES ERJ3GEYJ 101 V (100)	T	33.4/122.5
R433	7030003320	S.RES ERJ3GEYJ 101 V (100)	T	32.1/122.5
R434	7030003320	S.RES ERJ3GEYJ 101 V (100)	T	30.2/122.5
R435	7030003320	S.RES ERJ3GEYJ 101 V (100)	T	28.9/122.5
R436	7030003340	S.RES ERJ3GEYJ 151 V (150)	T	29.5/108.5
R437	7030003340	S.RES ERJ3GEYJ 151 V (150)	T	30.8/108.5
R438	7030003340	S.RES ERJ3GEYJ 151 V (150)	T	24.4/125.9
R439	7030003340	S.RES ERJ3GEYJ 151 V (150)	T	24.4/124.6
R440	7030003340	S.RES ERJ3GEYJ 151 V (150)	T	24.3/122.5
R441	7030003340	S.RES ERJ3GEYJ 151 V (150)	T	23.0/122.5
R442	7030003340	S.RES ERJ3GEYJ 151 V (150)	T	21.7/122.5
R443	7030003340	S.RES ERJ3GEYJ 151 V (150)	T	20.4/122.5
R450	7030003860	S.RES ERJ3GE JPW V	T	49.8/52.4
R451	7030003860	S.RES ERJ3GE JPW V	T	36.0/106.5
R501	7030003260	S.RES ERJ3GEYJ 330 V (33)	T	142.3/123.9
R502	7030003260	S.RES ERJ3GEYJ 330 V (33)	T	139.7/123.9
R503	7030003260	S.RES ERJ3GEYJ 330 V (33)	T	138.4/123.9
R504	7030003260	S.RES ERJ3GEYJ 330 V (33)	T	137.1/123.9
R505	7030003260	S.RES ERJ3GEYJ 330 V (33)	T	135.8/123.9
R506	7030003260	S.RES ERJ3GEYJ 330 V (33)	T	134.5/123.9
R507	7030003260	S.RES ERJ3GEYJ 330 V (33)	T	133.2/123.9
R508	7030003260	S.RES ERJ3GEYJ 330 V (33)	T	130.

[LOGIC UNIT] (For all models except [USA])

REF NO.	PARTS NO.	DESCRIPTION	M.	H/V LOCATION
R562	7030003340	S.RES ERJ3GEYJ 151 V (150)	B	156.9/29.6
R563	7030003340	S.RES ERJ3GEYJ 151 V (150)	B	155.3/29.6
R601	7030003590	S.RES ERJ3GEYJ 183 V (18K)	B	45.7/34.7
R602	7030003590	S.RES ERJ3GEYJ 183 V (18K)	B	50.3/37.1
R603	7030003560	S.RES ERJ3GEYJ 103 V (10K)	B	48.2/35.8
R604	7030003640	S.RES ERJ3GEYJ 473 V (47K)	B	50.3/34.3
R605	7030003680	S.RES ERJ3GEYJ 104 V (100K)	B	57.6/36.8
R606	7030003680	S.RES ERJ3GEYJ 104 V (100K)	B	59.0/36.8
R607	7030003350	S.RES ERJ3GEYJ 181 V (180)	B	102.5/29.3
R608	7030003520	S.RES ERJ3GEYJ 472 V (4.7K)	B	104.9/31.8
R609	7030003440	S.RES ERJ3GEYJ 102 V (1K)	T	95.6/34.7
R610	7030003440	S.RES ERJ3GEYJ 102 V (1K)	T	95.6/37.3
R611	7030003440	S.RES ERJ3GEYJ 102 V (1K)	T	95.6/39.9
R612	7030003440	S.RES ERJ3GEYJ 102 V (1K)	T	95.6/42.5
R613	7030003860	S.RES ERJ3GE JPW V	T	95.6/45.1
R614	7030003440	S.RES ERJ3GEYJ 102 V (1K)	B	88.0/41.7
R621	7030003800	S.RES ERJ3GEYJ 105 V (1M)	T	99.0/42.5
R622	7030003800	S.RES ERJ3GEYJ 105 V (1M)	T	99.0/39.9
R623	7030003800	S.RES ERJ3GEYJ 105 V (1M)	T	99.0/37.3
R624	7030003800	S.RES ERJ3GEYJ 105 V (1M)	T	99.0/34.7
R625	7030003800	S.RES ERJ3GEYJ 105 V (1M)	B	85.4/41.7
R626	7030003640	S.RES ERJ3GEYJ 473 V (47K)	B	88.0/43.1
R627	7030003640	S.RES ERJ3GEYJ 473 V (47K)	B	82.0/51.5
R628	7030003640	S.RES ERJ3GEYJ 473 V (47K)	B	82.0/50.1
R629	7030003640	S.RES ERJ3GEYJ 473 V (47K)	B	86.0/50.0
R630	7030003520	S.RES ERJ3GEYJ 472 V (4.7K)	B	83.4/47.5
R631	7030003520	S.RES ERJ3GEYJ 472 V (4.7K)	T	82.1/42.1
R632	7030003520	S.RES ERJ3GEYJ 472 V (4.7K)	T	82.1/46.0
R633	7030003520	S.RES ERJ3GEYJ 472 V (4.7K)	T	82.1/43.4
R634	7030003520	S.RES ERJ3GEYJ 472 V (4.7K)	B	82.0/48.8
R635	7030003520	S.RES ERJ3GEYJ 472 V (4.7K)	T	82.1/44.7
R636	7030003640	S.RES ERJ3GEYJ 473 V (47K)	B	72.0/35.8
R637	7030003640	S.RES ERJ3GEYJ 473 V (47K)	B	78.4/34.0
R639	7030003640	S.RES ERJ3GEYJ 473 V (47K)	T	113.8/34.0
R640	7030003640	S.RES ERJ3GEYJ 473 V (47K)	T	112.5/34.0
R641	7030003640	S.RES ERJ3GEYJ 473 V (47K)	T	111.2/34.0
R642	7030003640	S.RES ERJ3GEYJ 473 V (47K)	T	109.9/34.0
R643	7030003600	S.RES ERJ3GEYJ 223 V (22K)	B	69.9/55.4
R644	7030003560	S.RES ERJ3GEYJ 103 V (10K)	B	68.6/55.4
R645	7030003520	S.RES ERJ3GEYJ 472 V (4.7K)	T	109.3/56.3
R646	7030003720	S.RES ERJ3GEYJ 224 V (220K)	B	116.5/56.6
R647	7030003720	S.RES ERJ3GEYJ 224 V (220K)	B	117.5/59.2
R648	7030003720	S.RES ERJ3GEYJ 224 V (220K)	B	118.5/56.6
R649	7030003720	S.RES ERJ3GEYJ 224 V (220K)	B	119.5/59.2
R650	7030003720	S.RES ERJ3GEYJ 224 V (220K)	B	120.5/56.6
R651	7030003720	S.RES ERJ3GEYJ 224 V (220K)	B	121.5/59.2
R652	7030003720	S.RES ERJ3GEYJ 224 V (220K)	B	122.5/56.6
R653	7030003720	S.RES ERJ3GEYJ 224 V (220K)	B	123.5/59.2
R654	7030003520	S.RES ERJ3GEYJ 472 V (4.7K)	B	117.5/54.3
R655	7030003520	S.RES ERJ3GEYJ 472 V (4.7K)	B	117.5/52.8
R658	7030003640	S.RES ERJ3GEYJ 473 V (47K)	T	99.0/45.1
R661	7030003640	S.RES ERJ3GEYJ 473 V (47K)	T	70.2/27.4
R662	7030003720	S.RES ERJ3GEYJ 224 V (220K)	B	66.0/30.2
R663	7030003640	S.RES ERJ3GEYJ 473 V (47K)	B	66.0/27.3
R664	7030003640	S.RES ERJ3GEYJ 473 V (47K)	B	66.0/26.0
R665	7030003640	S.RES ERJ3GEYJ 473 V (47K)	B	66.0/28.6
R666	7030003640	S.RES ERJ3GEYJ 473 V (47K)	B	71.2/18.3
R667	7030003720	S.RES ERJ3GEYJ 224 V (220K)	B	68.5/21.3
R668	7030003640	S.RES ERJ3GEYJ 473 V (47K)	B	67.2/21.3
R669	7030003640	S.RES ERJ3GEYJ 473 V (47K)	B	63.0/33.0
R670	7030003640	S.RES ERJ3GEYJ 473 V (47K)	B	72.5/18.3
R671	7030003640	S.RES ERJ3GEYJ 473 V (47K)	B	86.5/9.3
R672	7030003640	S.RES ERJ3GEYJ 473 V (47K)	B	83.9/10.9
R673	7030003640	S.RES ERJ3GEYJ 473 V (47K)	B	74.7/16.4
R674	7030003640	S.RES ERJ3GEYJ 473 V (47K)	B	77.9/12.3
R675	7030003640	S.RES ERJ3GEYJ 473 V (47K)	B	76.5/13.8
R676	7030003640	S.RES ERJ3GEYJ 473 V (47K)	B	79.2/12.3
R677	7030003640	S.RES ERJ3GEYJ 473 V (47K)	B	80.5/12.3
R678	7030003560	S.RES ERJ3GEYJ 103 V (10K)	B	115.9/49.7
R679	7030003560	S.RES ERJ3GEYJ 103 V (10K)	B	76.5/15.6
R680	7030003440	S.RES ERJ3GEYJ 102 V (1K)	T	155.9/77.4
R682	7030003520	S.RES ERJ3GEYJ 472 V (4.7K)	T	46.1/28.7
R691	7030003640	S.RES ERJ3GEYJ 473 V (47K)	B	80.8/46.3
R701	7030003860	S.RES ERJ3GE JPW V	T	109.3/59.1
R801	7030010610	S.RES ERJ1TYJ 470U (47)	B	171.0/35.2
R802	7030010910	S.RES ERJ1TYJ 150U (15)	B	36.1/3.3
R803	7030010910	S.RES ERJ1TYJ 150U (15)	B	36.1/7.0
R804	7030010950	S.RES ERJ1TYJ 100U (10)	B	181.4/141.4
R805	7030010410	S.RES ERJ1TYJ 220U (22)	B	49.2/140.5
R806	7030010410	S.RES ERJ1TYJ 220U (22)	B	49.2/136.8
R813	7030003560	S.RES ERJ3GEYJ 103 V (10K)	T	184.1/79.0
R871	7030003320	S.RES ERJ3GEYJ 101 V (100)	T	43.4/39.7
R872	7030003320	S.RES ERJ3GEYJ 101 V (100)	T	44.1/31.5
R873	7030003320	S.RES ERJ3GEYJ 101 V (100)	T	44.7/39.7
R874	7030003320	S.RES ERJ3GEYJ 101 V (100)	T	45.4/31.5
R875	7030003320	S.RES ERJ3GEYJ 101 V (100)	T	46.0/39.7
R876	7030003320	S.RES ERJ3GEYJ 101 V (100)	T	46.7/31.5
R877	7030003320	S.RES ERJ3GEYJ 101 V (100)	T	47.3/39.7
R878	7030003320	S.RES ERJ3GEYJ 101 V (100)	T	48.0/31.5
R879	7030003320	S.RES ERJ3GEYJ 101 V (100)	T	48.6/39.7
R880	7030003320	S.RES ERJ3GEYJ 101 V (100)	T	49.3/31.5
R881	7030003320	S.RES ERJ3GEYJ 101 V (100)	T	49.9/39.7
R882	7030003320	S.RES ERJ3GEYJ 101 V (100)	T	50.6/31.5
R883	7030003320	S.RES ERJ3GEYJ 101 V (100)	T	51.2/39.7
R884	7030003320	S.RES ERJ3GEYJ 101 V (100)	T	51.9/31.5
R885	7030003320	S.RES ERJ3GEYJ 101 V (100)	T	52.5/39.7
R886	7030003320	S.RES ERJ3GEYJ 101 V (100)	T	53.2/31.5
R887	7030003320	S.RES ERJ3GEYJ 101 V (100)	T	53.8/39.7
R888	7030003320	S.RES ERJ3GEYJ 101 V (100)	T	55.1/39.7
R889	7030003320	S.RES ERJ3GEYJ 101 V (100)	T	54.5/31.5
R890	7030003320	S.RES ERJ3GEYJ 101 V (100)	T	56.4/39.7
R891	7030003320	S.RES ERJ3GEYJ 101 V (100)	T	55.8/31.5
R892	7030003320	S.RES ERJ3GEYJ 101 V (100)	T	57.7/39.7
R893	7030003320	S.RES ERJ3GEYJ 101 V (100)	T	57.1/31.5
R894	7030003320	S.RES ERJ3GEYJ 101 V (100)	T	59.0/39.7

[LOGIC UNIT] (For all models except [USA])

REF NO.	PARTS NO.	DESCRIPTION	M.	H/V LOCATION
R895	7030003860	S.RES ERJ3GE JPW V	T	58.4/31.5
R896	7030003860	S.RES ERJ3GE JPW V	T	60.3/39.7
R897	7030003860	S.RES ERJ3GE JPW V	T	59.7/31.5
R901	7030003200	S.RES ERJ3GEYJ 100 V (10)	T	8.7/120.0
R902	7030003860	S.RES ERJ3GE JPW V	T	44.2/38.3
R903	7030003360	S.RES ERJ3GEYJ 221 V (220)	T	8.7/118.7
R904	7030003360	S.RES ERJ3GEYJ 221 V (220)	B	4.2/171.9
R905	7030003360	S.RES ERJ3GEYJ 221 V (220)	T	8.7/117.4
R906	7030003360	S.RES ERJ3GEYJ 221 V (220)	B	4.2/116.6
R907	7030003440	S.RES ERJ3GEYJ 102 V (1K)	T	8.7/116.1
R908	7030003860	S.RES ERJ3GE JPW V	T	9.0/113.0
R909	7030003860	S.RES ERJ3GE JPW V	T	9.0/114.3
R910	7030003860	S.RES ERJ3GE JPW V	T	9.0/111.7
R911	7030003860	S.RES ERJ3GE JPW V	T	9.1/133.0
R912	7030003860	S.RES ERJ3GE JPW V	T	9.1/131.7
R913	7030003860	S.RES ERJ3GE JPW V	T	9.1/130.4
R914	7030003860	S.RES ERJ3GE JPW V	T	9.1/129.1
R915	7030003440	S.RES ERJ3GEYJ 102 V (1K)	B	10.3/129.9
R916	7030003440	S.RES ERJ3GEYJ 102 V (1K)	B	4.1/128.2
R917	7030003440	S.RES ERJ3GEYJ 102 V (1K)	B	7.6/132.1
R918	7030003440	S.RES ERJ3GEYJ 102 V (1K)	B	4.1/126.9
R919	7030003440	S.RES ERJ3GEYJ 102 V (1K)	B	9.3/125.6
R920	7030003440	S.RES ERJ3GEYJ 102 V (1K)	B	4.1/125.6
R921	7030003440	S.RES ERJ3GEYJ 102 V (1K)	B	9.0/129.9
R922	7030003440	S.RES ERJ3GEYJ 102 V (1K)	B	4.1/124.3
R923	7030003440	S.RES ERJ3GEYJ 102 V (1K)	T	8.6/125.0
R924	7030003440	S.RES ERJ3GEYJ 102 V (1K)	B	4.1/123.0
R925	7030003440	S.RES ERJ3GEYJ 102 V (1K)	T	8.7/122.3
R926	7030003440	S.RES ERJ3GEYJ 102 V (1K)	B	4.1/121.7
R927	7030003440	S.RES ERJ3GEYJ 102 V (1K)	B	4.1/129.5
R928	7030003860	S.RES ERJ3GE JPW V	T	9.0/110.4
R929	7030003860	S.RES ERJ3GE JPW V	T	9.0/109.1
R930	7030003360	S.RES ERJ3GEYJ 221 V (220)	T	8.7/106.6
R931	7030003860	S.RES ERJ3GE JPW V	T	62.6/140.9
R932	7030003860	S.RES ERJ3GE JPW V	T	64.6/140.9
R933	7030003360	S.RES ERJ3GEYJ 221 V (220)	T	8.7/104.0
R938	7030003520	S.RES ERJ3GEYJ 472 V (4.7K)	T	79.3/135.5
R939	7030003520	S.RES ERJ3GEYJ 472 V (4.7K)	T	79.4/136.9
R940	7030003560	S.RES ERJ3GEYJ 103 V (10K)	T	78.8/140.1
R941	7030003320	S.RES ERJ3GEYJ 101 V (100)	T	80.1/141.3
R942	7030003320	S.RES ERJ3GEYJ 101 V (100)	T	83.2/140.9
R943	7030003320	S.RES ERJ3GEYJ 101 V (100)	T	84.5/140.9
R944	7030003320	S.RES ERJ3GEYJ 101 V (100)	T	85.8/140.9
R945	7030003320	S.RES ERJ3GEYJ 101 V (100)	T	87.1/140.9
R946	7030003320	S.RES ERJ3GEYJ 101 V (100)	T	88.4/140.9
R947	7030003320	S.RES ERJ3GEYJ 101 V (100)	T	89.7/140.9
R948	7030003320	S.RES ERJ3GEYJ 101 V (100)	T	91.0/140.9
R949	7030003200	S.RES ERJ3GEYJ 100 V (10)	T	106.2/140.9
R950	7030003200	S.RES ERJ3GEYJ 100 V (10)	T	104.9/140.9
R951	7030003200	S.RES ERJ3GEYJ 100 V (10)	T	103.6/140.9
R952	7030003200	S.RES ERJ3GEYJ 100 V (10)	T	102.3/140.9
R953	7030003200	S.RES ERJ3GEYJ 100 V (10)	T	101.0/140.9
R960	7030003440	S.RES ERJ3GEYJ 102 V (1K)	T	27.9/18.7
R961	7030003440	S.RES ERJ3GEYJ 102 V (1K)	T	31.0/19.4
R962	7030003440	S.RES ERJ3GEYJ 102 V (1K)	T	33.6/19.4
R964	7030003200	S.RES ERJ3GEYJ 100 V (10)	T	177.4/16.2
R965	7030003200	S.RES ERJ3GEYJ 100 V (10)	T	177.4/17.6
R966	7030003360	S.RES ERJ3GEYJ 221 V (220)	T	180.0/21.2
R967	7030003360	S.RES ERJ3GEYJ 221 V (220)	T	177.3/21.9
R968	7030003360	S.RES ERJ3GEYJ 221 V (220)	T	180.0/22.6
R969	7030003200	S.RES ERJ3GEYJ 100 V (10)	T	180.0/19.8
R970	7030003440	S.RES ERJ3GEYJ 102 V (1K)	T	29.7/19.4
R971	7030003440	S.RES ERJ3GEYJ 102 V (1K)	T	32.3/19.4
R972	7030003440	S.RES ERJ3GEYJ 102 V (1K)	T	34.9/19.4
R974	7030003200	S.RES ERJ3GEYJ 100 V (10)	T	180.0/16.9
R975	7030003200	S.RES ERJ3GEYJ 100 V (10)	T	180.0/18.3
R976	7030003360	S.RES ERJ3GEYJ 221 V (220)	T	177.4/20.5
R977	7030003360	S.RES ERJ3GEYJ 221 V (220)	T	177.3/23.3
R978	7030003360	S.RES ERJ3GEYJ 221 V (220)	T	183.2/126.0
R979	7030003360	S.RES ERJ3GEYJ 221 V (220)	T	180.6/125.0
R980	7030003360	S.RES ERJ3GEYJ 221 V (220)	T	183.2/124.0
R981	7030003360	S.RES ERJ3GEYJ 221 V (220)	T	180.7/123.0
R982	7030007230	S.RES ERA3YED 102V (1K)	T	33.4/140.9
R983	7030003440	S.RES ERJ3GEYJ 102 V (1K)	T	

[LOGIC UNIT] (For all models except [USA])

REF NO.	PARTS NO.	DESCRIPTION	M.	H/V LOCATION
R1022	7030003380	S.RES ERJ3GEYJ 331 V (330)	B	32.1/133.6
R1023	7030003540	S.RES ERJ3GEYJ 682 V (6.8K)	B	23.4/121.4
R1031	7030010900	S.RES ERJ3GEYJ 750 V (75)	T	167.2/120.8
R1032	7030003440	S.RES ERJ3GEYJ 102 V (1K)	T	153.7/140.0
R1033	7030003320	S.RES ERJ3GEYJ 101 V (100)	T	170.9/131.9
R1034	7030003590	S.RES ERJ3GEYJ 183 V (18K)	T	171.5/135.2
R1036	7030003320	S.RES ERJ3GEYJ 101 V (100)	T	171.5/139.0
R1037	7030010900	S.RES ERJ3GEYJ 750 V (75)	T	171.5/140.3
R1038	7030003240	S.RES ERJ3GEYJ 220 V (22)	T	169.4/136.3
R1101	7030003280	S.RES ERJ3GEYJ 470 V (47)	T	18.9/29.8
R1102	7030003280	S.RES ERJ3GEYJ 470 V (47)	T	5.2/15.3
R1103	7030003280	S.RES ERJ3GEYJ 470 V (47)	B	6.2/13.7
R1104	7030003280	S.RES ERJ3GEYJ 470 V (47)	T	8.0/16.5
R1105	7030003280	S.RES ERJ3GEYJ 470 V (47)	T	8.0/15.3
R1106	7030003280	S.RES ERJ3GEYJ 470 V (47)	T	8.0/20.3
R1107	7030003280	S.RES ERJ3GEYJ 470 V (47)	T	7.3/25.0
R1108	7030003280	S.RES ERJ3GEYJ 470 V (47)	T	9.3/24.4
R1109	7030003280	S.RES ERJ3GEYJ 470 V (47)	T	18.9/35.4
R1110	7030003280	S.RES ERJ3GEYJ 470 V (47)	T	16.1/36.1
R1111	7030003280	S.RES ERJ3GEYJ 470 V (47)	T	18.9/36.8
R1112	7030003280	S.RES ERJ3GEYJ 470 V (47)	T	16.1/37.5
R1113	7030003280	S.RES ERJ3GEYJ 470 V (47)	T	18.9/38.2
R1114	7030003280	S.RES ERJ3GEYJ 470 V (47)	T	16.1/38.9
R1115	7030003280	S.RES ERJ3GEYJ 470 V (47)	T	18.9/39.6
R1116	7030003280	S.RES ERJ3GEYJ 470 V (47)	T	16.1/40.3
R1117	7030003280	S.RES ERJ3GEYJ 470 V (47)	T	18.9/41.0
R1118	7030003280	S.RES ERJ3GEYJ 470 V (47)	T	16.1/41.7
R1119	7030003280	S.RES ERJ3GEYJ 470 V (47)	T	18.9/42.4
R1120	7030003280	S.RES ERJ3GEYJ 470 V (47)	T	16.1/43.1
R1121	7030003280	S.RES ERJ3GEYJ 470 V (47)	T	18.9/43.8
R1122	7030003280	S.RES ERJ3GEYJ 470 V (47)	T	16.1/44.5
R1123	7030003280	S.RES ERJ3GEYJ 470 V (47)	T	18.9/45.2
R1124	7030003280	S.RES ERJ3GEYJ 470 V (47)	T	16.1/47.2
R1125	7030003280	S.RES ERJ3GEYJ 470 V (47)	T	18.9/47.9
R1126	7030003280	S.RES ERJ3GEYJ 470 V (47)	T	16.1/48.6
R1127	7030003280	S.RES ERJ3GEYJ 470 V (47)	T	18.9/49.3
R1128	7030003280	S.RES ERJ3GEYJ 470 V (47)	T	16.1/50.0
R1129	7030003280	S.RES ERJ3GEYJ 470 V (47)	T	18.9/50.7
R1130	7030003280	S.RES ERJ3GEYJ 470 V (47)	T	16.1/51.4
R1131	7030003280	S.RES ERJ3GEYJ 470 V (47)	T	18.9/52.1
R1132	7030003280	S.RES ERJ3GEYJ 470 V (47)	T	16.1/52.8
R1133	7030003280	S.RES ERJ3GEYJ 470 V (47)	T	18.9/53.5
R1134	7030003280	S.RES ERJ3GEYJ 470 V (47)	T	16.1/54.2
R1135	7030003280	S.RES ERJ3GEYJ 470 V (47)	T	18.9/54.9
R1136	7030003280	S.RES ERJ3GEYJ 470 V (47)	T	16.1/55.6
R1137	7030003280	S.RES ERJ3GEYJ 470 V (47)	T	18.9/56.3
R1138	7030003280	S.RES ERJ3GEYJ 470 V (47)	T	16.1/57.0
R1139	7030003280	S.RES ERJ3GEYJ 470 V (47)	T	18.9/57.7
R1140	7030003280	S.RES ERJ3GEYJ 470 V (47)	T	16.1/58.4
R1141	7030003280	S.RES ERJ3GEYJ 470 V (47)	T	18.9/59.1
R1142	7030003280	S.RES ERJ3GEYJ 470 V (47)	T	16.1/59.8
R1143	7030003280	S.RES ERJ3GEYJ 470 V (47)	T	18.9/60.5
R1144	7030003280	S.RES ERJ3GEYJ 470 V (47)	T	16.1/61.2
R1145	7030003280	S.RES ERJ3GEYJ 470 V (47)	T	18.9/61.9
R1146	7030003280	S.RES ERJ3GEYJ 470 V (47)	T	16.1/62.6
R1151	7030003290	S.RES ERJ3GEYJ 560 V (56)	T	175.5/96.6
R1152	7030003320	S.RES ERJ3GEYJ 101 V (100)	T	172.2/95.9
R1153	7030003320	S.RES ERJ3GEYJ 101 V (100)	T	175.5/95.2
R1154	7030003320	S.RES ERJ3GEYJ 101 V (100)	T	172.2/94.5
R1155	7030003320	S.RES ERJ3GEYJ 101 V (100)	T	175.5/93.8
R1156	7030003320	S.RES ERJ3GEYJ 101 V (100)	T	172.2/93.1
R1157	7030003320	S.RES ERJ3GEYJ 101 V (100)	T	175.5/92.4
R1158	7030003320	S.RES ERJ3GEYJ 101 V (100)	T	172.2/91.7
R1159	7030003320	S.RES ERJ3GEYJ 101 V (100)	T	175.5/91.0
R1160	7030003320	S.RES ERJ3GEYJ 101 V (100)	T	172.2/90.3
R1161	7030003320	S.RES ERJ3GEYJ 101 V (100)	T	175.5/89.6
R1162	7030003320	S.RES ERJ3GEYJ 101 V (100)	T	172.2/88.9
R1163	7030003320	S.RES ERJ3GEYJ 101 V (100)	T	175.5/88.2
R1164	7030003320	S.RES ERJ3GEYJ 101 V (100)	T	172.2/87.5
R1165	7030003320	S.RES ERJ3GEYJ 101 V (100)	T	175.5/86.8
R1166	7030003320	S.RES ERJ3GEYJ 101 V (100)	T	172.2/86.1
R1167	7030003320	S.RES ERJ3GEYJ 101 V (100)	T	175.5/85.4
R1168	7030003320	S.RES ERJ3GEYJ 101 V (100)	T	172.2/84.7
R1169	7030003320	S.RES ERJ3GEYJ 101 V (100)	T	175.5/84.0
R1170	7030003320	S.RES ERJ3GEYJ 101 V (100)	T	178.0/82.0
R1301	7030003860	S.RES ERJ3GE JPW V	T	6.5/10.0
R1302	7030003860	S.RES ERJ3GE JPW V	T	5.2/15.2
R1303	7030003860	S.RES ERJ3GE JPW V	B	6.0/13.8
R1304	7030003860	S.RES ERJ3GE JPW V	T	8.0/16.5
R1305	7030003860	S.RES ERJ3GE JPW V	T	8.0/15.2
R1306	7030003860	S.RES ERJ3GE JPW V	T	8.0/20.3
R1307	7030003860	S.RES ERJ3GE JPW V	T	7.3/25.1
R1401	7030003360	S.RES ERJ3GEYJ 221 V (220)	T	121.15/27.25
R1402	7030003360	S.RES ERJ3GEYJ 221 V (220)	T	122.6/27.3
R1403	7030003360	S.RES ERJ3GEYJ 221 V (220)	T	124.0/27.3
R1404	7030003360	S.RES ERJ3GEYJ 221 V (220)	T	125.4/27.3
R1405	7030003360	S.RES ERJ3GEYJ 221 V (220)	T	126.8/27.3
R1406	7030003360	S.RES ERJ3GEYJ 221 V (220)	T	128.2/27.3
R1407	7030003360	S.RES ERJ3GEYJ 221 V (220)	T	129.6/27.3
R1408	7030003360	S.RES ERJ3GEYJ 221 V (220)	T	131.0/27.3
R1409	7030003360	S.RES ERJ3GEYJ 221 V (220)	T	132.4/27.3
R1410	7030003360	S.RES ERJ3GEYJ 221 V (220)	T	133.8/27.3
R1411	7030003360	S.RES ERJ3GEYJ 221 V (220)	T	135.2/27.3
C1	4030011600	S.CER C1608 JB 1E 104K-T	B	84.4/98.3
C2	4030011600	S.CER C1608 JB 1E 104K-T	B	205.2/23.0
C3	4030011600	S.CER C1608 JB 1E 104K-T	B	89.1/61.9
C4	4030011600	S.CER C1608 JB 1E 104K-T	B	99.3/60.1
C5	4030011600	S.CER C1608 JB 1E 104K-T	B	89.1/58.3
C6	4030011600	S.CER C1608 JB 1E 104K-T	B	52.7/75.2
C7	4030011600	S.CER C1608 JB 1E 104K-T	B	89.8/75.2
C8	4030011600	S.CER C1608 JB 1E 104K-T	B	94.8/70.6
C9	4030011600	S.CER C1608 JB 1E 104K-T	B	94.6/51.9
C10	4030011600	S.CER C1608 JB 1E 104K-T	B	40.6/26.5

[LOGIC UNIT] (For all models except [USA])

REF NO.	PARTS NO.	DESCRIPTION	M.	H/V LOCATION
C11	4030011600	S.CER C1608 JB 1E 104K-T	B	63.2/28.3
C12	4030011600	S.CER C1608 JB 1E 104K-T	B	90.4/51.9
C13	4030011600	S.CER C1608 JB 1E 104K-T	B	11.0/18.5
C14	4030011600	S.CER C1608 JB 1E 104K-T	T	74.25/106.7
C51	4030011600	S.CER C1608 JB 1E 104K-T	B	120.2/69.7
C52	4030011600	S.CER C1608 JB 1E 104K-T	B	110.7/61.1
C53	4030011600	S.CER C1608 JB 1E 104K-T	B	107.8/61.1
C54	4030011600	S.CER C1608 JB 1E 104K-T	B	121.7/66.2
C55	4030011600	S.CER C1608 JB 1E 104K-T	B	123.4/78.9
C56	4030011600	S.CER C1608 JB 1E 104K-T	B	128.7/80.9
C57	4030011600	S.CER C1608 JB 1E 104K-T	B	142.2/75.7
C58	4030011600	S.CER C1608 JB 1E 104K-T	B	142.2/73.1
C59	4030011600	S.CER C1608 JB 1E 104K-T	B	132.3/60.8
C60	4030011600	S.CER C1608 JB 1E 104K-T	B	126.3/61.1
C61	4030009990	S.CER C1608 CH 1H 200J-T	T	164.0/101.1
C62	4030011600	S.CER C1608 JB 1E 104K-T	T	157.9/51.8
C63	4030008890	S.CER C1608 JB 1H 273K-T	T	162.5/51.8
C64	4030011600	S.CER C1608 JB 1E 104K-T	T	164.7/53.7
C65	4030011600	S.CER C1608 JB 1E 104K-T	T	115.1/52.0
C101	4030011600	S.CER C1608 JB 1E 104K-T	T	39.1/86.9
C102	4030011600	S.CER C1608 JB 1E 104K-T	B	58.0/63.2
C103	4030011600	S.CER C1608 JB 1E 104K-T	B	61.9/93.1
C104	4030011600	S.CER C1608 JB 1E 104K-T	B	61.6/73.8
C105	4030011600	S.CER C1608 JB 1E 104K-T	B	64.2/86.0
C106	4030011600	S.CER C1608 JB 1E 104K-T	B	61.6/72.5
C107	4030011600	S.CER C1608 JB 1E 104K-T	B	66.8/72.5
C108	4030011600	S.CER C1608 JB 1E 104K-T	B	72.5/72.5
C109	4030011600	S.CER C1608 JB 1E 104K-T	B	74.3/75.9
C110	4030011600	S.CER C1608 JB 1E 104K-T	B	61.6/83.0
C111	4550007520	S.TAN F931A106MAABMA	B	72.5/63.8
C112	4030011600	S.CER C1608 JB 1E 104K-T	B	73.7/65.5
C113	4550007520	S.TAN F931A106MAABMA	B	78.3/63.8
C114	4030011600	S.CER C1608 JB 1E 104K-T	B	76.8/65.5
C115	4550007520	S.TAN F931A106MAABMA	B	83.6/63.8
C116	4030011600	S.CER C1608 JB 1E 104K-T	B	79.7/65.5
C117	4030011600	S.CER C1608 JB 1E 104K-T	B	61.6/86.0
C118	4030011600	S.CER C1608 JB 1E 104K-T	B	61.6/76.4
C119	4030011600	S.CER C1608 JB 1E 104K-T	B	61.6/84.4
C120	4030011600	S.CER C1608 JB 1E 104K-T	B	74.3/84.4
C121	4030011600	S.CER C1608 JB 1E 104K-T	B	72.6/85.3
C122	4030011600	S.CER C1608 JB 1E 104K-T	B	71.3/85.3
C123	4030006860	S.CER C1608 JB 1H 102K-T	B	72.0/93.1
C124	4030011600	S.CER C1608 JB 1E 104K-T	B	66.8/86.0
C125	4030011600	S.CER C1608 JB 1E 104K-T	B	69.4/86.0
C126	4030011600	S.CER C1608 JB 1E 104K-T	B	61.6/81.7
C127	4030011600	S.CER C1608 JB 1E 104K-T	B	58.0/65.8
C128	4030011600	S.CER C1608 JB 1E 104K-T	B	67.0/65.8
C129	4030011600	S.CER C1608 JB 1E 104K-T	B	60.8/79.9
C130	4030011600	S.CER C1608 JB 1E 104K-T	B	74.3/81.8
C131	4030011600	S.CER C1608 JB 1E 104K-T	B	81.2/83.7
C132	4030011600	S.CER C1608 JB 1E 104K-T	B	74.3/78.7
C133	4030011600	S.CER C1608 JB 1E 104K-T	B	61.9/66.0
C134	4030011600	S.CER C1608 JB 1E 104K-T	B	54.0/73.7
C135	4030011600	S.CER C1608 JB 1E 104K-T	B	61.6/75.1
C136	4030011600	S.CER C1608 JB 1E 104K-T	B	69.4/72.5
C137	4030011600	S.CER C1608 JB 1E 104K-T	B	64.2/72.5
C138	4030011600	S.CER C1608 JB 1E 104K-T	B	69.4/84.4
C139	4030011600	S.CER C1608 JB 1E 104K-T	B	74.3/73.3
C140	4030006900	S.CER C1608 JB 1H 103K-T	B	81.2/73.6
C141	4030011600	S.CER C1608 JB 1E 104K-T	T	79.1/53.7
C142	4030011600	S.CER C1608 JB 1E 104K-T	T	91.4/47.0
C143	4050000290	S.FEE CNF10R102S-TM	T	19.4/89.2
C144	4030011600	S.CER C1608 JB 1E 104K-T	T	27.3/75.7
C145	4030007100	S.CER C1608 CH 1H 560J-T	T	24.2/73.5
C146	4030008560	S.CER C1608 CH 1H 300J-T	T	22.2/77.1
C147	4030007060	S.CER C1608 CH 1H 270J-T	T	21.7/74.9
C148	4030011600	S.CER C1608 JB 1E 104K-T	T	21.4/85.6
C149	4030011600	S.CER C1608 JB 1E 104K-T	T	23.3/90.2
C150	4030007130	S.CER C1608 CH 1H 101J-T	T	26.0/75.7
C151	4030007130	S.CER C1608 CH 1H 101J-T	T	20.1/85.6
C152	4030007130	S.CER C1608 CH 1H 101J-T	T	52.4/100.4
C153	4030007130	S.CER C1608 CH 1H 101J-T	T	41.7/86.9
C154	4030007130	S.CER C1608 CH 1H 101J-T	T	24.8/88.9
C155	4030			

[LOGIC UNIT] (For all models except [USA])

REF NO.	PARTS NO.	DESCRIPTION	M.	H/V LOCATION
C215	4030011600	S.CER C1608 JB 1E 104K-T	B	104.1/105.4
C216	4030011600	S.CER C1608 JB 1E 104K-T	B	100.3/86.6
C217	4030011600	S.CER C1608 JB 1E 104K-T	B	106.3/94.7
C218	4030011600	S.CER C1608 JB 1E 104K-T	B	106.8/87.6
C219	4030011600	S.CER C1608 JB 1E 104K-T	B	109.4/87.6
C220	4030011600	S.CER C1608 JB 1E 104K-T	B	105.5/87.6
C221	4030011600	S.CER C1608 JB 1E 104K-T	B	111.3/81.6
C222	4030011600	S.CER C1608 JB 1E 104K-T	B	109.1/104.4
C223	4030011600	S.CER C1608 JB 1E 104K-T	B	105.5/98.5
C224	4030011600	S.CER C1608 JB 1E 104K-T	B	100.3/98.8
C225	4030011600	S.CER C1608 JB 1E 104K-T	B	106.3/92.1
C226	4030011600	S.CER C1608 JB 1E 104K-T	B	106.3/90.8
C227	4030011600	S.CER C1608 JB 1E 104K-T	B	111.4/87.6
C228	4030011600	S.CER C1608 JB 1E 104K-T	B	106.3/89.5
C229	4030011600	S.CER C1608 JB 1E 104K-T	B	116.1/104.4
C230	4030011600	S.CER C1608 JB 1E 104K-T	B	112.0/98.3
C231	4030011600	S.CER C1608 JB 1E 104K-T	B	117.2/98.6
C232	4030011600	S.CER C1608 JB 1E 104K-T	B	106.3/96.0
C233	4030011600	S.CER C1608 JB 1E 104K-T	B	117.2/92.1
C234	4030011600	S.CER C1608 JB 1E 104K-T	B	114.0/87.6
C235	4030011600	S.CER C1608 JB 1E 104K-T	B	116.9/81.4
C236	4030011600	S.CER C1608 JB 1E 104K-T	B	117.2/97.3
C237	4030011600	S.CER C1608 JB 1E 104K-T	B	117.2/96.0
C238	4030011600	S.CER C1608 JB 1E 104K-T	B	117.2/94.7
C239	4030011600	S.CER C1608 JB 1E 104K-T	B	100.3/96.2
C240	4030011600	S.CER C1608 JB 1E 104K-T	B	117.2/90.8
C241	4030011600	S.CER C1608 JB 1E 104K-T	B	117.2/89.5
C242	4030011600	S.CER C1608 JB 1E 104K-T	B	117.9/87.6
C243	4030011600	S.CER C1608 JB 1E 104K-T	B	116.6/87.6
C244	4030011600	S.CER C1608 JB 1E 104K-T	B	106.3/93.4
C245	4030011600	S.CER C1608 JB 1E 104K-T	B	106.8/98.3
C246	4030011600	S.CER C1608 JB 1E 104K-T	B	117.2/93.4
C247	4030011600	S.CER C1608 JB 1E 104K-T	B	114.1/98.3
C248	4030011600	S.CER C1608 JB 1E 104K-T	B	115.3/87.6
C249	4030011600	S.CER C1608 JB 1E 104K-T	B	108.1/87.6
C250	4030007050	S.CER C1608 CH 1H 220J-T	T	117.8/106.3
C251	4030007050	S.CER C1608 CH 1H 220J-T	T	115.2/106.3
C252	4030006990	S.CER C1608 CH 1H 080D-T	T	114.8/79.8
C253	4030006990	S.CER C1608 CH 1H 080D-T	T	116.1/79.8
C254	4030006900	S.CER C1608 JB 1H 103K-T	T	98.5/100.4
C255	4510008520	S.ELE EEE1CA470SP	T	115.9/116.9
C256	4030006900	S.CER C1608 JB 1H 103K-T	T	97.6/82.8
C257	4510007130	S.ELE EEFCDJ 470R	T	93.2/81.3
C258	4030011600	S.CER C1608 JB 1E 104K-T	T	99.0/75.1
C259	4030011600	S.CER C1608 JB 1E 104K-T	B	100.3/91.9
C260	4030011600	S.CER C1608 JB 1E 104K-T	B	122.9/139.7
C261	4030011600	S.CER C1608 JB 1E 104K-T	B	121.6/139.7
C262	4030011600	S.CER C1608 JB 1E 104K-T	B	114.4/141.0
C263	4030011600	S.CER C1608 JB 1E 104K-T	B	109.2/131.5
C264	4030011600	S.CER C1608 JB 1E 104K-T	B	114.4/142.3
C265	4510008540	S.ELE EEE1CA100SR	T	116.1/143.5
C266	4030011600	S.CER C1608 JB 1E 104K-T	T	111.3/143.6
C267	4030007100	S.CER C1608 CH 1H 560J-T	B	119.8/143.9
C268	4030007100	S.CER C1608 CH 1H 560J-T	B	119.8/150.3
C269	4030007100	S.CER C1608 CH 1H 560J-T	B	113.0/147.6
C270	4030007050	S.CER C1608 CH 1H 220J-T	B	121.8/143.2
C271	4030007050	S.CER C1608 CH 1H 220J-T	B	121.8/149.6
C272	4030007050	S.CER C1608 CH 1H 220J-T	B	113.4/152.3
C273	4030011600	S.CER C1608 JB 1E 104K-T	B	163.2/97.9
C274	4030007170	S.CER C1608 CH 1H 221J-T	B	172.4/102.5
C275	4030007170	S.CER C1608 CH 1H 221J-T	B	172.4/99.7
C276	4030007050	S.CER C1608 CH 1H 220J-T	T	2.3/65.0
C277	4030007050	S.CER C1608 CH 1H 220J-T	T	9.4/64.0
C278	4510008500	S.ELE EEE1CA101WP	T	14.3/67.5
C279	4030007050	S.CER C1608 CH 1H 220J-T	T	18.9/66.8
C280	4030007050	S.CER C1608 CH 1H 220J-T	T	18.9/69.5
C282	4030011600	S.CER C1608 JB 1E 104K-T	B	13.8/71.2
C283	4030017490	S.CER C1608 JB 1A 105K-T	B	2.4/67.0
C284	4030011600	S.CER C1608 JB 1E 104K-T	B	85.1/122.8
C285	4550007520	S.TAN F931A106MAABMA	B	85.5/121.0
C286	4550007520	S.TAN F931A106MAABMA	B	77.4/125.1
C287	4030011600	S.CER C1608 JB 1E 104K-T	B	81.9/126.1
C288	4550007520	S.TAN F931A106MAABMA	B	77.4/129.8
C289	4030011600	S.CER C1608 JB 1E 104K-T	B	81.9/128.7
C290	4510008540	S.ELE EEE1CA100SR	T	40.7/117.9
C296	4030011600	S.CER C1608 JB 1E 104K-T	B	85.9/138.1
C297	4550007520	S.TAN F931A106MAABMA	B	82.9/141.8
C298	4030011600	S.CER C1608 JB 1E 104K-T	B	81.9/134.1
C299	4550007520	S.TAN F931A106MAABMA	B	78.4/133.5
C300	4030007130	S.CER C1608 CH 1H 101J-T	B	154.9/97.2
C301	4030007130	S.CER C1608 CH 1H 101J-T	B	154.9/115.3
C302	4030007130	S.CER C1608 CH 1H 101J-T	T	132.2/80.9
C303	4030007130	S.CER C1608 CH 1H 101J-T	T	97.0/95.2
C305	4030007130	S.CER C1608 CH 1H 101J-T	T	103.4/106.5
C306	4030007130	S.CER C1608 CH 1H 101J-T	T	98.9/82.8
C307	4030007130	S.CER C1608 CH 1H 101J-T	B	15.1/71.2
C308	4030007130	S.CER C1608 CH 1H 101J-T	B	3.7/67.0
C310	4030007130	S.CER C1608 CH 1H 101J-T	T	111.3/142.3
C311	4030007130	S.CER C1608 CH 1H 101J-T	B	110.5/131.5
C312	4030007130	S.CER C1608 CH 1H 101J-T	B	160.9/95.8
C313	4030007130	S.CER C1608 CH 1H 101J-T	B	173.8/105.7
C314	4030007130	S.CER C1608 CH 1H 101J-T	B	80.6/128.7
C315	4030007130	S.CER C1608 CH 1H 101J-T	B	80.6/126.1
C316	4030007130	S.CER C1608 CH 1H 101J-T	B	85.9/136.8
C317	4030011600	S.CER C1608 JB 1E 104K-T	B	107.7/124.1
C380	4030007120	S.CER C1608 CH 1H 820J-T	T	109.7/123.1
C381	4030007120	S.CER C1608 CH 1H 820J-T	B	102.1/116.5
C401	4030011600	S.CER C1608 JB 1E 104K-T	B	42.9/76.5
C402	4030011600	S.CER C1608 JB 1E 104K-T	B	37.0/76.5
C403	4030011600	S.CER C1608 JB 1E 104K-T	B	25.8/67.7
C404	4030011600	S.CER C1608 JB 1E 104K-T	B	25.8/60.4
C405	4030011600	S.CER C1608 JB 1E 104K-T	B	35.0/50.7
C406	4030011600	S.CER C1608 JB 1E 104K-T	B	40.2/50.7
C407	4030011600	S.CER C1608 JB 1E 104K-T	B	44.5/50.7
C408	4030011600	S.CER C1608 JB 1E 104K-T	B	53.2/57.4

[LOGIC UNIT] (For all models except [USA])

REF NO.	PARTS NO.	DESCRIPTION	M.	H/V LOCATION
C409	4030011600	S.CER C1608 JB 1E 104K-T	B	53.4/62.6
C410	4030011600	S.CER C1608 JB 1E 104K-T	B	53.4/66.0
C411	4030011600	S.CER C1608 JB 1E 104K-T	B	55.7/51.2
C412	4030006860	S.CER C1608 JB 1H 102K-T	T	44.1/59.8
C413	4030006900	S.CER C1608 JB 1H 103K-T	T	41.5/59.8
C414	4030007150	S.CER C1608 CH 1H 151J-T	T	42.8/59.8
C415	4030011600	S.CER C1608 JB 1E 104K-T	B	29.9/45.6
C416	4510008540	S.ELE EEE1CA100SR	T	40.7/45.8
C417	4030011600	S.CER C1608 JB 1E 104K-T	B	29.8/47.6
C418	4510008540	S.ELE EEE1CA100SR	T	35.5/51.7
C419	4030006900	S.CER C1608 JB 1H 103K-T	T	39.7/75.5
C420	4030007150	S.CER C1608 CH 1H 151J-T	T	39.7/74.2
C421	4550007520	S.TAN F931A106MAABMA	B	34.4/41.8
C422	4030011600	S.CER C1608 JB 1E 104K-T	T	37.0/77.4
C423	4030011600	S.CER C1608 JB 1E 104K-T	B	50.1/100.2
C424	4030011600	S.CER C1608 JB 1E 104K-T	B	53.3/96.4
C425	4030011600	S.CER C1608 JB 1E 104K-T	B	49.3/86.4
C426	4030011600	S.CER C1608 JB 1E 104K-T	B	49.5/82.7
C427	4030011600	S.CER C1608 JB 1E 104K-T	B	41.5/77.8
C428	4030011600	S.CER C1608 JB 1E 104K-T	B	35.5/77.8
C429	4030011600	S.CER C1608 JB 1E 104K-T	B	32.9/77.8
C430	4030011600	S.CER C1608 JB 1E 104K-T	B	23.6/99.5
C431	4030011600	S.CER C1608 JB 1E 104K-T	B	27.0/87.4
C432	4030011600	S.CER C1608 JB 1E 104K-T	B	27.0/94.0
C433	4030011600	S.CER C1608 JB 1E 104K-T	B	27.0/97.3
C434	4030011600	S.CER C1608 JB 1E 104K-T	B	31.9/105.2
C435	4030011600	S.CER C1608 JB 1E 104K-T	B	35.5/105.2
C436	4030011600	S.CER C1608 JB 1E 104K-T	B	40.5/105.2
C437	4030011600	S.CER C1608 JB 1E 104K-T	T	32.4/108.5
C438	4030011600	S.CER C1608 JB 1E 104K-T	T	22.4/105.7
C439	4030011600	S.CER C1608 JB 1E 104K-T	T	27.6/122.5
C440	4030019220	S.CER C4532X7R3D222KT	T	19.9/126.3
C441	4030007130	S.CER C1608 CH 1H 101J-T	T	46.1/104.6
C442	4030011600	S.CER C1608 JB 1E 104K-T	T	46.1/105.9
C443	4030011600	S.CER C1608 JB 1E 104K-T	B	41.9/47.3
C444	4030007130	S.CER C1608 CH 1H 101J-T	B	24.5/60.4
C445	4030007130	S.CER C1608 CH 1H 101J-T	B	29.9/44.3
C446	4030007130	S.CER C1608 CH 1H 101J-T	B	31.1/47.6
C447	4030007130	S.CER C1608 CH 1H 101J-T	T	37.0/76.1
C448	4030007130	S.CER C1608 CH 1H 101J-T	T	26.6/80.1
C449	4030007130	S.CER C1608 CH 1H 101J-T	T	33.7/108.5
C450	4030007130	S.CER C1608 CH 1H 101J-T	T	23.7/105.7
C451	4030007130	S.CER C1608 CH 1H 101J-T	T	26.2/122.5
C452	4030011340	S.CER C1608 CH 1H 471J-T	T	38.7/58.7
C453	4030011600	S.CER C1608 JB 1E 104K-T	T	38.7/60.0
C501	4510008540	S.ELE EEE1CA100SR	T	150.2/128.0
C502	4030011600	S.CER C1608 JB 1E 104K-T	T	146.3/129.3
C503	4030011600	S.CER C1608 JB 1E 104K-T	T	146.3/131.9
C504	4030011600	S.CER C1608 JB 1E 104K-T	T	146.3/143.1
C505	4030011600	S.CER C1608 JB 1E 104K-T	T	137.2/146.2
C506	4030011600	S.CER C1608 JB 1E 104K-T	T	132.7/146.2
C507	4030011600	S.CER C1608 JB 1E 104K-T	T	126.3/143.1
C508	4030011600	S.CER C1608 JB 1E 104K-T	T	126.3/137.7
C509	4030011600	S.CER C1608 JB 1E 104K-T	T	126.3/139.6
C510	4030011600	S.CER C1608 JB 1E 104K-T	T	126.3/124.0
C511	4030011600	S.CER C1608 JB 1E 104K-T	T	131.8/123.9
C512	4030011600	S.CER C1608 JB 1E 104K-T	T	141.0/123.9
C513	4510008540	S.ELE EEE1CA100SR	T	150.4/134.5
C514	4030011600	S.CER C1608 JB 1E 104K-T	T	146.3/134.7
C515	4030011600	S.CER C1608 JB 1E 104K-T	T	146.3/137.3
C516	4030011600	S.CER C1608 JB 1E 104K-T	T	146.9/140.3
C517	4030008920	S.CER C1608 JB 1H 473K-T	B	140.2/132.7
C518	4030008920	S.CER C1608 JB 1H 473K-T	B	140.2/134.0
C519	4030008920	S.CER C1608 JB 1H 473K-T	B	140.2/136.6
C520	4030008920	S.CER C1608 JB 1H 473K-T	B	140.2/137.9
C521	4030008920	S.CER C1608 JB 1H 473K-T	B	140.2/139.2
C522	4030008920	S.CER C1608 JB 1H 473K-T	T	149.0/139.5
C523	4030008920	S.CER C1608 JB 1H 473K-T	B	137.4/135.3
C524	4030008920	S.CER C1608 JB 1H		

[LOGIC UNIT] (For all models except [USA])

REF NO.	PARTS NO.	DESCRIPTION	M.	H/V LOCATION
C619	4030006880	S.CER C1608 JB 1H 472K-T	T	95.6/43.8
C620	4030006880	S.CER C1608 JB 1H 472K-T	T	95.6/41.2
C621	4030006880	S.CER C1608 JB 1H 472K-T	T	95.6/38.6
C622	4030006880	S.CER C1608 JB 1H 472K-T	T	95.6/36.0
C623	4030006880	S.CER C1608 JB 1H 472K-T	T	95.6/46.4
C624	4030006880	S.CER C1608 JB 1H 472K-T	B	88.0/40.4
C625	4030007130	S.CER C1608 CH 1H 101J-T	B	86.3/38.5
C626	4030011600	S.CER C1608 JB 1E 104K-T	B	75.1/35.3
C627	4030011600	S.CER C1608 JB 1E 104K-T	B	78.4/35.3
C628	4030011600	S.CER C1608 JB 1E 104K-T	B	81.3/44.2
C629	4030011600	S.CER C1608 JB 1E 104K-T	B	68.6/52.6
C630	4030011600	S.CER C1608 JB 1E 104K-T	B	165.6/66.7
C631	4030011600	S.CER C1608 JB 1E 104K-T	B	163.7/63.2
C632	4030011600	S.CER C1608 JB 1E 104K-T	B	148.1/79.9
C633	4030011600	S.CER C1608 JB 1E 104K-T	B	152.9/81.8
C634	4030011600	S.CER C1608 JB 1E 104K-T	B	167.4/72.0
C635	4030011600	S.CER C1608 JB 1E 104K-T	B	145.8/73.5
C636	4030011600	S.CER C1608 JB 1E 104K-T	B	145.8/67.1
C637	4510008540	S.ELE EEE1CA100SR	T	116.6/47.3
C638	4030011600	S.CER C1608 JB 1E 104K-T	T	21.2/132.4
C639	4030011600	S.CER C1608 JB 1E 104K-T	T	21.2/135.4
C640	4030007130	S.CER C1608 CH 1H 101J-T	B	73.3/34.6
C641	4030007130	S.CER C1608 CH 1H 101J-T	B	80.4/37.2
C642	4030007130	S.CER C1608 CH 1H 101J-T	B	80.0/44.2
C643	4030007130	S.CER C1608 CH 1H 101J-T	B	69.9/51.5
C644	4030007130	S.CER C1608 CH 1H 101J-T	B	145.8/69.9
C645	4030007130	S.CER C1608 CH 1H 101J-T	T	22.5/132.9
C801	4510008540	S.ELE EEE1CA100SR	T	183.0/147.2
C802	4030011600	S.CER C1608 JB 1E 104K-T	B	169.5/149.0
C803	4030011600	S.CER C1608 JB 1E 104K-T	B	169.5/151.9
C804	4510008540	S.ELE EEE1CA100SR	T	183.0/152.0
C805	4510008540	S.ELE EEE1CA100SR	T	191.5/142.4
C806	4030011600	S.CER C1608 JB 1E 104K-T	B	192.0/131.1
C807	4030011600	S.CER C1608 JB 1E 104K-T	B	189.1/131.1
C808	4510008540	S.ELE EEE1CA100SR	T	186.7/142.4
C809	4510008540	S.ELE EEE1CA100SR	T	22.8/8.4
C810	4030011600	S.CER C1608 JB 1E 104K-T	B	30.6/6.7
C811	4030011600	S.CER C1608 JB 1E 104K-T	B	30.6/3.8
C812	4510008540	S.ELE EEE1CA100SR	T	22.8/3.6
C813	4510008540	S.ELE EEE1CA100SR	T	181.3/38.6
C814	4030011600	S.CER C1608 JB 1E 104K-T	B	176.6/36.8
C815	4030011600	S.CER C1608 JB 1E 104K-T	B	176.7/39.7
C816	4510008520	S.ELE EEE1CA470SP	T	175.2/39.8
C817	4550007520	S.TAN F931A106MAABMA	B	9.8/18.1
C818	4030011600	S.CER C1608 JB 1E 104K-T	B	11.6/19.2
C819	4030011600	S.CER C1608 JB 1E 104K-T	B	17.2/20.5
C820	4550007210	S.TAN F930G476MBABMA	B	20.2/22.4
C823	4030006860	S.CER C1608 JB 1H 102K-T	B	182.3/51.5
C824	4030007130	S.CER C1608 CH 1H 101J-T	B	186.2/51.5
C825	4030006860	S.CER C1608 JB 1H 102K-T	B	182.4/55.3
C826	4030007130	S.CER C1608 CH 1H 101J-T	B	186.2/55.3
C827	4030018960	S.CER C3216 JB 1C 106MT-N	T	44.2/144.6
C828	4030011600	S.CER C1608 JB 1E 104K-T	B	44.2/145.9
C829	4030011600	S.CER C1608 JB 1E 104K-T	B	44.2/148.8
C830	4030018960	S.CER C3216 JB 1C 106MT-N	T	44.2/149.5
C847	4510008520	S.ELE EEE1CA470SP	T	187.1/71.0
C851	4030006860	S.CER C1608 JB 1H 102K-T	B	130.3/9.5
C852	4030006860	S.CER C1608 JB 1H 102K-T	B	137.8/9.5
C853	4030006860	S.CER C1608 JB 1H 102K-T	B	140.3/9.5
C854	4030006860	S.CER C1608 JB 1H 102K-T	B	142.8/9.5
C861	4030006860	S.CER C1608 JB 1H 102K-T	B	48.7/9.5
C862	4030006860	S.CER C1608 JB 1H 102K-T	B	51.2/9.5
C863	4030006860	S.CER C1608 JB 1H 102K-T	B	56.2/9.5
C864	4030006860	S.CER C1608 JB 1H 102K-T	B	58.7/9.5
C865	4030006860	S.CER C1608 JB 1H 102K-T	B	63.7/9.5
C866	4030006860	S.CER C1608 JB 1H 102K-T	B	68.7/9.5
C871	4030007050	S.CER C1608 CH 1H 220J-T	T	43.4/42.5
C872	4030007050	S.CER C1608 CH 1H 220J-T	T	43.5/28.7
C873	4030007050	S.CER C1608 CH 1H 220J-T	T	44.7/42.5
C874	4030006860	S.CER C1608 JB 1H 102K-T	T	44.8/28.7
C875	4030006860	S.CER C1608 JB 1H 102K-T	T	46.0/42.5
C876	4030006860	S.CER C1608 JB 1H 102K-T	T	47.4/28.7
C877	4030006860	S.CER C1608 JB 1H 102K-T	T	47.3/42.5
C878	4030006860	S.CER C1608 JB 1H 102K-T	T	48.7/28.7
C879	4030006860	S.CER C1608 JB 1H 102K-T	T	48.6/42.5
C880	4030007050	S.CER C1608 CH 1H 220J-T	T	50.0/28.7
C881	4030007050	S.CER C1608 CH 1H 220J-T	T	49.9/42.5
C882	4030007050	S.CER C1608 CH 1H 220J-T	T	51.3/28.7
C883	4030007050	S.CER C1608 CH 1H 220J-T	T	51.2/42.5
C884	4030007050	S.CER C1608 CH 1H 220J-T	T	52.6/28.7
C885	4030007050	S.CER C1608 CH 1H 220J-T	T	52.5/42.5
C886	4030007050	S.CER C1608 CH 1H 220J-T	T	53.9/28.7
C887	4030007050	S.CER C1608 CH 1H 220J-T	T	53.8/42.5
C888	4030007050	S.CER C1608 CH 1H 220J-T	T	55.1/42.5
C889	4030007050	S.CER C1608 CH 1H 220J-T	T	55.2/28.7
C890	4030007050	S.CER C1608 CH 1H 220J-T	T	56.4/42.5
C891	4030007050	S.CER C1608 CH 1H 220J-T	T	56.5/28.7
C892	4030007050	S.CER C1608 CH 1H 220J-T	T	57.7/42.5
C893	4030007050	S.CER C1608 CH 1H 220J-T	T	57.8/28.7
C894	4030007050	S.CER C1608 CH 1H 220J-T	T	59.0/42.5
C895	4030006860	S.CER C1608 JB 1H 102K-T	T	59.1/28.7
C896	4030007050	S.CER C1608 CH 1H 220J-T	T	60.3/42.5
C897	4030007050	S.CER C1608 CH 1H 220J-T	T	60.4/28.7
C911	4030006900	S.CER C1608 JB 1H 103K-T	B	10.3/132.6
C912	4030006900	S.CER C1608 JB 1H 103K-T	B	6.7/128.2
C913	4030006900	S.CER C1608 JB 1H 103K-T	B	5.5/132.8
C914	4030006900	S.CER C1608 JB 1H 103K-T	B	6.7/126.9
C915	4030006900	S.CER C1608 JB 1H 103K-T	B	9.3/122.8
C916	4030006900	S.CER C1608 JB 1H 103K-T	B	6.7/125.6
C917	4030006900	S.CER C1608 JB 1H 103K-T	B	9.0/132.6
C918	4030006900	S.CER C1608 JB 1H 103K-T	B	6.7/124.3
C919	4030006900	S.CER C1608 JB 1H 103K-T	T	10.1/126.3
C920	4030006900	S.CER C1608 JB 1H 103K-T	B	6.7/123.0
C921	4030006900	S.CER C1608 JB 1H 103K-T	T	8.7/123.6
C922	4030006900	S.CER C1608 JB 1H 103K-T	B	6.7/121.7

[LOGIC UNIT] (For all models except [USA])

REF NO.	PARTS NO.	DESCRIPTION	M.	H/V LOCATION
C923	4030006900	S.CER C1608 JB 1H 103K-T	B	6.7/129.5
C924	4030006860	S.CER C1608 JB 1H 102K-T	T	11.4/142.8
C925	4030007130	S.CER C1608 CH 1H 101J-T	T	10.0/142.8
C926	4030006860	S.CER C1608 JB 1H 102K-T	B	10.7/135.6
C927	4030007130	S.CER C1608 CH 1H 101J-T	B	13.9/135.6
C928	4030006860	S.CER C1608 JB 1H 102K-T	B	12.1/133.0
C929	4030007130	S.CER C1608 CH 1H 101J-T	B	13.9/134.3
C930	4030006860	S.CER C1608 JB 1H 102K-T	B	7.1/137.5
C931	4030006860	S.CER C1608 JB 1H 102K-T	T	64.6/138.3
C932	4030006860	S.CER C1608 JB 1H 102K-T	T	62.6/138.3
C933	4030006860	S.CER C1608 JB 1H 102K-T	T	59.6/137.0
C934	4030006860	S.CER C1608 JB 1H 102K-T	T	55.9/138.5
C935	4030006860	S.CER C1608 JB 1H 102K-T	T	51.1/151.6
C936	4030006860	S.CER C1608 JB 1H 102K-T	T	52.6/138.6
C937	4030007130	S.CER C1608 CH 1H 101J-T	B	7.1/138.9
C938	4030006860	S.CER C1608 JB 1H 102K-T	B	7.1/136.1
C939	4030007130	S.CER C1608 CH 1H 101J-T	B	7.1/134.7
C940	4030006860	S.CER C1608 JB 1H 102K-T	B	4.0/110.6
C941	4030006900	S.CER C1608 JB 1H 103K-T	T	73.6/138.1
C942	4030006900	S.CER C1608 JB 1H 103K-T	T	74.9/137.1
C943	4030006900	S.CER C1608 JB 1H 103K-T	T	76.2/137.1
C944	4030006900	S.CER C1608 JB 1H 103K-T	T	77.5/137.1
C945	4030006900	S.CER C1608 JB 1H 103K-T	T	80.1/138.7
C946	4030006900	S.CER C1608 JB 1H 103K-T	T	81.5/136.2
C947	4030007050	S.CER C1608 CH 1H 220J-T	T	83.2/137.8
C948	4030007050	S.CER C1608 CH 1H 220J-T	T	84.5/137.8
C949	4030007050	S.CER C1608 CH 1H 220J-T	T	85.8/137.6
C950	4030007050	S.CER C1608 CH 1H 220J-T	T	87.1/137.6
C951	4030007050	S.CER C1608 CH 1H 220J-T	T	88.4/137.6
C952	4030007050	S.CER C1608 CH 1H 220J-T	T	89.7/137.6
C953	4030007050	S.CER C1608 CH 1H 220J-T	T	91.0/137.6
C954	4030006880	S.CER C1608 JB 1H 472K-T	T	96.1/138.0
C955	4030006880	S.CER C1608 JB 1H 472K-T	T	98.7/138.0
C956	4030006880	S.CER C1608 JB 1H 472K-T	T	101.0/137.7
C957	4030006880	S.CER C1608 JB 1H 472K-T	T	102.3/137.3
C958	4030007130	S.CER C1608 CH 1H 101J-T	B	4.0/109.7
C959	4030006860	S.CER C1608 JB 1H 102K-T	B	8.5/101.3
C960	4030006860	S.CER C1608 JB 1H 102K-T	T	27.9/20.2
C961	4030006880	S.CER C1608 JB 1H 472K-T	T	173.4/12.8
C962	4030006880	S.CER C1608 JB 1H 472K-T	T	173.4/15.5
C963	4030006880	S.CER C1608 JB 1H 472K-T	T	173.4/18.1
C964	4030007050	S.CER C1608 CH 1H 220J-T	T	173.4/22.0
C965	4030007050	S.CER C1608 CH 1H 220J-T	T	173.4/23.3
C966	4030007050	S.CER C1608 CH 1H 220J-T	T	173.4/24.6
C967	4030006880	S.CER C1608 JB 1H 472K-T	T	173.4/29.8
C968	4030006880	S.CER C1608 JB 1H 472K-T	T	173.4/31.5
C969	4030006880	S.CER C1608 JB 1H 472K-T	T	173.5/28.3
C970	4030007050	S.CER C1608 CH 1H 220J-T	T	173.4/25.9
C971	4030007050	S.CER C1608 CH 1H 220J-T	T	173.4/20.7
C972	4030006880	S.CER C1608 JB 1H 472K-T	T	173.4/19.4
C973	4030006880	S.CER C1608 JB 1H 472K-T	T	173.4/16.8
C974	4030006880	S.CER C1608 JB 1H 472K-T	T	173.4/14.2
C975	4030007130	S.CER C1608 CH 1H 101J-T	B	8.5/102.6
C976	4030011340	S.CER C1608 CH 1H 471J-T	T	176.9/127.1
C977	4030011340	S.CER C1608 CH 1H 471J-T	T	176.9/128.4
C978	4030011340	S.CER C1608 CH 1H 471J-T	T	176.9/129.7
C979	4030006880	S.CER C1608 JB 1H 472K-T	T	176.9/131.0
C980	4030006880	S.CER C1608 JB 1H 472K-T	T	176.9/133.0
C981	4030006880	S.CER C1608 JB 1H 472K-T	T	176.9/135.6
C982	4030011340	S.CER C1608 CH 1H 471J-T	T	27.7/138.1
C983	4030011340	S.CER C1608 CH 1H 471J-T	T	29.0/138.1
C984	4030006880	S.CER C1608 JB 1H 472K-T	T	31.2/136.3
C985	4030006880	S.CER C1608 JB 1H 472K-T	T	34.7/137.0
C986	4030006880	S.CER C1608 JB 1H 472K-T	T	36.0/137.0
C987	4030006880	S.CER C1608 JB 1H 472K-T	T	38.2/137.6
C991	4030006880	S.CER C1608 JB 1H 472K-T	T	37.1/10.3
C992	4030006880	S.CER C1608 JB 1H 472K-T	T	41.4/9.0
C1001	4510008540	S.ELE EEE1CA100SR	T	40.7/122.7
C1002	4510008560	S.ELE EEE1HAR47SR	T	16.1/139.4
C1004	4030011600	S.CER C1608 JB 1E 104		

[LOGIC UNIT] (For all models except [USA])

REF NO.	PARTS NO.	DESCRIPTION	M.	H/V LOCATION
EP1113	6910013310	S.BEA MMZ1608D121B	T	13.3/38.2
EP1114	6910013310	S.BEA MMZ1608D121B	T	10.5/38.9
EP1115	6910013310	S.BEA MMZ1608D121B	T	13.3/39.6
EP1116	6910013310	S.BEA MMZ1608D121B	T	10.5/40.3
EP1117	6910013310	S.BEA MMZ1608D121B	T	13.3/41.0
EP1118	6910013310	S.BEA MMZ1608D121B	T	10.5/41.7
EP1119	6910013310	S.BEA MMZ1608D121B	T	13.3/42.4
EP1120	6910013310	S.BEA MMZ1608D121B	T	10.5/43.1
EP1121	6910013310	S.BEA MMZ1608D121B	T	13.3/43.8
EP1122	6910013310	S.BEA MMZ1608D121B	T	10.5/44.5
EP1123	6910013310	S.BEA MMZ1608D121B	T	13.3/45.2
EP1124	6910013310	S.BEA MMZ1608D121B	T	10.5/47.2
EP1125	6910013310	S.BEA MMZ1608D121B	T	13.3/47.9
EP1126	6910013310	S.BEA MMZ1608D121B	T	10.5/48.6
EP1127	6910013310	S.BEA MMZ1608D121B	T	13.3/49.3
EP1128	6910013310	S.BEA MMZ1608D121B	T	10.5/50.0
EP1129	6910013310	S.BEA MMZ1608D121B	T	13.3/50.7
EP1130	6910013310	S.BEA MMZ1608D121B	T	10.5/51.4
EP1131	6910013310	S.BEA MMZ1608D121B	T	13.3/52.1
EP1132	6910013310	S.BEA MMZ1608D121B	T	10.5/52.8
EP1133	6910013310	S.BEA MMZ1608D121B	T	13.3/53.5
EP1134	6910013310	S.BEA MMZ1608D121B	T	10.5/54.2
EP1135	6910013310	S.BEA MMZ1608D121B	T	13.3/54.9
EP1136	6910013310	S.BEA MMZ1608D121B	T	10.5/55.6
EP1137	6910013310	S.BEA MMZ1608D121B	T	13.3/56.3
EP1138	6910013310	S.BEA MMZ1608D121B	T	10.5/57.0
EP1139	6910013310	S.BEA MMZ1608D121B	T	13.3/57.7
EP1140	6910013310	S.BEA MMZ1608D121B	T	10.5/58.4
EP1141	6910013310	S.BEA MMZ1608D121B	T	13.3/59.1
EP1142	6910013310	S.BEA MMZ1608D121B	T	10.5/59.8
EP1143	6910013310	S.BEA MMZ1608D121B	T	13.3/60.5
EP1144	6910013310	S.BEA MMZ1608D121B	T	10.5/61.2
EP1145	6910013310	S.BEA MMZ1608D121B	T	13.3/61.9
EP1146	6910013310	S.BEA MMZ1608D121B	T	10.5/62.6
EP1147	6910014730	S.BEA MPZ2012S331A-T	T	22.6/45.9
EP1149	6910014730	S.BEA MPZ2012S331A-T	T	39.7/19.8
EP1263	6910015970	S.BEA MMZ1608B 301CT-AS	T	36.2/19.4
EP1273	6910015970	S.BEA MMZ1608B 301CT-AS	T	38.1/19.5

[MEMORY UNIT]

REF NO.	PARTS NO.	DESCRIPTION	M.	H/V LOCATION
IC1	1130013716	S.IC JS28F128J3D-75(RX-2844A-6)	B	74.0/106.9
IC2	1130013480	S.IC JS28F128J3D-75	T	74.0/114.0
C1	4030011600	S.CER C1608 JB 1E 104K-T	T	25.7/57.6
C2	4030011600	S.CER C1608 JB 1E 104K-T	B	82.8/98.3
C3	4030011600	S.CER C1608 JB 1E 104K-T	B	78.0/98.3
C4	4030011600	S.CER C1608 JB 1E 104K-T	B	74.0/98.3
C5	4030011600	S.CER C1608 JB 1E 104K-T	B	63.6/98.3
C6	4030011600	S.CER C1608 JB 1E 104K-T	B	81.6/115.4
J1	6510024211	S.CON AXK6S30437YG	T	54.7/113.0
J2	6510024201	S.CON AXK6S40437YG	T	99.7/113.0

M.=Mounted side (T: Mounted on the Top side, B: Mounted on the Bottom side)
S.=Surface mount

[VCO1 UNIT]

REF NO.	PARTS NO.	DESCRIPTION	M.	H/V LOCATION
Q4100	1530003550	S.TRA 2SC5193-T1	T	15.8/5.1
Q4101	1530003550	S.TRA 2SC5193-T1	T	18.8/6.3
Q4102	1590003940	S.TRA RN1105(TE85LF)	T	3.9/3.6
Q4104	1590001870	S.TRA DTA114EE TL	T	9.0/3.6
Q4105	1590003940	S.TRA RN1105(TE85LF)	T	6.4/3.6
Q4200	1530003550	S.TRA 2SC5193-T1	T	18.3/14.0
Q4201	1560000491	S.FET 2SK508-T2B-A K52	T	22.7/12.9
Q4202	1590003940	S.TRA RN1105(TE85LF)	T	3.9/8.1
Q4204	1590001870	S.TRA DTA114EE TL	T	9.0/8.1
Q4205	1590003940	S.TRA RN1105(TE85LF)	T	6.4/8.2
Q4300	1530003550	S.TRA 2SC5193-T1	T	19.0/23.0
Q4301	1560000491	S.FET 2SK508-T2B-A K52	T	23.4/21.1
Q4302	1590003940	S.TRA RN1105(TE85LF)	T	3.9/12.8
Q4304	1590001870	S.TRA DTA114EE TL	T	9.0/12.8
Q4305	1590003940	S.TRA RN1105(TE85LF)	T	6.4/12.8
Q4400	1530003432	S.TRA 2SC5226A-4-TL-E	T	10.7/21.6
D4100	1720000261	S.VAR 1SV214(TPH2F)	T	24.3/7.3
D4101	1720000801	S.VAR 1SV290(TPH3F)	T	25.9/7.4
D4103	1750000581	S.DIO 1SV307(TPH3F)	T	14.2/17.2
D4200	1750000721	S.VAR HVC375BTRF-E	T	25.6/12.1
D4201	1720000261	S.VAR 1SV214(TPH2F)	T	28.4/11.6
D4203	1750000581	S.DIO 1SV307(TPH3F)	T	16.0/17.2
D4300	1750000721	S.VAR HVC375BTRF-E	T	26.5/19.8
D4301	1720000261	S.VAR 1SV214(TPH2F)	T	29.5/19.4
D4304	1750000581	S.DIO 1SV307(TPH3F)	T	15.8/20.5
L4100	6200010780	S.COI C2520C-1R0G-A	B	26.6/5.4
L4101	6200010780	S.COI C2520C-1R0G-A	B	28.7/4.2
L4102	6200057111	S.COI ELJRE 27NGFA	T	22.2/6.2
L4104	6200010780	S.COI C2520C-1R0G-A	B	21.3/5.9
L4105	6200010780	S.COI C2520C-1R0G-A	B	13.6/7.9
L4200	6200010780	S.COI C2520C-1R0G-A	B	28.4/15.2
L4201	6200010780	S.COI C2520C-1R0G-A	T	32.0/13.5
L4202	6200009220	S.COI LQW18AN15NG00D (LQW1608A15NG00)	T	25.1/15.5
L4203	6200010780	S.COI C2520C-1R0G-A	B	23.5/13.9
L4204	6200010780	S.COI C2520C-1R0G-A	B	19.2/14.6
L4205	6200010780	S.COI C2520C-1R0G-A	T	28.5/16.3
L4300	6200010780	S.COI C2520C-1R0G-A	B	29.0/22.8
L4301	6200010780	S.COI C2520C-1R0G-A	T	32.9/21.2
L4302	6200009220	S.COI LQW18AN15NG00D (LQW1608A15NG00)	T	25.9/23.5
L4303	6200010780	S.COI C2520C-1R0G-A	B	24.2/22.2
L4304	6200010780	S.COI C2520C-1R0G-A	B	19.2/23.1
L4305	6200010780	S.COI C2520C-1R0G-A	T	33.8/25.3
L4306	6200010860	S.COI C2520C-R10G-A (0.1U)	T	29.4/25.3
L4401	6200001981	S.COI NLV25T-1R0J	B	9.2/16.9
R4100	7030003440	S.RES ERJ3GEYJ 102 V (1K)	B	31.9/5.4
R4101	7030003440	S.RES ERJ3GEYJ 102 V (1K)	T	30.8/6.4
R4102	7030003490	S.RES ERJ3GEYJ 272 V (2.7K)	T	18.9/3.1
R4103	7030003490	S.RES ERJ3GEYJ 272 V (2.7K)	T	21.5/3.1
R4104	7030003490	S.RES ERJ3GEYJ 272 V (2.7K)	T	15.9/3.1
R4105	7030003360	S.RES ERJ3GEYJ 221 V (220)	B	18.7/4.4
R4106	7030003200	S.RES ERJ3GEYJ 100 V (10)	B	10.6/6.1
R4108	7030003440	S.RES ERJ3GEYJ 102 V (1K)	T	13.2/7.1
R4109	7030003860	S.RES ERJ3GE JPW V	B	30.0/4.7
R4110	7030003860	S.RES ERJ3GE JPW V	T	14.3/10.3
R4111	7030003440	S.RES ERJ3GEYJ 102 V (1K)	T	2.7/18.0
R4200	7030003440	S.RES ERJ3GEYJ 102 V (1K)	B	33.5/13.6
R4201	7030003440	S.RES ERJ3GEYJ 102 V (1K)	T	35.7/13.5
R4202	7030003510	S.RES ERJ3GEYJ 392 V (3.9K)	T	20.2/14.2
R4203	7030003460	S.RES ERJ3GEYJ 152 V (1.5K)	T	19.0/17.1
R4204	7030003320	S.RES ERJ3GEYJ 101 V (100)	T	17.0/11.9
R4205	7030003380	S.RES ERJ3GEYJ 331 V (330)	B	25.4/11.0
R4206	7030003400	S.RES ERJ3GEYJ 471 V (470)	B	13.3/14.6
R4208	7030003440	S.RES ERJ3GEYJ 102 V (1K)	B	15.2/14.4
R4209	7030003440	S.RES ERJ3GEYJ 102 V (1K)	B	31.4/15.2
R4210	7030003860	S.RES ERJ3GE JPW V	B	16.6/12.2
R4211	7030003440	S.RES ERJ3GEYJ 102 V (1K)	T	2.7/16.5
R4212	7030003860	S.RES ERJ3GE JPW V	T	31.1/17.2
R4300	7030003440	S.RES ERJ3GEYJ 102 V (1K)	B	33.8/21.4
R4301	7030003440	S.RES ERJ3GEYJ 102 V (1K)	T	35.7/23.0
R4302	7030003510	S.RES ERJ3GEYJ 392 V (3.9K)	T	20.9/22.9
R4303	7030003460	S.RES ERJ3GEYJ 152 V (1.5K)	T	19.7/25.8
R4304	7030003320	S.RES ERJ3GEYJ 101 V (100)	T	17.3/20.5
R4305	7030003380	S.RES ERJ3GEYJ 331 V (330)	B	24.9/18.8
R4306	7030003400	S.RES ERJ3GEYJ 471 V (470)	B	11.9/24.7
R4308	7030003440	S.RES ERJ3GEYJ 102 V (1K)	B	14.2/22.2
R4309	7030003440	S.RES ERJ3GEYJ 102 V (1K)	B	30.0/20.6
R4310	7030003320	S.RES ERJ3GEYJ 101 V (100)	B	16.4/20.5
R4311	7030003440	S.RES ERJ3GEYJ 102 V (1K)	T	2.7/15.0
R4400	7030003510	S.RES ERJ3GEYJ 392 V (3.9K)	T	12.8/22.7
R4401	7030003480	S.RES ERJ3GEYJ 222 V (2.2K)	T	11.4/19.5
R4402	7030003360	S.RES ERJ3GEYJ 221 V (220)	T	11.0/24.7
R4406	7030003440	S.RES ERJ3GEYJ 102 V (1K)	T	14.3/22.7
R4407	7030003320	S.RES ERJ3GEYJ 101 V (100)	T	7.9/22.5
R4408	7030003300	S.RES ERJ3GEYJ 680 V (68)	T	7.9/21.0
R4409	7030003320	S.RES ERJ3GEYJ 101 V (100)	T	2.9/21.8
C4102	4550007480	S.TAN F930J106MAABMA	B	30.2/8.0
C4104	4030007030	S.CER C1608 CH 1H 150J-T	T	24.3/3.9
C4105	4030006990	S.CER C1608 CH 1H 080D-T	T	25.9/3.9
C4107	4030007010	S.CER C1608 CH 1H 100D-T	T	21.5/4.3
C4108	4030007030	S.CER C1608 CH 1H 150J-T	T	20.8/6.2
C4109	4030009500	S.CER C1608 CH 1H 0R5B-T	T	18.9/4.4
C4110	4030007030	S.CER C1608 CH 1H 150J-T	T	21.3/8.0
C4111	4030006860	S.CER C1608 JB 1H 102K-T	T	16.7/7.5
C4112	4030009540	S.CER C1608 CH 1H 1R5B-T	T	14.9/7.7
C4113	4030007090	S.CER C1608 CH 1H 470J-T	B	10.9/7.9

[VCO1 UNIT]

REF NO.	PARTS NO.	DESCRIPTION	M.	H/V LOCATION
C4114	4030011600	S.CER C1608 JB 1E 104K-T	B	8.3/7.9
C4115	4030017810	S.CER C1608 CH 1H 102J-T	B	9.7/7.9
C4116	4030017810	S.CER C1608 CH 1H 102J-T	B	16.8/5.1
C4117	4030017810	S.CER C1608 CH 1H 102J-T	T	1.9/3.5
C4118	4030017810	S.CER C1608 CH 1H 102J-T	T	6.5/1.6
C4119	4030017810	S.CER C1608 CH 1H 102J-T	T	13.2/4.0
C4120	4030007090	S.CER C1608 CH 1H 470J-T	B	18.1/6.2
C4121	4030011600	S.CER C1608 JB 1E 104K-T	B	14.7/4.4
C4201	4550007480	S.TAN F930J106MAABMA	B	33.3/17.6
C4204	4030006990	S.CER C1608 CH 1H 080D-T	T	25.7/14.0
C4205	4030011770	S.CER C1608 CH 1H 060B-T	T	28.4/14.0
C4208	4030009530	S.CER C1608 CH 1H 030B-T	T	22.5/15.2
C4209	4030009500	S.CER C1608 CH 1H 0R5B-T	T	21.0/16.4
C4210	4030009520	S.CER C1608 CH 1H 020B-T	T	23.6/10.5
C4211	4030006860	S.CER C1608 JB 1H 102K-T	T	20.4/11.2
C4212	4030009540	S.CER C1608 CH 1H 1R5B-T	T	15.8/13.4
C4213	4030007090	S.CER C1608 CH 1H 470J-T	B	15.7/17.2
C4214	4030011600	S.CER C1608 JB 1E 104K-T	B	13.3/17.2
C4215	4030017810	S.CER C1608 CH 1H 102J-T	B	23.0/9.5
C4216	4030017810	S.CER C1608 CH 1H 102J-T	B	14.5/17.2
C4217	4030017810	S.CER C1608 CH 1H 102J-T	T	6.5/6.2
C4218	4030017810	S.CER C1608 CH 1H 102J-T	T	1.9/8.0
C4219	4030017810	S.CER C1608 CH 1H 102J-T	B	14.2/11.9
C4220	4030007090	S.CER C1608 CH 1H 470J-T	B	24.2/9.5
C4221	4030011600	S.CER C1608 JB 1E 104K-T	B	21.0/10.2
C4222	4030017810	S.CER C1608 CH 1H 102J-T	T	18.3/10.7
C4303	4550007480	S.TAN F930J106MAABMA	B	32.1/22.7
C4304	4030009530	S.CER C1608 CH 1H 030B-T	T	26.8/21.9
C4305	4030009530	S.CER C1608 CH 1H 030B-T	T	29.5/21.9
C4308	4030009540	S.CER C1608 CH 1H 1R5B-T	T	23.2/23.5
C4309	4030009500	S.CER C1608 CH 1H 0R5B-T	T	21.7/24.7
C4310	4030009510	S.CER C1608 CH 1H 010B-T	T	24.7/18.8
C4311	4030006860	S.CER C1608 JB 1H 102K-T	T	21.2/19.4
C4312	4030009530	S.CER C1608 CH 1H 030B-T	T	16.6/23.3
C4313	4030007090	S.CER C1608 CH 1H 470J-T	B	16.3/24.6
C4314	4030011600	S.CER C1608 JB 1E 104K-T	B	13.9/24.6
C4315	4030017810	S.CER C1608 CH 1H 102J-T	B	15.1/24.6
C4316	4030017810	S.CER C1608 CH 1H 102J-T	B	22.5/18.3
C4317	4030017810	S.CER C1608 CH 1H 102J-T	T	1.9/12.7
C4318	4030017810	S.CER C1608 CH 1H 102J-T	T	6.5/10.8
C4319	4030017810	S.CER C1608 CH 1H 102J-T	B	13.5/20.3
C4320	4030007090	S.CER C1608 CH 1H 470J-T	B	23.7/18.3
C4321	4030011600	S.CER C1608 JB 1E 104K-T	B	21.3/18.3
C4322	4030017810	S.CER C1608 CH 1H 102J-T	T	19.0/20.3
C4400	4030006860	S.CER C1608 JB 1H 102K-T	B	6.5/12.8
C4401	4030017810	S.CER C1608 CH 1H 102J-T	T	8.1/18.7
C4405	4030017810	S.CER C1608 CH 1H 102J-T	T	9.2/23.7
C4407	4030006860	S.CER C1608 JB 1H 102K-T	T	13.5/20.8
C4409	4030007090	S.CER C1608 CH 1H 470J-T	T	9.3/18.7
C4410	4030011600	S.CER C1608 JB 1E 104K-T	T	10.6/17.0
J4101	6910003841	CON IMSA-9230B-1-05Z003-PT1		
J4102	6910003861	CON IMSA-9230B-1-07Z003-PT1		

M.=Mounted side (T: Mounted on the Top side, B: Mounted on the Bottom side)
S.=Surface mount

[VCO2 UNIT]

REF NO.	PARTS NO.	DESCRIPTION	M.	H/V LOCATION
Q2200	1530003781	S.TRA 2SC5624VH-TL-E	T	29.8/16.7
Q2201	1530003781	S.TRA 2SC5624VH-TL-E	T	32.3/16.7
D3000	1790001621	S.DIO 1SV308(TPL3F)	T	26.9/15.3
D3001	1790001621	S.DIO 1SV308(TPL3F)	T	25.2/16.5
D3002	1790001621	S.DIO 1SV308(TPL3F)	T	7.3/6.7
D3003	1790001621	S.DIO 1SV308(TPL3F)	T	8.1/8.5
D3004	1790001621	S.DIO 1SV308(TPL3F)	T	25.9/19.4
D3005	1790001621	S.DIO 1SV308(TPL3F)	T	8.1/9.8
D3006	1790001621	S.DIO 1SV308(TPL3F)	T	25.1/20.8
D3007	1790001621	S.DIO 1SV308(TPL3F)	T	7.3/11.7
D3008	1790001621	S.DIO 1SV308(TPL3F)	T	26.9/10.7
D3009	1790001621	S.DIO 1SV308(TPL3F)	T	9.0/5.9
D3010	1790001621	S.DIO 1SV308(TPL3F)	T	24.4/13.7
D3011	1790001621	S.DIO 1SV308(TPL3F)	T	10.1/9.3
D3012	1790001621	S.DIO 1SV308(TPL3F)	T	24.2/18.6
D3013	1790001621	S.DIO 1SV308(TPL3F)	T	8.9/12.8
D3014	1790001621	S.DIO 1SV308(TPL3F)	T	23.4/21.6
D3015	1790001621	S.DIO 1SV308(TPL3F)	T	7.3/14.3
L2200	6200010450	S.COI C2520C-R82G-A (0.82U)	T	35.2/15.8
L2201	6140002551	S.COI #617DB-1919=P3	T	30.8/11.9
L2202	6200011460	S.COI C2520C-10NG-A	T	5.0/20.9
L3000	6200006771	S.COI ELJRE 1N5ZFA	T	22.6/23.4
L3001	6200006781	S.COI ELJRE 1N8ZFA	T	19.5/22.6
L3002	6200005631	S.COI ELJRE 5N6ZFA	T	17.2/25.2
L3003	6200006981	S.COI ELJRE R10GFA	B	16.6/20.7
L3004	6200005611	S.COI ELJRE 3N9ZFA	T	9.2/25.9
L3050	6200006781	S.COI ELJRE 1N8ZFA	T	20.7/19.0
L3051	6200005591	S.COI ELJRE 2N7ZFA	T	17.6/18.3
L3052	6200005621	S.COI ELJRE 4N7ZFA	T	15.3/15.7
L3053	6200006981	S.COI ELJRE R10GFA	B	17.8/16.7
L3054	6200005611	S.COI ELJRE 3N9ZFA	T	13.4/14.9
L3100	6200005611	S.COI ELJRE 3N9ZFA	T	23.7/10.0
L3101	6200005601	S.COI ELJRE 3N3ZFA	T	20.6/12.2
L3102	6200005621	S.COI ELJRE 4N7ZFA	T	15.5/9.2
L3103	6200006981	S.COI ELJRE R10GFA	B	16.6/13.9
L3104	6200005621	S.COI ELJRE 4N7ZFA	T	12.3/9.6
L3150	6200005591	S.COI ELJRE 2N7ZFA	T	23.6/7.3
L3151	6200005621	S.COI ELJRE 4N7ZFA	T	20.5/5.9
L3152	6200005641	S.COI ELJRE 6N8ZFA	T	15.0/3.2
L3153	6200006981	S.COI ELJRE R10GFA	B	17.3/6.8
L3154	6200005641	S.COI ELJRE 6N8ZFA	T	12.2/3.7
R2202	7030003200	S.RES ERJ3GEYJ 100 V (10)	B	34.3/15.1
R2203	7030003400	S.RES ERJ3GEYJ 471 V (470)	B	31.6/12.1
R2204	7030003480	S.RES ERJ3GEYJ 222 V (2.2K)	B	29.0/12.1
R2205	7030003400	S.RES ERJ3GEYJ 471 V (470)	T	29.2/19.4
R2206	7030003340	S.RES ERJ3GEYJ 151 V (150)	T	31.0/19.0
R2207	7030003270	S.RES ERJ3GEYJ 390 V (39)	T	32.9/19.7
R2208	7030003340	S.RES ERJ3GEYJ 151 V (150)	T	31.0/20.2
R2213	7030003860	S.RES ERJ3GE JPW V	T	31.2/21.4
R2216	7030000010	S.RES MCR10EZHJ JPW (000)	B	8.6/24.7
R2217	7030008240	S.RES ERJ12Y0R00U	B	13.4/24.9
R2218	7030008240	S.RES ERJ12Y0R00U	B	27.1/24.9
R2220	7030000010	S.RES MCR10EZHJ JPW (000)	B	35.7/22.1
R2221	7030000010	S.RES MCR10EZHJ JPW (000)	B	35.7/18.1
R3000	7030003440	S.RES ERJ3GEYJ 102 V (1K)	T	26.7/23.0
R3001	7030003440	S.RES ERJ3GEYJ 102 V (1K)	B	22.6/22.0
R3002	7030003440	S.RES ERJ3GEYJ 102 V (1K)	B	11.5/20.1
R3003	7030000010	S.RES MCR10EZHJ JPW (000)	B	8.6/20.1
R3004	7030000010	S.RES MCR10EZHJ JPW (000)	B	14.3/20.3
R3005	7030000010	S.RES MCR10EZHJ JPW (000)	B	18.7/20.7
R3050	7030003440	S.RES ERJ3GEYJ 102 V (1K)	B	23.4/17.4
R3051	7030003440	S.RES ERJ3GEYJ 102 V (1K)	B	10.3/16.6
R3052	7030000010	S.RES MCR10EZHJ JPW (000)	B	8.1/17.0
R3053	7030000010	S.RES MCR10EZHJ JPW (000)	B	15.6/16.7
R3054	7030000010	S.RES MCR10EZHJ JPW (000)	B	21.1/16.7
R3100	7030003440	S.RES ERJ3GEYJ 102 V (1K)	B	24.1/13.7
R3101	7030003440	S.RES ERJ3GEYJ 102 V (1K)	B	11.0/12.2
R3102	7030000010	S.RES MCR10EZHJ JPW (000)	B	8.6/13.0
R3103	7030000010	S.RES MCR10EZHJ JPW (000)	B	13.8/13.9
R3104	7030000010	S.RES MCR10EZHJ JPW (000)	B	19.4/13.4
R3150	7030003440	S.RES ERJ3GEYJ 102 V (1K)	B	23.6/6.9
R3151	7030003440	S.RES ERJ3GEYJ 102 V (1K)	B	10.4/6.1
R3153	7030000010	S.RES MCR10EZHJ JPW (000)	B	8.2/6.8
R3154	7030000010	S.RES MCR10EZHJ JPW (000)	B	20.1/6.8
R3155	7030000010	S.RES MCR10EZHJ JPW (000)	B	14.6/6.8
C2201	4030017810	S.CER C1608 CH 1H 102J-T	B	31.2/10.9
C2202	4030017810	S.CER C1608 CH 1H 102J-T	T	32.3/7.3
C2203	4030017810	S.CER C1608 CH 1H 102J-T	T	29.3/7.3
C2204	4030017810	S.CER C1608 CH 1H 102J-T	T	34.8/18.9
C2205	4030017810	S.CER C1608 CH 1H 102J-T	T	28.6/21.4
C2211	4030007090	S.CER C1608 CH 1H 470J-T	T	30.5/7.3
C2212	4030007090	S.CER C1608 CH 1H 470J-T	B	31.2/9.7
C3000	4030009500	S.CER C1608 CH 1H 0R5B-T	T	23.4/25.3
C3002	4030017810	S.CER C1608 CH 1H 102J-T	B	20.3/21.5
C3003	4030009510	S.CER C1608 CH 1H 010B-T	T	21.9/25.3
C3004	4030009570	S.CER C1608 CH 1H 0R3B-T	T	20.7/22.6
C3005	4030009560	S.CER C1608 CH 1H R75B-T	T	20.7/25.2
C3006	4030009510	S.CER C1608 CH 1H 010B-T	T	18.3/22.6
C3007	4030009510	S.CER C1608 CH 1H 010B-T	T	15.9/22.6
C3008	4030009570	S.CER C1608 CH 1H 0R3B-T	T	14.7/22.6
C3009	4030017810	S.CER C1608 CH 1H 102J-T	B	10.8/21.9
C3010	4030009530	S.CER C1608 CH 1H 030B-T	T	11.1/25.2
C3018	4030009570	S.CER C1608 CH 1H 0R3B-T	T	13.5/22.6
C3020	4030009560	S.CER C1608 CH 1H R75B-T	T	12.3/22.6
C3050	4030009540	S.CER C1608 CH 1H 1R5B-T	T	22.6/17.1
C3051	4030009510	S.CER C1608 CH 1H 010B-T	T	20.7/17.8
C3052	4030017810	S.CER C1608 CH 1H 102J-T	B	25.3/16.7

[VCO2 UNIT]

REF NO.	PARTS NO.	DESCRIPTION	M.	H/V LOCATION
C3053	4030009540	S.CER C1608 CH 1H 1R5B-T	T	20.0/16.0
C3054	4030009570	S.CER C1608 CH 1H 0R3B-T	T	18.8/18.3
C3055	4030009540	S.CER C1608 CH 1H 1R5B-T	T	18.8/15.7
C3056	4030009510	S.CER C1608 CH 1H 010B-T	T	16.4/18.3
C3057	4030009530	S.CER C1608 CH 1H 030B-T	T	15.2/18.3
C3058	4030009560	S.CER C1608 CH 1H R75B-T	T	14.0/18.3
C3059	4030017810	S.CER C1608 CH 1H 102J-T	B	11.5/16.6
C3060	4030009910	S.CER C1608 CH 1H 040B-T	T	11.6/16.8
C3061	4030009510	S.CER C1608 CH 1H 010B-T	T	10.4/16.8
C3064	4030009510	S.CER C1608 CH 1H 010B-T	T	21.2/16.0
C3069	4030009910	S.CER C1608 CH 1H 040B-T	T	12.8/16.8
C3100	4030009540	S.CER C1608 CH 1H 1R5B-T	T	23.7/8.7
C3101	4030009560	S.CER C1608 CH 1H R75B-T	T	23.7/11.2
C3102	4030017810	S.CER C1608 CH 1H 102J-T	B	22.3/12.7
C3103	4030009550	S.CER C1608 CH 1H 2R5B-T	T	21.8/9.6
C3104	4030009510	S.CER C1608 CH 1H 010B-T	T	21.8/12.2
C3105	4030009520	S.CER C1608 CH 1H 020B-T	T	19.4/9.9
C3106	4030009520	S.CER C1608 CH 1H 020B-T	T	18.6/11.7
C3107	4030009910	S.CER C1608 CH 1H 040B-T	T	16.8/9.9
C3108	4030009510	S.CER C1608 CH 1H 010B-T	T	16.0/11.7
C3109	4030017810	S.CER C1608 CH 1H 102J-T	B	12.2/12.2
C3110	4030009920	S.CER C1608 CH 1H 050B-T	T	14.1/10.7
C3111	4030009540	S.CER C1608 CH 1H 1R5B-T	T	11.7/11.4
C3112	4030009350	S.CER C1608 CH 1H 3R5B-T	T	18.0/9.9
C3150	4030009520	S.CER C1608 CH 1H 020B-T	T	26.7/6.5
C3151	4030009540	S.CER C1608 CH 1H 1R5B-T	T	23.6/6.1
C3152	4030017810	S.CER C1608 CH 1H 102J-T	B	21.7/6.1
C3153	4030009530	S.CER C1608 CH 1H 030B-T	T	20.5/3.3
C3154	4030009500	S.CER C1608 CH 1H 0R5B-T	T	21.7/5.9
C3155	4030009520	S.CER C1608 CH 1H 020B-T	T	19.3/3.6
C3156	4030009550	S.CER C1608 CH 1H 2R5B-T	T	18.6/6.7
C3158	4030009500	S.CER C1608 CH 1H 0R5B-T	T	16.0/6.7
C3159	4030017810	S.CER C1608 CH 1H 102J-T	B	11.6/6.1
C3160	4030007010	S.CER C1608 CH 1H 100D-T	T	12.9/5.9
C3161	4030009540	S.CER C1608 CH 1H 1R5B-T	T	11.2/5.9
C3162	4030009910	S.CER C1608 CH 1H 040B-T	T	16.7/3.2
C3163	4030009500	S.CER C1608 CH 1H 0R5B-T	T	16.0/5.5
C3164	4030009500	S.CER C1608 CH 1H 0R5B-T	T	24.4/4.1
J2201	6910003821	CON IMSA-9230B-1-03Z003-PT1		
J2202	6910003871	CON IMSA-9230B-1-08Z003-PT1		

M.=Mounted side (T: Mounted on the Top side, B: Mounted on the Bottom side)
S.=Surface mount

[DOUBLER UNIT]

REF NO.	PARTS NO.	DESCRIPTION	M.	H/V LOCATION
D2751	1750000581	S.DIO 1SV307(TPH3F)	T	7.9/8.9
D2800	1750000581	S.DIO 1SV307(TPH3F)	T	22.0/8.0
D2850	1750000581	S.DIO 1SV307(TPH3F)	T	20.9/10.5
D2851	1750000581	S.DIO 1SV307(TPH3F)	T	22.0/12.9
D2852	1750000581	S.DIO 1SV307(TPH3F)	T	9.0/11.3
D2853	1750000581	S.DIO 1SV307(TPH3F)	T	7.9/13.8
L2800	6200005621	S.COI ELJRE 4N7ZFA	T	18.8/0.9
L2801	6200005641	S.COI ELJRE 6N8ZFA	T	15.4/1.7
L2802	6200005681	S.COI ELJRE 15NGFA	T	13.2/3.8
L2803	6200006981	S.COI ELJRE R10GFA	B	15.7/4.7
L2804	6200005661	S.COI ELJRE 10NGFA	T	7.3/3.2
L2850	6200005621	S.COI ELJRE 4N7ZFA	T	18.8/7.0
L2851	6200005631	S.COI ELJRE 5N6ZFA	T	15.5/7.8
L2852	6200005671	S.COI ELJRE 12NGFA	T	14.7/9.8
L2853	6200006981	S.COI ELJRE R10GFA	B	16.2/9.4
L2854	6200005651	S.COI ELJRE 8N2ZFA	T	12.7/10.6
L2900	6200005621	S.COI ELJRE 4N7ZFA	T	18.9/13.1
L2901	6200005631	S.COI ELJRE 5N6ZFA	T	15.5/13.9
L2902	6200005671	S.COI ELJRE 12NGFA	T	13.6/15.9
L2903	6200006981	S.COI ELJRE R10GFA	B	15.1/13.3
L2904	6200005651	S.COI ELJRE 8N2ZFA	T	11.7/16.5
R2150	7030003860	S.RES ERJ3GE JPW V	T	26.2/11.5
R2152	7030003860	S.RES ERJ3GE JPW V	T	25.5/9.7
R2800	7030003440	S.RES ERJ3GEYJ 102 V (1K)	B	21.2/4.7
R2801	7030003440	S.RES ERJ3GEYJ 102 V (1K)	B	10.5/4.7
R2851	7030003440	S.RES ERJ3GEYJ 102 V (1K)	B	18.8/8.2
R2852	7030003440	S.RES ERJ3GEYJ 102 V (1K)	B	11.9/10.1
R2900	7030003440	S.RES ERJ3GEYJ 102 V (1K)	B	19.0/13.3
R2901	7030003440	S.RES ERJ3GEYJ 102 V (1K)	B	10.8/14.9
C2800	4030009520	S.CER C1608 CH 1H 020B-T	B	23.0/6.6
C2801	4030009530	S.CER C1608 CH 1H 030B-T	T	18.8/2.2
C2802	4030017810	S.CER C1608 CH 1H 102J-T	B	18.5/4.7
C2803	4030009350	S.CER C1608 CH 1H 3R5B-T	T	18.0/4.3
C2804	4030009510	S.CER C1608 CH 1H 010B-T	T	16.7/1.7
C2805	4030009550	S.CER C1608 CH 1H 2R5B-T	T	15.4/4.3
C2806	4030009910	S.CER C1608 CH 1H 040B-T	T	14.0/1.7
C2807	4030009910	S.CER C1608 CH 1H 040B-T	T	12.7/1.7
C2808	4030009520	S.CER C1608 CH 1H 020B-T	T	11.4/1.7
C2809	4030017810	S.CER C1608 CH 1H 102J-T	B	13.1/4.7
C2810	4030007030	S.CER C1608 CH 1H 150J-T	T	9.3/2.4
C2811	4030009530	S.CER C1608 CH 1H 030B-T	T	9.9/3.7
C2850	4030009520	S.CER C1608 CH 1H 020B-T	B	21.4/9.4
C2851	4030009520	S.CER C1608 CH 1H 020B-T	T	18.8/8.2
C2852	4030017810	S.CER C1608 CH 1H 102J-T	B	18.0/10.1
C2853	4030009910	S.CER C1608 CH 1H 040B-T	T	18.1/10.3
C2854	4030009510	S.CER C1608 CH 1H 010B-T	T	16.8/7.8
C2855	4030009530	S.CER C1608 CH 1H 030B-T	T	16.8/10.4
C2856	4030009530	S.CER C1608 CH 1H 030B-T	T	13.5/7.0
C2857	4030009350	S.CER C1608 CH 1H 3R5B-T	T	13.4/8.6
C2858	4030009540	S.CER C1608 CH 1H 1R5B-T	T	10.9/7.0
C2859	4030017810	S.CER C1608 CH 1H 102J-T	B	14.3/10.1
C2860	4030007020	S.CER C1608 CH 1H 120J-T	T	11.4/9.0
C2861	4030009550	S.CER C1608 CH 1H 2R5B-T	T	10.1/9.0
C2900	4030009540	S.CER C1608 CH 1H 1R5B-T	B	21.6/13.3
C2901	4030009540	S.CER C1608 CH 1H 1R5B-T	T	18.9/14.4
C2902	4030017810	S.CER C1608 CH 1H 102J-T	B	17.1/14.1
C2903	4030009550	S.CER C1608 CH 1H 2R5B-T	T	18.1/16.5
C2904	4030009510	S.CER C1608 CH 1H 010B-T	T	16.8/13.9
C2905	4030009540	S.CER C1608 CH 1H 1R5B-T	T	15.5/16.5
C2906	4030009520	S.CER C1608 CH 1H 020B-T	T	14.2/13.9
C2907	4030009350	S.CER C1608 CH 1H 3R5B-T	T	12.9/13.9
C2908	4030009540	S.CER C1608 CH 1H 1R5B-T	T	10.9/13.1
C2909	4030017810	S.CER C1608 CH 1H 102J-T	B	13.1/14.1
C2910	4030007010	S.CER C1608 CH 1H 100D-T	T	10.9/14.7
C2911	4030009550	S.CER C1608 CH 1H 2R5B-T	T	9.4/16.0
J2101	6910003821	CON IMSA-9230B-1-03Z003-PT1		
J2102	6910003851	CON IMSA-9230B-1-06Z003-PT1		

[FIL1 UNIT]

REF NO.	PARTS NO.	DESCRIPTION	M.	H/V LOCATION
IC4450	1110006870	S.IC UPC2709TB-E3	T	7.1/16.2
D4500	1750000581	S.DIO 1SV307(TPH3F)	T	8.7/10.0
D4501	1750000581	S.DIO 1SV307(TPH3F)	T	8.7/6.7
D4502	1750000581	S.DIO 1SV307(TPH3F)	T	20.3/11.2
D4503	1750000581	S.DIO 1SV307(TPH3F)	T	20.3/7.8
L4452	6200010670	S.COI C2520C-R18G-A (0.18U)	T	6.3/13.2
L4500	6200005711	S.COI ELJRE 27NGFA	T	11.0/13.3
L4501	6200005701	S.COI ELJRE 22NGFA	T	13.2/11.4
L4502	6200006981	S.COI ELJRE R10GFA	B	15.0/12.2
L4503	6200005711	S.COI ELJRE 47NGFA	T	16.1/14.0
L4504	6200006991	S.COI ELJRE 56NGFA	T	19.6/14.6
L4550	6200005651	S.COI ELJRE 8N2ZFA	T	11.0/5.7
L4551	6200005641	S.COI ELJRE 6N8ZFA	T	13.2/7.7
L4552	6200006981	S.COI ELJRE R10GFA	B	14.7/6.9
L4553	6200005671	S.COI ELJRE 12NGFA	T	16.1/5.1
L4554	6200005681	S.COI ELJRE 15NGFA	T	19.6/4.4
R4451	7030003340	S.RES ERJ3GEYJ 151 V (150)	T	3.2/5.2
R4452	7030003260	S.RES ERJ3GEYJ 330 V (33)	T	2.0/6.7
R4454	7030003340	S.RES ERJ3GEYJ 151 V (150)	T	3.2/8.2
R4455	7030003200	S.RES ERJ3GEYJ 100 V (10)	B	4.3/13.2
R4500	7030003460	S.RES ERJ3GEYJ 152 V (1.5K)	T	7.2/7.1
R4501	7030003440	S.RES ERJ3GEYJ 102 V (1K)	B	11.1/12.2
R4502	7030003440	S.RES ERJ3GEYJ 102 V (1K)	B	19.5/12.3
R4503	7030003440	S.RES ERJ3GEYJ 102 V (1K)	T	21.9/10.9
R4550	7030003440	S.RES ERJ3GEYJ 102 V (1K)	B	10.2/6.4
R4551	7030003440	S.RES ERJ3GEYJ 102 V (1K)	B	19.5/6.9
C4458	4030017810	S.CER C1608 CH 1H 102J-T	T	2.0/9.5
C4459	4030017810	S.CER C1608 CH 1H 102J-T	T	5.2/15.8
C4460	4030017810	S.CER C1608 CH 1H 102J-T	B	6.1/14.8
C4500	4030017810	S.CER C1608 CH 1H 102J-T	T	7.2/9.7
C4501	4030007030	S.CER C1608 CH 1H 150J-T	T	11.0/14.6
C4502	4030009520	S.CER C1608 CH 1H 020B-T	T	10.3/11.4
C4503	4030007050	S.CER C1608 CH 1H 220J-T	T	13.2/14.0
C4504	4030017810	S.CER C1608 CH 1H 102J-T	B	13.0/12.9
C4505	4030011770	S.CER C1608 CH 1H 060B-T	T	11.7/11.4
C4506	4030007020	S.CER C1608 CH 1H 120J-T	T	14.6/14.0
C4507	4030007020	S.CER C1608 CH 1H 120J-T	T	14.6/11.4
C4508	4030017810	S.CER C1608 CH 1H 102J-T	B	17.2/12.9
C4509	4030007130	S.CER C1608 CH 1H 101J-T	T	16.1/11.4
C4510	4030007000	S.CER C1608 CH 1H 090D-T	T	18.1/10.7
C4511	4030007080	S.CER C1608 CH 1H 390J-T	T	18.1/13.4
C4512	4030007030	S.CER C1608 CH 1H 150J-T	T	18.1/12.1
C4514	4030017810	S.CER C1608 CH 1H 102J-T	T	21.9/8.1
C4550	4030009910	S.CER C1608 CH 1H 040B-T	T	8.0/4.5
C4551	4030009500	S.CER C1608 CH 1H 0R5B-T	T	10.3/7.7
C4552	4030011770	S.CER C1608 CH 1H 060B-T	T	13.2/5.1
C4553	4030017810	S.CER C1608 CH 1H 102J-T	B	12.2/6.1
C4554	4030009540	S.CER C1608 CH 1H 1R5B-T	T	11.7/7.7
C4555	4030009910	S.CER C1608 CH 1H 040B-T	T	14.6/5.1
C4556	4030009920	S.CER C1608 CH 1H 050B-T	T	14.6/7.7
C4557	4030017810	S.CER C1608 CH 1H 102J-T	B	17.1/6.1
C4558	4030007070	S.CER C1608 CH 1H 330J-T	T	16.1/7.7
C4559	4030009550	S.CER C1608 CH 1H 2R5B-T	T	18.1/8.4
C4560	4030007010	S.CER C1608 CH 1H 100D-T	T	18.1/5.7
C4561	4030009350	S.CER C1608 CH 1H 3R5B-T	T	18.1/6.9
J4451	6910003841	CON IMSA-9230B-1-05Z003-PT1		
J4452	6910003841	CON IMSA-9230B-1-05Z003-PT1		

M.=Mounted side (T: Mounted on the Top side, B: Mounted on the Bottom side)
S.=Surface mount

[FIL2 UNIT]

REF NO.	PARTS NO.	DESCRIPTION	M.	H/V LOCATION
IC1	1130012720	S.IC CD74HC4094PWR	T	12.1/8.1
IC101	1110006600	S.IC MGA-82563-TR1G	T	29.6/13.3
IC102	1110006970	S.IC MAALSS0038TR <M/A>	T	41.7/13.3
IC103	1110007060	S.IC UPC3223TB-E3	T	23.1/7.9
IC201	1190002110	S.IC NJG1519KC1-TE3-#ZZZB	T	43.1/26.1
IC202	1190002110	S.IC NJG1519KC1-TE3-#ZZZB	T	39.0/46.0
IC301	1110007050	S.IC SYM-30DHW+ <MRF>	T	20.5/46.3
L101	6200002611	S.COI NLV25T-R47J	T	19.8/92.2
L102	6200010940	S.COI C2520C-39NG-A	T	22.2/97.0
L103	6200002611	S.COI NLV25T-R47J	T	29.6/94.1
L104	6200010940	S.COI C2520C-39NG-A	T	45.3/12.65
L105	6200005681	S.COI ELJRE 15NGFA	T	23.1/5.7
L106	6200005011	S.COI NLV25T-100J	B	21.4/6.4
L209	6200005631	S.COI ELJRE 5N6ZFA	T	33.1/27.5
L210	6200005641	S.COI ELJRE 6N8ZFA	T	32.3/31.9
L211	6200005591	S.COI ELJRE 2N7ZFA	T	39.7/32.1
L212	6200005601	S.COI ELJRE 3N3ZFA	T	39.0/38.8
L213	6200006771	S.COI ELJRE 1N5ZFA	T	45.4/31.3
L214	6200006771	S.COI ELJRE 1N5ZFA	T	46.1/38.1
L215	6200005601	S.COI ELJRE 3N3ZFA	T	33.8/24.0
L301	6200010630	S.COI LQW18AN8N2D00D	T	33.9/55.2
L302	6200010140	S.COI LQW18AN3N9C00D	T	33.9/56.7
R1	7030003200	S.RES ERJ3GEYJ 100 V (10)	T	106.3/116.3
R2	7030008240	S.RES ERJ12Y0R00U	T	107.6/116.3
R3	7030008240	S.RES ERJ12Y0R00U	B	8.5/41.5
R4	7030008240	S.RES ERJ12Y0R00U	B	8.5/56.5
R5	7030003860	S.RES ERJ3GE JPW V	B	6.8/7.6
R6	7030003860	S.RES ERJ3GE JPW V	B	26.5/37.1
R7	7030003860	S.RES ERJ3GE JPW V	B	38.3/38.0
R8	7030003860	S.RES ERJ3GE JPW V	B	53.9/37.5
R9	7030003860	S.RES ERJ3GE JPW V	B	58.0/37.5
R10	7030003860	S.RES ERJ3GE JPW V	B	73.7/36.7
R11	7030003860	S.RES ERJ3GE JPW V	B	86.3/38.4
R12	7030003360	S.RES ERJ3GEYJ 221 V (220)	B	56.3/81.9
R13	7030003360	S.RES ERJ3GEYJ 221 V (220)	B	9.5/38.4
R14	7030003360	S.RES ERJ3GEYJ 221 V (220)	B	49.9/77.9
R15	7030000010	S.RES MCR10EZHH JPW (000)	B	31.4/37.1
R101	7030003250	S.RES ERJ3GEYJ 270 V (27)	T	34.1/90.2
R102	7030003360	S.RES ERJ3GEYJ 221 V (220)	T	97.2/11.3
R103	7030003360	S.RES ERJ3GEYJ 221 V (220)	T	45.75/90.7
R104	7030007860	S.RES ERJ3GEYJ 8R2V (8.2)	T	76.1/25.5
R105	7030003410	S.RES ERJ3GEYJ 561 V (560)	B	60.4/10.9
R106	7030003410	S.RES ERJ3GEYJ 561 V (560)	T	76.9/23.3
R107	7030007860	S.RES ERJ3GEYJ 8R2V (8.2)	T	78.4/10.8
R108	7030003410	S.RES ERJ3GEYJ 561 V (560)	T	79.1/12.7
R109	7030003410	S.RES ERJ3GEYJ 561 V (560)	T	77.6/12.7
R110	7030008240	S.RES ERJ12Y0R00U	T	75.4/23.3
R111	7030003370	S.RES ERJ3GEYJ 271 V (270)	B	80.3/40.9
R112	7030003370	S.RES ERJ3GEYJ 271 V (270)	B	90.0/18.4
R113	7030003230	S.RES ERJ3GEYJ 180 V (18)	B	91.9/17.7
R201	7030003440	S.RES ERJ3GEYJ 102 V (1K)	T	128.2/109.9
R202	7030003440	S.RES ERJ3GEYJ 102 V (1K)	T	129.5/109.9
R203	7030003440	S.RES ERJ3GEYJ 102 V (1K)	T	130.8/109.9
R204	7030003440	S.RES ERJ3GEYJ 102 V (1K)	T	132.1/109.9
R219	7030003440	S.RES ERJ3GEYJ 102 V (1K)	T	99.2/94.5
R220	7030003440	S.RES ERJ3GEYJ 102 V (1K)	B	108.9/89.5
R221	7030003440	S.RES ERJ3GEYJ 102 V (1K)	T	98.5/88.8
R222	7030003440	S.RES ERJ3GEYJ 102 V (1K)	B	37.6/49.2
R301	7030004030	S.RES ERJ3GEYJ 5R6 V (5.6)	T	25.2/55.2
R302	7030003430	S.RES ERJ3GEYJ 821 V (820)	T	22.9/55.9
R303	7030003430	S.RES ERJ3GEYJ 821 V (820)	T	27.4/55.9
R304	7030003280	S.RES ERJ3GEYJ 470 V (47)	T	29.4/56.7
C1	4030007010	S.CER C1608 CH 1H 100D-T	T	41.8/38.8
C2	4030007010	S.CER C1608 CH 1H 100D-T	T	39.9/13.2
C3	4030007010	S.CER C1608 CH 1H 100D-T	T	36.9/13.2
C4	4030007010	S.CER C1608 CH 1H 100D-T	T	26.0/38.8
C5	4030007010	S.CER C1608 CH 1H 100D-T	T	24.0/13.2
C6	4030007010	S.CER C1608 CH 1H 100D-T	T	21.0/13.2
C7	4030007010	S.CER C1608 CH 1H 100D-T	B	76.8/115.4
C8	4030011600	S.CER C1608 JB 1E 104K-T	T	131.4/74.7
C10	4030011340	S.CER C1608 CH 1H 471J-T	T	78.0/122.5
C11	4030011340	S.CER C1608 CH 1H 471J-T	B	13.5/19.6
C12	4030011340	S.CER C1608 CH 1H 471J-T	B	213.8/19.3
C13	4030011340	S.CER C1608 CH 1H 471J-T	T	78.9/106.7
C101	4030007010	S.CER C1608 CH 1H 100D-T	T	26.1/9.0
C102	4030006860	S.CER C1608 JB 1H 102K-T	T	26.1/11.8
C103	4030007130	S.CER C1608 CH 1H 101J-T	T	27.6/11.8
C104	4030017810	S.CER C1608 CH 1H 102J-T	T	32.0/8.8
C105	4030007130	S.CER C1608 CH 1H 101J-T	T	32.0/10.0
C106	4030007130	S.CER C1608 CH 1H 101J-T	T	35.8/14.0
C107	4030006860	S.CER C1608 JB 1H 102K-T	T	35.8/12.5
C108	4030007010	S.CER C1608 CH 1H 100D-T	T	37.3/11.0
C109	4030006860	S.CER C1608 JB 1H 102K-T	T	38.8/12.5
C110	4030007130	S.CER C1608 CH 1H 101J-T	T	38.8/14.0
C111	4030017810	S.CER C1608 CH 1H 102J-T	T	42.7/9.5
C112	4030007130	S.CER C1608 CH 1H 101J-T	T	42.7/10.7
C113	4030007130	S.CER C1608 CH 1H 101J-T	T	40.9/19.0
C114	4030006860	S.CER C1608 JB 1H 102K-T	T	42.4/19.0
C115	4030007010	S.CER C1608 CH 1H 100D-T	T	44.0/19.8
C116	4030007010	S.CER C1608 CH 1H 100D-T	T	23.1/13.1
C117	4030007010	S.CER C1608 CH 1H 100D-T	T	21.6/9.9
C118	4030006860	S.CER C1608 JB 1H 102K-T	T	21.6/11.1
C119	4030006900	S.CER C1608 JB 1H 103K-T	T	20.0/7.1
C120	4030007130	S.CER C1608 CH 1H 101J-T	T	21.2/7.1
C121	4030006860	S.CER C1608 JB 1H 102K-T	T	25.7/7.0
C122	4030007130	S.CER C1608 CH 1H 101J-T	T	25.7/5.7
C123	4030009550	S.CER C1608 CH 1H 2R5B-T	T	35.4/5.7
C124	4030009550	S.CER C1608 CH 1H 2R5B-T	T	30.4/4.4
C125	4030009550	S.CER C1608 CH 1H 2R5B-T	T	46.1/6.1

[FIL2 UNIT]

REF NO.	PARTS NO.	DESCRIPTION	M.	H/V LOCATION
C126	4030009550	S.CER C1608 CH 1H 2R5B-T	T	41.3/5.1
C127	4030009920	S.CER C1608 CH 1H 050B-T	B	21.5/8.3
C128	4030009920	S.CER C1608 CH 1H 050B-T	B	19.1/6.3
C202	4030007100	S.CER C1608 CH 1H 560J-T	B	46.4/27.4
C203	4030007100	S.CER C1608 CH 1H 560J-T	B	44.6/27.4
C204	4030007100	S.CER C1608 CH 1H 560J-T	B	41.5/27.4
C205	4030007100	S.CER C1608 CH 1H 560J-T	B	39.7/27.4
C230	4030011340	S.CER C1608 CH 1H 471J-T	T	39.8/24.8
C231	4030009520	S.CER C1608 CH 1H 020B-T	T	33.8/25.5
C232	4030009510	S.CER C1608 CH 1H 010B-T	T	31.6/27.5
C233	4030009520	S.CER C1608 CH 1H 020B-T	T	32.3/29.5
C235	4030009500	S.CER C1608 CH 1H 0R5B-T	T	32.3/33.4
C236	4030009510	S.CER C1608 CH 1H 010B-T	T	33.8/34.6
C237	4030011340	S.CER C1608 CH 1H 471J-T	T	33.4/36.7
C238	4030007170	S.CER C1608 CH 1H 221J-T	T	39.7/29.1
C239	4030009520	S.CER C1608 CH 1H 020B-T	T	37.5/29.8
C240	4030009500	S.CER C1608 CH 1H 0R5B-T	T	38.2/32.1
C241	4030009550	S.CER C1608 CH 1H 2R5B-T	T	39.0/35.8
C243	4030009570	S.CER C1608 CH 1H 0R3B-T	T	39.0/37.0
C244	4030009540	S.CER C1608 CH 1H 1R5B-T	T	37.5/40.3
C245	4030007170	S.CER C1608 CH 1H 221J-T	T	39.7/41.1
C246	4030007100	S.CER C1608 CH 1H 560J-T	T	46.1/29.1
C247	4030009510	S.CER C1608 CH 1H 010B-T	T	43.9/29.8
C249	4030009510	S.CER C1608 CH 1H 010B-T	T	45.4/35.8
C250	4030009500	S.CER C1608 CH 1H 0R5B-T	T	45.4/34.3
C252	4030009510	S.CER C1608 CH 1H 010B-T	T	43.9/40.3
C253	4030007100	S.CER C1608 CH 1H 560J-T	T	46.1/41.1
C259	4030007100	S.CER C1608 CH 1H 560J-T	B	40.2/44.6
C260	4030007100	S.CER C1608 CH 1H 560J-T	B	40.2/42.8
C261	4030007100	S.CER C1608 CH 1H 560J-T	B	40.2/49.2
C262	4030007100	S.CER C1608 CH 1H 560J-T	B	40.2/47.4
C263	4030009510	S.CER C1608 CH 1H 010B-T	T	37.9/25.7
C264	4030009520	S.CER C1608 CH 1H 020B-T	T	33.8/22.6
C265	4030007130	S.CER C1608 CH 1H 101J-T	T	45.3/22.2
C266	4030006860	S.CER C1608 JB 1H 102K-T	T	46.5/22.2
C306	4030006860	S.CER C1608 JB 1H 102K-T	T	28.8/47.4
C307	4030007130	S.CER C1608 CH 1H 101J-T	T	30.0/47.4
C310	4030009540	S.CER C1608 CH 1H 1R5B-T	T	31.7/55.9
C312	4030009350	S.CER C1608 CH 1H 3R5B-T	T	36.2/55.9
J1	6510019971	S.CON 52808-1071	B	10.3/11.8
J101	6510023480	S.CON AYU1-1P-02676-120-TF	B	22.8/11.8
J301	6510023480	S.CON AYU1-1P-02676-120-TF	B	7.7/48.9
J302	6510007020	CON TMP-J01X-V6	B	
W1	8900015660	CAB OPC-1596		
W2	8900015780	CAB OPC-1634		
EP11	6910015970	S.BEA MMZ1608B 301CT-AS	B	11.0/15.9
EP12	6910015970	S.BEA MMZ1608B 301CT-AS	B	11.4/3.4
EP13	6910015970	S.BEA MMZ1608B 301CT-AS	B	16.3/5.0
EP14	6910015970	S.BEA MMZ1608B 301CT-AS	B	13.5/17.0
EP101	6910015970	S.BEA MMZ1608B 301CT-AS	T	33.9/4.5
EP102	6910015970	S.BEA MMZ1608B 301CT-AS	T	44.6/4.9
EP103	6910015970	S.BEA MMZ1608B 301CT-AS	B	18.4/4.4
EP104	6910015970	S.BEA MMZ1608B 301CT-AS	B	30.5/4.3
EP105	6910015970	S.BEA MMZ1608B 301CT-AS	B	37.4/5.0

M.=Mounted side (T: Mounted on the Top side, B: Mounted on the Bottom side)
S.=Surface mount

[MIX1 UNIT]

REF NO.	PARTS NO.	DESCRIPTION	M.	H/V LOCATION
IC21	1190002051	S.IC SPM5001-TL-E	T	37.9/37.2
IC101	1110006870	S.IC UPC2709TB-E3	T	8.4/20.7
D101	1790001251	S.DIO MA2S1110GL	T	9.1/14.8
D102	1790001251	S.DIO MA2S1110GL	T	6.6/14.8
D121	1790001621	S.DIO 1SV308(TPL3F)	T	8.6/42.2
D122	1790001621	S.DIO 1SV308(TPL3F)	T	18.1/47.3
D141	1790001621	S.DIO 1SV308(TPL3F)	T	9.4/40.0
D142	1790001621	S.DIO 1SV308(TPL3F)	T	18.1/40.0
D161	1790001621	S.DIO 1SV308(TPL3F)	T	9.4/31.2
D162	1790001621	S.DIO 1SV308(TPL3F)	T	18.0/32.7
L1	6200010700	S.COI LQW18AN12NG00D	T	43.5/41.7
L2	6200010700	S.COI LQW18AN12NG00D	T	44.2/46.9
L3	6200010700	S.COI LQW18AN12NG00D	T	43.5/37.0
L21	6140004610	S.COI LR-520	T	33.8/47.5
L22	6130002961	S.COI #617DB-1327=P3	T	72.2/61.3
L23	6130002961	S.COI #617DB-1327=P3	T	76.8/65.2
L41	6200011050	S.COI C2012C-R12G-A	T	23.0/19.4
L42	6200010320	S.COI C2012C-R15G-A	T	27.4/18.4
L43	6200010310	S.COI C2012C-27NG-A	T	41.7/18.6
L44	6200010010	S.COI C2012C-39NG-A	T	45.9/17.7
L101	6200010350	S.COI C2012C-R27G-A	T	32.5/6.9
L102	6200001981	S.COI NLV25T-1R0J	T	32.8/12.7
L121	6200005721	S.COI ELJRE 33NGFA	T	12.25/45.75
L122	6200005721	S.COI ELJRE 33NGFA	T	14.5/46.5
L123	6200001981	S.COI NLV25T-1R0J	B	17.3/44.1
L141	6200005661	S.COI ELJRE 10NGFA	T	13.0/39.2
L142	6200005661	S.COI ELJRE 10NGFA	T	15.3/38.5
L143	6200001981	S.COI NLV25T-1R0J	B	18.0/37.2
L161	6200005651	S.COI ELJRE 8N2ZFA	T	12.3/31.2
L162	6200005651	S.COI ELJRE 8N2ZFA	T	14.5/31.9
L163	6200001981	S.COI NLV25T-1R0J	B	18.3/29.6
L181	6200001981	S.COI NLV25T-1R0J	T	22.2/38.6
L183	6200005651	S.COI ELJRE 8N2ZFA	T	24.9/42.3
R21	7030003860	S.RES ERJ3GE JPW V	T	198.5/18.5
R22	7030003860	S.RES ERJ3GE JPW V	B	189.9/19.0
R23	7030003320	S.RES ERJ3GEYJ 101 V (100)	T	196.0/19.2
R24	7030003320	S.RES ERJ3GEYJ 101 V (100)	B	182.6/10.7
R25	7030003260	S.RES ERJ3GEYJ 330 V (33)	B	189.2/9.5
R26	7030003300	S.RES ERJ3GEYJ 680 V (68)	B	187.2/9.5
R27	7030003300	S.RES ERJ3GEYJ 680 V (68)	B	191.2/9.5
R42	7030003860	S.RES ERJ3GE JPW V	T	35.9/20.1
R44	7030003280	S.RES ERJ3GEYJ 470 V (47)	T	44.0/17.4
R101	7030004030	S.RES ERJ3GEYJ 5R6 V (5.6)	T	7.5/12.6
R102	7030003430	S.RES ERJ3GEYJ 821 V (820)	T	9.8/11.8
R103	7030003430	S.RES ERJ3GEYJ 821 V (820)	T	9.8/13.3
R104	7030003200	S.RES ERJ3GEYJ 100 V (10)	T	11.6/18.1
R105	7030003410	S.RES ERJ3GEYJ 561 V (560)	T	9.4/29.1
R121	7030003410	S.RES ERJ3GEYJ 561 V (560)	B	19.6/43.1
R122	7030003680	S.RES ERJ3GEYJ 104 V (100K)	B	19.2/45.0
R141	7030003410	S.RES ERJ3GEYJ 561 V (560)	B	20.3/37.7
R142	7030003680	S.RES ERJ3GEYJ 104 V (100K)	B	19.1/40.3
R161	7030003410	S.RES ERJ3GEYJ 561 V (560)	B	19.5/27.4
R162	7030003680	S.RES ERJ3GEYJ 104 V (100K)	B	20.2/29.4
R181	7030003410	S.RES ERJ3GEYJ 561 V (560)	T	22.1/41.6
C1	4030009920	S.CER C1608 CH 1H 050B-T	B	12.2/18.5
C3	4030009920	S.CER C1608 CH 1H 050B-T	B	78.0/98.3
C5	4030009530	S.CER C1608 CH 1H 030B-T	B	63.6/98.3
C6	4030009530	S.CER C1608 CH 1H 030B-T	T	44.3/34.7
C21	4030006850	S.CER C1608 JB 1H 471K-T	T	29.0/49.2
C22	4030011600	S.CER C1608 JB 1E 104K-T	T	37.2/49.2
C23	4030011600	S.CER C1608 JB 1E 104K-T	T	30.4/49.2
C24	4030006850	S.CER C1608 JB 1H 471K-T	T	38.6/49.2
C29	4030006850	S.CER C1608 JB 1H 471K-T	T	37.5/24.2
C30	4030011600	S.CER C1608 JB 1E 104K-T	T	37.5/25.6
C31	4030006850	S.CER C1608 JB 1H 471K-T	T	33.1/31.6
C32	4030011600	S.CER C1608 JB 1E 104K-T	T	33.1/27.1
C33	4030011600	S.CER C1608 JB 1E 104K-T	T	31.6/31.6
C34	4030006850	S.CER C1608 JB 1H 471K-T	T	31.6/27.1
C42	4030007100	S.CER C1608 CH 1H 560J-T	T	41.9/13.9
C43	4030007070	S.CER C1608 CH 1H 330J-T	T	41.9/11.9
C44	4030007020	S.CER C1608 CH 1H 120J-T	T	36.6/17.8
C45	4030007020	S.CER C1608 CH 1H 120J-T	T	41.5/16.6
C101	4030006860	S.CER C1608 JB 1H 102K-T	T	7.5/18.1
C102	4030006860	S.CER C1608 JB 1H 102K-T	T	9.7/18.8
C103	4030006860	S.CER C1608 JB 1H 102K-T	T	8.5/22.7
C104	4030011600	S.CER C1608 JB 1E 104K-T	T	9.7/17.4
C121	4030007030	S.CER C1608 CH 1H 150J-T	T	11.5/48.0
C122	4030006860	S.CER C1608 JB 1H 102K-T	B	20.4/45.0
C123	4030007060	S.CER C1608 CH 1H 270J-T	T	13.0/48.0
C124	4030007030	S.CER C1608 CH 1H 150J-T	T	16.0/48.0
C141	4030009910	S.CER C1608 CH 1H 040B-T	T	11.5/40.7
C142	4030006860	S.CER C1608 JB 1H 102K-T	B	20.3/40.3
C143	4030006990	S.CER C1608 CH 1H 080D-T	T	14.5/40.7
C144	4030009910	S.CER C1608 CH 1H 040B-T	T	16.0/40.7
C161	4030009910	S.CER C1608 CH 1H 040B-T	T	11.5/33.4
C162	4030006860	S.CER C1608 JB 1H 102K-T	B	21.4/29.4
C163	4030006980	S.CER C1608 CH 1H 070D-T	T	13.0/33.4
C164	4030009910	S.CER C1608 CH 1H 040B-T	T	16.0/33.4
C181	4030006860	S.CER C1608 JB 1H 102K-T	T	22.9/43.8
C182	4030006990	S.CER C1608 CH 1H 080D-T	T	24.1/40.1
C184	4030006990	S.CER C1608 CH 1H 080D-T	T	25.6/40.1
C201	4030006860	S.CER C1608 JB 1H 102K-T	T	25.4/12.2
C202	4030006860	S.CER C1608 JB 1H 102K-T	B	20.3/12.2
C203	4030006860	S.CER C1608 JB 1H 102K-T	B	21.6/12.2
C204	4030006860	S.CER C1608 JB 1H 102K-T	B	22.9/12.2

[MIX1 UNIT]

REF NO.	PARTS NO.	DESCRIPTION	M.	H/V LOCATION
J1	6510007020	CON TMP-J01X-V6		
J41	6510007020	CON TMP-J01X-V6		
J101	6510007020	CON TMP-J01X-V6		
J201	6510019971	S.CON 52808-1071	B	22.0/7.0
EP31	6910015970	S.BEA MMZ1608B 301CT-AS	B	29.4/25.4
EP101	6910015970	S.BEA MMZ1608B 301CT-AS	B	16.0/15.5
EP102	6910002161	CAS CASE-BM7H-LF		
EP201	6910015970	S.BEA MMZ1608B 301CT-AS	B	22.9/15.7
EP202	6910015970	S.BEA MMZ1608B 301CT-AS	B	21.6/15.7
EP203	6910015970	S.BEA MMZ1608B 301CT-AS	B	20.3/15.7
EP204	6910015970	S.BEA MMZ1608B 301CT-AS	T	24.1/14.8
EP205	6910015970	S.BEA MMZ1608B 301CT-AS	T	22.8/12.2
EP206	6910015970	S.BEA MMZ1608B 301CT-AS	T	21.5/12.2
EP207	6910015970	S.BEA MMZ1608B 301CT-AS	T	20.2/12.2
EP208	6910015970	S.BEA MMZ1608B 301CT-AS	T	24.1/12.2

M.=Mounted side (T: Mounted on the Top side, B: Mounted on the Bottom side)
S.=Surface mount

[MIX2 UNIT]

REF NO.	PARTS NO.	DESCRIPTION	M.	H/V LOCATION
IC101	1110006970	S.IC MAALSS0038TR <M/A>	T	87.4/12.7
IC201	1110006970	S.IC MAALSS0038TR <M/A>	T	46.4/43.7
IC202	1110006970	S.IC MAALSS0038TR <M/A>	T	33.2/42.3
IC601	1110006180	S.IC UPG2009TB-E3	T	158.6/24.3
IC602	1110006180	S.IC UPG2009TB-E3	T	158.6/16.4
IC701	1110006180	S.IC UPG2009TB-E3	T	152.8/11.6
IC702	1110006180	S.IC UPG2009TB-E3	T	144.9/11.6
IC801	1110006180	S.IC UPG2009TB-E3	T	139.3/10.4
IC802	1110007110	S.IC HELA-10+ <MRF>	T	120.7/9.5
IC803	1110006180	S.IC UPG2009TB-E3	T	105.5/19.9
IC1201	1130005721	S.IC TC7W04F(TE12LF)	T	32.9/12.2
Q201	1530004120	S.TRA NESG2101M05-T1	T	40.2/31.3
Q1202	1590003930	S.TRA UMD22N TR	T	35.7/21.8
Q1203	1590003630	S.TRA EMD29-T2R	T	32.1/21.8
Q1204	1590003630	S.TRA EMD29-T2R	T	37.7/8.1
Q1205	1590003940	S.TRA RN1105(T855LF)	T	30.9/4.3
Q1206	1590003930	S.TRA UMD22N TR	T	42.4/22.5
Q1207	1590003930	S.TRA UMD22N TR	T	42.4/13.8
Q1208	1590003930	S.TRA UMD22N TR	T	42.4/19.6
Q1209	1590003930	S.TRA UMD22N TR	T	42.4/16.7
Q1210	1550000090	S.FET RSQ035P03TR	T	35.0/2.5
D101	1750000550	S.DIO 1SS355 TE-17	B	94.4/44.2
D102	1750000550	S.DIO 1SS355 TE-17	B	98.3/13.3
D103	1750000550	S.DIO 1SS355 TE-17	B	62.0/12.7
D104	1750000550	S.DIO 1SS355 TE-17	B	79.2/42.8
D201	1750000550	S.DIO 1SS355 TE-17	B	65.9/48.7
D202	1750000550	S.DIO 1SS355 TE-17	B	22.5/44.9
D501	1750000550	S.DIO 1SS355 TE-17	B	136.7/25.0
L1	6200011730	S.COI LQW18AN10NG00D	T	111.9/39.3
L2	6200010120	S.COI LQW18AN5N6C00D	T	106.9/32.8
L3	6200010120	S.COI LQW18AN5N6C00D	T	104.2/32.8
L101	6200001831	S.COI NLV32T-100J	T	10.9/21.6
L102	6200005731	S.COI ELJRE 39NGFA	T	12.4/28.8
L201	6200007670	S.COI LQW2BHN10NJ03L	T	55.4/33.85
L202	6200005631	S.COI ELJRE 5N6ZFA	T	51.0/32.9
L203	6200005621	S.COI ELJRE 4N7ZFA	T	47.6/34.0
L204	6200011870	S.COI LQW18AN2N2D00D	T	53.0/46.7
L205	6200011870	S.COI LQW18AN2N2D00D	T	51.5/46.7
L206	6200007670	S.COI LQW2BHN10NJ03L	T	37.9/30.7
L207	6200005731	S.COI ELJRE 39NGFA	T	44.4/42.7
L208	6200006781	S.COI ELJRE 1N8ZFA	T	34.9/29.6
L209	6200005601	S.COI ELJRE 3N3ZFA	T	31.7/30.4
L210	6200005611	S.COI ELJRE 3N9ZFA	T	29.4/29.6
L211	6200006771	S.COI ELJRE 1N5ZFA	T	42.2/43.4
L212	6200006771	S.COI ELJRE 1N5ZFA	T	39.6/44.6
L213	6200001831	S.COI NLV32T-100J	B	41.4/39.9
L214	6200005731	S.COI ELJRE 39NGFA	T	33.1/40.3
L215	6200001831	S.COI NLV32T-100J	T	39.4/40.7
L216	6200012310	S.COI LQW18AN4N7D00D	T	55.2/45.6
L217	6200010630	S.COI LQW18AN8N2D00D	T	30.8/46.7
L218	6200012310	S.COI LQW18AN4N7D00D	T	28.8/47.4
L219	6200012320	S.COI LQW18AN3N6D00D	T	26.6/47.8
L501	6200010660	S.COI C2520C-R15G-A (0.15U)	T	155.5/31.2
L502	6200010670	S.COI C2520C-R18G-A (0.18U)	T	159.7/30.4
L503	6200010670	S.COI C2520C-R18G-A (0.18U)	T	151.7/30.4
L521	6200007780	S.COI LQW2BHN12J03L	B	152.6/38.6
L522	6200008570	S.COI LQW2BHN6N8D03L	B	143.8/40.1
L801	6130003020	S.COI ADTL1-12+ <MRF>	T	133.1/9.6
L802	6200010870	S.COI C2520C-R33G-A (0.33U)	T	113.5/6.6
L803	6200010870	S.COI C2520C-R33G-A (0.33U)	T	113.4/12.3
L804	6130003020	S.COI ADTL1-12+ <MRF>	T	105.6/9.5
R1	7030003560	S.RES ERJ3GEYJ 103 V (10K)	T	8.6/6.3
R101	7030003200	S.RES ERJ3GEYJ 100 V (10)	B	91.5/42.65
R102	7030003200	S.RES ERJ3GEYJ 100 V (10)	T	45.8/88.8
R104	7030003350	S.RES ERJ3GEYJ 181 V (180)	T	34.5/88.3
R105	7030003200	S.RES ERJ3GEYJ 100 V (10)	T	34.1/91.5
R106	7030003300	S.RES ERJ3GEYJ 680 V (68)	B	69.4/75.1
R107	7030004030	S.RES ERJ3GEYJ 5R6 V (5.6)	B	64.2/75.1
R108	7030003430	S.RES ERJ3GEYJ 821 V (820)	B	63.2/64.6
R109	7030003430	S.RES ERJ3GEYJ 821 V (820)	B	66.8/73.8
R110	7030003300	S.RES ERJ3GEYJ 680 V (68)	T	69.6/64.4
R111	7030003200	S.RES ERJ3GEYJ 100 V (10)	B	69.4/73.8
R112	7030003430	S.RES ERJ3GEYJ 821 V (820)	T	68.3/64.4
R113	7030004030	S.RES ERJ3GEYJ 5R6 V (5.6)	B	64.2/73.8
R114	7030003430	S.RES ERJ3GEYJ 821 V (820)	B	90.0/16.9
R115	7030003380	S.RES ERJ3GEYJ 331 V (330)	T	83.6/10.0
R120	7030000010	S.RES MCR10EZHJ JPW (000)	B	51.5/40.7
R121	7030000010	S.RES MCR10EZHJ JPW (000)	B	46.2/51.6
R201	7030003200	S.RES ERJ3GEYJ 100 V (10)	B	67.0/50.8
R202	7030003500	S.RES ERJ3GEYJ 332 V (3.3K)	T	43.7/28.8
R203	7030003280	S.RES ERJ3GEYJ 470 V (47)	B	35.1/28.9
R204	7030003480	S.RES ERJ3GEYJ 222 V (2.2K)	T	44.9/33.3
R205	7030003270	S.RES ERJ3GEYJ 390 V (39)	T	43.0/30.7
R206	7030003200	S.RES ERJ3GEYJ 100 V (10)	T	37.9/34.0
R212	7030003200	S.RES ERJ3GEYJ 100 V (10)	B	21.5/48.3
R213	7030003430	S.RES ERJ3GEYJ 821 V (820)	T	50.0/46.7
R214	7030004030	S.RES ERJ3GEYJ 5R6 V (5.6)	T	49.2/43.6
R215	7030003430	S.RES ERJ3GEYJ 821 V (820)	T	48.5/46.7
R216	7030003430	S.RES ERJ3GEYJ 821 V (820)	T	36.7/46.7
R217	7030004030	S.RES ERJ3GEYJ 5R6 V (5.6)	T	36.3/43.4
R218	7030003430	S.RES ERJ3GEYJ 821 V (820)	T	35.5/46.7
R220	7030003400	S.RES ERJ3GEYJ 471 V (470)	B	20.1/26.3
R221	7030003200	S.RES ERJ3GEYJ 100 V (10)	B	19.4/24.1
R222	7030003400	S.RES ERJ3GEYJ 471 V (470)	B	18.6/26.3
R501	7540000260	ABS SA05C 201M	T	
R502	7030003680	S.RES ERJ3GEYJ 104 V (100K)	T	141.3/44.3
R503	7030003200	S.RES ERJ3GEYJ 100 V (10)	B	132.9/24.0

[MIX2 UNIT]

REF NO.	PARTS NO.	DESCRIPTION	M.	H/V LOCATION
R601	7030003440	S.RES ERJ3GEYJ 102 V (1K)	B	153.2/25.2
R602	7030003290	S.RES ERJ3GEYJ 560 V (56)	T	163.4/21.1
R603	7030003360	S.RES ERJ3GEYJ 221 V (220)	T	161.5/20.3
R604	7030003290	S.RES ERJ3GEYJ 560 V (56)	T	163.4/19.6
R605	7030003440	S.RES ERJ3GEYJ 102 V (1K)	B	156.1/16.2
R606	7030003440	S.RES ERJ3GEYJ 102 V (1K)	B	161.7/15.5
R607	7030003440	S.RES ERJ3GEYJ 102 V (1K)	B	161.7/24.3
R701	7030003440	S.RES ERJ3GEYJ 102 V (1K)	B	152.6/15.8
R702	7030003300	S.RES ERJ3GEYJ 680 V (68)	T	148.8/8.3
R703	7030003320	S.RES ERJ3GEYJ 101 V (100)	T	149.6/6.5
R704	7030003320	S.RES ERJ3GEYJ 101 V (100)	T	148.1/6.5
R705	7030003440	S.RES ERJ3GEYJ 102 V (1K)	B	144.0/15.8
R706	7030003440	S.RES ERJ3GEYJ 102 V (1K)	B	144.0/7.3
R707	7030003440	S.RES ERJ3GEYJ 102 V (1K)	B	153.7/7.3
R801	7030003440	S.RES ERJ3GEYJ 102 V (1K)	B	140.2/6.4
R802	7030003440	S.RES ERJ3GEYJ 102 V (1K)	B	140.2/14.5
R803	7030003860	S.RES ERJ3GE JPW V	T	105.2/15.4
R804	7030003440	S.RES ERJ3GEYJ 102 V (1K)	T	103.1/14.7
R806	7030003440	S.RES ERJ3GEYJ 102 V (1K)	B	102.8/18.1
R807	7030003440	S.RES ERJ3GEYJ 102 V (1K)	B	106.5/21.7
R809	7030003440	S.RES ERJ3GEYJ 102 V (1K)	T	137.7/5.3
R1207	7030003680	S.RES ERJ3GEYJ 104 V (100K)	T	31.3/2.1
R1208	7030003440	S.RES ERJ3GEYJ 102 V (1K)	T	32.6/3.6
C1	4030009920	S.CER C1608 CH 1H 050B-T	T	44.3/39.1
C2	4030009530	S.CER C1608 CH 1H 030B-T	B	13.6/5.0
C3	4030009520	S.CER C1608 CH 1H 020B-T	B	11.4/5.8
C4	4030006980	S.CER C1608 CH 1H 070D-T	B	9.8/18.5
C6	4030009540	S.CER C1608 CH 1H 1R5B-T	B	81.6/115.4
C7	4030007050	S.CER C1608 CH 1H 22J-T	T	104.2/35.4
C8	4030009550	S.CER C1608 CH 1H 2R5B-T	T	84.4/122.5
C101	4030006860	S.CER C1608 JB 1H 102K-T	B	94.1/42.7
C102	4030006860	S.CER C1608 JB 1H 102K-T	T	98.0/14.8
C104	4030006860	S.CER C1608 JB 1H 102K-T	T	85.6/7.2
C105	4030007130	S.CER C1608 CH 1H 101J-T	T	85.6/9.9
C106	4030007130	S.CER C1608 CH 1H 101J-T	T	81.1/10.8
C107	4030006860	S.CER C1608 JB 1H 102K-T	B	63.9/12.4
C109	4030006860	S.CER C1608 JB 1H 102K-T	B	79.5/44.4
C110	4030007130	S.CER C1608 CH 1H 101J-T	T	90.4/13.6
C111	4030009500	S.CER C1608 CH 1H 0R5B-T	B	84.0/44.5
C112	4030009500	S.CER C1608 CH 1H 0R5B-T	B	74.4/44.1
C113	4030009570	S.CER C1608 CH 1H 0R3B-T	B	84.3/32.4
C115	4030009500	S.CER C1608 CH 1H 0R5B-T	B	74.1/11.1
C116	4030009560	S.CER C1608 CH 1H 0R75B-T	T	80.4/12.7
C117	4030009920	S.CER C1608 CH 1H 050B-T	B	93.1/17.7
C118	4030009920	S.CER C1608 CH 1H 050B-T	T	78.4/9.6
C119	4030009560	S.CER C1608 CH 1H 0R75B-T	T	89.6/11.8
C122	4030009570	S.CER C1608 CH 1H 0R3B-T	B	74.1/36.8
C123	4030007090	S.CER C1608 CH 1H 470J-T	T	80.0/3.8
C201	4030006860	S.CER C1608 JB 1H 102K-T	B	66.2/47.2
C202	4030007090	S.CER C1608 CH 1H 470J-T	T	43.7/26.2
C203	4030007090	S.CER C1608 CH 1H 470J-T	B	35.1/31.5
C204	4030009520	S.CER C1608 CH 1H 020B-T	T	54.8/27.6
C205	4030009510	S.CER C1608 CH 1H 010B-T	T	54.1/30.3
C206	4030009520	S.CER C1608 CH 1H 020B-T	T	55.4/30.5
C207	4030009510	S.CER C1608 CH 1H 010B-T	T	52.1/29.3
C208	4030011770	S.CER C1608 CH 1H 060B-T	T	50.2/30.3
C209	4030009510	S.CER C1608 CH 1H 010B-T	T	48.3/29.5
C210	4030007030	S.CER C1608 CH 1H 150J-T	T	47.6/31.4
C212	4030009510	S.CER C1608 CH 1H 010B-T	T	53.7/40.6
C213	4030009350	S.CER C1608 CH 1H 3R5B-T	T	53.0/44.0
C215	4030009510	S.CER C1608 CH 1H 010B-T	T	52.2/42.0
C216	4030007010	S.CER C1608 CH 1H 100D-T	T	51.5/44.0
C218	4030009540	S.CER C1608 CH 1H 1R5B-T	T	50.0/41.7
C219	4030006850	S.CER C1608 JB 1H 471K-T	B	36.5/31.5
C220	4030009520	S.CER C1608 CH 1H 020B-T	T	35.7/31.7
C221	4030009550	S.CER C1608 CH 1H 2R5B-T	T	45.7/30.7
C222	4030009520	S.CER C1608 CH 1H 020B-T	T	41.1/34.0
C223	4030009520	S.CER C1608 CH 1H 020B-T	T	42.7/34.0
C224	4030009520	S.CER C1608 CH 1H 020B-T	T	39.5/34.0
C225	4030007130	S.CER C1608 CH 1H 101J-T	B	44.8/40.7
C228	4030009520	S.CER C1608 CH 1H 020B-T	T	43.7/44.6
C229	4030009510	S.CER C1608 CH 1H 010B-T	T	33.7/32.5
C230	4030009500	S.CER C1608 CH 1H 0R5B-T	T	33.7/29.6
C231	4030009510	S.CER C1608 CH 1H 010B-T	T	32.4/32.5
C232	4030009560	S.CER C1608 CH 1H 0R75B-T	T	31.7/29.1
C233	4030009500	S.CER C1608 CH 1H 0R5B-T	T	30.9/32.5
C234	4030009500	S.CER C1608 CH 1H 0R5B-T	T	29.4/32.5
C235	4030009500	S.CER C1608 CH 1H 0R5B-T	T	30.2/27.8
C238	4030009570	S.CER C1608 CH 1H 0R3B-T	T	42.9/46.7
C239	4030009500	S.CER C1608 CH 1H 0R5B-T	T	41.5/46.7
C240	4030009500	S.CER C1608 CH 1H 0R5B-T	T	40.3/46.7
C241	4030009570	S.CER C1608 CH 1H 0R3B-T	T	39.6/43.4
C242	4030009500	S.CER C1608 CH 1H 0R5B-T	T	27.3/29.6
C243</				

[MIX2 UNIT]

REF NO.	PARTS NO.	DESCRIPTION	M.	H/V LOCATION
C268	4030009510	S.CER C1608 CH 1H 010B-T	T	29.3/42.5
C269	4030009560	S.CER C1608 CH 1H R75B-T	T	28.1/45.4
C270	4030009510	S.CER C1608 CH 1H 010B-T	T	29.3/45.4
C271	4030009560	S.CER C1608 CH 1H R75B-T	T	27.3/43.3
C272	4030009920	S.CER C1608 CH 1H 050B-T	T	26.6/45.2
C273	4030009560	S.CER C1608 CH 1H R75B-T	T	26.6/41.3
C501	4030006860	S.CER C1608 JB 1H 102K-T	B	135.2/24.7
C502	4030007100	S.CER C1608 CH 1H 560J-T	T	154.0/28.1
C504	4030007100	S.CER C1608 CH 1H 560J-T	T	156.6/28.1
C506	4030007130	S.CER C1608 CH 1H 101J-T	T	158.6/27.4
C508	4030007130	S.CER C1608 CH 1H 101J-T	T	151.1/28.1
C521	4030007020	S.CER C1608 CH 1H 120J-T	B	154.6/41.0
C522	4030007020	S.CER C1608 CH 1H 120J-T	B	153.4/41.0
C523	4030007020	S.CER C1608 CH 1H 120J-T	B	151.8/41.0
C524	4030007020	S.CER C1608 CH 1H 120J-T	B	150.6/41.0
C525	4030009540	S.CER C1608 CH 1H 1R5B-T	B	142.1/44.9
C526	4030009520	S.CER C1608 CH 1H 020B-T	B	140.9/39.3
C601	4030006860	S.CER C1608 JB 1H 102K-T	T	156.1/24.4
C602	4030006860	S.CER C1608 JB 1H 102K-T	T	161.1/25.9
C603	4030017810	S.CER C1608 CH 1H 102J-T	T	161.1/23.4
C604	4030006900	S.CER C1608 JB 1H 103K-T	T	161.1/22.2
C605	4030006900	S.CER C1608 JB 1H 103K-T	T	157.8/20.4
C606	4030017810	S.CER C1608 CH 1H 102J-T	T	156.6/20.4
C607	4030006900	S.CER C1608 JB 1H 103K-T	T	161.1/17.3
C608	4030017810	S.CER C1608 CH 1H 102J-T	T	161.1/18.5
C609	4030006860	S.CER C1608 JB 1H 102K-T	T	156.1/16.4
C610	4030006860	S.CER C1608 JB 1H 102K-T	T	161.7/15.5
C611	4030017810	S.CER C1608 CH 1H 102J-T	T	155.7/13.1
C612	4030006900	S.CER C1608 JB 1H 103K-T	T	155.7/14.3
C701	4030006860	S.CER C1608 JB 1H 102K-T	T	152.9/13.8
C702	4030006860	S.CER C1608 JB 1H 102K-T	T	153.7/8.3
C703	4030006900	S.CER C1608 JB 1H 103K-T	T	151.9/9.1
C704	4030017810	S.CER C1608 CH 1H 102J-T	T	150.7/9.1
C705	4030006900	S.CER C1608 JB 1H 103K-T	T	148.8/12.3
C706	4030017810	S.CER C1608 CH 1H 102J-T	T	148.8/13.5
C707	4030006900	S.CER C1608 JB 1H 103K-T	T	147.0/9.1
C708	4030017810	S.CER C1608 CH 1H 102J-T	T	145.8/9.1
C709	4030006860	S.CER C1608 JB 1H 102K-T	T	144.7/14.0
C710	4030006860	S.CER C1608 JB 1H 102K-T	T	144.0/8.2
C711	4030017810	S.CER C1608 CH 1H 102J-T	T	142.1/10.4
C712	4030006900	S.CER C1608 JB 1H 103K-T	T	142.1/11.6
C801	4030006860	S.CER C1608 JB 1H 102K-T	T	141.2/8.0
C802	4030006860	S.CER C1608 JB 1H 102K-T	T	140.2/13.6
C803	4030017810	S.CER C1608 CH 1H 102J-T	T	127.8/8.0
C804	4030006900	S.CER C1608 JB 1H 103K-T	T	127.8/6.8
C805	4030006900	S.CER C1608 JB 1H 103K-T	T	111.6/19.9
C806	4030017810	S.CER C1608 CH 1H 102J-T	T	110.3/19.9
C807	4030006900	S.CER C1608 JB 1H 103K-T	T	127.8/12.4
C808	4030017810	S.CER C1608 CH 1H 102J-T	T	127.8/10.9
C809	4030006860	S.CER C1608 JB 1H 102K-T	T	114.8/3.0
C810	4030006900	S.CER C1608 JB 1H 103K-T	T	113.0/2.8
C812	4030006860	S.CER C1608 JB 1H 102K-T	T	102.8/18.1
C813	4030006860	S.CER C1608 JB 1H 102K-T	T	106.4/22.2
C814	4030017810	S.CER C1608 CH 1H 102J-T	T	101.8/20.7
C815	4030006900	S.CER C1608 JB 1H 103K-T	T	103.0/20.7
C816	4030006900	S.CER C1608 JB 1H 103K-T	T	115.3/15.0
C817	4030006860	S.CER C1608 JB 1H 102K-T	T	111.5/15.0
C819	4030006900	S.CER C1608 JB 1H 103K-T	T	110.8/6.9
C820	4030017810	S.CER C1608 CH 1H 102J-T	T	110.8/8.2
C821	4030017810	S.CER C1608 CH 1H 102J-T	T	110.8/12.1
C822	4030006900	S.CER C1608 JB 1H 103K-T	T	110.8/10.8
C823	4030006900	S.CER C1608 JB 1H 103K-T	T	107.7/16.9
C824	4030017810	S.CER C1608 CH 1H 102J-T	T	106.4/16.9
C825	4030017810	S.CER C1608 CH 1H 102J-T	T	138.9/7.9
C826	4030006900	S.CER C1608 JB 1H 103K-T	T	137.7/7.9
C1001	4030006860	S.CER C1608 JB 1H 102K-T	B	24.9/20.2
C1002	4030006860	S.CER C1608 JB 1H 102K-T	B	22.4/19.0
C1003	4030006860	S.CER C1608 JB 1H 102K-T	B	21.6/17.8
C1004	4030006860	S.CER C1608 JB 1H 102K-T	B	22.4/16.6
C1005	4030006860	S.CER C1608 JB 1H 102K-T	B	21.6/15.4
C1006	4030006860	S.CER C1608 JB 1H 102K-T	B	22.3/14.2
C1007	4030006860	S.CER C1608 JB 1H 102K-T	B	21.5/13.0
C1008	4030006860	S.CER C1608 JB 1H 102K-T	B	22.3/11.8
C1009	4030006860	S.CER C1608 JB 1H 102K-T	B	21.5/10.6
C1010	4030006860	S.CER C1608 JB 1H 102K-T	B	22.3/9.4
C1201	4030011600	S.CER C1608 JB 1E 104K-T	T	34.9/16.1
C1202	4030011600	S.CER C1608 JB 1E 104K-T	T	33.0/16.3
RL101	6330001840	REL ARE1009		
RL102	6330001840	REL ARE1009		
RL103	6330001840	REL ARE1009		
RL104	6330001840	REL ARE1009		
RL201	6330001840	REL ARE1009		
RL202	6330000810	REL ARK115		
RL501	6330000810	REL ARK115		
J1	6510007020	CON TMP-J01X-V6		
J2	6510023480	S.CON AYU1-1P-02676-120-TF	T	6.1/43.3
J3	6510023480	S.CON AYU1-1P-02676-120-TF	B	94.4/61.2
J1001	6510019981	S.CON 52808-1671(1690)	T	17.6/15.1
EP801	6910014730	S.BEA MPZ2012S331A-T	B	103.5/8.1
EP1001	6910015970	S.BEA MMZ1608B 301CT-AS	T	22.4/20.9
EP1002	6910015970	S.BEA MMZ1608B 301CT-AS	T	22.4/19.7
EP1003	6910015970	S.BEA MMZ1608B 301CT-AS	T	22.4/18.5
EP1004	6910014730	S.BEA MPZ2012S331A-T	T	22.1/16.9
EP1005	6910015970	S.BEA MMZ1608B 301CT-AS	T	22.4/15.4
EP1006	6910015970	S.BEA MMZ1608B 301CT-AS	T	22.3/14.2
EP1007	6910015970	S.BEA MMZ1608B 301CT-AS	T	22.3/13.0
EP1008	6910015970	S.BEA MMZ1608B 301CT-AS	T	22.3/11.8
EP1009	6910015970	S.BEA MMZ1608B 301CT-AS	T	22.3/10.6
EP1010	6910015970	S.BEA MMZ1608B 301CT-AS	T	22.3/9.4

[MIX2 UNIT]

REF NO.	PARTS NO.	DESCRIPTION	M.	H/V LOCATION
EP1101	6910015970	S.BEA MMZ1608B 301CT-AS	B	28.4/21.1
EP1102	6910015970	S.BEA MMZ1608B 301CT-AS	T	26.1/19.0
EP1103	6910015970	S.BEA MMZ1608B 301CT-AS	T	28.7/18.2
EP1104	6910014730	S.BEA MPZ2012S331A-T	T	26.4/16.9
EP1105	6910015970	S.BEA MMZ1608B 301CT-AS	T	26.1/15.4
EP1106	6910015970	S.BEA MMZ1608B 301CT-AS	T	26.1/14.2
EP1107	6910015970	S.BEA MMZ1608B 301CT-AS	T	26.1/13.0
EP1108	6910015970	S.BEA MMZ1608B 301CT-AS	T	26.1/11.8
EP1109	6910015970	S.BEA MMZ1608B 301CT-AS	T	26.1/10.6
EP1110	6910015970	S.BEA MMZ1608B 301CT-AS	B	26.0/9.4
EP1201	6910014730	S.BEA MPZ2012S331A-T	T	29.7/16.5

M.=Mounted side (T: Mounted on the Top side, B: Mounted on the Bottom side)
S.=Surface mount

[VCO-A UNIT]

REF NO.	PARTS NO.	DESCRIPTION	M.	H/V LOCATION
Q1301	1560000491	S.FET 2SK508-T2B-A K52	T	5.3/9.7
Q1302	1530003550	S.TRA 2SC5193-T1	T	8.0/18.4
Q1303	1530002060	S.TRA 2SC4081 T106 R	B	6.5/16.2
D1301	1720000261	S.VAR 1SV214(TPH2F)	T	33.7/10.1
D1302	1720000261	S.VAR 1SV214(TPH2F)	T	33.7/17.6
D1303	1720000261	S.VAR 1SV214(TPH2F)	T	33.7/11.9
D1304	1720000261	S.VAR 1SV214(TPH2F)	T	33.7/19.3
D1307	1790001621	S.DIO 1SV308(TPL3F)	T	2.3/26.7
D1308	1790001621	S.DIO 1SV308(TPL3F)	T	1.5/24.9
L1001	6200010780	S.COI C2520C-1R0G-A	T	2.3/31.5
L1301	6200010740	S.COI C2520C-R27G-A	T	35.8/5.1
L1302	6200010740	S.COI C2520C-R27G-A	T	34.0/14.3
L1303	6200010740	S.COI C2520C-R27G-A	T	34.4/21.8
L1304	6200010740	S.COI C2520C-R27G-A	T	6.0/12.9
L1305	6200002041	S.COI NLV25T-101J	T	2.3/13.6
L1306	6200010780	S.COI C2520C-1R0G-A	T	8.0/28.7
R1001	7030003460	S.RES ERJ3GEYJ 152 V (1.5K)	B	35.6/122.7
R1011	7030009961	S.RES ERA3YED 221V (220)	B	20.6/133.6
R1302	7030003310	S.RES ERJ3GEYJ 820 V (82)	T	107.6/21.9
R1303	7030003440	S.RES ERJ3GEYJ 102 V (1K)	T	145.6/38.4
R1304	7030003510	S.RES ERJ3GEYJ 392 V (3.9K)	T	12.3/83.5
R1305	7030003460	S.RES ERJ3GEYJ 152 V (1.5K)	T	124.9/146.3
R1306	7030003320	S.RES ERJ3GEYJ 101 V (100)	T	91.7/130.4
R1307	7030003320	S.RES ERJ3GEYJ 101 V (100)	B	153.1/43.2
R1308	7030003240	S.RES ERJ3GEYJ 220 V (22)	T	9.3/24.6
C1001	4030017810	S.CER C1608 CH 1H 102J-T	T	2.2/28.2
C1301	4030011340	S.CER C1608 CH 1H 471J-T	T	40.4/7.0
C1302	4550003250	S.TAN TEESVA 1V 474M8R	T	39.6/3.9
C1303	4030007010	S.CER C1608 CH 1H 100D-T	T	31.3/14.4
C1304	4030011340	S.CER C1608 CH 1H 471J-T	T	2.3/10.6
C1305	4030011340	S.CER C1608 CH 1H 471J-T	T	2.3/9.3
C1306	4030009530	S.CER C1608 CH 1H 030B-T	T	7.7/9.9
C1307	4030009530	S.CER C1608 CH 1H 030B-T	T	2.3/8.0
C1308	4030009510	S.CER C1608 CH 1H 010B-T	T	8.9/13.0
C1309	4550007860	S.TAN TMCMB1C336MTR	B	8.4/19.9
C1310	4030017810	S.CER C1608 CH 1H 102J-T	T	8.0/21.6
C1311	4030011600	S.CER C1608 JB 1E 104K-T	T	8.0/22.9
C1312	4030017810	S.CER C1608 CH 1H 102J-T	T	9.3/25.9
C1313	4030017810	S.CER C1608 CH 1H 102J-T	T	8.0/32.7
C1314	4030017490	S.CER C1608 JB 1A 105K-T	B	8.6/14.0
J1302	6910003841	CON IMSA-9230B-1-05Z003-PT1		
J1304	6910003851	CON IMSA-9230B-1-06Z003-PT1		

[VCO-B UNIT]

REF NO.	PARTS NO.	DESCRIPTION	M.	H/V LOCATION
Q1201	1560000491	S.FET 2SK508-T2B-A K52	T	5.3/9.8
Q1202	1530003550	S.TRA 2SC5193-T1	T	8.0/18.4
Q1203	1530002060	S.TRA 2SC4081 T106 R	B	6.7/15.8
D1201	1720000261	S.VAR 1SV214(TPH2F)	T	32.8/9.2
D1202	1720000261	S.VAR 1SV214(TPH2F)	T	32.8/15.9
D1203	1720000261	S.VAR 1SV214(TPH2F)	T	31.1/9.2
D1204	1720000261	S.VAR 1SV214(TPH2F)	T	31.1/15.9
D1205	1720000261	S.VAR 1SV214(TPH2F)	T	29.3/9.2
D1206	1720000261	S.VAR 1SV214(TPH2F)	T	29.3/15.9
D1207	1750000581	S.DIO 1SV307(TPH3F)	T	2.5/25.0
D1208	1750000581	S.DIO 1SV307(TPH3F)	T	1.5/27.4
L1201	6200010740	S.COI C2520C-R27G-A	T	36.0/6.7
L1202	6200010870	S.COI C2520C-R33G-A (0.33U)	T	34.0/12.5
L1204	6200010740	S.COI C2520C-R27G-A	T	6.0/13.1
L1205	6200002041	S.COI NLV25T-101J	T	2.3/13.6
L1206	6200010780	S.COI C2520C-1R0G-A	T	8.0/28.7
R1202	7030003380	S.RES ERJ3GEYJ 331 V (330)	T	5.2/15.3
R1203	7030003440	S.RES ERJ3GEYJ 102 V (1K)	B	5.8/13.6
R1204	7030003510	S.RES ERJ3GEYJ 392 V (3.9K)	T	8.0/16.5
R1205	7030003460	S.RES ERJ3GEYJ 152 V (1.5K)	T	8.0/15.3
R1206	7030003320	S.RES ERJ3GEYJ 101 V (100)	T	8.0/20.3
R1207	7030003320	S.RES ERJ3GEYJ 101 V (100)	T	7.3/25.0
R1208	7030003240	S.RES ERJ3GEYJ 220 V (22)	T	9.3/24.5
C1201	4030011340	S.CER C1608 CH 1H 471J-T	T	37.6/10.1
C1204	4030011340	S.CER C1608 CH 1H 471J-T	T	2.3/10.6
C1205	4030011340	S.CER C1608 CH 1H 471J-T	T	3.0/8.6
C1206	4030009350	S.CER C1608 CH 1H 3R5B-T	T	7.7/9.9
C1207	4030009910	S.CER C1608 CH 1H 040B-T	T	4.3/7.1
C1208	4030009510	S.CER C1608 CH 1H 010B-T	T	8.9/13.1
C1209	4550007860	S.TAN TMCMB1C336MTR	B	8.6/19.5
C1210	4030017810	S.CER C1608 CH 1H 102J-T	T	8.0/21.6
C1211	4030011600	S.CER C1608 JB 1E 104K-T	T	8.0/22.9
C1212	4030017810	S.CER C1608 CH 1H 102J-T	T	9.3/25.9
C1213	4030017810	S.CER C1608 CH 1H 102J-T	T	8.0/31.7
C1214	4030017490	S.CER C1608 JB 1A 105K-T	B	8.6/13.8
J1202	6910003831	CON IMSA-9230B-1-04Z003-PT1		
J1204	6910003841	CON IMSA-9230B-1-05Z003-PT1		

M.=Mounted side (T: Mounted on the Top side, B: Mounted on the Bottom side)
S.=Surface mount

[VCO-C UNIT]

REF NO.	PARTS NO.	DESCRIPTION	M.	H/V LOCATION
Q1101	1560000491	S.FET 2SK508-T2B-A K52	T	5.3/9.8
Q1102	1530003550	S.TRA 2SC5193-T1	T	8.0/18.4
Q1103	1530002060	S.TRA 2SC4081 T106 R	B	6.3/16.2
D1101	1720000801	S.VAR 1SV290(TPH3F)	T	33.2/9.6
D1102	1720000801	S.VAR 1SV290(TPH3F)	T	33.0/15.5
D1103	1720000801	S.VAR 1SV290(TPH3F)	T	32.0/9.6
D1104	1720000801	S.VAR 1SV290(TPH3F)	T	31.8/15.5
D1105	1720000801	S.VAR 1SV290(TPH3F)	T	30.8/9.6
D1106	1720000801	S.VAR 1SV290(TPH3F)	T	30.6/15.5
L1101	6200010960	S.COI C2520C-R47G-A (0.47U)	T	36.0/6.7
L1102	6200010960	S.COI C2520C-R47G-A (0.47U)	T	34.0/12.5
L1104	6200010740	S.COI C2520C-R27G-A	T	6.0/13.1
L1105	6200002041	S.COI NLV25T-101J	T	2.3/13.6
L1106	6200010780	S.COI C2520C-1R0G-A	T	8.0/28.7
R1102	7030003380	S.RES ERJ3GEYJ 331 V (330)	T	16.1/30.5
R1103	7030003440	S.RES ERJ3GEYJ 102 V (1K)	T	18.9/31.2
R1104	7030003510	S.RES ERJ3GEYJ 392 V (3.9K)	T	16.1/31.9
R1105	7030003460	S.RES ERJ3GEYJ 152 V (1.5K)	T	18.9/32.6
R1106	7030003320	S.RES ERJ3GEYJ 101 V (100)	T	16.1/33.3
R1107	7030003320	S.RES ERJ3GEYJ 101 V (100)	T	18.9/34.0
R1108	7030003240	S.RES ERJ3GEYJ 220 V (22)	T	16.1/34.7
C1101	4030011340	S.CER C1608 CH 1H 471J-T	T	36.1/10.1
C1104	4030011340	S.CER C1608 CH 1H 471J-T	T	2.3/10.6
C1105	4030011340	S.CER C1608 CH 1H 471J-T	T	3.0/8.6
C1106	4030007010	S.CER C1608 CH 1H 100D-T	T	7.7/9.9
C1107	4030011770	S.CER C1608 CH 1H 060B-T	T	4.3/7.1
C1108	4030009510	S.CER C1608 CH 1H 010B-T	T	8.9/13.0
C1109	4550007860	S.TAN TMCMB1C336MTR	B	8.4/19.5
C1110	4030017810	S.CER C1608 CH 1H 102J-T	T	8.0/21.6
C1111	4030011600	S.CER C1608 JB 1E 104K-T	T	8.0/22.9
C1112	4030017810	S.CER C1608 CH 1H 102J-T	T	9.3/25.7
C1113	4030017810	S.CER C1608 CH 1H 102J-T	T	8.0/31.7
C1114	4030017490	S.CER C1608 JB 1A 105K-T	B	8.9/13.7
C1115	4030007010	S.CER C1608 CH 1H 100D-T	T	29.6/9.6
C1116	4030007010	S.CER C1608 CH 1H 100D-T	T	29.4/15.6
J1102	6910003821	CON IMSA-9230B-1-03Z003-PT1		
J1104	6910003831	CON IMSA-9230B-1-04Z003-PT1		

[LOGIC-A UNIT] (For only [USA])

REF NO.	PARTS NO.	DESCRIPTION	M.	H/V LOCATION
IC1	1130014630	S.IC MT48LC16M16A2P-75 IT:D	T	39.8/26.3
IC2	1130014630	S.IC MT48LC16M16A2P-75 IT:D	T	24.0/26.3
IC51	1130011591	S.IC IDT70V24L15PFG	B	110.2/71.0
IC52	1140009781	S.IC XC9572XL-10TQG100C	B	131.2/71.0
IC53	1110005821	S.IC R3112N281A-TR-F	T	160.2/52.1
IC54	1130007431	S.IC TC7S14FU(TE85RF)	T	164.5/51.8
IC55	1130008041	S.IC TC7SH04FU(TE85LJF)	T	112.7/49.5
IC101	1130011010	S.IC SN74CBTLV3257PWR <ACE>	T	39.9/90.4
IC102	1130006441	S.IC TC7S08F(TE85RF)	T	76.7/54.1
IC103	1140011561	S.IC HD6417751RBP200V	T	68.2/79.9
IC104	1130008361	S.IC TC7SHU04FU(TE85LJF)	T	24.1/75.9
IC105	1130013700	S.IC CY2292FXC (RX-2844H)	T	27.3/84.0
IC106	1130011110	S.IC TC74VCX04FT(EL)	T	24.7/93.6
IC201	1130014630	S.IC MT48LC16M16A2P-75 IT:D	B	142.8/92.4
IC202	1130014630	S.IC MT48LC16M16A2P-75 IT:D	B	142.8/110.5
IC203	1140011571	S.IC HD64404BDTV	T	112.1/93.4
IC204	1140011581	S.IC ADV7123KSTZ50 <FE>	B	116.7/134.5
IC205	1130011941	S.IC TC7S204F(TE85LF)	T	111.2/139.8
IC206	1130012150	S.IC SN74ACT04PWR	B	165.5/94.5
IC207	1130005721	S.IC TC7W04F(TE12LF)	B	15.0/67.0
IC208	1130011951	S.IC UPD16875G-E1-A	B	8.2/67.0
IC209	1190001920	S.IC AK5355-VT-E2	B	86.7/126.3
IC211	1190001910	S.IC AK4384-VT-E2	B	86.7/133.3
IC212	1130013830	S.IC TC7SA34FU(TE85LF)	B	106.9/122.2
IC401	1130010970	S.IC PCI1410APGE	B	38.2/63.6
IC402	1130011960	S.IC TPS2211AIDBR	B	36.5/46.2
IC403	1130009570	S.IC BR93LC46F-WE2	T	39.0/81.9
IC404	1130010990	S.IC RTL8139C+ <GMI>	T	37.7/91.5
IC405	1130013830	S.IC TC7SA34FU(TE85LF)	T	39.2/56.7
IC601	1130012781	S.IC SN74AHC2G04HDC3T	B	53.7/36.7
IC604	1140011590	S.IC HD64F2377VFQ33V (EMPTY)	B	101.7/45.5
IC605	1140009781	S.IC XC9572XL-10TQG100C	B	155.7/72.0
IC607	1130006441	S.IC TC7S08F(TE85RF)	B	74.4/37.7
IC608	1130006441	S.IC TC7S08F(TE85RF)	B	78.1/37.7
IC609	1130005252	S.IC TC74HC08AF(ELF)	B	74.7/44.9
IC610	1130015080	S.IC R1EX24512ASASOA	B	64.8/50.1
IC801	1180001252	S.IC TA7808F(TE16L1NQ)	B	176.5/150.4
IC802	1180001072	S.IC TA7805F(TE16L1NQ)	B	190.5/138.0
IC803	1180001072	S.IC TA7805F(TE16L1NQ)	B	23.9/5.2
IC804	1180002020	S.REG BA033FP-E2	B	182.1/38.2
IC805	1180002601	S.REG TA48015F (TE16LINQ)	B	15.8/15.0
IC806	1180001072	S.IC TA7805F(TE16L1NQ)	B	50.9/147.4
IC855	1190002140	S.IC SAA7115HLV1	T	136.3/136.1
IC856	1190002150	S.IC SAA7105HV1	B	140.5/35.3
IC923	1130012000	S.IC M62352AGP C60Q	T	17.0/132.9
IC1001	1110003870	S.IC NJM2058M-TE1-#ZZZB	B	29.3/127.5
IC1031	1110005080	S.IC NJM2246M-TE1-#ZZZB	T	164.3/131.3
Q601	1530002060	S.TRA 2SC4081 T106 R	B	48.2/37.9
Q602	1510000510	S.TRA 2SA1576A T106R	T	48.2/33.8
Q1031	1530002060	S.TRA 2SC4081 T106 R	T	171.5/137.1
Q1032	1590003930	S.TRA UMD22N TR	T	37.4/24.5
D201	1790000981	S.DIO MA3J7420GL	B	116.7/144.5
D202	1790000981	S.DIO MA3J7420GL	B	116.7/147.7
D203	1790000981	S.DIO MA3J7420GL	B	116.6/150.6
D204	1790000981	S.DIO MA3J7420GL	B	174.6/102.5
D205	1790000981	S.DIO MA3J7420GL	B	174.6/99.7
D206	1790000981	S.DIO MA3J7420GL	B	27.4/36.4
D207	1790000981	S.DIO MA3J7420GL	B	27.4/33.9
D601	1750000550	S.DIO 1SS355 TE-17	B	45.8/37.0
D653	1750000550	S.DIO 1SS355 TE-17	T	159.9/82.2
D657	1750000550	S.DIO 1SS355 TE-17	T	150.9/82.2
X101	6050011610	S.XTA CR-751 SMD-49 25.000 MHz <KDS>	T	17.6/78.1
X201	6050010680	S.XTA CR-628 SMD-49 24.576 MHz <KDS>	T	119.6/109.6
X202	6050011910	S.XTA CR-780 DSX530G 48 MHz<KDS>	T	115.2/76.7
X601	6050011810	S.XTA CR-755 SMD-49 15.9744 MHz <KDS>	T	96.6/28.6
L101	6200004940	S.COI MLF1608D R27K-T	T	83.4/3.8
L102	6200004940	S.COI MLF1608D R27K-T	T	84.9/10.0
L103	6200004940	S.COI MLF1608D R27K-T	T	43.6/7.6
L203	6200002631	S.COI NLV25T-R10J	B	120.2/145.8
L204	6200002631	S.COI NLV25T-R10J	B	120.2/152.2
L205	6200002631	S.COI NLV25T-R10J	B	113.0/150.0
L380	6200004961	S.COI NLV25T-R33J	T	109.5/120.9
L381	6200004961	S.COI NLV25T-R33J	T	106.7/123.0
L382	6200004961	S.COI NLV25T-R33J	B	103.9/118.4
L383	6200004961	S.COI NLV25T-R33J	B	100.5/118.4
L561	6200003091	S.COI NLV32T-2R7J	B	157.6/34.0
L562	6200003091	S.COI NLV32T-2R7J	B	157.7/39.8
L826	6180003321	S.COI SLF6028T-150M1R0-PF	T	178.8/77.5
L901	6200003241	S.COI NLV32T-221J	B	5.0/104.7
L962	6200002041	S.COI NLV25T-101J	T	29.2/11.4
R1	7030003520	S.RES ERJ3GEYJ 472 V (4.7K)	T	109.4/41.3
R2	7030003560	S.RES ERJ3GEYJ 103 V (10K)	B	3.6/28.5
R51	7030003520	S.RES ERJ3GEYJ 472 V (4.7K)	T	164.0/102.4
R52	7030003560	S.RES ERJ3GEYJ 103 V (10K)	T	156.6/51.8
R59	7030003260	S.RES ERJ3GEYJ 330 V (33)	T	136.2/73.4
R101	7030003680	S.RES ERJ3GEYJ 104 V (100K)	T	34.1/90.2
R102	7030003520	S.RES ERJ3GEYJ 472 V (4.7K)	T	45.8/88.8
R103	7030003520	S.RES ERJ3GEYJ 472 V (4.7K)	T	45.8/90.7
R104	7030003520	S.RES ERJ3GEYJ 472 V (4.7K)	T	34.5/88.3
R105	7030003520	S.RES ERJ3GEYJ 472 V (4.7K)	T	34.1/91.5
R106	7030003560	S.RES ERJ3GEYJ 103 V (10K)	B	69.4/75.1
R107	7030003560	S.RES ERJ3GEYJ 103 V (10K)	B	64.2/75.1

M.=Mounted side (T: Mounted on the Top side, B: Mounted on the Bottom side) S.=Surface mount

[LOGIC-A UNIT] (For only [USA])

REF NO.	PARTS NO.	DESCRIPTION	M.	H/V LOCATION
R910	7030003860	S.RES ERJ3GE JPW V	T	9.0/111.7
R911	7030003860	S.RES ERJ3GE JPW V	T	9.1/133.0
R912	7030003860	S.RES ERJ3GE JPW V	T	9.1/131.7
R913	7030003860	S.RES ERJ3GE JPW V	T	9.1/130.4
R914	7030003860	S.RES ERJ3GE JPW V	T	9.1/129.1
R915	7030003440	S.RES ERJ3GEYJ 102 V (1K)	B	10.3/129.9
R916	7030003440	S.RES ERJ3GEYJ 102 V (1K)	B	4.1/128.2
R917	7030003440	S.RES ERJ3GEYJ 102 V (1K)	B	7.6/132.1
R918	7030003440	S.RES ERJ3GEYJ 102 V (1K)	B	4.1/126.9
R919	7030003440	S.RES ERJ3GEYJ 102 V (1K)	B	9.3/125.6
R920	7030003440	S.RES ERJ3GEYJ 102 V (1K)	B	4.1/125.6
R921	7030003440	S.RES ERJ3GEYJ 102 V (1K)	B	9.0/129.9
R922	7030003440	S.RES ERJ3GEYJ 102 V (1K)	B	4.1/124.3
R923	7030003440	S.RES ERJ3GEYJ 102 V (1K)	T	8.6/125.0
R924	7030003440	S.RES ERJ3GEYJ 102 V (1K)	B	4.1/123.0
R925	7030003440	S.RES ERJ3GEYJ 102 V (1K)	T	8.7/122.3
R926	7030003440	S.RES ERJ3GEYJ 102 V (1K)	B	4.1/121.7
R927	7030003440	S.RES ERJ3GEYJ 102 V (1K)	B	4.1/129.5
R928	7030003860	S.RES ERJ3GE JPW V	T	9.0/110.4
R929	7030003860	S.RES ERJ3GE JPW V	T	9.0/109.1
R930	7030003360	S.RES ERJ3GEYJ 221 V (220)	T	8.7/106.6
R931	7030003860	S.RES ERJ3GE JPW V	T	62.6/140.9
R932	7030003860	S.RES ERJ3GE JPW V	T	64.6/140.9
R933	7030003360	S.RES ERJ3GEYJ 221 V (220)	T	8.7/104.0
R938	7030003520	S.RES ERJ3GEYJ 472 V (4.7K)	T	79.3/135.5
R939	7030003520	S.RES ERJ3GEYJ 472 V (4.7K)	T	79.4/136.9
R940	7030003560	S.RES ERJ3GEYJ 103 V (10K)	T	78.8/140.1
R941	7030003320	S.RES ERJ3GEYJ 101 V (100)	T	80.1/141.3
R942	7030003320	S.RES ERJ3GEYJ 101 V (100)	T	83.2/140.9
R943	7030003320	S.RES ERJ3GEYJ 101 V (100)	T	84.5/140.9
R944	7030003320	S.RES ERJ3GEYJ 101 V (100)	T	85.8/140.9
R945	7030003320	S.RES ERJ3GEYJ 101 V (100)	T	87.1/140.9
R946	7030003320	S.RES ERJ3GEYJ 101 V (100)	T	88.4/140.9
R947	7030003320	S.RES ERJ3GEYJ 101 V (100)	T	89.7/140.9
R948	7030003320	S.RES ERJ3GEYJ 101 V (100)	T	91.0/140.9
R949	7030003200	S.RES ERJ3GEYJ 100 V (10)	T	106.2/140.9
R950	7030003200	S.RES ERJ3GEYJ 100 V (10)	T	104.9/140.9
R951	7030003200	S.RES ERJ3GEYJ 100 V (10)	T	103.6/140.9
R952	7030003200	S.RES ERJ3GEYJ 100 V (10)	T	102.3/140.9
R953	7030003200	S.RES ERJ3GEYJ 100 V (10)	T	101.0/140.9
R960	7030003440	S.RES ERJ3GEYJ 102 V (1K)	T	27.9/18.7
R961	7030003440	S.RES ERJ3GEYJ 102 V (1K)	T	31.0/19.4
R962	7030003440	S.RES ERJ3GEYJ 102 V (1K)	T	33.6/19.4
R964	7030003200	S.RES ERJ3GEYJ 100 V (10)	T	177.4/16.2
R965	7030003200	S.RES ERJ3GEYJ 100 V (10)	T	177.4/17.6
R966	7030003360	S.RES ERJ3GEYJ 221 V (220)	T	180.0/21.2
R967	7030003360	S.RES ERJ3GEYJ 221 V (220)	T	177.3/21.9
R968	7030003360	S.RES ERJ3GEYJ 221 V (220)	T	180.0/22.6
R969	7030003200	S.RES ERJ3GEYJ 100 V (10)	T	180.0/19.8
R970	7030003440	S.RES ERJ3GEYJ 102 V (1K)	T	29.7/18.4
R971	7030003440	S.RES ERJ3GEYJ 102 V (1K)	T	32.3/19.4
R972	7030003440	S.RES ERJ3GEYJ 102 V (1K)	T	34.9/19.4
R974	7030003200	S.RES ERJ3GEYJ 100 V (10)	T	180.0/16.9
R975	7030003200	S.RES ERJ3GEYJ 100 V (10)	T	180.0/18.3
R976	7030003360	S.RES ERJ3GEYJ 221 V (220)	T	177.4/20.5
R977	7030003360	S.RES ERJ3GEYJ 221 V (220)	T	177.3/23.3
R978	7030003360	S.RES ERJ3GEYJ 221 V (220)	T	183.2/126.0
R979	7030003360	S.RES ERJ3GEYJ 221 V (220)	T	180.6/125.0
R980	7030003360	S.RES ERJ3GEYJ 221 V (220)	T	183.2/124.0
R981	7030003360	S.RES ERJ3GEYJ 221 V (220)	T	180.7/123.0
R982	7030007230	S.RES ERA3YED 102V (1K)	T	33.4/140.9
R983	7030003440	S.RES ERJ3GEYJ 102 V (1K)	T	29.0/140.9
R984	7030007230	S.RES ERA3YED 102V (1K)	T	27.7/140.9
R985	7030007230	S.RES ERA3YED 102V (1K)	T	26.4/140.9
R986	7030007230	S.RES ERA3YED 102V (1K)	T	25.1/140.9
R987	7030007230	S.RES ERA3YED 102V (1K)	T	23.8/140.9
R988	7030007230	S.RES ERA3YED 102V (1K)	T	22.5/140.9
R989	7030003360	S.RES ERJ3GEYJ 221 V (220)	T	30.0/8.4
R990	7030003360	S.RES ERJ3GEYJ 221 V (220)	T	31.3/8.4
R991	7030003360	S.RES ERJ3GEYJ 221 V (220)	T	32.6/8.4
R992	7030003360	S.RES ERJ3GEYJ 221 V (220)	T	33.9/8.4
R993	7030003360	S.RES ERJ3GEYJ 221 V (220)	T	35.2/8.4
R994	7030003360	S.RES ERJ3GEYJ 221 V (220)	T	36.5/8.4
R1001	7030003410	S.RES ERJ3GEYJ 561 V (560)	B	35.6/122.7
R1002	7030003540	S.RES ERJ3GEYJ 682 V (6.8K)	B	32.8/122.7
R1003	7030003520	S.RES ERJ3GEYJ 472 V (4.7K)	B	32.8/121.4
R1004	7030003520	S.RES ERJ3GEYJ 472 V (4.7K)	B	30.8/122.0
R1005	7030003520	S.RES ERJ3GEYJ 472 V (4.7K)	B	23.4/122.7
R1006	7030003550	S.RES ERJ3GEYJ 822 V (8.2K)	B	26.2/122.7
R1007	7030003520	S.RES ERJ3GEYJ 472 V (4.7K)	B	26.2/121.4
R1008	7030003520	S.RES ERJ3GEYJ 472 V (4.7K)	B	28.2/122.0
R1009	7030003320	S.RES ERJ3GEYJ 101 V (100)	B	35.9/125.6
R1010	7030003320	S.RES ERJ3GEYJ 101 V (100)	B	35.8/128.4
R1011	7030003560	S.RES ERJ3GEYJ 103 V (10K)	B	20.6/133.6
R1012	7030003460	S.RES ERJ3GEYJ 152 V (1.5K)	B	20.6/132.3
R1013	7030003500	S.RES ERJ3GEYJ 332 V (3.3K)	B	26.2/133.6
R1014	7030003480	S.RES ERJ3GEYJ 222 V (2.2K)	B	26.2/132.3
R1015	7030003470	S.RES ERJ3GEYJ 182 V (1.8K)	B	23.3/130.3
R1016	7030003380	S.RES ERJ3GEYJ 331 V (330)	B	23.4/133.6
R1017	7030003560	S.RES ERJ3GEYJ 103 V (10K)	B	35.8/133.6
R1018	7030003460	S.RES ERJ3GEYJ 152 V (1.5K)	B	35.8/132.3
R1020	7030003540	S.RES ERJ3GEYJ 682 V (6.8K)	B	35.8/131.0
R1021	7030003460	S.RES ERJ3GEYJ 152 V (1.5K)	B	35.8/129.7
R1022	7030003380	S.RES ERJ3GEYJ 331 V (330)	B	32.1/133.6
R1023	7030003540	S.RES ERJ3GEYJ 682 V (6.8K)	B	23.4/121.4
R1031	7030010900	S.RES ERJ3GEYJ 750 V (75)	T	167.2/120.8
R1032	7030003440	S.RES ERJ3GEYJ 102 V (1K)	T	153.7/140.0
R1033	7030003320	S.RES ERJ3GEYJ 101 V (100)	T	170.9/131.9
R1034	7030003590	S.RES ERJ3GEYJ 183 V (18K)	T	171.5/135.2
R1036	7030003320	S.RES ERJ3GEYJ 101 V (100)	T	171.5/139.0
R1037	7030010900	S.RES ERJ3GEYJ 750 V (75)	T	171.5/140.3
R1038	7030003240	S.RES ERJ3GEYJ 220 V (22)	T	169.4/136.3
R1101	7030003280	S.RES ERJ3GEYJ 470 V (47)	T	18.9/29.8
R1102	7030003280	S.RES ERJ3GEYJ 470 V (47)	T	16.1/30.5
R1103	7030003280	S.RES ERJ3GEYJ 470 V (47)	T	18.9/31.2

[LOGIC-A UNIT] (For only [USA])

REF NO.	PARTS NO.	DESCRIPTION	M.	H/V LOCATION
R1104	7030003280	S.RES ERJ3GEYJ 470 V (47)	T	16.1/31.9
R1105	7030003280	S.RES ERJ3GEYJ 470 V (47)	T	18.9/32.6
R1106	7030003280	S.RES ERJ3GEYJ 470 V (47)	T	16.1/33.3
R1107	7030003280	S.RES ERJ3GEYJ 470 V (47)	T	18.9/34.0
R1108	7030003280	S.RES ERJ3GEYJ 470 V (47)	T	16.1/34.7
R1109	7030003280	S.RES ERJ3GEYJ 470 V (47)	T	18.9/35.4
R1110	7030003280	S.RES ERJ3GEYJ 470 V (47)	T	16.1/36.1
R1111	7030003280	S.RES ERJ3GEYJ 470 V (47)	T	18.9/36.8
R1112	7030003280	S.RES ERJ3GEYJ 470 V (47)	T	16.1/37.5
R1113	7030003280	S.RES ERJ3GEYJ 470 V (47)	T	18.9/38.2
R1114	7030003280	S.RES ERJ3GEYJ 470 V (47)	T	16.1/38.9
R1115	7030003280	S.RES ERJ3GEYJ 470 V (47)	T	18.9/39.6
R1116	7030003280	S.RES ERJ3GEYJ 470 V (47)	T	16.1/40.3
R1117	7030003280	S.RES ERJ3GEYJ 470 V (47)	T	18.9/41.0
R1118	7030003280	S.RES ERJ3GEYJ 470 V (47)	T	16.1/41.7
R1119	7030003280	S.RES ERJ3GEYJ 470 V (47)	T	18.9/42.4
R1120	7030003280	S.RES ERJ3GEYJ 470 V (47)	T	16.1/43.1
R1121	7030003280	S.RES ERJ3GEYJ 470 V (47)	T	18.9/43.8
R1122	7030003280	S.RES ERJ3GEYJ 470 V (47)	T	16.1/44.5
R1123	7030003280	S.RES ERJ3GEYJ 470 V (47)	T	18.9/45.2
R1124	7030003280	S.RES ERJ3GEYJ 470 V (47)	T	16.1/47.2
R1125	7030003280	S.RES ERJ3GEYJ 470 V (47)	T	18.9/47.9
R1126	7030003280	S.RES ERJ3GEYJ 470 V (47)	T	16.1/48.6
R1127	7030003280	S.RES ERJ3GEYJ 470 V (47)	T	18.9/49.3
R1128	7030003280	S.RES ERJ3GEYJ 470 V (47)	T	16.1/50.0
R1129	7030003280	S.RES ERJ3GEYJ 470 V (47)	T	18.9/50.7
R1130	7030003280	S.RES ERJ3GEYJ 470 V (47)	T	16.1/51.4
R1131	7030003280	S.RES ERJ3GEYJ 470 V (47)	T	18.9/52.1
R1132	7030003280	S.RES ERJ3GEYJ 470 V (47)	T	16.1/52.8
R1133	7030003280	S.RES ERJ3GEYJ 470 V (47)	T	18.9/53.5
R1134	7030003280	S.RES ERJ3GEYJ 470 V (47)	T	16.1/54.2
R1135	7030003280	S.RES ERJ3GEYJ 470 V (47)	T	18.9/54.9
R1136	7030003280	S.RES ERJ3GEYJ 470 V (47)	T	16.1/55.6
R1137	7030003280	S.RES ERJ3GEYJ 470 V (47)	T	18.9/56.3
R1138	7030003280	S.RES ERJ3GEYJ 470 V (47)	T	16.1/57.0
R1139	7030003280	S.RES ERJ3GEYJ 470 V (47)	T	18.9/57.7
R1140	7030003280	S.RES ERJ3GEYJ 470 V (47)	T	16.1/58.4
R1141	7030003280	S.RES ERJ3GEYJ 470 V (47)	T	18.9/59.1
R1142	7030003280	S.RES ERJ3GEYJ 470 V (47)	T	16.1/59.8
R1143	7030003280	S.RES ERJ3GEYJ 470 V (47)	T	18.9/60.5
R1144	7030003280	S.RES ERJ3GEYJ 470 V (47)	T	16.1/61.2
R1145	7030003280	S.RES ERJ3GEYJ 470 V (47)	T	18.9/61.9
R1146	7030003280	S.RES ERJ3GEYJ 470 V (47)	T	16.1/62.6
R1151	7030003290	S.RES ERJ3GEYJ 560 V (56)	T	175.5/96.6
R1152	7030003320	S.RES ERJ3GEYJ 101 V (100)	T	172.2/95.9
R1153	7030003320	S.RES ERJ3GEYJ 101 V (100)	T	175.5/95.2
R1154	7030003320	S.RES ERJ3GEYJ 101 V (100)	T	172.2/94.5
R1155	7030003320	S.RES ERJ3GEYJ 101 V (100)	T	175.5/93.8
R1156	7030003320	S.RES ERJ3GEYJ 101 V (100)	T	172.2/93.1
R1157	7030003320	S.RES ERJ3GEYJ 101 V (100)	T	175.5/92.4
R1158	7030003320	S.RES ERJ3GEYJ 101 V (100)	T	172.2/91.7
R1159	7030003320	S.RES ERJ3GEYJ 101 V (100)	T	175.5/91.0
R1160	7030003320	S.RES ERJ3GEYJ 101 V (100)	T	172.2/90.3
R1161	7030003320	S.RES ERJ3GEYJ 101 V (100)	T	175.5/89.6
R1162	7030003320	S.RES ERJ3GEYJ 101 V (100)	T	172.2/88.9
R1163	7030003320	S.RES ERJ3GEYJ 101 V (100)	T	175.5/88.2
R1164	7030003320	S.RES ERJ3GEYJ 101 V (100)	T	172.2/87.5
R1165	7030003320	S.RES ERJ3GEYJ 101 V (100)	T	175.5/86.8
R1166	7030003320	S.RES ERJ3GEYJ 101 V (100)	T	172.2/86.1
R1167	7030003320	S.RES ERJ3GEYJ 101 V (100)	T	175.5/85.4
R1168	7030003320	S.RES ERJ3GEYJ 101 V (100)	T	172.2/84.7
R1169	7030003320	S.RES ERJ3GEYJ 101 V (100)	T	175.5/84.0
R1170	7030003320	S.RES ERJ3GEYJ 101 V (100)	T	178.0/82.0
R1301	7030003860	S.RES ERJ3GE JPW V	T	6.5/10.0
R1302	7030003860	S.RES ERJ3GE JPW V	T	107.6/21.9
R1303	7030003860	S.RES ERJ3GE JPW V	T	145.6/38.4
R1304	7030003860	S.RES ERJ3GE JPW V	T	12.3/83.5
R1305	7030003860	S.RES ERJ3GE JPW V	T	124.9/146.3
R1306	7030003860	S.RES ERJ3GE JPW V	T	91.7/130.4
R1307	7030003860	S.RES ERJ3GE JPW V	B	153.1/43.2
R1401	7030003360	S.RES ERJ3GEYJ 221 V (220)	T	121.2/27.3
R1402	7030003360	S.RES ERJ3GEYJ 221 V (220)	T	122.6/27.3
R1403	70300033			

[LOGIC-A UNIT] (For only [USA])

REF NO.	PARTS NO.	DESCRIPTION	M.	H/V LOCATION
C59	4030011600	S.CER C1608 JB 1E 104K-T	B	132.3/60.8
C60	4030011600	S.CER C1608 JB 1E 104K-T	B	126.3/61.1
C61	4030009990	S.CER C1608 CH 1H 200J-T	T	164.0/101.1
C62	4030011600	S.CER C1608 JB 1E 104K-T	T	157.9/51.8
C63	4030008890	S.CER C1608 JB 1H 273K-T	T	162.5/51.8
C64	4030011600	S.CER C1608 JB 1E 104K-T	T	164.7/53.7
C65	4030011600	S.CER C1608 JB 1E 104K-T	T	115.1/52.0
C101	4030011600	S.CER C1608 JB 1E 104K-T	T	39.1/86.9
C102	4030011600	S.CER C1608 JB 1E 104K-T	B	58.0/63.2
C103	4030011600	S.CER C1608 JB 1E 104K-T	B	61.9/93.1
C104	4030011600	S.CER C1608 JB 1E 104K-T	B	61.6/73.8
C105	4030011600	S.CER C1608 JB 1E 104K-T	B	64.2/86.0
C106	4030011600	S.CER C1608 JB 1E 104K-T	B	61.6/72.5
C107	4030011600	S.CER C1608 JB 1E 104K-T	B	66.8/72.5
C108	4030011600	S.CER C1608 JB 1E 104K-T	B	72.5/72.5
C109	4030011600	S.CER C1608 JB 1E 104K-T	B	74.3/75.9
C110	4030011600	S.CER C1608 JB 1E 104K-T	B	61.6/83.0
C111	4550007520	S.TAN F931A106MAABMA	B	72.5/63.8
C112	4030011600	S.CER C1608 JB 1E 104K-T	B	73.7/65.5
C113	4550007520	S.TAN F931A106MAABMA	B	78.3/63.8
C114	4030011600	S.CER C1608 JB 1E 104K-T	B	76.8/65.5
C115	4550007520	S.TAN F931A106MAABMA	B	83.6/63.8
C116	4030011600	S.CER C1608 JB 1E 104K-T	B	79.7/65.5
C117	4030011600	S.CER C1608 JB 1E 104K-T	B	61.6/86.0
C118	4030011600	S.CER C1608 JB 1E 104K-T	B	61.6/76.4
C119	4030011600	S.CER C1608 JB 1E 104K-T	B	61.6/84.4
C120	4030011600	S.CER C1608 JB 1E 104K-T	B	74.3/84.4
C121	4030011600	S.CER C1608 JB 1E 104K-T	B	72.6/85.3
C122	4030011600	S.CER C1608 JB 1E 104K-T	B	71.3/85.3
C123	4030006860	S.CER C1608 JB 1H 102K-T	B	72.0/93.1
C124	4030011600	S.CER C1608 JB 1E 104K-T	B	66.8/86.0
C125	4030011600	S.CER C1608 JB 1E 104K-T	B	69.4/86.0
C126	4030011600	S.CER C1608 JB 1E 104K-T	B	61.6/81.7
C127	4030011600	S.CER C1608 JB 1E 104K-T	B	58.0/65.8
C128	4030011600	S.CER C1608 JB 1E 104K-T	B	67.0/65.8
C129	4030011600	S.CER C1608 JB 1E 104K-T	B	60.8/79.9
C130	4030011600	S.CER C1608 JB 1E 104K-T	B	74.3/81.8
C131	4030011600	S.CER C1608 JB 1E 104K-T	B	81.2/83.7
C132	4030011600	S.CER C1608 JB 1E 104K-T	B	74.3/78.7
C133	4030011600	S.CER C1608 JB 1E 104K-T	B	61.9/66.0
C134	4030011600	S.CER C1608 JB 1E 104K-T	B	54.0/73.7
C135	4030011600	S.CER C1608 JB 1E 104K-T	B	61.6/75.1
C136	4030011600	S.CER C1608 JB 1E 104K-T	B	69.4/72.5
C137	4030011600	S.CER C1608 JB 1E 104K-T	B	64.2/72.5
C138	4030011600	S.CER C1608 JB 1E 104K-T	B	69.4/84.4
C139	4030011600	S.CER C1608 JB 1E 104K-T	B	74.3/73.3
C140	4030006900	S.CER C1608 JB 1H 103K-T	B	81.2/73.6
C141	4030011600	S.CER C1608 JB 1E 104K-T	T	79.1/53.7
C142	4030011600	S.CER C1608 JB 1E 104K-T	T	91.4/47.0
C143	4050000290	S.FEE CNF10R102S-TM	T	19.4/89.2
C144	4030011600	S.CER C1608 JB 1E 104K-T	T	27.3/75.7
C145	4030007100	S.CER C1608 CH 1H 560J-T	T	24.2/73.5
C146	4030008560	S.CER C1608 CH 1H 300J-T	T	22.2/77.1
C147	4030007060	S.CER C1608 CH 1H 270J-T	T	21.7/74.9
C148	4030011600	S.CER C1608 JB 1E 104K-T	T	21.4/85.6
C149	4030011600	S.CER C1608 JB 1E 104K-T	T	23.3/90.2
C150	4030007130	S.CER C1608 CH 1H 101J-T	T	26.0/75.7
C151	4030007130	S.CER C1608 CH 1H 101J-T	T	20.1/85.6
C152	4030007130	S.CER C1608 CH 1H 101J-T	T	52.4/100.4
C153	4030007130	S.CER C1608 CH 1H 101J-T	T	41.7/86.9
C154	4030007130	S.CER C1608 CH 1H 101J-T	T	24.8/88.9
C155	4030007130	S.CER C1608 CH 1H 101J-T	T	93.7/56.3
C156	4030007130	S.CER C1608 CH 1H 101J-T	T	77.0/51.7
C157	4030007130	S.CER C1608 CH 1H 101J-T	T	62.3/123.8
C158	4030007130	S.CER C1608 CH 1H 101J-T	B	74.5/114.8
C159	4030007130	S.CER C1608 CH 1H 101J-T	T	104.8/118.8
C160	4030007130	S.CER C1608 CH 1H 101J-T	T	58.1/119.3
C161	4030007130	S.CER C1608 CH 1H 101J-T	B	144.3/77.6
C162	4030007130	S.CER C1608 CH 1H 101J-T	B	102.4/79.7
C163	4030007130	S.CER C1608 CH 1H 101J-T	T	110.8/49.3
C164	4030007130	S.CER C1608 CH 1H 101J-T	T	166.7/53.0
C165	4030007130	S.CER C1608 CH 1H 101J-T	T	156.7/49.7
C166	4030007130	S.CER C1608 CH 1H 101J-T	T	89.4/97.1
C167	4030007170	S.CER C1608 CH 1H 221J-T	T	18.0/93.0
C168	4030007150	S.CER C1608 CH 1H 151J-T	T	18.0/91.5
C169	4030007170	S.CER C1608 CH 1H 221J-T	T	21.4/98.9
C170	4030007150	S.CER C1608 CH 1H 151J-T	T	22.9/98.9
C171	4030007170	S.CER C1608 CH 1H 221J-T	T	29.6/91.5
C172	4030007150	S.CER C1608 CH 1H 151J-T	T	29.6/96.7
C201	4030011600	S.CER C1608 JB 1E 104K-T	B	134.0/100.8
C202	4030011600	S.CER C1608 JB 1E 104K-T	B	132.5/100.8
C203	4030011600	S.CER C1608 JB 1E 104K-T	B	138.8/100.8
C204	4030011600	S.CER C1608 JB 1E 104K-T	B	142.8/100.8
C205	4030011600	S.CER C1608 JB 1E 104K-T	B	153.2/100.8
C206	4030011600	S.CER C1608 JB 1E 104K-T	B	135.5/85.0
C207	4030011600	S.CER C1608 JB 1E 104K-T	B	140.4/85.0
C208	4030011600	S.CER C1608 JB 1E 104K-T	B	132.9/118.3
C209	4030011600	S.CER C1608 JB 1E 104K-T	B	135.5/118.3
C210	4030011600	S.CER C1608 JB 1E 104K-T	B	139.0/118.3
C211	4030011600	S.CER C1608 JB 1E 104K-T	B	142.1/118.3
C212	4030011600	S.CER C1608 JB 1E 104K-T	B	152.1/118.3
C213	4030011600	S.CER C1608 JB 1E 104K-T	B	135.5/102.7
C214	4030011600	S.CER C1608 JB 1E 104K-T	B	140.3/102.7
C215	4030011600	S.CER C1608 JB 1E 104K-T	B	104.1/105.4
C216	4030011600	S.CER C1608 JB 1E 104K-T	B	100.3/86.6
C217	4030011600	S.CER C1608 JB 1E 104K-T	B	106.3/94.7
C218	4030011600	S.CER C1608 JB 1E 104K-T	B	106.8/87.6
C219	4030011600	S.CER C1608 JB 1E 104K-T	B	109.4/87.6
C220	4030011600	S.CER C1608 JB 1E 104K-T	B	105.5/87.6
C221	4030011600	S.CER C1608 JB 1E 104K-T	B	111.3/81.6
C222	4030011600	S.CER C1608 JB 1E 104K-T	B	109.1/104.4
C223	4030011600	S.CER C1608 JB 1E 104K-T	B	105.5/98.5
C224	4030011600	S.CER C1608 JB 1E 104K-T	B	100.3/98.8
C225	4030011600	S.CER C1608 JB 1E 104K-T	B	106.3/92.1
C226	4030011600	S.CER C1608 JB 1E 104K-T	B	106.3/90.8

[LOGIC-A UNIT] (For only [USA])

REF NO.	PARTS NO.	DESCRIPTION	M.	H/V LOCATION
C227	4030011600	S.CER C1608 JB 1E 104K-T	B	111.4/87.6
C228	4030011600	S.CER C1608 JB 1E 104K-T	B	106.3/89.5
C229	4030011600	S.CER C1608 JB 1E 104K-T	B	116.1/104.4
C230	4030011600	S.CER C1608 JB 1E 104K-T	B	112.0/98.3
C231	4030011600	S.CER C1608 JB 1E 104K-T	B	117.2/98.6
C232	4030011600	S.CER C1608 JB 1E 104K-T	B	106.3/96.0
C233	4030011600	S.CER C1608 JB 1E 104K-T	B	117.2/92.1
C234	4030011600	S.CER C1608 JB 1E 104K-T	B	114.0/87.6
C235	4030011600	S.CER C1608 JB 1E 104K-T	B	116.9/81.4
C236	4030011600	S.CER C1608 JB 1E 104K-T	B	117.2/97.3
C237	4030011600	S.CER C1608 JB 1E 104K-T	B	117.2/96.0
C238	4030011600	S.CER C1608 JB 1E 104K-T	B	117.2/94.7
C239	4030011600	S.CER C1608 JB 1E 104K-T	B	100.3/96.2
C240	4030011600	S.CER C1608 JB 1E 104K-T	B	117.2/90.8
C241	4030011600	S.CER C1608 JB 1E 104K-T	B	117.2/89.5
C242	4030011600	S.CER C1608 JB 1E 104K-T	B	117.9/87.6
C243	4030011600	S.CER C1608 JB 1E 104K-T	B	116.6/87.6
C244	4030011600	S.CER C1608 JB 1E 104K-T	B	106.3/93.4
C245	4030011600	S.CER C1608 JB 1E 104K-T	B	106.8/98.3
C246	4030011600	S.CER C1608 JB 1E 104K-T	B	117.2/93.4
C247	4030011600	S.CER C1608 JB 1E 104K-T	B	114.1/98.3
C248	4030011600	S.CER C1608 JB 1E 104K-T	B	115.3/87.6
C249	4030011600	S.CER C1608 JB 1E 104K-T	B	108.1/87.6
C250	4030007050	S.CER C1608 CH 1H 220J-T	T	117.8/106.3
C251	4030007050	S.CER C1608 CH 1H 220J-T	T	115.2/106.3
C252	4030006990	S.CER C1608 CH 1H 080D-T	T	114.8/79.8
C253	4030006990	S.CER C1608 CH 1H 080D-T	T	116.1/79.8
C254	4030006900	S.CER C1608 JB 1H 103K-T	T	98.5/100.4
C255	4510008520	S.ELE EEE1CA470SP	T	115.9/116.9
C256	4030006900	S.CER C1608 JB 1H 103K-T	T	97.6/82.8
C257	4510007130	S.ELE EEFCD OJ 470R	T	93.2/81.3
C258	4030011600	S.CER C1608 JB 1E 104K-T	T	99.0/75.1
C259	4030011600	S.CER C1608 JB 1E 104K-T	B	100.3/91.9
C260	4030011600	S.CER C1608 JB 1E 104K-T	B	122.9/139.7
C261	4030011600	S.CER C1608 JB 1E 104K-T	B	121.6/139.7
C262	4030011600	S.CER C1608 JB 1E 104K-T	B	114.4/141.0
C263	4030011600	S.CER C1608 JB 1E 104K-T	B	109.2/131.5
C264	4030011600	S.CER C1608 JB 1E 104K-T	B	114.4/142.3
C265	4510008540	S.ELE EEE1CA100SR	T	116.1/143.5
C266	4030011600	S.CER C1608 JB 1E 104K-T	T	111.3/143.6
C267	4030007100	S.CER C1608 CH 1H 560J-T	B	119.8/143.9
C268	4030007100	S.CER C1608 CH 1H 560J-T	B	119.8/150.3
C269	4030007100	S.CER C1608 CH 1H 560J-T	B	113.0/147.6
C270	4030007050	S.CER C1608 CH 1H 220J-T	B	121.8/143.2
C271	4030007050	S.CER C1608 CH 1H 220J-T	B	121.8/149.6
C272	4030007050	S.CER C1608 CH 1H 220J-T	B	113.4/152.3
C273	4030011600	S.CER C1608 JB 1E 104K-T	B	163.2/97.9
C274	4030007170	S.CER C1608 CH 1H 221J-T	B	172.4/102.5
C275	4030007170	S.CER C1608 CH 1H 221J-T	B	172.4/99.7
C276	4030007050	S.CER C1608 CH 1H 220J-T	T	2.3/65.0
C277	4030007050	S.CER C1608 CH 1H 220J-T	T	9.4/64.0
C278	4510008500	S.ELE EEE1CA101WP	T	14.3/67.5
C279	4030007050	S.CER C1608 CH 1H 220J-T	T	18.9/66.8
C280	4030007050	S.CER C1608 CH 1H 220J-T	T	18.9/69.5
C282	4030011600	S.CER C1608 JB 1E 104K-T	B	13.8/71.2
C283	4030017490	S.CER C1608 JB 1A 105K-T	B	2.4/67.0
C284	4030011600	S.CER C1608 JB 1E 104K-T	B	85.1/122.8
C285	4550007520	S.TAN F931A106MAABMA	B	85.5/121.0
C286	4550007520	S.TAN F931A106MAABMA	B	77.4/125.1
C287	4030011600	S.CER C1608 JB 1E 104K-T	B	81.9/126.1
C288	4550007520	S.TAN F931A106MAABMA	B	77.4/129.8
C289	4030011600	S.CER C1608 JB 1E 104K-T	B	81.9/128.7
C290	4510008540	S.ELE EEE1CA100SR	T	40.7/117.9
C296	4030011600	S.CER C1608 JB 1E 104K-T	B	85.9/138.1
C297	4550007520	S.TAN F931A106MAABMA	B	82.9/141.8
C298	4030011600	S.CER C1608 JB 1E 104K-T	B	81.9/134.1
C299	4550007520	S.TAN F931A106MAABMA	B	78.4/133.5
C300	4030007130	S.CER C1608 CH 1H 101J-T	B	154.9/97.2
C301	4030007130	S.CER C1608 CH 1H 101J-T	B	154.9/115.

[LOGIC-A UNIT] (For only [USA])

REF NO.	PARTS NO.	DESCRIPTION	M.	H/V LOCATION
C421	4550007520	S.TAN F931A106MAABMA	B	34.4/41.8
C422	4030011600	S.CER C1608 JB 1E 104K-T	T	37.0/77.4
C423	4030011600	S.CER C1608 JB 1E 104K-T	B	50.1/100.2
C424	4030011600	S.CER C1608 JB 1E 104K-T	B	53.3/96.4
C425	4030011600	S.CER C1608 JB 1E 104K-T	B	49.3/86.4
C426	4030011600	S.CER C1608 JB 1E 104K-T	B	49.5/82.7
C427	4030011600	S.CER C1608 JB 1E 104K-T	B	41.5/77.8
C428	4030011600	S.CER C1608 JB 1E 104K-T	B	35.5/77.8
C429	4030011600	S.CER C1608 JB 1E 104K-T	B	32.9/77.8
C430	4030011600	S.CER C1608 JB 1E 104K-T	B	23.6/99.5
C431	4030011600	S.CER C1608 JB 1E 104K-T	B	27.0/87.4
C432	4030011600	S.CER C1608 JB 1E 104K-T	B	27.0/94.0
C433	4030011600	S.CER C1608 JB 1E 104K-T	B	27.0/97.3
C434	4030011600	S.CER C1608 JB 1E 104K-T	B	31.9/105.2
C435	4030011600	S.CER C1608 JB 1E 104K-T	B	35.5/105.2
C436	4030011600	S.CER C1608 JB 1E 104K-T	B	40.5/105.2
C437	4030011600	S.CER C1608 JB 1E 104K-T	T	32.4/108.5
C438	4030011600	S.CER C1608 JB 1E 104K-T	T	22.4/105.7
C439	4030011600	S.CER C1608 JB 1E 104K-T	T	27.6/122.5
C440	4030019220	S.CER C4532X7R3D222KT	T	19.9/126.3
C441	4030007130	S.CER C1608 CH 1H 101J-T	T	46.1/104.6
C442	4030011600	S.CER C1608 JB 1E 104K-T	T	46.1/105.9
C443	4030011600	S.CER C1608 JB 1E 104K-T	B	41.9/47.3
C444	4030007130	S.CER C1608 CH 1H 101J-T	B	24.5/60.4
C445	4030007130	S.CER C1608 CH 1H 101J-T	B	29.9/44.3
C446	4030007130	S.CER C1608 CH 1H 101J-T	B	31.1/47.6
C447	4030007130	S.CER C1608 CH 1H 101J-T	T	37.0/76.1
C448	4030007130	S.CER C1608 CH 1H 101J-T	B	26.6/80.1
C449	4030007130	S.CER C1608 CH 1H 101J-T	T	33.7/108.5
C450	4030007130	S.CER C1608 CH 1H 101J-T	T	23.7/105.7
C451	4030007130	S.CER C1608 CH 1H 101J-T	T	26.2/122.5
C452	4030011340	S.CER C1608 CH 1H 471J-T	T	38.7/58.7
C453	4030011600	S.CER C1608 JB 1E 104K-T	T	38.7/60.0
C501	4510008540	S.ELE EEE1CA100SR	T	150.2/128.0
C502	4030011600	S.CER C1608 JB 1E 104K-T	T	146.3/129.3
C503	4030011600	S.CER C1608 JB 1E 104K-T	T	146.3/131.9
C504	4030011600	S.CER C1608 JB 1E 104K-T	T	146.3/143.1
C505	4030011600	S.CER C1608 JB 1E 104K-T	T	137.2/146.2
C506	4030011600	S.CER C1608 JB 1E 104K-T	T	132.7/146.2
C507	4030011600	S.CER C1608 JB 1E 104K-T	T	126.3/143.1
C508	4030011600	S.CER C1608 JB 1E 104K-T	T	126.3/137.7
C509	4030011600	S.CER C1608 JB 1E 104K-T	T	126.3/134.6
C510	4030011600	S.CER C1608 JB 1E 104K-T	T	126.3/129.0
C511	4030011600	S.CER C1608 JB 1E 104K-T	T	131.8/123.9
C512	4030011600	S.CER C1608 JB 1E 104K-T	T	141.0/123.9
C513	4510008540	S.ELE EEE1CA100SR	T	150.4/134.5
C514	4030011600	S.CER C1608 JB 1E 104K-T	T	146.3/134.7
C515	4030011600	S.CER C1608 JB 1E 104K-T	T	146.3/137.3
C516	4030011600	S.CER C1608 JB 1E 104K-T	T	146.9/140.3
C517	4030008920	S.CER C1608 JB 1H 473K-T	B	140.2/132.7
C518	4030008920	S.CER C1608 JB 1H 473K-T	B	140.2/134.0
C519	4030008920	S.CER C1608 JB 1H 473K-T	B	140.2/136.6
C520	4030008920	S.CER C1608 JB 1H 473K-T	B	140.2/137.9
C521	4030008920	S.CER C1608 JB 1H 473K-T	B	140.2/139.2
C522	4030008920	S.CER C1608 JB 1H 473K-T	B	149.0/139.5
C523	4030008920	S.CER C1608 JB 1H 473K-T	B	137.4/135.3
C524	4030008920	S.CER C1608 JB 1H 473K-T	B	137.4/140.5
C525	4030007130	S.CER C1608 CH 1H 101J-T	T	147.6/137.3
C526	4030007130	S.CER C1608 CH 1H 101J-T	T	132.7/147.5
C550	4030006880	S.CER C1608 JB 1H 472K-T	B	147.1/21.7
C551	4030011600	S.CER C1608 JB 1E 104K-T	B	126.7/33.3
C552	4030011600	S.CER C1608 JB 1E 104K-T	B	128.7/37.5
C553	4030011600	S.CER C1608 JB 1E 104K-T	B	141.2/47.9
C554	4030011600	S.CER C1608 JB 1E 104K-T	B	140.9/23.5
C555	4510008540	S.ELE EEE1CA100SR	T	139.6/33.6
C556	4030011600	S.CER C1608 JB 1E 104K-T	B	152.7/31.7
C557	4030011600	S.CER C1608 JB 1E 104K-T	B	151.4/31.7
C558	4030011600	S.CER C1608 JB 1E 104K-T	B	143.0/23.2
C559	4030011600	S.CER C1608 JB 1E 104K-T	B	144.3/23.2
C560	4510008540	S.ELE EEE1CA100SR	T	144.4/32.4
C561	4030010240	S.CER C1608 JB 1H 391K-T	B	158.3/29.6
C562	4030007140	S.CER C1608 CH 1H 121J-T	B	155.3/34.0
C563	4030010040	S.CER C1608 JB 1H 561K-T	B	157.7/36.8
C564	4030007130	S.CER C1608 CH 1H 101J-T	B	140.9/24.8
C565	4030007130	S.CER C1608 CH 1H 101J-T	B	154.0/31.7
C601	4030011600	S.CER C1608 JB 1E 104K-T	B	54.8/34.3
C602	4030007130	S.CER C1608 CH 1H 101J-T	B	54.8/33.0
C603	4030011600	S.CER C1608 JB 1E 104K-T	B	94.3/59.8
C604	4030011600	S.CER C1608 JB 1E 104K-T	B	115.1/51.8
C605	4030011600	S.CER C1608 JB 1E 104K-T	B	115.2/36.2
C606	4030011600	S.CER C1608 JB 1E 104K-T	B	99.1/32.6
C607	4030011600	S.CER C1608 JB 1E 104K-T	B	96.5/32.6
C608	4550007520	S.TAN F931A106MAABMA	T	91.1/34.1
C609	4550007520	S.TAN F931A106MAABMA	T	93.3/34.1
C610	4030006900	S.CER C1608 JB 1H 103K-T	B	87.6/37.8
C611	4030006900	S.CER C1608 JB 1H 103K-T	B	85.0/38.5
C612	4030007010	S.CER C1608 CH 1H 100D-T	T	95.7/31.9
C613	4030007010	S.CER C1608 CH 1H 100D-T	T	98.3/31.9
C614	4030011600	S.CER C1608 JB 1E 104K-T	B	101.0/29.3
C615	4030007130	S.CER C1608 CH 1H 101J-T	B	47.2/31.5
C616	4030011600	S.CER C1608 JB 1E 104K-T	B	47.2/30.2
C617	4030007130	S.CER C1608 CH 1H 101J-T	B	120.1/54.3
C618	4030007130	S.CER C1608 CH 1H 101J-T	B	88.9/37.8
C619	4030006880	S.CER C1608 JB 1H 472K-T	T	95.6/43.8
C620	4030006880	S.CER C1608 JB 1H 472K-T	T	95.6/41.2
C621	4030006880	S.CER C1608 JB 1H 472K-T	T	95.6/38.6
C622	4030006880	S.CER C1608 JB 1H 472K-T	T	95.6/36.0
C623	4030006880	S.CER C1608 JB 1H 472K-T	T	95.6/46.4
C624	4030006880	S.CER C1608 JB 1H 472K-T	B	88.0/40.4
C625	4030007130	S.CER C1608 CH 1H 101J-T	B	86.3/38.5
C626	4030011600	S.CER C1608 JB 1E 104K-T	B	75.1/35.3
C627	4030011600	S.CER C1608 JB 1E 104K-T	B	78.4/35.3
C628	4030011600	S.CER C1608 JB 1E 104K-T	B	81.3/44.2
C629	4030011600	S.CER C1608 JB 1E 104K-T	B	68.6/52.6
C630	4030011600	S.CER C1608 JB 1E 104K-T	B	165.6/66.7

[LOGIC-A UNIT] (For only [USA])

REF NO.	PARTS NO.	DESCRIPTION	M.	H/V LOCATION
C631	4030011600	S.CER C1608 JB 1E 104K-T	B	163.7/63.2
C632	4030011600	S.CER C1608 JB 1E 104K-T	B	148.1/79.9
C633	4030011600	S.CER C1608 JB 1E 104K-T	B	152.9/81.8
C634	4030011600	S.CER C1608 JB 1E 104K-T	B	167.4/72.0
C635	4030011600	S.CER C1608 JB 1E 104K-T	B	145.8/73.5
C636	4030011600	S.CER C1608 JB 1E 104K-T	B	145.8/67.1
C637	4510008540	S.ELE EEE1CA100SR	T	116.6/47.3
C638	4030011600	S.CER C1608 JB 1E 104K-T	T	21.2/132.4
C639	4030011600	S.CER C1608 JB 1E 104K-T	T	21.2/135.4
C640	4030007130	S.CER C1608 CH 1H 101J-T	B	73.3/34.6
C641	4030007130	S.CER C1608 CH 1H 101J-T	B	80.4/37.2
C642	4030007130	S.CER C1608 CH 1H 101J-T	B	80.0/44.2
C643	4030007130	S.CER C1608 CH 1H 101J-T	B	69.9/51.5
C644	4030007130	S.CER C1608 CH 1H 101J-T	B	145.8/69.9
C645	4030007130	S.CER C1608 CH 1H 101J-T	T	22.5/132.9
C801	4510008540	S.ELE EEE1CA100SR	T	183.0/147.2
C802	4030011600	S.CER C1608 JB 1E 104K-T	B	169.5/149.0
C803	4030011600	S.CER C1608 JB 1E 104K-T	B	169.5/151.9
C804	4510008540	S.ELE EEE1CA100SR	T	183.0/152.0
C805	4510008540	S.ELE EEE1CA100SR	T	191.5/142.4
C806	4030011600	S.CER C1608 JB 1E 104K-T	B	192.0/131.1
C807	4030011600	S.CER C1608 JB 1E 104K-T	B	189.1/131.1
C808	4510008540	S.ELE EEE1CA100SR	T	186.7/142.4
C809	4510008540	S.ELE EEE1CA100SR	T	22.8/8.4
C810	4030011600	S.CER C1608 JB 1E 104K-T	B	30.6/6.7
C811	4030011600	S.CER C1608 JB 1E 104K-T	B	30.6/3.8
C812	4510008540	S.ELE EEE1CA100SR	T	22.8/3.6
C813	4510008540	S.ELE EEE1CA100SR	T	181.3/38.6
C814	4030011600	S.CER C1608 JB 1E 104K-T	B	176.6/36.8
C815	4030011600	S.CER C1608 JB 1E 104K-T	B	176.7/39.7
C816	4510008520	S.ELE EEE1CA470SP	T	175.2/39.8
C817	4550007520	S.TAN F931A106MAABMA	B	9.8/18.1
C818	4030011600	S.CER C1608 JB 1E 104K-T	B	11.6/19.2
C819	4030011600	S.CER C1608 JB 1E 104K-T	B	17.2/20.5
C820	4550007210	S.TAN F930G476MBABMA	B	20.2/22.4
C823	4030006860	S.CER C1608 JB 1H 102K-T	B	182.3/51.5
C824	4030007130	S.CER C1608 CH 1H 101J-T	B	186.2/51.5
C825	4030006860	S.CER C1608 JB 1H 102K-T	B	182.4/55.3
C826	4030007130	S.CER C1608 CH 1H 101J-T	B	186.2/55.3
C827	4030018960	S.CER C3216 JB 1C 106MT-N	T	44.2/144.6
C828	4030011600	S.CER C1608 JB 1E 104K-T	B	44.2/145.9
C829	4030011600	S.CER C1608 JB 1E 104K-T	B	44.2/148.8
C830	4030018960	S.CER C3216 JB 1C 106MT-N	T	44.2/149.5
C847	4510008520	S.ELE EEE1CA470SP	T	187.1/71.0
C851	4030006860	S.CER C1608 JB 1H 102K-T	B	130.3/9.5
C852	4030006860	S.CER C1608 JB 1H 102K-T	B	137.8/9.5
C853	4030006860	S.CER C1608 JB 1H 102K-T	B	140.3/9.5
C854	4030006860	S.CER C1608 JB 1H 102K-T	B	142.8/9.5
C861	4030006860	S.CER C1608 JB 1H 102K-T	B	48.7/9.5
C862	4030006860	S.CER C1608 JB 1H 102K-T	B	51.2/9.5
C863	4030006860	S.CER C1608 JB 1H 102K-T	B	56.2/9.5
C864	4030006860	S.CER C1608 JB 1H 102K-T	B	58.7/9.5
C865	4030006860	S.CER C1608 JB 1H 102K-T	B	63.7/9.5
C866	4030006860	S.CER C1608 JB 1H 102K-T	B	68.7/9.5
C871	4030007050	S.CER C1608 CH 1H 220J-T	T	43.4/42.5
C872	4030007050	S.CER C1608 CH 1H 220J-T	T	43.5/28.7
C873	4030007050	S.CER C1608 CH 1H 220J-T	T	44.7/42.5
C874	4030006860	S.CER C1608 JB 1H 102K-T	T	44.8/28.7
C875	4030006860	S.CER C1608 JB 1H 102K-T	T	46.0/42.5
C876	4030006860	S.CER C1608 JB 1H 102K-T	T	47.4/28.7
C877	4030006860	S.CER C1608 JB 1H 102K-T	T	47.3/42.5
C878	4030006860	S.CER C1608 JB 1H 102K-T	T	48.7/28.7
C879	4030006860	S.CER C1608 JB 1H 102K-T	T	48.6/42.5
C880	4030007050	S.CER C1608 CH 1H 220J-T	T	50.0/28.7
C881	4030007050	S.CER C1608 CH 1H 220J-T	T	49.9/42.5
C882	4030007050	S.CER C1608 CH 1H 220J-T	T	51.3/28.7
C883	4030007050	S.CER C1608 CH 1H 220J-T	T	51.2/42.5
C884	4030007050	S.CER C1608 CH 1H 220J-T	T	52.6/28.7
C885	4030007050	S.CER C1608 CH 1H 220J-T	T	52.5/42.5
C886	4030007050	S.CER C1608 CH 1H 220J-T	T	5

[LOGIC-A UNIT] (For only [USA])

Table with columns: REF NO., PARTS NO., DESCRIPTION, M., H/V LOCATION. Lists various electronic components like S.CER capacitors and their specifications.

[LOGIC-A UNIT] (For only [USA])

Table with columns: REF NO., PARTS NO., DESCRIPTION, M., H/V LOCATION. Lists various electronic components like S.CON connectors, S.LED LEDs, S.SWI switches, S.TRA transistors, and S.BEA beamers.

M.=Mounted side (T: Mounted on the Top side, B: Mounted on the Bottom side) S.=Surface mount

[LOGIC-A UNIT] (For only [USA])

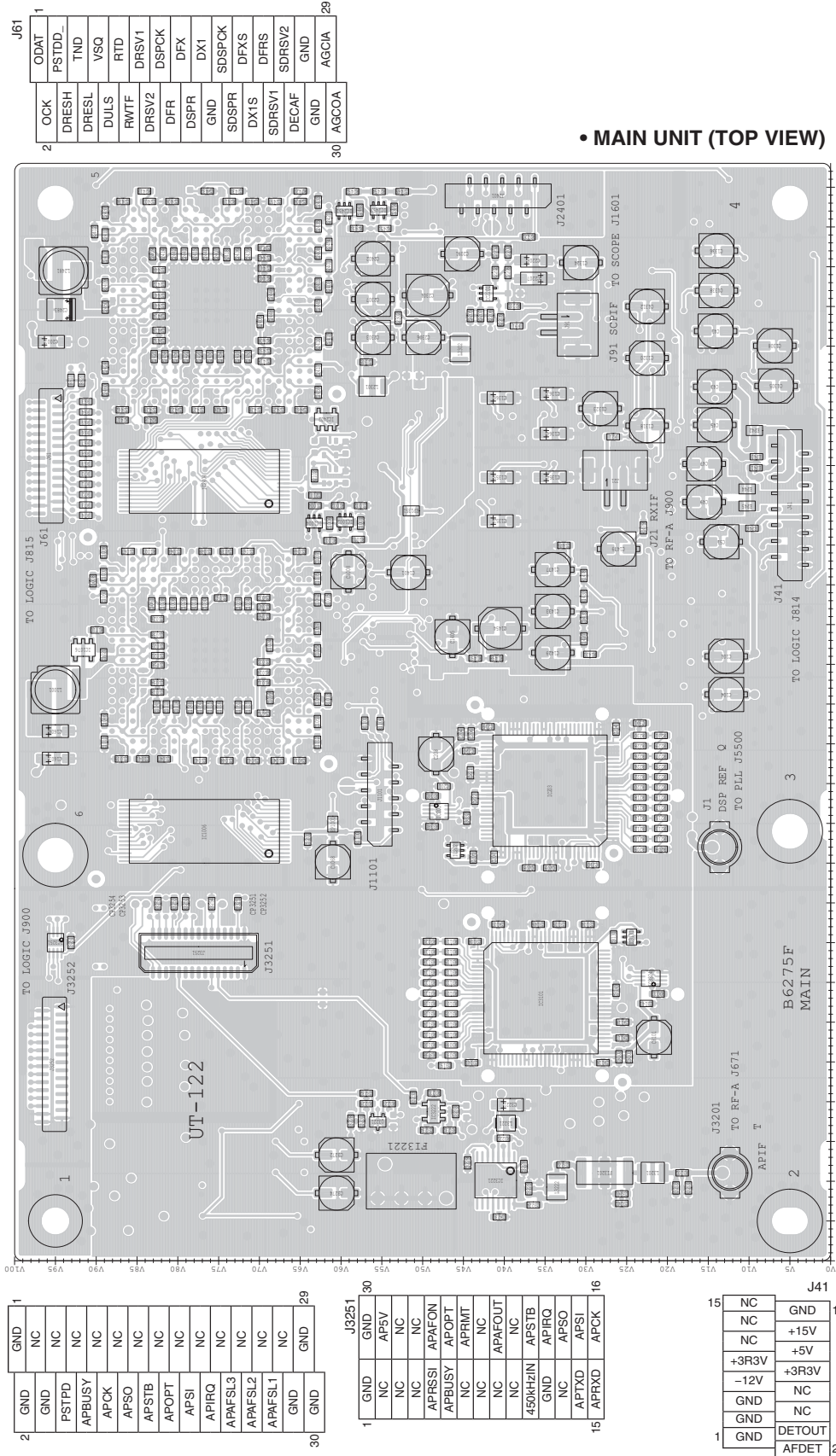
REF NO.	PARTS NO.	DESCRIPTION	M.	H/V LOCATION
EP807	6910013310	S.BEA MMZ1608D121B	T	180.7/92.4
EP808	6910013310	S.BEA MMZ1608D121B	T	178.1/91.7
EP809	6910013310	S.BEA MMZ1608D121B	T	180.7/91.0
EP810	6910013310	S.BEA MMZ1608D121B	T	178.1/90.3
EP811	6910013310	S.BEA MMZ1608D121B	T	180.7/89.6
EP812	6910013310	S.BEA MMZ1608D121B	T	178.1/88.9
EP813	6910013310	S.BEA MMZ1608D121B	T	180.7/88.2
EP814	6910013310	S.BEA MMZ1608D121B	T	178.1/87.5
EP815	6910013310	S.BEA MMZ1608D121B	T	180.7/86.8
EP816	6910013310	S.BEA MMZ1608D121B	T	178.1/86.1
EP817	6910013310	S.BEA MMZ1608D121B	T	180.7/85.4
EP818	6910013310	S.BEA MMZ1608D121B	T	178.1/84.7
EP819	6910013310	S.BEA MMZ1608D121B	T	180.7/84.0
EP820	6910013310	S.BEA MMZ1608D121B	T	180.7/82.0
EP822	6910014730	S.BEA MPZ2012S331A-T	T	181.6/48.6
EP823	6910014730	S.BEA MPZ2012S331A-T	T	181.6/51.4
EP825	6910014730	S.BEA MPZ2012S331A-T	T	181.5/55.3
EP826	6910015970	S.BEA MMZ1608B 301CT-AS	T	182.5/57.7
EP827	6910015970	S.BEA MMZ1608B 301CT-AS	T	182.5/60.3
EP828	6910015970	S.BEA MMZ1608B 301CT-AS	T	182.5/61.6
EP829	6910015970	S.BEA MMZ1608B 301CT-AS	T	182.5/59.0
EP851	6910014730	S.BEA MPZ2012S331A-T	T	135.3/9.9
EP853	6910014730	S.BEA MPZ2012S331A-T	T	137.8/9.9
EP854	6910014730	S.BEA MPZ2012S331A-T	T	140.3/9.9
EP855	6910014730	S.BEA MPZ2012S331A-T	T	142.8/9.9
EP856	6910014730	S.BEA MPZ2012S331A-T	T	132.8/9.9
EP857	6910014730	S.BEA MPZ2012S331A-T	T	130.3/9.9
EP861	6910014730	S.BEA MPZ2012S331A-T	T	66.5/10.1
EP862	6910014730	S.BEA MPZ2012S331A-T	T	68.5/10.1
EP901	6910015970	S.BEA MMZ1608B 301CT-AS	T	8.7/105.3
EP902	6910014730	S.BEA MPZ2012S331A-T	T	2.2/111.3
EP903	6910014730	S.BEA MPZ2012S331A-T	T	9.6/134.5
EP904	6910014730	S.BEA MPZ2012S331A-T	T	15.3/126.1
EP905	6910014730	S.BEA MPZ2012S331A-T	T	71.2/142.0
EP906	6910014730	S.BEA MPZ2012S331A-T	T	91.0/151.0
EP907	6910014730	S.BEA MPZ2012S331A-T	T	106.0/151.0
EP908	6910014730	S.BEA MPZ2012S331A-T	T	97.0/151.1
EP909	6910014730	S.BEA MPZ2012S331A-T	T	38.3/151.0
EP910	6910014730	S.BEA MPZ2012S331A-T	T	28.3/151.0
EP911	6910014730	S.BEA MPZ2012S331A-T	T	9.1/140.7
EP912	6910014730	S.BEA MPZ2012S331A-T	T	9.1/138.9
EP913	6910015970	S.BEA MMZ1608B 301CT-AS	T	9.3/137.4
EP914	6910015970	S.BEA MMZ1608B 301CT-AS	T	9.3/136.1
EP915	6910015970	S.BEA MMZ1608B 301CT-AS	B	4.2/137.3
EP916	6910015970	S.BEA MMZ1608B 301CT-AS	B	4.3/135.8
EP920	6910015970	S.BEA MMZ1608B 301CT-AS	T	2.2/107.5
EP921	6910014730	S.BEA MPZ2012S331A-T	T	20.9/142.0
EP931	6910015970	S.BEA MMZ1608B 301CT-AS	T	52.6/141.3
EP932	6910015970	S.BEA MMZ1608B 301CT-AS	T	53.3/150.8
EP933	6910015970	S.BEA MMZ1608B 301CT-AS	T	59.6/141.0
EP934	6910014730	S.BEA MPZ2012S331A-T	T	56.6/140.7
EP941	6910015970	S.BEA MMZ1608B 301CT-AS	T	73.6/140.9
EP942	6910015970	S.BEA MMZ1608B 301CT-AS	T	74.9/140.9
EP943	6910015970	S.BEA MMZ1608B 301CT-AS	T	76.2/140.9
EP944	6910015970	S.BEA MMZ1608B 301CT-AS	T	77.5/140.9
EP945	6910014730	S.BEA MPZ2012S331A-T	T	81.7/141.0
EP951	6910014730	S.BEA MPZ2012S331A-T	T	99.1/140.2
EP952	6910014730	S.BEA MPZ2012S331A-T	T	95.3/140.2
EP961	6910015970	S.BEA MMZ1608B 301CT-AS	T	177.4/19.1
EP963	6910014730	S.BEA MPZ2012S331A-T	T	179.3/26.7
EP964	6910014730	S.BEA MPZ2012S331A-T	T	179.3/28.5
EP965	6910014730	S.BEA MPZ2012S331A-T	T	179.3/30.2
EP971	6910015970	S.BEA MMZ1608B 301CT-AS	T	180.7/133.0
EP972	6910015970	S.BEA MMZ1608B 301CT-AS	T	180.7/131.0
EP973	6910015970	S.BEA MMZ1608B 301CT-AS	T	183.2/130.0
EP974	6910015970	S.BEA MMZ1608B 301CT-AS	T	180.7/129.0
EP975	6910014730	S.BEA MPZ2012S331A-T	T	181.8/135.6
EP976	6910015970	S.BEA MMZ1608B 301CT-AS	T	183.2/128.0
EP981	6910015970	S.BEA MMZ1608B 301CT-AS	T	36.0/140.9
EP982	6910015970	S.BEA MMZ1608B 301CT-AS	T	34.7/140.9
EP983	6910014730	S.BEA MPZ2012S331A-T	T	38.2/140.6
EP984	6910014730	S.BEA MPZ2012S331A-T	T	31.2/140.6
EP991	6910015970	S.BEA MMZ1608B 301CT-AS	T	37.8/8.4
EP992	6910014730	S.BEA MPZ2012S331A-T	T	39.9/8.7
EP1051	6910014730	S.BEA MPZ2012S331A-T	T	124.9/9.9
EP1052	6910014730	S.BEA MPZ2012S331A-T	T	58.7/10.2
EP1053	6910014730	S.BEA MPZ2012S331A-T	T	56.2/10.2
EP1054	6910014730	S.BEA MPZ2012S331A-T	T	22.9/19.1
EP1055	6910014730	S.BEA MPZ2012S331A-T	T	19.4/13.0
EP1056	6910014730	S.BEA MPZ2012S331A-T	B	22.7/19.5
EP1101	6910013310	S.BEA MMZ1608D121B	T	13.3/29.8
EP1102	6910013310	S.BEA MMZ1608D121B	T	10.5/30.5
EP1103	6910013310	S.BEA MMZ1608D121B	T	13.3/31.2
EP1104	6910013310	S.BEA MMZ1608D121B	T	10.5/31.9
EP1105	6910013310	S.BEA MMZ1608D121B	T	13.3/32.6
EP1106	6910013310	S.BEA MMZ1608D121B	T	10.5/33.3
EP1107	6910013310	S.BEA MMZ1608D121B	T	13.3/34.0
EP1108	6910013310	S.BEA MMZ1608D121B	T	10.5/34.7
EP1109	6910013310	S.BEA MMZ1608D121B	T	13.3/35.4
EP1110	6910013310	S.BEA MMZ1608D121B	T	10.5/36.1
EP1111	6910013310	S.BEA MMZ1608D121B	T	13.3/36.8
EP1112	6910013310	S.BEA MMZ1608D121B	T	10.5/37.5
EP1113	6910013310	S.BEA MMZ1608D121B	T	13.3/38.2
EP1114	6910013310	S.BEA MMZ1608D121B	T	10.5/38.9
EP1115	6910013310	S.BEA MMZ1608D121B	T	13.3/39.6
EP1116	6910013310	S.BEA MMZ1608D121B	T	10.5/40.3
EP1117	6910013310	S.BEA MMZ1608D121B	T	13.3/41.0
EP1118	6910013310	S.BEA MMZ1608D121B	T	10.5/41.7
EP1119	6910013310	S.BEA MMZ1608D121B	T	13.3/42.4
EP1120	6910013310	S.BEA MMZ1608D121B	T	10.5/43.1
EP1121	6910013310	S.BEA MMZ1608D121B	T	13.3/43.8
EP1122	6910013310	S.BEA MMZ1608D121B	T	10.5/44.5
EP1123	6910013310	S.BEA MMZ1608D121B	T	13.3/45.2
EP1124	6910013310	S.BEA MMZ1608D121B	T	10.5/47.2
EP1125	6910013310	S.BEA MMZ1608D121B	T	13.3/47.9

[LOGIC-A UNIT] (For only [USA])

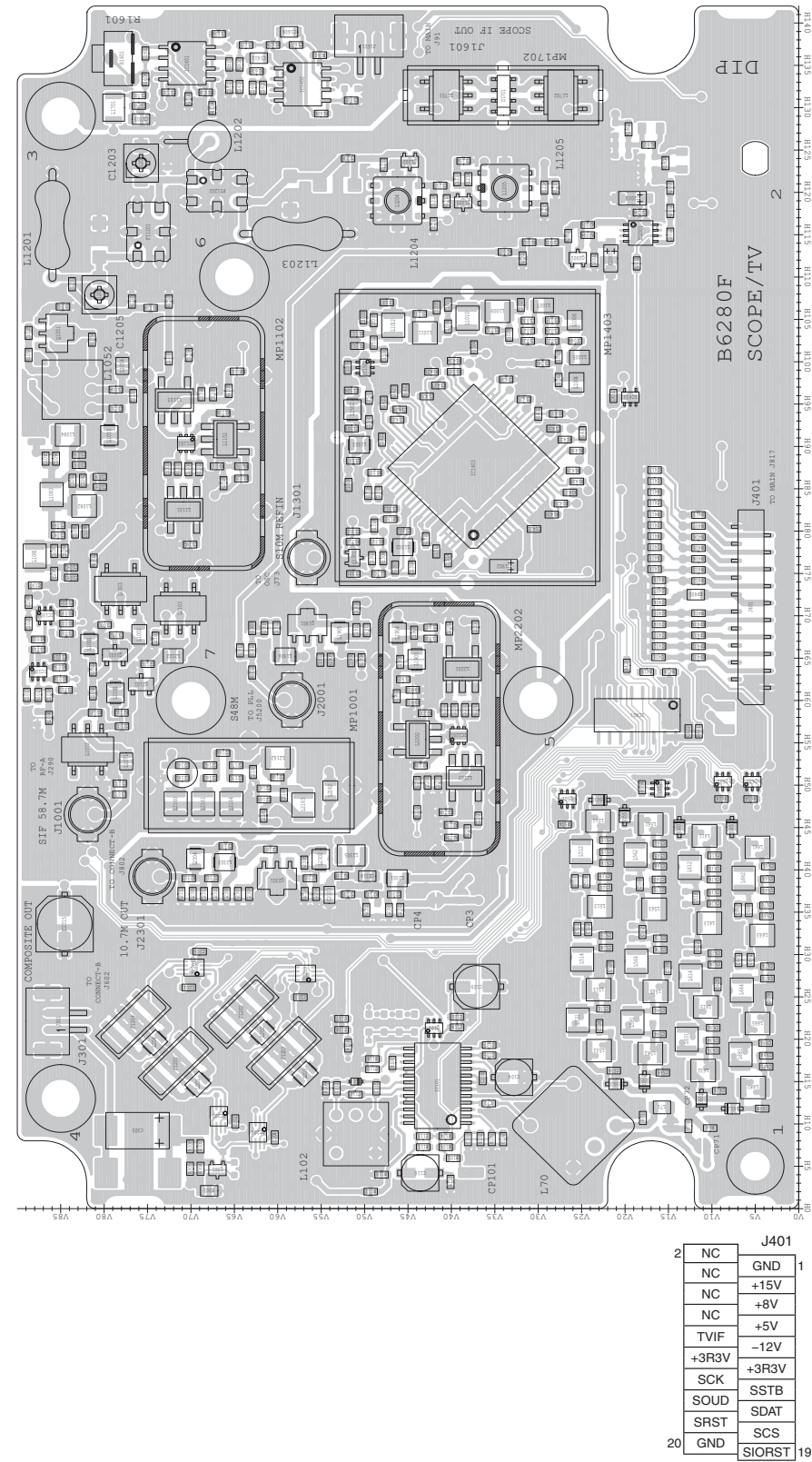
REF NO.	PARTS NO.	DESCRIPTION	M.	H/V LOCATION
EP1126	6910013310	S.BEA MMZ1608D121B	T	10.5/48.6
EP1127	6910013310	S.BEA MMZ1608D121B	T	13.3/49.3
EP1128	6910013310	S.BEA MMZ1608D121B	T	10.5/50.0
EP1129	6910013310	S.BEA MMZ1608D121B	T	13.3/50.7
EP1130	6910013310	S.BEA MMZ1608D121B	T	10.5/51.4
EP1131	6910013310	S.BEA MMZ1608D121B	T	13.3/52.1
EP1132	6910013310	S.BEA MMZ1608D121B	T	10.5/52.8
EP1133	6910013310	S.BEA MMZ1608D121B	T	13.3/53.5
EP1134	6910013310	S.BEA MMZ1608D121B	T	10.5/54.2
EP1135	6910013310	S.BEA MMZ1608D121B	T	13.3/54.9
EP1136	6910013310	S.BEA MMZ1608D121B	T	10.5/55.6
EP1137	6910013310	S.BEA MMZ1608D121B	T	13.3/56.3
EP1138	6910013310	S.BEA MMZ1608D121B	T	10.5/57.0
EP1139	6910013310	S.BEA MMZ1608D121B	T	13.3/57.7
EP1140	6910013310	S.BEA MMZ1608D121B	T	10.5/58.4
EP1141	6910013310	S.BEA MMZ1608D121B	T	13.3/59.1
EP1142	6910013310	S.BEA MMZ1608D121B	T	10.5/59.8
EP1143	6910013310	S.BEA MMZ1608D121B	T	13.3/60.5
EP1144	6910013310	S.BEA MMZ1608D121B	T	10.5/61.2
EP1145	6910013310	S.BEA MMZ1608D121B	T	13.3/61.9
EP1146	6910013310	S.BEA MMZ1608D121B	T	10.5/62.6
EP1147	6910014730	S.BEA MPZ2012S331A-T	T	22.6/45.9
EP1149	6910014730	S.BEA MPZ2012S331A-T	T	39.7/19.8
EP1263	6910015970	S.BEA MMZ1608B 301CT-AS	T	36.2/19.4
EP1273	6910015970	S.BEA MMZ1608B 301CT-AS	T	38.1/19.5

M.=Mounted side (T: Mounted on the Top side, B: Mounted on the Bottom side)
S.=Surface mount

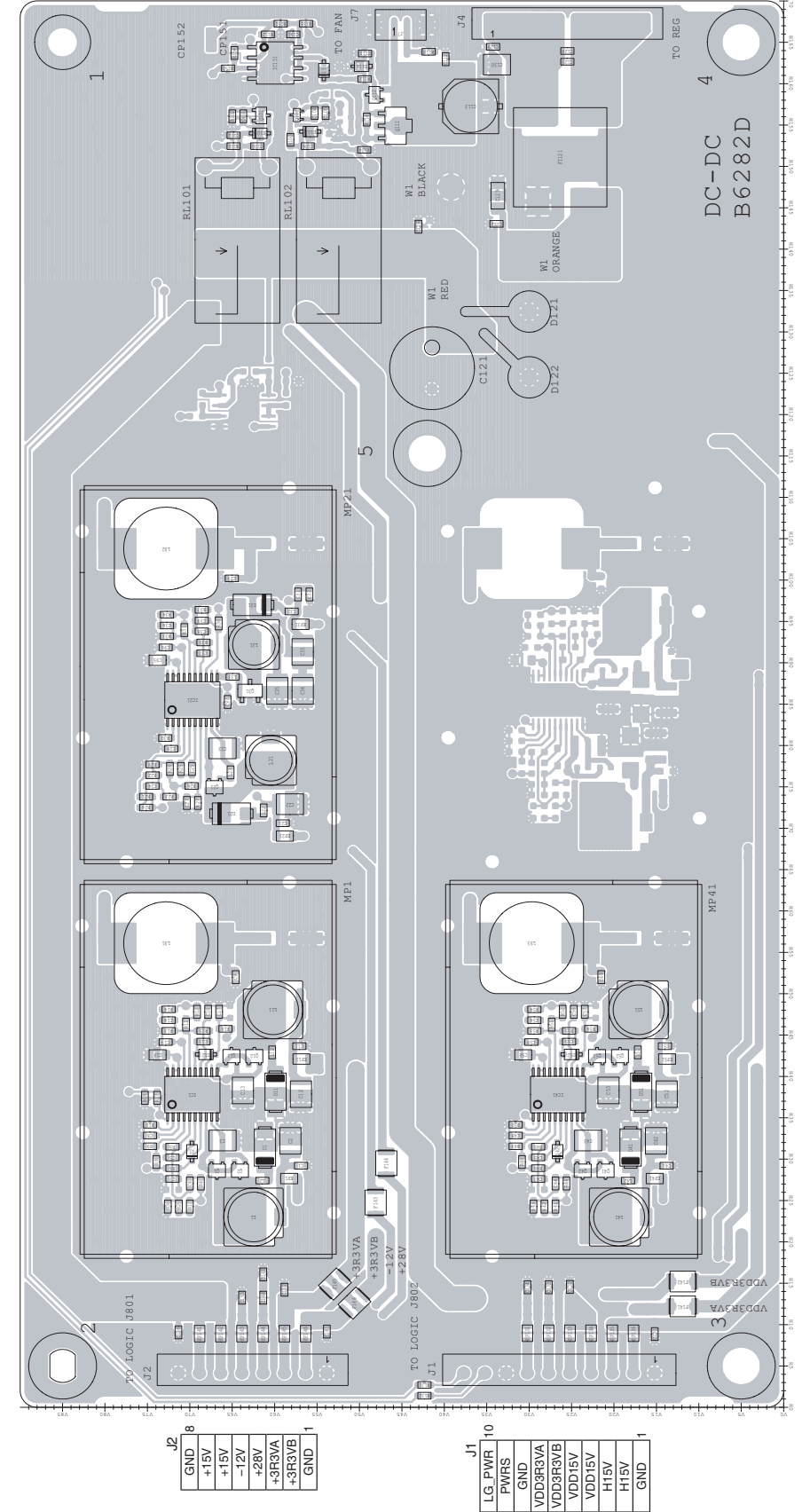
BOARD LAYOUTS



• SCOPE/TV UNIT (TOP VIEW)



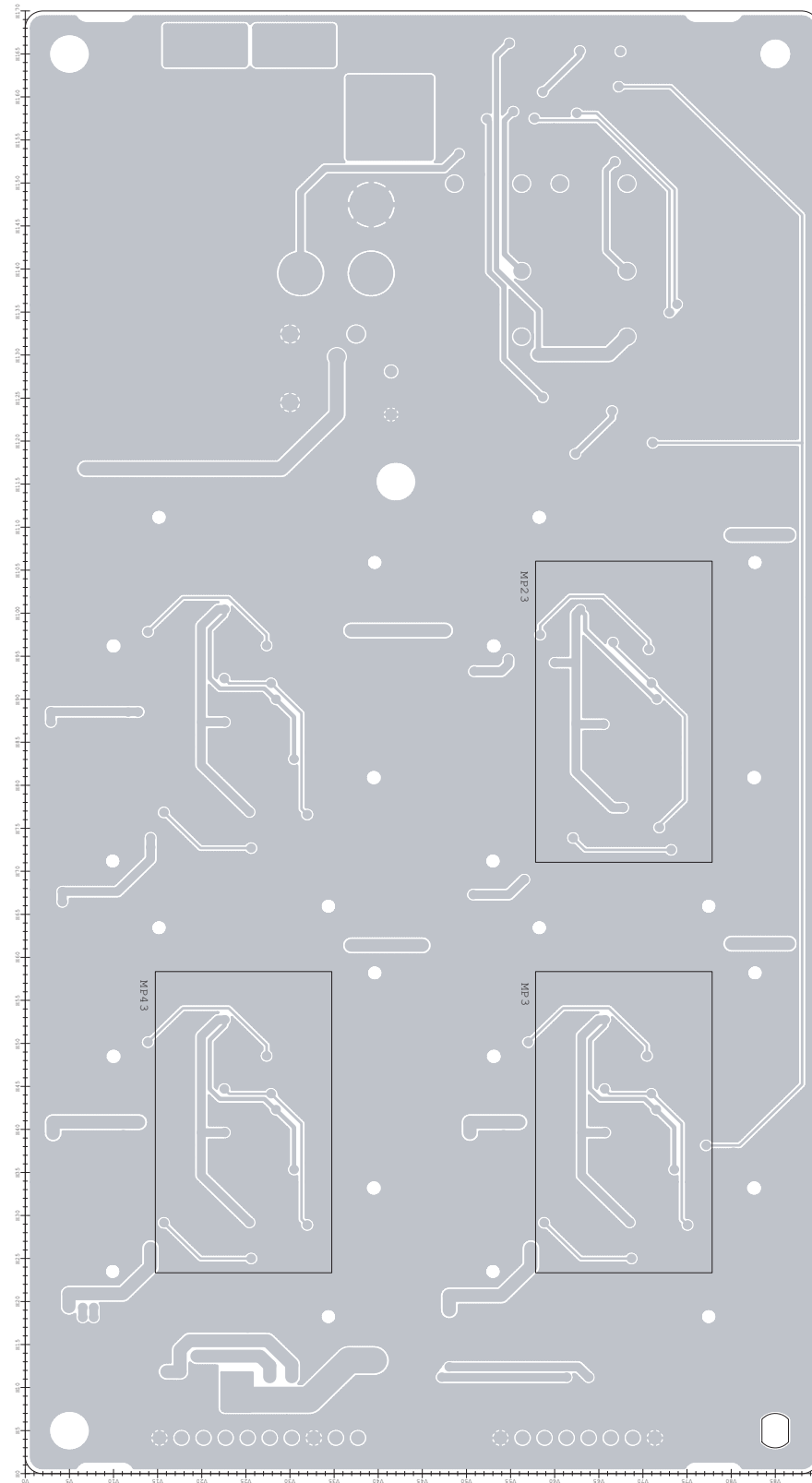
• DC-DC UNIT (TOP VIEW)



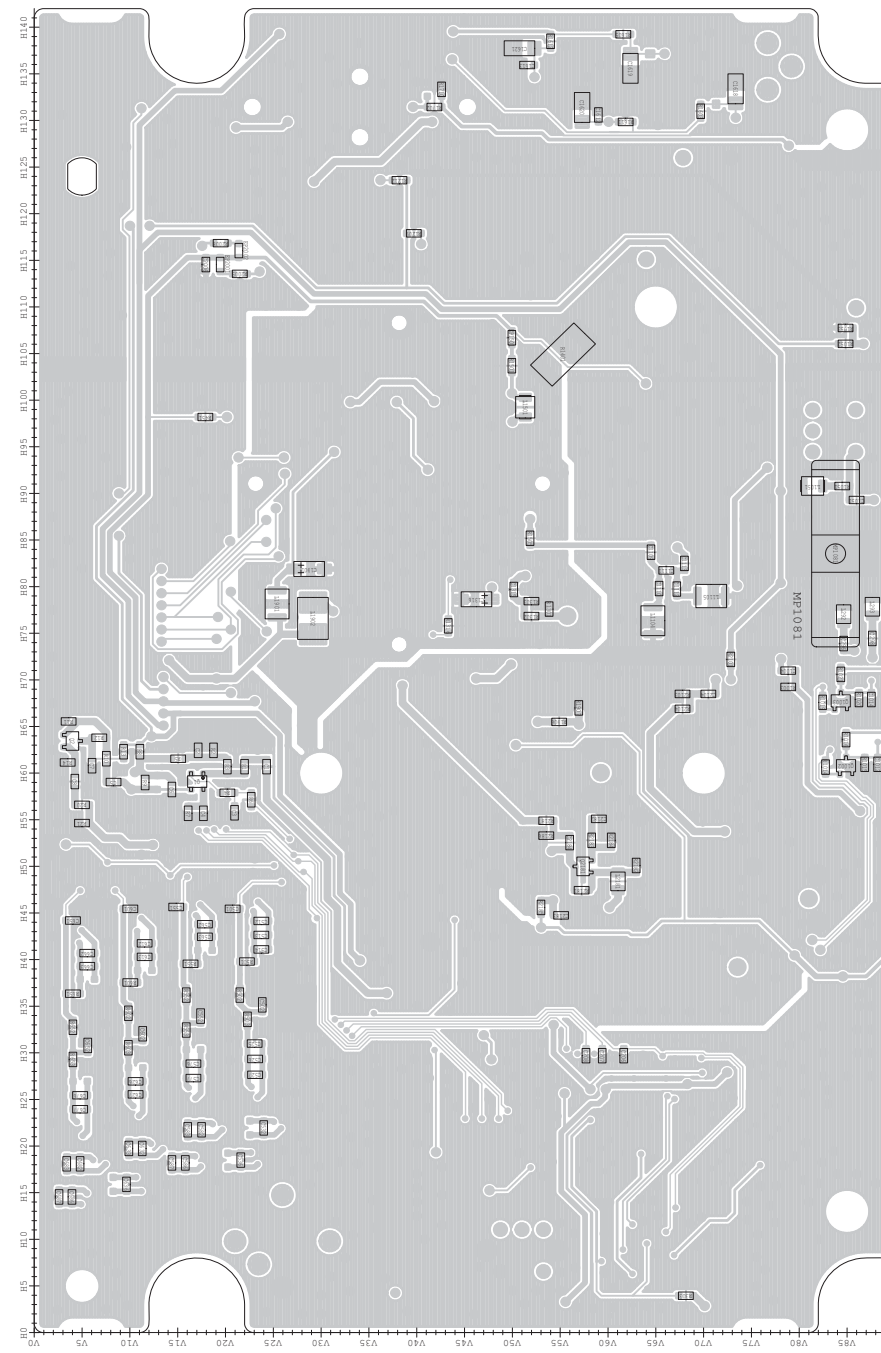
The combination of this side and the bottom side shows the board layout in the same configuration as the actual P.C.Board.

The combination of this side and the bottom side shows the board layout in the same configuration as the actual P.C.Board.

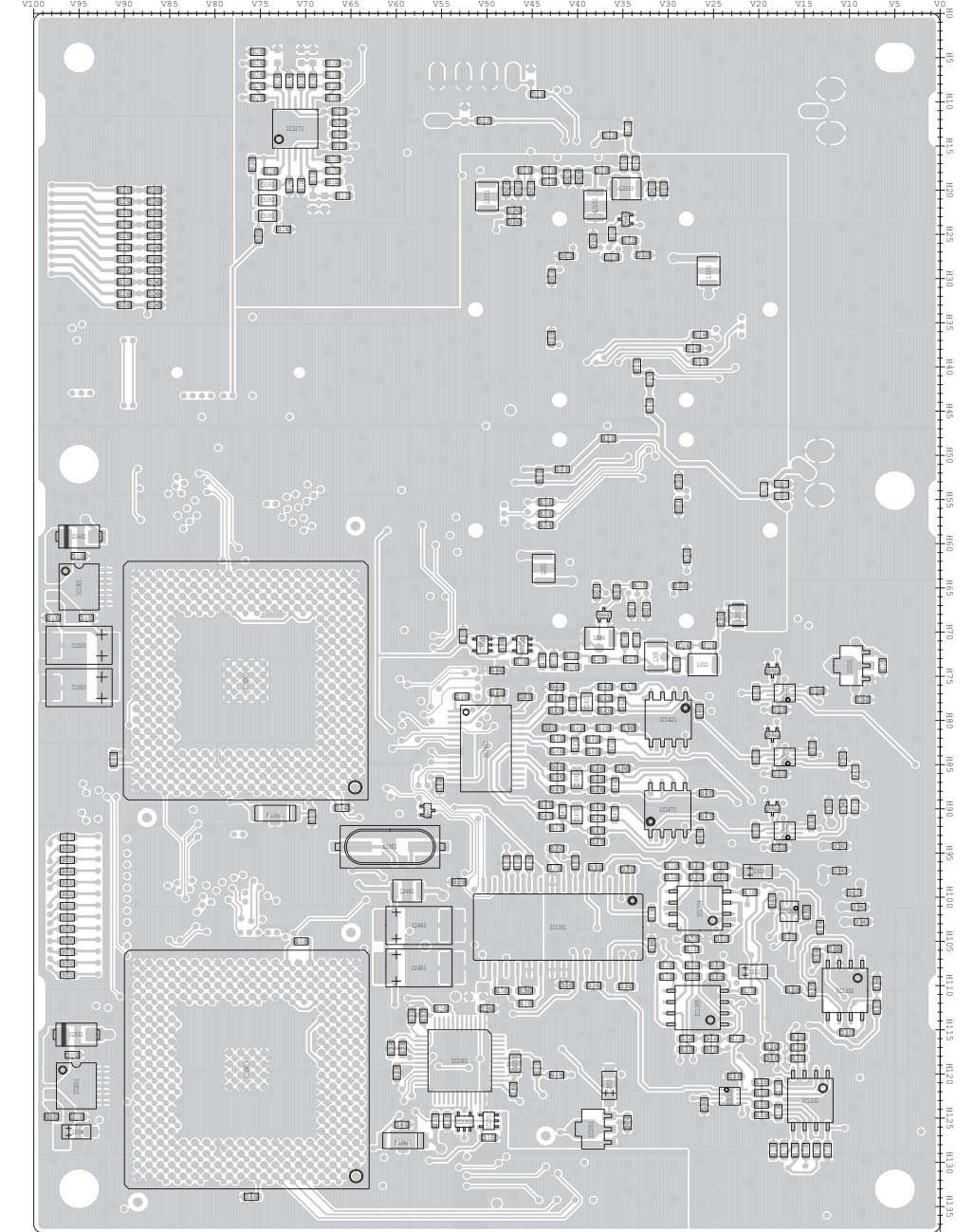
• DC-DC UNIT (BOTTOM VIEW)



• SCOPE/TV UNIT (BOTTOM VIEW)

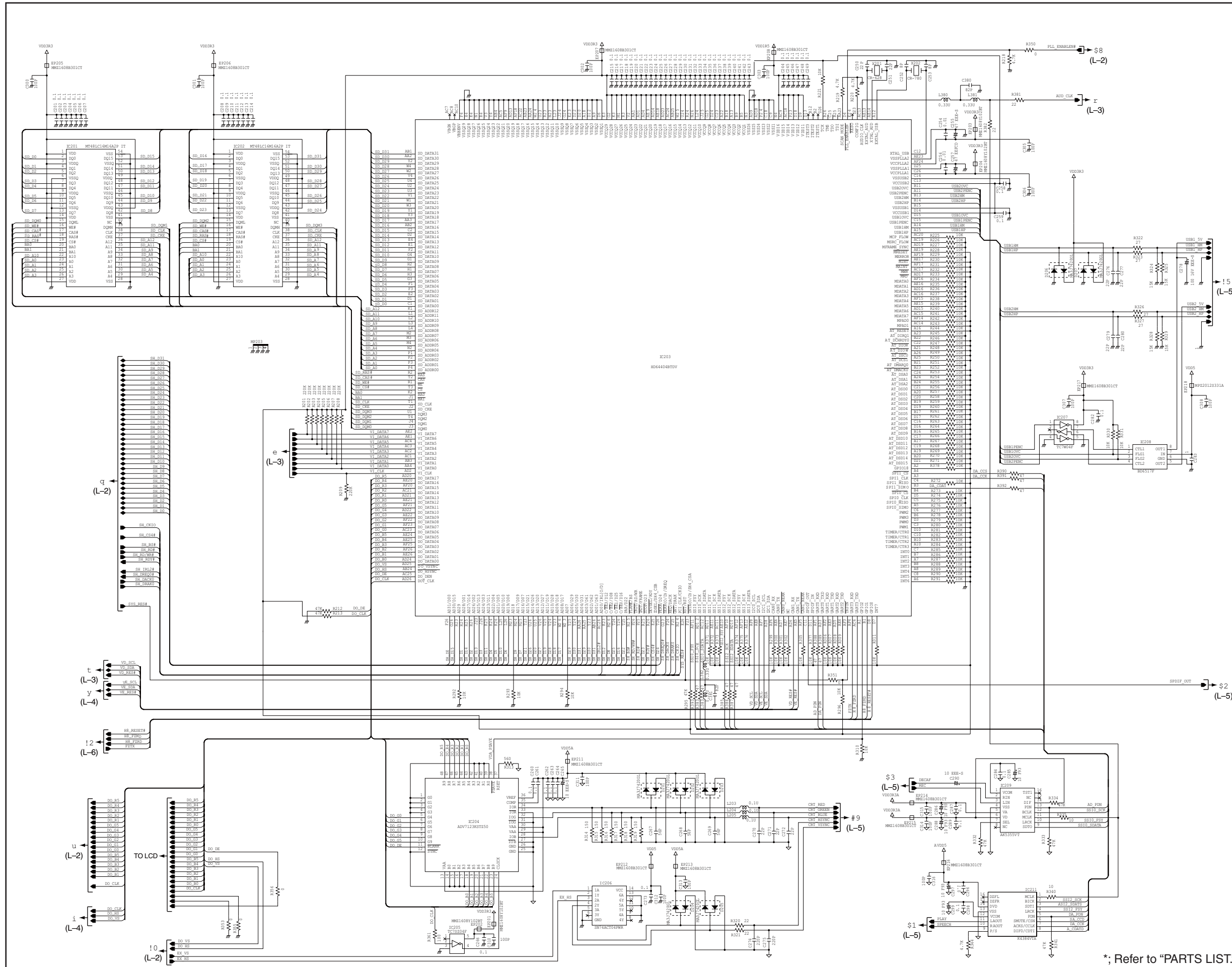


• MAIN UNIT (BOTTOM VIEW)



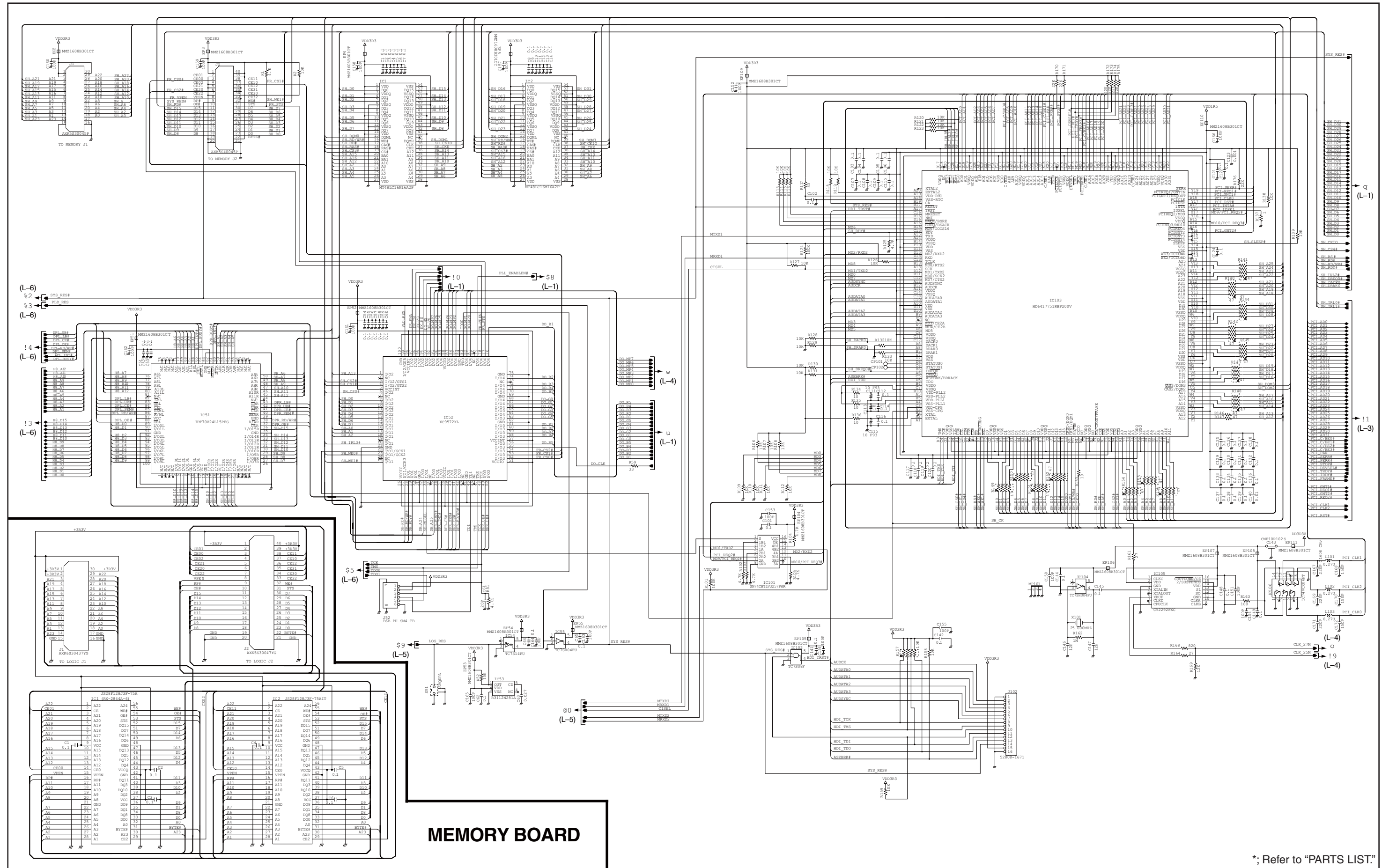
SCHEMATIC DIAGRAMS

• LOGIC/LOGIC-A UNIT (1)



*; Refer to "PARTS LIST."

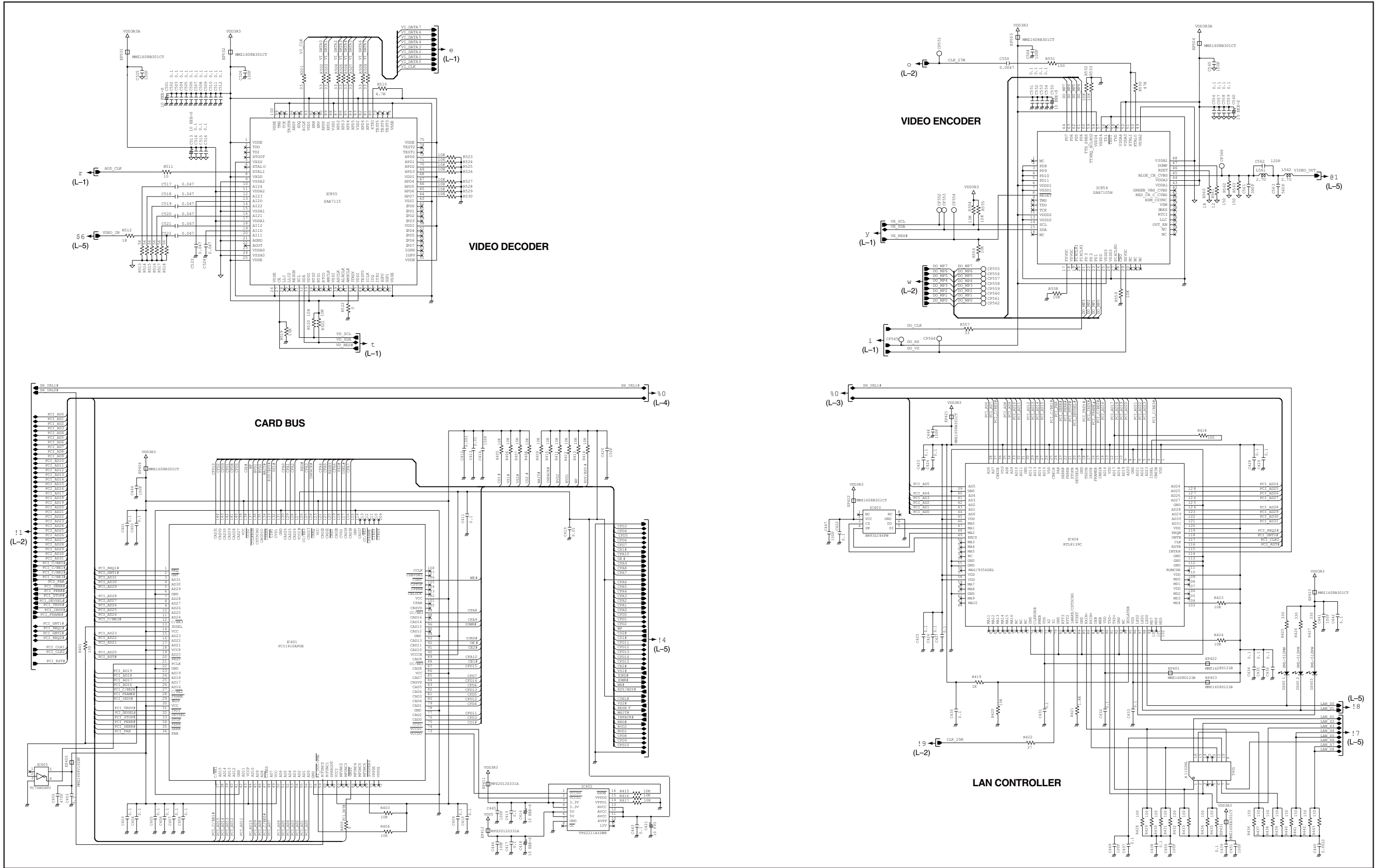
• LOGIC/LOGIC-A UNIT (2)



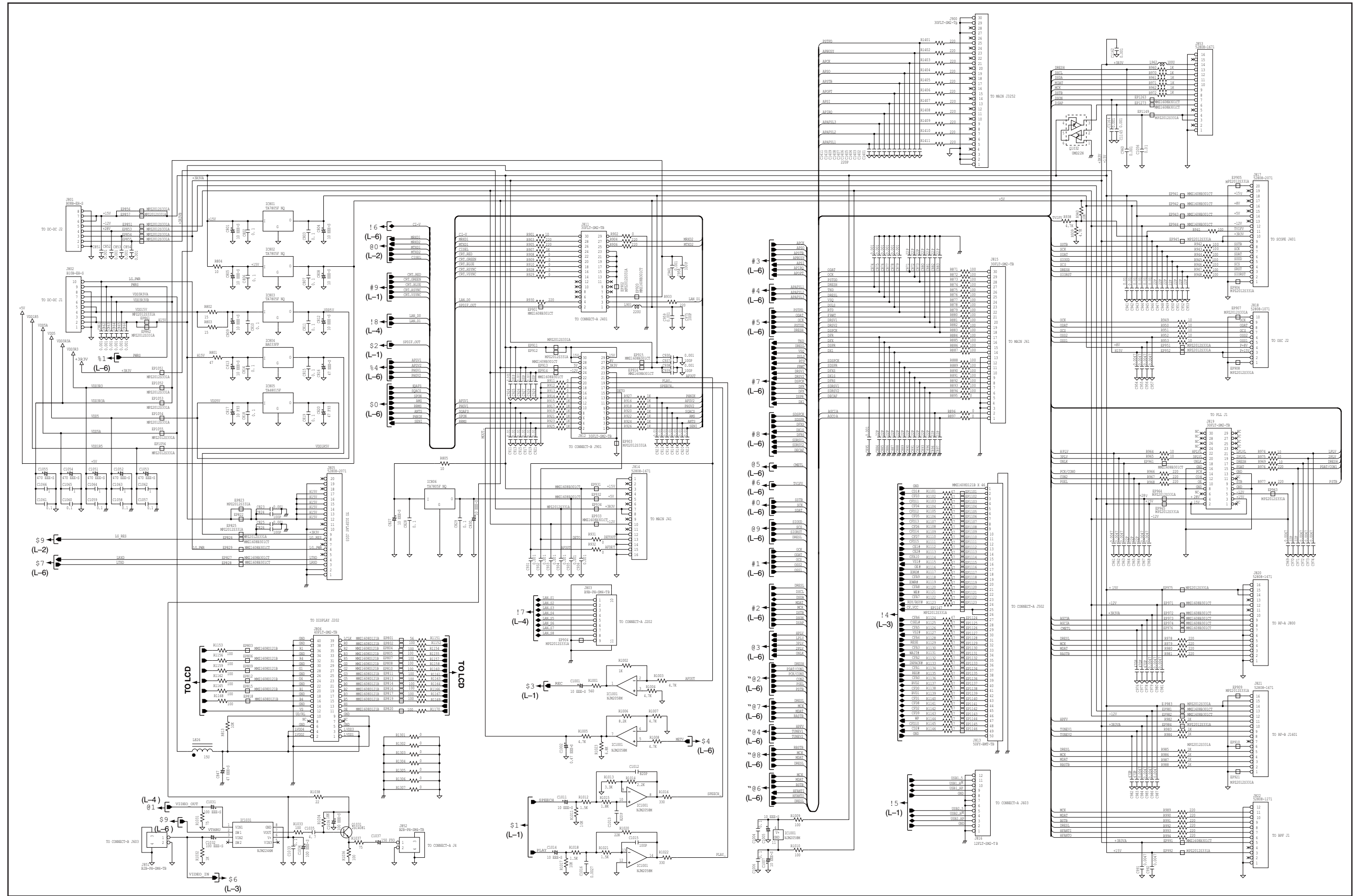
MEMORY BOARD

*; Refer to "PARTS LIST."

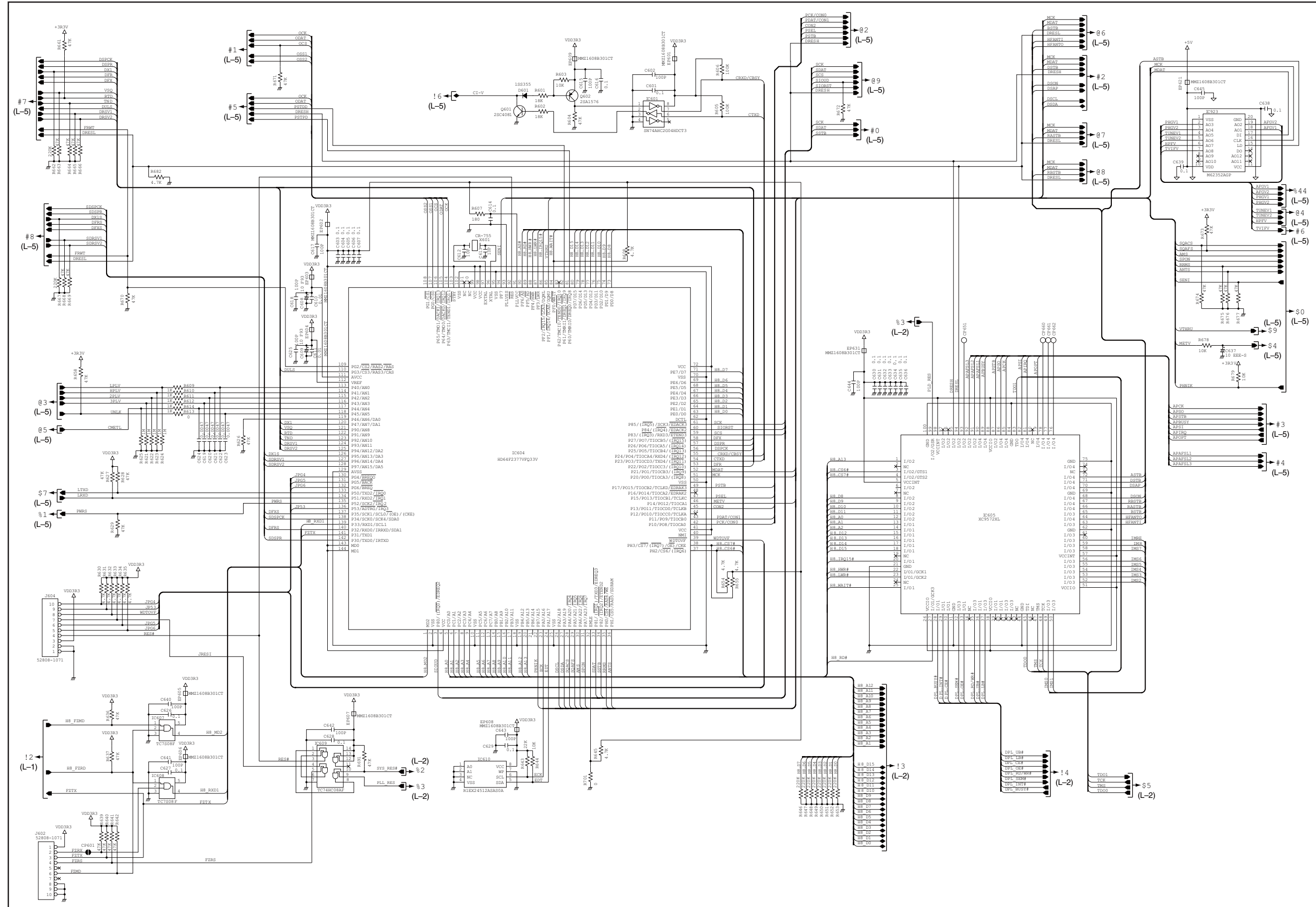
• LOGIC/LOGIC-A UNIT (3)



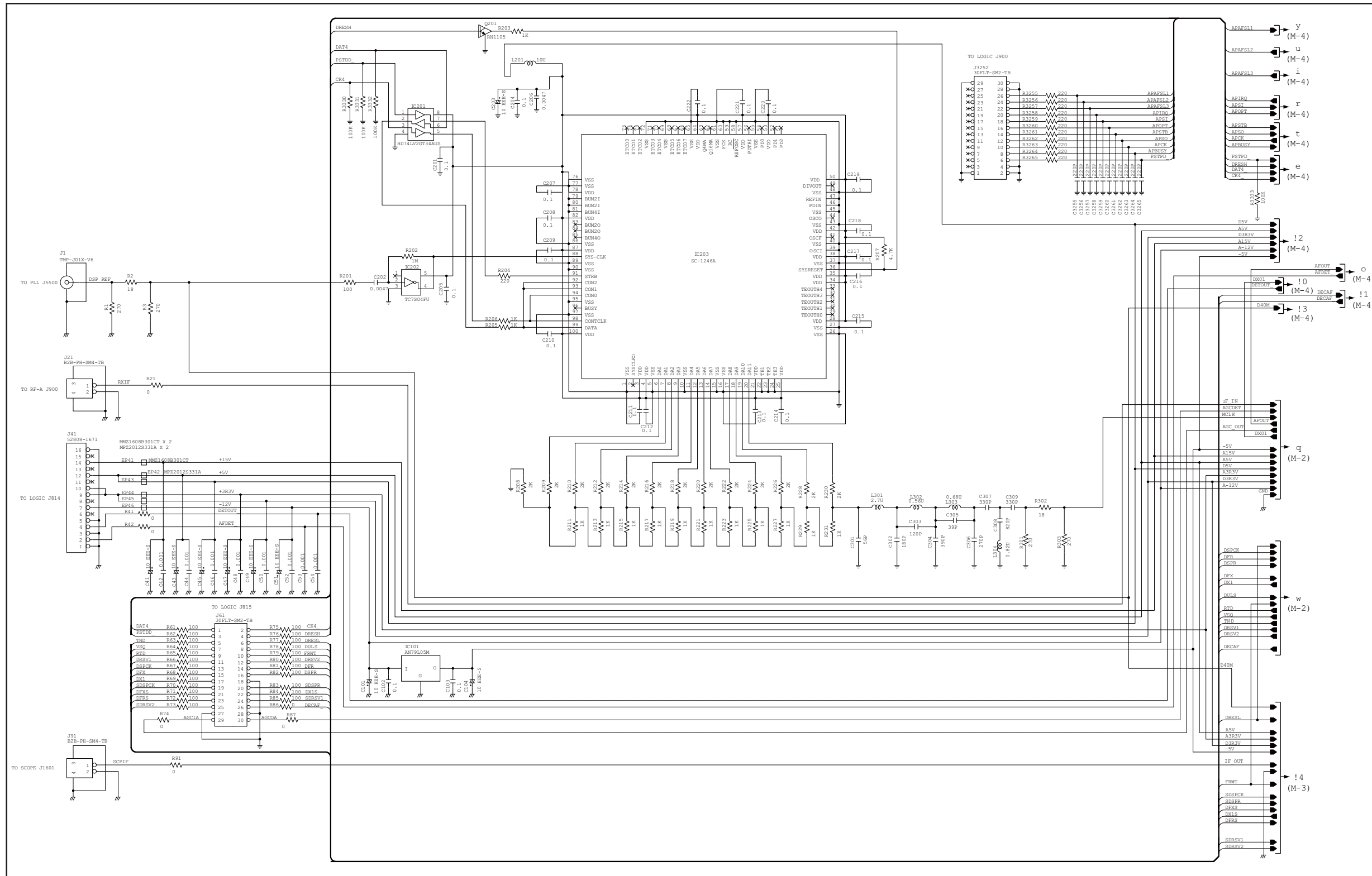
• LOGIC/LOGIC-A UNIT (4)



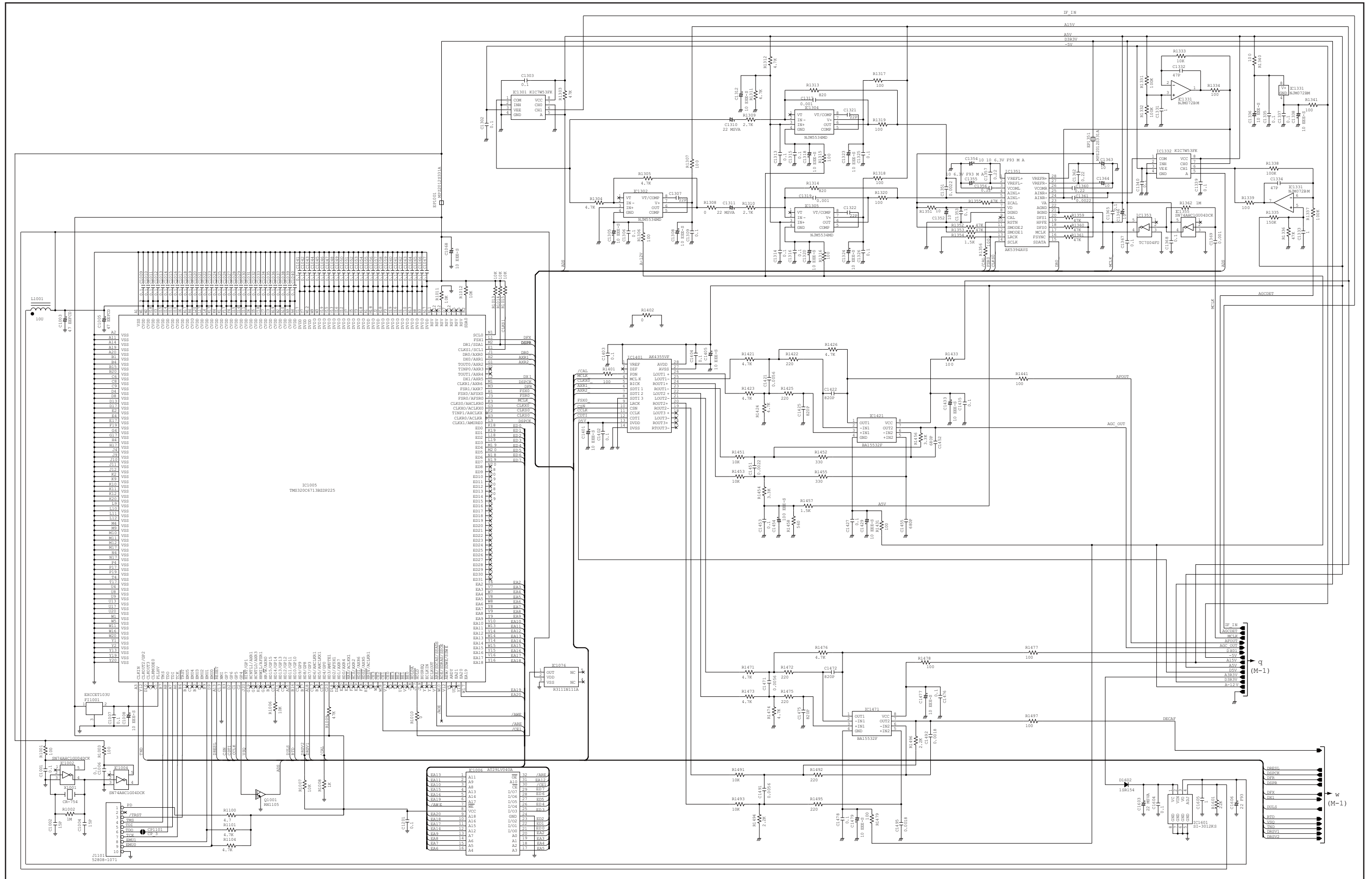
• LOGIC/LOGIC-A UNIT (5)



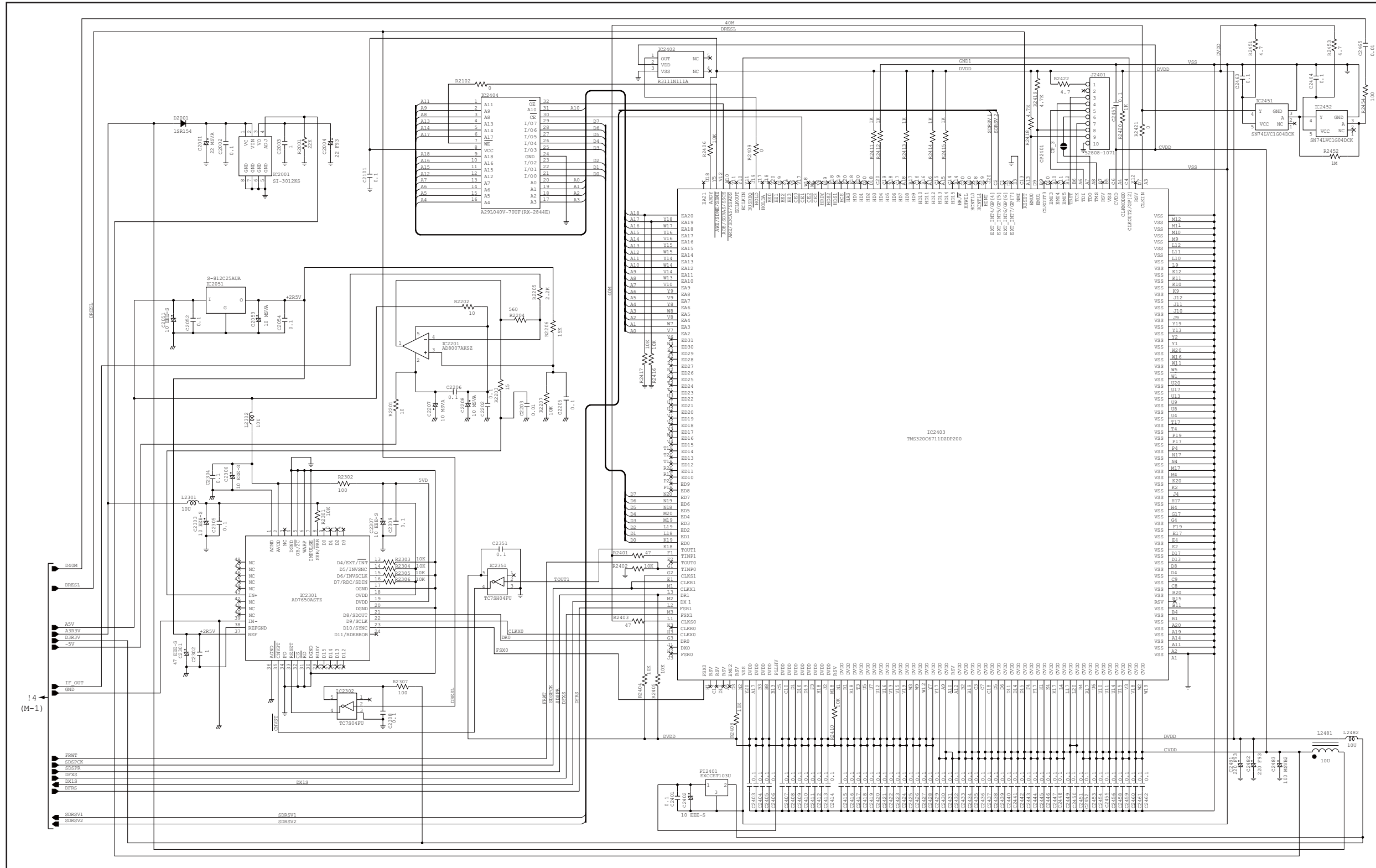
• MAIN UNIT (1)



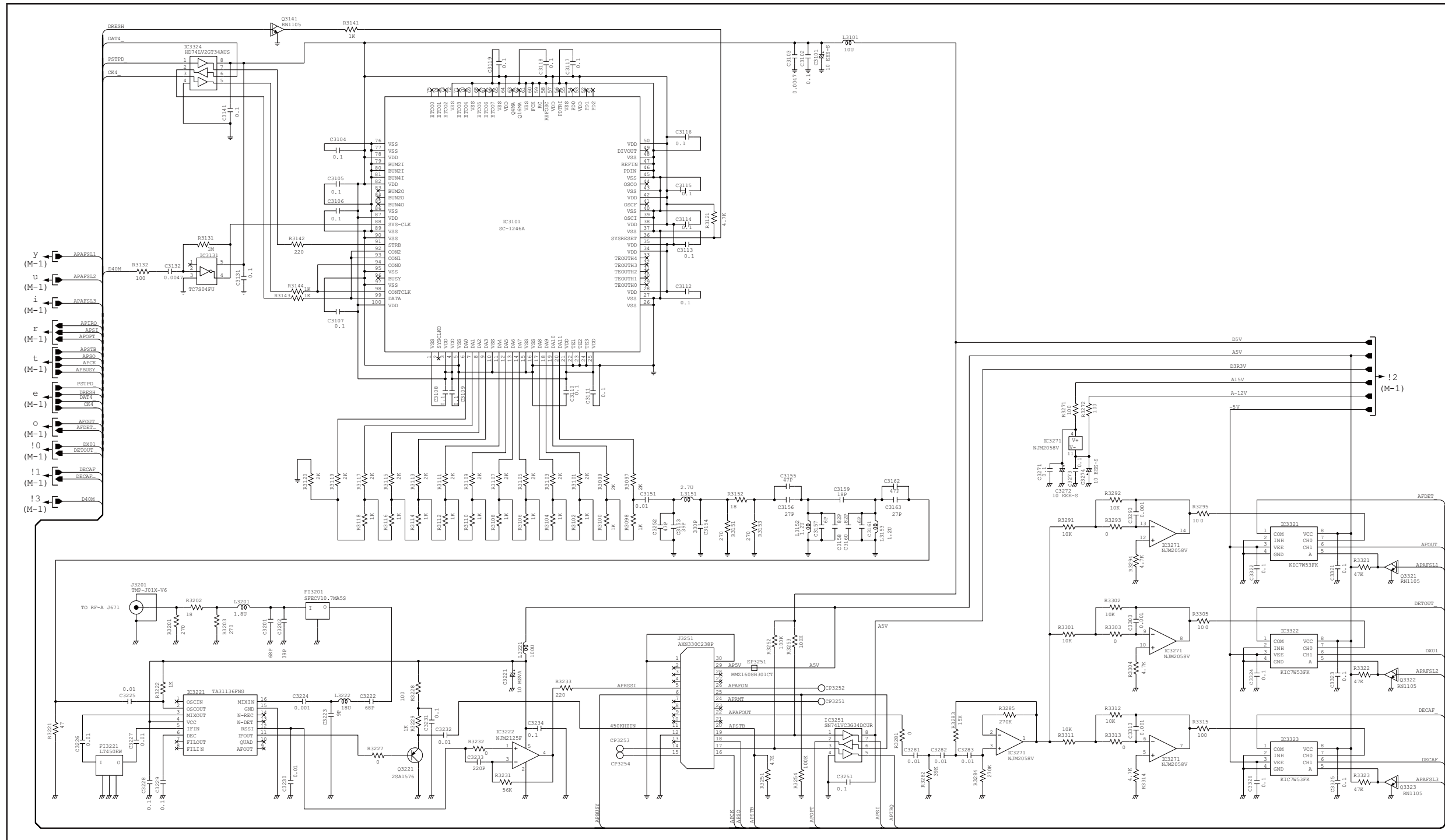
• MAIN UNIT (2)



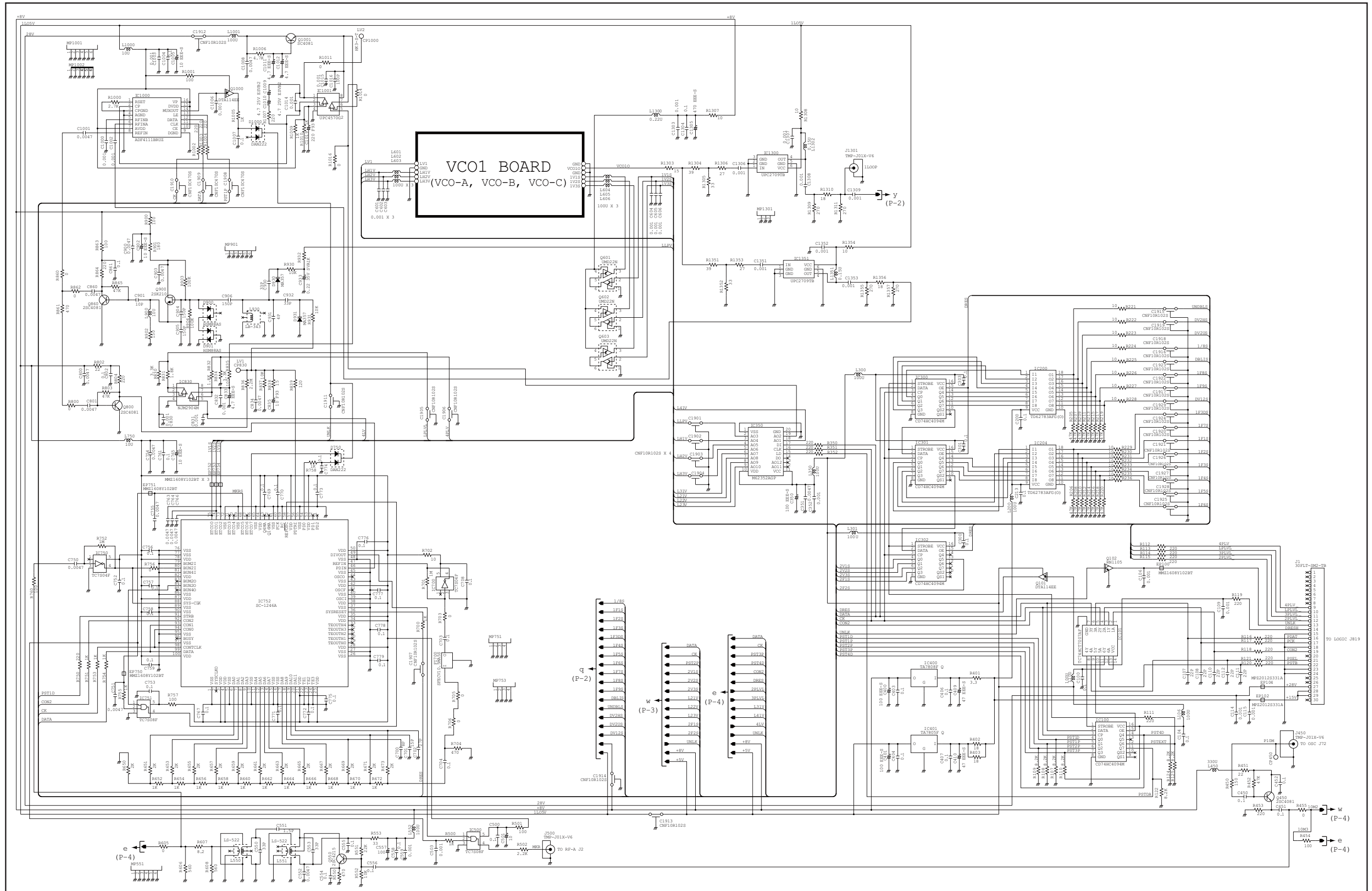
• MAIN UNIT (3)



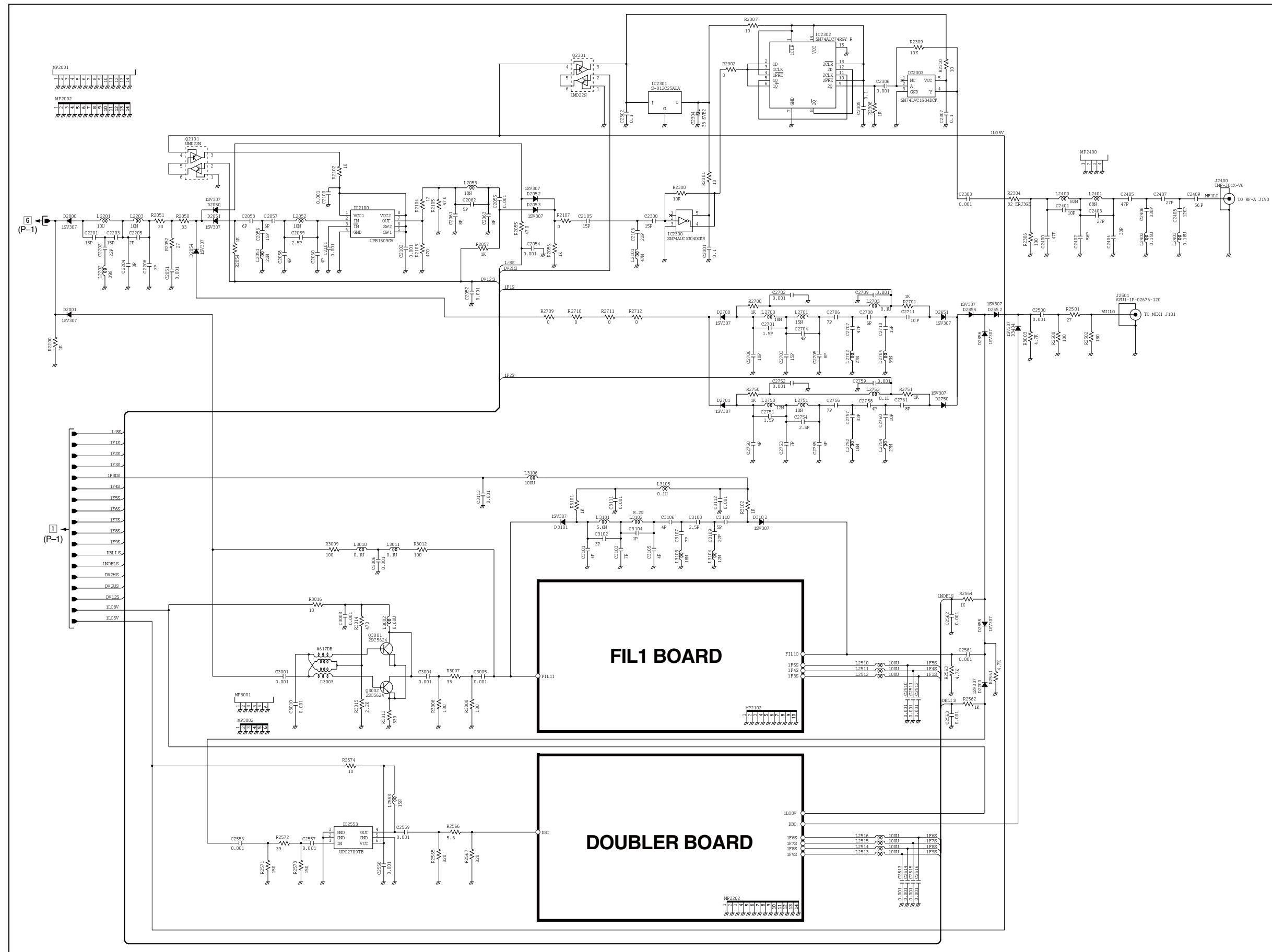
• MAIN UNIT (4)



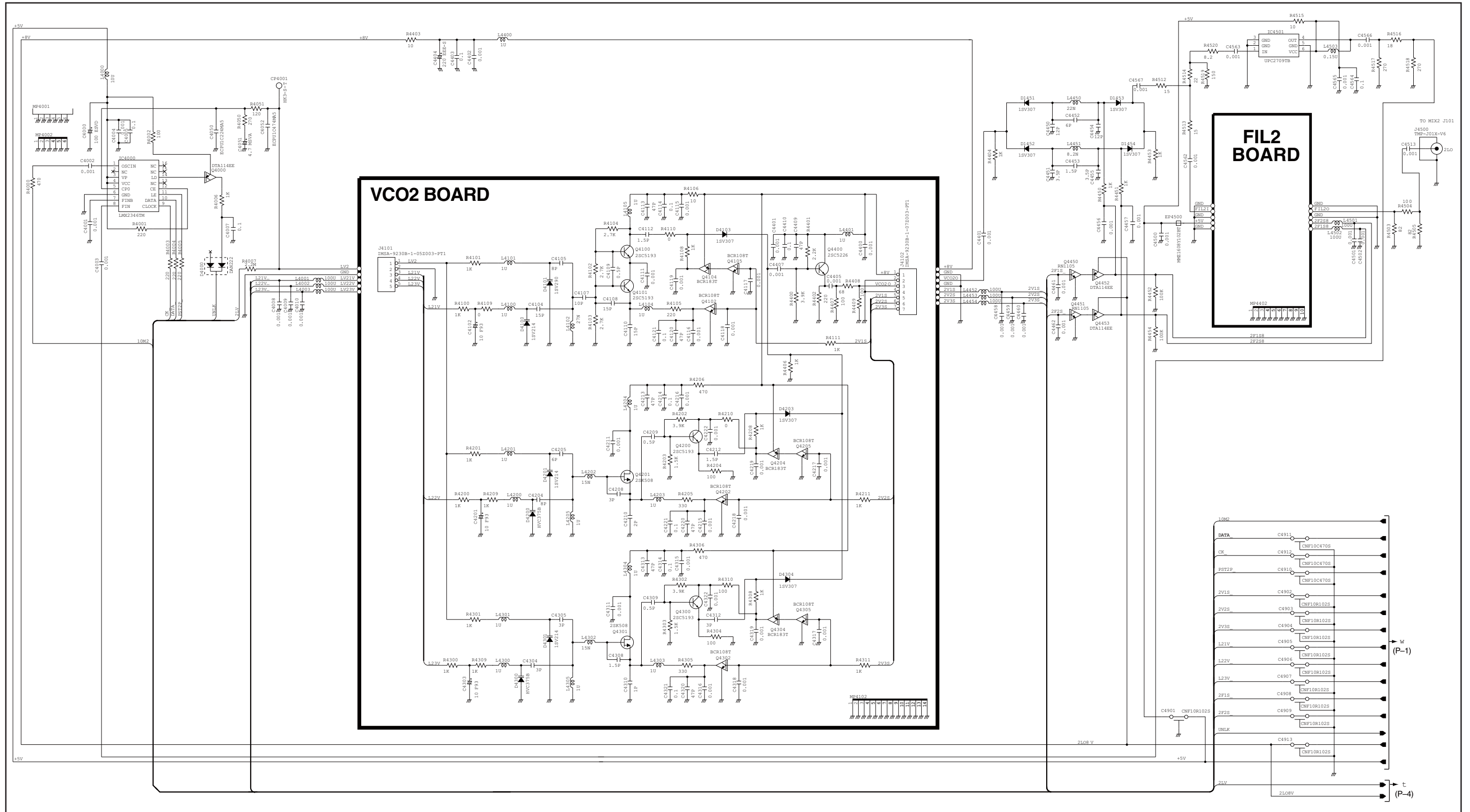
• PLL UNIT (1)



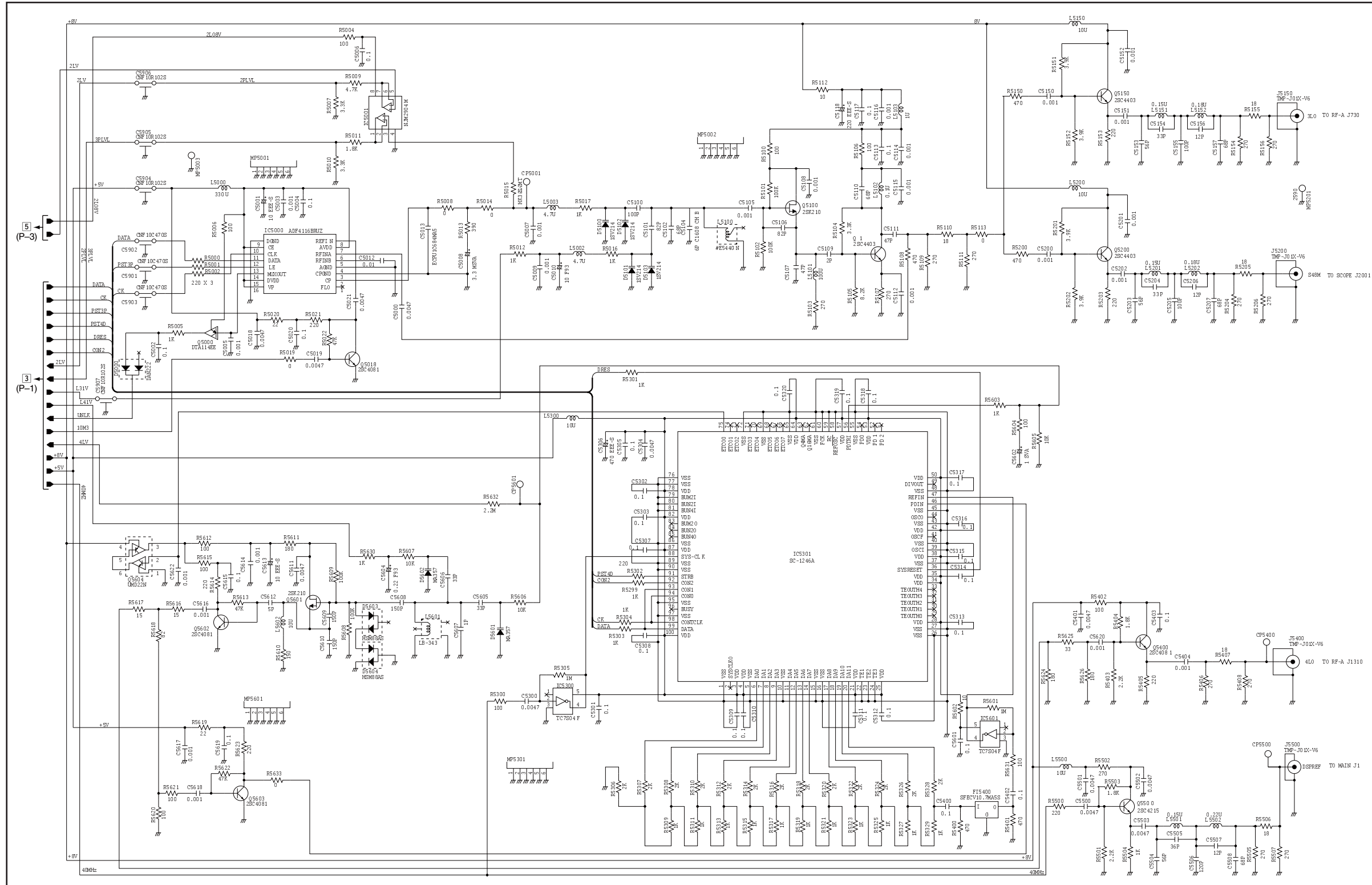
• PLL UNIT (2)



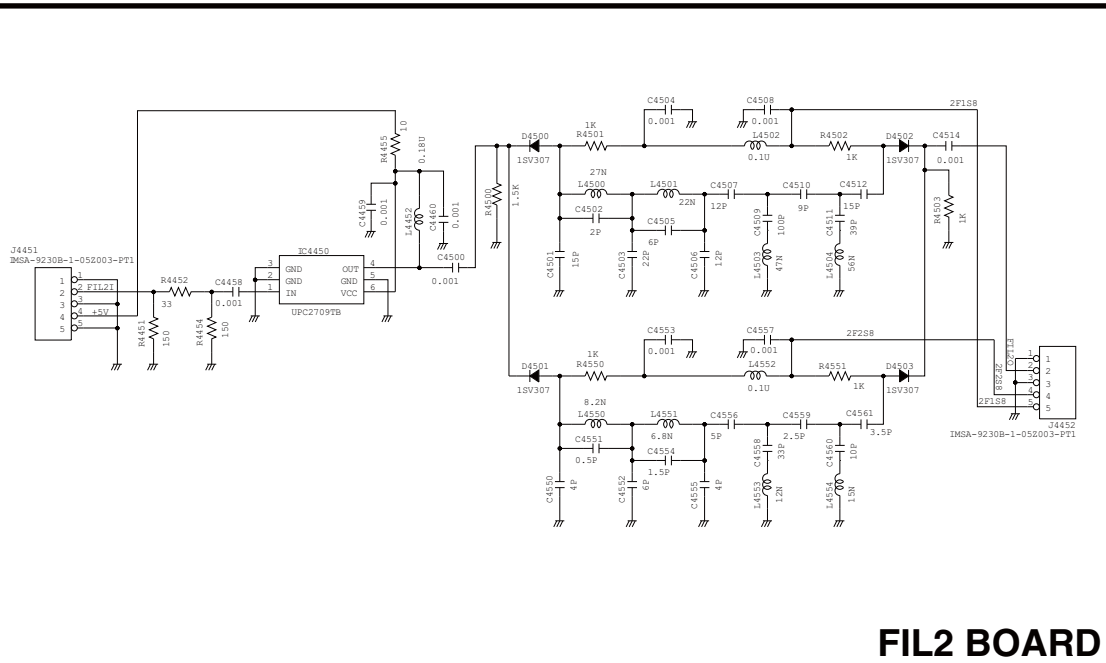
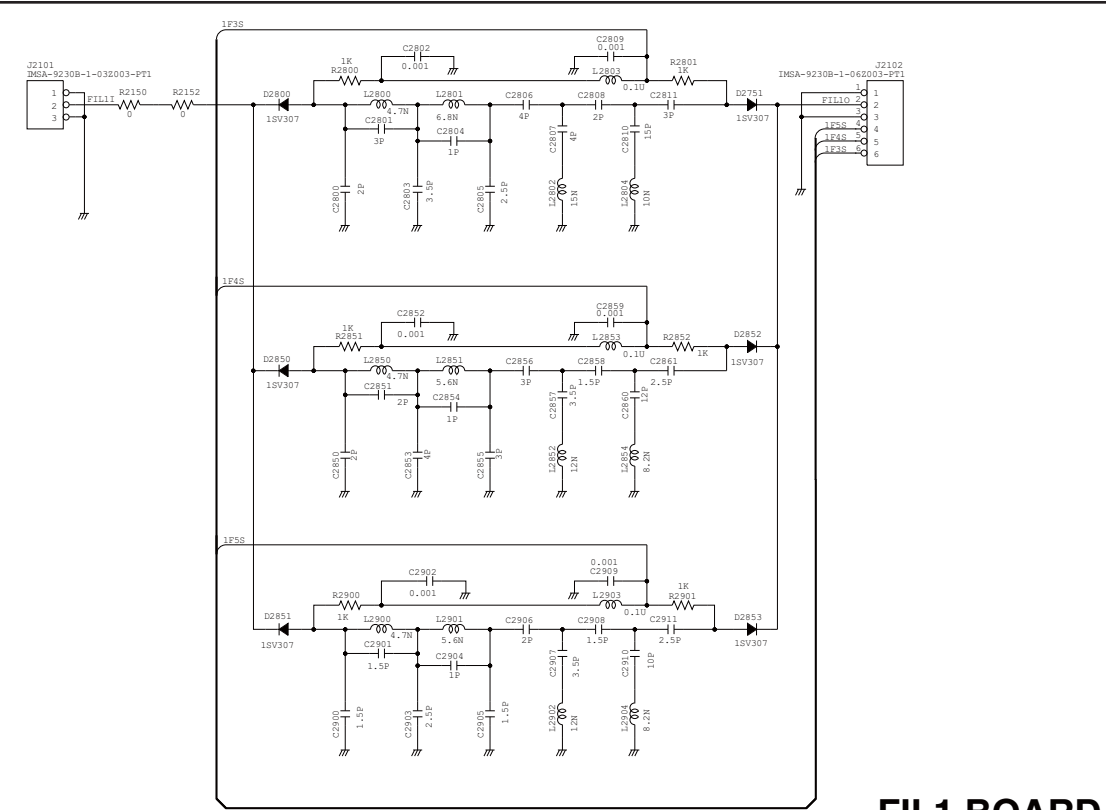
• PLL UNIT (3)



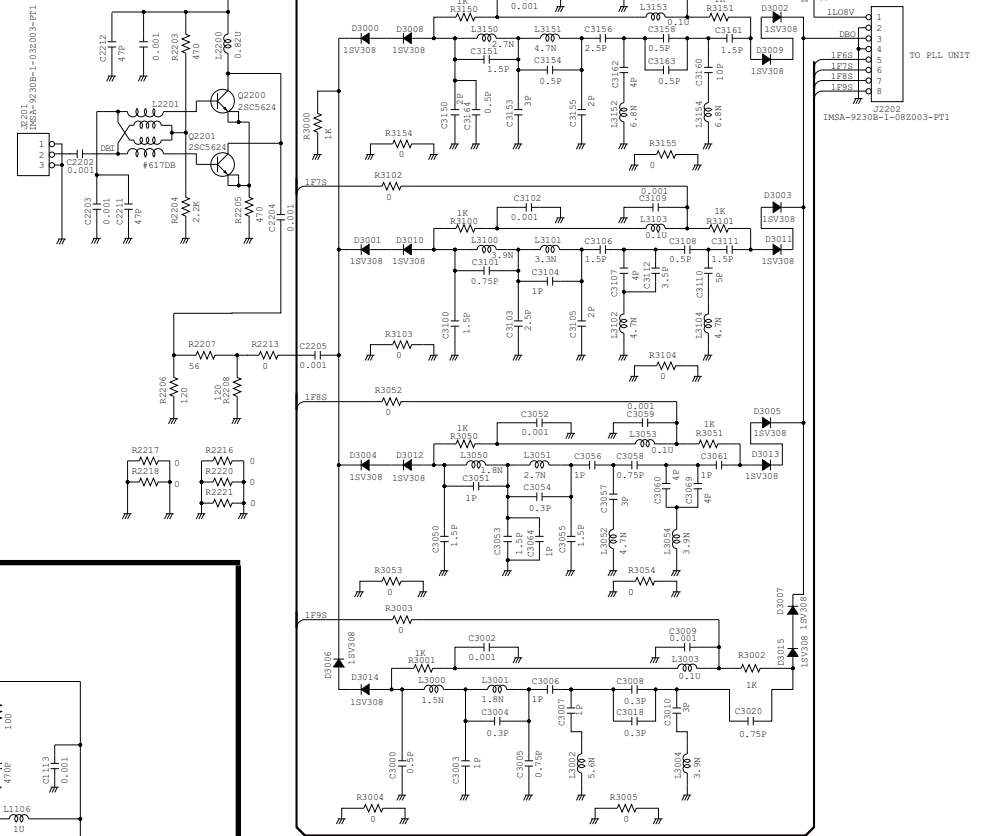
• PLL UNIT (4)



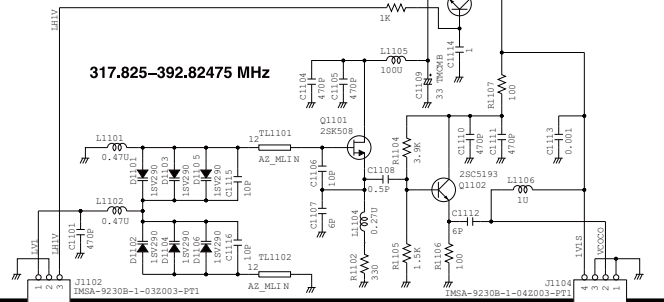
• PLL UNIT (5)



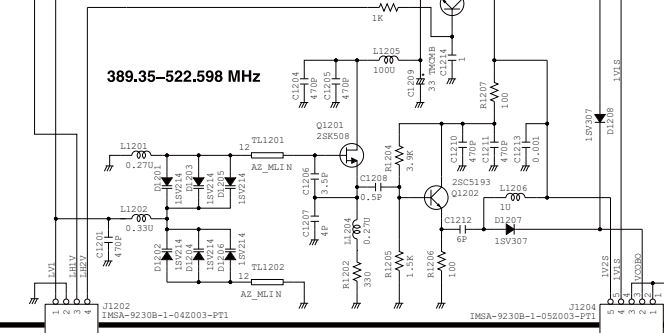
DOUBLER BOARD



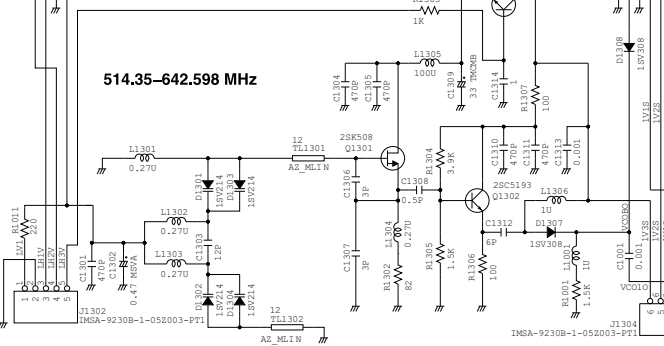
VCO-C BOARD



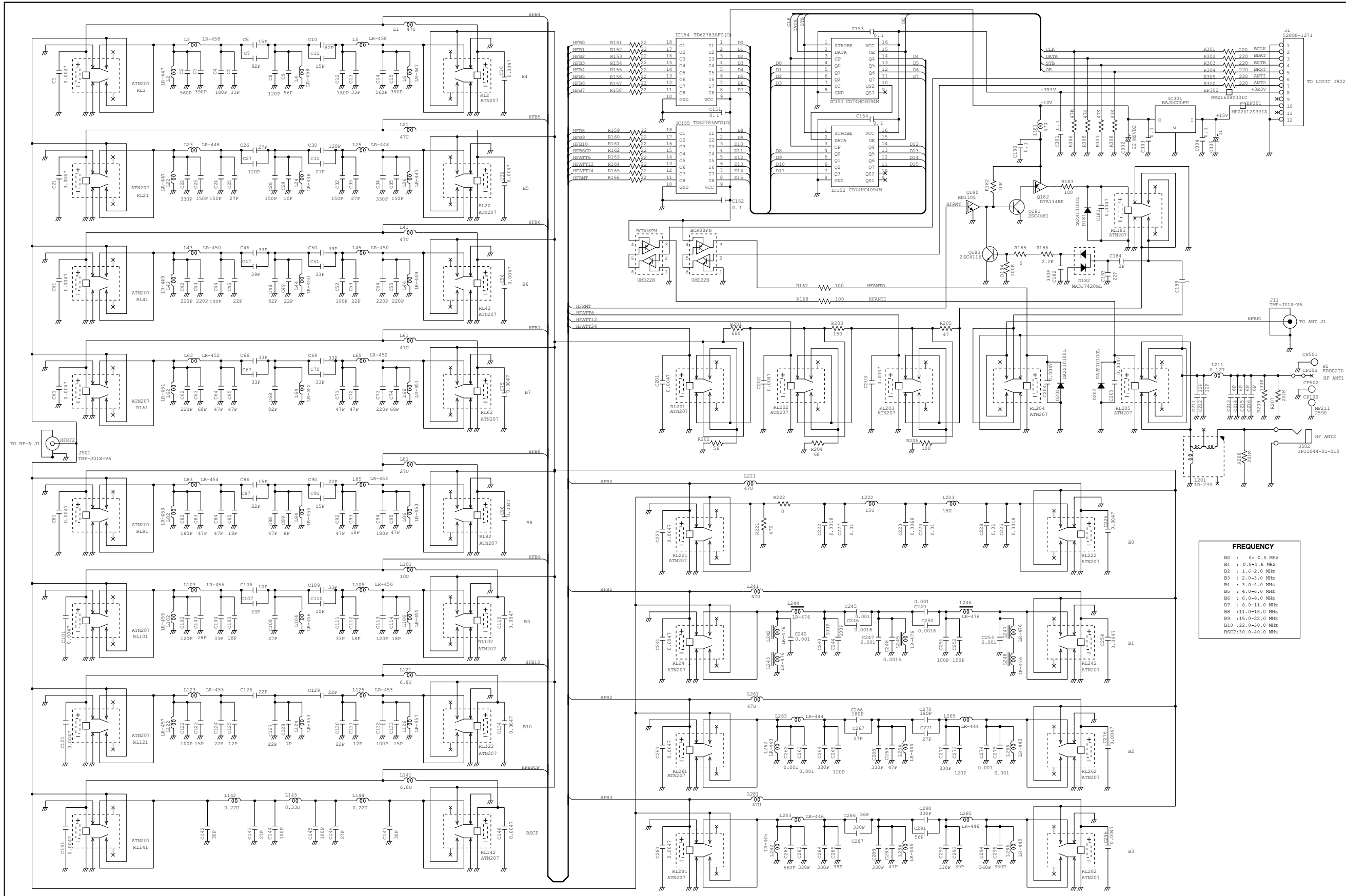
VCO-B BOARD



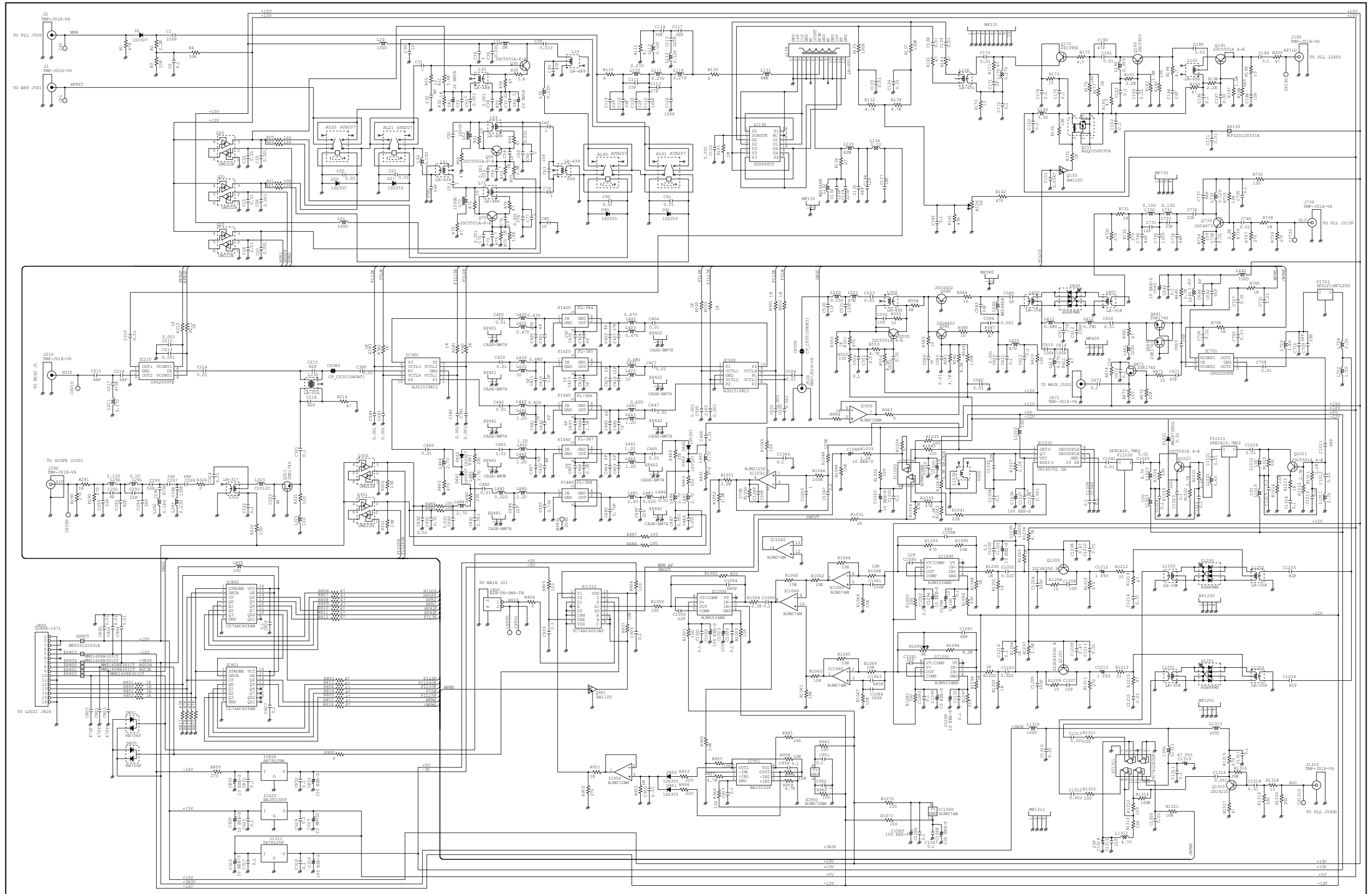
VCO-A BOARD

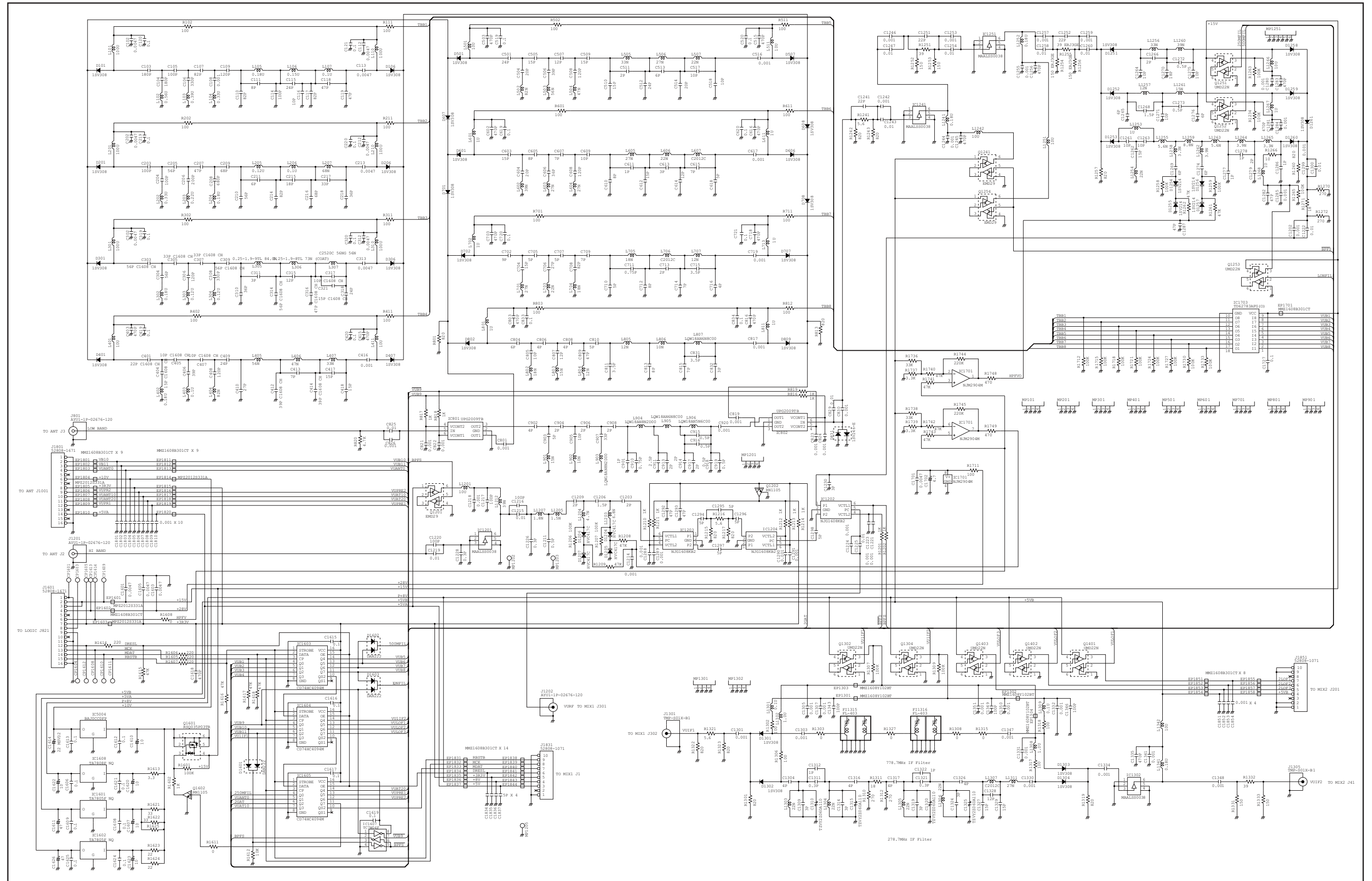


• BPF UNIT

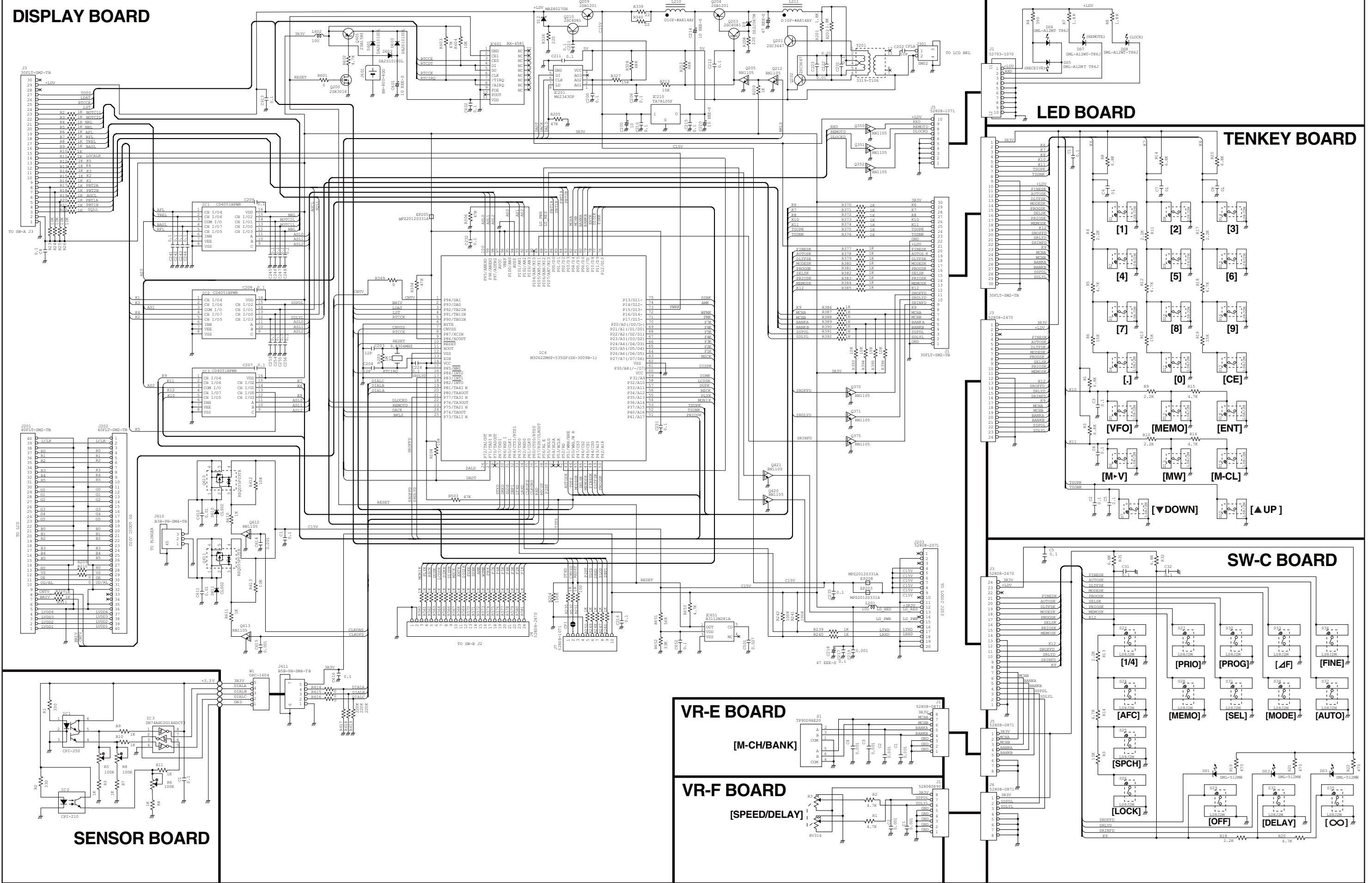


• RF-A UNIT





FRONT UNIT (1) DISPLAY BOARD



LED BOARD

TENKEY BOARD

SW-C BOARD

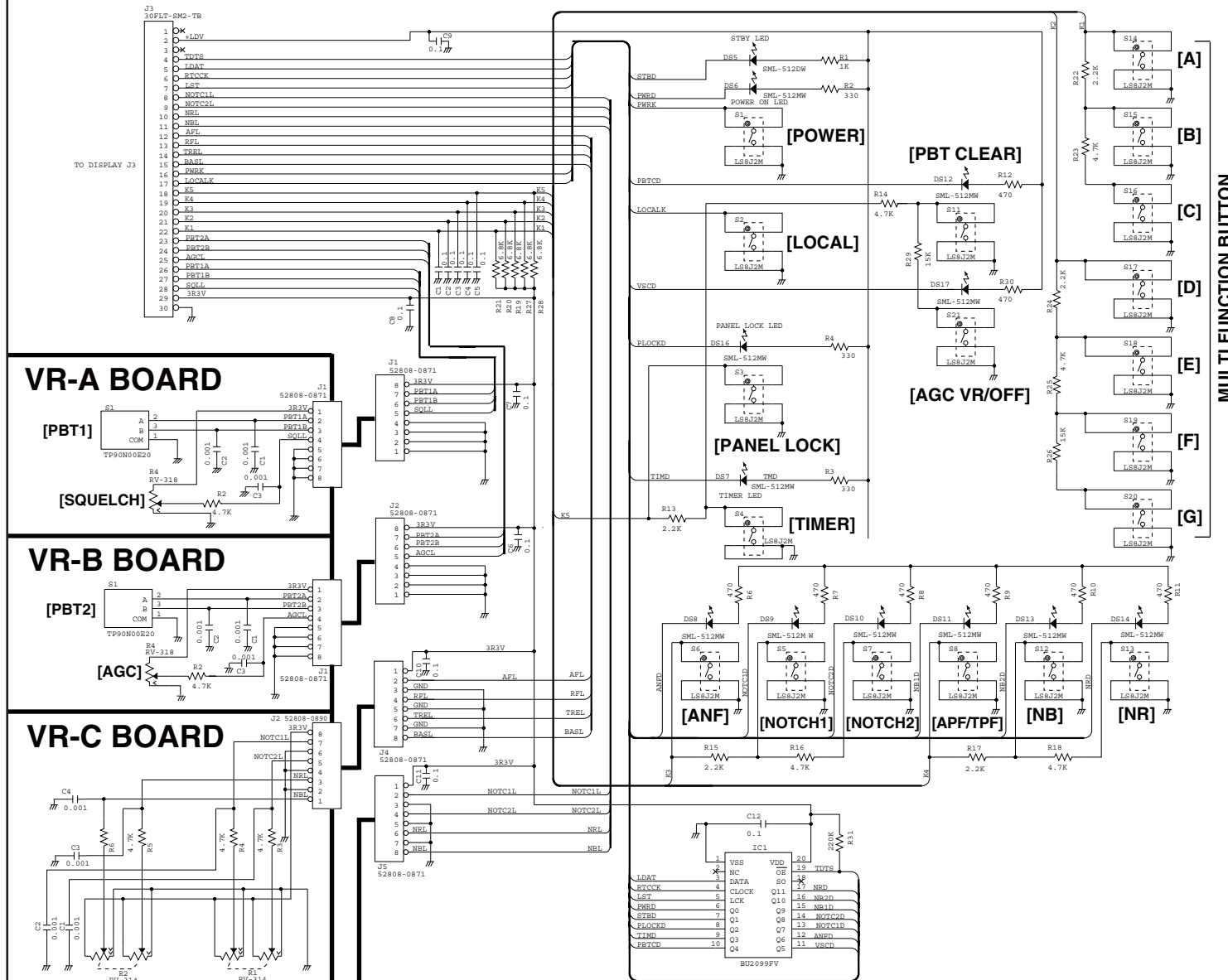
VR-E BOARD

VR-F BOARD

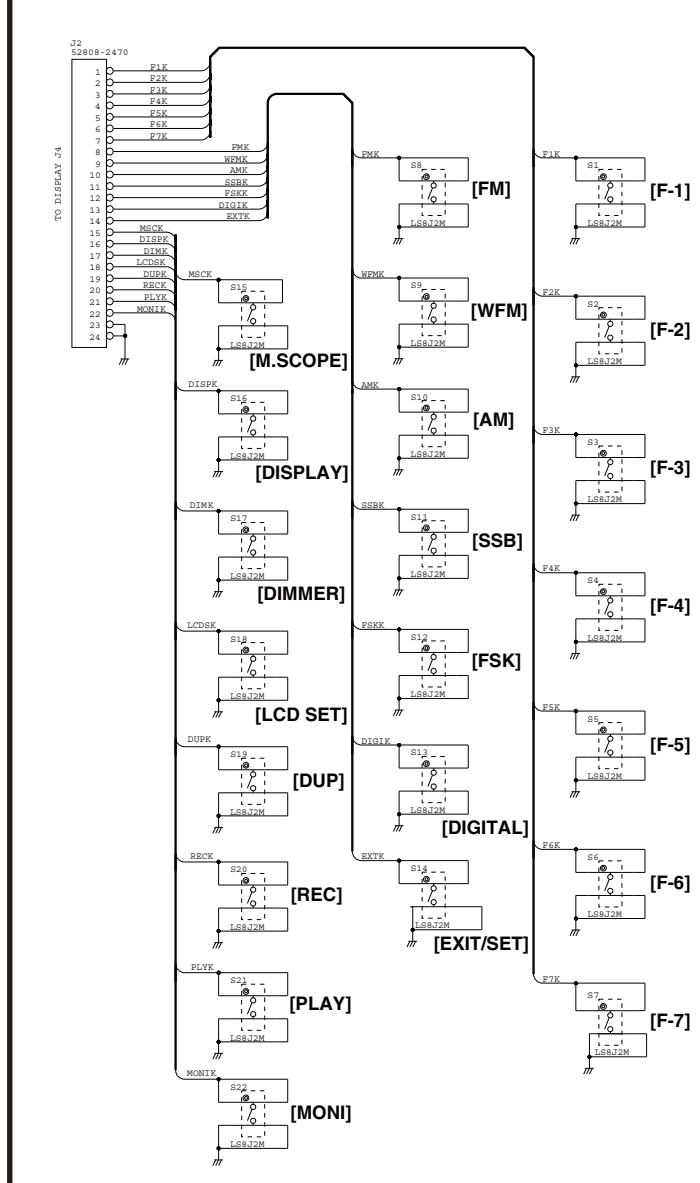
SENSOR BOARD

• FRONT UNIT (2)

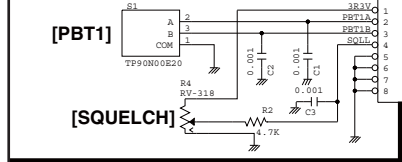
SW-A BOARD



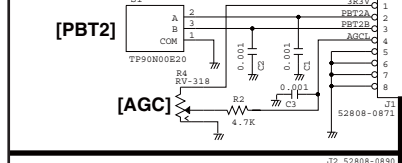
SW-B BOARD



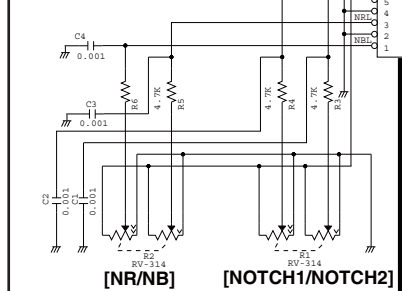
VR-A BOARD



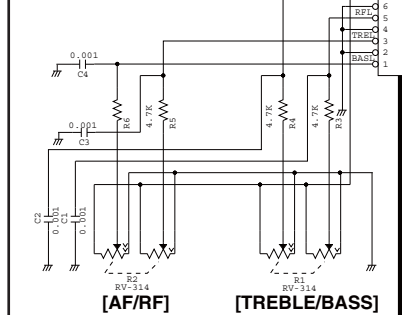
VR-B BOARD



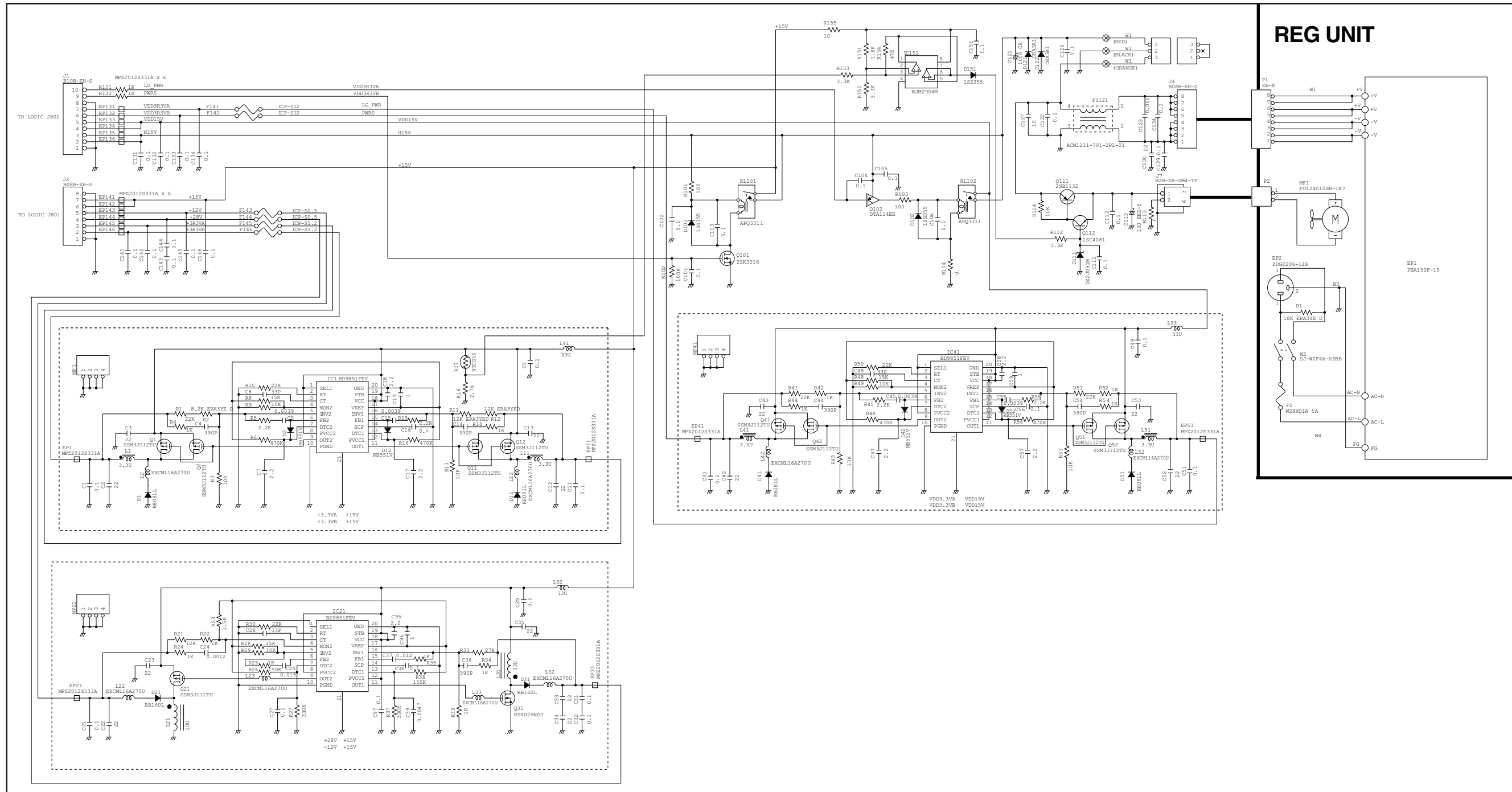
VR-C BOARD



VR-D BOARD



• DC-DC UNIT



May. 2009



SERVICE MANUAL ADDENDUM

IC-R9500

CONTENTS

PARTS LIST	1
BOARD LAYOUTS	53
SCHEMATIC DIAGRAMS	55

PARTS LIST

[FRONT UNIT]

REF NO.	ORDER NO.	DESCRIPTION	M.	H/V LOCATION
SP1	2510001390	SP 2844 SP BOX <FG>		
W1	8900016130	CBL OPC-1684 (P1,N8,L70) <TJM>		
W2	8900016130	CBL OPC-1684 (P1,N8,L70) <TJM>		
W3	8900016140	CBL OPC-1690 (P1,N24,L100) <TJM>		
W4	8900016150	CBL OPC-1679 (P0.5,N30,L80) <TJM>		
W5	8900007682	CBL OPC-741A-1 (P0.5,N40,L55) <TJM>		
W6	8900015490	CBL OPC-1450A (P1,N10,L53) <TJM>		
W7	8900009400	CBL OPC-926 (P=1 N=24 L=70) except [FRA], [AUS], [CHN]		
	8900017130	CBL OPC-926A (P1,N24,L70) <TJM> [FRA], [AUS], [CHN]		
W8	8900014750	CBL OPC-519A (P0.5,N30,L55) <TJM>		
W9	8900016130	CBL OPC-1684 (P1,N8,L70) <TJM>		
W10	8900016130	CBL OPC-1684 (P1,N8,L70) <TJM>		
W11	8900016130	CBL OPC-1684 (P1,N8,L70) <TJM>		
W12	8900016130	CBL OPC-1684 (P1,N8,L70) <TJM>		
EP1	6910015291	UBD LTA070B790F		
EP2	6910017310	E.OTH JSM5035-010100		

[DISPLAY UNIT]

REF NO.	ORDER NO.	DESCRIPTION	M.	H/V LOCATION
IC1	1130011880	S.IC CD4051BPWR	T	103.9/86.1
IC2	1130011880	S.IC CD4051BPWR	T	121/86.1
IC3	1130011880	S.IC CD4051BPWR	T	30.1/77.6
IC6	1140011820	S.IC M30622M6P-535GP(SX-3009B-1)	T	48.1/27.7
IC201	1110006400	S.IC M62343GP D65J	T	68.4/58.2
IC210	1180000421	S.IC TA78L05F (TE12RF)	T	104/63.6
IC601	1130011551	S.IC RX-4581NB-F	T	39/45.9
IC651	1110005821	S.IC R3112N281A-TR-F	T	50.2/68.9
Q200	1560001260	S.FET 2SK3018 T106	T	91.1/47.1
Q201	1530003301	S.TR 2SC3647S-TD-E	T	91.1/26.5
Q202	1530003301	S.TR 2SC3647S-TD-E	T	74.6/63.3
Q203	1530002060	S.TR 2SC4081 T106 R	T	79.6/66.7
Q205	1590003520	S.TR BCR108T [USA], [FRA], [AUS], [CHA] only	T	73/58
Q209	1520000651	S.TR 2SB1201S-TL-E	T	114.6/59.9
Q210	1530002060	S.TR 2SC4081 T106 R	T	108.4/54.9
Q212	1590003520	S.TR BCR108T	T	73/55.8
Q350	1590003520	S.TR BCR108T	T	29.5/85.8
Q351	1590003520	S.TR BCR108T	T	28/83
Q352	1590003520	S.TR BCR108T	T	26.5/85.8
Q370	1590003940	S.TR RN1105 (TE85LF)	T	6.2/80.7
Q371	1590003520	S.TR BCR108T	T	11.8/74
Q375	1590003520	S.TR BCR108T	T	6.2/78.7
Q420	1590003520	S.TR BCR108T	T	40.5/85.3
Q421	1590003520	S.TR BCR108T	T	40.5/82.7
Q601	1510000771	S.TR 2SA1586-GR (TE85LF) [USA], [FRA], [CHA] only	T	20.6/60.7
Q610	1550000090	S.FET RSQ035P03TR	T	20.8/54
Q611	1550000090	S.FET RSQ035P03TR	T	74.7/61.2
Q612	1590003520	S.TR BCR108T	T	26.2/60.9
Q613	1590003520	S.TR BCR108T	T	27.7/54.6
D9	1730002340	S.ZEN MAZ8047GM (TX)	T	110.2/57.1
D12	1730002510	S.ZEN MAZ8027GH(TX)	T	57.6/75.5
D601	1790001250	S.DIO MA2S1110G-(TX)	T	56.4/69.7
D602	1790001250	S.DIO MA2S1110G-(TX)	T	56.4/73.5
D603	1790001250	S.DIO MA2S1110G-(TX)	T	13.9/59
D610	1750001350	S.DIO CLS02 (TE16LQ)	T	13.9/59
D611	1750001350	S.DIO CLS02 (TE16LQ) [USA], [FRA], [CHA] only	T	49.7/44.5
X1	6050009870	S.XTL CR-567 (9.8304 MHz)	T	43.9/84.4
L201	6200001831	S.COL NLV32T-100J	T	86.6/79.7
L210	6190001191	S.COL D10F-#A814AY-101K	T	81.2/38.2
L211	6190001191	S.COL D10F-#A814AY-101K	T	59.5/72.4
L602	6200001831	S.COL NLV32T-100J	T	123/57
R2	7030003440	S.RES ERJ3GEYJ 102 V (1 k)	T	127.3/60
R3	7030003440	S.RES ERJ3GEYJ 102 V (1 k)	T	123/58.2
R4	7030003440	S.RES ERJ3GEYJ 102 V (1 k)	T	127.3/61.2
R5	7030003440	S.RES ERJ3GEYJ 102 V (1 k)	T	123/59.4
R6	7030003440	S.RES ERJ3GEYJ 102 V (1 k)	T	127.3/62.4
R7	7030003440	S.RES ERJ3GEYJ 102 V (1 k)	T	123/60
R8	7030003440	S.RES ERJ3GEYJ 102 V (1 k)	T	127.3/63.6
R9	7030003440	S.RES ERJ3GEYJ 102 V (1 k)	T	123/61
R10	7030003440	S.RES ERJ3GEYJ 102 V (1 k)	T	127.3/64.8
R11	7030003440	S.RES ERJ3GEYJ 102 V (1 k)	T	123/63
R12	7030003440	S.RES ERJ3GEYJ 102 V (1 k)	T	127.3/66
R13	7030003440	S.RES ERJ3GEYJ 102 V (1 k)	T	123/64.2
R14	7030003440	S.RES ERJ3GEYJ 102 V (1 k)	T	127.3/67.2
R15	7030003440	S.RES ERJ3GEYJ 102 V (1 k)	T	123/65.4
R16	7030003440	S.RES ERJ3GEYJ 102 V (1 k)	T	127.3/68.4
R17	7030003440	S.RES ERJ3GEYJ 102 V (1 k)	T	123/66.6

[DISPLAY UNIT]

REF NO.	ORDER NO.	DESCRIPTION	M.	H/V LOCATION
R18	7030003440	S.RES ERJ3GEYJ 102 V (1 k)	T	127.3/70.8
R19	7030003440	S.RES ERJ3GEYJ 102 V (1 k)	T	123/69
R20	7030003440	S.RES ERJ3GEYJ 102 V (1 k)	T	127.3/72
R21	7030003440	S.RES ERJ3GEYJ 102 V (1 k)	T	123/71.4
R22	7030003440	S.RES ERJ3GEYJ 102 V (1 k)	T	127.3/69.6
R23	7030003560	S.RES ERJ3GEYJ 103 V (10 k)	T	123/67.8
R24	7030003560	S.RES ERJ3GEYJ 103 V (10 k)	T	123/70
R25	7030003560	S.RES ERJ3GEYJ 103 V (10 k)	T	127.3/73.2
R26	7030003560	S.RES ERJ3GEYJ 103 V (10 k)	T	72.9/53.4
R200	7030003440	S.RES ERJ3GEYJ 102 V (1 k)	T	96.6/43.6
R201	7030003470	S.RES ERJ3GEYJ 182 V (1.8 k)	T	96.6/32.9
R202	7030003470	S.RES ERJ3GEYJ 182 V (1.8 k)	T	49.7/41.2
R203	7030003800	S.RES ERJ3GEYJ 105 V (1 M)	T	38.1/33.2
R204	7030003560	S.RES ERJ3GEYJ 103 V (10 k)	T	70.7/54.1
R205	7030003640	S.RES ERJ3GEYJ 473 V (47 k)	T	74.5/59.6
R208	7030003360	S.RES ERJ3GEYJ 221 V (220)	T	12.9/24.7
R209	7030003860	S.RES ERJ3GE JPW V	T	12.9/23.4
R210	7030003860	S.RES ERJ3GE JPW V	T	68.7/63.8
R212	7030003660	S.RES ERJ3GEYJ 683 V (68 k)	T	71/63
R213	7030003580	S.RES ERJ3GEYJ 153 V (15 k)	T	50.3/13
R235	7030003440	S.RES ERJ3GEYJ 102 V (1 k)	T	37/85.4
R239	7030003440	S.RES ERJ3GEYJ 102 V (1 k)	T	35.8/85.4
R240	7030003440	S.RES ERJ3GEYJ 102 V (1 k)	T	38.2/85.4
R241	7030003680	S.RES ERJ3GEYJ 104 V (100 k)	T	34.6/85.4
R242	7030003680	S.RES ERJ3GEYJ 104 V (100 k)	T	59.5/13.3
R246	7030003440	S.RES ERJ3GEYJ 102 V (1 k)	T	58.2/13.3
R247	7030003440	S.RES ERJ3GEYJ 102 V (1 k)	T	56.9/13.3
R248	7030003440	S.RES ERJ3GEYJ 102 V (1 k)	T	55.6/13.3
R249	7030003440	S.RES ERJ3GEYJ 102 V (1 k)	T	54.3/13.3
R250	7030003440	S.RES ERJ3GEYJ 102 V (1 k)	T	52.7/13
R251	7030003320	S.RES ERJ3GEYJ 101 V (100)	T	48.4/13.3
R254	7030003680	S.RES ERJ3GEYJ 104 V (100 k)	T	58.5/40
R304	7030003640	S.RES ERJ3GEYJ 473 V (47 k)	T	58.8/29
R306	7030003640	S.RES ERJ3GEYJ 473 V (47 k)	T	24.9/42.4
R310	7030003440	S.RES ERJ3GEYJ 102 V (1 k)	T	24.9/43.6
R311	7030003440	S.RES ERJ3GEYJ 102 V (1 k)	T	110.3/54
R326	7030003360	S.RES ERJ3GEYJ 221 V (220)	T	106.5/54
R327	7030003580	S.RES ERJ3GEYJ 153 V (15 k)	T	104.6/55.2
R339	7070000261	RES ERG2SJ 220 (22)		
R340	7070000261	RES ERG2SJ 220 (22)		
R369	7030003860	S.RES ERJ3GE JPW V	T	19.2/86.8
R370	7030003440	S.RES ERJ3GEYJ 102 V (1 k)	T	14.6/91.4
R371	7030003440	S.RES ERJ3GEYJ 102 V (1 k)	T	19.4/85.6
R372	7030003440	S.RES ERJ3GEYJ 102 V (1 k)	T	14.6/90.2
R373	7030003440	S.RES ERJ3GEYJ 102 V (1 k)	T	19.4/84.4
R374	7030003440	S.RES ERJ3GEYJ 102 V (1 k)	T	14.6/89
R375	7030003440	S.RES ERJ3GEYJ 102 V (1 k)	T	19.4/83.2
R376	7030003440	S.RES ERJ3GEYJ 102 V (1 k)	T	14.6/87.8
R377	7030003440	S.RES ERJ3GEYJ 102 V (1 k)	T	19.4/82
R378	7030003440	S.RES ERJ3GEYJ 102 V (1 k)	T	14.6/86.6
R379	7030003440	S.RES ERJ3GEYJ 102 V (1 k)	T	19.4/80.8
R380	7030003440	S.RES ERJ3GEYJ 102 V (1 k)	T	14.6/85.4
R381	7030003440	S.RES ERJ3GEYJ 102 V (1 k)	T	19.4/79.6
R382	7030003440	S.RES ERJ3GEYJ 102 V (1 k)	T	14.6/84.2
R383	7030003440	S.RES ERJ3GEYJ 102 V (1 k)	T	19.4/78.4
R384	7030003440	S.RES ERJ3GEYJ 102 V (1 k)	T	14.6/83
R385	7030003440	S.RES ERJ3GEYJ 102 V (1 k)	T	14.6/81.8
R386	7030003440	S.RES ERJ3GEYJ 102 V (1 k)	T	19.3/77.2
R387	7030003440	S.RES ERJ3GEYJ 102 V (1 k)	T	14.6/80.3
R388	7030003440	S.RES ERJ3GEYJ 102 V (1 k)	T	19.6/73.5
R389	7030003440	S.RES ERJ3GEYJ 102 V (1 k)	T	14.6/76.7
R390	7030003440	S.RES ERJ3GEYJ 102 V (1 k)	T	22.3/73
R391	7030003440	S.RES ERJ3GEYJ 102 V (1 k)	T	14.6/75
R392	7030003440	S.RES ERJ3GEYJ 102 V (1 k)	T	14.6/77
R393	7030003560	S.RES ERJ3GEYJ 103 V (10 k)	T	19.3/74.8
R394	7030003560	S.RES ERJ3GEYJ 103 V (10 k)	T	14.6/79.1
R395	7030003560	S.RES ERJ3GEYJ 103 V (10 k)	T	19.3/76
R396	7030003560	S.RES ERJ3GEYJ 103 V (10 k)	T	36.1/32.5
R503	7030003640	S.RES ERJ3GEYJ 473 V (47 k)	T	51.5/13
R532	7030003440	S.RES ERJ3GEYJ 102 V (1 k)	T	18.2/13.9
R560	7030003440	S.RES ERJ3GEYJ 102 V (1 k)	T	19.4/13.9
R561	7030003440	S.RES ERJ3GEYJ 102 V (1 k)	T	20.6/13.9
R562	7030003440	S.RES ERJ3GEYJ 102 V (1 k)	T	21.8/13
R563	7030003440	S.RES ERJ3GEYJ 102 V (1 k)	T	23/13.9
R564	7030003440	S.RES ERJ3GEYJ 102 V (1 k)	T	24.2/13.9
R565	7030003440	S.RES ERJ3GEYJ 102 V (1 k)	T	25.4/13.9
R566	7030003440	S.RES ERJ3GEYJ 102 V (1 k)	T	26.6/13.9
R567	7030003440	S.RES ERJ3GEYJ 102 V (1 k)	T	27.8/13.9
R568	7030003440	S.RES ERJ3GEYJ 102 V (1 k)	T	29/13.9
R569	7030003440	S.RES ERJ3GEYJ 102 V (1 k)	T	30.2/13.9
R570	7030003440	S.RES ERJ3GEYJ 102 V (1 k)	T	31.4/13.9
R571	7030003440	S.RES ERJ3GEYJ 102 V (1 k)	T	32.6/13.9
R572	7030003440	S.RES ERJ3GEYJ 102 V (1 k)	T	33.8/13.9
R573	7030003440	S.RES ERJ3GEYJ 102 V (1 k)	T	35/13.9
R574	7030003440	S.RES ERJ3GEYJ 102 V (1 k)	T	36.2/13.9
R575	7030003440	S.RES ERJ3GEYJ 102 V (1 k)	T	37.4/13.9
R576	7030003440	S.RES ERJ3GEYJ 102 V (1 k)	T	38.6/13.9
R577	7030003440	S.RES ERJ3GEYJ 102 V (1 k)	T	39.8/13.9
R578	7030003440	S.RES ERJ3GEYJ 102 V (1 k)	T	41/13.9
R579	7030003440	S.RES ERJ3GEYJ 102 V (1 k)	T	42.2/13.9
R580	7030003440	S.RES ERJ3GEYJ 102 V (1 k)	T	43.4/13.9
R581	7030003440	S.RES ERJ3GEYJ 102 V (1 k)	T	53.5/

[DISPLAY UNIT]

REF NO.	ORDER NO.	DESCRIPTION	M.	H/V LOCATION
R612	7030003560	S.RES ERJ3GEYJ 103 V (10 k)	T	23.2/55.7
R613	7030003560	S.RES ERJ3GEYJ 103 V (10 k)	T	9.3/71.1
R614	7030003860	S.RES ERJ3GE JPW V	T	9.3/69.9
R615	7030003860	S.RES ERJ3GE JPW V	T	9.3/67.5
R616	7030003860	S.RES ERJ3GE JPW V	T	9.6/73
R617	7030003720	S.RES ERJ3GEYJ 224 V (220 k)	T	9.3/68.7
R618	7030003720	S.RES ERJ3GEYJ 224 V (220 k)	T	9.3/66.3
R619	7030003720	S.RES ERJ3GEYJ 224 V (220 k)	T	50.6/73.7
R651	7030003650	S.RES ERJ3GEYJ 563 V (56 k)	T	50.6/72.5
R652	7030003620	S.RES ERJ3GEYJ 333 V (33 k)	T	53.5/66.6
R653	7030003520	S.RES ERJ3GEYJ 472 V (4.7 k)	T	25.7/57.5
C1	4030011600	S.CER C1608 JB 1E 104K-T	T	131.3/74.7
C8	4030011600	S.CER C1608 JB 1E 104K-T	T	108.2/58.5
C200	4030011600	S.CER C1608 JB 1E 104K-T	T	93.6/36.5
C201	4340000360	S.MLR ECWU1H104JC9	T	125.1/37.2
C202	4030019160	S.CER C4520 CH 3F 100FT	T	50.5/39.9
C203	4030007020	S.CER C1608 CH 1H 120J-T	T	47.9/40
C204	4030007020	S.CER C1608 CH 1H 120J-T	T	109/64
C205	4550007370	S.TAN F931V225MBA BMA	T	71/60
C206	4030011600	S.CER C1608 JB 1E 104K-T	T	32.5/81.1
C207	4030011600	S.CER C1608 JB 1E 104K-T	T	120.8/89.6
C208	4030011600	S.CER C1608 JB 1E 104K-T	T	104.2/89.6
C209	4030011600	S.CER C1608 JB 1E 104K-T	T	100.3/64.6
C210	4030011600	S.CER C1608 JB 1E 104K-T	T	65.8/60.4
C211	4030011600	S.CER C1608 JB 1E 104K-T	T	69/66.9
C212	4030011600	S.CER C1608 JB 1E 104K-T	T	77.8/52
C213	4510009150	S.ELE EEE1EA470WP	T	72.5/68.7
C214	4510008800	S.ELE EEE1EA100SR	T	101.7/55.2
C215	4030011600	S.CER C1608 JB 1E 104K-T	T	62.3/11.2
C216	4030011600	S.CER C1608 JB 1E 104K-T	T	38.9/79.7
C217	4030011600	S.CER C1608 JB 1E 104K-T	T	44.3/77.9
C218	4510009150	S.ELE EEE1EA470WP	T	40.1/79.7
C219	4030006860	S.CER C1608 JB 1H 102K-T	T	103.9/59.3
C220	4550007510	S.TAN F931C106MBA BMA	T	104.6/54
C221	4030011600	S.CER C1608 JB 1E 104K-T	T	90.7/36.6
C222	4340000330	S.MLR ECHU1H103J	T	88.6/36.6
C223	4340000330	S.MLR ECHU1H103J	T	48.1/38.2
C224	4030011600	S.CER C1608 JB 1E 104K-T	T	47.6/17.4
C231	4030011600	S.CER C1608 JB 1E 104K-T	T	58/31.2
C232	4030011600	S.CER C1608 JB 1E 104K-T	T	50.3/81.1
C235	4030011600	S.CER C1608 JB 1E 104K-T	T	105.5/75.5
C241	4030011600	S.CER C1608 JB 1E 104K-T	T	106.7/75.5
C242	4030011600	S.CER C1608 JB 1E 104K-T	T	104.3/75.5
C243	4030011600	S.CER C1608 JB 1E 104K-T	T	103.1/75.5
C244	4030011600	S.CER C1608 JB 1E 104K-T	T	110.1/87.8
C245	4030011600	S.CER C1608 JB 1E 104K-T	T	110.1/86.6
C246	4030011600	S.CER C1608 JB 1E 104K-T	T	110.1/85.4
C247	4030011600	S.CER C1608 JB 1E 104K-T	T	110.1/84.2
C248	4030011600	S.CER C1608 JB 1E 104K-T	T	127.1/84.6
C253	4030011600	S.CER C1608 JB 1E 104K-T	T	127.1/85.8
C254	4030011600	S.CER C1608 JB 1E 104K-T	T	127.1/87
C255	4030011600	S.CER C1608 JB 1E 104K-T	T	127.1/88.2
C256	4030011600	S.CER C1608 JB 1E 104K-T	T	50.7/66.5
C501	4030008890	S.CER C1608 JB 1H 273K-T	T	53.7/77.3
C601	4510008800	S.ELE EEE1EA100SR	T	39.2/41.8
C602	4030011600	S.CER C1608 JB 1E 104K-T	T	8.5/58
C610	4030006900	S.CER C1608 JB 1H 103K-T	T	8.5/54.9
C611	4030006900	S.CER C1608 JB 1H 103K-T	T	133.2/55.8
C613	4030011600	S.CER C1608 JB 1E 104K-T	T	28.8/61.2
C614	4030006860	S.CER C1608 JB 1H 102K-T	T	30.2/54.2
C615	4030006860	S.CER C1608 JB 1H 102K-T	T	8.4/74.1
C616	4030011600	S.CER C1608 JB 1E 104K-T	T	50.6/71.3
C652	4030011600	S.CER C1608 JB 1E 104K-T	T	10.7/86.3
J1	6510021721	S.CNR 30FLT-SM2-TB (LF) (SN)	T	131.5/65.2
J3	6510021721	S.CNR 30FLT-SM2-TB (LF) (SN)	T	30.8/8.8
J4	6510021561	S.CNR 52808-2470 (2490)	T	25/90.1
J5	6510019971	S.CNR 52808-1071	T	55.4/8.8
J7	6510019971	S.CNR 52808-1071	T	6.2/28.7
J201	6510022471	S.CNR 40FLT-SM2-TB (LF) (SN)	T	11.8/48.5
J202	6510022471	S.CNR 40FLT-SM2-TB (LF) (SN)	T	44/90.1
J203	6510020081	S.CNR 52808-2071 (2090)	T	131.7/38.9
J601	6510021861	CNR BH-800.4GG <LTC>	T	2.5/56.7
J610	6510022191	S.CNR B3B-PH-SM4-TB (LF) (SN)	T	2.5/70.9
T201	5910001050	TSM 3319-T106-LF		
BT601	3020000110	LTM CR2032		
EP203	6910014730	S.BEA MPZ2012S331A-T	T	49.3/84.4
EP205	6910014730	S.BEA MPZ2012S331A-T	T	60.8/34.8
EP208	6910014730	S.BEA MPZ2012S331A-T	T	47.5/84.4

[LOGIC UNIT]

REF NO.	ORDER NO.	DESCRIPTION	M.	H/V LOCATION
IC1	1140011551	S.IC MT48LC16M16A2P-75	B	74/106.9
IC2	1140011551	S.IC MT48LC16M16A2P-75	T	74/114
IC51	1130011591	S.IC IDT70V24L15PFG	B	110.2/71
IC52	1140009781	S.IC XC9572XL-10TQG100C	B	131.2/71
IC53	1110005821	S.IC R3112N281A-TR-F	T	160.2/52
IC54	1130007431	S.IC TC7S14FU (TE85R,F)	T	164.5/51.8
IC55	1130008041	S.IC TC7SH04FU (TE85L,JF)	T	112.6/49.4
IC101	1130011010	S.IC SN74CBTLV3257PWR <ACE>	T	39.9/90.3
IC102	1130006441	S.IC TC7S08F (TE85R,F)	T	76.7/54
IC103	1140011561	S.IC HD641751RBP200V	T	68.2/79.9
IC104	1130008361	S.IC TC7SHU04FU (TE85L,JF)	T	24.1/75.9
IC105	1130013700	S.IC CY2292FXC (RX-2844H)	T	27.3/84
IC106	1130011110	S.IC TC74VCX04FT (EL)	T	24.7/93.6
IC201	1130014630	S.IC MT48LC16M16A2P-75 IT:D	B	142.7/92.3
IC201	1140011551	S.IC MT48LC16M16A2P-75	B	142.7/92.3
IC202	1140011551	S.IC MT48LC16M16A2P-75	B	142.8/110.5
IC203	1140011571	S.IC HD64404BTDV	T	112.1/93.4
IC204	1140011581	S.IC ADV7123KSTZ50	B	116.7/134.5
IC205	1130011941	S.IC TC7S204F (TE85L,F)	T	111.2/139.8
IC206	1130012150	S.IC SN74ACT04PWR	B	165.5/94.4
IC207	1130005721	S.IC TC7W04F (TE12L,F)	B	15/67
IC208	1130011951	S.IC PD16875G-E1-A	B	8.2/67
IC209	1190001920	S.IC AK5355-VT-E2	B	86.7/126.2
IC211	1190001910	S.IC AK4384-VT-E2	B	86.7/133.2
IC212	1130013830	S.IC TC7SA34FU (TE85L,F)	B	106.9/122.1
IC401	1130010970	S.IC PCI1410APGE	B	38.2/63.5
IC402	1130011960	S.IC TPS2211AIDBR	B	36.5/46.2
IC403	1130009570	S.IC BR93LC46F-WE2	T	38.9/81.8
IC404	1130010990	S.IC RTL8139C <MI>	B	37.7/91.5
IC405	1130013830	S.IC TC7SA34FU (TE85L,F)	T	39.1/56.7
IC601	1130012781	S.IC SN74AHC2G04HDCT3	B	53.6/36.6
IC604	1140011590	S.IC HD64F2377VFQ33V (EMPTY)	B	101.7/45.5
IC605	1140009781	S.IC XC9572XL-10TQG100C	B	155.7/72
IC607	1130006441	S.IC TC7S08F (TE85R,F)	B	74.3/37.6
IC608	1130006441	S.IC TC7S08F (TE85R,F)	B	78/37.6
IC609	1130005252	S.IC TC74HC08AF (EL,F)	B	74.7/44.8
IC610	1130012830	S.IC HN58X24512FPIEZ (SOP8)	B	64.7/50
IC801	1180001251	S.IC TA7805F (TE16L,Q)	B	176.5/150.4
IC802	1180001071	S.IC TA7805F (TE16L,Q)	B	190.5/138
IC803	1180001071	S.IC TA7805F (TE16L,Q)	B	23.8/5.2
IC804	1180002020	S.REG BA033FP-E2	B	182.1/38.2
IC805	1180002601	S.REG TA48015F (TE16L,NQ)	B	15.7/15
IC806	1180001071	S.IC TA7805F (TE16L,Q)	B	50.8/147.3
IC855	1190002140	S.IC SAA7115HLV1	T	136.3/136.1
IC856	1190002150	S.IC SAA7105HV1	B	140.5/35.3
IC923	1130012000	S.IC M62352AGF C60Q	T	17/132.9
IC1001	1110003870	S.IC NJM2058M-TE1-#ZZZB	B	29.3/127.5
IC1031	1110005080	S.IC NJM2246M-TE1-#ZZZB	T	164.3/131.3
Q601	1530002060	S.TR 2SC4081 T106 R	B	48.2/37.8
Q602	1510000510	S.TR 2SA1576A T106R	B	48.2/33.7
Q1031	1530002060	S.TR 2SC4081 T106 R	T	171.5/137.1
Q1032	1590003530	S.TR BCR08PN except [USA], [FRA], [AUS], [CHN] UMD22N TR [USA], [FRA], [AUS], [CHN]	T	37.3/24.4
D201	1790000980	S.DIO MA3J7420GL (TX)	B	116.7/144.5
D202	1790000980	S.DIO MA3J7420GL (TX)	B	116.7/147.7
D203	1790000980	S.DIO MA3J7420GL (TX)	B	116.6/150.6
D204	1790000980	S.DIO MA3J7420GL (TX)	B	174.6/102.5
D205	1790000980	S.DIO MA3J7420GL (TX)	B	174.6/99.7
D206	1790000980	S.DIO MA3J7420GL (TX)	B	27.3/36.4
D207	1790000980	S.DIO MA3J7420GL (TX)	B	27.3/33.9
D601	1750000550	S.DIO 1SS355 TE-17	B	45.8/37
D653	1750000550	S.DIO 1SS355 TE-17 [EUR], [UK], [AUS] only	T	159.9/82.2
D654	1750000550	S.DIO 1SS355 TE-17 [EUR], [UK], [AUS] only	T	158.1/82.2
D655	1750000550	S.DIO 1SS355 TE-17 [EUR], [UK], [AUS] only	T	154.5/82.2
D656	1750000550	S.DIO 1SS355 TE-17	T	150.9/82.2
D657	1750000550	S.DIO 1SS355 TE-17	T	150.9/82.2
D658	1750000550	S.DIO 1SS355 TE-17 [EUR], [UK], [AUS] only	T	152.7/82.2
D663	1750000550	S.DIO 1SS355 TE-17 [EUR], [UK], [AUS] only	B	181.2/104.8
D665	1750000550	S.DIO 1SS355 TE-17 [EUR], [UK], [AUS] only	B	181.2/99.6
X101	6050011610	S.XTL CR-751 (25.000 MHz)	T	17.6/78.1
X201	6050010680	S.XTL CR-628 (24.576 MHz)	T	119.6/109.6
X202	6050011910	S.XTL CR-780 (48 MHz)	T	115.2/76.7
X601	6050011810	S.XTL CR-755 (15.9744 MHz)	T	96.6/28.6
L101	6200004940	S.COL MLF1608D R27K-T	T	19.8/92.2
L102	6200004940	S.COL MLF1608D R27K-T	T	22.1/97
L103	6200004940	S.COL MLF1608D R27K-T	T	29.6/94
L203	6200002631	S.COL NLV25T-R10J	B	120.2/145.8
L204	6200002631	S.COL NLV25T-R10J	B	120.2/152.2
L205	6200002631	S.COL NLV25T-R10J	B	113/150
L380	6200004961	S.COL NLV25T-R33J	T	109.5/120.8
L381	6200004961	S.COL NLV25T-R33J	T	106.6/123
L382	6200004961	S.COL NLV25T-R33J	B	103.8/118.3
L383	6200004961	S.COL NLV25T-R33J	B	100.4/118.3
L561	6200003091	S.COL NLV32T-2R7J	B	157.6/34
L562	6200003091	S.COL NLV32T-2R7J	B	157.7/39.8
L826	6180003321	S.COL SLF6028T-150M1R0-PF	T	178.8/77.5
L901	6200003241	S.COL NLV32T-221J	B	5/104.7
L962	6200002041	S.COL NLV25T-101J	T	29.1/11.3

M.=Mounted side (T: Mounted on the Top side B: Mounted on the Bottom side)
S.=Surface mount

[LOGIC UNIT]

REF NO.	ORDER NO.	DESCRIPTION	M.	H/V LOCATION
L1053	6910000670	COL BL01RN1A1D2B (BL01RN1-A62) [EUR], [UK], [AUS] only		
R1	7030003520	S.RES ERJ3GEYJ 472 V (4.7 k)	T	106.3/116.3
R2	7030003560	S.RES ERJ3GEYJ 103 V (10 k)	T	107.6/116.3
R51	7030003520	S.RES ERJ3GEYJ 472 V (4.7 k)	T	164.1/102.4
R52	7030003560	S.RES ERJ3GEYJ 103 V (10 k)	T	156.6/51.8
R59	7030003260	S.RES ERJ3GEYJ 330 V (33)	T	136.2/73.4
R101	7030003680	S.RES ERJ3GEYJ 104 V (100 k)	T	34.9/0.2
R102	7030003520	S.RES ERJ3GEYJ 472 V (4.7 k)	T	45.7/88.7
R103	7030003520	S.RES ERJ3GEYJ 472 V (4.7 k)	T	45.7/90.7
R104	7030003520	S.RES ERJ3GEYJ 472 V (4.7 k)	T	34.5/88.3
R105	7030003520	S.RES ERJ3GEYJ 472 V (4.7 k)	T	34.9/1.5
R106	7030003560	S.RES ERJ3GEYJ 103 V (10 k)	B	69.3/75.1
R107	7030003560	S.RES ERJ3GEYJ 103 V (10 k)	B	64.1/75.1
R108	7030003560	S.RES ERJ3GEYJ 103 V (10 k)	B	63.1/64.5
R109	7030003560	S.RES ERJ3GEYJ 103 V (10 k)	B	66.7/73.8
R110	7030003560	S.RES ERJ3GEYJ 103 V (10 k)	T	69.6/64.3
R111	7030003560	S.RES ERJ3GEYJ 103 V (10 k)	B	69.3/73.8
R112	7030003560	S.RES ERJ3GEYJ 103 V (10 k)	T	68.3/64.3
R113	7030003560	S.RES ERJ3GEYJ 103 V (10 k)	B	64.1/73.8
R114	7030003560	S.RES ERJ3GEYJ 103 V (10 k)	B	60.5/64.5
R115	7030003560	S.RES ERJ3GEYJ 103 V (10 k)	B	64.1/77.7
R116	7030003560	S.RES ERJ3GEYJ 103 V (10 k)	B	64.1/76.4
R117	7030003260	S.RES ERJ3GEYJ 330 V (33)	B	57.9/64.5
R118	7030003560	S.RES ERJ3GEYJ 103 V (10 k)	B	64.1/79.7
R119	7030003560	S.RES ERJ3GEYJ 103 V (10 k)	B	55.9/65
R120	7030003560	S.RES ERJ3GEYJ 103 V (10 k)	B	64.1/80.3
R121	7030003560	S.RES ERJ3GEYJ 103 V (10 k)	B	57.9/61.9
R122	7030003560	S.RES ERJ3GEYJ 103 V (10 k)	B	54/71
R123	7030003560	S.RES ERJ3GEYJ 103 V (10 k)	B	57.9/60.6
R124	7030003680	S.RES ERJ3GEYJ 104 V (100 k)	T	65.7/64.3
R125	7030003520	S.RES ERJ3GEYJ 472 V (4.7 k)	T	67/64.3
R126	7030003560	S.RES ERJ3GEYJ 103 V (10 k)	B	66.7/76.4
R127	7030003560	S.RES ERJ3GEYJ 103 V (10 k)	B	66.7/75.1
R128	7030003560	S.RES ERJ3GEYJ 103 V (10 k)	T	68.3/60.7
R129	7030003560	S.RES ERJ3GEYJ 103 V (10 k)	T	69.6/61.7
R130	7030003560	S.RES ERJ3GEYJ 103 V (10 k)	B	71.1/65.5
R131	7030003560	S.RES ERJ3GEYJ 103 V (10 k)	B	69.3/76.4
R132	7030003560	S.RES ERJ3GEYJ 103 V (10 k)	T	70.9/64.3
R133	7030003560	S.RES ERJ3GEYJ 103 V (10 k)	T	70.9/61.7
R134	7030003200	S.RES ERJ3GEYJ 100 V (10)	B	71.9/73.8
R135	7030003200	S.RES ERJ3GEYJ 100 V (10)	B	71.9/75.1
R136	7030003200	S.RES ERJ3GEYJ 100 V (10)	B	84.8/65.5
R137	7030004050	S.RES ERJ3GEYJ 1R0 V (1)	B	64.1/83
R138	7030003560	S.RES ERJ3GEYJ 103 V (10 k)	B	64.1/84.3
R139	7030003560	S.RES ERJ3GEYJ 103 V (10 k)	B	64.4/93
R140	7410000990	S.ARY EXB-V8V 470JV (47)	T	61.7/97.7
R141	7410000990	S.ARY EXB-V8V 470JV (47)	T	58/97.7
R142	7410000990	S.ARY EXB-V8V 470JV (47)	T	69.1/97.7
R143	7410000990	S.ARY EXB-V8V 470JV (47)	T	76.5/97.7
R144	7410000990	S.ARY EXB-V8V 470JV (47)	T	65.4/97.7
R145	7410000990	S.ARY EXB-V8V 470JV (47)	T	72.8/97.7
R146	7030003280	S.RES ERJ3GEYJ 470 V (47)	T	84.7/96.7
R147	7030003280	S.RES ERJ3GEYJ 470 V (47)	T	84.7/95.4
R148	7410000990	S.ARY EXB-V8V 470JV (47)	T	80.2/97.7
R149	7410000990	S.ARY EXB-V8V 470JV (47)	T	84.7/69.9
R150	7410000990	S.ARY EXB-V8V 470JV (47)	T	84.7/73.6
R151	7410000990	S.ARY EXB-V8V 470JV (47)	T	84.7/77.3
R152	7410000990	S.ARY EXB-V8V 470JV (47)	T	84.7/81
R153	7030003200	S.RES ERJ3GEYJ 100 V (10)	T	84.7/98
R154	7410000990	S.ARY EXB-V8V 470JV (47)	T	84.7/84.7
R155	7410000990	S.ARY EXB-V8V 470JV (47)	T	84.7/88.4
R156	7410000990	S.ARY EXB-V8V 470JV (47)	T	84.7/92.9
R157	7410000800	S.ARY EXB-V8V 103JV (10 k)	T	92.1/53.7
R158	7030003560	S.RES ERJ3GEYJ 103 V (10 k)	T	91.4/49.8
R159	7030003560	S.RES ERJ3GEYJ 103 V (10 k)	T	79/56.3
R161	7030003250	S.RES ERJ3GEYJ 270 V (27)	T	23.8/79.6
R162	7030003800	S.RES ERJ3GEYJ 105 V (1 M)	T	20.9/76.7
R163	7030003320	S.RES ERJ3GEYJ 101 V (100)	T	27.2/90.2
R164	7030003250	S.RES ERJ3GEYJ 270 V (27)	B	25.5/83.3
R165	7030003340	S.RES ERJ3GEYJ 151 V (150)	T	21.5/73.5
R168	7030003430	S.RES ERJ3GEYJ 821 V (820)	T	33.2/81.3
R169	7030003330	S.RES ERJ3GEYJ 121 V (120)	T	34/84.2
R170	7030003600	S.RES ERJ3GEYJ 223 V (22 k)	B	53.9/55.3
R171	7030003600	S.RES ERJ3GEYJ 223 V (22 k)	B	50/90.2
R172	7030003600	S.RES ERJ3GEYJ 223 V (22 k)	B	50/91.5
R173	7030003600	S.RES ERJ3GEYJ 223 V (22 k)	B	53.3/92.3
R174	7030003600	S.RES ERJ3GEYJ 223 V (22 k)	B	53.3/93.7
R175	7030003600	S.RES ERJ3GEYJ 223 V (22 k)	B	53.3/95
R176	7030003600	S.RES ERJ3GEYJ 223 V (22 k)	B	50/88.9
R201	7030003720	S.RES ERJ3GEYJ 224 V (220 k)	T	128.2/109.9
R202	7030003720	S.RES ERJ3GEYJ 224 V (220 k)	T	129.5/109.9
R203	7030003720	S.RES ERJ3GEYJ 224 V (220 k)	T	130.8/109.9
R204	7030003720	S.RES ERJ3GEYJ 224 V (220 k)	T	132.1/109.9
R205	7030003720	S.RES ERJ3GEYJ 224 V (220 k)	T	133.4/109.9
R206	7030003720	S.RES ERJ3GEYJ 224 V (220 k)	T	134.7/109.9
R207	7030003720	S.RES ERJ3GEYJ 224 V (220 k)	T	136.1/109.9
R208	7030003720	S.RES ERJ3GEYJ 224 V (220 k)	T	137.3/109.9
R209	7030003720	S.RES ERJ3GEYJ 224 V (220 k)	T	129.2/100.6
R212	7030003640	S.RES ERJ3GEYJ 473 V (47 k)	T	98.4/97.8
R213	7030003640	S.RES ERJ3GEYJ 473 V (47 k)	T	98.4/99.1
R218	7030003520	S.RES ERJ3GEYJ 472 V (4.7 k)	T	134.2/67.2
R219	7030003520	S.RES ERJ3GEYJ 472 V (4.7 k)	T	99.2/94.4
R220	7030003520	S.RES ERJ3GEYJ 472 V (4.7 k)	B	108.8/89.4
R221	7030003560	S.RES ERJ3GEYJ 103 V (10 k)	T	98.4/88.7
R225	7030003560	S.RES ERJ3GEYJ 103 V (10 k)	B	108.8/94.6
R226	7030003560	S.RES ERJ3GEYJ 103 V (10 k)	B	108.8/95.9
R227	7030003560	S.RES ERJ3GEYJ 103 V (10 k)	T	106.7/113.2
R228	7030003560	S.RES ERJ3GEYJ 103 V (10 k)	T	106.7/110.2
R229	7030003560	S.RES ERJ3GEYJ 103 V (10 k)	T	106.2/107.2
R230	7030003560	S.RES ERJ3GEYJ 103 V (10 k)	T	108/110.2
R231	7030003560	S.RES ERJ3GEYJ 103 V (10 k)	T	107.6/107.2

[LOGIC UNIT]

REF NO.	ORDER NO.	DESCRIPTION	M.	H/V LOCATION
R232	7030003560	S.RES ERJ3GEYJ 103 V (10 k)	B	108.1/98.2
R233	7030003560	S.RES ERJ3GEYJ 103 V (10 k)	T	108/113.2
R234	7030003560	S.RES ERJ3GEYJ 103 V (10 k)	T	108.9/107.2
R235	7030003560	S.RES ERJ3GEYJ 103 V (10 k)	T	109.3/110.2
R236	7030003560	S.RES ERJ3GEYJ 103 V (10 k)	T	109.3/113.2
R237	7030003560	S.RES ERJ3GEYJ 103 V (10 k)	B	109.4/98.2
R238	7030003560	S.RES ERJ3GEYJ 103 V (10 k)	T	110.2/107.2
R239	7030003560	S.RES ERJ3GEYJ 103 V (10 k)	T	110.6/110.2
R240	7030003560	S.RES ERJ3GEYJ 103 V (10 k)	T	110.6/113.2
R241	7030003560	S.RES ERJ3GEYJ 103 V (10 k)	B	111.7/104.4
R242	7030003560	S.RES ERJ3GEYJ 103 V (10 k)	T	111.6/107.2
R243	7030003560	S.RES ERJ3GEYJ 103 V (10 k)	B	110.7/98.2
R244	7030003560	S.RES ERJ3GEYJ 103 V (10 k)	T	111.3/79.7
R245	7030003560	S.RES ERJ3GEYJ 103 V (10 k)	T	104.8/79.7
R246	7030003560	S.RES ERJ3GEYJ 103 V (10 k)	T	103.5/76.6
R247	7030003560	S.RES ERJ3GEYJ 103 V (10 k)	B	111.4/89.4
R248	7030003560	S.RES ERJ3GEYJ 103 V (10 k)	T	106.1/79.7
R249	7030003560	S.RES ERJ3GEYJ 103 V (10 k)	T	100.9/79.7
R250	7030003560	S.RES ERJ3GEYJ 103 V (10 k)	T	102.2/79.7
R251	7030003560	S.RES ERJ3GEYJ 103 V (10 k)	T	104.8/76.6
R252	7030003560	S.RES ERJ3GEYJ 103 V (10 k)	T	102.2/76.6
R253	7030003560	S.RES ERJ3GEYJ 103 V (10 k)	T	98.4/90
R254	7030003560	S.RES ERJ3GEYJ 103 V (10 k)	T	103.5/79.7
R255	7030003560	S.RES ERJ3GEYJ 103 V (10 k)	T	100.9/76.6
R256	7030003560	S.RES ERJ3GEYJ 103 V (10 k)	B	111.4/92
R257	7030003560	S.RES ERJ3GEYJ 103 V (10 k)	T	107.4/79.7
R258	7030003560	S.RES ERJ3GEYJ 103 V (10 k)	B	111.4/93.3
R259	7030003560	S.RES ERJ3GEYJ 103 V (10 k)	T	107.4/76.6
R260	7030003560	S.RES ERJ3GEYJ 103 V (10 k)	B	111.4/94.6
R261	7030003560	S.RES ERJ3GEYJ 103 V (10 k)	T	108.7/76.6
R262	7030003560	S.RES ERJ3GEYJ 103 V (10 k)	B	111.4/95.9
R263	7030003560	S.RES ERJ3GEYJ 103 V (10 k)	B	108.7/81.6
R264	7030003560	S.RES ERJ3GEYJ 103 V (10 k)	B	112.7/87.6
R265	7030003560	S.RES ERJ3GEYJ 103 V (10 k)	T	107.4/74
R266	7030003560	S.RES ERJ3GEYJ 103 V (10 k)	T	108.7/74
R267	7030003560	S.RES ERJ3GEYJ 103 V (10 k)	T	110/79.7
R268	7030003560	S.RES ERJ3GEYJ 103 V (10 k)	B	106.1/81.6
R269	7030003560	S.RES ERJ3GEYJ 103 V (10 k)	T	108.7/79.7
R270	7030003560	S.RES ERJ3GEYJ 103 V (10 k)	T	106.1/76.6
R271	7030003560	S.RES ERJ3GEYJ 103 V (10 k)	T	106.1/74
R272	7030003560	S.RES ERJ3GEYJ 103 V (10 k)	B	129.4/86.1
R273	7030003560	S.RES ERJ3GEYJ 103 V (10 k)	T	128.7/83.2
R274	7030003560	S.RES ERJ3GEYJ 103 V (10 k)	B	114.6/94.7
R275	7030003560	S.RES ERJ3GEYJ 103 V (10 k)	T	125.7/84.5
R276	7030003560	S.RES ERJ3GEYJ 103 V (10 k)	T	121.5/79.8
R277	7030003560	S.RES ERJ3GEYJ 103 V (10 k)	T	128.7/81.6
R278	7030003560	S.RES ERJ3GEYJ 103 V (10 k)	T	128.7/80.6
R279	7030003560	S.RES ERJ3GEYJ 103 V (10 k)	B	114.6/96
R280	7030003560	S.RES ERJ3GEYJ 103 V (10 k)	T	128.7/84.5
R281	7030003560	S.RES ERJ3GEYJ 103 V (10 k)	B	115.3/90.2
R282	7030003560	S.RES ERJ3GEYJ 103 V (10 k)	B	114/90.2
R283	7030003560	S.RES ERJ3GEYJ 103 V (10 k)	B	119.2/80.8
R284	7030003560	S.RES ERJ3GEYJ 103 V (10 k)	B	120.5/80.8
R285	7030003560	S.RES ERJ3GEYJ 103 V (10 k)	B	114.6/93.4
R286	7030003560	S.RES ERJ3GEYJ 103 V (10 k)	T	128.7/79.3
R287	7030003560	S.RES ERJ3GEYJ 103 V (10 k)	T	118.9/79.8
R288	7030003560	S.RES ERJ3GEYJ 103 V (10 k)	T	123.4/78.4
R289	7030003560	S.RES ERJ3GEYJ 103 V (10 k)	T	117.6/79.8
R290	7030003560	S.RES ERJ3GEYJ 103 V (10 k)	B	114.6/92
R291	7030003560			

[LOGIC UNIT]

REF NO.	ORDER NO.	DESCRIPTION	M.	H/V LOCATION
R353	7030003860	S.RES ERJ3GE JPW V	B	185.9/82.2
R355	7030003860	S.RES ERJ3GE JPW V	B	185.9/83.5
R356	7030003860	S.RES ERJ3GE JPW V	B	173.7/82.4
R361	7030003320	S.RES ERJ3GEYJ 101 V (100)	T	108.8/139
R371	7030003560	S.RES ERJ3GEYJ 103 V (10 k)	T	112/113.2
R372	7030003560	S.RES ERJ3GEYJ 103 V (10 k)	B	116.1/105.8
R373	7030003560	S.RES ERJ3GEYJ 103 V (10 k)	B	119.2/105.9
R374	7030003560	S.RES ERJ3GEYJ 103 V (10 k)	T	112.9/107.2
R375	7030003560	S.RES ERJ3GEYJ 103 V (10 k)	T	112/110.2
R376	7030003560	S.RES ERJ3GEYJ 103 V (10 k)	B	111.7/105.7
R377	7030003560	S.RES ERJ3GEYJ 103 V (10 k)	T	110.1/74
R378	7030003560	S.RES ERJ3GEYJ 103 V (10 k)	T	123.4/79.8
R381	7030003240	S.RES ERJ3GEYJ 220 V (22)	T	107.6/120.5
R382	7030003240	S.RES ERJ3GEYJ 220 V (22)	T	106.3/120.5
R383	7030003280	S.RES ERJ3GEYJ 470 V (47)	B	101.4/120.2
R385	7030003280	S.RES ERJ3GEYJ 470 V (47)	B	117.9/105.9
R386	7030003280	S.RES ERJ3GEYJ 470 V (47)	B	104.2/120.9
R387	7030003280	S.RES ERJ3GEYJ 470 V (47)	B	101.4/121.5
R388	7030003280	S.RES ERJ3GEYJ 470 V (47)	B	101.4/123.2
R389	7030003280	S.RES ERJ3GEYJ 470 V (47)	B	104.2/122.6
R390	7030003280	S.RES ERJ3GEYJ 470 V (47)	B	123.7/82.2
R391	7030003280	S.RES ERJ3GEYJ 470 V (47)	B	121.8/80.8
R392	7030003280	S.RES ERJ3GEYJ 470 V (47)	B	124.1/83.5
R393	7030003280	S.RES ERJ3GEYJ 470 V (47)	B	113.9/105.1
R394	7030003240	S.RES ERJ3GEYJ 220 V (22)	B	105.6/124.9
R401	7030003320	S.RES ERJ3GEYJ 101 V (100)	B	54.6/59.9
R403	7030003560	S.RES ERJ3GEYJ 103 V (10 k)	B	31.2/50.6
R404	7030003560	S.RES ERJ3GEYJ 103 V (10 k)	B	37.5/50.6
R405	7030003560	S.RES ERJ3GEYJ 103 V (10 k)	B	24.5/56.5
R406	7030003560	S.RES ERJ3GEYJ 103 V (10 k)	T	38.2/62
R407	7030003560	S.RES ERJ3GEYJ 103 V (10 k)	T	35.6/62
R408	7030003560	S.RES ERJ3GEYJ 103 V (10 k)	T	42.8/66.8
R409	7030003560	S.RES ERJ3GEYJ 103 V (10 k)	T	37.6/72
R410	7030003560	S.RES ERJ3GEYJ 103 V (10 k)	T	35/72
R411	7030003560	S.RES ERJ3GEYJ 103 V (10 k)	T	38.9/72
R412	7030003560	S.RES ERJ3GEYJ 103 V (10 k)	T	40.2/72
R413	7030003560	S.RES ERJ3GEYJ 103 V (10 k)	T	41.5/72
R414	7030003560	S.RES ERJ3GEYJ 103 V (10 k)	T	36.3/72
R415	7030003560	S.RES ERJ3GEYJ 103 V (10 k)	B	40.3/41.2
R416	7030003560	S.RES ERJ3GEYJ 103 V (10 k)	B	39/41.2
R417	7030003560	S.RES ERJ3GEYJ 103 V (10 k)	B	37.7/41.2
R418	7030003320	S.RES ERJ3GEYJ 101 V (100)	B	50.8/97.5
R419	7030003440	S.RES ERJ3GEYJ 102 V (1 k)	B	26.2/99.4
R420	7030003580	S.RES ERJ3GEYJ 153 V (15 k)	B	24.7/98.1
R421	7030003470	S.RES ERJ3GEYJ 182 V (1.8 k)	B	27/91.4
R422	7030003250	S.RES ERJ3GEYJ 270 V (27)	B	26.2/89.2
R423	7030003560	S.RES ERJ3GEYJ 103 V (10 k)	B	29.3/105.2
R424	7030003560	S.RES ERJ3GEYJ 103 V (10 k)	B	26.2/100.7
R425	7030003380	S.RES ERJ3GEYJ 331 V (330)	T	43.3/104.6
R426	7030003380	S.RES ERJ3GEYJ 331 V (330)	T	43.3/103.3
R427	7030003380	S.RES ERJ3GEYJ 331 V (330)	T	43.3/102
R428	7030003320	S.RES ERJ3GEYJ 101 V (100)	T	22.4/108.5
R429	7030003320	S.RES ERJ3GEYJ 101 V (100)	T	23.7/108.5
R430	7030003320	S.RES ERJ3GEYJ 101 V (100)	T	25/108.5
R431	7030003320	S.RES ERJ3GEYJ 101 V (100)	T	26.3/108.5
R432	7030003320	S.RES ERJ3GEYJ 101 V (100)	T	33.4/122.5
R433	7030003320	S.RES ERJ3GEYJ 101 V (100)	T	32.1/122.5
R434	7030003320	S.RES ERJ3GEYJ 101 V (100)	T	30.1/122.5
R435	7030003320	S.RES ERJ3GEYJ 101 V (100)	T	28.8/122.5
R436	7030003340	S.RES ERJ3GEYJ 151 V (150)	T	29.5/108.5
R437	7030003340	S.RES ERJ3GEYJ 151 V (150)	T	30.8/108.5
R438	7030003340	S.RES ERJ3GEYJ 151 V (150)	T	24.4/125.8
R439	7030003340	S.RES ERJ3GEYJ 151 V (150)	T	24.4/124.5
R440	7030003340	S.RES ERJ3GEYJ 151 V (150)	T	24.3/122.5
R441	7030003340	S.RES ERJ3GEYJ 151 V (150)	T	23/122.5
R442	7030003340	S.RES ERJ3GEYJ 151 V (150)	T	21.7/122.5
R443	7030003340	S.RES ERJ3GEYJ 151 V (150)	T	20.4/122.5
R450	7030003860	S.RES ERJ3GE JPW V	T	49.8/52.3
R451	7030003860	S.RES ERJ3GE JPW V except [USA]	T	36/106.5
R501	7030003260	S.RES ERJ3GEYJ 330 V (33)	T	142.3/123.9
R502	7030003260	S.RES ERJ3GEYJ 330 V (33)	T	139.7/123.9
R503	7030003260	S.RES ERJ3GEYJ 330 V (33)	T	138.4/123.9
R504	7030003260	S.RES ERJ3GEYJ 330 V (33)	T	137.1/123.9
R505	7030003260	S.RES ERJ3GEYJ 330 V (33)	T	135.8/123.9
R506	7030003260	S.RES ERJ3GEYJ 330 V (33)	T	134.5/123.9
R507	7030003260	S.RES ERJ3GEYJ 330 V (33)	T	133.2/123.9
R508	7030003260	S.RES ERJ3GEYJ 330 V (33)	T	130.3/123.9
R509	7030003260	S.RES ERJ3GEYJ 330 V (33)	T	129/123.9
R510	7030003520	S.RES ERJ3GEYJ 472 V (4.7 k)	T	127.9/127.6
R511	7030003200	S.RES ERJ3GEYJ 100 V (10)	T	143.6/123.9
R512	7030003230	S.RES ERJ3GEYJ 180 V (18)	T	151/140.3
R513	7030003290	S.RES ERJ3GEYJ 560 V (56)	B	137.4/132.7
R514	7030003290	S.RES ERJ3GEYJ 560 V (56)	B	137.4/134
R515	7030003290	S.RES ERJ3GEYJ 560 V (56)	B	137.4/136.6
R516	7030003290	S.RES ERJ3GEYJ 560 V (56)	B	137.4/137.9
R517	7030003290	S.RES ERJ3GEYJ 560 V (56)	B	137.4/139.2
R518	7030003290	S.RES ERJ3GEYJ 560 V (56)	T	149/141.1
R519	7030003560	S.RES ERJ3GEYJ 103 V (10 k)	T	142.8/146.2
R520	7030003560	S.RES ERJ3GEYJ 103 V (10 k)	T	140/146.2
R521	7030003560	S.RES ERJ3GEYJ 103 V (10 k)	T	140/147.6
R522	7030003860	S.RES ERJ3GE JPW V	T	134.8/147
R523	7030003560	S.RES ERJ3GEYJ 103 V (10 k)	B	133.1/131.2
R524	7030003560	S.RES ERJ3GEYJ 103 V (10 k)	B	133.1/132.5
R525	7030003560	S.RES ERJ3GEYJ 103 V (10 k)	B	133.1/133.8
R526	7030003560	S.RES ERJ3GEYJ 103 V (10 k)	B	133.1/135.1
R527	7030003560	S.RES ERJ3GEYJ 103 V (10 k)	B	133.1/136.4
R528	7030003560	S.RES ERJ3GEYJ 103 V (10 k)	B	133.1/137.7
R529	7030003560	S.RES ERJ3GEYJ 103 V (10 k)	B	133.1/139
R530	7030003560	S.RES ERJ3GEYJ 103 V (10 k)	B	133.1/140.3
R550	7030003640	S.RES ERJ3GEYJ 473 V (47 k)	B	146.3/24.8
R551	7030003320	S.RES ERJ3GEYJ 101 V (100)	B	146.3/23.5
R552	7030003560	S.RES ERJ3GEYJ 103 V (10 k)	B	137.4/23.2
R553	7030003560	S.RES ERJ3GEYJ 103 V (10 k)	B	138.8/23.2
R554	7030003560	S.RES ERJ3GEYJ 103 V (10 k)	B	126.7/39.7

[LOGIC UNIT]

REF NO.	ORDER NO.	DESCRIPTION	M.	H/V LOCATION
R555	7030003560	S.RES ERJ3GEYJ 103 V (10 k)	B	126.7/41
R556	7030003560	S.RES ERJ3GEYJ 103 V (10 k)	B	126.7/34.9
R557	7030003260	S.RES ERJ3GEYJ 330 V (33)	B	136.5/47.9
R558	7030003560	S.RES ERJ3GEYJ 103 V (10 k)	B	134.2/47.9
R559	7030003560	S.RES ERJ3GEYJ 103 V (10 k)	B	143.3/47.9
R560	7030003440	S.RES ERJ3GEYJ 102 V (1 k)	B	152/26.6
R561	7030003210	S.RES ERJ3GEYJ 120 V (12)	B	152/28
R562	7030003340	S.RES ERJ3GEYJ 151 V (150)	B	156.9/29.6
R563	7030003340	S.RES ERJ3GEYJ 151 V (150)	B	155.3/29.6
R601	7030003590	S.RES ERJ3GEYJ 183 V (18 k)	B	45.7/34.6
R602	7030003590	S.RES ERJ3GEYJ 183 V (18 k)	B	50.2/37.1
R603	7030003560	S.RES ERJ3GEYJ 103 V (10 k)	B	48.2/35.7
R604	7030003640	S.RES ERJ3GEYJ 473 V (47 k)	B	50.2/34.3
R605	7030003680	S.RES ERJ3GEYJ 104 V (100 k)	B	57.6/36.8
R606	7030003680	S.RES ERJ3GEYJ 104 V (100 k)	B	58.9/36.8
R607	7030003350	S.RES ERJ3GEYJ 181 V (180)	B	102.4/29.2
R608	7030003520	S.RES ERJ3GEYJ 472 V (4.7 k)	B	104.9/31.8
R609	7030003440	S.RES ERJ3GEYJ 102 V (1 k)	T	95.6/34.7
R610	7030003440	S.RES ERJ3GEYJ 102 V (1 k)	T	95.6/37.9
R611	7030003340	S.RES ERJ3GEYJ 102 V (1 k)	T	95.6/39.3
R612	7030003440	S.RES ERJ3GEYJ 102 V (1 k)	T	95.6/42.5
R613	7030003860	S.RES ERJ3GE JPW V	T	95.6/45.1
R614	7030003440	S.RES ERJ3GEYJ 102 V (1 k)	B	88/41.7
R621	7030003800	S.RES ERJ3GEYJ 105 V (1 M)	T	99/42.5
R622	7030003200	S.RES ERJ3GEYJ 105 V (1 M)	T	99/39.9
R623	7030003800	S.RES ERJ3GEYJ 105 V (1 M)	T	99/37.3
R624	7030003800	S.RES ERJ3GEYJ 105 V (1 M)	T	99/34.7
R625	7030003800	S.RES ERJ3GEYJ 105 V (1 M)	B	85.4/41.7
R626	7030003640	S.RES ERJ3GEYJ 473 V (47 k)	B	88/43.1
R627	7030003640	S.RES ERJ3GEYJ 473 V (47 k)	B	81.9/51.4
R628	7030003640	S.RES ERJ3GEYJ 473 V (47 k)	B	81.9/50.1
R629	7030003640	S.RES ERJ3GEYJ 473 V (47 k)	B	85.9/49.9
R630	7030003520	S.RES ERJ3GEYJ 472 V (4.7 k)	B	83.3/47.5
R631	7030003520	S.RES ERJ3GEYJ 472 V (4.7 k)	T	82.1/42
R632	7030003520	S.RES ERJ3GEYJ 472 V (4.7 k)	T	82.1/45.9
R633	7030003520	S.RES ERJ3GEYJ 472 V (4.7 k)	T	82.1/43.3
R634	7030003520	S.RES ERJ3GEYJ 472 V (4.7 k)	B	81.9/48.8
R635	7030003520	S.RES ERJ3GEYJ 472 V (4.7 k)	T	82.1/44.6
R636	7030003640	S.RES ERJ3GEYJ 473 V (47 k)	B	71.9/35.7
R637	7030003640	S.RES ERJ3GEYJ 473 V (47 k)	B	78.4/34
R639	7030003640	S.RES ERJ3GEYJ 473 V (47 k)	T	113.8/34
R640	7030003640	S.RES ERJ3GEYJ 473 V (47 k)	T	112.5/34
R641	7030003640	S.RES ERJ3GEYJ 473 V (47 k)	T	111.2/34
R642	7030003640	S.RES ERJ3GEYJ 473 V (47 k)	T	109.9/34
R643	7030003600	S.RES ERJ3GEYJ 223 V (22 k)	B	69.9/55.4
R644	7030003560	S.RES ERJ3GEYJ 103 V (10 k)	B	68.5/55.4
R645	7030003520	S.RES ERJ3GEYJ 472 V (4.7 k)	T	109.3/56.3
R646	7030003720	S.RES ERJ3GEYJ 224 V (220 k)	B	116.5/56.5
R647	7030003720	S.RES ERJ3GEYJ 224 V (220 k)	B	117.5/59.1
R648	7030003720	S.RES ERJ3GEYJ 224 V (220 k)	B	118.5/56.5
R649	7030003720	S.RES ERJ3GEYJ 224 V (220 k)	B	119.5/59.1
R650	7030003720	S.RES ERJ3GEYJ 224 V (220 k)	B	120.5/56.5
R651	7030003720	S.RES ERJ3GEYJ 224 V (220 k)	B	121.5/59.1
R652	7030003720	S.RES ERJ3GEYJ 224 V (220 k)	B	122.5/56.5
R653	7030003720	S.RES ERJ3GEYJ 224 V (220 k)	B	123.4/59.1
R654	7030003520	S.RES ERJ3GEYJ 472 V (4.7 k)	B	117.5/54.2
R655	7030003520	S.RES ERJ3GEYJ 472 V (4.7 k)	B	117.5/52.7
R658	7030003640	S.RES ERJ3GEYJ 473 V (47 k)	T	99/45.1
R661	7030003640	S.RES ERJ3GEYJ 473 V (47 k)	T	70.2/27.4
R662	7030003720	S.RES ERJ3GEYJ 224 V (220 k)	B	66/30.2
R663	7030003640	S.RES ERJ3GEYJ 473 V (47 k)	B	66/27.3
R664	7030003640	S.RES ERJ3GEYJ 473 V (47 k)	B	66/26
R665	7030003640	S.RES ERJ3GEYJ 473 V (47 k)	B	66/28.6
R666	7030003640	S.RES ERJ3GEYJ 473 V (47 k)	B	71.2/18.3
R667	7030003720	S.RES ERJ3GEYJ 224 V (220 k)	B	68.5/21.3
R668	7030003640	S.RES ERJ3GEYJ 473 V (47 k)	B	67.2/21.3
R669	7030003640	S.RES ERJ3GEYJ 473 V (47 k)	B	63/33
R670	7030003640	S.RES ERJ3GEYJ 473 V (47 k)	B	72.5/18.3
R671	7030003640	S.RES ERJ3GEYJ 473 V (47 k)	B	86.5/9.2
R672	7030003640	S.RES ERJ3GEYJ 473 V (47 k)	B	83.9/10.9
R673	7030003640	S.RES ERJ3GEYJ 473 V (47 k)	B	74.6/16.3
R674	7030003640	S.RES ERJ3GEYJ 473 V (47 k)	B	77.9/12.3
R675	7030003640	S.RES ERJ3GEYJ 473 V (47 k)	B	76.5/13.8
R676	7030003640	S.RES ERJ3GEYJ 473 V (47 k)	B	79.2/12.

[LOGIC UNIT]

REF NO.	ORDER NO.	DESCRIPTION	M.	H/V LOCATION
R887	7030003320	S.RES ERJ3GEYJ 101 V (100)	T	53.8/39.7
R888	7030003320	S.RES ERJ3GEYJ 101 V (100)	T	55.1/39.7
R889	7030003320	S.RES ERJ3GEYJ 101 V (100)	T	54.5/31.5
R890	7030003320	S.RES ERJ3GEYJ 101 V (100)	T	56.4/39.7
R891	7030003320	S.RES ERJ3GEYJ 101 V (100)	T	55.8/31.5
R892	7030003320	S.RES ERJ3GEYJ 101 V (100)	T	57.7/39.7
R893	7030003320	S.RES ERJ3GEYJ 101 V (100)	T	57.1/31.5
R894	7030003320	S.RES ERJ3GEYJ 101 V (100)	T	59.3/39.7
R895	7030003860	S.RES ERJ3GE JPW V	T	58.4/31.5
R896	7030003860	S.RES ERJ3GE JPW V	T	60.3/39.7
R897	7030003860	S.RES ERJ3GE JPW V	T	59.7/31.5
R901	7030003200	S.RES ERJ3GEYJ 100 V (10)	T	8.7/120
R902	7030003860	S.RES ERJ3GE JPW V	B	44.2/38.3
R903	7030003360	S.RES ERJ3GEYJ 221 V (220)	T	8.7/118.7
R904	7030003360	S.RES ERJ3GEYJ 221 V (220)	B	4.2/117.9
R905	7030003360	S.RES ERJ3GEYJ 221 V (220)	T	8.7/117.4
R906	7030003360	S.RES ERJ3GEYJ 221 V (220)	B	4.2/116.6
R907	7030003440	S.RES ERJ3GEYJ 102 V (1 k)	T	8.7/116.1
R908	7030003860	S.RES ERJ3GE JPW V	T	9/114.3
R909	7030003860	S.RES ERJ3GE JPW V	T	9/113
R910	7030003860	S.RES ERJ3GE JPW V	T	9/111.7
R911	7030003860	S.RES ERJ3GE JPW V	T	9/132.9
R912	7030003860	S.RES ERJ3GE JPW V	T	9/131.6
R913	7030003860	S.RES ERJ3GE JPW V	T	9/130.3
R914	7030003860	S.RES ERJ3GE JPW V	T	9/129
R915	7030003440	S.RES ERJ3GEYJ 102 V (1 k)	B	10.3/129.9
R916	7030003440	S.RES ERJ3GEYJ 102 V (1 k)	B	4/128.1
R917	7030003440	S.RES ERJ3GEYJ 102 V (1 k)	B	7.5/132
R918	7030003440	S.RES ERJ3GEYJ 102 V (1 k)	B	4/126.8
R919	7030003440	S.RES ERJ3GEYJ 102 V (1 k)	B	9.3/125.5
R920	7030003440	S.RES ERJ3GEYJ 102 V (1 k)	B	4/125.5
R921	7030003440	S.RES ERJ3GEYJ 102 V (1 k)	B	9/129.9
R922	7030003440	S.RES ERJ3GEYJ 102 V (1 k)	B	4/124.2
R923	7030003440	S.RES ERJ3GEYJ 102 V (1 k)	T	8.6/124.9
R924	7030003440	S.RES ERJ3GEYJ 102 V (1 k)	B	4/122.9
R925	7030003440	S.RES ERJ3GEYJ 102 V (1 k)	T	8.6/122.3
R926	7030003440	S.RES ERJ3GEYJ 102 V (1 k)	B	4/121.6
R927	7030003440	S.RES ERJ3GEYJ 102 V (1 k)	B	4/129.4
R928	7030003860	S.RES ERJ3GE JPW V	T	9/110.4
R929	7030003860	S.RES ERJ3GE JPW V	T	9/109.1
R930	7030003360	S.RES ERJ3GEYJ 221 V (220)	T	8.7/106.6
R931	7030003860	S.RES ERJ3GE JPW V	T	62.6/140.9
R932	7030003860	S.RES ERJ3GE JPW V	T	64.6/140.9
R933	7030003360	S.RES ERJ3GEYJ 221 V (220)	T	8.7/104
R938	7030003520	S.RES ERJ3GEYJ 472 V (4.7 k)	T	79.3/135.4
R939	7030003520	S.RES ERJ3GEYJ 472 V (4.7 k)	T	79.4/136.8
R940	7030003560	S.RES ERJ3GEYJ 103 V (10 k)	T	78.8/140.1
R941	7030003320	S.RES ERJ3GEYJ 101 V (100)	T	80.1/141.3
R942	7030003320	S.RES ERJ3GEYJ 101 V (100)	T	83.2/140.9
R943	7030003320	S.RES ERJ3GEYJ 101 V (100)	T	84.5/140.9
R944	7030003320	S.RES ERJ3GEYJ 101 V (100)	T	85.8/140.9
R945	7030003320	S.RES ERJ3GEYJ 101 V (100)	T	87.1/140.9
R946	7030003320	S.RES ERJ3GEYJ 101 V (100)	T	88.4/140.9
R947	7030003320	S.RES ERJ3GEYJ 101 V (100)	T	89.7/140.9
R948	7030003320	S.RES ERJ3GEYJ 101 V (100)	T	91/140.9
R949	7030003200	S.RES ERJ3GEYJ 100 V (10)	T	106.2/140.9
R950	7030003200	S.RES ERJ3GEYJ 100 V (10)	T	104.9/140.9
R951	7030003200	S.RES ERJ3GEYJ 100 V (10)	T	103.6/140.9
R952	7030003200	S.RES ERJ3GEYJ 100 V (10)	T	102.3/140.9
R953	7030003200	S.RES ERJ3GEYJ 100 V (10)	T	101/140.9
R960	7030003440	S.RES ERJ3GEYJ 102 V (1 k)	T	27.8/18.6
R961	7030003440	S.RES ERJ3GEYJ 102 V (1 k)	T	31/19.4
R962	7030003440	S.RES ERJ3GEYJ 102 V (1 k)	T	33.6/19.4
R964	7030003200	S.RES ERJ3GEYJ 100 V (10)	T	177.4/16.2
R965	7030003200	S.RES ERJ3GEYJ 100 V (10)	T	177.4/17.6
R966	7030003360	S.RES ERJ3GEYJ 221 V (220)	T	180/21.2
R967	7030003360	S.RES ERJ3GEYJ 221 V (220)	T	177.3/21.9
R968	7030003360	S.RES ERJ3GEYJ 221 V (220)	T	180/22.6
R969	7030003200	S.RES ERJ3GEYJ 100 V (10)	T	180/19.8
R970	7030003440	S.RES ERJ3GEYJ 102 V (1 k)	T	29.7/19.4
R971	7030003440	S.RES ERJ3GEYJ 102 V (1 k)	T	32.3/19.4
R972	7030003440	S.RES ERJ3GEYJ 102 V (1 k)	T	34.9/19.4
R974	7030003200	S.RES ERJ3GEYJ 100 V (10)	T	180/16.9
R975	7030003200	S.RES ERJ3GEYJ 100 V (10)	T	180/18.3
R976	7030003360	S.RES ERJ3GEYJ 221 V (220)	T	177.4/20.5
R977	7030003360	S.RES ERJ3GEYJ 221 V (220)	T	177.3/23.3
R978	7030003360	S.RES ERJ3GEYJ 221 V (220)	T	183.2/126
R979	7030003360	S.RES ERJ3GEYJ 221 V (220)	T	180.6/125
R980	7030003360	S.RES ERJ3GEYJ 221 V (220)	T	183.2/124
R981	7030003360	S.RES ERJ3GEYJ 221 V (220)	T	180.7/123
R982	7030007230	S.RES ERA3YED 102V (1 k)	T	33.4/140.9
R983	7030003440	S.RES ERJ3GEYJ 102 V (1 k)	T	29/140.9
R984	7030007230	S.RES ERA3YED 102V (1 k)	T	27.7/140.9
R985	7030007230	S.RES ERA3YED 102V (1 k)	T	26.4/140.9
R986	7030007230	S.RES ERA3YED 102V (1 k)	T	25.1/140.9
R987	7030007230	S.RES ERA3YED 102V (1 k)	T	23.8/140.9
R988	7030007230	S.RES ERA3YED 102V (1 k)	T	22.5/140.9
R989	7030003360	S.RES ERJ3GEYJ 221 V (220)	T	30/8.3
R990	7030003360	S.RES ERJ3GEYJ 221 V (220)	T	31.3/8.3
R991	7030003360	S.RES ERJ3GEYJ 221 V (220)	T	32.6/8.3
R992	7030003360	S.RES ERJ3GEYJ 221 V (220)	T	33.9/8.3
R993	7030003360	S.RES ERJ3GEYJ 221 V (220)	T	35.2/8.3
R994	7030003360	S.RES ERJ3GEYJ 221 V (220)	T	36.5/8.3
R1001	7030003410	S.RES ERJ3GEYJ 561 V (560)	B	35.6/127.7
R1002	7030003540	S.RES ERJ3GEYJ 682 V (6.8 k)	B	32.8/122.7
R1003	7030003520	S.RES ERJ3GEYJ 472 V (4.7 k)	B	32.8/121.4
R1004	7030003520	S.RES ERJ3GEYJ 472 V (4.7 k)	B	30.8/122
R1005	7030003520	S.RES ERJ3GEYJ 472 V (4.7 k)	B	23.4/122.7
R1006	7030003550	S.RES ERJ3GEYJ 822 V (8.2 k)	B	26.2/122.7
R1007	7030003520	S.RES ERJ3GEYJ 472 V (4.7 k)	B	26.2/121.4
R1008	7030003520	S.RES ERJ3GEYJ 472 V (4.7 k)	B	28.2/122
R1009	7030003320	S.RES ERJ3GEYJ 101 V (100)	B	35.9/125.6
R1010	7030003320	S.RES ERJ3GEYJ 101 V (100)	B	35.8/128.4
R1011	7030003560	S.RES ERJ3GEYJ 103 V (10 k)	B	20.6/133.6

[LOGIC UNIT]

REF NO.	ORDER NO.	DESCRIPTION	M.	H/V LOCATION
R1012	7030003460	S.RES ERJ3GEYJ 152 V (1.5 k)	B	20.6/132.3
R1013	7030003500	S.RES ERJ3GEYJ 332 V (3.3 k)	B	26.2/133.6
R1014	7030003480	S.RES ERJ3GEYJ 222 V (2.2 k)	B	26.2/132.3
R1015	7030003470	S.RES ERJ3GEYJ 182 V (1.8 k)	B	23.3/130.3
R1016	7030003380	S.RES ERJ3GEYJ 331 V (330)	B	23.4/133.6
R1017	7030003360	S.RES ERJ3GEYJ 103 V (10 k)	B	35.8/133.6
R1018	7030003460	S.RES ERJ3GEYJ 152 V (1.5 k)	B	35.8/132.3
R1020	7030003540	S.RES ERJ3GEYJ 682 V (6.8 k)	B	35.8/131
R1021	7030003460	S.RES ERJ3GEYJ 152 V (1.5 k)	B	35.8/129.7
R1022	7030003380	S.RES ERJ3GEYJ 331 V (330)	B	32/133.6
R1023	7030003540	S.RES ERJ3GEYJ 682 V (6.8 k)	B	23.4/121.4
R1031	7030010900	S.RES ERJ3GEYJ 750 V (75)	T	167.2/120.8
R1032	7030003440	S.RES ERJ3GEYJ 102 V (1 k)	T	153.6/139.9
R1033	7030003320	S.RES ERJ3GEYJ 101 V (100)	T	170.9/131.9
R1034	7030003590	S.RES ERJ3GEYJ 183 V (18 k)	T	171.5/135.2
R1036	7030003320	S.RES ERJ3GEYJ 101 V (100)	T	171.5/139
R1037	7030010900	S.RES ERJ3GEYJ 750 V (75)	T	171.5/140.3
R1038	7030003240	S.RES ERJ3GEYJ 220 V (22)	T	169.4/136.3
R1101	7030003280	S.RES ERJ3GEYJ 470 V (47)	T	18.9/29.8
R1102	7030003280	S.RES ERJ3GEYJ 470 V (47)	T	16.1/30.5
R1103	7030003280	S.RES ERJ3GEYJ 470 V (47)	T	18.9/31.2
R1104	7030003280	S.RES ERJ3GEYJ 470 V (47)	T	16.1/31.9
R1105	7030003280	S.RES ERJ3GEYJ 470 V (47)	T	18.9/32.6
R1106	7030003280	S.RES ERJ3GEYJ 470 V (47)	T	16.1/33.3
R1107	7030003280	S.RES ERJ3GEYJ 470 V (47)	T	18.9/34
R1108	7030003280	S.RES ERJ3GEYJ 470 V (47)	T	16.1/34.7
R1109	7030003280	S.RES ERJ3GEYJ 470 V (47)	T	18.9/35.4
R1110	7030003280	S.RES ERJ3GEYJ 470 V (47)	T	16.1/36.1
R1111	7030003280	S.RES ERJ3GEYJ 470 V (47)	T	18.9/36.8
R1112	7030003280	S.RES ERJ3GEYJ 470 V (47)	T	16.1/37.5
R1113	7030003280	S.RES ERJ3GEYJ 470 V (47)	T	18.9/38.2
R1114	7030003280	S.RES ERJ3GEYJ 470 V (47)	T	16.1/38.9
R1115	7030003280	S.RES ERJ3GEYJ 470 V (47)	T	18.9/39.6
R1116	7030003280	S.RES ERJ3GEYJ 470 V (47)	T	16.1/40.3
R1117	7030003280	S.RES ERJ3GEYJ 470 V (47)	T	18.9/41
R1118	7030003280	S.RES ERJ3GEYJ 470 V (47)	T	16.1/41.7
R1119	7030003280	S.RES ERJ3GEYJ 470 V (47)	T	18.9/42.4
R1120	7030003280	S.RES ERJ3GEYJ 470 V (47)	T	16.1/43.1
R1121	7030003280	S.RES ERJ3GEYJ 470 V (47)	T	18.9/43.8
R1122	7030003280	S.RES ERJ3GEYJ 470 V (47)	T	16.1/44.5
R1123	7030003280	S.RES ERJ3GEYJ 470 V (47)	T	18.9/45.2
R1124	7030003280	S.RES ERJ3GEYJ 470 V (47)	T	16.1/47.2
R1125	7030003280	S.RES ERJ3GEYJ 470 V (47)	T	18.9/47.9
R1126	7030003280	S.RES ERJ3GEYJ 470 V (47)	T	16.1/48.6
R1127	7030003280	S.RES ERJ3GEYJ 470 V (47)	T	18.9/49.3
R1128	7030003280	S.RES ERJ3GEYJ 470 V (47)	T	16.1/50
R1129	7030003280	S.RES ERJ3GEYJ 470 V (47)	T	18.9/50.7
R1130	7030003280	S.RES ERJ3GEYJ 470 V (47)	T	16.1/51.4
R1131	7030003280	S.RES ERJ3GEYJ 470 V (47)	T	18.9/52.1
R1132	7030003280	S.RES ERJ3GEYJ 470 V (47)	T	16.1/52.8
R1133	7030003280	S.RES ERJ3GEYJ 470 V (47)	T	18.9/53.5
R1134	7030003280	S.RES ERJ3GEYJ 470 V (47)	T	16.1/54.2
R1135	7030003280	S.RES ERJ3GEYJ 470 V (47)	T	18.9/54.9
R1136	7030003280	S.RES ERJ3GEYJ 470 V (47)	T	16.1/55.6
R1137	7030003280	S.RES ERJ3GEYJ 470 V (47)	T	18.9/56.3
R1138	7030003280	S.RES ERJ3GEYJ 470 V (47)	T	16.1/57
R1139	7030003280	S.RES ERJ3GEYJ 470 V (47)	T	18.9/57.7
R1140	7030003280	S.RES ERJ3GEYJ 470 V (47)	T	16.1/58.4
R1141	7030003280	S.RES ERJ3GEYJ 470 V (47)	T	18.9/59.1
R1142	7030003280	S.RES ERJ3GEYJ 470 V (47)	T	16.1/59.8
R1143	7030003280	S.RES ERJ3GEYJ 470 V (47)	T	18.9/60.5
R1144	7030003280	S.RES ERJ3GEYJ 470 V (47)	T	16.1/61.2
R1145	7030003280	S.RES ERJ3GEYJ 470 V (47)	T	18.9/61.9
R1146	7030003280	S.RES ERJ3GEYJ 470 V (47)	T	16.1/62.6
R1151	7030003290	S.RES ERJ3GEYJ 560 V (56)	T	175.5/96.6
R1152	7030003320	S.RES ERJ3GEYJ 101 V (100)	T	172.2/95.9
R1153	7030003320	S.RES ERJ3GEYJ 101 V (100)	T	175.5/95.2
R1154	7030003320	S.RES ERJ3GEYJ 101 V (100)	T	172.2/94.5
R1155	7030003320	S.RES ERJ3GEYJ 101 V (100)	T	175.5/93.8
R1156	7030003320	S.RES ERJ3GEYJ 101 V (100)	T	172.2/93.1
R1157	7030003320	S.RES ERJ3GEYJ 101 V (100)	T	175.5/92.4
R1158	7030003320	S.RES ERJ3GEYJ 101 V (100)	T	172.2/91.7
R1159	7030003320	S.RES ERJ3GEYJ 101 V (100)	T	175.5/91
R1160	7030003320	S.RES ERJ3GEYJ 101 V (100)	T	172.2/90.3
R1161	7030003320	S.RES ERJ3GEYJ 101 V (100)	T	175.5/89.6
R1162	7030003320			

[LOGIC UNIT]

REF NO.	ORDER NO.	DESCRIPTION	M.	H/V LOCATION
C1	4030011600	S.CER C1608 JB 1E 104K-T	B	84.4/98.3
C2	4030011600	S.CER C1608 JB 1E 104K-T	B	82.8/98.3
C3	4030011600	S.CER C1608 JB 1E 104K-T	B	78./98.3
C4	4030011600	S.CER C1608 JB 1E 104K-T	B	74./98.3
C5	4030011600	S.CER C1608 JB 1E 104K-T	B	63.6/98.3
C6	4030011600	S.CER C1608 JB 1E 104K-T	B	81.6/115.4
C7	4030011600	S.CER C1608 JB 1E 104K-T	B	76.8/115.4
C8	4030011600	S.CER C1608 JB 1E 104K-T	T	84.4/122.5
C9	4030011600	S.CER C1608 JB 1E 104K-T	T	82.8/122.5
C10	4030011600	S.CER C1608 JB 1E 104K-T	T	78./122.5
C11	4030011600	S.CER C1608 JB 1E 104K-T	T	74./122.5
C12	4030011600	S.CER C1608 JB 1E 104K-T	T	63.6/122.5
C13	4030011600	S.CER C1608 JB 1E 104K-T	T	78.9/106.7
C14	4030011600	S.CER C1608 JB 1E 104K-T	T	74.2/106.7
C51	4030011600	S.CER C1608 JB 1E 104K-T	B	120.2/69.7
C52	4030011600	S.CER C1608 JB 1E 104K-T	B	110.7/61.1
C53	4030011600	S.CER C1608 JB 1E 104K-T	B	107.8/61.1
C54	4030011600	S.CER C1608 JB 1E 104K-T	B	121.7/66.2
C55	4030011600	S.CER C1608 JB 1E 104K-T	B	123.4/78.9
C56	4030011600	S.CER C1608 JB 1E 104K-T	B	128.7/80.9
C57	4030011600	S.CER C1608 JB 1E 104K-T	B	142.2/75.7
C58	4030011600	S.CER C1608 JB 1E 104K-T	B	142.2/73.1
C59	4030011600	S.CER C1608 JB 1E 104K-T	B	132.3/60.8
C60	4030011600	S.CER C1608 JB 1E 104K-T	B	126.2/61.1
C61	4030009990	S.CER C1608 CH 1H 200J-T	T	164./101.1
C62	4030011600	S.CER C1608 JB 1E 104K-T	T	157.9/51.8
C63	4030008890	S.CER C1608 JB 1H 273K-T	T	162.5/51.8
C64	4030011600	S.CER C1608 JB 1E 104K-T	T	164.6/53.7
C65	4030011600	S.CER C1608 JB 1E 104K-T	T	115./52
C101	4030011600	S.CER C1608 JB 1E 104K-T	T	39.1/86.9
C102	4030011600	S.CER C1608 JB 1E 104K-T	B	57.9/63.2
C103	4030011600	S.CER C1608 JB 1E 104K-T	B	61.8/93
C104	4030011600	S.CER C1608 JB 1E 104K-T	B	61.5/73.8
C105	4030011600	S.CER C1608 JB 1E 104K-T	B	64.2/86
C106	4030011600	S.CER C1608 JB 1E 104K-T	B	61.5/72.5
C107	4030011600	S.CER C1608 JB 1E 104K-T	B	66.7/72.5
C108	4030011600	S.CER C1608 JB 1E 104K-T	B	72.4/72.5
C109	4030011600	S.CER C1608 JB 1E 104K-T	B	74.3/75.8
C110	4030011600	S.CER C1608 JB 1E 104K-T	B	61.5/83
C111	4550007520	S.TAN F931A106MAABMA	B	72.4/63.8
C112	4030011600	S.CER C1608 JB 1E 104K-T	B	73.7/65.5
C113	4550007520	S.TAN F931A106MAABMA	B	78.3/63.8
C114	4030011600	S.CER C1608 JB 1E 104K-T	B	76.7/65.5
C115	4550007520	S.TAN F931A106MAABMA	B	83.5/63.8
C116	4030011600	S.CER C1608 JB 1E 104K-T	B	79.6/65.5
C117	4030011600	S.CER C1608 JB 1E 104K-T	B	61.6/86
C118	4030011600	S.CER C1608 JB 1E 104K-T	B	61.5/76.4
C119	4030011600	S.CER C1608 JB 1E 104K-T	B	61.5/84.3
C120	4030011600	S.CER C1608 JB 1E 104K-T	B	74.3/84.4
C121	4030011600	S.CER C1608 JB 1E 104K-T	B	72.5/85.2
C122	4030011600	S.CER C1608 JB 1E 104K-T	B	71.2/85.2
C123	4030006860	S.CER C1608 JB 1H 102K-T	B	72./93
C124	4030011600	S.CER C1608 JB 1E 104K-T	B	66.8/86
C125	4030011600	S.CER C1608 JB 1E 104K-T	B	69.4/86
C126	4030011600	S.CER C1608 JB 1E 104K-T	B	61.5/81.7
C127	4030011600	S.CER C1608 JB 1E 104K-T	B	57.9/65.8
C128	4030011600	S.CER C1608 JB 1E 104K-T	B	66.9/65.8
C129	4030011600	S.CER C1608 JB 1E 104K-T	B	60.8/79.8
C130	4030011600	S.CER C1608 JB 1E 104K-T	B	74.3/81.8
C131	4030011600	S.CER C1608 JB 1E 104K-T	B	81.1/83.7
C132	4030011600	S.CER C1608 JB 1E 104K-T	B	74.3/78.6
C133	4030011600	S.CER C1608 JB 1E 104K-T	B	61.8/65.9
C134	4030011600	S.CER C1608 JB 1E 104K-T	B	54./73.6
C135	4030011600	S.CER C1608 JB 1E 104K-T	B	61.5/75.1
C136	4030011600	S.CER C1608 JB 1E 104K-T	B	69.3/72.5
C137	4030011600	S.CER C1608 JB 1E 104K-T	B	64.1/72.5
C138	4030011600	S.CER C1608 JB 1E 104K-T	B	69.4/84.3
C139	4030011600	S.CER C1608 JB 1E 104K-T	B	74.3/73.2
C140	4030006900	S.CER C1608 JB 1H 103K-T	B	81.1/73.5
C141	4030011600	S.CER C1608 JB 1E 104K-T	T	79./53.6
C142	4030011600	S.CER C1608 JB 1E 104K-T	T	91.4/47
C143	4050000290	S.FED CNF10R102S-TM	T	19.4/89.2
C144	4030011600	S.CER C1608 JB 1E 104K-T	T	27.3/75.7
C145	4030007100	S.CER C1608 CH 1H 560J-T	T	24.1/73.5
C146	4030008560	S.CER C1608 CH 1H 300J-T	T	22.2/77.1
C147	4030007060	S.CER C1608 CH 1H 270J-T	T	21.6/74.8
C148	4030011600	S.CER C1608 JB 1E 104K-T	T	21.4/85.6
C149	4030011600	S.CER C1608 JB 1E 104K-T	T	23.2/90.2
C150	4030007130	S.CER C1608 CH 1H 101J-T	T	26./75.7
C151	4030007130	S.CER C1608 CH 1H 101J-T	T	20.1/85.6
C152	4030007130	S.CER C1608 CH 1H 101J-T	T	52.4/100.3
C153	4030007130	S.CER C1608 CH 1H 101J-T	T	41.7/86.9
C154	4030007130	S.CER C1608 CH 1H 101J-T	T	24.8/88.9
C155	4030007130	S.CER C1608 CH 1H 101J-T	T	93.7/56.2
C156	4030007130	S.CER C1608 CH 1H 101J-T	T	76.9/51.7
C157	4030007130	S.CER C1608 CH 1H 101J-T	T	62.2/123.8
C158	4030007130	S.CER C1608 CH 1H 101J-T	B	74.4/114.8
C159	4030007130	S.CER C1608 CH 1H 101J-T	T	104.8/118.8
C160	4030007130	S.CER C1608 CH 1H 101J-T	T	58.1/119.2
C161	4030007130	S.CER C1608 CH 1H 101J-T	B	144.2/77.5
C162	4030007130	S.CER C1608 CH 1H 101J-T	B	102.4/79.6
C163	4030007130	S.CER C1608 CH 1H 101J-T	T	110.7/49.2
C164	4030007130	S.CER C1608 CH 1H 101J-T	T	166.7/52.9
C165	4030007130	S.CER C1608 CH 1H 101J-T	T	156.7/49.7
C166	4030007130	S.CER C1608 CH 1H 101J-T	T	89.4/97.1
C167	4030007170	S.CER C1608 CH 1H 221J-T	T	
		except [USA], [EUR], [UK]	T	17.9/92.9
	4030011340	S.CER C1608 CH 1H 471J-T	T	
		[USA], [EUR], [UK]	T	17.9/92.9
C168	4030007150	S.CER C1608 CH 1H 151J-T	T	17.9/91.4
C169	4030007170	S.CER C1608 CH 1H 221J-T	T	21.4/98.8
C170	4030007150	S.CER C1608 CH 1H 151J-T	T	22.9/98.8
C171	4030007170	S.CER C1608 CH 1H 221J-T	T	29.6/91.4
C172	4030007150	S.CER C1608 CH 1H 151J-T	T	29.6/96.6

[LOGIC UNIT]

REF NO.	ORDER NO.	DESCRIPTION	M.	H/V LOCATION
C201	4030011600	S.CER C1608 JB 1E 104K-T	B	133.9/100.8
C202	4030011600	S.CER C1608 JB 1E 104K-T	B	132.4/100.8
C203	4030011600	S.CER C1608 JB 1E 104K-T	B	138.7/100.8
C204	4030011600	S.CER C1608 JB 1E 104K-T	B	142.7/100.8
C205	4030011600	S.CER C1608 JB 1E 104K-T	B	153.1/100.8
C206	4030011600	S.CER C1608 JB 1E 104K-T	B	135.5/85
C207	4030011600	S.CER C1608 JB 1E 104K-T	B	140.4/85
C208	4030011600	S.CER C1608 JB 1E 104K-T	B	132.8/118.3
C209	4030011600	S.CER C1608 JB 1E 104K-T	B	135.4/118.3
C210	4030011600	S.CER C1608 JB 1E 104K-T	B	138.9/118.3
C211	4030011600	S.CER C1608 JB 1E 104K-T	B	142./118.3
C212	4030011600	S.CER C1608 JB 1E 104K-T	B	152.1/118.3
C213	4030011600	S.CER C1608 JB 1E 104K-T	B	135.4/102.6
C214	4030011600	S.CER C1608 JB 1E 104K-T	B	140.2/102.7
C215	4030011600	S.CER C1608 JB 1E 104K-T	B	104.1/105.4
C216	4030011600	S.CER C1608 JB 1E 104K-T	B	100.3/86.6
C217	4030011600	S.CER C1608 JB 1E 104K-T	B	106.2/94.6
C218	4030011600	S.CER C1608 JB 1E 104K-T	B	106.8/87.6
C219	4030011600	S.CER C1608 JB 1E 104K-T	B	109.4/87.6
C220	4030011600	S.CER C1608 JB 1E 104K-T	B	105.5/87.6
C221	4030011600	S.CER C1608 JB 1E 104K-T	B	111.3/81.6
C222	4030011600	S.CER C1608 JB 1E 104K-T	B	109.1/104.4
C223	4030011600	S.CER C1608 JB 1E 104K-T	B	105.5/98.4
C224	4030011600	S.CER C1608 JB 1E 104K-T	B	100.3/98.7
C225	4030011600	S.CER C1608 JB 1E 104K-T	B	106.2/92
C226	4030011600	S.CER C1608 JB 1E 104K-T	B	106.2/90.7
C227	4030011600	S.CER C1608 JB 1E 104K-T	B	111.4/87.6
C228	4030011600	S.CER C1608 JB 1E 104K-T	B	106.2/89.4
C229	4030011600	S.CER C1608 JB 1E 104K-T	B	116.1/104.4
C230	4030011600	S.CER C1608 JB 1E 104K-T	B	112./98.2
C231	4030011600	S.CER C1608 JB 1E 104K-T	B	117.2/98.6
C232	4030011600	S.CER C1608 JB 1E 104K-T	B	106.2/95.9
C233	4030011600	S.CER C1608 JB 1E 104K-T	B	117.2/92.1
C234	4030011600	S.CER C1608 JB 1E 104K-T	B	114./87.6
C235	4030011600	S.CER C1608 JB 1E 104K-T	B	116.9/81.4
C236	4030011600	S.CER C1608 JB 1E 104K-T	B	117.2/97.3
C237	4030011600	S.CER C1608 JB 1E 104K-T	B	117.2/96
C238	4030011600	S.CER C1608 JB 1E 104K-T	B	117.2/94.7
C239	4030011600	S.CER C1608 JB 1E 104K-T	B	100.3/96.1
C240	4030011600	S.CER C1608 JB 1E 104K-T	B	117.2/90.8
C241	4030011600	S.CER C1608 JB 1E 104K-T	B	117.2/89.5
C242	4030011600	S.CER C1608 JB 1E 104K-T	B	117.9/87.6
C243	4030011600	S.CER C1608 JB 1E 104K-T	B	116.6/87.6
C244	4030011600	S.CER C1608 JB 1E 104K-T	B	106.2/93.3
C245	4030011600	S.CER C1608 JB 1E 104K-T	B	106.8/98.2
C246	4030011600	S.CER C1608 JB 1E 104K-T	B	117.2/93.4
C247	4030011600	S.CER C1608 JB 1E 104K-T	B	114./98.2
C248	4030011600	S.CER C1608 JB 1E 104K-T	B	115.3/87.6
C249	4030011600	S.CER C1608 JB 1E 104K-T	B	108.1/87.6
C250	4030007050	S.CER C1608 CH 1H 220J-T	T	117.8/106.3
C251	4030007050	S.CER C1608 CH 1H 220J-T	T	115.2/106.3
C252	4030006990	S.CER C1608 CH 1H 080D-T	T	114.8/79.8
C253	4030006990	S.CER C1608 CH 1H 080D-T	T	116.1/79.8
C254	4030006900	S.CER C1608 JB 1H 103K-T	T	98.4/100.4
C255	4510008520	S.ELE EEE1CA470SP	T	115.8/116.9
C256	4030006900	S.CER C1608 JB 1H 103K-T	T	97.8/82.8
C257	4510007130	S.ELE EEFC D J 470R	T	93.2/81.3
C258	4030011600	S.CER C1608 JB 1E 104K-T	T	99./75.1
C259	4030011600	S.CER C1608 JB 1E 104K-T	B	100.3/91.9
C260	4030011600	S.CER C1608 JB 1E 104K-T	B	122.9/139.6
C261	4030011600	S.CER C1608 JB 1E 104K-T	B	121.6/139.6
C262	4030011600	S.CER C1608 JB 1E 104K-T	B	114.4/141
C263	4030011600	S.CER C1608 JB 1E 104K-T	B	109.2/131.5
C264	4030011600	S.CER C1608 JB 1E 104K-T	B	114.4/142.3
C265	4510008540	S.ELE EEE1CA100SR	T	116.1/143.5
C266	4030011600	S.CER C1608 JB 1E 104K-T	T	111.3/143.6
C267	4030007100	S.CER C1608 CH 1H 560J-T	B	119.8/143.9
C268	4030007100	S.CER C1608 CH 1H 560J-T	B	119.8/150.3
C269	4030007100	S.CER C1608 CH 1H 560J-T	B	113/147.6
C270	4030007050	S.CER C1608 CH 1H 220J-T	B	121.8/143.2
C271	4030007050	S.CER C1608 CH 1H 220J-T	B	121.8/149.6
C272	4030007050	S.CER C1608 CH 1H 220J-T	B	113.4/152.3

[LOGIC UNIT]

REF NO.	ORDER NO.	DESCRIPTION	M.	H/V LOCATION
C313	4030007130	S.CER C1608 CH 1H 101J-T	B	173.8/105.7
C314	4030007130	S.CER C1608 CH 1H 101J-T	B	80.5/128.7
C315	4030007130	S.CER C1608 CH 1H 101J-T	B	80.5/126.1
C316	4030007130	S.CER C1608 CH 1H 101J-T	B	85.8/136.7
C317	4030011600	S.CER C1608 JB 1E 104K-T	B	107.6/124.1
C380	4030007120	S.CER C1608 CH 1H 820J-T	T	109.6/123.1
C381	4030007120	S.CER C1608 CH 1H 820J-T	B	102/116.4
C401	4030011600	S.CER C1608 JB 1E 104K-T	B	42.9/76.5
C402	4030011600	S.CER C1608 JB 1E 104K-T	B	37/76.5
C403	4030011600	S.CER C1608 JB 1E 104K-T	B	25.8/67.6
C404	4030011600	S.CER C1608 JB 1E 104K-T	B	25.8/60.4
C405	4030011600	S.CER C1608 JB 1E 104K-T	B	34.9/50.6
C406	4030011600	S.CER C1608 JB 1E 104K-T	B	40.1/50.6
C407	4030011600	S.CER C1608 JB 1E 104K-T	B	44.4/50.6
C408	4030011600	S.CER C1608 JB 1E 104K-T	B	53.2/57.3
C409	4030011600	S.CER C1608 JB 1E 104K-T	B	53.4/62.5
C410	4030011600	S.CER C1608 JB 1E 104K-T	B	53.4/66
C411	4030011600	S.CER C1608 JB 1E 104K-T	B	55.6/51.2
C412	4030006860	S.CER C1608 JB 1H 102K-T	T	44/59.7
C413	4030006900	S.CER C1608 JB 1H 103K-T	T	41.4/59.7
C414	4030007150	S.CER C1608 CH 1H 151J-T	T	42.7/59.7
C415	4030011600	S.CER C1608 JB 1E 104K-T	B	29.9/45.5
C416	4510008540	S.ELE EEE1CA100SR	T	40.6/45.8
C417	4030011600	S.CER C1608 JB 1E 104K-T	B	29.8/47.6
C418	4510008540	S.ELE EEE1CA100SR	T	35.4/51.7
C419	4030006900	S.CER C1608 JB 1H 103K-T	T	39.7/75.5
C420	4030007150	S.CER C1608 CH 1H 151J-T	T	39.7/74.2
C421	4550007520	S.TAN F931A106MAABMA	B	34.4/41.8
C422	4030011600	S.CER C1608 JB 1E 104K-T	T	37/77.3
C423	4030011600	S.CER C1608 JB 1E 104K-T	B	50/100.1
C424	4030011600	S.CER C1608 JB 1E 104K-T	B	53.3/96.3
C425	4030011600	S.CER C1608 JB 1E 104K-T	B	49.3/86.4
C426	4030011600	S.CER C1608 JB 1E 104K-T	B	49.5/82.7
C427	4030011600	S.CER C1608 JB 1E 104K-T	B	41.5/77.8
C428	4030011600	S.CER C1608 JB 1E 104K-T	B	35.5/77.8
C429	4030011600	S.CER C1608 JB 1E 104K-T	B	32.9/77.8
C430	4030011600	S.CER C1608 JB 1E 104K-T	B	23.5/99.4
C431	4030011600	S.CER C1608 JB 1E 104K-T	B	27/87.4
C432	4030011600	S.CER C1608 JB 1E 104K-T	B	27/94
C433	4030011600	S.CER C1608 JB 1E 104K-T	B	27/97.2
C434	4030011600	S.CER C1608 JB 1E 104K-T	B	31.9/105.2
C435	4030011600	S.CER C1608 JB 1E 104K-T	B	35.5/105.2
C436	4030011600	S.CER C1608 JB 1E 104K-T	B	40.4/105.2
C437	4030011600	S.CER C1608 JB 1E 104K-T	T	32.4/108.5
C438	4030011600	S.CER C1608 JB 1E 104K-T	T	22.4/105.7
C439	4030011600	S.CER C1608 JB 1E 104K-T	T	27.5/122.5
C440	4030019220	S.CER C4532X7R3D222KT	T	19.8/126.2
C441	4030007130	S.CER C1608 CH 1H 101J-T	T	46.1/104.6
C442	4030011600	S.CER C1608 JB 1E 104K-T	T	46.1/105.9
C443	4030011600	S.CER C1608 JB 1E 104K-T	B	41.9/47.3
C444	4030007130	S.CER C1608 CH 1H 101J-T	B	24.5/60.4
C445	4030007130	S.CER C1608 CH 1H 101J-T	B	29.9/44.2
C446	4030007130	S.CER C1608 CH 1H 101J-T	B	31.1/47.6
C447	4030007130	S.CER C1608 CH 1H 101J-T	T	37/76
C448	4030007130	S.CER C1608 CH 1H 101J-T	B	26.5/80
C449	4030007130	S.CER C1608 CH 1H 101J-T	T	33.7/108.5
C450	4030007130	S.CER C1608 CH 1H 101J-T	T	23.7/105.7
C451	4030007130	S.CER C1608 CH 1H 101J-T	T	26.2/122.5
C452	4030011340	S.CER C1608 CH 1H 471J-T	T	38.7/58.7
C453	4030011600	S.CER C1608 JB 1E 104K-T	T	38.7/60
C501	4510008540	S.ELE EEE1CA100SR	T	150.1/128
C502	4030011600	S.CER C1608 JB 1E 104K-T	T	146.3/129.3
C503	4030011600	S.CER C1608 JB 1E 104K-T	T	146.3/131.9
C504	4030011600	S.CER C1608 JB 1E 104K-T	T	146.3/143.1
C505	4030011600	S.CER C1608 JB 1E 104K-T	T	137.2/146.2
C506	4030011600	S.CER C1608 JB 1E 104K-T	T	132.7/146.2
C507	4030011600	S.CER C1608 JB 1E 104K-T	T	126.3/143.1
C508	4030011600	S.CER C1608 JB 1E 104K-T	T	126.3/137.7
C509	4030011600	S.CER C1608 JB 1E 104K-T	T	126.3/134.6
C510	4030011600	S.CER C1608 JB 1E 104K-T	T	126.3/129
C511	4030011600	S.CER C1608 JB 1E 104K-T	T	131.8/123.9
C512	4030011600	S.CER C1608 JB 1E 104K-T	T	141/123.9
C513	4510008540	S.ELE EEE1CA100SR	T	150.4/134.5
C514	4030011600	S.CER C1608 JB 1E 104K-T	T	146.3/134.7
C515	4030011600	S.CER C1608 JB 1E 104K-T	T	146.3/137.3
C516	4030011600	S.CER C1608 JB 1E 104K-T	T	146.9/140.3
C517	4030008920	S.CER C1608 JB 1H 473K-T	B	140.2/132.7
C518	4030008920	S.CER C1608 JB 1H 473K-T	B	140.2/134
C519	4030008920	S.CER C1608 JB 1H 473K-T	B	140.2/136.6
C520	4030008920	S.CER C1608 JB 1H 473K-T	B	140.2/137.9
C521	4030008920	S.CER C1608 JB 1H 473K-T	B	140.2/139.2
C522	4030008920	S.CER C1608 JB 1H 473K-T	T	149/139.5
C523	4030008920	S.CER C1608 JB 1H 473K-T	B	137.4/135.3
C524	4030008920	S.CER C1608 JB 1H 473K-T	B	137.4/140.5
C525	4030007130	S.CER C1608 CH 1H 101J-T	T	147.6/137.3
C526	4030007130	S.CER C1608 CH 1H 101J-T	T	132.7/147.5
C550	4030006880	S.CER C1608 JB 1H 472K-T	B	147/21.1
C551	4030011600	S.CER C1608 JB 1E 104K-T	B	126.7/33.3
C552	4030011600	S.CER C1608 JB 1E 104K-T	B	128.7/37.5
C553	4030011600	S.CER C1608 JB 1E 104K-T	B	141.2/47.9
C554	4030011600	S.CER C1608 JB 1E 104K-T	B	140.9/23.5
C555	4510008540	S.ELE EEE1CA100SR	T	139.5/33.5
C556	4030011600	S.CER C1608 JB 1E 104K-T	B	152.7/31.7
C557	4030011600	S.CER C1608 JB 1E 104K-T	B	151.4/31.7
C558	4030011600	S.CER C1608 JB 1E 104K-T	B	143/23.2
C559	4030011600	S.CER C1608 JB 1E 104K-T	B	144.3/23.2
C560	4510008540	S.ELE EEE1CA100SR	T	144.3/32.4
C561	4030010240	S.CER C1608 JB 1H 391K-T	B	158.3/29.6
C562	4030007140	S.CER C1608 CH 1H 121J-T	B	155.3/34
C563	4030010040	S.CER C1608 JB 1H 561K-T	B	157.7/36.8
C564	4030007130	S.CER C1608 CH 1H 101J-T	B	140.9/24.8
C565	4030007130	S.CER C1608 CH 1H 101J-T	B	154/31.7
C601	4030011600	S.CER C1608 JB 1E 104K-T	B	54.8/34.2
C602	4030007130	S.CER C1608 CH 1H 101J-T	B	54.8/32.9

[LOGIC UNIT]

REF NO.	ORDER NO.	DESCRIPTION	M.	H/V LOCATION
C603	4030011600	S.CER C1608 JB 1E 104K-T	B	94.3/59.7
C604	4030011600	S.CER C1608 JB 1E 104K-T	B	115.1/51.8
C605	4030011600	S.CER C1608 JB 1E 104K-T	B	115.2/36.2
C606	4030011600	S.CER C1608 JB 1E 104K-T	B	99.1/32.6
C607	4030011600	S.CER C1608 JB 1E 104K-T	B	96.5/32.6
C608	4550007520	S.TAN F931A106MAABMA	T	91.1/34.1
C609	4550007520	S.TAN F931A106MAABMA	T	93.3/34.1
C610	4030006900	S.CER C1608 JB 1H 103K-T	B	87.6/37.7
C611	4030006900	S.CER C1608 JB 1H 103K-T	B	85/38.5
C612	4030007010	S.CER C1608 CH 1H 100D-T	T	95.6/31.9
C613	4030007010	S.CER C1608 CH 1H 100D-T	T	98.2/31.9
C614	4030011600	S.CER C1608 JB 1E 104K-T	B	100.9/29.2
C615	4030007130	S.CER C1608 CH 1H 101J-T	B	47.2/31.5
C616	4030011600	S.CER C1608 JB 1E 104K-T	B	47.2/30.2
C617	4030007130	S.CER C1608 CH 1H 101J-T	B	120.1/54.2
C618	4030007130	S.CER C1608 CH 1H 101J-T	B	88.9/37.7
C619	4030006880	S.CER C1608 JB 1H 472K-T	T	95.6/43.8
C620	4030006880	S.CER C1608 JB 1H 472K-T	T	95.6/41.2
C621	4030006880	S.CER C1608 JB 1H 472K-T	T	95.6/38.6
C622	4030006880	S.CER C1608 JB 1H 472K-T	T	95.6/36
C623	4030006880	S.CER C1608 JB 1H 472K-T	T	95.6/46.4
C624	4030006880	S.CER C1608 JB 1H 472K-T	B	88/40.4
C625	4030007130	S.CER C1608 CH 1H 101J-T	B	86.3/38.5
C626	4030011600	S.CER C1608 JB 1E 104K-T	B	75.1/35.3
C627	4030011600	S.CER C1608 JB 1E 104K-T	B	78.4/35.3
C628	4030011600	S.CER C1608 JB 1E 104K-T	B	81.3/44.1
C629	4030011600	S.CER C1608 JB 1E 104K-T	B	68.5/52.5
C630	4030011600	S.CER C1608 JB 1E 104K-T	B	165.6/66.7
C631	4030011600	S.CER C1608 JB 1E 104K-T	B	163.6/63.1
C632	4030011600	S.CER C1608 JB 1E 104K-T	B	148.1/79.9
C633	4030011600	S.CER C1608 JB 1E 104K-T	B	152.9/81.7
C634	4030011600	S.CER C1608 JB 1E 104K-T	B	167.4/77.2
C635	4030011600	S.CER C1608 JB 1E 104K-T	B	145.8/73.5
C636	4030011600	S.CER C1608 JB 1E 104K-T	B	145.8/67.1
C637	4510008540	S.ELE EEE1CA100SR	T	116.5/47.3
C638	4030011600	S.CER C1608 JB 1E 104K-T	T	21.2/132.3
C639	4030011600	S.CER C1608 JB 1E 104K-T	T	21.2/135.4
C640	4030007130	S.CER C1608 CH 1H 101J-T	B	73.2/34.5
C641	4030007130	S.CER C1608 CH 1H 101J-T	B	80.3/37.2
C642	4030007130	S.CER C1608 CH 1H 101J-T	B	80/44.1
C643	4030007130	S.CER C1608 CH 1H 101J-T	B	69.8/51.5
C644	4030007130	S.CER C1608 CH 1H 101J-T	B	145.8/69.8
C645	4030007130	S.CER C1608 CH 1H 101J-T	T	22.5/132.9
C801	4510008540	S.ELE EEE1CA100SR	T	183/147.2
C802	4030011600	S.CER C1608 JB 1E 104K-T	B	169.5/148.9
C803	4030011600	S.CER C1608 JB 1E 104K-T	B	169.5/151.8
C804	4510008540	S.ELE EEE1CA100SR	T	183/152
C805	4510008540	S.ELE EEE1CA100SR	T	191.5/142.4
C806	4030011600	S.CER C1608 JB 1E 104K-T	B	191.9/131.1
C807	4030011600	S.CER C1608 JB 1E 104K-T	B	189/131.1
C808	4510008540	S.ELE EEE1CA100SR	T	186.7/142.4
C809	4510008540	S.ELE EEE1CA100SR	T	22.8/8.3
C810	4030011600	S.CER C1608 JB 1E 104K-T	B	30.6/6.6
C811	4030011600	S.CER C1608 JB 1E 104K-T	B	30.6/3.7
C812	4510008540	S.ELE EEE1CA100SR	T	22.8/3.5
C813	4510008540	S.ELE EEE1CA100SR	T	181.3/86.6
C814	4030011600	S.CER C1608 JB 1E 104K-T	B	176.6/36.7
C815	4030011600	S.CER C1608 JB 1E 104K-T	B	176.6/39.6
C816	4510008520	S.ELE EEE1CA470SP	T	175.2/39.8
C817	4550007520	S.TAN F931A106MAABMA	B	9.7/18.1
C818	4030011600	S.CER C1608 JB 1E 104K-T	B	11.6/19.1
C819	4030011600	S.CER C1608 JB 1E 104K-T	B	17.2/20.5
C820	4550007210	S.TAN F930G476MBABMA	B	20.1/22.3
C823	4030006860	S.CER C1608 JB 1H 102K-T	B	182.3/51.5
C824	4030007130	S.CER C1608 CH 1H 101J-T	B	186.2/51.5
C825	4030006860	S.CER C1608 JB 1H 102K-T	B	182.4/55.2
C826	4030007130	S.CER C1608 CH 1H 101J-T	B	186.2/55.3
C827	4030018960	S.CER C3216 JB 1C 106MT-N	T	44.1/144.5
C828	4030011600	S.CER C1608 JB 1E 104K-T	B	44.1/145.9
C829	4030011600	S.CER C1608 JB 1E 104K-T	B	44.1/148.7
C830	4030018960	S.CER C3216 JB 1C 106MT-N	T	44.1/149.5
C847	4510008520	S.ELE EEE1CA470SP	T	187.1/71

[LOGIC UNIT]

REF NO.	ORDER NO.	DESCRIPTION	M.	H/V LOCATION
C893	4030007050	S.CER C1608 CH 1H 220J-T	T	57.7/28.7
C894	4030007050	S.CER C1608 CH 1H 220J-T	T	59.4/2.5
C895	4030006860	S.CER C1608 JB 1H 102K-T	T	59.2/8.7
C896	4030007050	S.CER C1608 CH 1H 220J-T	T	60.3/42.5
C897	4030007050	S.CER C1608 CH 1H 220J-T	T	60.3/28.7
C911	4030006900	S.CER C1608 JB 1H 103K-T	B	10.3/132.5
C912	4030006900	S.CER C1608 JB 1H 103K-T	B	6.6/128.1
C913	4030006900	S.CER C1608 JB 1H 103K-T	B	5.5/132.8
C914	4030006900	S.CER C1608 JB 1H 103K-T	B	6.6/126.8
C915	4030006900	S.CER C1608 JB 1H 103K-T	B	9.3/122.8
C916	4030006900	S.CER C1608 JB 1H 103K-T	B	6.6/125.5
C917	4030006900	S.CER C1608 JB 1H 103K-T	B	9/132.5
C918	4030006900	S.CER C1608 JB 1H 103K-T	B	6.6/124.2
C919	4030006900	S.CER C1608 JB 1H 103K-T	T	10/126.2
C920	4030006900	S.CER C1608 JB 1H 103K-T	B	6.6/122.9
C921	4030006900	S.CER C1608 JB 1H 103K-T	T	8.6/123.6
C922	4030006900	S.CER C1608 JB 1H 103K-T	B	6.6/121.6
C923	4030006900	S.CER C1608 JB 1H 103K-T	B	6.6/129.4
C924	4030006860	S.CER C1608 JB 1H 102K-T	T	11.3/142.7
C925	4030007130	S.CER C1608 CH 1H 101J-T	T	10/142.7
C926	4030006860	S.CER C1608 JB 1H 102K-T	B	10.7/135.6
C927	4030007130	S.CER C1608 CH 1H 101J-T	B	13.9/135.5
C928	4030006860	S.CER C1608 JB 1H 102K-T	B	12/133
C929	4030007130	S.CER C1608 CH 1H 101J-T	B	13.9/134.2
C930	4030006860	S.CER C1608 JB 1H 102K-T	B	7/137.5
C931	4030006860	S.CER C1608 JB 1H 102K-T	T	64.6/138.2
C932	4030006860	S.CER C1608 JB 1H 102K-T	T	62.6/138.2
C933	4030006860	S.CER C1608 JB 1H 102K-T	T	59.6/137
C934	4030006860	S.CER C1608 JB 1H 102K-T	T	55.8/138.4
C935	4030006860	S.CER C1608 JB 1H 102K-T	T	51/151.5
C936	4030006860	S.CER C1608 JB 1H 102K-T	T	52.6/138.5
C937	4030007130	S.CER C1608 CH 1H 101J-T	B	7/138.8
C938	4030006860	S.CER C1608 JB 1H 102K-T	B	7/136.1
C939	4030007130	S.CER C1608 CH 1H 101J-T	B	7/134.7
C940	4030006860	S.CER C1608 JB 1H 102K-T	B	4/110.6
C941	4030006900	S.CER C1608 JB 1H 103K-T	T	73.6/138.1
C942	4030006900	S.CER C1608 JB 1H 103K-T	T	74.9/137.1
C943	4030006900	S.CER C1608 JB 1H 103K-T	T	76.2/137.1
C944	4030006900	S.CER C1608 JB 1H 103K-T	T	77.5/137.1
C945	4030006900	S.CER C1608 JB 1H 103K-T	T	80.1/138.7
C946	4030006900	S.CER C1608 JB 1H 103K-T	T	81.5/136.2
C947	4030007050	S.CER C1608 CH 1H 220J-T	T	83.2/137.7
C948	4030007050	S.CER C1608 CH 1H 220J-T	T	84.5/137.7
C949	4030007050	S.CER C1608 CH 1H 220J-T	T	85.8/137.6
C950	4030007050	S.CER C1608 CH 1H 220J-T	T	87.1/137.6
C951	4030007050	S.CER C1608 CH 1H 220J-T	T	88.4/137.6
C952	4030007050	S.CER C1608 CH 1H 220J-T	T	89.7/137.6
C953	4030007050	S.CER C1608 CH 1H 220J-T	T	91/137.6
C954	4030006880	S.CER C1608 JB 1H 472K-T	T	96.1/137.9
C955	4030006880	S.CER C1608 JB 1H 472K-T	T	98.7/137.9
C956	4030006880	S.CER C1608 JB 1H 472K-T	T	101/137.6
C957	4030006880	S.CER C1608 JB 1H 472K-T	T	102.3/137.6
C958	4030007130	S.CER C1608 CH 1H 101J-T	B	4/109.3
C959	4030006860	S.CER C1608 JB 1H 102K-T	B	8.5/101.3
C960	4030006860	S.CER C1608 JB 1H 102K-T	T	27.8/20.1
C961	4030006880	S.CER C1608 JB 1H 472K-T	T	173.4/12.8
C962	4030006880	S.CER C1608 JB 1H 472K-T	T	173.4/15.5
C963	4030006880	S.CER C1608 JB 1H 472K-T	T	173.4/18.1
C964	4030007050	S.CER C1608 CH 1H 220J-T	T	173.4/22
C965	4030007050	S.CER C1608 CH 1H 220J-T	T	173.4/23.3
C966	4030007050	S.CER C1608 CH 1H 220J-T	T	173.4/24.6
C967	4030006880	S.CER C1608 JB 1H 472K-T	T	173.4/29.8
C968	4030006880	S.CER C1608 JB 1H 472K-T	T	173.4/31.5
C969	4030006880	S.CER C1608 JB 1H 472K-T	T	173.4/28.2
C970	4030007050	S.CER C1608 CH 1H 220J-T	T	173.4/25.9
C971	4030007050	S.CER C1608 CH 1H 220J-T	T	173.4/20.7
C972	4030006880	S.CER C1608 JB 1H 472K-T	T	173.4/19.4
C973	4030006880	S.CER C1608 JB 1H 472K-T	T	173.4/16.8
C974	4030006880	S.CER C1608 JB 1H 472K-T	T	173.4/14.2
C975	4030007130	S.CER C1608 CH 1H 101J-T	B	8.5/102.6
C976	4030011340	S.CER C1608 CH 1H 471J-T	T	176.9/127.1
C977	4030011340	S.CER C1608 CH 1H 471J-T	T	176.9/128.4
C978	4030011340	S.CER C1608 CH 1H 471J-T	T	176.9/129.7
C979	4030006880	S.CER C1608 JB 1H 472K-T	T	176.9/131
C980	4030006880	S.CER C1608 JB 1H 472K-T	T	176.9/133
C981	4030006880	S.CER C1608 JB 1H 472K-T	T	176.9/135.6
C982	4030011340	S.CER C1608 CH 1H 471J-T	T	27.7/138.1
C983	4030011340	S.CER C1608 CH 1H 471J-T	T	29/138.1
C984	4030006880	S.CER C1608 JB 1H 472K-T	T	31.2/136.3
C985	4030006880	S.CER C1608 JB 1H 472K-T	T	34.7/137
C986	4030006880	S.CER C1608 JB 1H 472K-T	T	36/137
C987	4030006880	S.CER C1608 JB 1H 472K-T	T	38.2/137.6
C991	4030006880	S.CER C1608 JB 1H 472K-T	T	37/10.3
C992	4030006880	S.CER C1608 JB 1H 472K-T	T	41.4/8.9
C1001	4510008540	S.ELE EEE1CA100SR	T	40.7/122.6
C1002	4510008560	S.ELE EEE1HAR47SR	T	16.1/139.4
C1004	4030011600	S.CER C1608 JB 1E 104K-T	B	29.5/122.7
C1005	4510008540	S.ELE EEE1CA100SR	T	31.1/129.3
C1006	4030011600	S.CER C1608 JB 1E 104K-T	B	29.5/133
C1007	4510008540	S.ELE EEE1CA100SR	T	25.6/130.6
C1011	4510008540	S.ELE EEE1CA100SR	T	40.7/127.4
C1012	4030009490	S.CER C1608 JB 1H 821K-T	B	23.4/132.3
C1013	4030009490	S.CER C1608 JB 1H 821K-T	B	28.2/133
C1014	4510008540	S.ELE EEE1CA100SR	T	40.7/132.2
C1015	4030010760	S.CER C1608 CH 1H 331J-T	B	32/132.3
C1016	4030008470	S.CER C1608 JB 1H 272K-T	B	33.9/133
C1031	4510008500	S.ELE EEE1CA101WP	T	163.7/125
C1032	4510008500	S.ELE EEE1CA101WP	T	156.3/134.6
C1033	4030011600	S.CER C1608 JB 1E 104K-T	T	169.6/131.9
C1034	4510008500	S.ELE EEE1CA101WP	T	171.9/126
C1035	4030018910	S.CER C1608 JB 0J 475K-T	T	172.2/131.9
C1036	4510008500	S.ELE EEE1CA101WP	T	164.5/137.6
C1037	4550007410	S.TAN F931A157MNBMA	T	172.7/146.1
C1051	4510008510	S.ELE EEE1CA471P	T	78/20

[LOGIC UNIT]

REF NO.	ORDER NO.	DESCRIPTION	M.	H/V LOCATION
C1052	4510008510	S.ELE EEE1CA471P	T	27.8/28.3
C1053	4510008510	S.ELE EEE1CA471P	T	5.7/19.3
C1054	4510008510	S.ELE EEE1CA471P	T	16.5/19.3
C1055	4510008510	S.ELE EEE1CA471P	T	54/20
C1056	4030006900	S.CER C1608 JB 1H 103K-T	T	40.6/24.4
C1057	4030011600	S.CER C1608 JB 1E 104K-T	T	3.1/10.6
C1058	4030011600	S.CER C1608 JB 1E 104K-T	T	35.2/27.4
C1059	4030011600	S.CER C1608 JB 1E 104K-T	T	65/21.7
C1060	4030011600	S.CER C1608 JB 1E 104K-T	T	15.9/10.8
C1061	4030011600	S.CER C1608 JB 1E 104K-T	T	53.3/12.3
C1062	4030017490	S.CER C1608 JB 1A 105K-T	T	4.4/10.6
C1063	4030017490	S.CER C1608 JB 1A 105K-T	T	33.9/27.4
C1064	4030017490	S.CER C1608 JB 1A 105K-T	T	66.3/21.7
C1065	4030017490	S.CER C1608 JB 1A 105K-T	T	17.2/10.8
C1066	4030017490	S.CER C1608 JB 1A 105K-T	T	53.3/11
C1162	4030006860	S.CER C1608 JB 1H 102K-T	T	32.3/11
C1164	4030006860	S.CER C1608 JB 1H 102K-T	T	35.4/21.2
C1165	4030006860	S.CER C1608 JB 1H 102K-T	T	37.3/22.4
C1401	4030007170	S.CER C1608 CH 1H 221J-T	T	121.1/24.6
C1402	4030007170	S.CER C1608 CH 1H 221J-T	T	122.5/24.6
C1403	4030007170	S.CER C1608 CH 1H 221J-T	T	123.9/24.6
C1404	4030007170	S.CER C1608 CH 1H 221J-T	T	125.3/24.6
C1405	4030007170	S.CER C1608 CH 1H 221J-T	T	126.7/24.6
C1406	4030007170	S.CER C1608 CH 1H 221J-T	T	128.1/24.6
C1407	4030007170	S.CER C1608 CH 1H 221J-T	T	129.5/24.6
C1408	4030007170	S.CER C1608 CH 1H 221J-T	T	130.9/24.6
C1409	4030007170	S.CER C1608 CH 1H 221J-T	T	132.3/24.6
C1410	4030007170	S.CER C1608 CH 1H 221J-T	T	133.7/24.6
C1411	4030007170	S.CER C1608 CH 1H 221J-T	T	135.1/24.6
J1	6510022490	S.CNR AXK5S30045P	T	54.7/113
J2	6510019870	S.CNR AXK5S40045P	T	99.7/113
J52	6510023261	S.CNR B6B-PH-SM4-TB (LF) (SN)	T	161.7/94.7
J102	6510019981	S.CNR 52808-1671 (1690)	T	87.2/55
J604	6510019971	S.CNR 52808-1071	T	87.2/38
J801	6510003441	CNR B08B-EH-S (LF) (SN)		
J802	6510003461	CNR B10B-EH-S (LF) (SN)		
J803	6510020251	S.CNR B9B-PH-SM4-TB (LF) (SN)	T	14/113.8
J805	6510020081	S.CNR 52808-2071 (2090)	T	188/53.7
J806	6510022471	S.CNR 40FLT-SM2-TB (LF) (SN)	T	188/85.9
J811	6510021721	S.CNR 30FLT-SM2-TB (LF) (SN)	T	5.1/112
J812	6510021721	S.CNR 30FLT-SM2-TB (LF) (SN)	T	5.1/130.6
J813	6510024151	S.CNR 50FY-BMT-TB (LF) (SN)	T	5.3/46.2
J814	6510019981	S.CNR 52808-1671 (1690)	T	58.1/146.5
J815	6510021721	S.CNR 30FLT-SM2-TB (LF) (SN)	T	51.9/35.6
J816	6510024521	S.CNR 12FLT-SM2-TB (LF) (SN)	T	5.8/66
J817	6510020081	S.CNR 52808-2071 (2090)	T	81.5/146.5
J818	6510019971	S.CNR 52808-1071	T	101.5/146.5
J819	6510021721	S.CNR 30FLT-SM2-TB (LF) (SN)	T	188/21.1
J820	6510019981	S.CNR 52808-1671 (1690)	T	188/129.5
J821	6510019981	S.CNR 52808-1671 (1690)	T	30.8/146.5
J822	6510020251	S.CNR 52808-1271 (1290)	T	35.6/4.2
J851	6510018961	S.CNR B2B-PH-SM4-TB (LF) (SN)	T	153.7/146.5
J852	6510018961	S.CNR B2B-PH-SM4-TB (LF) (SN)	T	165.1/146.5
J853	6510019981	S.CNR 52808-1671 (1690)	T	33.6/115.2
J900	6510021721	S.CNR 30FLT-SM2-TB (LF) (SN)	T	128.4/31.5
DS401	5040002930	S.LED SML-512MW T86	T	40.5/104.6
DS402	5040002930	S.LED SML-512MW T86	T	40.5/103.3
DS403	5040002930	S.LED SML-512MW T86	T	40.5/102
S51	2260001890	S.SW SKQDPA	T	170.5/56.7
T401	5920000841	S.TSM H1102NL	T	27/115.4
EP2	6910015970	S.BEA MMZ1608B 301CT-AS	T	58.1/120.5
EP3	6910015970	S.BEA MMZ1608B 301CT-AS	T	108.9/117
EP4	6910015970	S.BEA MMZ1608B 301CT-AS	B	72.4/115.3
EP5	6910015970	S.BEA MMZ1608B 301CT-AS	T	61.5/121.7
EP51	6910015970	S.BEA MMZ1608B 301CT-AS	B	102.4/81.2
EP52	6910015970	S.BEA MMZ1608B 301CT-AS	B	142.2/78.3
EP53	6910015970	S.BEA MMZ1608B 301CT-AS	T	155.3/51.8
EP54	6910015970	S.BEA MMZ1608B 301CT-AS	T	164.6/55
EP55	6910015970	S.BEA MMZ1608B 301CT-AS	T	117.2/52.7
EP104	6910015970	S.BEA MMZ1608B 301CT-AS	T	36.5/86.9
EP105	6910015970	S.BEA MMZ1608B 301CT-AS	T	79.5/51.7
EP106	6910015970	S.BEA MMZ1608B 301CT-AS	T	26.4/72.7
EP107	6910015970	S.BEA MMZ1608B 301CT-AS	T	20.9/87.5

[LOGIC UNIT]

REF NO.	ORDER NO.	DESCRIPTION	M.	H/V LOCATION
EP401	6910013310	S.BEA MMZ1608D121B	T	34.1/94.6
EP402	6910013310	S.BEA MMZ1608D121B	T	32/90.6
EP403	6910013310	S.BEA MMZ1608D121B	T	34.1/97.5
EP404	6910015970	S.BEA MMZ1608B 301CT-AS	B	23.2/61.9
EP405	6910012350	S.BEA MMZ1608Y 102BT	T	36.8/59.4
EP411	6910014730	S.BEA MPZ2012S331A-T	T	40.1/41
EP412	6910014730	S.BEA MPZ2012S331A-T	T	36.4/47.8
EP421	6910015970	S.BEA MMZ1608B 301CT-AS	B	23.9/78.8
EP422	6910015970	S.BEA MMZ1608B 301CT-AS	T	35.5/81.3
EP423	6910015970	S.BEA MMZ1608B 301CT-AS	T	46.1/102
EP431	6910015970	S.BEA MMZ1608B 301CT-AS	T	34.4/114.1
EP501	6910015970	S.BEA MMZ1608B 301CT-AS	T	151.4/138
EP502	6910015970	S.BEA MMZ1608B 301CT-AS	T	146.3/126.5
EP503	6910015970	S.BEA MMZ1608B 301CT-AS	T	138.5/30
EP504	6910015970	S.BEA MMZ1608B 301CT-AS	B	153.5/37.9
EP601	6910015970	S.BEA MMZ1608B 301CT-AS	B	58.3/34.9
EP602	6910015970	S.BEA MMZ1608B 301CT-AS	B	119.3/51.9
EP603	6910015970	S.BEA MMZ1608B 301CT-AS	B	86.8/35.8
EP604	6910015970	S.BEA MMZ1608B 301CT-AS	B	82.9/37.7
EP605	6910015970	S.BEA MMZ1608B 301CT-AS	B	75.5/34
EP606	6910015970	S.BEA MMZ1608B 301CT-AS	B	81/35.3
EP607	6910015970	S.BEA MMZ1608B 301CT-AS	B	80.7/42.2
EP608	6910015970	S.BEA MMZ1608B 301CT-AS	B	70.4/53.3
EP609	6910015970	S.BEA MMZ1608B 301CT-AS	B	45.7/33.5
EP621	6910015970	S.BEA MMZ1608B 301CT-AS	T	21.2/129.5
EP631	6910015970	S.BEA MMZ1608B 301CT-AS	B	144.5/73.5
EP801	6910013310	S.BEA MMZ1608D121B	T	180.7/96.6
EP802	6910013310	S.BEA MMZ1608D121B	T	178.1/95.9
EP803	6910013310	S.BEA MMZ1608D121B	T	180.7/95.2
EP804	6910013310	S.BEA MMZ1608D121B	T	178.1/94.5
EP805	6910013310	S.BEA MMZ1608D121B	T	180.7/93.8
EP806	6910013310	S.BEA MMZ1608D121B	T	178.1/93.1
EP807	6910013310	S.BEA MMZ1608D121B	T	180.7/92.4
EP808	6910013310	S.BEA MMZ1608D121B	T	178.1/91.7
EP809	6910013310	S.BEA MMZ1608D121B	T	180.7/91
EP810	6910013310	S.BEA MMZ1608D121B	T	178.1/90.3
EP811	6910013310	S.BEA MMZ1608D121B	T	180.7/89.6
EP812	6910013310	S.BEA MMZ1608D121B	T	178.1/88.9
EP813	6910013310	S.BEA MMZ1608D121B	T	180.7/88.2
EP814	6910013310	S.BEA MMZ1608D121B	T	178.1/87.5
EP815	6910013310	S.BEA MMZ1608D121B	T	180.7/86.8
EP816	6910013310	S.BEA MMZ1608D121B	T	178.1/86.1
EP817	6910013310	S.BEA MMZ1608D121B	T	180.7/85.4
EP818	6910013310	S.BEA MMZ1608D121B	T	178.1/84.7
EP819	6910013310	S.BEA MMZ1608D121B	T	180.7/84
EP820	6910013310	S.BEA MMZ1608D121B	T	180.7/82
EP822	6910014730	S.BEA MPZ2012S331A-T	T	181.6/48.5
EP823	6910014730	S.BEA MPZ2012S331A-T	T	181.6/51.3
EP825	6910014730	S.BEA MPZ2012S331A-T	T	181.5/55.2
EP826	6910015970	S.BEA MMZ1608B 301CT-AS	T	182.5/57.7
EP827	6910015970	S.BEA MMZ1608B 301CT-AS	T	182.5/60.3
EP828	6910015970	S.BEA MMZ1608B 301CT-AS	T	182.5/61.6
EP829	6910015970	S.BEA MMZ1608B 301CT-AS	T	182.5/59
EP851	6910014730	S.BEA MPZ2012S331A-T	T	135.3/9.8
EP853	6910014730	S.BEA MPZ2012S331A-T	T	137.8/9.8
EP854	6910014730	S.BEA MPZ2012S331A-T	T	140.3/9.8
EP855	6910014730	S.BEA MPZ2012S331A-T	T	142.8/9.8
EP856	6910014730	S.BEA MPZ2012S331A-T	T	132.8/9.9
EP857	6910014730	S.BEA MPZ2012S331A-T	T	130.3/9.9
EP861	6910014730	S.BEA MPZ2012S331A-T	T	66.4/10.1
EP862	6910014730	S.BEA MPZ2012S331A-T	T	68.4/10.1
EP901	6910015970	S.BEA MMZ1608B 301CT-AS	T	8.7/105.3
EP902	6910014730	S.BEA MPZ2012S331A-T	T	2.1/111.2
EP903	6910014730	S.BEA MPZ2012S331A-T	T	9.6/134.5
EP904	6910014730	S.BEA MPZ2012S331A-T	T	15.2/126.1
EP905	6910014730	S.BEA MPZ2012S331A-T	T	71.2/142
EP906	6910014730	S.BEA MPZ2012S331A-T	T	91/151
EP907	6910014730	S.BEA MPZ2012S331A-T	T	106/151
EP908	6910014730	S.BEA MPZ2012S331A-T	T	97/151
EP909	6910014730	S.BEA MPZ2012S331A-T	T	38.3/151
EP910	6910014730	S.BEA MPZ2012S331A-T	T	28.3/151
EP911	6910014730	S.BEA MPZ2012S331A-T	T	9.1/140.6
EP912	6910014730	S.BEA MPZ2012S331A-T	T	9.1/138.9
EP913	6910015970	S.BEA MMZ1608B 301CT-AS	T	9.2/137.3
EP914	6910015970	S.BEA MMZ1608B 301CT-AS	T	9.2/136
EP915	6910015970	S.BEA MMZ1608B 301CT-AS	B	4.2/137.3
EP916	6910015970	S.BEA MMZ1608B 301CT-AS	B	4.2/135.7
EP920	6910015970	S.BEA MMZ1608B 301CT-AS	T	2.2/107.5
EP921	6910014730	S.BEA MPZ2012S331A-T	T	20.9/142
EP931	6910015970	S.BEA MMZ1608B 301CT-AS	T	52.6/141.2
EP932	6910015970	S.BEA MMZ1608B 301CT-AS	T	53.3/150.8
EP933	6910015970	S.BEA MMZ1608B 301CT-AS	T	59.6/140.9
EP934	6910014730	S.BEA MPZ2012S331A-T	T	56.6/140.7
EP941	6910015970	S.BEA MMZ1608B 301CT-AS	T	73.6/140.9
EP942	6910015970	S.BEA MMZ1608B 301CT-AS	T	74.9/140.9
EP943	6910015970	S.BEA MMZ1608B 301CT-AS	T	76.2/140.9
EP944	6910015970	S.BEA MMZ1608B 301CT-AS	T	77.5/140.9
EP945	6910014730	S.BEA MPZ2012S331A-T	T	81.6/140.9
EP951	6910014730	S.BEA MPZ2012S331A-T	T	99.1/140.1
EP952	6910014730	S.BEA MPZ2012S331A-T	T	95.3/140.1
EP961	6910015970	S.BEA MMZ1608B 301CT-AS	T	177.4/19.1
EP963	6910014730	S.BEA MPZ2012S331A-T	T	179.2/26.7
EP964	6910014730	S.BEA MPZ2012S331A-T	T	179.2/28.4
EP965	6910014730	S.BEA MPZ2012S331A-T	T	179.3/30.2
EP971	6910015970	S.BEA MMZ1608B 301CT-AS	T	180.7/133
EP972	6910015970	S.BEA MMZ1608B 301CT-AS	T	180.7/131
EP973	6910015970	S.BEA MMZ1608B 301CT-AS	T	183.2/130
EP974	6910015970	S.BEA MMZ1608B 301CT-AS	T	180.7/129
EP975	6910014730	S.BEA MPZ2012S331A-T	T	181.8/135.6
EP976	6910015970	S.BEA MMZ1608B 301CT-AS	T	183.2/128
EP981	6910015970	S.BEA MMZ1608B 301CT-AS	T	36/140.9
EP982	6910015970	S.BEA MMZ1608B 301CT-AS	T	34.7/140.9
EP983	6910014730	S.BEA MPZ2012S331A-T	T	38.2/140.5
EP984	6910014730	S.BEA MPZ2012S331A-T	T	31.2/140.5

[LOGIC UNIT]

REF NO.	ORDER NO.	DESCRIPTION	M.	H/V LOCATION
EP991	6910015970	S.BEA MMZ1608B 301CT-AS	T	37.8/8.3
EP992	6910014730	S.BEA MPZ2012S331A-T	T	39.8/8.7
EP1051	6910014730	S.BEA MPZ2012S331A-T	T	124.8/9.9
EP1052	6910014730	S.BEA MPZ2012S331A-T	T	58.7/10.2
EP1053	6910014730	S.BEA MPZ2012S331A-T	T	56.2/10.2
EP1054	6910014730	S.BEA MPZ2012S331A-T	T	22.8/19
EP1055	6910014730	S.BEA MPZ2012S331A-T	T	19.3/13
EP1056	6910014730	S.BEA MPZ2012S331A-T	B	22.7/19.4
EP1101	6910013310	S.BEA MMZ1608D121B	T	13.3/29.8
EP1102	6910013310	S.BEA MMZ1608D121B	T	10.5/30.5
EP1103	6910013310	S.BEA MMZ1608D121B	T	13.3/31.2
EP1104	6910013310	S.BEA MMZ1608D121B	T	10.5/31.9
EP1105	6910013310	S.BEA MMZ1608D121B	T	13.3/32.6
EP1106	6910013310	S.BEA MMZ1608D121B	T	10.5/33.3
EP1107	6910013310	S.BEA MMZ1608D121B	T	13.3/34
EP1108	6910013310	S.BEA MMZ1608D121B	T	10.5/34.7
EP1109	6910013310	S.BEA MMZ1608D121B	T	13.3/35.4
EP1110	6910013310	S.BEA MMZ1608D121B	T	10.5/36.1
EP1111	6910013310	S.BEA MMZ1608D121B	T	13.3/36.8
EP1112	6910013310	S.BEA MMZ1608D121B	T	10.5/37.5
EP1113	6910013310	S.BEA MMZ1608D121B	T	13.3/38.2
EP1114	6910013310	S.BEA MMZ1608D121B	T	10.5/38.9
EP1115	6910013310	S.BEA MMZ1608D121B	T	13.3/39.6
EP1116	6910013310	S.BEA MMZ1608D121B	T	10.5/40.3
EP1117	6910013310	S.BEA MMZ1608D121B	T	13.3/41
EP1118	6910013310	S.BEA MMZ1608D121B	T	10.5/41.7
EP1119	6910013310	S.BEA MMZ1608D121B	T	13.3/42.4
EP1120	6910013310	S.BEA MMZ1608D121B	T	10.5/43.1
EP1121	6910013310	S.BEA MMZ1608D121B	T	13.3/43.8
EP1122	6910013310	S.BEA MMZ1608D121B	T	10.5/44.5
EP1123	6910013310	S.BEA MMZ1608D121B	T	13.3/45.2
EP1124	6910013310	S.BEA MMZ1608D121B	T	10.5/47.2
EP1125	6910013310	S.BEA MMZ1608D121B	T	13.3/47.9
EP1126	6910013310	S.BEA MMZ1608D121B	T	10.5/48.6
EP1127	6910013310	S.BEA MMZ1608D121B	T	13.3/49.3
EP1128	6910013310	S.BEA MMZ1608D121B	T	10.5/50
EP1129	6910013310	S.BEA MMZ1608D121B	T	13.3/50.7
EP1130	6910013310	S.BEA MMZ1608D121B	T	10.5/51.4
EP1131	6910013310	S.BEA MMZ1608D121B	T	13.3/52.1
EP1132	6910013310	S.BEA MMZ1608D121B	T	10.5/52.8
EP1133	6910013310	S.BEA MMZ1608D121B	T	13.3/53.5
EP1134	6910013310	S.BEA MMZ1608D121B	T	10.5/54.2
EP1135	6910013310	S.BEA MMZ1608D121B	T	13.3/54.9
EP1136	6910013310	S.BEA MMZ1608D121B	T	10.5/55.6
EP1137	6910013310	S.BEA MMZ1608D121B	T	13.3/56.3
EP1138	6910013310	S.BEA MMZ1608D121B	T	10.5/57
EP1139	6910013310	S.BEA MMZ1608D121B	T	13.3/57.7
EP1140	6910013310	S.BEA MMZ1608D121B	T	10.5/58.4
EP1141	6910013310	S.BEA MMZ1608D121B	T	13.3/59.1
EP1142	6910013310	S.BEA MMZ1608D121B	T	10.5/59.8
EP1143	6910013310	S.BEA MMZ1608D121B	T	13.3/60.5
EP1144	6910013310	S.BEA MMZ1608D121B	T	10.5/61.2
EP1145	6910013310	S.BEA MMZ1608D121B	T	13.3/61.9
EP1146	6910013310	S.BEA MMZ1608D121B	T	10.5/62.6
EP1147	6910014730	S.BEA MPZ2012S331A-T	T	22.5/45.8
EP1149	6910014730	S.BEA MPZ2012S331A-T	T	39.6/19.8
EP1263	6910015970	S.BEA MMZ1608B 301CT-AS	T	36.2/19.8
EP1273	6910015970	S.BEA MMZ1608B 301CT-AS	T	38.1/19.4

M.=Mounted side (T: Mounted on the Top side B: Mounted on the Bottom side)
S.=Surface mount

[MAIN UNIT]

REF NO.	ORDER NO.	DESCRIPTION	M.	H/V LOCATION
IC101	1180000720	S.IC AN79L05M-(E1)	B	73.8/9.7
IC201	1130013370	S.IC HD74LV2GT34AUSE-E	T	56.5/48
IC202	1130006891	S.IC TC7S04FU (TE85R,F)	T	51.6/46
IC203	1140007881	S.IC TC190G08EFG0046JDZ/SC1246A	T	59.1/34.4
IC1002	1130012610	S.IC SN74AHC1GU04DCKR	T	92.9/59.5
IC1004	1130012600	S.IC SN74AHC1G04DCKR	T	92.7/63.3
IC1005	1140012211	S.IC TM5320C6713BZDP225	B	75.4/76.6
IC1006	1130013740	S.IC AT29LV040A-15TU (RX-2844D) except [FRA], [AUS], [CHN]	T	54/76.7
	1130013743	S.IC AT29LV040A-15TU (RX-2844D-3) [FRA], [AUS], [CHN]	T	54/76.7
IC1076	1110006411	S.IC R3111N111A-TR-F	T	76.8/91.6
IC1301	1130013110	S.IC KIC7W53FK-RTK/P	B	101.6/16.6
IC1302	1110006100	S.IC NJM5534MD-TE1-#ZZZB	B	110.5/10.5
IC1304	1110006100	S.IC NJM5534MD-TE1-#ZZZB	B	101.2/26.5
IC1305	1110006100	S.IC NJM5534MD-TE1-#ZZZB	B	112.5/26.7
IC1331	1110005100	S.IC NJM072BM-TE1-#ZZZB	B	123/14.3
IC1332	1130013110	S.IC KIC7W53FK-RTK/P	B	122.5/23.2
IC1351	1110006111	S.IC AK5394AVSP/P	B	103.3/42.1
IC1353	1130006891	S.IC TC7S04FU (TE85R,F)	B	71.4/50.5
IC1355	1130012610	S.IC SN74AHC1GU04DCKR	B	71.4/46.1
IC1401	1130012580	S.IC AK4355-VF-E2	B	83.1/50.1
IC1421	1110005420	S.IC BA15532F-E2	B	79.9/30
IC1471	1110005420	S.IC BA15532F-E2	B	90.1/30
IC1601	1180002650	S.REG SI-3012KS-TL	B	64.9/95
IC2001	1180002650	S.REG SI-3012KS-TL	B	121.3/95.3
IC2051	1180003030	S.IC S-812C25AUA-C2FT2G	B	126.2/38.2
IC2201	1110006580	S.IC AD8007AKSZ	T	121.6/42
IC2301	1190002031	S.IC AD7650ASTZ	B	118.5/53
IC2302	1130006891	S.IC TC7S04FU (TE85R,F)	B	125.4/52.5
IC2351	1130008041	S.IC TC7S04FU (TE85L,JF)	B	125.3/49.8
IC2402	1110006411	S.IC R3111N111A-TR-F	T	105.8/61.8
IC2403	1140012221	S.IC TM5320C6711DZDP200	B	119.5/76.5
IC2404	1130013730	S.IC AT49BV040B-TU (RX-2844E)	T	98/76.7
IC2451	1130011930	S.IC SN74LVC1G04DCKR	T	132/59.6
IC2452	1130011930	S.IC SN74LVC1G04DCKR	T	132.1/55.4
IC3101	1140007881	S.IC TC190G08EFG0046JDZ/SC1246A	T	33/35.5
IC3131	1130006891	S.IC TC7S04FU (TE85R,F)	T	40.7/24.4
IC3221	1110003201	S.IC TA31136FNG (EL)	T	10.1/41
IC3222	1120002830	S.IC NJM2125F-TE1-#FZZB	T	18.7/48.6
IC3251	1130012850	S.IC SN74LVC3G34DCUR	T	40/95
IC3271	1110005610	S.IC NJM2058V-TE1-#ZZZB	B	13/71.1
IC3321	1130013110	S.IC KIC7W53FK-RTK/P	B	84.1/17.1
IC3322	1130013110	S.IC KIC7W53FK-RTK/P	B	92.5/17.1
IC3323	1130013110	S.IC KIC7W53FK-RTK/P	B	76.9/17.1
IC3324	1130013370	S.IC HD74LV2GT34AUSE-E	T	35.5/22
Q201	1590003520	S.TR BCR108T except [FRA], [AUS], [CHN]	B	68/37.1
	1590003940	S.TR RN1105 (TE85L,F) [FRA], [AUS], [CHN]	B	68/37.1
Q1001	1590003520	S.TR BCR108T except [FRA], [AUS], [CHN]	B	90.2/56.5
	1590003940	S.TR RN1105 (TE85L,F) except [FRA], [AUS], [CHN]	B	90.2/56.5
Q3141	1590003520	S.TR BCR108T [FRA], [AUS], [CHN]	B	23.3/34.7
	1590003940	S.TR RN1105 (TE85L,F) except [FRA], [AUS], [CHN]	B	23.3/34.7
Q3321	1590003520	S.TR BCR108T [FRA], [AUS], [CHN]	B	81.6/18.5
	1590003940	S.TR RN1105 (TE85L,F) except [FRA], [AUS], [CHN]	B	81.6/18.5
Q3322	1590003520	S.TR BCR108T except [FRA], [AUS], [CHN]	B	90/18.5
	1590003940	S.TR RN1105 (TE85L,F) [FRA], [AUS], [CHN]	B	90/18.5
Q3323	1590003520	S.TR BCR108T except [FRA], [AUS], [CHN]	B	74.4/18.5
Q3323	1590003940	S.TR RN1105 (TE85L,F) [FRA], [AUS], [CHN]	B	74.4/18.5
D1602	1710000840	S.DIO 1SR154-400 TE25	B	59.2/95
D2001	1710000840	S.DIO 1SR154-400 TE25	B	115.5/95.3
FI1001	2040000790	S.LC EXCCET103U	B	90.5/73.3
FI2401	2040000790	S.LC EXCCET103U	B	127.5/59.2
FI3201	2020001810	S.CER SFECV10M7FA00-R0 (SFECV10.7MA5S)	T	11/27.7
FI3221	2020002250	CER LT450EW <JJE>	T	
X1001	6050011660	S.XTL CR-754 (30.000 MHz)	B	94.3/60.7
L201	6200001831	S.COL NLV32T-100J	B	62.8/43.7
L301	6200003711	S.COL NLV25T-2R7J	B	68.1/22.3
L302	6200002981	S.COL NLV32T-R56J	B	73.7/26.2
L303	6200003041	S.COL NLV32T-R68J	B	72.7/31.3
L304	6200003051	S.COL NLV32T-R82J	B	70.7/37.6
L1001	6180003501	S.COL SLF6028T-100M1R3-PF	T	71.8/95
L2301	6200001831	S.COL NLV32T-100J	T	109.9/56.2
L2302	6200001831	S.COL NLV32T-100J	T	114.6/45.4
L2481	6180003501	S.COL SLF6028T-100M1R3-PF	T	124.5/94
L2482	6200001831	S.COL NLV32T-100J	B	99.3/58.8
L3101	6200001831	S.COL NLV32T-100J	B	29.1/25.5
L3151	6200003091	S.COL NLV32T-2R7J	B	20.7/50
L3152	6200003061	S.COL NLV32T-1R2J	B	21.6/38
L3153	6200003061	S.COL NLV32T-1R2J	B	19.8/34.6
L3201	6200010970	S.COL C2520C-1R8G-A (1.8U)	T	11/21.8
L3221	6200002041	S.COL NLV25T-101J	T	17.3/39.8

[MAIN UNIT]

REF NO.	ORDER NO.	DESCRIPTION	M.	H/V LOCATION
L3222	6200003151	S.COL NLV32T-180J	T	9.2/33.5
R1	7030003370	S.RES ERJ3GEYJ 271 V (270)	B	53.2/17.5
R2	7030003370	S.RES ERJ3GEYJ 180 V (18)	B	53.8/19.4
R3	7030003370	S.RES ERJ3GEYJ 271 V (270)	B	54.6/17.5
R21	7030003860	S.RES ERJ3GE JPW V	T	103.6/26.6
R41	7030003860	S.RES ERJ3GE JPW V	B	89.7/9.4
R42	7030003860	S.RES ERJ3GE JPW V	B	85.8/9.3
R61	7030003320	S.RES ERJ3GEYJ 101 V (100)	T	110.7/93.1
R62	7030003320	S.RES ERJ3GEYJ 101 V (100)	T	110.7/91.8
R63	7030003320	S.RES ERJ3GEYJ 101 V (100)	T	108/91.2
R64	7030003320	S.RES ERJ3GEYJ 101 V (100)	T	106.7/91.2
R65	7030003320	S.RES ERJ3GEYJ 101 V (100)	T	105.4/91.2
R66	7030003320	S.RES ERJ3GEYJ 101 V (100)	T	104.1/91.2
R67	7030003320	S.RES ERJ3GEYJ 101 V (100)	T	102.8/91.2
R68	7030003320	S.RES ERJ3GEYJ 101 V (100)	T	101.5/91.2
R69	7030003320	S.RES ERJ3GEYJ 101 V (100)	T	100.2/91.2
R70	7030003320	S.RES ERJ3GEYJ 101 V (100)	T	98.9/91.2
R71	7030003320	S.RES ERJ3GEYJ 101 V (100)	T	97.6/91.2
R72	7030003320	S.RES ERJ3GEYJ 101 V (100)	T	96.3/91.2
R73	7030003320	S.RES ERJ3GEYJ 101 V (100)	T	95/91.2
R74	7030003860	S.RES ERJ3GE JPW V	T	93.7/91.2
R75	7030003320	S.RES ERJ3GEYJ 101 V (100)	B	108.8/96.3
R76	7030003320	S.RES ERJ3GEYJ 101 V (100)	B	107.5/96.3
R77	7030003320	S.RES ERJ3GEYJ 101 V (100)	B	106.2/96.3
R78	7030003320	S.RES ERJ3GEYJ 101 V (100)	B	104.9/96.3
R79	7030003320	S.RES ERJ3GEYJ 101 V (100)	B	103.6/96.3
R80	7030003320	S.RES ERJ3GEYJ 101 V (100)	B	102.3/96.3
R81	7030003320	S.RES ERJ3GEYJ 101 V (100)	B	101/96.3
R82	7030003320	S.RES ERJ3GEYJ 101 V (100)	B	99.7/96.3
R83	7030003320	S.RES ERJ3GEYJ 101 V (100)	B	98.4/96.3
R84	7030003320	S.RES ERJ3GEYJ 101 V (100)	B	97.1/96.3
R85	7030003320	S.RES ERJ3GEYJ 101 V (100)	B	95.8/96.3
R86	7030003860	S.RES ERJ3GE JPW V	B	94.5/96.3
R87	7030003860	S.RES ERJ3GE JPW V	B	93.2/96.3
R91	7030003860	S.RES ERJ3GE JPW V	T	117.5/38.5
R201	7030003320	S.RES ERJ3GEYJ 101 V (100)	B	48.1/36.6
R202	7030003800	S.RES ERJ3GEYJ 105 V (1 M)	B	52.3/44.2
R203	7030003440	S.RES ERJ3GEYJ 102 V (1 k)	B	65.4/35.7
R204	7030003360	S.RES ERJ3GEYJ 221 V (220)	B	57.9/43.5
R205	7030003440	S.RES ERJ3GEYJ 102 V (1 k)	B	56.6/43.5
R206	7030003440	S.RES ERJ3GEYJ 102 V (1 k)	B	55.3/43.5
R207	7030003520	S.RES ERJ3GEYJ 472 V (4.7 k)	B	64.7/33.1
R208	7030007220	S.RES ERA3YED 202V (2 k)	T	51.7/20.8
R209	7030007220	S.RES ERA3YED 202V (2 k)	T	51.7/23.4
R210	7030007220	S.RES ERA3YED 202V (2 k)	T	53/23.4
R211	7030007230	S.RES ERA3YED 102V (1 k)	T	53/20.8
R212	7030007220	S.RES ERA3YED 202V (2 k)	T	54.3/23.4
R213	7030007230	S.RES ERA3YED 102V (1 k)	T	54.3/20.8
R214	7030007220	S.RES ERA3YED 202V (2 k)	T	55.6/23.4
R215	7030007230	S.RES ERA3YED 102V (1 k)	T	55.6/20.8
R216	7030007220	S.RES ERA3YED 202V (2 k)	T	56.9/23.4
R217	7030007230	S.RES ERA3YED 102V (1 k)	T	56.9/20.8
R218	7030007220	S.RES ERA3YED 202V (2 k)	T	58.2/23.4
R219	7030007230	S.RES ERA3YED 102V (1 k)	T	58.2/20.8
R220	7030007220	S.RES ERA3YED 202V (2 k)	T	59.5/23.4
R221	7030007230	S.RES ERA3YED 102V (1 k)	T	59.5/20.8
R222	7030007200	S.RES ERA3YEB 202V (2 k)	T	60.8/23.4
R223	7030007210	S.RES ERA3YEB 102V (1 k)	T	60.8/20.8
R224	7030007200	S.RES ERA3YEB 202V (2 k)	T	62.1/23.4
R225	7030007210	S.RES ERA3YEB 102V (1 k)	T	62.1/20.8
R226	7030007200	S.RES ERA3YEB 202V (2 k)	T	63.4/23.4
R227	7030007210	S.RES ERA3YEB 102V (1 k)	T	63.4/20.8
R228	7030007200	S.RES ERA3YEB 202V (2 k)	T	64.7/23.4
R229	7030007210	S.RES ERA3YEB 102V (1 k)	T	64.7/20.8
R230	7030007200	S.RES ERA3YEB 202V (2 k)	T	66/23.4
R231	7030007210	S.RES ERA3YEB 102V (1 k)	T	66/20.8
R301	7030003370	S.RES ERJ3GEYJ 271 V (270)	B	72.7/40.7
R302	7030003320	S.RES ERJ3GEYJ 180 V (18)	B	73.9/40.6
R303	7030003370	S.RES ERJ3GEYJ 271 V (270)	B	73.2/42.6
R1001	7030003320	S.RES ERJ3GEYJ 101 V (100)	T	90.7/57.9
R1002	7030003800	S.RES ERJ3GEYJ 105 V (1 M)	T	94.9/60.4
R1003	7030003320	S.RES ERJ3GEYJ 101 V (100)	T	90.5/61.3
R1006	7030003560	S.RES ERJ3GEYJ 103 V (10 k)	T	82.6/80.6
R1007	7030003560	S.RES ERJ3GEYJ 103 V (10 k)	T	89.2/83.5
R1008	7030003440	S.RES ERJ3GEYJ 102 V (1 k)	T	85.5/90.4
R1009	7030003640	S.RES ERJ3GEYJ 473 V (47 k)	B	84.4/91.2
R1010	7030003860	S.RES ERJ3GE JPW V	T	79.3/89.9
R1011	7030003560	S.RES ERJ3GEYJ 103 V (10 k)	T	82.6/78
R1012	7030003560	S.RES ERJ3GEYJ 103 V (10 k)	T	72.7/69.5
R1013	7030003560	S.RES ERJ3GEYJ 103 V (10 k)	T	70.6/61.6
R1014	7030003560	S.RES ERJ3GEYJ 103 V (10 k)	T	74/69.5
R1015	7030003560	S.RES ERJ3GEYJ 103 V (10 k)	T	83.1/61.6
R1100	7030004040	S.RES ERJ3GEYJ 4R7 V (4.7)	T	53.1/57.9
R1101	7030003520	S.RES ERJ3GEYJ 472 V (4.7 k)	T	67.6/57.1
R1104	7030003520	S.RES ERJ3GEYJ 472 V (4.7 k)	T	67.5/55.2
R1303	7030003640	S.RES ERJ3GEYJ 473 V (47 k)	B	104.4/16.6
R1304	7030009591	S.RES ERA3YED 472V (4.7 k)	B	103.4/13.2
R1305	7030009591	S.RES ERA3YED 472V (4.7 k)	B	110.4/14.1
R1306	7030003320	S.RES ERJ3GEYJ 101 V (100)	B	106.6/13.6
R1307	7030003320	S.RES ERJ3GEYJ 101 V (100)	B	112.4/7
R1308	7030003860	S.RES ERJ3GE JPW V	B	110.4/16.2
R1309	7030006601	S.RES ERA3YED 272V (2.7 k)	B	96.4/24.2
R1310	7030006601	S.RES ERA3YED 272V (2.7 k)	B	107.7/24.6
R1311	7030009591	S.RES ERA3YED 472V (4.7 k)	B	117.2/25.2
R1312	7030009591	S.RES ERA3YED 472V (4.7 k)	B	116/22.4
R1313	7030010390	S.RES ERA3YED 821V (820)	B	96.4/26.9
R1314	7030010390	S.RES ERA3YED 821V (820)	B	107.7/27.3
R1315	7030003320	S.RES ERJ3GEYJ 101 V (100)	B	99.4/21
R1316	7030003320	S.RES ERJ3GEYJ 101 V (100)	B	110.6/21.1
R1317	7030003320	S.RES ERJ3GEYJ 101 V (100)	B	105.9/27.4
R1318	7030003320	S.RES ERJ3GEYJ 101 V (100)	B	117.2/27.9
R13				

[MAIN UNIT]

REF NO.	ORDER NO.	DESCRIPTION	M.	H/V LOCATION
R1320	7030009691	S.RES ERA3YED 101V (100)	B	107.7/30.1
R1331	7030005871	S.RES ERA3YKD 104V (100 k)	B	115.8/15.7
R1332	7030005871	S.RES ERA3YKD 104V (100 k)	B	118.2/15.7
R1333	7030005321	S.RES ERA3YED 103V (10 k)	B	120.9/19.7
R1334	7030009691	S.RES ERA3YED 101V (100)	B	122.1/19.7
R1335	7030005631	S.RES ERA3YKD 154V (150 k)	B	128.6/16
R1336	7030005681	S.RES ERA3YKD 473V (47 k)	B	128.6/18.4
R1337	7030005871	S.RES ERA3YKD 104V (100 k)	B	128.6/14.8
R1338	7030005871	S.RES ERA3YKD 104V (100 k)	B	124.6/19.7
R1339	7030009691	S.RES ERA3YED 101V (100)	B	123.4/19.7
R1340	7030003320	S.RES ERJ3GEYJ 101 V (100)	B	128.6/13.6
R1341	7030003320	S.RES ERJ3GEYJ 101 V (100)	B	116.9/18.6
R1351	7030003200	S.RES ERJ3GEYJ 100 V (10)	B	94.5/42.3
R1352	7030003640	S.RES ERJ3GEYJ 473 V (47 k)	B	96/46.6
R1353	7030003640	S.RES ERJ3GEYJ 473 V (47 k)	B	96/47.8
R1354	7030003460	S.RES ERJ3GEYJ 152 V (1.5 k)	B	98.3/53.1
R1355	7030003640	S.RES ERJ3GEYJ 473 V (47 k)	B	96/40.2
R1356	7030003320	S.RES ERJ3GEYJ 101 V (100)	B	96/45.3
R1359	7030003640	S.RES ERJ3GEYJ 473 V (47 k)	B	112/45.7
R1360	7030003640	S.RES ERJ3GEYJ 473 V (47 k)	B	110.5/45.7
R1361	7030003640	S.RES ERJ3GEYJ 473 V (47 k)	B	110.6/48.3
R1362	7030003800	S.RES ERJ3GEYJ 105 V (1 M)	B	73.3/46.2
R1401	7030003320	S.RES ERJ3GEYJ 101 V (100)	B	76.8/48.8
R1402	7030003860	S.RES ERJ3GE JPW V	B	74.3/48.9
R1421	7030009591	S.RES ERA3YED 472V (4.7 k)	B	78.9/42.4
R1422	7030009961	S.RES ERA3YED 221V (220)	B	77.5/36.9
R1423	7030009591	S.RES ERA3YED 472V (4.7 k)	B	77.5/42.4
R1424	7030009591	S.RES ERA3YED 472V (4.7 k)	B	76.2/42.3
R1425	7030009961	S.RES ERA3YED 221V (220)	B	76.2/36.9
R1426	7030009591	S.RES ERA3YED 472V (4.7 k)	B	78.9/36.9
R1431	7030003320	S.RES ERJ3GEYJ 101 V (100)	T	76.2/29.5
R1433	7030003320	S.RES ERJ3GEYJ 101 V (100)	T	83.5/30.2
R1441	7030009691	S.RES ERA3YED 101V (100)	B	78.9/26.5
R1451	7030005321	S.RES ERA3YED 103V (10 k)	B	83.5/42.2
R1452	7030007661	S.RES ERA3YED 331V (330)	B	82.1/38.3
R1453	7030005321	S.RES ERA3YED 103V (10 k)	B	82/42.2
R1454	7030005341	S.RES ERA3YED 332V (3.3 k)	B	80.8/40
R1455	7030007661	S.RES ERA3YED 331V (330)	B	80.8/37.1
R1456	7030005341	S.RES ERA3YED 332V (3.3 k)	B	83.5/38.3
R1457	7030006461	S.RES ERA3YED 152V (1.5 k)	T	75.7/43.5
R1458	7030006521	S.RES ERA3YED 561V (560)	T	75.7/40.9
R1471	7030009591	S.RES ERA3YED 472V (4.7 k)	B	89.5/43.5
R1472	7030009961	S.RES ERA3YED 221V (220)	B	91.1/37.8
R1473	7030009591	S.RES ERA3YED 472V (4.7 k)	B	90.8/43.5
R1474	7030009591	S.RES ERA3YED 472V (4.7 k)	B	92.1/42.3
R1475	7030009961	S.RES ERA3YED 221V (220)	B	92.4/37.8
R1476	7030009591	S.RES ERA3YED 472V (4.7 k)	B	89.8/37.8
R1477	7030009691	S.RES ERA3YED 101V (100)	B	90.8/25.8
R1478	7030003320	S.RES ERJ3GEYJ 101 V (100)	T	86.1/30.2
R1479	7030003320	S.RES ERJ3GEYJ 101 V (100)	T	92.1/22.9
R1491	7030005321	S.RES ERA3YED 103V (10 k)	B	87.8/42.2
R1492	7030009961	S.RES ERA3YED 221V (220)	B	86.6/37.8
R1493	7030005321	S.RES ERA3YED 103V (10 k)	B	86.4/42.2
R1494	7030008061	S.RES ERA3YED 222V (2.2 k)	B	85.2/42.2
R1495	7030009961	S.RES ERA3YED 221V (220)	B	85.4/37.8
R1496	7030008061	S.RES ERA3YED 222V (2.2 k)	B	87.8/37.8
R1497	7030009691	S.RES ERA3YED 101V (100)	B	88.2/25.8
R1601	7030003600	S.RES ERJ3GEYJ 223 V (22 k)	B	68.4/97.8
R2001	7030003600	S.RES ERJ3GEYJ 223 V (22 k)	B	124.8/98
R2102	7030003860	S.RES ERJ3GE JPW V	T	98.7/63.2
R2201	7030003200	S.RES ERJ3GEYJ 100 V (10)	T	120/38.8
R2202	7030003200	S.RES ERJ3GEYJ 100 V (10)	T	124.2/41.1
R2203	7030010600	S.RES ERA3YHD 150V (15)	B	119.3/44.5
R2204	7030006521	S.RES ERA3YED 561V (560)	B	120.1/42.3
R2205	7030008061	S.RES ERA3YED 222V (2.2 k)	T	118.3/40.4
R2206	7030005451	S.RES ERA3YED 153V (15 k)	T	118.8/41.7
R2207	7030005321	S.RES ERA3YED 103V (10 k)	T	118.8/42.9
R2301	7030003560	S.RES ERJ3GEYJ 103 V (10 k)	B	112.6/55
R2302	7030003320	S.RES ERJ3GEYJ 101 V (100)	T	118.5/53
R2303	7030003560	S.RES ERJ3GEYJ 103 V (10 k)	B	113.4/58.3
R2304	7030003560	S.RES ERJ3GEYJ 103 V (10 k)	B	117.1/60.6
R2305	7030003560	S.RES ERJ3GEYJ 103 V (10 k)	B	113.4/57
R2306	7030003560	S.RES ERJ3GEYJ 103 V (10 k)	B	117.1/59.3
R2307	7030003320	S.RES ERJ3GEYJ 101 V (100)	B	125.3/55.7
R2401	7030003280	S.RES ERJ3GEYJ 470 V (47 k)	T	125.1/61.5
R2402	7030003560	S.RES ERJ3GEYJ 103 V (10 k)	T	123.5/69.4
R2403	7030003280	S.RES ERJ3GEYJ 470 V (47 k)	T	122.5/61.5
R2404	7030003560	S.RES ERJ3GEYJ 103 V (10 k)	T	127.8/61.5
R2405	7030003560	S.RES ERJ3GEYJ 103 V (10 k)	T	118.1/69.9
R2406	7030003560	S.RES ERJ3GEYJ 103 V (10 k)	B	105/70.5
R2408	7030003560	S.RES ERJ3GEYJ 103 V (10 k)	T	115.7/69.4
R2409	7030003860	S.RES ERJ3GE JPW V	T	122.7/88.9
R2410	7030003560	S.RES ERJ3GEYJ 103 V (10 k)	T	115.3/62.8
R2411	7030003440	S.RES ERJ3GEYJ 102 V (1 k)	T	129/88.9
R2412	7030003440	S.RES ERJ3GEYJ 102 V (1 k)	T	129.4/90.2
R2413	7030003440	S.RES ERJ3GEYJ 102 V (1 k)	T	134.5/84.1
R2414	7030003440	S.RES ERJ3GEYJ 102 V (1 k)	T	126.6/81.8
R2415	7030003440	S.RES ERJ3GEYJ 102 V (1 k)	T	126.6/77.9
R2416	7030003560	S.RES ERJ3GEYJ 103 V (10 k)	T	105.7/83.3
R2417	7030003560	S.RES ERJ3GEYJ 103 V (10 k)	T	105.7/86.8
R2418	7030003520	S.RES ERJ3GEYJ 472 V (4.7 k)	T	126.5/74
R2419	7030003520	S.RES ERJ3GEYJ 472 V (4.7 k)	T	133.2/73.7
R2420	7030003440	S.RES ERJ3GEYJ 102 V (1 k)	T	134.5/65
R2421	7030003860	S.RES ERJ3GE JPW V	T	131.1/61.5
R2422	7030004040	S.RES ERJ3GEYJ 4R7 V (4.7)	T	128.7/37
R2451	7030004040	S.RES ERJ3GEYJ 4R7 V (4.7)	T	129.8/58.1
R2452	7030003800	S.RES ERJ3GEYJ 105 V (1 M)	T	134.4/58.6
R2453	7030004040	S.RES ERJ3GEYJ 4R7 V (4.7)	T	129.8/54.6
R2454	7030003320	S.RES ERJ3GEYJ 101 V (100)	T	134.4/55.3
R3097	7030007200	S.RES ERA3YEB 202V (2 k)	T	25.8/46.5
R3098	7030007210	S.RES ERA3YEB 102V (1 k)	T	25.8/49.1
R3099	7030007200	S.RES ERA3YEB 202V (2 k)	T	27.1/46.5
R3100	7030007210	S.RES ERA3YEB 102V (1 k)	T	27.1/49.1
R3101	7030007200	S.RES ERA3YEB 202V (2 k)	T	28.4/46.5

[MAIN UNIT]

REF NO.	ORDER NO.	DESCRIPTION	M.	H/V LOCATION
R3102	7030007210	S.RES ERA3YEB 102V (1 k)	T	28.4/49.1
R3103	7030007200	S.RES ERA3YEB 202V (2 k)	T	29.7/46.5
R3104	7030007210	S.RES ERA3YEB 102V (1 k)	T	29.7/49.1
R3105	7030007200	S.RES ERA3YEB 202V (2 k)	T	31/46.5
R3106	7030007210	S.RES ERA3YEB 102V (1 k)	T	31/49.1
R3107	7030007220	S.RES ERA3YED 202V (2 k)	T	32.3/46.5
R3108	7030007230	S.RES ERA3YED 102V (1 k)	T	32.3/49.1
R3109	7030007220	S.RES ERA3YED 202V (2 k)	T	33.6/46.5
R3110	7030007230	S.RES ERA3YED 102V (1 k)	T	33.6/49.1
R3111	7030007220	S.RES ERA3YED 202V (2 k)	T	34.9/46.5
R3112	7030007230	S.RES ERA3YED 102V (1 k)	T	34.9/49.1
R3113	7030007220	S.RES ERA3YED 202V (2 k)	T	36.2/46.5
R3114	7030007230	S.RES ERA3YED 102V (1 k)	T	36.2/49.1
R3115	7030007220	S.RES ERA3YED 202V (2 k)	T	37.5/46.5
R3116	7030007230	S.RES ERA3YED 102V (1 k)	T	37.5/49.1
R3117	7030007220	S.RES ERA3YED 202V (2 k)	T	38.8/46.5
R3118	7030007230	S.RES ERA3YED 102V (1 k)	T	38.8/49.1
R3119	7030007220	S.RES ERA3YED 202V (2 k)	T	40.1/46.5
R3120	7030007220	S.RES ERA3YED 202V (2 k)	T	40.1/49.1
R3121	7030003250	S.RES ERJ3GEYJ 472 V (4.7 k)	B	25.7/34.3
R3131	7030003800	S.RES ERJ3GEYJ 105 V (1 M)	B	39.9/33.4
R3132	7030003320	S.RES ERJ3GEYJ 101 V (100)	B	44.4/32
R3141	7030003440	S.RES ERJ3GEYJ 102 V (1 k)	B	24.9/36.2
R3142	7030003360	S.RES ERJ3GEYJ 221 V (220)	B	37.9/27.2
R3143	7030003440	S.RES ERJ3GEYJ 102 V (1 k)	B	39.4/26.4
R3144	7030003440	S.RES ERJ3GEYJ 102 V (1 k)	B	36.3/26.4
R3151	7030003370	S.RES ERJ3GEYJ 271 V (270)	B	19.8/46.5
R3152	7030003230	S.RES ERJ3GEYJ 180 V (18)	B	17.7/45.8
R3153	7030003370	S.RES ERJ3GEYJ 271 V (270)	B	19.8/45.1
R3201	7030003370	S.RES ERJ3GEYJ 271 V (270)	T	9.1/17.4
R3202	7030003230	S.RES ERJ3GEYJ 180 V (18)	T	11/18.2
R3203	7030003370	S.RES ERJ3GEYJ 271 V (270)	T	9.1/18.9
R3221	7030003280	S.RES ERJ3GEYJ 470 V (47 k)	B	13/34.4
R3222	7030003440	S.RES ERJ3GEYJ 102 V (1 k)	T	15.4/40.1
R3227	7030003860	S.RES ERJ3GE JPW V	T	19.7/54.1
R3228	7030003320	S.RES ERJ3GEYJ 101 V (100)	T	17.5/58.8
R3229	7030003440	S.RES ERJ3GEYJ 102 V (1 k)	T	19.7/56.9
R3231	7030003650	S.RES ERJ3GEYJ 563 V (56 k)	T	21.1/48.6
R3232	7030003860	S.RES ERJ3GE JPW V	T	16.4/46.7
R3233	7030003360	S.RES ERJ3GEYJ 221 V (220)	T	20.5/51.1
R3251	7030003640	S.RES ERJ3GEYJ 473 V (47 k)	T	44.9/79
R3252	7030003680	S.RES ERJ3GEYJ 104 V (100 k)	T	44.9/82.4
R3253	7030003680	S.RES ERJ3GEYJ 104 V (100 k)	T	44.9/80.4
R3254	7030003680	S.RES ERJ3GEYJ 104 V (100 k)	T	44.9/78.8
R3255	7030003360	S.RES ERJ3GEYJ 221 V (220)	B	20/90
R3256	7030003360	S.RES ERJ3GEYJ 221 V (220)	B	21.3/90
R3257	7030003360	S.RES ERJ3GEYJ 221 V (220)	B	22.6/90
R3258	7030003360	S.RES ERJ3GEYJ 221 V (220)	B	23.9/90
R3259	7030003360	S.RES ERJ3GEYJ 221 V (220)	B	25.2/90
R3260	7030003360	S.RES ERJ3GEYJ 221 V (220)	B	26.5/90
R3261	7030003360	S.RES ERJ3GEYJ 221 V (220)	B	27.8/90
R3262	7030003360	S.RES ERJ3GEYJ 221 V (220)	B	29.1/90
R3263	7030003360	S.RES ERJ3GEYJ 221 V (220)	B	30.4/90
R3264	7030003360	S.RES ERJ3GEYJ 221 V (220)	B	31.7/90
R3265	7030003360	S.RES ERJ3GEYJ 221 V (220)	B	33/90
R3271	7030003320	S.RES ERJ3GEYJ 101 V (100)	B	15/66.3
R3272	7030003320	S.RES ERJ3GEYJ 101 V (100)	B	11.1/66.3
R3281	7030003860	S.RES ERJ3GE JPW V	B	25.2/75.2
R3282	7030003630	S.RES ERJ3GEYJ 393 V (39 k)	B	24.4/72.4
R3283	7030003580	S.RES ERJ3GEYJ 153 V (15 k)	B	17.1/75.9
R3284	7030003370	S.RES ERJ3GEYJ 274 V (270 k)	B	19.5/71.8
R3285	7030003730	S.RES ERJ3GEYJ 274 V (270 k)	B	17.8/73.8
R3291	7030003560	S.RES ERJ3GEYJ 103 V (10 k)	B	5.6/75.3
R3292	7030003650	S.RES ERJ3GEYJ 563 V (56 k)	B	6.9/75.3
R3293	7030003650	S.RES ERJ3GEYJ 563 V (56 k)	B	6.7/73.1
R3294	7030003520	S.RES ERJ3GEYJ 472 V (4.7 k)	B	7.6/71.8
R3295	7030003320	S.RES ERJ3GEYJ 101 V (100)	B	9.5/75.3
R3301	7030003560	S.RES ERJ3GEYJ 103 V (10 k)	B	5.6/67
R3302	7030003680	S.RES ERJ3GEYJ 104 V (100 k)	B	6.9/67
R3303	7030003860	S.RES ERJ3GE JPW V	B	7.6/69.2
R3304	7030003520	S.RES ERJ3GEYJ 472 V (4.7 k)	B	7.6/70.5
R3305	7030003320	S.RES ERJ3GEYJ 101 V (100)	B	9.5/67
R3311	7030003560	S.RES ERJ3GEYJ 103 V (10 k)	B	20.6/65.9
R3312	7030003560	S.RES ERJ3GEYJ 103 V (10 k)	B	19.1/67
R3313	7030003680	S.RES ERJ3GE JPW V	B	18.

[MAIN UNIT]

REF NO.	ORDER NO.	DESCRIPTION	M.	H/V LOCATION
C201	4030011600	S.CER C1608 JB 1E 104K-T	T	59.6/47.4
C202	4030006880	S.CER C1608 JB 1H 472K-T	B	51.6/41.7
C203	4510008540	S.ELE EEE1CA100SR	T	63.7/48.3
C204	4030011600	S.CER C1608 JB 1E 104K-T	T	66.2/45.3
C205	4030011600	S.CER C1608 JB 1E 104K-T	T	50.7/43.8
C206	4030006880	S.CER C1608 JB 1H 472K-T	T	66.2/44
C207	4030011600	S.CER C1608 JB 1E 104K-T	T	50.7/41.2
C208	4030011600	S.CER C1608 JB 1E 104K-T	T	49.4/37
C209	4030011600	S.CER C1608 JB 1E 104K-T	T	49.4/34.4
C210	4030011600	S.CER C1608 JB 1E 104K-T	T	49.8/29.1
C211	4030011600	S.CER C1608 JB 1E 104K-T	B	53/28.8
C212	4030011600	S.CER C1608 JB 1E 104K-T	B	55.7/28.8
C213	4030011600	S.CER C1608 JB 1E 104K-T	B	61.4/27.9
C214	4030011600	S.CER C1608 JB 1E 104K-T	T	66.8/26.3
C215	4030011600	S.CER C1608 JB 1E 104K-T	B	64.8/28.6
C216	4030011600	S.CER C1608 JB 1E 104K-T	B	67.4/32.4
C217	4030011600	S.CER C1608 JB 1E 104K-T	B	67.4/34
C218	4030011600	S.CER C1608 JB 1E 104K-T	B	65.4/37.9
C219	4030011600	S.CER C1608 JB 1E 104K-T	T	67.1/42
C220	4030011600	S.CER C1608 JB 1E 104K-T	T	64.1/44.3
C221	4030011600	S.CER C1608 JB 1E 104K-T	T	61.3/44.1
C222	4030011600	S.CER C1608 JB 1E 104K-T	T	58.1/43.6
C301	4030007100	S.CER C1608 CH 1H 560J-T	T	67.6/23.4
C302	4030007160	S.CER C1608 CH 1H 181J-T	B	68.5/24.2
C303	4030007140	S.CER C1608 CH 1H 121J-T	B	71.5/25.5
C304	4030011330	S.CER C1608 CH 1H 391J-T	B	71.5/28.3
C305	4030007080	S.CER C1608 CH 1H 390J-T	B	73.7/29.1
C306	4030011280	S.CER C1608 CH 1H 271J-T	B	70.9/33.5
C307	4030010760	S.CER C1608 CH 1H 331J-T	B	73.1/34.1
C308	4030018580	S.CER C1608 CH 1H 821J-T	B	70.9/34.8
C309	4030010760	S.CER C1608 CH 1H 331J-T	B	73.1/37.6
C1001	4030011600	S.CER C1608 JB 1E 104K-T	T	92.7/57.6
C1002	4030007030	S.CER C1608 CH 1H 150J-T	T	94.9/57.6
C1003	4510007130	S.ELE EEFCD QJ 470R	B	76.3/95
C1004	4030007030	S.CER C1608 CH 1H 150J-T	T	94.9/63.2
C1005	4510007130	S.ELE EEFCD QJ 470R	B	71.5/95
C1006	4030011600	S.CER C1608 JB 1E 104K-T	T	92.7/61.4
C1007	4030011600	S.CER C1608 JB 1E 104K-T	B	90.9/69.3
C1008	4510008540	S.ELE EEE1CA100SR	T	86.6/59.1
C1009	4030011600	S.CER C1608 JB 1E 104K-T	T	63.1/86.9
C1010	4030011600	S.CER C1608 JB 1E 104K-T	T	62.9/65.1
C1011	4030011600	S.CER C1608 JB 1E 104K-T	T	65.2/89
C1012	4030011600	S.CER C1608 JB 1E 104K-T	T	65.2/62.9
C1013	4030011600	S.CER C1608 JB 1E 104K-T	T	69.6/81.4
C1014	4030011600	S.CER C1608 JB 1E 104K-T	T	69.6/80.2
C1015	4030011600	S.CER C1608 JB 1E 104K-T	T	69.6/76.1
C1016	4030011600	S.CER C1608 JB 1E 104K-T	T	69.6/74.9
C1017	4030011600	S.CER C1608 JB 1E 104K-T	T	69.6/71.4
C1018	4030011600	S.CER C1608 JB 1E 104K-T	T	71.5/82.5
C1019	4030011600	S.CER C1608 JB 1E 104K-T	T	70.8/68.7
C1020	4030011600	S.CER C1608 JB 1E 104K-T	T	76.2/89.1
C1021	4030011600	S.CER C1608 JB 1E 104K-T	T	76.1/82.4
C1022	4030011600	S.CER C1608 JB 1E 104K-T	T	75.3/69.5
C1023	4030011600	S.CER C1608 JB 1E 104K-T	T	77.3/82.4
C1024	4030011600	S.CER C1608 JB 1E 104K-T	T	77.4/68.7
C1025	4030011600	S.CER C1608 JB 1E 104K-T	T	76.7/82.9
C1026	4030011600	S.CER C1608 JB 1E 104K-T	T	80.7/82.5
C1027	4030011600	S.CER C1608 JB 1E 104K-T	T	82.2/69.5
C1028	4030011600	S.CER C1608 JB 1E 104K-T	T	82.6/81.9
C1029	4030011600	S.CER C1608 JB 1E 104K-T	T	82.6/79.3
C1030	4030011600	S.CER C1608 JB 1E 104K-T	T	82.6/76.7
C1031	4030011600	S.CER C1608 JB 1E 104K-T	T	82.6/72.6
C1032	4030011600	S.CER C1608 JB 1E 104K-T	T	83.4/69.5
C1033	4030011600	S.CER C1608 JB 1E 104K-T	T	86.3/89.1
C1034	4030011600	S.CER C1608 JB 1E 104K-T	T	82.6/71.4
C1035	4030011600	S.CER C1608 JB 1E 104K-T	T	85.8/62.9
C1036	4030011600	S.CER C1608 JB 1E 104K-T	T	89.1/89.1
C1037	4030011600	S.CER C1608 JB 1E 104K-T	T	88.4/62.9
C1038	4030011600	S.CER C1608 JB 1E 104K-T	T	89.2/76.6
C1039	4030011600	S.CER C1608 JB 1E 104K-T	T	89.2/74
C1040	4030011600	S.CER C1608 JB 1E 104K-T	B	89.9/66
C1041	4030011600	S.CER C1608 JB 1E 104K-T	T	63.1/84.3
C1042	4030011600	S.CER C1608 JB 1E 104K-T	T	62.9/70.8
C1043	4030011600	S.CER C1608 JB 1E 104K-T	T	62.9/77.3
C1044	4030011600	S.CER C1608 JB 1E 104K-T	T	62.9/74
C1045	4030011600	S.CER C1608 JB 1E 104K-T	T	62.9/67.8
C1046	4030011600	S.CER C1608 JB 1E 104K-T	T	68/89
C1047	4030011600	S.CER C1608 JB 1E 104K-T	T	63.1/81.7
C1048	4030011600	S.CER C1608 JB 1E 104K-T	T	69.6/78.5
C1049	4030011600	S.CER C1608 JB 1E 104K-T	T	69.6/82.6
C1050	4030011600	S.CER C1608 JB 1E 104K-T	T	69.6/77.3
C1051	4030011600	S.CER C1608 JB 1E 104K-T	T	69.6/72.6
C1052	4030011600	S.CER C1608 JB 1E 104K-T	T	68.8/69.5
C1053	4030011600	S.CER C1608 JB 1E 104K-T	T	67.8/62.9
C1054	4030011600	S.CER C1608 JB 1E 104K-T	T	72.7/82.5
C1055	4030011600	S.CER C1608 JB 1E 104K-T	T	70.6/62.9
C1056	4030011600	S.CER C1608 JB 1E 104K-T	T	74.9/82.4
C1057	4030011600	S.CER C1608 JB 1E 104K-T	T	79.5/62.9
C1058	4030011600	S.CER C1608 JB 1E 104K-T	T	78.7/82.5
C1059	4030011600	S.CER C1608 JB 1E 104K-T	T	81/69.5
C1060	4030011600	S.CER C1608 JB 1E 104K-T	T	83.5/89.1
C1061	4030011600	S.CER C1608 JB 1E 104K-T	T	82.6/83.2
C1062	4030011600	S.CER C1608 JB 1E 104K-T	T	83.1/62.9
C1063	4030011600	S.CER C1608 JB 1E 104K-T	T	83.3/74.7
C1064	4030011600	S.CER C1608 JB 1E 104K-T	T	89.2/80.4
C1065	4030011600	S.CER C1608 JB 1E 104K-T	T	89.2/71.4
C1066	4030011600	S.CER C1608 JB 1E 104K-T	T	89.2/65.1
C1067	4030011600	S.CER C1608 JB 1E 104K-T	T	89.2/86.1
C1068	4510008540	S.ELE EEE1CA100SR	T	50.1/61
C1201	4030011600	S.CER C1608 JB 1E 104K-T	T	53/64.1
C1302	4030011600	S.CER C1608 JB 1E 104K-T	B	100.4/18.5
C1303	4030011600	S.CER C1608 JB 1E 104K-T	B	101.7/14.7
C1305	4510008540	S.ELE EEE1CA100SR	T	110/67
C1306	4030011600	S.CER C1608 JB 1E 104K-T	B	105.8/11.6

[MAIN UNIT]

REF NO.	ORDER NO.	DESCRIPTION	M.	H/V LOCATION
C1307	4030007050	S.CER C1608 CH 1H 220J-T	B	115.3/10.3
C1308	4510008540	S.ELE EEE1CA100SR	T	115/6.8
C1309	4030011600	S.CER C1608 JB 1E 104K-T	B	109/77.7
C1310	4550007090	S.TAN TEESVA 1A 226M8R	B	97.1/20.1
C1311	4550007090	S.TAN TEESVA 1A 226M8R	B	108.4/20.6
C1312	4510008540	S.ELE EEE1CA100SR	T	120/22.5
C1313	4030011600	S.CER C1608 JB 1E 104K-T	B	104.7/24.1
C1314	4030011600	S.CER C1608 JB 1E 104K-T	B	115.9/25.2
C1315	4030011600	S.CER C1608 JB 1E 104K-T	B	97.7/24.2
C1316	4030011600	S.CER C1608 JB 1E 104K-T	B	109/24.6
C1317	4030017810	S.CER C1608 CH 1H 102J-T	B	97.7/26.9
C1318	4510008540	S.ELE EEE1CA100SR	T	105/22.5
C1319	4030017810	S.CER C1608 CH 1H 102J-T	B	109/27.3
C1320	4510008540	S.ELE EEE1CA100SR	T	113.5/22.5
C1321	4030007050	S.CER C1608 CH 1H 220J-T	B	97.7/29.6
C1322	4030007050	S.CER C1608 CH 1H 220J-T	B	109/30.1
C1323	4510008540	S.ELE EEE1CA100SR	T	107.1/28.2
C1324	4510008540	S.ELE EEE1CA100SR	T	125.5/30.6
C1325	4030011600	S.CER C1608 JB 1E 104K-T	B	104.6/27.3
C1326	4030011600	S.CER C1608 JB 1E 104K-T	B	115.9/27.9
C1331	4030017490	S.CER C1608 JB 1A 105K-T	B	117/15.7
C1332	4030007090	S.CER C1608 CH 1H 470J-T	B	121.5/17.8
C1333	4030017490	S.CER C1608 JB 1A 105K-T	B	128.6/17.2
C1334	4030007090	S.CER C1608 CH 1H 470J-T	B	124.2/17.8
C1335	4030011600	S.CER C1608 JB 1E 104K-T	B	128.6/12.4
C1336	4510008540	S.ELE EEE1CA100SR	T	127/14
C1337	4030011600	S.CER C1608 JB 1E 104K-T	B	118.2/18.6
C1338	4510008540	S.ELE EEE1CA100SR	T	122/14
C1339	4030011600	S.CER C1608 JB 1E 104K-T	B	120.2/22.6
C1340	4030011600	S.CER C1608 JB 1E 104K-T	B	123.4/26
C1351	4030018620	S.CER C1608 CH 1H 222J-T	B	96.6/38
C1352	4510008540	S.ELE EEE1CA100SR	T	93/40.5
C1353	4030011600	S.CER C1608 JB 1E 104K-T	B	96.7/42.5
C1354	4510008540	S.ELE EEE1CA100SR	T	98.5/34
C1355	4510008540	S.ELE EEE1CA100SR	T	98.5/40.5
C1356	4030011810	S.CER C1608 JB 1A 224K-T	B	101.9/31.8
C1357	4030011810	S.CER C1608 JB 1A 224K-T	B	96.8/34.4
C1360	4030011810	S.CER C1608 JB 1A 224K-T	B	105.4/31.8
C1361	4030018620	S.CER C1608 CH 1H 222J-T	B	110/38.2
C1362	4030011810	S.CER C1608 JB 1A 224K-T	B	110.1/34.6
C1363	4510008540	S.ELE EEE1CA100SR	T	109/34
C1364	4510008540	S.ELE EEE1CA100SR	T	104/34
C1365	4030011600	S.CER C1608 JB 1E 104K-T	B	109.9/41.2
C1366	4510008540	S.ELE EEE1CA100SR	T	108.5/40.5
C1367	4030011600	S.CER C1608 JB 1E 104K-T	B	70.4/52.6
C1368	4030011600	S.CER C1608 JB 1E 104K-T	B	71.4/48.3
C1369	4030006860	S.CER C1608 JB 1H 102K-T	B	73.2/43.9
C1401	4510008540	S.ELE EEE1CA100SR	T	86.5/51.7
C1402	4030011600	S.CER C1608 JB 1E 104K-T	B	87.2/55.2
C1403	4030011600	S.CER C1608 JB 1E 104K-T	B	77.3/45.8
C1404	4030011600	S.CER C1608 JB 1E 104K-T	B	77.3/52.7
C1405	4510008540	S.ELE EEE1CA100SR	T	78.4/46.3
C1421	4030018640	S.CER C2012 CH 1H 103J-T	B	77.9/39
C1422	4030018610	S.CER C1608 CH 1H 182J-T	B	78.1/35.1
C1423	4030018620	S.CER C1608 CH 1H 222J-T	B	78.1/40.5
C1425	4030018610	S.CER C1608 CH 1H 182J-T	B	76.2/34.3
C1427	4030011600	S.CER C1608 JB 1E 104K-T	T	78.2/30.2
C1429	4510008540	S.ELE EEE1CA100SR	T	76.4/34
C1433	4510008540	S.ELE EEE1CA100SR	T	81.6/34
C1435	4030011600	S.CER C1608 JB 1E 104K-T	T	80.9/30.2
C1451	4030018620	S.CER C1608 CH 1H 222J-T	B	82.7/40.3
C1452	4030017870	S.CER C1608 CH 1H 681J-T	B	82.9/36.2
C1453	4030011600	S.CER C1608 JB 1E 104K-T	B	80.8/43.1
C1454	4510009050	S.ELE EEE0GA101SR	T	79.5/40.5
C1455	4030017870	S.CER C1608 CH 1H 681J-T	B	80.8/34.7
C1471	4030018640	S.CER C2012 CH 1H 103J-T	B	90.7/40.1
C1472	4030018610	S.CER C1608 CH 1H 182J-T	B	90.5/35.9
C1473	4030018620	S.CER C1608 CH 1H 222J-T	B	90.3/41.6
C1475	4030018610	S.CER C1608 CH 1H 182J-T	B	93.7/37.8
C1476	4030011600	S.CER C1608 JB 1E 104K-T	T	89.9/32.7
C1477	4510008540	S.ELE EEE1CA100SR	T	86.9/34
C1478	4030011600	S.CER C1608 JB 1E 104K-T	B	93.1/26.5
C1479	451000			

[MAIN UNIT]

REF NO.	ORDER NO.	DESCRIPTION	M.	H/V LOCATION
C2351	4030011600	S.CER C1608 JB 1E 104K-T	B	127.2/49.8
C2401	4030011600	S.CER C1608 JB 1E 104K-T	T	125.7/59.4
C2402	4510008540	S.ELE EEE1CA100SR	T	126/56.1
C2403	4030011600	S.CER C1608 JB 1E 104K-T	T	133.2/83.5
C2404	4030011600	S.CER C1608 JB 1E 104K-T	T	133.2/65
C2405	4030011600	S.CER C1608 JB 1E 104K-T	T	133.2/70.9
C2406	4030011600	S.CER C1608 JB 1E 104K-T	T	133.2/80.7
C2407	4030011600	S.CER C1608 JB 1E 104K-T	T	126.6/75.3
C2408	4030011600	S.CER C1608 JB 1E 104K-T	T	126.7/62.8
C2409	4030011600	S.CER C1608 JB 1E 104K-T	T	126.6/83.1
C2410	4030011600	S.CER C1608 JB 1E 104K-T	T	126.2/88.9
C2411	4030011600	S.CER C1608 JB 1E 104K-T	T	124.8/69.4
C2412	4030011600	S.CER C1608 JB 1E 104K-T	T	122.8/82.3
C2413	4030011600	S.CER C1608 JB 1E 104K-T	T	122.8/62.8
C2414	4030011600	S.CER C1608 JB 1E 104K-T	T	118.8/82.3
C2415	4030011600	S.CER C1608 JB 1E 104K-T	T	115.9/61.5
C2416	4030011600	S.CER C1608 JB 1E 104K-T	T	117/82.3
C2417	4030011600	S.CER C1608 JB 1E 104K-T	T	112/62.8
C2418	4030011600	S.CER C1608 JB 1E 104K-T	T	113.1/69.4
C2419	4030011600	S.CER C1608 JB 1E 104K-T	T	113.7/72.7
C2420	4030011600	S.CER C1608 JB 1E 104K-T	T	113.7/77.4
C2421	4030011600	S.CER C1608 JB 1E 104K-T	T	113.7/82.9
C2422	4030011600	S.CER C1608 JB 1E 104K-T	T	113.7/79
C2423	4030011600	S.CER C1608 JB 1E 104K-T	T	107/80.2
C2424	4030011600	S.CER C1608 JB 1E 104K-T	T	112.3/88.9
C2425	4030011600	S.CER C1608 JB 1E 104K-T	T	107/67.7
C2426	4030011600	S.CER C1608 JB 1E 104K-T	T	107/74.8
C2427	4030011600	S.CER C1608 JB 1E 104K-T	T	107/77.5
C2428	4030011600	S.CER C1608 JB 1E 104K-T	T	107/70.5
C2429	4030011600	S.CER C1608 JB 1E 104K-T	T	107/83.3
C2430	4030011600	S.CER C1608 JB 1E 104K-T	T	134.5/72.8
C2431	4030011600	S.CER C1608 JB 1E 104K-T	B	133.9/76
C2432	4030011600	S.CER C1608 JB 1E 104K-T	T	134.5/76.4
C2433	4030011600	S.CER C1608 JB 1E 104K-T	T	133.1/62.8
C2434	4030011600	S.CER C1608 JB 1E 104K-T	T	133.2/86.7
C2435	4030011600	S.CER C1608 JB 1E 104K-T	T	130.1/62.8
C2436	4030011600	S.CER C1608 JB 1E 104K-T	T	126.6/72.7
C2437	4030011600	S.CER C1608 JB 1E 104K-T	T	131.8/88.9
C2438	4030011600	S.CER C1608 JB 1E 104K-T	T	127.4/69.4
C2439	4030011600	S.CER C1608 JB 1E 104K-T	T	126.6/71.4
C2440	4030011600	S.CER C1608 JB 1E 104K-T	T	126.6/76.6
C2441	4030011600	S.CER C1608 JB 1E 104K-T	T	126.6/79.2
C2442	4030011600	S.CER C1608 JB 1E 104K-T	T	126.6/80.5
C2443	4030011600	S.CER C1608 JB 1E 104K-T	T	126.1/69.4
C2444	4030011600	S.CER C1608 JB 1E 104K-T	T	124.6/82.3
C2445	4030011600	S.CER C1608 JB 1E 104K-T	T	120.1/62.8
C2446	4030011600	S.CER C1608 JB 1E 104K-T	T	121.5/68.6
C2447	4030011600	S.CER C1608 JB 1E 104K-T	T	121.4/82.3
C2448	4030011600	S.CER C1608 JB 1E 104K-T	T	118.8/68.6
C2449	4030011600	S.CER C1608 JB 1E 104K-T	T	120.1/82.3
C2450	4030011600	S.CER C1608 JB 1E 104K-T	T	119.9/88.9
C2451	4030011600	S.CER C1608 JB 1E 104K-T	T	114.4/69.4
C2452	4030011600	S.CER C1608 JB 1E 104K-T	T	115.7/82.3
C2453	4030011600	S.CER C1608 JB 1E 104K-T	T	113.7/71.4
C2454	4030011600	S.CER C1608 JB 1E 104K-T	T	113.7/74.8
C2455	4030011600	S.CER C1608 JB 1E 104K-T	T	113.7/76.1
C2456	4030011600	S.CER C1608 JB 1E 104K-T	T	113.7/80.3
C2457	4030011600	S.CER C1608 JB 1E 104K-T	T	133.2/68.1
C2458	4030011600	S.CER C1608 JB 1E 104K-T	T	113.7/81.6
C2459	4030011600	S.CER C1608 JB 1E 104K-T	T	109.2/62.8
C2460	4030011600	S.CER C1608 JB 1E 104K-T	T	109.5/88.9
C2461	4030011600	S.CER C1608 JB 1E 104K-T	T	107/64.9
C2462	4030011600	S.CER C1608 JB 1E 104K-T	T	107/86.8
C2463	4030011600	S.CER C1608 JB 1E 104K-T	T	132.1/57.7
C2464	4030011600	S.CER C1608 JB 1E 104K-T	T	132.2/53.5
C2465	4030006900	S.CER C1608 JB 1H 103K-T	T	134.4/52.5
C2481	4550007310	S.TAN F930J227MNNBMA	B	108/57.5
C2482	4550007310	S.TAN F930J227MNNBMA	B	103.2/57.5
C2483	4550006960	S.TAN TEESVB2 0G 107M8R	T	119.6/94.3
C3101	4510008540	S.ELE EEE1CA100SR	T	28.1/21.6
C3102	4030011600	S.CER C1608 JB 1E 104K-T	T	25.6/25.9
C3103	4030006880	S.CER C1608 JB 1H 472K-T	T	25.6/24.7
C3104	4030011600	S.CER C1608 JB 1E 104K-T	T	42.3/29.7
C3105	4030011600	S.CER C1608 JB 1E 104K-T	T	42.3/33.2
C3106	4030011600	S.CER C1608 JB 1E 104K-T	T	42.3/35.8
C3107	4030011600	S.CER C1608 JB 1E 104K-T	T	42.3/40.7
C3108	4030011600	S.CER C1608 JB 1E 104K-T	T	40.1/43.6
C3109	4030011600	S.CER C1608 JB 1E 104K-T	B	36.7/42.9
C3110	4030011600	S.CER C1608 JB 1E 104K-T	B	29.7/42.8
C3111	4030011600	S.CER C1608 JB 1E 104K-T	T	24.9/44
C3112	4030011600	S.CER C1608 JB 1E 104K-T	B	27.4/41.2
C3113	4030011600	S.CER C1608 JB 1E 104K-T	B	25.7/38.3
C3114	4030011600	S.CER C1608 JB 1E 104K-T	B	27.6/36.2
C3115	4030011600	S.CER C1608 JB 1E 104K-T	B	27.3/32.7
C3116	4030011600	S.CER C1608 JB 1E 104K-T	T	24.9/27.9
C3117	4030011600	S.CER C1608 JB 1E 104K-T	T	28/25.5
C3118	4030011600	S.CER C1608 JB 1E 104K-T	T	30/25.5
C3119	4030011600	S.CER C1608 JB 1E 104K-T	T	34/26.3
C3131	4030011600	S.CER C1608 JB 1E 104K-T	T	40.7/26.6
C3132	4030006880	S.CER C1608 JB 1H 472K-T	B	41.4/32
C3141	4030011600	S.CER C1608 JB 1E 104K-T	T	32.3/22.6
C3151	4030006900	S.CER C1608 JB 1H 103K-T	T	24.5/47.3
C3153	4030007080	S.CER C1608 CH 1H 390J-T	B	23.6/47
C3154	4030010760	S.CER C1608 CH 1H 331J-T	B	19.8/47.8
C3155	4030007090	S.CER C1608 CH 1H 470J-T	B	17.7/43.1
C3156	4030007060	S.CER C1608 CH 1H 270J-T	B	19/43.1
C3157	4030011770	S.CER C1608 CH 1H 060B-T	B	18.5/41.1
C3158	4030007120	S.CER C1608 CH 1H 820J-T	B	18.5/39.8
C3159	4030007040	S.CER C1608 CH 1H 180J-T	B	17.7/37.3
C3160	4030007120	S.CER C1608 CH 1H 820J-T	B	19.8/30.5
C3161	4030011770	S.CER C1608 CH 1H 060B-T	B	19.8/31.8
C3162	4030007090	S.CER C1608 CH 1H 470J-T	B	16.9/34.9
C3163	4030007060	S.CER C1608 CH 1H 270J-T	B	16.9/33.6
C3201	4030007110	S.CER C1608 CH 1H 680J-T	T	8.4/25.6

[MAIN UNIT]

REF NO.	ORDER NO.	DESCRIPTION	M.	H/V LOCATION
C3202	4030007080	S.CER C1608 CH 1H 390J-T	T	7.2/25.6
C3221	4550006250	S.TAN TEESVA 1A 106M8R	T	19.6/39.2
C3222	4030007110	S.CER C1608 CH 1H 680J-T	T	12/32.8
C3223	4030007000	S.CER C1608 CH 1H 090D-T	T	9/37
C3224	4030006860	S.CER C1608 JB 1H 102K-T	T	7/36.4
C3225	4030006900	S.CER C1608 JB 1H 103K-T	B	13.8/36.4
C3226	4030006900	S.CER C1608 JB 1H 103K-T	B	9.1/44.4
C3227	4030006900	S.CER C1608 JB 1H 103K-T	B	12.1/50.3
C3228	4030011600	S.CER C1608 JB 1E 104K-T	T	11.8/37.6
C3229	4030011600	S.CER C1608 JB 1E 104K-T	T	12.3/44.5
C3230	4030006900	S.CER C1608 JB 1H 103K-T	T	5.5/40.6
C3231	4030011600	S.CER C1608 JB 1E 104K-T	T	17.5/57.5
C3232	4030006900	S.CER C1608 JB 1H 103K-T	T	21/56.9
C3233	4030007170	S.CER C1608 CH 1H 221J-T	T	18.7/45.9
C3234	4030011600	S.CER C1608 JB 1E 104K-T	T	16.4/49.5
C3251	4030011600	S.CER C1608 JB 1E 104K-T	T	40/93.1
C3252	4030007090	S.CER C1608 CH 1H 470J-T	B	22.3/47
C3255	4030007170	S.CER C1608 CH 1H 221J-T	B	20/86.7
C3256	4030007170	S.CER C1608 CH 1H 221J-T	B	21.3/86.7
C3257	4030007170	S.CER C1608 CH 1H 221J-T	B	22.6/86.7
C3258	4030007170	S.CER C1608 CH 1H 221J-T	B	23.9/86.7
C3259	4030007170	S.CER C1608 CH 1H 221J-T	B	25.2/86.7
C3260	4030007170	S.CER C1608 CH 1H 221J-T	B	26.5/86.7
C3261	4030007170	S.CER C1608 CH 1H 221J-T	B	27.8/86.7
C3262	4030007170	S.CER C1608 CH 1H 221J-T	B	29.1/86.7
C3263	4030007170	S.CER C1608 CH 1H 221J-T	B	30.4/86.7
C3264	4030007170	S.CER C1608 CH 1H 221J-T	B	31.7/86.7
C3265	4030007170	S.CER C1608 CH 1H 221J-T	B	33/86.7
C3271	4030011600	S.CER C1608 JB 1E 104K-T	B	13.7/66.3
C3272	4510008540	S.ELE EEE1CA100SR	T	13.3/60.5
C3273	4030011600	S.CER C1608 JB 1E 104K-T	B	12.4/66.3
C3274	4510008540	S.ELE EEE1CA100SR	T	8.5/60.5
C3281	4030018640	S.CER C2012 CH 1H 103J-T	B	22.9/74.2
C3282	4030018640	S.CER C2012 CH 1H 103J-T	B	21.1/74.2
C3283	4030018640	S.CER C2012 CH 1H 103J-T	B	19.4/74.2
C3291	4030018620	S.CER C1608 CH 1H 221J-T	B	4.3/75.3
C3293	4030007110	S.CER C1608 CH 1H 680J-T	B	8.2/75.3
C3303	4030007130	S.CER C1608 CH 1H 101J-T	B	8.2/67
C3313	4030017810	S.CER C1608 CH 1H 102J-T	B	17.8/67
C3321	4030011600	S.CER C1608 JB 1E 104K-T	B	86/17.7
C3322	4030011600	S.CER C1608 JB 1E 104K-T	B	83.1/14.1
C3323	4030011600	S.CER C1608 JB 1E 104K-T	B	94.4/17.7
C3324	4030011600	S.CER C1608 JB 1E 104K-T	B	91.5/14.2
C3325	4030011600	S.CER C1608 JB 1E 104K-T	B	78.8/17.7
C3326	4030011600	S.CER C1608 JB 1E 104K-T	B	76.6/13.6
J1	6510007020	CNR TMP-J01X-V6		
J21	6510018961	S.CNR B2B-PH-SM4-TB (LF) (SN)	T	99.4/26.4
J41	6510019981	S.CNR 52808-1671 (1690)	T	95/5
J61	6510021721	S.CNR 30FLT-SM2-TB (LF) (SN)	T	101.2/95.8
J91	6510018961	S.CNR B2B-PH-SM4-TB (LF) (SN)	T	117.7/31
J1101	6510019971	S.CNR 52808-1071	T	58.6/55.2
J2401	6510019971	S.CNR 52808-1071	T	133.9/40.7
J3201	6510007020	CNR TMP-J01X-V6		
J3251	6510025960	S.CNR AXN330C238P	T	38.7/77.4
J3252	6510021721	S.CNR 30FLT-SM2-TB (LF) (SN)	T	24.7/95.4
EP41	6910015970	S.BEA MMZ1608B 301CT-AS	T	99.7/9.1
EP42	6910014730	S.BEA MPZ2012S331A-T	T	104.4/9.3
EP43	6910015970	S.BEA MMZ1608B 301CT-AS	T	101.1/9.1
EP44	6910014730	S.BEA MPZ2012S331A-T	T	97/10.2
EP45	6910014730	S.BEA MPZ2012S331A-T	T	94.9/10.2
EP46	6910015970	S.BEA MMZ1608B 301CT-AS	T	92.1/9.6
EP1001	6910014730	S.BEA MPZ2012S331A-T	T	54.9/61
EP1351	6910014730	S.BEA MPZ2012S331A-T	T	94.3/51.4
EP3251	6910015970	S.BEA MMZ1608B 301CT-AS	T	44.9/72.6

M.=Mounted side (T: Mounted on the Top side B: Mounted on the Bottom side)
S.=Surface mount

[BPF UNIT]

REF NO.	ORDER NO.	DESCRIPTION	M.	H/V LOCATION
IC151	1130011530	S.IC CD74HC4094M96	T	7.9/42.3
IC152	1130011530	S.IC CD74HC4094M96	T	7.9/53
IC154	1160000131	S.IC TD62783AFG (5,S,EL)	B	18.9/6.8
IC155	1160000131	S.IC TD62783AFG (5,S,EL)	B	8.5/68.2
IC301	1180002770	S.REG BAJ0CC0FP-E2	T	8.5/88.2
Q151	1590003530	S.TR BCR08PN	T	10.3/64.4
		except [FRA], [AUS], [CHN]		
Q152	1590003930	S.TR UMD22N TR [FRA], [AUS], [CHN]	T	10.3/64.4
	1590003530	S.TR BCR08PN	T	5.5/64.4
		except [FRA], [AUS], [CHN]		
Q180	1590003930	S.TR UMD22N TR [FRA], [AUS], [CHN]	T	5.5/64.4
	1590003520	S.TR BCR108T	T	12.6/81.6
		except [FRA], [AUS], [CHN]		
	1590003940	S.TR RN1105 (TE85L,F)	T	12.6/81.6
		[FRA], [AUS], [CHN]		
Q181	1530002060	S.TR 2SC4081 T106 R	T	81.8/115.8
Q182	1590001870	S.TR DTA114EE TL	T	85.2/112.9
		except [FRA], [AUS], [CHN]		
Q183	1590003570	S.TR BCR183T [FRA], [AUS], [CHN]	T	85.2/112.9
	1530002841	S.TR 2SC4116-Y (TE85R,F)	T	85/115.8
D181	1790001250	S.DIO MA2S1110G-(TX)	B	84.1/108.5
D182	1790000980	S.DIO MA3J7420GL (TX)	T	91.2/115.8
D201	1790001250	S.DIO MA2S1110G-(TX)	B	69.1/108.4
D202	1790001250	S.DIO MA2S1110G-(TX)	B	54.2/108.3
L1	6200005521	S.COL NLV25T-470J	B	55.2/88.8
L2	6140004090	COL LR-447		
L3	6140004230	COL LR-458		
L4	6140004230	COL LR-458		
L5	6140004230	COL LR-458		
L6	6140004090	COL LR-447		
L21	6200005521	S.COL NLV25T-470J	B	61.7/88.8
L22	6140004090	COL LR-447		
L23	6140004100	COL LR-448		
L24	6140004100	COL LR-448		
L25	6140004100	COL LR-448		
L26	6140004090	COL LR-447		
L41	6200005521	S.COL NLV25T-470J	B	68.2/88.8
L42	6140004110	COL LR-449		
L43	6140004120	COL LR-450		
L44	6140004120	COL LR-450		
L45	6140004120	COL LR-450		
L46	6140004110	COL LR-449		
L61	6200005521	S.COL NLV25T-470J	B	74.7/88.8
L62	6140004140	COL LR-451		
L63	6140004150	COL LR-452		
L64	6140004150	COL LR-452		
L65	6140004150	COL LR-452		
L66	6140004140	COL LR-451		
L81	6200007021	S.COL NLV25T-270J	B	81.2/88.8
L82	6140004160	COL LR-453		
L83	6140004180	COL LR-454		
L84	6140004180	COL LR-454		
L85	6140004180	COL LR-454		
L86	6140004160	COL LR-453		
L101	6200005011	S.COL NLV25T-100J	B	87.7/88.8
L102	6140004190	COL LR-455		
L103	6140004210	COL LR-456		
L104	6140004210	COL LR-456		
L105	6140004210	COL LR-456		
L106	6140004190	COL LR-455		
L121	6200009141	S.COL NLV25T-6R8J	B	94.2/88.8
L122	6140004220	COL LR-457		
L123	6140004160	COL LR-453		
L124	6140004160	COL LR-453		
L125	6140004160	COL LR-453		
L126	6140004220	COL LR-457		
L141	6200009141	S.COL NLV25T-6R8J	B	100.7/88.8
L142	6200008080	S.COL LQW2BHNRR22J03L	B	113.9/71.6
L143	6200010870	S.COL C2520C-R33G-A (0.33U)	T	113.8/72.7
L144	6200008080	S.COL LQW2BHNRR22J03L	B	113.9/87.3
L181	6200005521	S.COL NLV25T-470J	B	10.5/82.5
L201	6140002070	COL LR-233		
L211	6200007780	S.COL LQW2BHNRR12J03L	T	57.4/112.5
L221	6200005521	S.COL NLV25T-470J	B	35.8/88.8
L222	6180003740	COL SP0406-150J-PF		
L223	6180003740	COL SP0406-150J-PF		
L241	6200005521	S.COL NLV25T-470J	B	29.4/88.8
L242	6140003980	COL LR-476		
L243	6140003980	COL LR-476		
L244	6140003980	COL LR-476		
L245	6140003980	COL LR-476		
L246	6140003980	COL LR-476		
L247	6140003980	COL LR-476		
L248	6140003980	COL LR-476		
L261	6200005521	S.COL NLV25T-470J	B	42.2/88.8
L262	6140004040	COL LR-443		
L263	6140004050	COL LR-444		
L264	6140004050	COL LR-444		
L265	6140004050	COL LR-444		
L266	6140004040	COL LR-443		
L281	6200005521	S.COL NLV25T-470J	B	48.7/88.8
L282	6140004060	COL LR-445		
L283	6140004080	COL LR-446		
L284	6140004080	COL LR-446		
L285	6140004080	COL LR-446		
L286	6140004060	COL LR-445		

[BPF UNIT]

REF NO.	ORDER NO.	DESCRIPTION	M.	H/V LOCATION
R151	7030003240	S.RES ERJ3GEYJ 220 V (22)	T	28.3/10
R152	7030003240	S.RES ERJ3GEYJ 220 V (22)	T	23.4/10.8
R153	7030003240	S.RES ERJ3GEYJ 220 V (22)	T	23.4/9.2
R154	7030003240	S.RES ERJ3GEYJ 220 V (22)	T	28.3/8.4
R155	7030003240	S.RES ERJ3GEYJ 220 V (22)	T	23.4/7.6
R156	7030003240	S.RES ERJ3GEYJ 220 V (22)	T	28.3/6.8
R157	7030003240	S.RES ERJ3GEYJ 220 V (22)	T	23.4/6
R158	7030003240	S.RES ERJ3GEYJ 220 V (22)	T	28.3/5.2
R159	7030003240	S.RES ERJ3GEYJ 220 V (22)	T	12.8/60.3
R160	7030003240	S.RES ERJ3GEYJ 220 V (22)	T	14.1/60.3
R161	7030003240	S.RES ERJ3GEYJ 220 V (22)	T	14.9/63.9
R162	7030003240	S.RES ERJ3GEYJ 220 V (22)	T	16.3/63.9
R163	7030003240	S.RES ERJ3GEYJ 220 V (22)	T	12.7/77.6
R164	7030003240	S.RES ERJ3GEYJ 220 V (22)	T	15.7/77.6
R165	7030003240	S.RES ERJ3GEYJ 220 V (22)	T	14.2/77.6
R166	7030003240	S.RES ERJ3GEYJ 220 V (22)	T	11.2/77.6
R167	7030003320	S.RES ERJ3GEYJ 101 V (100)	T	7.4/64.4
R168	7030003320	S.RES ERJ3GEYJ 101 V (100)	T	12.2/64.4
R182	7030003560	S.RES ERJ3GEYJ 103 V (10 k)	T	82.4/113.7
R183	7030003320	S.RES ERJ3GEYJ 101 V (100)	T	88.2/112.7
R184	7030003680	S.RES ERJ3GEYJ 104 V (100 k)	T	88.2/113.9
R185	7030003860	S.RES ERJ3GE JPW V	T	88.2/115.1
R186	7030003480	S.RES ERJ3GEYJ 222 V (2.2 k)	T	88.2/116.3
R201	7030011700	S.RES ERJ1TYJ681U (680)	B	111.1/95.2
R202	7030010420	S.RES ERJ1TYJ 560U (56)	B	111.1/103.8
R203	7030010970	S.RES ERJ1TYJ 151U	B	120.2/94.6
R204	7030010440	S.RES ERJ1TYJ 680U (68)	B	120.2/103.2
R205	7030010610	S.RES ERJ1TYJ 470U (47)	B	102.6/115.9
R206	7030010520	S.RES ERJ1TYJ 101U (100)	B	111.2/115.9
R207	7540000260	ABS SA05C 201M		
R208	7540000260	ABS SA05C 201M		
R209	7030003680	S.RES ERJ3GEYJ 104 V (100 k)	T	48/109.6
R221	7030003640	S.RES ERJ3GEYJ 473 V (47 k)	T	29.2/32.6
R222	7030003860	S.RES ERJ3GE JPW V	T	26.6/33.4
R301	7030003360	S.RES ERJ3GEYJ 221 V (220)	T	9.4/32.5
R302	7030003360	S.RES ERJ3GEYJ 221 V (220)	T	9.4/31.3
R303	7030003360	S.RES ERJ3GEYJ 221 V (220)	T	9.4/30.1
R304	7030003360	S.RES ERJ3GEYJ 221 V (220)	T	9.4/28.9
R305	7030003640	S.RES ERJ3GEYJ 473 V (47 k)	T	13.3/31.3
R306	7030003640	S.RES ERJ3GEYJ 473 V (47 k)	T	13.3/32.5
R307	7030003640	S.RES ERJ3GEYJ 473 V (47 k)	T	13.3/30.1
R308	7030003640	S.RES ERJ3GEYJ 473 V (47 k)	T	13.3/28.9
R309	7030003360	S.RES ERJ3GEYJ 221 V (220)	T	9.4/27.7
R310	7030003360	S.RES ERJ3GEYJ 221 V (220)	T	9.4/26.5
C1	4030006880	S.CER C1608 JB 1H 472K-T	B	59.5/15
C2	4030017800	S.CER C1608 CH 1H 561J-T	B	57.4/29.5
C3	4030011330	S.CER C1608 CH 1H 391J-T	B	57.4/31.2
C4	4030007160	S.CER C1608 CH 1H 181J-T	B	54.1/39.8
C5	4030007070	S.CER C1608 CH 1H 330J-T	B	54.1/41.6
C6	4030007030	S.CER C1608 CH 1H 150J-T	B	51.7/45.5
C7	4030007120	S.CER C1608 CH 1H 820J-T	B	53.5/45.5
C8	4030007140	S.CER C1608 CH 1H 121J-T	B	54.1/53
C9	4030007100	S.CER C1608 CH 1H 560J-T	B	54.1/54.9
C10	4030007120	S.CER C1608 CH 1H 820J-T	B	53.4/57.3
C11	4030007030	S.CER C1608 CH 1H 150J-T	B	51.7/57.3
C12	4030007160	S.CER C1608 CH 1H 181J-T	B	54.1/60
C13	4030007070	S.CER C1608 CH 1H 330J-T	B	54.1/61.9
C14	4030017800	S.CER C1608 CH 1H 561J-T	B	57/84.1
C15	4030011330	S.CER C1608 CH 1H 391J-T	B	57/85.5
C16	4030006880	S.CER C1608 JB 1H 472K-T	B	55.2/91.2
C21	4030006880	S.CER C1608 JB 1H 472K-T	B	65.9/15
C22	4030010760	S.CER C1608 CH 1H 331J-T	B	67.2/29.5
C23	4030007150	S.CER C1608 CH 1H 151J-T	B	67.2/31.2
C24	4030007150	S.CER C1608 CH 1H 151J-T	B	63.8/39.8
C25	4030007060	S.CER C1608 CH 1H 270J-T	B	63.8/41.6
C26	4030007060	S.CER C1608 CH 1H 270J-T	B	63.2/45.5
C27	4030007140	S.CER C1608 CH 1H 121J-T	B	61.5/45.5
C28	4030007150	S.CER C1608 CH 1H 151J-T	B	63.9/53
C29	4030007010	S.CER C1608 CH 1H 100D-T	B	63.9/54.9
C30	4030007140	S.CER C1608 CH 1H 121J-T	B	63.2/57.4
C31	4030007060	S.CER C1608 CH 1H 270J-T	B	61.5/57.4
C32	4030007150	S.CER C1608 CH 1H 151J-T	B	63.9/60
C33	4030007060	S.CER C1608 CH 1H 270J-T	B	63.9/61.9
C34	4030010760	S.CER C1608 CH 1H 331J-T	B	66.6/83.7
C35	4030007150	S.CER C1608 CH 1H 151J-T	B	65.6/84.6
C36	4030006880	S.CER C1608 JB 1H 472K-T	B	61.7/91.2
C41	4030006880	S.CER C1608 JB 1H 472K-T	B	72.2/15
C42	4030007170	S.CER C1608 CH 1H 221J-T	B	76.8/29.5
C43	4030007170	S.CER C1608 CH 1H 221J-T	B	76.8/31.2
C44	4030007130	S.CER C1608 CH 1H 101J-T	B	73.6/39.8
C45	4030007050	S.CER C1608 CH 1H 220J-T	B	73.6/41.6
C46	4030007070	S.CER C1608 CH 1H 330J-T	B	72.9/45.5
C47	4030007080	S.CER C1608 CH 1H 390J-T	B	71.1/45.5
C48	4030007120	S.CER C1608 CH 1H 820J-T	B	73.5/53
C49	4030007050	S.CER C1608 CH 1H 220J-T	B	73.5/54.9
C50	4030007080	S.CER C1608 CH 1H 390J-T	B	72.8/57.5
C51	4030007070	S.CER C1608 CH 1H 330J-T	B	71.1/57.5
C52	4030007130	S.CER C1608 CH 1H 101J-T	B	73.5/60
C53	4030007050	S.CER C1608 CH 1H 220J-T	B	73.5/61.9
C54	4030007170	S.CER C1608 CH 1H 221J-T	B	76.4/83.6
C55	4030007170	S.CER C1608 CH 1H 221J-T	B	75.4/84.6
C56	4030006880	S.CER C1608 JB 1H 472K-T	B	68.2/91.2
C61	4030006880	S.CER C1608 JB 1H 472K-T	B	78.6/15
C62	4030007170	S.CER C1608 CH 1H 221J-T	B	86.6/29.5
C63	4030007110	S.CER C1608 CH 1H 680J-T	B	86.6/31.2
C64	4030007090	S.CER C1608 CH 1H 470J-T	B	83.4/39.8
C65	4030007090	S.CER C1608 CH 1H 470J-T	B	83.4/41.6
C66	4030007070	S.CER C1608 CH 1H 330J-T	B	82.7/45.5
C67	4030007070	S.CER C1608 CH 1H 330J-T	B	80.9/45.5
C68	4030007120	S.CER C1608 CH 1H 820J-T	B	83.3/54.9
C69	4030007070	S.CER C1608 CH 1H 330J-T	B	80.9/57.5
C70	4030007070	S.CER C1608 CH 1H 330J-T	B	82.6/57.5

M.=Mounted side (T: Mounted on the Top side B: Mounted on the Bottom side)
S.=Surface mount

[BPF UNIT]

REF NO.	ORDER NO.	DESCRIPTION	M.	H/V LOCATION
C71	4030007090	S.CER C1608 CH 1H 470J-T	B	83.3/60
C72	4030007090	S.CER C1608 CH 1H 470J-T	B	83.3/61.9
C73	4030007170	S.CER C1608 CH 1H 221J-T	B	86.2/75.5
C74	4030007110	S.CER C1608 CH 1H 680J-T	B	86.2/77.1
C75	4030006880	S.CER C1608 JB 1H 472K-T	B	74.7/91.2
C81	4030006880	S.CER C1608 JB 1H 472K-T	B	85.1/15
C82	4030007160	S.CER C1608 CH 1H 181J-T	B	96.3/29.5
C83	4030007090	S.CER C1608 CH 1H 470J-T	B	96.3/31.2
C84	4030007090	S.CER C1608 CH 1H 470J-T	B	92.9/39.8
C85	4030007040	S.CER C1608 CH 1H 180J-T	B	92.9/41.6
C86	4030007030	S.CER C1608 CH 1H 150J-T	B	92.3/45.5
C87	4030007050	S.CER C1608 CH 1H 220J-T	B	90.5/45.5
C88	4030007090	S.CER C1608 CH 1H 470J-T	B	93/54.9
C89	4030006990	S.CER C1608 CH 1H 080D-T	B	93/53
C90	4030007050	S.CER C1608 CH 1H 220J-T	B	92.3/57.4
C91	4030007030	S.CER C1608 CH 1H 150J-T	B	90.6/57.4
C92	4030007090	S.CER C1608 CH 1H 470J-T	B	93/60
C93	4030007040	S.CER C1608 CH 1H 180J-T	B	93/61.9
C94	4030007160	S.CER C1608 CH 1H 181J-T	B	95.9/75.5
C95	4030007090	S.CER C1608 CH 1H 470J-T	B	95.9/77.1
C96	4030006880	S.CER C1608 JB 1H 472K-T	B	81.2/91.2
C101	4030006880	S.CER C1608 JB 1H 472K-T	B	91.5/15
C102	4030007140	S.CER C1608 CH 1H 121J-T	B	105.7/31.2
C103	4030007040	S.CER C1608 CH 1H 180J-T	B	105.7/29.5
C104	4030007070	S.CER C1608 CH 1H 330J-T	B	102.7/39.8
C105	4030007040	S.CER C1608 CH 1H 180J-T	B	102.7/41.6
C106	4030007010	S.CER C1608 CH 1H 100D-T	B	102.1/45.5
C107	4030007070	S.CER C1608 CH 1H 330J-T	B	100.3/45.5
C108	4030007090	S.CER C1608 CH 1H 470J-T	B	102.8/53
C109	4030007070	S.CER C1608 CH 1H 330J-T	B	102.1/56.3
C110	4030007010	S.CER C1608 CH 1H 100D-T	B	100.3/56.3
C111	4030007070	S.CER C1608 CH 1H 330J-T	B	102.8/59.5
C112	4030007040	S.CER C1608 CH 1H 180J-T	B	102.8/61.5
C113	4030007140	S.CER C1608 CH 1H 121J-T	B	105.9/77.1
C114	4030007040	S.CER C1608 CH 1H 180J-T	B	105.9/75.6
C115	4030006880	S.CER C1608 JB 1H 472K-T	B	87.7/91.2
C121	4030006880	S.CER C1608 JB 1H 472K-T	B	98.1/15
C122	4030007130	S.CER C1608 CH 1H 101J-T	B	112.7/24
C123	4030007030	S.CER C1608 CH 1H 150J-T	B	112.7/25.7
C124	4030007050	S.CER C1608 CH 1H 220J-T	B	113.4/34.2
C125	4030007020	S.CER C1608 CH 1H 120J-T	B	113.4/36
C126	4030007050	S.CER C1608 CH 1H 220J-T	B	115.3/39.9
C127	4030007050	S.CER C1608 CH 1H 220J-T	B	113.4/46.7
C128	4030006980	S.CER C1608 CH 1H 070D-T	B	113.4/48.5
C129	4030007050	S.CER C1608 CH 1H 220J-T	B	115.3/51.2
C130	4030007050	S.CER C1608 CH 1H 220J-T	B	113.4/53.9
C131	4030007020	S.CER C1608 CH 1H 120J-T	B	113.4/55.8
C132	4030007130	S.CER C1608 CH 1H 101J-T	B	110.8/86.4
C133	4030007030	S.CER C1608 CH 1H 150J-T	B	110.8/84.8
C134	4030006880	S.CER C1608 JB 1H 472K-T	B	94.2/91.2
C141	4030006880	S.CER C1608 JB 1H 472K-T	B	104.5/15
C142	4030008560	S.CER C1608 CH 1H 300J-T	B	116.8/70.2
C143	4030007060	S.CER C1608 CH 1H 270J-T	B	116.9/72.9
C144	4030007130	S.CER C1608 CH 1H 101J-T	B	116.9/74.5
C145	4030007130	S.CER C1608 CH 1H 101J-T	B	116.5/84.8
C146	4030007060	S.CER C1608 CH 1H 270J-T	B	116.5/86.4
C147	4030008560	S.CER C1608 CH 1H 300J-T	B	116.5/88.5
C148	4030006880	S.CER C1608 JB 1H 472K-T	B	100.7/91.2
C151	4030011600	S.CER C1608 JB 1E 104K-T	B	10.7/16.5
C152	4030011600	S.CER C1608 JB 1E 104K-T	B	4.4/77.9
C153	4030011600	S.CER C1608 JB 1E 104K-T	T	14.3/39.9
C154	4030011600	S.CER C1608 JB 1E 104K-T	T	13.9/50.8
C181	4030006880	S.CER C1608 JB 1H 472K-T	B	85.4/108.5
C182	4030010760	S.CER C1608 CH 1H 331J-T	T	94/114.3
C183	4030007050	S.CER C1608 CH 1H 220J-T	T	91.2/113.9
C184	4030009520	S.CER C1608 CH 1H 020B-T	T	91.2/112.7
C185	4030010210	S.CER C3216 JB 1C 105M-T	B	86.2/112.9
C186	4030011600	S.CER C1608 JB 1E 104K-T	B	86.2/105.3
C201	4030006880	S.CER C1608 JB 1H 472K-T	B	107/91.2
C202	4030006880	S.CER C1608 JB 1H 472K-T	B	116/91.2
C203	4030006880	S.CER C1608 JB 1H 472K-T	B	99.9/111.7
C204	4030006880	S.CER C1608 JB 1H 472K-T	B	70.4/108.4
C205	4030006880	S.CER C1608 JB 1H 472K-T	B	55.5/108.3
C211	4030007020	S.CER C1608 CH 1H 120J-T	T	61/113.3
C212	4030007020	S.CER C1608 CH 1H 120J-T	T	59.8/113.3
C213	4030011770	S.CER C1608 CH 1H 060B-T	T	55/113.3
C214	4030011770	S.CER C1608 CH 1H 060B-T	T	53.8/113.3
C215	4030011770	S.CER C1608 CH 1H 060B-T	T	52.6/113.3
C216	4030011770	S.CER C1608 CH 1H 060B-T	T	51.4/113.3
C221	4030006880	S.CER C1608 JB 1H 472K-T	B	40.1/15
C222	4030018610	S.CER C1608 CH 1H 182J-T	T	27.5/38.1
C223	4030018510	S.CER C2012 CH 1H 682J-T	T	28.3/53.8
C224	4030018640	S.CER C2012 CH 1H 103J-T	T	28.3/55.9
C225	4030018610	S.CER C1608 CH 1H 182J-T	T	27.4/71.5
C226	4030006880	S.CER C1608 JB 1H 472K-T	B	35.8/91.2
C227	4030018640	S.CER C2012 CH 1H 103J-T	T	27.6/36.1
C228	4030018640	S.CER C2012 CH 1H 103J-T	T	27.6/73.5
C241	4030006880	S.CER C1608 JB 1H 472K-T	B	33.7/15
C242	4030017810	S.CER C1608 CH 1H 102J-T	B	20.4/30.4
C243	4030007130	S.CER C1608 CH 1H 101J-T	B	21.2/39.8
C244	4030007130	S.CER C1608 CH 1H 101J-T	B	21.2/41.6
C245	4030017810	S.CER C1608 CH 1H 102J-T	B	21.9/45.5
C246	4030018610	S.CER C1608 CH 1H 182J-T	B	23.7/45.5
C247	4030017810	S.CER C1608 CH 1H 102J-T	B	21.2/54.9
C248	4030018600	S.CER C1608 CH 1H 152J-T	B	21.2/53
C249	4030017810	S.CER C1608 CH 1H 102J-T	B	23.7/57.3
C250	4030018610	S.CER C1608 CH 1H 182J-T	B	21.9/57.3
C251	4030007130	S.CER C1608 CH 1H 101J-T	B	21.2/61.9
C252	4030007130	S.CER C1608 CH 1H 101J-T	B	21.2/60
C253	4030017810	S.CER C1608 CH 1H 102J-T	B	20.8/83
C254	4030006880	S.CER C1608 JB 1H 472K-T	B	29.4/91.2
C261	4030006880	S.CER C1608 JB 1H 472K-T	B	46.7/15
C262	4030017810	S.CER C1608 CH 1H 102J-T	B	38.3/29.5
C263	4030017810	S.CER C1608 CH 1H 102J-T	B	38.3/31.2

[BPF UNIT]

REF NO.	ORDER NO.	DESCRIPTION	M.	H/V LOCATION
C264	4030010760	S.CER C1608 CH 1H 331J-T	B	34.9/39.8
C265	4030007140	S.CER C1608 CH 1H 121J-T	B	34.9/41.6
C266	4030007160	S.CER C1608 CH 1H 181J-T	B	34.2/45.6
C267	4030007060	S.CER C1608 CH 1H 270J-T	B	32.4/45.6
C268	4030010760	S.CER C1608 CH 1H 331J-T	B	34.8/53
C269	4030007090	S.CER C1608 CH 1H 470J-T	B	34.8/54.9
C270	4030007160	S.CER C1608 CH 1H 181J-T	B	34.1/57.4
C271	4030007060	S.CER C1608 CH 1H 270J-T	B	32.5/57.4
C272	4030010760	S.CER C1608 CH 1H 331J-T	B	34.8/60
C273	4030007140	S.CER C1608 CH 1H 121J-T	B	34.8/61.9
C274	4030017810	S.CER C1608 CH 1H 102J-T	B	37.8/83.9
C275	4030017810	S.CER C1608 CH 1H 102J-T	B	37.8/85.3
C276	4030006880	S.CER C1608 JB 1H 472K-T	B	42.2/91.2
C281	4030006880	S.CER C1608 JB 1H 472K-T	B	53.1/15
C282	4030017800	S.CER C1608 CH 1H 561J-T	B	47.9/29.5
C283	4030010760	S.CER C1608 CH 1H 331J-T	B	47.9/31.2
C284	4030010760	S.CER C1608 CH 1H 331J-T	B	44.5/39.8
C285	4030007080	S.CER C1608 CH 1H 390J-T	B	44.5/41.6
C286	4030007100	S.CER C1608 CH 1H 560J-T	B	42.1/45.5
C287	4030010760	S.CER C1608 CH 1H 331J-T	B	43.9/45.5
C288	4030010760	S.CER C1608 CH 1H 331J-T	B	44.5/53
C289	4030007090	S.CER C1608 CH 1H 470J-T	B	44.5/54.9
C290	4030010760	S.CER C1608 CH 1H 331J-T	B	43.8/57.4
C291	4030007100	S.CER C1608 CH 1H 560J-T	B	42.1/57.4
C292	4030010760	S.CER C1608 CH 1H 331J-T	B	44.5/60
C293	4030007080	S.CER C1608 CH 1H 390J-T	B	44.5/61.9
C294	4030017800	S.CER C1608 CH 1H 561J-T	B	47.5/84
C295	4030010760	S.CER C1608 CH 1H 331J-T	B	47.5/85.4
C296	4030006880	S.CER C1608 JB 1H 472K-T	B	48.7/91.2
C301	4030011600	S.CER C1608 JB 1E 104K-T	T	13.4/24
C302	4550003210	S.TAN TEESVD21D226M12R	T	7/82.1
C303	4030011600	S.CER C1608 JB 1E 104K-T	T	3/86.8
C304	4030011600	S.CER C1608 JB 1E 104K-T	T	3/89.6
C305	4510008540	S.ELE EEE1CA100SR	T	7/94.1
RL1	6330001721	RLY ATN207-K1		
RL2	6330001721	RLY ATN207-K1		
RL21	6330001721	RLY ATN207-K1		
RL22	6330001721	RLY ATN207-K1		
RL41	6330001721	RLY ATN207-K1		
RL42	6330001721	RLY ATN207-K1		
RL61	6330001721	RLY ATN207-K1		
RL62	6330001721	RLY ATN207-K1		
RL81	6330001721	RLY ATN207-K1		
RL82	6330001721	RLY ATN207-K1		
RL101	6330001721	RLY ATN207-K1		
RL102	6330001721	RLY ATN207-K1		
RL121	6330001721	RLY ATN207-K1		
RL122	6330001721	RLY ATN207-K1		
RL141	6330001721	RLY ATN207-K1		
RL142	6330001721	RLY ATN207-K1		
RL181	6330001721	RLY ATN207-K1		
RL201	6330001721	RLY ATN207-K1		
RL202	6330001721	RLY ATN207-K1		
RL203	6330001721	RLY ATN207-K1		
RL204	6330001721	RLY ATN207-K1		
RL205	6330001721	RLY ATN207-K1		
RL221	6330001721	RLY ATN207-K1		
RL222	6330001721	RLY ATN207-K1		
RL241	6330001721	RLY ATN207-K1		
RL242	6330001721	RLY ATN207-K1		
RL261	6330001721	RLY ATN207-K1		
RL262	6330001721	RLY ATN207-K1		
RL281	6330001721	RLY ATN207-K1		
RL282	6330001721	RLY ATN207-K1		
J1	6510020521	S.CNR 52808-1271 (1290)	T	4.5/26.9
J11	6510007020	CNR TMP-J01X-V6		
J501	6510007020	CNR TMP-J01X-V6		
J502	6450001800	CNR JPJ1044-01-010		
W1	7120000470	JMP ERDS2T0		
EP301	6910014730	S.BEA MPZ2012S331A-T	T	10.4/20.6
EP302	6910018270	S.BEA MMZ1608Y301CT	T	10.8/24

M.=Mounted side (T: Mounted on the Top side B: Mounted on the Bottom side)
S.=Surface mount

[RF-A UNIT]

REF NO.	ORDER NO.	DESCRIPTION	M.	H/V LOCATION
IC130	1190002010	S.IC SD5400CY <TOMO>	T	67.8/92.9
IC210	1110006180	S.IC UPG2009TB-E3	T	66.5/65.4
IC311	1180000421	S.IC TA78L05F (TE12R,F)	B	145/5.3
IC380	1190002110	S.IC NJG1519KC1-TE3-#ZZZB	T	29.3/72.4
IC500	1190002110	S.IC NJG1519KC1-TE3-#ZZZB	T	27/32
IC620	1180002770	S.REG BAJ0CC0FP-E2	B	88.8/5.7
IC701	1110006180	S.IC UPG2009TB-E3	T	63.1/5.7
IC800	1130011530	S.IC CD74HC4094M96	T	149.7/48.7
IC801	1130011530	S.IC CD74HC4094M96	T	149.7/40.6
IC850	1180000720	S.IC AN79L05M-(E1)	B	155.2/14.9
IC950	1110005100	S.IC NJM072BM-TE1-#ZZZB	T	132/17.7
IC951	1110005420	S.IC BA15532F-E2	T	131.6/31.5
IC1000	1110006100	S.IC NJM5534MD-TE1-#ZZZB	B	142.3/32.7
IC1030	1110000960	S.IC NJM4558M-TE1-#FMZB	B	74.5/43.7
IC1031	1110006750	S.IC TK14570LTL-G	T	73.3/34
IC1032	1120002830	S.IC NJM2125F-TE1-#FZZB	B	73.7/32
IC1060	1110006190	S.IC NJM074M-TE1-#ZZZB	B	126.4/32.2
IC1090	1110006100	S.IC NJM5534MD-TE1-#ZZZB	B	110/45
IC1091	1110006100	S.IC NJM5534MD-TE1-#ZZZB	B	122.2/17.7
IC1311	1130011921	S.IC TC74LCX00F (EL,F)	T	95.9/28.2
IC1312	1130005971	S.IC TC74HC4053AF (F,S)	T	142.5/17.2
Q20	1590003530	S.TR BCR08PN	T	114.8/59.4
		except [FRA], [AUS], [CHN]		
	1590003930	S.TR UMD22N TR [FRA], [AUS], [CHN]	T	114.8/59.4
Q21	1590003530	S.TR BCR08PN	T	111.2/59.4
		except [FRA], [AUS], [CHN]		
	1590003930	S.TR UMD22N TR [FRA], [AUS], [CHN]	T	111.2/59.4
Q22	1590003530	S.TR BCR08PN	T	115.9/74.3
		except [FRA], [AUS], [CHN]		
	1590003930	S.TR UMD22N TR [FRA], [AUS], [CHN]	T	115.9/74.3
Q30	1530003851	S.TR 2SC5551A-F-E	B	131.2/63.4
Q50	1530003851	S.TR 2SC5551A-F-E	B	128/91.5
Q70	1530003851	S.TR 2SC5551A-F-E	B	128/76.5
Q150	1590003520	S.TR BCR108T	T	32.9/81.4
		except [FRA], [AUS], [CHN]		
	1590003940	S.TR RN1105 (TE85L,F)	T	32.9/81.4
		[FRA], [AUS], [CHN]		
Q151	1550000090	S.FET RSQ035P03TR	B	37.8/86.5
Q170	1530003860	TR 2SC3950D	T	25.2/84.1
Q190	1530003860	TR 2SC3950D	T	60.7/57.5
Q191	1530003841	S.TR 2SC5501A	T	25.2/84.1
Q321	1560000641	S.FET 2SK1740-4/5-TB-E	T	60.7/57.5
Q350	1590003530	S.TR BCR08PN	T	56.8/38.9
		except [FRA], [AUS], [CHN]		
	1590003930	S.TR UMD22N TR [FRA], [AUS], [CHN]	T	56.8/38.9
Q351	1590003530	S.TR BCR08PN	T	56.8/35.1
		except [FRA], [AUS], [CHN]		
	1590003930	S.TR UMD22N TR [FRA], [AUS], [CHN]	T	56.8/35.1
Q550	1530003841	S.TR 2SC5501A 4-ETR-E	B	7.2/17.4
Q580	1530003021	S.TR 2SC4402-3-TL-E	B	19.4/12.8
Q581	1530003021	S.TR 2SC4402-3-TL-E	B	14.4/9.6
Q640	1560000641	S.FET 2SK1740-4/5-TB-E	B	38.6/3
Q641	1560000641	S.FET 2SK1740-4/5-TB-E	B	38.6/6.2
Q671	1560000641	S.FET 2SK1740-4/5-TB-E	T	57.8/6.8
Q730	1530003151	S.TR 2SC4673D-TD-E	T	42.5/20.3
Q901	1590003520	S.TR BCR108T	B	141.4/15.3
		except [FRA], [AUS], [CHN]		
	1590003940	S.TR RN1105 (TE85L,F)	B	141.4/15.3
		[FRA], [AUS], [CHN]		
Q1011	1530003431	S.TR 2SC5226A 4-ETL-E	T	68.7/11.1
Q1021	1530003431	S.TR 2SC5226A 4-ETL-E	B	68/23.8
Q1200	1530003450	S.TR 2SC4835G R (TX)	B	95.3/45.9
Q1201	1530003450	S.TR 2SC4835G R (TX)	B	98.1/10.8
Q1310	1530002601	S.TR 2SC4215-O (TE85R,F)	B	99.7/28.2
D1	1750000581	S.DIO 1SV307 (TPH3,F)	T	110.5/90.2
D20	1750000550	S.DIO 1SS355 TE-17	B	148/95.9
D21	1750000550	S.DIO 1SS355 TE-17	B	148.3/80.6
D90	1750000550	S.DIO 1SS355 TE-17	B	105/80.8
D91	1750000550	S.DIO 1SS355 TE-17	B	105.2/97.3
D460	1750000581	S.DIO 1SV307 (TPH3,F)	T	19/71.7
D461	1750000581	S.DIO 1SV307 (TPH3,F)	T	19/73.8
D462	1750000581	S.DIO 1SV307 (TPH3,F)	T	18.6/34.3
D463	1750000581	S.DIO 1SV307 (TPH3,F)	T	18.6/32.3
D600	1750000431	S.DIO HSB88WSTR-E	T	42.1/12.5
D850	1790001670	S.DIO RB706F-40T106	B	113.8/9
D851	1790001670	S.DIO RB706F-40T106	T	113.6/14.2
D950	1750000550	S.DIO 1SS355 TE-17	T	132.5/24.4
D951	1750000550	S.DIO 1SS355 TE-17	T	132.5/22.6
D1021	1790001240	S.DIO MA25728-(TX)	B	67.7/25.4
D1250	1750000431	S.DIO HSB88WSTR-E	T	92.1/38.3
D1251	1750000431	S.DIO HSB88WSTR-E	T	92/18.3
FI400	2030000530	S.MLH FL-384 (58.7 MHz)	T	44.2/51.5
FI420	2030000540	S.MLH FL-385 (58.7 MHz)	T	35.6/53.7
FI440	2030000550	S.MLH FL-386 (58.7 MHz)	T	27/51.5
FI460	2030000560	S.MLH FL-387 (58.7 MHz)	T	18.4/53.7
FI480	2030000570	S.MLH FL-388 (58.7 MHz)	T	9.8/51.5
FI702	2020002430	CER SFVLF10M7LF00-B0		
FI1011	2020001170	S.CER SFECA10.7MS2-A-TC	T	75/17.8
FI1030	2020001170	S.CER SFECA10.7MS2-A-TC	T	68.6/28.8
		(SFECA10.7MS2)		
L20	6200009690	S.COL LQH43CN101K03L	T	127/56.4
L21	6200009690	S.COL LQH43CN101K03L	T	120.4/65.7
L30	6140003890	COL LR-488		
L31	6180001000	COL LAL 04NA 102K		
L32	6200010680	S.COL C2520C-R22G-A (0.22U)	T	111/72.8

[RF-A UNIT]

REF NO.	ORDER NO.	DESCRIPTION	M.	H/V LOCATION
L33	6140003900	COL LR-489		
L50	6200007790	S.COL LQW2BHN15J03L	B	143.7/76.3
L51	6140003800	COL LR-439		
L52	6190001650	COL ELC06D102E		
L53	6140003880	COL LR-486		
L54	6140003800	COL LR-439		
L70	6190001650	COL ELC06D102E		
L71	6140003880	COL LR-486		
L110	6200010740	S.COL C2520C-R27G-A	T	98.2/86.4
L111	6200010740	S.COL C2520C-R27G-A	T	95.4/82.8
L112	6200007780	S.COL LQW2BHN12J03L	B	86.1/91.7
L113	6200007780	S.COL LQW2BHN12J03L	B	83.5/91.7
L114	6200010740	S.COL C2520C-R27G-A	T	92.6/79.2
L131	6200010730	S.COL C2520C-68NG-A	T	83.1/87.6
L132	6190001631	COL #E544EN-100021		
L133	6200011410	S.COL C2520C-82NG-A	T	67.5/76.6
L134	6200010860	S.COL C2520C-R10G-A (0.1U)	T	66.2/70.3
L136	6140003920	COL LR-491		
L138	6140003960	COL LR-495		
L150	6180003570	COL SP0406-3R3K-6		
L170	6200010740	S.COL C2520C-R27G-A	T	50.8/94.8
L190	6200011450	S.COL C2520C-R39G-A	T	30.9/94.4
L191	6140003910	COL LR-490		
L211	6200010740	S.COL C2520C-R27G-A	T	71.5/62.3
L230	6140004660	COL LR-524		
L290	6200010650	S.COL C2520C-R12G-A (0.12U)	T	87.8/65.8
L291	6200010860	S.COL C2520C-R10G-A (0.1U)	T	84.1/62.7
L292	6200010670	S.COL C2520C-R18G-A (0.18U)	T	80.9/59
L293	6200010680	S.COL C2520C-R22G-A (0.22U)	T	75.8/55.7
L321	6200005011	S.COL NLV25T-100J	T	63.1/61.3
L322	6140002810	S.COL LR-317	T	69.1/54.9
L323	6200011220	S.COL C2012C-R47J-A	T	63/53.3
L400	6200010960	S.COL C2520C-R47G-A (0.47U)	T	44.3/64.6
L401	6200010960	S.COL C2520C-R47G-A (0.47U)	T	42.2/41.7
L402	6200010960	S.COL C2520C-R47G-A (0.47U)	T	44.3/61.4
L403	6200010960	S.COL C2520C-R47G-A (0.47U)	T	44.2/38.2
L420	6200010770	S.COL C2520C-R68G-A	T	35.4/66.9
L421	6200010770	S.COL C2520C-R68G-A	T	35.8/43.8
L422	6200010780	S.COL C2520C-1R0G-A	T	35.4/63.6
L423	6200010780	S.COL C2520C-1R0G-A	T	35.8/40.6
L440	6200010450	S.COL C2520C-R82G-A (0.82U)	T	26.9/64.4
L441	6200010450	S.COL C2520C-R82G-A (0.82U)	T	26.9/41.6
L442	6200010440	S.COL C2520C-1R2G-A (1.2U)	T	26.9/61.3
L443	6200010440	S.COL C2520C-1R2G-A (1.2U)	T	26.9/38.5
L460	6200010440	S.COL C2520C-1R2G-A (1.2U)	T	18/66.6
L461	6200010440	S.COL C2520C-1R2G-A (1.2U)	T	18/43.8
L462	6200010440	S.COL C2520C-1R2G-A (1.2U)	T	18/63.4
L463	6200010440	S.COL C2520C-1R2G-A (1.2U)	T	18/40.6
L464	6200003711	S.COL NLV25T-2R7J	T	22.3/71.7
L465	6200003711	S.COL NLV25T-2R7J	T	21.9/32.5
L480	6200010810	S.COL C2520C-2R2G-A	T	10.5/61.2
L481	6200010810	S.COL C2520C-2R2G-A	T	9.2/41.7
L482	6200010680	S.COL C2520C-R22G-A (0.22U)	T	10.5/64.7
L483	6200010680	S.COL C2520C-R22G-A (0.22U)	T	9.2/38.4
L484	6200003711	S.COL NLV25T-2R7J	B	9.9/73.8
L485	6200003711	S.COL NLV25T-2R7J	B	10.3/71.2
L486	6200003711	S.COL NLV25T-2R7J	B	11.4/34.3
L487	6200003711	S.COL NLV25T-2R7J	B	15.6/36.2
L520	6200007790	S.COL LQW2BHN15J03L	T	19.1/25.4
L521	6200007740	S.COL LQW2BHN47NJ03L	T	14.8/24.1
L550	6140003930	COL LR-492		
L580	6190001740	COL #E544EN-100027		
L600	6140003210	S.COL LR-358	T	35.1/12.5
L601	6140003210	S.COL LR-358	T	49.1/12.5
L611	6200010770	S.COL C2520C-R68G-A	T	34.9/6.7
L612	6200011450	S.COL C2520C-R39G-A	T	38.6/3.2
L613	6200010740	S.COL C2520C-R27G-A	T	31.3/5.8
L620	6200005521	S.COL NLV25T-470J	T	23.7/3.4
L640	6200010970	S.COL C2520C-1R8G-A (1.8U)	T	48/5.1
L641	6200002041	S.COL NLV25T-101J	B	32.2/5.5
L642	6200002041	S.COL NLV25T-101J	B	52.3/6.8
L702	6200010950	S.COL C2520C-1R5G-A (1.5U)	T	79.5/5.8
L703	6200010970	S.COL C2520C-1R8G-A (1.8U)	T	68.9/3.7
L704	6200010810	S.COL C2520C-2R2G-A	T	77.5/10.6
L730	6200001920	S.COL ELJNC R15K-F	T	51.2/20.9
L731	6200003290	S.COL ELJNC R12K-F	T	50.5/25.2
L732	6200003290	S.COL ELJNC R12K-F	T	44.5/24.7
L805	6200005011	S.COL NLV25T-100J	T	156.5/36
L1011	6200003711	S.COL NLV25T-2R7J	T	62.7/9.8
L1012	6200005011	S.COL NLV25T-100J	T	68.8/14.5
L1013	6200005011	S.COL NLV25T-100J	B	65.5/15.4
L1021	6200003941	S.COL NLV25T-5R6J	T	71.9/21.9
L1022	6200002861	S.COL NLV25T-4R7J	T	64.7/23.2
L1023	6200005011	S.COL NLV25T-100J	B	64.9/20.1
L1030	6190001750	S.COL #836BN-0541TY	T	63.9/36.8
L1032	6200005011	S.COL NLV25T-100J	B	62/34.4
L1200	6200003520	S.COL ELJFB 102K-F	T	99.7/45.5
L1250	6140003210	S.COL LR-358	T	99.1/38.3
L1251	6140003210	S.COL LR-358	T	99/18.3
L1252	6140003210	S.COL LR-358	T	85.1/38.3
L1253	6140003210	S.COL LR-358	T	85/18.3
L1310	6200003261	S.COL NLV32T-101J	T	80.1/30.2
L1311	6200003261	S.COL NLV32T-101J	B	88.8/32.1
L1312	6200010800	S.COL C2520C-4R7G-A	T	88.8/25.7
L1313	6200003261	S.COL NLV32T-101J	B	88.8/25.1
R1	7030003640	S.RES ERJ3GEYJ 473 V (47 k)	T	114.1/91.7
R2	7030003480	S.RES ERJ3GEYJ 222 V (2.2 k)	T	112.1/90.2
R3	7030003560	S.RES ERJ3GEYJ 103 V (10 k)	T	114.2/88.1
R4	7030003620	S.RES ERJ3GEYJ 333 V (33 k)	T	114.2/89.3
R20	7030003320	S.RES ERJ3GEYJ 101 V (100)	T	143.5/73.2

[RF-A UNIT]

REF NO.	ORDER NO.	DESCRIPTION	M.	H/V LOCATION
R23	7030003320	S.RES ERJ3GEYJ 101 V (100)	T	104.4/97.8
R30	7030003200	S.RES ERJ3GEYJ 100 V (10)	B	140.3/66.8
R31	7030003530	S.RES ERJ3GEYJ 562 V (5.6 k)	T	144/59.5
R32	7030003440	S.RES ERJ3GEYJ 102 V (1 k)	T	144/60.7
R33	7030004030	S.RES ERJ3GEYJ 5R6 V (5.6)	B	131/66.8
R34	7030003280	S.RES ERJ3GEYJ 470 V (47)	B	138.8/62.7
R35	7030003240	S.RES ERJ3GEYJ 220 V (22)	T	133.8/58.9
R50	7030003280	S.RES ERJ3GEYJ 470 V (47)	T	139.1/97.6
R51	7030003200	S.RES ERJ3GEYJ 100 V (10)	B	132.5/91.1
R53	7030003440	S.RES ERJ3GEYJ 102 V (1 k)	B	129.5/84.3
R54	7030003280	S.RES ERJ3GEYJ 470 V (47)	B	123.7/93.8
R55	7030003510	S.RES ERJ3GEYJ 392 V (3.9 k)	B	124.6/87.5
R70	7030003280	S.RES ERJ3GEYJ 470 V (47)	B	139.8/76
R71	7030003200	S.RES ERJ3GEYJ 100 V (10)	B	132.5/76.5
R73	7030003440	S.RES ERJ3GEYJ 102 V (1 k)	B	130/69.2
R74	7030003280	S.RES ERJ3GEYJ 470 V (47)	B	123.8/79.1
R75	7030003510	S.RES ERJ3GEYJ 392 V (3.9 k)	B	124.5/72.7
R110	7030000010	S.RES MCR10EZHJ JPW (000)	T	101.1/88.8
R111	7030003280	S.RES ERJ3GEYJ 470 V (47)	B	88.6/90.7
R130	7030000010	S.RES MCR10EZHJ JPW (000)	T	85.8/87.9
R131	7030003800	S.RES ERJ3GEYJ 105 V (1 M)	T	74.3/94.9
R132	7030003520	S.RES ERJ3GEYJ 472 V (4.7 k)	T	80/97
R134	7030003250	S.RES ERJ3GEYJ 270 V (27)	T	70.9/77.3
R135	7030003680	S.RES ERJ3GEYJ 104 V (100 k)	T	69.8/98.4
R136	7310004860	S.TRI EVM-3YSX50 B53 (502)	T	85.5/94.6
R137	7030003680	S.RES ERJ3GEYJ 104 V (100 k)	B	67/96.6
R139	7030003520	S.RES ERJ3GEYJ 472 V (4.7 k)	T	78/95.2
R141	7030007680	S.RES ERJ8ENF 47R0V (47)	T	62.4/98.2
R142	7030003400	S.RES ERJ3GEYJ 471 V (470)	B	94.7/77.7
R143	7030007680	S.RES ERJ8ENF 47R0V (47)	T	61/93
R150	7030003560	S.RES ERJ3GEYJ 103 V (10 k)	B	35.4/86.5
R151	7030003440	S.RES ERJ3GEYJ 102 V (1 k)	T	36.6/82.1
R161	7030003640	S.RES ERJ3GEYJ 473 V (47 k)	T	83/94.8
R170	7030009620	S.RES ERJ12YJ120U (12)	B	49.6/95.7
R171	7030003280	S.RES ERJ3GEYJ 470 V (47)	T	48.4/93
R173	7030007180	S.RES ERJ12YJ150U (15)	B	40.4/92.8
R175	7030004040	S.RES ERJ3GEYJ 4R7 V (4.7)	T	41.9/94.1
R176	7030006240	S.RES ERJ12YJ181U (180)	B	34.2/93.1
R177	7030007850	S.RES ERJ8ENF 1001V (1 k)	T	34.1/91.2
R190	7030004040	S.RES ERJ3GEYJ 4R7 V (4.7)	T	33.8/93.4
R191	7030003480	S.RES ERJ3GEYJ 222 V (2.2 k)	T	35/94.8
R192	7030003470	S.RES ERJ3GEYJ 182 V (1.8 k)	T	37.1/95.5
R193	7030006070	S.RES ERJ12YJ101U (100)	B	26.6/93
R194	7030004040	S.RES ERJ3GEYJ 4R7 V (4.7)	T	27.1/94.4
R195	7030003280	S.RES ERJ3GEYJ 470 V (47)	T	36.1/87.1
R196	7030003480	S.RES ERJ3GEYJ 222 V (2.2 k)	T	28.8/81.5
R197	7030003460	S.RES ERJ3GEYJ 152 V (1.5 k)	T	27.6/81.5
R198	7030003420	S.RES ERJ3GEYJ 681 V (680)	B	25/87.7
R199	7030003200	S.RES ERJ3GEYJ 100 V (10)	T	25.1/86.1
R200	7030003280	S.RES ERJ3GEYJ 470 V (47)	T	24.4/91
R210	7030003440	S.RES ERJ3GEYJ 102 V (1 k)	B	63.7/64
R211	7030003440	S.RES ERJ3GEYJ 102 V (1 k)	B	65.6/61.9
R214	7030003280	S.RES ERJ3GEYJ 470 V (47)	B	52.3/63.2
R290	7030003370	S.RES ERJ3GEYJ 271 V (270)	T	92.1/61.6
R291	7030003230	S.RES ERJ3GEYJ 180 V (18)	T	91.3/63.5
R292	7030003370	S.RES ERJ3GEYJ 271 V (270)	T	90.6/61.9
R321	7030003320	S.RES ERJ3GEYJ 101 V (100)	T	60.5/60.2
R322	7030003320	S.RES ERJ3GEYJ 101 V (100)	B	67.7/57.6
R324	7030003860	S.RES ERJ3GE JPW V	T	69.1/59.8
R350	7030003560	S.RES ERJ3GEYJ 103 V (10 k)	T	56.8/37
R351	7030003560	S.RES ERJ3GEYJ 103 V (10 k)	T	56.8/33.2
R380	7030003440	S.RES ERJ3GEYJ 102 V (1 k)	B	29.4/71.4
R381	7030003440	S.RES ERJ3GEYJ 102 V (1 k)	B	26.6/70.1
R382	7030003440	S.RES ERJ3GEYJ 102 V (1 k)	B	26.6/75.3
R383	7030003440	S.RES ERJ3GEYJ 102 V (1 k)	B	29.5/76.9
R460	7030003400	S.RES ERJ3GEYJ 471 V (470)	T	25.4/72.2
R461	7030003400	S.RES ERJ3GEYJ 471 V (470)	T	22.4/35
R480	7030003380	S.RES ERJ3GEYJ 331 V (330)	B	13/73.8
R481	7030003380	S.RES ERJ3GEYJ 331 V (330)	B	13.6/71.7
R482	7030003380	S.RES ERJ3GEYJ 331 V (330)	B	14.7/34.3
R483	7030003380	S.RES ERJ3GEYJ 331 V (330)	B	14.7/32.3
R484	7030003320	S.RES ERJ3GEYJ 101 V (100)	B	6.5/74.2
R485	7030003320	S.RES ERJ3GEYJ 101 V (100)	B	7.1/70.8
R486	7030003320	S.RES ERJ3GEYJ 101 V (100)	B	18.1/36.4
R487	7030003320	S.RES ERJ3GEYJ 101 V (100)	B	9/35.8
R500	7030003440	S.RES ERJ3GEYJ 102 V (1 k)	B	29.9/35
R501	7030003440	S.RES ERJ3GEYJ 102 V (1 k)	B	29.9/30.6
R502	7030003440	S.RES ERJ3GEYJ 102 V (1 k)	B	24/30.7
R503	7030003440	S.RES ERJ3GEYJ 102 V (1 k)	B	24/35
R550	7030003440	S.RES ERJ3GEYJ 102 V (1 k)	B	7.2/19.6
R551	7030003400	S.RES ERJ3GEYJ 471 V (470)	B	6.2/14
R552	7030003340	S.RES ERJ3GEYJ 151 V (150)	B	8/14
R553	7030003520	S.RES ERJ3GEYJ 472 V (4.7 k)	B	4.4/14
R554	7030003550	S.RES ERJ3GEYJ 822 V (8.2 k)	B	3.6/18.2
R555	7030003200	S.RES ERJ3GEYJ 100 V (10)	B	10.2/14.7
R556	7030003300	S.RES ERJ3GEYJ 680 V (68)	B	14.4/16.4
R580	7030003200	S.RES ERJ3GEYJ 100 V (10)	B	13.8/10.2
R581	7030003520	S.RES ERJ3GEYJ 472 V (4.7 k)	B	10.7/8.4
R582	7030003550	S.RES ERJ3GEYJ 822 V (8.2 k)	B	14/6.8
R583	7030003690	S.RES ERJ3GEYJ 124 V (120 k)	B	12.3/3.8
R584	7030003200	S.RES ERJ3GEYJ 100 V (10)	B	22.8/12.8
R585	7030003200	S.RES ERJ3GEYJ 100 V (10)	B	16.6/8.9
R587	7030003280	S.RES ERJ3GEYJ 470 V (47)	B	18.7/5.7
R588	7510001671	S.TMR NTCG16 4BH 103JT	B	14/5.2
R611	7030003280	S.RES ERJ3GEYJ 470 V (47)	T	32.4/2.3
R620	7030003320	S.RES ERJ3GEYJ 101 V (100)	T	26.9/3.2
R641	7030003280	S.RES ERJ3GEYJ 470 V (47)	B	35.2/5.5
R645	7030003490	S.RES ERJ3GEYJ 272 V (2.7 k)	T	45.8/4.2
R671	7030003200	S.RES ERJ3GEYJ 100 V (10)	T	55.9/4.4
R672	7030003600	S.RES ERJ3GEYJ 223 V (22 k)	T	55.2/6.7
R673	7030003340	S.RES ERJ3GEYJ 151 V (150)	T	60.3/8.8
R674	7030003340	S.RES ERJ3GEYJ 151 V (150)	B	56.7/8.8
R704	7030003440	S.RES ERJ3GEYJ 102 V (1 k)	B	59.7/5.1
R705	7030003440	S.RES ERJ3GEYJ 102 V (1 k)	B	62/8.5

[RF-A UNIT]

REF NO.	ORDER NO.	DESCRIPTION	M.	H/V LOCATION
R730	7030003370	S.RES ERJ3GEYJ 271 V (270)	T	46.9/18.4
R731	7030003230	S.RES ERJ3GEYJ 180 V (18)	T	50.8/18.6
R732	7030003370	S.RES ERJ3GEYJ 271 V (270)	T	47.4/19.6
R733	7030003330	S.RES ERJ3GEYJ 121 V (120)	T	38.1/25.6
R734	7030003320	S.RES ERJ3GEYJ 101 V (100)	T	38.1/20
R735	7030003560	S.RES ERJ3GEYJ 103 V (10 k)	T	40.9/24.8
R736	7030003480	S.RES ERJ3GEYJ 222 V (2.2 k)	T	38.1/22.7
R737	7030003370	S.RES ERJ3GEYJ 271 V (270)	T	35.9/23.5
R738	7030003230	S.RES ERJ3GEYJ 180 V (18)	T	35.1/21.4
R739	7030003370	S.RES ERJ3GEYJ 271 V (270)	T	34.4/23.5
R800	7030003440	S.RES ERJ3GEYJ 102 V (1 k)	T	120.3/10.4
R801	7030003440	S.RES ERJ3GEYJ 102 V (1 k)	T	121.5/10.4
R802	7030003440	S.RES ERJ3GEYJ 102 V (1 k)	T	122.7/10.4
R803	7030003280	S.RES ERJ3GEYJ 470 V (47)	T	137.1/46.5
R804	7030003280	S.RES ERJ3GEYJ 470 V (47)	T	140.3/44.4
R805	7030003280	S.RES ERJ3GEYJ 470 V (47)	T	140.3/45.8
R806	7030003280	S.RES ERJ3GEYJ 470 V (47)	T	137.1/49.3
R807	7030003280	S.RES ERJ3GEYJ 470 V (47)	T	140.3/50
R808	7030003280	S.RES ERJ3GEYJ 470 V (47)	T	137.1/50.7
R809	7030003280	S.RES ERJ3GEYJ 470 V (47)	T	140.3/51.4
R810	7030003280	S.RES ERJ3GEYJ 470 V (47)	T	140.3/48.6
R811	7030003280	S.RES ERJ3GEYJ 470 V (47)	T	137.1/47.9
R812	7030003280	S.RES ERJ3GEYJ 470 V (47)	T	140.3/47.2
R813	7030003280	S.RES ERJ3GEYJ 470 V (47)	T	137.1/43.7
R814	7030003280	S.RES ERJ3GEYJ 470 V (47)	T	137.1/45.1
R815	7030003280	S.RES ERJ3GEYJ 470 V (47)	T	140.3/43.3
R816	7030003280	S.RES ERJ3GEYJ 470 V (47)	T	137.1/42.3
R817	7030003640	S.RES ERJ3GEYJ 473 V (47 k)	T	151.9/36.2
R818	7030003640	S.RES ERJ3GEYJ 473 V (47 k)	B	156.7/41.1
R819	7030003640	S.RES ERJ3GEYJ 473 V (47 k)	B	151.2/52.7
R820	7030003640	S.RES ERJ3GEYJ 473 V (47 k)	B	152.5/41.9
R821	7030003440	S.RES ERJ3GEYJ 102 V (1 k)	T	119.1/10.4
R850	7030003370	S.RES ERJ3GEYJ 271 V (270)	B	151.1/13.5
R900	7030003860	S.RES ERJ3GE JPW V	B	124.1/8.2
R904	7030003860	S.RES ERJ3GE JPW V	T	147.1/28
R905	7030003320	S.RES ERJ3GEYJ 101 V (100)	T	137.1/13.3
R907	7030003560	S.RES ERJ3GEYJ 103 V (10 k)	B	143.2/19.7
R908	7030003320	S.RES ERJ3GEYJ 101 V (100)	T	148.4/21.7
R950	7030003370	S.RES ERJ3GEYJ 271 V (270)	T	136.7/20.4
R951	7030003440	S.RES ERJ3GEYJ 102 V (1 k)	T	135.4/20.4
R952	7030003800	S.RES ERJ3GEYJ 105 V (1 M)	T	129.1/23.6
R953	7030003360	S.RES ERJ3GEYJ 221 V (220)	T	132.6/26
R954	7030003360	S.RES ERJ3GEYJ 221 V (220)	T	134.9/23.5
R955	7030003560	S.RES ERJ3GEYJ 103 V (10 k)	T	127.1/32.8
R956	7030003560	S.RES ERJ3GEYJ 103 V (10 k)	T	136.1/31.4
R957	7030003520	S.RES ERJ3GEYJ 472 V (4.7 k)	T	127.1/29.6
R958	7030003560	S.RES ERJ3GEYJ 103 V (10 k)	T	131.6/35
R959	7030003520	S.RES ERJ3GEYJ 472 V (4.7 k)	T	137/29.5
R960	7030003560	S.RES ERJ3GEYJ 103 V (10 k)	T	127.8/35
R961	7030003320	S.RES ERJ3GEYJ 101 V (100)	T	134.9/12.3
R962	7030003320	S.RES ERJ3GEYJ 101 V (100)	T	127.2/21.8
R963	7030003860	S.RES ERJ3GE JPW V	T	131.8/12.3
R964	7030003440	S.RES ERJ3GEYJ 102 V (1 k)	T	129.9/12.3
R965	7030003320	S.RES ERJ3GEYJ 101 V (100)	T	136.1/34.1
R966	7030003320	S.RES ERJ3GEYJ 101 V (100)	T	131.9/28
R1000	7030009691	S.RES ERA3YED 101V (100)	B	143.2/25
R1001	7030003320	S.RES ERJ3GEYJ 101 V (100)	T	147.3/34
R1002	7030010390	S.RES ERA3YED 821V (820)	B	141.5/29.3
R1003	7030003320	S.RES ERJ3GEYJ 101 V (100)	B	135.4/33.9
R1004	7030008061	S.RES ERA3YED 222V (2.2 k)	B	132.6/34.2
R1011	7030003480	S.RES ERJ3GEYJ 222 V (2.2 k)	T	66.2/11.7
R1012	7030003490	S.RES ERJ3GEYJ 272 V (2.7 k)	T	66/10.3
R1013	7030003230	S.RES ERJ3GEYJ 180 V (18)	T	70.6/11.4
R1014	7030003360	S.RES ERJ3GEYJ 221 V (220)	T	72.7/10.7
R1015	7030003380	S.RES ERJ3GEYJ 331 V (330)	T	70.7/14.8
R1021	7030003480	S.RES ERJ3GEYJ 222 V (2.2 k)	T	68.2/21.8
R1022	7030003490	S.RES ERJ3GEYJ 272 V (2.7 k)	T	70/21.6
R1023	7030003340	S.RES ERJ3GEYJ 151 V (150)	B	70.3/25.4
R1024	7030003380	S.RES ERJ3GEYJ 331 V (330)	T	64.1/21.2
R1031	7030003440	S.RES ERJ3GEYJ 102 V (1 k)	B	81/42.5
R1032	7030003320	S.RES ERJ3GEYJ 101 V (100)	T	76.6/40
R1033	7030003460	S.RES ERJ3GEYJ 152 V (1.5 k)	B	68/41.3
R1034	7030003640	S.RES ERJ3GEYJ 473 V (47 k)	B	81/44.1
R1035	7030003320	S.RES ERJ3GEYJ 101 V (100)	B	67/46
R1036	7030003860	S.RES ERJ3GE JPW V	B	68/42.8
R1037	7030003480	S.RES ERJ3GEYJ 222 V (2.2 k)	T	70.3/37.

[RF-A UNIT]

REF NO.	ORDER NO.	DESCRIPTION	M.	H/V LOCATION
R1069	7030005321	S.RES ERA3YED 103V (10 k)	B	118.7/26.1
R1070	7030003320	S.RES ERJ3GEYJ 101 V (100)	T	124.5/32.8
R1071	7030003320	S.RES ERJ3GEYJ 101 V (100)	B	133.4/31.4
R1090	7030003380	S.RES ERJ3GEYJ 331 V (330)	B	116.4/43.1
R1091	7030003380	S.RES ERJ3GEYJ 331 V (330)	T	127.4/14
R1092	7310004820	S.TRI EVM-3YSX50 B33 (302)	T	116.8/24
R1093	7030009861	S.RES ERA3YED 471V (470)	B	112.5/40
R1094	7030006091	S.RES ERA3YED 822V (8.2 k)	T	116/18.6
R1095	7030005321	S.RES ERA3YED 103V (10 k)	B	109.2/40
R1096	7030007661	S.RES ERA3YED 331V (330)	B	105/48.8
R1097	7030007661	S.RES ERA3YED 331V (330)	T	119.8/21.8
R1098	7030007230	S.RES ERA3YED 102V (1 k)	B	110/38.2
R1099	7030007230	S.RES ERA3YED 102V (1 k)	T	116/15.6
R1200	7030007230	S.RES ERA3YED 102V (1 k)	B	102.6/45.9
R1201	7030007230	S.RES ERA3YED 102V (1 k)	B	102.9/42.9
R1202	7030007230	S.RES ERA3YED 102V (1 k)	B	115.9/18.2
R1203	7030007230	S.RES ERA3YED 102V (1 k)	B	115.8/15.5
R1204	7030007230	S.RES ERA3YED 102V (1 k)	B	100.9/11.1
R1205	7030007230	S.RES ERA3YED 102V (1 k)	B	99.2/45.9
R1206	7030003520	S.RES ERJ3GEYJ 472 V (4.7 k)	B	93.8/49.7
R1207	7030003460	S.RES ERJ3GEYJ 152 V (1.5 k)	B	97.9/42.9
R1208	7030011050	S.RES ERA3YHD 100V (10)	B	95.3/48.1
R1209	7030011050	S.RES ERA3YHD 100V (10)	B	97.4/8.8
R1210	7030009851	S.RES ERA3YED 271V (270)	B	92.8/44.6
R1211	7030009851	S.RES ERA3YED 271V (270)	B	95.5/13.6
R1212	7030009841	S.RES ERA3YHD 330V (33)	B	86.3/40.8
R1213	7030009841	S.RES ERA3YHD 330V (33)	B	86.3/16
R1214	7030010980	S.RES ERA3YHD 470V (47)	B	86.3/36.5
R1215	7030010980	S.RES ERA3YHD 470V (47)	B	86.3/20.1
R1310	7030003320	S.RES ERJ3GEYJ 101 V (100)	B	99.4/32.7
R1311	7030003320	S.RES ERJ3GEYJ 101 V (100)	B	98.4/24.1
R1312	7030003320	S.RES ERJ3GEYJ 101 V (100)	B	96.9/32
R1313	7030003320	S.RES ERJ3GEYJ 101 V (100)	T	89/28.9
R1314	7030003680	S.RES ERJ3GEYJ 104 V (100 k)	B	94.9/32.7
R1315	7030003400	S.RES ERJ3GEYJ 471 V (470)	B	96.2/25.2
R1316	7030003630	S.RES ERJ3GEYJ 393 V (39 k)	B	99.6/30.2
R1317	7030003280	S.RES ERJ3GEYJ 470 V (47)	B	100.1/25.7
R1318	7030003220	S.RES ERJ3GEYJ 150 V (15)	B	102.6/27.9
R1319	7030003380	S.RES ERJ3GEYJ 331 V (330)	B	101.8/25.7
R1320	7030003380	S.RES ERJ3GEYJ 331 V (330)	B	103.5/25.7
R1321	7030003560	S.RES ERJ3GEYJ 103 V (10 k)	T	89/30.4
C1	4030007170	S.CER C1608 CH 1H 221J-T	T	108.9/90.2
C2	4030011600	S.CER C1608 JB 1E 104K-T	T	114.2/90.5
C20	4030006900	S.CER C1608 JB 1H 103K-T	T	148/96.5
C21	4030006900	S.CER C1608 JB 1H 103K-T	T	148/80.6
C22	4030006900	S.CER C1608 JB 1H 103K-T	T	114.3/57.3
C23	4030006900	S.CER C1608 JB 1H 103K-T	T	110.7/57.3
C24	4030006900	S.CER C1608 JB 1H 103K-T	T	117.4/72.4
C25	4030006860	S.CER C1608 JB 1H 102K-T	T	125.5/69.3
C26	4030006860	S.CER C1608 JB 1H 102K-T	T	109/61.6
C27	4030006860	S.CER C1608 JB 1H 102K-T	T	118.2/74.3
C30	4030018960	S.CER C3216 JB 1C 106MT-N	B	126.5/56.7
C31	4030017490	S.CER C1608 JB 1A 105K-T	T	143.5/68.9
C32	4030006990	S.CER C1608 CH 1H 080D-T	B	137.6/66.8
C33	4030006860	S.CER C1608 JB 1H 102K-T	T	144/61.9
C34	4030010210	S.CER C3216 JB 1C 105M-T	B	129.2/59.6
C35	4030017490	S.CER C1608 JB 1A 105K-T	T	140.8/57.8
C36	4030006860	S.CER C1608 JB 1H 102K-T	B	125.8/62.1
C37	4030017490	S.CER C1608 JB 1A 105K-T	T	137.2/57.8
C38	4030006860	S.CER C1608 JB 1H 102K-T	T	133.8/57.7
C39	4030018810	S.CER C3216 CH 1H 333J-T	B	119/66
C40	4030007090	S.CER C1608 CH 1H 470J-T	B	113.2/66.5
C41	4550006120	S.TAN TEESVA OG 226M8R	T	141.8/54.9
C42	4550006120	S.TAN TEESVA OG 226M8R	T	136.1/55
C50	4030007100	S.CER C1608 CH 1H 560J-T	B	141.1/77.6
C51	4030017490	S.CER C1608 JB 1A 105K-T	T	137/87
C53	4030017490	S.CER C1608 JB 1A 105K-T	T	137/77.7
C55	4030006860	S.CER C1608 JB 1H 102K-T	B	126.9/86.8
C56	4030017490	S.CER C1608 JB 1A 105K-T	B	128.6/86.8
C58	4030009510	S.CER C1608 CH 1H 010B-T	B	123.7/90.5
C59	4030006860	S.CER C1608 JB 1H 102K-T	B	123.8/85.6
C60	4030010210	S.CER C3216 JB 1C 105M-T	B	123.6/83.7
C62	4030010210	S.CER C3216 JB 1C 105M-T	T	117.6/86.2
C63	4030007010	S.CER C1608 CH 1H 100D-T	B	116.4/82.4
C72	4030006860	S.CER C1608 JB 1H 102K-T	B	127/71.9
C73	4030017490	S.CER C1608 JB 1A 105K-T	B	128.8/71.9
C75	4030009510	S.CER C1608 CH 1H 010B-T	B	123.8/75.8
C76	4030006860	S.CER C1608 JB 1H 102K-T	B	122.7/70
C77	4030010210	S.CER C3216 JB 1C 105M-T	B	123.4/67.5
C79	4030010210	S.CER C3216 JB 1C 105M-T	T	117.6/80
C80	4030018960	S.CER C3216 JB 1C 106MT-N	B	117.6/88.7
C90	4030006900	S.CER C1608 JB 1H 103K-T	T	105.2/81.9
C91	4030006900	S.CER C1608 JB 1H 103K-T	T	107/97.8
C110	4030007080	S.CER C1608 CH 1H 390J-T	T	98.6/88.7
C111	4030007030	S.CER C1608 CH 1H 150J-T	T	98.4/84.1
C112	4030007130	S.CER C1608 CH 1H 101J-T	T	94.6/85.6
C113	4030007060	S.CER C1608 CH 1H 270J-T	T	97.7/82.2
C114	4030007080	S.CER C1608 CH 1H 390J-T	B	86.6/88.7
C115	4030007170	S.CER C1608 CH 1H 221J-T	B	83.5/88.7
C116	4030007130	S.CER C1608 CH 1H 101J-T	T	92.6/81.5
C117	4030007100	S.CER C1608 CH 1H 560J-T	B	85.1/87.2
C119	4030007050	S.CER C1608 CH 1H 220J-T	T	98.6/89.9
C120	4030007020	S.CER C1608 CH 1H 120J-T	T	94.6/87.1
C130	4030006860	S.CER C1608 JB 1H 102K-T	T	73.1/95.8
C131	4030006900	S.CER C1608 JB 1H 103K-T	B	88.2/73.9
C132	4030007140	S.CER C1608 CH 1H 121J-T	B	78.1/75.1
C133	4030006900	S.CER C1608 JB 1H 103K-T	T	72.6/98.4
C134	4030007170	S.CER C1608 CH 1H 221J-T	B	78.1/76.6
C135	4030007110	S.CER C1608 CH 1H 680J-T	T	67.1/74.3
C136	4030006900	S.CER C1608 JB 1H 103K-T	B	69.9/96.6
C137	4030007040	S.CER C1608 CH 1H 180J-T	T	71/67.4
C138	4030006900	S.CER C1608 JB 1H 103K-T	T	66.4/98.1

[RF-A UNIT]

REF NO.	ORDER NO.	DESCRIPTION	M.	H/V LOCATION
C139	4030006900	S.CER C1608 JB 1H 103K-T	T	61.7/89.8
C144	4030007020	S.CER C1608 CH 1H 120J-T	T	67.1/73.1
C146	4030011600	S.CER C1608 JB 1E 104K-T	T	81.7/94.8
C150	4030011600	S.CER C1608 JB 1E 104K-T	B	50.6/86.5
C151	4030006880	S.CER C1608 JB 1H 472K-T	B	32.8/81.7
C152	4030011600	S.CER C1608 JB 1E 104K-T	T	36.1/88.3
C170	4030006900	S.CER C1608 JB 1H 103K-T	T	50.7/92
C171	4030009530	S.CER C1608 CH 1H 030B-T	T	48.4/95.2
C172	4030011600	S.CER C1608 JB 1E 104K-T	T	50.7/97.6
C174	4030011600	S.CER C1608 JB 1E 104K-T	T	39.6/94.6
C175	4030011600	S.CER C1608 JB 1E 104K-T	B	43.3/89.2
C190	4030007090	S.CER C1608 CH 1H 470J-T	T	29.5/91.5
C191	4030006900	S.CER C1608 JB 1H 103K-T	T	30.7/91.5
C192	4030011600	S.CER C1608 JB 1E 104K-T	T	37.1/93.1
C193	4030006900	S.CER C1608 JB 1H 103K-T	T	37.1/94.3
C194	4030007050	S.CER C1608 CH 1H 220J-T	T	25.9/94.4
C195	4030006900	S.CER C1608 JB 1H 103K-T	B	30.1/93.6
C196	4030011600	S.CER C1608 JB 1E 104K-T	T	26.3/91
C197	4030006900	S.CER C1608 JB 1H 103K-T	T	25.1/82.2
C198	4030007010	S.CER C1608 CH 1H 100D-T	T	25.1/87.3
C199	4030011600	S.CER C1608 JB 1E 104K-T	T	25.1/88.5
C210	4030006900	S.CER C1608 JB 1H 103K-T	T	68.3/67.4
C211	4030007110	S.CER C1608 CH 1H 680J-T	T	72.1/65.8
C212	4030006860	S.CER C1608 JB 1H 102K-T	B	67.3/66
C213	4030006860	S.CER C1608 JB 1H 102K-T	B	67.3/63.7
C214	4030006900	S.CER C1608 JB 1H 103K-T	T	63.9/66.3
C215	4030007120	S.CER C1608 CH 1H 820J-T	B	55.1/73.3
C216	4030007120	S.CER C1608 CH 1H 820J-T	B	55.2/65.2
C217	4030011340	S.CER C1608 CH 1H 471J-T	T	72.1/64.6
C218	4030007110	S.CER C1608 CH 1H 680J-T	T	69.5/64.6
C290	4030007100	S.CER C1608 CH 1H 560J-T	T	89.3/61.6
C291	4030007000	S.CER C1608 CH 1H 090D-T	T	88.6/63.5
C292	4030007120	S.CER C1608 CH 1H 820J-T	T	87.9/61.6
C293	4030007050	S.CER C1608 CH 1H 220J-T	T	86.4/62.7
C294	4030007080	S.CER C1608 CH 1H 390J-T	T	84.8/59.3
C295	4030007100	S.CER C1608 CH 1H 560J-T	T	80.9/61.3
C296	4030011340	S.CER C1608 CH 1H 471J-T	T	77.9/59.2
C297	4030007070	S.CER C1608 CH 1H 330J-T	T	75.9/59.8
C298	4030007150	S.CER C1608 CH 1H 151J-T	T	75.9/58.5
C299	4030007110	S.CER C1608 CH 1H 680J-T	T	73.3/59.8
C316	4510008540	S.ELE EEE1CA100SR	T	141.3/5.1
C317	4030011600	S.CER C1608 JB 1E 104K-T	B	141/6
C318	4030011600	S.CER C1608 JB 1E 104K-T	B	141/3.4
C319	4510008500	S.ELE EEE1CA101WIP	T	147.3/5.2
C321	4030011600	S.CER C1608 JB 1E 104K-T	T	59.7/62.1
C322	4030011600	S.CER C1608 JB 1E 104K-T	B	64/57.6
C323	4030007000	S.CER C1608 CH 1H 090D-T	T	60.5/54.9
C324	4030006900	S.CER C1608 JB 1H 103K-T	T	64.1/55.6
C380	4030006900	S.CER C1608 JB 1H 103K-T	T	32/76.9
C381	4030006860	S.CER C1608 JB 1H 102K-T	T	30.2/68.5
C382	4030006860	S.CER C1608 JB 1H 102K-T	T	28.4/68.5
C383	4030006860	S.CER C1608 JB 1H 102K-T	T	26.6/75.3
C384	4030006860	S.CER C1608 JB 1H 102K-T	T	32/75.3
C400	4030006900	S.CER C1608 JB 1H 103K-T	T	42.2/68
C401	4030009910	S.CER C1608 CH 1H 040B-T	T	44.5/56.4
C402	4030007030	S.CER C1608 CH 1H 150J-T	T	40.8/49.6
C403	4030009910	S.CER C1608 CH 1H 040B-T	T	43.9/46.6
C404	4030006900	S.CER C1608 JB 1H 103K-T	T	42.8/34.9
C405	4030007060	S.CER C1608 CH 1H 270J-T	T	44.5/57.6
C406	4030011770	S.CER C1608 CH 1H 060B-T	T	40.8/53.4
C407	4030007060	S.CER C1608 CH 1H 270J-T	T	43.9/45.4
C420	4030006900	S.CER C1608 JB 1H 103K-T	T	33.1/70.2
C421	4030009920	S.CER C1608 CH 1H 050B-T	T	35.9/58.6
C422	4030007020	S.CER C1608 CH 1H 120J-T	T	35.9/59.8
C423	4030009920	S.CER C1608 CH 1H 050B-T	T	32.2/55.6
C424	4030009920	S.CER C1608 CH 1H 050B-T	T	32.2/51.8
C425	4030009920	S.CER C1608 CH 1H 050B-T	T	35.3/48.8
C426	4030007020	S.CER C1608 CH 1H 120J-T	T	35.3/47.6
C427	4030006900	S.CER C1608 JB 1H 103K-T	T	35.6/36.6
C440	4030006900	S.CER C1608 JB 1H 103K-T	T	26/68.5
C441	4030006980	S.CER C1608 CH 1H 070D-T	T	27.3/57.6
C442	4030011770	S.CER C1608 CH 1H 060B-T	T	27.3/56.4
C443	4030011770	S.CER C1608 CH 1H 060B-T	T	23.5/53.4
C444	4030009540	S.CER C1608 CH 1H 1R5B-T	T	23.5/49.6
C445	4030011770	S.CER C1608 CH 1H 060B-T	T	26.7/46.6</

[RF-A UNIT]

REF NO.	ORDER NO.	DESCRIPTION	M.	H/V LOCATION
C520	4030010000	S.CER C1608 CH 1H 510J-T	T	20.1/23.2
C521	4030007140	S.CER C1608 CH 1H 121J-T	T	18.1/23.2
C523	4030006900	S.CER C1608 JB 1H 103K-T	T	15.7/21.1
C550	4030011600	S.CER C1608 JB 1E 104K-T	B	4.4/10.8
C551	4030011600	S.CER C1608 JB 1E 104K-T	B	6.2/10.8
C552	4030007010	S.CER C1608 CH 1H 100D-T	B	10.2/18
C553	4030006900	S.CER C1608 JB 1H 103K-T	B	3.6/16.4
C580	4030006980	S.CER C1608 CH 1H 070D-T	B	10.7/12
C581	4030006900	S.CER C1608 JB 1H 103K-T	B	10.7/10.2
C582	4030006900	S.CER C1608 JB 1H 103K-T	B	10.7/5.2
C583	4030007080	S.CER C1608 CH 1H 390J-T	B	24.5/8.3
C584	4030017810	S.CER C1608 CH 1H 102J-T	B	18.7/7.1
C585	4030006960	S.CER C1608 CH 1H 050C-T	B	27.8/10.9
C602	4030006900	S.CER C1608 JB 1H 103K-T	T	39.2/5.5
C611	4030007060	S.CER C1608 CH 1H 270J-T	T	35.7/3.2
C612	4030010760	S.CER C1608 CH 1H 331J-T	T	34.4/3.2
C613	4030007130	S.CER C1608 CH 1H 101J-T	T	30.9/8
C614	4030007130	S.CER C1608 CH 1H 101J-T	T	30.9/3.5
C620	4030006860	S.CER C1608 JB 1H 102K-T	B	19.4/9
C621	4030011600	S.CER C1608 JB 1E 104K-T	B	19.5/3.9
C622	4030011600	S.CER C1608 JB 1E 104K-T	T	26.9/4.5
C623	4550003210	S.TAN TEESVD21D226M12R	T	87.9/5.3
C624	4030011600	S.CER C1608 JB 1E 104K-T	B	82.6/7.1
C625	4030011600	S.CER C1608 JB 1E 104K-T	B	82.7/4.2
C626	4510008540	S.ELE EEE1CA100SR	T	93.2/5.4
C640	4030011600	S.CER C1608 JB 1E 104K-T	T	45.8/6.8
C642	4030007100	S.CER C1608 CH 1H 560J-T	T	43.3/4.2
C643	4510008540	S.ELE EEE1CA100SR	T	52/5.8
C644	4030006990	S.CER C1608 CH 1H 080D-T	T	44.5/4.2
C660	4030007100	S.CER C1608 CH 1H 560J-T	T	49.9/2.4
C671	4030007090	S.CER C1608 CH 1H 470J-T	T	55.6/4.4
C672	4030011600	S.CER C1608 JB 1E 104K-T	T	56.6/9
C673	4030011600	S.CER C1608 JB 1E 104K-T	T	58.4/9.1
C701	4030006900	S.CER C1608 JB 1H 103K-T	B	64.8/8.5
C705	4030006900	S.CER C1608 JB 1H 103K-T	B	58.9/7.4
C706	4030006900	S.CER C1608 JB 1H 103K-T	T	63.1/3.8
C707	4030006900	S.CER C1608 JB 1H 103K-T	T	63.1/7.6
C708	4030006900	S.CER C1608 JB 1H 103K-T	T	66.1/5
C709	4030007080	S.CER C1608 CH 1H 390J-T	T	66.6/2.9
C710	4030007110	S.CER C1608 CH 1H 680J-T	T	65.3/2.9
C730	4030007120	S.CER C1608 CH 1H 820J-T	T	47.4/20.8
C731	4030007020	S.CER C1608 CH 1H 120J-T	T	49.3/21.3
C732	4030007140	S.CER C1608 CH 1H 121J-T	T	47.4/22
C733	4030007070	S.CER C1608 CH 1H 330J-T	T	50.5/23.3
C734	4030007110	S.CER C1608 CH 1H 680J-T	T	48/24.7
C735	4030011600	S.CER C1608 JB 1E 104K-T	T	38.1/24.1
C736	4030007050	S.CER C1608 CH 1H 220J-T	T	46.6/24.7
C737	4030007110	S.CER C1608 CH 1H 680J-T	T	42.5/24.8
C738	4030006900	S.CER C1608 JB 1H 103K-T	T	38.1/18.7
C740	4030006900	S.CER C1608 JB 1H 103K-T	T	38.1/21.4
C800	4030006900	S.CER C1608 JB 1H 103K-T	T	108.3/11.1
C801	4030011340	S.CER C1608 CH 1H 471J-T	B	116.3/8.3
C802	4030006900	S.CER C1608 JB 1H 103K-T	B	150.9/9.1
C803	4030011340	S.CER C1608 CH 1H 471J-T	B	118.5/8.3
C804	4030006900	S.CER C1608 JB 1H 103K-T	T	151.6/35
C805	4030011340	S.CER C1608 CH 1H 471J-T	B	121.3/9.5
C806	4030011600	S.CER C1608 JB 1E 104K-T	T	155.6/46.8
C807	4030011600	S.CER C1608 JB 1E 104K-T	T	155.6/39
C850	4510008540	S.ELE EEE1CA100SR	T	154.6/12.1
C851	4030011600	S.CER C1608 JB 1E 104K-T	B	154.7/11.7
C852	4030011600	S.CER C1608 JB 1E 104K-T	B	154.4/18.3
C853	4510008500	S.ELE EEE1CA101WP	T	153.9/18.2
C903	4030011600	S.CER C1608 JB 1E 104K-T	T	137.1/16
C905	4030011600	S.CER C1608 JB 1E 104K-T	B	142.5/21.6
C950	4030017810	S.CER C1608 CH 1H 102J-T	T	130.3/23.6
C951	4030011600	S.CER C1608 JB 1E 104K-T	T	133.6/12.3
C952	4030011600	S.CER C1608 JB 1E 104K-T	T	128.5/20.1
C956	4030011600	S.CER C1608 JB 1E 104K-T	T	137.3/34.1
C957	4030011600	S.CER C1608 JB 1E 104K-T	T	129.2/28
C1000	4030007050	S.CER C1608 CH 1H 220J-T	B	147.9/32
C1001	4030011600	S.CER C1608 JB 1E 104K-T	B	145.3/29.3
C1002	4510008500	S.ELE EEE1CA101WP	T	142.4/26.3
C1003	4510008500	S.ELE EEE1CA101WP	T	142.3/33.7
C1004	4030017870	S.CER C1608 CH 1H 681J-T	B	141.5/27.8
C1005	4030011600	S.CER C1608 JB 1E 104K-T	B	137.2/33.9
C1011	4030007110	S.CER C1608 CH 1H 680J-T	T	66/7.7
C1012	4030006900	S.CER C1608 JB 1H 103K-T	T	66/9
C1013	4030011600	S.CER C1608 JB 1E 104K-T	T	64.7/12.9
C1014	4030011600	S.CER C1608 JB 1E 104K-T	T	72.7/12.1
C1015	4030011600	S.CER C1608 JB 1E 104K-T	T	66.8/15.2
C1016	4030006900	S.CER C1608 JB 1H 103K-T	T	72/14.7
C1021	4030006900	S.CER C1608 JB 1H 103K-T	T	74.4/22.5
C1022	4030011600	S.CER C1608 JB 1E 104K-T	T	68.2/20.5
C1023	4030011600	S.CER C1608 JB 1E 104K-T	T	70.5/25.4
C1024	4030011600	S.CER C1608 JB 1E 104K-T	T	64.1/20
C1025	4030006900	S.CER C1608 JB 1H 103K-T	T	66.1/25.6
C1030	4510008540	S.ELE EEE1CA100SR	T	76.4/43.8
C1031	4030011600	S.CER C1608 JB 1E 104K-T	B	76.5/40.3
C1032	4030011600	S.CER C1608 JB 1E 104K-T	B	72.5/47.1
C1033	4510008540	S.ELE EEE1CA100SR	T	71.5/44.2
C1034	4030011600	S.CER C1608 JB 1E 104K-T	T	68.9/35.2
C1035	4030007120	S.CER C1608 CH 1H 820J-T	T	70.3/36.5
C1036	4510008500	S.ELE EEE1CA101WP	T	58.8/28
C1037	4030011600	S.CER C1608 JB 1E 104K-T	T	67.8/32.6
C1038	4030006860	S.CER C1608 JB 1H 102K-T	T	70.3/32
C1039	4030011600	S.CER C1608 JB 1E 104K-T	T	76.9/34.2
C1040	4030011600	S.CER C1608 JB 1E 104K-T	T	76.9/35.4
C1041	4030006900	S.CER C1608 JB 1H 103K-T	T	73.8/30.4
C1044	4030011600	S.CER C1608 JB 1E 104K-T	B	74.3/29.4
C1047	4030008880	S.CER C1608 JB 1H 223K-T	B	73.9/39
C1048	4510008540	S.ELE EEE1CA100SR	T	66.7/43.8
C1049	4030007130	S.CER C1608 CH 1H 101J-T	B	75.7/37.3
C1050	4030008880	S.CER C1608 JB 1H 223K-T	B	71.3/29.3
C1060	4030011600	S.CER C1608 JB 1E 104K-T	B	132/36

[RF-A UNIT]

REF NO.	ORDER NO.	DESCRIPTION	M.	H/V LOCATION
C1061	4030007150	S.CER C1608 CH 1H 151J-T	B	118.7/34.1
C1063	4030017870	S.CER C1608 CH 1H 681J-T	B	118.7/29.3
C1064	4030011330	S.CER C1608 CH 1H 391J-T	B	118.7/27.7
C1065	4510008500	S.ELE EEE1CA101WP	T	121.9/37.1
C1066	4030011600	S.CER C1608 JB 1E 104K-T	T	124.5/31.5
C1067	4030011600	S.CER C1608 JB 1E 104K-T	B	131.6/31.4
C1068	4510008500	S.ELE EEE1CA101WP	T	122.6/27.3
C1090	4030007050	S.CER C1608 CH 1H 220J-T	T	115.6/45
C1091	4030007050	S.CER C1608 CH 1H 220J-T	B	128.2/19.6
C1092	4030011600	S.CER C1608 JB 1E 104K-T	B	115.6/45.2
C1093	4030011600	S.CER C1608 JB 1E 104K-T	B	128.3/17.1
C1094	4510008540	S.ELE EEE1CA100SR	T	112.5/45.3
C1095	4510008540	S.ELE EEE1CA100SR	T	124.8/17.5
C1096	4510008540	S.ELE EEE1CA100SR	T	107.5/45.4
C1097	4030007110	S.CER C1608 CH 1H 680J-T	B	122.8/21.5
C1098	4030007110	S.CER C1608 CH 1H 680J-T	B	110/41.5
C1099	4510008540	S.ELE EEE1CA100SR	T	119.9/17.5
C1100	4030011600	S.CER C1608 JB 1E 104K-T	B	107.7/48.8
C1101	4030011600	S.CER C1608 JB 1E 104K-T	B	119.1/21.9
C1200	4030011600	S.CER C1608 JB 1E 104K-T	B	101.2/42.9
C1201	4510008540	S.ELE EEE1CA100SR	T	94.8/45.8
C1202	4030008880	S.CER C1608 JB 1H 223K-T	B	99.3/47.5
C1203	4030008880	S.CER C1608 JB 1H 223K-T	B	112.8/17.9
C1204	4030010760	S.CER C1608 CH 1H 331J-T	B	99.6/42.9
C1205	4030010760	S.CER C1608 CH 1H 331J-T	B	101.2/13.6
C1206	4030007010	S.CER C1608 CH 1H 100D-T	B	92.8/47.3
C1207	4030007010	S.CER C1608 CH 1H 100D-T	B	95.5/10.8
C1208	4030017480	S.CER C1608 JB 1A 474K-T	B	96.2/42.9
C1209	4030017480	S.CER C1608 JB 1A 474K-T	B	97.4/14.2
C1210	4030006900	S.CER C1608 JB 1H 103K-T	B	94.6/42.9
C1211	4030006900	S.CER C1608 JB 1H 103K-T	B	99.3/14.2
C1212	4550007660	S.TAN F931E105MAABMA	B	87.6/44.4
C1213	4550007660	S.TAN F931E105MAABMA	B	87.3/13.5
C1214	4030018640	S.CER C2012 CH 1H 103J-T	B	88.5/35.5
C1215	4030018640	S.CER C2012 CH 1H 103J-T	B	88.5/21
C1216	4030011600	S.CER C1608 JB 1E 104K-T	B	101.2/8.9
C1255	4030007120	S.CER C1608 CH 1H 820J-T	B	79.2/28.5
C1256	4030007120	S.CER C1608 CH 1H 820J-T	B	79.3/20.8
C1310	4030006900	S.CER C1608 JB 1H 103K-T	B	85.8/30.9
C1311	4030011600	S.CER C1608 JB 1E 104K-T	T	90.4/32.3
C1312	4030017810	S.CER C1608 CH 1H 102J-T	B	99.2/35.7
C1313	4030017810	S.CER C1608 CH 1H 102J-T	B	98.6/21.1
C1314	4610001970	S.TRI TZC3P200A110R00	T	85.5/29.3
C1315	4030007050	S.CER C1608 CH 1H 220J-T	T	85.5/25.8
C1316	4030006860	S.CER C1608 JB 1H 102K-T	B	96.2/28.2
C1317	4030011600	S.CER C1608 JB 1E 104K-T	B	94.2/24.7
C1318	4030006900	S.CER C1608 JB 1H 103K-T	B	102.2/30.2
C1319	4550007200	S.TAN F930J476MBABMA	B	91.3/28.4
C1320	4030006900	S.CER C1608 JB 1H 103K-T	B	93.6/32.3
RL20	6330001721	R.LY ATN207-K1		
RL21	6330001721	R.LY ATN207-K1		
RL90	6330001721	R.LY ATN207-K1		
RL91	6330001721	R.LY ATN207-K1		
J1	6510007020	CNR TMP-J01X-V6		
J2	6510007020	CNR TMP-J01X-V6		
J190	6510007020	CNR TMP-J01X-V6		
J210	6510007020	CNR TMP-J01X-V6		
J290	6510007020	CNR TMP-J01X-V6		
J500	6510007020	CNR TMP-J01X-V6		
J671	6510007020	CNR TMP-J01X-V6		
J730	6510007020	CNR TMP-J01X-V6		
J800	6510019981	S.CNR 52808-1671 (1690)	T	116/5.8
J900	6510018961	S.CNR B2B-PH-SM4-TB (LF) (SN)	T	152.9/27.8
J1310	6510007020	CNR TMP-J01X-V6		
EP130	6910014730	S.BEA MPZ2012S331A-T	B	91.1/75.4
EP401	6910002161	CAS CASE-BM7H-LF		
EP402	6910002161	CAS CASE-BM7H-LF		
EP421	6910002161	CAS CASE-BM7H-LF		
EP422	6910002161	CAS CASE-BM7H-LF		
EP441	6910002161	CAS CASE-BM7H-LF		
EP442	6910002161	CAS CASE-BM7H-LF		
EP461	6910002161	CAS CASE-BM7H-LF		
EP462	6910002161	CAS CASE-BM7H-LF		
EP481	6910002161	CAS CASE-BM7H-LF		
EP482	6910002161	CAS CASE-BM7H-LF		
EP800	6910015970	S.BEA MMZ1608B 301CT-AS	T	115.5/10.4
EP801	6910015970	S.BEA MMZ1608B 301CT-AS	T	116.7/10.4
EP802	6910015970	S.BEA MMZ1608B 301CT-AS	T	117.9/10.4
EP803	6910015970	S.BEA MMZ1608B 301CT-AS	T	112.5

[RF-B UNIT]

REF NO.	ORDER NO.	DESCRIPTION	M.	H/V LOCATION
IC801	1110006180	S.IC UPG2009TB-E3	T	43.1/114.5
IC802	1110006180	S.IC UPG2009TB-E3	T	41.8/80.8
IC1201	1110006970	S.IC MAALSS0038TR	T	29.7/99
IC1202	1110007090	S.IC NJG1608KB2-TE1-#ZZZB	T	26.2/58.2
IC1203	1110007090	S.IC NJG1608KB2-TE1-#ZZZB	T	29.6/71.2
IC1204	1110007090	S.IC NJG1608KB2-TE1-#ZZZB	T	29.6/65.4
IC1241	1110006970	S.IC MAALSS0038TR	T	44.5/70.2
IC1251	1110006970	S.IC MAALSS0038TR	T	51.6/64
IC1302	1110006970	S.IC MAALSS0038TR	T	103/9.8
IC1601	1180001071	S.IC TA7805F (TE16L,Q)	B	8.3/110.8
IC1602	1180001071	S.IC TA7805F (TE16L,Q)	B	152.6/28.7
IC1603	1130011530	S.IC CD74HC4094M96	B	135.5/54.7
IC1604	1130011530	S.IC CD74HC4094M96	B	135.5/42.9
IC1605	1130011530	S.IC CD74HC4094M96	B	7.4/79.9
IC1607	1130005721	S.IC TC7W04F (TE12L,F)	T	99.5/51.6
IC1608	1180001251	S.IC TA7808F (TE16L,Q)	B	161.1/41.1
IC1701	1110002700	S.IC NJM2904M-TE1-#FMZB	T	86.6/50.7
IC1703	1160000131	S.IC TD62783AF (5,S,EL)	T	123.4/52.9
IC5004	1180002770	S.REG BAJ0CC0FF-E2	B	151.5/63.2
Q1201	1590003630	S.TR EMD29-T2R	T	22.5/92.5
Q1202	1590003520	S.TR BCR108T	T	
		except [FRA], [AUS], [CHN]	T	18.3/78.3
	1590003940	S.TR RN1105 (TE85L,F)	T	18.3/78.3
		[FRA], [AUS], [CHN]	T	56.9/71.1
Q1241	1590003630	S.TR EMD29-T2R	T	
Q1251	1590003530	S.TR BCR08PN	T	
		except [FRA], [AUS], [CHN]	T	74.2/52.2
	1590003930	S.TR UMD22N TR [FRA], [AUS], [CHN]	T	74.2/52.2
Q1252	1590003530	S.TR BCR08PN	T	
		except [FRA], [AUS], [CHN]	T	74.2/49.1
	1590003930	S.TR UMD22N TR [FRA], [AUS], [CHN]	T	74.2/49.1
Q1253	1590003530	S.TR BCR08PN	T	
		except [FRA], [AUS], [CHN]	T	74.2/45.9
	1590003630	S.TR UMD29-T2R [FRA], [AUS], [CHN]	T	74.2/45.9
Q1254	1590003630	S.TR EMD22N TR	T	74.1/55
Q1302	1590003530	S.TR BCR08PN	T	
		except [FRA], [AUS], [CHN]	T	106.9/23.1
	1590003930	S.TR UMD22N TR [FRA], [AUS], [CHN]	T	106.9/23.1
Q1304	1590003530	S.TR BCR08PN	T	
		except [FRA], [AUS], [CHN]	T	104.4/23.1
	1590003930	S.TR UMD22N TR [FRA], [AUS], [CHN]	T	104.4/23.1
Q1401	1590003530	S.TR BCR08PN	T	
		except [FRA], [AUS], [CHN]	T	135.3/39.2
	1590003930	S.TR UMD22N TR [FRA], [AUS], [CHN]	T	135.3/39.2
Q1402	1590003530	S.TR BCR08PN	T	
		except [FRA], [AUS], [CHN]	T	130.3/39.2
	1590003930	S.TR UMD22N TR [FRA], [AUS], [CHN]	T	130.3/39.2
Q1403	1590003530	S.TR BCR08PN	T	
		except [FRA], [AUS], [CHN]	T	132.8/39.2
	1590003930	S.TR UMD22N TR [FRA], [AUS], [CHN]	T	132.8/39.2
Q1601	1550000090	S.FET RSQ035P03TR	T	154.2/37.6
Q1602	1590003520	S.TR BCR108T	T	
		except [FRA], [AUS], [CHN]	T	160.1/39.1
	1590003940	S.TR RN1105 (TE85L,F)	T	160.1/39.1
		[FRA], [AUS], [CHN]	T	
D101	1790001621	S.DIO 1SV308 (TPL3,F)	B	139.1/112.4
D106	1790001621	S.DIO 1SV308 (TPL3,F)	B	136.7/72.7
D201	1790001621	S.DIO 1SV308 (TPL3,F)	B	137.4/111.6
D206	1790001621	S.DIO 1SV308 (TPL3,F)	B	134.8/73.4
D301	1790001621	S.DIO 1SV308 (TPL3,F)	B	123.5/111.6
D306	1790001621	S.DIO 1SV308 (TPL3,F)	B	121.7/73.4
D401	1790001621	S.DIO 1SV308 (TPL3,F)	B	108.3/111.7
D407	1790001621	S.DIO 1SV308 (TPL3,F)	B	108.8/73.5
D501	1790001621	S.DIO 1SV308 (TPL3,F)	B	94.5/111.6
D507	1790001621	S.DIO 1SV308 (TPL3,F)	B	95.1/73.5
D601	1790001621	S.DIO 1SV308 (TPL3,F)	B	82.2/111.7
D606	1790001621	S.DIO 1SV308 (TPL3,F)	B	79.2/72.8
D607	1790001621	S.DIO 1SV308 (TPL3,F)	B	84.8/112.5
D608	1790001621	S.DIO 1SV308 (TPL3,F)	B	82.5/72
D701	1790001621	S.DIO 1SV308 (TPL3,F)	B	75.7/112.5
D702	1790001621	S.DIO 1SV308 (TPL3,F)	B	74/111.7
D707	1790001621	S.DIO 1SV308 (TPL3,F)	B	67.5/73.3
D708	1790001621	S.DIO 1SV308 (TPL3,F)	B	67.5/72
D802	1790001621	S.DIO 1SV308 (TPL3,F)	B	59.6/111.1
D809	1790001621	S.DIO 1SV308 (TPL3,F)	B	55.6/76.9
D831	1750000461	S.DIO 1SV246-TL-E	B	42.7/75.2
D1204	1750001051	S.VCP HVC417CTRU-E	T	25.3/80.2
D1205	1750001051	S.VCP HVC417CTRU-E	T	22.8/80.2
D1206	1750001051	S.VCP HVC417CTRU-E	T	26.5/81.5
D1207	1750001051	S.VCP HVC417CTRU-E	T	22.9/81.5
D1251	1790001621	S.DIO 1SV308 (TPL3,F)	T	63.1/60.6
D1252	1790001621	S.DIO 1SV308 (TPL3,F)	T	61.8/60.6
D1253	1790001621	S.DIO 1SV308 (TPL3,F)	T	60.5/60.6
D1256	1720000261	S.VCP 1SV214 (TPH2,F)	T	44.2/48.7
D1257	1720000261	S.VCP 1SV214 (TPH2,F)	T	45.8/46.4
D1258	1790001621	S.DIO 1SV308 (TPL3,F)	T	61.2/45.9
D1259	1790001621	S.DIO 1SV308 (TPL3,F)	T	59.2/46.7
D1260	1790001621	S.DIO 1SV308 (TPL3,F)	T	39.8/47.1
D1261	1790001621	S.DIO 1SV308 (TPL3,F)	T	39.8/45.9
D1301	1790001621	S.DIO 1SV308 (TPL3,F)	B	63.7/20.1
D1302	1790001621	S.DIO 1SV308 (TPL3,F)	T	62.4/22.7
D1303	1790001621	S.DIO 1SV308 (TPL3,F)	B	98.8/13.2
D1304	1790001621	S.DIO 1SV308 (TPL3,F)	B	100.6/14
D1601	1750000520	S.DIO DAN222TL	T	142.6/42.5
D1602	1750000520	S.DIO DAN222TL	T	107.4/46
D1603	1750000520	S.DIO DAN222TL	T	102.1/45.8
FI1315	4580000210	FIL FL-403		
FI1316	4580000210	FIL FL-403		

[RF-B UNIT]

REF NO.	ORDER NO.	DESCRIPTION	M.	H/V LOCATION
L101	6200003261	S.COL NLV32T-101J	B	153.5/106.9
L102	6200010530	S.COL C2520C-R56G-A (0.56U)	T	152/104.4
L103	6200011450	S.COL C2520C-R39G-A	T	151.5/100.8
L104	6200010870	S.COL C2520C-R39G-A (0.33U)	T	152/97.1
L105	6200010670	S.COL C2520C-R18G-A (0.18U)	T	147.7/91.5
L106	6200010660	S.COL C2520C-R15G-A (0.15U)	T	148.5/87.9
L107	6200010860	S.COL C2520C-R10G-A (0.1U)	T	148.1/84.1
L110	6200003261	S.COL NLV32T-101J	B	151/77.7
L201	6200003261	S.COL NLV32T-101J	B	140.2/106.9
L202	6200010870	S.COL C2520C-R39G-A (0.33U)	T	138.9/104.6
L203	6200010680	S.COL C2520C-R22G-A (0.22U)	T	138.3/100.7
L204	6200010670	S.COL C2520C-R18G-A (0.18U)	T	138.8/97
L205	6200010650	S.COL C2520C-R12G-A (0.12U)	T	134.6/91.3
L206	6200010860	S.COL C2520C-R10G-A (0.1U)	T	135.4/87.8
L207	6200010730	S.COL C2520C-68NG-A	T	134.8/84.1
L210	6200003261	S.COL NLV32T-101J	B	137.5/78.3
L301	6200003261	S.COL NLV32T-101J	B	126.5/106.9
L302	6200010670	S.COL C2520C-R18G-A (0.18U)	T	125.1/104.5
L303	6200010650	S.COL C2520C-R12G-A (0.12U)	T	124.7/100.7
L304	6200010650	S.COL C2520C-R12G-A (0.12U)	T	125.2/96.9
L305	6200011410	S.COL C2520C-82NG-A	T	
		except [FRA], [AUS], [CHN]	T	120.5/91.4
	6200012990	S.COL 0.25-1.9-9TL 84.0N <COMO>	T	
		[FRA], [AUS], [CHN]	T	120.5/91.4
L306	6200010730	S.COL C2520C-68NG-A	T	
		except [FRA], [AUS], [CHN]	T	121.3/87.7
	6200012450	S.COL 0.25-1.9-8TL 73N (COAT) <COMO>	T	
		[FRA], [AUS], [CHN]	T	121.3/87.7
L307	6200010720	S.COL C2520C-56NG-A	T	
		except [FRA], [AUS], [CHN]	T	121/84.1
	6200011800	S.COL C2520C-47NG-A	T	
		[FRA], [AUS], [CHN]	T	121/84.1
L310	6200003261	S.COL NLV32T-101J	B	124.2/78.3
L401	620001831	S.COL NLV32T-100J	B	111.2/106.9
L402	6200010670	S.COL C2520C-R18G-A (0.18U)	T	109.9/104.4
L403	6200010860	S.COL C2520C-R10G-A (0.1U)	T	110.6/100.7
L404	6200011410	S.COL C2520C-82NG-A	T	109.9/97.1
L405	6200010720	S.COL C2520C-56NG-A	T	106.9/90.1
L406	6200011800	S.COL C2520C-47NG-A	T	107.7/86.5
L407	6200012360	S.COL C2520C-33NG-A	T	107.3/82.8
L411	620001831	S.COL NLV32T-100J	B	111.7/77.8
L501	620001831	S.COL NLV32T-100J	B	97.4/107
L502	6200011410	S.COL C2520C-82NG-A	T	96/104.5
L503	6200010720	S.COL C2520C-56NG-A	T	96.8/100.8
L504	6200011800	S.COL C2520C-47NG-A	T	96.1/97
L505	6200012360	S.COL C2520C-33NG-A	T	92.9/90.1
L506	6200010760	S.COL C2520C-27NG-A	T	93.7/86.4
L507	6200010590	S.COL C2520C-22NG-A	T	93.7/82.7
L511	620001831	S.COL NLV32T-100J	B	96.6/79.6
L601	6200003331	S.COL NLV32T-1R0J	B	86.9/107.8
L602	6200010940	S.COL C2520C-39NG-A	T	79.6/105.2
L603	6200010760	S.COL C2520C-27NG-A	T	80.3/101.9
L604	6200010760	S.COL C2520C-27NG-A	T	79.3/98
L605	6200010760	S.COL C2520C-27NG-A	T	82.8/94
L606	6200010590	S.COL C2520C-22NG-A	T	82.9/87.7
L607	6200010030	S.COL C2012C-15NG-A	T	82.4/84
L611	6200003331	S.COL NLV32T-1R0J	B	84.4/76.4
L701	6200010760	S.COL C2520C-27NG-A	T	64.8/105.6
L702	6200003331	S.COL NLV32T-1R0J	B	73.5/105.6
L703	6200010590	S.COL C2520C-22NG-A	T	66.2/101.7
L704	6200012140	S.COL C2520C-18NG-A	T	64.9/97.8
L705	6200012140	S.COL C2520C-18NG-A	T	68.1/94.2
L706	6200010030	S.COL C2012C-15NG-A	T	67.6/87.7
L707	6200011690	S.COL C2520C-12NG-A	T	67.8/83.7
L713	6200003331	S.COL NLV32T-1R0J	B	71.2/76.9
L801	6200003331	S.COL NLV32T-1R0J	B	59.5/105.4
L802	6200009070	S.COL LQW18AN18NG00D (LQW1608A18NG00)	T	52.5/104.6
L803	6200009220	S.COL LQW18AN15NG00D (LQW1608A15NG00)	T	52.8/101.3
L804	6200010700	S.COL LQW18AN12NG00D	T	52.1/98.3
L805	6200010700	S.COL LQW18AN12NG00D	T	56.8/94.1
L806	6200011730	S.COL LQW18AN10NG00D	T	56/91.8
L807	6200010130	S.COL LQW18AN6N8C00D	T	55.6/88.6
L811	6200003331	S.COL NLV32T-1R0J	B	56.5/79.9
L901	6200009220	S.COL LQW18AN15NG00D (LQW1608A15NG00)	T	38.3/104.3
L902	6200011730	S.COL LQW18AN10NG00D	T	39.2/101.2
L903	6200010630	S.COL LQW18AN8N2D00D	T	38.4/98.1
L904	6200010630	S.COL LQW18AN8N2D00D	T	42.8/93.8
L905	6200010130	S.COL LQW18AN6N8C00D	T	42.1/91.5
L906	6200010120	S.COL LQW18AN5N6C00D	T	40.9/87.4
L1201	6200001831	S.COL NLV32T-100J	T	24.6/96.8
L1203	6200005641	S.COL ELJRE 6N8ZFA	T	27.9/80.2
L1204	6200005621	S.COL ELJRE 4N7ZFA	T	28.7/82.3
L1205	6200006771	S.COL ELJRE 1N5ZFA	T	29.3/88.3
L1207	6200006781	S.COL ELJRE 1N8ZFA	T	28.7/90.4
L1212	6200010940	S.COL C2520C-39NG-A	T	28.3/96
L1231	6200005611	S.COL ELJRE 3N9ZFA	T	26.4/68.3
L1241	6200010670	S.COL C2520C-R18G-A (0.18U)	T	47.3/70.7
L1242	6200001831	S.COL NLV32T-100J	T	53.7/71.5
L1251	6200001831	S.COL NLV32T-100J	T	58.5/66.8
L1252	6200010670	S.COL C2520C-R18G-A (0.18U)	T	54.7/66.1
L1253	6200003331	S.COL NLV32T-1R0J	T	51.9/54.7
L1254	6200005701	S.COL ELJRE 2N2GFA	T	52.4/47.2
L1255	6200005631	S.COL ELJRE 5N6ZFA	T	48.5/55.3
L1256	6200005721	S.COL ELJRE 3N3GFA	T	63.7/53.1
L1257	6200005671	S.COL ELJRE 12NGFA	T	59.2/53.1
L12				

[RF-B UNIT]

REF NO.	ORDER NO.	DESCRIPTION	M.	H/V LOCATION
L1266	6200001831	S.COL NLV32T-100J	B	66.8/47.6
L1267	6200003331	S.COL NLV32T-1R0J	B	62.3/44.8
L1268	6200003331	S.COL NLV32T-1R0J	B	39.9/45.1
L1301	6200002631	S.COL NLV25T-1R0J	B	67.8/15.6
L1302	6200001981	S.COL NLV25T-1R0J	B	62.1/29.5
L1303	6200010590	S.COL C2520C-22NG-A	T	67.2/19.4
L1304	6200010590	S.COL C2520C-22NG-A	T	74.4/19.4
L1305	6200010590	S.COL C2520C-22NG-A	T	82.3/19.2
L1306	6200010590	S.COL C2520C-22NG-A	T	89.6/19.9
L1307	6200010030	S.COL C2012C-15NG-A	T	93.4/24.5
L1308	6200001981	S.COL NLV25T-1R0J	B	102.8/18.4
L1309	6200002631	S.COL NLV25T-1R0J	T	101/17.4
L1311	6200007710	S.COL LQW2BHN27NJ03L	B	98.3/20.7
L1341	6200010670	S.COL C2520C-R18G-A (0.18U)	T	103.9/13.6
L1342	6200001831	S.COL NLV32T-100J	T	105.4/17.5
R102	7030003320	S.RES ERJ3GEYJ 101 V (100)	B	156.5/102.7
R111	7030003320	S.RES ERJ3GEYJ 101 V (100)	B	152.4/74.9
R202	7030003320	S.RES ERJ3GEYJ 101 V (100)	B	144.3/104.7
R211	7030003320	S.RES ERJ3GEYJ 101 V (100)	B	140.6/77.5
R302	7030003320	S.RES ERJ3GEYJ 101 V (100)	B	130.6/104.7
R311	7030003320	S.RES ERJ3GEYJ 101 V (100)	B	127.5/77.6
R402	7030003320	S.RES ERJ3GEYJ 101 V (100)	B	115.3/104.6
R411	7030003320	S.RES ERJ3GEYJ 101 V (100)	B	113.9/75.7
R502	7030003320	S.RES ERJ3GEYJ 101 V (100)	B	101.4/104.8
R511	7030003320	S.RES ERJ3GEYJ 101 V (100)	B	98/76.6
R601	7030003320	S.RES ERJ3GEYJ 101 V (100)	B	87.6/102.4
R611	7030003320	S.RES ERJ3GEYJ 101 V (100)	B	88/76.5
R701	7030003320	S.RES ERJ3GEYJ 101 V (100)	B	74.9/102.8
R711	7030003320	S.RES ERJ3GEYJ 101 V (100)	B	74.7/76.4
R801	7030009810	S.RES ERJ12YJ821U (820)	B	54.6/112.6
R803	7030003320	S.RES ERJ3GEYJ 101 V (100)	B	60.8/102.7
R812	7030003320	S.RES ERJ3GEYJ 101 V (100)	B	59.9/77.3
R813	7030009810	S.RES ERJ12YJ821U (820)	B	50.7/75.9
R816	7030003440	S.RES ERJ3GEYJ 102 V (1 k)	B	39.3/77.3
R817	7030003440	S.RES ERJ3GEYJ 102 V (1 k)	B	40.9/118.5
R818	7030003440	S.RES ERJ3GEYJ 102 V (1 k)	B	42.5/118.4
R819	7030003440	S.RES ERJ3GEYJ 102 V (1 k)	B	44.3/77.3
R820	7030003520	S.RES ERJ3GEYJ 472 V (4.7 k)	T	37.9/115.8
R821	7030003440	S.RES ERJ3GEYJ 102 V (1 k)	B	47.1/78.5
R1201	7030003440	S.RES ERJ3GEYJ 102 V (1 k)	T	23.1/62.9
R1202	7030003440	S.RES ERJ3GEYJ 102 V (1 k)	T	23.1/53.5
R1206	7030003680	S.RES ERJ3GEYJ 104 V (100 k)	T	26.6/83
R1207	7030003680	S.RES ERJ3GEYJ 104 V (100 k)	T	25.3/77.9
R1208	7030003640	S.RES ERJ3GEYJ 473 V (47 k)	B	22.9/80
R1209	7030003640	S.RES ERJ3GEYJ 473 V (47 k)	B	22.9/81.6
R1210	7030003440	S.RES ERJ3GEYJ 102 V (1 k)	B	39.3/71.5
R1211	7030003440	S.RES ERJ3GEYJ 102 V (1 k)	B	24.2/72.3
R1212	7030003440	S.RES ERJ3GEYJ 102 V (1 k)	B	26.5/64.3
R1213	7030003440	S.RES ERJ3GEYJ 102 V (1 k)	B	32.9/64.3
R1214	7030003440	S.RES ERJ3GEYJ 102 V (1 k)	B	17.8/78
R1234	7030003680	S.RES ERJ3GEYJ 104 V (100 k)	T	72/49.1
R1241	7030004030	S.RES ERJ3GEYJ 5R6 V (5.6)	T	39.4/73
R1242	7030003430	S.RES ERJ3GEYJ 821 V (820)	T	37.6/73.8
R1243	7030003430	S.RES ERJ3GEYJ 821 V (820)	T	37.6/72.3
R1251	7030003270	S.RES ERJ3GEYJ 390 V (39)	T	46.5/64
R1252	7030003340	S.RES ERJ3GEYJ 151 V (150)	T	44.6/73.3
R1253	7030003340	S.RES ERJ3GEYJ 151 V (150)	T	45.7/61.9
R1254	7030003340	S.RES ERJ3GEYJ 151 V (150)	T	57.4/61.4
R1255	7030004030	S.RES ERJ3GEYJ 5R6 V (5.6)	T	58.2/63.4
R1256	7030003430	S.RES ERJ3GEYJ 821 V (820)	T	59/61.5
R1257	7030009810	S.RES ERJ12YJ821U (820)	T	66.7/61.5
R1259	7030003680	S.RES ERJ3GEYJ 104 V (100 k)	T	47.1/48.9
R1260	7030009810	S.RES ERJ12YJ821U (820)	B	32.9/44.7
R1261	7030003640	S.RES ERJ3GEYJ 473 V (47 k)	B	47.4/48.4
R1263	7030003680	S.RES ERJ3GEYJ 104 V (100 k)	T	72/52.2
R1265	7030003680	S.RES ERJ3GEYJ 104 V (100 k)	B	36.5/42.9
R1266	7030003200	S.RES ERJ3GEYJ 100 V (10)	B	39.5/48.5
R1267	7030000010	S.RES MCR10EZJH JPW (000)	T	46/54.3
R1270	7030003370	S.RES ERJ3GEYJ 271 V (270)	B	26.8/48.3
R1271	7030003230	S.RES ERJ3GEYJ 180 V (18)	B	29/49.1
R1272	7030003370	S.RES ERJ3GEYJ 271 V (270)	B	26.8/49.8
R1301	7030003430	S.RES ERJ3GEYJ 821 V (820)	B	63.7/20.1
R1302	7030003320	S.RES ERJ3GEYJ 101 V (100)	B	65.3/14.5
R1303	7030000010	S.RES MCR10EZJH JPW (000)	B	66.8/9.9
R1306	7030003320	S.RES ERJ3GEYJ 101 V (100)	B	62.4/26.5
R1307	7030003680	S.RES ERJ3GEYJ 104 V (100 k)	T	107/25.3
R1308	7030000010	S.RES MCR10EZJH JPW (000)	B	96.4/6.7
R1309	7030003680	S.RES ERJ3GEYJ 104 V (100 k)	T	104.3/25.3
R1310	7030003370	S.RES ERJ3GEYJ 271 V (270)	T	79.3/25.5
R1311	7030003230	S.RES ERJ3GEYJ 180 V (18)	T	80.1/23.5
R1312	7030003370	S.RES ERJ3GEYJ 271 V (270)	T	80.8/25.5
R1315	7030003860	S.RES ERJ3GE JPW V	B	96.4/9.9
R1317	7030003320	S.RES ERJ3GEYJ 101 V (100)	B	101.3/16
R1318	7030003320	S.RES ERJ3GEYJ 101 V (100)	B	97.9/15.1
R1319	7030003430	S.RES ERJ3GEYJ 821 V (820)	B	101.3/11.9
R1321	7030004030	S.RES ERJ3GEYJ 5R6 V (5.6)	T	60.9/17.7
R1322	7030003430	S.RES ERJ3GEYJ 821 V (820)	T	62.9/16.9
R1323	7030003430	S.RES ERJ3GEYJ 821 V (820)	T	61.6/19.6
R1327	7030003860	S.RES ERJ3GE JPW V	B	82.9/6.9
R1331	7030003390	S.RES ERJ3GEYJ 391 V (390)	T	108.1/9.9
R1332	7030003210	S.RES ERJ3GEYJ 120 V (12)	T	110.7/11.5
R1333	7030003390	S.RES ERJ3GEYJ 391 V (390)	T	112.2/9.9
R1334	7510001820	S.TMR NTCG16 3EH 101JT	T	108.1/11.5
R1601	7030003680	S.RES ERJ3GEYJ 104 V (100 k)	T	153.8/40
R1602	7030003440	S.RES ERJ3GEYJ 102 V (1 k)	T	157.3/38.4
R1605	7030003360	S.RES ERJ3GEYJ 221 V (220)	T	152.1/57.5
R1606	7030003360	S.RES ERJ3GEYJ 221 V (220)	T	152.1/58.8
R1607	7030003360	S.RES ERJ3GEYJ 221 V (220)	T	152.1/60.1
R1608	7030003860	S.RES ERJ3GE JPW V	T	152/49.1
R1611	7030003860	S.RES ERJ3GE JPW V	T	157.3/39.7
R1612	7030003560	S.RES ERJ3GEYJ 103 V (10 k)	T	144.3/42.6
R1613	7030010260	S.RES ERJ1TYJ 3R3 U	B	159.2/35.8

[RF-B UNIT]

REF NO.	ORDER NO.	DESCRIPTION	M.	H/V LOCATION
R1614	7030003360	S.RES ERJ3GEYJ 221 V (220)	T	152.1/56.2
R1615	7030003640	S.RES ERJ3GEYJ 473 V (47 k)	B	151.4/57.8
R1616	7030003640	S.RES ERJ3GEYJ 473 V (47 k)	B	147.2/58.8
R1617	7030003640	S.RES ERJ3GEYJ 473 V (47 k)	B	147.2/56.2
R1618	7030003640	S.RES ERJ3GEYJ 473 V (47 k)	B	146.4/57.5
R1621	7030010540	S.RES ERJ1TYJ 330U (33)	B	19.8/111.6
R1622	7030010540	S.RES ERJ1TYJ 330U (33)	B	19.8/115.3
R1623	7030010410	S.RES ERJ1TYJ 220U (22)	B	140.3/28.0
R1624	7030010410	S.RES ERJ1TYJ 220U (22)	B	140.3/29.5
R1625	7030010540	S.RES ERJ1TYJ 330U (33)	B	19.8/119
R1711	7030003320	S.RES ERJ3GEYJ 101 V (100)	T	78.6/45
R1712	7030003680	S.RES ERJ3GEYJ 104 V (100 k)	T	127.9/63.4
R1715	7030003680	S.RES ERJ3GEYJ 104 V (100 k)	T	127.9/61
R1718	7030003680	S.RES ERJ3GEYJ 104 V (100 k)	T	124.9/63.4
R1721	7030003680	S.RES ERJ3GEYJ 104 V (100 k)	T	124.9/61
R1724	7030003680	S.RES ERJ3GEYJ 104 V (100 k)	T	121.9/63.4
R1727	7030003680	S.RES ERJ3GEYJ 104 V (100 k)	T	121.9/61
R1730	7030003680	S.RES ERJ3GEYJ 104 V (100 k)	T	118.9/63.4
R1733	7030003680	S.RES ERJ3GEYJ 104 V (100 k)	T	118.9/61
R1736	7030003620	S.RES ERJ3GEYJ 333 V (33 k)	T	87.9/43.4
R1737	7030003500	S.RES ERJ3GEYJ 332 V (3.3 k)	T	85.3/43.5
R1738	7030003620	S.RES ERJ3GEYJ 333 V (33 k)	T	86.5/58.3
R1739	7030003500	S.RES ERJ3GEYJ 332 V (3.3 k)	T	86.5/59.5
R1740	7030003640	S.RES ERJ3GEYJ 473 V (47 k)	T	85.3/44.8
R1741	7030003640	S.RES ERJ3GEYJ 473 V (47 k)	T	88/45.8
R1742	7030003640	S.RES ERJ3GEYJ 473 V (47 k)	T	86.5/57.1
R1743	7030003640	S.RES ERJ3GEYJ 473 V (47 k)	T	90.1/52.9
R1744	7030003720	S.RES ERJ3GEYJ 224 V (220 k)	T	85.3/46.1
R1745	7030003720	S.RES ERJ3GEYJ 224 V (220 k)	T	86.5/55.8
R1748	7030003400	S.RES ERJ3GEYJ 471 V (470)	T	83.2/45.9
R1749	7030003400	S.RES ERJ3GEYJ 471 V (470)	B	85.9/43.4
C102	4030006880	S.CER C1608 JB 1H 472K-T	B	154.2/104.8
C103	4030007160	S.CER C1608 CH 1H 181J-T	T	148.3/106.4
C104	4030007160	S.CER C1608 CH 1H 181J-T	T	148.3/104.8
C105	4030007130	S.CER C1608 CH 1H 101J-T	T	147.6/102.8
C106	4030010760	S.CER C1608 CH 1H 331J-T	T	148.3/100.7
C107	4030007120	S.CER C1608 CH 1H 820J-T	T	147.6/98.6
C108	4030017810	S.CER C1608 CH 1H 102J-T	T	148.3/96.6
C109	4030007140	S.CER C1608 CH 1H 121J-T	T	146.3/95.8
C110	4030007120	S.CER C1608 CH 1H 820J-T	T	148.3/95.1
C111	4030006990	S.CER C1608 CH 1H 080D-T	T	147.1/93.7
C112	4030006880	S.CER C1608 JB 1H 472K-T	B	151.7/80
C113	4030006880	S.CER C1608 JB 1H 472K-T	T	146.8/78.5
C114	4030007130	S.CER C1608 CH 1H 101J-T	T	149.8/93.7
C115	4030009650	S.CER C1608 CH 1H 240J-T	T	150.8/88.5
C116	4030007010	S.CER C1608 CH 1H 100D-T	T	151.6/86.6
C117	4030007120	S.CER C1608 CH 1H 820J-T	T	151.6/84.1
C118	4030007090	S.CER C1608 CH 1H 470J-T	T	147.5/81.6
C119	4030007090	S.CER C1608 CH 1H 470J-T	T	147.5/80.3
C120	4030011600	S.CER C1608 JB 1E 104K-T	B	154.2/103.5
C121	4030011600	S.CER C1608 JB 1E 104K-T	B	151.7/81.3
C202	4030006880	S.CER C1608 JB 1H 472K-T	B	143/107.7
C203	4030007130	S.CER C1608 CH 1H 101J-T	T	135.2/106.4
C204	4030007130	S.CER C1608 CH 1H 101J-T	T	135.2/104.8
C205	4030007100	S.CER C1608 CH 1H 560J-T	T	134.4/102.8
C206	4030010750	S.CER C1608 CH 1H 201J-T	T	135.2/100.7
C207	4030007090	S.CER C1608 CH 1H 470J-T	T	134.4/98.6
C208	4030017810	S.CER C1608 CH 1H 681J-T	T	135.2/96.6
C209	4030007110	S.CER C1608 CH 1H 680J-T	T	133.2/95.8
C210	4030007100	S.CER C1608 CH 1H 560J-T	T	135.2/95.1
C211	4030011770	S.CER C1608 CH 1H 060B-T	T	134/93.7
C212	4030006880	S.CER C1608 JB 1H 472K-T	B	139.9/80.5
C213	4030006880	S.CER C1608 JB 1H 472K-T	T	133.5/78.5
C214	4030007120	S.CER C1608 CH 1H 820J-T	T	136.7/93.7
C215	4030007040	S.CER C1608 CH 1H 180J-T	T	137.6/88.4
C216	4030007110	S.CER C1608 CH 1H 680J-T	T	138.4/86.5
C217	4030007070	S.CER C1608 CH 1H 330J-T	T	134.2/81.8
C218	4030008750	S.CER C1608 CH 1H 360J-T	T	134.2/80.3
C219	4030011600	S.CER C1608 JB 1E 104K-T	B	144.3/107.7
C220	4030011600	S.CER C1608 JB 1E 104K-T	B	139.9/81.8
C302	4030006880	S.CER C1608 JB 1H 472K-T	B	129.3/107.7
C303	4030007100	S.CER C1608 CH 1H 560J-T	T	121.4/106.4
C304	4030007100	S.CER C1608 CH 1H 560J-T	T	121.3/104.8
C305	4030007070	S.CER C1608 CH 1H 330J-T	T	120.6/102.9
C306				

[RF-B UNIT]

REF NO.	ORDER NO.	DESCRIPTION	M.	H/V LOCATION
C415	4030006850	S.CER C1608 JB 1H 471K-T	B	113.9/80.1
C416	4030006860	S.CER C1608 JB 1H 102K-T	T	106.7/77.8
C417	4030007030	S.CER C1608 CH 1H 150J-T	T	106.7/80.5
C418	4030007030	S.CER C1608 CH 1H 150J-T	T	106.7/79.3
C419	4030011600	S.CER C1608 JB 1E 104K-T	B	115.4/107.6
C420	4030011600	S.CER C1608 JB 1E 104K-T	B	113.9/81.4
C501	4030009650	S.CER C1608 CH 1H 240J-T	T	92.3/106.7
C503	4030006850	S.CER C1608 JB 1H 471K-T	B	100.2/107.8
C504	4030009990	S.CER C1608 CH 1H 200J-T	T	92.3/105
C505	4030007030	S.CER C1608 CH 1H 150J-T	T	91.5/102.8
C506	4030007080	S.CER C1608 CH 1H 390J-T	T	93.6/100.4
C507	4030007020	S.CER C1608 CH 1H 120J-T	T	91.5/99.7
C508	4030007140	S.CER C1608 CH 1H 121J-T	T	92.2/97.6
C509	4030007030	S.CER C1608 CH 1H 150J-T	T	91.5/95.5
C510	4030007030	S.CER C1608 CH 1H 150J-T	T	92.3/93.6
C511	4030009520	S.CER C1608 CH 1H 020B-T	T	92.3/92.4
C512	4030009650	S.CER C1608 CH 1H 240J-T	T	95/92.4
C513	4030011770	S.CER C1608 CH 1H 060B-T	T	96/87
C514	4030009990	S.CER C1608 CH 1H 200J-T	T	96.7/85
C515	4030006850	S.CER C1608 JB 1H 471K-T	B	97.3/81.8
C516	4030006860	S.CER C1608 JB 1H 102K-T	T	93.1/77.9
C517	4030007010	S.CER C1608 CH 1H 100D-T	T	93.1/80.4
C518	4030007010	S.CER C1608 CH 1H 100D-T	T	93.1/79.2
C519	4030011600	S.CER C1608 JB 1E 104K-T	B	101.4/107.8
C520	4030011600	S.CER C1608 JB 1E 104K-T	B	97.3/83.1
C602	4030006850	S.CER C1608 JB 1H 471K-T	B	89.1/104.9
C603	4030007030	S.CER C1608 CH 1H 150J-T	T	85/106.4
C604	4030009990	S.CER C1608 CH 1H 200J-T	T	83.1/105.7
C605	4030006990	S.CER C1608 CH 1H 080D-T	T	85/103.5
C606	4030008750	S.CER C1608 CH 1H 360J-T	T	84.3/100.9
C607	4030006980	S.CER C1608 CH 1H 070D-T	T	85/98.9
C608	4030007140	S.CER C1608 CH 1H 121J-T	T	83/98.1
C609	4030007010	S.CER C1608 CH 1H 100D-T	T	85/96.1
C610	4030006990	S.CER C1608 CH 1H 080D-T	T	79.6/95.4
C611	4030006920	S.CER C1608 CH 1H 010C-T	T	80.4/93.4
C611	4030009510	S.CER C1608 CH 1H 010B-T	T	80.4/93.4
C612	4030007030	S.CER C1608 CH 1H 150J-T	T	82/91.3
C613	4030006940	S.CER C1608 CH 1H 030C-T	T	82/90
C613	4030009530	S.CER C1608 CH 1H 030B-T	T	82/90
C614	4030007020	S.CER C1608 CH 1H 120J-T	T	79.3/87.7
C615	4030006980	S.CER C1608 CH 1H 070D-T	T	80.1/84.3
C616	4030006850	S.CER C1608 JB 1H 471K-T	B	86.4/78.9
C617	4030006860	S.CER C1608 JB 1H 102K-T	T	81.3/78.6
C618	4030006960	S.CER C1608 CH 1H 050C-T	T	79.3/82.3
C618	4030009920	S.CER C1608 CH 1H 050B-T	T	79.3/82.3
C619	4030011600	S.CER C1608 JB 1E 104K-T	B	89.1/103.6
C620	4030011600	S.CER C1608 JB 1E 104K-T	B	86.4/80.2
C702	4030007000	S.CER C1608 CH 1H 090D-T	T	71.5/105.3
C703	4030006850	S.CER C1608 JB 1H 471K-T	B	70.9/102.9
C704	4030007030	S.CER C1608 CH 1H 150J-T	T	68.3/104.6
C705	4030006960	S.CER C1608 CH 1H 050C-T	T	70.3/103.8
C705	4030009920	S.CER C1608 CH 1H 050B-T	T	70.3/103.8
C706	4030007060	S.CER C1608 CH 1H 270J-T	T	69.6/101.1
C707	4030006960	S.CER C1608 CH 1H 050C-T	T	70.4/99.1
C707	4030009920	S.CER C1608 CH 1H 050B-T	T	70.4/99.1
C708	4030007120	S.CER C1608 CH 1H 820J-T	T	68.5/98.4
C709	4030006980	S.CER C1608 CH 1H 070D-T	T	70.4/96.3
C710	4030009920	S.CER C1608 CH 1H 050B-T	T	65.1/95.6
C711	4030009560	S.CER C1608 CH 1H R75B-T	T	65.8/93.6
C712	4030006990	S.CER C1608 CH 1H 080D-T	T	67.4/91.4
C713	4030009520	S.CER C1608 CH 1H 020B-T	T	67.4/90.1
C714	4030006980	S.CER C1608 CH 1H 070D-T	T	64.5/87.7
C715	4030009350	S.CER C1608 CH 1H 3R5B-T	T	65.3/84.3
C716	4030009910	S.CER C1608 CH 1H 040B-T	T	64.5/82.4
C718	4030006850	S.CER C1608 JB 1H 471K-T	B	73.4/79.2
C719	4030006860	S.CER C1608 JB 1H 102K-T	T	67.6/78
C720	4030011600	S.CER C1608 JB 1E 104K-T	B	70.9/104.2
C721	4030011600	S.CER C1608 JB 1E 104K-T	B	73.4/80.5
C801	4030017810	S.CER C1608 CH 1H 102J-T	B	49.3/115.5
C803	4030006850	S.CER C1608 JB 1H 471K-T	B	56.7/102.6
C804	4030011770	S.CER C1608 CH 1H 060B-T	T	56.7/106.1
C805	4030007010	S.CER C1608 CH 1H 100D-T	T	54.6/105.4
C806	4030009910	S.CER C1608 CH 1H 040B-T	T	56.8/103.2
C807	4030007020	S.CER C1608 CH 1H 120J-T	T	56/101.3
C808	4030009910	S.CER C1608 CH 1H 040B-T	T	56.8/99.4
C809	4030007090	S.CER C1608 CH 1H 470J-T	T	54.4/97.5
C810	4030009920	S.CER C1608 CH 1H 050B-T	T	56.8/96.8
C811	4030009350	S.CER C1608 CH 1H 3R5B-T	T	53.1/94.8
C813	4030006990	S.CER C1608 CH 1H 080D-T	T	52.3/93.3
C815	4030006980	S.CER C1608 CH 1H 070D-T	T	53.4/90.5
C816	4030006850	S.CER C1608 JB 1H 471K-T	B	59.4/80.1
C817	4030017810	S.CER C1608 CH 1H 102J-T	T	54.2/84.2
C819	4030017810	S.CER C1608 CH 1H 102J-T	B	46.4/81.7
C821	4030006860	S.CER C1608 JB 1H 102K-T	B	41.5/113.9
C822	4030006860	S.CER C1608 JB 1H 102K-T	B	41.5/115.3
C823	4030006860	S.CER C1608 JB 1H 102K-T	B	44.3/78.6
C824	4030006860	S.CER C1608 JB 1H 102K-T	B	39.3/78.6
C825	4030006900	S.CER C1608 JB 1H 103K-T	T	40/115.1
C826	4030017810	S.CER C1608 CH 1H 102J-T	T	40/113.9
C828	4030006900	S.CER C1608 JB 1H 103K-T	B	46.4/80.4
C829	4030006900	S.CER C1608 JB 1H 103K-T	T	41.2/77.9
C830	4030017810	S.CER C1608 CH 1H 102J-T	T	42.5/77.9
C831	4030009350	S.CER C1608 CH 1H 3R5B-T	T	54.2/88.6
C832	4030009530	S.CER C1608 CH 1H 030B-T	T	53.4/86.3
C833	4030011600	S.CER C1608 JB 1E 104K-T	B	56.7/103.9
C834	4030011600	S.CER C1608 JB 1E 104K-T	B	60.7/80.1
C835	4030017810	S.CER C1608 CH 1H 102J-T	B	50.2/80.3
C836	4030006900	S.CER C1608 JB 1H 103K-T	B	48.9/80.3
C901	4030006920	S.CER C1608 CH 1H 010C-T	T	38.8/95.8
C901	4030009510	S.CER C1608 CH 1H 010B-T	T	38.8/95.8
C902	4030009910	S.CER C1608 CH 1H 040B-T	T	42.8/105.8
C903	4030006960	S.CER C1608 CH 1H 050C-T	T	40.6/105.1
C903	4030009920	S.CER C1608 CH 1H 050B-T	T	40.6/105.1
C904	4030009520	S.CER C1608 CH 1H 020B-T	T	42.8/103.1

[RF-B UNIT]

REF NO.	ORDER NO.	DESCRIPTION	M.	H/V LOCATION
C905	4030007010	S.CER C1608 CH 1H 100D-T	T	42.1/101.2
C906	4030009520	S.CER C1608 CH 1H 020B-T	T	42.8/99.3
C907	4030007070	S.CER C1608 CH 1H 330J-T	T	40.6/97.3
C908	4030009520	S.CER C1608 CH 1H 020B-T	T	42.8/96.6
C910	4030009560	S.CER C1608 CH 1H R75B-T	T	38.8/94.5
C911	4030009550	S.CER C1608 CH 1H 2R5B-T	T	37.4/93
C913	4030009520	S.CER C1608 CH 1H 020B-T	T	37.4/91.8
C914	4030009520	S.CER C1608 CH 1H 020B-T	T	38.9/90.4
C916	4030009520	S.CER C1608 CH 1H 020B-T	T	39.6/87.4
C917	4030009520	S.CER C1608 CH 1H 020B-T	T	38.9/89.2
C918	4030009500	S.CER C1608 CH 1H 0R5B-T	T	38.9/85.5
C919	4030009500	S.CER C1608 CH 1H 0R5B-T	T	38.9/84.3
C920	4030017810	S.CER C1608 CH 1H 102J-T	T	39.6/82.4
C1202	4030017810	S.CER C1608 CH 1H 102J-T	B	29/51.7
C1203	4030009520	S.CER C1608 CH 1H 020B-T	T	30.3/79.4
C1206	4030009540	S.CER C1608 CH 1H 1R5B-T	T	30.3/82.3
C1206	4030010780	S.CER C1608 CH 1H 1R5C-T	T	30.3/82.3
C1209	4030009520	S.CER C1608 CH 1H 020B-T	T	28.7/85
C1211	4030009500	S.CER C1608 CH 1H 0R5B-T	T	26.6/89.8
C1214	4030006860	S.CER C1608 JB 1H 102K-T	B	20.5/80.8
C1215	4030006900	S.CER C1608 JB 1H 103K-T	T	30/93.2
C1216	4030007130	S.CER C1608 CH 1H 101J-T	T	28.7/93.2
C1217	4030007130	S.CER C1608 CH 1H 101J-T	T	25.3/99.4
C1218	4030006860	S.CER C1608 JB 1H 102K-T	T	25.3/100.7
C1219	4030006900	S.CER C1608 JB 1H 103K-T	T	30.3/101.8
C1220	4030007130	S.CER C1608 CH 1H 101J-T	T	29/101.8
C1221	4030006860	S.CER C1608 JB 1H 102K-T	T	23.1/54.8
C1222	4030006900	S.CER C1608 JB 1H 103K-T	B	27.5/51.7
C1223	4030006860	S.CER C1608 JB 1H 102K-T	T	23.1/61.5
C1224	4030017810	S.CER C1608 CH 1H 102J-T	T	22.7/58.8
C1225	4030006900	S.CER C1608 JB 1H 103K-T	T	22.7/57.6
C1226	4030009500	S.CER C1608 CH 1H 0R3B-T	T	26.6/82.4
C1228	4030009570	S.CER C1608 CH 1H 0R3B-T	T	27.8/100.3
C1230	4030009530	S.CER C1608 CH 1H 030B-T	B	25.5/53.5
C1231	4030009510	S.CER C1608 CH 1H 010B-T	T	24.5/70.2
C1232	4030009570	S.CER C1608 CH 1H 0R3B-T	T	24.5/66.4
C1241	4030007050	S.CER C1608 CH 1H 220J-T	T	40.6/73
C1242	4030017810	S.CER C1608 CH 1H 102J-T	T	41.4/71.1
C1243	4030006900	S.CER C1608 JB 1H 103K-T	T	41.4/79.8
C1244	4030006860	S.CER C1608 JB 1H 102K-T	T	49.6/72.8
C1245	4030006850	S.CER C1608 JB 1H 471K-T	T	46.6/73.4
C1246	4030017810	S.CER C1608 CH 1H 102J-T	T	45.2/67
C1247	4030006900	S.CER C1608 JB 1H 103K-T	T	46.5/67
C1251	4030007050	S.CER C1608 CH 1H 220J-T	T	45.2/64
C1252	4030007050	S.CER C1608 CH 1H 220J-T	T	58.2/64.6
C1253	4030017810	S.CER C1608 CH 1H 102J-T	T	48.4/63.2
C1254	4030006900	S.CER C1608 JB 1H 103K-T	T	48.4/61.9
C1255	4030006860	S.CER C1608 JB 1H 102K-T	T	51.7/67.3
C1256	4030006850	S.CER C1608 JB 1H 471K-T	T	51.7/66
C1257	4030017810	S.CER C1608 CH 1H 102J-T	T	55.5/62.2
C1258	4030006900	S.CER C1608 JB 1H 103K-T	T	55.5/63.2
C1259	4030017810	S.CER C1608 CH 1H 102J-T	T	61.8/63.2
C1260	4030006900	S.CER C1608 JB 1H 103K-T	T	60.5/63.2
C1261	4030007010	S.CER C1608 CH 1H 100D-T	T	52.8/52.5
C1262	4030007030	S.CER C1608 CH 1H 150J-T	T	52.4/50.1
C1263	4030007010	S.CER C1608 CH 1H 100D-T	T	50.1/52.5
C1264	4030007010	S.CER C1608 CH 1H 100D-T	T	61.8/55.1
C1265	4030011770	S.CER C1608 CH 1H 060B-T	T	57.3/55.1
C1266	4030009520	S.CER C1608 CH 1H 020B-T	T	62.5/53.1
C1268	4030009540	S.CER C1608 CH 1H 1R5B-T	T	58/53.1
C1270	4030007040	S.CER C1608 CH 1H 180J-T	T	61.8/51.1
C1271	4030007010	S.CER C1608 CH 1H 100D-T	T	57.3/51.1
C1272	4030009500	S.CER C1608 CH 1H 0R5B-T	T	63/49.8
C1273	4030009500	S.CER C1608 CH 1H 0R5B-T	T	58.5/49.9
C1274	4030011770	S.CER C1608 CH 1H 060B-T	T	45.8/50.4
C1275	4030007010	S.CER C1608 CH 1H 100D-T	T	61.8/47.4
C1276	4030011770	S.CER C1608 CH 1H 060B-T	T	57.3/47.5
C1277	4030009510	S.CER C1608 CH 1H 010B-T	T	38.9/54.7
C1278	4030009510	S.CER C1608 CH 1H 010B-T	T	41.4/53.2
C1279	4030009520	S.CER C1608 CH 1H 020B-T	T	39.4/51.4
C1280	4030006860	S		

[RF-B UNIT]

REF NO.	ORDER NO.	DESCRIPTION	M.	H/V LOCATION
C1316	4030009910	S.CER C1608 CH 1H 040B-T	T	77.9/22.7
C1317	4030009910	S.CER C1608 CH 1H 040B-T	T	82.6/22.7
C1319	4030009530	S.CER C1608 CH 1H 030B-T	T	84.5/19.6
C1320	4540000020	S.TRI TZY2Z060A001R00	T	86.6/19.9
C1321	4030009570	S.CER C1608 CH 1H 0R3B-T	T	88/22.8
C1322	4030009510	S.CER C1608 CH 1H 010B-T	T	88/24.1
C1324	4030009530	S.CER C1608 CH 1H 030B-T	T	91.8/20.2
C1325	4540000020	S.TRI TZY2Z060A001R00	T	93.9/19.6
C1326	4030009910	S.CER C1608 CH 1H 040B-T	T	92.3/22.8
C1327	4030007030	S.CER C1608 CH 1H 150J-T	T	91/25.3
C1328	4030007020	S.CER C1608 CH 1H 120J-T	T	93.3/26.3
C1329	4030007030	S.CER C1608 CH 1H 150J-T	T	96.5/24.8
C1330	4030006860	S.CER C1608 JB 1H 102K-T	B	99.3/18
C1331	4030006860	S.CER C1608 JB 1H 102K-T	B	101.8/20.8
C1332	4030006860	S.CER C1608 JB 1H 102K-T	T	101.7/19.9
C1334	4030017810	S.CER C1608 CH 1H 102J-T	T	100.4/9.8
C1335	4030011340	S.CER C1608 CH 1H 471J-T	T	104.7/19.6
C1341	4030006860	S.CER C1608 JB 1H 102K-T	T	101.7/13.5
C1343	4030007130	S.CER C1608 CH 1H 101J-T	B	70.6/19.4
C1346	4030007130	S.CER C1608 CH 1H 101J-T	T	101.7/21.2
C1347	4030006860	S.CER C1608 JB 1H 102K-T	B	96.4/12.7
C1348	4030017810	S.CER C1608 CH 1H 102J-T	T	106.2/12.2
C1349	4030007130	S.CER C1608 CH 1H 101J-T	B	83.9/29.8
C1350	4030006860	S.CER C1608 JB 1H 102K-T	B	86.3/29.8
C1351	4030006860	S.CER C1608 JB 1H 102K-T	B	98.5/27.8
C1601	4030006880	S.CER C1608 JB 1H 472K-T	T	153.8/42.7
C1603	4030006880	S.CER C1608 JB 1H 472K-T	T	149.5/47.1
C1605	4030006880	S.CER C1608 JB 1H 472K-T	B	152.2/51.1
C1606	4030011600	S.CER C1608 JB 1E 104K-T	B	157.1/45.3
C1607	4030018960	S.CER C3216 JB 1C 106MT-N	T	13.5/11.7
C1608	4030011600	S.CER C1608 JB 1E 104K-T	B	12/11.5
C1609	4030011600	S.CER C1608 JB 1E 104K-T	B	12/106.5
C1610	4510008540	S.ELE EEE1CA100SR	T	163.7/70.8
C1611	4550003120	S.TAN TEESVD2 1A 476M12R	T	12.7/111.5
C1612	4030011600	S.CER C1608 JB 1E 104K-T	B	156.9/64.5
C1613	4030011600	S.CER C1608 JB 1E 104K-T	B	156.9/61.7
C1614	4550003210	S.TAN TEESVD21D226M12R	T	162.7/65.6
C1615	4030011600	S.CER C1608 JB 1E 104K-T	B	137.5/48.8
C1616	4030011600	S.CER C1608 JB 1E 104K-T	B	133.6/48.8
C1617	4030011600	S.CER C1608 JB 1E 104K-T	B	6.4/86.1
C1618	4030011340	S.CER C1608 CH 1H 471J-T	B	152.2/49.4
C1619	4030011600	S.CER C1608 JB 1E 104K-T	T	98.3/48.2
C1620	4510008540	S.ELE EEE1CA100SR	T	162.6/35.4
C1621	4030011600	S.CER C1608 JB 1E 104K-T	B	157.2/33.2
C1622	4510008540	S.ELE EEE1CA100SR	T	162.6/42.6
C1623	4510008540	S.ELE EEE1CA100SR	T	150.7/26.8
C1624	4030011600	S.CER C1608 JB 1E 104K-T	B	145.4/27.2
C1625	4030011600	S.CER C1608 JB 1E 104K-T	B	145.4/31.6
C1626	4510008520	S.ELE EEE1CA470SP	T	130.4/28
C1701	4030006880	S.CER C1608 JB 1H 472K-T	T	83.1/52.9
C1702	4510008760	S.ELE EEE1HA4R7SR	T	79.6/50.2
C1727	4030011600	S.CER C1608 JB 1E 104K-T	T	130.8/49.3
C1801	4030006860	S.CER C1608 JB 1H 102K-T	B	11.2/105.2
C1802	4030006860	S.CER C1608 JB 1H 102K-T	B	10.3/103.9
C1803	4030006860	S.CER C1608 JB 1H 102K-T	B	11.2/102.6
C1804	4030006860	S.CER C1608 JB 1H 102K-T	B	10.3/101.3
C1805	4030006860	S.CER C1608 JB 1H 102K-T	B	11.2/100
C1806	4030006860	S.CER C1608 JB 1H 102K-T	B	10.3/98.7
C1807	4030006860	S.CER C1608 JB 1H 102K-T	B	11.2/97.4
C1808	4030006860	S.CER C1608 JB 1H 102K-T	B	10.3/96.1
C1809	4030006860	S.CER C1608 JB 1H 102K-T	B	11.3/94.8
C1810	4030006860	S.CER C1608 JB 1H 102K-T	B	10.2/93.5
C1834	4030009920	S.CER C1608 CH 1H 050B-T	B	46.2/32.5
C1835	4030009920	S.CER C1608 CH 1H 050B-T	B	42.7/33.6
C1836	4030009920	S.CER C1608 CH 1H 050B-T	B	39.6/33.2
C1837	4030009920	S.CER C1608 CH 1H 050B-T	B	36.5/33.6
C1851	4030006860	S.CER C1608 JB 1H 102K-T	T	137.5/34
C1852	4030006860	S.CER C1608 JB 1H 102K-T	T	138.8/34
C1853	4030006860	S.CER C1608 JB 1H 102K-T	T	142.7/34
C1854	4030006860	S.CER C1608 JB 1H 102K-T	T	144/31.2
J801	6510023480	S.CNR AYU1-1P-02676-120-TF	T	34.9/115
J1201	6510023480	S.CNR AYU1-1P-02676-120-TF	T	29.5/112.5
J1202	6510023480	S.CNR AYU1-1P-02676-120-TF	T	15.7/58.2
J1301	6510018450	CNR TMP-S01X-B1		
J1305	6510018450	CNR TMP-S01X-B1		
J1601	6510019981	S.CNR 52808-1671 (1690)	T	157.2/52.7
J1801	6510019981	S.CNR 52808-1671 (1690)	T	6.1/99.1
J1831	6510019971	S.CNR 52808-1071	T	44.6/29.2
J1851	6510019971	S.CNR 52808-1071	T	141.2/26.7
EP1301	6910012350	S.BEA MMZ1608Y 102BT	B	68.2/18.6
EP1302	6910012350	S.BEA MMZ1608Y 102BT	T	101/23.2
EP1303	6910012350	S.BEA MMZ1608Y 102BT	B	66/30.4
EP1304	6910012350	S.BEA MMZ1608Y 102BT	B	102.5/22.7
EP1601	6910014730	S.BEA MPZ2012S331A-T	T	152.9/45.1
EP1602	6910015970	S.BEA MMZ1608B 301CT-AS	T	152/47.8
EP1603	6910014730	S.BEA MPZ2012S331A-T	T	152/50.7
EP1701	6910015970	S.BEA MMZ1608B 301CT-AS	T	130.8/46.5
EP1801	6910015970	S.BEA MMZ1608B 301CT-AS	T	11.2/105.3
EP1802	6910015970	S.BEA MMZ1608B 301CT-AS	T	11.2/104
EP1803	6910015970	S.BEA MMZ1608B 301CT-AS	T	11.2/102.7
EP1804	6910014730	S.BEA MPZ2012S331A-T	T	10.9/101.2
EP1805	6910015970	S.BEA MMZ1608B 301CT-AS	T	11.2/99.6
EP1806	6910015970	S.BEA MMZ1608B 301CT-AS	T	11.2/98.3
EP1807	6910015970	S.BEA MMZ1608B 301CT-AS	T	11.2/97
EP1808	6910015970	S.BEA MMZ1608B 301CT-AS	T	11.2/95.7
EP1809	6910015970	S.BEA MMZ1608B 301CT-AS	T	11.2/94.4
EP1810	6910015970	S.BEA MMZ1608B 301CT-AS	T	11.1/93.2
EP1811	6910015970	S.BEA MMZ1608B 301CT-AS	T	14.9/105.4
EP1812	6910015970	S.BEA MMZ1608B 301CT-AS	T	14.9/104.1
EP1813	6910015970	S.BEA MMZ1608B 301CT-AS	T	14.9/102.8

[RF-B UNIT]

REF NO.	ORDER NO.	DESCRIPTION	M.	H/V LOCATION
EP1814	6910014730	S.BEA MPZ2012S331A-T	T	15.3/101.3
EP1815	6910015970	S.BEA MMZ1608B 301CT-AS	T	15/99.7
EP1816	6910015970	S.BEA MMZ1608B 301CT-AS	T	15/98.4
EP1817	6910015970	S.BEA MMZ1608B 301CT-AS	T	15/97.1
EP1818	6910015970	S.BEA MMZ1608B 301CT-AS	T	15/95.8
EP1819	6910015970	S.BEA MMZ1608B 301CT-AS	T	15/94.5
EP1820	6910015970	S.BEA MMZ1608B 301CT-AS	T	15/93.3
EP1831	6910015970	S.BEA MMZ1608B 301CT-AS	T	51.7/36.1
EP1832	6910015970	S.BEA MMZ1608B 301CT-AS	T	49.4/36.1
EP1833	6910015970	S.BEA MMZ1608B 301CT-AS	T	47.3/36.1
EP1834	6910015970	S.BEA MMZ1608B 301CT-AS	T	45.2/36.1
EP1835	6910015970	S.BEA MMZ1608B 301CT-AS	T	43/36.1
EP1836	6910015970	S.BEA MMZ1608B 301CT-AS	T	41.4/36.1
EP1837	6910015970	S.BEA MMZ1608B 301CT-AS	T	39.1/36.1
EP1838	6910015970	S.BEA MMZ1608B 301CT-AS	T	51.7/33.5
EP1839	6910015970	S.BEA MMZ1608B 301CT-AS	T	49.4/33.5
EP1840	6910015970	S.BEA MMZ1608B 301CT-AS	T	47.3/33.5
EP1841	6910015970	S.BEA MMZ1608B 301CT-AS	T	45.2/33.5
EP1842	6910015970	S.BEA MMZ1608B 301CT-AS	T	43/33.5
EP1843	6910015970	S.BEA MMZ1608B 301CT-AS	T	41.4/33.5
EP1844	6910015970	S.BEA MMZ1608B 301CT-AS	T	39.1/33.5
EP1851	6910015970	S.BEA MMZ1608B 301CT-AS	T	144/34
EP1852	6910015970	S.BEA MMZ1608B 301CT-AS	T	141.4/34
EP1853	6910015970	S.BEA MMZ1608B 301CT-AS	T	140.1/34
EP1854	6910015970	S.BEA MMZ1608B 301CT-AS	T	137.5/31.2
EP1855	6910015970	S.BEA MMZ1608B 301CT-AS	T	142.7/31.2
EP1856	6910015970	S.BEA MMZ1608B 301CT-AS	T	141.4/31.2
EP1857	6910015970	S.BEA MMZ1608B 301CT-AS	T	140.1/31.2
EP1858	6910015970	S.BEA MMZ1608B 301CT-AS	T	138.8/31.2

M.=Mounted side (T: Mounted on the Top side B: Mounted on the Bottom side)
S.=Surface mount

[PLL UNIT]

REF NO.	ORDER NO.	DESCRIPTION	M.	H/V LOCATION
IC100	1130011530	S.IC CD74HC4094M96	T	43/27.3
IC101	1130009691	S.IC TC74HCT7007AF (F)	B	44.6/25
IC200	1160000131	S.IC TD62783AFG (5,S,EL)	B	28.9/26.1
IC204	1160000131	S.IC TD62783AFG (5,S,EL)	B	13.9/26.1
IC300	1130011530	S.IC CD74HC4094M96	T	29/24.2
IC301	1130011530	S.IC CD74HC4094M96	T	14/24.2
IC302	1130011530	S.IC CD74HC4094M96	B	135.9/9.7
IC350	1130012000	S.IC M62352AGP C60Q	T	111.3/23
IC400	1180001251	S.IC TA7808F (TE16L,Q)	B	44.8/8.5
IC401	1180001071	S.IC TA7805F (TE16L,Q)	B	84.9/6.8
IC500	1130006441	S.IC TC7S08F (TE85R,F)	T	66/36.4
IC700	1130003831	S.IC TC7S04F (TE85R,F)	T	102.1/50.1
IC750	1130003831	S.IC TC7S04F (TE85R,F)	T	76.1/46.8
IC751	1130006441	S.IC TC7S08F (TE85R,F)	T	77.4/54.8
IC752	1140007881	S.IC TC190G08EFG0046JDZ/SC1246A	T	87.7/47.2
IC830	1110002700	S.IC NJM2904M-TE1-#FMZB	B	96.1/84.7
IC1000	1130013500	S.IC ADF4111BRUZ	T	66.3/69
IC1001	1110001901	S.IC PC4570G2-E1-A	T	74.5/69.5
IC1300	1110006870	S.IC PC2709TB-E3	B	65/111.2
IC1351	1110006870	S.IC PC2709TB-E3	B	70.2/100.6
IC2100	1110004460	S.IC PB1509GV-E1	T	46.1/56.9
IC2300	1130013450	S.IC SN74AUC1G04DCKR	T	41.8/44.6
IC2301	1180003030	S.REG S-812C25AUA-C2FT2G	T	49.3/46.6
IC2302	1130013310	S.IC SN74AUC74RGYR	T	35.8/45.1
IC2303	1130011930	S.IC SN74LVC1G04DCKR	T	29.4/45
IC2553	1110006870	S.IC PC2709TB-E3	B	35.2/87.5
IC4000	1130013300	S.IC LM2346TM/NOPB	T	151.5/61.6
IC4501	1110006870	S.IC PC2709TB-E3	B	163.8/95
IC5000	1130013270	S.IC ADF4111BRUZ	T	123.4/74.8
IC5001	1110002700	S.IC NJM2904M-TE1-#FMZB	B	144.7/81.8
IC5300	1130003831	S.IC TC7S04F (TE85R,F)	B	159.5/37.2
IC5301	1140007881	S.IC TC190G08EFG0046JDZ/SC1246A	T	155.9/36
IC5601	1130003831	S.IC TC7S04F (TE85R,F)	B	154.1/32.5
Q101	1590001870	S.TR DTA114EE TL	T	36.8/21.9
Q102	1590003940	S.TR RN1105 (TE85L,F)	B	28.4/13.1
Q450	1530002060	S.TR 2SC4081 T106 R	T	127.4/60.9
Q550	1530002601	S.TR 2SC4215-O (TE85R,F)	T	122.1/44.1
Q601	1590003930	S.TR UMD22N TR	B	82.1/114.1
Q602	1590003930	S.TR UMD22N TR	B	82.1/117.7
Q603	1590003930	S.TR UMD22N TR	B	82.1/121.3
Q800	1530002060	S.TR 2SC4081 T106 R	B	99.6/60.3
Q860	1530002060	S.TR 2SC4081 T106 R	B	89.2/69.9
Q900	1560000341	S.FET 2SK210-Y (TE85R,F)	T	92/70.1
Q1000	1590001870	S.TR DTA114EE TL	T	70.5/67.4
Q1001	1530002060	S.TR 2SC4081 T106 R	T	60.7/60.5
Q2101	1590003930	S.TR UMD22N TR	T	51/58.3
Q2301	1590003930	S.TR UMD22N TR	T	51.1/50.6
Q2551	1590003930	S.TR UMD22N TR	T	51.7/72.1
Q3001	1530003781	S.TR 2SC5624VH-TL-E	T	48/172.4
Q3002	1530003781	S.TR 2SC5624VH-TL-E	T	50.5/124
Q4000	1590001870	S.TR DTA114EE TL	B	153.3/57.9
Q4450	1590003940	S.TR RN1105 (TE85L,F)	B	163.3/80.7
Q4451	1590003940	S.TR RN1105 (TE85L,F)	B	160.1/80.6
Q4452	1590001870	S.TR DTA114EE TL	B	163.6/83.7
Q4453	1590001870	S.TR DTA114EE TL	B	161/83.7
Q5000	1590001870	S.TR DTA114EE TL	B	127/70.3
Q5018	1530002060	S.TR 2SC4081 T106 R	B	114.2/67.1
Q5100	1560000341	S.FET 2SK210-Y (TE85R,F)	T	124.4/102.6
Q5101	1530002561	S.TR 2SC4403-3-TL-E	T	118.9/99.9
Q5150	1530002561	S.TR 2SC4403-3-TL-E	T	119.8/109.9
Q5200	1530002561	S.TR 2SC4403-3-TL-E	T	127.2/109.3
Q5400	1530002060	S.TR 2SC4081 T106 R	B	169.8/32.4
Q5500	1530002601	S.TR 2SC4215-O (TE85R,F)	T	133.3/46.9
Q5601	1560000341	S.FET 2SK210-Y (TE85R,F)	T	158.9/12.9
Q5602	1530002060	S.TR 2SC4081 T106 R	B	158.5/16.4
Q5603	1530002060	S.TR 2SC4081 T106 R	T	172.5/28.3
Q5604	1590003930	S.TR UMD22N TR	T	172.5/28.3
D750	1750000520	S.DIO DAN222TL	B	90.6/57
D900	1790000491	S.DIO HSM88ASTR-E	T	98.1/72.2
D901	1790000491	S.DIO HSM88ASTR-E	T	94.7/72.2
D930	1720000590	S.VCP MA357 (TX)	T	100.2/68.2
D931	1720000590	S.VCP MA357 (TX)	T	104.4/72.1
D1000	1750000520	S.DIO DAN222TL	B	81.8/64.8
D1451	1750000581	S.DIO 1SV307 (TPH3,F)	B	154.2/96.8
D1452	1750000581	S.DIO 1SV307 (TPH3,F)	B	148.1/99.6
D1453	1750000581	S.DIO 1SV307 (TPH3,F)	B	157.4/97.6
D1454	1750000581	S.DIO 1SV307 (TPH3,F)	B	155.5/100.7
D2000	1750000581	S.DIO 1SV307 (TPH3,F)	B	57.1/106.1
D2001	1750000581	S.DIO 1SV307 (TPH3,F)	B	56/109.1
D2050	1750000581	S.DIO 1SV307 (TPH3,F)	T	37.2/60
D2051	1750000581	S.DIO 1SV307 (TPH3,F)	T	38.9/61.7
D2052	1750000581	S.DIO 1SV307 (TPH3,F)	T	41.1/58.8
D2053	1750000581	S.DIO 1SV307 (TPH3,F)	T	42.2/56
D2200	1750000581	S.DIO 1SV307 (TPH3,F)	B	21.8/112.7
D2652	1750000581	S.DIO 1SV307 (TPH3,F)	B	7.2/83.2
D2855	1750000581	S.DIO 1SV307 (TPH3,F)	B	18.6/111.6
D2856	1750000581	S.DIO 1SV307 (TPH3,F)	B	4.3/84.2
D3101	1750000581	S.DIO 1SV307 (TPH3,F)	B	31.3/123.6
D3102	1750000581	S.DIO 1SV307 (TPH3,F)	B	19/123.1
D3404	1750000581	S.DIO 1SV307 (TPH3,F)	B	13/83.2
D4000	1750000520	S.DIO DAN222TL	B	149.9/51.8
D5000	1750000520	S.DIO DAN222TL	B	129.5/68.5
D5100	1720000261	S.VCP 1SV214 (TPH2,F)	T	132.7/95.7
D5101	1720000261	S.VCP 1SV214 (TPH2,F)	T	130.7/95.8
D5102	1720000261	S.VCP 1SV214 (TPH2,F)	T	132.7/93.9
D5103	1720000261	S.VCP 1SV214 (TPH2,F)	T	133.3/95.8
D5601	1720000590	S.VCP MA357 (TX)	T	146.5/10.9
D5602	1720000590	S.VCP MA357 (TX)	T	150.7/14.8
D5603	1790000491	S.DIO HSM88ASTR-E	T	152.8/10.8
D5604	1790000491	S.DIO HSM88ASTR-E	T	156.2/10.8

[PLL UNIT]

REF NO.	ORDER NO.	DESCRIPTION	M.	H/V LOCATION
FI700	2020001820	S.CER SFCEV10M5FA00-R0 (SFCEV10.5MA5S)	T	101.9/41.7
FI5400	2020001810	S.CER SFCEV10M7FA00-R0 (SFCEV10.7MA5S)	T	148.4/48.8
L100	6200003261	S.COL NLV32T-101J	B	51.7/20.8
L106	6200003261	S.COL NLV32T-101J	T	36.5/32.5
L200	6200003261	S.COL NLV32T-101J	B	17/8.1
L300	6200003261	S.COL NLV32T-101J	T	36.4/18.9
L301	6200003261	S.COL NLV32T-101J	B	127.8/8.3
L350	6200003261	S.COL NLV32T-101J	B	106.5/17.3
L450	6200005491	S.COL NLV32T-331J	B	119.8/61.9
L550	6150004971	S.COL LS-522-LF	T	123.2/38.6
L551	6150004971	S.COL LS-522-LF	T	120.3/48.8
L552	6200003261	S.COL NLV32T-101J	B	118.1/58.5
L601	6200003261	S.COL NLV32T-101J	B	102/94.9
L602	6200003261	S.COL NLV32T-101J	B	102/97.9
L603	6200003261	S.COL NLV32T-101J	B	102/100.9
L604	6200003261	S.COL NLV32T-101J	B	78.2/114.1
L605	6200003261	S.COL NLV32T-101J	B	78.2/117.7
L606	6200003261	S.COL NLV32T-101J	B	78.2/121.3
L750	6200001831	S.COL NLV32T-100J	B	74.6/50.5
L900	6200001831	S.COL NLV32T-100J	T	91.3/65.5
L930	6130002970	COL LB-343	T	
L1000	6200001831	S.COL NLV32T-100J	B	64.9/70.2
L1001	6200003261	S.COL NLV32T-101J	T	61.3/55.3
L1300	6200003300	S.COL ELJNC R22K-F	B	76.5/108.7
L1302	6200001920	S.COL ELJNC R15K-F	B	62.1/108.8
L1351	6200001920	S.COL ELJNC R15K-F	B	71.4/97.3
L2051	6200005701	S.COL ELJRE 22NGFA	T	42.8/60.7
L2052	6200005661	S.COL ELJRE 10NGFA	T	49/62.2
L2053	6200005691	S.COL ELJRE 18NGFA	T	44.7/51.8
L2101	6200005741	S.COL ELJRE 47NGFA	T	38.8/50.4
L2201	6200005011	S.COL NLV25T-100J	B	55.6/71.6
L2202	6200005731	S.COL ELJRE 39NGFA	B	55.6/64.9
L2203	6200005661	S.COL ELJRE 10NGFA	T	44.1/66.1
L2400	6200007001	S.COL ELJRE 82NGFA	T	25/43.1
L2401	6200006671	S.COL ELJRE 68NGFA	T	22.9/42.5
L2402	6200009531	S.COL ELJRE R15GFA	T	18.8/45.3
L2403	6200009101	S.COL ELJRE R18GFA	T	16.8/45.8
L2510	6200003261	S.COL NLV32T-101J	B	6/116.4
L2511	6200003261	S.COL NLV32T-101J	B	6.3/118.8
L2512	6200003261	S.COL NLV32T-101J	T	6.4/115.8
L2513	6200003261	S.COL NLV32T-101J	B	19.7/96.7
L2514	6200003261	S.COL NLV32T-101J	B	19.7/93.2
L2515	6200003261	S.COL NLV32T-101J	B	19.7/89.7
L2516	6200003261	S.COL NLV32T-101J	B	19.7/86.2
L2553	6200005681	S.COL ELJRE 15NGFA	B	37.9/87.5
L3002	6200010770	S.COL C2520C-R68G-A	T	52.3/122.9
L3003	6140002551	S.COL #617DB-1919=P3	B	49.9/119.9
L3010	6200009181	S.COL ELJRE R10JFA	B	50/114
L3011	6200009181	S.COL ELJRE R10JFA	B	45.2/116.4
L3101	6200005631	S.COL ELJRE 5N6ZFA	B	31.6/121.6
L3102	6200005651	S.COL ELJRE 8N2ZFA	B	29.1/120.6
L3103	6200005691	S.COL ELJRE 18NGFA	B	23.9/115.8
L3104	6200005671	S.COL ELJRE 12NGFA	B	22.6/118
L3105	6200006981	S.COL ELJRE R10GFA	B	25.1/126.4
L3106	6200003261	S.COL NLV32T-101J	B	18.6/126.1
L4000	6200001831	S.COL NLV32T-100J	B	150.3/65.2
L4001	6200003261	S.COL NLV32T-101J	B	170.6/81.1
L4002	6200003261	S.COL NLV32T-101J	B	170.6/84.6
L4003	6200003261	S.COL NLV32T-101J	B	170.6/88.1
L4400	6200003301	S.COL NLV32T-1R0J	B	138.5/103.6
L4450	6200005701	S.COL ELJRE 22NGFA	B	157.3/95
L4451	6200005651	S.COL ELJRE 8N2ZFA	B	150.4/100.7
L4452	6200003261	S.COL NLV32T-101J	B	149.6/93.1
L4453	6200003261	S.COL NLV32T-101J	B	149.6/89.6
L4454	6200003261	S.COL NLV32T-101J	B	149.6/86.1
L4501	6200003261	S.COL NLV32T-101J	B	160.7/119
L4502	6200003261	S.COL NLV32T-101J	B	160.7/122
L4503	6200001920	S.COL ELJNC R15K-F	B	166.2/91.7
L5000	6200005491	S.COL NLV32T-331J	B	120.9/72.6
L5002	6200010800	S.COL C2520C-4R7G-A	T	133.5/102
L5003	6200010800	S.COL C2520C-4R7G-A	T	135.1/87.8
L5100	6190001281	COL #E544GN-110248		
L5101	6200003261	S.COL NLV32T-101J	B	122.1/97
L5102	6200002631	S.COL NLV25T-R10J	T	118.9/95.7
L5103	6200003331	S.COL NLV32T-1R0J	B	116.5/91.5
L5150	6200001831	S.COL NLV32T-100J	T	116.1/108.8
L5151	6200010660	S.COL C2520C-R15G-A (0.15U)	T	122.6/113.8
L5152	6200010670	S.COL C2520C-R18G-A (0.18U)	T	118.6/118.5
L5200	6200001831	S.COL NLV32T-100J	T	123.5/108.8
L5201	6200010660	S.COL C2520C-R15G-A (0.15U)	T	128/114.8
L5202	6200010670	S.COL C2520C-R18G-A (0.18U)	T	131.2/118.1
L5300	6200001831	S.COL NLV32T-100J	B	145.5/34.9
L5500	6200001831	S.COL NLV32T-100J	T	131.4/51
L5501	6200002641	S.COL NLV25T-R15J	T	131.1/41.7
L5502	6200002841	S.COL NLV25T-R22J	T	130.4/38.8
L5601	6130002970	COL LB-343		
L5602	6200001831	S.COL NLV32T-100J	T	159.6/17.4
R107				

[PLL UNIT]

REF NO.	ORDER NO.	DESCRIPTION	M.	H/V LOCATION
R118	7030003360	S.RES ERJ3GEYJ 221 V (220)	T	25.5/7.8
R119	7030003360	S.RES ERJ3GEYJ 221 V (220)	T	29.5/16.8
R120	7030003360	S.RES ERJ3GEYJ 221 V (220)	T	24.7/16.8
R121	7030003360	S.RES ERJ3GEYJ 221 V (220)	T	24.3/7.8
R122	7030003550	S.RES ERJ3GEYJ 822 V (8.2 k)	T	45/33.7
R124	7030003550	S.RES ERJ3GEYJ 822 V (8.2 k)	T	41.6/32.5
R125	7030003550	S.RES ERJ3GEYJ 822 V (8.2 k)	T	42.9/32.5
R205	7030003640	S.RES ERJ3GEYJ 473 V (47 k)	T	33.7/30.5
R206	7030003640	S.RES ERJ3GEYJ 473 V (47 k)	T	19.1/30.5
R207	7030003640	S.RES ERJ3GEYJ 473 V (47 k)	T	32.4/30.5
R208	7030003640	S.RES ERJ3GEYJ 473 V (47 k)	T	17.8/30.5
R209	7030003640	S.RES ERJ3GEYJ 473 V (47 k)	T	31.1/30.5
R210	7030003640	S.RES ERJ3GEYJ 473 V (47 k)	T	16.5/30.5
R211	7030003640	S.RES ERJ3GEYJ 473 V (47 k)	T	29.8/30.5
R212	7030003640	S.RES ERJ3GEYJ 473 V (47 k)	T	15.2/30.5
R213	7030003640	S.RES ERJ3GEYJ 473 V (47 k)	T	28.5/30.5
R214	7030003640	S.RES ERJ3GEYJ 473 V (47 k)	T	13.9/30.5
R215	7030003640	S.RES ERJ3GEYJ 473 V (47 k)	T	27.2/30.5
R216	7030003640	S.RES ERJ3GEYJ 473 V (47 k)	T	12.6/30.5
R217	7030003640	S.RES ERJ3GEYJ 473 V (47 k)	T	25.9/30.5
R218	7030003640	S.RES ERJ3GEYJ 473 V (47 k)	T	11.3/30.5
R219	7030003640	S.RES ERJ3GEYJ 473 V (47 k)	T	24.6/30.5
R220	7030003640	S.RES ERJ3GEYJ 473 V (47 k)	T	10/30.5
R221	7030003200	S.RES ERJ3GEYJ 100 V (10)	B	34/34.7
R222	7030003200	S.RES ERJ3GEYJ 100 V (10)	B	32.7/33.9
R223	7030003200	S.RES ERJ3GEYJ 100 V (10)	B	31.4/34.7
R224	7030003200	S.RES ERJ3GEYJ 100 V (10)	B	30.1/33.9
R225	7030003200	S.RES ERJ3GEYJ 100 V (10)	B	28.8/34.7
R226	7030003200	S.RES ERJ3GEYJ 100 V (10)	B	27.5/33.9
R227	7030003200	S.RES ERJ3GEYJ 100 V (10)	B	26.2/34.7
R228	7030003200	S.RES ERJ3GEYJ 100 V (10)	B	24.9/33.9
R229	7030003200	S.RES ERJ3GEYJ 100 V (10)	B	19/33.9
R230	7030003200	S.RES ERJ3GEYJ 100 V (10)	B	17.8/33.9
R232	7030003200	S.RES ERJ3GEYJ 100 V (10)	B	15.2/33.9
R233	7030003200	S.RES ERJ3GEYJ 100 V (10)	B	13.9/33.9
R234	7030003200	S.RES ERJ3GEYJ 100 V (10)	B	12.6/33.9
R235	7030003200	S.RES ERJ3GEYJ 100 V (10)	B	11.3/33.9
R236	7030003200	S.RES ERJ3GEYJ 100 V (10)	B	10/33.9
R350	7030003360	S.RES ERJ3GEYJ 221 V (220)	T	112.9/17.6
R351	7030003360	S.RES ERJ3GEYJ 221 V (220)	T	111.6/17.6
R352	7030003360	S.RES ERJ3GEYJ 221 V (220)	T	110.3/17.6
R401	7030010260	S.RES ERJ1TYJ 3R3 U	T	45.8/13.9
R402	7030011220	S.RES ERJ1TY 180U (18)	B	78.8/20.3
R403	7030011220	S.RES ERJ1TY 180U (18)	B	78.8/16.6
R450	7030003340	S.RES ERJ3GEYJ 151 V (150)	T	127.3/56.6
R451	7030003240	S.RES ERJ3GEYJ 220 V (22)	T	124.6/60.9
R452	7030003640	S.RES ERJ3GEYJ 473 V (47 k)	T	127.3/59
R453	7030003360	S.RES ERJ3GEYJ 221 V (220)	T	127.5/62.8
R454	7030003320	S.RES ERJ3GEYJ 101 V (100)	T	132.7/64.1
R455	7030003860	S.RES ERJ3GE JPW V	T	132.7/62.8
R500	7030003440	S.RES ERJ3GEYJ 102 V (1 k)	T	65.9/39.8
R501	7030003320	S.RES ERJ3GEYJ 101 V (100)	T	69.6/36.1
R502	7030003480	S.RES ERJ3GEYJ 222 V (2.2 k)	T	65.9/33.6
R550	7030003400	S.RES ERJ3GEYJ 471 V (470)	T	125/45.5
R551	7030003600	S.RES ERJ3GEYJ 223 V (22 k)	T	119.9/42.9
R552	7030003560	S.RES ERJ3GEYJ 103 V (10 k)	T	126.2/43.4
R553	7030003260	S.RES ERJ3GEYJ 330 V (33)	B	118.4/47.8
R605	7030003860	S.RES ERJ3GE JPW V	B	130.4/42.9
R606	7030003410	S.RES ERJ3GEYJ 561 V (560)	T	118.4/39.1
R607	7030007860	S.RES ERJ3GEYJ 8R2V (8.2)	T	119.5/36.5
R608	7030003410	S.RES ERJ3GEYJ 561 V (560)	T	117.2/36.5
R650	7030007220	S.RES ERA3YED 202V (2 k)	T	78.5/33
R651	7030007220	S.RES ERA3YED 202V (2 k)	T	79.2/34.9
R652	7030007230	S.RES ERA3YED 102V (1 k)	T	80.6/32.7
R653	7030007220	S.RES ERA3YED 202V (2 k)	T	80.6/35.3
R654	7030007230	S.RES ERA3YED 102V (1 k)	T	81.9/32.7
R655	7030007220	S.RES ERA3YED 202V (2 k)	T	81.9/35.3
R656	7030007230	S.RES ERA3YED 102V (1 k)	T	83.3/32.7
R657	7030007220	S.RES ERA3YED 202V (2 k)	T	83.2/35.3
R658	7030007230	S.RES ERA3YED 102V (1 k)	T	84.5/32.7
R659	7030007220	S.RES ERA3YED 202V (2 k)	T	84.5/35.3
R660	7030007230	S.RES ERA3YED 102V (1 k)	T	85.8/32.7
R661	7030007220	S.RES ERA3YED 202V (2 k)	T	85.8/35.3
R662	7030007230	S.RES ERA3YED 102V (1 k)	T	87.1/32.7
R663	7030007220	S.RES ERA3YED 202V (2 k)	T	87.1/35.3
R664	7030007210	S.RES ERA3YEB 102V (1 k)	T	88.4/32.7
R665	7030007200	S.RES ERA3YEB 202V (2 k)	T	88.4/35.3
R666	7030007210	S.RES ERA3YEB 102V (1 k)	T	90.4/32.6
R667	7030007200	S.RES ERA3YEB 202V (2 k)	T	90/35.6
R668	7030007210	S.RES ERA3YEB 102V (1 k)	T	92.4/32.4
R669	7030007200	S.RES ERA3YEB 202V (2 k)	T	92.6/35.6
R670	7030007210	S.RES ERA3YEB 102V (1 k)	T	93.7/32.4
R671	7030007200	S.RES ERA3YEB 202V (2 k)	T	95.2/35.6
R672	7030007210	S.RES ERA3YEB 102V (1 k)	T	95.5/32.4
R673	7030007200	S.RES ERA3YEB 202V (2 k)	T	98.5/34.1
R700	7030003440	S.RES ERJ3GEYJ 102 V (1 k)	B	96.9/44.3
R701	7030003800	S.RES ERJ3GEYJ 105 V (1 M)	T	102.1/52.5
R702	7030003200	S.RES ERJ3GEYJ 100 V (10)	T	99.6/48.4
R703	7030003860	S.RES ERJ3GE JPW V	T	103.9/47
R704	7030003400	S.RES ERJ3GEYJ 471 V (470)	T	101.7/32.7
R705	7030003860	S.RES ERJ3GE JPW V	T	100.7/35.7
R706	7030003860	S.RES ERJ3GE JPW V	T	102.9/32.7
R750	7030003360	S.RES ERJ3GEYJ 221 V (220)	T	76.4/44.4
R751	7030003440	S.RES ERJ3GEYJ 102 V (1 k)	T	76.4/43.2
R752	7030003800	S.RES ERJ3GEYJ 105 V (1 M)	T	75.3/51.2
R753	7030003440	S.RES ERJ3GEYJ 102 V (1 k)	T	76.4/41.6
R754	7030003440	S.RES ERJ3GEYJ 102 V (1 k)	T	76.4/40.3
R755	7030003440	S.RES ERJ3GEYJ 102 V (1 k)	T	77.7/58.4
R756	7030003860	S.RES ERJ3GE JPW V	T	76.5/51.2
R757	7030003320	S.RES ERJ3GEYJ 101 V (100)	T	77.7/51.2
R758	7030003440	S.RES ERJ3GEYJ 102 V (1 k)	B	95.2/57
R760	7030003320	S.RES ERJ3GEYJ 101 V (100)	B	77.5/44.4
R800	7030003860	S.RES ERJ3GE JPW V	B	95.8/63.5
R802	7030003240	S.RES ERJ3GEYJ 220 V (22)	B	106.4/59.8

[PLL UNIT]

REF NO.	ORDER NO.	DESCRIPTION	M.	H/V LOCATION
R803	7030003640	S.RES ERJ3GEYJ 473 V (47 k)	B	101.6/59.8
R804	7030003360	S.RES ERJ3GEYJ 221 V (220)	B	103.2/59.8
R830	7030003500	S.RES ERJ3GEYJ 332 V (3.3 k)	B	102.6/83.9
R831	7030003470	S.RES ERJ3GEYJ 182 V (1.8 k)	B	101.1/85.9
R832	7030003470	S.RES ERJ3GEYJ 182 V (1.8 k)	B	97.1/88.2
R834	7030003500	S.RES ERJ3GEYJ 332 V (3.3 k)	B	99.5/89
R835	7010003281	RES PSD1/4V 100	B	91.4/87.4
R835	7030003320	S.RES ERJ3GEYJ 101 V (100)	B	91.4/87.4
R836	7030003840	S.RES ERJ3GEYJ 225 V (2.2 M)	B	96/60.7
R837	7030005351	S.RES ERA3YED 103V (10 k)	T	93.9/57.7
R838	7030010600	S.RES ERA3YHD 150V (15)	B	96/59.4
R839	7030009661	S.RES ERA3YED 121V (120)	T	91.2/57.2
R860	7030003860	S.RES ERJ3GE JPW V	B	90.5/65.8
R861	7030003400	S.RES ERJ3GEYJ 471 V (470)	B	92.7/63.5
R862	7030003860	S.RES ERJ3GE JPW V	B	93/66.9
R863	7030003320	S.RES ERJ3GEYJ 101 V (100)	B	92.5/73.7
R864	7030003360	S.RES ERJ3GEYJ 221 V (220)	B	92.2/72.1
R865	7030003640	S.RES ERJ3GEYJ 473 V (47 k)	B	91.4/69.7
R900	7030003320	S.RES ERJ3GEYJ 101 V (100)	B	86.7/73.9
R901	7030003350	S.RES ERJ3GEYJ 181 V (180)	T	89.7/73.5
R902	7030003340	S.RES ERJ3GEYJ 151 V (150)	T	88.4/65.5
R903	7030003680	S.RES ERJ3GEYJ 104 V (100 k)	T	91/73.5
R904	7030003680	S.RES ERJ3GEYJ 104 V (100 k)	T	88.7/70.3
R930	7030003560	S.RES ERJ3GEYJ 103 V (10 k)	T	101/65.8
R931	7030003560	S.RES ERJ3GEYJ 103 V (10 k)	T	103/68.8
R932	7030003440	S.RES ERJ3GEYJ 102 V (1 k)	B	104.9/66.8
R1000	7030003900	S.RES ERJ3GEYJ 272 V (2.7 k)	T	69.4/73.4
R1001	7030003320	S.RES ERJ3GEYJ 101 V (100)	B	70.7/67.1
R1002	7030003360	S.RES ERJ3GEYJ 221 V (220)	B	63.4/58.5
R1003	7030003360	S.RES ERJ3GEYJ 221 V (220)	B	65.2/58.5
R1004	7030003360	S.RES ERJ3GEYJ 221 V (220)	B	67/58.5
R1005	7030003440	S.RES ERJ3GEYJ 102 V (1 k)	T	70.7/65.8
R1006	7030003520	S.RES ERJ3GEYJ 472 V (4.7 k)	T	60.6/58.6
R1007	7030009661	S.RES ERA3YED 221V (22 k)	B	68.5/71.4
R1009	7030007230	S.RES ERA3YED 102V (1 k)	B	70.1/69.5
R1010	7030007230	S.RES ERA3YED 102V (1 k)	B	73.8/69.1
R1011	7030003860	S.RES ERJ3GE JPW V	B	79.8/82.9
R1014	7030003860	S.RES ERJ3GE JPW V	B	74.6/66.3
R1016	7030003860	S.RES ERJ3GE JPW V	B	70.5/60.3
R1303	7030003220	S.RES ERJ3GEYJ 150 V (15)	B	71.1/111.8
R1304	7030003270	S.RES ERJ3GEYJ 390 V (39)	B	69.3/108.7
R1305	7030003260	S.RES ERJ3GEYJ 330 V (33)	B	68.5/105.2
R1306	7030003250	S.RES ERJ3GEYJ 270 V (27)	B	68.5/106.5
R1307	7030003200	S.RES ERJ3GEYJ 100 V (10)	B	82.2/108.4
R1308	7030003200	S.RES ERJ3GEYJ 100 V (10)	B	62.4/105.3
R1309	7030003370	S.RES ERJ3GEYJ 271 V (270)	B	62.1/113.6
R1310	7030003230	S.RES ERJ3GEYJ 180 V (18)	B	59.7/112.7
R1311	7030003370	S.RES ERJ3GEYJ 271 V (270)	B	59/115.1
R1351	7030003270	S.RES ERJ3GEYJ 390 V (39)	B	70.8/108.6
R1352	7030003260	S.RES ERJ3GEYJ 330 V (33)	B	73/107.9
R1353	7030003250	S.RES ERJ3GEYJ 270 V (27)	B	70.8/106
R1354	7030003200	S.RES ERJ3GEYJ 100 V (10)	B	71.7/94.9
R1355	7030003370	S.RES ERJ3GEYJ 271 V (270)	B	65.6/98.6
R1356	7030003230	S.RES ERJ3GEYJ 180 V (18)	B	63.3/97.9
R1357	7030003370	S.RES ERJ3GEYJ 271 V (270)	B	60.9/98.6
R2050	7030003260	S.RES ERJ3GEYJ 330 V (33)	T	39.6/63.4
R2051	7030003260	S.RES ERJ3GEYJ 330 V (33)	T	41.1/65.8
R2052	7030003250	S.RES ERJ3GEYJ 270 V (27)	T	39.6/64.6
R2054	7030003440	S.RES ERJ3GEYJ 102 V (1 k)	B	44.3/60.9
R2055	7030003400	S.RES ERJ3GEYJ 471 V (470)	T	39.6/59.2
R2056	7030003440	S.RES ERJ3GEYJ 102 V (1 k)	T	37.6/56
R2057	7030003440	S.RES ERJ3GEYJ 102 V (1 k)	B	44.3/54.8
R2102	7030003200	S.RES ERJ3GEYJ 100 V (10)	T	49.8/55.8
R2103	7030003400	S.RES ERJ3GEYJ 471 V (470)	T	48.4/53.1
R2104	7030003210	S.RES ERJ3GEYJ 120 V (12)	T	46.5/52.4
R2105	7030003400	S.RES ERJ3GEYJ 471 V (470)	T	48.4/51.6
R2107	7030003860	S.RES ERJ3GE JPW V	T	39.7/55.2
R2200	7030003440	S.RES ERJ3GEYJ 102 V (1 k)	B	59.1/107.1
R2300	7030003560	S.RES ERJ3GEYJ 103 V (10 k)	T	41.7/46.5
R2301	7030003200	S.RES ERJ3GEYJ 100 V (10)	T	43.8/43.8
R2302	7030003860	S.RES ERJ3GE JPW V	T	39.8/45.6
R2304	7030003310	S.RES ERJ3GEYJ 820 V (82)	T	26.2/43.3
R2306	7030003320	S.RES ERJ3GEYJ 101 V (100)	T	26/45.9
R2307	7030003200	S.RES ERJ3GEYJ 100 V (10)	T	37/42.2
R2308	7030003440	S.RES ERJ3GEYJ 102 V (1 k)	T	31.6/43.6
R2309	7030003560	S.RES ERJ3GEYJ 103 V (10 k)	T	29.5/46.9
R2310	7030003200	S.RES ERJ3GEYJ 100 V (10)	T	2

[PLL UNIT]

REF NO.	ORDER NO.	DESCRIPTION	M.	H/V LOCATION
R4001	7030003360	S.RES ERJ3GEYJ 221 V (220)	B	151.7/61.4
R4002	7030003320	S.RES ERJ3GEYJ 101 V (100)	B	153.5/61.4
R4003	7030003360	S.RES ERJ3GEYJ 221 V (220)	B	147.3/59.3
R4004	7030003360	S.RES ERJ3GEYJ 221 V (220)	B	148.5/60.7
R4005	7030003360	S.RES ERJ3GEYJ 221 V (220)	B	148.5/62.5
R4006	7030003440	S.RES ERJ3GEYJ 102 V (1 k)	B	151.9/54.7
R4007	7030003840	S.RES ERJ3GEYJ 225 V (2.2 M)	B	159.7/65.6
R4050	7030007230	S.RES ERA3YED 102V (1 k)	T	157.1/64.1
R4051	7030007661	S.RES ERA3YED 331V (330)	T	158.4/64.1
R4403	7030003200	S.RES ERJ3GEYJ 100 V (10)	B	139/107
R4404	7030003440	S.RES ERJ3GEYJ 102 V (1 k)	B	151.6/96.1
R4450	7030003440	S.RES ERJ3GEYJ 102 V (1 k)	B	158/90.9
R4451	7030003440	S.RES ERJ3GEYJ 102 V (1 k)	B	152.8/99.6
R4452	7030003680	S.RES ERJ3GEYJ 104 V (100 k)	B	164.3/86.1
R4453	7030003440	S.RES ERJ3GEYJ 102 V (1 k)	B	160.1/98.6
R4454	7030003680	S.RES ERJ3GEYJ 104 V (100 k)	B	167/118.5
R4504	7030003320	S.RES ERJ3GEYJ 101 V (100)	B	169.8/117.9
R4505	7030003310	S.RES ERJ3GEYJ 820 V (82)	B	172.5/119.4
R4512	7030003220	S.RES ERJ3GEYJ 150 V (15)	B	160.1/102.5
R4513	7030003220	S.RES ERJ3GEYJ 150 V (15)	B	160.8/105
R4514	7030003240	S.RES ERJ3GEYJ 220 V (22)	B	162.6/101.7
R4515	7030003200	S.RES ERJ3GEYJ 100 V (10)	B	170.4/94.2
R4516	7030003230	S.RES ERJ3GEYJ 180 V (18)	B	161.4/91.5
R4517	7030003370	S.RES ERJ3GEYJ 271 V (270)	B	160.7/94.1
R4518	7030003370	S.RES ERJ3GEYJ 271 V (270)	B	160.7/89
R4519	7030003340	S.RES ERJ3GEYJ 151 V (150)	B	165.2/101
R4520	7030007860	S.RES ERJ3GEYJ 8R2V (8.2)	B	162.6/98.4
R5000	7030003360	S.RES ERJ3GEYJ 221 V (220)	B	123.3/71.4
R5001	7030003360	S.RES ERJ3GEYJ 221 V (220)	B	125.1/71.4
R5002	7030003360	S.RES ERJ3GEYJ 221 V (220)	B	124.2/68.8
R5004	7030003320	S.RES ERJ3GEYJ 101 V (100)	B	149.3/81.1
R5005	7030003440	S.RES ERJ3GEYJ 102 V (1 k)	B	130.2/70.4
R5006	7030003320	S.RES ERJ3GEYJ 101 V (100)	B	128/73
R5007	7030003500	S.RES ERJ3GEYJ 332 V (3.3 k)	B	141.5/74.7
R5008	7030003860	S.RES ERJ3GE JPW V	T	129.6/78.8
R5009	7030003470	S.RES ERJ3GEYJ 182 V (1.8 k)	B	141.5/76.5
R5010	7030003500	S.RES ERJ3GEYJ 332 V (3.3 k)	B	140.2/82.9
R5011	7030003470	S.RES ERJ3GEYJ 182 V (1.8 k)	B	135.2/101.8
R5013	7030010450	S.RES ERA3YED 391V (390)	T	130.5/76.2
R5014	7030003860	S.RES ERJ3GE JPW V	T	130.5/77.5
R5015	7030003840	S.RES ERJ3GEYJ 225 V (2.2 M)	B	140.2/86.5
R5016	7030003440	S.RES ERJ3GEYJ 102 V (1 k)	B	131.4/98.7
R5017	7030003440	S.RES ERJ3GEYJ 102 V (1 k)	B	136/92.2
R5019	7030003860	S.RES ERJ3GE JPW V	B	118.9/64.4
R5020	7030003240	S.RES ERJ3GEYJ 220 V (22)	B	115.9/71.6
R5021	7030003360	S.RES ERJ3GEYJ 221 V (220)	B	115.9/69.8
R5022	7030003640	S.RES ERJ3GEYJ 473 V (47 k)	B	116.6/67.2
R5100	7030003320	S.RES ERJ3GEYJ 101 V (100)	B	124.9/100.8
R5101	7030003680	S.RES ERJ3GEYJ 104 V (100 k)	T	126.6/102.8
R5102	7030003680	S.RES ERJ3GEYJ 104 V (100 k)	B	128.7/102.8
R5103	7030003370	S.RES ERJ3GEYJ 271 V (270)	B	122.9/93.5
R5104	7030003500	S.RES ERJ3GEYJ 332 V (3.3 k)	T	120.8/98
R5105	7030003550	S.RES ERJ3GEYJ 822 V (8.2 k)	T	120.8/102.5
R5106	7030003320	S.RES ERJ3GEYJ 101 V (100)	B	119.4/95.7
R5107	7030003370	S.RES ERJ3GEYJ 271 V (270)	T	119.5/102.7
R5108	7030003400	S.RES ERJ3GEYJ 471 V (470)	B	115.7/102.5
R5109	7030003370	S.RES ERJ3GEYJ 271 V (270)	B	117.5/102.5
R5110	7030003230	S.RES ERJ3GEYJ 180 V (18)	B	117.5/105.8
R5111	7030003370	S.RES ERJ3GEYJ 271 V (270)	B	120.1/110
R5112	7030003200	S.RES ERJ3GEYJ 100 V (10)	B	120.5/85.7
R5113	7030003860	S.RES ERJ3GE JPW V	B	120.9/107.8
R5150	7030003400	S.RES ERJ3GEYJ 471 V (470)	T	123.7/106.6
R5151	7030003510	S.RES ERJ3GEYJ 392 V (3.9 k)	T	119.8/108
R5152	7030003510	S.RES ERJ3GEYJ 392 V (3.9 k)	T	118.1/106.6
R5153	7030003360	S.RES ERJ3GEYJ 221 V (220)	T	116.8/112.3
R5154	7030003370	S.RES ERJ3GEYJ 271 V (270)	T	122.2/116.7
R5155	7030003230	S.RES ERJ3GEYJ 180 V (18)	T	122.2/118
R5156	7030003370	S.RES ERJ3GEYJ 271 V (270)	T	124.2/117.3
R5200	7030003400	S.RES ERJ3GEYJ 471 V (470)	T	127.3/106.2
R5201	7030003510	S.RES ERJ3GEYJ 392 V (3.9 k)	T	127.3/107.4
R5202	7030003510	S.RES ERJ3GEYJ 392 V (3.9 k)	T	130.6/106.9
R5203	7030003360	S.RES ERJ3GEYJ 221 V (220)	T	127.2/111.2
R5204	7030003370	S.RES ERJ3GEYJ 271 V (270)	T	131.6/121.7
R5205	7030003230	S.RES ERJ3GEYJ 180 V (18)	T	134.2/118.1
R5206	7030003370	S.RES ERJ3GEYJ 271 V (270)	T	137/118.1
R5299	7030003440	S.RES ERJ3GEYJ 102 V (1 k)	B	166.1/37.2
R5300	7030003320	S.RES ERJ3GEYJ 101 V (100)	B	156.4/40.7
R5301	7030003440	S.RES ERJ3GEYJ 102 V (1 k)	B	145.3/37
R5302	7030003360	S.RES ERJ3GEYJ 221 V (220)	B	164.1/34.9
R5303	7030003440	S.RES ERJ3GEYJ 102 V (1 k)	B	164.1/38
R5304	7030003440	S.RES ERJ3GEYJ 102 V (1 k)	B	164.3/40.5
R5305	7030003800	S.RES ERJ3GEYJ 105 V (1 M)	B	162.5/38.3
R5306	7030007220	S.RES ERA3YED 202V (2 k)	T	163.6/53.1
R5307	7030007220	S.RES ERA3YED 202V (2 k)	T	164.8/47.4
R5308	7030007220	S.RES ERA3YED 202V (2 k)	T	163.6/47.8
R5309	7030007230	S.RES ERA3YED 102V (1 k)	T	163.6/51.2
R5310	7030007220	S.RES ERA3YED 202V (2 k)	T	162.4/48.2
R5311	7030007230	S.RES ERA3YED 102V (1 k)	T	162.4/51.2
R5312	7030007220	S.RES ERA3YED 202V (2 k)	T	161.2/48.6
R5313	7030007230	S.RES ERA3YED 102V (1 k)	T	161.2/51.2
R5314	7030007220	S.RES ERA3YED 202V (2 k)	T	160/48.6
R5315	7030007230	S.RES ERA3YED 102V (1 k)	T	160/51.2
R5316	7030007220	S.RES ERA3YED 202V (2 k)	T	158.8/48.6
R5317	7030007230	S.RES ERA3YED 102V (1 k)	T	158.8/51.2
R5318	7030007220	S.RES ERA3YED 202V (2 k)	T	157.6/48.6
R5319	7030007230	S.RES ERA3YED 102V (1 k)	T	157.6/51.2
R5320	7030007200	S.RES ERA3YEB 202V (2 k)	T	156.4/48.6
R5321	7030007210	S.RES ERA3YEB 102V (1 k)	T	156.4/51.2
R5322	7030007200	S.RES ERA3YEB 202V (2 k)	T	155.2/48.6
R5323	7030007210	S.RES ERA3YEB 102V (1 k)	T	155.2/51.2
R5324	7030007200	S.RES ERA3YEB 202V (2 k)	T	154/48.6
R5325	7030007210	S.RES ERA3YEB 102V (1 k)	T	154/51.2
R5326	7030007200	S.RES ERA3YEB 202V (2 k)	T	152.8/48.6
R5327	7030007210	S.RES ERA3YEB 102V (1 k)	T	152.8/51.2

[PLL UNIT]

REF NO.	ORDER NO.	DESCRIPTION	M.	H/V LOCATION
R5328	7030007200	S.RES ERA3YEB 202V (2 k)	T	151.6/48.6
R5329	7030007210	S.RES ERA3YEB 102V (1 k)	T	151.6/51.2
R5400	7030003400	S.RES ERJ3GEYJ 471 V (470)	T	147.6/53.1
R5401	7030003400	S.RES ERJ3GEYJ 471 V (470)	T	147.1/43.7
R5402	7030003320	S.RES ERJ3GEYJ 101 V (100)	B	172.5/30.8
R5403	7030003480	S.RES ERJ3GEYJ 222 V (2.2 k)	B	166.1/28.6
R5404	7030003470	S.RES ERJ3GEYJ 182 V (1.8 k)	B	169.7/30.2
R5405	7030003360	S.RES ERJ3GEYJ 221 V (220)	B	166.4/34.1
R5406	7030003370	S.RES ERJ3GEYJ 271 V (270)	B	168.2/40.6
R5407	7030003230	S.RES ERJ3GEYJ 180 V (18)	B	170.3/39.3
R5408	7030003370	S.RES ERJ3GEYJ 271 V (270)	B	171/41.7
R5500	7030003360	S.RES ERJ3GEYJ 221 V (220)	B	130.4/45.5
R5501	7030003480	S.RES ERJ3GEYJ 222 V (2.2 k)	T	133.3/44.9
R5502	7030003370	S.RES ERJ3GEYJ 271 V (270)	T	135.5/49.4
R5503	7030003470	S.RES ERJ3GEYJ 182 V (1.8 k)	T	133.2/48.8
R5504	7030003440	S.RES ERJ3GEYJ 102 V (1 k)	T	131.3/45.5
R5505	7030003370	S.RES ERJ3GEYJ 271 V (270)	T	132.3/36.5
R5506	7030003230	S.RES ERJ3GEYJ 180 V (18)	T	130.4/35.8
R5507	7030003370	S.RES ERJ3GEYJ 271 V (270)	T	132.3/35
R5601	7030003800	S.RES ERJ3GEYJ 105 V (1 M)	B	154.1/29.6
R5602	7030003200	S.RES ERJ3GEYJ 100 V (10)	B	151.5/34.2
R5603	7030007230	S.RES ERA3YED 102V (1 k)	T	152.2/26
R5604	7030009691	S.RES ERA3YED 101V (100)	T	157.5/24.5
R5605	7030005321	S.RES ERA3YED 103V (10 k)	T	156.2/24.5
R5606	7030003560	S.RES ERJ3GEYJ 103 V (10 k)	T	147.9/14.4
R5607	7030003560	S.RES ERJ3GEYJ 103 V (10 k)	T	149.9/17.2
R5608	7030003680	S.RES ERJ3GEYJ 104 V (100 k)	T	162.2/12.6
R5609	7030003680	S.RES ERJ3GEYJ 104 V (100 k)	T	159.9/9.4
R5610	7030003340	S.RES ERJ3GEYJ 151 V (150)	T	162.5/17.4
R5611	7030003350	S.RES ERJ3GEYJ 181 V (180)	T	161.2/9.5
R5612	7030003320	S.RES ERJ3GEYJ 101 V (100)	B	164.7/9.5
R5613	7030003640	S.RES ERJ3GEYJ 473 V (47 k)	B	160.7/17.3
R5614	7030003360	S.RES ERJ3GEYJ 221 V (220)	B	162.3/14.7
R5615	7030003320	S.RES ERJ3GEYJ 101 V (100)	B	162.3/10
R5616	7030003220	S.RES ERJ3GEYJ 150 V (15)	B	163.6/17.8
R5617	7030003220	S.RES ERJ3GEYJ 150 V (15)	B	165.2/21.2
R5618	7030003310	S.RES ERJ3GEYJ 820 V (82)	B	163.6/21.2
R5619	7030003240	S.RES ERJ3GEYJ 220 V (22)	B	142.7/32.8
R5620	7030003320	S.RES ERJ3GEYJ 101 V (100)	B	163.6/24.5
R5621	7030003320	S.RES ERJ3GEYJ 101 V (100)	B	161.1/25.2
R5622	7030003640	S.RES ERJ3GEYJ 473 V (47 k)	T	149.4/24.3
R5623	7030003360	S.RES ERJ3GEYJ 221 V (220)	T	147.1/25.8
R5624	7030003350	S.RES ERJ3GEYJ 181 V (180)	B	166.3/24.5
R5625	7030003260	S.RES ERJ3GEYJ 330 V (33)	B	168.9/25.4
R5626	7030003350	S.RES ERJ3GEYJ 181 V (180)	B	169.6/27
R5630	7030003440	S.RES ERJ3GEYJ 102 V (1 k)	B	146/117.1
R5631	7030003320	S.RES ERJ3GEYJ 101 V (100)	B	157.1/33.2
R5632	7030003840	S.RES ERJ3GEYJ 225 V (2.2 M)	T	136.1/10.3
R5633	7030003860	S.RES ERJ3GE JPW V	T	146.7/28.9
C100	4030011600	S.CER C1608 JB 1E 104K-T	B	47.3/18.8
C104	4030011600	S.CER C1608 JB 1E 104K-T	T	37.1/29.2
C106	4030006860	S.CER C1608 JB 1H 102K-T	B	26.5/13.1
C107	4030007050	S.CER C1608 CH 1H 220J-T	T	25.9/16.8
C108	4030007050	S.CER C1608 CH 1H 220J-T	T	29.1/17.8
C109	4030006860	S.CER C1608 JB 1H 102K-T	T	27.1/16.8
C110	4030007050	S.CER C1608 CH 1H 220J-T	T	27.9/17.8
C111	4030007050	S.CER C1608 CH 1H 220J-T	T	23.5/16.8
C112	4030007050	S.CER C1608 CH 1H 220J-T	T	23.1/17.8
C114	4030006860	S.CER C1608 JB 1H 102K-T	B	24.2/7.8
C115	4030006860	S.CER C1608 JB 1H 102K-T	B	19.2/7.4
C200	4030011600	S.CER C1608 JB 1E 104K-T	B	21.4/22.1
C213	4030011600	S.CER C1608 JB 1E 104K-T	B	6.2/22.1
C300	4030011600	S.CER C1608 JB 1E 104K-T	B	130/7.9
C301	4030011600	S.CER C1608 JB 1E 104K-T	T	19.8/22.3
C303	4030011600	S.CER C1608 JB 1E 104K-T	T	34.8/22.9
C350	4510008500	S.ELE EEE1CA101WP	T	102.2/22.2
C351	4030006860	S.CER C1608 JB 1H 472K-T	T	107.1/20.8
C352	4030017810	S.CER C1608 CH 1H 102J-T	T	107.1/23.6
C400	4510008500	S.ELE EEE1CA101WP	T	64/8.3
C401	4510008500	S.ELE EEE1CA101WP	T	96.4/6.5
C403	4030011600	S.CER C1608 JB 1E 104K-T	B	37.6/9.2
C404	4030011600	S.CER C1608 JB 1E		

[PLL UNIT]

REF NO.	ORDER NO.	DESCRIPTION	M.	H/V LOCATION
C704	4030011600	S.CER C1608 JB 1E 104K-T	T	100.4/32.7
C708	4030011600	S.CER C1608 JB 1E 104K-T	T	101.7/47.5
C750	4030006880	S.CER C1608 JB 1H 472K-T	B	76.3/46.8
C751	4030006880	S.CER C1608 JB 1H 472K-T	T	77.7/57.2
C752	4030011600	S.CER C1608 JB 1E 104K-T	T	76.5/49.2
C753	4030011600	S.CER C1608 JB 1E 104K-T	T	74.2/54.5
C754	4030006880	S.CER C1608 JB 1H 472K-T	T	99/57.1
C755	4030006880	S.CER C1608 JB 1H 472K-T	T	84.4/56.8
C756	4030011600	S.CER C1608 JB 1E 104K-T	B	83/52
C757	4030011600	S.CER C1608 JB 1E 104K-T	B	83/50.2
C758	4030011600	S.CER C1608 JB 1E 104K-T	B	80.2/46.9
C759	4030011600	S.CER C1608 JB 1E 104K-T	B	82.4/43.2
C761	4030011600	S.CER C1608 JB 1E 104K-T	T	97.8/57.1
C763	4030006880	S.CER C1608 JB 1H 472K-T	B	79.6/58.1
C764	4030006880	S.CER C1608 JB 1H 472K-T	B	78.8/56.8
C765	4510008540	S.ELE EEE1CA100SR	T	102.1/56.2
C766	4030006880	S.CER C1608 JB 1H 472K-T	B	79.6/55.5
C767	4030011600	S.CER C1608 JB 1E 104K-T	B	83.6/41.6
C769	4030011600	S.CER C1608 JB 1E 104K-T	B	87.5/51.8
C770	4030011600	S.CER C1608 JB 1E 104K-T	T	88.4/57.6
C771	4030011600	S.CER C1608 JB 1E 104K-T	B	91/41.7
C772	4030011600	S.CER C1608 JB 1E 104K-T	T	95.7/39.2
C773	4030011600	S.CER C1608 JB 1E 104K-T	B	90.7/51.8
C774	4030011600	S.CER C1608 JB 1E 104K-T	B	93.5/57.8
C775	4030011600	S.CER C1608 JB 1E 104K-T	B	92.7/51.8
C776	4030011600	S.CER C1608 JB 1E 104K-T	T	98.5/53.1
C777	4030011600	S.CER C1608 JB 1E 104K-T	T	97.5/48.2
C778	4030011600	S.CER C1608 JB 1E 104K-T	T	97.1/41.7
C779	4030011600	S.CER C1608 JB 1E 104K-T	T	97.1/44.4
C800	4030006880	S.CER C1608 JB 1H 472K-T	B	106.4/62.6
C801	4030006880	S.CER C1608 JB 1H 472K-T	B	97.4/63.5
C802	4030011600	S.CER C1608 JB 1E 104K-T	B	104.8/59.8
C830	4030017810	S.CER C1608 CH 1H 102J-T	B	101.1/83.1
C831	4030017810	S.CER C1608 CH 1H 102J-T	B	91.4/82
C832	4030017810	S.CER C1608 CH 1H 102J-T	B	93.9/88.2
C833	4510008760	S.ELE EEE1HA4R7SR	T	83.7/78.4
C834	4030006880	S.CER C1608 JB 1H 472K-T	T	93.9/56.5
C835	4550007520	S.TAN F931A106MAABMA	B	99.5/57.3
C860	4030006880	S.CER C1608 JB 1H 472K-T	B	93/69.7
C861	4030011600	S.CER C1608 JB 1E 104K-T	B	89.2/72.1
C900	4030006880	S.CER C1608 JB 1H 472K-T	T	88.4/73.5
C901	4030007010	S.CER C1608 CH 1H 100D-T	B	90.5/67.4
C902	4510008540	S.ELE EEE1CA100SR	T	92.7/78.9
C903	4030006880	S.CER C1608 JB 1H 472K-T	T	88.7/71.6
C904	4030016550	S.CER CM105 CH 151G 50AT	T	88.7/69
C905	4030016550	S.CER CM105 CH 151G 50AT	T	88.7/67.7
C906	4030016550	S.CER CM105 CH 151G 50AT	T	100.5/71.6
C930	4030007070	S.CER C1608 CH 1H 330J-T	T	101.8/67.8
C931	4030009910	S.CER C1608 CH 1H 040B-T	T	102.9/71.6
C932	4030007070	S.CER C1608 CH 1H 330J-T	T	101.7/71.6
C933	4550007620	S.TAN F931V224MAABMA	B	103/70.1
C1000	4030017810	S.CER C1608 CH 1H 102J-T	T	66.8/73.4
C1001	4030006880	S.CER C1608 JB 1H 472K-T	T	68/74.6
C1002	4030017810	S.CER C1608 CH 1H 102J-T	T	64/73.4
C1003	4030017810	S.CER C1608 CH 1H 102J-T	T	62.8/69.9
C1004	4030011600	S.CER C1608 JB 1E 104K-T	T	67.1/64.6
C1005	4510008540	S.ELE EEE1CA100SR	T	61.7/80
C1006	4030006880	S.CER C1608 JB 1H 102K-T	T	69.8/69.8
C1007	4030011600	S.CER C1608 JB 1E 104K-T	T	69.7/64.6
C1008	4030006880	S.CER C1608 JB 1H 472K-T	T	60.6/57.4
C1009	4550006800	S.TAN TEESVB2 1D 475M-8R	B	66.7/81.7
C1010	4550006800	S.TAN TEESVB2 1D 475M-8R	B	68.5/75.3
C1011	4510008760	S.ELE EEE1HA4R7SR	T	67.2/58.8
C1012	4510008760	S.ELE EEE1HA4R7SR	T	67.2/53
C1014	4030017810	S.CER C1608 CH 1H 102J-T	B	76.2/72.7
C1015	4030017810	S.CER C1608 CH 1H 102J-T	T	78.4/66
C1016	4030007130	S.CER C1608 CH 1H 101J-T	T	78.4/67.2
C1019	4550007310	S.TAN F930J227MNMABMA	B	72.6/75.7
C1303	4030017810	S.CER C1608 CH 1H 102J-T	B	80.6/108.4
C1304	4030011600	S.CER C1608 JB 1E 104K-T	B	78.8/108.4
C1305	4510008870	S.ELE EEE1AA471UP	T	60.8/89.2
C1306	4030017810	S.CER C1608 CH 1H 102J-T	B	67.8/108.7
C1307	4030017810	S.CER C1608 CH 1H 102J-T	B	65/109
C1308	4030006860	S.CER C1608 JB 1H 102K-T	B	61.3/111.4
C1309	4030017810	S.CER C1608 CH 1H 102J-T	B	59/110.4
C1351	4030006860	S.CER C1608 JB 1H 102K-T	B	70.8/103.4
C1352	4030006860	S.CER C1608 JB 1H 102K-T	B	72.6/100.4
C1353	4030006860	S.CER C1608 JB 1H 102K-T	B	68/97.9
C1901	4050000290	S.FED CNF10R102S-TM	T	116/29.4
C1902	4050000290	S.FED CNF10R102S-TM	T	114/29.4
C1903	4050000290	S.FED CNF10R102S-TM	T	112/29.4
C1904	4050000290	S.FED CNF10R102S-TM	T	110/29.4
C1905	4050000290	S.FED CNF10R102S-TM	T	108.9/31.7
C1906	4050000290	S.FED CNF10R102S-TM	T	108.9/33.7
C1907	4050000290	S.FED CNF10R102S-TM	T	108.9/35.7
C1908	4050000300	S.FED CNF10C470S-TM	T	65/42.5
C1909	4050000300	S.FED CNF10C470S-TM	T	66.8/45
C1910	4050000300	S.FED CNF10C470S-TM	T	64.4/44.7
C1911	4050000290	S.FED CNF10R102S-TM	T	61.2/42.1
C1912	4050000290	S.FED CNF10R102S-TM	T	59.2/42.1
C1913	4050000290	S.FED CNF10R102S-TM	T	57.4/38.7
C1914	4050000290	S.FED CNF10R102S-TM	T	55.4/38.7
C1915	4050000290	S.FED CNF10R102S-TM	T	53.7/35.2
C1916	4050000290	S.FED CNF10R102S-TM	T	52.7/37.9
C1917	4050000290	S.FED CNF10R102S-TM	T	50/38.1
C1918	4050000290	S.FED CNF10R102S-TM	T	50.1/34.1
C1919	4050000290	S.FED CNF10R102S-TM	T	49.1/36.1
C1921	4050000290	S.FED CNF10R102S-TM	T	9.3/54.5
C1922	4050000290	S.FED CNF10R102S-TM	T	1.8/53.2
C1923	4050000290	S.FED CNF10R102S-TM	T	3.6/55.9
C1924	4050000290	S.FED CNF10R102S-TM	T	5.4/53.2
C1925	4050000290	S.FED CNF10R102S-TM	T	7.2/55.9
C1926	4050000290	S.FED CNF10R102S-TM	T	7.5/69.9
C1927	4050000290	S.FED CNF10R102S-TM	T	5.7/72.6

[PLL UNIT]

REF NO.	ORDER NO.	DESCRIPTION	M.	H/V LOCATION
C1928	4050000290	S.FED CNF10R102S-TM	T	3.9/69.9
C1929	4050000290	S.FED CNF10R102S-TM	T	2.1/72.6
C2051	4030017810	S.CER C1608 CH 1H 102J-T	T	38.9/66.5
C2052	4030017810	S.CER C1608 CH 1H 102J-T	B	45.1/59
C2053	4030011770	S.CER C1608 CH 1H 060B-T	T	42.1/63.5
C2054	4030006860	S.CER C1608 JB 1H 102K-T	T	38.8/57.3
C2055	4030006860	S.CER C1608 JB 1H 102K-T	T	42.6/53.8
C2056	4030007030	S.CER C1608 CH 1H 150J-T	T	43.5/63.6
C2057	4030011770	S.CER C1608 CH 1H 060B-T	T	45.7/64.3
C2058	4030009910	S.CER C1608 CH 1H 040B-T	T	45.7/63
C2059	4030009550	S.CER C1608 CH 1H 2R5B-T	T	47.8/62.2
C2060	4030009910	S.CER C1608 CH 1H 040B-T	T	45.7/61.8
C2061	4030006990	S.CER C1608 CH 1H 080D-T	T	44.7/50.6
C2062	4030009920	S.CER C1608 CH 1H 050B-T	T	44.7/53
C2063	4030006990	S.CER C1608 CH 1H 080D-T	T	42.8/51.1
C2100	4030017810	S.CER C1608 CH 1H 102J-T	T	48.5/58.5
C2101	4030017810	S.CER C1608 CH 1H 102J-T	T	44.2/59.8
C2102	4030006860	S.CER C1608 JB 1H 102K-T	T	48.5/55.8
C2105	4030007030	S.CER C1608 CH 1H 150J-T	T	41.1/53.7
C2106	4030007030	S.CER C1608 CH 1H 220J-T	T	40.3/51.6
C2201	4030007030	S.CER C1608 CH 1H 150J-T	B	56.8/69
C2202	4030007050	S.CER C1608 CH 1H 220J-T	B	55.6/67.5
C2203	4030007030	S.CER C1608 CH 1H 150J-T	B	54.4/69
C2204	4030009530	S.CER C1608 CH 1H 030B-T	T	46.4/66.8
C2205	4030009520	S.CER C1608 CH 1H 020B-T	T	44.1/67.5
C2206	4030009530	S.CER C1608 CH 1H 030B-T	T	41.9/67.2
C2300	4030007030	S.CER C1608 CH 1H 150J-T	T	43.8/46.2
C2301	4030011600	S.CER C1608 JB 1E 104K-T	T	42/42.7
C2302	4030011600	S.CER C1608 JB 1E 104K-T	T	45.9/47.4
C2303	4030006860	S.CER C1608 JB 1H 102K-T	T	27.2/45.6
C2304	4550006240	S.TAN TEESVB2 0G 336M8R	T	48.8/42.4
C2305	4030011600	S.CER C1608 JB 1E 104K-T	T	34.1/42.2
C2306	4030006860	S.CER C1608 JB 1H 102K-T	T	31.8/46.2
C2307	4030011600	S.CER C1608 JB 1E 104K-T	T	29.2/43.1
C2400	4030007090	S.CER C1608 CH 1H 470J-T	T	24.8/45.9
C2401	4030007010	S.CER C1608 CH 1H 100D-T	T	23.6/44.4
C2402	4030007100	S.CER C1608 CH 1H 560J-T	T	22.9/46.6
C2403	4030007060	S.CER C1608 CH 1H 270J-T	T	22.2/44.4
C2404	4030007070	S.CER C1608 CH 1H 330J-T	T	20.9/45.8
C2405	4030007090	S.CER C1608 CH 1H 470J-T	T	20.9/43.2
C2406	4030010760	S.CER C1608 CH 1H 331J-T	T	18.8/44.1
C2407	4030007060	S.CER C1608 CH 1H 270J-T	T	18.8/42.9
C2408	4030007140	S.CER C1608 CH 1H 121J-T	T	16.8/43.1
C2409	4030007100	S.CER C1608 CH 1H 560J-T	T	15.6/43.1
C2500	4030017810	S.CER C1608 CH 1H 102J-T	B	10.1/83.9
C2510	4030017810	S.CER C1608 CH 1H 102J-T	B	2.8/115.6
C2511	4030017810	S.CER C1608 CH 1H 102J-T	T	3.7/118.9
C2512	4030017810	S.CER C1608 CH 1H 102J-T	T	3.8/115.2
C2513	4030017810	S.CER C1608 CH 1H 102J-T	B	23.5/96.7
C2514	4030017810	S.CER C1608 CH 1H 102J-T	B	23.5/93.2
C2515	4030017810	S.CER C1608 CH 1H 102J-T	B	23.5/89.7
C2516	4030017810	S.CER C1608 CH 1H 102J-T	B	23.5/86.2
C2556	4030017810	S.CER C1608 CH 1H 102J-T	B	29.2/95.9
C2557	4030017810	S.CER C1608 CH 1H 102J-T	B	31.8/88.3
C2558	4030017810	S.CER C1608 CH 1H 102J-T	B	35.2/89.9
C2559	4030017810	S.CER C1608 CH 1H 102J-T	B	37.9/84.2
C2561	4030017810	S.CER C1608 CH 1H 102J-T	B	18.6/118.6
C2562	4030017810	S.CER C1608 CH 1H 102J-T	B	20.1/106.6
C2563	4030017810	S.CER C1608 CH 1H 102J-T	B	21.9/106.6
C2701	4030017810	S.CER C1608 CH 1H 102J-T	T	50.6/114
C3004	4030017810	S.CER C1608 CH 1H 102J-T	B	49.2/125.2
C3005	4030017810	S.CER C1608 CH 1H 102J-T	B	44.4/122
C3006	4030017810	S.CER C1608 CH 1H 102J-T	B	46.8/114
C3008	4030006860	S.CER C1608 JB 1H 102K-T	B	54.7/118
C3010	4030017810	S.CER C1608 CH 1H 102J-T	T	47.6/114
C3101	4030009910	S.CER C1608 CH 1H 040B-T	B	32.7/117.3
C3102	4030009530	S.CER C1608 CH 1H 030B-T	B	31.6/119.8
C3103	4030006980	S.CER C1608 CH 1H 070D-T	B	30.9/117.3
C3104	4030009510	S.CER C1608 CH 1H 010B-T	B	27.3/120.6
C3105	4030009910	S.CER C1608 CH 1H 040B-T	B	29.1/117.3
C3106	4030009910	S.CER C1608 CH 1H 040B-T	B	27.3/117.3
C3107	4030006980	S.CER C1608 CH 1H 070D-T	B	25.5/117.3
C3108	4030009550			

[PLL UNIT]

REF NO.	ORDER NO.	DESCRIPTION	M.	H/V LOCATION
C4459	4030006860	S.CER C1608 JB 1H 102K-T	B	153.7/89.6
C4460	4030006860	S.CER C1608 JB 1H 102K-T	B	153.6/86.1
C4461	4030017810	S.CER C1608 CH 1H 102J-T	B	164.9/80.8
C4462	4030017810	S.CER C1608 CH 1H 102J-T	B	161.7/80.7
C4500	4030006860	S.CER C1608 JB 1H 102K-T	B	140.6/119
C4501	4030006860	S.CER C1608 JB 1H 102K-T	B	157/119
C4502	4030006860	S.CER C1608 JB 1H 102K-T	B	157/122
C4513	4030017810	S.CER C1608 CH 1H 102J-T	B	172.5/116
C4562	4030017810	S.CER C1608 CH 1H 102J-T	B	148.5/116.5
C4563	4030017810	S.CER C1608 CH 1H 102J-T	B	164.4/98.4
C4564	4030011600	S.CER C1608 JB 1E 104K-T	B	168/95
C4565	4030017810	S.CER C1608 CH 1H 102J-T	B	166.2/95
C4566	4030017810	S.CER C1608 CH 1H 102J-T	B	163.2/91.5
C4567	4030017810	S.CER C1608 CH 1H 102J-T	B	160.1/100.7
C4901	4050000290	S.FED CNF10R102S-TM	T	144.2/69.8
C4902	4050000290	S.FED CNF10R102S-TM	T	168/54.8
C4903	4050000290	S.FED CNF10R102S-TM	T	170/54.8
C4904	4050000290	S.FED CNF10R102S-TM	T	172/54.8
C4905	4050000290	S.FED CNF10R102S-TM	T	172.3/50.6
C4906	4050000290	S.FED CNF10R102S-TM	T	174.3/50.6
C4907	4050000290	S.FED CNF10R102S-TM	T	176.3/50.6
C4908	4050000290	S.FED CNF10R102S-TM	T	170.3/50.6
C4909	4050000290	S.FED CNF10R102S-TM	T	174/54.8
C4910	4050000300	S.FED CNF10C470S-TM	T	143/57.6
C4911	4050000300	S.FED CNF10C470S-TM	T	143/55.6
C4912	4050000300	S.FED CNF10C470S-TM	T	143/53.6
C4913	4050000290	S.FED CNF10R102S-TM	T	139.2/106.5
C5000	4030006880	S.CER C1608 JB 1H 472K-T	B	119.5/77.9
C5001	4510008540	S.ELE EEE1CA100SR	T	130/71
C5002	4030011600	S.CER C1608 JB 1E 104K-T	B	133.5/70.9
C5003	4030006860	S.CER C1608 JB 1H 102K-T	T	126.9/73.6
C5004	4030011600	S.CER C1608 JB 1E 104K-T	T	119.9/74.5
C5005	4030017810	S.CER C1608 CH 1H 102J-T	T	123.4/70.1
C5006	4030011600	S.CER C1608 JB 1E 104K-T	B	149.3/82.9
C5007	4030017810	S.CER C1608 CH 1H 102J-T	T	133/85.1
C5008	4550006390	S.TAN TEESVA 1C 335M8R	T	130.6/74.5
C5009	4030006860	S.CER C1608 JB 1H 102K-T	B	130.5/101.1
C5010	4550007510	S.TAN F931C106MABAMA	B	127.7/106.1
C5012	4030006900	S.CER C1608 JB 1H 103K-T	T	123.5/79.2
C5013	4340000440	S.MLR EPCU1C684MA5	T	127.3/77.6
C5018	4030006880	S.CER C1608 JB 1H 472K-T	B	118.4/70.8
C5019	4030006880	S.CER C1608 JB 1H 472K-T	B	115.6/64.4
C5020	4030011600	S.CER C1608 JB 1E 104K-T	B	112.6/69.8
C5021	4030006880	S.CER C1608 JB 1H 472K-T	T	119.9/77.2
C5100	4030007130	S.CER C1608 CH 1H 101J-T	T	133.9/97.8
C5101	4030007120	S.CER C1608 CH 1H 820J-T	B	129.1/97.1
C5102	4030007110	S.CER C1608 CH 1H 680J-T	T	131.5/97.8
C5105	4030017810	S.CER C1608 CH 1H 102J-T	T	129.4/103.6
C5106	4030007120	S.CER C1608 CH 1H 820J-T	T	122.2/102.6
C5107	4030007090	S.CER C1608 CH 1H 470J-T	T	122/97.7
C5108	4030006860	S.CER C1608 JB 1H 102K-T	T	128.8/102.2
C5109	4030009520	S.CER C1608 CH 1H 020B-T	T	121.6/100.6
C5110	4030007110	S.CER C1608 CH 1H 680J-T	T	120.8/95.4
C5111	4030007090	S.CER C1608 CH 1H 470J-T	B	119.5/101.3
C5112	4030006860	S.CER C1608 JB 1H 102K-T	T	118.3/102.7
C5113	4030011600	S.CER C1608 JB 1E 104K-T	B	116/95.7
C5114	4030006860	S.CER C1608 JB 1H 102K-T	B	117.6/95.7
C5115	4030006860	S.CER C1608 JB 1H 102K-T	T	122/95.1
C5116	4030006860	S.CER C1608 JB 1H 102K-T	B	117.8/88.1
C5117	4030011600	S.CER C1608 JB 1E 104K-T	B	117/85.5
C5118	4510008830	S.ELE EEE1CA221P	T	125.7/86.5
C5150	4030006860	S.CER C1608 JB 1H 102K-T	T	120.9/106.6
C5151	4030006860	S.CER C1608 JB 1H 102K-T	T	119.6/112.3
C5152	4030006860	S.CER C1608 JB 1H 102K-T	T	116.8/111
C5153	4030007100	S.CER C1608 CH 1H 560J-T	T	118.3/113.6
C5154	4030007070	S.CER C1608 CH 1H 330J-T	T	120.3/114.3
C5155	4030007130	S.CER C1608 CH 1H 101J-T	T	118.3/114.9
C5156	4030007020	S.CER C1608 CH 1H 120J-T	T	118.3/116.2
C5157	4030007110	S.CER C1608 CH 1H 680J-T	T	117.8/120.8
C5200	4030006860	S.CER C1608 JB 1H 102K-T	T	129.3/106.9
C5201	4030006860	S.CER C1608 JB 1H 102K-T	T	125.1/111.7
C5202	4030006860	S.CER C1608 JB 1H 102K-T	T	129.2/111.7
C5203	4030007100	S.CER C1608 CH 1H 560J-T	T	127.2/112.5
C5204	4030007070	S.CER C1608 CH 1H 330J-T	T	128.2/117.1
C5205	4030007130	S.CER C1608 CH 1H 101J-T	T	127.6/119.1
C5206	4030007020	S.CER C1608 CH 1H 120J-T	T	128.9/119.1
C5207	4030007110	S.CER C1608 CH 1H 680J-T	T	130.3/121.7
C5300	4030006880	S.CER C1608 JB 1H 472K-T	B	158.7/40
C5301	4030011600	S.CER C1608 JB 1E 104K-T	B	156.8/36.8
C5302	4030011600	S.CER C1608 JB 1E 104K-T	B	160.7/30
C5303	4030011600	S.CER C1608 JB 1E 104K-T	B	160.7/32
C5304	4030006880	S.CER C1608 JB 1H 472K-T	B	151.5/37.1
C5305	4030011600	S.CER C1608 JB 1E 104K-T	B	152.7/37.1
C5306	4510008870	S.ELE EEE1AA471UP	T	173.1/44.8
C5307	4030011600	S.CER C1608 JB 1E 104K-T	B	160.2/34.2
C5308	4030011600	S.CER C1608 JB 1E 104K-T	T	163.7/43.6
C5309	4030011600	S.CER C1608 JB 1E 104K-T	T	161.7/45.2
C5310	4030011600	S.CER C1608 JB 1E 104K-T	B	161/42.7
C5311	4030011600	S.CER C1608 JB 1E 104K-T	T	151.2/46
C5312	4030011600	S.CER C1608 JB 1E 104K-T	B	150.7/45.1
C5313	4030011600	S.CER C1608 JB 1E 104K-T	T	146.6/41.8
C5314	4030011600	S.CER C1608 JB 1E 104K-T	T	146.7/37.3
C5315	4030011600	S.CER C1608 JB 1E 104K-T	B	148.8/34.9
C5316	4030011600	S.CER C1608 JB 1E 104K-T	T	146.7/33.5
C5317	4030011600	S.CER C1608 JB 1E 104K-T	T	148/28.4
C5318	4030011600	S.CER C1608 JB 1E 104K-T	B	151.3/28.6
C5319	4030011600	S.CER C1608 JB 1E 104K-T	T	154.1/26.7
C5320	4030011600	S.CER C1608 JB 1E 104K-T	T	157.2/26.7
C5400	4030011600	S.CER C1608 JB 1E 104K-T	T	150.2/53.1
C5401	4030006880	S.CER C1608 JB 1H 472K-T	B	173.3/29.2
C5402	4030011600	S.CER C1608 JB 1E 104K-T	B	149.8/41.5
C5403	4030011600	S.CER C1608 JB 1E 104K-T	B	168.2/35.7
C5404	4030006860	S.CER C1608 JB 1H 102K-T	B	168.2/37.8
C5500	4030006880	S.CER C1608 JB 1H 472K-T	T	130.6/48.8

[PLL UNIT]

REF NO.	ORDER NO.	DESCRIPTION	M.	H/V LOCATION
C5501	4030006880	S.CER C1608 JB 1H 472K-T	T	134.2/50.9
C5502	4030006880	S.CER C1608 JB 1H 472K-T	T	135.5/46.6
C5503	4030006880	S.CER C1608 JB 1H 472K-T	T	129.8/45.5
C5504	4030007100	S.CER C1608 CH 1H 560J-T	T	134.7/41.5
C5505	4030008750	S.CER C1608 CH 1H 360J-T	T	133.5/41.5
C5506	4030007140	S.CER C1608 CH 1H 121J-T	T	134.2/39.5
C5507	4030007020	S.CER C1608 CH 1H 120J-T	T	132.3/38.9
C5508	4030007110	S.CER C1608 CH 1H 680J-T	T	134.2/38.3
C5601	4030011600	S.CER C1608 JB 1E 104K-T	B	153.7/34.8
C5602	4550000460	S.TAN TEESVA 1C 105M8R	T	160.6/24
C5604	4550007620	S.TAN F931V224MAABMA	B	147.9/12.8
C5605	4030007070	S.CER C1608 CH 1H 330J-T	T	149.2/11.3
C5606	4030007070	S.CER C1608 CH 1H 330J-T	T	149.1/15.1
C5607	4030009510	S.CER C1608 CH 1H 010B-T	T	148/11.3
C5608	4030016550	S.CER CM105 CH 151G 50AT	T	150.4/11.3
C5609	4030016550	S.CER CM105 CH 151G 50AT	T	162.2/13.9
C5610	4030016550	S.CER CM105 CH 151G 50AT	T	162.2/15.2
C5611	4030006880	S.CER C1608 JB 1H 472K-T	T	162.2/11.3
C5612	4030009920	S.CER C1608 CH 1H 050B-T	B	159.2/13.2
C5613	4510008540	S.ELE EEE1CA100SR	T	168.7/11
C5614	4030006860	S.CER C1608 JB 1H 102K-T	T	162.5/9.5
C5615	4030011600	S.CER C1608 JB 1E 104K-T	B	161.6/12.3
C5616	4030006860	S.CER C1608 JB 1H 102K-T	B	161.6/17.1
C5617	4030006860	S.CER C1608 JB 1H 102K-T	B	141.2/32.8
C5618	4030006860	S.CER C1608 JB 1H 102K-T	T	152/23.8
C5619	4030011600	S.CER C1608 JB 1E 104K-T	T	147.9/23
C5620	4030006860	S.CER C1608 JB 1H 102K-T	B	168.9/8.6
C5622	4030006860	S.CER C1608 JB 1H 102K-T	T	170.2/29.1
C5901	4050000300	S.FED CNF10C470S-TM	T	136.7/64.4
C5902	4050000300	S.FED CNF10C470S-TM	T	136.7/60.4
C5903	4050000300	S.FED CNF10C470S-TM	T	136.7/62.4
C5904	4050000290	S.FED CNF10R102S-TM	T	136.7/58.4
C5905	4050000290	S.FED CNF10R102S-TM	T	142.2/69.8
C5906	4050000290	S.FED CNF10R102S-TM	T	140.2/69.8
C5907	4050000290	S.FED CNF10R102S-TM	T	138.2/69.8
CP830	6910009670	S.CHK HK3-S-T	T	107.8/65.4
CP1000	6910009670	S.CHK HK3-S-T	T	83.3/72.2
CP4001	6910009670	S.CHK HK3-S-T	T	168.7/72.2
CP5001	6910009670	S.CHK HK3-S-T	T	135.1/83.6
CP5601	6910009670	S.CHK HK3-S-T	T	142/12.2
J1	6510021721	S.CNR 30FLT-SM2-TB (LF) (SN)	T	28.2/12.6
J450	6510007020	CNR TMP-J01X-V6		
J500	6510007020	CNR TMP-J01X-V6		
J1301	6510007020	CNR TMP-J01X-V6		
J2400	6510007020	CNR TMP-J01X-V6		
J2501	6510023480	S.CNR AYU1-1P-02676-120-TF	T	6.3/80
J4500	6510007020	CNR TMP-J01X-V6		
J5150	6510007020	CNR TMP-J01X-V6		
J5200	6510007020	CNR TMP-J01X-V6		
J5400	6510007020	CNR TMP-J01X-V6		
J5500	6510007020	CNR TMP-J01X-V6		
EP100	6910012350	S.BEA MMZ1608Y 102BT	B	30.3/12.8
EP102	6910014730	S.BEA MPZ2012S331A-T	B	20.8/7.6
EP104	6910014730	S.BEA MPZ2012S331A-T	B	22.6/7.6
EP750	6910012350	S.BEA MMZ1608Y 102BT	T	75.1/58.4
EP751	6910012350	S.BEA MMZ1608Y 102BT	B	81.8/59.9
EP752	6910012350	S.BEA MMZ1608Y 102BT	B	83.6/55.5
EP753	6910012350	S.BEA MMZ1608Y 102BT	B	82.9/56.8
EP754	6910012350	S.BEA MMZ1608Y 102BT	B	83.6/58.1
EP4500	6910012350	S.BEA MMZ1608Y 102BT	B	142.5/119.8

M.=Mounted side (T: Mounted on the Top side B: Mounted on the Bottom side)
S.=Surface mount

[SCOPE/TV UNIT]

REF NO.	ORDER NO.	DESCRIPTION	M.	H/V LOCATION
IC101	1110005040	S.IC M52342FP 600C	T	14.5/41.6
IC201	1130011741	S.IC TC7W66FK (TE85L,F)	T	28.4/69.6
IC202	1130011741	S.IC TC7W66FK (TE85L,F)	T	10.9/66.8
IC203	1130011741	S.IC TC7W66FK (TE85L,F)	T	27.7/56.8
IC204	1130011741	S.IC TC7W66FK (TE85L,F)	T	9/62.3
IC401	1130011530	S.IC CD74HC4094M96	T	58.2/18.6
IC451	1130012620	S.IC SN74AHC1T1G86DCKR	T	95.8/19.4
IC1001	1110006180	S.IC UPG2009TB-E3	T	63.4/87.6
IC1002	1110006180	S.IC UPG2009TB-E3	T	70/86.8
IC1101	1190002051	S.IC SPM5001-TL-E	T	90.3/70.5
IC1403	1190002130	S.IC AD9852ASTZ	T	87.4/37.4
IC1501	1110006990	S.IC PC2710TB-E3	T	99.3/49.9
IC1601	1110006131	S.IC PC4094G2-E1-A	T	135.2/70.4
IC1602	1110006131	S.IC PC4094G2-E1-A	T	132.7/57.1
IC2001	1130013440	S.IC SN74LVC2G74DCTDR	T	115.2/18.2
IC2201	1190002051	S.IC SPM5001-TL-E	T	55.8/39.2
Q1	1580000751	S.FET 3SK294 (TE85L,F)	B	59.1/17
Q2	1530002561	S.STR 2SC4403-3-TL-E	B	63.4/4
Q101	1590003930	S.STR UMD22N TR	T	21.3/42
Q301	1510000620	S.STR 2SA1576 T106 S	T	4.5/66.9
Q501	1590003930	S.STR UMD22N TR	T	48.3/26.6
Q551	1590003930	S.STR UMD22N TR	T	49.6/16
Q601	1590003930	S.STR UMD22N TR	T	50.4/8.7
Q651	1590003930	S.STR UMD22N TR	T	50.4/5.3
Q1001	1560000641	S.FET 2SK1740-4/5-TB-E	T	65.3/78.7
Q1002	1560001260	S.FET 2SK3018 T106	B	60.8/84.9
Q1003	1560001260	S.FET 2SK3018 T106	B	67.7/84.3
Q1051	1530003851	S.STR 2SC551A-F-E	T	103.3/85.5
Q1202	1560000561	S.FET 2SK882-GR (TE85L,F)	T	123.6/44.8
Q1203	1560000561	S.FET 2SK882-GR (TE85L,F)	T	118.8/38.6
Q1301	1530002060	S.STR 2SC4081 T106 R	T	76.8/51.2
Q1901	1530003151	S.STR 2SC4673D-TD-E	T	68.8/56.6
Q2001	1530002561	S.STR 2SC4403-3-TL-E	T	112.2/25.4
Q2101	1560000641	S.FET 2SK1740-4/5-TB-E	T	61.9/75.7
Q2181	1530003431	S.STR 2SC5226A 4-ETL-E	B	50/57.4
Q2301	1530003151	S.STR 2SC4673D-TD-E	T	39/60.1
D101	1750000771	S.VCP HVC376BTRF-E	T	15/51
D501	1750000581	S.DIO 1SV307 (TPH3,F)	T	48.2/22.9
D502	1750000581	S.DIO 1SV307 (TPH3,F)	T	14.7/21
D551	1750000581	S.DIO 1SV307 (TPH3,F)	T	46.4/20
D552	1750000581	S.DIO 1SV307 (TPH3,F)	T	15/17.7
D601	1750000581	S.DIO 1SV307 (TPH3,F)	T	45/13.7
D602	1750000581	S.DIO 1SV307 (TPH3,F)	T	12.8/11.2
D651	1750000581	S.DIO 1SV307 (TPH3,F)	T	45/7.7
D652	1750000581	S.DIO 1SV307 (TPH3,F)	T	11.8/7.6
D1701	1750000431	S.DIO HSB88WSTR-E	T	131.4/34
FI201	2020001710	S.CER TPSKA4M50B00-R1 (TPSCC4.5M0-TC1)	T	17.1/71.7
FI202	2020001730	S.CER TPSKA5M50B00-R1 (TPSCC5.5MB-TC1)	T	23.2/64.2
FI203	2020001880	S.CER TPSKA6M00B00-R1 (TPSCC6.0MB-TC1)	T	18.3/59.3
FI204	2020002340	S.CER TPSKA6M50B00-R1	T	22/76.6
FI1201	2010002700	S.XTL FL-406 (24.2 MHz)	T	115.3/74.9
FI1202	2010002690	S.XTL FL-407 (24.2 MHz)	T	120.2/67
L70	6140004650	COL LR-523	T	
L71	6200007770	S.COL LQW2BHN10J03L	T	11.9/15.7
L102	6150005390	COL LS-164A	T	
L201	6200005021	S.COL NLV25T-150J	T	14.7/69.2
L202	6200005021	S.COL NLV25T-150J	T	20.8/61.7
L203	6200005021	S.COL NLV25T-150J	T	15.9/56.8
L204	6200005021	S.COL NLV25T-150J	T	19.6/74.2
L292	6200007800	S.COL LQW2BHN18J03L	B	77/84.6
L293	6200008080	S.COL LQW2BHN22J03L	B	77.8/87.6
L511	6200010740	S.COL C2520C-R27G-A	T	45.7/23.1
L512	6200010830	S.COL C2520C-3R3G-A	T	42.1/25
L513	6200010830	S.COL C2520C-3R3G-A	T	35.6/22.9
L514	6200010830	S.COL C2520C-3R3G-A	T	29.4/24.9
L515	6200010740	S.COL C2520C-R27G-A	T	25.8/23
L531	6200010680	S.COL C2520C-R22G-A (0.22U)	T	22.2/25.4
L532	6200010960	S.COL C2520C-R47G-A (0.47U)	T	18.6/23
L561	6200010740	S.COL C2520C-R27G-A	T	45.4/17
L562	6200010820	S.COL C2520C-2R7G-A	T	41.7/18.8
L563	6200010820	S.COL C2520C-2R7G-A	T	35.3/16.6
L564	6200010820	S.COL C2520C-2R7G-A	T	29.2/18.7
L565	6200010740	S.COL C2520C-R27G-A	T	25.6/16.5
L581	6200010680	S.COL C2520C-R22G-A (0.22U)	T	22/19.1
L582	6200010960	S.COL C2520C-R47G-A (0.47U)	T	18.3/17.1
L611	6200010740	S.COL C2520C-R27G-A	T	44/10.8
L612	6200010820	S.COL C2520C-2R7G-A	T	40.3/12.5
L613	6200010820	S.COL C2520C-2R7G-A	T	33.7/10.3
L614	6200010820	S.COL C2520C-2R7G-A	T	27.4/12.4
L615	6200010740	S.COL C2520C-R27G-A	T	23.8/10.7
L631	6200010680	S.COL C2520C-R22G-A (0.22U)	T	20/12.9
L632	6200011450	S.COL C2520C-R39G-A	T	16.3/11
L661	6200010740	S.COL C2520C-R27G-A	T	42.6/4.7
L662	6200010820	S.COL C2520C-2R7G-A	T	39/6.3
L663	6200010820	S.COL C2520C-2R7G-A	T	32.2/4.2
L664	6200010820	S.COL C2520C-2R7G-A	T	25.8/6.5
L665	6200010740	S.COL C2520C-R27G-A	T	21.8/4.7
L681	6200010680	S.COL C2520C-R22G-A (0.22U)	T	18.2/6.7
L682	6200011450	S.COL C2520C-R39G-A	T	14.3/5.2
L1001	6200005011	S.COL NLV25T-100J	T	66.6/81.7
L1002	6200011220	S.COL C2012C-R47J-A	T	67.8/75.9
L1003	6140002810	S.COL LR-317	T	73.1/78.1
L1004	6200010350	S.COL C2012C-R27G-A	T	97.5/25.6

[SCOPE/TV UNIT]

REF NO.	ORDER NO.	DESCRIPTION	M.	H/V LOCATION
L1005	6200010320	S.COL C2012C-R15G-A	T	100.5/25.2
L1006	6200011050	S.COL C2012C-R12G-A	T	104.9/25.8
L1007	6200009920	S.COL C2012C-R10G-A	T	106.6/29.4
L1009	6200010860	S.COL C2520C-R10G-A (0.1U)	T	105.9/34.7
L1010	6200011410	S.COL C2520C-82NG-A	T	105.1/38.1
L1011	6200010720	S.COL C2520C-56NG-A	T	103.4/44.3
L1012	6200010940	S.COL C2520C-39NG-A	T	104.3/46.7
L1051	6200005011	S.COL NLV25T-100J	B	90.8/81.4
L1052	6140003790	COL LR-442	T	
L1053	6200005011	S.COL NLV25T-100J	T	91.3/79.4
L1054	6200007790	S.COL LQW2BHN15J03L	T	99.5/77.9
L1071	6200008090	S.COL LQW2BHN68NJ03L	T	52.8/77.4
L1072	6140002810	S.COL LR-317	T	54.2/81.9
L1081	6200010650	S.COL C2520C-R12G-A (0.12U)	T	77/88
L1082	6200010860	S.COL C2520C-R10G-A (0.1U)	T	82.9/82.3
L1083	6200011410	S.COL C2520C-82NG-A	T	84.3/86
L1084	6200010720	S.COL C2520C-56NG-A	T	91.3/84.2
L1101	6130002961	S.COL #617DB-1327=P3	T	82.5/70.8
L1102	6130002961	S.COL #617DB-1327=P3	T	90.8/66
L1103	6130002961	S.COL #617DB-1327=P3	T	95.4/71.9
L1104	6180002961	S.COL NLV32T-R18J	B	76.3/64.7
L1105	6200001471	S.COL NLV32T-R12J	B	79/70.8
L1201	6180003410	COL SP0406-2R2K-6	T	
L1202	6180003590	COL SP0406-8R2K-6	T	
L1203	6180003510	COL SP0406-6R8K-6	T	
L1204	6150004521	S.COL LS-508-LF	T	119/46.2
L1205	6150004521	S.COL LS-508-LF	T	120.5/33.8
L1301	6200007170	S.COL MLF1608A 3R3K-T	T	74.9/48.4
L1302	6200002651	S.COL NLV25T-R18J	T	78.1/45.6
L1501	6200001981	S.COL NLV25T-1R0J	B	99.2/51.3
L1502	6200002631	S.COL NLV25T-R10J	T	94.3/51.4
L1503	6200002431	S.COL NLV25T-082J	T	90.2/50.6
L1701	6200003171	S.COL NLV32T-330J	T	130/78.9
L1702	6140002810	S.COL LR-317	T	131.4/27.4
L1703	6140002810	S.COL LR-317	T	131.4/40.6
L1901	6200001831	S.COL NLV32T-100J	B	78.1/25.4
L1902	6200011900	S.COL LQH43CN100K03L	B	76.6/29.1
L1903	6200002181	S.COL NLV25T-R12J	T	64.8/44
L1904	6200002641	S.COL NLV25T-R15J	T	68/46.2
L1905	6200002181	S.COL NLV25T-R12J	T	68/52.8
L1906	6200002641	S.COL NLV25T-R15J	T	65.2/59.1
L2101	6200005011	S.COL NLV25T-100J	T	60.9/78.7
L2102	6200011220	S.COL C2012C-R47J-A	T	65.2/72
L2103	6140002810	S.COL LR-317	T	70.8/71.2
L2160	6200010740	S.COL C2520C-R27G-A	T	47.8/71.7
L2161	6200010670	S.COL C2520C-R18G-A (0.18U)	T	47.8/68.6
L2162	6200010860	S.COL C2520C-R10G-A (0.1U)	T	53.2/60
L2163	6200010650	S.COL C2520C-R12G-A (0.12U)	T	47.6/57
L2164	6200010660	S.COL C2520C-R15G-A (0.15U)	T	47.8/65.3
L2181	6200008090	S.COL LQW2BHN68NJ03L	B	48.4/61
L2182	6200009970	S.COL C2012C-R39G-A	T	49.3/53.9
L2201	6130002961	S.COL #617DB-1327=P3	T	63.7/38.7
L2202	6130002961	S.COL #617DB-1327=P3	T	55.4/43.9
L2203	6130002961	S.COL #617DB-1327=P3	T	50.8/38.4
L2301	6200004961	S.COL NLV25T-R33J	T	39/46.2
L2302	6200005041	S.COL NLV25T-220J	T	41.2/55
L2303	6200004961	S.COL NLV25T-R33J	T	40.9/66.1
L2304	6200002611	S.COL NLV25T-R47J	T	41.3/69.5
L2305	6200003261	S.COL NLV32T-101J	T	41.7/51.5
R1	7030003320	S.RES ERJ3GEYJ 101 V (100)	B	60.7/22
R2	7030003520	S.RES ERJ3GEYJ 472 V (4.7 k)	B	62.4/18.7
R3	7030003440	S.RES ERJ3GEYJ 102 V (1 k)	B	60.7/20.2
R4	7030003560	S.RES ERJ3GEYJ 103 V (10 k)	B	57.9/20.2
R5	7030003560	S.RES ERJ3GEYJ 103 V (10 k)	B	61.5/15
R6	7030003800	S.RES ERJ3GEYJ 105 V (1 M)	B	57.1/22.7
R7	7030003320	S.RES ERJ3GEYJ 101 V (100)	B	55.7/16.1
R8	7030003280	S.RES ERJ3GEYJ 470 V (47)	B	62.3/11
R9	7030003400	S.RES ERJ3GEYJ 471 V (470)	B	59/11.6
R10	7030003320	S.RES ERJ3GEYJ 101 V (100)	B	61.5/7.5
R11	7030003480	S.RES ERJ3GEYJ 222 V (2.2 k)	B	65.5/36
R12	7030003460	S.RES ERJ3GEYJ 152 V (1.5 k)	B	63.8/6.8
R13	7030003280	S.RES ERJ3GEYJ 470 V (47)	B	62.3/39
R14	7030003400	S.RES ERJ3GEYJ 471 V (470)	B	61.1/3.5
R20	7030003270	S.RES ERJ3GEYJ 390 V (39)	B	56.6/5
R21	7030003400	S.RES ERJ3GEYJ 471 V (470)	B	54.6/5
R44	7030003400	S.RES ERJ3GEYJ 471 V (470)	T	9.5/10.2
R71	7030003320	S.RES ERJ3GEYJ 101 V (100)	T	10.7/17.9
R101	7030003700	S.RES ERJ3GEYJ 154 V (150 k)	T	8.2/35.3
R102	7030003620	S.RES ERJ3GEYJ 333 V (33 k)	T	8.2/36.6
R104	7030003580	S.RES ERJ3GEYJ 153 V (15 k)	T	8.5/40.6
R105	7030003700	S.RES ERJ3GEYJ 154 V (150 k)	T	5.9/39.8
R106	7030003640	S.RES ERJ3GEYJ 473 V (47 k)	T	7.2/40.6
R107	7030003560	S.RES ERJ3GEYJ 103 V (10 k)	T	17.2/46.8
R108	7030003600	S.RES ERJ3GEYJ 223 V (22 k)	T	17.6/49.1
R109	7030003400	S.RES ERJ3GEYJ 473 V (47 k)	T	14.2/54.4
R110	7030003440	S.RES ERJ3GEYJ 102 V (1 k)	T	4/48
R111	7030003750	S.RES ERJ3GEYJ 394 V (390 k)	T	7.2/43.2
R112	7030003380	S.RES ERJ3GEYJ 331 V (330)	T	2/49.3
R113	7030003300	S.RES ERJ3GEYJ 680 V (68)	T	3.1/40.1
R114	7030003640	S.RES ERJ3GEYJ 473 V (47 k)	T	19.2/51.9
R161	7030003320	S.RES ERJ3GEYJ 101 V (100)	T	136.2/55.1
R303	7030003280	S.RES ERJ3GEYJ 470 V (47)	B	3.9/68.1
R304	7030003420	S.RES ERJ3GEYJ 681 V (680)	T	4.7/68.9
R305	7030003420	S.RES ERJ3GEYJ 681 V (680)	T	

[SCOPE/TV UNIT]

REF NO.	ORDER NO.	DESCRIPTION	M.	H/V LOCATION
R407	7030003320	S.RES ERJ3GEYJ 101 V (100)	T	80.6/11.5
R408	7030003640	S.RES ERJ3GEYJ 473 V (47 k)	T	74.2/16.1
R409	7030003640	S.RES ERJ3GEYJ 473 V (47 k)	T	76.8/16.6
R410	7030003640	S.RES ERJ3GEYJ 473 V (47 k)	T	79.4/16.6
R411	7030003640	S.RES ERJ3GEYJ 473 V (47 k)	T	82/16.6
R412	7030003640	S.RES ERJ3GEYJ 473 V (47 k)	T	84.6/16.6
R413	7030003320	S.RES ERJ3GEYJ 101 V (100)	T	81.9/11.5
R418	7030003320	S.RES ERJ3GEYJ 101 V (100)	T	63.3/14.9
R419	7030003320	S.RES ERJ3GEYJ 101 V (100)	T	63.3/17.5
R420	7030003320	S.RES ERJ3GEYJ 101 V (100)	T	64.1/19.8
R441	7030003860	S.RES ERJ3GE JPW V	T	56.3/11.5
R451	7030003200	S.RES ERJ3GEYJ 100 V (10)	B	98.2/17.9
R501	7030003360	S.RES ERJ3GEYJ 221 V (220)	B	39.8/22.2
R502	7030003320	S.RES ERJ3GEYJ 101 V (100)	B	36.2/21.5
R503	7030003320	S.RES ERJ3GEYJ 101 V (100)	B	33.6/22.3
R504	7030003560	S.RES ERJ3GEYJ 103 V (10 k)	T	45.3/26.9
R551	7030003360	S.RES ERJ3GEYJ 221 V (220)	B	39.5/16.3
R552	7030003320	S.RES ERJ3GEYJ 101 V (100)	B	36.2/15.9
R553	7030003320	S.RES ERJ3GEYJ 101 V (100)	B	32.4/15.9
R554	7030003560	S.RES ERJ3GEYJ 103 V (10 k)	T	49.7/18
R601	7030003360	S.RES ERJ3GEYJ 221 V (220)	B	37.5/10
R602	7030003320	S.RES ERJ3GEYJ 101 V (100)	B	34.2/9.8
R603	7030003320	S.RES ERJ3GEYJ 101 V (100)	B	30.5/9.8
R604	7030003560	S.RES ERJ3GEYJ 103 V (10 k)	T	48.3/8.9
R651	7030003360	S.RES ERJ3GEYJ 221 V (220)	B	36.3/4
R652	7030003320	S.RES ERJ3GEYJ 101 V (100)	B	32.7/4
R653	7030003320	S.RES ERJ3GEYJ 101 V (100)	B	29.3/4
R654	7030003560	S.RES ERJ3GEYJ 103 V (10 k)	T	48.3/5.5
R1001	7030003320	S.RES ERJ3GEYJ 101 V (100)	T	76.5/81.2
R1002	7030003320	S.RES ERJ3GEYJ 101 V (100)	T	63.6/81.3
R1003	7030003350	S.RES ERJ3GEYJ 181 V (180)	B	69.2/78.8
R1004	7030003240	S.RES ERJ3GEYJ 220 V (22)	T	57.9/86.3
R1014	7030003440	S.RES ERJ3GEYJ 102 V (1 k)	B	60.6/82.7
R1015	7030003500	S.RES ERJ3GEYJ 332 V (3.3 k)	B	60.9/86.8
R1016	7030003530	S.RES ERJ3GEYJ 562 V (5.6 k)	B	63.6/84.9
R1017	7030003320	S.RES ERJ3GEYJ 101 V (100)	T	60.6/87.6
R1018	7030003440	S.RES ERJ3GEYJ 102 V (1 k)	T	62.5/85
R1019	7030003440	S.RES ERJ3GEYJ 102 V (1 k)	B	67.6/82.4
R1020	7030003500	S.RES ERJ3GEYJ 332 V (3.3 k)	B	67.9/86.2
R1021	7030003530	S.RES ERJ3GEYJ 562 V (5.6 k)	B	70.6/84.3
R1022	7030003390	S.RES ERJ3GEYJ 391 V (390)	T	67.2/87.6
R1023	7030003440	S.RES ERJ3GEYJ 102 V (1 k)	T	69.1/84.3
R1028	7030003370	S.RES ERJ3GEYJ 271 V (270)	T	85.6/66.2
R1029	7030003230	S.RES ERJ3GEYJ 180 V (18)	T	86.2/64.2
R1032	7030003370	S.RES ERJ3GEYJ 271 V (270)	T	87.6/64.2
R1034	7030003300	S.RES ERJ3GEYJ 680 V (68)	T	63.9/85.1
R1035	7030003290	S.RES ERJ3GEYJ 560 V (56)	T	70.3/84.3
R1051	7030003290	S.RES ERJ3GEYJ 560 V (56)	B	90.8/84.5
R1052	7030003500	S.RES ERJ3GEYJ 332 V (3.3 k)	B	106/84.8
R1053	7030003440	S.RES ERJ3GEYJ 102 V (1 k)	B	107.7/84.8
R1054	7030003860	S.RES ERJ3GE JPW V	T	102.6/81.4
R1056	7030003320	S.RES ERJ3GEYJ 101 V (100)	T	100.8/88.7
R1071	7030003320	S.RES ERJ3GEYJ 101 V (100)	T	58.5/81
R1101	7030003300	S.RES ERJ3GEYJ 680 V (68)	T	87.3/71.5
R1102	7030003300	S.RES ERJ3GEYJ 680 V (68)	T	87.3/69
R1103	7030003320	S.RES ERJ3GEYJ 101 V (100)	T	87.6/67
R1104	7030003320	S.RES ERJ3GEYJ 101 V (100)	T	93.9/66.3
R1105	7030003260	S.RES ERJ3GEYJ 330 V (33)	T	96.5/65.6
R1113	7030003370	S.RES ERJ3GEYJ 271 V (270)	T	107.1/72.5
R1114	7030003230	S.RES ERJ3GEYJ 180 V (18)	T	106.3/74.6
R1115	7030003370	S.RES ERJ3GEYJ 271 V (270)	T	107.1/76.8
R1209	7030003200	S.RES ERJ3GEYJ 100 V (10)	B	117.9/39.7
R1211	7030003480	S.RES ERJ3GEYJ 222 V (2.2 k)	T	123.2/47.8
R1212	7030003200	S.RES ERJ3GEYJ 100 V (10)	B	123.6/38.2
R1213	7030003560	S.RES ERJ3GEYJ 103 V (10 k)	T	118.9/40.5
R1214	7510001671	S.TMR NTCG16 4BH 103JT	T	121.5/38
R1215	7030003370	S.RES ERJ3GEYJ 271 V (270)	T	117.9/29.3
R1216	7030003230	S.RES ERJ3GEYJ 180 V (18)	T	120.5/29.3
R1217	7030003370	S.RES ERJ3GEYJ 271 V (270)	T	120.5/28
R1301	7030003290	S.RES ERJ3GEYJ 560 V (56)	B	77.6/53.8
R1302	7030003460	S.RES ERJ3GEYJ 152 V (1.5 k)	B	76.8/52
R1303	7030003290	S.RES ERJ3GEYJ 560 V (56)	B	78.4/52
R1304	7030003400	S.RES ERJ3GEYJ 471 V (470)	T	76.8/47.8
R1305	7030003400	S.RES ERJ3GEYJ 471 V (470)	T	75.7/46.5
R1310	7030003640	S.RES ERJ3GEYJ 473 V (47 k)	T	79/42.9
R1313	7030003640	S.RES ERJ3GEYJ 473 V (47 k)	T	78.7/51.3
R1314	7030003200	S.RES ERJ3GEYJ 100 V (10)	T	80.6/48.9
R1315	7030003370	S.RES ERJ3GEYJ 271 V (270)	T	78.7/48.6
R1316	7030003440	S.RES ERJ3GEYJ 102 V (1 k)	B	75.8/43.3
R1317	7030003320	S.RES ERJ3GEYJ 101 V (100)	T	86.9/48.8
R1318	7030003450	S.RES ERJ3GEYJ 122 V (1.2 k)	T	84.5/49.6
R1401	7030010250	S.RES ERJ1TYJ 0R00U	B	104.9/55.3
R1421	7030003510	S.RES ERJ3GEYJ 392 V (3.9 k)	T	95.1/47.8
R1422	7030003290	S.RES ERJ3GEYJ 560 V (56)	T	96.6/45.3
R1423	7030003290	S.RES ERJ3GEYJ 560 V (56)	T	96.4/46.6
R1424	7030003290	S.RES ERJ3GEYJ 560 V (56)	T	100.1/39.7
R1425	7030003290	S.RES ERJ3GEYJ 560 V (56)	T	98.8/42.3
R1426	7030003440	S.RES ERJ3GEYJ 102 V (1 k)	T	83.2/27.4
R1427	7030003640	S.RES ERJ3GEYJ 473 V (47 k)	T	84.5/26.3
R1428	7030003440	S.RES ERJ3GEYJ 102 V (1 k)	T	85.8/25.5
R1429	7030003440	S.RES ERJ3GEYJ 102 V (1 k)	T	87.1/26
R1430	7030003440	S.RES ERJ3GEYJ 102 V (1 k)	T	89.5/25.6
R1431	7030003440	S.RES ERJ3GEYJ 102 V (1 k)	T	91.5/24.9
R1432	7030003640	S.RES ERJ3GEYJ 473 V (47 k)	T	93.8/30
R1433	7030003440	S.RES ERJ3GEYJ 102 V (1 k)	T	93.8/27.9
R1435	7030003640	S.RES ERJ3GEYJ 473 V (47 k)	T	90.8/26.9
R1436	7030003640	S.RES ERJ3GEYJ 473 V (47 k)	T	81.9/28.4
R1501	7030003200	S.RES ERJ3GEYJ 100 V (10)	B	103.7/49.9
R1504	7030003860	S.RES ERJ3GE JPW V	T	101.7/37.4
R1505	7030003860	S.RES ERJ3GE JPW V	B	85.2/51.8
R1507	7030003860	S.RES ERJ3GE JPW V	T	98.8/39.7
R1511	7030003370	S.RES ERJ3GEYJ 271 V (270)	T	103.3/50.9
R1512	7030003230	S.RES ERJ3GEYJ 180 V (18)	T	102.2/48.9
R1513	7030003370	S.RES ERJ3GEYJ 271 V (270)	T	101.8/50.8

[SCOPE/TV UNIT]

REF NO.	ORDER NO.	DESCRIPTION	M.	H/V LOCATION
R1601	7310004250	TRI EVN-D2AA03 B25		
R1602	7030003560	S.RES ERJ3GEYJ 103 V (10 k)	B	131/70.3
R1603	7030003200	S.RES ERJ3GEYJ 100 V (10)	T	131/69.7
R1604	7030003560	S.RES ERJ3GEYJ 103 V (10 k)	T	133.3/75.2
R1605	7030003200	S.RES ERJ3GEYJ 100 V (10)	B	139.2/61.6
R1606	7030003440	S.RES ERJ3GEYJ 102 V (1 k)	T	129.3/55
R1608	7030003440	S.RES ERJ3GEYJ 102 V (1 k)	T	134.3/62.4
R1609	7030003440	S.RES ERJ3GEYJ 102 V (1 k)	T	137.4/60.5
R1610	7030003440	S.RES ERJ3GEYJ 102 V (1 k)	T	135.1/64.4
R1611	7030003200	S.RES ERJ3GEYJ 100 V (10)	B	129.8/61.8
R1612	7030003200	S.RES ERJ3GEYJ 100 V (10)	B	138.5/54
R1614	7030003500	S.RES ERJ3GEYJ 332 V (3.3 k)	T	129.9/67.5
R1616	7030003520	S.RES ERJ3GEYJ 472 V (4.7 k)	T	131.8/68.3
R1617	7030003440	S.RES ERJ3GEYJ 102 V (1 k)	T	135.1/65.6
R1702	7030003860	S.RES ERJ3GE JPW V	B	131.4/41.8
R1710	7030003320	S.RES ERJ3GEYJ 101 V (100)	B	133.3/42.6
R1802	7030003860	S.RES ERJ3GE JPW V	T	127.4/19.6
R1804	7030003860	S.RES ERJ3GE JPW V	T	123.4/15.3
R1805	7030003860	S.RES ERJ3GE JPW V	T	125.6/17.3
R1901	7030003370	S.RES ERJ3GEYJ 271 V (270)	T	59.7/44.4
R1902	7030003230	S.RES ERJ3GEYJ 180 V (18)	T	60.5/46.3
R1903	7030003370	S.RES ERJ3GEYJ 271 V (270)	T	61.2/44.1
R1904	7030003320	S.RES ERJ3GEYJ 101 V (100)	T	64.7/50.3
R1905	7030003200	S.RES ERJ3GEYJ 100 V (10)	T	64.8/53.9
R1906	7030003500	S.RES ERJ3GEYJ 332 V (3.3 k)	B	65.5/49.9
R1907	7030003420	S.RES ERJ3GEYJ 681 V (680)	B	67/56.9
R1908	7030003200	S.RES ERJ3GEYJ 150 V (15)	T	68.5/61.5
R1909	7030003310	S.RES ERJ3GEYJ 820 V (82)	T	68.5/62.9
R1910	7030003260	S.RES ERJ3GEYJ 330 V (33)	T	65.9/62.9
R1911	7030003230	S.RES ERJ3GEYJ 180 V (18)	T	65.9/64.3
R1912	7030003230	S.RES ERJ3GEYJ 180 V (18)	T	63.3/62.9
R1913	7030003440	S.RES ERJ3GEYJ 102 V (1 k)	T	68.3/49.7
R2001	7030003340	S.RES ERJ3GEYJ 151 V (150)	T	112.2/31.8
R2002	7030007860	S.RES ERJ3GEYJ 8R2V (8.2)	T	114.1/31
R2003	7030003570	S.RES ERJ3GEYJ 123 V (12 k)	T	114.8/26.5
R2004	7030003360	S.RES ERJ3GEYJ 221 V (220)	T	114.9/24.3
R2005	7030003280	S.RES ERJ3GEYJ 470 V (47)	B	113.5/21.5
R2006	7030003200	S.RES ERJ3GEYJ 100 V (10)	T	116.1/24.3
R2007	7030007860	S.RES ERJ3GEYJ 8R2V (8.2)	T	112.9/33.8
R2008	7030003200	S.RES ERJ3GEYJ 100 V (10)	B	116.8/19.5
R2009	7030003860	S.RES ERJ3GE JPW V	T	120.5/14.8
R2011	7030003440	S.RES ERJ3GEYJ 102 V (1 k)	T	111.6/18.6
R2012	7030003340	S.RES ERJ3GEYJ 151 V (150)	T	117.8/14.8
R2101	7030003320	S.RES ERJ3GEYJ 101 V (100)	B	72.2/72.8
R2102	7030003320	S.RES ERJ3GEYJ 101 V (100)	T	58.5/78
R2103	7030003350	S.RES ERJ3GEYJ 181 V (180)	B	68.5/67.8
R2104	7030003240	S.RES ERJ3GEYJ 220 V (22)	B	66.9/67.8
R2181	7030003480	S.RES ERJ3GEYJ 222 V (2.2 k)	B	47.4/57.2
R2182	7030003440	S.RES ERJ3GEYJ 102 V (1 k)	B	50.1/62.9
R2183	7030003200	S.RES ERJ3GEYJ 100 V (10)	B	52.8/58.3
R2184	7030003320	S.RES ERJ3GEYJ 101 V (100)	B	52.8/60.3
R2185	7030003280	S.RES ERJ3GEYJ 470 V (47)	B	45.6/53
R2186	7030003360	S.RES ERJ3GEYJ 221 V (220)	B	53.3/53.5
R2187	7030003860	S.RES ERJ3GE JPW V	B	54.9/53.5
R2201	7030003300	S.RES ERJ3GEYJ 680 V (68)	T	58.8/37.2
R2202	7030003300	S.RES ERJ3GEYJ 680 V (68)	T	58.8/40.8
R2203	7030003320	S.RES ERJ3GEYJ 101 V (100)	T	58.5/43
R2204	7030003320	S.RES ERJ3GEYJ 101 V (100)	T	52.3/43.5
R2205	7030003260	S.RES ERJ3GEYJ 330 V (33)	T	50.2/43.9
R2206	7030003370	S.RES ERJ3GEYJ 271 V (270)	T	45.3/40
R2207	7030003230	S.RES ERJ3GEYJ 180 V (18)	T	44.5/38.1
R2208	7030003370	S.RES ERJ3GEYJ 271 V (270)	T	43.8/40
R2302	7030003860	S.RES ERJ3GE JPW V	T	37.1/49.2
R2303	7030003320	S.RES ERJ3GEYJ 101 V (100)	T	35.2/49.8
R2304	7030003480	S.RES ERJ3GEYJ 222 V (2.2 k)	T	37.1/56.9
R2305	7030003480	S.RES ERJ3GEYJ 222 V (2.2 k)	T	39/56.3
R2306	7030003290	S.RES ERJ3GEYJ 560 V (56)	T	40.8/56.9
R2307	7030003320	S.RES ERJ3GEYJ 101 V (100)	T	37.1/64.6
R2308	7030003200	S.RES ERJ3GEYJ 100 V (10)	T	39.3/52.0
R2309	7030003370	S.RES ERJ3GEYJ 271 V (270)	T	37.1/69.8
R2310	7030003230	S.RES ERJ3GEYJ 180 V (18)	T	39/70.2
R2311	7030003370	S.RES ERJ3GEYJ 271 V (270)	T	37.1/71.1
C1	4030006900	S.CER C1608 JB 1H 103K-T	B	60.7/24.3
C2	4030006900	S.CER C1608 JB 1H 103K-T	B	62.4/17.1
C3				

[SCOPE/TV UNIT]

REF NO.	ORDER NO.	DESCRIPTION	M.	H/V LOCATION
C204	4030011600	S.CER C1608 JB 1E 104K-T	T	8.4/60.3
C205	4030006900	S.CER C1608 JB 1H 103K-T	T	30.3/69
C206	4030006900	S.CER C1608 JB 1H 103K-T	B	29.7/61.6
C207	4030006900	S.CER C1608 JB 1H 103K-T	B	29.7/59.4
C208	4030006900	S.CER C1608 JB 1H 103K-T	B	29.7/57.7
C295	4030007110	S.CER C1608 CH 1H 680J-T	T	74.9/85.7
C296	4030011340	S.CER C1608 CH 1H 471J-T	B	73.9/84.6
C297	4030007070	S.CER C1608 CH 1H 330J-T	T	73.6/87.9
C298	4030007150	S.CER C1608 CH 1H 151J-T	B	74.4/87.6
C299	4030007110	S.CER C1608 CH 1H 680J-T	T	71.6/88.7
C303	4030018560	S.CER C2012 JB 1A 475K-T	T	2.1/67.9
C305	4550007410	S.TAN F931A157MNMBA	T	9.2/76.1
C401	4030006900	S.CER C1608 JB 1H 103K-T	T	65.1/16.1
C402	4030006900	S.CER C1608 JB 1H 103K-T	T	66.4/16.1
C403	4030006900	S.CER C1608 JB 1H 103K-T	T	67.7/16.1
C404	4030006900	S.CER C1608 JB 1H 103K-T	T	69/16.1
C405	4030006900	S.CER C1608 JB 1H 103K-T	T	70.3/16.1
C406	4030006900	S.CER C1608 JB 1H 103K-T	T	71.6/16.1
C407	4030007050	S.CER C1608 CH 1H 220J-T	T	72.9/16.1
C408	4030007050	S.CER C1608 CH 1H 220J-T	T	75.5/16.6
C409	4030007050	S.CER C1608 CH 1H 220J-T	T	78.1/16.6
C410	4030007050	S.CER C1608 CH 1H 220J-T	T	80.7/16.6
C411	4030007050	S.CER C1608 CH 1H 220J-T	T	83.3/16.6
C412	4030007050	S.CER C1608 CH 1H 220J-T	T	85.9/16.6
C413	4030007050	S.CER C1608 CH 1H 220J-T	T	87.2/16.6
C422	4030011600	S.CER C1608 JB 1E 104K-T	T	56.3/12.7
C451	4030011600	S.CER C1608 JB 1E 104K-T	T	95.9/21.3
C501	4030011600	S.CER C1608 JB 1E 104K-T	B	45.4/20.7
C502	4030011600	S.CER C1608 JB 1E 104K-T	B	35.1/23.8
C511	4030011600	S.CER C1608 JB 1E 104K-T	T	43.5/22.1
C512	4030007130	S.CER C1608 CH 1H 101J-T	B	44.1/23.7
C513	4030007130	S.CER C1608 CH 1H 101J-T	B	42.6/23.7
C514	4030010760	S.CER C1608 CH 1H 331J-T	B	41.1/23.7
C515	4030007030	S.CER C1608 CH 1H 150J-T	T	42.1/22.1
C516	4030007050	S.CER C1608 CH 1H 220J-T	T	40.8/22.1
C517	4030011770	S.CER C1608 CH 1H 060B-T	T	38.6/25.8
C518	4030009560	S.CER C1608 CH 1H R75B-T	T	38.6/24.4
C519	4030007010	S.CER C1608 CH 1H 100D-T	T	39.2/22.3
C520	4030007050	S.CER C1608 CH 1H 220J-T	T	37.9/22.3
C521	4030011770	S.CER C1608 CH 1H 060B-T	T	33/25.5
C522	4030009560	S.CER C1608 CH 1H R75B-T	T	33/24.2
C523	4030007030	S.CER C1608 CH 1H 150J-T	T	32.2/22.2
C524	4030007050	S.CER C1608 CH 1H 220J-T	T	30.8/22.2
C525	4030010760	S.CER C1608 CH 1H 331J-T	B	31/23
C526	4030007130	S.CER C1608 CH 1H 101J-T	B	29.3/23.1
C527	4030007130	S.CER C1608 CH 1H 101J-T	B	27.6/23.1
C528	4030011600	S.CER C1608 JB 1E 104K-T	T	28.5/21.7
C531	4030007160	S.CER C1608 CH 1H 181J-T	T	23.6/22.5
C532	4030011330	S.CER C1608 CH 1H 391J-T	B	21.9/24
C534	4030010760	S.CER C1608 CH 1H 331J-T	T	21.5/22.9
C536	4030007130	S.CER C1608 CH 1H 101J-T	B	18.5/21.6
C538	4030011280	S.CER C1608 CH 1H 271J-T	T	16.3/21.3
C551	4030011600	S.CER C1608 JB 1E 104K-T	B	45.6/14.8
C552	4030011600	S.CER C1608 JB 1E 104K-T	B	33.9/17.4
C561	4030011600	S.CER C1608 JB 1E 104K-T	T	43.1/16
C562	4030007050	S.CER C1608 CH 1H 220J-T	B	43.8/17.8
C563	4030011340	S.CER C1608 CH 1H 471J-T	B	42.4/17.8
C565	4030007040	S.CER C1608 CH 1H 180J-T	T	41.6/16
C566	4030007050	S.CER C1608 CH 1H 220J-T	T	40.4/16
C568	4030007000	S.CER C1608 CH 1H 090D-T	T	38.3/18.3
C569	4030007020	S.CER C1608 CH 1H 120J-T	T	38.8/16.1
C570	4030007050	S.CER C1608 CH 1H 220J-T	T	37.6/16.1
C572	4030007000	S.CER C1608 CH 1H 090D-T	T	32.6/18
C573	4030007040	S.CER C1608 CH 1H 180J-T	T	31.9/15.9
C574	4030007050	S.CER C1608 CH 1H 220J-T	T	30.5/15.9
C576	4030011340	S.CER C1608 CH 1H 471J-T	B	28.8/16.6
C577	4030007050	S.CER C1608 CH 1H 220J-T	B	27.3/16.6
C578	4030011600	S.CER C1608 JB 1E 104K-T	T	28.4/15.1
C581	4030007160	S.CER C1608 CH 1H 181J-T	T	23.4/16
C582	4030007140	S.CER C1608 CH 1H 121J-T	B	21.7/17.5
C583	4030007170	S.CER C1608 CH 1H 221J-T	B	21.7/16
C584	4030010760	S.CER C1608 CH 1H 331J-T	T	20.6/16
C586	4030007050	S.CER C1608 CH 1H 220J-T	B	18.2/15.8
C587	4030007110	S.CER C1608 CH 1H 680J-T	B	18.2/14.4
C588	4030011280	S.CER C1608 CH 1H 271J-T	T	16.7/15.6
C601	4030011600	S.CER C1608 JB 1E 104K-T	B	45.4/10
C602	4030011600	S.CER C1608 JB 1E 104K-T	B	32/11.3
C611	4030011600	S.CER C1608 JB 1E 104K-T	T	41.7/9.7
C612	4030007110	S.CER C1608 CH 1H 680J-T	B	41.7/11.5
C613	4030011330	S.CER C1608 CH 1H 391J-T	B	40.3/11.5
C615	4030009920	S.CER C1608 CH 1H 050B-T	T	40.1/9.7
C616	4030007070	S.CER C1608 CH 1H 330J-T	T	38.8/9.7
C618	4030007000	S.CER C1608 CH 1H 090D-T	T	36.7/11.8
C619	4030007010	S.CER C1608 CH 1H 100D-T	T	37.3/9.7
C620	4030007050	S.CER C1608 CH 1H 220J-T	T	36/9.7
C622	4030007000	S.CER C1608 CH 1H 090D-T	T	30.9/11.6
C623	4030009920	S.CER C1608 CH 1H 050B-T	T	30.1/9.6
C624	4030007070	S.CER C1608 CH 1H 330J-T	T	28.8/9.6
C626	4030011330	S.CER C1608 CH 1H 391J-T	B	26.9/10.6
C627	4030007110	S.CER C1608 CH 1H 680J-T	B	25.5/10.6
C628	4030011600	S.CER C1608 JB 1E 104K-T	T	26.5/9.3
C631	4030007150	S.CER C1608 CH 1H 151J-T	T	21.3/9.8
C632	4030007130	S.CER C1608 CH 1H 101J-T	B	19.7/11.3
C633	4030007170	S.CER C1608 CH 1H 221J-T	B	19.7/9.9
C634	4030007140	S.CER C1608 CH 1H 121J-T	T	19.8/9.9
C635	4030007160	S.CER C1608 CH 1H 181J-T	T	18.6/9.9
C636	4030007130	S.CER C1608 CH 1H 101J-T	B	15.9/9.6
C638	4030011280	S.CER C1608 CH 1H 271J-T	T	13.9/9.1
C651	4030011600	S.CER C1608 JB 1E 104K-T	B	44.2/4
C652	4030011600	S.CER C1608 JB 1E 104K-T	B	30.8/5.6
C661	4030011600	S.CER C1608 JB 1E 104K-T	T	40.4/3.5
C662	4030007080	S.CER C1608 CH 1H 390J-T	B	40.7/5.5
C663	4030011330	S.CER C1608 CH 1H 391J-T	T	39.3/5.5
C665	4030009550	S.CER C1608 CH 1H 2R5B-T	B	37.5/3.6

[SCOPE/TV UNIT]

REF NO.	ORDER NO.	DESCRIPTION	M.	H/V LOCATION
C666	4030007070	S.CER C1608 CH 1H 330J-T	T	38.9/3.6
C667	4030006980	S.CER C1608 CH 1H 070D-T	T	35.2/7
C668	4030009570	S.CER C1608 CH 1H 0R3B-T	T	35.2/7.0
C669	4030009350	S.CER C1608 CH 1H 3R5B-T	T	34.5/3.7
C670	4030007060	S.CER C1608 CH 1H 270J-T	T	35.8/3.7
C671	4030006980	S.CER C1608 CH 1H 070D-T	T	29.3/6.9
C672	4030009570	S.CER C1608 CH 1H 0R3B-T	T	29.3/5.5
C673	4030009550	S.CER C1608 CH 1H 2R5B-T	T	27.1/3.6
C674	4030007070	S.CER C1608 CH 1H 330J-T	T	28.6/3.6
C676	4030011330	S.CER C1608 CH 1H 391J-T	B	25.4/4.8
C677	4030007080	S.CER C1608 CH 1H 390J-T	B	23.9/4.8
C678	4030011600	S.CER C1608 JB 1E 104K-T	T	24.8/3.4
C681	4030007150	S.CER C1608 CH 1H 151J-T	T	19.5/3.8
C682	4030007070	S.CER C1608 CH 1H 330J-T	B	18.1/4.8
C683	4030011280	S.CER C1608 CH 1H 271J-T	B	18.1/3.4
C684	4030007110	S.CER C1608 CH 1H 680J-T	T	18/3.7
C685	4030007170	S.CER C1608 CH 1H 221J-T	T	16.7/3.7
C686	4030007030	S.CER C1608 CH 1H 150J-T	B	14.5/3.9
C687	4030007120	S.CER C1608 CH 1H 820J-T	B	14.5/2.6
C688	4030007170	S.CER C1608 CH 1H 221J-T	T	11.8/4.2
C1001	4030006900	S.CER C1608 JB 1H 103K-T	T	60.8/81.3
C1002	4030007000	S.CER C1608 CH 1H 090D-T	T	67.7/78.6
C1003	4030011600	S.CER C1608 JB 1E 104K-T	T	68.9/79.9
C1004	4030006900	S.CER C1608 JB 1H 103K-T	B	71/78.8
C1012	4030006860	S.CER C1608 JB 1H 102K-T	B	60.9/88.2
C1013	4030006860	S.CER C1608 JB 1H 102K-T	T	61.2/84.4
C1014	4030006860	S.CER C1608 JB 1H 102K-T	B	67.9/87.5
C1015	4030006860	S.CER C1608 JB 1H 102K-T	T	67.9/84.3
C1016	4030006900	S.CER C1608 JB 1H 103K-T	T	60.6/86.3
C1017	4030006900	S.CER C1608 JB 1H 103K-T	T	60.6/88.9
C1018	4030006900	S.CER C1608 JB 1H 103K-T	T	65.1/85.1
C1019	4030006900	S.CER C1608 JB 1H 103K-T	T	66/87.6
C1020	4030006900	S.CER C1608 JB 1H 103K-T	T	69/88.7
C1021	4030006900	S.CER C1608 JB 1H 103K-T	T	71.5/84.3
C1023	4030007060	S.CER C1608 CH 1H 270J-T	T	102.4/28.4
C1024	4030007000	S.CER C1608 CH 1H 090D-T	T	103.6/28.4
C1025	4030007120	S.CER C1608 CH 1H 820J-T	T	104.9/28.4
C1026	4030007050	S.CER C1608 CH 1H 220J-T	T	102.4/31.2
C1027	4030007150	S.CER C1608 CH 1H 151J-T	T	103.6/31.2
C1028	4030007060	S.CER C1608 CH 1H 270J-T	T	103.2/33.3
C1029	4030007080	S.CER C1608 CH 1H 390J-T	T	106.7/32
C1030	4030007150	S.CER C1608 CH 1H 151J-T	T	104.8/31.2
C1032	4030009920	S.CER C1608 CH 1H 050B-T	T	103.7/35.3
C1033	4030007110	S.CER C1608 CH 1H 680J-T	T	106.7/40.4
C1034	4030007040	S.CER C1608 CH 1H 180J-T	T	104.1/40.4
C1035	4030007100	S.CER C1608 CH 1H 560J-T	T	106.4/41.7
C1036	4030007070	S.CER C1608 CH 1H 330J-T	T	105.6/43.6
C1037	4030007100	S.CER C1608 CH 1H 560J-T	T	107/47.4
C1038	4030007100	S.CER C1608 CH 1H 560J-T	T	104.9/48.9
C1039	4030007060	S.CER C1608 CH 1H 270J-T	T	105.2/50.1
C1041	4030007100	S.CER C1608 CH 1H 560J-T	T	99.8/29.5
C1042	4030007060	S.CER C1608 CH 1H 270J-T	T	97.8/27.6
C1043	4030007070	S.CER C1608 CH 1H 330J-T	T	100.5/27.6
C1044	4030007090	S.CER C1608 CH 1H 470J-T	T	102.4/25.7
C1051	4030006900	S.CER C1608 JB 1H 103K-T	B	89.3/86
C1052	4030011600	S.CER C1608 JB 1E 104K-T	T	106.5/84.7
C1053	4030011600	S.CER C1608 JB 1E 104K-T	T	94.4/78.6
C1054	4030006900	S.CER C1608 JB 1H 103K-T	T	96.7/78.6
C1055	4030009920	S.CER C1608 CH 1H 050B-T	T	103.4/88.7
C1071	4030007030	S.CER C1608 CH 1H 150J-T	T	48.9/78.2
C1072	4030007080	S.CER C1608 CH 1H 390J-T	T	50.2/78.2
C1081	4030007100	S.CER C1608 CH 1H 560J-T	T	74.5/83.8
C1082	4030007030	S.CER C1608 CH 1H 150J-T	T	75.7/83.8
C1083	4030009560	S.CER C1608 CH 1H R75B-T	T	77.6/85.7
C1084	4030009920	S.CER C1608 CH 1H 050B-T	T	77.6/84.5
C1085	4030007110	S.CER C1608 CH 1H 680J-T	T	79.9/83.3
C1086	4030007060	S.CER C1608 CH 1H 270J-T	T	79.9/82.1
C1087	4030007000	S.CER C1608 CH 1H 090D-T	T	79.5/85.3
C1088	4030007010	S.CER C1608 CH 1H 100D-T	T	80.7/85.3
C1089	4030007110	S.CER C1608 CH 1H 680J-T	T	85.2/80.5
C1090	4030007010	S.CER C1608 CH 1H 100D-T	T	86.4/80.5
C1091	4030009550			

[SCOPE/TV UNIT]

REF NO.	ORDER NO.	DESCRIPTION	M.	H/V LOCATION
C1313	4030011600	S.CER C1608 JB 1E 104K-T	T	77.6/41.7
C1314	4030011600	S.CER C1608 JB 1E 104K-T	T	76.5/40.4
C1315	4030011600	S.CER C1608 JB 1E 104K-T	B	79.7/50.1
C1316	4550006050	S.TAN TEESVA OJ 106M8R	B	78.6/46.2
C1422	4030011600	S.CER C1608 JB 1E 104K-T	T	90.8/48
C1423	4030006900	S.CER C1608 JB 1H 103K-T	T	93.1/46.2
C1424	4030011600	S.CER C1608 JB 1E 104K-T	T	94.3/45.9
C1425	4030011600	S.CER C1608 JB 1E 104K-T	T	80.2/30.5
C1426	4030011600	S.CER C1608 JB 1E 104K-T	T	95.9/42.8
C1427	4030011600	S.CER C1608 JB 1E 104K-T	T	97.2/41.5
C1428	4030011600	S.CER C1608 JB 1E 104K-T	T	97.9/33.7
C1429	4030011600	S.CER C1608 JB 1E 104K-T	T	95.5/31.6
C1430	4030011600	S.CER C1608 JB 1E 104K-T	T	92.1/28.2
C1501	4030006900	S.CER C1608 JB 1H 103K-T	T	100.7/47.7
C1502	4030006900	S.CER C1608 JB 1H 103K-T	T	99.3/51.9
C1503	4030006900	S.CER C1608 JB 1H 103K-T	T	95.7/49.5
C1504	4030007070	S.CER C1608 CH 1H 330J-T	T	96.6/51.5
C1505	4030006960	S.CER C1608 CH 1H 050C-T	T	92.8/49.5
C1506	4030007100	S.CER C1608 CH 1H 560J-T	T	92.1/51.5
C1507	4030007020	S.CER C1608 CH 1H 120J-T	T	88.3/51.3
C1508	4030007060	S.CER C1608 CH 1H 270J-T	T	85.4/51.8
C1602	4030009510	S.CER C1608 CH 1H 010B-T	T	136.4/75.2
C1603	4030011600	S.CER C1608 JB 1E 104K-T	T	131.8/72.6
C1604	4030011600	S.CER C1608 JB 1E 104K-T	T	138.7/66.8
C1605	4030007080	S.CER C1608 CH 1H 390J-T	T	130.8/51.5
C1606	4030019130	S.CER C2012 CH 1H 562JT-NS	T	138.9/58.7
C1607	4030018620	S.CER C1608 CH 1H 222J-T	T	137.4/57.9
C1609	4030007130	S.CER C1608 CH 1H 101J-T	T	132.3/62.9
C1610	4030007110	S.CER C1608 CH 1H 680J-T	T	132.3/61.7
C1611	4030018630	S.CER C2012 CH 1H 472J-T	T	135.8/62.2
C1612	4030011600	S.CER C1608 JB 1E 104K-T	B	130.6/59
C1613	4030011600	S.CER C1608 JB 1E 104K-T	B	135.9/51.5
C1615	4030018590	S.CER C1608 CH 1H 122J-T	T	137.4/63.6
C1616	4030018580	S.CER C1608 CH 1H 821J-T	T	132.4/64.4
C1617	4030018610	S.CER C1608 CH 1H 182J-T	T	132.4/65.6
C1618	4030018960	S.CER C3216 JB 1C 106MT-N	B	133.4/73.3
C1619	4030018960	S.CER C3216 JB 1C 106MT-N	B	135.6/62.3
C1620	4030018960	S.CER C3216 JB 1C 106MT-N	B	131.4/57.3
C1621	4030018960	S.CER C3216 JB 1C 106MT-N	B	137.7/50.7
C1701	4030011600	S.CER C1608 JB 1E 104K-T	T	131.4/76
C1702	4030018620	S.CER C1608 CH 1H 222J-T	T	130.2/76
C1703	4030018640	S.CER C2012 CH 1H 103J-T	T	128.6/75.7
C1901	4550006050	S.TAN TEESVA OJ 106M8R	B	81.9/28.7
C1902	4550006050	S.TAN TEESVA OJ 106M8R	T	75.8/34
C1903	4030007110	S.CER C1608 CH 1H 680J-T	T	62.5/45.5
C1904	4030007050	S.CER C1608 CH 1H 220J-T	T	64.5/45.9
C1905	4030007140	S.CER C1608 CH 1H 121J-T	T	67.3/42.4
C1906	4030006980	S.CER C1608 CH 1H 070D-T	T	68/44.3
C1907	4030007120	S.CER C1608 CH 1H 820J-T	T	68.6/42.4
C1908	4030006900	S.CER C1608 JB 1H 103K-T	T	64.7/51.5
C1909	4030007070	S.CER C1608 CH 1H 330J-T	T	70.9/50.9
C1910	4030007100	S.CER C1608 CH 1H 560J-T	T	68.3/50.9
C1911	4030006900	S.CER C1608 JB 1H 103K-T	T	64.8/55.1
C1912	4030006900	S.CER C1608 JB 1H 103K-T	T	68.5/60.1
C2001	4030006900	S.CER C1608 JB 1H 103K-T	T	114.1/28.4
C2002	4030011600	S.CER C1608 JB 1E 104K-T	T	112/23.5
C2003	4550006250	S.TAN TEESVA 1A 106M8R	T	119.3/19.1
C2004	4030011600	S.CER C1608 JB 1E 104K-T	T	117.6/18.3
C2005	4550006250	S.TAN TEESVA 1A 106M8R	T	112.2/21.6
C2006	4030011600	S.CER C1608 JB 1E 104K-T	B	114.5/17.9
C2012	4030006900	S.CER C1608 JB 1H 103K-T	T	115/14.8
C2101	4030006900	S.CER C1608 JB 1H 103K-T	T	56.9/77.9
C2102	4030007000	S.CER C1608 CH 1H 090D-T	T	64.3/75
C2103	4030011600	S.CER C1608 JB 1E 104K-T	T	67.3/74.1
C2104	4030006900	S.CER C1608 JB 1H 103K-T	B	68.5/70.5
C2160	4030007110	S.CER C1608 CH 1H 680J-T	T	52.3/71
C2161	4030007090	S.CER C1608 CH 1H 470J-T	T	50.8/71
C2162	4030007080	S.CER C1608 CH 1H 390J-T	T	52.3/67.8
C2163	4030007130	S.CER C1608 CH 1H 101J-T	T	50.8/67.8
C2164	4030007060	S.CER C1608 CH 1H 270J-T	T	53.8/66.3
C2165	4030007080	S.CER C1608 CH 1H 390J-T	T	51.5/62.8
C2166	4030007050	S.CER C1608 CH 1H 220J-T	T	50.9/60
C2167	4030007120	S.CER C1608 CH 1H 820J-T	T	49.6/61.6
C2168	4030007000	S.CER C1608 CH 1H 090D-T	T	48.8/59.3
C2169	4030007100	S.CER C1608 CH 1H 560J-T	T	48.3/61.6
C2170	4030010760	S.CER C1608 CH 1H 331J-T	T	50.8/64.8
C2171	4030007080	S.CER C1608 CH 1H 390J-T	T	52.3/64.8
C2181	4030006900	S.CER C1608 JB 1H 103K-T	T	46.4/61.6
C2182	4030011600	S.CER C1608 JB 1E 104K-T	B	55.1/59
C2183	4030011600	S.CER C1608 JB 1E 104K-T	B	44.7/55.1
C2184	4030007040	S.CER C1608 CH 1H 180J-T	B	52.5/56
C2201	4030006900	S.CER C1608 JB 1H 103K-T	T	68.6/37.2
C2202	4030006900	S.CER C1608 JB 1H 103K-T	T	68.5/40.2
C2203	4030006900	S.CER C1608 JB 1H 103K-T	T	58.8/38.4
C2204	4030006900	S.CER C1608 JB 1H 103K-T	T	58.8/39.6
C2205	4030006900	S.CER C1608 JB 1H 103K-T	T	50.3/41.5
C2206	4030006860	S.CER C1608 JB 1H 102K-T	T	50.3/42.7
C2207	4030006900	S.CER C1608 JB 1H 103K-T	T	46/36.9
C2208	4030006900	S.CER C1608 JB 1H 103K-T	T	46.8/40.6
C2301	4030007170	S.CER C1608 CH 1H 221J-T	T	35.2/45.9
C2302	4030007130	S.CER C1608 CH 1H 101J-T	T	37.1/46.6
C2303	4030007170	S.CER C1608 CH 1H 221J-T	T	35.2/47.2
C2304	4030011600	S.CER C1608 JB 1E 104K-T	T	37.1/55.6
C2305	4030011600	S.CER C1608 JB 1E 104K-T	T	37.1/51.9
C2306	4030011600	S.CER C1608 JB 1E 104K-T	T	37.1/63.3
C2307	4030011600	S.CER C1608 JB 1E 104K-T	T	42.4/60.8
C2308	4030007170	S.CER C1608 CH 1H 221J-T	T	37.1/65.9
C2309	4030007140	S.CER C1608 CH 1H 121J-T	T	42.8/66
C2310	4030010760	S.CER C1608 CH 1H 331J-T	T	37.1/67.2
C2311	4030007090	S.CER C1608 CH 1H 470J-T	T	39/67.6
C2312	4030011280	S.CER C1608 CH 1H 271J-T	T	37.1/68.5
C2313	4030018560	S.CER C2012 JB 1A 475K-T	T	37/54
C2314	4030018560	S.CER C2012 JB 1A 475K-T	T	39.2/49.7
C2315	4510008500	S.ELE EEE1CA101WP	T	33.6/84.5

[SCOPE/TV UNIT]

REF NO.	ORDER NO.	DESCRIPTION	M.	H/V LOCATION
J301	6510018961	S.CNR B2B-PH-SM4-TB (LF) (SN)	T	22.1/86.5
J401	6510020081	S.CNR 52808-2071 (2090)	T	71/5.5
J1001	6510007020	CNR TMP-J01X-V6		
J1301	6510007020	CNR TMP-J01X-V6		
J1601	6510018961	S.CNR B2B-PH-SM4-TB (LF) (SN)	T	138.4/49.5
J2001	6510007020	CNR TMP-J01X-V6		
J2301	6510007020	CNR TMP-J01X-V6		
EP401	6910015970	S.BEA MMZ1608B 301CT-AS	T	65.1/11.5
EP402	6910015970	S.BEA MMZ1608B 301CT-AS	T	66.4/11.5
EP403	6910015970	S.BEA MMZ1608B 301CT-AS	T	67.7/11.5
EP404	6910015970	S.BEA MMZ1608B 301CT-AS	T	69/11.5
EP405	6910014730	S.BEA MPZ2012S331A-T	T	72.5/11.8
EP1101	6910015970	S.BEA MMZ1608B 301CT-AS	T	98.8/64.7
EP1301	6910015970	S.BEA MMZ1608B 301CT-AS	T	81.4/47
EP1501	6910015970	S.BEA MMZ1608B 301CT-AS	B	106.7/49.9
EP2001	6910015970	S.BEA MMZ1608B 301CT-AS	B	114.5/19.4
EP2002	6910015970	S.BEA MMZ1608B 301CT-AS	B	116/21.4
EP2201	6910015970	S.BEA MMZ1608B 301CT-AS	T	46.8/43.9

M.=Mounted side (T: Mounted on the Top side B: Mounted on the Bottom side)
S.=Surface mount

[OSC UNIT]

REF NO.	ORDER NO.	DESCRIPTION	M.	H/V LOCATION
IC10	1180002610	S.REG BA12FP-E2	T	37.8/20
IC91	1190002001	S.IC AD5260BRUZ50	T	26.8/12
IC92	1130005721	S.IC TC7W04F (TE12L,F)	T	23.7/6.1
Q10	1590003940	S.TR RN1105 (TE85L,F)	T	32.2/35.1
Q11	1590003940	S.TR RN1105 (TE85L,F)	T	22.1/42.4
Q12	1590003940	S.TR RN1105 (TE85L,F)	T	29.1/41.5
Q13	1590003940	S.TR RN1105 (TE85L,F)	T	31.6/41.5
Q21	1530002060	S.TR 2SC4081 T106 R	T	11.3/6.3
Q22	1530002601	S.TR 2SC4215-O (TE85R,F)	T	10.4/17.8
Q23	1590003940	S.TR RN1105 (TE85L,F)	T	13/11
Q42	1530002601	S.TR 2SC4215-O (TE85R,F)	T	18.8/18.8
Q43	1590003940	S.TR RN1105 (TE85L,F)	T	19.6/11.7
Q61	1530002060	S.TR 2SC4081 T106 R	T	26.1/36.1
Q62	1530002060	S.TR 2SC4081 T106 R	T	20.6/38.6
Q70	1530002060	S.TR 2SC4081 T106 R	T	9.9/41.2
Q101	1530002700	S.TR 2SC4097 T106Q	T	36.7/40
D10	1790001250	S.DIO MA2S1110G-(TX)	T	31.4/31.7
D11	1790001250	S.DIO MA2S1110G-(TX)	T	16.5/38.2
D71	1750000381	S.DIO 1SS312 (TE85L,F)	T	29.8/34.9
D72	1750000381	S.DIO 1SS312 (TE85L,F)	T	29.9/37.6
X1	6050012210	XTL CR-772.OCVXO-148A		
L20	6200005491	S.COL NLV32T-331J	T	14.7/1.9
L21	6200003261	S.COL NLV32T-101J	T	6.9/11.2
L22	6200003261	S.COL NLV32T-101J	T	7.9/14.7
L23	6200003041	S.COL NLV32T-F68J	T	6.9/20.3
L24	6200003051	S.COL NLV32T-F82J	T	6.2/23.8
L41	6200003261	S.COL NLV32T-101J	T	15.3/13.7
L42	6200003261	S.COL NLV32T-101J	T	14.7/17.2
L43	6200003041	S.COL NLV32T-F68J	T	15.3/22.4
L44	6200003051	S.COL NLV32T-F82J	T	18.8/24.2
L61	6150004170	COL LS-476		
L62	6150004170	COL LS-476		
R1	7030003440	S.RES ERJ3GEYJ 102 V (1 k)	T	32.4/44.3
R2	7030003440	S.RES ERJ3GEYJ 102 V (1 k)	T	29.8/44.2
R3	7030003440	S.RES ERJ3GEYJ 102 V (1 k)	T	25.8/44.2
R11	7030003200	S.RES ERJ3GEYJ 100 V (10)	T	33.3/32.3
R12	7030003200	S.RES ERJ3GEYJ 100 V (10)	T	16.7/40.3
R13	7030003440	S.RES ERJ3GEYJ 102 V (1 k)	T	16.8/11.6
R20	7030003240	S.RES ERJ3GEYJ 220 V (22)	T	11.3/1.8
R21	7030003560	S.RES ERJ3GEYJ 103 V (10 k)	T	11.1/4.4
R22	7030003370	S.RES ERJ3GEYJ 271 V (270)	T	15.5/7.9
R23	7030004040	S.RES ERJ3GEYJ 4R7 V (4.7)	T	11.4/14
R24	7030003370	S.RES ERJ3GEYJ 271 V (270)	T	12.3/17.7
R25	7030003500	S.RES ERJ3GEYJ 332 V (3.3 k)	T	10.1/14.2
R26	7030003480	S.RES ERJ3GEYJ 222 V (2.2 k)	T	12.8/9.1
R27	7030003360	S.RES ERJ3GEYJ 221 V (220)	T	5.8/13.9
R28	7030003440	S.RES ERJ3GEYJ 102 V (1 k)	T	10.2/11.9
R43	7030003240	S.RES ERJ3GEYJ 220 V (22)	T	19.7/14.2
R44	7030003370	S.RES ERJ3GEYJ 271 V (270)	T	20.7/18.6
R45	7030003500	S.RES ERJ3GEYJ 332 V (3.3 k)	T	17.9/15.1
R46	7030003480	S.RES ERJ3GEYJ 222 V (2.2 k)	T	19.4/9.8
R47	7030003290	S.RES ERJ3GEYJ 560 V (56)	T	16.8/17.9
R61	7030003240	S.RES ERJ3GEYJ 220 V (22)	T	22.2/35.4
R62	7030003560	S.RES ERJ3GEYJ 103 V (10 k)	T	26.3/34.2
R63	7030003380	S.RES ERJ3GEYJ 331 V (330)	T	25.9/38
R64	7030003280	S.RES ERJ3GEYJ 470 V (47)	T	20.8/40.5
R65	7030003400	S.RES ERJ3GEYJ 471 V (470)	T	20/34.8
R67	7030003560	S.RES ERJ3GEYJ 103 V (10 k)	T	19.6/36.7
R68	7030003550	S.RES ERJ3GEYJ 822 V (8.2 k)	T	22.2/36.7
R71	7030003340	S.RES ERJ3GEYJ 151 V (150)	T	32.6/38.2
R72	7030003270	S.RES ERJ3GEYJ 390 V (39)	T	31.2/39.5
R73	7030003340	S.RES ERJ3GEYJ 151 V (150)	T	28.6/39.5
R75	7030003280	S.RES ERJ3GEYJ 470 V (47)	T	16.2/43.1
R77	7030003320	S.RES ERJ3GEYJ 101 V (100)	T	12.5/44.6
R78	7030003470	S.RES ERJ3GEYJ 182 V (1.8 k)	T	8/41
R79	7030003480	S.RES ERJ3GEYJ 222 V (2.2 k)	T	6.1/41.6
R80	7030003360	S.RES ERJ3GEYJ 221 V (220)	T	11.8/41
R82	7030003280	S.RES ERJ3GEYJ 470 V (47)	T	17.5/43.1
R91	7030006091	S.RES ERA3YED 822V (8.2 k)	T	19.5/7.1
R92	7030005341	S.RES ERA3YED 332V (3.3 k)	T	19.5/8.4
R93	7030003560	S.RES ERJ3GEYJ 103 V (10 k)	T	25.6/1.4
R94	7030003540	S.RES ERJ3GEYJ 682 V (6.8 k)	T	25.6/2.7
R95	7030003320	S.RES ERJ3GEYJ 101 V (100)	T	22.4/16.7
R96	7030003440	S.RES ERJ3GEYJ 102 V (1 k)	T	32/14.1
R97	7030003440	S.RES ERJ3GEYJ 102 V (1 k)	T	28.6/16.1
R98	7030003640	S.RES ERJ3GEYJ 473 V (47 k)	T	27.3/16.1
R99	7030003480	S.RES ERJ3GEYJ 222 V (2.2 k)	T	22.4/10.1
R100	7030003640	S.RES ERJ3GEYJ 473 V (47 k)	T	27.2/6.4
R101	7030003360	S.RES ERJ3GEYJ 221 V (220)	T	36.9/38.1
R102	7030005981	S.RES ERA3YED 333V (33 k)	T	32.4/6.7
C1	4030006880	S.CER C1608 JB 1H 472K-T	T	39.6/47.6
C2	4030006880	S.CER C1608 JB 1H 472K-T	T	31.1/44.3
C3	4030006880	S.CER C1608 JB 1H 472K-T	T	33.7/44
C4	4030006880	S.CER C1608 JB 1H 472K-T	T	30.5/8.6
C5	4510008550	S.ELE EEE1H0SR	T	30.6/2.6
C6	4030006880	S.CER C1608 JB 1H 472K-T	T	35/3.4
C7	4510008550	S.ELE EEE1H0SR	T	38.7/2.6
C8	4030011600	S.CER C1608 JB 1E 104K-T	T	17.3/2.1
C9	4030006880	S.CER C1608 JB 1H 472K-T	T	27.1/43.1
C10	4510008680	S.ELE EEE1EA220SP	T	29.7/21.3
C11	4030004760	S.CER C2012 JF 1H 104Z-T	T	35.9/13
C12	4030006880	S.CER C1608 JB 1H 472K-T	T	39.2/12.8

[OSC UNIT]

REF NO.	ORDER NO.	DESCRIPTION	M.	H/V LOCATION
C13	4510008680	S.ELE EEE1EA220SP	T	37.1/8.6
C14	4030006880	S.CER C1608 JB 1H 472K-T	T	94.7/33.9
C15	4030011600	S.CER C1608 JB 1E 104K-T	T	39.2/14.1
C16	4030011600	S.CER C1608 JB 1E 104K-T	T	29.6/32.3
C17	4030011600	S.CER C1608 JB 1E 104K-T	T	19.4/41.8
C18	4030011600	S.CER C1608 JB 1E 104K-T	T	17.8/38.3
C19	4030011600	S.CER C1608 JB 1E 104K-T	T	31.5/33
C20	4030011600	S.CER C1608 JB 1E 104K-T	T	13.3/5.2
C21	4030011600	S.CER C1608 JB 1E 104K-T	T	11.3/3.1
C22	4030011600	S.CER C1608 JB 1E 104K-T	T	15/11
C23	4030011600	S.CER C1608 JB 1E 104K-T	T	11.9/15.8
C24	4030011600	S.CER C1608 JB 1E 104K-T	T	12.7/14
C25	4030011600	S.CER C1608 JB 1E 104K-T	T	10.2/19.8
C26	4030017800	S.CER C1608 CH 1H 561J-T	T	10.2/21.1
C27	4030007120	S.CER C1608 CH 1H 820J-T	T	7.7/18.2
C28	4030011340	S.CER C1608 CH 1H 471J-T	T	8.9/22.5
C29	4030011330	S.CER C1608 CH 1H 391J-T	T	10.2/23.8
C30	4030007050	S.CER C1608 CH 1H 220J-T	T	8.4/24.5
C31	4030017800	S.CER C1608 CH 1H 561J-T	T	10.2/25.1
C32	4030011600	S.CER C1608 JB 1E 104K-T	T	10.8/9.2
C33	4030011600	S.CER C1608 JB 1E 104K-T	T	9.5/10.1
C42	4030011600	S.CER C1608 JB 1E 104K-T	T	21.6/12.7
C43	4030011600	S.CER C1608 JB 1E 104K-T	T	20.1/16.8
C44	4030011600	S.CER C1608 JB 1E 104K-T	T	19.9/15.5
C45	4030011600	S.CER C1608 JB 1E 104K-T	T	13.2/20.6
C46	4030017800	S.CER C1608 CH 1H 561J-T	T	15/19.8
C47	4030007120	S.CER C1608 CH 1H 820J-T	T	13.2/23.2
C48	4030011340	S.CER C1608 CH 1H 471J-T	T	17.5/21.5
C49	4030011330	S.CER C1608 CH 1H 391J-T	T	18.8/21.5
C50	4030007050	S.CER C1608 CH 1H 220J-T	T	20.6/22.1
C51	4030017800	S.CER C1608 CH 1H 561J-T	T	21.7/24.4
C52	4030011600	S.CER C1608 JB 1E 104K-T	T	17.6/8.8
C53	4030011600	S.CER C1608 JB 1E 104K-T	T	16.3/9.7
C61	4030011600	S.CER C1608 JB 1E 104K-T	T	26.3/32.9
C62	4030011600	S.CER C1608 JB 1E 104K-T	T	24.1/36.1
C63	4030011600	S.CER C1608 JB 1E 104K-T	T	25.9/39.3
C64	4030011600	S.CER C1608 JB 1E 104K-T	T	22.7/34.1
C66	4030007010	S.CER C1608 CH 1H 100D-T	T	12.8/25.1
C67	4030011600	S.CER C1608 JB 1E 104K-T	T	17/35.4
C71	4030006880	S.CER C1608 JB 1H 472K-T	T	33.8/39.5
C72	4030006880	S.CER C1608 JB 1H 472K-T	T	14.4/45.4
C73	4030006880	S.CER C1608 JB 1H 472K-T	T	6.1/40.3
C74	4030006880	S.CER C1608 JB 1H 472K-T	T	10/43.2
C75	4030006880	S.CER C1608 JB 1H 472K-T	T	13.1/40.9
C76	4030006880	S.CER C1608 JB 1H 472K-T	T	19.4/45.4
C77	4030011600	S.CER C1608 JB 1E 104K-T	T	10.7/44.6
C91	4030006880	S.CER C1608 JB 1H 472K-T	T	25.5/16.4
C92	4030006880	S.CER C1608 JB 1H 472K-T	T	17.3/47.7
C93	4030006880	S.CER C1608 JB 1H 472K-T	T	22.1/2.7
C94	4030006880	S.CER C1608 JB 1H 472K-T	T	27.9/8.6
C101	4550006480	S.TAN TEESVA 1C 475M8R	T	40/38.9
RL10	6330001750	RLY FTR-B4C2Z		
RL11	6330001750	RLY FTR-B4C2Z		
J2	6510019971	S.CNR 52808-1071	T	30.5/48.8
J71	6510007020	CNR TMP-J01X-V6		
J72	6510007020	CNR TMP-J01X-V6		
J73	6510007020	CNR TMP-J01X-V6		
EP2	6910014730	S.BEA MPZ2012S331A-T	T	38.8/43.6
EP3	6910014730	S.BEA MPZ2012S331A-T	T	35.8/43.6
EP10	6910014730	S.BEA MPZ2012S331A-T	T	94.7/30.6
EP91	6910014730	S.BEA MPZ2012S331A-T	T	23.6/19.7
EP92	6910014730	S.BEA MPZ2012S331A-T	T	19.2/4.4

M.=Mounted side (T: Mounted on the Top side B: Mounted on the Bottom side)
S.=Surface mount

[DC-DC UNIT]

REF NO.	ORDER NO.	DESCRIPTION	M.	H/V LOCATION
IC1	1190002450	S.IC BD9851FEV-E2	T	37.8/69.7
IC21	1190002450	S.IC BD9851FEV-E2	T	85.5/69.7
IC41	1190002450	S.IC BD9851FEV-E2	T	37.8/26.6
IC151	1110002700	S.IC NJM2904M-TE1-#FMZB	T	162.5/59.9
Q1	1550000120	S.FET SSM3J112TU (TE85L)	T	28.6/66.8
Q2	1550000120	S.FET SSM3J112TU (TE85L)	T	28.6/64.1
Q11	1550000120	S.FET SSM3J112TU (TE85L)	T	42.4/65.1
Q12	1550000120	S.FET SSM3J112TU (TE85L)	T	42.4/62.4
Q21	1550000120	S.FET SSM3J112TU (TE85L)	T	74.9/67.1
Q31	1560001330	S.FET RSR025N03	T	86.6/62.9
Q41	1550000120	S.FET SSM3J112TU (TE85L)	T	28.6/21
Q42	1550000120	S.FET SSM3J112TU (TE85L)	T	28.6/23.7
Q51	1550000120	S.FET SSM3J112TU (TE85L)	T	42.4/22
Q52	1550000120	S.FET SSM3J112TU (TE85L)	T	42.4/19.3
Q101	1560001260	S.FET 2SK3018 T106	T	156.1/61.6
Q102	1590001870	S.TR DTA114EE TL	T	156.2/57.4
Q111	1520000460	S.TR 2SB1132 T100 R	T	154.9/45.8
Q112	1530002060	S.TR 2SC4081 T106 R	T	158.6/48.2
D1	1750000960	S.DIO RB081L-20	T	31.4/61.1
D2	1750000880	S.DIO RB551V-30TE-17	T	30.9/69.7
D11	1750000960	S.DIO RB081L-20	T	38.1/59.9
D12	1750000880	S.DIO RB551V-30TE-17	T	42.6/68.1
D21	1790001450	S.DIO RB160L-40 TE-25	T	71.7/65.1
D31	1790001450	S.DIO RB160L-40 TE-25	T	97/62.6
D41	1750000960	S.DIO RB081L-20	T	31.4/18
D42	1750000880	S.DIO RB551V-30TE-17	T	30.9/26.6
D51	1750000960	S.DIO RB081L-20	T	38.1/16.8
D52	1750000880	S.DIO RB551V-30TE-17	T	42.6/25
D101	1750000550	S.DIO 1SS355 TE-17	T	154/61.7
D102	1750000550	S.DIO 1SS355 TE-17	T	154.2/55.8
D111	1730002280	S.ZEN MAZ8091GM (TX)	T	162.1/49.7
D121	1790000700	DIO DSA3A1		
D122	1790000700	DIO DSA3A1		
D151	1750000550	S.DIO 1SS355 TE-17	T	161.6/54.2
FI121	4580000220	S.FIL ACM1211-701-2PL-TL	T	151.1/26.3
L1	6200012250	S.COL SLF7045T-3R3M2R5-PF 3.3U	T	23/62.5
L2	6200011300	S.COL EXCML16A270U	T	27.4/61.4
L11	6200012250	S.COL SLF7045T-3R3M2R5-PF 3.3U	T	48/62.0
L12	6200011300	S.COL EXCML16A270U	T	42.9/60.3
L21	6180003501	S.COL SLF6028T-100M1R3-PF	T	78.2/60.4
L22	6200011300	S.COL EXCML16A270U	T	72.1/61.3
L23	6200011300	S.COL EXCML16A270U	T	76.7/65.2
L31	6200012240	S.COL SLF6028T-330MR69-PF 33U	T	92.2/62.4
L32	6200011300	S.COL EXCML16A270U	T	96.2/58
L33	6200011300	S.COL EXCML16A270U	T	88.3/64.9
L41	6200012250	S.COL SLF7045T-3R3M2R5-PF 3.3U	T	23/19.4
L42	6200011300	S.COL EXCML16A270U	T	27.4/18.3
L51	6200012250	S.COL SLF7045T-3R3M2R5-PF 3.3U	T	48/17.1
L52	6200011300	S.COL EXCML16A270U	T	42.9/17.2
L91	6200010881	S.COL CDRH124NP-330MC	T	56.1/72.8
L92	6200010881	S.COL CDRH124NP-330MC	T	103.8/72.8
L93	6200010881	S.COL CDRH124NP-330MC	T	56.1/29.7
R1	7030006101	S.RES ERA3YED 183V (18 k)	T	24.2/70
R1	7030006561	S.RES ERA3YED 223V (22 k)	T	24.2/70
R2	7030006091	S.RES ERA3YED 822V (8.2 k)	T	24.2/71.3
R2	7030007230	S.RES ERA3YED 102V (1 k)	T	24.2/71.3
R3	7030005321	S.RES ERA3YED 103V (10 k)	T	24.2/72.6
R4	7030003440	S.RES ERJ3GEYJ 102 V (1 k)	T	27/68.7
R5	7030003480	S.RES ERJ3GEYJ 222 V (2.2 k)	T	31.5/72
R6	7030003760	S.RES ERJ3GEYJ 474 V (470 k)	T	28.9/72
R8	7030005451	S.RES ERA3YED 153V (15 k)	T	29.6/73.9
R9	7030005321	S.RES ERA3YED 103V (10 k)	T	31.5/74.7
R10	7030003600	S.RES ERJ3GEYJ 223 V (22 k)	T	31.5/74.7
R11	7030005691	S.RES ERA3YED 123V (12 k)	T	46.2/70.4
R11	7030006561	S.RES ERA3YED 223V (22 k)	T	46.2/70.4
R12	7030005691	S.RES ERA3YED 123V (12 k)	T	47.8/69.1
R12	7030007230	S.RES ERA3YED 102V (1 k)	T	47.8/69.1
R13	7030005321	S.RES ERA3YED 103V (10 k)	T	45.5/72.5
R14	7030003440	S.RES ERJ3GEYJ 102 V (1 k)	T	48.1/72.5
R15	7030003480	S.RES ERJ3GEYJ 222 V (2.2 k)	T	45.5/68.4
R16	7030003760	S.RES ERJ3GEYJ 474 V (470 k)	T	45.7/65.8
R17	7510001671	S.TMR NTCG16 4BH 103JT	T	37.4/73.8
R18	7030006601	S.RES ERA3YED 272V (2.7 k)	T	37.4/75.3
R21	7030005691	S.RES ERA3YED 123V (12 k)	T	73.8/75.1
R22	7030007230	S.RES ERA3YED 102V (1 k)	T	76.4/74.4
R23	7030006461	S.RES ERA3YED 152V (1.5 k)	T	73.8/72.4
R24	7030003440	S.RES ERJ3GEYJ 102 V (1 k)	T	72.5/75.1
R25	7030003440	S.RES ERJ3GEYJ 102 V (1 k)	T	77.1/71
R26	7030003700	S.RES ERJ3GEYJ 154 V (150 k)	T	75.1/69.8
R27	7030003740	S.RES ERJ3GEYJ 334 V (330 k)	T	73/69
R28	7030005451	S.RES ERA3YED 153V (15 k)	T	77.1/72.3
R29	7030005321	S.RES ERA3YED 103V (10 k)	T	77.7/74.4
R30	7030003600	S.RES ERJ3GEYJ 223 V (22 k)	T	80.9/72.9
R31	7030008071	S.RES ERA3YED 273V (27 k)	T	93.9/70.6
R33	7030007230	S.RES ERA3YED 102V (1 k)	T	93.2/72.7
R34	7030003440	S.RES ERJ3GEYJ 102 V (1 k)	T	95.8/72.7
R35	7030003440	S.RES ERJ3GEYJ 102 V (1 k)	T	92.4/68.4
R36	7030003700	S.RES ERJ3GEYJ 154 V (150 k)	T	94.7/66.6
R37	7030003740	S.RES ERJ3GEYJ 334 V (330 k)	T	96.4/68.6
R41	7030005691	S.RES ERA3YED 123V (12 k)	T	24.2/26.9
R42	7030005691	S.RES ERA3YED 123V (12 k)	T	24.2/28.2
R43	7030005321	S.RES ERA3YED 103V (10 k)	T	24.2/29.5
R44	7030003440	S.RES ERJ3GEYJ 102 V (1 k)	T	27/25.6
R45	7030003480	S.RES ERJ3GEYJ 222 V (2.2 k)	T	31.5/28.9

[DC-DC UNIT]

REF NO.	ORDER NO.	DESCRIPTION	M.	H/V LOCATION
R46	7030003760	S.RES ERJ3GEYJ 474 V (470 k)	T	28.9/28.9
R48	7030005451	S.RES ERA3YED 153V (15 k)	T	29.6/30.8
R49	7030005321	S.RES ERA3YED 103V (10 k)	T	31.5/31.6
R50	7030003600	S.RES ERJ3GEYJ 223 V (22 k)	T	34.1/31.6
R51	7030005691	S.RES ERA3YED 123V (12 k)	T	46.2/27.3
R52	7030005691	S.RES ERA3YED 123V (12 k)	T	47.8/26
R53	7030005321	S.RES ERA3YED 103V (10 k)	T	45.5/29.4
R54	7030003440	S.RES ERJ3GEYJ 102 V (1 k)	T	48.1/29.4
R55	7030003480	S.RES ERJ3GEYJ 222 V (2.2 k)	T	45.5/25.3
R56	7030003760	S.RES ERJ3GEYJ 474 V (470 k)	T	45.7/22.7
R101	7030003320	S.RES ERJ3GEYJ 101 V (100 k)	T	152.4/64.8
R102	7030003680	S.RES ERJ3GEYJ 104 V (100 k)	T	156/65
R103	7030003320	S.RES ERJ3GEYJ 101 V (100 k)	T	153.2/58.1
R104	7030003860	S.RES ERJ3GE JPW V	T	152/49.4
R112	7030003500	S.RES ERJ3GEYJ 332 V (3.3 k)	T	160.5/49.4
R113	7030003860	S.RES ERJ3GE JPW V	T	163.8/41.8
R114	7030003560	S.RES ERJ3GEYJ 103 V (10 k)	T	155.6/49.1
R131	7030003440	S.RES ERJ3GEYJ 102 V (1 k)	T	2.7/42.3
R132	7030003440	S.RES ERJ3GEYJ 102 V (1 k)	T	1.4/42.3
R151	7030005341	S.RES ERA3YED 182V (1.8 k)	T	167.2/59.3
R152	7030005341	S.RES ERA3YED 332V (3.3 k)	T	165.9/60.8
R153	7030005341	S.RES ERA3YED 332V (3.3 k)	T	161.8/65.5
R154	7030005681	S.RES ERA3YED 473V (47 k)	T	163.7/64.7
R155	7030003200	S.RES ERJ3GEYJ 100 V (10)	T	167.2/56.3
C1	4030011600	S.CER C1608 JB 1E 104K-T	T	29.2/56.9
C2	4030018970	S.CER C3225 JB 1C 226MT-N	T	32.2/58.1
C3	4030018970	S.CER C3225 JB 1C 226MT-N	T	32.2/66.1
C4	4030010240	S.CER C1608 JB 1H 391K-T	T	27/70
C5	4030010770	S.CER C1608 JB 1H 392K-T	T	30.2/72
C7	4030018520	S.CER C1608 JB 0J 225M-T	T	27.6/72
C8	4030007070	S.CER C1608 CH 1H 330J-T	T	32.8/74.7
C9	4030011600	S.CER C1608 JB 1E 104K-T	T	52/64.6
C11	4030011600	S.CER C1608 JB 1E 104K-T	T	43.6/57.1
C12	4030018970	S.CER C3225 JB 1C 226MT-N	T	37.8/56.9
C13	4030018970	S.CER C3225 JB 1C 226MT-N	T	38.3/63.7
C14	4030010240	S.CER C1608 JB 1H 391K-T	T	46.8/72.5
C15	4030010770	S.CER C1608 JB 1H 392K-T	T	44.2/68.4
C16	4030011600	S.CER C1608 JB 1E 104K-T	T	47.8/67.8
C17	4030018520	S.CER C1608 JB 0J 225M-T	T	47.8/66.5
C18	4030019090	S.CER C2012 JB 1C 225M-T	T	42.6/73.8
C19	4030017490	S.CER C1608 JB 1A 105K-T	T	44.1/72.8
C21	4030011600	S.CER C1608 JB 1E 104K-T	T	70.6/59
C22	4030018970	S.CER C3225 JB 1C 226MT-N	T	72.9/58.2
C23	4030018970	S.CER C3225 JB 1C 226MT-N	T	79.6/66.1
C24	4030010020	S.CER C1608 JB 1H 122K-T	T	75.1/74.4
C25	4030008860	S.CER C1608 JB 1H 153K-T	T	77.1/69.7
C27	4030011600	S.CER C1608 JB 1E 104K-T	T	73/70.3
C28	4030007070	S.CER C1608 CH 1H 330J-T	T	79.6/72.2
C29	4030011600	S.CER C1608 JB 1E 104K-T	T	100.2/65
C31	4030011600	S.CER C1608 JB 1E 104K-T	T	98.2/57.2
C32	4030011600	S.CER C1608 JB 1E 104K-T	T	98.2/55.9
C33	4030018970	S.CER C3225 JB 1C 226MT-N	T	91.3/56.7
C34	4030018970	S.CER C3225 JB 1C 226MT-N	T	86.6/56.7
C35	4030018970	S.CER C3225 JB 1C 226MT-N	T	86.6/59.7
C36	4030010240	S.CER C1608 JB 1H 391K-T	T	94.5/72.7
C37	4030008850	S.CER C1608 JB 1H 123K-T	T	91.1/68.4
C38	4030011600	S.CER C1608 JB 1E 104K-T	T	93.8/68.6
C39	4030006880	S.CER C1608 JB 1H 472K-T	T	95.1/68.6
C41	4030011600	S.CER C1608 JB 1E 104K-T	T	29.2/13.8
C42	4030018970	S.CER C3225 JB 1C 226MT-N	T	32.2/15
C43	4030018970	S.CER C3225 JB 1C 226MT-N	T	32.2/23
C44	4030010240	S.CER C1608 JB 1H 391K-T	T	27/26.9
C45	4030010770	S.CER C1608 JB 1H 392K-T	T	30.2/28.9
C47	4030018520	S.CER C1608 JB 0J 225M-T	T	27.6/28.9
C48	4030007070	S.CER C1608 CH 1H 330J-T	T	32.8/31.6
C49	4030011600	S.CER C1608 JB 1E 104K-T	T	52/21.5
C51	4030011600	S.CER C1608 JB 1E 104K-T	T	43.6/14
C52	4030018970	S.CER C3225 JB 1C 226MT-N	T	37.8/13.8
C53	4030018970	S.CER C3225 JB 1C 226MT-N	T	38.3/20.6
C54	4030010240	S.CER C1608 JB 1H 391K-T	T	46.8/29.4
C55	4030010770	S.CER C1608 JB 1H 392K-T	T	44.2/25.3
C56	4030011600	S.CER C1608 JB 1E 104K-T	T	47.8/24.7
C57	4030018520	S.CER C1608 JB 0J 225M-T	T	47.8/23.4
C58	4030019090	S.CER C2012 JB 1C 225M-T	T	42.6/30.7
C59	4030017490	S.CER C1608 JB 1A 105K-T	T	44.1/29.7
C95	4030019090	S.CER C2012 JB 1C 225M-T	T	90.3/73.8
C96	4030017490	S.CER C1608 JB 1A 105K-T	T	91.8/72.8
C97	4030011600	S.CER C1608 JB 1E 104K-T	T	85.2/65.5
C101	4030011600	S.CER C1608 JB 1E 104K-T	T	156/63.7
C102	4030011600	S.CER C1608 JB 1E 104K-T	T	153.7/64.8
C103	4030011600	S.CER C1608 JB 1E 104K-T	T	152.4/62
C104	4030011600	S.CER C1608 JB 1E 104K-T	T	156.4/55.3
C105	4030011600	S.CER C1608 JB 1E 104K-T	T	156.4/54
C106	4030011600	S.CER C1608 JB 1E 104K-T	T	152.4/56.1
C111	4030011600	S.CER C1608 JB 1E 104K-T	T	163.6/49.3
C112	4030011600	S.CER C1608 JB 1E 104K-T	T	162.9/39.8
C113	4510008500	S.ELE EEE1CA101WP	T	157.2/36.9
C121	4510008360	ELE 16 ME 1000 AX		
C122	4030011600	S.CER C1608 JB 1E 104K-T	T	143/33.8
C123	4030017810</			

[DC-DC UNIT]

REF NO.	ORDER NO.	DESCRIPTION	M.	H/V LOCATION
C144	4030011600	S.CER C1608 JB 1E 104K-T	T	13.2/61.3
C145	4030011600	S.CER C1608 JB 1E 104K-T	T	13.2/63.8
C146	4030011600	S.CER C1608 JB 1E 104K-T	T	9/71.3
C151	4030011600	S.CER C1608 JB 1E 104K-T	T	165.9/57.8
RL101	6330001060	RLY APQ 3311 (APQ3311K1)		
RL102	6330001060	RLY APQ 3311 (APQ3311K1)		
J1	6510003461	CNR B10B-EH-S (LF) (SN)		
J2	6510003441	CNR B08B-EH-S (LF) (SN)		
J4	6510003441	CNR B08B-EH-S (LF) (SN)		
J7	6510014961	S.CNR B2B-ZR-SM4-TF (LF) (SN)	T	167.1/45.1
F141	5210001040	S.FUS ICP-S1.2TN	T	12.2/11.9
F142	5210001040	S.FUS ICP-S1.2TN	T	15.2/11.9
F143	5210001050	S.FUS ICP-S0.5TN	T	24.7/48.1
F144	5210001050	S.FUS ICP-S0.5TN	T	29.5/46.8
F145	5210001040	S.FUS ICP-S1.2TN	T	14.9/52.9
F146	5210001040	S.FUS ICP-S1.2TN	T	12.6/50.6
W1	8900015610	CBL OPC-1591		
EP1	6910014730	S.BEA MPZ2012S331A-T	T	27.6/58.3
EP11	6910014730	S.BEA MPZ2012S331A-T	T	42.1/56.8
EP21	6910014730	S.BEA MPZ2012S331A-T	T	69/58.8
EP31	6910014730	S.BEA MPZ2012S331A-T	T	94.6/56.9
EP41	6910014730	S.BEA MPZ2012S331A-T	T	27.6/15.2
EP51	6910014730	S.BEA MPZ2012S331A-T	T	42.1/13.7
EP131	6910014730	S.BEA MPZ2012S331A-T	T	8.9/30.2
EP132	6910014730	S.BEA MPZ2012S331A-T	T	8.9/27.7
EP133	6910014730	S.BEA MPZ2012S331A-T	T	8.9/25.2
EP134	6910014730	S.BEA MPZ2012S331A-T	T	8.9/22.7
EP135	6910014730	S.BEA MPZ2012S331A-T	T	8.9/20.2
EP136	6910014730	S.BEA MPZ2012S331A-T	T	8.9/17.7
EP141	6910014730	S.BEA MPZ2012S331A-T	T	8.9/68.8
EP142	6910014730	S.BEA MPZ2012S331A-T	T	8.9/66.3
EP143	6910014730	S.BEA MPZ2012S331A-T	T	8.9/63.8
EP144	6910014730	S.BEA MPZ2012S331A-T	T	8.9/61.3
EP145	6910014730	S.BEA MPZ2012S331A-T	T	8.9/58.8
EP146	6910014730	S.BEA MPZ2012S331A-T	T	8.9/56.3

[CONNECT-A UNIT]

REF NO.	ORDER NO.	DESCRIPTION	M.	H/V LOCATION
IC1	1120003040	S.IC ADM3202ARNZ	T	172.3/26.1
IC2	1130005721	S.IC TC7W04F (TE12L,F)	T	155.8/28.2
IC3	1130005252	S.IC TC74HC08AF (EL,F)	T	155.8/16.4
Q1	1510000510	S.TR 2SA1576A T106R	T	150.2/26.4
Q2	1530002280	S.TR 2SC4081 T106 S	T	144.1/20.8
D1	1750000550	S.DIO 1SS355 TE-17	T	144.3/24.2
L301	6200003191	S.COL NLV32T-470J	T	87/34.4
L401	6200003241	S.COL NLV32T-221J	T	90.3/14.5
R1	7030003860	S.RES ERJ3GE JPW V	T	176.3/35
R2	7030003860	S.RES ERJ3GE JPW V	T	172/35
R3	7030003860	S.RES ERJ3GE JPW V	T	172/33.6
R4	7030003860	S.RES ERJ3GE JPW V	T	191.3/36
R6	7030003640	S.RES ERJ3GEYJ 473 V (47 k)	T	155.7/31.7
R7	7030003640	S.RES ERJ3GEYJ 473 V (47 k)	T	148.2/11.7
R8	7030003560	S.RES ERJ3GEYJ 103 V (10 k)	T	150.1/24.2
R9	7030003590	S.RES ERJ3GEYJ 183 V (18 k)	T	147.3/24.2
R10	7030003590	S.RES ERJ3GEYJ 183 V (18 k)	T	148.7/20.2
R11	7030003640	S.RES ERJ3GEYJ 473 V (47 k)	T	148.2/14.1
R12	7030003640	S.RES ERJ3GEYJ 473 V (47 k)	T	148.2/12.9
R201	7030003350	S.RES ERJ3GEYJ 181 V (180)	T	110.5/34
R202	7030003350	S.RES ERJ3GEYJ 181 V (180)	T	99.4/34
R301	7030003320	S.RES ERJ3GEYJ 101 V (100)	T	90.3/39
R401	7030003360	S.RES ERJ3GEYJ 221 V (220)	T	122.8/8
R402	7030003360	S.RES ERJ3GEYJ 221 V (220)	T	122.8/6.5
R403	7030003360	S.RES ERJ3GEYJ 221 V (220)	T	122.8/9.5
R404	7030003360	S.RES ERJ3GEYJ 221 V (220)	T	122.8/11
R601	7030003860	S.RES ERJ3GE JPW V	T	70.2/36.5
R602	7030003860	S.RES ERJ3GE JPW V	T	68.1/36.5
C1	4030017490	S.CER C1608 JB 1A 105K-T	T	175.6/31
C2	4030017490	S.CER C1608 JB 1A 105K-T	T	172.3/31
C3	4030017490	S.CER C1608 JB 1A 105K-T	T	168.9/31
C4	4030017490	S.CER C1608 JB 1A 105K-T	T	178.7/26.1
C6	4030017490	S.CER C1608 JB 1A 105K-T	T	176.2/21.4
C7	4030011600	S.CER C1608 JB 1E 104K-T	T	155.8/24.6
C8	4030011600	S.CER C1608 JB 1E 104K-T	T	156/10
C301	4030011600	S.CER C1608 JB 1E 104K-T	T	87.7/37.9
C401	4030011600	S.CER C1608 JB 1E 104K-T	T	93.8/14.5
J1	6510023671	CNR TCS4480-0141577		
J2	6510023720	CNR LGY6501-0600C		
J3	6510023120	CNR CD6109SA1J0 <CVI>		
J4	6510018961	S.CNR B2B-PH-SM4-TB (LF) (SN)	T	216.8/18.2
J101	6450001941	CNR KEY-15S-2A3A (LF) (SN)		
J201	6510024040	CNR TM11R-5M2-88-LP		
J202	6510020251	S.CNR B9B-PH-SM4-TB (LF) (SN)	T	104.2/26
J301	6510025640	CNR JFJ3004-010010		
J401	6510021721	S.CNR 30FLT-SM2-TB (LF) (SN)	T	100.3/10.1
J501	6510026930	S.CNR 31-5620-050-729-871+	T	34.5/14.6
J502	6510024151	S.CNR 50FY-BMT-TB (LF) (SN)	T	34.5/4.3
J602	6510024032	CNR UBA-4R-D10T-4D (LF) (SN)		
J603	6510024521	S.CNR 12FLT-SM2-TB (LF) (SN)	T	54.3/6
DS201	5040002930	S.LED SML-512MW T86	T	110.5/36.2
DS202	5040002930	S.LED SML-512MW T86	T	99.4/36.2
EP1	6910012350	S.BEA MMZ1608Y 102BT	T	194.8/33.5
EP2	6910012350	S.BEA MMZ1608Y 102BT	T	192/33.5
EP607	6910014730	S.BEA MPZ2012S331A-T	T	72.6/36.5
EP611	6910014730	S.BEA MPZ2012S331A-T	T	65.6/36.5

M.=Mounted side (T: Mounted on the Top side B: Mounted on the Bottom side)
S.=Surface mount

[CONNECT-B UNIT]

REF NO.	ORDER NO.	DESCRIPTION	M.	H/V LOCATION
IC11	1110003091	IC LA4425A-E		
IC21	1110006300	S.IC NJM2172V-TE1-#ZZZB	T	182.1/6.3
IC41	1110005610	S.IC NJM2058V-TE1-#ZZZB	T	145.4/9.1
IC81	1110002810	S.IC NJM2070M-TE1-#ZZZB	T	115.9/8.3
IC91	1120002830	S.IC NJM2125F-TE1-#FZZB	T	123.4/14.4
IC121	1110005731	S.IC S-80928CNMC-G8Y-G	T	67.3/15.3
Q1	1590003940	S.TR RN1105 (TE85L,F)	B	204.4/19.6
Q11	154000471	S.TR 2SD1801S-TL-E	B	209.1/15.6
Q21	1560001330	S.FET RSR025N03	B	194.6/19.2
Q22	1560001330	S.FET RSR025N03	B	151.5/8.5
Q91	1550000010	S.FET 2S.J0364GQ (TX)	T	127.6/10.2
Q121	1590003940	S.TR RN1105 (TE85L,F)	T	69.9/21.9
Q151	1590003940	S.TR RN1105 (TE85L,F)	T	110.6/32.6
Q161	1590001870	S.TR DTA114EE TL	T	114.3/34.9
Q162	1590003940	S.TR RN1105 (TE85L,F)	B	104.1/32
Q171	1530002060	S.TR 2SC4081 T106 R	B	116.6/22.4
Q181	1130009930	TR 2SB1274R		
Q182	1510000771	S.TR 2SA1586-GR (TE85L,F)	T	150.1/33.4
Q401	1590003940	S.TR RN1105 (TE85L,F)	T	100.2/31.5
Q501	1530002060	S.TR 2SC4081 T106 R	T	68.2/30.4
D1	1750000550	S.DIO 1SS355 TE-17	B	205.1/24.8
D91	1750000550	S.DIO 1SS355 TE-17	T	126.8/15
D111	1750000550	S.DIO 1SS355 TE-17	B	165.4/30.3
D112	1790000950	S.ZEN MAZ8056GM (TX)	B	162.3/31
D121	1750000550	S.DIO 1SS355 TE-17	T	73/20.2
D161	1160000070	S.DIO DAN202K T146	T	110.7/35.6
D171	1750000550	S.DIO 1SS355 TE-17	B	122.7/26.6
D401	1750000550	S.DIO 1SS355 TE-17	B	98.1/31.8
L21	6200003261	S.COL NLV32T-101J	T	177.5/14.3
L81	6200003261	S.COL NLV32T-101J	T	120.3/9
L111	6200003261	S.COL NLV32T-101J	T	170.9/29.9
L113	6200003261	S.COL NLV32T-101J	T	167.8/29.9
L114	6200003261	S.COL NLV32T-101J	T	176.3/29.9
L116	6200003261	S.COL NLV32T-101J	T	179.3/29.9
R2	7030003320	S.RES ERJ3GEYJ 101 V (100)	B	209.5/22.3
R11	7030003280	S.RES ERJ3GEYJ 470 V (47)	B	205/8.9
R12	7030003440	S.RES ERJ3GEYJ 102 V (1 k)	B	216/34.6
R13	7030004040	S.RES ERJ3GEYJ 4R7 V (4.7)	B	212.9/29.2
R14	7030003860	S.RES ERJ3GE JPW V	T	214.2/25.8
R15	7030003860	S.RES ERJ3GE JPW V	T	201.2/39.3
R21	7030003440	S.RES ERJ3GEYJ 102 V (1 k)	T	198.4/18.4
R22	7030003560	S.RES ERJ3GEYJ 103 V (10 k)	B	189.8/19
R23	7030003440	S.RES ERJ3GEYJ 102 V (1 k)	T	196/19.2
R24	7030003480	S.RES ERJ3GEYJ 222 V (2.2 k)	B	182.6/10.7
R25	7030003470	S.RES ERJ3GEYJ 182 V (1.8 k)	B	189.1/9.5
R26	7030003470	S.RES ERJ3GEYJ 182 V (1.8 k)	B	187.2/9.5
R27	7030003470	S.RES ERJ3GEYJ 182 V (1.8 k)	B	191.1/9.5
R28	7030003470	S.RES ERJ3GEYJ 182 V (1.8 k)	B	193.1/9.5
R29	7030003480	S.RES ERJ3GEYJ 222 V (2.2 k)	B	182.7/4.2
R30	7030003560	S.RES ERJ3GEYJ 103 V (10 k)	B	148.8/10.2
R31	7030003560	S.RES ERJ3GEYJ 103 V (10 k)	T	176/5.3
R32	7030003560	S.RES ERJ3GEYJ 103 V (10 k)	T	174.4/5.3
R33	7030003440	S.RES ERJ3GEYJ 102 V (1 k)	T	154.8/4.8
R34	7030003440	S.RES ERJ3GEYJ 102 V (1 k)	T	155.3/2.8
R35	7030003680	S.RES ERJ3GEYJ 104 V (100 k)	B	196.7/17.1
R36	7030003680	S.RES ERJ3GEYJ 104 V (100 k)	B	149.1/5.9
R41	7030003320	S.RES ERJ3GEYJ 101 V (100)	T	134.5/5.6
R42	7030003320	S.RES ERJ3GEYJ 101 V (100)	B	139.5/15.7
R43	7030003520	S.RES ERJ3GEYJ 472 V (4.7 k)	T	159.2/9.3
R44	7030003560	S.RES ERJ3GEYJ 103 V (10 k)	T	143.6/4.7
R45	7030003560	S.RES ERJ3GEYJ 103 V (10 k)	B	139.6/7.5
R46	7030003460	S.RES ERJ3GEYJ 152 V (1.5 k)	T	143.6/2.3
R47	7030003560	S.RES ERJ3GEYJ 103 V (10 k)	T	127.8/8.2
R51	7030003550	S.RES ERJ3GEYJ 822 V (8.2 k)	T	159.2/8
R52	7030003540	S.RES ERJ3GEYJ 682 V (6.8 k)	T	147.7/4.7
R53	7030003440	S.RES ERJ3GEYJ 102 V (1 k)	T	146.3/3.5
R54	7030003620	S.RES ERJ3GEYJ 333 V (33 k)	T	149/2.3
R55	7030003640	S.RES ERJ3GEYJ 473 V (47 k)	T	146.3/2.3
R61	7030003560	S.RES ERJ3GEYJ 103 V (10 k)	T	159.2/11.9
R62	7030003560	S.RES ERJ3GEYJ 103 V (10 k)	B	142.9/15.7
R63	7030003590	S.RES ERJ3GEYJ 183 V (18 k)	T	147.4/13.6
R64	7030003440	S.RES ERJ3GEYJ 102 V (1 k)	B	142.9/10.3
R65	7030003440	S.RES ERJ3GEYJ 102 V (1 k)	B	142.9/12.1
R71	7030003560	S.RES ERJ3GEYJ 103 V (10 k)	T	159.2/10.6
R72	7030003560	S.RES ERJ3GEYJ 103 V (10 k)	B	142.9/13.9
R73	7030003590	S.RES ERJ3GEYJ 183 V (18 k)	T	143.3/13.6
R74	7030003440	S.RES ERJ3GEYJ 102 V (1 k)	T	149.3/13.4
R81	7030004050	S.RES ERJ3GEYJ 1R0 V (1)	T	82.9/24.9
R82	7030003860	S.RES ERJ3GE JPW V	T	112.3/4.2
R83	7030003560	S.RES ERJ3GEYJ 103 V (10 k)	T	112.3/7.4
R84	7030003520	S.RES ERJ3GEYJ 472 V (4.7 k)	B	113.8/9.1
R85	7030003330	S.RES ERJ3GEYJ 121 V (120)	B	111.6/11
R86	7030003440	S.RES ERJ3GEYJ 102 V (1 k)	T	80.3/23.7
R91	7030003440	S.RES ERJ3GEYJ 102 V (1 k)	T	127.9/12.1
R93	7030003480	S.RES ERJ3GEYJ 222 V (2.2 k)	B	126.2/11.7
R94	7030003600	S.RES ERJ3GEYJ 223 V (22 k)	T	125.6/10.9
R95	7030003320	S.RES ERJ3GEYJ 101 V (100)	B	123.4/18.9
R96	7030003640	S.RES ERJ3GEYJ 473 V (47 k)	T	121.5/16.8
R97	7030003460	S.RES ERJ3GEYJ 152 V (1.5 k)	T	123.3/12.1
R98	7030003560	S.RES ERJ3GEYJ 103 V (10 k)	T	120.9/14.2
R99	7030003700	S.RES ERJ3GEYJ 154 V (150 k)	T	126.6/13.5
R111	7030003440	S.RES ERJ3GEYJ 102 V (1 k)	B	158.6/30
R121	7030003560	S.RES ERJ3GEYJ 103 V (10 k)	T	67.1/21.8
R122	7030003600	S.RES ERJ3GEYJ 223 V (22 k)	T	68.1/18.8
R123	7030003560	S.RES ERJ3GEYJ 103 V (10 k)	T	66.6/20
R124	7030003340	S.RES ERJ3GEYJ 151 V (150)	T	70.3/18.8

[CONNECT-B UNIT]

REF NO.	ORDER NO.	DESCRIPTION	M.	H/V LOCATION
R151	7030003560	S.RES ERJ3GEYJ 103 V (10 k)	T	113.5/32.6
R171	7030003620	S.RES ERJ3GEYJ 333 V (33 k)	B	119.6/24.8
R172	7030003580	S.RES ERJ3GEYJ 153 V (15 k)	B	119.6/23
R173	7030003510	S.RES ERJ3GEYJ 392 V (3.9 k)	B	119.6/26.6
R174	7030003520	S.RES ERJ3GEYJ 472 V (4.7 k)	B	114.8/24.8
R181	7030007160	S.RES ERJ12YJ3R3U (3.3)	B	145.2/38.7
R182	7030003560	S.RES ERJ3GEYJ 103 V (10 k)	T	147.6/32.6
R183	7030003500	S.RES ERJ3GEYJ 332 V (3.3 k)	T	145.8/32.6
R184	7030003340	S.RES ERJ3GEYJ 151 V (150)	B	147.8/38.7
R185	7030003560	S.RES ERJ3GEYJ 103 V (10 k)	B	153.1/34
R186	7030003520	S.RES ERJ3GEYJ 472 V (4.7 k)	B	153/41.7
R401	7030003320	S.RES ERJ3GEYJ 101 V (100)	B	98.8/35.2
R501	7030003520	S.RES ERJ3GEYJ 472 V (4.7 k)	T	68.1/35.2
R502	7030003320	S.RES ERJ3GEYJ 101 V (100)	T	68.2/27
R503	7030003360	S.RES ERJ3GEYJ 221 V (220)	T	68.2/33.8
R504	7030003640	S.RES ERJ3GEYJ 473 V (47 k)	T	68.2/28.4
R505	7030003440	S.RES ERJ3GEYJ 102 V (1 k)	B	84.8/3.2
C1	4030006880	S.CER C1608 JB 1H 472K-T	B	205.2/21.4
C2	4030006880	S.CER C1608 JB 1H 472K-T	B	205.2/23
C11	4510008300	ELE EEUFC1A471L		
C12	4030011600	S.CER C1608 JB 1E 104K-T	B	213.7/19.2
C13	4510008220	ELE 16 ME 2200 CA		
C14	4030011600	S.CER C1608 JB 1E 104K-T	B	215.5/29.2
C15	4030006870	S.CER C1608 JB 1H 222K-T	T	216.4/26.5
C16	4510008550	S.ELE EEE1H0SR	T	205.5/19.2
C17	4510008510	S.ELE EEE1CA471P	T	192.7/9.1
C18	4510008500	S.ELE EEE1CA101WP	T	202.1/12.7
C21	4030008980	S.CER C2012 JB 1C 154K-T	B	197.3/19.5
C22	4030006900	S.CER C1608 JB 1H 103K-T	T	199.7/18.4
C23	4030011600	S.CER C1608 JB 1E 104K-T	B	191.8/19
C24	4030017490	S.CER C1608 JB 1A 105K-T	B	182.6/8.5
C25	4510008530	S.ELE EEE1HA2R2SR	T	191.1/19.9
C26	4510008540	S.ELE EEE1CA100SR	T	182.2/11.5
C27	4030017490	S.CER C1608 JB 1A 105K-T	B	182.6/6.2
C28	4510008540	S.ELE EEE1CA100SR	T	171/9.8
C29	4510008530	S.ELE EEE1HA2R2SR	T	159.3/4.8
C30	4510008540	S.ELE EEE1CA100SR	T	175.9/8.8
C31	4510008540	S.ELE EEE1CA100SR	T	165.4/4.8
C32	4510008540	S.ELE EEE1CA100SR	T	165.4/9.8
C33	4030011600	S.CER C1608 JB 1E 104K-T	B	151.4/11.6
C34	4030006900	S.CER C1608 JB 1H 103K-T	T	154.1/2.8
C35	4030008980	S.CER C2012 JB 1C 154K-T	B	152.1/5.8
C41	4510008540	S.ELE EEE1CA100SR	T	138.9/9
C42	4510008540	S.ELE EEE1CA100SR	T	138.8/13.8
C43	4030006860	S.CER C1608 JB 1H 102K-T	T	143.6/3.5
C44	4510009120	S.ELE EEE1VA2R2NR	T	138.9/4.2
C51	4030006870	S.CER C1608 JB 1H 222K-T	T	149/3.5
C61	4030007170	S.CER C1608 CH 1H 221J-T	T	147.4/14.9
C62	4510008540	S.ELE EEE1CA100SR	T	132.5/13.5
C63	4510008540	S.ELE EEE1CA100SR	T	132.5/8.7
C71	4030007170	S.CER C1608 CH 1H 221J-T	T	143.4/14.8
C72	4510008540	S.ELE EEE1CA100SR	T	152.9/13.8
C81	4510008500	S.ELE EEE1CA101WP	T	114.7/15.6
C82	4510008550	S.ELE EEE1H0SR	T	125.8/5.2
C83	4030011600	S.CER C1608 JB 1E 104K-T	T	115.8/3.5
C84	4510008510	S.ELE EEE1CA471P	T	105.8/9.8
C85	4030011810	S.CER C1608 JB 1A 224K-T	T	80.3/24.9
C86	4510009010	S.ELE EEE1AA221P	T	95.7/9.9
C91	4030011600	S.CER C1608 JB 1E 104K-T	T	123/9.6
C92	4030011600	S.CER C1608 JB 1E 104K-T	T	124.1/16.8
C101	4030007130	S.CER C1608 CH 1H 101J-T	B	189.4/38.2
C111	4030006880	S.CER C1608 JB 1H 472K-T	B	171.3/29.8
C112	4030006880	S.CER C1608 JB 1H 472K-T	B	185.4/29.8
C113	4030006880	S.CER C1608 JB 1H 472K-T	B	168.3/29.8
C114	4030006880	S.CER C1608 JB 1H 472K-T	B	176.3/29.8
C115	4030006880	S.CER C1608 JB 1H 472K-T	B	182.4/29.7
C116	4030006880	S.CER C1608 JB 1H 472K-T	B	179.3/29.8
C117	4030011600	S.CER C1608 JB 1E 104K-T	B	160.8/30.7
C121	4030006900	S.CER C1608 JB 1H 103K-T	T	66.6/17.6
C122	4030017480	S.CER C1608 JB 1A 474K-T	T	66.

[CONNECT-B UNIT]

REF NO.	ORDER NO.	DESCRIPTION	M.	H/V LOCATION
J111	6510023671	CNR TCS4480-0141577		
J181	6510023720	CNR LGY6501-0600C		
J201	6510023750	CNR 01K1971-10		
J202	6510007020	CNR TMP-J01X-V6		
J301	6450001130	CNR JPJ2042-01-110		
J401	6510023720	CNR LGY6501-0600C		
J501	6510023720	CNR LGY6501-0600C		
J601	6450001130	CNR JPJ2042-01-110		
J602	6510018961	S.CNR B2B-PH-SM4-TB (LF) (SN)	T	46.8/15.6
J603	6510022191	S.CNR B3B-PH-SM4-TB (LF) (SN)	T	59/15.6
J701	6450001800	CNR JPJ1044-01-010		
J702	6510007020	CNR TMP-J01X-V6		
J801	6510023750	CNR 01K1971-10		
J802	6510007020	CNR TMP-J01X-V6		
J901	6510021721	S.CNR 30FLT-SM2-TB (LF) (SN)	T	109.7/24.9
J902	6510022801	S.CNR B10B-PH-SM4-TB (LF) (SN)	T	78.2/6
F101	5220000230	HOL S-N5054		
F102	5220000230	HOL S-N5054		
F103	5210000031	FUS FGB 1A PBF (FGB0 125V)		
EP11	6910014730	S.BEA MPZ2012S331A-T	T	204.2/41.5
EP12	6910014730	S.BEA MPZ2012S331A-T	T	216.2/41.6
EP101	6910014730	S.BEA MPZ2012S331A-T	B	186.5/43.3
EP102	6910014730	S.BEA MPZ2012S331A-T	T	194.7/33.9
EP112	6910014730	S.BEA MPZ2012S331A-T	T	185.5/29.7
EP115	6910014730	S.BEA MPZ2012S331A-T	T	182.4/29.8
EP116	6910014730	S.BEA MPZ2012S331A-T	B	175.3/42.1
EP181	6910015970	S.BEA MMZ1608B 301CT-AS	B	153.5/43.7
EP182	6910015970	S.BEA MMZ1608B 301CT-AS	B	153.4/45.2
EP301	6910014730	S.BEA MPZ2012S331A-T	T	116/37.8
EP302	6910014730	S.BEA MPZ2012S331A-T	T	105.8/37.8
EP303	6910014730	S.BEA MPZ2012S331A-T	B	113.3/47.9
EP304	6910014730	S.BEA MPZ2012S331A-T	B	98.4/47.9
EP401	6910014730	S.BEA MPZ2012S331A-T	B	84/40.7
EP402	6910014730	S.BEA MPZ2012S331A-T	B	92.1/39.9
EP501	6910015970	S.BEA MMZ1608B 301CT-AS	T	66.2/38
EP502	6910015970	S.BEA MMZ1608B 301CT-AS	B	78.1/44.6
EP601	6910014730	S.BEA MPZ2012S331A-T	B	38.9/47.8
EP901	6910014730	S.BEA MPZ2012S331A-T	T	75.2/13
EP902	6910014730	S.BEA MPZ2012S331A-T	T	77.2/13
EP903	6910014730	S.BEA MPZ2012S331A-T	T	79.2/13
EP904	6910014730	S.BEA MPZ2012S331A-T	T	81.2/13
EP905	6910014730	S.BEA MPZ2012S331A-T	T	85.2/13
EP906	6910014730	S.BEA MPZ2012S331A-T	T	87.2/13

[REG UNIT]

REF NO.	ORDER NO.	DESCRIPTION	M.	H/V LOCATION
F1	5210000131	FUS FGB 4A PBF (FGB0 125V)		[USA]
	5210001030	FUS 0234002.MXP		[FRA]
	5210001030	FUS 0234002.MXP		[EUR]
	5210001030	FUS 0234002.MXP		[UK]
	5210000131	FUS FGB 4A PBF (FGB0 125V)		[USA-01]
	5210001030	FUS 0234002.MXP		[EXP]
	5210001030	FUS 0234002.MXP		[AUS]
	5210001030	FUS 0234002.MXP		[CHN]
F2	5220000380	HOL F-400-01A1		[USA]
	5220000390	HOL F-400-01A2		[FRA]
	5220000390	HOL F-400-01A2		[EUR]
	5220000390	HOL F-400-01A2		[UK]
	5220000380	HOL F-400-01A1		[USA-01]
	5220000390	HOL F-400-01A2		[EXP]
	5220000390	HOL F-400-01A2		[AUS]
	5220000390	HOL F-400-01A2		[CHN]
MF1	2710000810	FAN FD124010HB-1N7 (120) <USE>		
W1	8900015620	CAB OPC-1592		
W2	8900015680	CAB OPC-1598		[USA]
	8900015681	CAB OPC-1598A		[FRA]
	8900015681	CAB OPC-1598A		[EUR]
	8900015681	CAB OPC-1598A		[UK]
	8900015680	CAB OPC-1598		[USA-01]
	8900015680	CAB OPC-1598		[EXP]
	8900015681	CAB OPC-1598A		[AUS]
	8900015681	CAB OPC-1598A		[CHN]
W3	8900015690	CAB OPC-1600		
W4	8900015700	CAB OPC-1602		
EP1	6910016800	UBD PBA150F-15		

M.=Mounted side (T: Mounted on the Top side B: Mounted on the Bottom side)
S.=Surface mount

[MEMORY BOARD]

REF NO.	ORDER NO.	DESCRIPTION	M.	H/V LOCATION
IC1	1130013480	S.IC JS28F128J3D-75	T	39.8/26.2
IC2	1130013480	S.IC JS28F128J3D-75	T	24/26.2
C1	4030011600	S.CER C1608 JB 1E 104K-T	T	41.8/38.8
C2	4030011600	S.CER C1608 JB 1E 104K-T	T	39.9/13.2
C3	4030011600	S.CER C1608 JB 1E 104K-T	T	36.8/13.2
C4	4030011600	S.CER C1608 JB 1E 104K-T	T	26/38.8
C5	4030011600	S.CER C1608 JB 1E 104K-T	T	24/13.2
C6	4030011600	S.CER C1608 JB 1E 104K-T	T	21/13.2
J1	6510024210	S.CNR AXK6S30437YG	T	55/20
J2	6510024200	S.CNR AXK6S40435P	T	10/20

[VCO2 BOARD]

REF NO.	ORDER NO.	DESCRIPTION	M.	H/V LOCATION
R4311	7030003440	S.RES ERJ3GEYJ 102 V (1 k)	T	2.6/15
R4400	7030003510	S.RES ERJ3GEYJ 392 V (3.9 k)	T	12.7/22.6
R4401	7030003480	S.RES ERJ3GEYJ 222 V (2.2 k)	T	11.3/19.4
R4402	7030003360	S.RES ERJ3GEYJ 221 V (220)	T	11/24.7
R4406	7030003440	S.RES ERJ3GEYJ 102 V (1 k)	T	14.2/22.6
R4407	7030003320	S.RES ERJ3GEYJ 101 V (100)	T	7.9/22.5
R4408	7030003300	S.RES ERJ3GEYJ 680 V (68)	T	7.9/21
R4409	7030003320	S.RES ERJ3GEYJ 101 V (100)	T	2.9/21.7
C4102	4550007480	S.TAN F930J106MAABMA	B	30.2/8
C4104	4030007040	S.CER C1608 CH 1H 180J-T	T	24.2/3.8
C4105	4030006990	S.CER C1608 CH 1H 080D-T	T	25.9/3.8
C4107	4030007010	S.CER C1608 CH 1H 100D-T	T	21.5/4.3
C4108	4030007030	S.CER C1608 CH 1H 150J-T	T	20.7/6.1
C4109	4030009500	S.CER C1608 CH 1H 0R5B-T	T	18.9/4.3
C4110	4030007030	S.CER C1608 CH 1H 150J-T	T	21.2/8
C4111	4030006860	S.CER C1608 JB 1H 102K-T	T	16.6/7.5
C4112	4030009540	S.CER C1608 CH 1H 1R5B-T	T	14.8/7.7
C4113	4030007090	S.CER C1608 CH 1H 470J-T	B	10.9/7.9
C4114	4030011600	S.CER C1608 JB 1E 104K-T	B	8.3/7.9
C4115	4030017810	S.CER C1608 CH 1H 102J-T	B	9.7/7.9
C4116	4030017810	S.CER C1608 CH 1H 102J-T	B	16.7/5.1
C4117	4030017810	S.CER C1608 CH 1H 102J-T	T	1.8/3.5
C4118	4030017810	S.CER C1608 CH 1H 102J-T	T	6.5/1.6
C4119	4030017810	S.CER C1608 CH 1H 102J-T	T	13.2/3.9
C4120	4030007090	S.CER C1608 CH 1H 470J-T	B	18/6.2
C4121	4030011600	S.CER C1608 JB 1E 104K-T	B	14.6/4.3
C4201	4550007480	S.TAN F930J106MAABMA	B	33.2/17.5
C4204	4030006990	S.CER C1608 CH 1H 080D-T	T	25.7/14
C4205	4030011770	S.CER C1608 CH 1H 060B-T	T	28.4/14
C4208	4030009530	S.CER C1608 CH 1H 030B-T	T	22.4/15.2
C4209	4030009500	S.CER C1608 CH 1H 0R5B-T	T	20.9/16.4
C4210	4030009520	S.CER C1608 CH 1H 020B-T	T	23.6/10.5
C4211	4030006860	S.CER C1608 JB 1H 102K-T	T	20.4/11.1
C4212	4030009540	S.CER C1608 CH 1H 1R5B-T	T	15.8/13.3
C4213	4030007090	S.CER C1608 CH 1H 470J-T	B	15.6/17.2
C4214	4030011600	S.CER C1608 JB 1E 104K-T	B	13.2/17.2
C4215	4030017810	S.CER C1608 CH 1H 102J-T	B	22.9/9.5
C4216	4030017810	S.CER C1608 CH 1H 102J-T	B	14.4/17.2
C4217	4030017810	S.CER C1608 CH 1H 102J-T	T	6.5/6.2
C4218	4030017810	S.CER C1608 CH 1H 102J-T	T	1.8/8
C4219	4030017810	S.CER C1608 CH 1H 102J-T	B	14.2/11.9
C4220	4030007090	S.CER C1608 CH 1H 470J-T	B	24.1/9.5
C4221	4030011600	S.CER C1608 JB 1E 104K-T	B	21/10.2
C4222	4030017810	S.CER C1608 CH 1H 102J-T	T	18.3/10.5
C4303	4550007480	S.TAN F930J106MAABMA	B	32.1/22.6
C4304	4030009530	S.CER C1608 CH 1H 030B-T	T	26.8/21.9
C4305	4030009530	S.CER C1608 CH 1H 030B-T	T	29.4/21.9
C4308	4030009540	S.CER C1608 CH 1H 1R5B-T	T	23.1/23.4
C4309	4030009500	S.CER C1608 CH 1H 0R5B-T	T	21.6/24.7
C4310	4030009510	S.CER C1608 CH 1H 010B-T	T	24.6/18.7
C4311	4030006860	S.CER C1608 JB 1H 102K-T	T	21.1/19.4
C4312	4030009530	S.CER C1608 CH 1H 030B-T	T	16.5/23.3
C4313	4030007090	S.CER C1608 CH 1H 470J-T	B	13.3/24.5
C4314	4030011600	S.CER C1608 JB 1E 104K-T	B	16.9/24.5
C4315	4030017810	S.CER C1608 CH 1H 102J-T	B	15.1/24.5
C4316	4030017810	S.CER C1608 CH 1H 102J-T	B	22.5/18.3
C4317	4030017810	S.CER C1608 CH 1H 102J-T	T	1.8/12.6
C4318	4030017810	S.CER C1608 CH 1H 102J-T	T	6.5/10.8
C4319	4030017810	S.CER C1608 CH 1H 102J-T	B	13.5/20.3
C4320	4030007090	S.CER C1608 CH 1H 470J-T	B	23.7/18.3
C4321	4030011600	S.CER C1608 JB 1E 104K-T	B	21.3/18.3
C4322	4030017810	S.CER C1608 CH 1H 102J-T	T	19/20.2
C4400	4030006860	S.CER C1608 JB 1H 102K-T	B	6.4/12.8
C4401	4030017810	S.CER C1608 CH 1H 102J-T	T	8.1/18.7
C4405	4030017810	S.CER C1608 CH 1H 102J-T	T	9.1/23.7
C4407	4030006860	S.CER C1608 JB 1H 102K-T	T	13.5/20.7
C4409	4030007090	S.CER C1608 CH 1H 470J-T	T	9.3/18.7
C4410	4030011600	S.CER C1608 JB 1E 104K-T	T	10.6/16.9
J4101	6910003841	CNR IMSA-9230B-1-05Z003-PT1		
J4102	6910003861	CNR IMSA-9230B-1-07Z003-PT1		

M.=Mounted side (T: Mounted on the Top side B: Mounted on the Bottom side)
S.=Surface mount

[VCO2 BOARD]

REF NO.	ORDER NO.	DESCRIPTION	M.	H/V LOCATION
Q4100	1530003550	S.TR 2SC5193-T1	T	15.7/5
Q4101	1530003550	S.TR 2SC5193-T1	T	18.7/6.2
Q4102	1590003940	S.TR RN1105 (TE85L,F)	T	3.8/3.6
Q4104	1590003570	S.TR BCR183T	T	9/3.6
Q4105	1590003940	S.TR RN1105 (TE85L,F)	T	6.4/3.6
Q4200	1530003550	S.TR 2SC5193-T1	T	18.3/14
Q4201	1560000491	S.FET 2SK508-T2B-A K52	T	22.7/12.8
Q4202	1590003940	S.TR RN1105 (TE85L,F)	T	3.8/8.1
Q4204	1590003570	S.TR BCR183T	T	9/8.1
Q4205	1590003940	S.TR RN1105 (TE85L,F)	T	6.4/8.2
Q4300	1530003550	S.TR 2SC5193-T1	T	19/23
Q4301	1560000491	S.FET 2SK508-T2B-A K52	T	23.4/21.1
Q4302	1590003940	S.TR RN1105 (TE85L,F)	T	3.8/12.7
Q4304	1590003570	S.TR BCR183T	T	9/12.7
Q4305	1590003940	S.TR RN1105 (TE85L,F)	T	6.4/12.8
Q4400	1530003431	S.TR 2SC5226A 4-ETL-E	T	10.6/21.5
D4100	1720000261	S.VCP 1SV214 (TPH2,F)	T	24.2/7.3
D4101	1720000801	S.VCP 1SV290 (TPH3,F)	T	25.9/7.4
D4103	1750000581	S.DIO 1SV307 (TPH3,F)	T	14.2/17.2
D4200	1750000721	S.VCP HVC375BTRF-E	T	25.6/12
D4201	1720000261	S.VCP 1SV214 (TPH2,F)	T	28.3/11.6
D4203	1750000581	S.DIO 1SV307 (TPH3,F)	T	15.9/17.2
D4300	1750000721	S.VCP HVC375BTRF-E	T	26.5/19.8
D4301	1720000261	S.VCP 1SV214 (TPH2,F)	T	29.5/19.4
D4304	1750000581	S.DIO 1SV307 (TPH3,F)	T	15.7/20.5
L4100	6200010780	S.COL C2520C-1R0G-A	B	26.6/5.4
L4101	6200010780	S.COL C2520C-1R0G-A	T	28.7/4.1
L4102	6200005711	S.COL ELJRE 27NGFA	T	22.2/6.1
L4104	6200010780	S.COL C2520C-1R0G-A	B	21.2/5.9
L4105	6200010780	S.COL C2520C-1R0G-A	B	13.5/7.9
L4200	6200010780	S.COL C2520C-1R0G-A	B	28.4/15.1
L4201	6200010780	S.COL C2520C-1R0G-A	T	31.9/13.4
L4202	6200009220	S.COL LQW18AN15NG00D	T	25/15.5
L4203	6200010780	S.COL C2520C-1R0G-A	B	23.5/13.8
L4204	6200010780	S.COL C2520C-1R0G-A	B	19.1/14.6
L4205	6200010780	S.COL C2520C-1R0G-A	T	28.4/16.2
L4300	6200010780	S.COL C2520C-1R0G-A	B	28.9/22.8
L4301	6200010780	S.COL C2520C-1R0G-A	T	32.8/21.1
L4302	6200009220	S.COL LQW18AN15NG00D	T	25.9/23.4
L4303	6200010780	S.COL C2520C-1R0G-A	B	24.2/22.2
L4304	6200010780	S.COL C2520C-1R0G-A	B	19.2/23.1
L4305	6200010780	S.COL C2520C-1R0G-A	T	33.8/25.3
L4306	6200010860	S.COL C2520C-R10G-A (0.1U)	T	29.4/25.3
L4401	6200001981	S.COL NLV25T-1R0J	B	9.2/16.9
R4100	7030003440	S.RES ERJ3GEYJ 102 V (1 k)	B	31.9/5.4
R4101	7030003440	S.RES ERJ3GEYJ 102 V (1 k)	T	30.7/6.4
R4102	7030003490	S.RES ERJ3GEYJ 272 V (2.7 k)	T	18.9/3.1
R4103	7030003490	S.RES ERJ3GEYJ 272 V (2.7 k)	T	21.5/3.1
R4104	7030003490	S.RES ERJ3GEYJ 272 V (2.7 k)	T	15.9/3.1
R4105	7030003360	S.RES ERJ3GEYJ 221 V (220)	B	18.6/4.3
R4106	7030003200	S.RES ERJ3GEYJ 100 V (10)	B	10.5/6
R4108	7030003440	S.RES ERJ3GEYJ 102 V (1 k)	T	13.2/7
R4109	7030003860	S.RES ERJ3GE JPW V	B	30/4.6
R4110	7030003860	S.RES ERJ3GE JPW V	T	14.2/10.3
R4111	7030003440	S.RES ERJ3GEYJ 102 V (1 k)	T	2.6/18
R4200	7030003440	S.RES ERJ3GEYJ 102 V (1 k)	B	33.4/13.6
R4201	7030003440	S.RES ERJ3GEYJ 102 V (1 k)	T	35.6/13.4
R4202	7030003510	S.RES ERJ3GEYJ 392 V (3.9 k)	T	20.2/14.1
R4203	7030003460	S.RES ERJ3GEYJ 152 V (1.5 k)	T	18.9/17.1
R4204	7030003320	S.RES ERJ3GEYJ 101 V (100)	T	17/11.8
R4205	7030003380	S.RES ERJ3GEYJ 331 V (330)	B	25.3/11
R4206	7030003400	S.RES ERJ3GEYJ 471 V (470)	B	13.2/14.6
R4208	7030003440	S.RES ERJ3GEYJ 102 V (1 k)	B	15.2/14.4
R4209	7030003440	S.RES ERJ3GEYJ 102 V (1 k)	B	31.4/15.2
R4210	7030003860	S.RES ERJ3GE JPW V	B	16.6/12.1
R4211	7030003440	S.RES ERJ3GEYJ 102 V (1 k)	T	2.6/16.5
R4212	7030003860	S.RES ERJ3GE JPW V	T	31.1/17.1
R4300	7030003440	S.RES ERJ3GEYJ 102 V (1 k)	B	33.8/21.4
R4301	7030003440	S.RES ERJ3GEYJ 102 V (1 k)	T	35.6/23
R4302	7030003510	S.RES ERJ3GEYJ 392 V (3.9 k)	T	20.9/22.8
R4303	7030003460	S.RES ERJ3GEYJ 152 V (1.5 k)	T	19.6/25.7
R4304	7030003320	S.RES ERJ3GEYJ 101 V (100)	T	17.3/20.5
R4305	7030003380	S.RES ERJ3GEYJ 331 V (330)	B	24.9/18.8
R4306	7030003400	S.RES ERJ3GEYJ 471 V (470)	B	11.8/24.6
R4308	7030003440	S.RES ERJ3GEYJ 102 V (1 k)	B	14.2/22.1
R4309	7030003440	S.RES ERJ3GEYJ 102 V (1 k)	B	30/20.5
R4310	7030003320	S.RES ERJ3GEYJ 101 V (100)	B	16.4/20.4

[DOUBLER BOARD]

REF NO.	ORDER NO.	DESCRIPTION	M.	H/V LOCATION
Q2200	1530003781	S.TR 2SC5624VH-TL-E	T	29.8/16.7
Q2201	1530003781	S.TR 2SC5624VH-TL-E	T	32.3/16.6
D3000	1790001621	S.DIO 1SV308 (TPL3,F)	T	26.9/15.2
D3001	1790001621	S.DIO 1SV308 (TPL3,F)	T	25.2/16.4
D3002	1790001621	S.DIO 1SV308 (TPL3,F)	T	7.3/6.7
D3003	1790001621	S.DIO 1SV308 (TPL3,F)	T	8.1/8.4
D3004	1790001621	S.DIO 1SV308 (TPL3,F)	T	25.8/19.4
D3005	1790001621	S.DIO 1SV308 (TPL3,F)	T	8.1/9.8
D3006	1790001621	S.DIO 1SV308 (TPL3,F)	T	25.1/20.8
D3007	1790001621	S.DIO 1SV308 (TPL3,F)	T	7.3/11.7
D3008	1790001621	S.DIO 1SV308 (TPL3,F)	T	26.9/10.6
D3009	1790001621	S.DIO 1SV308 (TPL3,F)	T	9/5.9
D3010	1790001621	S.DIO 1SV308 (TPL3,F)	T	24.4/13.7
D3011	1790001621	S.DIO 1SV308 (TPL3,F)	T	10.1/9.2
D3012	1790001621	S.DIO 1SV308 (TPL3,F)	T	24.1/18.6
D3013	1790001621	S.DIO 1SV308 (TPL3,F)	T	8.9/12.7
D3014	1790001621	S.DIO 1SV308 (TPL3,F)	T	23.3/21.6
D3015	1790001621	S.DIO 1SV308 (TPL3,F)	T	7.3/14.3
L2200	6200010450	S.COL C2520C-R82G-A (0.82U)	T	35.2/15.8
L2201	6140002551	S.COL #617DB-1919=P3	T	30.8/11.9
L2202	6200011460	S.COL C2520C-10NG-A	T	4.9/20.9
L3000	6200006771	S.COL ELJRE 1N5ZFA	T	22.6/23.4
L3001	6200006781	S.COL ELJRE 1N8ZFA	T	19.4/22.5
L3002	6200005631	S.COL ELJRE 5N6ZFA	T	17.1/25.1
L3003	6200006981	S.COL ELJRE R10GFA	B	16.5/20.7
L3004	6200005611	S.COL ELJRE 3N9ZFA	T	9.2/25.9
L3005	6200006781	S.COL ELJRE 1N8ZFA	T	20.7/19
L3051	6200005591	S.COL ELJRE 2N7ZFA	T	17.5/18.2
L3052	6200005621	S.COL ELJRE 4N7ZFA	T	15.2/15.6
L3053	6200006981	S.COL ELJRE R10GFA	B	17.8/16.6
L3054	6200005611	S.COL ELJRE 3N9ZFA	T	13.4/14.9
L3100	6200005611	S.COL ELJRE 3N9ZFA	T	23.6/10
L3101	6200005601	S.COL ELJRE 3N3ZFA	T	20.6/12.1
L3102	6200005621	S.COL ELJRE 4N7ZFA	T	15.4/9.2
L3103	6200006981	S.COL ELJRE R10GFA	B	16.6/13.8
L3104	6200005621	S.COL ELJRE 4N7ZFA	T	12.2/9.5
L3150	6200005591	S.COL ELJRE 2N7ZFA	T	23.6/7.2
L3151	6200005621	S.COL ELJRE 4N7ZFA	T	20.5/5.9
L3152	6200005641	S.COL ELJRE 6N8ZFA	T	15/3.2
L3153	6200006981	S.COL ELJRE R10GFA	B	17.2/6.7
L3154	6200005641	S.COL ELJRE 6N8ZFA	T	12.1/3.6
R2202	7030003200	S.RES ERJ3GEYJ 100 V (10)	B	34.2/15
R2203	7030003400	S.RES ERJ3GEYJ 471 V (470)	B	31.5/12.1
R2204	7030003480	S.RES ERJ3GEYJ 222 V (2.2 k)	B	28.9/12.1
R2205	7030003400	S.RES ERJ3GEYJ 471 V (470)	T	29.1/19.3
R2206	7030003340	S.RES ERJ3GEYJ 151 V (150)	T	31/19
R2207	7030003270	S.RES ERJ3GEYJ 390 V (39)	T	32.8/19.7
R2208	7030003340	S.RES ERJ3GEYJ 151 V (150)	T	31/20.2
R2213	7030003860	S.RES ERJ3GE JPW V	T	31.1/21.4
R2216	7030000010	S.RES MCR10EZHH JPW (000)	B	8.5/24.7
R2217	7030008240	S.RES ERJ12Y0R00U	B	13.3/24.8
R2218	7030008240	S.RES ERJ12Y0R00U	B	27/24.8
R2220	7030000010	S.RES MCR10EZHH JPW (000)	B	35.6/22
R2221	7030000010	S.RES MCR10EZHH JPW (000)	B	35.6/18.1
R3000	7030003440	S.RES ERJ3GEYJ 102 V (1 k)	T	26.6/23
R3001	7030003440	S.RES ERJ3GEYJ 102 V (1 k)	B	22.5/21.9
R3002	7030003440	S.RES ERJ3GEYJ 102 V (1 k)	B	11.5/20
R3003	7030000010	S.RES MCR10EZHH JPW (000)	B	8.5/20
R3004	7030000010	S.RES MCR10EZHH JPW (000)	B	14.2/20.2
R3005	7030000010	S.RES MCR10EZHH JPW (000)	B	18.7/20.6
R3050	7030003440	S.RES ERJ3GEYJ 102 V (1 k)	B	23.4/17.4
R3051	7030003440	S.RES ERJ3GEYJ 102 V (1 k)	B	10.2/16.5
R3052	7030000010	S.RES MCR10EZHH JPW (000)	B	8/17
R3053	7030000010	S.RES MCR10EZHH JPW (000)	B	15.6/16.6
R3054	7030000010	S.RES MCR10EZHH JPW (000)	B	21.1/16.6
R3100	7030003440	S.RES ERJ3GEYJ 102 V (1 k)	B	24.1/13.7
R3101	7030003440	S.RES ERJ3GEYJ 102 V (1 k)	B	10.9/12.2
R3102	7030000010	S.RES MCR10EZHH JPW (000)	B	8.6/12.9
R3103	7030000010	S.RES MCR10EZHH JPW (000)	B	13.7/13.8
R3104	7030000010	S.RES MCR10EZHH JPW (000)	B	19.3/13.4
R3150	7030003440	S.RES ERJ3GEYJ 102 V (1 k)	B	23.5/6.9
R3151	7030003440	S.RES ERJ3GEYJ 102 V (1 k)	B	10.4/6
R3153	7030000010	S.RES MCR10EZHH JPW (000)	B	8.2/6.8
R3154	7030000010	S.RES MCR10EZHH JPW (000)	B	20.6/7
R3155	7030000010	S.RES MCR10EZHH JPW (000)	B	14.5/6.7
C2201	4030017810	S.CER C1608 CH 1H 102J-T	B	31.2/10.9
C2202	4030017810	S.CER C1608 CH 1H 102J-T	T	32.3/7.2
C2203	4030017810	S.CER C1608 CH 1H 102J-T	T	29.3/7.2
C2204	4030017810	S.CER C1608 CH 1H 102J-T	T	34.7/18.8
C2205	4030017810	S.CER C1608 CH 1H 102J-T	T	28.5/21.2
C2211	4030007090	S.CER C1608 CH 1H 470J-T	T	30.5/7.2
C2212	4030007090	S.CER C1608 CH 1H 470J-T	B	31.2/9.6
C3000	4030009500	S.CER C1608 CH 1H 0R5B-T	T	23.3/25.2
C3002	4030017810	S.CER C1608 CH 1H 102J-T	B	20.2/21.4
C3003	4030009510	S.CER C1608 CH 1H 010B-T	T	21.8/25.3
C3004	4030009570	S.CER C1608 CH 1H 0R3B-T	T	20.6/22.5
C3005	4030009560	S.CER C1608 CH 1H R75B-T	T	20.6/25.1
C3006	4030009510	S.CER C1608 CH 1H 010B-T	T	18.2/22.5
C3007	4030009510	S.CER C1608 CH 1H 010B-T	T	15.8/22.5
C3008	4030009570	S.CER C1608 CH 1H 0R3B-T	T	14.6/22.5
C3009	4030017810	S.CER C1608 CH 1H 102J-T	B	10.7/21.9
C3010	4030009530	S.CER C1608 CH 1H 030B-T	T	11/25.1
C3018	4030009570	S.CER C1608 CH 1H 0R3B-T	T	13.4/22.6
C3020	4030009560	S.CER C1608 CH 1H R75B-T	T	12.2/22.5
C3050	4030009540	S.CER C1608 CH 1H 1R5B-T	T	22.5/17
C3051	4030009510	S.CER C1608 CH 1H 010B-T	T	20.7/17.8

[DOUBLER BOARD]

REF NO.	ORDER NO.	DESCRIPTION	M.	H/V LOCATION
C3052	4030017810	S.CER C1608 CH 1H 102J-T	B	25.3/16.6
C3053	4030009540	S.CER C1608 CH 1H 1R5B-T	T	19.9/15.9
C3054	4030009570	S.CER C1608 CH 1H 0R3B-T	T	18.7/18.2
C3055	4030009540	S.CER C1608 CH 1H 1R5B-T	T	18.7/15.6
C3056	4030009510	S.CER C1608 CH 1H 010B-T	T	16.3/18.2
C3057	4030009530	S.CER C1608 CH 1H 030B-T	T	15.1/18.2
C3058	4030009560	S.CER C1608 CH 1H R75B-T	T	13.9/18.2
C3059	4030017810	S.CER C1608 CH 1H 102J-T	B	11.4/16.5
C3060	4030009910	S.CER C1608 CH 1H 040B-T	T	11.5/16.7
C3061	4030009510	S.CER C1608 CH 1H 010B-T	T	10.3/16.7
C3064	4030009510	S.CER C1608 CH 1H 010B-T	T	21.1/15.9
C3069	4030009910	S.CER C1608 CH 1H 040B-T	T	12.7/16.7
C3100	4030009540	S.CER C1608 CH 1H 1R5B-T	T	23.6/7.8
C3101	4030009560	S.CER C1608 CH 1H R75B-T	T	23.6/11.2
C3102	4030017810	S.CER C1608 CH 1H 102J-T	B	22.2/12.6
C3103	4030009550	S.CER C1608 CH 1H 2R5B-T	T	21.8/9.5
C3104	4030009510	S.CER C1608 CH 1H 010B-T	T	21.8/12.1
C3105	4030009520	S.CER C1608 CH 1H 020B-T	T	19.3/9.8
C3106	4030009520	S.CER C1608 CH 1H 020B-T	T	18.6/11.7
C3107	4030009910	S.CER C1608 CH 1H 040B-T	T	16.7/9.8
C3108	4030009510	S.CER C1608 CH 1H 010B-T	T	16/11.7
C3109	4030017810	S.CER C1608 CH 1H 102J-T	B	12.2/12.2
C3110	4030009920	S.CER C1608 CH 1H 050B-T	T	14.1/10.6
C3111	4030009540	S.CER C1608 CH 1H 1R5B-T	T	11.7/11.4
C3112	4030009350	S.CER C1608 CH 1H 3R5B-T	T	17.9/9.8
C3150	4030009520	S.CER C1608 CH 1H 020B-T	T	26.6/6.5
C3151	4030009540	S.CER C1608 CH 1H 1R5B-T	T	23.6/6
C3152	4030017810	S.CER C1608 CH 1H 102J-T	B	21.6/6.1
C3153	4030009530	S.CER C1608 CH 1H 030B-T	T	20.5/3.3
C3154	4030009500	S.CER C1608 CH 1H 0R5B-T	T	21.7/5.9
C3155	4030009520	S.CER C1608 CH 1H 020B-T	T	19.3/3.5
C3156	4030009550	S.CER C1608 CH 1H 2R5B-T	T	18.5/6.6
C3158	4030009500	S.CER C1608 CH 1H 0R5B-T	T	15.9/6.6
C3159	4030017810	S.CER C1608 CH 1H 102J-T	B	11.6/6
C3160	4030007010	S.CER C1608 CH 1H 100D-T	T	12.9/5.8
C3161	4030009540	S.CER C1608 CH 1H 1R5B-T	T	11.1/5.9
C3162	4030009910	S.CER C1608 CH 1H 040B-T	T	16.7/3.2
C3163	4030009500	S.CER C1608 CH 1H 0R5B-T	T	15.9/5.4
C3164	4030009500	S.CER C1608 CH 1H 0R5B-T	T	24.3/4.1
J2201	6910003821	CNR IMSA-9230B-1-03Z003-PT1		
J2202	6910003871	CNR IMSA-9230B-1-08Z003-PT1		

[FIL1 BOARD]

REF NO.	ORDER NO.	DESCRIPTION	M.	H/V LOCATION
D2751	1750000581	S.DIO 1SV307 (TPH3,F)	T	7.9/8.8
D2800	1750000581	S.DIO 1SV307 (TPH3,F)	T	21.9/7.9
D2850	1750000581	S.DIO 1SV307 (TPH3,F)	T	20.9/10.4
D2851	1750000581	S.DIO 1SV307 (TPH3,F)	T	21.9/12.8
D2852	1750000581	S.DIO 1SV307 (TPH3,F)	T	8.9/11.2
D2853	1750000581	S.DIO 1SV307 (TPH3,F)	T	7.9/13.8
L2800	6200005621	S.COL ELJRE 4N7ZFA	T	18.7/9
L2801	6200005641	S.COL ELJRE 6N8ZFA	T	15.4/1.6
L2802	6200005681	S.COL ELJRE 15NGFA	T	13.1/3.8
L2803	6200006981	S.COL ELJRE R10GFA	B	15.7/4.7
L2804	6200005661	S.COL ELJRE 10NGFA	T	7.3/3.1
L2850	6200005621	S.COL ELJRE 4N7ZFA	T	18.8/7
L2851	6200005631	S.COL ELJRE 5N6ZFA	T	15.5/7.7
L2852	6200005671	S.COL ELJRE 12NGFA	T	14.6/9.8
L2853	6200006981	S.COL ELJRE R10GFA	B	16.1/9.3
L2854	6200005651	S.COL ELJRE 8N2ZFA	T	12.6/10.6
L2900	6200005621	S.COL ELJRE 4N7ZFA	T	18.8/13.1
L2901	6200005631	S.COL ELJRE 5N6ZFA	T	15.4/13.8
L2902	6200005671	S.COL ELJRE 12NGFA	T	13.5/15.8
L2903	6200006981	S.COL ELJRE R10GFA	B	15.1/13.3
L2904	6200005651	S.COL ELJRE 8N2ZFA	T	11.6/16.5
R2150	7030003860	S.RES ERJ3GE JPW V	T	26.2/11.5
R2152	7030003860	S.RES ERJ3GE JPW V	T	25.4/9.6
R2800	7030003440	S.RES ERJ3GEYJ 102 V (1 k)	B	21.2/4.7
R2801	7030003440	S.RES ERJ3GEYJ 102 V (1 k)	B	10.5/4.7
R2851	7030003440	S.RES ERJ3GEYJ 102 V (1 k)	B	18.7/8.2
R2852				

[FIL1 BOARD]

REF NO.	ORDER NO.	DESCRIPTION	M.	H/V LOCATION
C2857	4030009350	S.CER C1608 CH 1H 3R5B-T	T	13.4/8.6
C2858	4030009540	S.CER C1608 CH 1H 1R5B-T	T	10.8/7
C2859	4030017810	S.CER C1608 CH 1H 102J-T	B	14.2/10.1
C2860	4030007020	S.CER C1608 CH 1H 120J-T	T	11.4/8.9
C2861	4030009550	S.CER C1608 CH 1H 2R5B-T	T	10.1/8.9
C2900	4030009540	S.CER C1608 CH 1H 1R5B-T	B	21.5/13.3
C2901	4030009540	S.CER C1608 CH 1H 1R5B-T	T	18.8/14.4
C2902	4030017810	S.CER C1608 CH 1H 102J-T	B	17.1/14
C2903	4030009550	S.CER C1608 CH 1H 2R5B-T	T	18.1/16.5
C2904	4030009510	S.CER C1608 CH 1H 010B-T	T	16.7/13.8
C2905	4030009540	S.CER C1608 CH 1H 1R5B-T	T	15.4/16.4
C2906	4030009520	S.CER C1608 CH 1H 020B-T	T	14.2/13.8
C2907	4030009350	S.CER C1608 CH 1H 3R5B-T	T	12.8/13.8
C2908	4030009540	S.CER C1608 CH 1H 1R5B-T	T	10.9/13.1
C2909	4030017810	S.CER C1608 CH 1H 102J-T	B	13/14
C2910	4030007010	S.CER C1608 CH 1H 100D-T	T	10.9/14.6
C2911	4030009550	S.CER C1608 CH 1H 2R5B-T	T	9.4/16
J2101	6910003821	CNR IMSA-9230B-1-03Z003-PT1		
J2102	6910003851	CNR IMSA-9230B-1-06Z003-PT1		

[FIL2 BOARD]

REF NO.	ORDER NO.	DESCRIPTION	M.	H/V LOCATION
IC4450	1110006870	S.IC uPC2709TB-E3	T	7/16.1
D4500	1750000581	S.DIO 1SV307 (TPH3,F)	T	8.7/10
D4501	1750000581	S.DIO 1SV307 (TPH3,F)	T	8.7/6.7
D4502	1750000581	S.DIO 1SV307 (TPH3,F)	T	20.3/11.2
D4503	1750000581	S.DIO 1SV307 (TPH3,F)	T	20.3/7.8
L4452	6200010670	S.COL C2520C-R18G-A (0.18U)	T	6.3/13.1
L4500	6200005711	S.COL ELJRE 27NGFA	T	10.9/13.2
L4501	6200005701	S.COL ELJRE 22NGFA	T	13.1/11.3
L4502	6200006981	S.COL ELJRE R10GFA	B	14.9/12.1
L4503	6200005741	S.COL ELJRE 47NGFA	T	16/13.9
L4504	6200006991	S.COL ELJRE 56NGFA	T	19.5/14.6
L4550	6200005651	S.COL ELJRE 8N2ZFA	T	10.9/5.6
L4551	6200005641	S.COL ELJRE 6N8ZFA	T	13.1/7.6
L4552	6200006981	S.COL ELJRE R10GFA	B	14.7/6.8
L4553	6200005671	S.COL ELJRE 12NGFA	T	16/5
L4554	6200005681	S.COL ELJRE 15NGFA	T	19.5/4.4
R4451	7030003340	S.RES ERJ3GEYJ 151 V (150)	T	3.2/5.2
R4452	7030003260	S.RES ERJ3GEYJ 330 V (33)	T	2/6.7
R4454	7030003340	S.RES ERJ3GEYJ 151 V (150)	T	3.2/8.2
R4455	7030003200	S.RES ERJ3GEYJ 100 V (10)	B	4.3/13.2
R4500	7030003460	S.RES ERJ3GEYJ 152 V (1.5 k)	T	7.1/7.1
R4501	7030003440	S.RES ERJ3GEYJ 102 V (1 k)	B	11/12.1
R4502	7030003440	S.RES ERJ3GEYJ 102 V (1 k)	B	19.5/12.3
R4503	7030003440	S.RES ERJ3GEYJ 102 V (1 k)	T	21.9/10.9
R4550	7030003440	S.RES ERJ3GEYJ 102 V (1 k)	B	10.2/6.4
R4551	7030003440	S.RES ERJ3GEYJ 102 V (1 k)	B	19.5/6.8
C4458	4030017810	S.CER C1608 CH 1H 102J-T	T	2/9.5
C4459	4030017810	S.CER C1608 CH 1H 102J-T	T	5.1/15.7
C4460	4030017810	S.CER C1608 CH 1H 102J-T	B	6.1/14.7
C4500	4030017810	S.CER C1608 CH 1H 102J-T	T	7.1/9.7
C4501	4030007030	S.CER C1608 CH 1H 150J-T	T	10.9/14.6
C4502	4030009520	S.CER C1608 CH 1H 020B-T	T	10.2/11.3
C4503	4030007050	S.CER C1608 CH 1H 220J-T	T	13.1/13.9
C4504	4030017810	S.CER C1608 CH 1H 102J-T	B	13/12.9
C4505	4030011770	S.CER C1608 CH 1H 060B-T	T	11.7/11.3
C4506	4030007020	S.CER C1608 CH 1H 120J-T	T	14.6/13.9
C4507	4030007020	S.CER C1608 CH 1H 120J-T	T	14.6/11.3
C4508	4030017810	S.CER C1608 CH 1H 102J-T	B	17.1/12.9
C4509	4030007130	S.CER C1608 CH 1H 101J-T	T	16/11.3
C4510	4030007000	S.CER C1608 CH 1H 090D-T	T	18/10.6
C4511	4030007080	S.CER C1608 CH 1H 390J-T	T	18/13.3
C4512	4030007030	S.CER C1608 CH 1H 150J-T	T	18/12.1
C4514	4030017810	S.CER C1608 CH 1H 102J-T	T	21.9/8.1
C4550	4030009910	S.CER C1608 CH 1H 040B-T	T	7.9/4.5
C4551	4030009500	S.CER C1608 CH 1H 0R5B-T	T	10.2/7.6
C4552	4030011770	S.CER C1608 CH 1H 060B-T	T	13.1/5
C4553	4030017810	S.CER C1608 CH 1H 102J-T	B	12.2/6.1
C4554	4030009540	S.CER C1608 CH 1H 1R5B-T	T	11.7/7.6
C4555	4030009910	S.CER C1608 CH 1H 040B-T	T	14.6/5
C4556	4030009920	S.CER C1608 CH 1H 050B-T	T	14.6/7.6
C4557	4030017810	S.CER C1608 CH 1H 102J-T	B	17.1/6.1
C4558	4030007070	S.CER C1608 CH 1H 330J-T	T	16/7.6
C4559	4030009550	S.CER C1608 CH 1H 2R5B-T	T	18/8.3
C4560	4030007010	S.CER C1608 CH 1H 100D-T	T	18/5.6
C4561	4030009350	S.CER C1608 CH 1H 3R5B-T	T	18/6.9
J4451	6910003841	CNR IMSA-9230B-1-05Z003-PT1		
J4452	6910003841	CNR IMSA-9230B-1-05Z003-PT1		

[MIX1 UNIT]

REF NO.	ORDER NO.	DESCRIPTION	M.	H/V LOCATION
IC1	1130012720	S.IC CD74HC4094PWR	T	12.1/8.1
IC101	1110006600	S.IC MGA-82563-TR1G	T	29.6/13.2
IC102	1110006970	S.IC MAALSS0038TR	T	41.7/13.7
IC103	1110007060	S.IC PC3223TB-E3	T	23.1/7.9
IC201	1190002110	S.IC NJG1519KC1-TE3-#ZZB	T	43/26
IC202	1190002110	S.IC NJG1519KC1-TE3-#ZZB	T	39/46
IC301	1110007050	S.IC SYM-30DHW+ <MRF>	T	20.5/46.3
L101	6200002611	S.COL NLV25T-R47J	T	32.4/6.8
L102	6200010940	S.COL C2520C-39NG-A	T	32.7/12.6
L103	6200002611	S.COL NLV25T-R47J	T	43.5/7.5
L104	6200010940	S.COL C2520C-39NG-A	T	45.3/12.6
L105	6200005681	S.COL ELJRE 15NGFA	T	23.1/5.7
L106	6200005011	S.COL NLV25T-100J	B	21.4/6.4
L209	6200005631	S.COL ELJRE 6N2ZFA	T	33/27.5
L210	6200005641	S.COL ELJRE 6N8ZFA	T	32.3/31.9
L211	6200005591	S.COL ELJRE 2N2ZFA	T	39.7/32
L212	6200005601	S.COL ELJRE 3N3ZFA	T	38.9/38.8
L213	6200006771	S.COL ELJRE 1N5ZFA	T	45.3/31.3
L214	6200006771	S.COL ELJRE 1N5ZFA	T	46.1/38
L215	6200005601	S.COL ELJRE 3N3ZFA	T	33.8/24
L301	6200010630	S.COL LQW18AN8N2D00D	T	33.9/55.1
L302	6200010140	S.COL LQW18AN3N9C00D	T	33.9/56.6
R1	7030003200	S.RES ERJ3GEYJ 100 V (10)	T	8.6/6.2
R2	7030008240	S.RES ERJ12Y0R00U	B	3.5/28.4
R3	7030008240	S.RES ERJ12Y0R00U	B	34.4/4.8
R4	7030008240	S.RES ERJ12Y0R00U	B	3.5/21.5
R5	7030003860	S.RES ERJ3GE JPW V	B	6.8/7.6
R6	7030003860	S.RES ERJ3GE JPW V	B	7.4/15.9
R7	7030003860	S.RES ERJ3GE JPW V	B	8.8/7.6
R8	7030003860	S.RES ERJ3GE JPW V	B	9.8/15.9
R9	7030003860	S.RES ERJ3GE JPW V	B	10.8/7.6
R10	7030003860	S.RES ERJ3GE JPW V	B	12.2/15.9
R11	7030003860	S.RES ERJ3GE JPW V	B	13.6/7.6
R12	7030003360	S.RES ERJ3GEYJ 221 V (220)	B	6.8/5
R13	7030003360	S.RES ERJ3GEYJ 221 V (220)	B	8.6/17
R14	7030003360	S.RES ERJ3GEYJ 221 V (220)	B	8/5
R15	7030000010	S.RES MCR10EZHZJ JPW (000)	B	27.5/3.6
R101	7030003250	S.RES ERJ3GEYJ 270 V (27)	T	27.6/9
R102	7030003360	S.RES ERJ3GEYJ 221 V (220)	T	28.3/7
R103	7030003360	S.RES ERJ3GEYJ 221 V (220)	T	29.5/11
R104	7030007860	S.RES ERJ3GEYJ 8R2V (8.2)	T	37.3/9.5
R105	7030003410	S.RES ERJ3GEYJ 561 V (560)	T	36.5/7.5
R106	7030003410	S.RES ERJ3GEYJ 561 V (560)	T	38/7.5
R107	7030007860	S.RES ERJ3GEYJ 8R2V (8.2)	T	45.3/19.5
R108	7030003410	S.RES ERJ3GEYJ 561 V (560)	T	47.2/18.7
R109	7030003410	S.RES ERJ3GEYJ 561 V (560)	T	47.2/20.2
R110	7030008240	S.RES ERJ12Y0R00U	B	39.7/20.5
R111	7030003370	S.RES ERJ3GEYJ 271 V (270)	T	20/13.8
R112	7030003370	S.RES ERJ3GEYJ 271 V (270)	T	20/12.3
R113	7030003230	S.RES ERJ3GEYJ 180 V (18)	T	21.8/13
R201	7030003440	S.RES ERJ3GEYJ 102 V (1 k)	B	39.7/24.7
R202	7030003440	S.RES ERJ3GEYJ 102 V (1 k)	B	41.5/24.7
R203	7030003440	S.RES ERJ3GEYJ 102 V (1 k)	B	46.4/24.7
R204	7030003440	S.RES ERJ3GEYJ 102 V (1 k)	B	44.6/24.7
R219	7030003440	S.RES ERJ3GEYJ 102 V (1 k)	B	37.5/44.6
R220	7030003440	S.RES ERJ3GEYJ 102 V (1 k)	B	37.5/42.7
R221	7030003440	S.RES ERJ3GEYJ 102 V (1 k)	B	37.5/47.4
R222	7030003440	S.RES ERJ3GEYJ 102 V (1 k)	B	37.5/49.2
R301	7030004030	S.RES ERJ3GEYJ 5R6 V (5.6)	T	25.1/5.1
R302	7030003430	S.RES ERJ3GEYJ 821 V (820)	T	22.8/55.8
R303	7030003430	S.RES ERJ3GEYJ 821 V (820)	T	27.3/55.9
R304	7030003280	S.RES ERJ3GEYJ 470 V (47)	T	29.3/56.6
C1	4030007010	S.CER C1608 CH 1H 100D-T	B	12.2/18.5
C2	4030007010	S.CER C1608 CH 1H 100D-T	B	13.6/5
C3	4030007010	S.CER C1608 CH 1H 100D-T	B	11.3/5.7
C4	4030007010	S.CER C1608 CH 1H 100D-T	B	9.8/18.5
C5	4030007010	S.CER C1608 CH 1H 100D-T	B	7.4/18.5
C6	4030007010	S.CER C1608 CH 1H 100D-T	B	9.2/5
C7	4030007010	S.CER C1608 CH 1H 100D-T	B	5.6/5
C8	4030011600	S.CER C1608 JB 1E 104K-T	T	8.6/8.9
C10	4030011340	S.CER C1608 CH 1H 471J-T	B	14.9/5
C11	4030011340	S.CER C1608 CH 1H 471J-T	B	13.4/19.6
C12	4030011340	S.CER C1608 CH 1H 471J-T	B	11.3/4.5
C13	4030011340	S.CER C1608 CH 1H 471J-T	B	11/18.5
C101	4030007010	S.CER C1608 CH 1H 100D-T	T	26.1/9
C102	4030006860	S.CER C1608 JB 1H 102K-T	T	26.1/11.8
C103	4030007130	S.CER C1608 CH 1H 101J-T	T	27.6/11.8
C104	4030011780	S.CER C1608 CH 1H 102J-T	T	32/8.8
C105	4030007130	S.CER C1608 CH 1H 101J-T	T	32/10
C106	4030007130	S.CER C1608 CH 1H 101J-T	T	35.8/14
C107	4030006860	S.CER C1608 JB 1H 102K-T	T	35.8/12.5
C108	4030007010	S.CER C1608 CH 1H 100D-T	T	37.3/11
C109	4030006860	S.CER C1608 JB 1H 102K-T	T	38.8/12.5
C110	4030007130	S.CER C1608 CH 1H 101J-T	T	38.8/14
C111	4030017810	S.CER C1608 CH 1H 102J-T	T	42.7/9.4
C112	4030007130	S.CER C1608 CH 1H 101J-T	T	42.7/10.6
C113	4030007130	S.CER C1608 CH 1H 101J-T	T	40.9/19
C114	4030006860	S.CER C1608 JB 1H 102K-T	T	42.4/19
C115	4030007010	S.CER C1608 CH 1H 100D-T	T	43.9/19.7
C116	4030007010	S.CER C1608 CH 1H 100D-T	T	23.1/13
C117	4030007010	S.CER C1608 CH 1H 100D-T	T	21.5/9.9
C118	4030006860	S.CER C1608 JB 1H 102K-T	T	21.5/11.1
C119	4030006900	S.CER C1608 JB 1H 103K-T	T	19.9/7.1
C120	4030007130	S.CER C1608 CH 1H 101J-T	T	21.2/7.1
C121	4030006860	S.CER C1608 JB 1H 102K-T	T	25.7/7
C122	4030007130	S.CER C1608 CH 1H 101J-T	T	25.7/5.7
C123	4030009550	S.CER C1608 CH 1H 2R5B-T	T	35.3/7
C124	4030009550	S.CER C1608 CH 1H 2R5B-T	T	30.3/4.4

M.=Mounted side (T: Mounted on the Top side B: Mounted on the Bottom side) S.=Surface mount

[MIX1 UNIT]

REF NO.	ORDER NO.	DESCRIPTION	M.	H/V LOCATION
C125	4030009550	S.CER C1608 CH 1H 2R5B-T	T	46/6
C126	4030009550	S.CER C1608 CH 1H 2R5B-T	T	41.2/5.1
C127	4030009920	S.CER C1608 CH 1H 050B-T	B	21.4/8.3
C128	4030009920	S.CER C1608 CH 1H 050B-T	B	19.1/6.2
C202	4030007100	S.CER C1608 CH 1H 560J-T	B	46.4/27.4
C203	4030007100	S.CER C1608 CH 1H 560J-T	B	44.6/27.4
C204	4030007100	S.CER C1608 CH 1H 560J-T	B	41.5/27.4
C205	4030007100	S.CER C1608 CH 1H 560J-T	B	39.7/27.4
C230	4030011340	S.CER C1608 CH 1H 471J-T	T	39.7/24.7
C231	4030009520	S.CER C1608 CH 1H 020B-T	T	33.8/25.5
C232	4030009510	S.CER C1608 CH 1H 010B-T	T	31.5/27.5
C233	4030009520	S.CER C1608 CH 1H 020B-T	T	32.3/29.4
C235	4030009500	S.CER C1608 CH 1H 0R5B-T	T	32.3/33.3
C236	4030009510	S.CER C1608 CH 1H 010B-T	T	33.8/34.5
C237	4030011340	S.CER C1608 CH 1H 471J-T	T	33.3/36.7
C238	4030007170	S.CER C1608 CH 1H 221J-T	T	39.7/29
C239	4030009520	S.CER C1608 CH 1H 020B-T	T	37.4/29.8
C240	4030009500	S.CER C1608 CH 1H 0R5B-T	T	38.2/32
C241	4030009550	S.CER C1608 CH 1H 2R5B-T	T	38.9/35.8
C243	4030009570	S.CER C1608 CH 1H 0R3B-T	T	38.9/37.3
C244	4030009540	S.CER C1608 CH 1H 1R5B-T	T	37.4/40.3
C245	4030007170	S.CER C1608 CH 1H 221J-T	T	39.7/41
C246	4030007100	S.CER C1608 CH 1H 560J-T	T	46.1/29
C247	4030009510	S.CER C1608 CH 1H 010B-T	T	43.8/29.8
C249	4030009510	S.CER C1608 CH 1H 010B-T	T	45.3/35.8
C250	4030009500	S.CER C1608 CH 1H 0R5B-T	T	45.3/34.3
C252	4030009510	S.CER C1608 CH 1H 010B-T	T	43.8/40.3
C253	4030007100	S.CER C1608 CH 1H 560J-T	T	46.1/41
C259	4030007100	S.CER C1608 CH 1H 560J-T	B	40.1/44.6
C260	4030007100	S.CER C1608 CH 1H 560J-T	B	40.1/42.7
C261	4030007100	S.CER C1608 CH 1H 560J-T	B	40.1/49.2
C262	4030007100	S.CER C1608 CH 1H 560J-T	B	40.1/47.4
C263	4030009510	S.CER C1608 CH 1H 010B-T	T	37.9/25.7
C264	4030009520	S.CER C1608 CH 1H 020B-T	T	33.8/22.5
C265	4030007130	S.CER C1608 CH 1H 101J-T	T	45.3/22.2
C266	4030006860	S.CER C1608 JB 1H 102K-T	T	46.5/22.2
C306	4030006860	S.CER C1608 JB 1H 102K-T	T	28.8/47.4
C307	4030007130	S.CER C1608 CH 1H 101J-T	T	30/47.4
C310	4030009540	S.CER C1608 CH 1H 1R5B-T	T	31.6/55.9
C312	4030009350	S.CER C1608 CH 1H 3R5B-T	T	36.1/55.9
J1	6510019971	S.CNR 52808-1071	B	10.3/11.7
J101	6510023480	S.CNR AYU1-1P-02676-120-TF	B	22.8/11.8
J301	6510023480	S.CNR AYU1-1P-02676-120-TF	B	7.7/48.9
J302	6510007020	CNR TMP-J01X-V6		
W1	8900015660	CBL OPC-1596		
W2	8900015780	CBL OPC-1634		
EP11	6910015970	S.BEA MMZ1608B 301CT-AS	B	11/15.9
EP12	6910015970	S.BEA MMZ1608B 301CT-AS	B	11.3/3.3
EP13	6910015970	S.BEA MMZ1608B 301CT-AS	B	16.3/5
EP14	6910015970	S.BEA MMZ1608B 301CT-AS	B	13.4/17
EP101	6910015970	S.BEA MMZ1608B 301CT-AS	T	33.8/4.5
EP102	6910015970	S.BEA MMZ1608B 301CT-AS	T	44.5/4.8
EP103	6910015970	S.BEA MMZ1608B 301CT-AS	B	18.3/4.3
EP104	6910015970	S.BEA MMZ1608B 301CT-AS	B	30.5/4.2
EP105	6910015970	S.BEA MMZ1608B 301CT-AS	B	37.4/4.9

[MIX2 UNIT]

REF NO.	ORDER NO.	DESCRIPTION	M.	H/V LOCATION
IC21	1190002051	S.IC SPM5001-TL-E	T	37.8/37.2
IC101	1110006870	S.IC PC2709TB-E3	T	8.4/20.7
D101	1790001250	S.DIO MA2S1110G-(TX)	T	9.1/14.7
D102	1790001250	S.DIO MA2S1110G-(TX)	T	6.6/14.7
D121	1790001621	S.DIO 1SV308 (TPL3,F)	T	8.6/42.1
D122	1790001621	S.DIO 1SV308 (TPL3,F)	T	18.1/47.2
D141	1790001621	S.DIO 1SV308 (TPL3,F)	T	9.4/39.9
D142	1790001621	S.DIO 1SV308 (TPL3,F)	T	18.1/39.9
D161	1790001621	S.DIO 1SV308 (TPL3,F)	T	9.4/31.1
D162	1790001621	S.DIO 1SV308 (TPL3,F)	T	17.9/32.6
L1	6200010700	S.COL LQW18AN12NG00D	T	43.5/41.6
L2	6200010700	S.COL LQW18AN12NG00D	T	44.2/46.9
L3	6200010700	S.COL LQW18AN12NG00D	T	43.5/37
L21	6140004610	S.COL LR-520	T	33.8/47.4
L22	6130002961	S.COL #617DB-1327=P3	T	31.2/37.3
L23	6130002961	S.COL #617DB-1327=P3	T	36.8/29.9
L41	6200011050	S.COL C2012C-R12G-A	T	36.9/15.4
L42	6200010320	S.COL C2012C-R15G-A	T	39.5/12.8
L43	6200010310	S.COL C2012C-27NG-A	T	41.7/18.5
L44	6200010010	S.COL C2012C-39NG-A	T	45.8/17.6
L101	6200010350	S.COL C2012C-R27G-A	T	10.9/21.6
L102	6200001981	S.COL NLV25T-1R0J	T	12.3/28.7
L121	6200005721	S.COL ELJRE 33NGFA	T	12.2/45.7
L122	6200005721	S.COL ELJRE 33NGFA	T	14.5/46.5
L123	6200001981	S.COL NLV25T-1R0J	B	17.3/44.1
L141	6200005661	S.COL ELJRE 10NGFA	T	13/39.2
L142	6200005661	S.COL ELJRE 10NGFA	T	15.2/38.4
L143	6200001981	S.COL NLV25T-1R0J	B	18/37.1
L161	6200005651	S.COL ELJRE 8N2ZFA	T	12.2/31.1
L162	6200005651	S.COL ELJRE 8N2ZFA	T	14.5/31.9
L163	6200001981	S.COL NLV25T-1R0J	B	18.3/29.6
L181	6200001981	S.COL NLV25T-1R0J	T	22.2/38.5
L183	6200005651	S.COL ELJRE 8N2ZFA	T	24.8/42.3
R21	7030003860	S.RES ERJ3GE JPW V	T	32/42.3
R22	7030003860	S.RES ERJ3GE JPW V	T	38.6/42.3
R23	7030003320	S.RES ERJ3GEYJ 101 V (100)	T	35.6/38.6
R24	7030003320	S.RES ERJ3GEYJ 101 V (100)	T	35.6/35.9
R25	7030003260	S.RES ERJ3GEYJ 330 V (33)	T	30.1/30.1
R26	7030003300	S.RES ERJ3GEYJ 680 V (68)	T	30.3/44.8
R27	7030003300	S.RES ERJ3GEYJ 680 V (68)	T	37.3/44.8
R42	7030003860	S.RES ERJ3GE JPW V	T	35.8/20
R44	7030003280	S.RES ERJ3GEYJ 470 V (47)	T	44/17.3
R101	7030004030	S.RES ERJ3GEYJ 5R6 V (5.6)	T	7.5/12.5
R102	7030003430	S.RES ERJ3GEYJ 821 V (820)	T	9.7/11.8
R103	7030003430	S.RES ERJ3GEYJ 821 V (820)	T	9.7/13.3
R104	7030003200	S.RES ERJ3GEYJ 100 V (10)	T	11.5/18
R105	7030003440	S.RES ERJ3GEYJ 102 V (1 k)	T	9.3/29
R121	7030003440	S.RES ERJ3GEYJ 102 V (1 k)	B	19.6/43
R122	7030003680	S.RES ERJ3GEYJ 104 V (100 k)	B	19.2/45
R141	7030003440	S.RES ERJ3GEYJ 102 V (1 k)	B	20.2/37.6
R142	7030003680	S.RES ERJ3GEYJ 104 V (100 k)	B	19/40.2
R161	7030003410	S.RES ERJ3GEYJ 561 V (560)	B	19.4/27.3
R162	7030003680	S.RES ERJ3GEYJ 104 V (100 k)	B	20.2/29.3
R181	7030003440	S.RES ERJ3GEYJ 102 V (1 k)	T	22.1/41.5
C1	4030009920	S.CER C1608 CH 1H 050B-T	T	44.2/39.1
C3	4030009920	S.CER C1608 CH 1H 050B-T	T	45.7/43.9
C5	4030009530	S.CER C1608 CH 1H 030B-T	T	41.7/47.6
C6	4030009530	S.CER C1608 CH 1H 030B-T	T	44.2/34.6
C21	4030006850	S.CER C1608 JB 1H 471K-T	T	29/49.1
C22	4030011600	S.CER C1608 JB 1E 104K-T	T	37.2/49.1
C23	4030011600	S.CER C1608 JB 1E 104K-T	T	30.4/49.1
C24	4030006850	S.CER C1608 JB 1H 471K-T	T	38.6/49.1
C29	4030006850	S.CER C1608 JB 1H 471K-T	T	37.5/24.2
C30	4030011600	S.CER C1608 JB 1E 104K-T	T	37.5/25.6
C31	4030006850	S.CER C1608 JB 1H 471K-T	T	33.1/31.6
C32	4030011600	S.CER C1608 JB 1E 104K-T	T	33.1/27.1
C33	4030011600	S.CER C1608 JB 1E 104K-T	T	31.6/31.6
C34	4030006850	S.CER C1608 JB 1H 471K-T	T	31.6/27.1
C42	4030007100	S.CER C1608 CH 1H 560J-T	T	41.9/13.8
C43	4030007070	S.CER C1608 CH 1H 330J-T	T	41.9/11.8
C44	4030007020	S.CER C1608 CH 1H 120J-T	T	36.6/17.8
C45	4030007020	S.CER C1608 CH 1H 120J-T	T	41.4/16.6
C101	4030006860	S.CER C1608 JB 1H 102K-T	T	7.5/18.1
C102	4030006860	S.CER C1608 JB 1H 102K-T	T	9.7/18.8
C103	4030006860	S.CER C1608 JB 1H 102K-T	T	8.4/22.6
C104	4030011600	S.CER C1608 JB 1E 104K-T	T	9.7/17.4
C121	4030007030	S.CER C1608 CH 1H 150J-T	T	11.5/48
C122	4030006860	S.CER C1608 JB 1H 102K-T	B	20.4/45
C123	4030007060	S.CER C1608 CH 1H 270J-T	T	13/48
C124	4030007030	S.CER C1608 CH 1H 150J-T	T	16/48
C141	4030009910	S.CER C1608 CH 1H 040B-T	T	11.5/40.7
C142	4030006860	S.CER C1608 JB 1H 102K-T	B	20.2/40.2
C143	4030006990	S.CER C1608 CH 1H 080D-T	T	14.5/40.7
C144	4030009910	S.CER C1608 CH 1H 040B-T	T	16/40.7
C161	4030009910	S.CER C1608 CH 1H 040B-T	T	11.5/33.4
C162	4030006860	S.CER C1608 JB 1H 102K-T	B	21.4/29.3
C163	4030006980	S.CER C1608 CH 1H 070D-T	T	13/33.4
C164	4030009910	S.CER C1608 CH 1H 040B-T	T	16/33.4
C181	4030006860	S.CER C1608 JB 1H 102K-T	T	22.8/43.8
C182	4030006990	S.CER C1608 CH 1H 080D-T	T	24.1/40
C184	4030006990	S.CER C1608 CH 1H 080D-T	T	25.6/40
C201	4030006860	S.CER C1608 JB 1H 102K-T	T	25.4/12.1
C202	4030006860	S.CER C1608 JB 1H 102K-T	B	20.3/12.1
C203	4030006860	S.CER C1608 JB 1H 102K-T	B	21.6/12.1
C204	4030006860	S.CER C1608 JB 1H 102K-T	B	22.9/12.1

M.=Mounted side (T: Mounted on the Top side B: Mounted on the Bottom side)
S.=Surface mount

[MIX2 UNIT]

REF NO.	ORDER NO.	DESCRIPTION	M.	H/V LOCATION
J1	6510007020	CNR TMP-J01X-V6		
J41	6510007020	CNR TMP-J01X-V6		
J101	6510007020	CNR TMP-J01X-V6		
J201	6510019971	S.CNR 52808-1071	B	22/7
EP31	6910015970	S.BEA MMZ1608B 301CT-AS	B	29.3/25.3
EP101	6910015970	S.BEA MMZ1608B 301CT-AS	B	16/15.5
EP102	6910002161	CAS CASE-BM7H-LF		
EP201	6910015970	S.BEA MMZ1608B 301CT-AS	B	22.9/15.6
EP202	6910015970	S.BEA MMZ1608B 301CT-AS	B	21.6/15.6
EP203	6910015970	S.BEA MMZ1608B 301CT-AS	B	20.3/15.6
EP204	6910015970	S.BEA MMZ1608B 301CT-AS	T	24.1/14.7
EP205	6910015970	S.BEA MMZ1608B 301CT-AS	T	22.8/12.1
EP206	6910015970	S.BEA MMZ1608B 301CT-AS	T	21.5/12.1
EP207	6910015970	S.BEA MMZ1608B 301CT-AS	T	20.2/12.1
EP208	6910015970	S.BEA MMZ1608B 301CT-AS	T	24.1/12.1

[ANT UNIT]

REF NO.	ORDER NO.	DESCRIPTION	M.	H/V LOCATION
IC101	1110006970	S.IC MAALSS0038TR	T	87.4/12.7
IC201	1110006970	S.IC MAALSS0038TR	T	46.3/43.7
IC202	1110006970	S.IC MAALSS0038TR	T	33.2/42.3
IC601	1110006180	S.IC UPG2009TB-E3	T	158.5/24.2
IC602	1110006180	S.IC UPG2009TB-E3	T	158.5/16.3
IC701	1110006180	S.IC UPG2009TB-E3	T	152.7/11.5
IC702	1110006180	S.IC UPG2009TB-E3	T	144.8/11.5
IC801	1110006180	S.IC UPG2009TB-E3	T	139.2/10.3
IC802	1110007110	S.IC HELA-10+ <MRF>	T	120.6/9.4
IC803	1110006180	S.IC UPG2009TB-E3	T	105.5/19.9
IC1201	1130005721	S.IC TC7W04F (TE12L,F)	T	32.9/12.2
Q201	1530003880	S.TR NESG2101M05	T	40.2/31.3
Q1202	1590003930	S.TR UMD22N TR	T	35.6/21.8
Q1203	1590003630	S.TR EMD29-T2R	T	32.1/21.8
Q1204	1590003630	S.TR EMD29-T2R	T	37.6/8.1
Q1205	1590003940	S.TR RN1105 (TE85L,F)	T	30.8/4.3
Q1206	1590003930	S.TR UMD22N TR	T	42.3/22.4
Q1207	1590003930	S.TR UMD22N TR	T	42.3/13.7
Q1208	1590003930	S.TR UMD22N TR	T	42.3/19.5
Q1209	1590003930	S.TR UMD22N TR	T	42.3/16.6
Q1210	1550000090	S.FET RSQ035P03TR	T	34.9/2.5
D101	1750000550	S.DIO 1SS355 TE-17	B	94.4/44.2
D102	1750000550	S.DIO 1SS355 TE-17	T	98.2/13.2
D103	1750000550	S.DIO 1SS355 TE-17	B	62/12.6
D104	1750000550	S.DIO 1SS355 TE-17	B	79.2/42.8
D201	1750000550	S.DIO 1SS355 TE-17	B	65.9/48.7
D202	1750000550	S.DIO 1SS355 TE-17	B	22.5/44.9
D501	1750000550	S.DIO 1SS355 TE-17	B	136.7/25
L1	6200011730	S.COL LQW18AN10NG00D	T	111.9/39.2
L2	6200010120	S.COL LQW18AN5N6C00D	T	106.8/32.7
L3	6200010120	S.COL LQW18AN5N6C00D	T	104.2/32.7
L101	6200001831	S.COL NLV32T-100J	T	83.3/3.7
L102	6200005731	S.COL ELJRE 39NGFA	T	84.8/10
L201	6200007670	S.COL LQW2BHN10NJ03L	T	55.4/33.8
L202	6200005631	S.COL ELJRE 5N6ZFA	T	50.9/32.8
L203	6200005621	S.COL ELJRE 4N7ZFA	T	47.5/34
L204	6200011870	S.COL LQW18AN2N2D00D	T	52.9/46.6
L205	6200011870	S.COL LQW18AN2N2D00D	T	51.4/46.6
L206	6200007670	S.COL LQW2BHN10NJ03L	T	37.8/30.7
L207	6200005731	S.COL ELJRE 39NGFA	T	44.4/42.7
L208	6200006781	S.COL ELJRE 1N8ZFA	T	34.9/29.6
L209	6200005601	S.COL ELJRE 3N3ZFA	T	31.6/30.3
L210	6200005611	S.COL ELJRE 3N9ZFA	T	29.4/29.6
L211	6200006771	S.COL ELJRE 1N5ZFA	T	42.1/43.3
L212	6200006771	S.COL ELJRE 1N5ZFA	T	39.5/44.5
L213	6200001831	S.COL NLV32T-100J	B	41.4/39.8
L214	6200005731	S.COL ELJRE 39NGFA	T	33/40.2
L215	6200001831	S.COL NLV32T-100J	T	39.3/40.6
L216	6200012310	S.COL LQW18AN4N7D00D	T	55.2/45.6
L217	6200010630	S.COL LQW18AN8N2D00D	T	30.8/46.6
L218	6200012310	S.COL LQW18AN4N7D00D	T	28.8/47.4
L219	6200012320	S.COL LQW18AN3N6D00D	T	26.5/47.8
L501	6200010660	S.COL C2520C-R15G-A (0.15U)	T	155.4/31.1
L502	6200010670	S.COL C2520C-R18G-A (0.18U)	T	159.7/30.4
L503	6200010670	S.COL C2520C-R18G-A (0.18U)	T	151.6/30.3
L521	6200007780	S.COL LQW2BHN12J03L	B	152.6/38.5
L522	6200008570	S.COL LQW2BHN6N8D03L	B	143.8/40.1
L801	6130003020	S.COL ADTL1-12+ <MRF>	T	133/9.5
L802	6200010870	S.COL C2520C-R33G-A (0.33U)	T	113.4/6.6
L803	6200010870	S.COL C2520C-R33G-A (0.33U)	T	113.4/12.3
L804	6130003020	S.COL ADTL1-12+ <MRF>	T	105.5/9.4
R1	7030003560	S.RES ERJ3GEYJ 103 V (10 k)	T	109.3/41.3
R101	7030003200	S.RES ERJ3GEYJ 100 V (10)	B	91.5/42.6
R102	7030003200	S.RES ERJ3GEYJ 100 V (10)	T	97.2/11.2
R104	7030003350	S.RES ERJ3GEYJ 181 V (180)	T	76.1/25.4
R105	7030003200	S.RES ERJ3GEYJ 100 V (10)	B	60.4/10.8
R106	7030003300	S.RES ERJ3GEYJ 680 V (68)	T	76.8/23.3
R107	7030004030	S.RES ERJ3GEYJ 5R6 V (5.6)	T	78.3/10.8
R108	7030003430	S.RES ERJ3GEYJ 821 V (820)	T	79.1/12.7
R109	7030003430	S.RES ERJ3GEYJ 821 V (820)	T	77.6/12.7
R110	7030003300	S.RES ERJ3GEYJ 680 V (68)	T	75.3/23.3
R111	7030003200	S.RES ERJ3GEYJ 100 V (10)	B	80.2/40.8
R112	7030003430	S.RES ERJ3GEYJ 821 V (820)	B	89.9/18.4
R113	7030004030	S.RES ERJ3GEYJ 5R6 V (5.6)	B	91.8/17.6
R114	7030003430	S.RES ERJ3GEYJ 821 V (820)	B	89.9/16.9
R115	7030003380	S.RES ERJ3GEYJ 331 V (330)	T	83.6/10
R120	7030000010	S.RES MCR10EZHJ JPW (000)	B	51.5/40.7
R121	7030000010	S.RES MCR10EZHJ JPW (000)	B	46.1/51.5
R201	7030003200	S.RES ERJ3GEYJ 100 V (10)	B	66.9/50.8
R202	7030003500	S.RES ERJ3GEYJ 332 V (3.3 k)	T	43.7/28.8
R203	7030003280	S.RES ERJ3GEYJ 470 V (47)	B	35.1/28.9
R204	7030003480	S.RES ERJ3GEYJ 222 V (2.2 k)	T	44.9/33.3
R205	7030003240	S.RES 39 ERJ3GE	T	42.9/30.6
R206	7030003200	S.RES ERJ3GEYJ 100 V (10)	T	37.8/33.9
R212	7030003200	S.RES ERJ3GEYJ 100 V (10)	B	21.4/48.3
R213	7030003430	S.RES ERJ3GEYJ 821 V (820)	T	49.9/46.6
R214	7030004030	S.RES ERJ3GEYJ 5R6 V (5.6)	T	49.2/43.5
R215	7030003430	S.RES ERJ3GEYJ 821 V (820)	T	48.4/46.6
R216	7030003430	S.RES ERJ3GEYJ 821 V (820)	T	36.7/46.6
R217	7030004030	S.RES ERJ3GEYJ 5R6 V (5.6)	T	36.2/43.3
R218	7030003430	S.RES ERJ3GEYJ 821 V (820)	T	35.5/46.6
R220	7030003400	S.RES ERJ3GEYJ 471 V (470)	B	20.1/26.2
R221	7030003200	S.RES ERJ3GEYJ 100 V (10)	B	19.3/24.1
R222	7030003400	S.RES ERJ3GEYJ 471 V (470)	B	18.6/26.2
R501	7540000260	ABS SA05C 201M		
R502	7030003680	S.RES ERJ3GEYJ 104 V (100 k)	T	141.2/44.2

M.=Mounted side (T: Mounted on the Top side B: Mounted on the Bottom side)
S.=Surface mount

[ANT UNIT]

REF NO.	ORDER NO.	DESCRIPTION	M.	H/V LOCATION
R503	7030003200	S.RES ERJ3GEYJ 100 V (10)	B	132.9/23.9
R601	7030003440	S.RES ERJ3GEYJ 102 V (1 k)	T	153.1/25.1
R602	7030003290	S.RES ERJ3GEYJ 560 V (56)	T	163.3/21
R603	7030003360	S.RES ERJ3GEYJ 221 V (220)	T	161.5/20.3
R604	7030003290	S.RES ERJ3GEYJ 560 V (56)	T	163.3/19.5
R605	7030003440	S.RES ERJ3GEYJ 102 V (1 k)	B	156.1/16.2
R606	7030003440	S.RES ERJ3GEYJ 102 V (1 k)	B	161.7/15.4
R607	7030003440	S.RES ERJ3GEYJ 102 V (1 k)	B	161.7/24.3
R701	7030003440	S.RES ERJ3GEYJ 102 V (1 k)	B	152.6/15.8
R702	7030003300	S.RES ERJ3GEYJ 680 V (68)	T	148.8/8.3
R703	7030003320	S.RES ERJ3GEYJ 101 V (100)	T	149.5/6.4
R704	7030003320	S.RES ERJ3GEYJ 101 V (100)	T	148/6.4
R705	7030003440	S.RES ERJ3GEYJ 102 V (1 k)	B	143.9/15.8
R706	7030003440	S.RES ERJ3GEYJ 102 V (1 k)	B	143.9/7.3
R707	7030003440	S.RES ERJ3GEYJ 102 V (1 k)	B	153.6/7.3
R801	7030003440	S.RES ERJ3GEYJ 102 V (1 k)	B	140.1/6.4
R802	7030003440	S.RES ERJ3GEYJ 102 V (1 k)	B	140.1/14.5
R803	7030003860	S.RES ERJ3GE JPW V	T	105.2/15.4
R804	7030003440	S.RES ERJ3GEYJ 102 V (1 k)	T	103/14.6
R806	7030003440	S.RES ERJ3GEYJ 102 V (1 k)	B	102.7/18
R807	7030003440	S.RES ERJ3GEYJ 102 V (1 k)	B	106.4/21.7
R809	7030003440	S.RES ERJ3GEYJ 102 V (1 k)	T	137.6/5.3
R1207	7030003680	S.RES ERJ3GEYJ 104 V (100 k)	T	31.3/2
R1208	7030003440	S.RES ERJ3GEYJ 102 V (1 k)	T	32.5/3.5
C1	4030009920	S.CER C1608 CH 1H 050B-T	T	107.4/40.5
C2	4030009530	S.CER C1608 CH 1H 030B-T	T	109.3/39.2
C3	4030009520	S.CER C1608 CH 1H 020B-T	T	107.4/37.9
C4	4030006980	S.CER C1608 CH 1H 070D-T	T	106.8/35.3
C6	4030009540	S.CER C1608 CH 1H 1R5B-T	T	105.5/37.2
C7	4030007050	S.CER C1608 CH 1H 220J-T	T	104.2/35.3
C8	4030009550	S.CER C1608 CH 1H 2R5B-T	T	102.9/37.2
C101	4030006860	S.CER C1608 JB 1H 102K-T	B	94.1/42.6
C102	4030006860	S.CER C1608 JB 1H 102K-T	T	97.9/14.8
C104	4030006860	S.CER C1608 JB 1H 102K-T	T	85.6/7.1
C105	4030007130	S.CER C1608 CH 1H 101J-T	T	85.6/5.9
C106	4030007130	S.CER C1608 CH 1H 101J-T	T	81.1/10.7
C107	4030006860	S.CER C1608 JB 1H 102K-T	B	63.8/12.3
C109	4030006860	S.CER C1608 JB 1H 102K-T	B	79.5/44.3
C110	4030007130	S.CER C1608 CH 1H 101J-T	T	90.3/13.6
C111	4030009500	S.CER C1608 CH 1H 0R5B-T	B	83.9/44.5
C112	4030009500	S.CER C1608 CH 1H 0R5B-T	B	74.3/44.3
C113	4030009570	S.CER C1608 CH 1H 0R3B-T	B	84.3/32
C115	4030009500	S.CER C1608 CH 1H 0R5B-T	B	74.1/11
C116	4030009560	S.CER C1608 CH 1H R75B-T	T	80.3/12.7
C117	4030009920	S.CER C1608 CH 1H 050B-T	B	93/17.6
C118	4030009920	S.CER C1608 CH 1H 050B-T	T	78.3/9.6
C119	4030009560	S.CER C1608 CH 1H R75B-T	T	89.6/11.7
C122	4030009570	S.CER C1608 CH 1H 0R3B-T	B	74.1/36.7
C123	4030007090	S.CER C1608 CH 1H 470J-T	T	80/3.7
C201	4030006860	S.CER C1608 JB 1H 102K-T	B	66.2/47.1
C202	4030007090	S.CER C1608 CH 1H 470J-T	T	43.7/26.2
C203	4030007090	S.CER C1608 CH 1H 470J-T	B	35.1/31.5
C204	4030009520	S.CER C1608 CH 1H 020B-T	T	54.8/27.6
C205	4030009510	S.CER C1608 CH 1H 010B-T	T	54/30.2
C206	4030009520	S.CER C1608 CH 1H 020B-T	T	55.4/30.2
C207	4030009510	S.CER C1608 CH 1H 010B-T	T	52.1/29.5
C208	4030011770	S.CER C1608 CH 1H 060B-T	T	50.2/30.2
C209	4030009510	S.CER C1608 CH 1H 010B-T	T	48.3/29.5
C210	4030007030	S.CER C1608 CH 1H 150J-T	T	47.5/31.4
C212	4030009510	S.CER C1608 CH 1H 010B-T	T	53.7/40.6
C213	4030009350	S.CER C1608 CH 1H 3R5B-T	T	52.9/43.9
C215	4030009510	S.CER C1608 CH 1H 010B-T	T	52.2/42
C216	4030007010	S.CER C1608 CH 1H 100D-T	T	51.4/43.9
C218	4030009540	S.CER C1608 CH 1H 1R5B-T	T	49.9/41.7
C219	4030006850	S.CER C1608 JB 1H 471K-T	B	36.4/31.5
C220	4030009520	S.CER C1608 CH 1H 020B-T	T	35.6/31.6
C221	4030009550	S.CER C1608 CH 1H 2R5B-T	T	45.6/30.6
C222	4030009520	S.CER C1608 CH 1H 020B-T	T	41/33.9
C223	4030009520	S.CER C1608 CH 1H 020B-T	T	42.6/33.9
C224	4030009520	S.CER C1608 CH 1H 020B-T	T	39.4/33.9
C225	4030007130	S.CER C1608 CH 1H 101J-T	B	44.7/40.7
C228	4030009520	S.CER C1608 CH 1H 020B-T	T	43.6/44.6
C229	4030009510	S.CER C1608 CH 1H 010B-T	T	33.7/32.4
C230	4030009500	S.CER C1608 CH 1H 0R5B-T	T	33.7/29.6
C231	4030009510	S.CER C1608 CH 1H 010B-T	T	32.4/32.4
C232	4030009560	S.CER C1608 CH 1H R75B-T	T	31.6/29
C233	4030009500	S.CER C1608 CH 1H 0R5B-T	T	30.9/32.5
C234	4030009500	S.CER C1608 CH 1H 0R5B-T	T	29.4/32.5
C235	4030009500	S.CER C1608 CH 1H 0R5B-T	T	30.1/27.7
C238	4030009570	S.CER C1608 CH 1H 0R3B-T	T	42.9/46.6
C239	4030009500	S.CER C1608 CH 1H 0R5B-T	T	41.5/46.6
C240	4030009500	S.CER C1608 CH 1H 0R5B-T	T	40.3/46.6
C241	4030009570	S.CER C1608 CH 1H 0R3B-T	T	39.5/43.3
C242	4030009500	S.CER C1608 CH 1H 0R5B-T	T	27.2/29.6
C243	4030009500	S.CER C1608 CH 1H 0R5B-T	T	26/29.6
C244	4030006860	S.CER C1608 JB 1H 102K-T	B	22.2/46.4
C246	4030009500	S.CER C1608 CH 1H 0R5B-T	T	39.1/46.6
C249	4030006860	S.CER C1608 JB 1H 102K-T	T	37.8/26.7
C250	4030006860	S.CER C1608 JB 1H 102K-T	T	44.8/40.5
C251	4030009510	S.CER C1608 CH 1H 010B-T	T	46.1/33.3
C252	4030009520	S.CER C1608 CH 1H 020B-T	T	36.3/33.9
C253	4030007090	S.CER C1608 CH 1H 470J-T	B	38/39.7
C256	4030007130	S.CER C1608 CH 1H 101J-T	T	33.9/45.1
C257	4030006860	S.CER C1608 JB 1H 102K-T	T	35.7/41
C258	4030007130	S.CER C1608 CH 1H 101J-T	T	37.1/41
C259	4030009570	S.CER C1608 CH 1H 0R3B-T	T	55.9/39.8
C260	4030009520	S.CER C1608 CH 1H 020B-T	T	55.2/41.8
C261	4030009540	S.CER C1608 CH 1H 1R5B-T	T	54.4/43.7
C262	4030009530	S.CER C1608 CH 1H 030B-T	T	49.2/44.7
C263	4030007130	S.CER C1608 CH 1H 101J-T	T	47.9/41.6
C264	4030009570	S.CER C1608 CH 1H 0R3B-T	T	37.9/46.6
C265	4030009530	S.CER C1608 CH 1H 030B-T	T	36.2/44.5

[ANT UNIT]

REF NO.	ORDER NO.	DESCRIPTION	M.	H/V LOCATION
C266	4030009540	S.CER C1608 CH 1H 1R5B-T	T	30.8/41
C267	4030009540	S.CER C1608 CH 1H 1R5B-T	T	30.8/44
C268	4030009510	S.CER C1608 CH 1H 010B-T	T	29.2/42.5
C269	4030009560	S.CER C1608 CH 1H R75B-T	T	28/45.4
C270	4030009510	S.CER C1608 CH 1H 010B-T	T	29.2/45.4
C271	4030009560	S.CER C1608 CH 1H R75B-T	T	27.3/43.2
C272	4030009920	S.CER C1608 CH 1H 050B-T	T	26.5/45.2
C273	4030009560	S.CER C1608 CH 1H R75B-T	T	26.5/41.3
C501	4030006860	S.CER C1608 JB 1H 102K-T	B	135.1/24.7
C502	4030007100	S.CER C1608 CH 1H 560J-T	T	153.9/28.1
C504	4030007100	S.CER C1608 CH 1H 560J-T	T	156.5/28.1
C506	4030007130	S.CER C1608 CH 1H 101J-T	T	158.5/27.3
C508	4030007130	S.CER C1608 CH 1H 101J-T	T	151/28.1
C521	4030007020	S.CER C1608 CH 1H 120J-T	B	154.6/40.9
C522	4030007020	S.CER C1608 CH 1H 120J-T	B	153.4/40.9
C523	4030007020	S.CER C1608 CH 1H 120J-T	B	151.8/40.9
C524	4030007020	S.CER C1608 CH 1H 120J-T	B	150.6/40.9
C525	4030009540	S.CER C1608 CH 1H 1R5B-T	B	142.1/44.8
C526	4030009520	S.CER C1608 CH 1H 020B-T	B	140.9/39.2
C601	4030006860	S.CER C1608 JB 1H 102K-T	T	156.1/24.4
C602	4030006860	S.CER C1608 JB 1H 102K-T	T	161/25.9
C603	4030017810	S.CER C1608 CH 1H 102J-T	T	161/23.3
C604	4030006900	S.CER C1608 JB 1H 103K-T	T	161/22.1
C605	4030006900	S.CER C1608 JB 1H 103K-T	T	157.8/20.3
C606	4030017810	S.CER C1608 CH 1H 102J-T	T	156.5/20.3
C607	4030006900	S.CER C1608 JB 1H 103K-T	T	161/17.2
C608	4030017810	S.CER C1608 CH 1H 102J-T	T	161/18.4
C609	4030006860	S.CER C1608 JB 1H 102K-T	T	156/16.4
C610	4030006860	S.CER C1608 JB 1H 102K-T	T	161.7/15.4
C611	4030017810	S.CER C1608 CH 1H 102J-T	T	155.7/13.1
C612	4030006900	S.CER C1608 JB 1H 103K-T	T	155.7/14.3
C701	4030006860	S.CER C1608 JB 1H 102K-T	T	152.9/13.7
C702	4030006860	S.CER C1608 JB 1H 102K-T	T	153.6/8.2
C703	4030006900	S.CER C1608 JB 1H 103K-T	T	151.8/9
C704	4030017810	S.CER C1608 CH 1H 102J-T	T	150.6/9
C705	4030006900	S.CER C1608 JB 1H 103K-T	T	148.8/12.3
C706	4030017810	S.CER C1608 CH 1H 102J-T	T	148.8/13.5
C707	4030006900	S.CER C1608 JB 1H 103K-T	T	146.9/9
C708	4030017810	S.CER C1608 CH 1H 102J-T	T	145.7/9
C709	4030006860	S.CER C1608 JB 1H 102K-T	T	144.7/14
C710	4030006860	S.CER C1608 JB 1H 102K-T	T	143.9/8.2
C711	4030017810	S.CER C1608 CH 1H 102J-T	T	142.1/10.4
C712	4030006900	S.CER C1608 JB 1H 103K-T	T	142.1/11.6
C801	4030006860	S.CER C1608 JB 1H 102K-T	T	141.2/8
C802	4030006860	S.CER C1608 JB 1H 102K-T	T	140.1/13.5
C803	4030017810	S.CER C1608 CH 1H 102J-T	T	127.8/8
C804	4030006900	S.CER C1608 JB 1H 103K-T	T	127.8/6.7
C805	4030006900	S.CER C1608 JB 1H 103K-T	T	111.6/19.9
C806	4030017810	S.CER C1608 CH 1H 102J-T	T	110.3/19.9
C807	4030006900	S.CER C1608 JB 1H 103K-T	T	127.8/12.3
C808	4030017810	S.CER C1608 CH 1H 102J-T	T	127.8/10.9
C809	4030006860	S.CER C1608 JB 1H 102K-T	T	114.8/3
C810	4030006900	S.CER C1608 JB 1H 103K-T	T	112.9/2.7
C812	4030006860	S.CER C1608 JB 1H 102K-T	T	102.7/18
C813	4030006860	S.CER C1608 JB 1H 102K-T	T	106.4/22.2
C814	4030017810	S.CER C1608 CH 1H 102J-T	T	101.7/20.6
C815	4030006900	S.CER C1608 JB 1H 103K-T	T	102.9/20.6
C816	4030006900	S.CER C1608 JB 1H 103K-T	T	115.3/14.9
C817	4030006860	S.CER C1608 JB 1H 102K-T	T	111.4/14.9
C819	4030006900	S.CER C1608 JB 1H 103K-T	T	110.8/6.8
C820	4030017810	S.CER C1608 CH 1H 102J-T	T	110.8/8.1
C821	4030017810	S.CER C1608 CH 1H 102J-T	T	110.8/12
C822	4030006900	S.CER C1608 JB 1H 103K-T	T	110.8/10.7
C823	4030006900	S.CER C1608 JB 1H 103K-T	T	107.7/16.9
C824	4030017810	S.CER C1608 CH 1H 102J-T	T	106.4/16.9
C825	4030017810	S.CER C1608 CH 1H 102J-T	T	138.8/7.9
C826	4030006900	S.CER C1608 JB 1H 103K-T	T	137.6/7.9
C1001	4030006860	S.CER C1608 JB 1H 102K-T	B	24.8/20.1
C1002	4030006860	S.CER C1608 JB 1H 102K-T	B	22.3/18.9
C1003	4030006860	S.CER C1608 JB 1H 102K-T	B	21.5/17.7
C1004	4030006860	S.CER C1608 JB 1H 102K-T	B	22.3/16.5
C1005	4030006860	S.CER C1608 JB 1H 102K-T	B	21.5/15.3
C1006	4030006860	S.CER C1608 JB 1H 102K-T	B	22.3/14.1
C1007	4030006860	S.CER C1608 JB 1H 102K-T	B	21.5/12.9
C1008				

[ANT UNIT]

REF NO.	ORDER NO.	DESCRIPTION	M.	H/V LOCATION
EP1008	6910015970	S.BEA MMZ1608B 301CT-AS	T	22.3/11.7
EP1009	6910015970	S.BEA MMZ1608B 301CT-AS	T	22.3/10.5
EP1010	6910015970	S.BEA MMZ1608B 301CT-AS	T	22.3/9.3
EP1101	6910015970	S.BEA MMZ1608B 301CT-AS	B	28.3/21.1
EP1102	6910015970	S.BEA MMZ1608B 301CT-AS	T	26/18.9
EP1103	6910015970	S.BEA MMZ1608B 301CT-AS	T	28.7/18.2
EP1104	6910014730	S.BEA MPZ2012S331A-T	T	26.3/16.9
EP1105	6910015970	S.BEA MMZ1608B 301CT-AS	T	26.1/15.3
EP1106	6910015970	S.BEA MMZ1608B 301CT-AS	T	26/14.1
EP1107	6910015970	S.BEA MMZ1608B 301CT-AS	T	26/12.9
EP1108	6910015970	S.BEA MMZ1608B 301CT-AS	T	26/11.7
EP1109	6910015970	S.BEA MMZ1608B 301CT-AS	T	26/10.5
EP1110	6910015970	S.BEA MMZ1608B 301CT-AS	B	26/9.3
EP1201	6910014730	S.BEA MPZ2012S331A-T	T	29.6/16.5

[ANT UNIT]

REF NO.	ORDER NO.	DESCRIPTION	M.	H/V LOCATION
Q1301	1560000491	S.FET 2SK508-T2B-A K52	T	5.3/9.7
Q1302	1530003550	S.TR 2SC5193-T1	T	8/18.4
Q1303	1530002060	S.TR 2SC4081 T106 R	B	6.5/16.1
D1301	1720000261	S.VCP 1SV214 (TPH2,F)	T	33.7/10.1
D1302	1720000261	S.VCP 1SV214 (TPH2,F)	T	33.7/17.5
D1303	1720000261	S.VCP 1SV214 (TPH2,F)	T	33.7/11.8
D1304	1720000261	S.VCP 1SV214 (TPH2,F)	T	33.7/19.3
D1307	1790001621	S.DIO 1SV308 (TPL3,F)	T	2.3/26.7
D1308	1790001621	S.DIO 1SV308 (TPL3,F)	T	1.4/24.9
L1301	6200010780	S.COL C2520C-1R0G-A	T	2.2/31.4
L1302	6200010740	S.COL C2520C-R27G-A	T	35.7/5
L1303	6200010740	S.COL C2520C-R27G-A	T	34/14.3
L1304	6200010740	S.COL C2520C-R27G-A	T	34.3/21.7
L1305	6200010740	S.COL C2520C-R27G-A	T	6/12.9
L1305	6200002041	S.COL NLV25T-101J	T	2.3/13.6
L1306	6200010780	S.COL C2520C-1R0G-A	T	8/28.7
R1301	7030003460	S.RES ERJ3GEYJ 152 V (1.5 k)	T	3.1/35.2
R1011	7030009961	S.RES ERA3YED 221V (220)	T	38/6.8
R1302	7030003310	S.RES ERJ3GEYJ 820 V (82)	T	5.2/15.2
R1303	7030003440	S.RES ERJ3GEYJ 102 V (1 k)	B	5.9/13.8
R1304	7030003510	S.RES ERJ3GEYJ 392 V (3.9 k)	T	8/16.5
R1305	7030003460	S.RES ERJ3GEYJ 152 V (1.5 k)	T	8/15.2
R1306	7030003320	S.RES ERJ3GEYJ 101 V (100)	T	8/20.3
R1307	7030003320	S.RES ERJ3GEYJ 101 V (100)	T	7.2/24.9
R1308	7030003240	S.RES ERJ3GEYJ 220 V (22)	T	9.3/24.5
C1301	4030017810	S.CER C1608 CH 1H 102J-T	T	2.2/28.2
C1301	4030011340	S.CER C1608 CH 1H 471J-T	T	40.4/7
C1302	4550003250	S.TAN TEESVA 1V 474M8R	T	39.6/3.8
C1303	4030007010	S.CER C1608 CH 1H 100D-T	T	31.2/14.3
C1303	4030007020	S.CER C1608 CH 1H 120J-T	T	31.2/14.3
C1304	4030011340	S.CER C1608 CH 1H 471J-T	T	2.3/10.6
C1305	4030011340	S.CER C1608 CH 1H 471J-T	T	2.3/9.3
C1306	4030009530	S.CER C1608 CH 1H 030B-T	T	7.6/9.9
C1307	4030009530	S.CER C1608 CH 1H 030B-T	T	2.3/7.9
C1308	4030009510	S.CER C1608 CH 1H 010B-T	T	8.8/13
C1309	4550007860	S.TAN TMCMB1C336MTR	B	8.3/19.8
C1310	4030017810	S.CER C1608 CH 1H 102J-T	T	8/21.6
C1311	4030011600	S.CER C1608 JB 1E 104K-T	T	8/22.9
C1312	4030017810	S.CER C1608 CH 1H 102J-T	T	9.3/25.8
C1313	4030017810	S.CER C1608 CH 1H 102J-T	T	8/32.7
C1314	4030017490	S.CER C1608 JB 1A 105K-T	B	8.5/13.9
J1302	6910003841	CNR IMSA-9230B-1-05Z003-PT1		
J1304	6910003851	CNR IMSA-9230B-1-06Z003-PT1		

[VCO-B BOARD]

REF NO.	ORDER NO.	DESCRIPTION	M.	H/V LOCATION
Q1201	1560000491	S.FET 2SK508-T2B-A K52	T	5.3/9.7
Q1202	1530003550	S.TR 2SC5193-T1	T	8/18.4
Q1203	1530002060	S.TR 2SC4081 T106 R	B	6.6/15.8
D1201	1720000261	S.VCP 1SV214 (TPH2,F)	T	32.8/9.1
D1202	1720000261	S.VCP 1SV214 (TPH2,F)	T	32.8/15.8
D1203	1720000261	S.VCP 1SV214 (TPH2,F)	T	31/9.1
D1204	1720000261	S.VCP 1SV214 (TPH2,F)	T	31/15.8
D1205	1720000261	S.VCP 1SV214 (TPH2,F)	T	29.3/9.1
D1206	1720000261	S.VCP 1SV214 (TPH2,F)	T	29.3/15.8
D1207	1750000581	S.DIO 1SV307 (TPH3,F)	T	2.5/25
D1208	1750000581	S.DIO 1SV307 (TPH3,F)	T	1.4/27.4
L1201	6200010780	S.COL C2520C-1R0G-A	T	35.9/6.6
L1202	6200010870	S.COL C2520C-R33G-A (0.33U)	T	34/12.5
L1204	6200010780	S.COL C2520C-1R0G-A	T	6/13
L1205	6200002041	S.COL NLV25T-101J	T	2.3/13.6
L1206	6200010780	S.COL C2520C-1R0G-A	T	8/28.7
R1202	7030003380	S.RES ERJ3GEYJ 331 V (330)	T	5.2/15.3
R1203	7030003440	S.RES ERJ3GEYJ 102 V (1 k)	B	5.8/13.6
R1204	7030003510	S.RES ERJ3GEYJ 392 V (3.9 k)	T	8/16.5
R1205	7030003460	S.RES ERJ3GEYJ 152 V (1.5 k)	T	8/15.3
R1206	7030003320	S.RES ERJ3GEYJ 101 V (100)	T	8/20.3
R1207	7030003320	S.RES ERJ3GEYJ 101 V (100)	T	7.2/24.9
R1208	7030003240	S.RES ERJ3GEYJ 220 V (22)	T	9.3/24.4
C1201	4030011340	S.CER C1608 CH 1H 471J-T	T	37.6/10
C1204	4030011340	S.CER C1608 CH 1H 471J-T	T	2.3/10.6
C1205	4030011340	S.CER C1608 CH 1H 471J-T	T	2.9/8.5
C1206	4030009350	S.CER C1608 CH 1H 3R5B-T	T	7.6/9.9
C1207	4030009910	S.CER C1608 CH 1H 040B-T	T	4.3/7
C1208	4030009510	S.CER C1608 CH 1H 010B-T	T	8.8/13
C1209	4550007860	S.TAN TMCMB1C336MTR	B	8.6/19.4
C1210	4030017810	S.CER C1608 CH 1H 102J-T	T	8/21.6
C1211	4030011600	S.CER C1608 JB 1E 104K-T	T	8/22.9
C1212	4030017810	S.CER C1608 CH 1H 102J-T	T	9.3/25.8
C1213	4030017810	S.CER C1608 CH 1H 102J-T	T	8/31.7
C1214	4030017490	S.CER C1608 JB 1A 105K-T	B	8.6/13.8
J1202	6910003831	CNR IMSA-9230B-1-04Z003-PT1		
J1204	6910003841	CNR IMSA-9230B-1-05Z003-PT1		

[VCO-C BOARD]

REF NO.	ORDER NO.	DESCRIPTION	M.	H/V LOCATION
Q1101	1560000491	S.FET 2SK508-T2B-A K52	T	5.3/9.7
Q1102	1530003550	S.TR 2SC5193-T1	T	8/18.4
Q1103	1530002060	S.TR 2SC4081 T106 R	B	6.3/16.1
D1101	1720000801	S.VCP 1SV290 (TPH3,F)	T	33.2/9.6
D1102	1720000801	S.VCP 1SV290 (TPH3,F)	T	33/15.5
D1103	1720000801	S.VCP 1SV290 (TPH3,F)	T	32/9.6
D1104	1720000801	S.VCP 1SV290 (TPH3,F)	T	31.8/15.5
D1105	1720000801	S.VCP 1SV290 (TPH3,F)	T	30.8/9.6
D1106	1720000801	S.VCP 1SV290 (TPH3,F)	T	30.6/15.5
L1101	6200010960	S.COL C2520C-R47G-A (0.47U)	T	35.9/6.6
L1102	6200010960	S.COL C2520C-R47G-A (0.47U)	T	34/12.5
L1104	6200010780	S.COL C2520C-1R0G-A	T	6/13
L1105	6200002041	S.COL NLV25T-101J	T	2.3/13.6
L1106	6200010780	S.COL C2520C-1R0G-A	T	8/28.7
R1102	7030003380	S.RES ERJ3GEYJ 331 V (330)	T	5.2/15.3
R1103	7030003440	S.RES ERJ3GEYJ 102 V (1 k)	B	6.2/13.7
R1104	7030003510	S.RES ERJ3GEYJ 392 V (3.9 k)	T	8/16.5
R1105	7030003460	S.RES ERJ3GEYJ 152 V (1.5 k)	T	8/15.3
R1106	7030003320	S.RES ERJ3GEYJ 101 V (100)	T	8/20.3
R1107	7030003320	S.RES ERJ3GEYJ 101 V (100)	T	7.2/24.9
R1108	7030003240	S.RES ERJ3GEYJ 220 V (22)	T	9.3/24.3
C1101	4030011340	S.CER C1608 CH 1H 471J-T	T	36.1/10
C1104	4030011340	S.CER C1608 CH 1H 471J-T	T	2.3/10.6
C1105	4030011340	S.CER C1608 CH 1H 471J-T	T	2.9/8.5
C1106	4030007010	S.CER C1608 CH 1H 100D-T	T	7.6/9.9
C1107	4030011770	S.CER C1608 CH 1H 060B-T	T	4.3/7
C1108	4030009510	S.CER C1608 CH 1H 010B-T	T	8.8/13
C1109	4550007860	S.TAN TMCMB1C336MTR	B	8.3/19.5
C1110	4030017810	S.CER C1608 CH 1H 102J-T	T	8/21.6
C1111	4030011600	S.CER C1608 JB 1E 104K-T	T	8/22.9
C1112	4030017810	S.CER C1608 CH 1H 102J-T	T	9.3/25.7
C1113	4030017810	S.CER C1608 CH 1H 102J-T	T	8/31.7
C1114	4030017490	S.CER C1608 JB 1A 105K-T	B	8.8/13.7
C1115	4030007010	S.CER C1608 CH 1H 100D-T	T	29.6/9.5
C1116	4030007010	S.CER C1608 CH 1H 100D-T	T	29.4/15.5
J1102	6910003821	CNR IMSA-9230B-1-03Z003-PT1		
J1104	6910003831	CNR IMSA-9230B-1-04Z003-PT1		

M.=Mounted side (T: Mounted on the Top side B: Mounted on the Bottom side) S.=Surface mount

[LOGIC-A UNIT] (For [USA])

REF NO.	ORDER NO.	DESCRIPTION	M.	H/V LOCATION
IC1	1130014630	S.IC MT48LC16M16A2P-75 IT:D	B	74/106.9
IC2	1130014630	S.IC MT48LC16M16A2P-75 IT:D	T	74/114
IC51	1130011591	S.IC IDT70V24L15PFG	B	110.2/71
IC52	1140009781	S.IC XC9572XL-10TQG100C	B	131.2/71
IC53	1110005821	S.IC R3112N281A-TR-F	T	160.2/52
IC54	1130007431	S.IC TC7S14FU(TE85R,F)	T	164.5/51.8
IC55	1130008041	S.IC TC7SH04FU(TE85L,JF)	T	112.6/49.4
IC101	1130011010	S.IC SN74CBTLV3257PWR <ACE>	T	39.9/90.3
IC102	1130006441	S.IC TC7S08F(TE85R,F)	T	76.7/54
IC103	1140011561	S.IC HD6417751RBP200V	T	68.2/79.9
IC104	1130008361	S.IC TC7SHU04FU(TE85L,JF)	T	24.1/75.9
IC105	1130013700	S.IC CY2292FXC (RX-2844H)	T	27.3/84
IC106	1130011110	S.IC TC74VXC04FT(EL)	T	24.7/93.6
IC201	1130014630	S.IC MT48LC16M16A2P-75 IT:D	B	142.7/92.3
IC202	1130014630	S.IC MT48LC16M16A2P-75 IT:D	B	142.8/110.5
IC203	1140011571	S.IC HD64404BTDV	T	112.1/93.4
IC204	1140011581	S.IC ADV7123KSTZ50	B	116.7/134.5
IC205	1130011941	S.IC TC7SZ04F(TE85L,F)	T	111.2/139.8
IC206	1130012150	S.IC SN74A0CT04PWR	B	165.5/94.4
IC207	1130005721	S.IC TC7W04F(TE12L,F)	B	15/67
IC208	1130011951	S.IC UPD16875G-E1-A	B	8.2/67
IC209	1190001920	S.IC AK5355-VT-E2	B	86.7/126.2
IC211	1190001910	S.IC AK4384-VT-E2	B	86.7/133.2
IC212	1130013830	S.IC TC7SA34FU(TE85L,F)	B	106.9/122.1
IC401	1130010970	S.IC PCI1410APGE	B	38.2/63.5
IC402	1130011960	S.IC TP52211AIDBR	B	36.5/46.2
IC403	1130009570	S.IC BR93LC46F-WE2	T	38.9/81.8
IC404	1130010990	S.IC RTL8139C+ <GMI>	B	37.7/91.5
IC405	1130013830	S.IC TC7SA34FU(TE85L,F)	T	39.1/56.7
IC601	1130012781	S.IC SN74AHC2G04HDCT3	B	53.6/36.6
IC604	1140011590	S.IC HD64F2377V7FQ33V (EMPTY)	B	101.7/45.5
IC605	1140009781	S.IC XC9572XL-10TQG100C	B	155.7/72
IC607	1130006441	S.IC TC7S08F(TE85R,F)	B	74.3/37.6
IC608	1130006441	S.IC TC7S08F(TE85R,F)	B	78/37.6
IC609	1130005252	S.IC TC74HC08AF(EL,F)	B	74.7/44.8
IC610	1130015080	S.IC R1EX24512ASAS0A	B	64.7/50
IC801	1180001251	S.IC TA7808F(TE16L,Q)	B	176.5/150.4
IC802	1180001071	S.IC TA7805F(TE16L,Q)	B	190.5/138
IC803	1180001071	S.IC TA7805F(TE16L,Q)	B	23.8/5.2
IC804	1180002020	S.REG BA033FP-E2	B	182.1/38.2
IC805	1180002601	S.REG TA48015F(TE16LI,NQ)	B	15.7/15
IC806	1180001071	S.IC TA7805F(TE16L,Q)	B	50.8/147.3
IC855	1190002140	S.IC SAA7115HLV1	T	136.3/136.1
IC856	1190002150	S.IC SAA7105HV1	B	140.5/35.3
IC923	1130012000	S.IC M62352AGP C60Q	T	17/132.9
IC1001	1110003870	S.IC NJM2058M-TE1-#ZZZB	B	29.3/127.5
IC1031	1110005080	S.IC NJM2246M-TE1-#ZZZB	T	164.3/131.3
Q601	1530002060	S.TRA 2SC4081 T106 R	B	48.2/37.8
Q602	1510000510	S.TRA 2SA1576A T106R	B	48.2/37.7
Q1031	1530002060	S.TRA 2SC4081 T106 R	T	171.5/137.1
Q1032	1590003930	S.TRA UMD22N TR	T	37.3/24.4
D201	1790000980	S.DIO MA3J7420GL(TX)	B	116.7/144.5
D202	1790000980	S.DIO MA3J7420GL(TX)	B	116.7/147.7
D203	1790000980	S.DIO MA3J7420GL(TX)	B	116.6/150.6
D204	1790000980	S.DIO MA3J7420GL(TX)	B	174.6/102.5
D205	1790000980	S.DIO MA3J7420GL(TX)	B	174.6/99.7
D206	1790000980	S.DIO MA3J7420GL(TX)	B	27.3/36.4
D207	1790000980	S.DIO MA3J7420GL(TX)	B	27.3/33.9
D601	1750000550	S.DIO 1SS355 TE-17	B	45.8/37
D653	1750000550	S.DIO 1SS355 TE-17	T	159.9/82.2
D657	1750000550	S.DIO 1SS355 TE-17	T	150.9/82.2
X101	6050011610	S.XTA CR-751 SMD-49 25.000 MHz	T	17.6/78.1
X201	6050010680	S.XTA CR-628 SMD-49 24.576 MHz	T	119.6/109.6
X202	6050011910	S.XTA CR-780 DSX530G 48 MHz	T	115.2/76.7
X601	6050011810	S.XTA CR-755 SMD-49 15.9744 MHz	T	96.6/28.6
L101	6200004940	S.COI MLF1608D R27K-T	T	19.8/92.2
L102	6200004940	S.COI MLF1608D R27K-T	T	22.1/97
L103	6200004940	S.COI MLF1608D R27K-T	T	29.6/94
L203	6200002631	S.COI NLV25T-R10J	B	120.2/145.8
L204	6200002631	S.COI NLV25T-R10J	B	120.2/152.2
L205	6200002631	S.COI NLV25T-R10J	B	113/150
L380	6200004961	S.COI NLV25T-R33J	T	109.5/120.8
L381	6200004961	S.COI NLV25T-R33J	T	106.6/123
L382	6200004961	S.COI NLV25T-R33J	B	103.8/118.3
L383	6200004961	S.COI NLV25T-R33J	B	100.4/118.3
L561	6200003091	S.COI NLV32T-2R7J	B	157.6/34
L562	6200003091	S.COI NLV32T-2R7J	B	157.7/39.8
L826	6180003321	S.COI SLF6028T-150M1R0-PF	T	178.8/77.5
L901	6200003241	S.COI NLV32T-221J	B	5/104.7
L962	6200002041	S.COI NLV25T-101J	T	29.1/11.3
R1	7030003520	S.RES ERJ3GEYJ 472 V (4.7K)	T	106.3/116.3
R2	7030003560	S.RES ERJ3GEYJ 103 V (10K)	T	107.6/116.3
R51	7030003520	S.RES ERJ3GEYJ 472 V (4.7K)	T	164/102.4
R52	7030003560	S.RES ERJ3GEYJ 103 V (10K)	T	156.6/51.8
R59	7030003260	S.RES ERJ3GEYJ 330 V (33)	T	136.2/73.4
R101	7030003680	S.RES ERJ3GEYJ 104 V (100K)	T	34/90.2
R102	7030003520	S.RES ERJ3GEYJ 472 V (4.7K)	T	45.7/88.7
R103	7030003520	S.RES ERJ3GEYJ 472 V (4.7K)	T	45.7/90.7
R104	7030003520	S.RES ERJ3GEYJ 472 V (4.7K)	T	34.5/88.3
R105	7030003520	S.RES ERJ3GEYJ 472 V (4.7K)	T	34/91.5
R106	7030003560	S.RES ERJ3GEYJ 103 V (10K)	B	69.3/75.1
R107	7030003560	S.RES ERJ3GEYJ 103 V (10K)	B	64.1/75.1
R108	7030003560	S.RES ERJ3GEYJ 103 V (10K)	B	63.1/64.5
R109	7030003560	S.RES ERJ3GEYJ 103 V (10K)	B	66.7/73.8
R110	7030003560	S.RES ERJ3GEYJ 103 V (10K)	T	69.6/64.3
R111	7030003560	S.RES ERJ3GEYJ 103 V (10K)	B	69.3/73.8
R112	7030003560	S.RES ERJ3GEYJ 103 V (10K)	T	68.3/64.3
R113	7030003560	S.RES ERJ3GEYJ 103 V (10K)	B	64.1/73.8
R114	7030003560	S.RES ERJ3GEYJ 103 V (10K)	B	60.5/64.5
R115	7030003560	S.RES ERJ3GEYJ 103 V (10K)	B	64.1/77.7
R116	7030003560	S.RES ERJ3GEYJ 103 V (10K)	B	64.1/76.4
R117	7030003260	S.RES ERJ3GEYJ 330 V (33)	B	57.9/62.5
R118	7030003560	S.RES ERJ3GEYJ 103 V (10K)	B	64.1/79
R119	7030003560	S.RES ERJ3GEYJ 103 V (10K)	B	55.9/65
R120	7030003560	S.RES ERJ3GEYJ 103 V (10K)	B	64.1/80.3
R121	7030003560	S.RES ERJ3GEYJ 103 V (10K)	B	57.9/61.9
R122	7030003560	S.RES ERJ3GEYJ 103 V (10K)	B	54/71
R123	7030003560	S.RES ERJ3GEYJ 103 V (10K)	B	57.9/60.6
R124	7030003680	S.RES ERJ3GEYJ 104 V (100K)	T	65.7/64.3
R125	7030003520	S.RES ERJ3GEYJ 472 V (4.7K)	T	67/64.3
R126	7030003560	S.RES ERJ3GEYJ 103 V (10K)	B	66.7/76.4
R127	7030003560	S.RES ERJ3GEYJ 103 V (10K)	B	66.7/75.1
R128	7030003560	S.RES ERJ3GEYJ 103 V (10K)	T	68.3/60.7
R129	7030003560	S.RES ERJ3GEYJ 103 V (10K)	T	69.6/61.7
R130	7030003560	S.RES ERJ3GEYJ 103 V (10K)	B	71.1/65.5
R131	7030003560	S.RES ERJ3GEYJ 103 V (10K)	B	69.3/76.4
R132	7030003560	S.RES ERJ3GEYJ 103 V (10K)	T	70.9/64.3
R133	7030003560	S.RES ERJ3GEYJ 103 V (10K)	T	70.9/61.7
R134	7030003200	S.RES ERJ3GEYJ 100 V (10)	B	71.9/73.8
R135	7030003200	S.RES ERJ3GEYJ 100 V (10)	B	71.9/75.1
R136	7030003200	S.RES ERJ3GEYJ 100 V (10)	B	84.8/65.5
R137	7030004050	S.RES ERJ3GEYJ 1R0 V (1)	B	64.1/83
R138	7030003560	S.RES ERJ3GEYJ 103 V (10K)	B	64.1/84.3
R139	7030003560	S.RES ERJ3GEYJ 103 V (10K)	B	64.4/93
R140	7410000990	S.ARR EXB-V8V 470JV (47)	T	61.7/97.7
R141	7410000990	S.ARR EXB-V8V 470JV (47)	T	58/97.7
R142	7410000990	S.ARR EXB-V8V 470JV (47)	T	69.1/97.7
R143	7410000990	S.ARR EXB-V8V 470JV (47)	T	76.5/97.7
R144	7410000990	S.ARR EXB-V8V 470JV (47)	T	65.4/97.7
R145	7410000990	S.ARR EXB-V8V 470JV (47)	T	72.8/97.7
R146	7030003280	S.RES ERJ3GEYJ 470 V (47)	T	84.7/96.7
R147	7030003280	S.RES ERJ3GEYJ 470 V (47)	T	84.7/95.4
R148	7410000990	S.ARR EXB-V8V 470JV (47)	T	80.2/97.7
R149	7410000990	S.ARR EXB-V8V 470JV (47)	T	84.7/69.9
R150	7410000990	S.ARR EXB-V8V 470JV (47)	T	84.7/73.6
R151	7410000990	S.ARR EXB-V8V 470JV (47)	T	84.7/77.3
R152	7410000990	S.ARR EXB-V8V 470JV (47)	T	84.7/81
R153	7030003200	S.RES ERJ3GEYJ 100 V (10)	T	84.7/98
R154	7410000990	S.ARR EXB-V8V 470JV (47)	T	84.7/84.7
R155	7410000990	S.ARR EXB-V8V 470JV (47)	T	84.7/88.4
R156	7410000990	S.ARR EXB-V8V 470JV (47)	T	84.7/92.9
R157	7410000800	S.ARR EXB-V8V 103JV (10K)	T	92.1/53.7
R158	7030003560	S.RES ERJ3GEYJ 103 V (10K)	T	91.4/49.8
R159	7030003560	S.RES ERJ3GEYJ 103 V (10K)	T	79/56.3
R161	7030003250	S.RES ERJ3GEYJ 270 V (27)	T	23.8/79.6
R162	7030003800	S.RES ERJ3GEYJ 105 V (1M)	T	20.9/76.7
R163	7030003320	S.RES ERJ3GEYJ 101 V (100)	T	27.2/90.2
R164	7030003250	S.RES ERJ3GEYJ 270 V (27)	B	25.5/83.3
R165	7030003340	S.RES ERJ3GEYJ 151 V (150)	T	21.5/73.5
R168	7030003430	S.RES ERJ3GEYJ 821 V (820)	T	33.2/81.3
R169	7030003330	S.RES ERJ3GEYJ 121 V (120)	T	34/84.2
R170	7030003600	S.RES ERJ3GEYJ 223 V (22K)	B	53.9/55.3
R171	7030003600	S.RES ERJ3GEYJ 223 V (22K)	B	50/90.2
R172	7030003600	S.RES ERJ3GEYJ 223 V (22K)	B	50/91.5
R173	7030003600	S.RES ERJ3GEYJ 223 V (22K)	B	53.3/92.3
R174	7030003600	S.RES ERJ3GEYJ 223 V (22K)	B	53.3/93.5
R175	7030003600	S.RES ERJ3GEYJ 223 V (22K)	B	53.3/95
R176	7030003600	S.RES ERJ3GEYJ 223 V (22K)	B	50/88.9
R201	7030003720	S.RES ERJ3GEYJ 224 V (220K)	T	128.2/109.9
R202	7030003720	S.RES ERJ3GEYJ 224 V (220K)	T	129.5/109.9
R203	7030003720	S.RES ERJ3GEYJ 224 V (220K)	T	130.8/109.9
R204	7030003720	S.RES ERJ3GEYJ 224 V (220K)	T	132.1/109.9
R205	7030003720	S.RES ERJ3GEYJ 224 V (220K)	T	133.4/109.9
R206	7030003720	S.RES ERJ3GEYJ 224 V (220K)	T	134.7/109.9
R207	7030003720	S.RES ERJ3GEYJ 224 V (220K)	T	136/109.9
R208	7030003720	S.RES ERJ3GEYJ 224 V (220K)	T	137.3/109.9
R209	7030003720	S.RES ERJ3GEYJ 224 V (220K)	T	129.2/100.6
R212	7030003640	S.RES ERJ3GEYJ 473 V (47K)	T	98.4/97.8
R213	7030003640	S.RES ERJ3GEYJ 473 V (47K)	T	98.4/99.1
R218	7030003520	S.RES ERJ3GEYJ 472 V (4.7K)	T	134.2/67.2
R219	7030003520	S.RES ERJ3GEYJ 472 V (4.7K)	T	99.2/94.4
R220	7030003520	S.RES ERJ3GEYJ 472 V (4.7K)	B	108.8/89.4
R221	7030003560	S.RES ERJ3GEYJ 103 V (10K)	T	98.4/88.7
R225	7030003560	S.RES ERJ3GEYJ 103 V (10K)	B	108.8/94.6
R226	7030003560	S.RES ERJ3GEYJ 103 V (10K)	B	108.8/95.9
R227	7030003560	S.RES ERJ3GEYJ 103 V (10K)	T	106.7/113.2
R228	7030003560	S.RES ERJ3GEYJ 103 V (10K)	T	106.7/110.2
R229	7030003560	S.RES ERJ3GEYJ 103 V (10K)	T	106.2/107.2
R230	7030003560	S.RES ERJ3GEYJ 103 V (10K)	T	108/110.2
R231	7030003560	S.RES ERJ3GEYJ 103 V (10K)	T	107.6/107.2
R232	7030003560	S.RES ERJ3GEYJ 103 V (10K)	B	108.1/98.2
R233	7030003560	S.RES ERJ3GEYJ 103 V (10K)	T	108/113.2
R234	703000356			

[LOGIC-A UNIT] (For [USA])

REF NO.	ORDER NO.	DESCRIPTION	M.	H/V LOCATION
R250	7030003560	S.RES ERJ3GEYJ 103 V (10K)	T	102.2/79.7
R251	7030003560	S.RES ERJ3GEYJ 103 V (10K)	T	104.8/76.6
R252	7030003560	S.RES ERJ3GEYJ 103 V (10K)	T	102.2/76.6
R253	7030003560	S.RES ERJ3GEYJ 103 V (10K)	T	98.4/90
R254	7030003560	S.RES ERJ3GEYJ 103 V (10K)	T	103.5/79.7
R255	7030003560	S.RES ERJ3GEYJ 103 V (10K)	T	100.9/76.6
R256	7030003560	S.RES ERJ3GEYJ 103 V (10K)	B	111.4/92
R257	7030003560	S.RES ERJ3GEYJ 103 V (10K)	T	107.4/79.7
R258	7030003560	S.RES ERJ3GEYJ 103 V (10K)	B	111.4/93.3
R259	7030003560	S.RES ERJ3GEYJ 103 V (10K)	T	107.4/76.6
R260	7030003560	S.RES ERJ3GEYJ 103 V (10K)	B	111.4/94.6
R261	7030003560	S.RES ERJ3GEYJ 103 V (10K)	T	108.7/76.6
R262	7030003560	S.RES ERJ3GEYJ 103 V (10K)	B	111.4/95.9
R263	7030003560	S.RES ERJ3GEYJ 103 V (10K)	B	108.7/81.6
R264	7030003560	S.RES ERJ3GEYJ 103 V (10K)	B	112.7/87.6
R265	7030003560	S.RES ERJ3GEYJ 103 V (10K)	T	107.4/74
R266	7030003560	S.RES ERJ3GEYJ 103 V (10K)	T	108.7/74
R267	7030003560	S.RES ERJ3GEYJ 103 V (10K)	T	110/79.7
R268	7030003560	S.RES ERJ3GEYJ 103 V (10K)	B	106.1/81.6
R269	7030003560	S.RES ERJ3GEYJ 103 V (10K)	T	108.7/79.7
R270	7030003560	S.RES ERJ3GEYJ 103 V (10K)	T	106.1/76.6
R271	7030003560	S.RES ERJ3GEYJ 103 V (10K)	T	106.1/74
R272	7030003560	S.RES ERJ3GEYJ 103 V (10K)	B	129.4/86.1
R273	7030003560	S.RES ERJ3GEYJ 103 V (10K)	T	128.7/83.2
R274	7030003560	S.RES ERJ3GEYJ 103 V (10K)	B	114.6/94.7
R275	7030003560	S.RES ERJ3GEYJ 103 V (10K)	T	125.7/84.5
R276	7030003560	S.RES ERJ3GEYJ 103 V (10K)	T	121.5/79.8
R277	7030003560	S.RES ERJ3GEYJ 103 V (10K)	T	128.7/81.9
R278	7030003560	S.RES ERJ3GEYJ 103 V (10K)	T	128.7/80.6
R279	7030003560	S.RES ERJ3GEYJ 103 V (10K)	B	114.6/96
R280	7030003560	S.RES ERJ3GEYJ 103 V (10K)	T	128.7/84.5
R281	7030003560	S.RES ERJ3GEYJ 103 V (10K)	B	115.3/90.2
R282	7030003560	S.RES ERJ3GEYJ 103 V (10K)	B	114/90.2
R283	7030003560	S.RES ERJ3GEYJ 103 V (10K)	B	119.2/80.8
R284	7030003560	S.RES ERJ3GEYJ 103 V (10K)	B	120.5/80.8
R285	7030003560	S.RES ERJ3GEYJ 103 V (10K)	B	114.6/93.4
R286	7030003560	S.RES ERJ3GEYJ 103 V (10K)	T	128.7/79.3
R287	7030003560	S.RES ERJ3GEYJ 103 V (10K)	T	118.9/79.8
R288	7030003560	S.RES ERJ3GEYJ 103 V (10K)	T	123.4/78.4
R289	7030003560	S.RES ERJ3GEYJ 103 V (10K)	T	117.6/79.8
R290	7030003560	S.RES ERJ3GEYJ 103 V (10K)	B	114.6/92
R291	7030003560	S.RES ERJ3GEYJ 103 V (10K)	T	120.2/79.8
R292	7030003560	S.RES ERJ3GEYJ 103 V (10K)	B	108.8/90.7
R293	7030003560	S.RES ERJ3GEYJ 103 V (10K)	B	108.8/92
R294	7030003560	S.RES ERJ3GEYJ 103 V (10K)	B	108.8/93.3
R295	7030003640	S.RES ERJ3GEYJ 473 V (47K)	B	111.4/90.7
R296	7030003560	S.RES ERJ3GEYJ 103 V (10K)	T	126/102.7
R299	7030003560	S.RES ERJ3GEYJ 103 V (10K)	T	126/105.3
R300	7030003560	S.RES ERJ3GEYJ 103 V (10K)	T	129.2/105.3
R301	7030003560	S.RES ERJ3GEYJ 103 V (10K)	T	133.2/105.4
R302	7030003560	S.RES ERJ3GEYJ 103 V (10K)	T	129.2/106.6
R305	7030003560	S.RES ERJ3GEYJ 103 V (10K)	T	126/104
R306	7030003560	S.RES ERJ3GEYJ 103 V (10K)	T	126/101.4
R307	7030003560	S.RES ERJ3GEYJ 103 V (10K)	T	129.2/102.2
R308	7030003560	S.RES ERJ3GEYJ 103 V (10K)	T	133.2/104.1
R309	7030003560	S.RES ERJ3GEYJ 103 V (10K)	T	129.2/103.5
R310	7030003560	S.RES ERJ3GEYJ 103 V (10K)	T	125.7/83.2
R311	7030003560	S.RES ERJ3GEYJ 103 V (10K)	B	130.8/86.1
R313	7030003410	S.RES ERJ3GEYJ 561 V (560)	B	123.2/136.5
R314	7030003340	S.RES ERJ3GEYJ 151 V (150)	B	119.8/141.3
R315	7030003340	S.RES ERJ3GEYJ 151 V (150)	B	119.8/142.6
R316	7030003340	S.RES ERJ3GEYJ 151 V (150)	B	119.8/147.7
R317	7030003340	S.RES ERJ3GEYJ 151 V (150)	B	119.8/149
R318	7030003340	S.RES ERJ3GEYJ 151 V (150)	B	113/145
R319	7030003340	S.RES ERJ3GEYJ 151 V (150)	B	113/146.3
R320	7030003240	S.RES ERJ3GEYJ 220 V (22)	B	171.1/102.5
R321	7030003240	S.RES ERJ3GEYJ 220 V (22)	T	171.1/99.7
R322	7030003250	S.RES ERJ3GEYJ 270 V (27)	T	2.2/66.2
R323	7030003250	S.RES ERJ3GEYJ 270 V (27)	T	9.4/65.3
R324	7030003580	S.RES ERJ3GEYJ 153 V (15K)	T	2.2/67.5
R325	7030003580	S.RES ERJ3GEYJ 153 V (15K)	T	9.4/66.6
R326	7030003250	S.RES ERJ3GEYJ 270 V (27)	T	20.1/66.8
R327	7030003250	S.RES ERJ3GEYJ 270 V (27)	T	20.1/69.5
R328	7030003580	S.RES ERJ3GEYJ 153 V (15K)	T	21.4/66.8
R329	7030003580	S.RES ERJ3GEYJ 153 V (15K)	T	21.4/69.5
R330	7030003560	S.RES ERJ3GEYJ 103 V (10K)	B	8.2/70.5
R331	7030003560	S.RES ERJ3GEYJ 103 V (10K)	B	8.2/63.5
R332	7030003640	S.RES ERJ3GEYJ 473 V (47K)	B	84.7/129.7
R333	7030003640	S.RES ERJ3GEYJ 473 V (47K)	B	92.7/125.9
R334	7030003640	S.RES ERJ3GEYJ 473 V (47K)	B	87.8/122.7
R335	7030003200	S.RES ERJ3GEYJ 100 V (10)	B	92/127.2
R340	7030003200	S.RES ERJ3GEYJ 100 V (10)	B	92/135.8
R341	7030003640	S.RES ERJ3GEYJ 473 V (47K)	B	92.7/133.3
R344	7030003520	S.RES ERJ3GEYJ 472 V (4.7K)	B	81.4/130.8
R350	7030003860	S.RES ERJ3GE JPW V	T	134.2/64
R351	7030003860	S.RES ERJ3GE JPW V	B	115.3/98.2
R353	7030003860	S.RES ERJ3GE JPW V	B	185.9/82.2
R355	7030003860	S.RES ERJ3GE JPW V	B	185.9/83.5
R356	7030003860	S.RES ERJ3GE JPW V	B	173.7/82.4
R361	7030003320	S.RES ERJ3GEYJ 101 V (100)	T	108.8/139
R371	7030003560	S.RES ERJ3GEYJ 103 V (10K)	T	112/113.2
R372	7030003560	S.RES ERJ3GEYJ 103 V (10K)	B	116.1/105.8
R373	7030003560	S.RES ERJ3GEYJ 103 V (10K)	B	119.2/105.9
R374	7030003560	S.RES ERJ3GEYJ 103 V (10K)	T	112.9/107.2
R375	7030003560	S.RES ERJ3GEYJ 103 V (10K)	T	112/110.2
R376	7030003560	S.RES ERJ3GEYJ 103 V (10K)	B	111.7/105.7
R377	7030003560	S.RES ERJ3GEYJ 103 V (10K)	T	110.1/74
R378	7030003560	S.RES ERJ3GEYJ 103 V (10K)	T	123.4/79.8
R381	7030003240	S.RES ERJ3GEYJ 220 V (22)	T	107.6/120.5
R382	7030003240	S.RES ERJ3GEYJ 220 V (22)	T	106.3/120.5
R383	7030003280	S.RES ERJ3GEYJ 470 V (47)	B	101.4/120.2
R385	7030003280	S.RES ERJ3GEYJ 470 V (47)	B	117.9/105.9
R386	7030003280	S.RES ERJ3GEYJ 470 V (47)	B	104.2/120.9
R387	7030003280	S.RES ERJ3GEYJ 470 V (47)	B	101.4/121.5

[LOGIC-A UNIT] (For [USA])

REF NO.	ORDER NO.	DESCRIPTION	M.	H/V LOCATION
R388	7030003280	S.RES ERJ3GEYJ 470 V (47)	B	101.4/123.2
R389	7030003280	S.RES ERJ3GEYJ 470 V (47)	B	104.2/122.6
R390	7030003280	S.RES ERJ3GEYJ 470 V (47)	B	123.7/82.2
R391	7030003280	S.RES ERJ3GEYJ 470 V (47)	B	121.8/80.8
R392	7030003280	S.RES ERJ3GEYJ 470 V (47)	B	124.1/83.5
R393	7030003280	S.RES ERJ3GEYJ 470 V (47)	B	113.9/105.1
R394	7030003240	S.RES ERJ3GEYJ 220 V (22)	B	105.6/124.9
R401	7030003320	S.RES ERJ3GEYJ 101 V (100)	B	54.6/59.9
R403	7030003560	S.RES ERJ3GEYJ 103 V (10K)	B	31.2/50.6
R404	7030003560	S.RES ERJ3GEYJ 103 V (10K)	B	37.5/50.6
R405	7030003560	S.RES ERJ3GEYJ 103 V (10K)	B	24.5/56.5
R406	7030003560	S.RES ERJ3GEYJ 103 V (10K)	T	38.2/62
R407	7030003560	S.RES ERJ3GEYJ 103 V (10K)	T	35.6/62
R408	7030003560	S.RES ERJ3GEYJ 103 V (10K)	T	42.8/66.8
R409	7030003560	S.RES ERJ3GEYJ 103 V (10K)	T	37.6/72
R410	7030003560	S.RES ERJ3GEYJ 103 V (10K)	T	35/72
R411	7030003560	S.RES ERJ3GEYJ 103 V (10K)	T	38.9/72
R412	7030003560	S.RES ERJ3GEYJ 103 V (10K)	T	40.2/72
R413	7030003560	S.RES ERJ3GEYJ 103 V (10K)	T	41.5/72
R414	7030003560	S.RES ERJ3GEYJ 103 V (10K)	T	36.3/72
R415	7030003560	S.RES ERJ3GEYJ 103 V (10K)	B	40.3/41.2
R416	7030003560	S.RES ERJ3GEYJ 103 V (10K)	B	39/41.2
R417	7030003560	S.RES ERJ3GEYJ 103 V (10K)	B	37.7/41.2
R418	7030003320	S.RES ERJ3GEYJ 101 V (100)	B	50.8/97.5
R419	7030003440	S.RES ERJ3GEYJ 102 V (10K)	B	26.2/99.4
R420	7030003580	S.RES ERJ3GEYJ 153 V (15K)	B	24.7/98.1
R421	7030003470	S.RES ERJ3GEYJ 182 V (1.8K)	B	27/91.4
R422	7030003250	S.RES ERJ3GEYJ 270 V (27)	B	26.2/89.2
R423	7030003560	S.RES ERJ3GEYJ 103 V (10K)	B	29.3/105.2
R424	7030003560	S.RES ERJ3GEYJ 103 V (10K)	B	26.2/100.7
R425	7030003380	S.RES ERJ3GEYJ 331 V (330)	T	43.3/104.6
R426	7030003380	S.RES ERJ3GEYJ 331 V (330)	T	43.3/103.3
R427	7030003380	S.RES ERJ3GEYJ 331 V (330)	T	43.3/102
R428	7030003320	S.RES ERJ3GEYJ 101 V (100)	T	22.4/108.5
R429	7030003320	S.RES ERJ3GEYJ 101 V (100)	T	23.7/108.5
R430	7030003320	S.RES ERJ3GEYJ 101 V (100)	T	25/108.5
R431	7030003320	S.RES ERJ3GEYJ 101 V (100)	T	26.3/108.5
R432	7030003320	S.RES ERJ3GEYJ 101 V (100)	T	33.4/122.5
R433	7030003320	S.RES ERJ3GEYJ 101 V (100)	T	32.1/122.5
R434	7030003320	S.RES ERJ3GEYJ 101 V (100)	T	30.1/122.5
R435	7030003320	S.RES ERJ3GEYJ 101 V (100)	T	28.8/122.5
R436	7030003340	S.RES ERJ3GEYJ 151 V (150)	T	29.5/108.5
R437	7030003340	S.RES ERJ3GEYJ 151 V (150)	T	30.8/108.5
R438	7030003340	S.RES ERJ3GEYJ 151 V (150)	T	24.4/125.8
R439	7030003340	S.RES ERJ3GEYJ 151 V (150)	T	24.4/124.5
R440	7030003340	S.RES ERJ3GEYJ 151 V (150)	T	24.3/122.5
R441	7030003340	S.RES ERJ3GEYJ 151 V (150)	T	23/122.5
R442	7030003340	S.RES ERJ3GEYJ 151 V (150)	T	21.7/122.5
R443	7030003340	S.RES ERJ3GEYJ 151 V (150)	T	20.4/122.5
R450	7030003860	S.RES ERJ3GE JPW V	T	49.8/52.3
R451	7030003860	S.RES ERJ3GE JPW V	T	36/106.5
R501	7030003260	S.RES ERJ3GEYJ 330 V (33)	T	142.3/123.9
R502	7030003260	S.RES ERJ3GEYJ 330 V (33)	T	139.7/123.9
R503	7030003260	S.RES ERJ3GEYJ 330 V (33)	T	138.4/123.9
R504	7030003260	S.RES ERJ3GEYJ 330 V (33)	T	137.1/123.9
R505	7030003260	S.RES ERJ3GEYJ 330 V (33)	T	135.8/123.9
R506	7030003260	S.RES ERJ3GEYJ 330 V (33)	T	134.5/123.9
R507	7030003260	S.RES ERJ3GEYJ 330 V (33)	T	133.2/123.9
R508	7030003260	S.RES ERJ3GEYJ 330 V (33)	T	130.3/123.9
R509	7030003260	S.RES ERJ3GEYJ 330 V (33)	T	129/123.9
R510	7030003520	S.RES ERJ3GEYJ 472 V (4.7K)	T	127.9/127.6
R511	7030003200	S.RES ERJ3GEYJ 100 V (10)	T	143.6/123.9
R512	7030003230	S.RES ERJ3GEYJ 180 V (18)	T	151/140.3
R513	7030003290	S.RES ERJ3GEYJ 560 V (56)	B	137.4/132.7
R514	7030003290	S.RES ERJ3GEYJ 560 V (56)	B	137.4/134
R515	7030003290	S.RES ERJ3GEYJ 560 V (56)	B	137.4/136.6
R516	7030003290	S.RES ERJ3GEYJ 560 V (56)	B	137.4/137.9
R517	7030003290	S.RES ERJ3GEYJ 560 V (56)	B	137.4/139.2
R518	7030003290	S.RES ERJ3GEYJ 560 V (56)	T	149/141.1
R519	7030003560	S.RES ERJ3GEYJ 103 V (10K)	T	142.8/146.2
R520	7030003560	S.RES ERJ3GEYJ 103 V (10K)	T	140/146.2
R521	7030003560	S.RES ERJ3GEYJ 103 V (10K)	T	140/147.6
R522	7030003860	S.RES ERJ3GE JPW V	T	134.8/147
R523	7030003560			

[LOGIC-A UNIT] (For [USA])

REF NO.	ORDER NO.	DESCRIPTION	M.	H/V LOCATION
R610	7030003440	S.RES ERJ3GEYJ 102 V (1K)	T	95.6/37.3
R611	7030003440	S.RES ERJ3GEYJ 102 V (1K)	T	95.6/39.9
R612	7030003440	S.RES ERJ3GEYJ 102 V (1K)	T	95.6/42.5
R613	7030003860	S.RES ERJ3GE JPW V	T	95.6/45.1
R614	7030003440	S.RES ERJ3GEYJ 102 V (1K)	B	88/41.7
R621	7030003800	S.RES ERJ3GEYJ 105 V (1M)	T	99/42.5
R622	7030003800	S.RES ERJ3GEYJ 105 V (1M)	T	99/39.9
R623	7030003800	S.RES ERJ3GEYJ 105 V (1M)	T	99/37.3
R624	7030003800	S.RES ERJ3GEYJ 105 V (1M)	T	99/34.7
R625	7030003800	S.RES ERJ3GEYJ 105 V (1M)	B	85.4/41.7
R626	7030003640	S.RES ERJ3GEYJ 473 V (47K)	B	88/43.1
R627	7030003640	S.RES ERJ3GEYJ 473 V (47K)	B	81.9/51.4
R628	7030003640	S.RES ERJ3GEYJ 473 V (47K)	B	81.9/50.1
R629	7030003640	S.RES ERJ3GEYJ 473 V (47K)	B	85.9/49.9
R630	7030003520	S.RES ERJ3GEYJ 472 V (4.7K)	B	83.3/47.5
R631	7030003520	S.RES ERJ3GEYJ 472 V (4.7K)	T	82.1/42
R632	7030003520	S.RES ERJ3GEYJ 472 V (4.7K)	T	82.1/45.9
R633	7030003520	S.RES ERJ3GEYJ 472 V (4.7K)	T	82.1/43.3
R634	7030003520	S.RES ERJ3GEYJ 472 V (4.7K)	B	81.9/48.8
R635	7030003520	S.RES ERJ3GEYJ 472 V (4.7K)	T	82.1/44.6
R636	7030003640	S.RES ERJ3GEYJ 473 V (47K)	B	71.9/35.7
R637	7030003640	S.RES ERJ3GEYJ 473 V (47K)	B	78.4/34
R639	7030003640	S.RES ERJ3GEYJ 473 V (47K)	T	113.8/34
R640	7030003640	S.RES ERJ3GEYJ 473 V (47K)	T	112.5/34
R641	7030003640	S.RES ERJ3GEYJ 473 V (47K)	T	111.2/34
R642	7030003640	S.RES ERJ3GEYJ 473 V (47K)	T	109.9/34
R643	7030003600	S.RES ERJ3GEYJ 224 V (22K)	B	69.7/55.4
R644	7030003560	S.RES ERJ3GEYJ 103 V (10K)	B	68.5/55.4
R645	7030003520	S.RES ERJ3GEYJ 472 V (4.7K)	T	109.3/56.3
R646	7030003720	S.RES ERJ3GEYJ 224 V (220K)	B	116.5/56.5
R647	7030003720	S.RES ERJ3GEYJ 224 V (220K)	B	117.5/59.1
R648	7030003720	S.RES ERJ3GEYJ 224 V (220K)	B	118.5/56.5
R649	7030003720	S.RES ERJ3GEYJ 224 V (220K)	B	119.5/59.1
R650	7030003720	S.RES ERJ3GEYJ 224 V (220K)	B	120.5/56.5
R651	7030003720	S.RES ERJ3GEYJ 224 V (220K)	B	121.5/59.1
R652	7030003720	S.RES ERJ3GEYJ 224 V (220K)	B	122.5/56.5
R653	7030003720	S.RES ERJ3GEYJ 224 V (220K)	B	123.4/59.1
R654	7030003520	S.RES ERJ3GEYJ 472 V (4.7K)	B	117.5/54.2
R655	7030003520	S.RES ERJ3GEYJ 472 V (4.7K)	B	117.5/52.7
R658	7030003640	S.RES ERJ3GEYJ 473 V (47K)	T	99/45.1
R661	7030003640	S.RES ERJ3GEYJ 473 V (47K)	T	70.2/27.4
R662	7030003720	S.RES ERJ3GEYJ 224 V (220K)	B	66/30.2
R663	7030003640	S.RES ERJ3GEYJ 473 V (47K)	B	66/27.2
R664	7030003640	S.RES ERJ3GEYJ 473 V (47K)	B	66/26
R665	7030003640	S.RES ERJ3GEYJ 473 V (47K)	B	66/28.6
R666	7030003640	S.RES ERJ3GEYJ 473 V (47K)	B	71.2/18.3
R667	7030003720	S.RES ERJ3GEYJ 224 V (220K)	B	68.5/21.3
R668	7030003640	S.RES ERJ3GEYJ 473 V (47K)	B	67.2/21.3
R669	7030003640	S.RES ERJ3GEYJ 473 V (47K)	B	63/33
R670	7030003640	S.RES ERJ3GEYJ 473 V (47K)	B	72.5/18.3
R671	7030003640	S.RES ERJ3GEYJ 473 V (47K)	B	86.5/9.2
R672	7030003640	S.RES ERJ3GEYJ 473 V (47K)	B	83.9/10.9
R673	7030003640	S.RES ERJ3GEYJ 473 V (47K)	B	74.6/16.3
R674	7030003640	S.RES ERJ3GEYJ 473 V (47K)	B	77.9/12.3
R675	7030003640	S.RES ERJ3GEYJ 473 V (47K)	B	76.5/13.8
R676	7030003640	S.RES ERJ3GEYJ 473 V (47K)	B	79.2/12.3
R677	7030003640	S.RES ERJ3GEYJ 473 V (47K)	B	80.5/12.3
R678	7030003560	S.RES ERJ3GEYJ 103 V (10K)	B	115.9/49.7
R679	7030003560	S.RES ERJ3GEYJ 103 V (10K)	B	76.5/15.6
R680	7030003440	S.RES ERJ3GEYJ 102 V (1K)	T	155.9/77.4
R682	7030003520	S.RES ERJ3GEYJ 472 V (4.7K)	T	46/28.7
R691	7030003640	S.RES ERJ3GEYJ 473 V (47K)	B	80.7/46.3
R701	7030003860	S.RES ERJ3GE JPW V	T	109.3/59.1
R801	7030010610	S.RES ERJ1TYJ 470U (47)	B	171/35.2
R802	7030010910	S.RES ERJ1TYJ 150U (15)	B	36.1/3.3
R803	7030010910	S.RES ERJ1TYJ 150U (15)	B	36.1/7
R804	7030010950	S.RES ERJ1TYJ 100U (10)	B	181.3/141.3
R805	7030010410	S.RES ERJ1TYJ 220U (22)	B	49.1/140.5
R806	7030010410	S.RES ERJ1TYJ 220U (22)	B	49.1/136.8
R813	7030003560	S.RES ERJ3GEYJ 103 V (10K)	T	184.1/79
R871	7030003320	S.RES ERJ3GEYJ 101 V (100)	T	43.4/39.7
R872	7030003320	S.RES ERJ3GEYJ 101 V (100)	T	44.1/31.5
R873	7030003320	S.RES ERJ3GEYJ 101 V (100)	T	44.7/39.7
R874	7030003320	S.RES ERJ3GEYJ 101 V (100)	T	45.4/31.5
R875	7030003320	S.RES ERJ3GEYJ 101 V (100)	T	46/39.7
R876	7030003320	S.RES ERJ3GEYJ 101 V (100)	T	46.7/31.5
R877	7030003320	S.RES ERJ3GEYJ 101 V (100)	T	47.3/39.7
R878	7030003320	S.RES ERJ3GEYJ 101 V (100)	T	48/31.5
R879	7030003320	S.RES ERJ3GEYJ 101 V (100)	T	48.6/39.7
R880	7030003320	S.RES ERJ3GEYJ 101 V (100)	T	49.3/31.5
R881	7030003320	S.RES ERJ3GEYJ 101 V (100)	T	49.9/39.7
R882	7030003320	S.RES ERJ3GEYJ 101 V (100)	T	50.6/31.5
R883	7030003320	S.RES ERJ3GEYJ 101 V (100)	T	51.2/39.7
R884	7030003320	S.RES ERJ3GEYJ 101 V (100)	T	51.9/31.5
R885	7030003320	S.RES ERJ3GEYJ 101 V (100)	T	52.5/39.7
R886	7030003320	S.RES ERJ3GEYJ 101 V (100)	T	53.2/31.5
R887	7030003320	S.RES ERJ3GEYJ 101 V (100)	T	53.8/39.7
R888	7030003320	S.RES ERJ3GEYJ 101 V (100)	T	55.1/39.7
R889	7030003320	S.RES ERJ3GEYJ 101 V (100)	T	54.5/31.5
R890	7030003320	S.RES ERJ3GEYJ 101 V (100)	T	56.4/39.7
R891	7030003320	S.RES ERJ3GEYJ 101 V (100)	T	55.8/31.5
R892	7030003320	S.RES ERJ3GEYJ 101 V (100)	T	57.7/39.7
R893	7030003320	S.RES ERJ3GEYJ 101 V (100)	T	57.1/31.5
R894	7030003320	S.RES ERJ3GEYJ 101 V (100)	T	59/39.7
R895	7030003860	S.RES ERJ3GE JPW V	T	58.4/31.5
R896	7030003860	S.RES ERJ3GE JPW V	T	60.3/39.7
R897	7030003860	S.RES ERJ3GE JPW V	T	59.7/31.5
R901	7030003200	S.RES ERJ3GEYJ 100 V (10)	T	8.7/120
R902	7030003860	S.RES ERJ3GE JPW V	B	44.2/38.3
R903	7030003360	S.RES ERJ3GEYJ 221 V (220)	T	8.7/118.7
R904	7030003360	S.RES ERJ3GEYJ 221 V (220)	B	4.2/117.9
R905	7030003360	S.RES ERJ3GEYJ 221 V (220)	T	8.7/117.4
R906	7030003360	S.RES ERJ3GEYJ 221 V (220)	B	4.2/116.6
R907	7030003440	S.RES ERJ3GEYJ 102 V (1K)	T	8.7/116.1

[LOGIC-A UNIT] (For [USA])

REF NO.	ORDER NO.	DESCRIPTION	M.	H/V LOCATION
R908	7030003860	S.RES ERJ3GE JPW V	T	9/114.3
R909	7030003860	S.RES ERJ3GE JPW V	T	9/113
R910	7030003860	S.RES ERJ3GE JPW V	T	9/111.7
R911	7030003860	S.RES ERJ3GE JPW V	T	9/132.9
R912	7030003860	S.RES ERJ3GE JPW V	T	9/131.6
R913	7030003860	S.RES ERJ3GE JPW V	T	9/130.3
R914	7030003860	S.RES ERJ3GE JPW V	T	9/129
R915	7030003440	S.RES ERJ3GEYJ 102 V (1K)	B	10.3/129.9
R916	7030003440	S.RES ERJ3GEYJ 102 V (1K)	B	4/128.1
R917	7030003440	S.RES ERJ3GEYJ 102 V (1K)	B	7.5/132
R918	7030003440	S.RES ERJ3GEYJ 102 V (1K)	B	4/126.8
R919	7030003440	S.RES ERJ3GEYJ 102 V (1K)	B	9.3/125.5
R920	7030003440	S.RES ERJ3GEYJ 102 V (1K)	B	4/125.5
R921	7030003440	S.RES ERJ3GEYJ 102 V (1K)	B	9/129.9
R922	7030003440	S.RES ERJ3GEYJ 102 V (1K)	B	4/124.2
R923	7030003440	S.RES ERJ3GEYJ 102 V (1K)	T	8.6/124.9
R924	7030003440	S.RES ERJ3GEYJ 102 V (1K)	B	4/122.9
R925	7030003440	S.RES ERJ3GEYJ 102 V (1K)	T	8.6/122.3
R926	7030003440	S.RES ERJ3GEYJ 102 V (1K)	B	4/121.6
R927	7030003440	S.RES ERJ3GEYJ 102 V (1K)	B	4/129.4
R928	7030003860	S.RES ERJ3GE JPW V	T	9/110.4
R929	7030003860	S.RES ERJ3GE JPW V	T	9/109.1
R930	7030003360	S.RES ERJ3GEYJ 221 V (220)	T	8.7/106.6
R931	7030003860	S.RES ERJ3GE JPW V	T	62.6/140.9
R932	7030003860	S.RES ERJ3GE JPW V	T	64.6/140.9
R933	7030003360	S.RES ERJ3GEYJ 221 V (220)	T	8.7/104
R938	7030003520	S.RES ERJ3GEYJ 472 V (4.7K)	T	79.3/135.4
R939	7030003520	S.RES ERJ3GEYJ 472 V (4.7K)	T	79.4/136.8
R940	7030003560	S.RES ERJ3GEYJ 103 V (10K)	T	78.8/140.1
R941	7030003320	S.RES ERJ3GEYJ 101 V (100)	T	80.1/141.3
R942	7030003320	S.RES ERJ3GEYJ 101 V (100)	T	83.2/140.9
R943	7030003320	S.RES ERJ3GEYJ 101 V (100)	T	84.5/140.9
R944	7030003320	S.RES ERJ3GEYJ 101 V (100)	T	85.8/140.9
R945	7030003320	S.RES ERJ3GEYJ 101 V (100)	T	87.1/140.9
R946	7030003320	S.RES ERJ3GEYJ 101 V (100)	T	88.4/140.9
R947	7030003320	S.RES ERJ3GEYJ 101 V (100)	T	89.7/140.9
R948	7030003320	S.RES ERJ3GEYJ 101 V (100)	T	91/140.9
R949	7030003200	S.RES ERJ3GEYJ 100 V (10)	T	106.2/140.9
R950	7030003200	S.RES ERJ3GEYJ 100 V (10)	T	104.9/140.9
R951	7030003200	S.RES ERJ3GEYJ 100 V (10)	T	103.6/140.9
R952	7030003200	S.RES ERJ3GEYJ 100 V (10)	T	102.3/140.9
R953	7030003200	S.RES ERJ3GEYJ 100 V (10)	T	101/140.9
R960	7030003440	S.RES ERJ3GEYJ 102 V (1K)	T	27.8/18.6
R961	7030003440	S.RES ERJ3GEYJ 102 V (1K)	T	31/19.4
R962	7030003440	S.RES ERJ3GEYJ 102 V (1K)	T	33.6/19.4
R964	7030003200	S.RES ERJ3GEYJ 100 V (10)	T	177.4/16.2
R965	7030003200	S.RES ERJ3GEYJ 100 V (10)	T	177.4/17.6
R966	7030003360	S.RES ERJ3GEYJ 221 V (220)	T	180/21.2
R967	7030003360	S.RES ERJ3GEYJ 221 V (220)	T	177.3/21.9
R968	7030003360	S.RES ERJ3GEYJ 221 V (220)	T	180/22.6
R969	7030003200	S.RES ERJ3GEYJ 100 V (10)	T	180/18.9
R970	7030003440	S.RES ERJ3GEYJ 102 V (1K)	T	29.7/19.4
R971	7030003440	S.RES ERJ3GEYJ 102 V (1K)	T	32.3/19.4
R972	7030003440	S.RES ERJ3GEYJ 102 V (1K)	T	34.9/19.4
R974	7030003200	S.RES ERJ3GEYJ 100 V (10)	T	180/16.9
R975	7030003200	S.RES ERJ3GEYJ 100 V (10)	T	180/18.3
R976	7030003360	S.RES ERJ3GEYJ 221 V (220)	T	177.4/20.5
R977	7030003360	S.RES ERJ3GEYJ 221 V (220)	T	177.3/23.3
R978	7030003360	S.RES ERJ3GEYJ 221 V (220)	T	183.2/126
R979	7030003360	S.RES ERJ3GEYJ 221 V (220)	T	180.6/125
R980	7030003360	S.RES ERJ3GEYJ 221 V (220)	T	183.2/124
R981	7030003360	S.RES ERJ3GEYJ 221 V (220)	T	180.7/123
R982	7030007230	S.RES ERA3YED 102V (1K)	T	33.4/140.9
R983	7030003440	S.RES ERJ3GEYJ 102 V (1K)	T	29/140.9
R984	7030007230	S.RES ERA3YED 102V (1K)	T	27.7/140.9
R985	7030007230	S.RES ERA3YED 102V (1K)	T	26.4/140.9
R986	7030007230	S.RES ERA3YED 102V (1K)	T	25.1/140.9
R987	7030007230	S.RES ERA3YED 102V (1K)	T	23.8/140.9
R988	7030007230	S.RES ERA3YED 102V (1K)	T	22.5/140.9
R989	7030003360	S.RES ERJ3GEYJ 221 V (220)	T	30/8.3
R990	7030003360	S.RES ERJ3GEYJ 221 V (220)	T	31.3/8.3
R991	7030003360	S.RES ERJ3GEYJ 221 V (220)	T	32.6/8.3
R992	7030003360	S.RES ERJ3GEYJ 221 V (220)	T	33.9/8.3
R993	7030003360	S.RES ERJ3GEYJ 221 V (220)	T	35.2/8.3
R994	7030003360	S.RES ERJ3GEYJ 221 V (220)	T	36.5/8.3
R1001	7030003410	S.RES ERJ3GEYJ 561 V (560)	B	35.6/122.7
R1002	7030003540	S.RES ERJ3GEYJ 682 V (6.8K)	B	32.8/122.7

[LOGIC-A UNIT] (For [USA])

REF NO.	ORDER NO.	DESCRIPTION	M.	H/V LOCATION
R1101	7030003280	S.RES ERJ3GEYJ 470 V (47)	T	18.9/29.8
R1102	7030003280	S.RES ERJ3GEYJ 470 V (47)	T	16.1/30.5
R1103	7030003280	S.RES ERJ3GEYJ 470 V (47)	T	18.9/31.2
R1104	7030003280	S.RES ERJ3GEYJ 470 V (47)	T	16.1/31.9
R1105	7030003280	S.RES ERJ3GEYJ 470 V (47)	T	18.9/32.6
R1106	7030003280	S.RES ERJ3GEYJ 470 V (47)	T	16.1/33.3
R1107	7030003280	S.RES ERJ3GEYJ 470 V (47)	T	18.9/34
R1108	7030003280	S.RES ERJ3GEYJ 470 V (47)	T	16.1/34.7
R1109	7030003280	S.RES ERJ3GEYJ 470 V (47)	T	18.9/35.4
R1110	7030003280	S.RES ERJ3GEYJ 470 V (47)	T	16.1/36.1
R1111	7030003280	S.RES ERJ3GEYJ 470 V (47)	T	18.9/36.8
R1112	7030003280	S.RES ERJ3GEYJ 470 V (47)	T	16.1/37.5
R1113	7030003280	S.RES ERJ3GEYJ 470 V (47)	T	18.9/38.2
R1114	7030003280	S.RES ERJ3GEYJ 470 V (47)	T	16.1/38.9
R1115	7030003280	S.RES ERJ3GEYJ 470 V (47)	T	18.9/39.6
R1116	7030003280	S.RES ERJ3GEYJ 470 V (47)	T	16.1/40.3
R1117	7030003280	S.RES ERJ3GEYJ 470 V (47)	T	18.9/41
R1118	7030003280	S.RES ERJ3GEYJ 470 V (47)	T	16.1/41.7
R1119	7030003280	S.RES ERJ3GEYJ 470 V (47)	T	18.9/42.4
R1120	7030003280	S.RES ERJ3GEYJ 470 V (47)	T	16.1/43.1
R1121	7030003280	S.RES ERJ3GEYJ 470 V (47)	T	18.9/43.8
R1122	7030003280	S.RES ERJ3GEYJ 470 V (47)	T	16.1/44.5
R1123	7030003280	S.RES ERJ3GEYJ 470 V (47)	T	18.9/45.2
R1124	7030003280	S.RES ERJ3GEYJ 470 V (47)	T	16.1/47.2
R1125	7030003280	S.RES ERJ3GEYJ 470 V (47)	T	18.9/47.9
R1126	7030003280	S.RES ERJ3GEYJ 470 V (47)	T	16.1/48.6
R1127	7030003280	S.RES ERJ3GEYJ 470 V (47)	T	18.9/49.3
R1128	7030003280	S.RES ERJ3GEYJ 470 V (47)	T	16.1/50
R1129	7030003280	S.RES ERJ3GEYJ 470 V (47)	T	18.9/50.7
R1130	7030003280	S.RES ERJ3GEYJ 470 V (47)	T	16.1/51.4
R1131	7030003280	S.RES ERJ3GEYJ 470 V (47)	T	18.9/52.1
R1132	7030003280	S.RES ERJ3GEYJ 470 V (47)	T	16.1/52.8
R1133	7030003280	S.RES ERJ3GEYJ 470 V (47)	T	18.9/53.5
R1134	7030003280	S.RES ERJ3GEYJ 470 V (47)	T	16.1/54.2
R1135	7030003280	S.RES ERJ3GEYJ 470 V (47)	T	18.9/54.9
R1136	7030003280	S.RES ERJ3GEYJ 470 V (47)	T	16.1/55.6
R1137	7030003280	S.RES ERJ3GEYJ 470 V (47)	T	18.9/56.3
R1138	7030003280	S.RES ERJ3GEYJ 470 V (47)	T	16.1/57
R1139	7030003280	S.RES ERJ3GEYJ 470 V (47)	T	18.9/57.7
R1140	7030003280	S.RES ERJ3GEYJ 470 V (47)	T	16.1/58.4
R1141	7030003280	S.RES ERJ3GEYJ 470 V (47)	T	18.9/59.1
R1142	7030003280	S.RES ERJ3GEYJ 470 V (47)	T	16.1/59.8
R1143	7030003280	S.RES ERJ3GEYJ 470 V (47)	T	18.9/60.5
R1144	7030003280	S.RES ERJ3GEYJ 470 V (47)	T	16.1/61.2
R1145	7030003280	S.RES ERJ3GEYJ 470 V (47)	T	18.9/61.9
R1146	7030003280	S.RES ERJ3GEYJ 470 V (47)	T	16.1/62.6
R1151	7030003290	S.RES ERJ3GEYJ 560 V (56)	T	175.5/96.6
R1152	7030003320	S.RES ERJ3GEYJ 101 V (100)	T	172.2/95.9
R1153	7030003320	S.RES ERJ3GEYJ 101 V (100)	T	175.5/95.2
R1154	7030003320	S.RES ERJ3GEYJ 101 V (100)	T	172.2/94.5
R1155	7030003320	S.RES ERJ3GEYJ 101 V (100)	T	175.5/93.8
R1156	7030003320	S.RES ERJ3GEYJ 101 V (100)	T	172.2/93.1
R1157	7030003320	S.RES ERJ3GEYJ 101 V (100)	T	175.5/92.4
R1158	7030003320	S.RES ERJ3GEYJ 101 V (100)	T	172.2/91.7
R1159	7030003320	S.RES ERJ3GEYJ 101 V (100)	T	175.5/91
R1160	7030003320	S.RES ERJ3GEYJ 101 V (100)	T	172.2/90.3
R1161	7030003320	S.RES ERJ3GEYJ 101 V (100)	T	175.5/89.6
R1162	7030003320	S.RES ERJ3GEYJ 101 V (100)	T	172.2/88.9
R1163	7030003320	S.RES ERJ3GEYJ 101 V (100)	T	175.5/88.2
R1164	7030003320	S.RES ERJ3GEYJ 101 V (100)	T	172.2/87.5
R1165	7030003320	S.RES ERJ3GEYJ 101 V (100)	T	175.5/86.8
R1166	7030003320	S.RES ERJ3GEYJ 101 V (100)	T	172.2/86.1
R1167	7030003320	S.RES ERJ3GEYJ 101 V (100)	T	175.5/85.4
R1168	7030003320	S.RES ERJ3GEYJ 101 V (100)	T	172.2/84.7
R1169	7030003320	S.RES ERJ3GEYJ 101 V (100)	T	175.5/84
R1170	7030003320	S.RES ERJ3GEYJ 101 V (100)	T	178/82
R1301	7030003860	S.RES ERJ3GE JPW V	T	6.5/10
R1302	7030003860	S.RES ERJ3GE JPW V	T	107.5/21.8
R1303	7030003860	S.RES ERJ3GE JPW V	T	145.5/38.4
R1304	7030003860	S.RES ERJ3GE JPW V	T	12.3/83.5
R1305	7030003860	S.RES ERJ3GE JPW V	T	124.9/146.2
R1306	7030003860	S.RES ERJ3GE JPW V	T	91.7/130.4
R1307	7030003860	S.RES ERJ3GE JPW V	B	153.1/43.1
R1401	7030003360	S.RES ERJ3GEYJ 221 V (220)	T	121.1/27.2
R1402	7030003360	S.RES ERJ3GEYJ 221 V (220)	T	122.5/27.2
R1403	7030003360	S.RES ERJ3GEYJ 221 V (220)	T	123.9/27.2
R1404	7030003360	S.RES ERJ3GEYJ 221 V (220)	T	125.3/27.2
R1405	7030003360	S.RES ERJ3GEYJ 221 V (220)	T	126.7/27.2
R1406	7030003360	S.RES ERJ3GEYJ 221 V (220)	T	128.1/27.2
R1407	7030003360	S.RES ERJ3GEYJ 221 V (220)	T	129.5/27.2
R1408	7030003360	S.RES ERJ3GEYJ 221 V (220)	T	130.9/27.2
R1409	7030003360	S.RES ERJ3GEYJ 221 V (220)	T	132.3/27.2
R1410	7030003360	S.RES ERJ3GEYJ 221 V (220)	T	133.7/27.2
R1411	7030003360	S.RES ERJ3GEYJ 221 V (220)	T	135.1/27.2
C1	4030011600	S.CER C1608 JB 1E 104K-T	B	84.4/98.3
C2	4030011600	S.CER C1608 JB 1E 104K-T	B	82.8/98.3
C3	4030011600	S.CER C1608 JB 1E 104K-T	B	78/98.3
C4	4030011600	S.CER C1608 JB 1E 104K-T	B	74/98.3
C5	4030011600	S.CER C1608 JB 1E 104K-T	B	63.6/98.3
C6	4030011600	S.CER C1608 JB 1E 104K-T	B	81.6/115.4
C7	4030011600	S.CER C1608 JB 1E 104K-T	B	76.8/115.4
C8	4030011600	S.CER C1608 JB 1E 104K-T	T	84.4/122.5
C9	4030011600	S.CER C1608 JB 1E 104K-T	T	82.8/122.5
C10	4030011600	S.CER C1608 JB 1E 104K-T	T	78/122.5
C11	4030011600	S.CER C1608 JB 1E 104K-T	T	74/122.5
C12	4030011600	S.CER C1608 JB 1E 104K-T	T	63.6/122.5
C13	4030011600	S.CER C1608 JB 1E 104K-T	T	78.9/106.7
C14	4030011600	S.CER C1608 JB 1E 104K-T	T	74.2/106.7
C51	4030011600	S.CER C1608 JB 1E 104K-T	B	120.2/69.7
C52	4030011600	S.CER C1608 JB 1E 104K-T	B	110.7/61.1
C53	4030011600	S.CER C1608 JB 1E 104K-T	B	107.8/61.1
C54	4030011600	S.CER C1608 JB 1E 104K-T	B	121.7/66.2

[LOGIC-A UNIT] (For [USA])

REF NO.	ORDER NO.	DESCRIPTION	M.	H/V LOCATION
C55	4030011600	S.CER C1608 JB 1E 104K-T	B	123.4/78.9
C56	4030011600	S.CER C1608 JB 1E 104K-T	B	128.7/80.9
C57	4030011600	S.CER C1608 JB 1E 104K-T	B	142.2/75.7
C58	4030011600	S.CER C1608 JB 1E 104K-T	B	142.2/73.1
C59	4030011600	S.CER C1608 JB 1E 104K-T	B	132.3/60.8
C60	4030011600	S.CER C1608 JB 1E 104K-T	B	126.2/61.1
C61	4030009990	S.CER C1608 CH 1H 200J-T	T	164/101.1
C62	4030011600	S.CER C1608 JB 1E 104K-T	T	157.9/51.8
C63	4030008890	S.CER C1608 JB 1H 273K-T	T	162.5/51.8
C64	4030011600	S.CER C1608 JB 1E 104K-T	T	164.6/53.7
C65	4030011600	S.CER C1608 JB 1E 104K-T	T	115/52
C101	4030011600	S.CER C1608 JB 1E 104K-T	T	39.1/86.9
C102	4030011600	S.CER C1608 JB 1E 104K-T	B	57.9/63.2
C103	4030011600	S.CER C1608 JB 1E 104K-T	B	61.8/93
C104	4030011600	S.CER C1608 JB 1E 104K-T	B	61.5/73.8
C105	4030011600	S.CER C1608 JB 1E 104K-T	B	64.2/86
C106	4030011600	S.CER C1608 JB 1E 104K-T	B	61.5/72.5
C107	4030011600	S.CER C1608 JB 1E 104K-T	B	66.7/72.5
C108	4030011600	S.CER C1608 JB 1E 104K-T	B	72.4/72.5
C109	4030011600	S.CER C1608 JB 1E 104K-T	B	74.3/75.8
C110	4030011600	S.CER C1608 JB 1E 104K-T	B	61.5/83
C111	4550007520	S.TAN F931A106MAABMA	B	72.4/63.8
C112	4030011600	S.CER C1608 JB 1E 104K-T	B	73.7/65.5
C113	4550007520	S.TAN F931A106MAABMA	B	78.3/63.8
C114	4030011600	S.CER C1608 JB 1E 104K-T	B	76.7/65.5
C115	4550007520	S.TAN F931A106MAABMA	B	83.5/63.8
C116	4030011600	S.CER C1608 JB 1E 104K-T	B	79.6/65.5
C117	4030011600	S.CER C1608 JB 1E 104K-T	B	61.6/86
C118	4030011600	S.CER C1608 JB 1E 104K-T	B	61.5/76.4
C119	4030011600	S.CER C1608 JB 1E 104K-T	B	61.5/84.3
C120	4030011600	S.CER C1608 JB 1E 104K-T	B	74.3/84.4
C121	4030011600	S.CER C1608 JB 1E 104K-T	B	72.5/85.2
C122	4030011600	S.CER C1608 JB 1E 104K-T	B	71.2/85.2
C123	4030006860	S.CER C1608 JB 1H 102K-T	B	72/93
C124	4030011600	S.CER C1608 JB 1E 104K-T	B	66.8/86
C125	4030011600	S.CER C1608 JB 1E 104K-T	B	69.4/86
C126	4030011600	S.CER C1608 JB 1E 104K-T	B	61.5/81.7
C127	4030011600	S.CER C1608 JB 1E 104K-T	B	57.9/65.8
C128	4030011600	S.CER C1608 JB 1E 104K-T	B	66.9/65.8
C129	4030011600	S.CER C1608 JB 1E 104K-T	B	60.8/79.8
C130	4030011600	S.CER C1608 JB 1E 104K-T	B	74.3/81.8
C131	4030011600	S.CER C1608 JB 1E 104K-T	B	81.1/83.7
C132	4030011600	S.CER C1608 JB 1E 104K-T	B	74.3/78.6
C133	4030011600	S.CER C1608 JB 1E 104K-T	B	61.8/65.9
C134	4030011600	S.CER C1608 JB 1E 104K-T	B	54/73.6
C135	4030011600	S.CER C1608 JB 1E 104K-T	B	61.5/75.1
C136	4030011600	S.CER C1608 JB 1E 104K-T	B	69.3/72.5
C137	4030011600	S.CER C1608 JB 1E 104K-T	B	64.1/72.5
C138	4030011600	S.CER C1608 JB 1E 104K-T	B	69.4/84.3
C139	4030011600	S.CER C1608 JB 1E 104K-T	B	74.3/73.2
C140	4030006900	S.CER C1608 JB 1H 103K-T	B	81.1/73.5
C141	4030011600	S.CER C1608 JB 1E 104K-T	T	79/53.6
C142	4030011600	S.CER C1608 JB 1E 104K-T	T	91.4/47
C143	4050000290	S.FEE CNF10R102S-TM	T	19.4/89.2
C144	4030011600	S.CER C1608 JB 1E 104K-T	T	27.3/75.7
C145	4030007100	S.CER C1608 CH 1H 560J-T	T	24.1/73.5
C146	4030008560	S.CER C1608 CH 1H 300J-T	T	22.2/77.1
C147	4030007060	S.CER C1608 CH 1H 270J-T	T	21.6/74.8
C148	4030011600	S.CER C1608 JB 1E 104K-T	T	21.4/85.6
C149	4030011600	S.CER C1608 JB 1E 104K-T	T	23.2/90.2
C150	4030007130	S.CER C1608 CH 1H 101J-T	T	26/75.7
C151	4030007130	S.CER C1608 CH 1H 101J-T	T	20.1/85.6
C152	4030007130	S.CER C1608 CH 1H 101J-T	T	52.4/100.3
C153	4030007130	S.CER C1608 CH 1H 101J-T	T	41.7/86.9
C154	4030007130	S.CER C1608 CH 1H 101J-T	T	24.8/88.9
C155	4030007130	S.CER C1608 CH 1H 101J-T	T	93.7/56.2
C156	4030007130	S.CER C1608 CH 1H 101J-T	T	76.9/51.7
C157	4030007130	S.CER C1608 CH 1H 101J-T	T	62.2/123.8
C158	4030007130	S.CER C1608 CH 1H 101J-T	T	74.4/114.8
C159	4030007130	S.CER C1608 CH 1H 101J-T	T	104.8/118.8
C160	4030007130	S.CER C1608 CH 1H 101J-T	T	58.1/119.2
C161	4030007130	S.CER C1608 CH 1H 101J-T	B	144.2/77.5
C162	4030007130	S.CER C1608 CH 1H 101J-T	B	102.4/79.6
C163	4030007130	S.CER C1608 CH 1H 101J-T	T	110.7/49.2
C164	4030007130	S.CER C1608 CH 1H 101J-T	T	166.7/

[LOGIC-A UNIT] (For [USA])

REF NO.	ORDER NO.	DESCRIPTION	M.	H/V LOCATION
C222	4030011600	S.CER C1608 JB 1E 104K-T	B	109.1/104.4
C223	4030011600	S.CER C1608 JB 1E 104K-T	B	105.5/98.4
C224	4030011600	S.CER C1608 JB 1E 104K-T	B	100.3/98.7
C225	4030011600	S.CER C1608 JB 1E 104K-T	B	106.2/92
C226	4030011600	S.CER C1608 JB 1E 104K-T	B	106.2/90.7
C227	4030011600	S.CER C1608 JB 1E 104K-T	B	111.4/87.6
C228	4030011600	S.CER C1608 JB 1E 104K-T	B	106.2/89.4
C229	4030011600	S.CER C1608 JB 1E 104K-T	B	116.1/104.4
C230	4030011600	S.CER C1608 JB 1E 104K-T	B	112/98.2
C231	4030011600	S.CER C1608 JB 1E 104K-T	B	117.2/98.6
C232	4030011600	S.CER C1608 JB 1E 104K-T	B	106.2/95.9
C233	4030011600	S.CER C1608 JB 1E 104K-T	B	117.2/92.1
C234	4030011600	S.CER C1608 JB 1E 104K-T	B	114/87.6
C235	4030011600	S.CER C1608 JB 1E 104K-T	B	116.9/81.4
C236	4030011600	S.CER C1608 JB 1E 104K-T	B	117.2/97.3
C237	4030011600	S.CER C1608 JB 1E 104K-T	B	117.2/96
C238	4030011600	S.CER C1608 JB 1E 104K-T	B	117.2/94.7
C239	4030011600	S.CER C1608 JB 1E 104K-T	B	100.3/96.1
C240	4030011600	S.CER C1608 JB 1E 104K-T	B	117.2/90.8
C241	4030011600	S.CER C1608 JB 1E 104K-T	B	117.2/89.5
C242	4030011600	S.CER C1608 JB 1E 104K-T	B	117.9/87.6
C243	4030011600	S.CER C1608 JB 1E 104K-T	B	116.6/87.6
C244	4030011600	S.CER C1608 JB 1E 104K-T	B	106.2/93.3
C245	4030011600	S.CER C1608 JB 1E 104K-T	B	106.8/98.2
C246	4030011600	S.CER C1608 JB 1E 104K-T	B	117.2/93.4
C247	4030011600	S.CER C1608 JB 1E 104K-T	B	114/98.2
C248	4030011600	S.CER C1608 JB 1E 104K-T	B	115.3/87.6
C249	4030011600	S.CER C1608 JB 1E 104K-T	B	108.1/87.6
C250	4030007050	S.CER C1608 CH 1H 220J-T	T	117.8/106.3
C251	4030007050	S.CER C1608 CH 1H 220J-T	T	115.2/106.3
C252	4030006990	S.CER C1608 CH 1H 080D-T	T	114.8/79.8
C253	4030006990	S.CER C1608 CH 1H 080D-T	T	116.1/79.8
C254	4030006900	S.CER C1608 JB 1H 103K-T	T	98.4/100.4
C255	4510008520	S.ELE EEE1CA470SP	T	115.8/116.9
C256	4030006900	S.CER C1608 JB 1H 103K-T	T	97.6/82.8
C257	4510007130	S.ELE EEFCD 0J 470R	T	93.2/81.3
C258	4030011600	S.CER C1608 JB 1E 104K-T	T	99/75.1
C259	4030011600	S.CER C1608 JB 1E 104K-T	B	100.3/91.9
C260	4030011600	S.CER C1608 JB 1E 104K-T	B	122.9/139.6
C261	4030011600	S.CER C1608 JB 1E 104K-T	B	121.6/139.6
C262	4030011600	S.CER C1608 JB 1E 104K-T	B	114.4/141
C263	4030011600	S.CER C1608 JB 1E 104K-T	B	109.2/131.5
C264	4030011600	S.CER C1608 JB 1E 104K-T	B	114.4/142.3
C265	4510008540	S.ELE EEE1CA100SR	T	116.1/143.5
C266	4030011600	S.CER C1608 JB 1E 104K-T	T	111.3/143.6
C267	4030007100	S.CER C1608 CH 1H 560J-T	B	119.8/143.9
C268	4030007100	S.CER C1608 CH 1H 560J-T	B	119.8/150.3
C269	4030007100	S.CER C1608 CH 1H 560J-T	B	113/147.6
C270	4030007050	S.CER C1608 CH 1H 220J-T	B	121.8/143.2
C271	4030007050	S.CER C1608 CH 1H 220J-T	B	121.8/149.6
C272	4030007050	S.CER C1608 CH 1H 220J-T	B	113.4/152.3
C273	4030011600	S.CER C1608 JB 1E 104K-T	B	163.2/97.9
C274	4030007170	S.CER C1608 CH 1H 221J-T	B	172.4/102.5
C275	4030007170	S.CER C1608 CH 1H 221J-T	B	172.4/99.7
C276	4030007050	S.CER C1608 CH 1H 220J-T	T	2.2/64.9
C277	4030007050	S.CER C1608 CH 1H 220J-T	T	9.4/64
C278	4510008500	S.ELE EEE1CA101WP	T	14.3/67.5
C279	4030007050	S.CER C1608 CH 1H 220J-T	T	18.8/66.8
C280	4030007050	S.CER C1608 CH 1H 220J-T	T	18.8/69.5
C282	4030011600	S.CER C1608 JB 1E 104K-T	B	13.8/71.1
C283	4030017490	S.CER C1608 JB 1A 105K-T	B	2.4/66.9
C284	4030011600	S.CER C1608 JB 1E 104K-T	B	85/122.7
C285	4550007520	S.TAN F931A106MAABMA	B	85.4/120.9
C286	4550007520	S.TAN F931A106MAABMA	B	77.4/125
C287	4030011600	S.CER C1608 JB 1E 104K-T	B	81.8/126.1
C288	4550007520	S.TAN F931A106MAABMA	B	77.4/129.8
C289	4030011600	S.CER C1608 JB 1E 104K-T	B	81.8/128.7
C290	4510008540	S.ELE EEE1CA100SR	T	40.7/117.8
C296	4030011600	S.CER C1608 JB 1E 104K-T	B	85.8/138
C297	4550007520	S.TAN F931A106MAABMA	B	82.8/141.7
C298	4030011600	S.CER C1608 JB 1E 104K-T	B	81.8/134
C299	4550007520	S.TAN F931A106MAABMA	B	78.4/133.4
C300	4030007130	S.CER C1608 CH 1H 101J-T	B	154.9/97.2
C301	4030007130	S.CER C1608 CH 1H 101J-T	B	154.9/115.3
C302	4030007130	S.CER C1608 CH 1H 101J-T	T	132.1/80.9
C303	4030007130	S.CER C1608 CH 1H 101J-T	T	96.9/95.2
C305	4030007130	S.CER C1608 CH 1H 101J-T	T	103.3/106.5
C306	4030007130	S.CER C1608 CH 1H 101J-T	T	98.9/82.8
C307	4030007130	S.CER C1608 CH 1H 101J-T	B	15.1/71.1
C308	4030007130	S.CER C1608 CH 1H 101J-T	B	3.7/66.9
C310	4030007130	S.CER C1608 CH 1H 101J-T	T	111.3/142.3
C311	4030007130	S.CER C1608 CH 1H 101J-T	B	110.5/131.5
C312	4030007130	S.CER C1608 CH 1H 101J-T	B	160.9/95.8
C313	4030007130	S.CER C1608 CH 1H 101J-T	B	173.8/105.7
C314	4030007130	S.CER C1608 CH 1H 101J-T	B	80.5/128.7
C315	4030007130	S.CER C1608 CH 1H 101J-T	B	80.5/126.1
C316	4030007130	S.CER C1608 CH 1H 101J-T	B	85.8/136.7
C317	4030011600	S.CER C1608 JB 1E 104K-T	B	107.6/124.1
C380	4030007120	S.CER C1608 CH 1H 820J-T	T	109.6/123.1
C381	4030007120	S.CER C1608 CH 1H 820J-T	B	102/116.4
C401	4030011600	S.CER C1608 JB 1E 104K-T	B	42.9/76.5
C402	4030011600	S.CER C1608 JB 1E 104K-T	B	37/76.5
C403	4030011600	S.CER C1608 JB 1E 104K-T	B	25.8/67.6
C404	4030011600	S.CER C1608 JB 1E 104K-T	B	25.8/60.4
C405	4030011600	S.CER C1608 JB 1E 104K-T	B	34.9/50.6
C406	4030011600	S.CER C1608 JB 1E 104K-T	B	40.1/50.6
C407	4030011600	S.CER C1608 JB 1E 104K-T	B	44.4/50.6
C408	4030011600	S.CER C1608 JB 1E 104K-T	B	53.2/57.3
C409	4030011600	S.CER C1608 JB 1E 104K-T	B	53.4/62.5
C410	4030011600	S.CER C1608 JB 1E 104K-T	B	53.4/66
C411	4030011600	S.CER C1608 JB 1E 104K-T	B	55.6/51.2
C412	4030006860	S.CER C1608 JB 1H 102K-T	T	44/59.7
C413	4030006900	S.CER C1608 JB 1H 103K-T	T	41.4/59.7
C414	4030007150	S.CER C1608 CH 1H 151J-T	T	42.7/59.7

[LOGIC-A UNIT] (For [USA])

REF NO.	ORDER NO.	DESCRIPTION	M.	H/V LOCATION
C415	4030011600	S.CER C1608 JB 1E 104K-T	B	29.9/45.5
C416	4510008540	S.ELE EEE1CA100SR	T	40.6/45.8
C417	4030011600	S.CER C1608 JB 1E 104K-T	B	29.8/47.6
C418	4510008540	S.ELE EEE1CA100SR	T	35.4/51.7
C419	4030006900	S.CER C1608 JB 1H 103K-T	T	39.7/75.5
C420	4030007150	S.CER C1608 CH 1H 151J-T	T	39.7/74.2
C421	4550007520	S.TAN F931A106MAABMA	B	34.4/41.8
C422	4030011600	S.CER C1608 JB 1E 104K-T	T	37/77.3
C423	4030011600	S.CER C1608 JB 1E 104K-T	B	50/100.1
C424	4030011600	S.CER C1608 JB 1E 104K-T	B	53.3/96.3
C425	4030011600	S.CER C1608 JB 1E 104K-T	B	49.3/86.4
C426	4030011600	S.CER C1608 JB 1E 104K-T	B	49.5/82.7
C427	4030011600	S.CER C1608 JB 1E 104K-T	B	41.5/77.8
C428	4030011600	S.CER C1608 JB 1E 104K-T	B	35.5/77.8
C429	4030011600	S.CER C1608 JB 1E 104K-T	B	32.9/77.8
C430	4030011600	S.CER C1608 JB 1E 104K-T	B	23.5/99.4
C431	4030011600	S.CER C1608 JB 1E 104K-T	B	27/87.4
C432	4030011600	S.CER C1608 JB 1E 104K-T	B	27/94
C433	4030011600	S.CER C1608 JB 1E 104K-T	B	27/97.2
C434	4030011600	S.CER C1608 JB 1E 104K-T	B	31.9/105.2
C435	4030011600	S.CER C1608 JB 1E 104K-T	B	35.5/105.2
C436	4030011600	S.CER C1608 JB 1E 104K-T	B	40.4/105.2
C437	4030011600	S.CER C1608 JB 1E 104K-T	T	32.4/108.5
C438	4030011600	S.CER C1608 JB 1E 104K-T	T	22.4/105.7
C439	4030011600	S.CER C1608 JB 1E 104K-T	T	27.5/122.5
C440	4030019220	S.CER C4532X7R3D222KT	T	19.8/126.2
C441	4030007130	S.CER C1608 CH 1H 101J-T	T	46.1/104.6
C442	4030011600	S.CER C1608 JB 1E 104K-T	T	46.1/105.9
C443	4030011600	S.CER C1608 JB 1E 104K-T	B	41.9/47.3
C444	4030007130	S.CER C1608 CH 1H 101J-T	B	24.5/60.4
C445	4030007130	S.CER C1608 CH 1H 101J-T	B	29.9/44.2
C446	4030007130	S.CER C1608 CH 1H 101J-T	B	31.1/47.6
C447	4030007130	S.CER C1608 CH 1H 101J-T	T	37/76
C448	4030007130	S.CER C1608 CH 1H 101J-T	B	26.5/80
C449	4030007130	S.CER C1608 CH 1H 101J-T	T	33.7/108.5
C450	4030007130	S.CER C1608 CH 1H 101J-T	T	23.7/105.7
C451	4030007130	S.CER C1608 CH 1H 101J-T	T	26.2/122.5
C452	4030011340	S.CER C1608 CH 1H 471J-T	T	38.7/58.7
C453	4030011600	S.CER C1608 JB 1E 104K-T	T	38.7/60
C501	4510008540	S.ELE EEE1CA100SR	T	150.1/128
C502	4030011600	S.CER C1608 JB 1E 104K-T	T	146.3/129.3
C503	4030011600	S.CER C1608 JB 1E 104K-T	T	146.3/131.9
C504	4030011600	S.CER C1608 JB 1E 104K-T	T	146.3/143.1
C505	4030011600	S.CER C1608 JB 1E 104K-T	T	137.2/146.2
C506	4030011600	S.CER C1608 JB 1E 104K-T	T	132.7/146.2
C507	4030011600	S.CER C1608 JB 1E 104K-T	T	126.3/143.1
C508	4030011600	S.CER C1608 JB 1E 104K-T	T	126.3/137.7
C509	4030011600	S.CER C1608 JB 1E 104K-T	T	126.3/134.6
C510	4030011600	S.CER C1608 JB 1E 104K-T	T	126.3/129
C511	4030011600	S.CER C1608 JB 1E 104K-T	T	131.8/123.9
C512	4030011600	S.CER C1608 JB 1E 104K-T	T	141/123.9
C513	4510008540	S.ELE EEE1CA100SR	T	150.4/134.5
C514	4030011600	S.CER C1608 JB 1E 104K-T	T	146.3/134.7
C515	4030011600	S.CER C1608 JB 1E 104K-T	T	146.3/137.3
C516	4030011600	S.CER C1608 JB 1E 104K-T	T	146.9/140.3
C517	4030008920	S.CER C1608 JB 1H 473K-T	B	140.2/132.7
C518	4030008920	S.CER C1608 JB 1H 473K-T	B	140.2/134
C519	4030008920	S.CER C1608 JB 1H 473K-T	B	140.2/136.6
C520	4030008920	S.CER C1608 JB 1H 473K-T	B	140.2/137.9
C521	4030008920	S.CER C1608 JB 1H 473K-T	B	140.2/139.2
C522	4030008920	S.CER C1608 JB 1H 473K-T	T	149/139.5
C523	4030008920	S.CER C1608 JB 1H 473K-T	B	137.4/135.3
C524	4030008920	S.CER C1608 JB 1H 473K-T	B	137.4/140.5
C525	4030007130	S.CER C1608 CH 1H 101J-T	T	147.6/137.3
C526	4030007130	S.CER C1608 CH 1H 101J-T	T	132.7/147.5
C550	4030006880	S.CER C1608 JB 1H 472K-T	B	147/21.6
C551	4030011600	S.CER C1608 JB 1E 104K-T	B	126.7/33.3
C552	4030011600	S.CER C1608 JB 1E 104K-T	B	128.7/37.5
C553	4030011600	S.CER C1608 JB 1E 104K-T	B	141.2/47.9
C554	4030011600	S.CER C1608 JB 1E 104K-T	B	140.9/23.5
C555	4510008540	S.ELE EEE1CA100SR		

[LOGIC-A UNIT] (For [USA])

REF NO.	ORDER NO.	DESCRIPTION	M.	H/V LOCATION
C624	4030006880	S.CER C1608 JB 1H 472K-T	B	88/40.4
C625	4030007130	S.CER C1608 CH 1H 101J-T	B	86.3/38.5
C626	4030011600	S.CER C1608 JB 1E 104K-T	B	75.1/35.3
C627	4030011600	S.CER C1608 JB 1E 104K-T	B	78.4/35.3
C628	4030011600	S.CER C1608 JB 1E 104K-T	B	81.3/44.1
C629	4030011600	S.CER C1608 JB 1E 104K-T	B	68.5/52.5
C630	4030011600	S.CER C1608 JB 1E 104K-T	B	165.6/66.7
C631	4030011600	S.CER C1608 JB 1E 104K-T	B	163.6/63.1
C632	4030011600	S.CER C1608 JB 1E 104K-T	B	148.1/79.9
C633	4030011600	S.CER C1608 JB 1E 104K-T	B	152.9/81.7
C634	4030011600	S.CER C1608 JB 1E 104K-T	B	167.4/72
C635	4030011600	S.CER C1608 JB 1E 104K-T	B	145.8/73.5
C636	4030011600	S.CER C1608 JB 1E 104K-T	B	145.8/67.1
C637	4510008540	S.ELE EEE1CA100SR	T	116.5/47.3
C638	4030011600	S.CER C1608 JB 1E 104K-T	T	21.2/132.3
C639	4030011600	S.CER C1608 JB 1E 104K-T	T	21.2/135.4
C640	4030007130	S.CER C1608 CH 1H 101J-T	B	73.2/34.5
C641	4030007130	S.CER C1608 CH 1H 101J-T	B	80.3/37.2
C642	4030007130	S.CER C1608 CH 1H 101J-T	B	80/44.1
C643	4030007130	S.CER C1608 CH 1H 101J-T	B	69.8/51.5
C644	4030007130	S.CER C1608 CH 1H 101J-T	B	145.8/69.8
C645	4030007130	S.CER C1608 CH 1H 101J-T	T	22.5/132.9
C801	4510008540	S.ELE EEE1CA100SR	T	183/147.2
C802	4030011600	S.CER C1608 JB 1E 104K-T	B	169.5/148.9
C803	4030011600	S.CER C1608 JB 1E 104K-T	B	169.5/151.8
C804	4510008540	S.ELE EEE1CA100SR	T	183/152
C805	4510008540	S.ELE EEE1CA100SR	T	191.5/142.4
C806	4030011600	S.CER C1608 JB 1E 104K-T	B	191.9/131.1
C807	4030011600	S.CER C1608 JB 1E 104K-T	B	189/131.1
C808	4510008540	S.ELE EEE1CA100SR	T	186.7/142.4
C809	4510008540	S.ELE EEE1CA100SR	T	22.8/8.3
C810	4030011600	S.CER C1608 JB 1E 104K-T	B	30.6/6.6
C811	4030011600	S.CER C1608 JB 1E 104K-T	B	30.6/3.7
C812	4510008540	S.ELE EEE1CA100SR	T	22.8/3.5
C813	4510008540	S.ELE EEE1CA100SR	T	181.3/38.6
C814	4030011600	S.CER C1608 JB 1E 104K-T	B	176.6/36.7
C815	4030011600	S.CER C1608 JB 1E 104K-T	B	176.6/39.6
C816	4510008520	S.ELE EEE1CA470SP	T	175.2/39.8
C817	4550007520	S.TAN F931A106MAABMA	B	9.7/18.1
C818	4030011600	S.CER C1608 JB 1E 104K-T	B	11.6/19.1
C819	4030011600	S.CER C1608 JB 1E 104K-T	B	17.2/20.5
C820	4550007210	S.TAN F930G476MBABMA	B	20.1/22.3
C823	4030006860	S.CER C1608 JB 1H 102K-T	B	182.3/51.5
C824	4030007130	S.CER C1608 CH 1H 101J-T	B	186.2/51.5
C825	4030006860	S.CER C1608 JB 1H 102K-T	B	182.4/55.2
C826	4030007130	S.CER C1608 CH 1H 101J-T	B	186.2/55.3
C827	4030018960	S.CER C3216 JB 1C 106MT-N	T	44.1/144.5
C828	4030011600	S.CER C1608 JB 1E 104K-T	B	44.1/145.9
C829	4030011600	S.CER C1608 JB 1E 104K-T	B	44.1/148.7
C830	4030018960	S.CER C3216 JB 1C 106MT-N	T	44.1/149.5
C847	4510008520	S.ELE EEE1CA470SP	T	187.1/71
C851	4030006860	S.CER C1608 JB 1H 102K-T	B	130.3/9.4
C852	4030006860	S.CER C1608 JB 1H 102K-T	B	137.8/9.4
C853	4030006860	S.CER C1608 JB 1H 102K-T	B	140.3/9.4
C854	4030006860	S.CER C1608 JB 1H 102K-T	B	142.8/9.5
C861	4030006860	S.CER C1608 JB 1H 102K-T	B	48.7/9.5
C862	4030006860	S.CER C1608 JB 1H 102K-T	B	51.2/9.5
C863	4030006860	S.CER C1608 JB 1H 102K-T	B	56.2/9.5
C864	4030006860	S.CER C1608 JB 1H 102K-T	B	58.7/9.5
C865	4030006860	S.CER C1608 JB 1H 102K-T	B	63.7/9.5
C866	4030006860	S.CER C1608 JB 1H 102K-T	B	68.7/9.5
C871	4030007050	S.CER C1608 CH 1H 220J-T	T	43.4/42.5
C872	4030007050	S.CER C1608 CH 1H 220J-T	T	43.4/28.7
C873	4030007050	S.CER C1608 CH 1H 220J-T	T	44.7/42.5
C874	4030006860	S.CER C1608 JB 1H 102K-T	T	44.7/28.7
C875	4030006860	S.CER C1608 JB 1H 102K-T	T	46/42.5
C876	4030006860	S.CER C1608 JB 1H 102K-T	T	47.3/28.7
C877	4030006860	S.CER C1608 JB 1H 102K-T	T	47.3/42.5
C878	4030006860	S.CER C1608 JB 1H 102K-T	T	48.6/28.7
C879	4030006860	S.CER C1608 JB 1H 102K-T	T	48.6/42.5
C880	4030007050	S.CER C1608 CH 1H 220J-T	T	49.9/28.7
C881	4030007050	S.CER C1608 CH 1H 220J-T	T	49.9/42.5
C882	4030007050	S.CER C1608 CH 1H 220J-T	T	51.2/28.7
C883	4030007050	S.CER C1608 CH 1H 220J-T	T	51.2/42.5
C884	4030007050	S.CER C1608 CH 1H 220J-T	T	52.5/28.7
C885	4030007050	S.CER C1608 CH 1H 220J-T	T	52.5/42.5
C886	4030007050	S.CER C1608 CH 1H 220J-T	T	53.8/28.7
C887	4030007050	S.CER C1608 CH 1H 220J-T	T	53.8/42.5
C888	4030007050	S.CER C1608 CH 1H 220J-T	T	55.1/42.5
C889	4030007050	S.CER C1608 CH 1H 220J-T	T	55.1/28.7
C890	4030007050	S.CER C1608 CH 1H 220J-T	T	56.4/42.5
C891	4030007050	S.CER C1608 CH 1H 220J-T	T	56.4/28.7
C892	4030007050	S.CER C1608 CH 1H 220J-T	T	57.7/42.5
C893	4030007050	S.CER C1608 CH 1H 220J-T	T	57.7/28.7
C894	4030007050	S.CER C1608 CH 1H 220J-T	T	59/42.5
C895	4030006860	S.CER C1608 JB 1H 102K-T	T	59/28.7
C896	4030007050	S.CER C1608 CH 1H 220J-T	T	60.3/42.5
C897	4030007050	S.CER C1608 CH 1H 220J-T	T	60.3/28.7
C911	4030006900	S.CER C1608 JB 1H 103K-T	B	10.3/132.5
C912	4030006900	S.CER C1608 JB 1H 103K-T	B	6.6/128.1
C913	4030006900	S.CER C1608 JB 1H 103K-T	B	5.5/132.8
C914	4030006900	S.CER C1608 JB 1H 103K-T	B	6.6/126.8
C915	4030006900	S.CER C1608 JB 1H 103K-T	B	9.3/122.8
C916	4030006900	S.CER C1608 JB 1H 103K-T	B	6.6/125.5
C917	4030006900	S.CER C1608 JB 1H 103K-T	B	9/132.5
C918	4030006900	S.CER C1608 JB 1H 103K-T	B	6.6/124.2
C919	4030006900	S.CER C1608 JB 1H 103K-T	B	10/126.2
C920	4030006900	S.CER C1608 JB 1H 103K-T	B	6.6/122.9
C921	4030006900	S.CER C1608 JB 1H 103K-T	B	8.6/123.6
C922	4030006900	S.CER C1608 JB 1H 103K-T	B	6.6/121.6
C923	4030006900	S.CER C1608 JB 1H 103K-T	B	6.6/129.4
C924	4030006860	S.CER C1608 JB 1H 102K-T	T	11.3/142.7
C925	4030007130	S.CER C1608 CH 1H 101J-T	T	10/142.7
C926	4030006860	S.CER C1608 JB 1H 102K-T	B	10.7/135.6

[LOGIC-A UNIT] (For [USA])

REF NO.	ORDER NO.	DESCRIPTION	M.	H/V LOCATION
C927	4030007130	S.CER C1608 CH 1H 101J-T	B	13.9/135.5
C928	4030006860	S.CER C1608 JB 1H 102K-T	B	12/133
C929	4030007130	S.CER C1608 CH 1H 101J-T	B	13.9/134.2
C930	4030006860	S.CER C1608 JB 1H 102K-T	B	7/137.5
C931	4030006860	S.CER C1608 JB 1H 102K-T	T	64.6/138.2
C932	4030006860	S.CER C1608 JB 1H 102K-T	T	62.6/138.2
C933	4030006860	S.CER C1608 JB 1H 102K-T	T	59.6/137
C934	4030006860	S.CER C1608 JB 1H 102K-T	T	55.8/138.4
C935	4030006860	S.CER C1608 JB 1H 102K-T	T	51/151.5
C936	4030006860	S.CER C1608 JB 1H 102K-T	T	52.6/138.5
C937	4030007130	S.CER C1608 CH 1H 101J-T	B	7/138.8
C938	4030006860	S.CER C1608 JB 1H 102K-T	B	7/136.1
C939	4030007130	S.CER C1608 CH 1H 101J-T	B	7/134.7
C940	4030006860	S.CER C1608 JB 1H 102K-T	B	4/110.6
C941	4030006900	S.CER C1608 JB 1H 103K-T	T	73.6/138.1
C942	4030006900	S.CER C1608 JB 1H 103K-T	T	74.9/137.1
C943	4030006900	S.CER C1608 JB 1H 103K-T	T	76.2/137.1
C944	4030006900	S.CER C1608 JB 1H 103K-T	T	77.5/137.1
C945	4030006900	S.CER C1608 JB 1H 103K-T	T	80.1/138.7
C946	4030006900	S.CER C1608 JB 1H 103K-T	T	81.5/136.2
C947	4030007050	S.CER C1608 CH 1H 220J-T	T	83.2/137.7
C948	4030007050	S.CER C1608 CH 1H 220J-T	T	84.5/137.7
C949	4030007050	S.CER C1608 CH 1H 220J-T	T	85.8/137.6
C950	4030007050	S.CER C1608 CH 1H 220J-T	T	87.1/137.6
C951	4030007050	S.CER C1608 CH 1H 220J-T	T	88.4/137.6
C952	4030007050	S.CER C1608 CH 1H 220J-T	T	89.7/137.6
C953	4030007050	S.CER C1608 CH 1H 220J-T	T	91/137.6
C954	4030006880	S.CER C1608 JB 1H 472K-T	T	96.1/137.9
C955	4030006880	S.CER C1608 JB 1H 472K-T	T	98.7/137.9
C956	4030006880	S.CER C1608 JB 1H 472K-T	T	101/137.6
C957	4030006880	S.CER C1608 JB 1H 472K-T	T	102.3/137.6
C958	4030007130	S.CER C1608 CH 1H 101J-T	B	4/109.3
C959	4030006860	S.CER C1608 JB 1H 102K-T	B	8.5/101.3
C960	4030006860	S.CER C1608 JB 1H 102K-T	T	27.8/20.1
C961	4030006880	S.CER C1608 JB 1H 472K-T	T	173.4/12.8
C962	4030006880	S.CER C1608 JB 1H 472K-T	T	173.4/15.5
C963	4030006880	S.CER C1608 JB 1H 472K-T	T	173.4/18.1
C964	4030007050	S.CER C1608 CH 1H 220J-T	T	173.4/22
C965	4030007050	S.CER C1608 CH 1H 220J-T	T	173.4/23.3
C966	4030007050	S.CER C1608 CH 1H 220J-T	T	173.4/24.6
C967	4030006880	S.CER C1608 JB 1H 472K-T	T	173.4/29.8
C968	4030006880	S.CER C1608 JB 1H 472K-T	T	173.4/31.5
C969	4030006880	S.CER C1608 JB 1H 472K-T	T	173.4/28.2
C970	4030007050	S.CER C1608 CH 1H 220J-T	T	173.4/25.9
C971	4030007050	S.CER C1608 CH 1H 220J-T	T	173.4/20.7
C972	4030006880	S.CER C1608 JB 1H 472K-T	T	173.4/19.4
C973	4030006880	S.CER C1608 JB 1H 472K-T	T	173.4/16.8
C974	4030006880	S.CER C1608 JB 1H 472K-T	T	173.4/14.2
C975	4030007130	S.CER C1608 CH 1H 101J-T	B	8.5/102.6
C976	4030011340	S.CER C1608 CH 1H 471J-T	T	176.9/127.1
C977	4030011340	S.CER C1608 CH 1H 471J-T	T	176.9/128.4
C978	4030011340	S.CER C1608 CH 1H 471J-T	T	176.9/129.7
C979	4030006880	S.CER C1608 JB 1H 472K-T	T	176.9/131
C980	4030006880	S.CER C1608 JB 1H 472K-T	T	176.9/133
C981	4030006880	S.CER C1608 JB 1H 472K-T	T	176.9/135.6
C982	4030011340	S.CER C1608 CH 1H 471J-T	T	27.7/138.1
C983	4030011340	S.CER C1608 CH 1H 471J-T	T	29/138.1
C984	4030006880	S.CER C1608 JB 1H 472K-T	T	31.2/136.3
C985	4030006880	S.CER C1608 JB 1H 472K-T	T	34.7/137
C986	4030006880	S.CER C1608 JB 1H 472K-T	T	36/137
C987	4030006880	S.CER C1608 JB 1H 472K-T	T	38.2/137.6
C991	4030006880	S.CER C1608 JB 1H 472K-T	T	37/10.3
C992	4030006880	S.CER C1608 JB 1H 472K-T	T	41.4/8.9
C1001	4510008540	S.ELE EEE1CA100SR	T	40.7/122.6
C1002	4510008560	S.ELE EEE1HAR47SR	T	16.1/139.4
C1004	4030011600	S.CER C1608 JB 1E 104K-T	B	29.5/122
C1005	4510008540	S.ELE EEE1CA100SR	T	31.1/129.3
C1006	4030011600	S.CER C1608 JB 1E 104K-T	B	29.5/133
C1007	4510008540	S.ELE EEE1CA100SR	T	25.6/130.6
C1011	4510008540	S.ELE EEE1CA100SR	T	40.7/127.4
C1012	4030009490	S.CER C1608 JB 1H 821K-T	B	23.4/132.3
C1013	4030009490	S.CER C1608 JB 1H 821K-T	B	28.2/1

[LOGIC-A UNIT] (For [USA])

REF NO.	ORDER NO.	DESCRIPTION	M.	H/V LOCATION
C1404	4030007170	S.CER C1608 CH 1H 221J-T	T	125.3/24.6
C1405	4030007170	S.CER C1608 CH 1H 221J-T	T	126.7/24.6
C1406	4030007170	S.CER C1608 CH 1H 221J-T	T	128.1/24.6
C1407	4030007170	S.CER C1608 CH 1H 221J-T	T	129.5/24.6
C1408	4030007170	S.CER C1608 CH 1H 221J-T	T	130.9/24.6
C1409	4030007170	S.CER C1608 CH 1H 221J-T	T	132.3/24.6
C1410	4030007170	S.CER C1608 CH 1H 221J-T	T	133.7/24.6
C1411	4030007170	S.CER C1608 CH 1H 221J-T	T	135.1/24.6
J1	6510022490	S.CON AXK5S30045P	T	54.7/113
J2	6510019870	S.CON AXK5S40045P	T	99.7/113
J52	6510023261	S.CON B6B-PH-SM4-TB(LF)(SN)	T	161.7/94.7
J102	6510019981	S.CON 52808-1671(1690)	T	87.2/55
J604	6510019971	S.CON 52808-1071	T	87.2/38
J801	6510003441	CON B08B-EH-S(LF)(SN)		
J802	6510003461	CON B10B-EH-S(LF)(SN)		
J803	6510020251	S.CON B9B-PH-SM4-TB(LF)(SN)	T	14/113.8
J805	6510020081	S.CON 52808-2071(2090)	T	188/53.7
J806	6510022472	S.CON 40FLT-SM2-TB(LF)(SN)(M)	T	188/85.9
J811	6510021722	S.CON 30FLT-SM2-TB(LF)(SN)(M)	T	5.1/112
J812	6510021722	S.CON 30FLT-SM2-TB(LF)(SN)(M)	T	5.1/130.6
J813	6510024151	S.CON 50FY-BMT-TB(LF)(SN)	T	5.3/46.2
J814	6510019981	S.CON 52808-1671(1690)	T	58.1/146.5
J815	6510021722	S.CON 30FLT-SM2-TB(LF)(SN)(M)	T	51.9/35.6
J816	6510024522	S.CON 12FLT-SM2-TB(LF)(SN)(M)	T	5.8/66
J817	6510020081	S.CON 52808-2071(2090)	T	81.5/146.5
J818	6510019971	S.CON 52808-1071	T	101.5/146.5
J819	6510021722	S.CON 30FLT-SM2-TB(LF)(SN)(M)	T	188/21.1
J820	6510019981	S.CON 52808-1671(1690)	T	188/129.5
J821	6510019981	S.CON 52808-1671(1690)	T	30.8/146.5
J822	6510020521	S.CON 52808-1271(1290)	T	35.6/4.2
J851	6510018961	S.CON B2B-PH-SM4-TB(LF)(SN)	T	153.7/146.5
J852	6510018961	S.CON B2B-PH-SM4-TB(LF)(SN)	T	165.1/146.5
J853	6510019981	S.CON 52808-1671(1690)	T	33.6/15.2
J900	6510021722	S.CON 30FLT-SM2-TB(LF)(SN)(M)	T	128.4/31.5
DS401	5040002930	S.LED SML-512MW T86	T	40.5/104.6
DS402	5040002930	S.LED SML-512MW T86	T	40.5/103.3
DS403	5040002930	S.LED SML-512MW T86	T	40.5/102
S51	2260001890	S.SWI SKQDPA	T	170.5/56.7
T401	5920000841	S.TRA H1102NL <QUA>	T	27/115.4
EP2	6910015970	S.BEA MMZ1608B 301CT-AS	T	58.1/120.5
EP3	6910015970	S.BEA MMZ1608B 301CT-AS	T	108.9/117
EP4	6910015970	S.BEA MMZ1608B 301CT-AS	B	72.4/115.3
EP5	6910015970	S.BEA MMZ1608B 301CT-AS	T	61.5/121.7
EP51	6910015970	S.BEA MMZ1608B 301CT-AS	B	102.4/81.2
EP52	6910015970	S.BEA MMZ1608B 301CT-AS	B	142.2/78.3
EP53	6910015970	S.BEA MMZ1608B 301CT-AS	T	155.3/51.8
EP54	6910015970	S.BEA MMZ1608B 301CT-AS	T	164.6/55
EP55	6910015970	S.BEA MMZ1608B 301CT-AS	T	117.2/52.7
EP104	6910015970	S.BEA MMZ1608B 301CT-AS	T	36.5/86.9
EP105	6910015970	S.BEA MMZ1608B 301CT-AS	T	79.5/51.7
EP106	6910015970	S.BEA MMZ1608B 301CT-AS	T	26.4/72.7
EP107	6910015970	S.BEA MMZ1608B 301CT-AS	T	20.9/87.5
EP108	6910015970	S.BEA MMZ1608B 301CT-AS	T	22.2/88.9
EP109	6910015970	S.BEA MMZ1608B 301CT-AS	T	49.8/101.1
EP110	6910015970	S.BEA MMZ1608B 301CT-AS	T	90.7/97.1
EP111	6910015970	S.BEA MMZ1608B 301CT-AS	T	16.8/89.6
EP201	6910012350	S.BEA MMZ1608Y 102BT	T	111.3/146.3
EP202	6910012350	S.BEA MMZ1608Y 102BT	T	111.3/144.9
EP203	6910012350	S.BEA MMZ1608Y 102BT	T	99.2/102.2
EP204	6910012350	S.BEA MMZ1608Y 102BT	T	96.3/83.6
EP205	6910015970	S.BEA MMZ1608B 301CT-AS	B	155.2/100
EP206	6910015970	S.BEA MMZ1608B 301CT-AS	T	147.4/118.9
EP207	6910015970	S.BEA MMZ1608B 301CT-AS	T	132.1/78.1
EP208	6910015970	S.BEA MMZ1608B 301CT-AS	T	94/94.7
EP211	6910015970	S.BEA MMZ1608B 301CT-AS	B	107.9/131.5
EP212	6910015970	S.BEA MMZ1608B 301CT-AS	B	160.5/97.9
EP213	6910015970	S.BEA MMZ1608B 301CT-AS	B	175.3/104.4
EP214	6910015970	S.BEA MMZ1608B 301CT-AS	B	78.6/126.8
EP215	6910015970	S.BEA MMZ1608B 301CT-AS	B	78.7/128.1
EP216	6910015970	S.BEA MMZ1608B 301CT-AS	B	83/137.9
EP217	6910015970	S.BEA MMZ1608B 301CT-AS	B	16.4/71.1
EP218	6910014730	S.BEA MPZ2012S331A-T	T	10.1/72.6
EP219	6910015970	S.BEA MMZ1608B 301CT-AS	B	107.6/125.4
EP401	6910013310	S.BEA MMZ1608D121B	T	34.1/94.6
EP402	6910013310	S.BEA MMZ1608D121B	T	32/90.6
EP403	6910013310	S.BEA MMZ1608D121B	T	34.1/97.5
EP404	6910015970	S.BEA MMZ1608B 301CT-AS	B	23.2/61.9
EP405	6910012350	S.BEA MMZ1608Y 102BT	T	36.8/59.4
EP411	6910014730	S.BEA MPZ2012S331A-T	T	40.1/41
EP412	6910014730	S.BEA MPZ2012S331A-T	T	36.4/47.8
EP421	6910015970	S.BEA MMZ1608B 301CT-AS	B	23.9/78.8
EP422	6910015970	S.BEA MMZ1608B 301CT-AS	T	35.5/81.3
EP423	6910015970	S.BEA MMZ1608B 301CT-AS	T	46.1/102
EP431	6910015970	S.BEA MMZ1608B 301CT-AS	T	34.4/114.1
EP501	6910015970	S.BEA MMZ1608B 301CT-AS	T	151.4/138
EP502	6910015970	S.BEA MMZ1608B 301CT-AS	T	146.3/126.5
EP503	6910015970	S.BEA MMZ1608B 301CT-AS	T	138.5/30
EP504	6910015970	S.BEA MMZ1608B 301CT-AS	B	153.5/37.9
EP601	6910015970	S.BEA MMZ1608B 301CT-AS	B	58.3/34.9
EP602	6910015970	S.BEA MMZ1608B 301CT-AS	B	119.3/51.9
EP603	6910015970	S.BEA MMZ1608B 301CT-AS	B	86.8/35.8
EP604	6910015970	S.BEA MMZ1608B 301CT-AS	B	82.9/37.7
EP605	6910015970	S.BEA MMZ1608B 301CT-AS	B	75.5/34
EP606	6910015970	S.BEA MMZ1608B 301CT-AS	B	81/35.3

[LOGIC-A UNIT] (For [USA])

REF NO.	ORDER NO.	DESCRIPTION	M.	H/V LOCATION
EP607	6910015970	S.BEA MMZ1608B 301CT-AS	B	80.7/42.2
EP608	6910015970	S.BEA MMZ1608B 301CT-AS	B	70.4/53.3
EP609	6910015970	S.BEA MMZ1608B 301CT-AS	B	45.7/33.3
EP621	6910015970	S.BEA MMZ1608B 301CT-AS	T	21.2/129.5
EP631	6910015970	S.BEA MMZ1608B 301CT-AS	B	144.5/73.5
EP801	6910013310	S.BEA MMZ1608D121B	T	180.7/96.6
EP802	6910013310	S.BEA MMZ1608D121B	T	178.1/95.9
EP803	6910013310	S.BEA MMZ1608D121B	T	180.7/95.2
EP804	6910013310	S.BEA MMZ1608D121B	T	178.1/94.5
EP805	6910013310	S.BEA MMZ1608D121B	T	180.7/93.8
EP806	6910013310	S.BEA MMZ1608D121B	T	178.1/93.1
EP807	6910013310	S.BEA MMZ1608D121B	T	180.7/92.4
EP808	6910013310	S.BEA MMZ1608D121B	T	178.1/91.7
EP809	6910013310	S.BEA MMZ1608D121B	T	180.7/91
EP810	6910013310	S.BEA MMZ1608D121B	T	178.1/90.3
EP811	6910013310	S.BEA MMZ1608D121B	T	180.7/89.6
EP812	6910013310	S.BEA MMZ1608D121B	T	178.1/88.9
EP813	6910013310	S.BEA MMZ1608D121B	T	180.7/88.2
EP814	6910013310	S.BEA MMZ1608D121B	T	178.1/87.5
EP815	6910013310	S.BEA MMZ1608D121B	T	180.7/86.8
EP816	6910013310	S.BEA MMZ1608D121B	T	178.1/86.1
EP817	6910013310	S.BEA MMZ1608D121B	T	180.7/85.4
EP818	6910013310	S.BEA MMZ1608D121B	T	178.1/84.7
EP819	6910013310	S.BEA MMZ1608D121B	T	180.7/84
EP820	6910013310	S.BEA MMZ1608D121B	T	180.7/82
EP822	6910014730	S.BEA MPZ2012S331A-T	T	181.6/48.5
EP823	6910014730	S.BEA MPZ2012S331A-T	T	181.6/51.3
EP825	6910014730	S.BEA MPZ2012S331A-T	T	181.5/55.2
EP826	6910015970	S.BEA MMZ1608B 301CT-AS	T	182.5/57.7
EP827	6910015970	S.BEA MMZ1608B 301CT-AS	T	182.5/60.3
EP828	6910015970	S.BEA MMZ1608B 301CT-AS	T	182.5/61.6
EP829	6910015970	S.BEA MMZ1608B 301CT-AS	T	182.5/59
EP851	6910014730	S.BEA MPZ2012S331A-T	T	135.3/9.8
EP853	6910014730	S.BEA MPZ2012S331A-T	T	137.8/9.8
EP854	6910014730	S.BEA MPZ2012S331A-T	T	140.3/9.8
EP855	6910014730	S.BEA MPZ2012S331A-T	T	142.8/9.8
EP856	6910014730	S.BEA MPZ2012S331A-T	T	132.8/9.9
EP857	6910014730	S.BEA MPZ2012S331A-T	T	130.3/9.9
EP861	6910014730	S.BEA MPZ2012S331A-T	T	66.4/10.1
EP862	6910014730	S.BEA MPZ2012S331A-T	T	68.4/10.1
EP901	6910015970	S.BEA MMZ1608B 301CT-AS	T	8.7/105.3
EP902	6910014730	S.BEA MPZ2012S331A-T	T	2.1/111.2
EP903	6910014730	S.BEA MPZ2012S331A-T	T	9.6/134.5
EP904	6910014730	S.BEA MPZ2012S331A-T	T	15.2/126.1
EP905	6910014730	S.BEA MPZ2012S331A-T	T	71.2/142
EP906	6910014730	S.BEA MPZ2012S331A-T	T	91/151
EP907	6910014730	S.BEA MPZ2012S331A-T	T	106/151
EP908	6910014730	S.BEA MPZ2012S331A-T	T	97/151
EP909	6910014730	S.BEA MPZ2012S331A-T	T	38.3/151
EP910	6910014730	S.BEA MPZ2012S331A-T	T	28.3/151
EP911	6910014730	S.BEA MPZ2012S331A-T	T	9.1/140.6
EP912	6910014730	S.BEA MPZ2012S331A-T	T	9.1/138.9
EP913	6910015970	S.BEA MMZ1608B 301CT-AS	T	9.2/137.3
EP914	6910015970	S.BEA MMZ1608B 301CT-AS	T	9.2/136
EP915	6910015970	S.BEA MMZ1608B 301CT-AS	B	4.2/137.3
EP916	6910015970	S.BEA MMZ1608B 301CT-AS	B	4.2/135.7
EP920	6910015970	S.BEA MMZ1608B 301CT-AS	T	2.2/107.5
EP921	6910014730	S.BEA MPZ2012S331A-T	T	20.9/142
EP931	6910015970	S.BEA MMZ1608B 301CT-AS	T	52.6/141.2
EP932	6910015970	S.BEA MMZ1608B 301CT-AS	T	53.3/150.8
EP933	6910015970	S.BEA MMZ1608B 301CT-AS	T	59.6/140.9
EP934	6910014730	S.BEA MPZ2012S331A-T	T	56.6/140.7
EP941	6910015970	S.BEA MMZ1608B 301CT-AS	T	73.6/140.9
EP942	6910015970	S.BEA MMZ1608B 301CT-AS	T	74.9/140.9
EP943	6910015970	S.BEA MMZ1608B 301CT-AS	T	76.2/140.9
EP944	6910015970	S.BEA MMZ1608B 301CT-AS	T	77.5/140.9
EP945	6910014730	S.BEA MPZ2012S331A-T	T	81.6/140.9
EP951	6910014730	S.BEA MPZ2012S331A-T	T	99.1/140.1
EP952	6910014730	S.BEA MPZ2012S331A-T	T	95.3/140.1
EP961	6910015970	S.BEA MMZ1608B 301CT-AS	T	177.4/19.1
EP963	6910014730	S.BEA MPZ2012S331A-T	T	179.2/26.7
EP964	6910014730	S.BEA MPZ2012S331A-T	T	179.2/28.4
EP965	6910014730	S.BEA MPZ2012S331A-T	T	179.3/30.2
EP971	6910015970	S.BEA MMZ1608B 301CT-AS	T	180.7/133
EP972	6910015970	S.BEA MMZ1608B 301CT-AS	T	180.7/131
EP973	6910015970	S.BEA MMZ1608B 301CT-AS	T	183.2/130
EP974	6910015970	S.BEA MMZ1608B 301CT-AS	T	180.7/129
EP975	6910014730	S.BEA MPZ2012S331A-T	T	181.8/135.6
EP976	6910015970	S.BEA MMZ1608B 301CT-AS	T	183.2/128
EP981	6910015970	S.BEA MMZ1608B 301CT-AS	T	36/140.9
EP982	6910015970	S.BEA MMZ1608B 301CT-AS	T	34.7/140.9
EP983	6910014730	S.BEA MPZ2012S331A-T	T	38.2/140.5
EP984	6910014730	S.BEA MPZ2012S331A-T	T	31.2/140.5
EP991	6910015970	S.BEA MMZ1608B 301CT-AS	T	37.8/8.3

[LOGIC-A UNIT] (For [USA])

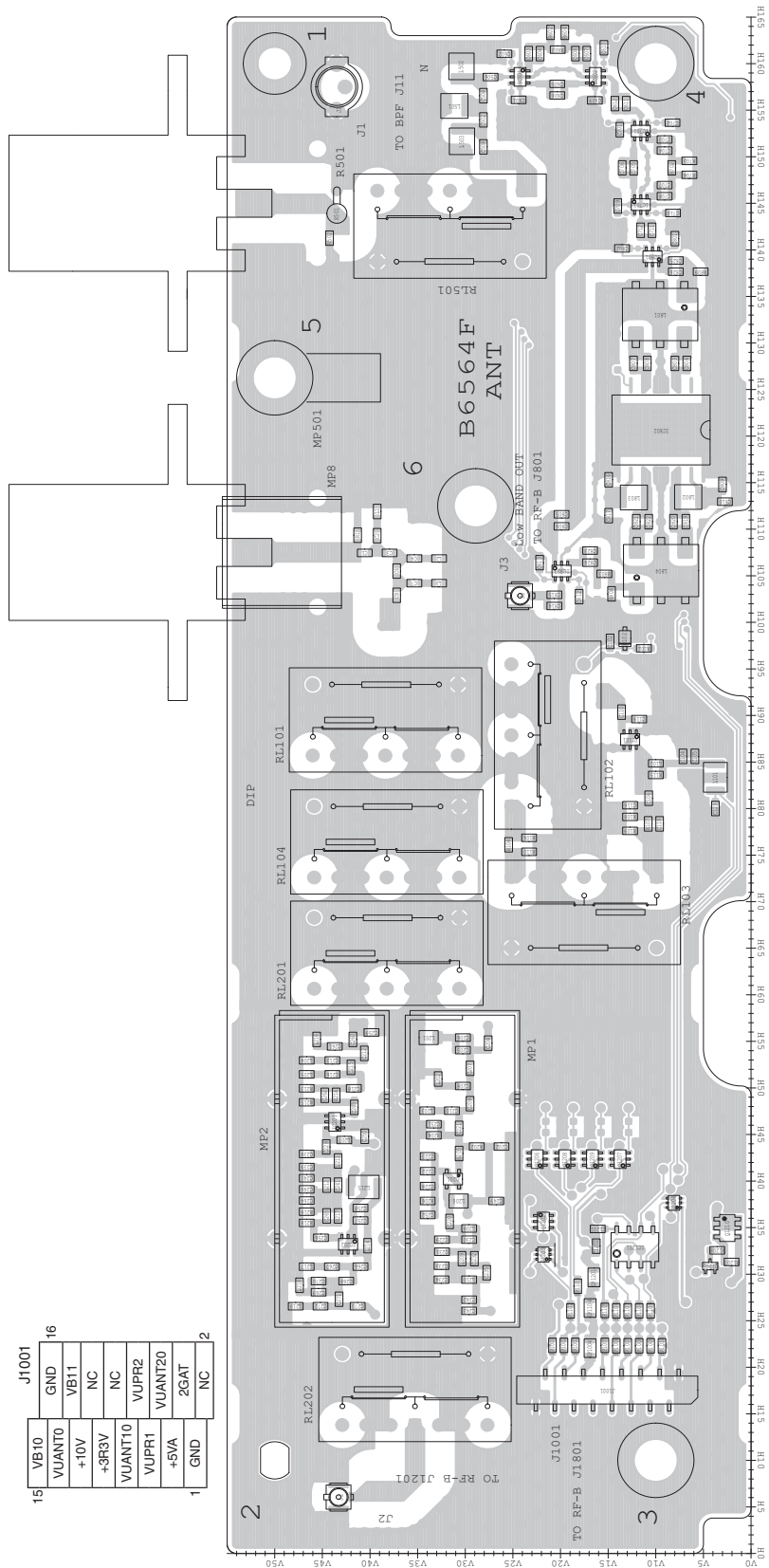
REF NO.	ORDER NO.	DESCRIPTION	M.	H/V LOCATION
EP1114	6910013310	S.BEA MMZ1608D121B	T	10.5/38.9
EP1115	6910013310	S.BEA MMZ1608D121B	T	13.3/39.6
EP1116	6910013310	S.BEA MMZ1608D121B	T	10.5/40.3
EP1117	6910013310	S.BEA MMZ1608D121B	T	13.3/41
EP1118	6910013310	S.BEA MMZ1608D121B	T	10.5/41.7
EP1119	6910013310	S.BEA MMZ1608D121B	T	13.3/42.4
EP1120	6910013310	S.BEA MMZ1608D121B	T	10.5/43.1
EP1121	6910013310	S.BEA MMZ1608D121B	T	13.3/43.8
EP1122	6910013310	S.BEA MMZ1608D121B	T	10.5/44.5
EP1123	6910013310	S.BEA MMZ1608D121B	T	13.3/45.2
EP1124	6910013310	S.BEA MMZ1608D121B	T	10.5/47.2
EP1125	6910013310	S.BEA MMZ1608D121B	T	13.3/47.9
EP1126	6910013310	S.BEA MMZ1608D121B	T	10.5/48.6
EP1127	6910013310	S.BEA MMZ1608D121B	T	13.3/49.3
EP1128	6910013310	S.BEA MMZ1608D121B	T	10.5/50
EP1129	6910013310	S.BEA MMZ1608D121B	T	13.3/50.7
EP1130	6910013310	S.BEA MMZ1608D121B	T	10.5/51.4
EP1131	6910013310	S.BEA MMZ1608D121B	T	13.3/52.1
EP1132	6910013310	S.BEA MMZ1608D121B	T	10.5/52.8
EP1133	6910013310	S.BEA MMZ1608D121B	T	13.3/53.5
EP1134	6910013310	S.BEA MMZ1608D121B	T	10.5/54.2
EP1135	6910013310	S.BEA MMZ1608D121B	T	13.3/54.9
EP1136	6910013310	S.BEA MMZ1608D121B	T	10.5/55.6
EP1137	6910013310	S.BEA MMZ1608D121B	T	13.3/56.3
EP1138	6910013310	S.BEA MMZ1608D121B	T	10.5/57
EP1139	6910013310	S.BEA MMZ1608D121B	T	13.3/57.7
EP1140	6910013310	S.BEA MMZ1608D121B	T	10.5/58.4
EP1141	6910013310	S.BEA MMZ1608D121B	T	13.3/59.1
EP1142	6910013310	S.BEA MMZ1608D121B	T	10.5/59.8
EP1143	6910013310	S.BEA MMZ1608D121B	T	13.3/60.5
EP1144	6910013310	S.BEA MMZ1608D121B	T	10.5/61.2
EP1145	6910013310	S.BEA MMZ1608D121B	T	13.3/61.9
EP1146	6910013310	S.BEA MMZ1608D121B	T	10.5/62.6
EP1147	6910014730	S.BEA MPZ2012S331A-T	T	22.5/45.8
EP1149	6910014730	S.BEA MPZ2012S331A-T	T	39.6/19.8
EP1263	6910015970	S.BEA MMZ1608B 301CT-AS	T	36.2/19.4
EP1273	6910015970	S.BEA MMZ1608B 301CT-AS	T	38.1/19.4

M.=Mounted side (T: Mounted on the Top side B: Mounted on the Bottom side)
 S.=Surface mount

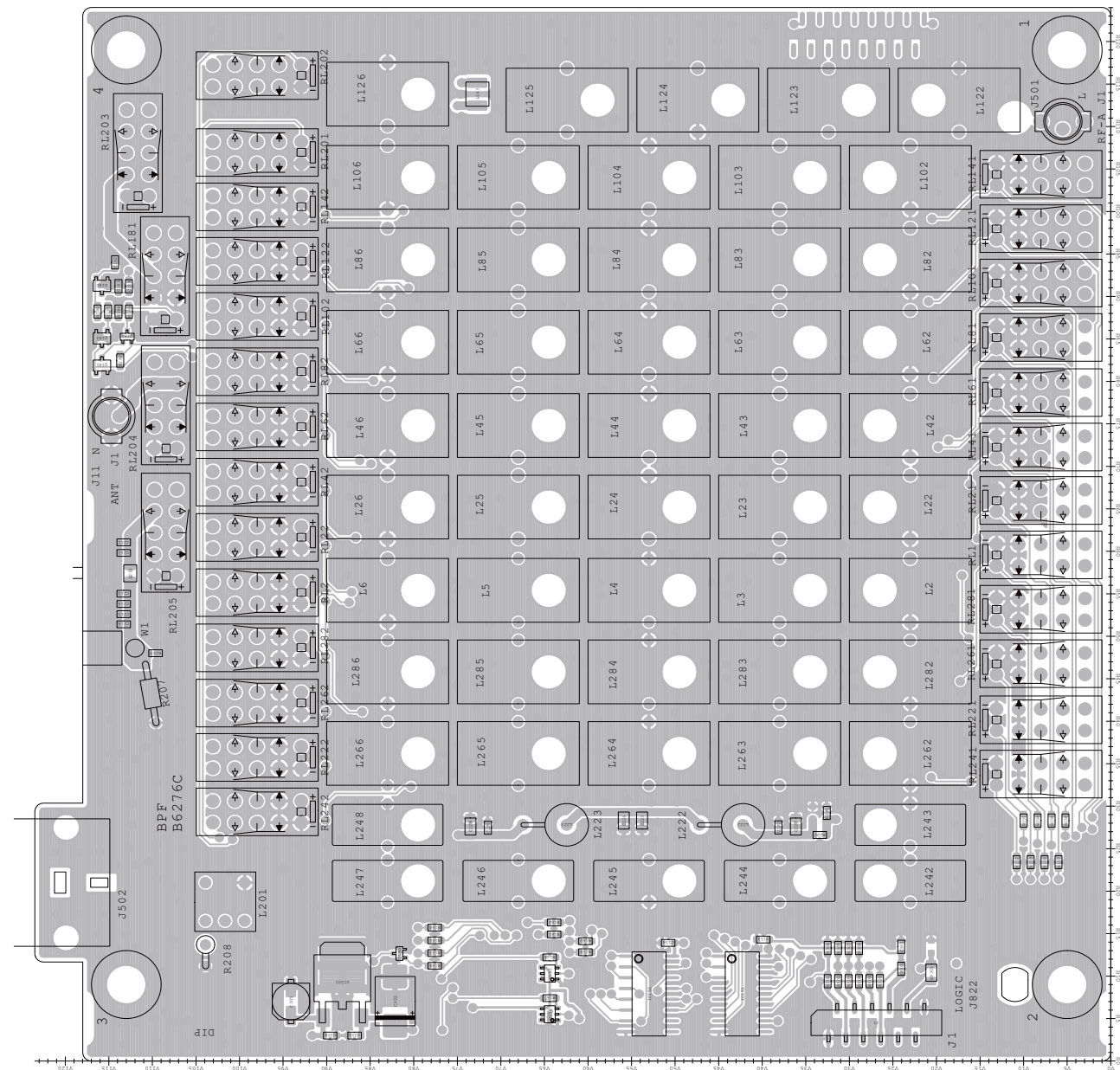
BOARD LAYOUTS

The combination of this side and the bottom side shows the board layout in the same configuration as the actual P.C.Board.

• ANT UNIT (TOP VIEW)

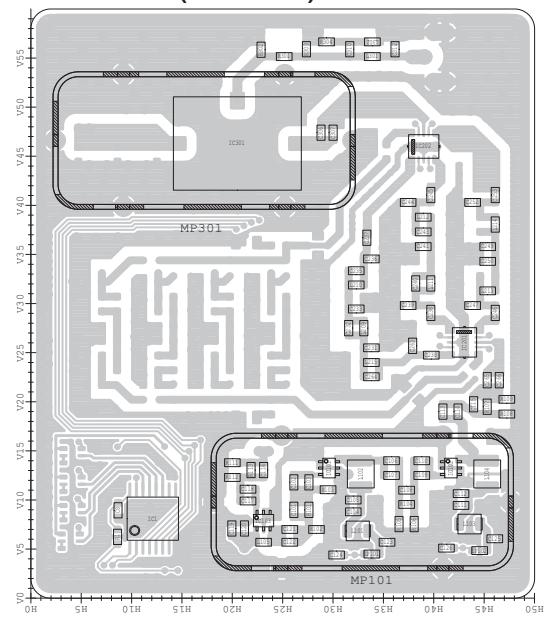


• BPF UNIT (TOP VIEW)

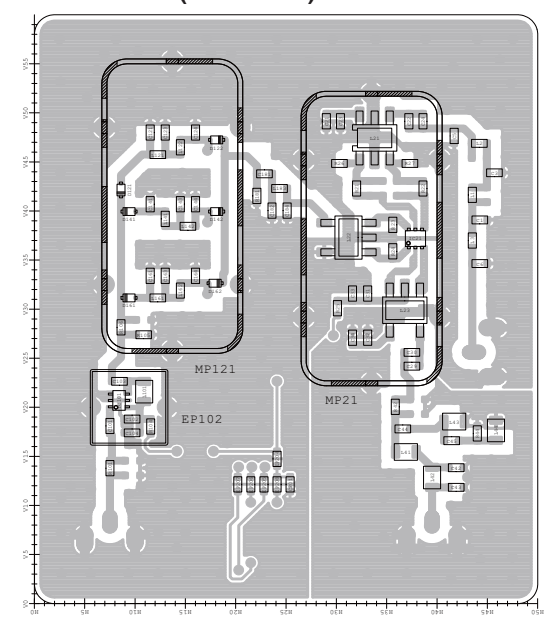


2	BCLK	GND	11
	BSTB	BDAT	
	ANTI	BRST	
	+3R3V	ANTO	
	+15V	NC	
12	GND	NC	11

• MIX-1 UNIT (TOP VIEW)

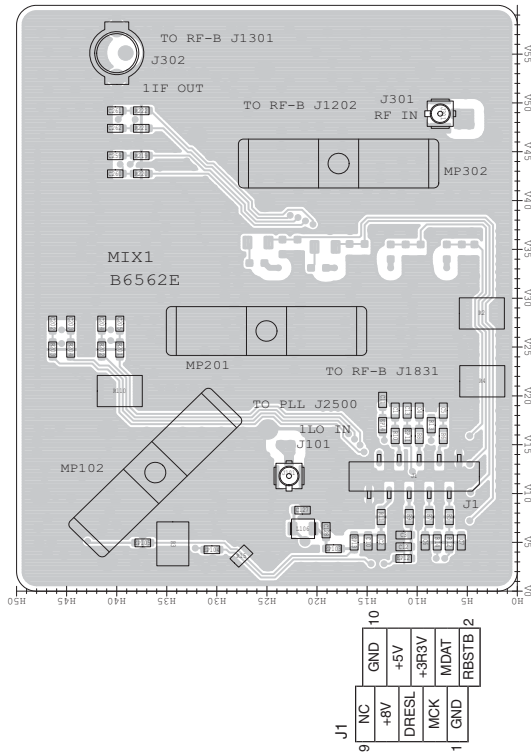


• MIX-2 UNIT (TOP VIEW)

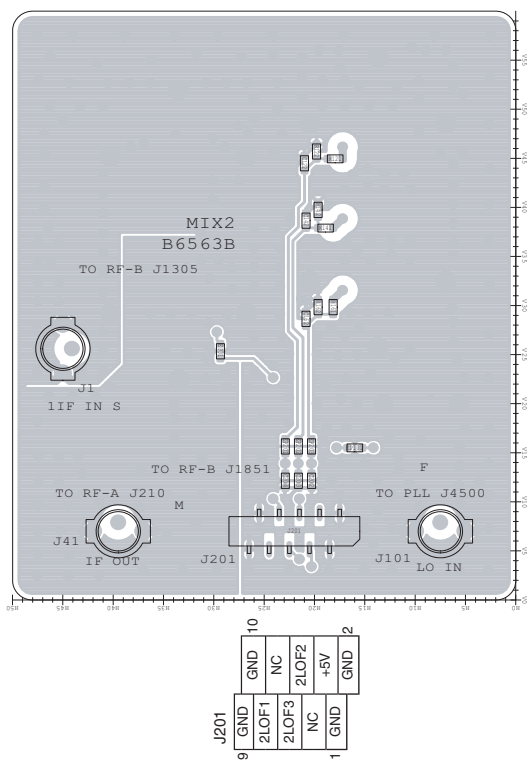


The combination of this side and the bottom side shows the board layout in the same configuration as the actual P.C.Board.

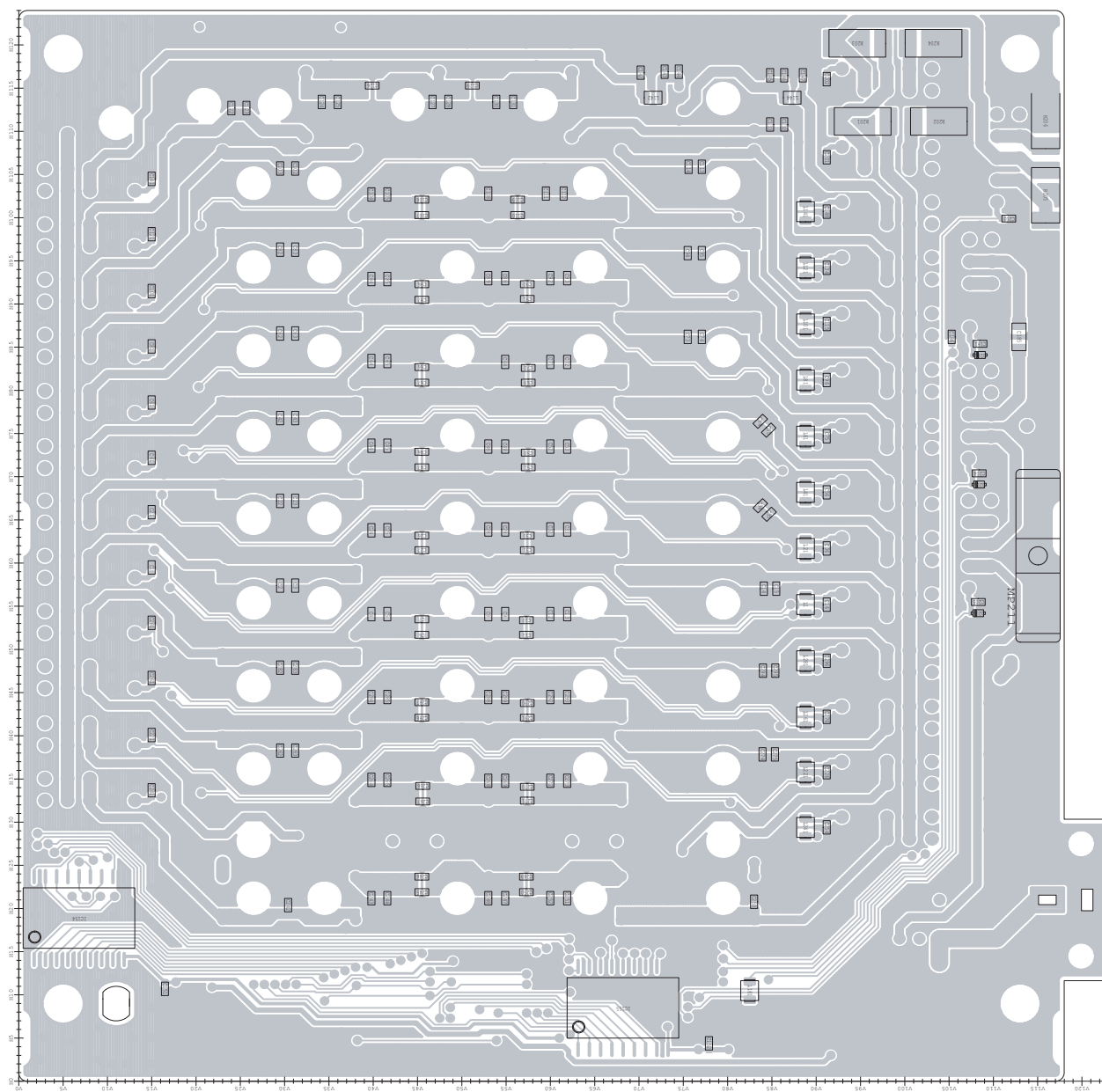
• MIX-1 UNIT (BOTTOM VIEW)



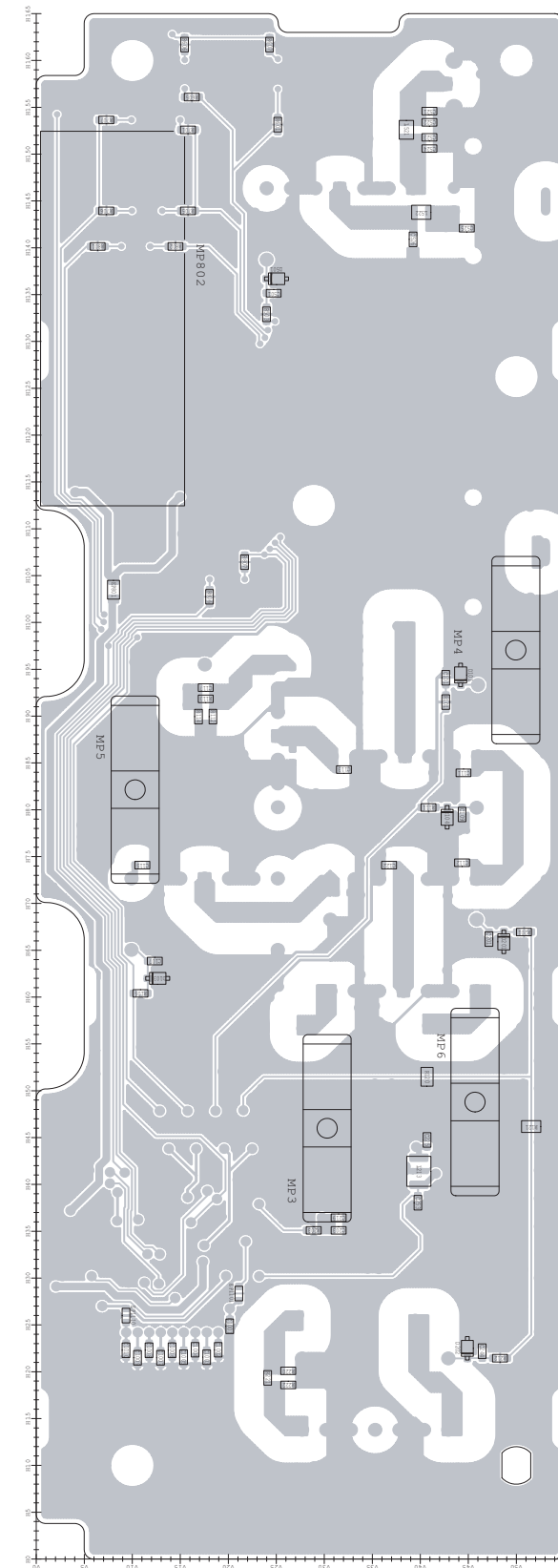
• MIX-2 UNIT (BOTTOM VIEW)



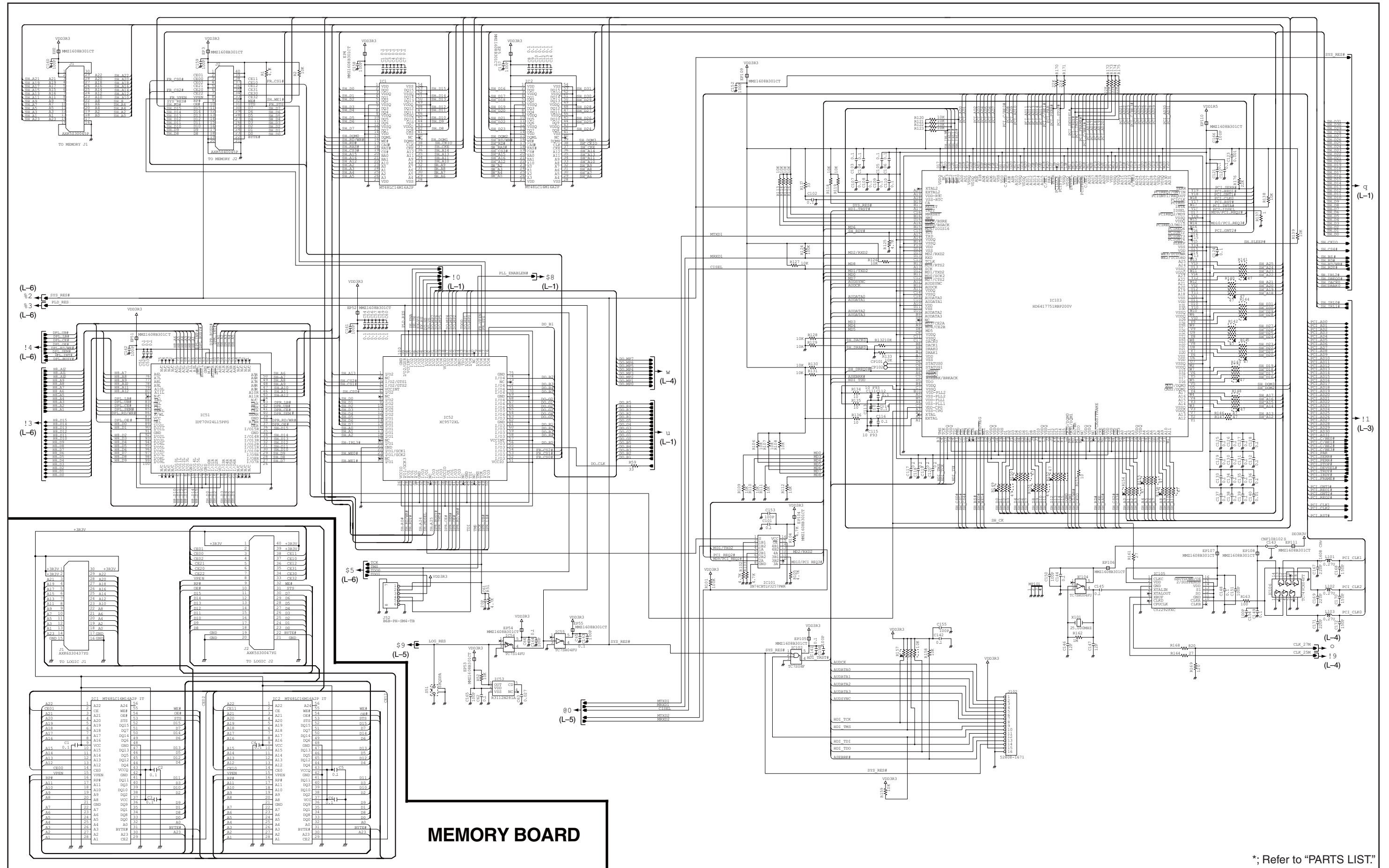
• BPF UNIT (BOTTOM VIEW)



• ANT UNIT (BOTTOM VIEW)



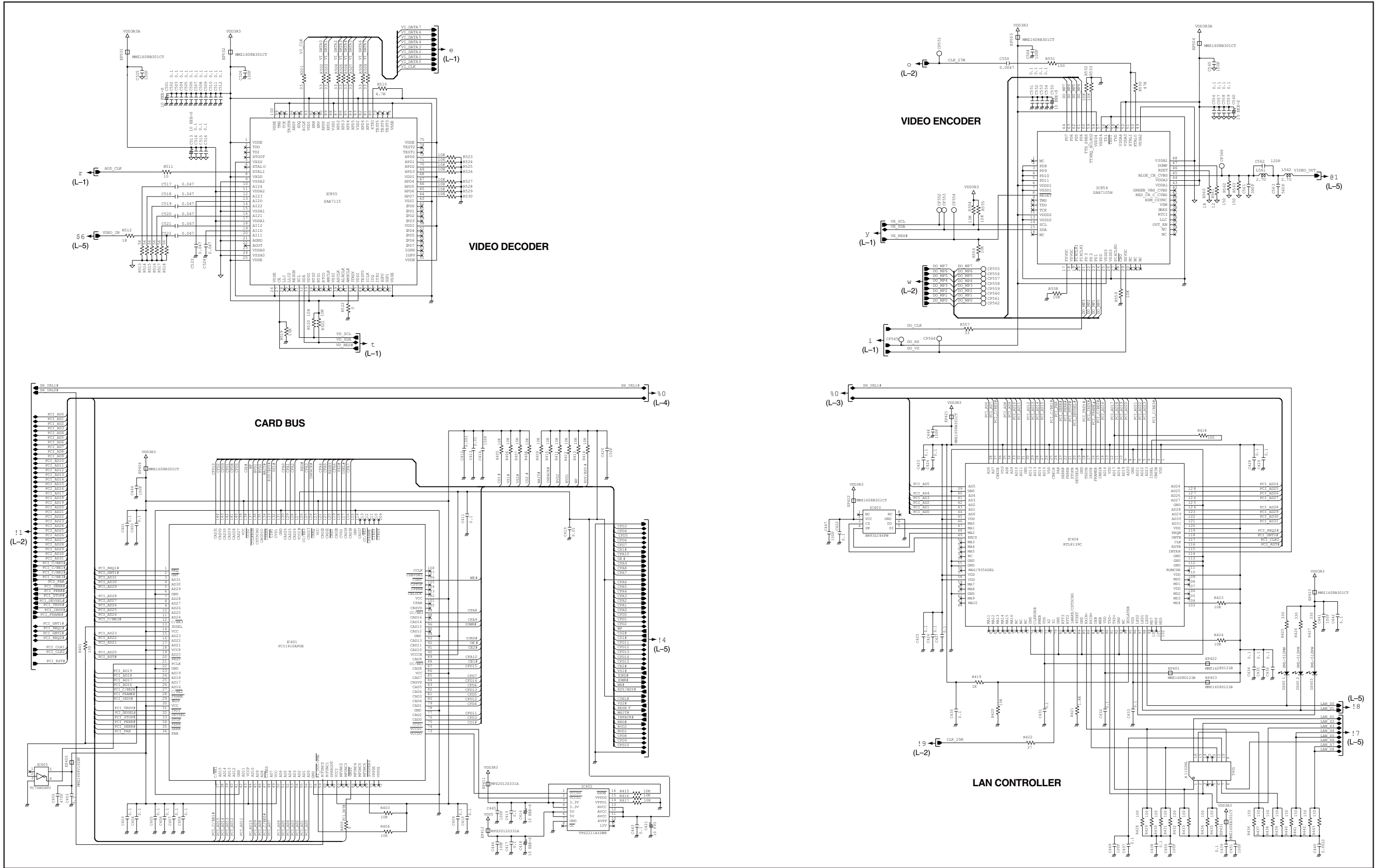
• LOGIC/LOGIC-A UNIT (2)



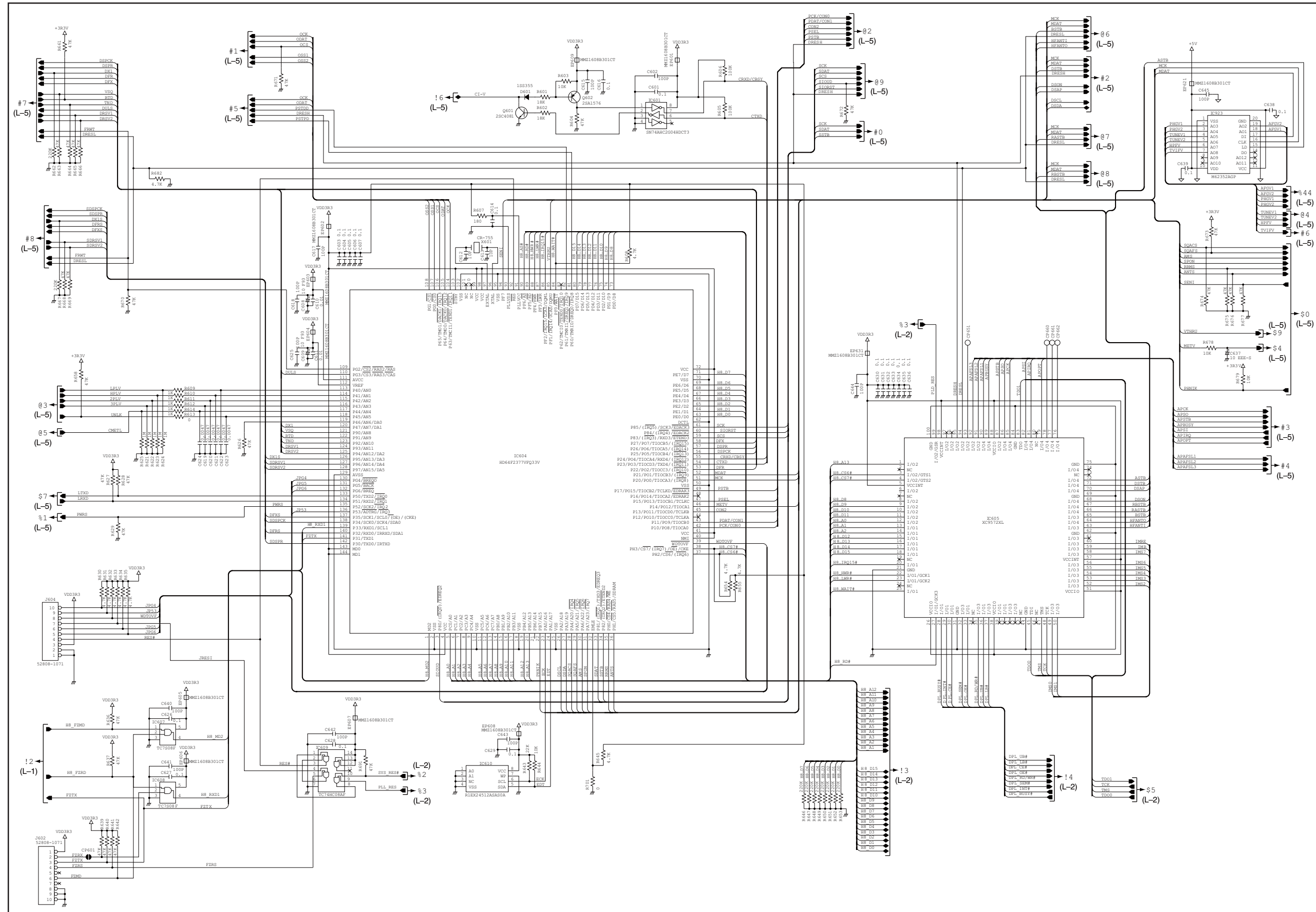
MEMORY BOARD

*; Refer to "PARTS LIST"

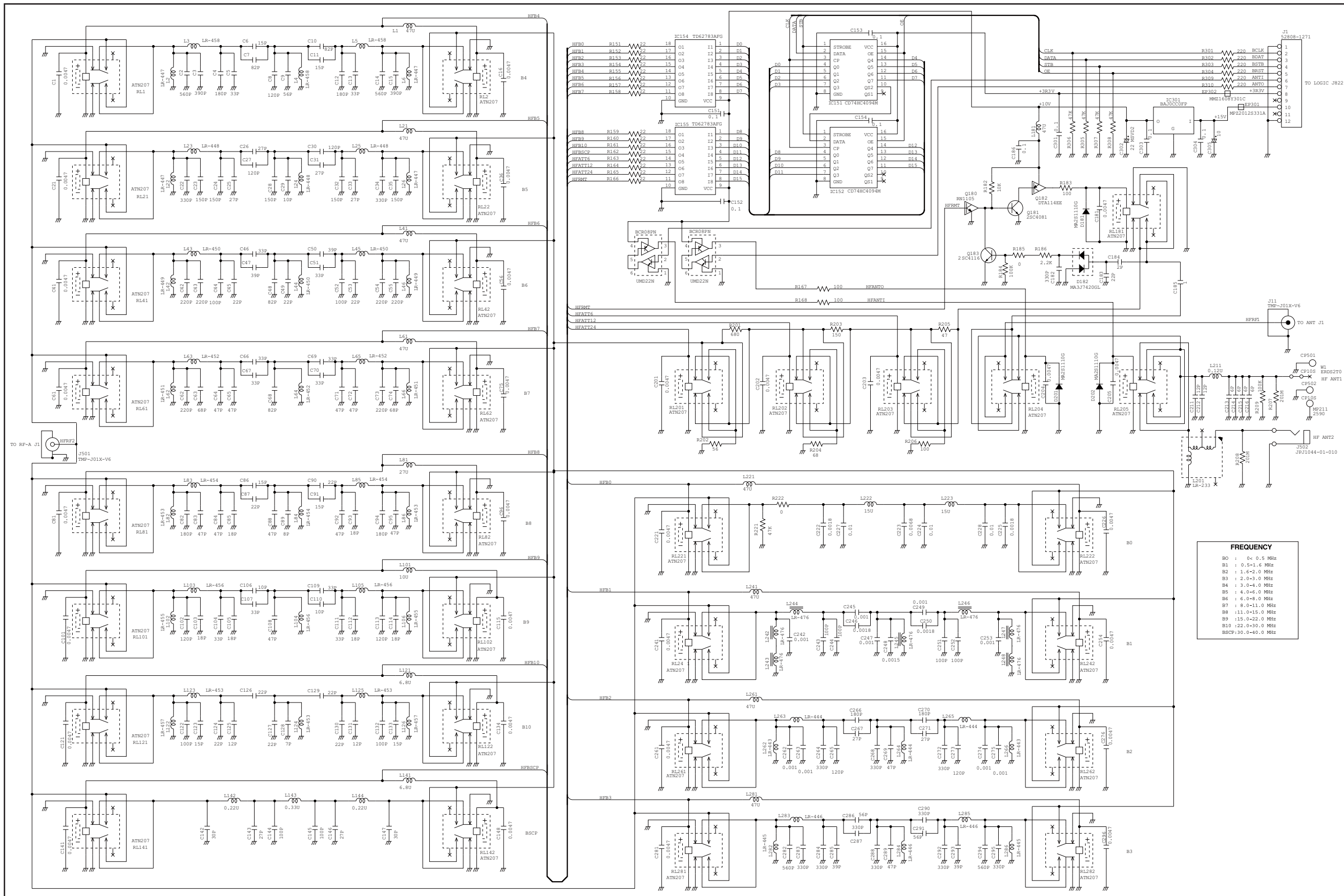
• LOGIC/LOGIC-A UNIT (3)



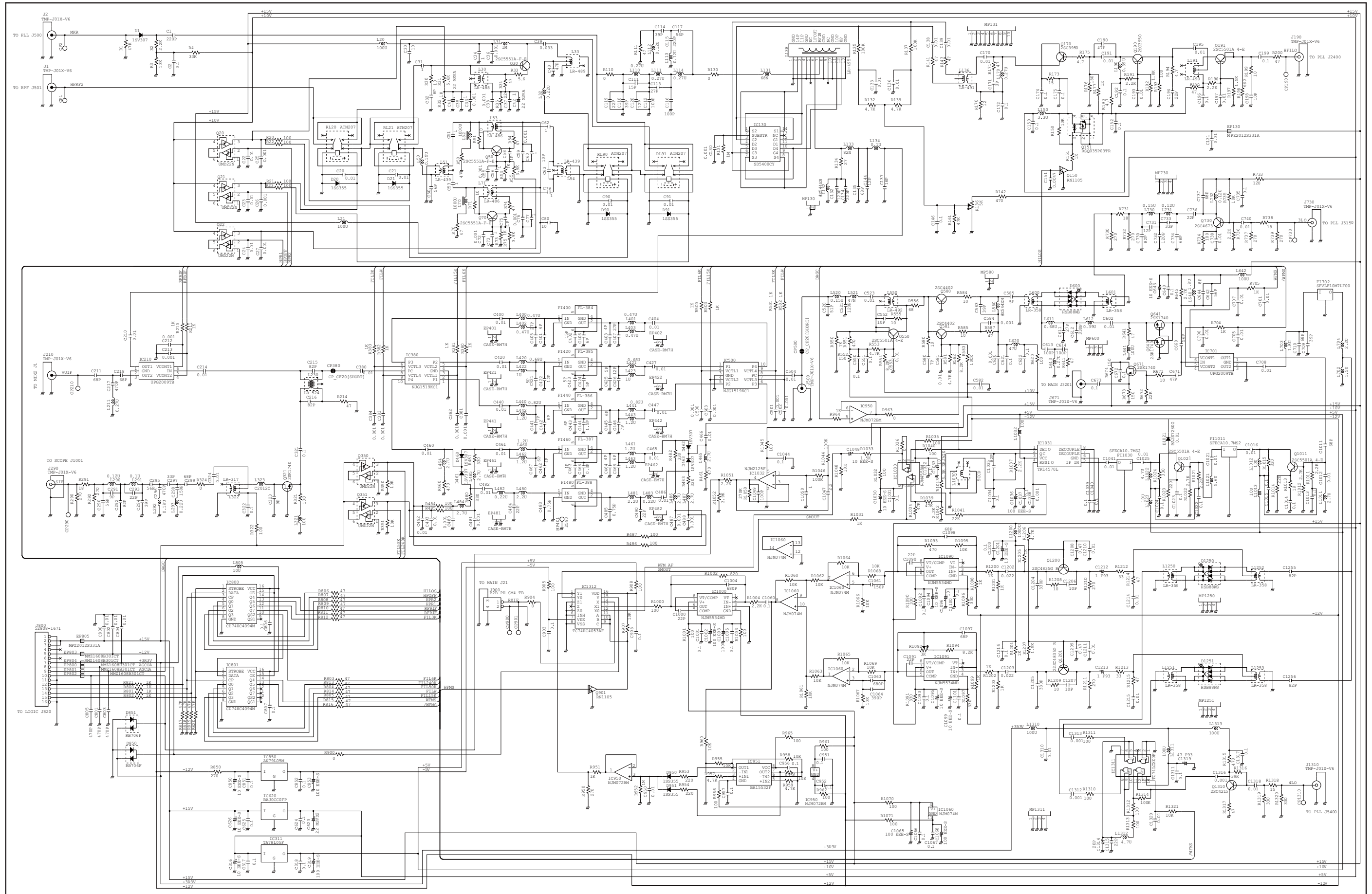
• LOGIC/LOGIC-A UNIT (5)



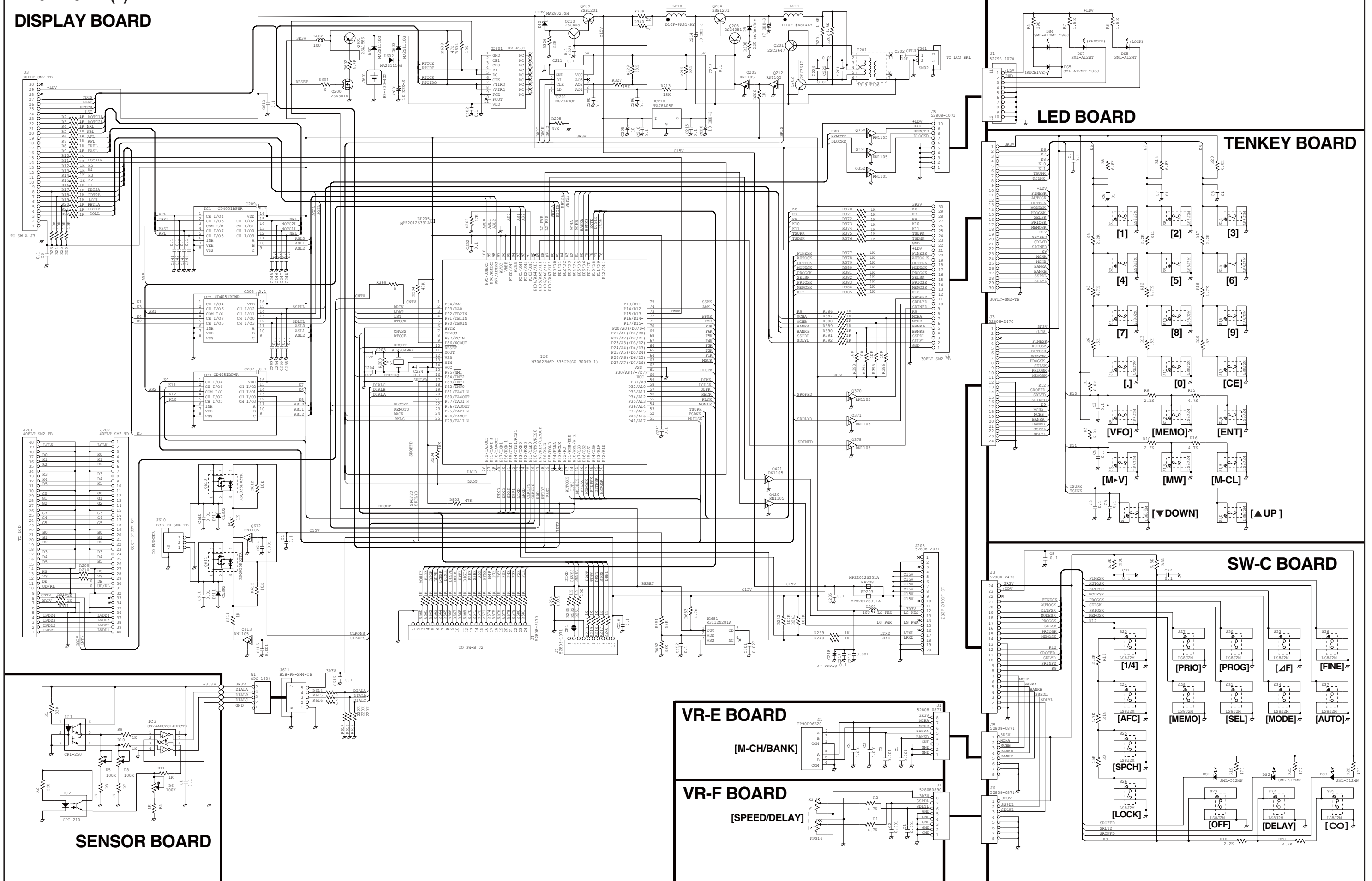
• BPF UNIT



• RF-A UNIT



FRONT UNIT (1) DISPLAY BOARD



LED BOARD

TENKEY BOARD

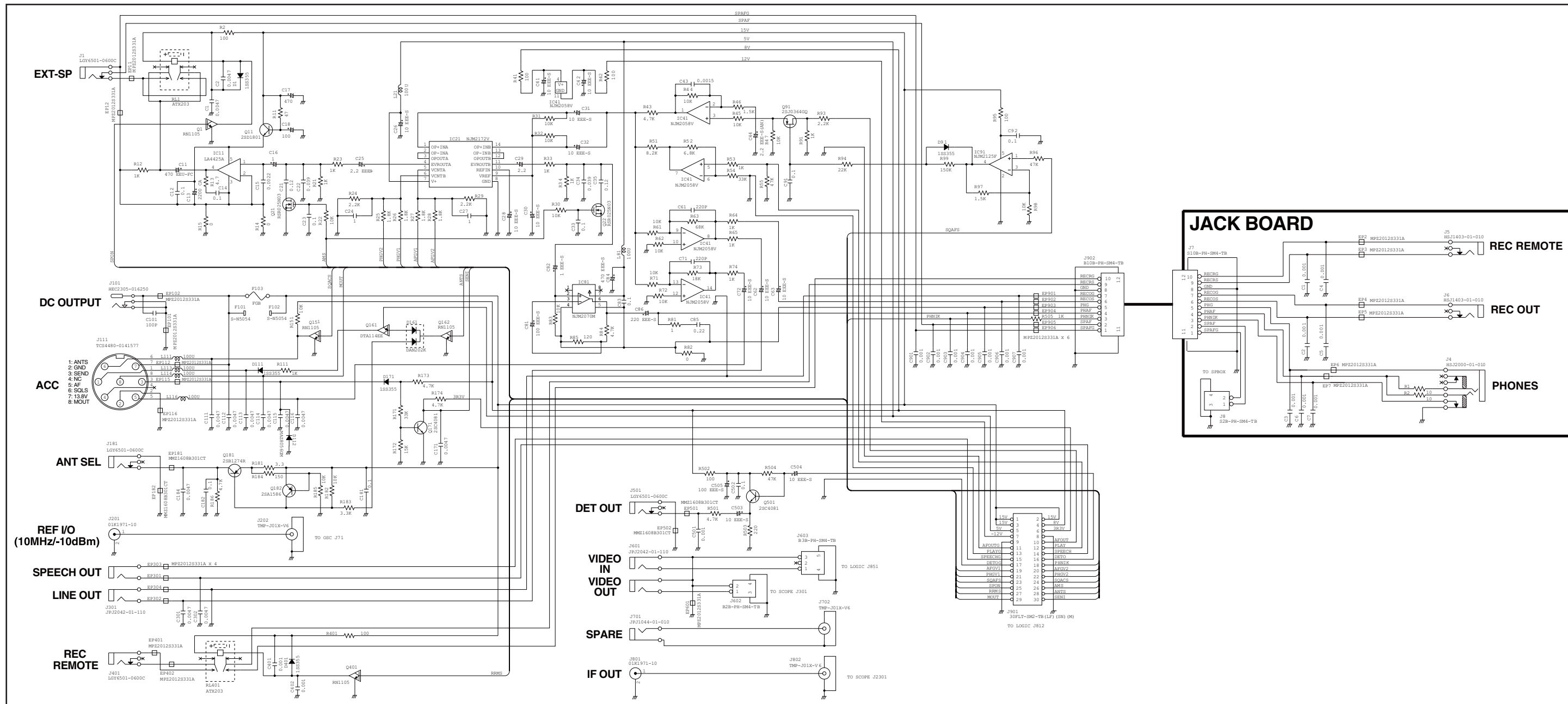
SW-C BOARD

VR-E BOARD

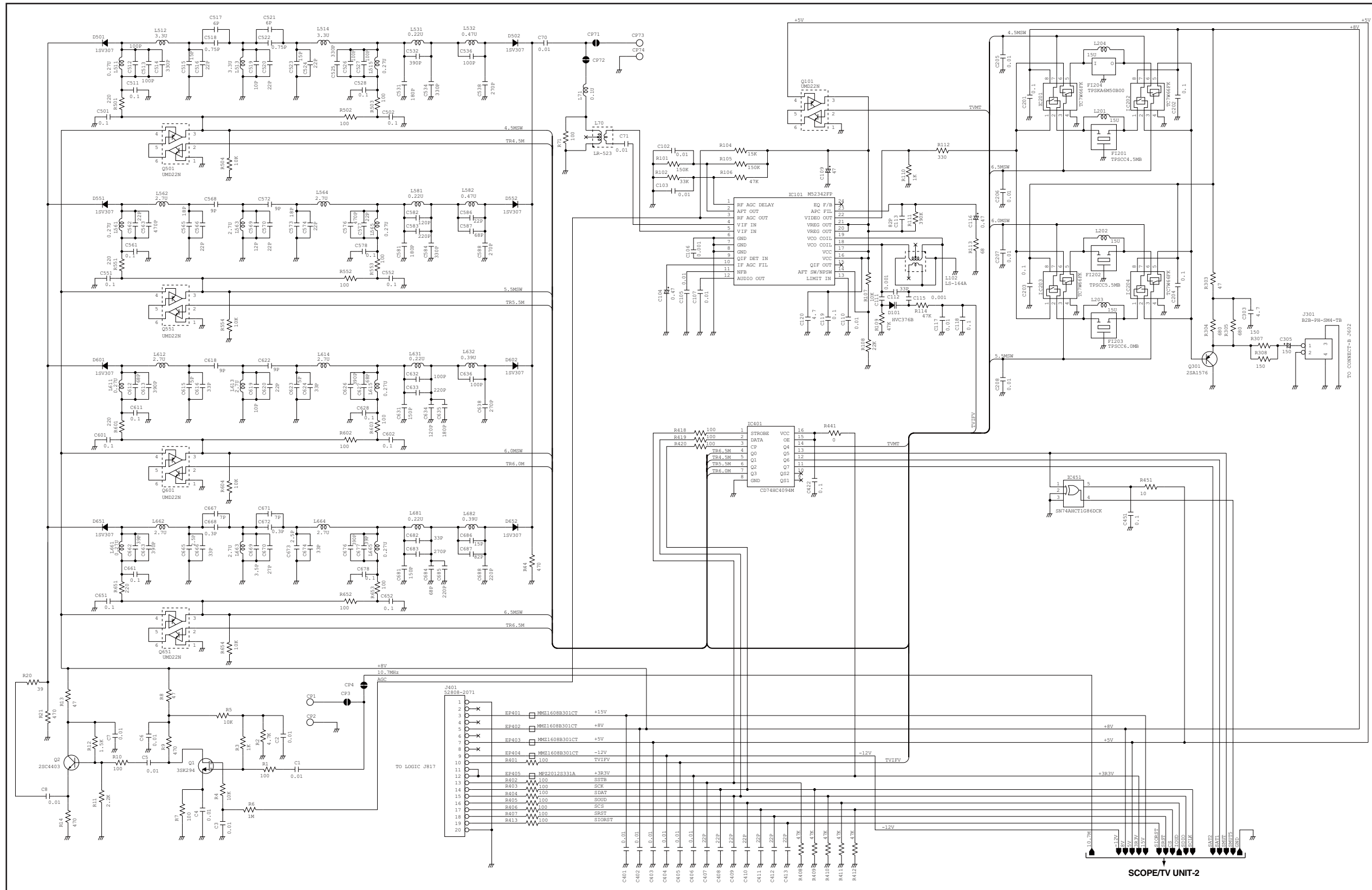
VR-F BOARD

SENSOR BOARD

• CONNECT-B UNIT



• SCOPE/TV UNIT (1)



SCOPE/TV UNIT-2

Nov. 2008



SERVICE MANUAL ADDENDUM

IC-R9500

CONTENTS

PARTS LIST	1
BOARD LAYOUTS	53
SCHEMATIC DIAGRAMS	57

PARTS LIST

[FRONT UNIT]

REF NO.	ORDER NO.	DESCRIPTION	M.	H/V LOCATION
SP1	2510001390	SP 2844 SP BOX <FG>		
W1	8900016130	CBL OPC-1684 (P1,N8,L70) <TJM>		
W2	8900016130	CBL OPC-1684 (P1,N8,L70) <TJM>		
W3	8900016140	CBL OPC-1690 (P1,N24,L100) <TJM>		
W4	8900016150	CBL OPC-1679 (P0.5,N30,L80) <TJM>		
W5	8900007682	CBL OPC-741A-1 (P0.5,N40,L55) <TJM>		
W6	8900015490	CBL OPC-1450A (P1,N10,L53) <TJM>		
W7	8900009400	CBL OPC-926 (P=1 N=24 L=70) except [FRA], [AUS], [CHN]		
	8900017130	CBL OPC-926A (P1,N24,L70) <TJM> [FRA], [AUS], [CHN]		
W8	8900014750	CBL OPC-519A (P0.5,N30,L55) <TJM>		
W9	8900016130	CBL OPC-1684 (P1,N8,L70) <TJM>		
W10	8900016130	CBL OPC-1684 (P1,N8,L70) <TJM>		
W11	8900016130	CBL OPC-1684 (P1,N8,L70) <TJM>		
W12	8900016130	CBL OPC-1684 (P1,N8,L70) <TJM>		
EP1	6910015291	UBD LTA070B790F		
EP2	6910017310	E.OTH JSM5035-010100		

[DISPLAY UNIT]

REF NO.	ORDER NO.	DESCRIPTION	M.	H/V LOCATION
IC1	1130011880	S.IC CD4051BPWR	T	103.9/86.1
IC2	1130011880	S.IC CD4051BPWR	T	121/86.1
IC3	1130011880	S.IC CD4051BPWR	T	30.1/77.6
IC6	1140011820	S.IC M30620FCMGP D5 (SX-2590D)	T	48.1/27.7
IC201	1110006400	S.IC M62343GP D65J	T	68.4/58.2
IC210	1180000421	S.IC TA78L05F (TE12RF)	T	104/63.6
IC601	1130011551	S.IC RX-4581NB-F	T	39/45.9
IC651	1110005821	S.IC R3112N281A-TR-F	T	50.2/68.9
Q200	1560001260	S.FET 2SK3018 T106	T	91.1/47.1
Q201	1530003301	S.TR 2SC3647S-TD-E	T	91.1/26.5
Q202	1530003301	S.TR 2SC3647S-TD-E	T	74.6/63.3
Q203	1530002060	S.TR 2SC4081 T106 R	T	79.6/66.7
Q205	1590003520	S.TR BCR108T [USA], [FRA], [AUS], [CHA] only	T	73/58
Q209	1520000651	S.TR 2SB1201S-TL-E	T	114.6/59.9
Q210	1530002060	S.TR 2SC4081 T106 R	T	108.4/54.9
Q212	1590003520	S.TR BCR108T	T	73/55.8
Q350	1590003520	S.TR BCR108T	T	29.5/85.8
Q351	1590003520	S.TR BCR108T	T	28/83
Q352	1590003520	S.TR BCR108T	T	26.5/85.8
Q370	1590003940	S.TR RN1105 (TE85LF)	T	6.2/80.7
Q371	1590003520	S.TR BCR108T	T	11.8/74
Q375	1590003520	S.TR BCR108T	T	6.2/78.7
Q420	1590003520	S.TR BCR108T	T	40.5/85.3
Q421	1590003520	S.TR BCR108T	T	40.5/82.7
Q601	1510000771	S.TR 2SA1586-GR (TE85LF) [USA], [FRA], [CHA] only	T	20.6/60.7
Q610	1550000090	S.FET RSQ035P03TR	T	20.8/54
Q611	1550000090	S.FET RSQ035P03TR	T	74.7/61.2
Q612	1590003520	S.TR BCR108T	T	26.2/60.9
Q613	1590003520	S.TR BCR108T	T	27.7/54.6
D9	1730002340	S.ZEN MAZ8047GM (TX)	T	110.2/57.1
D12	1730002510	S.ZEN MAZ8027GH(TX)	T	57.6/75.5
D601	1790001250	S.DIO MA2S1110G-(TX)	T	56.4/69.7
D602	1790001250	S.DIO MA2S1110G-(TX)	T	56.4/73.5
D603	1790001250	S.DIO MA2S1110G-(TX)	T	13.9/59
D610	1750001350	S.DIO CLS02 (TE16LQ)	T	13.9/59
D611	1750001350	S.DIO CLS02 (TE16LQ) [USA], [FRA], [CHA] only	T	49.7/44.5
X1	6050009870	S.XTL CR-567 (9.8304 MHz)	T	43.9/84.4
L201	6200001831	S.COL NLV32T-100J	T	86.6/79.7
L210	6190001191	S.COL D10F-#A814AY-101K	T	81.2/38.2
L211	6190001191	S.COL D10F-#A814AY-101K	T	59.5/72.4
L602	6200001831	S.COL NLV32T-100J	T	123/57
R2	7030003440	S.RES ERJ3GEYJ 102 V (1 k)	T	127.3/60
R3	7030003440	S.RES ERJ3GEYJ 102 V (1 k)	T	123/58.2
R4	7030003440	S.RES ERJ3GEYJ 102 V (1 k)	T	127.3/61.2
R5	7030003440	S.RES ERJ3GEYJ 102 V (1 k)	T	123/59.4
R6	7030003440	S.RES ERJ3GEYJ 102 V (1 k)	T	127.3/62.4
R7	7030003440	S.RES ERJ3GEYJ 102 V (1 k)	T	123/60
R8	7030003440	S.RES ERJ3GEYJ 102 V (1 k)	T	127.3/63.6
R9	7030003440	S.RES ERJ3GEYJ 102 V (1 k)	T	123/61
R10	7030003440	S.RES ERJ3GEYJ 102 V (1 k)	T	127.3/64.8
R11	7030003440	S.RES ERJ3GEYJ 102 V (1 k)	T	123/63
R12	7030003440	S.RES ERJ3GEYJ 102 V (1 k)	T	127.3/66
R13	7030003440	S.RES ERJ3GEYJ 102 V (1 k)	T	123/64.2
R14	7030003440	S.RES ERJ3GEYJ 102 V (1 k)	T	127.3/67.2
R15	7030003440	S.RES ERJ3GEYJ 102 V (1 k)	T	123/65.4
R16	7030003440	S.RES ERJ3GEYJ 102 V (1 k)	T	127.3/68.4
R17	7030003440	S.RES ERJ3GEYJ 102 V (1 k)	T	123/66.6

[DISPLAY UNIT]

REF NO.	ORDER NO.	DESCRIPTION	M.	H/V LOCATION
R18	7030003440	S.RES ERJ3GEYJ 102 V (1 k)	T	127.3/70.8
R19	7030003440	S.RES ERJ3GEYJ 102 V (1 k)	T	123/69
R20	7030003440	S.RES ERJ3GEYJ 102 V (1 k)	T	127.3/72
R21	7030003440	S.RES ERJ3GEYJ 102 V (1 k)	T	123/71.4
R22	7030003440	S.RES ERJ3GEYJ 102 V (1 k)	T	127.3/69.6
R23	7030003560	S.RES ERJ3GEYJ 103 V (10 k)	T	123/67.8
R24	7030003560	S.RES ERJ3GEYJ 103 V (10 k)	T	123/70
R25	7030003560	S.RES ERJ3GEYJ 103 V (10 k)	T	127.3/73.2
R26	7030003560	S.RES ERJ3GEYJ 103 V (10 k)	T	72.9/53.4
R200	7030003440	S.RES ERJ3GEYJ 102 V (1 k)	T	96.6/43.6
R201	7030003470	S.RES ERJ3GEYJ 182 V (1.8 k)	T	96.6/32.9
R202	7030003470	S.RES ERJ3GEYJ 182 V (1.8 k)	T	49.7/41.2
R203	7030003800	S.RES ERJ3GEYJ 105 V (1 M)	T	38.1/33.2
R204	7030003560	S.RES ERJ3GEYJ 103 V (10 k)	T	70.7/54.1
R205	7030003640	S.RES ERJ3GEYJ 473 V (47 k)	T	74.5/59.6
R208	7030003360	S.RES ERJ3GEYJ 221 V (220)	T	12.9/24.7
R209	7030003860	S.RES ERJ3GE JPW V	T	12.9/23.4
R210	7030003860	S.RES ERJ3GE JPW V	T	68.7/63.8
R212	7030003660	S.RES ERJ3GEYJ 683 V (68 k)	T	71/63
R213	7030003580	S.RES ERJ3GEYJ 153 V (15 k)	T	50.3/13
R235	7030003440	S.RES ERJ3GEYJ 102 V (1 k)	T	37/85.4
R239	7030003440	S.RES ERJ3GEYJ 102 V (1 k)	T	35.8/85.4
R240	7030003440	S.RES ERJ3GEYJ 102 V (1 k)	T	38.2/85.4
R241	7030003680	S.RES ERJ3GEYJ 104 V (100 k)	T	34.6/85.4
R242	7030003680	S.RES ERJ3GEYJ 104 V (100 k)	T	59.5/13.3
R246	7030003440	S.RES ERJ3GEYJ 102 V (1 k)	T	58.2/13.3
R247	7030003440	S.RES ERJ3GEYJ 102 V (1 k)	T	56.9/13.3
R248	7030003440	S.RES ERJ3GEYJ 102 V (1 k)	T	55.6/13.3
R249	7030003440	S.RES ERJ3GEYJ 102 V (1 k)	T	54.3/13.3
R250	7030003440	S.RES ERJ3GEYJ 102 V (1 k)	T	52.7/13
R251	7030003320	S.RES ERJ3GEYJ 101 V (100)	T	48.4/13.3
R254	7030003680	S.RES ERJ3GEYJ 104 V (100 k)	T	58.5/40
R304	7030003640	S.RES ERJ3GEYJ 473 V (47 k)	T	58.8/29
R306	7030003640	S.RES ERJ3GEYJ 473 V (47 k)	T	24.9/42.4
R310	7030003440	S.RES ERJ3GEYJ 102 V (1 k)	T	24.9/43.6
R311	7030003440	S.RES ERJ3GEYJ 102 V (1 k)	T	110.3/54
R326	7030003360	S.RES ERJ3GEYJ 221 V (220)	T	106.5/54
R327	7030003580	S.RES ERJ3GEYJ 153 V (15 k)	T	104.6/55.2
R339	7070000261	RES ERG2SJ 220 (22)		
R340	7070000261	RES ERG2SJ 220 (22)		
R369	7030003860	S.RES ERJ3GE JPW V	T	19.2/86.8
R370	7030003440	S.RES ERJ3GEYJ 102 V (1 k)	T	14.6/91.4
R371	7030003440	S.RES ERJ3GEYJ 102 V (1 k)	T	19.4/85.6
R372	7030003440	S.RES ERJ3GEYJ 102 V (1 k)	T	14.6/90.2
R373	7030003440	S.RES ERJ3GEYJ 102 V (1 k)	T	19.4/84.4
R374	7030003440	S.RES ERJ3GEYJ 102 V (1 k)	T	14.6/89
R375	7030003440	S.RES ERJ3GEYJ 102 V (1 k)	T	19.4/83.2
R376	7030003440	S.RES ERJ3GEYJ 102 V (1 k)	T	14.6/87.8
R377	7030003440	S.RES ERJ3GEYJ 102 V (1 k)	T	19.4/82
R378	7030003440	S.RES ERJ3GEYJ 102 V (1 k)	T	14.6/86.6
R379	7030003440	S.RES ERJ3GEYJ 102 V (1 k)	T	19.4/80.8
R380	7030003440	S.RES ERJ3GEYJ 102 V (1 k)	T	14.6/85.4
R381	7030003440	S.RES ERJ3GEYJ 102 V (1 k)	T	19.4/79.6
R382	7030003440	S.RES ERJ3GEYJ 102 V (1 k)	T	14.6/84.2
R383	7030003440	S.RES ERJ3GEYJ 102 V (1 k)	T	19.4/78.4
R384	7030003440	S.RES ERJ3GEYJ 102 V (1 k)	T	14.6/83
R385	7030003440	S.RES ERJ3GEYJ 102 V (1 k)	T	14.6/81
R386	7030003440	S.RES ERJ3GEYJ 102 V (1 k)	T	19.3/77.2
R387	7030003440	S.RES ERJ3GEYJ 102 V (1 k)	T	14.6/80.3
R388	7030003440	S.RES ERJ3GEYJ 102 V (1 k)	T	19.6/73.5
R389	7030003440	S.RES ERJ3GEYJ 102 V (1 k)	T	14.6/76.7
R390	7030003440	S.RES ERJ3GEYJ 102 V (1 k)	T	22.3/73
R391	7030003440	S.RES ERJ3GEYJ 102 V (1 k)	T	14.6/75
R392	7030003440	S.RES ERJ3GEYJ 102 V (1 k)	T	14.6/77
R393	7030003560	S.RES ERJ3GEYJ 103 V (10 k)	T	19.3/74.8
R394	7030003560	S.RES ERJ3GEYJ 103 V (10 k)	T	14.6/79.1
R395	7030003560	S.RES ERJ3GEYJ 103 V (10 k)	T	19.3/76
R396	7030003560	S.RES ERJ3GEYJ 103 V (10 k)	T	36.1/32.5
R503	7030003640	S.RES ERJ3GEYJ 473 V (47 k)	T	51.5/13
R532	7030003440	S.RES ERJ3GEYJ 102 V (1 k)	T	18.2/13.9
R560	7030003440	S.RES ERJ3GEYJ 102 V (1 k)	T	19.4/13.9
R561	7030003440	S.RES ERJ3GEYJ 102 V (1 k)	T	20.6/13.9
R562	7030003440	S.RES ERJ3GEYJ 102 V (1 k)	T	21.8/13
R563	7030003440	S.RES ERJ3GEYJ 102 V (1 k)	T	23/13.9
R564	7030003440	S.RES ERJ3GEYJ 102 V (1 k)	T	24.2/13.9
R565	7030003440	S.RES ERJ3GEYJ 102 V (1 k)	T	25.4/13.9
R566	7030003440	S.RES ERJ3GEYJ 102 V (1 k)	T	26.6/13.9
R567	7030003440	S.RES ERJ3GEYJ 102 V (1 k)	T	27.8/13.9
R568	7030003440	S.RES ERJ3GEYJ 102 V (1 k)	T	29/13.9
R569	7030003440	S.RES ERJ3GEYJ 102 V (1 k)	T	30.2/13.9
R570	7030003440	S.RES ERJ3GEYJ 102 V (1 k)	T	31.4/13.9
R571	7030003440	S.RES ERJ3GEYJ 102 V (1 k)	T	32.6/13.9
R572	7030003440	S.RES ERJ3GEYJ 102 V (1 k)	T	33.8/13.9
R573	7030003440	S.RES ERJ3GEYJ 102 V (1 k)	T	35/13.9
R574	7030003440	S.RES ERJ3GEYJ 102 V (1 k)	T	36.2/13.9
R575	7030003440	S.RES ERJ3GEYJ 102 V (1 k)	T	37.4/13.9
R576	7030003440	S.RES ERJ3GEYJ 102 V (1 k)	T	38.6/13.9
R577	7030003440	S.RES ERJ3GEYJ 102 V (1 k)	T	39.8/13.9
R578	7030003440	S.RES ERJ3GEYJ 102 V (1 k)	T	41/13.9
R579	7030003440	S.RES ERJ3GEYJ 102 V (1 k)	T	42.2/13.9
R580	7030003440	S.RES ERJ3GEYJ 102 V (1 k)	T	43.4/13.9
R581	7030003440	S.RES ERJ3GEYJ 102 V (1 k)	T	53.5/68.5

[DISPLAY UNIT]

REF NO.	ORDER NO.	DESCRIPTION	M.	H/V LOCATION
R612	7030003560	S.RES ERJ3GEYJ 103 V (10 k)	T	23.2/55.7
R613	7030003560	S.RES ERJ3GEYJ 103 V (10 k)	T	9.3/71.1
R614	7030003860	S.RES ERJ3GE JPW V	T	9.3/69.9
R615	7030003860	S.RES ERJ3GE JPW V	T	9.3/67.5
R616	7030003860	S.RES ERJ3GE JPW V	T	9.6/73
R617	7030003720	S.RES ERJ3GEYJ 224 V (220 k)	T	9.3/68.7
R618	7030003720	S.RES ERJ3GEYJ 224 V (220 k)	T	9.3/66.3
R619	7030003720	S.RES ERJ3GEYJ 224 V (220 k)	T	50.6/73.7
R651	7030003650	S.RES ERJ3GEYJ 563 V (56 k)	T	50.6/72.5
R652	7030003620	S.RES ERJ3GEYJ 333 V (33 k)	T	53.5/66.6
R653	7030003520	S.RES ERJ3GEYJ 472 V (4.7 k)	T	25.7/57.5
C1	4030011600	S.CER C1608 JB 1E 104K-T	T	131.3/74.7
C8	4030011600	S.CER C1608 JB 1E 104K-T	T	108.2/58.5
C200	4030011600	S.CER C1608 JB 1E 104K-T	T	93.6/36.5
C201	4340000360	S.MLR ECWU1H104JC9	T	125.1/37.2
C202	4030019160	S.CER C4520 CH 3F 100FT	T	50.5/39.9
C203	4030007020	S.CER C1608 CH 1H 120J-T	T	47.9/40
C204	4030007020	S.CER C1608 CH 1H 120J-T	T	109/64
C205	4550007370	S.TAN F931V225MBABMA	T	71/60
C206	4030011600	S.CER C1608 JB 1E 104K-T	T	32.5/81.1
C207	4030011600	S.CER C1608 JB 1E 104K-T	T	120.8/89.6
C208	4030011600	S.CER C1608 JB 1E 104K-T	T	104.2/89.6
C209	4030011600	S.CER C1608 JB 1E 104K-T	T	100.3/64.6
C210	4030011600	S.CER C1608 JB 1E 104K-T	T	65.8/60.4
C211	4030011600	S.CER C1608 JB 1E 104K-T	T	69/66.9
C212	4030011600	S.CER C1608 JB 1E 104K-T	T	77.8/52
C213	4510009150	S.ELE EEE1EA470WP	T	72.5/68.7
C214	4510008800	S.ELE EEE1EA100SR	T	101.7/55.2
C215	4030011600	S.CER C1608 JB 1E 104K-T	T	62.3/11.2
C216	4030011600	S.CER C1608 JB 1E 104K-T	T	38.9/79.7
C217	4030011600	S.CER C1608 JB 1E 104K-T	T	44.3/77.9
C218	4510009150	S.ELE EEE1EA470WP	T	40.1/79.7
C219	4030006860	S.CER C1608 JB 1H 102K-T	T	103.9/59.3
C220	4550007510	S.TAN F931C106MBABMA	T	104.6/54
C221	4030011600	S.CER C1608 JB 1E 104K-T	T	90.7/36.6
C222	4340000330	S.MLR ECHU1H103J	T	88.6/36.6
C223	4340000330	S.MLR ECHU1H103J	T	48.1/38.2
C224	4030011600	S.CER C1608 JB 1E 104K-T	T	47.6/17.4
C231	4030011600	S.CER C1608 JB 1E 104K-T	T	58/31.2
C232	4030011600	S.CER C1608 JB 1E 104K-T	T	50.3/81.1
C235	4030011600	S.CER C1608 JB 1E 104K-T	T	105.5/75.5
C241	4030011600	S.CER C1608 JB 1E 104K-T	T	106.7/75.5
C242	4030011600	S.CER C1608 JB 1E 104K-T	T	104.3/75.5
C243	4030011600	S.CER C1608 JB 1E 104K-T	T	103.1/75.5
C244	4030011600	S.CER C1608 JB 1E 104K-T	T	110.1/87.8
C245	4030011600	S.CER C1608 JB 1E 104K-T	T	110.1/86.6
C246	4030011600	S.CER C1608 JB 1E 104K-T	T	110.1/85.4
C247	4030011600	S.CER C1608 JB 1E 104K-T	T	110.1/84.2
C248	4030011600	S.CER C1608 JB 1E 104K-T	T	127.1/84.6
C253	4030011600	S.CER C1608 JB 1E 104K-T	T	127.1/85.8
C254	4030011600	S.CER C1608 JB 1E 104K-T	T	127.1/87
C255	4030011600	S.CER C1608 JB 1E 104K-T	T	127.1/88.2
C256	4030011600	S.CER C1608 JB 1E 104K-T	T	50.7/66.5
C501	4030008890	S.CER C1608 JB 1H 273K-T	T	53.7/77.3
C601	4510008800	S.ELE EEE1EA100SR	T	39.2/41.8
C602	4030011600	S.CER C1608 JB 1E 104K-T	T	8.5/58
C610	4030006900	S.CER C1608 JB 1H 103K-T	T	8.5/54.9
C611	4030006900	S.CER C1608 JB 1H 103K-T	T	133.2/55.8
C613	4030011600	S.CER C1608 JB 1E 104K-T	T	28.8/61.2
C614	4030006860	S.CER C1608 JB 1H 102K-T	T	30.2/54.2
C615	4030006860	S.CER C1608 JB 1H 102K-T	T	8.4/74.1
C616	4030011600	S.CER C1608 JB 1E 104K-T	T	50.6/71.3
C652	4030011600	S.CER C1608 JB 1E 104K-T	T	10.7/86.3
J1	6510021721	S.CNR 30FLT-SM2-TB (LF) (SN)	T	131.5/65.2
J3	6510021721	S.CNR 30FLT-SM2-TB (LF) (SN)	T	30.8/8.8
J4	6510021561	S.CNR 52808-2470 (2490)	T	25/90.1
J5	6510019971	S.CNR 52808-1071	T	55.4/8.8
J7	6510019971	S.CNR 52808-1071	T	6.2/28.7
J201	6510022471	S.CNR 40FLT-SM2-TB (LF) (SN)	T	11.8/48.5
J202	6510022471	S.CNR 40FLT-SM2-TB (LF) (SN)	T	44/90.1
J203	6510020081	S.CNR 52808-2071 (2090)	T	131.7/38.9
J601	6510021861	CNR BH-800.4GG <LTC>	T	2.5/56.7
J610	6510022191	S.CNR B3B-PH-SM4-TB (LF) (SN)	T	2.5/70.9
T201	5910001050	TSM 3319-T106-LF		
BT601	3020000110	LTM CR2032		
EP203	6910014730	S.BEA MPZ2012S331A-T	T	49.3/84.4
EP205	6910014730	S.BEA MPZ2012S331A-T	T	60.8/34.8
EP208	6910014730	S.BEA MPZ2012S331A-T	T	47.5/84.4

[LOGIC UNIT]

REF NO.	ORDER NO.	DESCRIPTION	M.	H/V LOCATION
IC1	1140011551	S.IC MT48LC16M16A2P-75	B	74/106.9
IC2	1140011551	S.IC MT48LC16M16A2P-75	T	74/114
IC51	1130011591	S.IC IDT70V24L15PFG	B	110.2/71
IC52	1140009781	S.IC XC9572XL-10TQG100C	B	131.2/71
IC53	1110005821	S.IC R3112N281A-TR-F	T	160.2/52
IC54	1130007431	S.IC TC7S14FU (TE85R,F)	T	164.5/51.8
IC55	1130008041	S.IC TC7SH04FU (TE85L,JF)	T	112.6/49.4
IC101	1130011010	S.IC SN74CBTLV3257PWR <ACE>	T	39.9/90.3
IC102	1130006441	S.IC TC7S08F (TE85R,F)	T	76.7/54
IC103	1140011561	S.IC HD641751RBP200V	T	68.2/79.9
IC104	1130008361	S.IC TC7SHU04FU (TE85L,JF)	T	24.1/75.9
IC105	1130013700	S.IC CY2292FXC (RX-2844H)	T	27.3/84
IC106	1130011110	S.IC TC74VCX04FT (EL)	T	24.7/93.6
IC201	1130014630	S.IC MT48LC16M16A2P-75 IT:D	B	142.7/92.3
IC201	1140011551	S.IC MT48LC16M16A2P-75	B	142.7/92.3
IC202	1140011551	S.IC MT48LC16M16A2P-75	B	142.8/110.5
IC203	1140011571	S.IC HD64404BTDV	T	112.1/93.4
IC204	1140011581	S.IC ADV7123KSTZ50	B	116.7/134.5
IC205	1130011941	S.IC TC7S204F (TE85L,F)	T	111.2/139.8
IC206	1130012150	S.IC SN74ACT04PWR	B	165.5/94.4
IC207	1130005721	S.IC TC7W04F (TE12L,F)	B	15/67
IC208	1130011951	S.IC PD16875G-E1-A	B	8.2/67
IC209	1190001920	S.IC AK5355-VT-E2	B	86.7/126.2
IC211	1190001910	S.IC AK4384-VT-E2	B	86.7/133.2
IC212	1130013830	S.IC TC7SA34FU (TE85L,F)	B	106.9/122.1
IC401	1130010970	S.IC PCI1410APGE	B	38.2/63.5
IC402	1130011960	S.IC TPS2211AIDBR	B	36.5/46.2
IC403	1130009570	S.IC BR93LC46F-WE2	T	38.9/81.8
IC404	1130010990	S.IC RTL8139C+ <GMI>	B	37.7/91.5
IC405	1130013830	S.IC TC7SA34FU (TE85L,F)	T	39.1/56.7
IC601	1130012781	S.IC SN74AHC22G04HDC3	B	53.6/36.6
IC604	1140011590	S.IC HD64F2377VFQ33V (EMPTY)	B	101.7/45.5
IC605	1140009781	S.IC XC9572XL-10TQG100C	B	155.7/72
IC607	1130006441	S.IC TC7S08F (TE85R,F)	B	74.3/37.6
IC608	1130006441	S.IC TC7S08F (TE85R,F)	B	78/37.6
IC609	1130005252	S.IC TC74HC08AF (EL,F)	B	74.7/44.8
IC610	1130012830	S.IC HN58X24512FPIEZ (SOP8)	B	64.7/50
IC801	1180001251	S.IC TA7805F (TE16L,Q)	B	176.5/150.4
IC802	1180001071	S.IC TA7805F (TE16L,Q)	B	190.5/138
IC803	1180001071	S.IC TA7805F (TE16L,Q)	B	23.8/5.2
IC804	1180002020	S.REG BA033FP-E2	B	182.1/38.2
IC805	1180002601	S.REG TA48015F (TE16L,NQ)	B	15.7/15
IC806	1180001071	S.IC TA7805F (TE16L,Q)	B	50.8/147.3
IC855	1190002140	S.IC SAA7115HLV1	T	136.3/136.1
IC856	1190002150	S.IC SAA7105HV1	B	140.5/35.3
IC923	1130012000	S.IC M62352AGF C60Q	T	17/132.9
IC1001	1110003870	S.IC NJM2058M-TE1-#ZZZB	B	29.3/127.5
IC1031	1110005080	S.IC NJM2246M-TE1-#ZZZB	T	164.3/131.3
Q601	1530002060	S.TR 2SC4081 T106 R	B	48.2/37.8
Q602	1510000510	S.TR 2SA1576A T106R	B	48.2/33.7
Q1031	1530002060	S.TR 2SC4081 T106 R	T	171.5/137.1
Q1032	1590003530	S.TR BCR08PN except [USA], [FRA], [AUS], [CHN] UMD22N TR [USA], [FRA], [AUS], [CHN]	T	37.3/24.4
D201	1790000980	S.DIO MA742 (TX)	B	116.7/144.5
D202	1790000980	S.DIO MA742 (TX)	B	116.7/147.7
D203	1790000980	S.DIO MA742 (TX)	B	116.6/150.6
D204	1790000980	S.DIO MA742 (TX)	B	174.6/102.5
D205	1790000980	S.DIO MA742 (TX)	B	174.6/99.7
D206	1790000980	S.DIO MA742 (TX)	B	27.3/36.4
D207	1790000980	S.DIO MA742 (TX)	B	27.3/33.9
D601	1750000550	S.DIO 1SS355 TE-17	B	45.8/37
D653	1750000550	S.DIO 1SS355 TE-17 [EUR], [UK], [AUS] only	T	159.9/82.2
D654	1750000550	S.DIO 1SS355 TE-17 [EUR], [UK], [AUS] only	T	158.1/82.2
D655	1750000550	S.DIO 1SS355 TE-17 [EUR], [UK], [AUS] only	T	154.5/82.2
D656	1750000550	S.DIO 1SS355 TE-17	T	150.9/82.2
D657	1750000550	S.DIO 1SS355 TE-17	T	150.9/82.2
D658	1750000550	S.DIO 1SS355 TE-17 [EUR], [UK], [AUS] only	T	152.7/82.2
D663	1750000550	S.DIO 1SS355 TE-17 [EUR], [UK], [AUS] only	B	181.2/104.8
D665	1750000550	S.DIO 1SS355 TE-17 [EUR], [UK], [AUS] only	B	181.2/99.6
X101	6050011610	S.XTL CR-751 (25.000 MHz)	T	17.6/78.1
X201	6050010680	S.XTL CR-628 (24.576 MHz)	T	119.6/109.6
X202	6050011910	S.XTL CR-780 (48 MHz)	T	115.2/76.7
X601	6050011810	S.XTL CR-755 (15.9744 MHz)	T	96.6/28.6
L101	6200004940	S.COL MLF1608D R27K-T	T	19.8/92.2
L102	6200004940	S.COL MLF1608D R27K-T	T	22.1/97
L103	6200004940	S.COL MLF1608D R27K-T	T	29.6/94
L203	6200002631	S.COL NLV25T-R10J	B	120.2/145.8
L204	6200002631	S.COL NLV25T-R10J	B	120.2/152.2
L205	6200002631	S.COL NLV25T-R10J	B	113/150
L380	6200004961	S.COL NLV25T-R33J	T	109.5/120.8
L381	6200004961	S.COL NLV25T-R33J	T	106.6/123
L382	6200004961	S.COL NLV25T-R33J	B	103.8/118.3
L383	6200004961	S.COL NLV25T-R33J	B	100.4/118.3
L561	6200003091	S.COL NLV32T-2R7J	B	157.6/34
L562	6200003091	S.COL NLV32T-2R7J	B	157.7/39.8
L826	6180003321	S.COL SLF6028T-150M1R0-PF	T	178.8/77.5
L901	6200003241	S.COL NLV32T-221J	B	5/104.7
L962	6200002041	S.COL NLV25T-101J	T	29.1/11.3

M.=Mounted side (T: Mounted on the Top side B: Mounted on the Bottom side) S.=Surface mount

[LOGIC UNIT]

REF NO.	ORDER NO.	DESCRIPTION	M.	H/V LOCATION
L1053	6910000670	COL BL01RN1A1D2B (BL01RN1-A62) [EUR], [UK], [AUS] only		
R1	7030003520	S.RES ERJ3GEYJ 472 V (4.7 k)	T	106.3/116.3
R2	7030003560	S.RES ERJ3GEYJ 103 V (10 k)	T	107.6/116.3
R51	7030003520	S.RES ERJ3GEYJ 472 V (4.7 k)	T	164/102.4
R52	7030003560	S.RES ERJ3GEYJ 103 V (10 k)	T	156.6/51.8
R59	7030003260	S.RES ERJ3GEYJ 330 V (33)	T	136.2/73.4
R101	7030003680	S.RES ERJ3GEYJ 104 V (100 k)	T	34/90.2
R102	7030003520	S.RES ERJ3GEYJ 472 V (4.7 k)	T	45.7/88.7
R103	7030003520	S.RES ERJ3GEYJ 472 V (4.7 k)	T	45.7/90.7
R104	7030003520	S.RES ERJ3GEYJ 472 V (4.7 k)	T	34.5/88.3
R105	7030003520	S.RES ERJ3GEYJ 472 V (4.7 k)	T	34/91.5
R106	7030003560	S.RES ERJ3GEYJ 103 V (10 k)	B	69.3/75.1
R107	7030003560	S.RES ERJ3GEYJ 103 V (10 k)	B	64.1/75.1
R108	7030003560	S.RES ERJ3GEYJ 103 V (10 k)	B	63.1/64.5
R109	7030003560	S.RES ERJ3GEYJ 103 V (10 k)	B	66.7/73.8
R110	7030003560	S.RES ERJ3GEYJ 103 V (10 k)	T	69.6/64.3
R111	7030003560	S.RES ERJ3GEYJ 103 V (10 k)	B	69.3/73.8
R112	7030003560	S.RES ERJ3GEYJ 103 V (10 k)	T	68.3/64.3
R113	7030003560	S.RES ERJ3GEYJ 103 V (10 k)	B	64.1/73.8
R114	7030003560	S.RES ERJ3GEYJ 103 V (10 k)	B	60.5/64.5
R115	7030003560	S.RES ERJ3GEYJ 103 V (10 k)	B	64.1/77.7
R116	7030003560	S.RES ERJ3GEYJ 103 V (10 k)	B	64.1/76.4
R117	7030003260	S.RES ERJ3GEYJ 330 V (33)	B	57.9/64.5
R118	7030003560	S.RES ERJ3GEYJ 103 V (10 k)	B	64.1/77.7
R119	7030003560	S.RES ERJ3GEYJ 103 V (10 k)	B	55.9/65
R120	7030003560	S.RES ERJ3GEYJ 103 V (10 k)	B	64.1/80.3
R121	7030003560	S.RES ERJ3GEYJ 103 V (10 k)	B	57.9/61.9
R122	7030003560	S.RES ERJ3GEYJ 103 V (10 k)	B	54/71
R123	7030003560	S.RES ERJ3GEYJ 103 V (10 k)	B	57.9/60.6
R124	7030003680	S.RES ERJ3GEYJ 104 V (100 k)	T	65.7/64.3
R125	7030003520	S.RES ERJ3GEYJ 472 V (4.7 k)	T	67/64.3
R126	7030003560	S.RES ERJ3GEYJ 103 V (10 k)	B	66.7/76.4
R127	7030003560	S.RES ERJ3GEYJ 103 V (10 k)	B	66.7/75.1
R128	7030003560	S.RES ERJ3GEYJ 103 V (10 k)	T	68.3/60.7
R129	7030003560	S.RES ERJ3GEYJ 103 V (10 k)	T	69.6/61.7
R130	7030003560	S.RES ERJ3GEYJ 103 V (10 k)	B	71.1/65.5
R131	7030003560	S.RES ERJ3GEYJ 103 V (10 k)	B	69.3/76.4
R132	7030003560	S.RES ERJ3GEYJ 103 V (10 k)	T	70.9/64.3
R133	7030003560	S.RES ERJ3GEYJ 103 V (10 k)	T	70.9/61.7
R134	7030003200	S.RES ERJ3GEYJ 100 V (10)	B	71.9/73.8
R135	7030003200	S.RES ERJ3GEYJ 100 V (10)	B	71.9/75.1
R136	7030003200	S.RES ERJ3GEYJ 100 V (10)	B	84.8/65.5
R137	7030004050	S.RES ERJ3GEYJ 1R0 V (1)	B	64.1/83
R138	7030003560	S.RES ERJ3GEYJ 103 V (10 k)	B	64.1/84.3
R139	7030003560	S.RES ERJ3GEYJ 103 V (10 k)	B	64.4/93
R140	7410000990	S.ARY EXB-V8V 470JV (47)	T	61.7/97.7
R141	7410000990	S.ARY EXB-V8V 470JV (47)	T	58/97.7
R142	7410000990	S.ARY EXB-V8V 470JV (47)	T	69.1/97.7
R143	7410000990	S.ARY EXB-V8V 470JV (47)	T	76.5/97.7
R144	7410000990	S.ARY EXB-V8V 470JV (47)	T	65.4/97.7
R145	7410000990	S.ARY EXB-V8V 470JV (47)	T	72.8/97.7
R146	7030003280	S.RES ERJ3GEYJ 470 V (47)	T	84.7/96.7
R147	7030003280	S.RES ERJ3GEYJ 470 V (47)	T	84.7/95.4
R148	7410000990	S.ARY EXB-V8V 470JV (47)	T	80.2/97.7
R149	7410000990	S.ARY EXB-V8V 470JV (47)	T	84.7/69.9
R150	7410000990	S.ARY EXB-V8V 470JV (47)	T	84.7/73.6
R151	7410000990	S.ARY EXB-V8V 470JV (47)	T	84.7/77.3
R152	7410000990	S.ARY EXB-V8V 470JV (47)	T	84.7/81
R153	7030003200	S.RES ERJ3GEYJ 100 V (10)	T	84.7/98
R154	7410000990	S.ARY EXB-V8V 470JV (47)	T	84.7/84.7
R155	7410000990	S.ARY EXB-V8V 470JV (47)	T	84.7/88.4
R156	7410000990	S.ARY EXB-V8V 470JV (47)	T	84.7/92.9
R157	7410000800	S.ARY EXB-V8V 103JV (10 k)	T	92.1/53.7
R158	7030003560	S.RES ERJ3GEYJ 103 V (10 k)	T	91.4/49.8
R159	7030003560	S.RES ERJ3GEYJ 103 V (10 k)	T	79/56.3
R161	7030003250	S.RES ERJ3GEYJ 270 V (27)	T	23.8/79.6
R162	7030003800	S.RES ERJ3GEYJ 105 V (1 M)	T	20.9/76.7
R163	7030003320	S.RES ERJ3GEYJ 101 V (100)	T	27.2/90.2
R164	7030003250	S.RES ERJ3GEYJ 270 V (27)	B	25.5/83.3
R165	7030003340	S.RES ERJ3GEYJ 151 V (150)	T	21.5/73.5
R168	7030003430	S.RES ERJ3GEYJ 821 V (820)	T	33.2/81.3
R169	7030003330	S.RES ERJ3GEYJ 121 V (120)	T	34/84.2
R170	7030003600	S.RES ERJ3GEYJ 223 V (22 k)	B	53.9/55.3
R171	7030003600	S.RES ERJ3GEYJ 223 V (22 k)	B	50/90.2
R172	7030003600	S.RES ERJ3GEYJ 223 V (22 k)	B	50/91.5
R173	7030003600	S.RES ERJ3GEYJ 223 V (22 k)	B	53.3/92.3
R174	7030003600	S.RES ERJ3GEYJ 223 V (22 k)	B	53.3/93.7
R175	7030003600	S.RES ERJ3GEYJ 223 V (22 k)	B	53.3/95
R176	7030003600	S.RES ERJ3GEYJ 223 V (22 k)	B	50/88.9
R201	7030003720	S.RES ERJ3GEYJ 224 V (220 k)	T	128.2/109.9
R202	7030003720	S.RES ERJ3GEYJ 224 V (220 k)	T	129.5/109.9
R203	7030003720	S.RES ERJ3GEYJ 224 V (220 k)	T	130.8/109.9
R204	7030003720	S.RES ERJ3GEYJ 224 V (220 k)	T	132.1/109.9
R205	7030003720	S.RES ERJ3GEYJ 224 V (220 k)	T	133.4/109.9
R206	7030003720	S.RES ERJ3GEYJ 224 V (220 k)	T	134.7/109.9
R207	7030003720	S.RES ERJ3GEYJ 224 V (220 k)	T	136/109.9
R208	7030003720	S.RES ERJ3GEYJ 224 V (220 k)	T	137.3/109.9
R209	7030003720	S.RES ERJ3GEYJ 224 V (220 k)	T	129.2/100.6
R212	7030003640	S.RES ERJ3GEYJ 473 V (47 k)	T	98.4/97.8
R213	7030003640	S.RES ERJ3GEYJ 473 V (47 k)	T	98.4/99.1
R218	7030003520	S.RES ERJ3GEYJ 472 V (4.7 k)	T	134.2/67.2
R219	7030003520	S.RES ERJ3GEYJ 472 V (4.7 k)	T	99.2/94.4
R220	7030003520	S.RES ERJ3GEYJ 472 V (4.7 k)	B	108.8/89.4
R221	7030003560	S.RES ERJ3GEYJ 103 V (10 k)	T	98.4/88.7
R225	7030003560	S.RES ERJ3GEYJ 103 V (10 k)	B	108.8/94.6
R226	7030003560	S.RES ERJ3GEYJ 103 V (10 k)	B	108.8/95.9
R227	7030003560	S.RES ERJ3GEYJ 103 V (10 k)	T	106.7/113.2
R228	7030003560	S.RES ERJ3GEYJ 103 V (10 k)	T	106.7/110.2
R229	7030003560	S.RES ERJ3GEYJ 103 V (10 k)	T	106.2/107.2
R230	7030003560	S.RES ERJ3GEYJ 103 V (10 k)	T	108/110.2
R231	7030003560	S.RES ERJ3GEYJ 103 V (10 k)	T	107.6/107.2

[LOGIC UNIT]

REF NO.	ORDER NO.	DESCRIPTION	M.	H/V LOCATION
R232	7030003560	S.RES ERJ3GEYJ 103 V (10 k)	B	108.1/98.2
R233	7030003560	S.RES ERJ3GEYJ 103 V (10 k)	T	108/113.2
R234	7030003560	S.RES ERJ3GEYJ 103 V (10 k)	T	108.9/107.2
R235	7030003560	S.RES ERJ3GEYJ 103 V (10 k)	T	109.3/110.2
R236	7030003560	S.RES ERJ3GEYJ 103 V (10 k)	T	109.3/113.2
R237	7030003560	S.RES ERJ3GEYJ 103 V (10 k)	B	109.4/98.2
R238	7030003560	S.RES ERJ3GEYJ 103 V (10 k)	T	110.2/107.2
R239	7030003560	S.RES ERJ3GEYJ 103 V (10 k)	T	110.6/110.2
R240	7030003560	S.RES ERJ3GEYJ 103 V (10 k)	T	110.6/113.2
R241	7030003560	S.RES ERJ3GEYJ 103 V (10 k)	B	111.7/104.4
R242	7030003560	S.RES ERJ3GEYJ 103 V (10 k)	T	111.6/107.2
R243	7030003560	S.RES ERJ3GEYJ 103 V (10 k)	B	110.7/98.2
R244	7030003560	S.RES ERJ3GEYJ 103 V (10 k)	T	111.3/79.7
R245	7030003560	S.RES ERJ3GEYJ 103 V (10 k)	T	104.8/79.7
R246	7030003560	S.RES ERJ3GEYJ 103 V (10 k)	T	103.5/76.6
R247	7030003560	S.RES ERJ3GEYJ 103 V (10 k)	B	111.4/89.4
R248	7030003560	S.RES ERJ3GEYJ 103 V (10 k)	T	106.1/79.7
R249	7030003560	S.RES ERJ3GEYJ 103 V (10 k)	T	100.9/79.7
R250	7030003560	S.RES ERJ3GEYJ 103 V (10 k)	T	102.2/79.7
R251	7030003560	S.RES ERJ3GEYJ 103 V (10 k)	T	104.8/76.6
R252	7030003560	S.RES ERJ3GEYJ 103 V (10 k)	T	102.2/76.6
R253	7030003560	S.RES ERJ3GEYJ 103 V (10 k)	T	98.4/90
R254	7030003560	S.RES ERJ3GEYJ 103 V (10 k)	T	103.5/79.7
R255	7030003560	S.RES ERJ3GEYJ 103 V (10 k)	T	100.9/76.6
R256	7030003560	S.RES ERJ3GEYJ 103 V (10 k)	B	111.4/92
R257	7030003560	S.RES ERJ3GEYJ 103 V (10 k)	T	107.4/79.7
R258	7030003560	S.RES ERJ3GEYJ 103 V (10 k)	B	111.4/93.3
R259	7030003560	S.RES ERJ3GEYJ 103 V (10 k)	T	107.4/76.6
R260	7030003560	S.RES ERJ3GEYJ 103 V (10 k)	B	111.4/94.6
R261	7030003560	S.RES ERJ3GEYJ 103 V (10 k)	T	108.7/76.6
R262	7030003560	S.RES ERJ3GEYJ 103 V (10 k)	B	111.4/95.9
R263	7030003560	S.RES ERJ3GEYJ 103 V (10 k)	B	108.7/81.6
R264	7030003560	S.RES ERJ3GEYJ 103 V (10 k)	B	112.7/87.6
R265	7030003560	S.RES ERJ3GEYJ 103 V (10 k)	T	107.4/74
R266	7030003560	S.RES ERJ3GEYJ 103 V (10 k)	T	108.7/74
R267	7030003560	S.RES ERJ3GEYJ 103 V (10 k)	T	110/79.7
R268	7030003560	S.RES ERJ3GEYJ 103 V (10 k)	B	106.1/81.6
R269	7030003560	S.RES ERJ3GEYJ 103 V (10 k)	T	108.7/79.7
R270	7030003560	S.RES ERJ3GEYJ 103 V (10 k)	T	106.1/76.6
R271	7030003560	S.RES ERJ3GEYJ 103 V (10 k)	T	106.1/74
R272	7030003560	S.RES ERJ3GEYJ 103 V (10 k)	B	129.4/86.1
R273	7030003560	S.RES ERJ3GEYJ 103 V (10 k)	T	128.7/83.2
R274	7030003560	S.RES ERJ3GEYJ 103 V (10 k)	B	114.6/94.7
R275	7030003560	S.RES ERJ3GEYJ 103 V (10 k)	T	125.7/84.5
R276	7030003560	S.RES ERJ3GEYJ 103 V (10 k)	T	121.5/79.8
R277	7030003560	S.RES ERJ3GEYJ 103 V (10 k)	T	128.7/81.6
R278	7030003560	S.RES ERJ3GEYJ 103 V (10 k)	T	128.7/80.6
R279	7030003560	S.RES ERJ3GEYJ 103 V (10 k)	B	114.6/96
R280	7030003560	S.RES ERJ3GEYJ 103 V (10 k)	T	128.7/84.5
R281	7030003560	S.RES ERJ3GEYJ 103 V (10 k)	B	115.3/90.2
R282	7030003560	S.RES ERJ3GEYJ 103 V (10 k)	B	114/90.2
R283	7030003560	S.RES ERJ3GEYJ 103 V (10 k)	B	119.2/80.8
R284	7030003560	S.RES ERJ3GEYJ 103 V (10 k)	B	120.5/80.8
R285	7030003560	S.RES ERJ3GEYJ 103 V (10 k)	B	114.6/93.4
R286	7030003560	S.RES ERJ3GEYJ 103 V (10 k)	T	128.7/79.3
R287	7030003560	S.RES ERJ3GEYJ 103 V (10 k)	T	118.9/79.8
R288	7030003560	S.RES ERJ3GEYJ 103 V (10 k)	T	123.4/78.4
R289	7030003560	S.RES ERJ3GEYJ 103 V (10 k)	T	117.6/79.8
R290	7030003560	S.RES ERJ3GEYJ 103 V (10 k)	B	114.6/92
R291	7030003560	S.RES ERJ3GE		

[LOGIC UNIT]

REF NO.	ORDER NO.	DESCRIPTION	M.	H/V LOCATION
R353	7030003860	S.RES ERJ3GE JPW V	B	185.9/82.2
R355	7030003860	S.RES ERJ3GE JPW V	B	185.9/83.5
R356	7030003860	S.RES ERJ3GE JPW V	B	173.7/82.4
R361	7030003320	S.RES ERJ3GEYJ 101 V (100)	T	108.8/139
R371	7030003560	S.RES ERJ3GEYJ 103 V (10 k)	T	112/113.2
R372	7030003560	S.RES ERJ3GEYJ 103 V (10 k)	B	116.1/105.8
R373	7030003560	S.RES ERJ3GEYJ 103 V (10 k)	B	119.2/105.9
R374	7030003560	S.RES ERJ3GEYJ 103 V (10 k)	T	112.9/107.2
R375	7030003560	S.RES ERJ3GEYJ 103 V (10 k)	T	112/110.2
R376	7030003560	S.RES ERJ3GEYJ 103 V (10 k)	B	111.7/105.7
R377	7030003560	S.RES ERJ3GEYJ 103 V (10 k)	T	110.1/74
R378	7030003560	S.RES ERJ3GEYJ 103 V (10 k)	T	123.4/79.8
R381	7030003240	S.RES ERJ3GEYJ 220 V (22)	T	107.6/120.5
R382	7030003240	S.RES ERJ3GEYJ 220 V (22)	T	106.3/120.5
R383	7030003280	S.RES ERJ3GEYJ 470 V (47)	B	101.4/120.2
R385	7030003280	S.RES ERJ3GEYJ 470 V (47)	B	117.9/105.9
R386	7030003280	S.RES ERJ3GEYJ 470 V (47)	B	104.2/120.9
R387	7030003280	S.RES ERJ3GEYJ 470 V (47)	B	101.4/121.5
R388	7030003280	S.RES ERJ3GEYJ 470 V (47)	B	101.4/123.2
R389	7030003280	S.RES ERJ3GEYJ 470 V (47)	B	104.2/122.6
R390	7030003280	S.RES ERJ3GEYJ 470 V (47)	B	123.7/82.2
R391	7030003280	S.RES ERJ3GEYJ 470 V (47)	B	121.8/80.8
R392	7030003280	S.RES ERJ3GEYJ 470 V (47)	B	124.1/83.5
R393	7030003280	S.RES ERJ3GEYJ 470 V (47)	B	113.9/105.1
R394	7030003240	S.RES ERJ3GEYJ 220 V (22)	B	105.6/124.9
R401	7030003320	S.RES ERJ3GEYJ 101 V (100)	B	54.6/59.9
R403	7030003560	S.RES ERJ3GEYJ 103 V (10 k)	B	31.2/50.6
R404	7030003560	S.RES ERJ3GEYJ 103 V (10 k)	B	37.5/50.6
R405	7030003560	S.RES ERJ3GEYJ 103 V (10 k)	B	24.5/56.5
R406	7030003560	S.RES ERJ3GEYJ 103 V (10 k)	T	38.2/62
R407	7030003560	S.RES ERJ3GEYJ 103 V (10 k)	T	35.6/62
R408	7030003560	S.RES ERJ3GEYJ 103 V (10 k)	T	42.8/66.8
R409	7030003560	S.RES ERJ3GEYJ 103 V (10 k)	T	37.6/72
R410	7030003560	S.RES ERJ3GEYJ 103 V (10 k)	T	35/72
R411	7030003560	S.RES ERJ3GEYJ 103 V (10 k)	T	38.9/72
R412	7030003560	S.RES ERJ3GEYJ 103 V (10 k)	T	40.2/72
R413	7030003560	S.RES ERJ3GEYJ 103 V (10 k)	T	41.5/72
R414	7030003560	S.RES ERJ3GEYJ 103 V (10 k)	T	36.3/72
R415	7030003560	S.RES ERJ3GEYJ 103 V (10 k)	B	40.3/41.2
R416	7030003560	S.RES ERJ3GEYJ 103 V (10 k)	B	39/41.2
R417	7030003560	S.RES ERJ3GEYJ 103 V (10 k)	B	37.7/41.2
R418	7030003320	S.RES ERJ3GEYJ 101 V (100)	B	50.8/97.5
R419	7030003440	S.RES ERJ3GEYJ 102 V (1 k)	B	26.2/99.4
R420	7030003580	S.RES ERJ3GEYJ 153 V (15 k)	B	24.7/98.1
R421	7030003470	S.RES ERJ3GEYJ 182 V (1.8 k)	B	27/91.4
R422	7030003250	S.RES ERJ3GEYJ 270 V (27)	B	26.2/89.2
R423	7030003560	S.RES ERJ3GEYJ 103 V (10 k)	B	29.3/105.2
R424	7030003560	S.RES ERJ3GEYJ 103 V (10 k)	B	26.2/100.7
R425	7030003380	S.RES ERJ3GEYJ 331 V (330)	T	43.3/104.6
R426	7030003380	S.RES ERJ3GEYJ 331 V (330)	T	43.3/103.3
R427	7030003380	S.RES ERJ3GEYJ 331 V (330)	T	43.3/102
R428	7030003320	S.RES ERJ3GEYJ 101 V (100)	T	22.4/108.5
R429	7030003320	S.RES ERJ3GEYJ 101 V (100)	T	23.7/108.5
R430	7030003320	S.RES ERJ3GEYJ 101 V (100)	T	25/108.5
R431	7030003320	S.RES ERJ3GEYJ 101 V (100)	T	26.3/108.5
R432	7030003320	S.RES ERJ3GEYJ 101 V (100)	T	33.4/122.5
R433	7030003320	S.RES ERJ3GEYJ 101 V (100)	T	32.1/122.5
R434	7030003320	S.RES ERJ3GEYJ 101 V (100)	T	30.1/122.5
R435	7030003320	S.RES ERJ3GEYJ 101 V (100)	T	28.8/122.5
R436	7030003340	S.RES ERJ3GEYJ 151 V (150)	T	29.5/108.5
R437	7030003340	S.RES ERJ3GEYJ 151 V (150)	T	30.8/108.5
R438	7030003340	S.RES ERJ3GEYJ 151 V (150)	T	24.4/125.8
R439	7030003340	S.RES ERJ3GEYJ 151 V (150)	T	24.4/124.5
R440	7030003340	S.RES ERJ3GEYJ 151 V (150)	T	24.3/122.5
R441	7030003340	S.RES ERJ3GEYJ 151 V (150)	T	23/122.5
R442	7030003340	S.RES ERJ3GEYJ 151 V (150)	T	21.7/122.5
R443	7030003340	S.RES ERJ3GEYJ 151 V (150)	T	20.4/122.5
R450	7030003860	S.RES ERJ3GE JPW V	T	49.8/52.3
R451	7030003860	S.RES ERJ3GE JPW V except [USA]	T	36/106.5
R501	7030003260	S.RES ERJ3GEYJ 330 V (33)	T	142.3/123.9
R502	7030003260	S.RES ERJ3GEYJ 330 V (33)	T	139.7/123.9
R503	7030003260	S.RES ERJ3GEYJ 330 V (33)	T	138.4/123.9
R504	7030003260	S.RES ERJ3GEYJ 330 V (33)	T	137.1/123.9
R505	7030003260	S.RES ERJ3GEYJ 330 V (33)	T	135.8/123.9
R506	7030003260	S.RES ERJ3GEYJ 330 V (33)	T	134.5/123.9
R507	7030003260	S.RES ERJ3GEYJ 330 V (33)	T	133.2/123.9
R508	7030003260	S.RES ERJ3GEYJ 330 V (33)	T	130.3/123.9
R509	7030003260	S.RES ERJ3GEYJ 330 V (33)	T	129/123.9
R510	7030003520	S.RES ERJ3GEYJ 472 V (4.7 k)	T	127.9/127.6
R511	7030003200	S.RES ERJ3GEYJ 100 V (10)	T	143.6/123.9
R512	7030003230	S.RES ERJ3GEYJ 180 V (18)	T	151/140.3
R513	7030003290	S.RES ERJ3GEYJ 560 V (56)	B	137.4/132.7
R514	7030003290	S.RES ERJ3GEYJ 560 V (56)	B	137.4/134
R515	7030003290	S.RES ERJ3GEYJ 560 V (56)	B	137.4/136.6
R516	7030003290	S.RES ERJ3GEYJ 560 V (56)	B	137.4/137.9
R517	7030003290	S.RES ERJ3GEYJ 560 V (56)	B	137.4/139.2
R518	7030003290	S.RES ERJ3GEYJ 560 V (56)	T	149/141.1
R519	7030003560	S.RES ERJ3GEYJ 103 V (10 k)	T	142.8/146.2
R520	7030003560	S.RES ERJ3GEYJ 103 V (10 k)	T	140/146.2
R521	7030003560	S.RES ERJ3GEYJ 103 V (10 k)	T	140/147.6
R522	7030003860	S.RES ERJ3GE JPW V	T	134.8/147
R523	7030003560	S.RES ERJ3GEYJ 103 V (10 k)	B	133.1/131.2
R524	7030003560	S.RES ERJ3GEYJ 103 V (10 k)	B	133.1/132.5
R525	7030003560	S.RES ERJ3GEYJ 103 V (10 k)	B	133.1/133.8
R526	7030003560	S.RES ERJ3GEYJ 103 V (10 k)	B	133.1/135.1
R527	7030003560	S.RES ERJ3GEYJ 103 V (10 k)	B	133.1/136.4
R528	7030003560	S.RES ERJ3GEYJ 103 V (10 k)	B	133.1/137.7
R529	7030003560	S.RES ERJ3GEYJ 103 V (10 k)	B	133.1/139
R530	7030003560	S.RES ERJ3GEYJ 103 V (10 k)	B	133.1/140.3
R550	7030003640	S.RES ERJ3GEYJ 473 V (47 k)	B	146.3/24.8
R551	7030003320	S.RES ERJ3GEYJ 101 V (100)	B	146.3/23.5
R552	7030003560	S.RES ERJ3GEYJ 103 V (10 k)	B	137.4/23.2
R553	7030003560	S.RES ERJ3GEYJ 103 V (10 k)	B	138.8/23.2
R554	7030003560	S.RES ERJ3GEYJ 103 V (10 k)	B	126.7/39.7

[LOGIC UNIT]

REF NO.	ORDER NO.	DESCRIPTION	M.	H/V LOCATION
R555	7030003560	S.RES ERJ3GEYJ 103 V (10 k)	B	126.7/41
R556	7030003560	S.RES ERJ3GEYJ 103 V (10 k)	B	126.7/34.9
R557	7030003260	S.RES ERJ3GEYJ 330 V (33)	B	136.5/47.9
R558	7030003560	S.RES ERJ3GEYJ 103 V (10 k)	B	134.2/47.9
R559	7030003560	S.RES ERJ3GEYJ 103 V (10 k)	B	143.3/47.9
R560	7030003440	S.RES ERJ3GEYJ 102 V (1 k)	B	152/26.6
R561	7030003210	S.RES ERJ3GEYJ 120 V (12)	B	152/28
R562	7030003340	S.RES ERJ3GEYJ 151 V (150)	B	156.9/29.6
R563	7030003340	S.RES ERJ3GEYJ 151 V (150)	B	155.3/29.6
R601	7030003590	S.RES ERJ3GEYJ 183 V (18 k)	B	45.7/34.6
R602	7030003590	S.RES ERJ3GEYJ 183 V (18 k)	B	50.2/37.1
R603	7030003560	S.RES ERJ3GEYJ 103 V (10 k)	B	48.2/35.7
R604	7030003640	S.RES ERJ3GEYJ 473 V (47 k)	B	50.2/34.3
R605	7030003680	S.RES ERJ3GEYJ 104 V (100 k)	B	57.6/36.8
R606	7030003680	S.RES ERJ3GEYJ 104 V (100 k)	B	58.9/36.8
R607	7030003350	S.RES ERJ3GEYJ 181 V (180)	B	102.4/29.2
R608	7030003520	S.RES ERJ3GEYJ 472 V (4.7 k)	B	104.9/31.8
R609	7030003440	S.RES ERJ3GEYJ 102 V (1 k)	T	95.6/34.7
R610	7030003440	S.RES ERJ3GEYJ 102 V (1 k)	T	95.6/37.3
R611	7030003340	S.RES ERJ3GEYJ 102 V (1 k)	T	95.6/39.9
R612	7030003440	S.RES ERJ3GEYJ 102 V (1 k)	T	95.6/42.5
R613	7030003860	S.RES ERJ3GE JPW V	T	95.6/45.1
R614	7030003440	S.RES ERJ3GEYJ 102 V (1 k)	B	88/41.7
R621	7030003800	S.RES ERJ3GEYJ 105 V (1 M)	T	99/42.5
R622	7030003200	S.RES ERJ3GEYJ 105 V (1 M)	T	99/39.9
R623	7030003800	S.RES ERJ3GEYJ 105 V (1 M)	T	99/37.3
R624	7030003800	S.RES ERJ3GEYJ 105 V (1 M)	T	99/34.7
R625	7030003800	S.RES ERJ3GEYJ 105 V (1 M)	B	85.4/41.7
R626	7030003640	S.RES ERJ3GEYJ 473 V (47 k)	B	88/43.1
R627	7030003640	S.RES ERJ3GEYJ 473 V (47 k)	B	81.9/51.4
R628	7030003640	S.RES ERJ3GEYJ 473 V (47 k)	B	81.9/50.1
R629	7030003640	S.RES ERJ3GEYJ 473 V (47 k)	B	85.9/49.9
R630	7030003520	S.RES ERJ3GEYJ 472 V (4.7 k)	B	83.3/47.5
R631	7030003520	S.RES ERJ3GEYJ 472 V (4.7 k)	T	82.1/42
R632	7030003520	S.RES ERJ3GEYJ 472 V (4.7 k)	T	82.1/45.9
R633	7030003520	S.RES ERJ3GEYJ 472 V (4.7 k)	T	82.1/43.3
R634	7030003520	S.RES ERJ3GEYJ 472 V (4.7 k)	B	81.9/48.8
R635	7030003520	S.RES ERJ3GEYJ 472 V (4.7 k)	T	82.1/44.6
R636	7030003640	S.RES ERJ3GEYJ 473 V (47 k)	B	71.9/35.7
R637	7030003640	S.RES ERJ3GEYJ 473 V (47 k)	B	78.4/34
R639	7030003640	S.RES ERJ3GEYJ 473 V (47 k)	T	113.8/34
R640	7030003640	S.RES ERJ3GEYJ 473 V (47 k)	T	112.5/34
R641	7030003640	S.RES ERJ3GEYJ 473 V (47 k)	T	111.2/34
R642	7030003640	S.RES ERJ3GEYJ 473 V (47 k)	T	109.9/34
R643	7030003600	S.RES ERJ3GEYJ 223 V (22 k)	B	69.9/55.4
R644	7030003560	S.RES ERJ3GEYJ 103 V (10 k)	B	68.5/55.4
R645	7030003520	S.RES ERJ3GEYJ 472 V (4.7 k)	T	109.3/56.3
R646	7030003720	S.RES ERJ3GEYJ 224 V (220 k)	B	116.5/56.5
R647	7030003720	S.RES ERJ3GEYJ 224 V (220 k)	B	117.5/59.1
R648	7030003720	S.RES ERJ3GEYJ 224 V (220 k)	B	118.5/56.5
R649	7030003720	S.RES ERJ3GEYJ 224 V (220 k)	B	119.5/59.1
R650	7030003720	S.RES ERJ3GEYJ 224 V (220 k)	B	120.5/56.5
R651	7030003720	S.RES ERJ3GEYJ 224 V (220 k)	B	121.5/59.1
R652	7030003720	S.RES ERJ3GEYJ 224 V (220 k)	B	122.5/56.5
R653	7030003720	S.RES ERJ3GEYJ 224 V (220 k)	B	123.4/59.1
R654	7030003520	S.RES ERJ3GEYJ 472 V (4.7 k)	B	117.5/54.2
R655	7030003520	S.RES ERJ3GEYJ 472 V (4.7 k)	B	117.5/52.7
R658	7030003640	S.RES ERJ3GEYJ 473 V (47 k)	T	99/45.1
R661	7030003640	S.RES ERJ3GEYJ 473 V (47 k)	T	70.2/27.4
R662	7030003720	S.RES ERJ3GEYJ 224 V (220 k)	B	66/30.2
R663	7030003640	S.RES ERJ3GEYJ 473 V (47 k)	B	66/27.3
R664	7030003640	S.RES ERJ3GEYJ 473 V (47 k)	B	66/26
R665	7030003640	S.RES ERJ3GEYJ 473 V (47 k)	B	66/28.6
R666	7030003640	S.RES ERJ3GEYJ 473 V (47 k)	B	71.2/18.3
R667	7030003720	S.RES ERJ3GEYJ 224 V (220 k)	B	68.5/21.3
R668	7030003640	S.RES ERJ3GEYJ 473 V (47 k)	B	67.2/21.3
R669	7030003640	S.RES ERJ3GEYJ 473 V (47 k)	B	63/33
R670	7030003640	S.RES ERJ3GEYJ 473 V (47 k)	B	72.5/18.3
R671	7030003640	S.RES ERJ3GEYJ 473 V (47 k)	B	86.5/9.2
R672	7030003640	S.RES ERJ3GEYJ 473 V (47 k)	B	83.9/10.9
R673	7030003640	S.RES ERJ3GEYJ 473 V (47 k)	B	74.6/16.3
R674	7030003640	S.RES ERJ3GEYJ 473 V (47 k)	B	77.9/12.3
R675	7030003640	S.RES ERJ3GEYJ 473 V (47 k)	B	76.5/13.8
R676	7030003640	S.RES ERJ3GEYJ 473 V (47 k)	B	79.2/12.

[LOGIC UNIT]

REF NO.	ORDER NO.	DESCRIPTION	M.	H/V LOCATION
R887	7030003320	S.RES ERJ3GEYJ 101 V (100)	T	53.8/39.7
R888	7030003320	S.RES ERJ3GEYJ 101 V (100)	T	55.1/39.7
R889	7030003320	S.RES ERJ3GEYJ 101 V (100)	T	54.5/31.5
R890	7030003320	S.RES ERJ3GEYJ 101 V (100)	T	56.4/39.7
R891	7030003320	S.RES ERJ3GEYJ 101 V (100)	T	55.8/31.5
R892	7030003320	S.RES ERJ3GEYJ 101 V (100)	T	57.7/39.7
R893	7030003320	S.RES ERJ3GEYJ 101 V (100)	T	57.1/31.5
R894	7030003320	S.RES ERJ3GEYJ 101 V (100)	T	59.3/9.7
R895	7030003860	S.RES ERJ3GE JPW V	T	58.4/31.5
R896	7030003860	S.RES ERJ3GE JPW V	T	60.3/39.7
R897	7030003860	S.RES ERJ3GE JPW V	T	59.7/31.5
R901	7030003200	S.RES ERJ3GEYJ 100 V (10)	T	8.7/120
R902	7030003860	S.RES ERJ3GE JPW V	B	44.2/38.3
R903	7030003360	S.RES ERJ3GEYJ 221 V (220)	T	8.7/118.7
R904	7030003360	S.RES ERJ3GEYJ 221 V (220)	B	4.2/117.9
R905	7030003360	S.RES ERJ3GEYJ 221 V (220)	T	8.7/117.4
R906	7030003360	S.RES ERJ3GEYJ 221 V (220)	B	4.2/116.6
R907	7030003440	S.RES ERJ3GEYJ 102 V (1 k)	T	8.7/116.1
R908	7030003860	S.RES ERJ3GE JPW V	T	9/114.3
R909	7030003860	S.RES ERJ3GE JPW V	T	9/113
R910	7030003860	S.RES ERJ3GE JPW V	T	9/111.7
R911	7030003860	S.RES ERJ3GE JPW V	T	9/132.9
R912	7030003860	S.RES ERJ3GE JPW V	T	9/131.6
R913	7030003860	S.RES ERJ3GE JPW V	T	9/130.3
R914	7030003860	S.RES ERJ3GE JPW V	T	9/129
R915	7030003440	S.RES ERJ3GEYJ 102 V (1 k)	B	10.3/129.9
R916	7030003440	S.RES ERJ3GEYJ 102 V (1 k)	B	4/128.1
R917	7030003440	S.RES ERJ3GEYJ 102 V (1 k)	B	7.5/132
R918	7030003440	S.RES ERJ3GEYJ 102 V (1 k)	B	4/126.8
R919	7030003440	S.RES ERJ3GEYJ 102 V (1 k)	B	9.3/125.5
R920	7030003440	S.RES ERJ3GEYJ 102 V (1 k)	B	4/125.5
R921	7030003440	S.RES ERJ3GEYJ 102 V (1 k)	B	9/129.9
R922	7030003440	S.RES ERJ3GEYJ 102 V (1 k)	B	4/124.2
R923	7030003440	S.RES ERJ3GEYJ 102 V (1 k)	T	8.6/124.9
R924	7030003440	S.RES ERJ3GEYJ 102 V (1 k)	B	4/122.9
R925	7030003440	S.RES ERJ3GEYJ 102 V (1 k)	T	8.6/122.3
R926	7030003440	S.RES ERJ3GEYJ 102 V (1 k)	B	4/121.6
R927	7030003440	S.RES ERJ3GEYJ 102 V (1 k)	B	4/129.4
R928	7030003860	S.RES ERJ3GE JPW V	T	9/110.4
R929	7030003860	S.RES ERJ3GE JPW V	T	9/109.1
R930	7030003360	S.RES ERJ3GEYJ 221 V (220)	T	8.7/106.6
R931	7030003860	S.RES ERJ3GE JPW V	T	62.6/140.9
R932	7030003860	S.RES ERJ3GE JPW V	T	64.6/140.9
R933	7030003360	S.RES ERJ3GEYJ 221 V (220)	T	8.7/104
R938	7030003520	S.RES ERJ3GEYJ 472 V (4.7 k)	T	79.3/135.4
R939	7030003520	S.RES ERJ3GEYJ 472 V (4.7 k)	T	79.4/136.8
R940	7030003560	S.RES ERJ3GEYJ 103 V (10 k)	T	78.8/140.1
R941	7030003320	S.RES ERJ3GEYJ 101 V (100)	T	80.1/141.3
R942	7030003320	S.RES ERJ3GEYJ 101 V (100)	T	83.2/140.9
R943	7030003320	S.RES ERJ3GEYJ 101 V (100)	T	84.5/140.9
R944	7030003320	S.RES ERJ3GEYJ 101 V (100)	T	85.8/140.9
R945	7030003320	S.RES ERJ3GEYJ 101 V (100)	T	87.1/140.9
R946	7030003320	S.RES ERJ3GEYJ 101 V (100)	T	88.4/140.9
R947	7030003320	S.RES ERJ3GEYJ 101 V (100)	T	89.7/140.9
R948	7030003320	S.RES ERJ3GEYJ 101 V (100)	T	91/140.9
R949	7030003200	S.RES ERJ3GEYJ 100 V (10)	T	106.2/140.9
R950	7030003200	S.RES ERJ3GEYJ 100 V (10)	T	104.9/140.9
R951	7030003200	S.RES ERJ3GEYJ 100 V (10)	T	103.6/140.9
R952	7030003200	S.RES ERJ3GEYJ 100 V (10)	T	102.3/140.9
R953	7030003200	S.RES ERJ3GEYJ 100 V (10)	T	101/140.9
R960	7030003440	S.RES ERJ3GEYJ 102 V (1 k)	T	27.8/18.6
R961	7030003440	S.RES ERJ3GEYJ 102 V (1 k)	T	31/19.4
R962	7030003440	S.RES ERJ3GEYJ 102 V (1 k)	T	33.6/19.4
R964	7030003200	S.RES ERJ3GEYJ 100 V (10)	T	177.4/16.2
R965	7030003200	S.RES ERJ3GEYJ 100 V (10)	T	177.4/17.6
R966	7030003360	S.RES ERJ3GEYJ 221 V (220)	T	180/21.2
R967	7030003360	S.RES ERJ3GEYJ 221 V (220)	T	177.3/21.9
R968	7030003360	S.RES ERJ3GEYJ 221 V (220)	T	180/22.6
R969	7030003200	S.RES ERJ3GEYJ 100 V (10)	T	180/19.8
R970	7030003440	S.RES ERJ3GEYJ 102 V (1 k)	T	29.7/19.4
R971	7030003440	S.RES ERJ3GEYJ 102 V (1 k)	T	32.3/19.4
R972	7030003440	S.RES ERJ3GEYJ 102 V (1 k)	T	34.9/19.4
R974	7030003200	S.RES ERJ3GEYJ 100 V (10)	T	180/16.9
R975	7030003200	S.RES ERJ3GEYJ 100 V (10)	T	180/18.3
R976	7030003360	S.RES ERJ3GEYJ 221 V (220)	T	177.4/20.5
R977	7030003360	S.RES ERJ3GEYJ 221 V (220)	T	177.3/23.3
R978	7030003360	S.RES ERJ3GEYJ 221 V (220)	T	183.2/126
R979	7030003360	S.RES ERJ3GEYJ 221 V (220)	T	180.6/125
R980	7030003360	S.RES ERJ3GEYJ 221 V (220)	T	183.2/124
R981	7030003360	S.RES ERJ3GEYJ 221 V (220)	T	180.7/123
R982	7030007230	S.RES ERA3YED 102V (1 k)	T	33.4/140.9
R983	7030003440	S.RES ERJ3GEYJ 102 V (1 k)	T	29/140.9
R984	7030007230	S.RES ERA3YED 102V (1 k)	T	27.7/140.9
R985	7030007230	S.RES ERA3YED 102V (1 k)	T	26.4/140.9
R986	7030007230	S.RES ERA3YED 102V (1 k)	T	25.1/140.9
R987	7030007230	S.RES ERA3YED 102V (1 k)	T	23.8/140.9
R988	7030007230	S.RES ERA3YED 102V (1 k)	T	22.5/140.9
R989	7030003360	S.RES ERJ3GEYJ 221 V (220)	T	30/8.3
R990	7030003360	S.RES ERJ3GEYJ 221 V (220)	T	31.3/8.3
R991	7030003360	S.RES ERJ3GEYJ 221 V (220)	T	32.6/8.3
R992	7030003360	S.RES ERJ3GEYJ 221 V (220)	T	33.9/8.3
R993	7030003360	S.RES ERJ3GEYJ 221 V (220)	T	35.2/8.3
R994	7030003360	S.RES ERJ3GEYJ 221 V (220)	T	36.5/8.3
R1001	7030003410	S.RES ERJ3GEYJ 561 V (560)	B	35.6/127.7
R1002	7030003540	S.RES ERJ3GEYJ 682 V (6.8 k)	B	32.8/122.7
R1003	7030003520	S.RES ERJ3GEYJ 472 V (4.7 k)	B	32.8/121.4
R1004	7030003520	S.RES ERJ3GEYJ 472 V (4.7 k)	B	30.8/122.7
R1005	7030003520	S.RES ERJ3GEYJ 472 V (4.7 k)	B	23.4/122.7
R1006	7030003550	S.RES ERJ3GEYJ 822 V (8.2 k)	B	26.2/122.7
R1007	7030003520	S.RES ERJ3GEYJ 472 V (4.7 k)	B	26.2/121.4
R1008	7030003520	S.RES ERJ3GEYJ 472 V (4.7 k)	B	28.2/122
R1009	7030003320	S.RES ERJ3GEYJ 101 V (100)	B	35.9/125.6
R1010	7030003320	S.RES ERJ3GEYJ 101 V (100)	B	35.8/128.4
R1011	7030003560	S.RES ERJ3GEYJ 103 V (10 k)	B	20.6/133.6

[LOGIC UNIT]

REF NO.	ORDER NO.	DESCRIPTION	M.	H/V LOCATION
R1012	7030003460	S.RES ERJ3GEYJ 152 V (1.5 k)	B	20.6/132.3
R1013	7030003500	S.RES ERJ3GEYJ 332 V (3.3 k)	B	26.2/133.6
R1014	7030003480	S.RES ERJ3GEYJ 222 V (2.2 k)	B	26.2/132.3
R1015	7030003470	S.RES ERJ3GEYJ 182 V (1.8 k)	B	23.3/130.3
R1016	7030003380	S.RES ERJ3GEYJ 331 V (330)	B	23.4/133.6
R1017	7030003360	S.RES ERJ3GEYJ 103 V (10 k)	B	35.8/133.6
R1018	7030003460	S.RES ERJ3GEYJ 152 V (1.5 k)	B	35.8/132.3
R1020	7030003540	S.RES ERJ3GEYJ 682 V (6.8 k)	B	35.8/131
R1021	7030003460	S.RES ERJ3GEYJ 152 V (1.5 k)	B	35.8/129.7
R1022	7030003380	S.RES ERJ3GEYJ 331 V (330)	B	32/133.6
R1023	7030003540	S.RES ERJ3GEYJ 682 V (6.8 k)	B	23.4/121.4
R1031	7030010900	S.RES ERJ3GEYJ 750 V (75)	T	167.2/120.8
R1032	7030003440	S.RES ERJ3GEYJ 102 V (1 k)	T	153.6/139.9
R1033	7030003320	S.RES ERJ3GEYJ 101 V (100)	T	170.9/131.9
R1034	7030003590	S.RES ERJ3GEYJ 183 V (18 k)	T	171.5/135.2
R1036	7030003320	S.RES ERJ3GEYJ 101 V (100)	T	171.5/139
R1037	7030010900	S.RES ERJ3GEYJ 750 V (75)	T	171.5/140.3
R1038	7030003240	S.RES ERJ3GEYJ 220 V (22)	T	169.4/136.3
R1101	7030003280	S.RES ERJ3GEYJ 470 V (47)	T	18.9/29.8
R1102	7030003280	S.RES ERJ3GEYJ 470 V (47)	T	16.1/30.5
R1103	7030003280	S.RES ERJ3GEYJ 470 V (47)	T	18.9/31.2
R1104	7030003280	S.RES ERJ3GEYJ 470 V (47)	T	16.1/31.9
R1105	7030003280	S.RES ERJ3GEYJ 470 V (47)	T	18.9/32.6
R1106	7030003280	S.RES ERJ3GEYJ 470 V (47)	T	16.1/33.3
R1107	7030003280	S.RES ERJ3GEYJ 470 V (47)	T	18.9/34
R1108	7030003280	S.RES ERJ3GEYJ 470 V (47)	T	16.1/34.7
R1109	7030003280	S.RES ERJ3GEYJ 470 V (47)	T	18.9/35.4
R1110	7030003280	S.RES ERJ3GEYJ 470 V (47)	T	16.1/36.1
R1111	7030003280	S.RES ERJ3GEYJ 470 V (47)	T	18.9/36.8
R1112	7030003280	S.RES ERJ3GEYJ 470 V (47)	T	16.1/37.5
R1113	7030003280	S.RES ERJ3GEYJ 470 V (47)	T	18.9/38.2
R1114	7030003280	S.RES ERJ3GEYJ 470 V (47)	T	16.1/38.9
R1115	7030003280	S.RES ERJ3GEYJ 470 V (47)	T	18.9/39.6
R1116	7030003280	S.RES ERJ3GEYJ 470 V (47)	T	16.1/40.3
R1117	7030003280	S.RES ERJ3GEYJ 470 V (47)	T	18.9/41
R1118	7030003280	S.RES ERJ3GEYJ 470 V (47)	T	16.1/41.7
R1119	7030003280	S.RES ERJ3GEYJ 470 V (47)	T	18.9/42.4
R1120	7030003280	S.RES ERJ3GEYJ 470 V (47)	T	16.1/43.1
R1121	7030003280	S.RES ERJ3GEYJ 470 V (47)	T	18.9/43.8
R1122	7030003280	S.RES ERJ3GEYJ 470 V (47)	T	16.1/44.5
R1123	7030003280	S.RES ERJ3GEYJ 470 V (47)	T	18.9/45.2
R1124	7030003280	S.RES ERJ3GEYJ 470 V (47)	T	16.1/47.2
R1125	7030003280	S.RES ERJ3GEYJ 470 V (47)	T	18.9/47.9
R1126	7030003280	S.RES ERJ3GEYJ 470 V (47)	T	16.1/48.6
R1127	7030003280	S.RES ERJ3GEYJ 470 V (47)	T	18.9/49.3
R1128	7030003280	S.RES ERJ3GEYJ 470 V (47)	T	16.1/50
R1129	7030003280	S.RES ERJ3GEYJ 470 V (47)	T	18.9/50.7
R1130	7030003280	S.RES ERJ3GEYJ 470 V (47)	T	16.1/51.4
R1131	7030003280	S.RES ERJ3GEYJ 470 V (47)	T	18.9/52.1
R1132	7030003280	S.RES ERJ3GEYJ 470 V (47)	T	16.1/52.8
R1133	7030003280	S.RES ERJ3GEYJ 470 V (47)	T	18.9/53.5
R1134	7030003280	S.RES ERJ3GEYJ 470 V (47)	T	16.1/54.2
R1135	7030003280	S.RES ERJ3GEYJ 470 V (47)	T	18.9/54.9
R1136	7030003280	S.RES ERJ3GEYJ 470 V (47)	T	16.1/55.6
R1137	7030003280	S.RES ERJ3GEYJ 470 V (47)	T	18.9/56.3
R1138	7030003280	S.RES ERJ3GEYJ 470 V (47)	T	16.1/57
R1139	7030003280	S.RES ERJ3GEYJ 470 V (47)	T	18.9/57.7
R1140	7030003280	S.RES ERJ3GEYJ 470 V (47)	T	16.1/58.4
R1141	7030003280	S.RES ERJ3GEYJ 470 V (47)	T	18.9/59.1
R1142	7030003280	S.RES ERJ3GEYJ 470 V (47)	T	16.1/59.8
R1143	7030003280	S.RES ERJ3GEYJ 470 V (47)	T	18.9/60.5
R1144	7030003280	S.RES ERJ3GEYJ 470 V (47)	T	16.1/61.2
R1145	7030003280	S.RES ERJ3GEYJ 470 V (47)	T	18.9/61.9
R1146	7030003280	S.RES ERJ3GEYJ 470 V (47)	T	16.1/62.6
R1151	7030003290	S.RES ERJ3GEYJ 560 V (56)	T	175.5/96.6
R1152	7030003320	S.RES ERJ3GEYJ 101 V (100)	T	172.2/95.9
R1153	7030003320	S.RES ERJ3GEYJ 101 V (100)	T	175.5/95.2
R1154	7030003320	S.RES ERJ3GEYJ 101 V (100)	T	172.2/94.5
R1155	7030003320	S.RES ERJ3GEYJ 101 V (100)	T	175.5/93.8
R1156	7030003320	S.RES ERJ3GEYJ 101 V (100)	T	172.2/93.1
R1157	7030003320	S.RES ERJ3GEYJ 101 V (100)	T	175.5/92.4
R1158	7030003320	S.RES ERJ3GEYJ 101 V (100)	T	172.2/91.7
R1159	7030003320	S.RES ERJ3GEYJ 101 V (100)	T	175.5/91
R1160	7030003320	S.RES ERJ3GEYJ 101 V (100)	T	172.2/90.3
R1161	7030003320	S.RES ERJ3GEYJ 101 V (100)	T	175.5/89.6
R1162	703000332			

[LOGIC UNIT]

REF NO.	ORDER NO.	DESCRIPTION	M.	H/V LOCATION
C1	4030011600	S.CER C1608 JB 1E 104K-T	B	84.4/98.3
C2	4030011600	S.CER C1608 JB 1E 104K-T	B	82.8/98.3
C3	4030011600	S.CER C1608 JB 1E 104K-T	B	78/98.3
C4	4030011600	S.CER C1608 JB 1E 104K-T	B	74/98.3
C5	4030011600	S.CER C1608 JB 1E 104K-T	B	63.6/98.3
C6	4030011600	S.CER C1608 JB 1E 104K-T	B	81.6/115.4
C7	4030011600	S.CER C1608 JB 1E 104K-T	B	76.8/115.4
C8	4030011600	S.CER C1608 JB 1E 104K-T	T	84.4/122.5
C9	4030011600	S.CER C1608 JB 1E 104K-T	T	82.8/122.5
C10	4030011600	S.CER C1608 JB 1E 104K-T	T	78/122.5
C11	4030011600	S.CER C1608 JB 1E 104K-T	T	74/122.5
C12	4030011600	S.CER C1608 JB 1E 104K-T	T	63.6/122.5
C13	4030011600	S.CER C1608 JB 1E 104K-T	T	78.9/106.7
C14	4030011600	S.CER C1608 JB 1E 104K-T	T	74.2/106.7
C51	4030011600	S.CER C1608 JB 1E 104K-T	B	120.2/69.7
C52	4030011600	S.CER C1608 JB 1E 104K-T	B	110.7/61.1
C53	4030011600	S.CER C1608 JB 1E 104K-T	B	107.8/61.1
C54	4030011600	S.CER C1608 JB 1E 104K-T	B	121.7/66.2
C55	4030011600	S.CER C1608 JB 1E 104K-T	B	123.4/78.9
C56	4030011600	S.CER C1608 JB 1E 104K-T	B	128.7/80.9
C57	4030011600	S.CER C1608 JB 1E 104K-T	B	142.2/75.7
C58	4030011600	S.CER C1608 JB 1E 104K-T	B	142.2/73.1
C59	4030011600	S.CER C1608 JB 1E 104K-T	B	132.3/60.8
C60	4030011600	S.CER C1608 JB 1E 104K-T	B	126.2/61.1
C61	4030009990	S.CER C1608 CH 1H 200J-T	T	164/101.1
C62	4030011600	S.CER C1608 JB 1E 104K-T	T	157.9/51.8
C63	4030008890	S.CER C1608 JB 1H 273K-T	T	162.5/51.8
C64	4030011600	S.CER C1608 JB 1E 104K-T	T	164.6/53.7
C65	4030011600	S.CER C1608 JB 1E 104K-T	T	115/52
C101	4030011600	S.CER C1608 JB 1E 104K-T	T	39.1/86.9
C102	4030011600	S.CER C1608 JB 1E 104K-T	B	57.9/63.2
C103	4030011600	S.CER C1608 JB 1E 104K-T	B	61.8/93
C104	4030011600	S.CER C1608 JB 1E 104K-T	B	61.5/73.8
C105	4030011600	S.CER C1608 JB 1E 104K-T	B	64.2/86
C106	4030011600	S.CER C1608 JB 1E 104K-T	B	61.5/72.5
C107	4030011600	S.CER C1608 JB 1E 104K-T	B	66.7/72.5
C108	4030011600	S.CER C1608 JB 1E 104K-T	B	72.4/72.5
C109	4030011600	S.CER C1608 JB 1E 104K-T	B	74.3/75.8
C110	4030011600	S.CER C1608 JB 1E 104K-T	B	61.5/83
C111	4550007520	S.TAN F931A106MAABMA	B	72.4/63.8
C112	4030011600	S.CER C1608 JB 1E 104K-T	B	73.7/65.5
C113	4550007520	S.TAN F931A106MAABMA	B	78.3/63.8
C114	4030011600	S.CER C1608 JB 1E 104K-T	B	76.7/65.5
C115	4550007520	S.TAN F931A106MAABMA	B	83.5/63.8
C116	4030011600	S.CER C1608 JB 1E 104K-T	B	79.6/65.5
C117	4030011600	S.CER C1608 JB 1E 104K-T	B	61.6/86
C118	4030011600	S.CER C1608 JB 1E 104K-T	B	61.5/76.4
C119	4030011600	S.CER C1608 JB 1E 104K-T	B	61.5/84.3
C120	4030011600	S.CER C1608 JB 1E 104K-T	B	74.3/84.4
C121	4030011600	S.CER C1608 JB 1E 104K-T	B	72.5/85.2
C122	4030011600	S.CER C1608 JB 1E 104K-T	B	71.2/85.2
C123	4030006860	S.CER C1608 JB 1H 102K-T	B	72/93
C124	4030011600	S.CER C1608 JB 1E 104K-T	B	66.8/86
C125	4030011600	S.CER C1608 JB 1E 104K-T	B	69.4/86
C126	4030011600	S.CER C1608 JB 1E 104K-T	B	61.5/81.7
C127	4030011600	S.CER C1608 JB 1E 104K-T	B	57.9/65.8
C128	4030011600	S.CER C1608 JB 1E 104K-T	B	66.9/65.8
C129	4030011600	S.CER C1608 JB 1E 104K-T	B	60.8/79.8
C130	4030011600	S.CER C1608 JB 1E 104K-T	B	74.3/81.8
C131	4030011600	S.CER C1608 JB 1E 104K-T	B	81.1/83.7
C132	4030011600	S.CER C1608 JB 1E 104K-T	B	74.3/78.6
C133	4030011600	S.CER C1608 JB 1E 104K-T	B	61.8/65.9
C134	4030011600	S.CER C1608 JB 1E 104K-T	B	54/73.6
C135	4030011600	S.CER C1608 JB 1E 104K-T	B	61.5/75.1
C136	4030011600	S.CER C1608 JB 1E 104K-T	B	69.3/72.5
C137	4030011600	S.CER C1608 JB 1E 104K-T	B	64.1/72.5
C138	4030011600	S.CER C1608 JB 1E 104K-T	B	69.4/84.3
C139	4030011600	S.CER C1608 JB 1E 104K-T	B	74.3/73.2
C140	4030006900	S.CER C1608 JB 1H 103K-T	B	81.1/73.5
C141	4030011600	S.CER C1608 JB 1E 104K-T	T	79/53.6
C142	4030011600	S.CER C1608 JB 1E 104K-T	T	91.4/47
C143	4050000290	S.FED CNF10R102S-TM	T	19.4/89.2
C144	4030011600	S.CER C1608 JB 1E 104K-T	T	27.3/75.7
C145	4030007100	S.CER C1608 CH 1H 560J-T	T	24.1/73.5
C146	4030008560	S.CER C1608 CH 1H 300J-T	T	22.2/77.1
C147	4030007060	S.CER C1608 CH 1H 270J-T	T	21.6/74.8
C148	4030011600	S.CER C1608 JB 1E 104K-T	T	21.4/85.6
C149	4030011600	S.CER C1608 JB 1E 104K-T	T	23.2/90.2
C150	4030007130	S.CER C1608 CH 1H 101J-T	T	26/75.7
C151	4030007130	S.CER C1608 CH 1H 101J-T	T	20.1/85.6
C152	4030007130	S.CER C1608 CH 1H 101J-T	T	52.4/100.3
C153	4030007130	S.CER C1608 CH 1H 101J-T	T	41.7/86.9
C154	4030007130	S.CER C1608 CH 1H 101J-T	T	24.8/88.9
C155	4030007130	S.CER C1608 CH 1H 101J-T	T	93.7/56.2
C156	4030007130	S.CER C1608 CH 1H 101J-T	T	76.9/51.7
C157	4030007130	S.CER C1608 CH 1H 101J-T	T	62.2/123.8
C158	4030007130	S.CER C1608 CH 1H 101J-T	B	74.4/114.8
C159	4030007130	S.CER C1608 CH 1H 101J-T	B	104.8/118.8
C160	4030007130	S.CER C1608 CH 1H 101J-T	B	58.1/119.2
C161	4030007130	S.CER C1608 CH 1H 101J-T	B	144.2/77.5
C162	4030007130	S.CER C1608 CH 1H 101J-T	B	102.4/79.6
C163	4030007130	S.CER C1608 CH 1H 101J-T	B	110.7/49.2
C164	4030007130	S.CER C1608 CH 1H 101J-T	B	166.7/52.9
C165	4030007130	S.CER C1608 CH 1H 101J-T	B	156.7/49.7
C166	4030007130	S.CER C1608 CH 1H 101J-T	T	89.4/97.1
C167	4030007170	S.CER C1608 CH 1H 221J-T except [USA], [EUR], [UK]	T	17.9/92.9
	4030011340	S.CER C1608 CH 1H 471J-T [USA], [EUR], [UK]	T	17.9/92.9
C168	4030007150	S.CER C1608 CH 1H 151J-T	T	17.9/91.4
C169	4030007170	S.CER C1608 CH 1H 221J-T	T	21.4/98.8
C170	4030007150	S.CER C1608 CH 1H 151J-T	T	22.9/98.8
C171	4030007170	S.CER C1608 CH 1H 221J-T	T	29.6/91.4
C172	4030007150	S.CER C1608 CH 1H 151J-T	T	29.6/96.6

[LOGIC UNIT]

REF NO.	ORDER NO.	DESCRIPTION	M.	H/V LOCATION
C201	4030011600	S.CER C1608 JB 1E 104K-T	B	133.9/100.8
C202	4030011600	S.CER C1608 JB 1E 104K-T	B	132.4/100.8
C203	4030011600	S.CER C1608 JB 1E 104K-T	B	138.7/100.8
C204	4030011600	S.CER C1608 JB 1E 104K-T	B	142.7/100.8
C205	4030011600	S.CER C1608 JB 1E 104K-T	B	153.1/100.8
C206	4030011600	S.CER C1608 JB 1E 104K-T	B	135.5/85
C207	4030011600	S.CER C1608 JB 1E 104K-T	B	140.4/85
C208	4030011600	S.CER C1608 JB 1E 104K-T	B	132.8/118.3
C209	4030011600	S.CER C1608 JB 1E 104K-T	B	135.4/118.3
C210	4030011600	S.CER C1608 JB 1E 104K-T	B	138.9/118.3
C211	4030011600	S.CER C1608 JB 1E 104K-T	B	142/118.3
C212	4030011600	S.CER C1608 JB 1E 104K-T	B	152.1/118.3
C213	4030011600	S.CER C1608 JB 1E 104K-T	B	135.4/102.6
C214	4030011600	S.CER C1608 JB 1E 104K-T	B	140.2/102.7
C215	4030011600	S.CER C1608 JB 1E 104K-T	B	104.1/105.4
C216	4030011600	S.CER C1608 JB 1E 104K-T	B	100.3/86.6
C217	4030011600	S.CER C1608 JB 1E 104K-T	B	106.2/94.6
C218	4030011600	S.CER C1608 JB 1E 104K-T	B	106.8/87.6
C219	4030011600	S.CER C1608 JB 1E 104K-T	B	109.4/87.6
C220	4030011600	S.CER C1608 JB 1E 104K-T	B	105.5/87.6
C221	4030011600	S.CER C1608 JB 1E 104K-T	B	111.3/81.6
C222	4030011600	S.CER C1608 JB 1E 104K-T	B	109.1/104.4
C223	4030011600	S.CER C1608 JB 1E 104K-T	B	105.5/98.4
C224	4030011600	S.CER C1608 JB 1E 104K-T	B	100.3/98.7
C225	4030011600	S.CER C1608 JB 1E 104K-T	B	106.2/92
C226	4030011600	S.CER C1608 JB 1E 104K-T	B	106.2/90.7
C227	4030011600	S.CER C1608 JB 1E 104K-T	B	111.4/87.6
C228	4030011600	S.CER C1608 JB 1E 104K-T	B	106.2/89.4
C229	4030011600	S.CER C1608 JB 1E 104K-T	B	116.1/104.4
C230	4030011600	S.CER C1608 JB 1E 104K-T	B	112/98.2
C231	4030011600	S.CER C1608 JB 1E 104K-T	B	117.2/98.6
C232	4030011600	S.CER C1608 JB 1E 104K-T	B	106.2/95.6
C233	4030011600	S.CER C1608 JB 1E 104K-T	B	117.2/92.1
C234	4030011600	S.CER C1608 JB 1E 104K-T	B	114/87.6
C235	4030011600	S.CER C1608 JB 1E 104K-T	B	116.9/81.4
C236	4030011600	S.CER C1608 JB 1E 104K-T	B	117.2/97.3
C237	4030011600	S.CER C1608 JB 1E 104K-T	B	117.2/96
C238	4030011600	S.CER C1608 JB 1E 104K-T	B	117.2/94.6
C239	4030011600	S.CER C1608 JB 1E 104K-T	B	100.3/96.1
C240	4030011600	S.CER C1608 JB 1E 104K-T	B	117.2/90.8
C241	4030011600	S.CER C1608 JB 1E 104K-T	B	117.2/89.5
C242	4030011600	S.CER C1608 JB 1E 104K-T	B	117.9/87.6
C243	4030011600	S.CER C1608 JB 1E 104K-T	B	116.6/87.6
C244	4030011600	S.CER C1608 JB 1E 104K-T	B	106.2/93.3
C245	4030011600	S.CER C1608 JB 1E 104K-T	B	106.8/98.2
C246	4030011600	S.CER C1608 JB 1E 104K-T	B	117.2/93.4
C247	4030011600	S.CER C1608 JB 1E 104K-T	B	114/98.2
C248	4030011600	S.CER C1608 JB 1E 104K-T	B	115.3/87.6
C249	4030011600	S.CER C1608 JB 1E 104K-T	B	108.1/87.6
C250	4030007050	S.CER C1608 CH 1H 220J-T	T	117.8/106.3
C251	4030007050	S.CER C1608 CH 1H 220J-T	T	115.2/106.3
C252	4030006990	S.CER C1608 CH 1H 080D-T	T	114.8/79.8
C253	4030006990	S.CER C1608 CH 1H 080D-T	T	116.1/79.8
C254	4030006900	S.CER C1608 JB 1H 103K-T	T	98.4/100.4
C255	4510008520	S.ELE EEE1CA470SP	T	115.8/116.9
C256	4030006900	S.CER C1608 JB 1H 103K-T	T	97.6/82.8
C257	4510007130	S.ELE EEFCD QJ 470R	T	93.2/81.3
C258	4030011600	S.CER C1608 JB 1E 104K-T	T	99/75.1
C259	4030011600	S.CER C1608 JB 1E 104K-T	B	100.3/91.9
C260	4030011600	S.CER C1608 JB 1E 104K-T	B	122.9/139.6
C261	4030011600	S.CER C1608 JB 1E 104K-T	B	121.6/139.6
C262	4030011600	S.CER C1608 JB 1E 104K-T	B	114.4/141
C263	4030011600	S.CER C1608 JB 1E 104K-T	B	109.2/131.5
C264	4030011600	S.CER C1608 JB 1E 104K-T	B	114.4/142.3
C265	4510008540	S.ELE EEE1CA100SR	T	116.1/143.5
C266	4030011600	S.CER C1608 JB 1E 104K-T	T	111.3/143.6
C267	4030007100	S.CER C1608 CH 1H 560J-T	B	119.8/143.9
C268	4030007100	S.CER C1608 CH 1H 560J-T	B	119.8/150.3
C269	4030007100	S.CER C1608 CH 1H 560J-T	B	113/147.6
C270	4030007050	S.CER C1608 CH 1H 220J-T	B	121.8/143.2
C271	4030007050	S.CER C1608 CH 1H 220J-T	B	121.8/149.6
C272	4030007050	S.CER C1608 CH 1H 220J-T	B	113.4/152.3
C273	4030011600	S.CER C1608 JB 1E 104K-T	B	

[LOGIC UNIT]

REF NO.	ORDER NO.	DESCRIPTION	M.	H/V LOCATION
C313	4030007130	S.CER C1608 CH 1H 101J-T	B	173.8/105.7
C314	4030007130	S.CER C1608 CH 1H 101J-T	B	80.5/128.7
C315	4030007130	S.CER C1608 CH 1H 101J-T	B	80.5/126.1
C316	4030007130	S.CER C1608 CH 1H 101J-T	B	85.8/136.7
C317	4030011600	S.CER C1608 JB 1E 104K-T	B	107.6/124.1
C380	4030007120	S.CER C1608 CH 1H 820J-T	T	109.6/123.1
C381	4030007120	S.CER C1608 CH 1H 820J-T	B	102/116.4
C401	4030011600	S.CER C1608 JB 1E 104K-T	B	42.9/76.5
C402	4030011600	S.CER C1608 JB 1E 104K-T	B	37/76.5
C403	4030011600	S.CER C1608 JB 1E 104K-T	B	25.8/67.6
C404	4030011600	S.CER C1608 JB 1E 104K-T	B	25.8/60.4
C405	4030011600	S.CER C1608 JB 1E 104K-T	B	34.9/50.6
C406	4030011600	S.CER C1608 JB 1E 104K-T	B	40.1/50.6
C407	4030011600	S.CER C1608 JB 1E 104K-T	B	44.4/50.6
C408	4030011600	S.CER C1608 JB 1E 104K-T	B	53.2/57.3
C409	4030011600	S.CER C1608 JB 1E 104K-T	B	53.4/62.5
C410	4030011600	S.CER C1608 JB 1E 104K-T	B	53.4/66
C411	4030011600	S.CER C1608 JB 1E 104K-T	B	55.6/51.2
C412	4030006860	S.CER C1608 JB 1H 102K-T	T	44/59.7
C413	4030006900	S.CER C1608 JB 1H 103K-T	T	41.4/59.7
C414	4030007150	S.CER C1608 CH 1H 151J-T	T	42.7/59.7
C415	4030011600	S.CER C1608 JB 1E 104K-T	B	29.9/45.5
C416	4510008540	S.ELE EEE1CA100SR	T	40.6/45.8
C417	4030011600	S.CER C1608 JB 1E 104K-T	B	29.8/47.6
C418	4510008540	S.ELE EEE1CA100SR	T	35.4/51.7
C419	4030006900	S.CER C1608 JB 1H 103K-T	T	39.7/75.5
C420	4030007150	S.CER C1608 CH 1H 151J-T	T	39.7/74.2
C421	4550007520	S.TAN F931A106MAABMA	B	34.4/41.8
C422	4030011600	S.CER C1608 JB 1E 104K-T	T	37/77.3
C423	4030011600	S.CER C1608 JB 1E 104K-T	B	50/100.1
C424	4030011600	S.CER C1608 JB 1E 104K-T	B	53.3/96.3
C425	4030011600	S.CER C1608 JB 1E 104K-T	B	49.3/86.4
C426	4030011600	S.CER C1608 JB 1E 104K-T	B	49.5/82.7
C427	4030011600	S.CER C1608 JB 1E 104K-T	B	41.5/77.8
C428	4030011600	S.CER C1608 JB 1E 104K-T	B	35.5/77.8
C429	4030011600	S.CER C1608 JB 1E 104K-T	B	32.9/77.8
C430	4030011600	S.CER C1608 JB 1E 104K-T	B	23.5/99.4
C431	4030011600	S.CER C1608 JB 1E 104K-T	B	27/87.4
C432	4030011600	S.CER C1608 JB 1E 104K-T	B	27/94
C433	4030011600	S.CER C1608 JB 1E 104K-T	B	27/97.2
C434	4030011600	S.CER C1608 JB 1E 104K-T	B	31.9/105.2
C435	4030011600	S.CER C1608 JB 1E 104K-T	B	35.5/105.2
C436	4030011600	S.CER C1608 JB 1E 104K-T	B	40.4/105.2
C437	4030011600	S.CER C1608 JB 1E 104K-T	T	32.4/108.5
C438	4030011600	S.CER C1608 JB 1E 104K-T	T	22.4/105.7
C439	4030011600	S.CER C1608 JB 1E 104K-T	T	27.5/122.5
C440	4030019220	S.CER C4532X7R3D222KT	T	19.8/126.2
C441	4030007130	S.CER C1608 CH 1H 101J-T	T	46.1/104.6
C442	4030011600	S.CER C1608 JB 1E 104K-T	T	46.1/105.9
C443	4030011600	S.CER C1608 JB 1E 104K-T	B	41.9/47.3
C444	4030007130	S.CER C1608 CH 1H 101J-T	B	24.5/60.4
C445	4030007130	S.CER C1608 CH 1H 101J-T	B	29.9/44.2
C446	4030007130	S.CER C1608 CH 1H 101J-T	B	31.1/47.6
C447	4030007130	S.CER C1608 CH 1H 101J-T	T	37/76
C448	4030007130	S.CER C1608 CH 1H 101J-T	B	26.5/80
C449	4030007130	S.CER C1608 CH 1H 101J-T	T	33.7/108.5
C450	4030007130	S.CER C1608 CH 1H 101J-T	T	23.7/105.7
C451	4030007130	S.CER C1608 CH 1H 101J-T	T	26.2/122.5
C452	4030011340	S.CER C1608 CH 1H 471J-T	T	38.7/58.7
C453	4030011600	S.CER C1608 JB 1E 104K-T	T	38.7/60
C501	4510008540	S.ELE EEE1CA100SR	T	150.1/128
C502	4030011600	S.CER C1608 JB 1E 104K-T	T	146.3/129.3
C503	4030011600	S.CER C1608 JB 1E 104K-T	T	146.3/131.9
C504	4030011600	S.CER C1608 JB 1E 104K-T	T	146.3/143.1
C505	4030011600	S.CER C1608 JB 1E 104K-T	T	137.2/146.2
C506	4030011600	S.CER C1608 JB 1E 104K-T	T	132.7/146.2
C507	4030011600	S.CER C1608 JB 1E 104K-T	T	126.3/143.1
C508	4030011600	S.CER C1608 JB 1E 104K-T	T	126.3/137.7
C509	4030011600	S.CER C1608 JB 1E 104K-T	T	126.3/134.6
C510	4030011600	S.CER C1608 JB 1E 104K-T	T	126.3/129
C511	4030011600	S.CER C1608 JB 1E 104K-T	T	131.8/123.9
C512	4030011600	S.CER C1608 JB 1E 104K-T	T	141/123.9
C513	4510008540	S.ELE EEE1CA100SR	T	150.4/134.5
C514	4030011600	S.CER C1608 JB 1E 104K-T	T	146.3/134.7
C515	4030011600	S.CER C1608 JB 1E 104K-T	T	146.3/137.3
C516	4030011600	S.CER C1608 JB 1E 104K-T	T	146.9/140.3
C517	4030008920	S.CER C1608 JB 1H 473K-T	B	140.2/132.7
C518	4030008920	S.CER C1608 JB 1H 473K-T	B	140.2/134
C519	4030008920	S.CER C1608 JB 1H 473K-T	B	140.2/136.6
C520	4030008920	S.CER C1608 JB 1H 473K-T	B	140.2/137.9
C521	4030008920	S.CER C1608 JB 1H 473K-T	B	140.2/139.2
C522	4030008920	S.CER C1608 JB 1H 473K-T	T	149/139.5
C523	4030008920	S.CER C1608 JB 1H 473K-T	B	137.4/135.3
C524	4030008920	S.CER C1608 JB 1H 473K-T	B	137.4/140.5
C525	4030007130	S.CER C1608 CH 1H 101J-T	T	147.6/137.3
C526	4030007130	S.CER C1608 CH 1H 101J-T	T	132.7/147.5
C550	4030006880	S.CER C1608 JB 1H 472K-T	B	147/21.6
C551	4030011600	S.CER C1608 JB 1E 104K-T	B	126.7/33.3
C552	4030011600	S.CER C1608 JB 1E 104K-T	B	128.7/37.5
C553	4030011600	S.CER C1608 JB 1E 104K-T	B	141.2/47.9
C554	4030011600	S.CER C1608 JB 1E 104K-T	B	140.9/23.5
C555	4510008540	S.ELE EEE1CA100SR	T	139.5/33.5
C556	4030011600	S.CER C1608 JB 1E 104K-T	B	152.7/31.7
C557	4030011600	S.CER C1608 JB 1E 104K-T	B	151.4/31.7
C558	4030011600	S.CER C1608 JB 1E 104K-T	B	143/23.2
C559	4030011600	S.CER C1608 JB 1E 104K-T	B	144.3/23.2
C560	4510008540	S.ELE EEE1CA100SR	T	144.3/32.4
C561	4030010240	S.CER C1608 JB 1H 391K-T	B	158.3/29.6
C562	4030007140	S.CER C1608 CH 1H 121J-T	B	155.3/34
C563	4030010040	S.CER C1608 JB 1H 561K-T	B	157.7/36.8
C564	4030007130	S.CER C1608 CH 1H 101J-T	B	140.9/24.8
C565	4030007130	S.CER C1608 CH 1H 101J-T	B	154/31.7
C601	4030011600	S.CER C1608 JB 1E 104K-T	B	54.8/34.2
C602	4030007130	S.CER C1608 CH 1H 101J-T	B	54.8/32.9

[LOGIC UNIT]

REF NO.	ORDER NO.	DESCRIPTION	M.	H/V LOCATION
C603	4030011600	S.CER C1608 JB 1E 104K-T	B	94.3/59.7
C604	4030011600	S.CER C1608 JB 1E 104K-T	B	115.1/51.8
C605	4030011600	S.CER C1608 JB 1E 104K-T	B	115.2/36.2
C606	4030011600	S.CER C1608 JB 1E 104K-T	B	99.1/32.6
C607	4030011600	S.CER C1608 JB 1E 104K-T	B	96.5/32.6
C608	4550007520	S.TAN F931A106MAABMA	T	91.1/34.1
C609	4550007520	S.TAN F931A106MAABMA	T	93.3/34.1
C610	4030006900	S.CER C1608 JB 1H 103K-T	B	87.6/37.7
C611	4030006900	S.CER C1608 JB 1H 103K-T	B	85/38.5
C612	4030007010	S.CER C1608 CH 1H 100D-T	T	95.6/31.9
C613	4030007010	S.CER C1608 CH 1H 100D-T	T	98.2/31.9
C614	4030011600	S.CER C1608 JB 1E 104K-T	B	100.9/29.2
C615	4030007130	S.CER C1608 CH 1H 101J-T	B	47.2/31.5
C616	4030011600	S.CER C1608 JB 1E 104K-T	B	47.2/30.2
C617	4030007130	S.CER C1608 CH 1H 101J-T	B	120.1/54.2
C618	4030007130	S.CER C1608 CH 1H 101J-T	B	88.9/37.7
C619	4030006880	S.CER C1608 JB 1H 472K-T	T	95.6/43.8
C620	4030006880	S.CER C1608 JB 1H 472K-T	T	95.6/41.2
C621	4030006880	S.CER C1608 JB 1H 472K-T	T	95.6/38.6
C622	4030006880	S.CER C1608 JB 1H 472K-T	T	95.6/36
C623	4030006880	S.CER C1608 JB 1H 472K-T	T	95.6/46.4
C624	4030006880	S.CER C1608 JB 1H 472K-T	B	88/40.4
C625	4030007130	S.CER C1608 CH 1H 101J-T	B	86.3/38.5
C626	4030011600	S.CER C1608 JB 1E 104K-T	B	75.1/35.3
C627	4030011600	S.CER C1608 JB 1E 104K-T	B	78.4/35.3
C628	4030011600	S.CER C1608 JB 1E 104K-T	B	81.3/44.1
C629	4030011600	S.CER C1608 JB 1E 104K-T	B	68.5/52.5
C630	4030011600	S.CER C1608 JB 1E 104K-T	B	165.6/66.7
C631	4030011600	S.CER C1608 JB 1E 104K-T	B	163.6/63.1
C632	4030011600	S.CER C1608 JB 1E 104K-T	B	148.1/79.9
C633	4030011600	S.CER C1608 JB 1E 104K-T	B	152.9/81.7
C634	4030011600	S.CER C1608 JB 1E 104K-T	B	167.4/77.2
C635	4030011600	S.CER C1608 JB 1E 104K-T	B	145.8/73.5
C636	4030011600	S.CER C1608 JB 1E 104K-T	B	145.8/67.1
C637	4510008540	S.ELE EEE1CA100SR	T	116.5/47.3
C638	4030011600	S.CER C1608 JB 1E 104K-T	T	21.2/132.3
C639	4030011600	S.CER C1608 JB 1E 104K-T	T	21.2/135.4
C640	4030007130	S.CER C1608 CH 1H 101J-T	B	73.2/34.5
C641	4030007130	S.CER C1608 CH 1H 101J-T	B	80.3/37.2
C642	4030007130	S.CER C1608 CH 1H 101J-T	B	80/44.1
C643	4030007130	S.CER C1608 CH 1H 101J-T	B	69.8/51.5
C644	4030007130	S.CER C1608 CH 1H 101J-T	B	145.8/69.8
C645	4030007130	S.CER C1608 CH 1H 101J-T	T	22.5/132.9
C801	4510008540	S.ELE EEE1CA100SR	T	183/147.2
C802	4030011600	S.CER C1608 JB 1E 104K-T	B	169.5/148.9
C803	4030011600	S.CER C1608 JB 1E 104K-T	B	169.5/151.8
C804	4510008540	S.ELE EEE1CA100SR	T	183/152
C805	4510008540	S.ELE EEE1CA100SR	T	191.5/142.4
C806	4030011600	S.CER C1608 JB 1E 104K-T	B	191.9/131.1
C807	4030011600	S.CER C1608 JB 1E 104K-T	B	189/131.1
C808	4510008540	S.ELE EEE1CA100SR	T	186.7/142.4
C809	4510008540	S.ELE EEE1CA100SR	T	22.8/8.3
C810	4030011600	S.CER C1608 JB 1E 104K-T	B	30.6/6.6
C811	4030011600	S.CER C1608 JB 1E 104K-T	B	30.6/3.7
C812	4510008540	S.ELE EEE1CA100SR	T	22.8/3.5
C813	4510008540	S.ELE EEE1CA100SR	T	181.3/38.6
C814	4030011600	S.CER C1608 JB 1E 104K-T	B	176.6/36.7
C815	4030011600	S.CER C1608 JB 1E 104K-T	B	176.6/39.6
C816	4510008520	S.ELE EEE1CA470SP	T	175.2/39.8
C817	4550007520	S.TAN F931A106MAABMA	B	9.7/18.1
C818	4030011600	S.CER C1608 JB 1E 104K-T	B	11.6/19.1
C819	4030011600	S.CER C1608 JB 1E 104K-T	B	17.2/20.5
C820	4550007210	S.TAN F930G476MBABMA	B	20.1/22.3
C823	4030006860	S.CER C1608 JB 1H 102K-T	B	182.3/51.5
C824	4030007130	S.CER C1608 CH 1H 101J-T	B	186.2/51.5
C825	4030006860	S.CER C1608 JB 1H 102K-T	B	182.4/55.2
C826	4030007130	S.CER C1608 CH 1H 101J-T	B	186.2/55.3
C827	4030018960	S.CER C3216 JB 1C 106MT-N	T	44.1/144.5
C828	4030011600	S.CER C1608 JB 1E 104K-T	B	44.1/145.9
C829	4030011600	S.CER C1608 JB 1E 104K-T	B	44.1/148.7
C830	4030018960	S.CER C3216 JB 1C 106MT-N	T	44.1/149.5
C847	4510008520	S.ELE EEE1CA470SP	T	187.1/71

[LOGIC UNIT]

REF NO.	ORDER NO.	DESCRIPTION	M.	H/V LOCATION
C893	4030007050	S.CER C1608 CH 1H 220J-T	T	57.7/28.7
C894	4030007050	S.CER C1608 CH 1H 220J-T	T	59/42.5
C895	4030006860	S.CER C1608 JB 1H 102K-T	T	59/28.7
C896	4030007050	S.CER C1608 CH 1H 220J-T	T	60.3/42.5
C897	4030007050	S.CER C1608 CH 1H 220J-T	T	60.3/28.7
C911	4030006900	S.CER C1608 JB 1H 103K-T	B	10.3/132.5
C912	4030006900	S.CER C1608 JB 1H 103K-T	B	6.6/128.1
C913	4030006900	S.CER C1608 JB 1H 103K-T	B	5.5/132.8
C914	4030006900	S.CER C1608 JB 1H 103K-T	B	6.6/126.8
C915	4030006900	S.CER C1608 JB 1H 103K-T	B	9.3/122.8
C916	4030006900	S.CER C1608 JB 1H 103K-T	B	6.6/125.5
C917	4030006900	S.CER C1608 JB 1H 103K-T	B	9/132.5
C918	4030006900	S.CER C1608 JB 1H 103K-T	B	6.6/124.2
C919	4030006900	S.CER C1608 JB 1H 103K-T	T	10/126.2
C920	4030006900	S.CER C1608 JB 1H 103K-T	B	6.6/122.9
C921	4030006900	S.CER C1608 JB 1H 103K-T	T	8.6/123.6
C922	4030006900	S.CER C1608 JB 1H 103K-T	B	6.6/121.6
C923	4030006900	S.CER C1608 JB 1H 103K-T	B	6.6/129.4
C924	4030006860	S.CER C1608 JB 1H 102K-T	T	11.3/142.7
C925	4030007130	S.CER C1608 CH 1H 101J-T	T	10/142.7
C926	4030006860	S.CER C1608 JB 1H 102K-T	B	10.7/135.6
C927	4030007130	S.CER C1608 CH 1H 101J-T	B	13.9/135.5
C928	4030006860	S.CER C1608 JB 1H 102K-T	B	12/133
C929	4030007130	S.CER C1608 CH 1H 101J-T	B	13.9/134.2
C930	4030006860	S.CER C1608 JB 1H 102K-T	B	7/137.5
C931	4030006860	S.CER C1608 JB 1H 102K-T	T	64.6/138.2
C932	4030006860	S.CER C1608 JB 1H 102K-T	T	62.6/138.2
C933	4030006860	S.CER C1608 JB 1H 102K-T	T	59.6/137
C934	4030006860	S.CER C1608 JB 1H 102K-T	T	55.8/138.4
C935	4030006860	S.CER C1608 JB 1H 102K-T	T	51/151.5
C936	4030006860	S.CER C1608 JB 1H 102K-T	T	52.6/138.5
C937	4030007130	S.CER C1608 CH 1H 101J-T	B	7/138.8
C938	4030006860	S.CER C1608 JB 1H 102K-T	B	7/136.1
C939	4030007130	S.CER C1608 CH 1H 101J-T	B	7/134.7
C940	4030006860	S.CER C1608 JB 1H 102K-T	B	4/110.6
C941	4030006900	S.CER C1608 JB 1H 103K-T	T	73.6/138.1
C942	4030006900	S.CER C1608 JB 1H 103K-T	T	74.9/137.1
C943	4030006900	S.CER C1608 JB 1H 103K-T	T	76.2/137.1
C944	4030006900	S.CER C1608 JB 1H 103K-T	T	77.5/137.1
C945	4030006900	S.CER C1608 JB 1H 103K-T	T	80.1/138.7
C946	4030006900	S.CER C1608 JB 1H 103K-T	T	81.5/136.2
C947	4030007050	S.CER C1608 CH 1H 220J-T	T	83.2/137.7
C948	4030007050	S.CER C1608 CH 1H 220J-T	T	84.5/137.7
C949	4030007050	S.CER C1608 CH 1H 220J-T	T	85.8/137.6
C950	4030007050	S.CER C1608 CH 1H 220J-T	T	87.1/137.6
C951	4030007050	S.CER C1608 CH 1H 220J-T	T	88.4/137.6
C952	4030007050	S.CER C1608 CH 1H 220J-T	T	89.7/137.6
C953	4030007050	S.CER C1608 CH 1H 220J-T	T	91/137.6
C954	4030006880	S.CER C1608 JB 1H 472K-T	T	96.1/137.9
C955	4030006880	S.CER C1608 JB 1H 472K-T	T	98.7/137.9
C956	4030006880	S.CER C1608 JB 1H 472K-T	T	101/137.6
C957	4030006880	S.CER C1608 JB 1H 472K-T	T	102.3/137.6
C958	4030007130	S.CER C1608 CH 1H 101J-T	B	4/109.3
C959	4030006860	S.CER C1608 JB 1H 102K-T	B	8.5/101.3
C960	4030006860	S.CER C1608 JB 1H 102K-T	T	27.8/20.1
C961	4030006880	S.CER C1608 JB 1H 472K-T	T	173.4/12.8
C962	4030006880	S.CER C1608 JB 1H 472K-T	T	173.4/15.5
C963	4030006880	S.CER C1608 JB 1H 472K-T	T	173.4/18.1
C964	4030007050	S.CER C1608 CH 1H 220J-T	T	173.4/22
C965	4030007050	S.CER C1608 CH 1H 220J-T	T	173.4/23.3
C966	4030007050	S.CER C1608 CH 1H 220J-T	T	173.4/24.6
C967	4030006880	S.CER C1608 JB 1H 472K-T	T	173.4/29.8
C968	4030006880	S.CER C1608 JB 1H 472K-T	T	173.4/31.5
C969	4030006880	S.CER C1608 JB 1H 472K-T	T	173.4/28.2
C970	4030007050	S.CER C1608 CH 1H 220J-T	T	173.4/25.9
C971	4030007050	S.CER C1608 CH 1H 220J-T	T	173.4/20.7
C972	4030006880	S.CER C1608 JB 1H 472K-T	T	173.4/19.4
C973	4030006880	S.CER C1608 JB 1H 472K-T	T	173.4/16.8
C974	4030006880	S.CER C1608 JB 1H 472K-T	T	173.4/14.2
C975	4030007130	S.CER C1608 CH 1H 101J-T	B	8.5/102.6
C976	4030011340	S.CER C1608 CH 1H 471J-T	T	176.9/127.1
C977	4030011340	S.CER C1608 CH 1H 471J-T	T	176.9/128.4
C978	4030011340	S.CER C1608 CH 1H 471J-T	T	176.9/129.7
C979	4030006880	S.CER C1608 JB 1H 472K-T	T	176.9/131
C980	4030006880	S.CER C1608 JB 1H 472K-T	T	176.9/133
C981	4030006880	S.CER C1608 JB 1H 472K-T	T	176.9/135.6
C982	4030011340	S.CER C1608 CH 1H 471J-T	T	27.7/138.1
C983	4030011340	S.CER C1608 CH 1H 471J-T	T	29/138.1
C984	4030006880	S.CER C1608 JB 1H 472K-T	T	31.2/136.3
C985	4030006880	S.CER C1608 JB 1H 472K-T	T	34.7/137
C986	4030006880	S.CER C1608 JB 1H 472K-T	T	36/137
C987	4030006880	S.CER C1608 JB 1H 472K-T	T	38.2/137.6
C991	4030006880	S.CER C1608 JB 1H 472K-T	T	37/10.3
C992	4030006880	S.CER C1608 JB 1H 472K-T	T	41.4/8.9
C1001	4510008540	S.ELE EEE1CA100SR	T	40.7/122.6
C1002	4510008560	S.ELE EEE1HAR47SR	T	16.1/139.4
C1004	4030011600	S.CER C1608 JB 1E 104K-T	B	29.5/122.7
C1005	4510008540	S.ELE EEE1CA100SR	T	31.1/129.3
C1006	4030011600	S.CER C1608 JB 1E 104K-T	B	29.5/133
C1007	4510008540	S.ELE EEE1CA100SR	T	25.6/130.6
C1011	4510008540	S.ELE EEE1CA100SR	T	40.7/127.4
C1012	4030009490	S.CER C1608 JB 1H 821K-T	B	23.4/132.3
C1013	4030009490	S.CER C1608 JB 1H 821K-T	B	28.2/133
C1014	4510008540	S.ELE EEE1CA100SR	T	40.7/132.2
C1015	4030010760	S.CER C1608 CH 1H 331J-T	B	32/132.3
C1016	4030008470	S.CER C1608 JB 1H 272K-T	B	33.9/133
C1031	4510008500	S.ELE EEE1CA101WP	T	163.7/125
C1032	4510008500	S.ELE EEE1CA101WP	T	156.3/134.6
C1033	4030011600	S.CER C1608 JB 1E 104K-T	T	169.6/131.9
C1034	4510008500	S.ELE EEE1CA101WP	T	171.9/126
C1035	4030018910	S.CER C1608 JB 0J 475K-T	T	172.2/131.9
C1036	4510008500	S.ELE EEE1CA101WP	T	164.5/137.6
C1037	4550007410	S.TAN F931A157MNBMA	T	172.7/146.1
C1051	4510008510	S.ELE EEE1CA471P	T	78/20

[LOGIC UNIT]

REF NO.	ORDER NO.	DESCRIPTION	M.	H/V LOCATION
C1052	4510008510	S.ELE EEE1CA471P	T	27.8/28.3
C1053	4510008510	S.ELE EEE1CA471P	T	5.7/19.3
C1054	4510008510	S.ELE EEE1CA471P	T	16.5/19.3
C1055	4510008510	S.ELE EEE1CA471P	T	54/20
C1056	4030006900	S.CER C1608 JB 1H 103K-T	T	40.6/24.4
C1057	4030011600	S.CER C1608 JB 1E 104K-T	T	3.1/10.6
C1058	4030011600	S.CER C1608 JB 1E 104K-T	T	35.2/27.4
C1059	4030011600	S.CER C1608 JB 1E 104K-T	T	65/21.7
C1060	4030011600	S.CER C1608 JB 1E 104K-T	T	15.9/10.8
C1061	4030011600	S.CER C1608 JB 1E 104K-T	T	53.3/12.3
C1062	4030017490	S.CER C1608 JB 1A 105K-T	T	4.4/10.6
C1063	4030017490	S.CER C1608 JB 1A 105K-T	T	33.9/27.4
C1064	4030017490	S.CER C1608 JB 1A 105K-T	T	66.3/21.7
C1065	4030017490	S.CER C1608 JB 1A 105K-T	T	17.2/10.8
C1066	4030017490	S.CER C1608 JB 1A 105K-T	T	53.3/11
C1162	4030006860	S.CER C1608 JB 1H 102K-T	T	32.3/11
C1164	4030006860	S.CER C1608 JB 1H 102K-T	T	35.4/21.2
C1165	4030006860	S.CER C1608 JB 1H 102K-T	T	37.3/22.4
C1401	4030007170	S.CER C1608 CH 1H 221J-T	T	121.1/24.6
C1402	4030007170	S.CER C1608 CH 1H 221J-T	T	122.5/24.6
C1403	4030007170	S.CER C1608 CH 1H 221J-T	T	123.9/24.6
C1404	4030007170	S.CER C1608 CH 1H 221J-T	T	125.3/24.6
C1405	4030007170	S.CER C1608 CH 1H 221J-T	T	126.7/24.6
C1406	4030007170	S.CER C1608 CH 1H 221J-T	T	128.1/24.6
C1407	4030007170	S.CER C1608 CH 1H 221J-T	T	129.5/24.6
C1408	4030007170	S.CER C1608 CH 1H 221J-T	T	130.9/24.6
C1409	4030007170	S.CER C1608 CH 1H 221J-T	T	132.3/24.6
C1410	4030007170	S.CER C1608 CH 1H 221J-T	T	133.7/24.6
C1411	4030007170	S.CER C1608 CH 1H 221J-T	T	135.1/24.6
J1	6510022490	S.CNR AXK5S30045P	T	54.7/113
J2	6510019870	S.CNR AXK5S40045P	T	99.7/113
J52	6510023261	S.CNR B6B-PH-SM4-TB (LF) (SN)	T	161.7/94.7
J102	6510019981	S.CNR 52808-1671 (1690)	T	87.2/55
J604	6510019971	S.CNR 52808-1071	T	87.2/38
J801	6510003441	CNR B08B-EH-S (LF) (SN)		
J802	6510003461	CNR B10B-EH-S (LF) (SN)		
J803	6510020251	S.CNR B9B-PH-SM4-TB (LF) (SN)	T	14/113.8
J805	6510020081	S.CNR 52808-2071 (2090)	T	188/53.7
J806	6510022471	S.CNR 40FLT-SM2-TB (LF) (SN)	T	188/85.9
J811	6510021721	S.CNR 30FLT-SM2-TB (LF) (SN)	T	5.1/112
J812	6510021721	S.CNR 30FLT-SM2-TB (LF) (SN)	T	5.1/130.6
J813	6510024151	S.CNR 50FY-BMT-TB (LF) (SN)	T	5.3/46.2
J814	6510019981	S.CNR 52808-1671 (1690)	T	58.1/146.5
J815	6510021721	S.CNR 30FLT-SM2-TB (LF) (SN)	T	51.9/35.26
J816	6510024521	S.CNR 12FLT-SM2-TB (LF) (SN)	T	5.8/66
J817	6510020081	S.CNR 52808-2071 (2090)	T	81.5/146.5
J818	6510019971	S.CNR 52808-1071	T	101.5/146.5
J819	6510021721	S.CNR 30FLT-SM2-TB (LF) (SN)	T	188/21.1
J820	6510019981	S.CNR 52808-1671 (1690)	T	188/129.5
J821	6510019981	S.CNR 52808-1671 (1690)	T	30.8/146.5
J822	6510020251	S.CNR 52808-1271 (1290)	T	35.6/4.2
J851	6510018961	S.CNR B2B-PH-SM4-TB (LF) (SN)	T	153.7/146.5
J852	6510018961	S.CNR B2B-PH-SM4-TB (LF) (SN)	T	165.1/146.5
J853	6510019981	S.CNR 52808-1671 (1690)	T	33.6/115.2
J900	6510021721	S.CNR 30FLT-SM2-TB (LF) (SN)	T	128.4/31.5
DS401	5040002930	S.LED SML-512MW T86	T	40.5/104.6
DS402	5040002930	S.LED SML-512MW T86	T	40.5/103.3
DS403	5040002930	S.LED SML-512MW T86	T	40.5/102
S51	2260001890	S.SW SKQDPA	T	170.5/56.7
T401	5920000841	S.TSM H1102NL	T	27/115.4
EP2	6910015970	S.BEA MMZ1608B 301CT-AS	T	58.1/120.5
EP3	6910015970	S.BEA MMZ1608B 301CT-AS	T	108.9/117
EP4	6910015970	S.BEA MMZ1608B 301CT-AS	B	72.4/115.3
EP5	6910015970	S.BEA MMZ1608B 301CT-AS	T	61.5/121.7
EP51	6910015970	S.BEA MMZ1608B 301CT-AS	B	102.4/81.2
EP52	6910015970	S.BEA MMZ1608B 301CT-AS	B	142.2/78.3
EP53	6910015970	S.BEA MMZ1608B 301CT-AS	T	155.3/51.8
EP54	6910015970	S.BEA MMZ1608B 301CT-AS	T	164.6/55
EP55	6910015970	S.BEA MMZ1608B 301CT-AS	T	117.2/52.7
EP104	6910015970	S.BEA MMZ1608B 301CT-AS	T	36.5/86.9
EP105	6910015970	S.BEA MMZ1608B 301CT-AS	T	79.5/51.7
EP106	6910015970	S.BEA MMZ1608B 301CT-AS	T	26.4/72.7
EP107	6910015970	S.BEA MMZ1608B 301CT-AS	T	20.9/87.5

[LOGIC UNIT]

REF NO.	ORDER NO.	DESCRIPTION	M.	H/V LOCATION
EP401	6910013310	S.BEA MMZ1608D121B	T	34.1/94.6
EP402	6910013310	S.BEA MMZ1608D121B	T	32/90.6
EP403	6910013310	S.BEA MMZ1608D121B	T	34.1/97.5
EP404	6910015970	S.BEA MMZ1608B 301CT-AS	B	23.2/61.9
EP405	6910012350	S.BEA MMZ1608Y 102BT	T	36.8/59.4
EP411	6910014730	S.BEA MPZ2012S331A-T	T	40.1/41
EP412	6910014730	S.BEA MPZ2012S331A-T	T	36.4/47.8
EP421	6910015970	S.BEA MMZ1608B 301CT-AS	B	23.9/78.8
EP422	6910015970	S.BEA MMZ1608B 301CT-AS	T	35.5/81.3
EP423	6910015970	S.BEA MMZ1608B 301CT-AS	T	46.1/102
EP431	6910015970	S.BEA MMZ1608B 301CT-AS	T	34.4/114.1
EP501	6910015970	S.BEA MMZ1608B 301CT-AS	T	151.4/138
EP502	6910015970	S.BEA MMZ1608B 301CT-AS	T	146.3/126.5
EP503	6910015970	S.BEA MMZ1608B 301CT-AS	T	138.5/30
EP504	6910015970	S.BEA MMZ1608B 301CT-AS	B	153.5/37.9
EP601	6910015970	S.BEA MMZ1608B 301CT-AS	B	58.3/34.9
EP602	6910015970	S.BEA MMZ1608B 301CT-AS	B	119.3/51.9
EP603	6910015970	S.BEA MMZ1608B 301CT-AS	B	86.8/35.8
EP604	6910015970	S.BEA MMZ1608B 301CT-AS	B	82.9/37.7
EP605	6910015970	S.BEA MMZ1608B 301CT-AS	B	75.5/34
EP606	6910015970	S.BEA MMZ1608B 301CT-AS	B	81/35.3
EP607	6910015970	S.BEA MMZ1608B 301CT-AS	B	80.7/42.2
EP608	6910015970	S.BEA MMZ1608B 301CT-AS	B	70.4/53.3
EP609	6910015970	S.BEA MMZ1608B 301CT-AS	B	45.7/33.5
EP621	6910015970	S.BEA MMZ1608B 301CT-AS	T	21.2/129.5
EP631	6910015970	S.BEA MMZ1608B 301CT-AS	B	144.5/73.5
EP801	6910013310	S.BEA MMZ1608D121B	T	180.7/96.6
EP802	6910013310	S.BEA MMZ1608D121B	T	178.1/95.9
EP803	6910013310	S.BEA MMZ1608D121B	T	180.7/95.2
EP804	6910013310	S.BEA MMZ1608D121B	T	178.1/94.5
EP805	6910013310	S.BEA MMZ1608D121B	T	180.7/93.8
EP806	6910013310	S.BEA MMZ1608D121B	T	178.1/93.1
EP807	6910013310	S.BEA MMZ1608D121B	T	180.7/92.4
EP808	6910013310	S.BEA MMZ1608D121B	T	178.1/91.7
EP809	6910013310	S.BEA MMZ1608D121B	T	180.7/91
EP810	6910013310	S.BEA MMZ1608D121B	T	178.1/90.3
EP811	6910013310	S.BEA MMZ1608D121B	T	180.7/89.6
EP812	6910013310	S.BEA MMZ1608D121B	T	178.1/88.9
EP813	6910013310	S.BEA MMZ1608D121B	T	180.7/88.2
EP814	6910013310	S.BEA MMZ1608D121B	T	178.1/87.5
EP815	6910013310	S.BEA MMZ1608D121B	T	180.7/86.8
EP816	6910013310	S.BEA MMZ1608D121B	T	178.1/86.1
EP817	6910013310	S.BEA MMZ1608D121B	T	180.7/85.4
EP818	6910013310	S.BEA MMZ1608D121B	T	178.1/84.7
EP819	6910013310	S.BEA MMZ1608D121B	T	180.7/84
EP820	6910013310	S.BEA MMZ1608D121B	T	180.7/82
EP822	6910014730	S.BEA MPZ2012S331A-T	T	181.6/48.5
EP823	6910014730	S.BEA MPZ2012S331A-T	T	181.6/51.3
EP825	6910014730	S.BEA MPZ2012S331A-T	T	181.5/55.2
EP826	6910015970	S.BEA MMZ1608B 301CT-AS	T	182.5/57.7
EP827	6910015970	S.BEA MMZ1608B 301CT-AS	T	182.5/60.3
EP828	6910015970	S.BEA MMZ1608B 301CT-AS	T	182.5/61.6
EP829	6910015970	S.BEA MMZ1608B 301CT-AS	T	182.5/59
EP851	6910014730	S.BEA MPZ2012S331A-T	T	135.3/9.8
EP853	6910014730	S.BEA MPZ2012S331A-T	T	137.8/9.8
EP854	6910014730	S.BEA MPZ2012S331A-T	T	140.3/9.8
EP855	6910014730	S.BEA MPZ2012S331A-T	T	142.8/9.8
EP856	6910014730	S.BEA MPZ2012S331A-T	T	132.8/9.9
EP857	6910014730	S.BEA MPZ2012S331A-T	T	130.3/9.9
EP861	6910014730	S.BEA MPZ2012S331A-T	T	66.4/10.1
EP862	6910014730	S.BEA MPZ2012S331A-T	T	68.4/10.1
EP901	6910015970	S.BEA MMZ1608B 301CT-AS	T	8.7/105.3
EP902	6910014730	S.BEA MPZ2012S331A-T	T	2.1/111.2
EP903	6910014730	S.BEA MPZ2012S331A-T	T	9.6/134.5
EP904	6910014730	S.BEA MPZ2012S331A-T	T	15.2/126.1
EP905	6910014730	S.BEA MPZ2012S331A-T	T	71.2/142
EP906	6910014730	S.BEA MPZ2012S331A-T	T	91/151
EP907	6910014730	S.BEA MPZ2012S331A-T	T	106/151
EP908	6910014730	S.BEA MPZ2012S331A-T	T	97/151
EP909	6910014730	S.BEA MPZ2012S331A-T	T	38.3/151
EP910	6910014730	S.BEA MPZ2012S331A-T	T	28.3/151
EP911	6910014730	S.BEA MPZ2012S331A-T	T	9.1/140.6
EP912	6910014730	S.BEA MPZ2012S331A-T	T	9.1/138.9
EP913	6910015970	S.BEA MMZ1608B 301CT-AS	T	9.2/137.3
EP914	6910015970	S.BEA MMZ1608B 301CT-AS	T	9.2/136
EP915	6910015970	S.BEA MMZ1608B 301CT-AS	B	4.2/137.3
EP916	6910015970	S.BEA MMZ1608B 301CT-AS	B	4.2/135.7
EP920	6910015970	S.BEA MMZ1608B 301CT-AS	T	2.2/107.5
EP921	6910014730	S.BEA MPZ2012S331A-T	T	20.9/142
EP931	6910015970	S.BEA MMZ1608B 301CT-AS	T	52.6/141.2
EP932	6910015970	S.BEA MMZ1608B 301CT-AS	T	53.3/150.8
EP933	6910015970	S.BEA MMZ1608B 301CT-AS	T	59.6/140.9
EP934	6910014730	S.BEA MPZ2012S331A-T	T	56.6/140.7
EP941	6910015970	S.BEA MMZ1608B 301CT-AS	T	73.6/140.9
EP942	6910015970	S.BEA MMZ1608B 301CT-AS	T	74.9/140.9
EP943	6910015970	S.BEA MMZ1608B 301CT-AS	T	76.2/140.9
EP944	6910015970	S.BEA MMZ1608B 301CT-AS	T	77.5/140.9
EP945	6910014730	S.BEA MPZ2012S331A-T	T	81.6/140.9
EP951	6910014730	S.BEA MPZ2012S331A-T	T	99.1/140.1
EP952	6910014730	S.BEA MPZ2012S331A-T	T	95.3/140.1
EP961	6910015970	S.BEA MMZ1608B 301CT-AS	T	177.4/19.1
EP963	6910014730	S.BEA MPZ2012S331A-T	T	179.2/26.7
EP964	6910014730	S.BEA MPZ2012S331A-T	T	179.2/28.4
EP965	6910014730	S.BEA MPZ2012S331A-T	T	179.3/30.2
EP971	6910015970	S.BEA MMZ1608B 301CT-AS	T	180.7/133
EP972	6910015970	S.BEA MMZ1608B 301CT-AS	T	180.7/131
EP973	6910015970	S.BEA MMZ1608B 301CT-AS	T	183.2/130
EP974	6910015970	S.BEA MMZ1608B 301CT-AS	T	180.7/129
EP975	6910014730	S.BEA MPZ2012S331A-T	T	181.8/135.6
EP976	6910015970	S.BEA MMZ1608B 301CT-AS	T	183.2/128
EP981	6910015970	S.BEA MMZ1608B 301CT-AS	T	36/140.9
EP982	6910015970	S.BEA MMZ1608B 301CT-AS	T	34.7/140.9
EP983	6910014730	S.BEA MPZ2012S331A-T	T	38.2/140.5
EP984	6910014730	S.BEA MPZ2012S331A-T	T	31.2/140.5

[LOGIC UNIT]

REF NO.	ORDER NO.	DESCRIPTION	M.	H/V LOCATION
EP991	6910015970	S.BEA MMZ1608B 301CT-AS	T	37.8/8.3
EP992	6910014730	S.BEA MPZ2012S331A-T	T	39.8/8.7
EP1051	6910014730	S.BEA MPZ2012S331A-T	T	124.8/9.9
EP1052	6910014730	S.BEA MPZ2012S331A-T	T	58.7/10.2
EP1053	6910014730	S.BEA MPZ2012S331A-T	T	56.2/10.2
EP1054	6910014730	S.BEA MPZ2012S331A-T	T	22.8/19
EP1055	6910014730	S.BEA MPZ2012S331A-T	T	19.3/13
EP1056	6910014730	S.BEA MPZ2012S331A-T	B	22.7/19.4
EP1101	6910013310	S.BEA MMZ1608D121B	T	13.3/29.8
EP1102	6910013310	S.BEA MMZ1608D121B	T	10.5/30.5
EP1103	6910013310	S.BEA MMZ1608D121B	T	13.3/31.2
EP1104	6910013310	S.BEA MMZ1608D121B	T	10.5/31.9
EP1105	6910013310	S.BEA MMZ1608D121B	T	13.3/32.6
EP1106	6910013310	S.BEA MMZ1608D121B	T	10.5/33.3
EP1107	6910013310	S.BEA MMZ1608D121B	T	13.3/34
EP1108	6910013310	S.BEA MMZ1608D121B	T	10.5/34.7
EP1109	6910013310	S.BEA MMZ1608D121B	T	13.3/35.4
EP1110	6910013310	S.BEA MMZ1608D121B	T	10.5/36.1
EP1111	6910013310	S.BEA MMZ1608D121B	T	13.3/36.8
EP1112	6910013310	S.BEA MMZ1608D121B	T	10.5/37.5
EP1113	6910013310	S.BEA MMZ1608D121B	T	13.3/38.2
EP1114	6910013310	S.BEA MMZ1608D121B	T	10.5/38.9
EP1115	6910013310	S.BEA MMZ1608D121B	T	13.3/39.6
EP1116	6910013310	S.BEA MMZ1608D121B	T	10.5/40.3
EP1117	6910013310	S.BEA MMZ1608D121B	T	13.3/41
EP1118	6910013310	S.BEA MMZ1608D121B	T	10.5/41.7
EP1119	6910013310	S.BEA MMZ1608D121B	T	13.3/42.4
EP1120	6910013310	S.BEA MMZ1608D121B	T	10.5/43.1
EP1121	6910013310	S.BEA MMZ1608D121B	T	13.3/43.8
EP1122	6910013310	S.BEA MMZ1608D121B	T	10.5/44.5
EP1123	6910013310	S.BEA MMZ1608D121B	T	13.3/45.2
EP1124	6910013310	S.BEA MMZ1608D121B	T	10.5/47.2
EP1125	6910013310	S.BEA MMZ1608D121B	T	13.3/47.9
EP1126	6910013310	S.BEA MMZ1608D121B	T	10.5/48.6
EP1127	6910013310	S.BEA MMZ1608D121B	T	13.3/49.3
EP1128	6910013310	S.BEA MMZ1608D121B	T	10.5/50
EP1129	6910013310	S.BEA MMZ1608D121B	T	13.3/50.7
EP1130	6910013310	S.BEA MMZ1608D121B	T	10.5/51.4
EP1131	6910013310	S.BEA MMZ1608D121B	T	13.3/52.1
EP1132	6910013310	S.BEA MMZ1608D121B	T	10.5/52.8
EP1133	6910013310	S.BEA MMZ1608D121B	T	13.3/53.5
EP1134	6910013310	S.BEA MMZ1608D121B	T	10.5/54.2
EP1135	6910013310	S.BEA MMZ1608D121B	T	13.3/54.9
EP1136	6910013310	S.BEA MMZ1608D121B	T	10.5/55.6
EP1137	6910013310	S.BEA MMZ1608D121B	T	13.3/56.3
EP1138	6910013310	S.BEA MMZ1608D121B	T	10.5/57
EP1139	6910013310	S.BEA MMZ1608D121B	T	13.3/57.7
EP1140	6910013310	S.BEA MMZ1608D121B	T	10.5/58.4
EP1141	6910013310	S.BEA MMZ1608D121B	T	13.3/59.1
EP1142	6910013310	S.BEA MMZ1608D121B	T	10.5/59.8
EP1143	6910013310	S.BEA MMZ1608D121B	T	13.3/60.5
EP1144	6910013310	S.BEA MMZ1608D121B	T	10.5/61.2
EP1145	6910013310	S.BEA MMZ1608D121B	T	13.3/61.9
EP1146	6910013310	S.BEA MMZ1608D121B	T	10.5/62.6
EP1147	6910014730	S.BEA MPZ2012S331A-T	T	22.5/45.8
EP1149	6910014730	S.BEA MPZ2012S331A-T	T	39.6/19.8
EP1263	6910015970	S.BEA MMZ1608B 301CT-AS	T	36.2/19.8
EP1273	6910015970	S.BEA MMZ1608B 301CT-AS	T	38.1/19.4

M.=Mounted side (T: Mounted on the Top side B: Mounted on the Bottom side)
S.=Surface mount

[MAIN UNIT]

REF NO.	ORDER NO.	DESCRIPTION	M.	H/V LOCATION
IC101	1180000720	S.IC AN79L05M-(E1)	B	73.8/9.7
IC201	1130013370	S.IC HD74LV2GT34AUSE-E	T	56.5/48
IC202	1130006891	S.IC TC7S04FU (TE85R,F)	T	51.6/46
IC203	1140007881	S.IC TC190G08EFG0046JDZ/SC1246A	T	59.1/34.4
IC1002	1130012610	S.IC SN74AHC1GU04DCKR	T	92.9/59.5
IC1004	1130012600	S.IC SN74AHC1G04DCKR	T	92.7/63.3
IC1005	1140012211	S.IC TM5320C6713BZDP225	B	75.4/76.6
IC1006	1130013740	S.IC AT29LV040A-15TU (RX-2844D) except [FRA], [AUS], [CHN]	T	54/76.7
	1130013743	S.IC AT29LV040A-15TU (RX-2844D-3) [FRA], [AUS], [CHN]	T	54/76.7
IC1076	1110006411	S.IC R3111N111A-TR-F	T	76.8/91.6
IC1301	1130013110	S.IC KIC7W53FK-RTK/P	B	101.6/16.6
IC1302	1110006100	S.IC NJM5534MD-TE1-#ZZZB	B	110.5/10.5
IC1304	1110006100	S.IC NJM5534MD-TE1-#ZZZB	B	101.2/26.5
IC1305	1110006100	S.IC NJM5534MD-TE1-#ZZZB	B	112.5/26.7
IC1331	1110005100	S.IC NJM072BM-TE1-#ZZZB	B	123/14.3
IC1332	1130013110	S.IC KIC7W53FK-RTK/P	B	122.5/23.2
IC1351	1110006111	S.IC AK5394AVSP/P	B	103.3/42.1
IC1353	1130006891	S.IC TC7S04FU (TE85R,F)	B	71.4/50.5
IC1355	1130012610	S.IC SN74AHC1GU04DCKR	B	71.4/46.1
IC1401	1130012580	S.IC AK4355-VF-E2	B	83.1/50.1
IC1421	1110005420	S.IC BA15532F-E2	B	79.9/30
IC1471	1110005420	S.IC BA15532F-E2	B	90.1/30
IC1601	1180002650	S.REG SI-3012KS-TL	B	64.9/95
IC2001	1180002650	S.REG SI-3012KS-TL	B	121.3/95.3
IC2051	1180003030	S.REG S-812C25AUA-C2FT2G	B	126.2/38.2
IC2201	1110006580	S.IC AD8007AKSZ	T	121.6/42
IC2301	1190002031	S.IC AD7650ASTZ	B	118.5/53
IC2302	1130006891	S.IC TC7S04FU (TE85R,F)	B	125.4/52.5
IC2351	1130008041	S.IC TC7S04FU (TE85L,JF)	B	125.3/49.8
IC2402	1110006411	S.IC R3111N111A-TR-F	T	105.8/61.8
IC2403	1140012221	S.IC TM5320C6711DZDP200	B	119.5/76.5
IC2404	1130013730	S.IC AT49BV040B-TU (RX-2844E)	T	98/76.7
IC2451	1130011930	S.IC SN74LVC1G04DCKR	T	132/59.6
IC2452	1130011930	S.IC SN74LVC1G04DCKR	T	132.1/55.4
IC3101	1140007881	S.IC TC190G08EFG0046JDZ/SC1246A	T	33/35.5
IC3131	1130006891	S.IC TC7S04FU (TE85R,F)	T	40.7/24.4
IC3221	1110003201	S.IC TA31136FNG (EL)	T	10.1/41
IC3222	1120002830	S.IC NJM2125F-TE1-#FZZB	T	18.7/48.6
IC3251	1130012850	S.IC SN74LVC3G34DCUR	T	40/95
IC3271	1110005610	S.IC NJM2058V-TE1-#ZZZB	B	13/71.1
IC3321	1130013110	S.IC KIC7W53FK-RTK/P	B	84.1/17.1
IC3322	1130013110	S.IC KIC7W53FK-RTK/P	B	92.5/17.1
IC3323	1130013110	S.IC KIC7W53FK-RTK/P	B	76.9/17.1
IC3324	1130013370	S.IC HD74LV2GT34AUSE-E	T	35.5/22
Q201	1590003520	S.TR BCR108T except [FRA], [AUS], [CHN]	B	68/37.1
	1590003940	S.TR RN1105 (TE85L,F) [FRA], [AUS], [CHN]	B	68/37.1
Q1001	1590003520	S.TR BCR108T except [FRA], [AUS], [CHN]	B	90.2/56.5
	1590003940	S.TR RN1105 (TE85L,F) [FRA], [AUS], [CHN]	B	90.2/56.5
Q3141	1590003520	S.TR BCR108T except [FRA], [AUS], [CHN]	B	23.3/34.7
	1590003940	S.TR RN1105 (TE85L,F) [FRA], [AUS], [CHN]	B	23.3/34.7
Q3321	1590003520	S.TR BCR108T except [FRA], [AUS], [CHN]	B	81.6/18.5
	1590003940	S.TR RN1105 (TE85L,F) [FRA], [AUS], [CHN]	B	81.6/18.5
Q3322	1590003520	S.TR BCR108T except [FRA], [AUS], [CHN]	B	90/18.5
Q3322	1590003940	S.TR RN1105 (TE85L,F) [FRA], [AUS], [CHN] only	B	90/18.5
Q3323	1590003520	S.TR BCR108T except [FRA], [AUS], [CHN]	B	74.4/18.5
Q3323	1590003940	S.TR RN1105 (TE85L,F) [FRA], [AUS], [CHN] only	B	74.4/18.5
D1602	1710000840	S.DIO 1SR154-400 TE25	B	59.2/95
D2001	1710000840	S.DIO 1SR154-400 TE25	B	115.5/95.3
FI1001	2040000790	S.LC EXCCET103U	B	90.5/73.3
FI2401	2040000790	S.LC EXCCET103U	B	127.5/59.2
FI3201	2020001810	S.CER SFECV10M7FA00-R0 (SFEVCV10.7MA5S)	T	11/27.7
FI3221	2020002250	CER LT450EW <JJE>	T	
X1001	6050011660	S.XTL CR-754 (30.000 MHz)	B	94.3/60.7
L201	6200001831	S.COL NLV32T-100J	B	62.8/43.7
L301	6200003711	S.COL NLV25T-2R7J	B	68.1/22.3
L302	6200002981	S.COL NLV32T-R56J	B	73.7/26.2
L303	6200003041	S.COL NLV32T-R68J	B	72.7/31.3
L304	6200003051	S.COL NLV32T-R82J	B	70.7/37.6
L1001	6180003501	S.COL SLF6028T-100M1R3-PF	T	71.8/95
L2301	6200001831	S.COL NLV32T-100J	T	109.9/56.2
L2302	6200001831	S.COL NLV32T-100J	T	114.6/45.4
L2481	6180003501	S.COL SLF6028T-100M1R3-PF	T	124.5/94
L2482	6200001831	S.COL NLV32T-100J	B	99.3/58.8
L1301	6200001831	S.COL NLV32T-100J	B	29.1/25.5
L13151	6200003091	S.COL NLV32T-2R7J	B	20.7/50
L13152	6200003061	S.COL NLV32T-1R2J	B	21.6/38
L13153	6200003061	S.COL NLV32T-1R2J	B	19.8/34.6
L3201	6200010970	S.COL C2520C-1R8G-A (1.8U)	T	11/21.8
L3221	6200002041	S.COL NLV25T-101J	T	17.3/39.8

[MAIN UNIT]

REF NO.	ORDER NO.	DESCRIPTION	M.	H/V LOCATION
L3222	6200003151	S.COL NLV32T-180J	T	9.2/33.5
R1	7030003370	S.RES ERJ3GEYJ 271 V (270)	B	53.2/17.5
R2	7030003370	S.RES ERJ3GEYJ 180 V (18)	B	53.8/19.4
R3	7030003370	S.RES ERJ3GEYJ 271 V (270)	B	54.6/17.5
R21	7030003860	S.RES ERJ3GE JPW V	T	103.6/26.6
R41	7030003860	S.RES ERJ3GE JPW V	B	89.7/9.4
R42	7030003860	S.RES ERJ3GE JPW V	B	85.8/9.3
R61	7030003320	S.RES ERJ3GEYJ 101 V (100)	T	110.7/93.1
R62	7030003320	S.RES ERJ3GEYJ 101 V (100)	T	110.7/91.8
R63	7030003320	S.RES ERJ3GEYJ 101 V (100)	T	108/91.2
R64	7030003320	S.RES ERJ3GEYJ 101 V (100)	T	106.7/91.2
R65	7030003320	S.RES ERJ3GEYJ 101 V (100)	T	105.4/91.2
R66	7030003320	S.RES ERJ3GEYJ 101 V (100)	T	104.1/91.2
R67	7030003320	S.RES ERJ3GEYJ 101 V (100)	T	102.8/91.2
R68	7030003320	S.RES ERJ3GEYJ 101 V (100)	T	101.5/91.2
R69	7030003320	S.RES ERJ3GEYJ 101 V (100)	T	100.2/91.2
R70	7030003320	S.RES ERJ3GEYJ 101 V (100)	T	98.9/91.2
R71	7030003320	S.RES ERJ3GEYJ 101 V (100)	T	97.6/91.2
R72	7030003320	S.RES ERJ3GEYJ 101 V (100)	T	96.3/91.2
R73	7030003320	S.RES ERJ3GEYJ 101 V (100)	T	95/91.2
R74	7030003860	S.RES ERJ3GE JPW V	T	93.7/91.2
R75	7030003320	S.RES ERJ3GEYJ 101 V (100)	B	108.8/96.3
R76	7030003320	S.RES ERJ3GEYJ 101 V (100)	B	107.5/96.3
R77	7030003320	S.RES ERJ3GEYJ 101 V (100)	B	106.2/96.3
R78	7030003320	S.RES ERJ3GEYJ 101 V (100)	B	104.9/96.3
R79	7030003320	S.RES ERJ3GEYJ 101 V (100)	B	103.6/96.3
R80	7030003320	S.RES ERJ3GEYJ 101 V (100)	B	102.3/96.3
R81	7030003320	S.RES ERJ3GEYJ 101 V (100)	B	101/96.3
R82	7030003320	S.RES ERJ3GEYJ 101 V (100)	B	99.7/96.3
R83	7030003320	S.RES ERJ3GEYJ 101 V (100)	B	98.4/96.3
R84	7030003320	S.RES ERJ3GEYJ 101 V (100)	B	97.1/96.3
R85	7030003320	S.RES ERJ3GEYJ 101 V (100)	B	95.8/96.3
R86	7030003860	S.RES ERJ3GE JPW V	B	94.5/96.3
R87	7030003860	S.RES ERJ3GE JPW V	B	93.2/96.3
R91	7030003860	S.RES ERJ3GE JPW V	T	117.5/38.5
R201	7030003320	S.RES ERJ3GEYJ 101 V (100)	B	48.1/36.6
R202	7030003800	S.RES ERJ3GEYJ 105 V (1 M)	B	52.3/44.2
R203	7030003440	S.RES ERJ3GEYJ 102 V (1 k)	B	65.4/35.7
R204	7030003360	S.RES ERJ3GEYJ 221 V (220)	B	57.9/43.5
R205	7030003440	S.RES ERJ3GEYJ 102 V (1 k)	B	56.6/43.5
R206	7030003440	S.RES ERJ3GEYJ 102 V (1 k)	B	55.3/43.5
R207	7030003520	S.RES ERJ3GEYJ 472 V (4.7 k)	B	64.7/33.1
R208	7030007220	S.RES ERA3YED 202V (2 k)	T	51.7/20.8
R209	7030007220	S.RES ERA3YED 202V (2 k)	T	51.7/23.4
R210	7030007220	S.RES ERA3YED 202V (2 k)	T	53/23.4
R211	7030007230	S.RES ERA3YED 102V (1 k)	T	53/20.8
R212	7030007220	S.RES ERA3YED 202V (2 k)	T	54.3/23.4
R213	7030007230	S.RES ERA3YED 102V (1 k)	T	54.3/20.8
R214	7030007220	S.RES ERA3YED 202V (2 k)	T	55.6/23.4
R215	7030007230	S.RES ERA3YED 102V (1 k)	T	55.6/20.8
R216	7030007220	S.RES ERA3YED 202V (2 k)	T	56.9/23.4
R217	7030007230	S.RES ERA3YED 102V (1 k)	T	56.9/20.8
R218	7030007220	S.RES ERA3YED 202V (2 k)	T	58.2/23.4
R219	7030007230	S.RES ERA3YED 102V (1 k)	T	58.2/20.8
R220	7030007220	S.RES ERA3YED 202V (2 k)	T	59.5/23.4
R221	7030007230	S.RES ERA3YED 102V (1 k)	T	59.5/20.8
R222	7030007200	S.RES ERA3YEB 202V (2 k)	T	60.8/23.4
R223	7030007210	S.RES ERA3YEB 102V (1 k)	T	60.8/20.8
R224	7030007200	S.RES ERA3YEB 202V (2 k)	T	62.1/23.4
R225	7030007210	S.RES ERA3YEB 102V (1 k)	T	62.1/20.8
R226	7030007200	S.RES ERA3YEB 202V (2 k)	T	63.4/23.4
R227	7030007210	S.RES ERA3YEB 102V (1 k)	T	63.4/20.8
R228	7030007200	S.RES ERA3YEB 202V (2 k)	T	64.7/23.4
R229	7030007210	S.RES ERA3YEB 102V (1 k)	T	64.7/20.8
R230	7030007200	S.RES ERA3YEB 202V (2 k)	T	66/23.4
R231	7030007210	S.RES ERA3YEB 102V (1 k)	T	66/20.8
R301	7030003370	S.RES ERJ3GEYJ 271 V (270)	B	72.7/40.7
R302	7030003320	S.RES ERJ3GEYJ 180 V (18)	B	73.9/40.6
R303	7030003370	S.RES ERJ3GEYJ 271 V (270)	B	73.2/42.6
R1001	7030003320	S.RES ERJ3GEYJ 101 V (100)	T	90.7/57.9
R1002	7030003800	S.RES ERJ3GEYJ 105 V (1 M)	T	94.9/60.4
R1003	7030003320	S.RES ERJ3GEYJ 101 V (100)	T	90.5/61.3
R1006	7030003560	S.RES ERJ3GEYJ 103 V (10 k)	T	82.6/80.6
R1007	7030003560	S.RES ERJ3GEYJ 103 V (10 k)	T	89.2/83.5
R1008	7030003440	S.RES ERJ3GEYJ 102 V (1 k)	T	85.5/90.4
R1009	7030003640	S.RES ERJ3GEYJ 473 V (47 k)	B	84.4/91.2
R1010	7030003860	S.RES ERJ3GE JPW V	T	79.3/89.9
R1011	7030003560	S.RES ERJ3GEYJ 103 V (10 k)	T	82.6/78
R1012	7030003560	S.RES ERJ3GEYJ 103 V (10 k)	T	72.7/69.5
R1013	7030003560	S.RES ERJ3GEYJ 103 V (10 k)	T	70.6/61.6
R1014	7030003560	S.RES ERJ3GEYJ 103 V (10 k)	T	74/69.5
R1015	7030003560	S.RES ERJ3GEYJ 103 V (10 k)	T	83.1/61.6
R1100	7030004040	S.RES ERJ3GEYJ 4R7 V (4.7)	T	53.1/57.9
R1101	7030003520	S.RES ERJ3GEYJ 472 V (4.7 k)	T	67.6/57.1
R1104	7030003520	S.RES ERJ3GEYJ 472 V (4.7 k)	T	67.5/55.2
R1303	7030003640	S.RES ERJ3GEYJ 473 V (47 k)	B	104.4/16.6
R1304	7030009591	S.RES ERA3YED 472V (4.7 k)	B	103.4/13.2
R1305	7030009591	S.RES ERA3YED 472V (4.7 k)	B	110.4/14.1
R1306	7030003320	S.RES ERJ3GEYJ 101 V (100)	B	106.6/13.6
R1307	7030003320	S.RES ERJ3GEYJ 101 V (100)	B	112.4/7
R1308	7030003860	S.RES ERJ3GE JPW V	B	110.4/16.2
R1309	7030006601	S.RES ERA3YED 272V (2.7 k)	B	96.4/24.2
R1310	7030006601	S.RES ERA3YED 272V (2.7 k)	B	107.7/24.6
R1311	7030009591	S.RES ERA3YED 472V (4.7 k)	B	117.2/25.2
R1312	7030009591	S.RES ERA3YED 472V (4.7 k)	B	116/22.4
R1313	7030010390	S.RES ERA3YED 821V (820)	B	96.4/26.9
R1314	7030010390	S.RES ERA3YED 821V (820)	B	107.7/27.3
R1315	7030003320	S.RES ERJ3GEYJ 101 V (100)	B	99.4/21
R1316	7030003320	S.RES ERJ3GEYJ 101 V (100)	B	110.6/21.1
R1317	7030003320	S.RES ERJ3GEYJ 101 V (100)	B	105.9/27.4
R1318	7030003320	S.RES ERJ3GEYJ 101 V (100)	B	117.2/27.

[MAIN UNIT]

REF NO.	ORDER NO.	DESCRIPTION	M.	H/V LOCATION
R1320	7030009691	S.RES ERA3YED 101V (100)	B	107.7/30.1
R1331	7030005871	S.RES ERA3YKD 104V (100 k)	B	115.8/15.7
R1332	7030005871	S.RES ERA3YKD 104V (100 k)	B	118.2/15.7
R1333	7030005321	S.RES ERA3YED 103V (10 k)	B	120.9/19.7
R1334	7030009691	S.RES ERA3YED 101V (100)	B	122.1/19.7
R1335	7030005631	S.RES ERA3YKD 154V (150 k)	B	128.6/16
R1336	7030005681	S.RES ERA3YKD 473V (47 k)	B	128.6/18.4
R1337	7030005871	S.RES ERA3YKD 104V (100 k)	B	128.6/14.8
R1338	7030005871	S.RES ERA3YKD 104V (100 k)	B	124.6/19.7
R1339	7030009691	S.RES ERA3YED 101V (100)	B	123.4/19.7
R1340	7030003320	S.RES ERJ3GEYJ 101 V (100)	B	128.6/13.6
R1341	7030003320	S.RES ERJ3GEYJ 101 V (100)	B	116.9/18.6
R1351	7030003200	S.RES ERJ3GEYJ 100 V (10)	B	94.5/42.3
R1352	7030003640	S.RES ERJ3GEYJ 473 V (47 k)	B	96/46.6
R1353	7030003640	S.RES ERJ3GEYJ 473 V (47 k)	B	96/47.8
R1354	7030003460	S.RES ERJ3GEYJ 152 V (1.5 k)	B	98.3/53.1
R1355	7030003640	S.RES ERJ3GEYJ 473 V (47 k)	B	96/40.2
R1356	7030003320	S.RES ERJ3GEYJ 101 V (100)	B	96/45.3
R1359	7030003640	S.RES ERJ3GEYJ 473 V (47 k)	B	112/45.7
R1360	7030003640	S.RES ERJ3GEYJ 473 V (47 k)	B	110.5/45.7
R1361	7030003640	S.RES ERJ3GEYJ 473 V (47 k)	B	110.6/48.3
R1362	7030003800	S.RES ERJ3GEYJ 105 V (1 M)	B	73.3/46.2
R1401	7030003320	S.RES ERJ3GEYJ 101 V (100)	B	76.8/48.8
R1402	7030003860	S.RES ERJ3GE JPW V	B	74.3/48.9
R1421	7030009591	S.RES ERA3YED 472V (4.7 k)	B	78.9/42.4
R1422	7030009961	S.RES ERA3YED 221V (220)	B	77.5/36.9
R1423	7030009591	S.RES ERA3YED 472V (4.7 k)	B	77.5/42.4
R1424	7030009591	S.RES ERA3YED 472V (4.7 k)	B	76.2/42.3
R1425	7030009961	S.RES ERA3YED 221V (220)	B	76.2/36.9
R1426	7030009591	S.RES ERA3YED 472V (4.7 k)	B	78.9/36.9
R1431	7030003320	S.RES ERJ3GEYJ 101 V (100)	T	76.2/29.5
R1433	7030003320	S.RES ERJ3GEYJ 101 V (100)	T	83.5/30.2
R1441	7030009691	S.RES ERA3YED 101V (100)	B	78.9/26.5
R1451	7030005321	S.RES ERA3YED 103V (10 k)	B	83.5/42.2
R1452	7030007661	S.RES ERA3YED 331V (330)	B	82.1/38.3
R1453	7030005321	S.RES ERA3YED 103V (10 k)	B	82/42.2
R1454	7030005341	S.RES ERA3YED 332V (3.3 k)	B	80.8/40
R1455	7030007661	S.RES ERA3YED 331V (330)	B	80.8/37.1
R1456	7030005341	S.RES ERA3YED 332V (3.3 k)	B	83.5/38.3
R1457	7030006461	S.RES ERA3YED 152V (1.5 k)	T	75.7/43.5
R1458	7030006521	S.RES ERA3YED 561V (560)	T	75.7/40.9
R1471	7030009591	S.RES ERA3YED 472V (4.7 k)	B	89.5/43.5
R1472	7030009961	S.RES ERA3YED 221V (220)	B	91.1/37.8
R1473	7030009591	S.RES ERA3YED 472V (4.7 k)	B	90.8/43.5
R1474	7030009591	S.RES ERA3YED 472V (4.7 k)	B	92.1/42.3
R1475	7030009961	S.RES ERA3YED 221V (220)	B	92.4/37.8
R1476	7030009591	S.RES ERA3YED 472V (4.7 k)	B	89.8/37.8
R1477	7030009691	S.RES ERA3YED 101V (100)	B	90.8/25.8
R1478	7030003320	S.RES ERJ3GEYJ 101 V (100)	T	86.1/30.2
R1479	7030003320	S.RES ERJ3GEYJ 101 V (100)	T	92.1/22.9
R1491	7030005321	S.RES ERA3YED 103V (10 k)	B	87.8/42.2
R1492	7030009961	S.RES ERA3YED 221V (220)	B	86.6/37.8
R1493	7030005321	S.RES ERA3YED 103V (10 k)	B	86.4/42.2
R1494	7030008061	S.RES ERA3YED 222V (2.2 k)	B	85.2/42.2
R1495	7030009961	S.RES ERA3YED 221V (220)	B	85.4/37.8
R1496	7030008061	S.RES ERA3YED 222V (2.2 k)	B	87.8/37.8
R1497	7030009691	S.RES ERA3YED 101V (100)	B	88.2/25.8
R1601	7030003600	S.RES ERJ3GEYJ 223 V (22 k)	B	68.4/97.8
R2001	7030003600	S.RES ERJ3GEYJ 223 V (22 k)	B	124.8/98
R2102	7030003860	S.RES ERJ3GE JPW V	T	98.7/63.2
R2201	7030003200	S.RES ERJ3GEYJ 100 V (10)	T	120/38.8
R2202	7030003200	S.RES ERJ3GEYJ 100 V (10)	T	124.2/41.1
R2203	7030010600	S.RES ERA3YHD 150V (15)	B	119.3/44.5
R2204	7030006521	S.RES ERA3YED 561V (560)	B	120.1/42.3
R2205	7030008061	S.RES ERA3YED 222V (2.2 k)	T	118.3/40.4
R2206	7030005451	S.RES ERA3YED 153V (15 k)	T	118.8/41.7
R2207	7030005321	S.RES ERA3YED 103V (10 k)	T	118.8/42.9
R2301	7030003560	S.RES ERJ3GEYJ 103 V (10 k)	B	112.6/55
R2302	7030003320	S.RES ERJ3GEYJ 101 V (100)	T	118.5/53
R2303	7030003560	S.RES ERJ3GEYJ 103 V (10 k)	B	113.4/58.3
R2304	7030003560	S.RES ERJ3GEYJ 103 V (10 k)	B	117.1/60.6
R2305	7030003560	S.RES ERJ3GEYJ 103 V (10 k)	B	113.4/57
R2306	7030003560	S.RES ERJ3GEYJ 103 V (10 k)	B	117.1/59.3
R2307	7030003320	S.RES ERJ3GEYJ 101 V (100)	B	125.3/55.7
R2401	7030003280	S.RES ERJ3GEYJ 470 V (47 k)	T	125.1/61.5
R2402	7030003560	S.RES ERJ3GEYJ 103 V (10 k)	T	123.5/69.4
R2403	7030003280	S.RES ERJ3GEYJ 470 V (47 k)	T	122.5/61.5
R2404	7030003560	S.RES ERJ3GEYJ 103 V (10 k)	T	127.8/61.5
R2405	7030003560	S.RES ERJ3GEYJ 103 V (10 k)	T	118.1/69.9
R2406	7030003560	S.RES ERJ3GEYJ 103 V (10 k)	B	105/70.5
R2408	7030003560	S.RES ERJ3GEYJ 103 V (10 k)	T	115.7/69.4
R2409	7030003860	S.RES ERJ3GE JPW V	T	122.7/88.9
R2410	7030003560	S.RES ERJ3GEYJ 103 V (10 k)	T	115.3/62.8
R2411	7030003440	S.RES ERJ3GEYJ 102 V (1 k)	T	129/88.9
R2412	7030003440	S.RES ERJ3GEYJ 102 V (1 k)	T	129.4/90.2
R2413	7030003440	S.RES ERJ3GEYJ 102 V (1 k)	T	134.5/84.1
R2414	7030003440	S.RES ERJ3GEYJ 102 V (1 k)	T	126.6/81.8
R2415	7030003440	S.RES ERJ3GEYJ 102 V (1 k)	T	126.6/77.9
R2416	7030003560	S.RES ERJ3GEYJ 103 V (10 k)	T	105.7/83.3
R2417	7030003560	S.RES ERJ3GEYJ 103 V (10 k)	T	105.7/86.8
R2418	7030003520	S.RES ERJ3GEYJ 472 V (4.7 k)	T	126.5/74
R2419	7030003520	S.RES ERJ3GEYJ 472 V (4.7 k)	T	133.2/73.7
R2420	7030003440	S.RES ERJ3GEYJ 102 V (1 k)	T	134.5/65
R2421	7030003860	S.RES ERJ3GE JPW V	T	131.1/61.5
R2422	7030004040	S.RES ERJ3GEYJ 4R7 V (4.7)	T	128.7/37
R2451	7030004040	S.RES ERJ3GEYJ 4R7 V (4.7)	T	129.8/58.1
R2452	7030003800	S.RES ERJ3GEYJ 105 V (1 M)	T	134.4/58.6
R2453	7030004040	S.RES ERJ3GEYJ 4R7 V (4.7)	T	129.8/54.6
R2454	7030003320	S.RES ERJ3GEYJ 101 V (100)	T	134.4/55.3
R3097	7030007200	S.RES ERA3YEB 202V (2 k)	T	25.8/46.5
R3098	7030007210	S.RES ERA3YEB 102V (1 k)	T	25.8/49.1
R3099	7030007200	S.RES ERA3YEB 202V (2 k)	T	27.1/46.5
R3100	7030007210	S.RES ERA3YEB 102V (1 k)	T	27.1/49.1
R3101	7030007200	S.RES ERA3YEB 202V (2 k)	T	28.4/46.5

[MAIN UNIT]

REF NO.	ORDER NO.	DESCRIPTION	M.	H/V LOCATION
R3102	7030007210	S.RES ERA3YEB 102V (1 k)	T	28.4/49.1
R3103	7030007200	S.RES ERA3YEB 202V (2 k)	T	29.7/46.5
R3104	7030007210	S.RES ERA3YEB 102V (1 k)	T	29.7/49.1
R3105	7030007200	S.RES ERA3YEB 202V (2 k)	T	31/46.5
R3106	7030007210	S.RES ERA3YEB 102V (1 k)	T	31/49.1
R3107	7030007220	S.RES ERA3YED 202V (2 k)	T	32.3/46.5
R3108	7030007230	S.RES ERA3YED 102V (1 k)	T	32.3/49.1
R3109	7030007220	S.RES ERA3YED 202V (2 k)	T	33.6/46.5
R3110	7030007230	S.RES ERA3YED 102V (1 k)	T	33.6/49.1
R3111	7030007220	S.RES ERA3YED 202V (2 k)	T	34.9/46.5
R3112	7030007230	S.RES ERA3YED 102V (1 k)	T	34.9/49.1
R3113	7030007220	S.RES ERA3YED 202V (2 k)	T	36.2/46.5
R3114	7030007230	S.RES ERA3YED 102V (1 k)	T	36.2/49.1
R3115	7030007220	S.RES ERA3YED 202V (2 k)	T	37.5/46.5
R3116	7030007230	S.RES ERA3YED 102V (1 k)	T	37.5/49.1
R3117	7030007220	S.RES ERA3YED 202V (2 k)	T	38.8/46.5
R3118	7030007230	S.RES ERA3YED 102V (1 k)	T	38.8/49.1
R3119	7030007220	S.RES ERA3YED 202V (2 k)	T	40.1/46.5
R3120	7030007220	S.RES ERA3YED 202V (2 k)	T	40.1/49.1
R3121	7030003520	S.RES ERJ3GEYJ 472 V (4.7 k)	B	25.7/34.3
R3131	7030003800	S.RES ERJ3GEYJ 105 V (1 M)	B	39.9/33.4
R3132	7030003320	S.RES ERJ3GEYJ 101 V (100)	B	44.4/32
R3141	7030003440	S.RES ERJ3GEYJ 102 V (1 k)	B	24.9/36.2
R3142	7030003360	S.RES ERJ3GEYJ 221 V (220)	B	37.9/27.2
R3143	7030003440	S.RES ERJ3GEYJ 102 V (1 k)	B	39.4/26.4
R3144	7030003440	S.RES ERJ3GEYJ 102 V (1 k)	B	36.3/26.4
R3151	7030003370	S.RES ERJ3GEYJ 271 V (270)	B	19.8/46.5
R3152	7030003230	S.RES ERJ3GEYJ 180 V (18)	B	17.7/45.8
R3153	7030003370	S.RES ERJ3GEYJ 271 V (270)	B	19.8/45.1
R3201	7030003370	S.RES ERJ3GEYJ 271 V (270)	T	9.1/17.4
R3202	7030003320	S.RES ERJ3GEYJ 180 V (18)	T	11/18.2
R3203	7030003370	S.RES ERJ3GEYJ 271 V (270)	T	9.1/18.9
R3221	7030003280	S.RES ERJ3GEYJ 470 V (47 k)	B	13/34.4
R3222	7030003440	S.RES ERJ3GEYJ 102 V (1 k)	T	15.4/40.1
R3227	7030003860	S.RES ERJ3GE JPW V	T	19.7/54.1
R3228	7030003320	S.RES ERJ3GEYJ 101 V (100)	T	17.5/58.8
R3229	7030003440	S.RES ERJ3GEYJ 102 V (1 k)	T	19.7/56.9
R3231	7030003650	S.RES ERJ3GEYJ 563 V (56 k)	T	21.1/48.6
R3232	7030003860	S.RES ERJ3GE JPW V	T	16.4/46.7
R3233	7030003360	S.RES ERJ3GEYJ 221 V (220)	T	20.5/51.1
R3251	7030003640	S.RES ERJ3GEYJ 473 V (47 k)	T	44.9/79
R3252	7030003680	S.RES ERJ3GEYJ 104 V (100 k)	T	44.9/82.4
R3253	7030003680	S.RES ERJ3GEYJ 104 V (100 k)	T	44.9/80.8
R3254	7030003680	S.RES ERJ3GEYJ 104 V (100 k)	T	44.9/75.4
R3255	7030003360	S.RES ERJ3GEYJ 221 V (220)	B	20/90
R3256	7030003360	S.RES ERJ3GEYJ 221 V (220)	B	21.3/90
R3257	7030003360	S.RES ERJ3GEYJ 221 V (220)	B	22.6/90
R3258	7030003360	S.RES ERJ3GEYJ 221 V (220)	B	23.9/90
R3259	7030003360	S.RES ERJ3GEYJ 221 V (220)	B	25.2/90
R3260	7030003360	S.RES ERJ3GEYJ 221 V (220)	B	26.5/90
R3261	7030003360	S.RES ERJ3GEYJ 221 V (220)	B	27.8/90
R3262	7030003360	S.RES ERJ3GEYJ 221 V (220)	B	29.1/90
R3263	7030003360	S.RES ERJ3GEYJ 221 V (220)	B	30.4/90
R3264	7030003360	S.RES ERJ3GEYJ 221 V (220)	B	31.7/90
R3265	7030003360	S.RES ERJ3GEYJ 221 V (220)	B	33/90
R3271	7030003320	S.RES ERJ3GEYJ 101 V (100)	B	15/66.3
R3272	7030003320	S.RES ERJ3GEYJ 101 V (100)	B	11.1/66.3
R3281	7030003860	S.RES ERJ3GE JPW V	B	25.2/75.2
R3282	7030003630	S.RES ERJ3GEYJ 393 V (39 k)	B	24.4/72.4
R3283	7030003580	S.RES ERJ3GEYJ 153 V (15 k)	B	17.1/75.9
R3284	7030003730	S.RES ERJ3GEYJ 274 V (270 k)	B	19.5/71.8
R3285	7030003730	S.RES ERJ3GEYJ 274 V (270 k)	B	17.8/73.8
R3291	7030003560	S.RES ERJ3GEYJ 103 V (10 k)	B	5.6/75.3
R3292	7030003650	S.RES ERJ3GEYJ 563 V (56 k)	B	6.9/75.3
R3293	7030003650	S.RES ERJ3GEYJ 563 V (56 k)	B	7.6/73.1
R3294	7030003520	S.RES ERJ3GEYJ 472 V (4.7 k)	B	7.6/71.8
R3295	7030003320	S.RES ERJ3GEYJ 101 V (100)	B	9.5/75.3
R3301	7030003560	S.RES ERJ3GEYJ 103 V (10 k)	B	5.6/67
R3302	7030003680	S.RES ERJ3GEYJ 104 V (100 k)	B	6.9/67
R3303	7030003860	S.RES ERJ3GE JPW V	B	7.6/69.2
R3304	7030003520	S.RES ERJ3GEYJ 472 V (4.7 k)	B	7.6/70.5
R3305	7030003320	S.RES ERJ3GEYJ 101 V (100)	B	9.5/67
R3311	7030003560	S.RES ERJ3GEYJ 103 V (10 k)	B	20.6/65.9
R3312	7030003560	S.RES ERJ3GEYJ 103 V (10 k)	B	19.1/67
R3313	7030003860	S.RES ERJ3GE JPW V	B	18.

[MAIN UNIT]

REF NO.	ORDER NO.	DESCRIPTION	M.	H/V LOCATION
C201	4030011600	S.CER C1608 JB 1E 104K-T	T	59.6/47.4
C202	4030006880	S.CER C1608 JB 1H 472K-T	B	51.6/41.7
C203	4510008540	S.ELE EEE1CA100SR	T	63.7/48.3
C204	4030011600	S.CER C1608 JB 1E 104K-T	T	66.2/45.3
C205	4030011600	S.CER C1608 JB 1E 104K-T	T	50.7/43.8
C206	4030006880	S.CER C1608 JB 1H 472K-T	T	66.2/44
C207	4030011600	S.CER C1608 JB 1E 104K-T	T	50.7/41.2
C208	4030011600	S.CER C1608 JB 1E 104K-T	T	49.4/37
C209	4030011600	S.CER C1608 JB 1E 104K-T	T	49.4/34.4
C210	4030011600	S.CER C1608 JB 1E 104K-T	T	49.8/29.1
C211	4030011600	S.CER C1608 JB 1E 104K-T	B	53/28.8
C212	4030011600	S.CER C1608 JB 1E 104K-T	B	55.7/28.8
C213	4030011600	S.CER C1608 JB 1E 104K-T	B	61.4/27.9
C214	4030011600	S.CER C1608 JB 1E 104K-T	T	66.8/26.3
C215	4030011600	S.CER C1608 JB 1E 104K-T	B	64.8/28.6
C216	4030011600	S.CER C1608 JB 1E 104K-T	B	67.4/32.4
C217	4030011600	S.CER C1608 JB 1E 104K-T	B	67.4/34
C218	4030011600	S.CER C1608 JB 1E 104K-T	B	65.4/37.9
C219	4030011600	S.CER C1608 JB 1E 104K-T	T	67.1/42
C220	4030011600	S.CER C1608 JB 1E 104K-T	T	64.1/44.3
C221	4030011600	S.CER C1608 JB 1E 104K-T	T	61.3/44.1
C222	4030011600	S.CER C1608 JB 1E 104K-T	T	58.1/43.6
C301	4030007100	S.CER C1608 CH 1H 560J-T	T	67.6/23.4
C302	4030007160	S.CER C1608 CH 1H 181J-T	B	68.5/24.2
C303	4030007140	S.CER C1608 CH 1H 121J-T	B	71.5/25.5
C304	4030011330	S.CER C1608 CH 1H 391J-T	B	71.5/28.3
C305	4030007080	S.CER C1608 CH 1H 390J-T	B	73.7/29.1
C306	4030011280	S.CER C1608 CH 1H 271J-T	B	70.9/33.5
C307	4030010760	S.CER C1608 CH 1H 331J-T	B	73.1/34.1
C308	4030018580	S.CER C1608 CH 1H 821J-T	B	70.9/34.8
C309	4030010760	S.CER C1608 CH 1H 331J-T	B	73.1/37.6
C1001	4030011600	S.CER C1608 JB 1E 104K-T	T	92.7/57.6
C1002	4030007030	S.CER C1608 CH 1H 150J-T	T	94.9/57.6
C1003	4510007130	S.ELE EEFCD 0J 470R	B	76.3/95
C1004	4030007030	S.CER C1608 CH 1H 150J-T	T	94.9/63.2
C1005	4510007130	S.ELE EEFCD 0J 470R	B	71.5/95
C1006	4030011600	S.CER C1608 JB 1E 104K-T	T	92.7/61.4
C1007	4030011600	S.CER C1608 JB 1E 104K-T	T	90.9/69.3
C1008	4510008540	S.ELE EEE1CA100SR	T	86.6/59.1
C1009	4030011600	S.CER C1608 JB 1E 104K-T	T	63.1/86.9
C1010	4030011600	S.CER C1608 JB 1E 104K-T	T	62.9/65.1
C1011	4030011600	S.CER C1608 JB 1E 104K-T	T	65.2/89
C1012	4030011600	S.CER C1608 JB 1E 104K-T	T	65.2/62.9
C1013	4030011600	S.CER C1608 JB 1E 104K-T	T	69.6/81.4
C1014	4030011600	S.CER C1608 JB 1E 104K-T	T	69.6/80.2
C1015	4030011600	S.CER C1608 JB 1E 104K-T	T	69.6/76.1
C1016	4030011600	S.CER C1608 JB 1E 104K-T	T	69.6/74.9
C1017	4030011600	S.CER C1608 JB 1E 104K-T	T	69.6/71.4
C1018	4030011600	S.CER C1608 JB 1E 104K-T	T	71.5/82.5
C1019	4030011600	S.CER C1608 JB 1E 104K-T	T	70.8/68.7
C1020	4030011600	S.CER C1608 JB 1E 104K-T	T	76.2/89.1
C1021	4030011600	S.CER C1608 JB 1E 104K-T	T	76.1/82.4
C1022	4030011600	S.CER C1608 JB 1E 104K-T	T	75.3/69.5
C1023	4030011600	S.CER C1608 JB 1E 104K-T	T	77.3/82.4
C1024	4030011600	S.CER C1608 JB 1E 104K-T	T	77.4/68.7
C1025	4030011600	S.CER C1608 JB 1E 104K-T	T	76.7/82.9
C1026	4030011600	S.CER C1608 JB 1E 104K-T	T	80.7/82.5
C1027	4030011600	S.CER C1608 JB 1E 104K-T	T	82.2/69.5
C1028	4030011600	S.CER C1608 JB 1E 104K-T	T	82.6/81.9
C1029	4030011600	S.CER C1608 JB 1E 104K-T	T	82.6/79.3
C1030	4030011600	S.CER C1608 JB 1E 104K-T	T	82.6/76.7
C1031	4030011600	S.CER C1608 JB 1E 104K-T	T	82.6/72.6
C1032	4030011600	S.CER C1608 JB 1E 104K-T	T	83.4/69.5
C1033	4030011600	S.CER C1608 JB 1E 104K-T	T	86.3/89.1
C1034	4030011600	S.CER C1608 JB 1E 104K-T	T	82.6/71.4
C1035	4030011600	S.CER C1608 JB 1E 104K-T	T	85.8/62.9
C1036	4030011600	S.CER C1608 JB 1E 104K-T	T	89.1/89.1
C1037	4030011600	S.CER C1608 JB 1E 104K-T	T	88.4/62.9
C1038	4030011600	S.CER C1608 JB 1E 104K-T	T	89.2/76.6
C1039	4030011600	S.CER C1608 JB 1E 104K-T	T	89.2/74
C1040	4030011600	S.CER C1608 JB 1E 104K-T	B	89.9/66
C1041	4030011600	S.CER C1608 JB 1E 104K-T	T	63.1/84.3
C1042	4030011600	S.CER C1608 JB 1E 104K-T	T	62.9/70.8
C1043	4030011600	S.CER C1608 JB 1E 104K-T	T	62.9/77.3
C1044	4030011600	S.CER C1608 JB 1E 104K-T	T	62.9/74
C1045	4030011600	S.CER C1608 JB 1E 104K-T	T	62.9/67.8
C1046	4030011600	S.CER C1608 JB 1E 104K-T	T	68/89
C1047	4030011600	S.CER C1608 JB 1E 104K-T	T	63.1/81.7
C1048	4030011600	S.CER C1608 JB 1E 104K-T	T	69.6/78.5
C1049	4030011600	S.CER C1608 JB 1E 104K-T	T	69.6/82.6
C1050	4030011600	S.CER C1608 JB 1E 104K-T	T	69.6/77.3
C1051	4030011600	S.CER C1608 JB 1E 104K-T	T	69.6/72.6
C1052	4030011600	S.CER C1608 JB 1E 104K-T	T	68.8/69.5
C1053	4030011600	S.CER C1608 JB 1E 104K-T	T	67.8/62.9
C1054	4030011600	S.CER C1608 JB 1E 104K-T	T	72.7/82.5
C1055	4030011600	S.CER C1608 JB 1E 104K-T	T	70.6/62.9
C1056	4030011600	S.CER C1608 JB 1E 104K-T	T	74.9/82.4
C1057	4030011600	S.CER C1608 JB 1E 104K-T	T	79.5/62.9
C1058	4030011600	S.CER C1608 JB 1E 104K-T	T	78.7/82.5
C1059	4030011600	S.CER C1608 JB 1E 104K-T	T	81/69.5
C1060	4030011600	S.CER C1608 JB 1E 104K-T	T	83.5/89.1
C1061	4030011600	S.CER C1608 JB 1E 104K-T	T	82.6/83.2
C1062	4030011600	S.CER C1608 JB 1E 104K-T	T	83.1/62.9
C1063	4030011600	S.CER C1608 JB 1E 104K-T	T	83.3/74.7
C1064	4030011600	S.CER C1608 JB 1E 104K-T	T	89.2/80.4
C1065	4030011600	S.CER C1608 JB 1E 104K-T	T	89.2/71.4
C1066	4030011600	S.CER C1608 JB 1E 104K-T	T	89.2/65.1
C1067	4030011600	S.CER C1608 JB 1E 104K-T	T	89.2/86.1
C1068	4510008540	S.ELE EEE1CA100SR	T	50.1/61
C1201	4030011600	S.CER C1608 JB 1E 104K-T	T	53/64.1
C1302	4030011600	S.CER C1608 JB 1E 104K-T	B	100.4/18.5
C1303	4030011600	S.CER C1608 JB 1E 104K-T	B	101.7/14.7
C1305	4510008540	S.ELE EEE1CA100SR	T	110/6.7
C1306	4030011600	S.CER C1608 JB 1E 104K-T	B	105.8/11.6

[MAIN UNIT]

REF NO.	ORDER NO.	DESCRIPTION	M.	H/V LOCATION
C1307	4030007050	S.CER C1608 CH 1H 220J-T	B	115.3/10.3
C1308	4510008540	S.ELE EEE1CA100SR	T	115/6.8
C1309	4030011600	S.CER C1608 JB 1E 104K-T	B	109.7/7
C1310	4550007090	S.TAN TEESVA 1A 226M8R	B	97.1/20.1
C1311	4550007090	S.TAN TEESVA 1A 226M8R	B	108.4/20.6
C1312	4510008540	S.ELE EEE1CA100SR	T	120/22.5
C1313	4030011600	S.CER C1608 JB 1E 104K-T	B	104.7/24.1
C1314	4030011600	S.CER C1608 JB 1E 104K-T	B	115.9/25.2
C1315	4030011600	S.CER C1608 JB 1E 104K-T	B	97.7/24.2
C1316	4030011600	S.CER C1608 JB 1E 104K-T	B	109/24.6
C1317	4030017810	S.CER C1608 CH 1H 102J-T	B	97.7/26.9
C1318	4510008540	S.ELE EEE1CA100SR	T	105/22.7
C1319	4030017810	S.CER C1608 CH 1H 102J-T	B	109/27.3
C1320	4510008540	S.ELE EEE1CA100SR	T	113.5/22.6
C1321	4030007050	S.CER C1608 CH 1H 220J-T	B	97.7/29.5
C1322	4030007050	S.CER C1608 CH 1H 220J-T	B	109/30.1
C1323	4510008540	S.ELE EEE1CA100SR	T	107.1/28.2
C1324	4510008540	S.ELE EEE1CA100SR	T	125.5/30.6
C1325	4030011600	S.CER C1608 JB 1E 104K-T	B	104.6/27.3
C1326	4030011600	S.CER C1608 JB 1E 104K-T	B	115.9/27.9
C1331	4030017490	S.CER C1608 JB 1A 105K-T	B	117/15.7
C1332	4030007090	S.CER C1608 CH 1H 470J-T	B	121.5/17.8
C1333	4030017490	S.CER C1608 JB 1A 105K-T	B	128.6/17.2
C1334	4030007090	S.CER C1608 CH 1H 470J-T	B	124.2/17.8
C1335	4030011600	S.CER C1608 JB 1E 104K-T	B	128.6/12.4
C1336	4510008540	S.ELE EEE1CA100SR	T	127/14
C1337	4030011600	S.CER C1608 JB 1E 104K-T	B	118.2/18.6
C1338	4510008540	S.ELE EEE1CA100SR	T	122/14
C1339	4030011600	S.CER C1608 JB 1E 104K-T	B	120.2/22.6
C1340	4030011600	S.CER C1608 JB 1E 104K-T	B	123.4/26
C1351	4030018620	S.CER C1608 CH 1H 222J-T	B	96.6/38
C1352	4510008540	S.ELE EEE1CA100SR	T	93/40.5
C1353	4030011600	S.CER C1608 JB 1E 104K-T	B	96.7/42.5
C1354	4510008540	S.ELE EEE1CA100SR	T	98.5/34
C1355	4510008540	S.ELE EEE1CA100SR	T	98.5/40.5
C1356	4030011810	S.CER C1608 JB 1A 224K-T	B	101.9/31.8
C1357	4030011810	S.CER C1608 JB 1A 224K-T	B	96.8/34.4
C1360	4030011810	S.CER C1608 JB 1A 224K-T	B	105.4/31.8
C1361	4030018620	S.CER C1608 CH 1H 222J-T	B	110/38.2
C1362	4030011810	S.CER C1608 JB 1A 224K-T	B	110.1/34.6
C1363	4510008540	S.ELE EEE1CA100SR	T	109/34
C1364	4510008540	S.ELE EEE1CA100SR	T	104/34
C1365	4030011600	S.CER C1608 JB 1E 104K-T	B	109.9/41.2
C1366	4510008540	S.ELE EEE1CA100SR	T	108.5/40.5
C1367	4030011600	S.CER C1608 JB 1E 104K-T	B	70.4/52.6
C1368	4030011600	S.CER C1608 JB 1E 104K-T	B	71.4/48.3
C1369	4030006860	S.CER C1608 JB 1H 102K-T	B	73.2/43.9
C1401	4510008540	S.ELE EEE1CA100SR	T	86.5/51.7
C1402	4030011600	S.CER C1608 JB 1E 104K-T	B	87.2/55.2
C1403	4030011600	S.CER C1608 JB 1E 104K-T	B	77.3/45.8
C1404	4030011600	S.CER C1608 JB 1E 104K-T	B	77.3/52.7
C1405	4510008540	S.ELE EEE1CA100SR	T	78.4/46.3
C1421	4030018640	S.CER C2012 CH 1H 103J-T	B	77.9/39
C1422	4030018610	S.CER C1608 CH 1H 182J-T	B	78.1/35.1
C1423	4030018620	S.CER C1608 CH 1H 222J-T	B	78.1/40.5
C1425	4030018610	S.CER C1608 CH 1H 182J-T	B	76.2/34.3
C1427	4030011600	S.CER C1608 JB 1E 104K-T	T	78.2/30.2
C1429	4510008540	S.ELE EEE1CA100SR	T	76.4/34
C1433	4510008540	S.ELE EEE1CA100SR	T	81.6/34
C1435	4030011600	S.CER C1608 JB 1E 104K-T	T	80.9/30.2
C1451	4030018620	S.CER C1608 CH 1H 222J-T	B	82.7/40.3
C1452	4030017870	S.CER C1608 CH 1H 681J-T	B	82.9/36.2
C1453	4030011600	S.CER C1608 JB 1E 104K-T	B	80.8/43.1
C1454	4510009050	S.ELE EEE0GA101SR	T	79.5/40.5
C1455	4030017870	S.CER C1608 CH 1H 681J-T	B	80.8/34.4
C1471	4030018640	S.CER C2012 CH 1H 103J-T	B	90.7/40.1
C1472	4030018610	S.CER C1608 CH 1H 182J-T	B	90.5/35.9
C1473	4030018620	S.CER C1608 CH 1H 222J-T	B	90.3/41.6
C1475	4030018610	S.CER C1608 CH 1H 182J-T	B	93.7/37.8
C1476	4030011600	S.CER C1608 JB 1E 104K-T	T	89.9/32.7
C1477	4510008540	S.ELE EEE1CA100SR	T	86.9/34
C1478	4030011600	S.CER C1608 JB 1E 104K-T	B	93.1/26.5
C1479	4510			

[MAIN UNIT]

REF NO.	ORDER NO.	DESCRIPTION	M.	H/V LOCATION
C2351	4030011600	S.CER C1608 JB 1E 104K-T	B	127.2/49.8
C2401	4030011600	S.CER C1608 JB 1E 104K-T	B	125.7/59.4
C2402	4510008540	S.ELE EEE1CA100SR	T	126/56.1
C2403	4030011600	S.CER C1608 JB 1E 104K-T	T	133.2/83.5
C2404	4030011600	S.CER C1608 JB 1E 104K-T	T	133.2/65
C2405	4030011600	S.CER C1608 JB 1E 104K-T	T	133.2/70.9
C2406	4030011600	S.CER C1608 JB 1E 104K-T	T	133.2/80.7
C2407	4030011600	S.CER C1608 JB 1E 104K-T	T	126.6/75.3
C2408	4030011600	S.CER C1608 JB 1E 104K-T	T	126.7/62.8
C2409	4030011600	S.CER C1608 JB 1E 104K-T	T	126.6/83.1
C2410	4030011600	S.CER C1608 JB 1E 104K-T	T	126.2/88.9
C2411	4030011600	S.CER C1608 JB 1E 104K-T	T	124.8/69.4
C2412	4030011600	S.CER C1608 JB 1E 104K-T	T	122.8/82.3
C2413	4030011600	S.CER C1608 JB 1E 104K-T	T	122.8/62.8
C2414	4030011600	S.CER C1608 JB 1E 104K-T	T	118.8/82.3
C2415	4030011600	S.CER C1608 JB 1E 104K-T	T	115.9/61.5
C2416	4030011600	S.CER C1608 JB 1E 104K-T	T	117/82.3
C2417	4030011600	S.CER C1608 JB 1E 104K-T	T	112/62.8
C2418	4030011600	S.CER C1608 JB 1E 104K-T	T	113.1/69.4
C2419	4030011600	S.CER C1608 JB 1E 104K-T	T	113.7/72.7
C2420	4030011600	S.CER C1608 JB 1E 104K-T	T	113.7/77.4
C2421	4030011600	S.CER C1608 JB 1E 104K-T	T	113.7/82.9
C2422	4030011600	S.CER C1608 JB 1E 104K-T	T	113.7/79
C2423	4030011600	S.CER C1608 JB 1E 104K-T	T	107/80.2
C2424	4030011600	S.CER C1608 JB 1E 104K-T	T	112.3/88.9
C2425	4030011600	S.CER C1608 JB 1E 104K-T	T	107/67.7
C2426	4030011600	S.CER C1608 JB 1E 104K-T	T	107/74.8
C2427	4030011600	S.CER C1608 JB 1E 104K-T	T	107/77.5
C2428	4030011600	S.CER C1608 JB 1E 104K-T	T	107/70.5
C2429	4030011600	S.CER C1608 JB 1E 104K-T	T	107/83.3
C2430	4030011600	S.CER C1608 JB 1E 104K-T	T	134.5/72.8
C2431	4030011600	S.CER C1608 JB 1E 104K-T	B	133.9/76
C2432	4030011600	S.CER C1608 JB 1E 104K-T	T	134.5/76.4
C2433	4030011600	S.CER C1608 JB 1E 104K-T	T	133.1/62.8
C2434	4030011600	S.CER C1608 JB 1E 104K-T	T	133.2/86.7
C2435	4030011600	S.CER C1608 JB 1E 104K-T	T	130.1/62.8
C2436	4030011600	S.CER C1608 JB 1E 104K-T	T	126.6/72.7
C2437	4030011600	S.CER C1608 JB 1E 104K-T	T	131.8/88.9
C2438	4030011600	S.CER C1608 JB 1E 104K-T	T	127.4/69.4
C2439	4030011600	S.CER C1608 JB 1E 104K-T	T	126.6/71.4
C2440	4030011600	S.CER C1608 JB 1E 104K-T	T	126.6/76.6
C2441	4030011600	S.CER C1608 JB 1E 104K-T	T	126.6/79.2
C2442	4030011600	S.CER C1608 JB 1E 104K-T	T	126.6/80.5
C2443	4030011600	S.CER C1608 JB 1E 104K-T	T	126.1/69.4
C2444	4030011600	S.CER C1608 JB 1E 104K-T	T	124.6/82.3
C2445	4030011600	S.CER C1608 JB 1E 104K-T	T	120.1/62.8
C2446	4030011600	S.CER C1608 JB 1E 104K-T	T	121.5/68.6
C2447	4030011600	S.CER C1608 JB 1E 104K-T	T	121.4/82.3
C2448	4030011600	S.CER C1608 JB 1E 104K-T	T	118.8/68.6
C2449	4030011600	S.CER C1608 JB 1E 104K-T	T	120.1/82.3
C2450	4030011600	S.CER C1608 JB 1E 104K-T	T	119.9/88.9
C2451	4030011600	S.CER C1608 JB 1E 104K-T	T	114.4/69.4
C2452	4030011600	S.CER C1608 JB 1E 104K-T	T	115.7/82.3
C2453	4030011600	S.CER C1608 JB 1E 104K-T	T	113.7/71.4
C2454	4030011600	S.CER C1608 JB 1E 104K-T	T	113.7/74.8
C2455	4030011600	S.CER C1608 JB 1E 104K-T	T	113.7/76.1
C2456	4030011600	S.CER C1608 JB 1E 104K-T	T	113.7/80.3
C2457	4030011600	S.CER C1608 JB 1E 104K-T	T	133.2/68.1
C2458	4030011600	S.CER C1608 JB 1E 104K-T	T	113.7/81.6
C2459	4030011600	S.CER C1608 JB 1E 104K-T	T	109.2/62.8
C2460	4030011600	S.CER C1608 JB 1E 104K-T	T	109.5/88.9
C2461	4030011600	S.CER C1608 JB 1E 104K-T	T	107/64.9
C2462	4030011600	S.CER C1608 JB 1E 104K-T	T	107/86.8
C2463	4030011600	S.CER C1608 JB 1E 104K-T	T	132.1/57.7
C2464	4030011600	S.CER C1608 JB 1E 104K-T	T	132.2/53.5
C2465	4030006900	S.CER C1608 JB 1H 103K-T	T	134.4/52.5
C2481	4550007310	S.TAN F930J227MNMBSMA	B	108/57.5
C2482	4550007310	S.TAN F930J227MNMBSMA	B	103.2/57.5
C2483	4550006960	S.TAN TEESVB2 0G 107M8R	T	119.6/94.3
C3101	4510008540	S.ELE EEE1CA100SR	T	28.1/21.6
C3102	4030011600	S.CER C1608 JB 1E 104K-T	T	25.6/25.9
C3103	4030006880	S.CER C1608 JB 1H 472K-T	T	25.6/24.7
C3104	4030011600	S.CER C1608 JB 1E 104K-T	T	42.3/29.7
C3105	4030011600	S.CER C1608 JB 1E 104K-T	T	42.3/33.2
C3106	4030011600	S.CER C1608 JB 1E 104K-T	T	42.3/35.8
C3107	4030011600	S.CER C1608 JB 1E 104K-T	T	42.3/40.7
C3108	4030011600	S.CER C1608 JB 1E 104K-T	T	40.1/43.6
C3109	4030011600	S.CER C1608 JB 1E 104K-T	B	36.7/42.9
C3110	4030011600	S.CER C1608 JB 1E 104K-T	B	29.7/42.8
C3111	4030011600	S.CER C1608 JB 1E 104K-T	T	24.9/44
C3112	4030011600	S.CER C1608 JB 1E 104K-T	B	27.4/41.2
C3113	4030011600	S.CER C1608 JB 1E 104K-T	B	25.7/38.3
C3114	4030011600	S.CER C1608 JB 1E 104K-T	B	27.6/36.2
C3115	4030011600	S.CER C1608 JB 1E 104K-T	B	27.3/32.7
C3116	4030011600	S.CER C1608 JB 1E 104K-T	T	24.9/27.9
C3117	4030011600	S.CER C1608 JB 1E 104K-T	T	28/25.5
C3118	4030011600	S.CER C1608 JB 1E 104K-T	T	30/25.5
C3119	4030011600	S.CER C1608 JB 1E 104K-T	T	34/26.3
C3131	4030011600	S.CER C1608 JB 1E 104K-T	T	40.7/26.6
C3132	4030006880	S.CER C1608 JB 1H 472K-T	B	41.4/32
C3141	4030011600	S.CER C1608 JB 1E 104K-T	T	32.3/22.6
C3151	4030006900	S.CER C1608 JB 1H 103K-T	T	24.5/47.3
C3153	4030007080	S.CER C1608 CH 1H 390J-T	B	23.6/47
C3154	4030010760	S.CER C1608 CH 1H 331J-T	B	19.8/47.8
C3155	4030007090	S.CER C1608 CH 1H 470J-T	B	17.7/43.1
C3156	4030007060	S.CER C1608 CH 1H 270J-T	B	19/43.1
C3157	4030011770	S.CER C1608 CH 1H 060B-T	B	18.5/41.1
C3158	4030007120	S.CER C1608 CH 1H 820J-T	B	18.5/39.8
C3159	4030007040	S.CER C1608 CH 1H 180J-T	B	17.7/37.3
C3160	4030007120	S.CER C1608 CH 1H 820J-T	B	19.8/30.5
C3161	4030011770	S.CER C1608 CH 1H 060B-T	B	19.8/31.8
C3162	4030007090	S.CER C1608 CH 1H 470J-T	B	16.9/34.9
C3163	4030007060	S.CER C1608 CH 1H 270J-T	B	16.9/33.6
C3201	4030007110	S.CER C1608 CH 1H 680J-T	T	8.4/25.6

[MAIN UNIT]

REF NO.	ORDER NO.	DESCRIPTION	M.	H/V LOCATION
C3202	4030007080	S.CER C1608 CH 1H 390J-T	T	7.2/25.6
C3221	4550006250	S.TAN TEESVA 1A 106M8R	T	19.6/39.2
C3222	4030007110	S.CER C1608 CH 1H 680J-T	T	12/32.8
C3223	4030007000	S.CER C1608 CH 1H 090D-T	T	9/37
C3224	4030006860	S.CER C1608 JB 1H 102K-T	T	7/36.4
C3225	4030006900	S.CER C1608 JB 1H 103K-T	B	13.8/36.4
C3226	4030006900	S.CER C1608 JB 1H 103K-T	B	9.1/44.4
C3227	4030006900	S.CER C1608 JB 1H 103K-T	B	12.1/50.3
C3228	4030011600	S.CER C1608 JB 1E 104K-T	T	11.8/37.6
C3229	4030011600	S.CER C1608 JB 1E 104K-T	T	12.3/44.5
C3230	4030006900	S.CER C1608 JB 1H 103K-T	T	5.5/40.6
C3231	4030011600	S.CER C1608 JB 1E 104K-T	T	17.5/57.5
C3232	4030006900	S.CER C1608 JB 1H 103K-T	T	21/56.9
C3233	4030007170	S.CER C1608 CH 1H 221J-T	T	18.7/45.9
C3234	4030011600	S.CER C1608 JB 1E 104K-T	T	16.4/49.5
C3251	4030011600	S.CER C1608 JB 1E 104K-T	T	40/93.1
C3252	4030007090	S.CER C1608 CH 1H 470J-T	B	22.3/47
C3255	4030007170	S.CER C1608 CH 1H 221J-T	B	20/86.7
C3256	4030007170	S.CER C1608 CH 1H 221J-T	B	21.3/86.7
C3257	4030007170	S.CER C1608 CH 1H 221J-T	B	22.6/86.7
C3258	4030007170	S.CER C1608 CH 1H 221J-T	B	23.9/86.7
C3259	4030007170	S.CER C1608 CH 1H 221J-T	B	25.2/86.7
C3260	4030007170	S.CER C1608 CH 1H 221J-T	B	26.5/86.7
C3261	4030007170	S.CER C1608 CH 1H 221J-T	B	27.8/86.7
C3262	4030007170	S.CER C1608 CH 1H 221J-T	B	29.1/86.7
C3263	4030007170	S.CER C1608 CH 1H 221J-T	B	30.4/86.7
C3264	4030007170	S.CER C1608 CH 1H 221J-T	B	31.7/86.7
C3265	4030007170	S.CER C1608 CH 1H 221J-T	B	33/86.7
C3271	4030011600	S.CER C1608 JB 1E 104K-T	B	13.7/66.3
C3272	4510008540	S.ELE EEE1CA100SR	T	13.3/60.5
C3273	4030011600	S.CER C1608 JB 1E 104K-T	B	12.4/66.3
C3274	4510008540	S.ELE EEE1CA100SR	T	8.5/60.5
C3281	4030018640	S.CER C2012 CH 1H 103J-T	B	22.9/74.2
C3282	4030018640	S.CER C2012 CH 1H 103J-T	B	21.1/74.2
C3283	4030018640	S.CER C2012 CH 1H 103J-T	B	19.4/74.2
C3291	4030018620	S.CER C1608 CH 1H 221J-T	B	4.3/75.3
C3293	4030007110	S.CER C1608 CH 1H 680J-T	B	8.5/75.3
C3303	4030007130	S.CER C1608 CH 1H 101J-T	B	8.2/67
C3313	4030007180	S.CER C1608 CH 1H 102J-T	B	17.8/67
C3321	4030011600	S.CER C1608 JB 1E 104K-T	B	86/17.7
C3322	4030011600	S.CER C1608 JB 1E 104K-T	B	83.1/14.1
C3323	4030011600	S.CER C1608 JB 1E 104K-T	B	94.4/17.7
C3324	4030011600	S.CER C1608 JB 1E 104K-T	B	91.5/14.2
C3325	4030011600	S.CER C1608 JB 1E 104K-T	B	78.8/17.7
C3326	4030011600	S.CER C1608 JB 1E 104K-T	B	76.6/13.6
J1	6510007020	CNR TMP-J01X-V6		
J21	6510018961	S.CNR B2B-PH-SM4-TB (LF) (SN)	T	99.4/26.4
J41	6510019981	S.CNR 52808-1671 (1690)	T	95/5
J61	6510021721	S.CNR 30FLT-SM2-TB (LF) (SN)	T	101.2/95.8
J91	6510018961	S.CNR B2B-PH-SM4-TB (LF) (SN)	T	117.7/31
J1101	6510019971	S.CNR 52808-1071	T	58.6/55.2
J2401	6510019971	S.CNR 52808-1071	T	133.9/40.7
J3201	6510007020	CNR TMP-J01X-V6		
J3251	6510025960	S.CNR AXN330C238P	T	38.7/77.4
J3252	6510021721	S.CNR 30FLT-SM2-TB (LF) (SN)	T	24.7/95.4
EP41	6910015970	S.BEA MMZ1608B 301CT-AS	T	99.7/9.1
EP42	6910014730	S.BEA MPZ2012S331A-T	T	104.4/9.3
EP43	6910015970	S.BEA MMZ1608B 301CT-AS	T	101.1/9.1
EP44	6910014730	S.BEA MPZ2012S331A-T	T	97/10.2
EP45	6910014730	S.BEA MPZ2012S331A-T	T	94.9/10.2
EP46	6910015970	S.BEA MMZ1608B 301CT-AS	T	92.1/9.6
EP1001	6910014730	S.BEA MPZ2012S331A-T	T	54.9/61
EP1351	6910014730	S.BEA MPZ2012S331A-T	T	94.3/51.4
EP3251	6910015970	S.BEA MMZ1608B 301CT-AS	T	44.9/72.6

M.=Mounted side (T: Mounted on the Top side B: Mounted on the Bottom side)
S.=Surface mount

[BPF UNIT]

REF NO.	ORDER NO.	DESCRIPTION	M.	H/V LOCATION
IC151	1130011530	S.IC CD74HC4094M96	T	7.9/42.3
IC152	1130011530	S.IC CD74HC4094M96	T	7.9/53
IC154	1160000131	S.IC TD62783AFG (5,S,EL)	B	18.9/6.8
IC155	1160000131	S.IC TD62783AFG (5,S,EL)	B	8.5/68.2
IC301	1180002770	S.REG BAJ0CC0FF-E2	T	8.5/88.2
Q151	1590003530	S.TR BCR08PN except [FRA], [AUS], [CHN]	T	10.3/64.4
	1590003930	S.TR UMD22N TR [FRA], [AUS], [CHN]	T	10.3/64.4
Q152	1590003530	S.TR BCR08PN except [FRA], [AUS], [CHN]	T	5.5/64.4
	1590003930	S.TR UMD22N TR [FRA], [AUS], [CHN]	T	5.5/64.4
Q180	1590003520	S.TR BCR108T except [FRA], [AUS], [CHN]	T	12.6/81.6
	1590003940	S.TR RN1105 (TE85L,F) [FRA], [AUS], [CHN]	T	12.6/81.6
Q181	1530002060	S.TR 2SC4081 T106 R	T	81.8/115.8
Q182	1590001870	S.TR DTA114EE TL [FRA], [AUS], [CHN]	T	85.2/112.9
	1590003570	S.TR BCR183T except [FRA], [AUS], [CHN]	T	85.2/112.9
Q183	1530002841	S.TR 2SC4116-Y (TE85R,F)	T	85/115.8
D181	1790001250	S.DIO MA2S1110G-(TX)	B	84.1/108.5
D182	1790000980	S.DIO MA742 (TX)	B	91.2/115.8
D201	1790001250	S.DIO MA2S1110G-(TX)	B	69.1/108.4
D202	1790001250	S.DIO MA2S1110G-(TX)	B	54.2/108.3
L1	6200005521	S.COL NLV25T-470J	B	55.2/88.8
L2	6140004090	COL LR-447		
L3	6140004230	COL LR-458		
L4	6140004230	COL LR-458		
L5	6140004230	COL LR-458		
L6	6140004090	COL LR-447		
L21	6200005521	S.COL NLV25T-470J	B	61.7/88.8
L22	6140004090	COL LR-447		
L23	6140004100	COL LR-448		
L24	6140004100	COL LR-448		
L25	6140004100	COL LR-448		
L26	6140004090	COL LR-447		
L41	6200005521	S.COL NLV25T-470J	B	68.2/88.8
L42	6140004110	COL LR-449		
L43	6140004120	COL LR-450		
L44	6140004120	COL LR-450		
L45	6140004120	COL LR-450		
L46	6140004110	COL LR-449		
L61	6200005521	S.COL NLV25T-470J	B	74.7/88.8
L62	6140004140	COL LR-451		
L63	6140004150	COL LR-452		
L64	6140004150	COL LR-452		
L65	6140004150	COL LR-452		
L66	6140004140	COL LR-451		
L81	6200007021	S.COL NLV25T-270J	B	81.2/88.8
L82	6140004160	COL LR-453		
L83	6140004180	COL LR-454		
L84	6140004180	COL LR-454		
L85	6140004180	COL LR-454		
L86	6140004160	COL LR-453		
L101	6200005011	S.COL NLV25T-100J	B	87.7/88.8
L102	6140004190	COL LR-455		
L103	6140004210	COL LR-456		
L104	6140004210	COL LR-456		
L105	6140004210	COL LR-456		
L106	6140004190	COL LR-455		
L121	6200009141	S.COL NLV25T-6R8J	B	94.2/88.8
L122	6140004220	COL LR-457		
L123	6140004160	COL LR-453		
L124	6140004160	COL LR-453		
L125	6140004160	COL LR-453		
L126	6140004220	COL LR-457		
L141	6200009141	S.COL NLV25T-6R8J	B	100.7/88.8
L142	6200008080	S.COL LQW2BHN22J03L	B	113.9/71.6
L143	6200010870	S.COL C2520C-R33G-A (0.33U)	T	113.8/72.7
L144	6200008080	S.COL LQW2BHN22J03L	B	113.9/87.3
L181	6200005521	S.COL NLV25T-470J	B	10.5/82.5
L201	6140002070	COL LR-233		
L211	6200007780	S.COL LQW2BHN22J03L	T	57.4/112.5
L221	6200005521	S.COL NLV25T-470J	B	35.8/88.8
L222	6180003740	COL SP0406-150J-PF		
L223	6180003740	COL SP0406-150J-PF		
L241	6200005521	S.COL NLV25T-470J	B	29.4/88.8
L242	6140003980	COL LR-476		
L243	6140003980	COL LR-476		
L244	6140003980	COL LR-476		
L245	6140003980	COL LR-476		
L246	6140003980	COL LR-476		
L247	6140003980	COL LR-476		
L248	6140003980	COL LR-476		
L261	6200005521	S.COL NLV25T-470J	B	42.2/88.8
L262	6140004040	COL LR-443		
L263	6140004050	COL LR-444		
L264	6140004050	COL LR-444		
L265	6140004050	COL LR-444		
L266	6140004040	COL LR-443		
L281	6200005521	S.COL NLV25T-470J	B	48.7/88.8
L282	6140004060	COL LR-445		
L283	6140004080	COL LR-446		
L284	6140004080	COL LR-446		
L285	6140004080	COL LR-446		

[BPF UNIT]

REF NO.	ORDER NO.	DESCRIPTION	M.	H/V LOCATION
L286	6140004060	COL LR-445		
R151	7030003240	S.RES ERJ3GEYJ 220 V (22)	T	28.3/10
R152	7030003240	S.RES ERJ3GEYJ 220 V (22)	T	23.4/10.8
R153	7030003240	S.RES ERJ3GEYJ 220 V (22)	T	23.4/9.2
R154	7030003240	S.RES ERJ3GEYJ 220 V (22)	T	28.3/8.4
R155	7030003240	S.RES ERJ3GEYJ 220 V (22)	T	23.4/7.6
R156	7030003240	S.RES ERJ3GEYJ 220 V (22)	T	28.3/6.8
R157	7030003240	S.RES ERJ3GEYJ 220 V (22)	T	23.4/6
R158	7030003240	S.RES ERJ3GEYJ 220 V (22)	T	28.3/5.2
R159	7030003240	S.RES ERJ3GEYJ 220 V (22)	T	12.8/60.3
R160	7030003240	S.RES ERJ3GEYJ 220 V (22)	T	14.1/60.3
R161	7030003240	S.RES ERJ3GEYJ 220 V (22)	T	14.9/63.9
R162	7030003240	S.RES ERJ3GEYJ 220 V (22)	T	16.3/63.9
R163	7030003240	S.RES ERJ3GEYJ 220 V (22)	T	12.7/77.6
R164	7030003240	S.RES ERJ3GEYJ 220 V (22)	T	15.7/77.6
R165	7030003240	S.RES ERJ3GEYJ 220 V (22)	T	14.2/77.6
R166	7030003240	S.RES ERJ3GEYJ 220 V (22)	T	11.2/77.6
R167	7030003320	S.RES ERJ3GEYJ 103 V (100)	T	7.4/64.4
R168	7030003320	S.RES ERJ3GEYJ 103 V (100)	T	12.2/64.4
R182	7030003560	S.RES ERJ3GEYJ 103 V (10 k)	T	82.4/113.7
R183	7030003320	S.RES ERJ3GEYJ 103 V (100)	T	88.2/112.7
R184	7030003680	S.RES ERJ3GEYJ 104 V (100 k)	T	88.2/113.9
R185	7030003860	S.RES ERJ3GE JPW V	T	88.2/115.1
R186	7030003480	S.RES ERJ3GEYJ 222 V (2.2 k)	T	88.2/116.3
R201	7030011700	S.RES ERJ1TYJ681U (680)	B	111.1/95.2
R202	7030010420	S.RES ERJ1TYJ 560U (56)	B	111.1/103.8
R203	7030010970	S.RES ERJ1TYJ 151U	B	120.2/94.6
R204	7030010440	S.RES ERJ1TYJ 680U (68)	B	120.2/103.2
R205	7030010610	S.RES ERJ1TYJ 470U (47)	B	102.6/115.9
R206	7030010520	S.RES ERJ1TYJ 101U (100)	B	111.2/115.9
R207	7540000260	ABS SA05C 201M		
R208	7540000260	ABS SA05C 201M		
R209	7030003680	S.RES ERJ3GEYJ 104 V (100 k)	T	48/109.6
R221	7030003640	S.RES ERJ3GEYJ 473 V (47 k)	T	29.2/32.6
R222	7030003860	S.RES ERJ3GE JPW V	T	26.6/33.4
R301	7030003360	S.RES ERJ3GEYJ 221 V (220)	T	9.4/32.5
R302	7030003360	S.RES ERJ3GEYJ 221 V (220)	T	9.4/31.3
R303	7030003360	S.RES ERJ3GEYJ 221 V (220)	T	9.4/30.1
R304	7030003360	S.RES ERJ3GEYJ 221 V (220)	T	9.4/28.9
R305	7030003640	S.RES ERJ3GEYJ 473 V (47 k)	T	13.3/31.3
R306	7030003640	S.RES ERJ3GEYJ 473 V (47 k)	T	13.3/32.5
R307	7030003640	S.RES ERJ3GEYJ 473 V (47 k)	T	13.3/30.1
R308	7030003640	S.RES ERJ3GEYJ 473 V (47 k)	T	13.3/28.9
R309	7030003360	S.RES ERJ3GEYJ 221 V (220)	T	9.4/27.7
R310	7030003360	S.RES ERJ3GEYJ 221 V (220)	T	9.4/26.5
C1	4030006880	S.CER C1608 JB 1H 472K-T	B	59.5/15
C2	4030017800	S.CER C1608 CH 1H 561J-T	B	57.4/29.5
C3	4030011330	S.CER C1608 CH 1H 391J-T	B	57.4/31.2
C4	4030007160	S.CER C1608 CH 1H 181J-T	B	54.1/39.8
C5	4030007070	S.CER C1608 CH 1H 330J-T	B	54.1/41.6
C6	4030007030	S.CER C1608 CH 1H 150J-T	B	51.7/45.5
C7	4030007120	S.CER C1608 CH 1H 820J-T	B	53.5/45.5
C8	4030007140	S.CER C1608 CH 1H 121J-T	B	54.1/53
C9	4030007100	S.CER C1608 CH 1H 560J-T	B	54.1/54.9
C10	4030007120	S.CER C1608 CH 1H 820J-T	B	53.4/57.3
C11	4030007030	S.CER C1608 CH 1H 150J-T	B	51.7/57.3
C12	4030007160	S.CER C1608 CH 1H 181J-T	B	54.1/60
C13	4030007070	S.CER C1608 CH 1H 330J-T	B	54.1/61.9
C14	4030017800	S.CER C1608 CH 1H 561J-T	B	57/84.1
C15	4030011330	S.CER C1608 CH 1H 391J-T	B	57/85.5
C16	4030006880	S.CER C1608 JB 1H 472K-T	B	55.2/91.2
C21	4030006880	S.CER C1608 JB 1H 472K-T	B	65.9/15
C22	4030010760	S.CER C1608 CH 1H 331J-T	B	67.2/29.5
C23	4030007150	S.CER C1608 CH 1H 151J-T	B	67.2/31.2
C24	4030007150	S.CER C1608 CH 1H 151J-T	B	63.8/39.8
C25	4030007060	S.CER C1608 CH 1H 270J-T	B	63.8/41.6
C26	4030007060	S.CER C1608 CH 1H 270J-T	B	63.2/45.5
C27	4030007140	S.CER C1608 CH 1H 121J-T	B	61.5/45.5
C28	4030007150	S.CER C1608 CH 1H 151J-T	B	63.9/53
C29	4030007010	S.CER C1608 CH 1H 100D-T	B	63.9/54.9
C30	4030007140	S.CER C1608 CH 1H 121J-T	B	63.2/57.4
C31	4030007060	S.CER C1608 CH 1H 270J-T	B	61.5/57.4
C32	4030007150	S.CER C1608 CH 1H 151J-T	B	63.9/60
C33	4030007060	S.CER C1608 CH 1H 270J-T	B	63.9/61.9
C34	4030010760	S.CER C1608 CH 1H 331J-T	B	66.6/83.7
C35	4030007150	S.CER C1608 CH 1H 151J-T	B	65.6/84.6
C36	4030006880	S.CER C1608 JB 1H 472K-T	B	61.7/91.2
C41	4030006880	S.CER C1608 JB 1H 472K-T	B	72.2/15
C42	4030007170	S.CER C1608 CH 1H 221J-T	B	76.8/29.5
C43	4030007170	S.CER C1608 CH 1H 221J-T	B	76.8/31.2
C44	4030007130	S.CER C1608 CH 1H 101J-T	B	73.6/39.8
C45	4030007050	S.CER C1608 CH 1H 220J-T	B	73.6/41.6
C46	4030007070	S.CER C1608 CH 1H 330J-T	B	72.9/45.5
C47	4030007080	S.CER C1608 CH 1H 390J-T	B	71.1/45.5
C48	4030007120	S.CER C1608 CH 1H 820J-T	B	73.5/53
C49	4030007050	S.CER C1608 CH 1H 220J-T	B	73.5/54.9
C50	4030007080	S.CER C1608 CH 1H 390J-T	B	72.8/57.5
C51	4030007070	S.CER C1608 CH 1H 330J-T	B	71.1/57.5
C52	4030007130	S.CER C1608 CH 1H 101J-T	B	73.5/60
C53	40			

[BPF UNIT]

REF NO.	ORDER NO.	DESCRIPTION	M.	H/V LOCATION
C68	4030007120	S.CER C1608 CH 1H 820J-T	B	83.3/54.9
C69	4030007070	S.CER C1608 CH 1H 330J-T	B	80.9/57.5
C70	4030007070	S.CER C1608 CH 1H 330J-T	B	82.6/57.5
C71	4030007090	S.CER C1608 CH 1H 470J-T	B	83.3/60
C72	4030007090	S.CER C1608 CH 1H 470J-T	B	83.3/61.9
C73	4030007170	S.CER C1608 CH 1H 221J-T	B	86.2/75.5
C74	4030007110	S.CER C1608 CH 1H 680J-T	B	86.2/77.1
C75	4030006880	S.CER C1608 JB 1H 472K-T	B	74.7/91.2
C81	4030006880	S.CER C1608 JB 1H 472K-T	B	85.1/15
C82	4030007160	S.CER C1608 CH 1H 181J-T	B	96.3/29.5
C83	4030007090	S.CER C1608 CH 1H 470J-T	B	96.3/31.2
C84	4030007090	S.CER C1608 CH 1H 470J-T	B	92.9/39.8
C85	4030007040	S.CER C1608 CH 1H 180J-T	B	92.9/41.6
C86	4030007030	S.CER C1608 CH 1H 150J-T	B	92.3/45.5
C87	4030007050	S.CER C1608 CH 1H 220J-T	B	90.5/45.5
C88	4030007090	S.CER C1608 CH 1H 470J-T	B	93/54.9
C89	4030006990	S.CER C1608 CH 1H 080D-T	B	93/53
C90	4030007050	S.CER C1608 CH 1H 220J-T	B	92.3/57.4
C91	4030007030	S.CER C1608 CH 1H 150J-T	B	90.6/57.4
C92	4030007090	S.CER C1608 CH 1H 470J-T	B	93/60
C93	4030007040	S.CER C1608 CH 1H 180J-T	B	93/61.9
C94	4030007160	S.CER C1608 CH 1H 181J-T	B	95.9/75.5
C95	4030007090	S.CER C1608 CH 1H 470J-T	B	95.9/77.1
C96	4030006880	S.CER C1608 JB 1H 472K-T	B	81.2/91.2
C101	4030006880	S.CER C1608 JB 1H 472K-T	B	91.5/15
C102	4030007140	S.CER C1608 CH 1H 121J-T	B	105.7/31.2
C103	4030007040	S.CER C1608 CH 1H 180J-T	B	105.7/29.5
C104	4030007070	S.CER C1608 CH 1H 330J-T	B	102.7/39.8
C105	4030007040	S.CER C1608 CH 1H 180J-T	B	102.7/41.6
C106	4030007010	S.CER C1608 CH 1H 100D-T	B	102.1/45.5
C107	4030007070	S.CER C1608 CH 1H 330J-T	B	100.3/45.5
C108	4030007090	S.CER C1608 CH 1H 470J-T	B	102.8/53
C109	4030007070	S.CER C1608 CH 1H 330J-T	B	102.1/56.3
C110	4030007010	S.CER C1608 CH 1H 100D-T	B	100.3/56.3
C111	4030007070	S.CER C1608 CH 1H 330J-T	B	102.8/59.5
C112	4030007040	S.CER C1608 CH 1H 180J-T	B	102.8/61.5
C113	4030007140	S.CER C1608 CH 1H 121J-T	B	105.9/77.1
C114	4030007040	S.CER C1608 CH 1H 180J-T	B	105.9/75.6
C115	4030006880	S.CER C1608 JB 1H 472K-T	B	87.7/91.2
C121	4030006880	S.CER C1608 JB 1H 472K-T	B	98.1/15
C122	4030007130	S.CER C1608 CH 1H 101J-T	B	112.7/24
C123	4030007030	S.CER C1608 CH 1H 150J-T	B	112.7/25.7
C124	4030007050	S.CER C1608 CH 1H 220J-T	B	113.4/34.2
C125	4030007020	S.CER C1608 CH 1H 120J-T	B	113.4/36
C126	4030007050	S.CER C1608 CH 1H 220J-T	B	115.3/39.9
C127	4030007050	S.CER C1608 CH 1H 220J-T	B	113.4/46.7
C128	4030006980	S.CER C1608 CH 1H 070D-T	B	113.4/48.5
C129	4030007050	S.CER C1608 CH 1H 220J-T	B	115.3/51.2
C130	4030007050	S.CER C1608 CH 1H 220J-T	B	113.4/53.9
C131	4030007020	S.CER C1608 CH 1H 120J-T	B	113.4/55.8
C132	4030007130	S.CER C1608 CH 1H 101J-T	B	110.8/86.4
C133	4030007030	S.CER C1608 CH 1H 150J-T	B	110.8/84.8
C134	4030006880	S.CER C1608 JB 1H 472K-T	B	94.2/91.2
C141	4030006880	S.CER C1608 JB 1H 472K-T	B	104.5/15
C142	4030008560	S.CER C1608 CH 1H 300J-T	B	116.8/70.2
C143	4030007060	S.CER C1608 CH 1H 270J-T	B	116.9/72.9
C144	4030007130	S.CER C1608 CH 1H 101J-T	B	116.9/74.5
C145	4030007130	S.CER C1608 CH 1H 101J-T	B	116.5/84.8
C146	4030007060	S.CER C1608 CH 1H 270J-T	B	116.5/86.4
C147	4030008560	S.CER C1608 CH 1H 300J-T	B	116.5/88.5
C148	4030006880	S.CER C1608 JB 1H 472K-T	B	100.7/91.2
C151	4030011600	S.CER C1608 JB 1E 104K-T	B	10.7/16.5
C152	4030011600	S.CER C1608 JB 1E 104K-T	B	4.4/77.9
C153	4030011600	S.CER C1608 JB 1E 104K-T	T	14.3/39.9
C154	4030011600	S.CER C1608 JB 1E 104K-T	T	13.9/50.8
C181	4030006880	S.CER C1608 JB 1H 472K-T	B	85.4/108.5
C182	4030010760	S.CER C1608 CH 1H 331J-T	T	94/114.3
C183	4030007050	S.CER C1608 CH 1H 220J-T	T	91.2/113.9
C184	4030009520	S.CER C1608 CH 1H 020B-T	T	91.2/112.7
C185	4030010210	S.CER C3216 JB 1C 105M-T	B	86.2/112.9
C186	4030011600	S.CER C1608 JB 1E 104K-T	B	86.2/105.3
C201	4030006880	S.CER C1608 JB 1H 472K-T	B	107/91.2
C202	4030006880	S.CER C1608 JB 1H 472K-T	B	116/91.2
C203	4030006880	S.CER C1608 JB 1H 472K-T	B	99.9/111.7
C204	4030006880	S.CER C1608 JB 1H 472K-T	B	70.4/108.4
C205	4030006880	S.CER C1608 JB 1H 472K-T	B	55.5/108.3
C211	4030007020	S.CER C1608 CH 1H 120J-T	T	61/113.3
C212	4030007020	S.CER C1608 CH 1H 120J-T	T	59.8/113.3
C213	4030011770	S.CER C1608 CH 1H 060B-T	T	55/113.3
C214	4030011770	S.CER C1608 CH 1H 060B-T	T	53.8/113.3
C215	4030011770	S.CER C1608 CH 1H 060B-T	T	52.6/113.3
C216	4030011770	S.CER C1608 CH 1H 060B-T	T	51.4/113.3
C221	4030006880	S.CER C1608 JB 1H 472K-T	B	40.1/15
C222	4030018610	S.CER C1608 CH 1H 182J-T	T	27.5/38.1
C223	4030018510	S.CER C2012 CH 1H 682J-T	T	28.3/53.8
C224	4030018640	S.CER C2012 CH 1H 103J-T	T	28.3/55.9
C225	4030018610	S.CER C1608 CH 1H 182J-T	T	27.4/71.5
C226	4030006880	S.CER C1608 JB 1H 472K-T	B	35.8/91.2
C227	4030018640	S.CER C2012 CH 1H 103J-T	T	27.6/36.1
C228	4030018640	S.CER C2012 CH 1H 103J-T	T	27.6/73.5
C241	4030006880	S.CER C1608 JB 1H 472K-T	B	33.7/15
C242	4030017810	S.CER C1608 CH 1H 102J-T	B	20.4/30.4
C243	4030007130	S.CER C1608 CH 1H 101J-T	B	21.2/39.8
C244	4030007130	S.CER C1608 CH 1H 101J-T	B	21.2/41.6
C245	4030017810	S.CER C1608 CH 1H 102J-T	B	21.9/45.5
C246	4030018610	S.CER C1608 CH 1H 182J-T	B	23.7/45.5
C247	4030017810	S.CER C1608 CH 1H 102J-T	B	21.2/54.9
C248	4030018600	S.CER C1608 CH 1H 152J-T	B	21.2/53
C249	4030017810	S.CER C1608 CH 1H 102J-T	B	23.7/57.3
C250	4030018610	S.CER C1608 CH 1H 182J-T	B	21.9/57.3
C251	4030007130	S.CER C1608 CH 1H 101J-T	B	21.2/61.9
C252	4030007130	S.CER C1608 CH 1H 101J-T	B	21.2/60
C253	4030017810	S.CER C1608 CH 1H 102J-T	B	20.8/83
C254	4030006880	S.CER C1608 JB 1H 472K-T	B	29.4/91.2

[BPF UNIT]

REF NO.	ORDER NO.	DESCRIPTION	M.	H/V LOCATION
C261	4030006880	S.CER C1608 JB 1H 472K-T	B	46.7/15
C262	4030017810	S.CER C1608 CH 1H 102J-T	B	38.3/29.5
C263	4030017810	S.CER C1608 CH 1H 102J-T	B	38.3/31.2
C264	4030010760	S.CER C1608 CH 1H 331J-T	B	34.9/39.8
C265	4030007140	S.CER C1608 CH 1H 121J-T	B	34.9/41.6
C266	4030007160	S.CER C1608 CH 1H 181J-T	B	34.2/45.6
C267	4030007060	S.CER C1608 CH 1H 270J-T	B	32.4/45.6
C268	4030010760	S.CER C1608 CH 1H 331J-T	B	34.8/53
C269	4030007090	S.CER C1608 CH 1H 470J-T	B	34.8/54.9
C270	4030007160	S.CER C1608 CH 1H 181J-T	B	34.1/57.4
C271	4030007060	S.CER C1608 CH 1H 270J-T	B	32.5/57.4
C272	4030010760	S.CER C1608 CH 1H 331J-T	B	34.8/60
C273	4030007140	S.CER C1608 CH 1H 121J-T	B	34.8/61.9
C274	4030017810	S.CER C1608 CH 1H 102J-T	B	37.8/39.8
C275	4030017810	S.CER C1608 CH 1H 102J-T	B	37.8/85.3
C276	4030006880	S.CER C1608 JB 1H 472K-T	B	42.2/91.2
C281	4030006880	S.CER C1608 JB 1H 472K-T	B	53.1/15
C282	4030017800	S.CER C1608 CH 1H 561J-T	B	47.9/29.5
C283	4030010760	S.CER C1608 CH 1H 331J-T	B	47.9/31.2
C284	4030010760	S.CER C1608 CH 1H 331J-T	B	44.5/39.8
C285	4030007080	S.CER C1608 CH 1H 390J-T	B	44.5/41.6
C286	4030007100	S.CER C1608 CH 1H 560J-T	B	42.1/45.5
C287	4030010760	S.CER C1608 CH 1H 331J-T	B	43.9/45.5
C288	4030010760	S.CER C1608 CH 1H 331J-T	B	44.5/53
C289	4030007090	S.CER C1608 CH 1H 470J-T	B	44.5/54.9
C290	4030010760	S.CER C1608 CH 1H 331J-T	B	43.8/57.4
C291	4030007100	S.CER C1608 CH 1H 560J-T	B	42.1/57.4
C292	4030010760	S.CER C1608 CH 1H 331J-T	B	44.5/60
C293	4030007080	S.CER C1608 CH 1H 390J-T	B	44.5/61.9
C294	4030017800	S.CER C1608 CH 1H 561J-T	B	47.5/84
C295	4030010760	S.CER C1608 CH 1H 331J-T	B	47.5/85.4
C296	4030006880	S.CER C1608 JB 1H 472K-T	B	48.7/91.2
C301	4030011600	S.CER C1608 JB 1E 104K-T	T	13.4/24
C302	4550003210	S.TAN TEESVD21D226M12R	T	7/82.1
C303	4030011600	S.CER C1608 JB 1E 104K-T	T	3/86.8
C304	4030011600	S.CER C1608 JB 1E 104K-T	T	3/89.6
C305	4510008540	S.ELE EEE1CA100SR	T	7/94.1
RL1	6330001721	RLY ATN207-K1		
RL2	6330001721	RLY ATN207-K1		
RL21	6330001721	RLY ATN207-K1		
RL22	6330001721	RLY ATN207-K1		
RL41	6330001721	RLY ATN207-K1		
RL42	6330001721	RLY ATN207-K1		
RL61	6330001721	RLY ATN207-K1		
RL62	6330001721	RLY ATN207-K1		
RL81	6330001721	RLY ATN207-K1		
RL82	6330001721	RLY ATN207-K1		
RL101	6330001721	RLY ATN207-K1		
RL102	6330001721	RLY ATN207-K1		
RL121	6330001721	RLY ATN207-K1		
RL122	6330001721	RLY ATN207-K1		
RL141	6330001721	RLY ATN207-K1		
RL142	6330001721	RLY ATN207-K1		
RL181	6330001721	RLY ATN207-K1		
RL201	6330001721	RLY ATN207-K1		
RL202	6330001721	RLY ATN207-K1		
RL203	6330001721	RLY ATN207-K1		
RL204	6330001721	RLY ATN207-K1		
RL205	6330001721	RLY ATN207-K1		
RL221	6330001721	RLY ATN207-K1		
RL222	6330001721	RLY ATN207-K1		
RL241	6330001721	RLY ATN207-K1		
RL242	6330001721	RLY ATN207-K1		
RL261	6330001721	RLY ATN207-K1		
RL262	6330001721	RLY ATN207-K1		
RL281	6330001721	RLY ATN207-K1		
RL282	6330001721	RLY ATN207-K1		
J1	6510020521	S.CNR 52808-1271 (1290)	T	4.5/26.9
J11	6510007020	CNR TMP-J01X-V6		
J501	6510007020	CNR TMP-J01X-V6		
J502	6450001800	CNR JPJ1044-01-010		
W1	7120000470	JMP ERDS2T0		
EP301	6910014730	S.BEA MPZ2012S331A-T	T	10.4/20.6
EP302	6910018270	S.BEA MMZ1608Y301CT	T	10.8/24

M.=Mounted side (T: Mounted on the Top side B: Mounted on the Bottom side)
S.=Surface mount

[RF-A UNIT]

REF NO.	ORDER NO.	DESCRIPTION	M.	H/V LOCATION
IC130	1190002010	S.IC SD5400CY <TOMO>	T	67.8/92.9
IC210	1110006180	S.IC UPG2009TB-E3	T	66.5/65.4
IC311	1180000421	S.IC TA78L05F (TE12R,F)	B	145/5.3
IC380	1190002110	S.IC NJG1519KC1-TE3-#ZZZB	T	29.3/72.4
IC500	1190002110	S.IC NJG1519KC1-TE3-#ZZZB	T	27/32
IC620	1180002770	S.REG BAJ0CC0FP-E2	B	88.8/5.7
IC701	1110006180	S.IC UPG2009TB-E3	T	63.1/5.7
IC800	1130011530	S.IC CD74HC4094M96	T	149.7/48.7
IC801	1130011530	S.IC CD74HC4094M96	T	149.7/40.6
IC850	1180000720	S.IC AN79L05M-(E1)	B	155.2/14.9
IC950	1110005100	S.IC NJM072BM-TE1-#ZZZB	T	132/17.7
IC951	1110005420	S.IC BA15532F-E2	T	131.6/31.5
IC1000	1110006100	S.IC NJM5534MD-TE1-#ZZZB	B	142.3/32.7
IC1030	1110000960	S.IC NJM4558M-TE1-#FMZB	B	74.5/43.7
IC1031	1110006750	S.IC TK14570LTL-G	T	73.3/34.4
IC1032	1120002830	S.IC NJM2125F-TE1-#FZZB	B	73.7/32
IC1060	1110006190	S.IC NJM074M-TE1-#ZZZB	B	126.4/32.2
IC1090	1110006100	S.IC NJM5534MD-TE1-#ZZZB	B	110/45
IC1091	1110006100	S.IC NJM5534MD-TE1-#ZZZB	B	122.2/17.7
IC1311	1130011921	S.IC TC74LCX00F (EL,F)	T	95.9/28.2
IC1312	1130005971	S.IC TC74HC4053AF (F,S)	T	142.5/17.2
Q20	1590003530	S.TR BCR08PN except [FRA], [AUS], [CHN]	T	114.8/59.4
	1590003930	S.TR UMD22N TR [FRA], [AUS], [CHN]	T	114.8/59.4
Q21	1590003530	S.TR BCR08PN except [FRA], [AUS], [CHN]	T	111.2/59.4
	1590003930	S.TR UMD22N TR [FRA], [AUS], [CHN]	T	111.2/59.4
Q22	1590003530	S.TR BCR08PN except [FRA], [AUS], [CHN]	T	115.9/74.3
	1590003930	S.TR UMD22N TR [FRA], [AUS], [CHN]	T	115.9/74.3
Q30	1530003851	S.TR 2SC5551F-TD-E	B	131.2/63.4
Q50	1530003851	S.TR 2SC5551F-TD-E	B	128/91.5
Q70	1530003851	S.TR 2SC5551F-TD-E	B	128/76.5
Q150	1590003520	S.TR BCR108T except [FRA], [AUS], [CHN]	T	32.9/81.4
	1590003940	S.TR RN1105 (TE85L,F) [FRA], [AUS], [CHN]	T	32.9/81.4
Q151	1550000090	S.FET RSQ035P03TR	B	37.8/86.5
Q170	1530003860	TR 2SC3950D		
Q190	1530003860	TR 2SC3950D		
Q191	1530003841	S.TR 2SC5501A	T	25.2/84.1
Q321	1560000641	S.FET 2SK1740-4/5-TB-E	T	60.7/57.5
Q350	1590003530	S.TR BCR08PN except [FRA], [AUS], [CHN]	T	56.8/38.9
	1590003930	S.TR UMD22N TR [FRA], [AUS], [CHN]	T	56.8/38.9
Q351	1590003530	S.TR BCR08PN except [FRA], [AUS], [CHN]	T	56.8/35.1
	1590003930	S.TR UMD22N TR [FRA], [AUS], [CHN]	T	56.8/35.1
Q550	1530003841	S.TR 2SC5501A 4-ETR-E	B	7.2/17.4
Q580	1530003021	S.TR 2SC4402-3-TL-E	B	19.4/12.8
Q581	1530003021	S.TR 2SC4402-3-TL-E	B	14.4/9.6
Q640	1560000641	S.FET 2SK1740-4/5-TB-E	B	38.6/3
Q641	1560000641	S.FET 2SK1740-4/5-TB-E	B	38.6/6.2
Q671	1560000641	S.FET 2SK1740-4/5-TB-E	T	57.8/6.8
Q730	1530003151	S.TR 2SC4673D-TD-E	T	42.5/20.3
Q901	1590003520	S.TR BCR108T except [FRA], [AUS], [CHN]	B	141.4/15.3
	1590003940	S.TR RN1105 (TE85L,F) [FRA], [AUS], [CHN]	B	141.4/15.3
Q1011	1530003431	S.TR 2SC5226A 4-ETL-E	T	68.7/11.1
Q1021	1530003431	S.TR 2SC5226A 4-ETL-E	T	68/23.8
Q1200	1530003450	S.TR 2SC4835-R (TX)	B	95.3/45.9
Q1201	1530003450	S.TR 2SC4835-R (TX)	B	98.1/10.8
Q1310	1530002601	S.TR 2SC4215-O (TE85R,F)	B	99.7/28.2
D1	1750000581	S.DIO 1SV307 (TPH3,F)	T	110.5/90.2
D20	1750000550	S.DIO 1SS355 TE-17	B	148/95.9
D21	1750000550	S.DIO 1SS355 TE-17	B	148.3/80.6
D90	1750000550	S.DIO 1SS355 TE-17	B	105/80.8
D91	1750000550	S.DIO 1SS355 TE-17	B	105.2/97.3
D460	1750000581	S.DIO 1SV307 (TPH3,F)	T	19/71.7
D461	1750000581	S.DIO 1SV307 (TPH3,F)	T	19/73.8
D462	1750000581	S.DIO 1SV307 (TPH3,F)	T	18.6/34.3
D463	1750000581	S.DIO 1SV307 (TPH3,F)	T	18.6/32.3
D600	1750000431	S.DIO HSB88WSTR-E	T	42.1/12.5
D850	1790001670	S.DIO RB706F-40T106	B	113.8/9
D851	1790001670	S.DIO RB706F-40T106	T	113.6/14.2
D950	1750000550	S.DIO 1SS355 TE-17	T	132.5/24.4
D951	1750000550	S.DIO 1SS355 TE-17	T	132.5/22.6
D1021	1790001240	S.DIO MA25728-(TX)	B	67.7/25.4
D1250	1750000431	S.DIO HSB88WSTR-E	T	92.1/38.3
D1251	1750000431	S.DIO HSB88WSTR-E	T	92/18.3
FI400	2030000530	S.MLH FL-384 (58.7 MHz)	T	44.2/51.5
FI420	2030000540	S.MLH FL-385 (58.7 MHz)	T	35.6/53.7
FI440	2030000550	S.MLH FL-386 (58.7 MHz)	T	27/51.5
FI460	2030000560	S.MLH FL-387 (58.7 MHz)	T	18.4/53.7
FI480	2030000570	S.MLH FL-388 (58.7 MHz)	T	9.8/51.5
FI702	2020002430	CER SFVLF10M7LF00-B0		
FI1011	2020001170	S.CER SFECA10.7MS2-A-TC (SFECA10.7MS2)	T	75/17.8
FI1030	2020001170	S.CER SFECA10.7MS2-A-TC (SFECA10.7MS2)	T	68.6/28.8

[RF-A UNIT]

REF NO.	ORDER NO.	DESCRIPTION	M.	H/V LOCATION
L20	6200009690	S.COL LQH43CN101K03L	T	127/56.4
L21	6200009690	S.COL LQH43CN101K03L	T	120.4/65.7
L30	6140003890	COL LR-488		
L31	6180001000	COL LAL 04NA 102K		
L32	6200010680	S.COL C2520C-R22G-A (0.22U)	T	111/72.8
L33	6140003900	COL LR-489		
L50	6200007790	S.COL LQW2BHN15J03L	B	143.7/76.3
L51	6140003800	COL LR-439		
L52	6190001650	COL ELC06D102E		
L53	6140003880	COL LR-486		
L54	6140003800	COL LR-439		
L70	6190001650	COL ELC06D102E		
L71	6140003880	COL LR-486		
L110	6200010740	S.COL C2520C-R27G-A	T	98.2/86.4
L111	6200010740	S.COL C2520C-R27G-A	T	95.4/82.8
L112	6200007780	S.COL LQW2BHN12J03L	B	86.1/91.7
L113	6200007780	S.COL LQW2BHN12J03L	B	83.5/91.7
L114	6200010740	S.COL C2520C-R27G-A	T	92.6/79.2
L131	6200010730	S.COL C2520C-68NG-A	T	83.1/87.6
L132	6190001631	COL #E544EN-100021		
L133	6200011410	S.COL C2520C-82NG-A	T	67.5/76.6
L134	6200010860	S.COL C2520C-R10G-A (0.1U)	T	66.2/70.3
L136	6140003920	COL LR-491		
L138	6140003960	COL LR-495		
L150	6180003570	COL SP0406-3R3K-6		
L170	6200010740	S.COL C2520C-R27G-A	T	50.8/94.8
L190	6200011450	S.COL C2520C-R39G-A	T	30.9/94.4
L191	6140003910	COL LR-490		
L211	6200010740	S.COL C2520C-R27G-A	T	71.5/62.3
L230	6140004660	COL LR-524		
L290	6200010650	S.COL C2520C-R12G-A (0.12U)	T	87.8/65.8
L291	6200010860	S.COL C2520C-R10G-A (0.1U)	T	84.1/62.7
L292	6200010670	S.COL C2520C-R18G-A (0.18U)	T	80.9/59
L293	6200010680	S.COL C2520C-R22G-A (0.22U)	T	75.8/55.7
L321	6200005011	S.COL NLV25T-100J	T	63.1/61.3
L322	6140002810	S.COL LR-317 (T	69.1/54.9
L323	6200011220	S.COL C2012C-R47J-A	T	63/53.3
L400	6200010960	S.COL C2520C-R47G-A (0.47U)	T	44.3/64.6
L401	6200010960	S.COL C2520C-R47G-A (0.47U)	T	44.2/41.7
L402	6200010960	S.COL C2520C-R47G-A (0.47U)	T	44.3/61.4
L403	6200010960	S.COL C2520C-R47G-A (0.47U)	T	44.2/38.2
L420	6200010770	S.COL C2520C-R68G-A	T	35.4/66.9
L421	6200010770	S.COL C2520C-R68G-A	T	35.8/43.8
L422	6200010780	S.COL C2520C-1R0G-A	T	35.4/63.6
L423	6200010780	S.COL C2520C-1R0G-A	T	35.8/40.6
L440	6200010450	S.COL C2520C-R82G-A (0.82U)	T	26.9/64.4
L441	6200010450	S.COL C2520C-R82G-A (0.82U)	T	26.9/41.6
L442	6200010440	S.COL C2520C-1R2G-A (1.2U)	T	26.9/61.3
L443	6200010440	S.COL C2520C-1R2G-A (1.2U)	T	26.9/38.5
L460	6200010440	S.COL C2520C-1R2G-A (1.2U)	T	18/66.6
L461	6200010440	S.COL C2520C-1R2G-A (1.2U)	T	18/43.8
L462	6200010440	S.COL C2520C-1R2G-A (1.2U)	T	18/63.4
L463	6200010440	S.COL C2520C-1R2G-A (1.2U)	T	18/40.6
L464	6200003711	S.COL NLV25T-2R7J	T	22.3/71.7
L465	6200003711	S.COL NLV25T-2R7J	T	21.9/32.5
L480	6200010810	S.COL C2520C-2R2G-A	T	10.5/61.2
L481	6200010810	S.COL C2520C-2R2G-A	T	9.2/41.7
L482	6200010680	S.COL C2520C-R22G-A (0.22U)	T	10.5/64.7
L483	6200010680	S.COL C2520C-R22G-A (0.22U)	T	9.2/38.4
L484	6200003711	S.COL NLV25T-2R7J	B	9.9/73.8
L485	6200003711	S.COL NLV25T-2R7J	B	10.3/71.2
L486	6200003711	S.COL NLV25T-2R7J	B	11.4/34.3
L487	6200003711	S.COL NLV25T-2R7J	B	15.6/36.2
L520	6200007790	S.COL LQW2BHN15J03L	T	19.1/25.4
L521	6200007740	S.COL LQW2BHN47NJ03L	T	14.8/24.1
L550	6140003930	COL LR-492		
L580	6190001740	COL #E544EN-100027		
L600	6140003210	S.COL LR-358 (T	35.1/12.5
L601	6140003210	S.COL LR-358 (T	49.1/12.5
L611	6200010770	S.COL C2520C-R68G-A	T	34.9/71.2
L612	6200011450	S.COL C2520C-R39G-A	T	38.6/3.2
L613	6200010740	S.COL C2520C-R27G-A	T	31.3/5.8
L620	6200005521	S.COL NLV25T-470J	T	23.7/3.4
L640	6200010970	S.COL C2520C-1R8G-A (1.8U)	T	48/5.1
L641	6200002041	S.COL NLV25T-101J	B	32.2/5.5
L642	6200002041	S.COL NLV25T-101J	B	52.3/6.8
L702	6200010950	S.COL C2520C-1R5G-A (1.5U)	T	79.5/5.8
L703	6200010970	S.COL C2520C-1R8G-A (1.8U)	T	68.9/3.7
L704	6200010810	S.COL C2520C-2R2G-A	T	77.5/10.6
L730	620001920	S.COL ELJNC R15K-F	T	51.2/20.9
L731	6200003290	S.COL ELJNC R12K-F	T	50.5/25.2
L732	6200003290	S.COL ELJNC R12K-F	T	44.5/24.7
L805	6200005011	S.COL NLV25T-100J	T	156.5/36
L1011	6200003711	S.COL NLV25T-2R7J	T	62.7/79.8
L1012	6200005011	S.COL NLV25T-100J	T	68.8/14.5
L1013	6200005011	S.COL NLV25T-100J	B	65.5/15.4
L1021	6200003941	S.COL NLV25T-5R6J	T	71.9/21.9
L1022	6200002861	S.COL NLV25T-4R7J	T	64.7/23.2
L1023	6200005011	S.COL NLV25T-100J	B	64.9/20.1
L1030	6190001750	S.COL #836BN-0541TY	T	63.9/36.8
L1032	6200005011	S.COL NLV25T-100J	B	62/34.4
L1200	6200003520	S.COL ELJFB 102K-F	T	99.7/45.5
L1250	6140003210	S.COL LR-358 (T	99.1/38.3
L1251	6140003210	S.COL LR-358 (T	99/18.3
L1252	6140003210	S.COL LR-358 (T	85.1/38.3
L1253	6140003210	S.COL LR-358 (T	85/18.3
L1310	6200003261	S.COL NLV32T-101J	T	80.1/30.2
L1311	6200003261	S.COL NLV32T-101J	B	88.8/32.1
L1312	6200010800	S.COL C2520C-4R7G-A	T	88.8/25.7
L1313	6200003261	S.COL NLV32T-101J	B	88.8/25.1
R1	7030003640	S.RES ERJ3GEYJ 473 V (47 k)	T	114.1/91.7
R2	7030003480	S.RES ERJ3GEYJ 222 V (2.2 k)	T	112.1/90.2

M.=Mounted side (T: Mounted on the Top side B: Mounted on the Bottom side)
S.=Surface mount

[RF-A UNIT]

REF NO.	ORDER NO.	DESCRIPTION	M.	H/V LOCATION
R3	7030003560	S.RES ERJ3GEYJ 103 V (10 k)	T	114.2/88.1
R4	7030003620	S.RES ERJ3GEYJ 333 V (33 k)	T	114.2/89.3
R20	7030003320	S.RES ERJ3GEYJ 101 V (100)	T	143.5/73.2
R21	7030003320	S.RES ERJ3GEYJ 101 V (100)	T	145.1/96.5
R22	7030003320	S.RES ERJ3GEYJ 101 V (100)	B	104.6/82.4
R23	7030003320	S.RES ERJ3GEYJ 101 V (100)	T	104.4/97.8
R30	7030003200	S.RES ERJ3GEYJ 100 V (10)	B	140.3/66.8
R31	7030003530	S.RES ERJ3GEYJ 562 V (5.6 k)	T	144/59.5
R32	7030003440	S.RES ERJ3GEYJ 102 V (1 k)	T	144/60.7
R33	7030004030	S.RES ERJ3GEYJ 5R6 V (5.6)	B	131/66.8
R34	7030003280	S.RES ERJ3GEYJ 470 V (47)	B	138.8/62.7
R35	7030003240	S.RES ERJ3GEYJ 220 V (22)	T	133.8/58.9
R50	7030003280	S.RES ERJ3GEYJ 470 V (47)	T	139.1/97.6
R51	7030003200	S.RES ERJ3GEYJ 100 V (10)	B	132.5/91.1
R53	7030003440	S.RES ERJ3GEYJ 102 V (1 k)	B	129.5/84.3
R54	7030003280	S.RES ERJ3GEYJ 470 V (47)	B	123.7/93.8
R55	7030003510	S.RES ERJ3GEYJ 392 V (3.9 k)	B	124.6/87.5
R70	7030003280	S.RES ERJ3GEYJ 470 V (47)	B	139.8/76
R71	7030003200	S.RES ERJ3GEYJ 100 V (10)	B	132.5/76.5
R73	7030003440	S.RES ERJ3GEYJ 102 V (1 k)	B	130/69.4
R74	7030003280	S.RES ERJ3GEYJ 470 V (47)	B	123.8/79.1
R75	7030003510	S.RES ERJ3GEYJ 392 V (3.9 k)	B	124.5/72.7
R110	7030000010	S.RES MCR10EZHZ JPW (000)	T	101.1/88.8
R111	7030003280	S.RES ERJ3GEYJ 470 V (47)	B	88.6/90.7
R130	7030000010	S.RES MCR10EZHZ JPW (000)	T	85.8/87.9
R131	7030003800	S.RES ERJ3GEYJ 105 V (1 M)	T	74.3/94.9
R132	7030003520	S.RES ERJ3GEYJ 472 V (4.7 k)	T	80/97
R134	7030003250	S.RES ERJ3GEYJ 270 V (27)	T	70.9/77.3
R135	7030003680	S.RES ERJ3GEYJ 104 V (100 k)	T	69.8/98.4
R136	7310004860	S.TRI EVM-3YSX50 B53 (502)	T	85.5/94.6
R137	7030003680	S.RES ERJ3GEYJ 104 V (100 k)	B	67/96.6
R139	7030003520	S.RES ERJ3GEYJ 472 V (4.7 k)	T	78/95.2
R141	7030007680	S.RES ERJ8ENF 47R0V (47)	T	62.4/98.2
R142	7030003400	S.RES ERJ3GEYJ 471 V (470)	B	94.7/77.7
R143	7030007680	S.RES ERJ8ENF 47R0V (47)	T	61/93
R150	7030003560	S.RES ERJ3GEYJ 103 V (10 k)	B	35.4/86.5
R151	7030003440	S.RES ERJ3GEYJ 102 V (1 k)	T	36.6/82.1
R161	7030003640	S.RES ERJ3GEYJ 473 V (47 k)	T	83/94.8
R170	7030009620	S.RES ERJ12YJ120U (12)	B	49.6/95.7
R171	7030003280	S.RES ERJ3GEYJ 470 V (47)	T	48.4/93
R173	7030007180	S.RES ERJ12YJ150U (15)	B	40.4/92.8
R175	7030004040	S.RES ERJ3GEYJ 4R7 V (4.7)	T	41.9/94.1
R176	7030006240	S.RES ERJ12YJ181U (180)	B	34.2/93.1
R177	7030007850	S.RES ERJ8ENF 1001V (1 k)	T	34.1/91.2
R190	7030004040	S.RES ERJ3GEYJ 4R7 V (4.7)	T	33.8/93.4
R191	7030003480	S.RES ERJ3GEYJ 222 V (2.2 k)	T	35/94.8
R192	7030003470	S.RES ERJ3GEYJ 182 V (1.8 k)	T	37.1/95.5
R193	7030006070	S.RES ERJ12YJ101U (100)	B	26.6/93
R194	7030004040	S.RES ERJ3GEYJ 4R7 V (4.7)	T	27.1/94.4
R195	7030003280	S.RES ERJ3GEYJ 470 V (47)	T	36.1/87.1
R196	7030003480	S.RES ERJ3GEYJ 222 V (2.2 k)	T	28.8/81.5
R197	7030003460	S.RES ERJ3GEYJ 152 V (1.5 k)	T	27.6/81.5
R198	7030003420	S.RES ERJ3GEYJ 681 V (680)	B	25/87.7
R199	7030003200	S.RES ERJ3GEYJ 100 V (10)	T	25.1/86.1
R200	7030003280	S.RES ERJ3GEYJ 470 V (47)	T	24.4/91
R210	7030003440	S.RES ERJ3GEYJ 102 V (1 k)	B	63.7/64
R211	7030003440	S.RES ERJ3GEYJ 102 V (1 k)	B	65.6/61.9
R214	7030003280	S.RES ERJ3GEYJ 470 V (47)	B	52.3/63.2
R290	7030003370	S.RES ERJ3GEYJ 271 V (270)	T	92.1/61.6
R291	7030003230	S.RES ERJ3GEYJ 180 V (18)	T	91.3/63.5
R292	7030003370	S.RES ERJ3GEYJ 271 V (270)	T	90.6/61.6
R321	7030003320	S.RES ERJ3GEYJ 101 V (100)	T	60.5/60.2
R322	7030003320	S.RES ERJ3GEYJ 101 V (100)	B	67.7/57.6
R324	7030003860	S.RES ERJ3GE JPW V	T	69.1/59.8
R350	7030003560	S.RES ERJ3GEYJ 103 V (10 k)	T	56.8/37
R351	7030003560	S.RES ERJ3GEYJ 103 V (10 k)	T	56.8/33.2
R380	7030003440	S.RES ERJ3GEYJ 102 V (1 k)	B	29.4/71.4
R381	7030003440	S.RES ERJ3GEYJ 102 V (1 k)	B	26.6/70.1
R382	7030003440	S.RES ERJ3GEYJ 102 V (1 k)	B	26.6/75.3
R383	7030003440	S.RES ERJ3GEYJ 102 V (1 k)	B	29.5/76.9
R460	7030003400	S.RES ERJ3GEYJ 471 V (470)	T	25.4/72.2
R461	7030003400	S.RES ERJ3GEYJ 471 V (470)	T	22.4/35
R480	7030003380	S.RES ERJ3GEYJ 331 V (330)	B	13/73.8
R481	7030003380	S.RES ERJ3GEYJ 331 V (330)	B	13.6/71.7
R482	7030003380	S.RES ERJ3GEYJ 331 V (330)	B	14.7/34.3
R483	7030003380	S.RES ERJ3GEYJ 331 V (330)	B	14.7/32.3
R484	7030003320	S.RES ERJ3GEYJ 101 V (100)	B	6.5/74.2
R485	7030003320	S.RES ERJ3GEYJ 101 V (100)	B	7.1/70.8
R486	7030003320	S.RES ERJ3GEYJ 101 V (100)	B	18.1/36.4
R487	7030003320	S.RES ERJ3GEYJ 101 V (100)	B	9/35.8
R500	7030003440	S.RES ERJ3GEYJ 102 V (1 k)	B	29.9/35
R501	7030003440	S.RES ERJ3GEYJ 102 V (1 k)	B	29.9/30.6
R502	7030003440	S.RES ERJ3GEYJ 102 V (1 k)	B	24/30.7
R503	7030003440	S.RES ERJ3GEYJ 102 V (1 k)	B	24/35
R550	7030003440	S.RES ERJ3GEYJ 102 V (1 k)	B	7.2/19.6
R551	7030003400	S.RES ERJ3GEYJ 471 V (470)	B	6.2/14
R552	7030003340	S.RES ERJ3GEYJ 151 V (150)	B	8/14
R553	7030003520	S.RES ERJ3GEYJ 472 V (4.7 k)	B	4.4/14
R554	7030003550	S.RES ERJ3GEYJ 822 V (8.2 k)	B	3.6/18.2
R555	7030003200	S.RES ERJ3GEYJ 100 V (10)	B	10.2/14.7
R556	7030003300	S.RES ERJ3GEYJ 680 V (68)	B	14.4/16.4
R580	7030003200	S.RES ERJ3GEYJ 100 V (10)	B	13.8/12
R581	7030003520	S.RES ERJ3GEYJ 472 V (4.7 k)	B	10.7/8.4
R582	7030003550	S.RES ERJ3GEYJ 822 V (8.2 k)	B	14/8
R583	7030003690	S.RES ERJ3GEYJ 124 V (120 k)	B	12.3/3.8
R584	7030003200	S.RES ERJ3GEYJ 100 V (10)	B	22.8/12.8
R585	7030003200	S.RES ERJ3GEYJ 100 V (10)	B	16.6/8.9
R587	7030003280	S.RES ERJ3GEYJ 470 V (47)	B	18.7/5.7
R588	7510001671	S.TMR NTCG16 4BH 103JT	B	14/5.2
R611	7030003280	S.RES ERJ3GEYJ 470 V (47)	T	32.4/2.3
R620	7030003320	S.RES ERJ3GEYJ 101 V (100)	T	26.9/3.2
R641	7030003280	S.RES ERJ3GEYJ 470 V (47)	B	35.2/5.5
R645	7030003490	S.RES ERJ3GEYJ 272 V (2.7 k)	T	45.8/4.2
R671	7030003200	S.RES ERJ3GEYJ 100 V (10)	T	55.9/4.4

[RF-A UNIT]

REF NO.	ORDER NO.	DESCRIPTION	M.	H/V LOCATION
R672	7030003600	S.RES ERJ3GEYJ 223 V (22 k)	T	55.2/6.7
R673	7030003340	S.RES ERJ3GEYJ 151 V (150)	T	60.3/8.8
R674	7030003340	S.RES ERJ3GEYJ 151 V (150)	B	56.7/8.8
R704	7030003440	S.RES ERJ3GEYJ 102 V (1 k)	B	59.7/5.1
R705	7030003440	S.RES ERJ3GEYJ 102 V (1 k)	B	62/8.5
R730	7030003370	S.RES ERJ3GEYJ 271 V (270)	T	46.9/18.4
R731	7030003230	S.RES ERJ3GEYJ 180 V (18)	T	50.8/18.6
R732	7030003370	S.RES ERJ3GEYJ 271 V (270)	T	47.4/19.6
R733	7030003330	S.RES ERJ3GEYJ 121 V (120)	T	38.1/25.6
R734	7030003320	S.RES ERJ3GEYJ 101 V (100)	T	38.1/20
R735	7030003560	S.RES ERJ3GEYJ 103 V (10 k)	T	40.9/24.8
R736	7030003480	S.RES ERJ3GEYJ 222 V (2.2 k)	T	38.1/22.7
R737	7030003370	S.RES ERJ3GEYJ 271 V (270)	T	35.9/23.7
R738	7030003230	S.RES ERJ3GEYJ 180 V (18)	T	35.1/21.4
R739	7030003370	S.RES ERJ3GEYJ 271 V (270)	T	34.4/23.5
R800	7030003440	S.RES ERJ3GEYJ 102 V (1 k)	T	120.3/10.4
R801	7030003440	S.RES ERJ3GEYJ 102 V (1 k)	T	121.5/10.4
R802	7030003440	S.RES ERJ3GEYJ 102 V (1 k)	T	122.7/10.4
R803	7030003280	S.RES ERJ3GEYJ 470 V (47)	T	137.1/46.5
R804	7030003280	S.RES ERJ3GEYJ 470 V (47)	T	140.3/44.8
R805	7030003280	S.RES ERJ3GEYJ 470 V (47)	T	140.3/45.8
R806	7030003280	S.RES ERJ3GEYJ 470 V (47)	T	137.1/49.3
R807	7030003280	S.RES ERJ3GEYJ 470 V (47)	T	140.3/50
R808	7030003280	S.RES ERJ3GEYJ 470 V (47)	T	137.1/50.7
R809	7030003280	S.RES ERJ3GEYJ 470 V (47)	T	140.3/51.4
R810	7030003280	S.RES ERJ3GEYJ 470 V (47)	T	140.3/48.6
R811	7030003280	S.RES ERJ3GEYJ 470 V (47)	T	137.1/47.7
R812	7030003280	S.RES ERJ3GEYJ 470 V (47)	T	140.3/47.2
R813	7030003280	S.RES ERJ3GEYJ 470 V (47)	T	137.1/43.7
R814	7030003280	S.RES ERJ3GEYJ 470 V (47)	T	137.1/45.1
R815	7030003280	S.RES ERJ3GEYJ 470 V (47)	T	140.3/43.3
R816	7030003280	S.RES ERJ3GEYJ 470 V (47)	T	137.1/42.3
R817	7030003640	S.RES ERJ3GEYJ 473 V (47 k)	T	151.9/36.2
R818	7030003640	S.RES ERJ3GEYJ 473 V (47 k)	B	156.7/41.1
R819	7030003640	S.RES ERJ3GEYJ 473 V (47 k)	B	151.2/52.7
R820	7030003640	S.RES ERJ3GEYJ 473 V (47 k)	B	152.5/41.9
R821	7030003440	S.RES ERJ3GEYJ 102 V (1 k)	T	119.1/10.4
R850	7030003370	S.RES ERJ3GEYJ 271 V (270)	B	151.1/13.5
R900	7030003860	S.RES ERJ3GE JPW V	B	124.1/8.2
R904	7030003860	S.RES ERJ3GE JPW V	T	147.1/28
R905	7030003320	S.RES ERJ3GEYJ 101 V (100)	T	137.1/13.3
R907	7030003560	S.RES ERJ3GEYJ 103 V (10 k)	B	143.2/19.7
R908	7030003320	S.RES ERJ3GEYJ 101 V (100)	T	148.4/21.7
R950	7030003370	S.RES ERJ3GEYJ 271 V (270)	T	136.7/20.4
R951	7030003440	S.RES ERJ3GEYJ 102 V (1 k)	T	135.4/20.4
R952	7030003800	S.RES ERJ3GEYJ 105 V (1 M)	T	129.1/23.6
R953	7030003360	S.RES ERJ3GEYJ 221 V (220)	T	132.6/26
R954	7030003360	S.RES ERJ3GEYJ 221 V (220)	T	134.9/23.5
R955	7030003560	S.RES ERJ3GEYJ 103 V (10 k)	T	127.1/32.8
R956	7030003560	S.RES ERJ3GEYJ 103 V (10 k)	T	136.1/31.4
R957	7030003520	S.RES ERJ3GEYJ 472 V (4.7 k)	T	127.1/29.6
R958	7030003560	S.RES ERJ3GEYJ 103 V (10 k)	T	131.6/35
R959	7030003520	S.RES ERJ3GEYJ 472 V (4.7 k)	T	137/29.5
R960	7030003560	S.RES ERJ3GEYJ 103 V (10 k)	T	127.8/35
R961	7030003320	S.RES ERJ3GEYJ 101 V (100)	T	134.9/12.3
R962	7030003320	S.RES ERJ3GEYJ 101 V (100)	T	127.2/21.8
R963	7030003860	S.RES ERJ3GE JPW V	T	131.8/12.3
R964	7030003440	S.RES ERJ3GEYJ 102 V (1 k)	T	129.9/12.3
R965	7030003320	S.RES ERJ3GEYJ 101 V (100)	T	136.1/34.1
R966	7030003320	S.RES ERJ3GEYJ 101 V (100)	T	131.9/28
R1000	7030009691	S.RES ERA3YED 101V (100)	B	143.4/25
R1001	7030003320	S.RES ERJ3GEYJ 101 V (100)	T	147.3/34
R1002	7030010390	S.RES ERA3YED 821V (820)	B	141.5/29.3
R1003	7030003320	S.RES ERJ3GEYJ 101 V (100)	B	135.4/33.9
R1004	7030008061	S.RES ERA3YED 222V (2.2 k)	B	132.6/34.2
R1011	7030003480	S.RES ERJ3GEYJ 222 V (2.2 k)	T	66.2/11.7
R1012	7030003490	S.RES ERJ3GEYJ 272 V (2.7 k)	T	66/10.3
R1013	7030003230	S.RES ERJ3GEYJ 180 V (18)	T	70.6/11.4
R1014	7030003360	S.RES ERJ3GEYJ 221 V (220)	T	72.7/10.7
R1015	7030003380	S.RES ERJ3GEYJ 331 V (330)	T	70.7/14.8
R1021	7030003480	S.RES ERJ3GEYJ 222 V (2.2 k)	T	68.2/21.8
R1022	7030003490	S.RES ERJ3GEYJ 272 V (2.7 k)	T	70/21.6
R1023	7030003340	S.RES ERJ3GEYJ 151 V (150)	B	70.3/25.4
R1024	7030003380	S.RES ERJ3GEYJ 331 V (330)	B	64.1/21.2
R1031	7030003440	S.RES ERJ3GEYJ 102 V (1 k)	B	81/42.5
R1032	7030003320	S.RES ERJ3GEYJ 101 V (100)	T	76.

[RF-A UNIT]

REF NO.	ORDER NO.	DESCRIPTION	M.	H/V LOCATION
R1064	7030005321	S.RES ERA3YED 103V (10 k)	B	121.2/36.7
R1065	7030005321	S.RES ERA3YED 103V (10 k)	B	121.2/28.9
R1066	7030005321	S.RES ERA3YED 103V (10 k)	B	118.7/32.5
R1067	7030005321	S.RES ERA3YED 103V (10 k)	B	118.7/30.9
R1068	7030005321	S.RES ERA3YED 103V (10 k)	B	118.7/37.2
R1069	7030005321	S.RES ERA3YED 103V (10 k)	B	118.7/26.1
R1070	7030003320	S.RES ERJ3GEYJ 101 V (100)	T	124.5/32.8
R1071	7030003320	S.RES ERJ3GEYJ 101 V (100)	B	133.4/31.4
R1090	7030003380	S.RES ERJ3GEYJ 331 V (330)	B	116.4/43.1
R1091	7030003380	S.RES ERJ3GEYJ 331 V (330)	T	127.4/14
R1092	7310004820	S.TRI EVM-3YSX50 B33 (302)	T	116.8/24
R1093	7030009861	S.RES ERA3YED 471V (470)	B	112.5/40
R1094	7030006091	S.RES ERA3YED 822V (8.2 k)	T	116/18.6
R1095	7030005321	S.RES ERA3YED 103V (10 k)	B	109.2/40
R1096	7030007661	S.RES ERA3YED 331V (330)	B	105/48.8
R1097	7030007661	S.RES ERA3YED 331V (330)	T	119.8/21.8
R1098	7030007230	S.RES ERA3YED 102V (1 k)	B	110/38.2
R1099	7030007230	S.RES ERA3YED 102V (1 k)	T	116/15.6
R1200	7030007230	S.RES ERA3YED 102V (1 k)	B	102.6/45.9
R1201	7030007230	S.RES ERA3YED 102V (1 k)	B	102.9/42.9
R1202	7030007230	S.RES ERA3YED 102V (1 k)	B	115.9/18.2
R1203	7030007230	S.RES ERA3YED 102V (1 k)	B	115.8/15.5
R1204	7030007230	S.RES ERA3YED 102V (1 k)	B	100.9/11.1
R1205	7030007230	S.RES ERA3YED 102V (1 k)	B	99.2/45.9
R1206	7030003520	S.RES ERJ3GEYJ 472 V (4.7 k)	B	93.8/49.7
R1207	7030003460	S.RES ERJ3GEYJ 152 V (1.5 k)	B	97.9/42.9
R1208	7030011050	S.RES ERA3YHD 100V (10)	B	95.3/48.1
R1209	7030011050	S.RES ERA3YHD 100V (10)	B	97.4/8.8
R1210	7030009851	S.RES ERA3YED 271V (270)	B	92.8/44.6
R1211	7030009851	S.RES ERA3YED 271V (270)	B	95.5/13.6
R1212	7030009841	S.RES ERA3YHD 330V (33)	B	86.3/40.8
R1213	7030009841	S.RES ERA3YHD 330V (33)	B	86.3/16
R1214	7030010980	S.RES ERA3YHD 470V (47)	B	86.3/36.5
R1215	7030010980	S.RES ERA3YHD 470V (47)	B	86.3/20.1
R1310	7030003320	S.RES ERJ3GEYJ 101 V (100)	B	99.4/32.7
R1311	7030003320	S.RES ERJ3GEYJ 101 V (100)	B	98.4/24.1
R1312	7030003320	S.RES ERJ3GEYJ 101 V (100)	B	96.9/32
R1313	7030003320	S.RES ERJ3GEYJ 101 V (100)	T	89/28.9
R1314	7030003680	S.RES ERJ3GEYJ 104 V (100 k)	B	94.9/32.7
R1315	7030003400	S.RES ERJ3GEYJ 471 V (470)	B	96.2/25.2
R1316	7030003630	S.RES ERJ3GEYJ 393 V (39 k)	B	99.6/30.2
R1317	7030003280	S.RES ERJ3GEYJ 470 V (47)	B	100.1/25.7
R1318	7030003220	S.RES ERJ3GEYJ 150 V (15)	B	102.6/27.9
R1319	7030003380	S.RES ERJ3GEYJ 331 V (330)	B	101.8/25.7
R1320	7030003380	S.RES ERJ3GEYJ 331 V (330)	B	103.5/25.7
R1321	7030003560	S.RES ERJ3GEYJ 103 V (10 k)	T	89/30.4
C1	4030007170	S.CER C1608 CH 1H 221J-T	T	108.9/90.2
C2	4030011600	S.CER C1608 JB 1E 104K-T	T	114.2/90.5
C20	4030006900	S.CER C1608 JB 1H 103K-T	T	148/96.5
C21	4030006900	S.CER C1608 JB 1H 103K-T	T	148/80.6
C22	4030006900	S.CER C1608 JB 1H 103K-T	T	114.3/57.3
C23	4030006900	S.CER C1608 JB 1H 103K-T	T	110.7/57.3
C24	4030006900	S.CER C1608 JB 1H 103K-T	T	117.4/72.4
C25	4030006860	S.CER C1608 JB 1H 102K-T	T	125.5/69.6
C26	4030006860	S.CER C1608 JB 1H 102K-T	T	109/61.6
C27	4030006860	S.CER C1608 JB 1H 102K-T	T	118.2/74.3
C30	4030018960	S.CER C3216 JB 1C 106MT-N	B	126.5/56.7
C31	4030017490	S.CER C1608 JB 1A 105K-T	T	143.5/68.9
C32	4030006990	S.CER C1608 CH 1H 080D-T	B	137.6/66.8
C33	4030006860	S.CER C1608 JB 1H 102K-T	T	144/61.9
C34	4030010210	S.CER C3216 JB 1C 105M-T	B	129.2/59.6
C35	4030017490	S.CER C1608 JB 1A 105K-T	T	140.8/57.8
C36	4030006860	S.CER C1608 JB 1H 102K-T	B	125.8/62.1
C37	4030017490	S.CER C1608 JB 1A 105K-T	T	137.2/57.8
C38	4030006860	S.CER C1608 JB 1H 102K-T	T	133.8/57.7
C39	4030018810	S.CER C3216 CH 1H 333J-T	B	119/66
C40	4030007090	S.CER C1608 CH 1H 470J-T	B	113.2/66.5
C41	4550006120	S.TAN TEESVA OG 226M8R	T	141.8/54.9
C42	4550006120	S.TAN TEESVA OG 226M8R	T	136.1/55
C50	4030007100	S.CER C1608 CH 1H 560J-T	B	141.1/77.6
C51	4030017490	S.CER C1608 JB 1A 105K-T	T	137/87
C53	4030017490	S.CER C1608 JB 1A 105K-T	T	137/77.7
C55	4030006860	S.CER C1608 JB 1H 102K-T	B	126.9/86.8
C56	4030017490	S.CER C1608 JB 1A 105K-T	B	128.6/86.8
C58	4030009510	S.CER C1608 CH 1H 010B-T	B	123.7/90.5
C59	4030006860	S.CER C1608 JB 1H 102K-T	B	123.8/85.6
C60	4030010210	S.CER C3216 JB 1C 105M-T	B	123.6/83.7
C62	4030010210	S.CER C3216 JB 1C 105M-T	T	117.6/86.2
C63	4030007010	S.CER C1608 CH 1H 100D-T	B	116.4/82.4
C72	4030006860	S.CER C1608 JB 1H 102K-T	B	127/71.9
C73	4030017490	S.CER C1608 JB 1A 105K-T	B	128.8/71.9
C75	4030009510	S.CER C1608 CH 1H 010B-T	B	123.8/75.8
C76	4030006860	S.CER C1608 JB 1H 102K-T	B	122.7/70
C77	4030010210	S.CER C3216 JB 1C 105M-T	B	123.4/67.5
C79	4030010210	S.CER C3216 JB 1C 105M-T	T	117.6/80
C80	4030018960	S.CER C3216 JB 1C 106MT-N	B	117.6/88.7
C90	4030006900	S.CER C1608 JB 1H 103K-T	T	105.2/81.9
C91	4030006900	S.CER C1608 JB 1H 103K-T	T	107/97.8
C110	4030007080	S.CER C1608 CH 1H 390J-T	T	98.6/88.7
C111	4030007030	S.CER C1608 CH 1H 150J-T	T	98.4/84.1
C112	4030007130	S.CER C1608 CH 1H 101J-T	T	94.6/85.6
C113	4030007060	S.CER C1608 CH 1H 270J-T	T	97.7/82.2
C114	4030007080	S.CER C1608 CH 1H 390J-T	B	86.6/88.7
C115	4030007170	S.CER C1608 CH 1H 221J-T	B	83.5/88.7
C116	4030007130	S.CER C1608 CH 1H 101J-T	T	92.6/81.5
C117	4030007100	S.CER C1608 CH 1H 560J-T	B	85.1/87.2
C119	4030007050	S.CER C1608 CH 1H 220J-T	T	98.6/89.9
C120	4030007020	S.CER C1608 CH 1H 120J-T	T	94.6/87.1
C130	4030006860	S.CER C1608 JB 1H 102K-T	T	73.1/95.8
C131	4030006900	S.CER C1608 JB 1H 103K-T	B	88.2/73.9
C132	4030007140	S.CER C1608 CH 1H 121J-T	B	78.1/75.1
C133	4030006900	S.CER C1608 JB 1H 103K-T	T	72.6/98.4

[RF-A UNIT]

REF NO.	ORDER NO.	DESCRIPTION	M.	H/V LOCATION
C134	4030007170	S.CER C1608 CH 1H 221J-T	B	78.1/76.6
C135	4030007110	S.CER C1608 CH 1H 680J-T	T	67.1/74.3
C136	4030006900	S.CER C1608 JB 1H 103K-T	B	69.9/96.6
C137	4030007040	S.CER C1608 CH 1H 180J-T	T	71/67.4
C138	4030006900	S.CER C1608 JB 1H 103K-T	T	66.4/98.1
C139	4030006900	S.CER C1608 JB 1H 103K-T	T	61.7/89.8
C144	4030007020	S.CER C1608 CH 1H 120J-T	T	67.1/73.1
C146	4030011600	S.CER C1608 JB 1E 104K-T	T	81.7/94.8
C150	4030011600	S.CER C1608 JB 1E 104K-T	B	50.6/86.5
C151	4030006880	S.CER C1608 JB 1H 472K-T	B	32.8/81.7
C152	4030011600	S.CER C1608 JB 1E 104K-T	T	36.1/88.3
C170	4030006900	S.CER C1608 JB 1H 103K-T	T	50.7/92
C171	4030009530	S.CER C1608 CH 1H 030B-T	T	48.4/95.7
C172	4030011600	S.CER C1608 JB 1E 104K-T	T	50.7/97.6
C174	4030011600	S.CER C1608 JB 1E 104K-T	T	39.6/94.6
C175	4030011600	S.CER C1608 JB 1E 104K-T	B	43.3/89.2
C190	4030007090	S.CER C1608 CH 1H 470J-T	T	29.5/91.5
C191	4030006900	S.CER C1608 JB 1H 103K-T	T	30.7/91.5
C192	4030011600	S.CER C1608 JB 1E 104K-T	T	37.1/93.1
C193	4030006900	S.CER C1608 JB 1H 103K-T	T	37.1/94.3
C194	4030007050	S.CER C1608 CH 1H 220J-T	T	25.9/94.4
C195	4030006900	S.CER C1608 JB 1H 103K-T	B	30.1/93.6
C196	4030011600	S.CER C1608 JB 1E 104K-T	T	26.3/91
C197	4030006900	S.CER C1608 JB 1H 103K-T	T	25.1/82.2
C198	4030007010	S.CER C1608 CH 1H 100D-T	T	25.1/87.3
C199	4030011600	S.CER C1608 JB 1E 104K-T	T	25.1/88.5
C210	4030006900	S.CER C1608 JB 1H 103K-T	T	68.3/67.4
C211	4030007110	S.CER C1608 CH 1H 680J-T	T	72.1/65.8
C212	4030006860	S.CER C1608 JB 1H 102K-T	B	67.3/66
C213	4030006860	S.CER C1608 JB 1H 102K-T	B	67.3/63.7
C214	4030006900	S.CER C1608 JB 1H 103K-T	T	63.9/66.3
C215	4030007120	S.CER C1608 CH 1H 820J-T	B	55.1/73.3
C216	4030007120	S.CER C1608 CH 1H 820J-T	B	55.2/65.2
C217	4030011340	S.CER C1608 CH 1H 471J-T	T	72.1/64.6
C218	4030007110	S.CER C1608 CH 1H 680J-T	T	69.5/64.6
C290	4030007100	S.CER C1608 CH 1H 560J-T	T	89.3/61.6
C291	4030007000	S.CER C1608 CH 1H 090D-T	T	88.6/63.5
C292	4030007120	S.CER C1608 CH 1H 820J-T	T	87.9/61.6
C293	4030007050	S.CER C1608 CH 1H 220J-T	T	86.4/62.7
C294	4030007080	S.CER C1608 CH 1H 390J-T	T	84.8/59.3
C295	4030007100	S.CER C1608 CH 1H 560J-T	T	80.9/61.3
C296	4030011340	S.CER C1608 CH 1H 471J-T	T	77.9/59.1
C297	4030007070	S.CER C1608 CH 1H 330J-T	T	75.9/59.8
C298	4030007150	S.CER C1608 CH 1H 151J-T	T	75.9/58.5
C299	4030007110	S.CER C1608 CH 1H 680J-T	T	73.3/59.8
C316	4510008540	S.ELE EEE1CA100SR	T	141.3/5.1
C317	4030011600	S.CER C1608 JB 1E 104K-T	B	141/6
C318	4030011600	S.CER C1608 JB 1E 104K-T	B	141/3.4
C319	4510008500	S.ELE EEE1CA101WP	T	147.3/5.2
C321	4030011600	S.CER C1608 JB 1E 104K-T	T	59.7/62.1
C322	4030011600	S.CER C1608 JB 1E 104K-T	B	64/57.6
C323	4030007000	S.CER C1608 CH 1H 090D-T	T	60.5/54.9
C324	4030006900	S.CER C1608 JB 1H 103K-T	T	64.1/55.6
C380	4030006900	S.CER C1608 JB 1H 103K-T	T	32/76.9
C381	4030006860	S.CER C1608 JB 1H 102K-T	T	30.2/68.5
C382	4030006860	S.CER C1608 JB 1H 102K-T	T	28.4/68.5
C383	4030006860	S.CER C1608 JB 1H 102K-T	T	26.6/75.3
C384	4030006860	S.CER C1608 JB 1H 102K-T	T	32/75.3
C400	4030006900	S.CER C1608 JB 1H 103K-T	T	42.2/68
C401	4030009910	S.CER C1608 CH 1H 040B-T	T	44.5/66.4
C402	4030007030	S.CER C1608 CH 1H 150J-T	T	40.8/49.6
C403	4030009910	S.CER C1608 CH 1H 040B-T	T	43.9/46.6
C404	4030006900	S.CER C1608 JB 1H 103K-T	T	42.8/34.9
C405	4030007060	S.CER C1608 CH 1H 270J-T	T	44.5/57.6
C406	4030011770	S.CER C1608 CH 1H 060B-T	T	40.8/53.4
C407	4030007060	S.CER C1608 CH 1H 270J-T	T	43.9/45.4
C420	4030006900	S.CER C1608 JB 1H 103K-T	T	33.1/70.2
C421	4030009920	S.CER C1608 CH 1H 050B-T	T	35.9/58.6
C422	4030007020	S.CER C1608 CH 1H 120J-T	T	35.9/59.8
C423	4030009920	S.CER C1608 CH 1H 050B-T	T	32.2/55.6
C424	4030009920	S.CER C1608 CH 1H 050B-T	T	32.2/51.8
C425	4030009920	S.CER C1608 CH 1H 050B-T	T	35.3/48.8
C426	4030007020	S.CER C1608 CH 1H 120J-T	T	35.3/47.6
C427	4030006900	S.CER C1608 JB 1H 103K-T	T	35.6/36.6
C440	4030006900	S.CER C1608 JB 1H 103K-T	T	26/68.5

[RF-A UNIT]

REF NO.	ORDER NO.	DESCRIPTION	M.	H/V LOCATION
C500	4030006860	S.CER C1608 JB 1H 102K-T	B	28/35.8
C501	4030006860	S.CER C1608 JB 1H 102K-T	B	28/31.5
C502	4030006860	S.CER C1608 JB 1H 102K-T	B	26/31.5
C503	4030006860	S.CER C1608 JB 1H 102K-T	B	26/35.8
C504	4030006900	S.CER C1608 JB 1H 103K-T	T	26.3/28.9
C520	4030010000	S.CER C1608 CH 1H 510J-T	T	20.1/23.2
C521	4030007140	S.CER C1608 CH 1H 121J-T	T	18.1/23.2
C523	4030006900	S.CER C1608 JB 1H 103K-T	T	15.7/21.1
C550	4030011600	S.CER C1608 JB 1E 104K-T	B	4.4/10.8
C551	4030011600	S.CER C1608 JB 1E 104K-T	B	6.2/10.8
C552	4030007010	S.CER C1608 CH 1H 100D-T	B	10.2/18
C553	4030006900	S.CER C1608 JB 1H 103K-T	B	3.6/16.4
C580	4030006980	S.CER C1608 CH 1H 070D-T	B	10.7/12
C581	4030006900	S.CER C1608 JB 1H 103K-T	B	10.7/10.2
C582	4030006900	S.CER C1608 JB 1H 103K-T	B	10.7/5.2
C583	4030007080	S.CER C1608 CH 1H 390J-T	B	24.5/8.3
C584	4030017810	S.CER C1608 CH 1H 102J-T	B	18.7/7.1
C585	4030006960	S.CER C1608 CH 1H 050C-T	B	27.8/10.9
C602	4030006900	S.CER C1608 JB 1H 103K-T	T	39.2/5.5
C611	4030007060	S.CER C1608 CH 1H 270J-T	T	35.7/3.2
C612	4030010760	S.CER C1608 CH 1H 331J-T	T	34.4/3.2
C613	4030007130	S.CER C1608 CH 1H 101J-T	T	30.9/8
C614	4030007130	S.CER C1608 CH 1H 101J-T	T	30.9/3.5
C620	4030006860	S.CER C1608 JB 1H 102K-T	B	19.4/9
C621	4030011600	S.CER C1608 JB 1E 104K-T	B	19.5/3.9
C622	4030011600	S.CER C1608 JB 1E 104K-T	T	26.9/4.5
C623	4550003210	S.TAN TEESVD21D226M12R	T	87.9/5.3
C624	4030011600	S.CER C1608 JB 1E 104K-T	B	82.6/7.1
C625	4030011600	S.CER C1608 JB 1E 104K-T	B	82.7/4.2
C626	4510008540	S.ELE EEE1CA100SR	T	93.2/5.4
C640	4030011600	S.CER C1608 JB 1E 104K-T	T	45.8/6.8
C642	4030007100	S.CER C1608 CH 1H 560J-T	T	43.3/4.2
C643	4510008540	S.ELE EEE1CA100SR	T	52/5.8
C644	4030006990	S.CER C1608 CH 1H 080D-T	T	44.5/4.2
C660	4030007100	S.CER C1608 CH 1H 560J-T	T	49.9/2.4
C671	4030007090	S.CER C1608 CH 1H 470J-T	T	55.6/4.4
C672	4030011600	S.CER C1608 JB 1E 104K-T	T	56.6/9
C673	4030011600	S.CER C1608 JB 1E 104K-T	T	58.4/9.1
C701	4030006900	S.CER C1608 JB 1H 103K-T	B	64.8/8.5
C705	4030006900	S.CER C1608 JB 1H 103K-T	B	58.9/7.4
C706	4030006900	S.CER C1608 JB 1H 103K-T	T	63.1/3.8
C707	4030006900	S.CER C1608 JB 1H 103K-T	T	63.1/7.6
C708	4030006900	S.CER C1608 JB 1H 103K-T	T	66.1/5
C709	4030007080	S.CER C1608 CH 1H 390J-T	T	66.6/2.9
C710	4030007110	S.CER C1608 CH 1H 680J-T	T	65.3/2.9
C730	4030007120	S.CER C1608 CH 1H 820J-T	T	47.4/20.8
C731	4030007020	S.CER C1608 CH 1H 120J-T	T	49.3/21.3
C732	4030007140	S.CER C1608 CH 1H 121J-T	T	47.4/22
C733	4030007070	S.CER C1608 CH 1H 330J-T	T	50.5/23.3
C734	4030007110	S.CER C1608 CH 1H 680J-T	T	48/24.7
C735	4030011600	S.CER C1608 JB 1E 104K-T	T	38.1/24.1
C736	4030007050	S.CER C1608 CH 1H 220J-T	T	46.6/24.7
C737	4030007110	S.CER C1608 CH 1H 680J-T	T	42.5/24.8
C738	4030006900	S.CER C1608 JB 1H 103K-T	T	38.1/18.7
C740	4030006900	S.CER C1608 JB 1H 103K-T	T	38.1/21.4
C800	4030006900	S.CER C1608 JB 1H 103K-T	T	108.3/11.1
C801	4030011340	S.CER C1608 CH 1H 471J-T	B	116.3/8.3
C802	4030006900	S.CER C1608 JB 1H 103K-T	B	150.9/9.1
C803	4030011340	S.CER C1608 CH 1H 471J-T	B	118.5/8.3
C804	4030006900	S.CER C1608 JB 1H 103K-T	T	151.6/35
C805	4030011340	S.CER C1608 CH 1H 471J-T	B	121.3/9.5
C806	4030011600	S.CER C1608 JB 1E 104K-T	T	155.6/46.8
C807	4030011600	S.CER C1608 JB 1E 104K-T	T	155.6/39
C850	4510008540	S.ELE EEE1CA100SR	T	154.6/12.1
C851	4030011600	S.CER C1608 JB 1E 104K-T	B	154.7/11.7
C852	4030011600	S.CER C1608 JB 1E 104K-T	B	154.4/18.3
C853	4510008500	S.ELE EEE1CA101WP	T	153.9/18.2
C903	4030011600	S.CER C1608 JB 1E 104K-T	T	137.1/16
C905	4030011600	S.CER C1608 JB 1E 104K-T	B	142.5/21.6
C950	4030017810	S.CER C1608 CH 1H 102J-T	T	130.3/23.6
C951	4030011600	S.CER C1608 JB 1E 104K-T	T	133.6/12.3
C952	4030011600	S.CER C1608 JB 1E 104K-T	T	128.5/20.1
C956	4030011600	S.CER C1608 JB 1E 104K-T	T	137.3/34.1
C957	4030011600	S.CER C1608 JB 1E 104K-T	T	129.2/28
C1000	4030007050	S.CER C1608 CH 1H 220J-T	B	147.9/32
C1001	4030011600	S.CER C1608 JB 1E 104K-T	B	145.3/29.3
C1002	4510008500	S.ELE EEE1CA101WP	T	142.4/26.3
C1003	4510008500	S.ELE EEE1CA101WP	T	142.3/33.7
C1004	4030017870	S.CER C1608 CH 1H 681J-T	B	141.5/27.8
C1005	4030011600	S.CER C1608 JB 1E 104K-T	B	137.2/33.9
C1011	4030007110	S.CER C1608 CH 1H 680J-T	T	66/7.7
C1012	4030006900	S.CER C1608 JB 1H 103K-T	T	66/9
C1013	4030011600	S.CER C1608 JB 1E 104K-T	T	64.7/12.9
C1014	4030011600	S.CER C1608 JB 1E 104K-T	T	72.7/12.1
C1015	4030011600	S.CER C1608 JB 1E 104K-T	T	66.8/15.2
C1016	4030006900	S.CER C1608 JB 1H 103K-T	T	72/14.7
C1021	4030006900	S.CER C1608 JB 1H 103K-T	T	74.4/22.5
C1022	4030011600	S.CER C1608 JB 1E 104K-T	T	68.2/20.5
C1023	4030011600	S.CER C1608 JB 1E 104K-T	T	70.5/25.4
C1024	4030011600	S.CER C1608 JB 1E 104K-T	T	64.1/20
C1025	4030006900	S.CER C1608 JB 1H 103K-T	T	66.1/25.6
C1030	4510008540	S.ELE EEE1CA100SR	T	76.4/43.8
C1031	4030011600	S.CER C1608 JB 1E 104K-T	B	76.5/40.3
C1032	4030011600	S.CER C1608 JB 1E 104K-T	B	72.5/47.1
C1033	4510008540	S.ELE EEE1CA100SR	T	71.5/44.2
C1034	4030011600	S.CER C1608 JB 1E 104K-T	T	68.9/35.2
C1035	4030007120	S.CER C1608 CH 1H 820J-T	T	70.3/36.5
C1036	4510008500	S.ELE EEE1CA101WP	T	58.8/28
C1037	4030011600	S.CER C1608 JB 1E 104K-T	T	67.8/32.6
C1038	4030006860	S.CER C1608 JB 1H 102K-T	T	70.3/32
C1039	4030011600	S.CER C1608 JB 1E 104K-T	T	76.9/34.2
C1040	4030011600	S.CER C1608 JB 1E 104K-T	T	76.9/35.4
C1041	4030006900	S.CER C1608 JB 1H 103K-T	T	73.8/30.4
C1044	4030011600	S.CER C1608 JB 1E 104K-T	B	74.3/29.4

[RF-A UNIT]

REF NO.	ORDER NO.	DESCRIPTION	M.	H/V LOCATION
C1047	4030008880	S.CER C1608 JB 1H 223K-T	B	73.9/39
C1048	4510008540	S.ELE EEE1CA100SR	T	66.7/43.8
C1049	4030007130	S.CER C1608 CH 1H 101J-T	B	75.7/37.3
C1050	4030008880	S.CER C1608 JB 1H 223K-T	B	71.3/29.3
C1060	4030011600	S.CER C1608 JB 1E 104K-T	B	132/36
C1061	4030007150	S.CER C1608 CH 1H 151J-T	B	118.7/34.1
C1063	4030017870	S.CER C1608 CH 1H 681J-T	B	118.7/29.3
C1064	4030011330	S.CER C1608 CH 1H 391J-T	B	118.7/27.7
C1065	4510008500	S.ELE EEE1CA101WP	T	121.9/37.1
C1066	4030011600	S.CER C1608 JB 1E 104K-T	T	124.5/31.5
C1067	4030011600	S.CER C1608 JB 1E 104K-T	B	131.6/31.4
C1068	4510008500	S.ELE EEE1CA101WP	T	122.6/27.3
C1090	4030007050	S.CER C1608 CH 1H 220J-T	T	115.6/45
C1091	4030007050	S.CER C1608 CH 1H 220J-T	B	128.2/19.6
C1092	4030011600	S.CER C1608 JB 1E 104K-T	B	115.6/45.2
C1093	4030011600	S.CER C1608 JB 1E 104K-T	B	128.3/17.1
C1094	4510008540	S.ELE EEE1CA100SR	T	112.5/45.3
C1095	4510008540	S.ELE EEE1CA100SR	T	124.8/17.5
C1096	4510008540	S.ELE EEE1CA100SR	T	107.5/45.4
C1097	4030007110	S.CER C1608 CH 1H 680J-T	B	122.8/21.3
C1098	4030007110	S.CER C1608 CH 1H 680J-T	B	110/41.5
C1099	4510008540	S.ELE EEE1CA100SR	T	119.9/17.5
C1100	4030011600	S.CER C1608 JB 1E 104K-T	B	107.7/48.8
C1101	4030011600	S.CER C1608 JB 1E 104K-T	B	119.1/21.9
C1200	4030011600	S.CER C1608 JB 1E 104K-T	B	101.2/42.9
C1201	4510008540	S.ELE EEE1CA100SR	T	94.8/45.8
C1202	4030008880	S.CER C1608 JB 1H 223K-T	B	99.3/47.5
C1203	4030008880	S.CER C1608 JB 1H 223K-T	B	112.8/17.9
C1204	4030010760	S.CER C1608 CH 1H 331J-T	B	99.6/42.9
C1205	4030010760	S.CER C1608 CH 1H 331J-T	B	101.2/13.6
C1206	4030007010	S.CER C1608 CH 1H 100D-T	B	92.8/47.3
C1207	4030007010	S.CER C1608 CH 1H 100D-T	B	95.5/10.8
C1208	4030017480	S.CER C1608 JB 1A 474K-T	B	96.2/42.9
C1209	4030017480	S.CER C1608 JB 1A 474K-T	B	97.4/14.2
C1210	4030006900	S.CER C1608 JB 1H 103K-T	B	94.6/42.9
C1211	4030006900	S.CER C1608 JB 1H 103K-T	B	99.3/14.2
C1212	4550007660	S.TAN F931E105MAABMA	B	87.6/44.4
C1213	4550007660	S.TAN F931E105MAABMA	B	87.3/13.5
C1214	4030018640	S.CER C2012 CH 1H 103J-T	B	88.5/35.5
C1215	4030018640	S.CER C2012 CH 1H 103J-T	B	88.5/21
C1216	4030011600	S.CER C1608 JB 1E 104K-T	B	101.2/8.9
C1255	4030007120	S.CER C1608 CH 1H 820J-T	B	79.2/28.5
C1256	4030007120	S.CER C1608 CH 1H 820J-T	B	79.3/20.8
C1310	4030006900	S.CER C1608 JB 1H 103K-T	B	85.8/30.9
C1311	4030011600	S.CER C1608 JB 1E 104K-T	T	90.4/32.3
C1312	4030017810	S.CER C1608 CH 1H 102J-T	B	99.2/35.7
C1313	4030017810	S.CER C1608 CH 1H 102J-T	B	98.6/21.1
C1314	4610001970	S.TRI TZC3P200A1110R0U	T	85.5/29.3
C1315	4030007050	S.CER C1608 CH 1H 220J-T	T	85.5/25.8
C1316	4030006860	S.CER C1608 JB 1H 102K-T	B	96.2/28.2
C1317	4030011600	S.CER C1608 JB 1E 104K-T	B	94.2/24.7
C1318	4030006900	S.CER C1608 JB 1H 103K-T	B	102.2/30.2
C1319	4550007200	S.TAN F930J476MBABMA	B	91.3/28.4
C1320	4030006900	S.CER C1608 JB 1H 103K-T	B	93.6/32.3
RL20	6330001721	RLY ATN207-K1		
RL21	6330001721	RLY ATN207-K1		
RL90	6330001721	RLY ATN207-K1		
RL91	6330001721	RLY ATN207-K1		
J1	6510007020	CNR TMP-J01X-V6		
J2	6510007020	CNR TMP-J01X-V6		
J190	6510007020	CNR TMP-J01X-V6		
J210	6510007020	CNR TMP-J01X-V6		
J290	6510007020	CNR TMP-J01X-V6		
J500	6510007020	CNR TMP-J01X-V6		
J671	6510007020	CNR TMP-J01X-V6		
J730	6510007020	CNR TMP-J01X-V6		
J800	6510019981	S.CNR 52808-1671 (1690)	T	116/5.8
J900	6510018961	S.CNR B2B-PH-SM4-TB (LF) (SN)	T	152.9/27.8
J1310	6510007020	CNR TMP-J01X-V6		
EP130	6910014730	S.BEA MPZ2012S331A-T	B	91.1/75.4
EP401	6910002161	CAS CASE-BM7H-LF		
EP402	6910002161	CAS CASE-BM7H-LF		
EP421	6910002161	CAS CASE-BM7H-LF		
EP422	6910002161	CAS CASE-BM7H-LF		
EP441	6910002161	CAS CASE-BM7H-LF		
EP442	6910002161	CAS CASE-BM7H-LF		
EP461	6910002161	CAS CASE-BM7H-LF		
EP462	6910002161	CAS CASE-BM7H-LF		
EP481	6910002161	CAS CASE-B		

[RF-B UNIT]

REF NO.	ORDER NO.	DESCRIPTION	M.	H/V LOCATION
IC801	1110006180	S.IC UPG2009TB-E3	T	43.1/114.5
IC802	1110006180	S.IC UPG2009TB-E3	T	41.8/80.8
IC1201	1110006970	S.IC MAALSS0038TR	T	29.7/99
IC1202	1110007090	S.IC NJG1608KB2-TE1-#ZZZB	T	26.2/58.2
IC1203	1110007090	S.IC NJG1608KB2-TE1-#ZZZB	T	29.6/71.2
IC1204	1110007090	S.IC NJG1608KB2-TE1-#ZZZB	T	29.6/65.4
IC1241	1110006970	S.IC MAALSS0038TR	T	44.5/70.2
IC1251	1110006970	S.IC MAALSS0038TR	T	51.6/64
IC1302	1110006970	S.IC MAALSS0038TR	T	103/9.8
IC1601	1180001071	S.IC TA7805F (TE16L,Q)	B	8.3/110.8
IC1602	1180001071	S.IC TA7805F (TE16L,Q)	B	152.6/28.7
IC1603	1130011530	S.IC CD74HC4094M96	B	135.5/54.7
IC1604	1130011530	S.IC CD74HC4094M96	B	135.5/42.9
IC1605	1130011530	S.IC CD74HC4094M96	B	7.4/79.9
IC1607	1130005721	S.IC TCTW04F (TE12L,F)	T	99.5/51.6
IC1608	1180001251	S.IC TA7808F (TE16L,Q)	B	161.1/41.1
IC1701	1110002700	S.IC NJM2904M-TE1-#FMZB	T	86.6/50.7
IC1703	1160000131	S.IC TD62783AFG (5,S,EL)	T	123.4/52.9
IC5004	1180002770	S.REG BAJ0CC0FFP-E2	B	151.5/63.2
Q1201	1590003630	S.TR EMD29-T2R	T	22.5/92.5
Q1202	1590003520	S.TR BCR108T	T	
		except [FRA], [AUS], [CHN]	T	18.3/78.3
	1590003940	S.TR RN1105 (TE85L,F)	T	18.3/78.3
		[FRA], [AUS], [CHN]	T	56.9/71.1
Q1241	1590003630	S.TR EMD29-T2R	T	74.2/52.2
Q1251	1590003530	S.TR BCR08PN	T	74.2/52.2
		except [FRA], [AUS], [CHN]	T	74.2/49.1
	1590003930	S.TR UMD22N TR [FRA], [AUS], [CHN]	T	74.2/49.1
	1590003530	S.TR BCR08PN	T	74.2/49.1
		except [FRA], [AUS], [CHN]	T	74.2/45.9
Q1253	1590003530	S.TR BCR08PN	T	74.2/45.9
		except [FRA], [AUS], [CHN]	T	74.1/55
Q1254	1590003930	S.TR UMD22N TR [FRA], [AUS], [CHN]	T	106.9/23.1
Q1302	1590003530	S.TR EMD29-T2R	T	106.9/23.1
		except [FRA], [AUS], [CHN]	T	104.4/23.1
	1590003930	S.TR UMD22N TR [FRA], [AUS], [CHN]	T	104.4/23.1
	1590003530	S.TR BCR08PN	T	135.3/39.2
		except [FRA], [AUS], [CHN]	T	135.3/39.2
Q1402	1590003930	S.TR UMD22N TR [FRA], [AUS], [CHN]	T	130.3/39.2
	1590003530	S.TR BCR08PN	T	130.3/39.2
		except [FRA], [AUS], [CHN]	T	132.8/39.2
Q1403	1590003930	S.TR UMD22N TR [FRA], [AUS], [CHN]	T	132.8/39.2
	1590003530	S.TR BCR08PN	T	154.2/37.6
		except [FRA], [AUS], [CHN]	T	160.1/39.1
	1590003940	S.TR RN1105 (TE85L,F)	T	160.1/39.1
		[FRA], [AUS], [CHN]	T	
D101	1790001621	S.DIO 1SV308 (TPL3,F)	B	139.1/112.4
D106	1790001621	S.DIO 1SV308 (TPL3,F)	B	136.7/72.7
D201	1790001621	S.DIO 1SV308 (TPL3,F)	B	137.4/111.6
D206	1790001621	S.DIO 1SV308 (TPL3,F)	B	134.8/73.4
D301	1790001621	S.DIO 1SV308 (TPL3,F)	B	123.5/111.6
D306	1790001621	S.DIO 1SV308 (TPL3,F)	B	121.7/73.4
D401	1790001621	S.DIO 1SV308 (TPL3,F)	B	108.3/111.7
D407	1790001621	S.DIO 1SV308 (TPL3,F)	B	108.8/73.5
D501	1790001621	S.DIO 1SV308 (TPL3,F)	B	94.5/111.6
D507	1790001621	S.DIO 1SV308 (TPL3,F)	B	95.1/73.5
D601	1790001621	S.DIO 1SV308 (TPL3,F)	B	82.2/111.7
D606	1790001621	S.DIO 1SV308 (TPL3,F)	B	79.2/72.8
D607	1790001621	S.DIO 1SV308 (TPL3,F)	B	84.8/112.5
D608	1790001621	S.DIO 1SV308 (TPL3,F)	B	82.5/72
D701	1790001621	S.DIO 1SV308 (TPL3,F)	B	75.7/112.5
D702	1790001621	S.DIO 1SV308 (TPL3,F)	B	74/111.7
D707	1790001621	S.DIO 1SV308 (TPL3,F)	B	67.5/73.3
D708	1790001621	S.DIO 1SV308 (TPL3,F)	B	67.5/72
D802	1790001621	S.DIO 1SV308 (TPL3,F)	B	59.6/111.1
D809	1790001621	S.DIO 1SV308 (TPL3,F)	B	55.6/76.9
D831	1750000461	S.DIO 1SV246-TL-E	B	42.7/75.2
D1204	1750001051	S.VCP HVC417CTRU-E	T	25.3/80.2
D1205	1750001051	S.VCP HVC417CTRU-E	T	22.8/80.2
D1206	1750001051	S.VCP HVC417CTRU-E	T	26.5/81.5
D1207	1750001051	S.VCP HVC417CTRU-E	T	22.9/81.5
D1251	1790001621	S.DIO 1SV308 (TPL3,F)	T	63.1/60.6
D1252	1790001621	S.DIO 1SV308 (TPL3,F)	T	61.8/60.6
D1253	1790001621	S.DIO 1SV308 (TPL3,F)	T	60.5/60.6
D1256	1720000261	S.VCP 1SV214 (TPH2,F)	T	44.2/48.7
D1257	1720000261	S.VCP 1SV214 (TPH2,F)	T	45.8/46.4
D1258	1790001621	S.DIO 1SV308 (TPL3,F)	T	61.2/45.9
D1259	1790001621	S.DIO 1SV308 (TPL3,F)	T	59.2/46.7
D1260	1790001621	S.DIO 1SV308 (TPL3,F)	T	39.8/47.1
D1261	1790001621	S.DIO 1SV308 (TPL3,F)	T	39.8/45.9
D1301	1790001621	S.DIO 1SV308 (TPL3,F)	B	63.7/20.1
D1302	1790001621	S.DIO 1SV308 (TPL3,F)	T	62.4/22.7
D1303	1790001621	S.DIO 1SV308 (TPL3,F)	B	98.8/13.2
D1304	1790001621	S.DIO 1SV308 (TPL3,F)	B	100.6/14
D1601	1750000520	S.DIO DAN222TL	T	142.6/42.5
D1602	1750000520	S.DIO DAN222TL	T	107.4/46
D1603	1750000520	S.DIO DAN222TL	T	102.1/45.8
FI1315	4580000210	FIL FL-403		
FI1316	4580000210	FIL FL-403		

[RF-B UNIT]

REF NO.	ORDER NO.	DESCRIPTION	M.	H/V LOCATION
L101	6200003261	S.COL NLV32T-101J	B	153.5/106.9
L102	6200010530	S.COL C2520C-R56G-A (0.56U)	T	152/104.4
L103	6200011450	S.COL C2520C-R39G-A	T	151.5/100.8
L104	6200010870	S.COL C2520C-R33G-A (0.33U)	T	152/97.1
L105	6200010670	S.COL C2520C-R18G-A (0.18U)	T	147.7/91.5
L106	6200010660	S.COL C2520C-R15G-A (0.15U)	T	148.5/87.9
L107	6200010860	S.COL C2520C-R10G-A (0.1U)	T	148.1/84.1
L110	6200003261	S.COL NLV32T-101J	B	151/77.7
L201	6200003261	S.COL NLV32T-101J	B	140.2/106.9
L202	6200010870	S.COL C2520C-R33G-A (0.33U)	T	138.9/104.6
L203	6200010680	S.COL C2520C-R22G-A (0.22U)	T	138.3/100.7
L204	6200010670	S.COL C2520C-R18G-A (0.18U)	T	138.8/97
L205	6200010650	S.COL C2520C-R12G-A (0.12U)	T	134.6/91.3
L206	6200010860	S.COL C2520C-R10G-A (0.1U)	T	135.4/87.8
L207	6200010730	S.COL C2520C-68NG-A	T	134.8/84.1
L210	6200003261	S.COL NLV32T-101J	B	137.5/78.3
L301	6200003261	S.COL NLV32T-101J	B	126.5/106.9
L302	6200010670	S.COL C2520C-R18G-A (0.18U)	T	125.1/104.5
L303	6200010650	S.COL C2520C-R12G-A (0.12U)	T	124.7/100.7
L304	6200010650	S.COL C2520C-R12G-A (0.12U)	T	125.2/96.9
L305	6200011410	S.COL C2520C-82NG-A	T	
		except [FRA], [AUS], [CHN]	T	120.5/91.4
	6200012990	S.COL 0.25-1.9-9TL 84.0N <COMO>	T	120.5/91.4
		[FRA], [AUS], [CHN]	T	
L306	6200010730	S.COL C2520C-68NG-A	T	121.3/87.7
		except [FRA], [AUS], [CHN]	T	121.3/87.7
	6200012450	S.COL 0.25-1.9-8TL 73N (COAT) <COMO>	T	121.3/87.7
		[FRA], [AUS], [CHN]	T	
L307	6200010720	S.COL C2520C-56NG-A	T	121/84.1
		[FRA], [AUS], [CHN]	T	
	6200011800	S.COL C2520C-47NG-A	T	121/84.1
		except [FRA], [AUS], [CHN]	T	124.2/78.3
L310	6200003261	S.COL NLV32T-101J	B	111.2/106.9
L401	620001831	S.COL NLV32T-100J	T	109.9/104.4
L402	6200010670	S.COL C2520C-R18G-A (0.18U)	T	110.6/100.7
L403	6200010860	S.COL C2520C-R10G-A (0.1U)	T	109.9/97.1
L404	6200011410	S.COL C2520C-82NG-A	T	106.9/90.1
L405	6200010720	S.COL C2520C-56NG-A	T	107.7/86.5
L406	6200011800	S.COL C2520C-47NG-A	T	107.3/82.8
L407	6200012360	S.COL C2520C-33NG-A	T	111.7/77.8
L411	620001831	S.COL NLV32T-100J	B	97.4/107
L501	620001831	S.COL NLV32T-100J	B	96/104.5
L502	6200011410	S.COL C2520C-82NG-A	T	96.8/100.8
L503	6200010720	S.COL C2520C-56NG-A	T	96.1/97
L504	6200011800	S.COL C2520C-47NG-A	T	92.9/90.1
L505	6200012360	S.COL C2520C-33NG-A	T	93.7/86.4
L506	6200010760	S.COL C2520C-27NG-A	T	93.7/82.7
L507	6200010590	S.COL C2520C-22NG-A	T	96.6/79.6
L511	620001831	S.COL NLV32T-100J	B	86.9/107.2
L601	6200003331	S.COL NLV32T-1R0J	B	79.6/105.8
L602	6200010940	S.COL C2520C-39NG-A	T	80.3/101.9
L603	6200010760	S.COL C2520C-27NG-A	T	79.3/98
L604	6200010760	S.COL C2520C-27NG-A	T	82.8/94
L605	6200010760	S.COL C2520C-27NG-A	T	82.9/87.7
L606	6200010590	S.COL C2520C-22NG-A	T	82.4/84
L607	6200010030	S.COL C2012C-15NG-A	B	84.4/76.4
L611	6200003331	S.COL NLV32T-1R0J	B	64.8/105.6
L701	6200010760	S.COL C2520C-27NG-A	B	73.5/105.6
L702	6200003331	S.COL NLV32T-1R0J	B	66.2/101.7
L703	6200010590	S.COL C2520C-22NG-A	T	64.9/97.8
L704	6200012140	S.COL C2520C-18NG-A	T	68.1/94.2
L705	6200012140	S.COL C2520C-18NG-A	T	67.6/87.7
L706	6200010030	S.COL C2012C-15NG-A	T	67.8/83.7
L707	6200011690	S.COL C2520C-12NG-A	T	71.2/76.9
L713	6200003331	S.COL NLV32T-1R0J	B	59.5/105.4
L801	6200003331	S.COL NLV32T-1R0J	B	
L802	6200009070	S.COL LQW18AN18NG00D (LQW1608A18NG00)	T	52.5/104.6
L803	6200009220	S.COL LQW18AN15NG00D (LQW1608A15NG00)	T	52.8/101.3
L804	6200010700	S.COL LQW18AN12NG00D	T	52.1/98.3
L805	6200010700	S.COL LQW18AN12NG00D	T	56.8/94.1
L806	6200011730	S.COL LQW18AN10NG00D	T	56.9/81
L807	6200010130	S.COL LQW18AN6N8C00D	T	55.6/88.6
L811	6200003331	S.COL NLV32T-1R0J	B	56.5/79.9
L901	6200009220	S.COL LQW18AN15NG00D (LQW1608A15NG00)	T	38.3/104.3
L902	6200011730	S.COL LQW18AN10NG00D	T	39.2/101.2
L903	6200010630	S.COL LQW18AN8N2D00D	T	38.4/98.1
L904	6200010630	S.COL LQW18AN8N2D00D	T	42.8/93.8
L905	6200010130	S.COL LQW18AN6N8C00D	T	42.1/91.5
L906	6200010120	S.COL LQW18AN5N6C00D	T	40.9/87.4
L1201	6200001831	S.COL NLV32T-100J	T	24.6/96.8
L1203	6200005641	S.COL ELJRE 6N8ZFA	T	27.9/80.2
L1204	6200005621	S.COL ELJRE 4N7ZFA	T	28.7/82.3
L1205	6200006771	S.COL ELJRE 1N5ZFA	T	29.3/88.3
L1207	6200006781	S.COL ELJRE 1N8ZFA	T	28.7/90.4
L1212	6200010940	S.COL C2520C-39NG-A	T	28.3/96
L1231	6200005611	S.COL ELJRE 3N9ZFA	T	26.4/68.3
L1241	6200010670	S.COL C2520C-R18G-A (0.18U)	T	47.3/70.7
L1242	6200001831	S.COL NLV32T-100J	T	53.7/71.5
L1251	6200001831	S.COL NLV32T-100J	T	58.5/66.8
L1252	6200010670	S.COL C2520C-R18G-A (0.18U)	T	54.7/66.1
L1253	6200003331	S.COL NLV32T-1R0J	T	51.9/54.7
L1254	6200005701	S.COL ELJRE 22NGFA	T	52.4/47.2
L1255	6200005631	S.COL ELJRE 5N6ZFA	T	48.5/55.3
L1256	6200005721	S.COL ELJRE 33NGFA	T	63.7/53.1
L1257	6200005671	S.COL ELJRE 12NGFA	T	59.2/53.1
L1260	6200005731	S.COL ELJRE 39NGFA	T	63/48.7
L1261	6200005681	S.COL ELJRE 15NGFA	T	58.5/48.7
L1262	6200005611	S.COL ELJRE 3N9ZFA	T	44.2/51.9
L1263	6200005631	S.COL ELJRE 5N6ZFA	T	43.5/54
L1264	6200005611	S.COL ELJRE 3N9ZFA	T	40.1/53.2
L1265	6200005601	S.COL ELJRE 3N3ZFA	T	40.1/49.5

M.=Mounted side (T: Mounted on the Top side B: Mounted on the Bottom side)
S.=Surface mount

</

[RF-B UNIT]

REF NO.	ORDER NO.	DESCRIPTION	M.	H/V LOCATION
L1266	6200001831	S.COL NLV32T-100J	B	66.8/47.6
L1267	6200003331	S.COL NLV32T-1R0J	B	62.3/44.8
L1268	6200003331	S.COL NLV32T-1R0J	B	39.9/45.1
L1301	6200002631	S.COL NLV25T-1R0J	B	67.8/15.6
L1302	6200001981	S.COL NLV25T-1R0J	B	62.1/29.5
L1303	6200010590	S.COL C2520C-22NG-A	T	67.2/19.4
L1304	6200010590	S.COL C2520C-22NG-A	T	74.4/19.4
L1305	6200010590	S.COL C2520C-22NG-A	T	82.3/19.2
L1306	6200010590	S.COL C2520C-22NG-A	T	89.6/19.9
L1307	6200010030	S.COL C2012C-15NG-A	T	93.4/24.5
L1308	6200001981	S.COL NLV25T-1R0J	B	102.8/18.4
L1309	6200002631	S.COL NLV25T-1R0J	T	101/17.4
L1311	6200007710	S.COL LQW2BHN27NJ03L	B	98.3/20.7
L1341	6200010670	S.COL C2520C-R18G-A (0.18U)	T	103.9/13.6
L1342	6200001831	S.COL NLV32T-100J	T	105.4/17.5
R102	7030003320	S.RES ERJ3GEYJ 101 V (100)	B	156.5/102.7
R111	7030003320	S.RES ERJ3GEYJ 101 V (100)	B	152.4/74.9
R202	7030003320	S.RES ERJ3GEYJ 101 V (100)	B	144.3/104.7
R211	7030003320	S.RES ERJ3GEYJ 101 V (100)	B	140.6/77.5
R302	7030003320	S.RES ERJ3GEYJ 101 V (100)	B	130.6/104.7
R311	7030003320	S.RES ERJ3GEYJ 101 V (100)	B	127.5/77.6
R402	7030003320	S.RES ERJ3GEYJ 101 V (100)	B	115.3/104.6
R411	7030003320	S.RES ERJ3GEYJ 101 V (100)	B	113.9/75.7
R502	7030003320	S.RES ERJ3GEYJ 101 V (100)	B	101.4/104.8
R511	7030003320	S.RES ERJ3GEYJ 101 V (100)	B	98/76.6
R601	7030003320	S.RES ERJ3GEYJ 101 V (100)	B	87.6/102.4
R611	7030003320	S.RES ERJ3GEYJ 101 V (100)	B	88/76.5
R701	7030003320	S.RES ERJ3GEYJ 101 V (100)	B	74.9/102.8
R711	7030003320	S.RES ERJ3GEYJ 101 V (100)	B	74.7/76.4
R801	7030009810	S.RES ERJ12YJ821U (820)	B	54.6/112.6
R803	7030003320	S.RES ERJ3GEYJ 101 V (100)	B	60.8/102.7
R812	7030003320	S.RES ERJ3GEYJ 101 V (100)	B	59.9/77.3
R813	7030009810	S.RES ERJ12YJ821U (820)	B	50.7/75.9
R816	7030003440	S.RES ERJ3GEYJ 102 V (1 k)	B	39.3/77.3
R817	7030003440	S.RES ERJ3GEYJ 102 V (1 k)	B	40.9/118.5
R818	7030003440	S.RES ERJ3GEYJ 102 V (1 k)	B	42.5/118.4
R819	7030003440	S.RES ERJ3GEYJ 102 V (1 k)	B	44.3/77.3
R820	7030003520	S.RES ERJ3GEYJ 472 V (4.7 k)	T	37.9/115.8
R821	7030003440	S.RES ERJ3GEYJ 102 V (1 k)	B	47.1/78.5
R1201	7030003440	S.RES ERJ3GEYJ 102 V (1 k)	T	23.1/62.9
R1202	7030003440	S.RES ERJ3GEYJ 102 V (1 k)	T	23.1/53.5
R1206	7030003680	S.RES ERJ3GEYJ 104 V (100 k)	T	26.6/83
R1207	7030003680	S.RES ERJ3GEYJ 104 V (100 k)	T	25.3/77.9
R1208	7030003640	S.RES ERJ3GEYJ 473 V (47 k)	B	22.9/80
R1209	7030003640	S.RES ERJ3GEYJ 473 V (47 k)	B	22.9/81.6
R1210	7030003440	S.RES ERJ3GEYJ 102 V (1 k)	B	33.9/71.5
R1211	7030003440	S.RES ERJ3GEYJ 102 V (1 k)	B	24.2/72.3
R1212	7030003440	S.RES ERJ3GEYJ 102 V (1 k)	B	26.5/64.3
R1213	7030003440	S.RES ERJ3GEYJ 102 V (1 k)	B	32.9/64.3
R1214	7030003440	S.RES ERJ3GEYJ 102 V (1 k)	B	17.8/78
R1234	7030003680	S.RES ERJ3GEYJ 104 V (100 k)	T	72/49.1
R1241	7030004030	S.RES ERJ3GEYJ 5R6 V (5.6)	T	39.4/73
R1242	7030003430	S.RES ERJ3GEYJ 821 V (820)	T	37.6/73.8
R1243	7030003430	S.RES ERJ3GEYJ 821 V (820)	T	37.6/72.3
R1251	7030003270	S.RES ERJ3GEYJ 390 V (39)	T	46.5/64
R1252	7030003340	S.RES ERJ3GEYJ 151 V (150)	T	44/67.3
R1253	7030003340	S.RES ERJ3GEYJ 151 V (150)	T	45.7/61.9
R1254	7030003340	S.RES ERJ3GEYJ 151 V (150)	T	
		[FRA], [AUS], [CHN]	T	57.4/61.4
	7030003430	S.RES ERJ3GEYJ 821 V (820)	T	
		except [FRA], [AUS], [CHN]	T	57.4/61.4
R1255	7030003270	S.RES ERJ3GEYJ 390 V (39)	T	58.2/63.4
		[FRA], [AUS], [CHN]	T	
	7030004030	S.RES ERJ3GEYJ 5R6 V (5.6)	T	58.2/63.4
		except [FRA], [AUS], [CHN]	T	
R1256	7030003340	S.RES ERJ3GEYJ 151 V (150)	T	59/61.5
		[FRA], [AUS], [CHN]	T	
	7030003430	S.RES ERJ3GEYJ 821 V (820)	T	
		except [FRA], [AUS], [CHN]	T	59/61.5
R1257	7030009810	S.RES ERJ12YJ821U (820)	T	66.7/61.5
R1258	7030003680	S.RES ERJ3GEYJ 104 V (100 k)	T	
		except [CHN]	T	
R1259	7030003680	S.RES ERJ3GEYJ 104 V (100 k)	T	47.1/48.9
R1260	7030009810	S.RES ERJ12YJ821U (820)	B	32.9/44.7
R1261	7030003640	S.RES ERJ3GEYJ 473 V (47 k)	B	47.4/48.4
R1262	7030003640	S.RES ERJ3GEYJ 473 V (47 k)	B	
		except [CHN]	T	
R1263	7030003680	S.RES ERJ3GEYJ 104 V (100 k)	T	72/52.2
R1265	7030003680	S.RES ERJ3GEYJ 104 V (100 k)	B	36.5/42.9
R1266	7030003200	S.RES ERJ3GEYJ 100 V (10)	B	39.5/48.5
R1267	7030000010	S.RES MCR10EZHH JPW (000)	T	46/54.3
R1270	7030003370	S.RES ERJ3GEYJ 271 V (270)	B	26.8/48.3
R1271	7030003230	S.RES ERJ3GEYJ 180 V (18)	B	29/49.1
R1272	7030003370	S.RES ERJ3GEYJ 271 V (270)	B	26.8/49.8
R1301	7030003430	S.RES ERJ3GEYJ 821 V (820)	B	63.7/20.1
R1302	7030003320	S.RES ERJ3GEYJ 101 V (100)	B	65.3/14.5
R1303	7030000010	S.RES MCR10EZHH JPW (000)	B	66.8/9.9
R1306	7030003320	S.RES ERJ3GEYJ 101 V (100)	B	62.4/26.5
R1307	7030003680	S.RES ERJ3GEYJ 104 V (100 k)	T	107/25.3
R1308	7030000010	S.RES MCR10EZHH JPW (000)	B	96.4/6.7
R1309	7030003680	S.RES ERJ3GEYJ 104 V (100 k)	T	104.3/25.3
R1310	7030003370	S.RES ERJ3GEYJ 271 V (270)	T	79.3/25.5
R1311	7030003230	S.RES ERJ3GEYJ 180 V (18)	T	80.1/23.5
R1312	7030003370	S.RES ERJ3GEYJ 271 V (270)	T	80.8/25.5
R1315	7030003860	S.RES ERJ3GE JPW V	B	96.4/9.9
R1317	7030003320	S.RES ERJ3GEYJ 101 V (100)	B	101.3/16
R1318	7030003320	S.RES ERJ3GEYJ 101 V (100)	B	97.9/15.1
R1319	7030003430	S.RES ERJ3GEYJ 821 V (820)	B	101.3/11.9
R1321	7030004030	S.RES ERJ3GEYJ 5R6 V (5.6)	T	60.9/17.7
R1322	7030003430	S.RES ERJ3GEYJ 821 V (820)	T	62.9/16.9
R1323	7030003430	S.RES ERJ3GEYJ 821 V (820)	T	61.6/19.6
R1327	7030003860	S.RES ERJ3GE JPW V	B	82.9/6.9

[RF-B UNIT]

REF NO.	ORDER NO.	DESCRIPTION	M.	H/V LOCATION
R1331	7030003390	S.RES ERJ3GEYJ 391 V (390)	T	108.1/9.9
R1332	7030003210	S.RES ERJ3GEYJ 120 V (12)	T	110.7/11.5
R1333	7030003390	S.RES ERJ3GEYJ 391 V (390)	T	112.2/9.9
R1334	7510001820	S.TMR NTCG16 3EH 101J-T	T	108.1/11.5
R1601	7030003680	S.RES ERJ3GEYJ 104 V (100 k)	T	153.8/40
R1602	7030003440	S.RES ERJ3GEYJ 102 V (1 k)	T	157.3/38.4
R1605	7030003360	S.RES ERJ3GEYJ 221 V (220)	T	152.1/57.2
R1606	7030003360	S.RES ERJ3GEYJ 221 V (220)	T	152.1/58.8
R1607	7030003360	S.RES ERJ3GEYJ 221 V (220)	T	152.1/60.1
R1608	7030003860	S.RES ERJ3GE JPW V	T	152/49.1
R1611	7030003860	S.RES ERJ3GE JPW V	T	157.3/39.7
R1612	7030003560	S.RES ERJ3GEYJ 103 V (10 k)	T	144.3/42.6
R1613	7030010260	S.RES ERJ1TYJ 3R3 U	B	159.2/35.8
R1614	7030003360	S.RES ERJ3GEYJ 221 V (220)	T	152.1/56.2
R1615	7030003640	S.RES ERJ3GEYJ 473 V (47 k)	B	151.4/57.8
R1616	7030003640	S.RES ERJ3GEYJ 473 V (47 k)	B	147.2/58.8
R1617	7030003640	S.RES ERJ3GEYJ 473 V (47 k)	B	147.2/56.2
R1618	7030003640	S.RES ERJ3GEYJ 473 V (47 k)	B	146.4/57.5
R1621	7030010540	S.RES ERJ1TYJ 330U (33)	B	19.8/111.6
R1622	7030010540	S.RES ERJ1TYJ 330U (33)	B	19.8/105.3
R1623	7030010410	S.RES ERJ1TYJ 220U (22)	B	140.3/25.8
R1624	7030010410	S.RES ERJ1TYJ 220U (22)	B	140.3/29.5
R1625	7030010540	S.RES ERJ1TYJ 330U (33)	B	19.8/119
R1711	7030003320	S.RES ERJ3GEYJ 101 V (100)	T	78.6/45
R1712	7030003680	S.RES ERJ3GEYJ 104 V (100 k)	T	127.9/63.4
R1715	7030003680	S.RES ERJ3GEYJ 104 V (100 k)	T	127.9/63.4
R1718	7030003680	S.RES ERJ3GEYJ 104 V (100 k)	T	124.9/63.4
R1721	7030003680	S.RES ERJ3GEYJ 104 V (100 k)	T	124.9/61
R1724	7030003680	S.RES ERJ3GEYJ 104 V (100 k)	T	121.9/63.4
R1727	7030003680	S.RES ERJ3GEYJ 104 V (100 k)	T	121.9/61
R1730	7030003680	S.RES ERJ3GEYJ 104 V (100 k)	T	118.9/63.4
R1733	7030003680	S.RES ERJ3GEYJ 104 V (100 k)	T	118.9/61
R1736	7030003620	S.RES ERJ3GEYJ 333 V (33 k)	T	87.9/43.4
R1737	7030003500	S.RES ERJ3GEYJ 332 V (3.3 k)	T	85.3/45.2
R1738	7030003620	S.RES ERJ3GEYJ 333 V (33 k)	T	86.5/58.3
R1739	7030003500	S.RES ERJ3GEYJ 332 V (3.3 k)	T	86.5/59.5
R1740	7030003640	S.RES ERJ3GEYJ 473 V (47 k)	T	85.3/44.8
R1741	7030003640	S.RES ERJ3GEYJ 473 V (47 k)	T	88/45.8
R1742	7030003640	S.RES ERJ3GEYJ 473 V (47 k)	T	86.5/57.1
R1743	7030003640	S.RES ERJ3GEYJ 473 V (47 k)	T	90.1/52.9
R1744	7030003720	S.RES ERJ3GEYJ 224 V (220 k)	T	85.3/46.1
R1745	7030003720	S.RES ERJ3GEYJ 224 V (220 k)	T	86.5/55.8
R1748	7030003400	S.RES ERJ3GEYJ 471 V (470)	T	83.2/45.9
R1749	7030003400	S.RES ERJ3GEYJ 471 V (470)	B	85.9/43.4
C102	4030006880	S.CER C1608 JB 1H 472K-T	B	154.2/104.8
C103	4030007160	S.CER C1608 CH 1H 181J-T	T	148.3/106.4
C104	4030007160	S.CER C1608 CH 1H 181J-T	T	148.3/104.8
C105	4030007130	S.CER C1608 CH 1H 101J-T	T	147.6/102.8
C106	4030001760	S.CER C1608 CH 1H 331J-T	T	148.3/100.7
C107	4030007120	S.CER C1608 CH 1H 820J-T	T	147.6/98.6
C108	4030017810	S.CER C1608 CH 1H 102J-T	T	148.3/96.6
C109	4030007140	S.CER C1608 CH 1H 121J-T	T	146.3/95.8
C110	4030007120	S.CER C1608 CH 1H 820J-T	T	148.3/95.1
C111	4030006990	S.CER C1608 CH 1H 080D-T	T	147.1/93.7
C112	4030006880	S.CER C1608 JB 1H 472K-T	B	151.7/80
C113	4030006880	S.CER C1608 JB 1H 472K-T	T	146.8/78.5
C114	4030007130	S.CER C1608 CH 1H 101J-T	T	149.8/93.7
C115	4030009650	S.CER C1608 CH 1H 240J-T	T	150.8/88.5
C116	4030007010	S.CER C1608 CH 1H 100D-T	T	151.6/86.6
C117	4030007120	S.CER C1608 CH 1H 820J-T	T	151.6/84.1
C118	4030007090	S.CER C1608 CH 1H 470J-T	T	147.5/81.6
C119	4030007090	S.CER C1608 CH 1H 470J-T	T	147.5/80.3
C120	4030011600	S.CER C1608 JB 1E 104K-T	B	154.2/103.5
C121	4030011600	S.CER C1608 JB 1E 104K-T	B	151.7/81.3
C202	4030006880	S.CER C1608 JB 1H 472K-T	B	143/107.7
C203	4030007130	S.CER C1608 CH 1H 101J-T	T	135.2/106.4
C204	4030007130	S.CER C1608 CH 1H 101J-T	T	135.2/104.8
C205	4030007100	S.CER C1608 CH 1H 560J-T	T	134.4/102.8
C206	4030010750	S.CER C1608 CH 1H 201J-T	T	135.2/100.7
C207	4030007090	S.CER C1608 CH 1H 470J-T	T	134.4/98.6
C208	4030017870	S.CER C1608 CH 1H 681J-T	T	135.2/96.6
C209	4030007110	S.CER C1608 CH 1H 680J-T	T	133.2/95.8
C210	4030007100	S.CER C1608 CH 1H 560J-T	T	135.2/95.1
C211	4030011770	S.CER C1608 CH 1H 060B-T	T	134/93.7
C212	4030006880	S.CER C1608 JB 1H 472K-T	B	139.9/80.5
C213	4030006880	S.CER C1608 JB 1H 472K-T	T	133.5/78.5
C214	4030007120	S.CER C1608 CH 1H 820J-T	T	136.7/93.7
C215	4030007040	S.CER C1608 CH 1H 180J-T	T	137.6/88.4
C216	4030007110	S.CER C1608 CH 1H 680J-T	T</	

[RF-B UNIT]

REF NO.	ORDER NO.	DESCRIPTION	M.	H/V LOCATION
C309	4030007100	S.CER C1608 CH 1H 560J-T [FRA], [AUS], [CHN]	T	119.1/95.9
C310	4030008750	S.CER C1608 CH 1H 360J-T	T	121.3/95.2
C311	4030009530	S.CER C1608 CH 1H 030B-T	T	119.9/93.8
C312	4030006880	S.CER C1608 JB 1H 472K-T	B	126.7/80.8
C313	4030006880	S.CER C1608 JB 1E 104K-T	T	119.7/78.4
C314	4030007090	S.CER C1608 CH 1H 470J-T except [FRA], [AUS], [CHN]	T	122.6/93.8
	4030007100	S.CER C1608 CH 1H 560J-T [FRA], [AUS], [CHN]	T	122.6/93.8
C315	4030007020	S.CER C1608 CH 1H 120J-T	T	123.6/88.3
C316	4030007080	S.CER C1608 CH 1H 390J-T except [FRA], [AUS], [CHN]	T	124.4/86.4
	4030007090	S.CER C1608 CH 1H 470J-T [FRA], [AUS], [CHN]	T	124.4/86.4
C317	4030007010	S.CER C1608 CH 1H 100D-T [FRA], [AUS], [CHN]	T	120.5/81.8
	4030007050	S.CER C1608 CH 1H 220J-T except [FRA], [AUS], [CHN]	T	120.5/81.8
C318	4030009650	S.CER C1608 CH 1H 240J-T	T	121.7/79.2
C319	4030011600	S.CER C1608 JB 1E 104K-T	B	130.6/107.7
C320	4030011600	S.CER C1608 JB 1E 104K-T	B	126.7/82.1
C321	4030007030	S.CER C1608 CH 1H 150J-T [FRA], [AUS], [CHN] only	T	120.5/80.6
C401	4030007050	S.CER C1608 CH 1H 220J-T [FRA], [AUS], [CHN]	T	106.3/106.5
	4030007090	S.CER C1608 CH 1H 470J-T except [FRA], [AUS], [CHN]	T	106.3/106.5
C403	4030006850	S.CER C1608 JB 1H 471K-T	B	114.1/107.6
C404	4030007030	S.CER C1608 CH 1H 150J-T [FRA], [AUS], [CHN]	T	106.3/104.6
	4030007040	S.CER C1608 CH 1H 180J-T except [FRA], [AUS], [CHN]	T	106.3/104.6
C405	4030007010	S.CER C1608 CH 1H 100D-T [FRA], [AUS], [CHN]	T	105.5/102.5
	4030009650	S.CER C1608 CH 1H 240J-T except [FRA], [AUS], [CHN]	T	105.5/102.5
C406	4030007080	S.CER C1608 CH 1H 390J-T	T	107.5/100.6
C407	4030007010	S.CER C1608 CH 1H 100D-T [FRA], [AUS], [CHN]	T	105.5/99.9
	4030007040	S.CER C1608 CH 1H 180J-T except [FRA], [AUS], [CHN]	T	105.5/99.9
C408	4030007140	S.CER C1608 CH 1H 121J-T	T	106.3/97.6
C409	4030009650	S.CER C1608 CH 1H 240J-T	T	105.5/95.8
C410	4030007060	S.CER C1608 CH 1H 270J-T	T	106.3/93.7
C412	4030007080	S.CER C1608 CH 1H 390J-T [FRA], [AUS], [CHN]	T	109/92.3
	4030008750	S.CER C1608 CH 1H 360J-T except [FRA], [AUS], [CHN]	T	109/92.3
C413	4030006980	S.CER C1608 CH 1H 070D-T	T	110.3/87.1
C414	4030007060	S.CER C1608 CH 1H 270J-T except [FRA], [AUS], [CHN]	T	111/85.1
	4030007070	S.CER C1608 CH 1H 330J-T [FRA], [AUS], [CHN]	T	111/85.1
C415	4030006850	S.CER C1608 JB 1H 471K-T	B	113.9/80.1
C416	4030006860	S.CER C1608 JB 1H 102K-T	T	106.7/77.8
C417	4030007030	S.CER C1608 CH 1H 150J-T	T	106.7/80.5
C418	4030007030	S.CER C1608 CH 1H 150J-T	T	106.7/79.3
C419	4030011600	S.CER C1608 JB 1E 104K-T	B	115.4/107.6
C420	4030011600	S.CER C1608 JB 1E 104K-T	B	113.9/81.4
C501	4030009650	S.CER C1608 CH 1H 240J-T	T	92.3/106.7
C503	4030006850	S.CER C1608 JB 1H 471K-T	B	100.2/107.8
C504	4030009990	S.CER C1608 CH 1H 200J-T	T	92.3/105
C505	4030007030	S.CER C1608 CH 1H 150J-T	T	91.5/102.8
C506	4030007080	S.CER C1608 CH 1H 390J-T	T	93.6/100.4
C507	4030007020	S.CER C1608 CH 1H 120J-T	T	91.5/99.7
C508	4030007140	S.CER C1608 CH 1H 121J-T	T	92.2/97.6
C509	4030007030	S.CER C1608 CH 1H 150J-T	T	91.5/95.5
C510	4030007030	S.CER C1608 CH 1H 150J-T	T	92.3/93.6
C511	4030009520	S.CER C1608 CH 1H 020B-T	T	92.3/92.4
C512	4030009650	S.CER C1608 CH 1H 240J-T	T	95.9/2.4
C513	4030011770	S.CER C1608 CH 1H 060B-T	T	96/87
C514	4030009990	S.CER C1608 CH 1H 200J-T	T	96.7/85
C515	4030006850	S.CER C1608 JB 1H 471K-T	B	97.3/81.8
C516	4030006860	S.CER C1608 JB 1H 102K-T	T	93.1/77.9
C517	4030007010	S.CER C1608 CH 1H 100D-T	T	93.1/80.4
C518	4030007010	S.CER C1608 CH 1H 100D-T	T	93.1/79.2
C519	4030011600	S.CER C1608 JB 1E 104K-T	B	101.4/107.8
C520	4030011600	S.CER C1608 JB 1E 104K-T	B	97.3/83.1
C602	4030006850	S.CER C1608 JB 1H 471K-T	B	89.1/104.9
C603	4030007030	S.CER C1608 CH 1H 150J-T	T	85/106.4
C604	4030009990	S.CER C1608 CH 1H 200J-T	T	83.1/105.7
C605	4030006990	S.CER C1608 CH 1H 080D-T	T	85/103.5
C606	4030008750	S.CER C1608 CH 1H 360J-T	T	84.3/100.9
C607	4030006980	S.CER C1608 CH 1H 070D-T	T	85/98.9
C608	4030007140	S.CER C1608 CH 1H 121J-T	T	83/98.1
C609	4030007010	S.CER C1608 CH 1H 100D-T	T	85/96.1
C610	4030006990	S.CER C1608 CH 1H 080D-T	T	79.6/95.4
C611	4030006920	S.CER C1608 CH 1H 010C-T	T	80.4/93.4
C611	4030009510	S.CER C1608 CH 1H 010B-T	T	80.4/93.4
C612	4030007030	S.CER C1608 CH 1H 150J-T	T	82/91.3
C613	4030006940	S.CER C1608 CH 1H 030C-T	T	82/90
C613	4030009530	S.CER C1608 CH 1H 030B-T	T	82/90
C614	4030007020	S.CER C1608 CH 1H 120J-T	T	79.3/87.7
C615	4030006980	S.CER C1608 CH 1H 070D-T	T	80.1/84.3
C616	4030006850	S.CER C1608 JB 1H 471K-T	B	86.4/78.9
C617	4030006860	S.CER C1608 JB 1H 102K-T	T	81.3/78.6
C618	4030006960	S.CER C1608 CH 1H 050C-T	T	79.3/82.3
C618	4030009920	S.CER C1608 CH 1H 050B-T	T	79.3/82.3
C619	4030011600	S.CER C1608 JB 1E 104K-T	B	89.1/103.6
C620	4030011600	S.CER C1608 JB 1E 104K-T	B	86.4/80.2
C702	4030007000	S.CER C1608 CH 1H 090D-T	T	71.5/105.3
C703	4030006850	S.CER C1608 JB 1H 471K-T	B	70.9/102.9
C704	4030007030	S.CER C1608 CH 1H 150J-T	T	68.3/104.6

[RF-B UNIT]

REF NO.	ORDER NO.	DESCRIPTION	M.	H/V LOCATION
C705	4030006960	S.CER C1608 CH 1H 050C-T	T	70.3/103.8
C705	4030009920	S.CER C1608 CH 1H 050B-T	T	70.3/103.8
C706	4030007060	S.CER C1608 CH 1H 270J-T	T	69.3/101.1
C707	4030006960	S.CER C1608 CH 1H 050C-T	T	70.4/99.1
C707	4030009920	S.CER C1608 CH 1H 050B-T	T	70.4/99.1
C708	4030007120	S.CER C1608 CH 1H 820J-T	T	68.5/98.4
C709	4030006980	S.CER C1608 CH 1H 070D-T	T	70.4/96.3
C710	4030009920	S.CER C1608 CH 1H 050B-T	T	65.1/95.6
C711	4030009560	S.CER C1608 CH 1H R75B-T	T	65.8/93.6
C712	4030006990	S.CER C1608 CH 1H 080D-T	T	67.4/91.4
C713	4030009520	S.CER C1608 CH 1H 020B-T	T	67.4/90.1
C714	4030006980	S.CER C1608 CH 1H 070D-T	T	64.5/87.7
C715	4030009350	S.CER C1608 CH 1H 3R5B-T	T	65.3/84.3
C716	4030009910	S.CER C1608 CH 1H 040B-T	T	64.5/82.4
C718	4030006850	S.CER C1608 JB 1H 471K-T	B	73.4/79.2
C719	4030006860	S.CER C1608 JB 1H 102K-T	T	67.6/78
C720	4030011600	S.CER C1608 JB 1E 104K-T	B	70.9/104.2
C721	4030011600	S.CER C1608 JB 1E 104K-T	B	73.4/80.5
C801	4030017810	S.CER C1608 CH 1H 102J-T	B	49.3/115.5
C803	4030006850	S.CER C1608 JB 1H 471K-T	B	56.7/102.6
C804	4030011770	S.CER C1608 CH 1H 060B-T	T	56.7/106.1
C805	4030007010	S.CER C1608 CH 1H 100D-T	T	54.6/105.4
C806	4030009910	S.CER C1608 CH 1H 040B-T	T	56.8/103.2
C807	4030007020	S.CER C1608 CH 1H 120J-T	T	56/101.3
C808	4030009910	S.CER C1608 CH 1H 040B-T	T	56.8/99.4
C809	4030007090	S.CER C1608 CH 1H 470J-T	T	54.4/97.2
C810	4030009920	S.CER C1608 CH 1H 050B-T	T	56.8/96.8
C811	4030009350	S.CER C1608 CH 1H 3R5B-T	T	53.1/94.8
C813	4030006990	S.CER C1608 CH 1H 080D-T	T	52.3/93.3
C815	4030006980	S.CER C1608 CH 1H 070D-T	T	53.4/90.5
C816	4030006850	S.CER C1608 JB 1H 471K-T	B	59.4/80.1
C817	4030017810	S.CER C1608 CH 1H 102J-T	T	54.2/84.2
C819	4030017810	S.CER C1608 CH 1H 102J-T	B	46.4/81.7
C821	4030006860	S.CER C1608 JB 1H 102K-T	B	41.5/113.9
C822	4030006860	S.CER C1608 JB 1H 102K-T	B	41.5/115.3
C823	4030006860	S.CER C1608 JB 1H 102K-T	B	44.3/78.6
C824	4030006860	S.CER C1608 JB 1H 102K-T	B	39.3/78.6
C825	4030006900	S.CER C1608 JB 1H 103K-T	T	40/115.1
C826	4030017810	S.CER C1608 CH 1H 102J-T	T	40/113.9
C828	4030006900	S.CER C1608 JB 1H 103K-T	B	46.4/80.4
C829	4030006900	S.CER C1608 JB 1H 103K-T	T	41.2/77.9
C830	4030017810	S.CER C1608 CH 1H 102J-T	T	42.5/77.9
C831	4030009350	S.CER C1608 CH 1H 3R5B-T	T	54.2/88.6
C832	4030009530	S.CER C1608 CH 1H 030B-T	T	53.4/86.3
C833	4030011600	S.CER C1608 JB 1E 104K-T	B	56.7/103.9
C834	4030011600	S.CER C1608 JB 1E 104K-T	B	60.7/80.1
C835	4030017810	S.CER C1608 CH 1H 102J-T	B	50.2/80.3
C836	4030006900	S.CER C1608 JB 1H 103K-T	B	48.9/80.3
C901	4030006920	S.CER C1608 CH 1H 010C-T	T	38.8/95.8
C901	4030009510	S.CER C1608 CH 1H 010B-T	T	38.8/95.8
C902	4030009910	S.CER C1608 CH 1H 040B-T	T	42.8/105.8
C903	4030006960	S.CER C1608 CH 1H 050C-T	T	40.6/105.1
C903	4030009920	S.CER C1608 CH 1H 050B-T	T	40.6/105.1
C904	4030009520	S.CER C1608 CH 1H 020B-T	T	42.8/103.1
C905	4030007010	S.CER C1608 CH 1H 100D-T	T	42.1/101.2
C906	4030009520	S.CER C1608 CH 1H 020B-T	T	42.8/99.3
C907	4030007070	S.CER C1608 CH 1H 330J-T	T	40.6/97.3
C908	4030009520	S.CER C1608 CH 1H 020B-T	T	42.8/96.6
C910	4030009560	S.CER C1608 CH 1H R75B-T	T	38.8/94.5
C911	4030009550	S.CER C1608 CH 1H 2R5B-T	T	37.4/93
C913	4030009520	S.CER C1608 CH 1H 020B-T	T	37.4/91.8
C914	4030009520	S.CER C1608 CH 1H 020B-T	T	38.9/90.4
C916	4030009520	S.CER C1608 CH 1H 020B-T	T	39.6/87.4
C917	4030009520	S.CER C1608 CH 1H 020B-T	T	38.9/89.2
C918	4030009500	S.CER C1608 CH 1H 0R5B-T	T	38.9/85.5
C919	4030009500	S.CER C1608 CH 1H 0R5B-T	T	38.9/84.3
C920	4030017810	S.CER C1608 CH 1H 102J-T	T	39.6/82.4
C1202	4030017810	S.CER C1608 CH 1H 102J-T	B	29.5/71
C1203	4030009520	S.CER C1608 CH 1H 020B-T	T	30.3/79.4
C1206	4030009540	S.CER C1608 CH 1H 1R5B-T	T	30.3/82.3
C1206	4030010780	S.CER C1608 CH 1H 1R5C-T	T	30.3/82.3
C1209	4030009520	S.CER C1608 CH 1H 020B-T	T	

[RF-B UNIT]

REF NO.	ORDER NO.	DESCRIPTION	M.	H/V LOCATION
C1258	4030006900	S.CER C1608 JB 1H 103K-T	T	55.5/63.4
C1259	4030017810	S.CER C1608 CH 1H 102J-T	T	61.8/63.2
C1260	4030006900	S.CER C1608 JB 1H 103K-T	T	60.5/63.2
C1261	4030007010	S.CER C1608 CH 1H 100D-T	T	52.8/52.5
C1262	4030007030	S.CER C1608 CH 1H 150J-T	T	52.4/50.1
C1263	4030007010	S.CER C1608 CH 1H 100D-T	T	50.1/52.5
C1264	4030007010	S.CER C1608 CH 1H 100D-T	T	61.8/55.1
C1265	4030011770	S.CER C1608 CH 1H 060B-T	T	57.3/55.1
C1266	4030009520	S.CER C1608 CH 1H 020B-T	T	62.5/53.1
C1268	4030009540	S.CER C1608 CH 1H 1R5B-T	T	58/53.1
C1270	4030007040	S.CER C1608 CH 1H 180J-T	T	61.8/51.1
C1271	4030007010	S.CER C1608 CH 1H 100D-T	T	57.3/51.1
C1272	4030009500	S.CER C1608 CH 1H 0R5B-T	T	63/49.9
C1273	4030009500	S.CER C1608 CH 1H 0R5B-T	T	58.5/49.9
C1274	4030011770	S.CER C1608 CH 1H 060B-T	T	45.8/50.4
C1275	4030007010	S.CER C1608 CH 1H 100D-T	T	61.8/47.4
C1276	4030011770	S.CER C1608 CH 1H 060B-T	T	57.3/47.5
C1277	4030009510	S.CER C1608 CH 1H 010B-T	T	38.9/54.7
C1278	4030009510	S.CER C1608 CH 1H 010B-T	T	41.4/53.2
C1279	4030009520	S.CER C1608 CH 1H 020B-T	T	39.4/51.4
C1280	4030006860	S.CER C1608 JB 1H 102K-T	B	68.3/51.1
C1281	4030006850	S.CER C1608 JB 1H 471K-T	B	64.8/44.1
C1282	4030007090	S.CER C1608 CH 1H 470J-T	B	36.5/44.2
C1283	4030006850	S.CER C1608 JB 1H 471K-T	B	69.7/51.1
C1284	4030006860	S.CER C1608 JB 1H 102K-T	B	66.4/44.1
C1285	4030006860	S.CER C1608 JB 1H 102K-T	T	72/45.9
C1286	4030009510	S.CER C1608 CH 1H 010B-T	T	38.3/48.8
C1287	4030007090	S.CER C1608 CH 1H 470J-T	B	52.7/48.7
C1288	4030006860	S.CER C1608 JB 1H 102K-T	B	35.9/72.4
C1289	4030006860	S.CER C1608 JB 1H 102K-T	B	24.2/73.8
C1290	4030006860	S.CER C1608 JB 1H 102K-T	B	28/65.5
C1291	4030006860	S.CER C1608 JB 1H 102K-T	B	31.4/65.5
C1292	4030007090	S.CER C1608 CH 1H 470J-T	B	21.5/72.3
C1293	4030007090	S.CER C1608 CH 1H 470J-T	B	35.8/70.8
C1294	4030007130	S.CER C1608 CH 1H 101J-T	T	27.2/70.2
C1295	4030009500	S.CER C1608 CH 1H 0R5B-T	T	25.2/68.3
C1296	4030007130	S.CER C1608 CH 1H 101J-T	T	27.2/66.4
C1297	4030006960	S.CER C1608 CH 1H 050C-T	T	32/68.3
C1297	4030009920	S.CER C1608 CH 1H 050B-T	T	32/68.3
C1298	4030006960	S.CER C1608 CH 1H 050C-T	T	29.6/62.1
C1298	4030009920	S.CER C1608 CH 1H 050B-T	T	29.6/62.1
C1299	4030006860	S.CER C1608 JB 1H 102K-T	B	29.7/46
C1300	4030006900	S.CER C1608 JB 1H 103K-T	B	29.7/47.2
C1301	4030017810	S.CER C1608 CH 1H 102J-T	T	61.6/20.8
C1303	4030017810	S.CER C1608 CH 1H 102J-T	B	64.5/12.2
C1304	4030009910	S.CER C1608 CH 1H 040B-T	T	67.5/22.9
C1305	4030006860	S.CER C1608 JB 1H 102K-T	B	64.1/29.6
C1307	4030006860	S.CER C1608 JB 1H 102K-T	B	70.6/17.8
C1309	4030009530	S.CER C1608 CH 1H 030B-T	T	69.4/19.8
C1310	4540000020	S.TRI TZY2Z06A001R00	T	71.4/19.2
C1311	4030009570	S.CER C1608 CH 1H 0R3B-T	T	72.8/22.1
C1312	4030009510	S.CER C1608 CH 1H 010B-T	T	72.8/23.3
C1314	4030009530	S.CER C1608 CH 1H 030B-T	T	76.7/19.7
C1315	4540000020	S.TRI TZY2Z06A001R00	T	78.7/19.2
C1316	4030009910	S.CER C1608 CH 1H 040B-T	T	77.9/22.7
C1317	4030009910	S.CER C1608 CH 1H 040B-T	T	82.6/22.7
C1319	4030009530	S.CER C1608 CH 1H 030B-T	T	84.5/19.6
C1320	4540000020	S.TRI TZY2Z06A001R00	T	86.6/19.9
C1321	4030009570	S.CER C1608 CH 1H 0R3B-T	T	88/22.8
C1322	4030009510	S.CER C1608 CH 1H 010B-T	T	88/24.1
C1324	4030009530	S.CER C1608 CH 1H 030B-T	T	91.8/20.2
C1325	4540000020	S.TRI TZY2Z06A001R00	T	93.9/19.6
C1326	4030009910	S.CER C1608 CH 1H 040B-T	T	92.3/22.8
C1327	4030007030	S.CER C1608 CH 1H 150J-T	T	91/25.3
C1328	4030007020	S.CER C1608 CH 1H 120J-T	T	93.3/26.3
C1329	4030007030	S.CER C1608 CH 1H 150J-T	T	96.5/24.8
C1330	4030006860	S.CER C1608 JB 1H 102K-T	B	99.3/18
C1331	4030006860	S.CER C1608 JB 1H 102K-T	B	101.8/20.8
C1332	4030006860	S.CER C1608 JB 1H 102K-T	T	101.7/19.9
C1334	4030017810	S.CER C1608 CH 1H 102J-T	T	100.4/9.8
C1335	4030011340	S.CER C1608 CH 1H 471J-T	T	104.7/19.6
C1341	4030006860	S.CER C1608 JB 1H 102K-T	T	101.7/13.5
C1343	4030007130	S.CER C1608 CH 1H 101J-T	B	70.6/19.4
C1346	4030007130	S.CER C1608 CH 1H 101J-T	T	101.7/21.2
C1347	4030006860	S.CER C1608 JB 1H 102K-T	B	96.4/12.7
C1348	4030017810	S.CER C1608 CH 1H 102J-T	T	106.2/12.2
C1349	4030007130	S.CER C1608 CH 1H 101J-T	B	83.9/29.8
C1350	4030006860	S.CER C1608 JB 1H 102K-T	B	86.3/29.8
C1351	4030006860	S.CER C1608 JB 1H 102K-T	B	98.5/27.8
C1601	4030006880	S.CER C1608 JB 1H 472K-T	T	153.8/42.7
C1603	4030006880	S.CER C1608 JB 1H 472K-T	T	149.5/47.1
C1605	4030006880	S.CER C1608 JB 1H 472K-T	B	152.2/51.1
C1606	4030011600	S.CER C1608 JB 1E 104K-T	B	157.1/45.3
C1607	4030018960	S.CER C3216 JB 1C 106MT-N	T	13.5/117
C1608	4030011600	S.CER C1608 JB 1E 104K-T	B	12/115
C1609	4030011600	S.CER C1608 JB 1E 104K-T	B	12/106.5
C1610	4510008540	S.ELE EEE1CA100SR	T	163.7/70.8
C1611	4550003120	S.TAN TEESVD2 1A 476M12R	T	12.7/111.5
C1612	4030011600	S.CER C1608 JB 1E 104K-T	B	156.9/64.5
C1613	4030011600	S.CER C1608 JB 1E 104K-T	B	156.9/61.7
C1614	4550003210	S.TAN TEESVD21D226M12R	T	162.7/65.6
C1615	4030011600	S.CER C1608 JB 1E 104K-T	B	137.5/48.8
C1616	4030011600	S.CER C1608 JB 1E 104K-T	B	133.6/48.8
C1617	4030011600	S.CER C1608 JB 1E 104K-T	B	6.4/86.1
C1618	4030011340	S.CER C1608 CH 1H 471J-T	B	152.2/49.4
C1619	4030011600	S.CER C1608 JB 1E 104K-T	T	98.3/48.2
C1620	4510008540	S.ELE EEE1CA100SR	T	162.6/35.4
C1621	4030011600	S.CER C1608 JB 1E 104K-T	B	157.2/33.2
C1622	4510008540	S.ELE EEE1CA100SR	T	162.6/42.6
C1623	4510008540	S.ELE EEE1CA100SR	T	150.7/26.8
C1624	4030011600	S.CER C1608 JB 1E 104K-T	B	145.4/27.2
C1625	4030011600	S.CER C1608 JB 1E 104K-T	B	145.4/31.6
C1626	4510008520	S.ELE EEE1CA470SP	T	130.4/28
C1701	4030006880	S.CER C1608 JB 1H 472K-T	T	83.1/52.9

[RF-B UNIT]

REF NO.	ORDER NO.	DESCRIPTION	M.	H/V LOCATION
C1702	4510008760	S.ELE EEE1HA4R7SR	T	79.6/50.2
C1727	4030011600	S.CER C1608 JB 1E 104K-T	T	130.8/49.3
C1801	4030006860	S.CER C1608 JB 1H 102K-T	B	11.2/105.2
C1802	4030006860	S.CER C1608 JB 1H 102K-T	B	10.3/103.9
C1803	4030006860	S.CER C1608 JB 1H 102K-T	B	11.2/102.6
C1804	4030006860	S.CER C1608 JB 1H 102K-T	B	10.3/101.3
C1805	4030006860	S.CER C1608 JB 1H 102K-T	B	11.2/100
C1806	4030006860	S.CER C1608 JB 1H 102K-T	B	10.3/98.7
C1807	4030006860	S.CER C1608 JB 1H 102K-T	B	11.2/97.4
C1808	4030006860	S.CER C1608 JB 1H 102K-T	B	10.3/96.1
C1809	4030006860	S.CER C1608 JB 1H 102K-T	B	11.3/94.8
C1810	4030006860	S.CER C1608 JB 1H 102K-T	B	10.2/93.5
C1834	4030009920	S.CER C1608 CH 1H 050B-T	B	46.2/32.6
C1835	4030009920	S.CER C1608 CH 1H 050B-T	B	42.7/33.6
C1836	4030009920	S.CER C1608 CH 1H 050B-T	B	39.6/33.2
C1837	4030009920	S.CER C1608 CH 1H 050B-T	B	36.5/33.6
C1851	4030006860	S.CER C1608 JB 1H 102K-T	T	137.5/34
C1852	4030006860	S.CER C1608 JB 1H 102K-T	T	138.8/34
C1853	4030006860	S.CER C1608 JB 1H 102K-T	T	142.7/34
C1854	4030006860	S.CER C1608 JB 1H 102K-T	T	144/31.2
J801	6510023480	S.CNR AYU1-1P-02676-120-TF	T	34.9/115
J1201	6510023480	S.CNR AYU1-1P-02676-120-TF	T	29.5/112.5
J1202	6510023480	S.CNR AYU1-1P-02676-120-TF	T	15.7/58.2
J1301	6510018450	CNR TMP-S01X-B1		
J1305	6510018450	CNR TMP-S01X-B1		
J1601	6510019981	S.CNR 52808-1671 (1690)	T	157.2/52.7
J1801	6510019981	S.CNR 52808-1671 (1690)	T	6.1/99.1
J1831	6510019971	S.CNR 52808-1071	T	44.6/29.2
J1851	6510019971	S.CNR 52808-1071	T	141.2/26.7
EP1301	6910012350	S.BEA MMZ1608Y 102BT	B	68.2/18.6
EP1302	6910012350	S.BEA MMZ1608Y 102BT	T	101/23.2
EP1303	6910012350	S.BEA MMZ1608Y 102BT	B	66/30.4
EP1304	6910012350	S.BEA MMZ1608Y 102BT	B	102.5/22.7
EP1601	6910014730	S.BEA MPZ2012S331A-T	T	152.9/45.1
EP1602	6910015970	S.BEA MMZ1608B 301CT-AS	T	152/47.8
EP1603	6910014730	S.BEA MPZ2012S331A-T	T	152/50.7
EP1701	6910015970	S.BEA MMZ1608B 301CT-AS	T	130.8/46.5
EP1801	6910015970	S.BEA MMZ1608B 301CT-AS	T	11.2/105.3
EP1802	6910015970	S.BEA MMZ1608B 301CT-AS	T	11.2/104
EP1803	6910015970	S.BEA MMZ1608B 301CT-AS	T	11.2/102.7
EP1804	6910014730	S.BEA MPZ2012S331A-T	T	10.9/101.2
EP1805	6910015970	S.BEA MMZ1608B 301CT-AS	T	11.2/99.6
EP1806	6910015970	S.BEA MMZ1608B 301CT-AS	T	11.2/98.3
EP1807	6910015970	S.BEA MMZ1608B 301CT-AS	T	11.2/97
EP1808	6910015970	S.BEA MMZ1608B 301CT-AS	T	11.2/95.7
EP1809	6910015970	S.BEA MMZ1608B 301CT-AS	T	11.2/94.4
EP1810	6910015970	S.BEA MMZ1608B 301CT-AS	T	11.1/93.2
EP1811	6910015970	S.BEA MMZ1608B 301CT-AS	T	14.9/105.4
EP1812	6910015970	S.BEA MMZ1608B 301CT-AS	T	14.9/104.1
EP1813	6910015970	S.BEA MMZ1608B 301CT-AS	T	14.9/102.8
EP1814	6910014730	S.BEA MPZ2012S331A-T	T	15.3/101.3
EP1815	6910015970	S.BEA MMZ1608B 301CT-AS	T	15/99.7
EP1816	6910015970	S.BEA MMZ1608B 301CT-AS	T	15/98.4
EP1817	6910015970	S.BEA MMZ1608B 301CT-AS	T	15/97.1
EP1818	6910015970	S.BEA MMZ1608B 301CT-AS	T	15/95.8
EP1819	6910015970	S.BEA MMZ1608B 301CT-AS	T	15/94.5
EP1820	6910015970	S.BEA MMZ1608B 301CT-AS	T	15/93.3
EP1831	6910015970	S.BEA MMZ1608B 301CT-AS	T	51.7/36.1
EP1832	6910015970	S.BEA MMZ1608B 301CT-AS	T	49.4/36.1
EP1833	6910015970	S.BEA MMZ1608B 301CT-AS	T	47.3/36.1
EP1834	6910015970	S.BEA MMZ1608B 301CT-AS	T	45.2/36.1
EP1835	6910015970	S.BEA MMZ1608B 301CT-AS	T	43/36.1
EP1836	6910015970	S.BEA MMZ1608B 301CT-AS	T	41.4/36.1
EP1837	6910015970	S.BEA MMZ1608B 301CT-AS	T	39.1/36.1
EP1838	6910015970	S.BEA MMZ1608B 301CT-AS	T	51.7/33.5
EP1839	6910015970	S.BEA MMZ1608B 301CT-AS	T	49.4/33.5
EP1840	6910015970	S.BEA MMZ1608B 301CT-AS	T	47.3/33.5
EP1841	6910015970	S.BEA MMZ1608B 301CT-AS	T	45.2/33.5
EP1842	6910015970	S.BEA MMZ1608B 301CT-AS	T	43/33.5
EP1843	6910015970	S.BEA MMZ1608B 301CT-AS	T	41.4/33.5
EP1844	69100			

[PLL UNIT]

REF NO.	ORDER NO.	DESCRIPTION	M.	H/V LOCATION
IC100	1130011530	S.IC CD74HC4094M96	T	43/27.3
IC101	1130009691	S.IC TC74HCT7007AF (F)	B	44.6/25
IC200	1160000131	S.IC TD62783AFG (5,S,EL)	B	28.9/26.1
IC204	1160000131	S.IC TD62783AFG (5,S,EL)	B	13.9/26.1
IC300	1130011530	S.IC CD74HC4094M96	T	29/24.2
IC301	1130011530	S.IC CD74HC4094M96	T	14/24.2
IC302	1130011530	S.IC CD74HC4094M96	B	135.9/9.7
IC350	1130012000	S.IC M62352AGP C60Q	T	111.3/23
IC400	1180001251	S.IC TA7805F (TE16L,Q)	B	44.8/8.5
IC401	1180001071	S.IC TA7805F (TE16L,Q)	B	84.9/6.8
IC500	1130006441	S.IC TC7S08F (TE85R,F)	T	66/36.4
IC700	1130003831	S.IC TC7S04F (TE85R,F)	T	102.1/50.1
IC750	1130003831	S.IC TC7S04F (TE85R,F)	T	76.1/46.8
IC751	1130006441	S.IC TC7S08F (TE85R,F)	T	77.4/54.8
IC752	1140007881	S.IC TC190G08EFG0046JDZ/SC1246A	T	87.7/47.2
IC830	1110002700	S.IC NJM2904M-TE1-#FMZB	B	96.1/84.7
IC1000	1130013500	S.IC ADF4111BRUZ	T	66.3/69
IC1001	1110001901	S.IC PC4570G2-E1-A	T	74.5/69.5
IC1300	1110006870	S.IC PC2709TB-E3	B	65/111.2
IC1351	1110006870	S.IC PC2709TB-E3	B	70.2/100.6
IC2100	1110004460	S.IC PB1509GV-E1	T	46.1/56.9
IC2300	1130013450	S.IC SN74AUC1G04DCKR	T	41.8/44.6
IC2301	1180003030	S.REG S-812C25AUA-C2FT2G	T	49.3/46.6
IC2302	1130013310	S.IC SN74AUC74RGYR	T	35.8/45.1
IC2303	1130011930	S.IC SN74LVC1G04DCKR	T	29.4/45
IC2553	1110006870	S.IC PC2709TB-E3	B	35.2/87.5
IC4000	1130013300	S.IC LMX2346TM/NOPB	T	151.5/61.6
IC4501	1110006870	S.IC PC2709TB-E3	B	163.8/95
IC5000	1130013270	S.IC ADF4111BRUZ	T	123.4/74.8
IC5001	1110002700	S.IC NJM2904M-TE1-#FMZB	B	144.7/81.8
IC5300	1130003831	S.IC TC7S04F (TE85R,F)	T	159.5/37.2
IC5301	1140007881	S.IC TC190G08EFG0046JDZ/SC1246A	T	155.9/36
IC5601	1130003831	S.IC TC7S04F (TE85R,F)	B	154.1/32.5
Q101	1590001870	S.TR DTA114EE TL [FRA], [AUS], [CHN]	T	36.8/21.9
	1590003570	S.TR BCR183T	T	36.8/21.9
		except [FRA], [AUS], [CHN]	T	36.8/21.9
Q102	1590003520	S.TR BCR108T	B	28.4/13.1
		except [FRA], [AUS], [CHN]	B	28.4/13.1
	1590003940	S.TR RN1105 (TE85L,F)	B	28.4/13.1
		[FRA], [AUS], [CHN]	B	28.4/13.1
Q450	1530002060	S.TR 2SC4081 T106 R	T	127.4/60.9
Q550	1530002601	S.TR 2SC4215-O (TE85R,F)	T	122.1/44.1
Q601	1590003530	S.TR BCR08PN	B	82.1/114.1
		except [FRA], [AUS], [CHN]	B	82.1/114.1
	1590003930	S.TR UMD22N TR	B	82.1/114.1
		[FRA], [AUS], [CHN]	B	82.1/114.1
Q602	1590003530	S.TR BCR08PN	B	82.1/117.7
		except [FRA], [AUS], [CHN]	B	82.1/117.7
	1590003930	S.TR UMD22N TR [FRA], [AUS], [CHN]	B	82.1/117.7
	1590003530	S.TR BCR08PN	B	82.1/121.3
		except [FRA], [AUS], [CHN]	B	82.1/121.3
	1590003930	S.TR UMD22N TR [FRA], [AUS], [CHN]	B	82.1/121.3
Q800	1530002060	S.TR 2SC4081 T106 R	B	99.6/60.3
Q860	1530002060	S.TR 2SC4081 T106 R	B	89.2/69.9
Q900	1560000341	S.FET 2SK210-Y (TE85R,F)	T	92/70.1
Q1000	1590001870	S.TR DTA114EE TL [FRA], [AUS], [CHN]	T	70.5/67.4
	1590003570	S.TR BCR183T	T	70.5/67.4
		except [FRA], [AUS], [CHN]	T	70.5/67.4
Q1001	1530002060	S.TR 2SC4081 T106 R	T	60.7/60.5
Q2101	1590003530	S.TR BCR08PN	T	51/58.3
		except [FRA], [AUS], [CHN]	T	51/58.3
	1590003930	S.TR UMD22N TR [FRA], [AUS], [CHN]	T	51/58.3
Q2301	1590003530	S.TR BCR08PN	T	51.1/50.6
		except [FRA], [AUS], [CHN]	T	51.1/50.6
	1590003930	S.TR UMD22N TR [FRA], [AUS], [CHN]	T	51.1/50.6
Q2551	1590003530	S.TR BCR08PN	T	51.7/72.1
		except [FRA], [AUS], [CHN]	T	51.7/72.1
	1590003930	S.TR UMD22N TR [FRA], [AUS], [CHN]	T	51.7/72.1
Q3001	1530003781	S.TR 2SC5624VH-TL-E	T	48/124
Q3002	1530003781	S.TR 2SC5624VH-TL-E	T	50.5/124
Q4000	1590001870	S.TR DTA114EE TL [FRA], [AUS], [CHN]	B	153.3/57.9
	1590003570	S.TR BCR183T	B	153.3/57.9
		except [FRA], [AUS], [CHN]	B	153.3/57.9
Q4450	1590003520	S.TR BCR108T	B	163.3/80.7
		except [FRA], [AUS], [CHN]	B	163.3/80.7
	1590003940	S.TR RN1105 (TE85L,F)	B	163.3/80.7
		[FRA], [AUS], [CHN]	B	163.3/80.7
Q4451	1590003520	S.TR BCR108T	B	160.1/80.6
		except [FRA], [AUS], [CHN]	B	160.1/80.6
	1590003940	S.TR RN1105 (TE85L,F)	B	160.1/80.6
		[FRA], [AUS], [CHN]	B	160.1/80.6
Q4452	1590001870	S.TR DTA114EE TL [FRA], [AUS], [CHN]	B	163.6/83.7
	1590003570	S.TR BCR183T	B	163.6/83.7
		except [FRA], [AUS], [CHN]	B	163.6/83.7
Q4453	1590001870	S.TR DTA114EE TL [FRA], [AUS], [CHN]	B	161/83.7
	1590003570	S.TR BCR183T	B	161/83.7
		except [FRA], [AUS], [CHN]	B	161/83.7
Q5000	1590001870	S.TR DTA114EE TL [FRA], [AUS], [CHN]	B	127/70.3
	1590003570	S.TR BCR183T	B	127/70.3
		except [FRA], [AUS], [CHN]	B	127/70.3
Q5018	1530002060	S.TR 2SC4081 T106 R	T	114.2/67.1
Q5100	1560000341	S.FET 2SK210-Y (TE85R,F)	T	124.4/102.6
Q5101	1530002561	S.TR 2SC4403-3-TL-E	T	118.9/99.9
Q5150	1530002561	S.TR 2SC4403-3-TL-E	T	119.8/109.9
Q5200	1530002561	S.TR 2SC4403-3-TL-E	T	127.2/109.3
Q5400	1530002060	S.TR 2SC4081 T106 R	B	169.8/32.4
Q5500	1530002601	S.TR 2SC4215-O (TE85R,F)	T	133.3/46.9
Q5601	1560000341	S.FET 2SK210-Y (TE85R,F)	T	158.9/12.9
Q5602	1530002060	S.TR 2SC4081 T106 R	B	158.5/16.4
Q5603	1530002060	S.TR 2SC4081 T106 R	T	149.4/26.2
		except [FRA], [AUS], [CHN]	T	172.5/28.3
Q5604	1590003930	S.TR UMD22N TR [FRA], [AUS], [CHN]	T	172.5/28.3

[PLL UNIT]

REF NO.	ORDER NO.	DESCRIPTION	M.	H/V LOCATION
D750	1750000520	S.DIO DAN222TL	B	90.6/57
D900	1790000491	S.DIO HSM88ASTR-E	T	98.1/72.2
D901	1790000491	S.DIO HSM88ASTR-E	T	94.7/72.2
D930	1720000590	S.VCP MA357 (TX)	T	100.2/68.2
D931	1720000590	S.VCP MA357 (TX)	T	104.4/72.1
D1000	1750000520	S.DIO DAN222TL	B	81.8/64.8
D1451	1750000581	S.DIO 1SV307 (TPH3,F)	B	154.2/96.8
D1452	1750000581	S.DIO 1SV307 (TPH3,F)	B	148.1/99.6
D1453	1750000581	S.DIO 1SV307 (TPH3,F)	B	157.4/97.6
D1454	1750000581	S.DIO 1SV307 (TPH3,F)	B	155.5/100.7
D2000	1750000581	S.DIO 1SV307 (TPH3,F)	B	57.1/106.1
D2001	1750000581	S.DIO 1SV307 (TPH3,F)	B	56/109.1
D2050	1750000581	S.DIO 1SV307 (TPH3,F)	T	37.2/60
D2051	1750000581	S.DIO 1SV307 (TPH3,F)	T	38.9/61.7
D2052	1750000581	S.DIO 1SV307 (TPH3,F)	T	41.1/58.8
D2053	1750000581	S.DIO 1SV307 (TPH3,F)	T	42.2/56
D2200	1750000581	S.DIO 1SV307 (TPH3,F)	B	21.8/112.7
D2652	1750000581	S.DIO 1SV307 (TPH3,F)	B	7.2/83.2
D2855	1750000581	S.DIO 1SV307 (TPH3,F)	B	18.6/111.6
D2856	1750000581	S.DIO 1SV307 (TPH3,F)	B	4.3/84.2
D3101	1750000581	S.DIO 1SV307 (TPH3,F)	B	31.3/123.6
D3102	1750000581	S.DIO 1SV307 (TPH3,F)	B	19/123.1
D3404	1750000581	S.DIO 1SV307 (TPH3,F)	B	13/83.2
D4000	1750000520	S.DIO DAN222TL	B	149.9/51.8
D5000	1750000520	S.DIO DAN222TL	B	129.5/68.5
D5100	1720000261	S.VCP 1SV214 (TPH2,F)	T	132.7/95.7
D5101	1720000261	S.VCP 1SV214 (TPH2,F)	B	130.7/95.8
D5102	1720000261	S.VCP 1SV214 (TPH2,F)	T	132.7/93.9
D5103	1720000261	S.VCP 1SV214 (TPH2,F)	B	133.3/95.8
D5601	1790000590	S.VCP MA357 (TX)	T	146.5/10.9
D5602	1790000590	S.VCP MA357 (TX)	T	150.7/14.8
D5603	1720000491	S.DIO HSM88ASTR-E	T	152.8/10.8
D5604	1790000491	S.DIO HSM88ASTR-E	T	156.2/10.8
FI700	2020001820	S.CER SFECV10M5FA00-R0 (SFECV10.5MAA5S)	T	101.9/41.7
FI5400	2020001810	S.CER SFECV10M7FA00-R0 (SFECV10.7MA5S)	T	148.4/48.8
L100	6200003261	S.COL NLV32T-101J	B	51.7/20.8
L106	6200003261	S.COL NLV32T-101J	T	36.5/32.5
L200	6200003261	S.COL NLV32T-101J	B	17/8.1
L300	6200003261	S.COL NLV32T-101J	T	36.4/18.9
L301	6200003261	S.COL NLV32T-101J	B	127.8/8.3
L350	6200003261	S.COL NLV32T-101J	B	106.5/17.3
L450	6200005491	S.COL NLV32T-331J	B	119.8/61.9
L550	6150004971	S.COL LS-522-LF	T	123.2/38.6
L551	6150004971	S.COL LS-522-LF	T	120.3/48.8
L552	6200003261	S.COL NLV32T-101J	B	118.1/58.5
L601	6200003261	S.COL NLV32T-101J	B	102/94.9
L602	6200003261	S.COL NLV32T-101J	B	102/97.9
L603	6200003261	S.COL NLV32T-101J	B	102/100.9
L604	6200003261	S.COL NLV32T-101J	B	78.2/114.1
L605	6200003261	S.COL NLV32T-101J	B	78.2/117.7
L606	6200003261	S.COL NLV32T-101J	B	78.2/121.3
L750	6200001831	S.COL NLV32T-100J	B	74.6/50.5
L900	6200001831	S.COL NLV32T-100J	T	91.3/65.5
L930	6130002970	COL LB-343		
L1000	6200001831	S.COL NLV32T-100J	B	64.9/70.2
L1001	6200003261	S.COL NLV32T-101J	T	61.3/55.3
L1300	6200003300	S.COL ELJNC R22K-F	B	76.5/108.7
L1302	6200001920	S.COL ELJNC R15K-F	B	62.1/108.8
L1351	6200001920	S.COL ELJNC R15K-F	B	71.4/97.3
L2051	6200005701	S.COL ELJRE 22NGFA	T	42.8/60.7
L2052	6200005661	S.COL ELJRE 10NGFA	T	49/62.2
L2053	6200005691	S.COL ELJRE 18NGFA	T	44.7/51.8
L2101	6200005741	S.COL ELJRE 47NGFA	T	38.8/50.4
L2201	6200005511	S.COL NLV25T-100J	B	55.6/71.6
L2202	6200005731	S.COL ELJRE 39NGFA	B	55.6/64.9
L2203	6200005661	S.COL ELJRE 10NGFA	T	44.1/66.1
L2400	6200007001	S.COL ELJRE 82NGFA	T	25/43.1
L2401	6200006671	S.COL ELJRE 68NGFA	T	22.9/42.5
L2402	6200009531	S.COL ELJRE R15GFA	T	18.8/45.3
L2403	6200009101	S.COL ELJRE R18GFA	T	16.8/45.8
L2510	6200003261	S.COL NLV32T-101J	B	6/116.4
L2511	6200003261	S.COL NLV32T-101J	T	6.3/118.8
L2512	6200003261	S.COL NLV32T-101J	T	6.4/115.8
L2513	6200003261	S.COL NLV32T-101J	B	19.7/96.7
L2514	6200003261	S.COL NLV32T-101J	B	19.7/93.2
L2515	6200003261	S.COL NLV32T-101J	B	19.7/89.7
L2516	6200003261	S.COL NLV32T-101J	B	19.7/86.2
L2553	6200005681	S.COL ELJRE 15NGFA	B	37.9/87.5
L3002	6200010770	S.COL C2520C-R68G-A [EUR], [UK]	B	52.3/122.9
L3003	6140002551	S.COL #617DB-1919=P3	T	49.1/119
L3010	6200009181	S.COL ELJRE R10JFA	B	50/114
L3011	6200009181	S.COL ELJRE R10JFA	B	45.2/116.4
L3101	6200005631	S.COL ELJRE 5N6ZFA	B	31.6/121.6
L3102	6200005651	S.COL ELJRE 8N2ZFA	B	29.1/120.6
L3103	6200005691	S.COL ELJRE 18NGFA	B	23.9/115.8
L3104	6200005671	S.COL ELJRE 12NGFA	B	22.6/118
L3105	6200006691	S.COL ELJRE R10GFA	B	25.1/126.4
L3106	6200003261	S.COL NLV32T-101J	B	18.6/126.1
L4000	6200001831	S.COL NLV32T-100J	B	150.3/65.2
L4001	6200003261	S.COL NLV32T-101J	B	170.6/81.1
L4002	6200003261			

[PLL UNIT]

REF NO.	ORDER NO.	DESCRIPTION	M.	H/V LOCATION
L4501	6200003261	S.COL NLV32T-101J	B	160.7/119
L4502	6200003261	S.COL NLV32T-101J	B	160.7/122
L4503	6200001920	S.COL ELJNC R15K-F	B	166.2/91.7
L5000	6200005491	S.COL NLV32T-331J	B	120.9/72.6
L5002	6200010800	S.COL C2520C-4R7G-A	T	133.5/102
L5003	6200010800	S.COL C2520C-4R7G-A	T	135.1/87.8
L5100	6190001281	COL #E544GN-110248		
L5101	6200003261	S.COL NLV32T-101J	B	122.1/97
L5102	6200002631	S.COL NLV25T-R10J	T	118.9/95.7
L5103	6200003331	S.COL NLV32T-R10J	B	116.5/91.5
L5150	6200001831	S.COL NLV32T-100J	T	116.1/108.8
L5151	6200010660	S.COL C2520C-R15G-A (0.15U)	T	122.6/113.8
L5152	6200010670	S.COL C2520C-R18G-A (0.18U)	T	118.6/118.5
L5200	6200001831	S.COL NLV32T-100J	T	123.5/108.8
L5201	6200010660	S.COL C2520C-R15G-A (0.15U)	T	128/114.8
L5202	6200010670	S.COL C2520C-R18G-A (0.18U)	T	131.2/118.1
L5300	6200001831	S.COL NLV32T-100J	B	145.5/34.9
L5500	6200001831	S.COL NLV32T-100J	T	131.4/51
L5501	6200002641	S.COL NLV25T-R15J	T	131.1/41.7
L5502	6200002841	S.COL NLV25T-R22J	T	130.4/38.8
L5601	6130002970	COL LB-343		
L5602	6200001831	S.COL NLV32T-100J	T	159.6/17.4
R107	7030003550	S.RES ERJ3GEYJ 822 V (8.2 k)	T	41.7/22.1
R108	7030003550	S.RES ERJ3GEYJ 822 V (8.2 k)	T	43.1/22.1
R109	7030003550	S.RES ERJ3GEYJ 822 V (8.2 k)	T	44.4/22.1
R110	7030003550	S.RES ERJ3GEYJ 822 V (8.2 k)	T	39.3/32.9
R111	7030003360	S.RES ERJ3GEYJ 221 V (220)	T	45/31.7
R112	7030003360	S.RES ERJ3GEYJ 221 V (220)	T	31.5/7.8
R113	7030003360	S.RES ERJ3GEYJ 221 V (220)	T	31.9/16.8
R114	7030003360	S.RES ERJ3GEYJ 221 V (220)	T	30.3/7.2
R115	7030003360	S.RES ERJ3GEYJ 221 V (220)	T	30.7/16.8
R116	7030003360	S.RES ERJ3GEYJ 221 V (220)	T	28.3/16.8
R117	7030003360	S.RES ERJ3GEYJ 221 V (220)	T	26.7/7.8
R118	7030003360	S.RES ERJ3GEYJ 221 V (220)	T	25.5/7.8
R119	7030003360	S.RES ERJ3GEYJ 221 V (220)	T	29.5/16.8
R120	7030003360	S.RES ERJ3GEYJ 221 V (220)	T	24.7/16.8
R121	7030003360	S.RES ERJ3GEYJ 221 V (220)	T	24.3/7.8
R122	7030003550	S.RES ERJ3GEYJ 822 V (8.2 k)	T	45/33.7
R124	7030003550	S.RES ERJ3GEYJ 822 V (8.2 k)	T	41.6/32.5
R125	7030003550	S.RES ERJ3GEYJ 822 V (8.2 k)	T	42.9/32.5
R205	7030003640	S.RES ERJ3GEYJ 473 V (47 k)	T	33.7/30.5
R206	7030003640	S.RES ERJ3GEYJ 473 V (47 k)	T	19.1/30.5
R207	7030003640	S.RES ERJ3GEYJ 473 V (47 k)	T	32.4/30.5
R208	7030003640	S.RES ERJ3GEYJ 473 V (47 k)	T	17.8/30.5
R209	7030003640	S.RES ERJ3GEYJ 473 V (47 k)	T	31.1/30.5
R210	7030003640	S.RES ERJ3GEYJ 473 V (47 k)	T	16.5/30.5
R211	7030003640	S.RES ERJ3GEYJ 473 V (47 k)	T	29.8/30.5
R212	7030003640	S.RES ERJ3GEYJ 473 V (47 k)	T	15.2/30.5
R213	7030003640	S.RES ERJ3GEYJ 473 V (47 k)	T	28.5/30.5
R214	7030003640	S.RES ERJ3GEYJ 473 V (47 k)	T	13.9/30.5
R215	7030003640	S.RES ERJ3GEYJ 473 V (47 k)	T	27.2/30.5
R216	7030003640	S.RES ERJ3GEYJ 473 V (47 k)	T	12.6/30.5
R217	7030003640	S.RES ERJ3GEYJ 473 V (47 k)	T	25.9/30.5
R218	7030003640	S.RES ERJ3GEYJ 473 V (47 k)	T	11.3/30.5
R219	7030003640	S.RES ERJ3GEYJ 473 V (47 k)	T	24.6/30.5
R220	7030003640	S.RES ERJ3GEYJ 473 V (47 k)	T	10/30.5
R221	7030003200	S.RES ERJ3GEYJ 100 V (10)	B	34/34.7
R222	7030003200	S.RES ERJ3GEYJ 100 V (10)	B	32.7/33.9
R223	7030003200	S.RES ERJ3GEYJ 100 V (10)	B	31.4/34.7
R224	7030003200	S.RES ERJ3GEYJ 100 V (10)	B	30.1/33.9
R225	7030003200	S.RES ERJ3GEYJ 100 V (10)	B	28.8/34.7
R226	7030003200	S.RES ERJ3GEYJ 100 V (10)	B	27.5/33.9
R227	7030003200	S.RES ERJ3GEYJ 100 V (10)	B	26.2/34.7
R228	7030003200	S.RES ERJ3GEYJ 100 V (10)	B	24.9/33.9
R229	7030003200	S.RES ERJ3GEYJ 100 V (10)	B	19/33.9
R230	7030003200	S.RES ERJ3GEYJ 100 V (10)	B	17.8/33.9
R232	7030003200	S.RES ERJ3GEYJ 100 V (10)	B	15.2/33.9
R233	7030003200	S.RES ERJ3GEYJ 100 V (10)	B	13.9/33.9
R234	7030003200	S.RES ERJ3GEYJ 100 V (10)	B	12.6/33.9
R235	7030003200	S.RES ERJ3GEYJ 100 V (10)	B	11.3/33.9
R236	7030003200	S.RES ERJ3GEYJ 100 V (10)	B	10/33.9
R350	7030003360	S.RES ERJ3GEYJ 221 V (220)	T	112.9/17.6
R351	7030003360	S.RES ERJ3GEYJ 221 V (220)	T	111.6/17.6
R352	7030003360	S.RES ERJ3GEYJ 221 V (220)	T	110.3/17.6
R401	7030010260	S.RES ERJ1TYJ 3R3 U	T	45.8/13.9
R402	7030011220	S.RES ERJ1TY 180U (18)	B	78.8/20.3
R403	7030011220	S.RES ERJ1TY 180U (18)	B	78.8/16.6
R450	7030003340	S.RES ERJ3GEYJ 151 V (150)	T	127.3/56.6
R451	7030003240	S.RES ERJ3GEYJ 220 V (22)	T	124.6/60.9
R452	7030003640	S.RES ERJ3GEYJ 473 V (47 k)	T	127.3/59
R453	7030003360	S.RES ERJ3GEYJ 221 V (220)	T	127.5/62.8
R454	7030003320	S.RES ERJ3GEYJ 101 V (100)	T	132.7/64.1
R455	7030003860	S.RES ERJ3GE JPW V	T	132.7/62.8
R500	7030003440	S.RES ERJ3GEYJ 102 V (1 k)	T	65.9/39.8
R501	7030003320	S.RES ERJ3GEYJ 101 V (100)	T	69.6/36.1
R502	7030003480	S.RES ERJ3GEYJ 222 V (2.2 k)	T	65.9/33.6
R550	7030003400	S.RES ERJ3GEYJ 471 V (470)	T	125/45.5
R551	7030003600	S.RES ERJ3GEYJ 223 V (22 k)	T	119.9/42.9
R552	7030003560	S.RES ERJ3GEYJ 103 V (10 k)	T	126.2/43.4
R553	7030003260	S.RES ERJ3GEYJ 330 V (33)	B	118.4/47.8
R605	7030003860	S.RES ERJ3GE JPW V	B	130.4/42.9
R606	7030003410	S.RES ERJ3GEYJ 561 V (560)	T	118.4/39.1
R607	7030007860	S.RES ERJ3GEYJ 8R2V (8.2)	T	119.5/36.5
R608	7030003410	S.RES ERJ3GEYJ 561 V (560)	T	117.2/36.5
R650	7030007220	S.RES ERA3YED 202V (2 k)	T	78.5/33
R651	7030007220	S.RES ERA3YED 202V (2 k)	T	79.2/34.9
R652	7030007230	S.RES ERA3YED 102V (1 k)	T	80.6/32.7
R653	7030007220	S.RES ERA3YED 202V (2 k)	T	80.6/35.3
R654	7030007230	S.RES ERA3YED 102V (1 k)	T	81.9/32.7
R655	7030007220	S.RES ERA3YED 202V (2 k)	T	81.9/35.3
R656	7030007230	S.RES ERA3YED 102V (1 k)	T	83.3/32.7
R657	7030007220	S.RES ERA3YED 202V (2 k)	T	83.2/35.3

[PLL UNIT]

REF NO.	ORDER NO.	DESCRIPTION	M.	H/V LOCATION
R658	7030007230	S.RES ERA3YED 102V (1 k)	T	84.5/32.7
R659	7030007220	S.RES ERA3YED 202V (2 k)	T	84.5/35.3
R660	7030007230	S.RES ERA3YED 102V (1 k)	T	85.8/32.7
R661	7030007220	S.RES ERA3YED 202V (2 k)	T	85.8/35.3
R662	7030007230	S.RES ERA3YED 102V (1 k)	T	87.1/32.7
R663	7030007220	S.RES ERA3YED 202V (2 k)	T	87.1/35.3
R664	7030007210	S.RES ERA3YEB 102V (1 k)	T	88.4/32.7
R665	7030007200	S.RES ERA3YEB 202V (2 k)	T	88.4/35.3
R666	7030007210	S.RES ERA3YEB 102V (1 k)	T	90.4/32.6
R667	7030007200	S.RES ERA3YEB 202V (2 k)	T	90/35.6
R668	7030007210	S.RES ERA3YEB 102V (1 k)	T	92.4/32.4
R669	7030007200	S.RES ERA3YEB 202V (2 k)	T	92.6/35.6
R670	7030007210	S.RES ERA3YEB 102V (1 k)	T	93.7/32.4
R671	7030007200	S.RES ERA3YEB 202V (2 k)	T	95.2/35.6
R672	7030007210	S.RES ERA3YEB 102V (1 k)	T	95.5/32.4
R673	7030007200	S.RES ERA3YEB 202V (2 k)	T	98.5/34.1
R700	7030003440	S.RES ERJ3GEYJ 102 V (1 k)	B	96.9/44.3
R701	7030003800	S.RES ERJ3GEYJ 105 V (1 M)	T	102.1/52.5
R702	7030003200	S.RES ERJ3GEYJ 100 V (10)	T	99.6/48.4
R703	7030003860	S.RES ERJ3GE JPW V	T	103.9/47
R704	7030003400	S.RES ERJ3GEYJ 471 V (470)	T	101.7/32.7
R705	7030003860	S.RES ERJ3GE JPW V	T	100.7/35.7
R706	7030003860	S.RES ERJ3GE JPW V	T	102.9/32.7
R750	7030003360	S.RES ERJ3GEYJ 221 V (220)	T	76.4/44.4
R751	7030003440	S.RES ERJ3GEYJ 102 V (1 k)	T	76.4/43.2
R752	7030003800	S.RES ERJ3GEYJ 105 V (1 M)	T	75.3/51.2
R753	7030003400	S.RES ERJ3GEYJ 102 V (1 k)	T	76.4/41.6
R754	7030003440	S.RES ERJ3GEYJ 102 V (1 k)	T	76.4/40.3
R755	7030003440	S.RES ERJ3GEYJ 102 V (1 k)	T	77.7/58.4
R756	7030003860	S.RES ERJ3GE JPW V	T	76.5/51.2
R757	7030003320	S.RES ERJ3GEYJ 101 V (100)	T	77.7/51.2
R758	7030003440	S.RES ERJ3GEYJ 102 V (1 k)	B	95.2/57
R760	7030003320	S.RES ERJ3GEYJ 101 V (100)	B	77.5/44.4
R800	7030003860	S.RES ERJ3GE JPW V	B	95.8/63.5
R802	7030003240	S.RES ERJ3GEYJ 220 V (22)	B	106.4/59.8
R803	7030003640	S.RES ERJ3GEYJ 473 V (47 k)	B	101.6/59.8
R804	7030003360	S.RES ERJ3GEYJ 221 V (220)	B	103.2/59.8
R830	7030003500	S.RES ERJ3GEYJ 332 V (3.3 k)	B	102.6/83.9
R831	7030003470	S.RES ERJ3GEYJ 182 V (1.8 k)	B	101.1/85.9
R832	7030003470	S.RES ERJ3GEYJ 182 V (1.8 k)	B	97.1/88.2
R834	7030003500	S.RES ERJ3GEYJ 332 V (3.3 k)	B	99.5/89
R835	7010003281	RES PSD1/4V 100	B	91.4/87.4
R835	7030003320	S.RES ERJ3GEYJ 101 V (100)	B	91.4/87.4
R836	7030003840	S.RES ERJ3GEYJ 225 V (2.2 M)	B	96.6/60
R837	7030005321	S.RES ERA3YED 103V (10 k)	T	93.9/57.7
R838	7030010600	S.RES ERA3YHD 150V (15)	B	96.6/54.4
R839	7030009661	S.RES ERA3YED 121V (120)	T	91.2/57.2
R860	7030003860	S.RES ERJ3GE JPW V	B	90.5/65.8
R861	7030003400	S.RES ERJ3GEYJ 471 V (470)	B	92.7/63.5
R862	7030003860	S.RES ERJ3GE JPW V	B	93/66.9
R863	7030003320	S.RES ERJ3GEYJ 101 V (100)	B	92.5/73.7
R864	7030003360	S.RES ERJ3GEYJ 221 V (220)	B	92.2/72.1
R865	7030003640	S.RES ERJ3GEYJ 473 V (47 k)	B	91.4/69.7
R900	7030003320	S.RES ERJ3GEYJ 101 V (100)	B	86.7/73.9
R901	7030003350	S.RES ERJ3GEYJ 181 V (180)	T	89.7/73.5
R902	7030003340	S.RES ERJ3GEYJ 151 V (150)	T	88.4/65.5
R903	7030003680	S.RES ERJ3GEYJ 104 V (100 k)	T	91/73.5
R904	7030003860	S.RES ERJ3GEYJ 104 V (100 k)	T	88.7/70.3
R930	7030003560	S.RES ERJ3GEYJ 103 V (10 k)	T	101/65.8
R931	7030003560	S.RES ERJ3GEYJ 103 V (10 k)	T	103/66.8
R932	7030003440	S.RES ERJ3GEYJ 102 V (1 k)	B	104.9/66.8
R1000	7030003490	S.RES ERJ3GEYJ 272 V (2.7 k)	T	69.4/73.4
R1001	7030003320	S.RES ERJ3GEYJ 101 V (100)	B	70.7/67.1
R1002	7030003360	S.RES ERJ3GEYJ 221 V (220)	B	63.4/58.5
R1003	7030003360	S.RES ERJ3GEYJ 221 V (220)	B	65.2/58.5
R1004	7030003360	S.RES ERJ3GEYJ 221 V (220)	B	67/58.5
R1005	7030003440	S.RES ERJ3GEYJ 102 V (1 k)	T	70.7/65.8
R1006	7030003520	S.RES ERJ3GEYJ 472 V (4.7 k)	T	60.6/58.6
R1007	7030009961	S.RES ERA3YED 221V (220)	B	68.5/71.4
R1009	7030007230	S.RES ERA3YED 102V (1 k)	B	70.1/69.5
R1010	7030007230	S.RES ERA3YED 102V (1 k)	B	73.8/69.1
R1011	7030003860	S.RES ERJ3GE JPW V	B	79.8/82.9
R1014	7030003860	S.RES ERJ3GE JPW V	B	74.6/66.3
R1016	7030003860	S.RES ERJ3GE JPW V	B	70.5/63.0
R1303	7030003220	S.RES ERJ3GEYJ 150 V (15)	B	71.1/111.8
R1304	7030003270	S.RES ERJ3GEYJ 390 V (39)	B	69.3/108.7
R1305	7030003260	S.RES ERJ3GEYJ 330 V (33)	B	68.5/105.2
R1306	7030003250	S.RES ERJ3GEYJ 270 V (27)	B	68.5/106.5
R1307	7030003200	S.RES ERJ3GEYJ 100 V (10)	B	82.2/108.4
R1308	7030003200	S.RES ERJ3GEYJ 100 V (10)		

[PLL UNIT]

REF NO.	ORDER NO.	DESCRIPTION	M.	H/V LOCATION
R2301	7030003200	S.RES ERJ3GEYJ 100 V (10)	T	43.8/43
R2302	7030003860	S.RES ERJ3GE JPW V	T	39.8/45.6
R2304	7030003310	S.RES ERJ3GEYJ 820 V (82)	T	26.2/43.3
		[FRA], [AUS], [CHN]		
	7030003320	S.RES ERJ3GEYJ 101 V (100)	T	26.2/43.3
		except [FRA], [AUS], [CHN]		
R2306	7030003320	S.RES ERJ3GEYJ 101 V (100)	T	26/45.9
R2307	7030003200	S.RES ERJ3GEYJ 100 V (10)	T	37/42.2
R2308	7030003440	S.RES ERJ3GEYJ 102 V (1 k)	T	31.6/43.6
R2309	7030003560	S.RES ERJ3GEYJ 103 V (10 k)	T	29.5/46.9
R2310	7030003200	S.RES ERJ3GEYJ 100 V (10)	T	27.4/43
R2500	7030003350	S.RES ERJ3GEYJ 181 V (180)	T	5.6/84.5
R2501	7030003250	S.RES ERJ3GEYJ 270 V (27)	T	7.6/83.7
R2502	7030003350	S.RES ERJ3GEYJ 181 V (180)	T	5.6/83
R2561	7030003520	S.RES ERJ3GEYJ 472 V (4.7 k)	B	19.4/116.1
R2562	7030003440	S.RES ERJ3GEYJ 102 V (1 k)	B	21.9/109.9
R2563	7030003520	S.RES ERJ3GEYJ 472 V (4.7 k)	B	19.4/121.2
R2564	7030003440	S.RES ERJ3GEYJ 102 V (1 k)	B	19.4/109.2
R2565	7030003430	S.RES ERJ3GEYJ 821 V (820)	B	37.2/81.7
R2566	7030004030	S.RES ERJ3GEYJ 5R6 V (5.6)	B	40.5/81.7
R2567	7030003430	S.RES ERJ3GEYJ 821 V (820)	B	43.9/80.9
R2571	7030003330	S.RES ERJ3GEYJ 121 V (120)	B	30.9/34.4
R2572	7030003290	S.RES ERJ3GEYJ 560 V (56)	B	29.2/90.8
R2573	7030003330	S.RES ERJ3GEYJ 121 V (120)	B	29.2/87.5
R2574	7030003200	S.RES ERJ3GEYJ 100 V (10)	B	37.9/90.8
R3003	7030003520	S.RES ERJ3GEYJ 472 V (4.7 k)	B	11.9/85.7
R3006	7030003370	S.RES ERJ3GEYJ 271 V (270)	B	48.4/121.2
R3007	7030003230	S.RES ERJ3GEYJ 180 V (18)	B	47.6/123.6
R3008	7030003370	S.RES ERJ3GEYJ 271 V (270)	B	46.8/121.2
R3009	7030003320	S.RES ERJ3GEYJ 101 V (100)	B	51.6/112.4
R3012	7030003320	S.RES ERJ3GEYJ 101 V (100)	B	43.6/118
R3013	7030003380	S.RES ERJ3GEYJ 331 V (330)	T	46.1/124
R3014	7030003400	S.RES ERJ3GEYJ 471 V (470)	B	51.6/120.4
R3015	7030003480	S.RES ERJ3GEYJ 222 V (2.2 k)	B	51.6/118.8
R3016	7030003200	S.RES ERJ3GEYJ 100 V (10)	B	55.5/120.2
R3101	7030003440	S.RES ERJ3GEYJ 102 V (1 k)	B	28.4/123.9
R3102	7030003440	S.RES ERJ3GEYJ 102 V (1 k)	B	21.9/123.9
R4000	7030003400	S.RES ERJ3GEYJ 471 V (470)	T	155.2/67
R4001	7030003360	S.RES ERJ3GEYJ 221 V (220)	B	151.7/61.4
R4002	7030003320	S.RES ERJ3GEYJ 101 V (100)	B	153.5/61.4
R4003	7030003360	S.RES ERJ3GEYJ 221 V (220)	B	147.3/59.3
R4004	7030003360	S.RES ERJ3GEYJ 221 V (220)	B	148.5/60.7
R4005	7030003360	S.RES ERJ3GEYJ 221 V (220)	B	148.5/62.5
R4006	7030003440	S.RES ERJ3GEYJ 102 V (1 k)	B	151.9/54.7
R4007	7030003840	S.RES ERJ3GEYJ 225 V (2.2 M)	B	159.7/65.6
R4050	7030007230	S.RES ERA3YED 102V (1 k)	T	157.1/64.1
R4051	7030007661	S.RES ERA3YED 331V (330)	T	158.4/64.1
R4403	7030003200	S.RES ERJ3GEYJ 100 V (10)	B	139/107
R4404	7030003440	S.RES ERJ3GEYJ 102 V (1 k)	B	151.6/96.1
R4450	7030003440	S.RES ERJ3GEYJ 102 V (1 k)	B	158/90.9
R4451	7030003440	S.RES ERJ3GEYJ 102 V (1 k)	B	152.8/99.9
R4452	7030003680	S.RES ERJ3GEYJ 104 V (100 k)	B	164.3/86.1
R4453	7030003440	S.RES ERJ3GEYJ 102 V (1 k)	B	160.1/98.6
R4454	7030003680	S.RES ERJ3GEYJ 104 V (100 k)	B	167/118.5
R4504	7030003320	S.RES ERJ3GEYJ 101 V (100)	B	169.8/117.9
R4505	7030003310	S.RES ERJ3GEYJ 820 V (82)	B	172.5/119.4
R4512	7030003220	S.RES ERJ3GEYJ 150 V (15)	B	160.1/102.5
R4513	7030003220	S.RES ERJ3GEYJ 150 V (15)	B	160.8/105
R4514	7030003240	S.RES ERJ3GEYJ 220 V (22)	B	162.6/101.7
R4515	7030003200	S.RES ERJ3GEYJ 100 V (10)	B	170.4/94.2
R4516	7030003230	S.RES ERJ3GEYJ 180 V (18)	B	161.4/91.5
R4517	7030003370	S.RES ERJ3GEYJ 271 V (270)	B	160.7/94.1
R4518	7030003370	S.RES ERJ3GEYJ 271 V (270)	B	167.7/98.7
R4519	7030003340	S.RES ERJ3GEYJ 151 V (150)	B	165.2/101
R4520	7030007860	S.RES ERJ3GEYJ 8R2V (8.2)	B	162.6/98.4
R5000	7030003360	S.RES ERJ3GEYJ 221 V (220)	B	123.3/71.4
R5001	7030003360	S.RES ERJ3GEYJ 221 V (220)	B	125.1/71.4
R5002	7030003360	S.RES ERJ3GEYJ 221 V (220)	B	124.2/68.8
R5004	7030003320	S.RES ERJ3GEYJ 101 V (100)	B	149.3/81.1
R5005	7030003440	S.RES ERJ3GEYJ 102 V (1 k)	B	130.2/70.9
R5006	7030003320	S.RES ERJ3GEYJ 101 V (100)	B	128/73
R5007	7030003500	S.RES ERJ3GEYJ 332 V (3.3 k)	B	141.5/74.7
R5008	7030003860	S.RES ERJ3GE JPW V	T	129.6/78.8
R5009	7030003470	S.RES ERJ3GEYJ 182 V (1.8 k)	B	141.5/76.5
R5010	7030003500	S.RES ERJ3GEYJ 332 V (3.3 k)	B	140.2/82.9
R5011	7030003470	S.RES ERJ3GEYJ 182 V (1.8 k)	B	135.2/101.8
R5013	7030010450	S.RES ERA3YED 391V (390)	T	130.5/76.2
R5014	7030003860	S.RES ERJ3GE JPW V	T	130.5/77.5
R5015	7030003840	S.RES ERJ3GEYJ 225 V (2.2 M)	B	140.2/86.5
R5016	7030003440	S.RES ERJ3GEYJ 102 V (1 k)	B	131.4/98.7
R5017	7030003440	S.RES ERJ3GEYJ 102 V (1 k)	B	136/92.2
R5019	7030003860	S.RES ERJ3GE JPW V	B	118.9/64.4
R5020	7030003240	S.RES ERJ3GEYJ 220 V (22)	B	115.9/71.6
R5021	7030003360	S.RES ERJ3GEYJ 221 V (220)	B	115.9/69.8
R5022	7030003640	S.RES ERJ3GEYJ 473 V (47 k)	B	116.6/67.2
R5100	7030003320	S.RES ERJ3GEYJ 101 V (100)	B	124.9/100.8
R5101	7030003680	S.RES ERJ3GEYJ 104 V (100 k)	T	126.6/102.8
R5102	7030003680	S.RES ERJ3GEYJ 104 V (100 k)	B	128.7/102.8
R5103	7030003370	S.RES ERJ3GEYJ 271 V (270)	B	122.9/93.5
R5104	7030003500	S.RES ERJ3GEYJ 332 V (3.3 k)	T	120.8/98
R5105	7030003550	S.RES ERJ3GEYJ 822 V (8.2 k)	T	120.8/102.5
R5106	7030003320	S.RES ERJ3GEYJ 101 V (100)	B	119.4/95.7
R5107	7030003370	S.RES ERJ3GEYJ 271 V (270)	T	119.5/102.7
R5108	7030003400	S.RES ERJ3GEYJ 471 V (470)	B	115.7/102.5
R5109	7030003370	S.RES ERJ3GEYJ 271 V (270)	B	117.5/102.5
R5110	7030003230	S.RES ERJ3GEYJ 180 V (18)	B	117.5/105.8
R5111	7030003370	S.RES ERJ3GEYJ 271 V (270)	B	120.1/110
R5112	7030003200	S.RES ERJ3GEYJ 100 V (10)	B	120.5/85.7
R5113	7030003860	S.RES ERJ3GE JPW V	B	120.9/107.8
R5150	7030003400	S.RES ERJ3GEYJ 471 V (470)	T	123.7/106.6
R5151	7030003510	S.RES ERJ3GEYJ 392 V (3.9 k)	T	119.8/108
R5152	7030003510	S.RES ERJ3GEYJ 392 V (3.9 k)	T	118.1/106.6
R5153	7030003360	S.RES ERJ3GEYJ 221 V (220)	T	116.8/112.3
R5154	7030003370	S.RES ERJ3GEYJ 271 V (270)	T	122.2/116.7

[PLL UNIT]

REF NO.	ORDER NO.	DESCRIPTION	M.	H/V LOCATION
R5155	7030003230	S.RES ERJ3GEYJ 180 V (18)	T	122.2/118
R5156	7030003370	S.RES ERJ3GEYJ 271 V (270)	T	124.2/117.3
R5200	7030003400	S.RES ERJ3GEYJ 471 V (470)	T	127.3/106.2
R5201	7030003510	S.RES ERJ3GEYJ 392 V (3.9 k)	T	127.3/107.4
R5202	7030003510	S.RES ERJ3GEYJ 392 V (3.9 k)	T	130.6/106.9
R5203	7030003360	S.RES ERJ3GEYJ 221 V (220)	T	127.2/111.2
R5204	7030003370	S.RES ERJ3GEYJ 271 V (270)	T	131.6/121.7
R5205	7030003230	S.RES ERJ3GEYJ 180 V (18)	T	134.2/118.1
R5206	7030003370	S.RES ERJ3GEYJ 271 V (270)	T	137/118.1
R5299	7030003440	S.RES ERJ3GEYJ 102 V (1 k)	B	166.1/37.2
R5300	7030003320	S.RES ERJ3GEYJ 101 V (100)	B	156.4/40.7
R5301	7030003440	S.RES ERJ3GEYJ 102 V (1 k)	B	145.3/37
R5302	7030003360	S.RES ERJ3GEYJ 221 V (220)	B	164.1/34.9
R5303	7030003440	S.RES ERJ3GEYJ 102 V (1 k)	B	164.1/38
R5304	7030003440	S.RES ERJ3GEYJ 102 V (1 k)	B	164.3/40.5
R5305	7030003800	S.RES ERJ3GEYJ 105 V (1 M)	B	162.5/38.3
R5306	7030007220	S.RES ERA3YED 202V (2 k)	T	163.6/53.1
R5307	7030007220	S.RES ERA3YED 202V (2 k)	T	164.8/47.4
R5308	7030007220	S.RES ERA3YED 202V (2 k)	T	163.6/47.8
R5309	7030007230	S.RES ERA3YED 102V (1 k)	T	163.6/51.2
R5310	7030007220	S.RES ERA3YED 202V (2 k)	T	162.4/48.2
R5311	7030007230	S.RES ERA3YED 102V (1 k)	T	162.4/51.2
R5312	7030007220	S.RES ERA3YED 202V (2 k)	T	161.2/48.6
R5313	7030007230	S.RES ERA3YED 102V (1 k)	T	161.2/51.2
R5314	7030007220	S.RES ERA3YED 202V (2 k)	T	160/48.6
R5315	7030007230	S.RES ERA3YED 102V (1 k)	T	160/51.2
R5316	7030007220	S.RES ERA3YED 202V (2 k)	T	158.8/48.6
R5317	7030007230	S.RES ERA3YED 102V (1 k)	T	158.8/51.2
R5318	7030007220	S.RES ERA3YED 202V (2 k)	T	157.6/48.6
R5319	7030007230	S.RES ERA3YED 102V (1 k)	T	157.6/51.2
R5320	7030007200	S.RES ERA3YEB 202V (2 k)	T	156.4/48.6
R5321	7030007310	S.RES ERA3YEB 102V (1 k)	T	156.4/51.2
R5322	7030007200	S.RES ERA3YEB 202V (2 k)	T	155.2/48.6
R5323	7030007210	S.RES ERA3YEB 102V (1 k)	T	155.2/51.2
R5324	7030007200	S.RES ERA3YEB 202V (2 k)	T	154/48.6
R5325	7030007210	S.RES ERA3YEB 102V (1 k)	T	154/51.2
R5326	7030007200	S.RES ERA3YEB 202V (2 k)	T	152.8/48.6
R5327	7030007210	S.RES ERA3YEB 102V (1 k)	T	152.8/51.2
R5328	7030007200	S.RES ERA3YEB 202V (2 k)	T	151.6/48.6
R5329	7030007210	S.RES ERA3YEB 102V (1 k)	T	151.6/51.2
R5400	7030003400	S.RES ERJ3GEYJ 471 V (470)	T	147.6/53.1
R5401	7030003400	S.RES ERJ3GEYJ 471 V (470)	T	147.1/43.7
R5402	7030003320	S.RES ERJ3GEYJ 101 V (100)	B	172.5/30.8
R5403	7030003480	S.RES ERJ3GEYJ 222 V (2.2 k)	B	166.1/28.6
R5404	7030003470	S.RES ERJ3GEYJ 182 V (1.8 k)	B	169.7/30.2
R5405	7030003360	S.RES ERJ3GEYJ 221 V (220)	B	166.4/34.1
R5406	7030003370	S.RES ERJ3GEYJ 271 V (270)	B	168.2/40.6
R5407	7030003230	S.RES ERJ3GEYJ 180 V (18)	B	170.3/39.3
R5408	7030003370	S.RES ERJ3GEYJ 271 V (270)	B	171/41.7
R5500	7030003360	S.RES ERJ3GEYJ 221 V (220)	B	130.4/45.5
R5501	7030003480	S.RES ERJ3GEYJ 222 V (2.2 k)	T	133.3/44.9
R5502	7030003370	S.RES ERJ3GEYJ 271 V (270)	T	135.5/49.4
R5503	7030003470	S.RES ERJ3GEYJ 182 V (1.8 k)	T	133.2/48.8
R5504	7030003440	S.RES ERJ3GEYJ 102 V (1 k)	T	131.3/45.5
R5505	7030003370	S.RES ERJ3GEYJ 271 V (270)	T	132.3/36.5
R5506	7030003230	S.RES ERJ3GEYJ 180 V (18)	T	130.4/35.8
R5507	7030003370	S.RES ERJ3GEYJ 271 V (270)	T	132.3/35
R5601	7030003800	S.RES ERJ3GEYJ 105 V (1 M)	B	154.1/29.6
R5602	7030003200	S.RES ERJ3GEYJ 100 V (10)	B	151.5/34.2
R5603	7030007300	S.RES ERA3YED 102V (1 k)	T	152.2/26
R5604	7030009691	S.RES ERA3YED 101V (100)	T	157.5/24.5
R5605	7030005321	S.RES ERA3YED 103V (10 k)	T	156.2/24.5
R5606	7030003560	S.RES ERJ3GEYJ 103 V (10 k)	T	147.9/14.4
R5607	7030003560	S.RES ERJ3GEYJ 103 V (10 k)	T	149.9/17.2
R5608	7030003680	S.RES ERJ3GEYJ 104 V (100 k)	T	162.2/12.6
R5609	7030003680	S.RES ERJ3GEYJ 104 V (100 k)	T	159.9/9.4
R5610	7030003340	S.RES ERJ3GEYJ 151 V (150)	T	162.5/17.4
R5611	7030003350	S.RES ERJ3GEYJ 181 V (180)	T	161.2/9.5
R5612	7030003320	S.RES ERJ3GEYJ 101 V (100)	B	164.7/9.5
R5613	7030003640	S.RES ERJ3GEYJ 473 V (47 k)	B	160.7/14.7
R5614	7030003360	S.RES ERJ3GEYJ 221 V (220)	B	162.3/14.7
R5615	7030003320	S.RES ERJ3GEYJ 101 V (100)	B	162.3/10
R5616	7030003220	S.RES		

[PLL UNIT]

REF NO.	ORDER NO.	DESCRIPTION	M.	H/V LOCATION
C303	4030011600	S.CER C1608 JB 1E 104K-T	T	34.8/22.9
C350	4510008500	S.ELE EEE1CA101WP	T	102.2/22.2
C351	4030006880	S.CER C1608 JB 1H 472K-T	T	107.1/20.8
C352	4030017810	S.CER C1608 CH 1H 102J-T	T	107.1/23.6
C400	4510008500	S.ELE EEE1CA101WP	T	64/8.3
C401	4510008500	S.ELE EEE1CA101WP	T	96.4/6.5
C403	4030011600	S.CER C1608 JB 1E 104K-T	B	37.6/9.2
C404	4030011600	S.CER C1608 JB 1E 104K-T	B	88.8/10.8
C406	4030011600	S.CER C1608 JB 1E 104K-T	B	37.6/6.2
C407	4030011600	S.CER C1608 JB 1E 104K-T	B	80.9/10.8
C409	4510008520	S.ELE EEE1CA470SP	T	40.5/8.3
C410	4510008520	S.ELE EEE1CA470SP	T	72.9/5.5
C450	4030011600	S.CER C1608 JB 1E 104K-T	T	127.3/57.8
C451	4030011600	S.CER C1608 JB 1E 104K-T	T	130.1/62.8
C452	4030011600	S.CER C1608 JB 1E 104K-T	T	124.6/62.1
C500	4030011600	S.CER C1608 JB 1E 104K-T	T	68.4/36.1
C501	4510008540	S.ELE EEE1CA100SR	T	69/40.4
C503	4030017810	S.CER C1608 CH 1H 102J-T	T	64.7/39.8
C550	4030007070	S.CER C1608 CH 1H 330J-T	T	118.1/41.3
C551	4030009540	S.CER C1608 CH 1H 1R5B-T	B	122.2/44.3
C552	4030006880	S.CER C1608 JB 1H 472K-T	T	117.2/44.6
C553	4030007070	S.CER C1608 CH 1H 330J-T	B	121.4/46.1
C554	4030011600	S.CER C1608 JB 1E 104K-T	T	126.2/45.5
C555	4030011600	S.CER C1608 JB 1E 104K-T	T	117.2/42.9
C556	4030011600	S.CER C1608 JB 1E 104K-T	B	124.9/44.8
C557	4510008500	S.ELE EEE1CA101WP	T	119.6/62.3
C558	4030011600	S.CER C1608 JB 1E 104K-T	B	119.2/49.7
C559	4030017810	S.CER C1608 CH 1H 102J-T	B	119.2/50.9
C601	4030017810	S.CER C1608 CH 1H 102J-T	B	98.4/94.9
C602	4030017810	S.CER C1608 CH 1H 102J-T	B	98.4/97.9
C603	4030017810	S.CER C1608 CH 1H 102J-T	B	98.4/100.9
C604	4030006880	S.CER C1608 JB 1H 102K-T	B	84.5/114.1
C605	4030006880	S.CER C1608 JB 1H 102K-T	B	84.5/117.7
C606	4030006880	S.CER C1608 JB 1H 102K-T	B	84.5/121.3
C700	4030006990	S.CER C1608 CH 1H 080D-T	T	91.3/35.6
C701	4030007030	S.CER C1608 CH 1H 150J-T	T	93.9/35.7
C702	4030007060	S.CER C1608 CH 1H 270J-T	T	96.5/35.7
C703	4030011600	S.CER C1608 JB 1E 104K-T	T	101.7/46.2
C704	4030011600	S.CER C1608 JB 1E 104K-T	T	100.4/32.7
C708	4030011600	S.CER C1608 JB 1E 104K-T	T	101.7/47.5
C750	4030006880	S.CER C1608 JB 1H 472K-T	B	76.3/46.8
C751	4030006880	S.CER C1608 JB 1H 472K-T	T	77.7/57.2
C752	4030011600	S.CER C1608 JB 1E 104K-T	T	76.5/49.2
C753	4030011600	S.CER C1608 JB 1E 104K-T	T	74.2/54.5
C754	4030006880	S.CER C1608 JB 1H 472K-T	T	99/57.1
C755	4030006880	S.CER C1608 JB 1H 472K-T	T	84.4/56.8
C756	4030011600	S.CER C1608 JB 1E 104K-T	B	83/52
C757	4030011600	S.CER C1608 JB 1E 104K-T	B	83/50.2
C758	4030011600	S.CER C1608 JB 1E 104K-T	B	80.2/46.9
C759	4030011600	S.CER C1608 JB 1E 104K-T	B	82.4/43.2
C761	4030011600	S.CER C1608 JB 1E 104K-T	T	97.8/57.1
C763	4030006880	S.CER C1608 JB 1H 472K-T	B	79.6/58.1
C764	4030006880	S.CER C1608 JB 1H 472K-T	B	78.8/56.8
C765	4510008540	S.ELE EEE1CA100SR	T	102.1/56.2
C766	4030006880	S.CER C1608 JB 1H 472K-T	B	79.6/55.5
C767	4030011600	S.CER C1608 JB 1E 104K-T	B	83.6/41.6
C769	4030011600	S.CER C1608 JB 1E 104K-T	B	87.5/51.8
C770	4030011600	S.CER C1608 JB 1E 104K-T	T	88.4/57.6
C771	4030011600	S.CER C1608 JB 1E 104K-T	B	91/41.7
C772	4030011600	S.CER C1608 JB 1E 104K-T	T	95.7/39.2
C773	4030011600	S.CER C1608 JB 1E 104K-T	B	90.7/51.8
C774	4030011600	S.CER C1608 JB 1E 104K-T	B	93.5/57.8
C775	4030011600	S.CER C1608 JB 1E 104K-T	B	92.7/51.8
C776	4030011600	S.CER C1608 JB 1E 104K-T	T	98.5/53.1
C777	4030011600	S.CER C1608 JB 1E 104K-T	T	97.5/48.2
C778	4030011600	S.CER C1608 JB 1E 104K-T	T	97.1/41.7
C779	4030011600	S.CER C1608 JB 1E 104K-T	T	97.1/44.4
C800	4030006880	S.CER C1608 JB 1H 472K-T	B	106.4/62.6
C801	4030006880	S.CER C1608 JB 1H 472K-T	B	97.4/63.5
C802	4030011600	S.CER C1608 JB 1E 104K-T	B	104.8/59.8
C830	4030017810	S.CER C1608 CH 1H 102J-T	B	101.1/83.1
C831	4030017810	S.CER C1608 CH 1H 102J-T	B	91.4/82
C832	4030017810	S.CER C1608 CH 1H 102J-T	B	93.9/88.2
C833	4510008760	S.ELE EEE1HA4R7SR	T	83.7/78.4
C834	4030006880	S.CER C1608 JB 1H 472K-T	T	93.9/56.5
C835	4550007520	S.TAN F931A106MAABMA	B	99.5/57.3
C860	4030006880	S.CER C1608 JB 1H 472K-T	B	93/69.7
C861	4030011600	S.CER C1608 JB 1E 104K-T	B	89.2/72.1
C900	4030006880	S.CER C1608 JB 1H 472K-T	T	88.4/73.5
C901	4030007010	S.CER C1608 CH 1H 100D-T	B	90.5/67.4
C902	4510008540	S.ELE EEE1CA100SR	T	92.7/78.9
C903	4030006880	S.CER C1608 JB 1H 472K-T	T	88.7/71.6
C904	4030016550	S.CER CM105 CH 151G 50AT	T	88.7/69
C905	4030016550	S.CER CM105 CH 151G 50AT	T	88.7/67.7
C906	4030016550	S.CER CM105 CH 151G 50AT	T	100.5/71.6
C930	4030007070	S.CER C1608 CH 1H 330J-T	T	101.8/67.8
C931	4030009910	S.CER C1608 CH 1H 040B-T	T	102.9/71.6
C932	4030007070	S.CER C1608 CH 1H 330J-T	T	101.7/71.6
C933	4550007620	S.TAN F931V224MAABMA	B	103/70.1
C1000	4030017810	S.CER C1608 CH 1H 102J-T	T	66.8/73.4
C1001	4030006880	S.CER C1608 JB 1H 472K-T	T	68/74.6
C1002	4030017810	S.CER C1608 CH 1H 102J-T	T	64/73.4
C1003	4030017810	S.CER C1608 CH 1H 102J-T	T	62.8/69.9
C1004	4030011600	S.CER C1608 JB 1E 104K-T	T	67.1/64.6
C1005	4510008540	S.ELE EEE1CA100SR	T	61.7/80
C1006	4030006880	S.CER C1608 JB 1H 102K-T	T	69.8/69.8
C1007	4030011600	S.CER C1608 JB 1E 104K-T	T	69.7/64.6
C1008	4030006880	S.CER C1608 JB 1H 472K-T	T	60.6/57.4
C1009	4550006800	S.TAN TEESVB2 1D 475M-8R	B	66.7/81.7
C1010	4550006800	S.TAN TEESVB2 1D 475M-8R	B	68.5/75.3
C1011	4510008760	S.ELE EEE1HA4R7SR	T	67.2/58.8
C1012	4510008760	S.ELE EEE1HA4R7SR	T	67.2/53
C1014	4030017810	S.CER C1608 CH 1H 102J-T	B	76.2/72.7
C1015	4030017810	S.CER C1608 CH 1H 102J-T	T	78.4/66

[PLL UNIT]

REF NO.	ORDER NO.	DESCRIPTION	M.	H/V LOCATION
C1016	4030007130	S.CER C1608 CH 1H 101J-T	T	78.4/67.2
C1019	4550007310	S.TAN F930J227MNMBA	B	72.6/75.7
C1303	4030007810	S.CER C1608 CH 1H 102J-T	B	80.6/108.4
C1304	4030011600	S.CER C1608 JB 1E 104K-T	B	78.8/108.4
C1305	4510008870	S.ELE EEE1AA471UP	T	60.8/89.2
C1306	4030017810	S.CER C1608 CH 1H 102J-T	B	67.8/108.7
C1307	4030017810	S.CER C1608 CH 1H 102J-T	B	65/109
C1308	4030006860	S.CER C1608 JB 1H 102K-T	B	61.3/111.4
C1309	4030017810	S.CER C1608 CH 1H 102J-T	B	59/110.4
C1351	4030006860	S.CER C1608 JB 1H 102K-T	B	70.8/103.4
C1352	4030006860	S.CER C1608 JB 1H 102K-T	B	72.6/100.4
C1353	4030006860	S.CER C1608 JB 1H 102K-T	B	68/97.9
C1901	4050000290	S.FED CNF10R102S-TM	T	116/29.4
C1902	4050000290	S.FED CNF10R102S-TM	T	114/29.4
C1903	4050000290	S.FED CNF10R102S-TM	T	112/29.4
C1904	4050000290	S.FED CNF10R102S-TM	T	110/29.4
C1905	4050000290	S.FED CNF10R102S-TM	T	108.9/31.7
C1906	4050000290	S.FED CNF10R102S-TM	T	108.9/33.7
C1907	4050000290	S.FED CNF10R102S-TM	T	108.9/35.7
C1908	4050000300	S.FED CNF10C470S-TM	T	65/42.5
C1909	4050000300	S.FED CNF10C470S-TM	T	66.8/45
C1910	4050000300	S.FED CNF10C470S-TM	T	64.4/44.7
C1911	4050000290	S.FED CNF10R102S-TM	T	61.2/42.1
C1912	4050000290	S.FED CNF10R102S-TM	T	59.2/42.1
C1913	4050000290	S.FED CNF10R102S-TM	T	57.4/38.7
C1914	4050000290	S.FED CNF10R102S-TM	T	55.4/38.7
C1915	4050000290	S.FED CNF10R102S-TM	T	53.7/35.2
C1916	4050000290	S.FED CNF10R102S-TM	T	52.7/37.9
C1917	4050000290	S.FED CNF10R102S-TM	T	50/38.1
C1918	4050000290	S.FED CNF10R102S-TM	T	50.1/34.1
C1919	4050000290	S.FED CNF10R102S-TM	T	49.1/36.1
C1921	4050000290	S.FED CNF10R102S-TM	T	9.3/54.5
C1922	4050000290	S.FED CNF10R102S-TM	T	1.8/53.2
C1923	4050000290	S.FED CNF10R102S-TM	T	3.6/55.9
C1924	4050000290	S.FED CNF10R102S-TM	T	5.4/53.2
C1925	4050000290	S.FED CNF10R102S-TM	T	7.2/55.9
C1926	4050000290	S.FED CNF10R102S-TM	T	7.5/69.9
C1927	4050000290	S.FED CNF10R102S-TM	T	5.7/72.6
C1928	4050000290	S.FED CNF10R102S-TM	T	3.9/69.9
C1929	4050000290	S.FED CNF10R102S-TM	T	2.1/72.6
C2051	4030017810	S.CER C1608 CH 1H 102J-T	T	38.9/66.5
C2052	4030017810	S.CER C1608 CH 1H 102J-T	B	45.1/59
C2053	4030011770	S.CER C1608 CH 1H 060B-T	T	42.1/63.5
C2054	4030006860	S.CER C1608 JB 1H 102K-T	T	38.8/57.3
C2055	4030006860	S.CER C1608 JB 1H 102K-T	T	42.6/53.8
C2056	4030007030	S.CER C1608 CH 1H 150J-T	T	43.5/63.5
C2057	4030011770	S.CER C1608 CH 1H 060B-T	T	45.7/64.3
C2058	4030009910	S.CER C1608 CH 1H 040B-T	T	45.7/63
C2059	4030009550	S.CER C1608 CH 1H 2R5B-T	T	47.8/62.2
C2060	4030009910	S.CER C1608 CH 1H 040B-T	T	45.7/61.8
C2061	4030006990	S.CER C1608 CH 1H 080D-T	T	44.7/50.6
C2062	4030009920	S.CER C1608 CH 1H 050B-T	T	44.7/53
C2063	4030006990	S.CER C1608 CH 1H 080D-T	T	42.8/51.1
C2100	4030017810	S.CER C1608 CH 1H 102J-T	T	48.5/58.5
C2101	4030017810	S.CER C1608 CH 1H 102J-T	T	44.2/59.8
C2102	4030006860	S.CER C1608 JB 1H 102K-T	T	48.5/55.8
C2105	4030007030	S.CER C1608 CH 1H 150J-T	T	41.1/53.7
C2106	4030007050	S.CER C1608 CH 1H 220J-T	T	40.3/51.6
C2201	4030007030	S.CER C1608 CH 1H 150J-T	B	56.8/69
C2202	4030007050	S.CER C1608 CH 1H 220J-T	B	55.6/67.5
C2203	4030007030	S.CER C1608 CH 1H 150J-T	B	54.4/69
C2204	4030009530	S.CER C1608 CH 1H 030B-T	T	46.4/66.8
C2205	4030009520	S.CER C1608 CH 1H 020B-T	T	44.1/67.5
C2206	4030009530	S.CER C1608 CH 1H 030B-T	T	41.9/67.6
C2300	4030007030	S.CER C1608 CH 1H 150J-T	T	43.8/46.2
C2301	4030011600	S.CER C1608 JB 1E 104K-T	T	42/42.7
C2302	4030011600	S.CER C1608 JB 1E 104K-T	T	45.9/47.4
C2303	4030006860	S.CER C1608 JB 1H 102K-T	T	27.2/45.6
C2304	4550006240	S.TAN TEESVB2 0G 336M8R	T	48.8/42.4
C2305	4030011600	S.CER C1608 JB 1E 104K-T	T	34.1/42.2
C2306	4030006860	S.CER C1608 JB 1H 102K-T	T	31.8/46.2
C2307	4030011600	S.CER C1608 JB 1E 104K-T	T	29.2/43.1
C2400	4030007090	S.CER C1608 CH 1H 470J-T	T	24.8/45.9
C2401	4030007010	S.CER C1608 CH		

[PLL UNIT]

REF NO.	ORDER NO.	DESCRIPTION	M.	H/V LOCATION
C3102	4030009530	S.CER C1608 CH 1H 030B-T	B	31.6/119.8
C3103	4030006980	S.CER C1608 CH 1H 070D-T	B	30.9/117.3
C3104	4030009510	S.CER C1608 CH 1H 010B-T	B	27.3/120.6
C3105	4030009910	S.CER C1608 CH 1H 040B-T	B	29.1/117.3
C3106	4030009910	S.CER C1608 CH 1H 040B-T	B	27.3/117.3
C3107	4030006980	S.CER C1608 CH 1H 070D-T	B	25.5/117.3
C3108	4030009550	S.CER C1608 CH 1H 2R5B-T	B	25.5/120.6
C3109	4030007050	S.CER C1608 CH 1H 220J-T	B	21.9/120.6
C3110	4030009920	S.CER C1608 CH 1H 050B-T	B	23.7/120.6
C3111	4030017810	S.CER C1608 CH 1H 102J-T	B	28.4/127.2
C3112	4030017810	S.CER C1608 CH 1H 102J-T	B	21.9/127.2
C3113	4030017810	S.CER C1608 CH 1H 102J-T	B	13.2/126.1
C4000	4550007140	S.TAN TEESVD 1C 107M12R	B	157.2/63
C4001	4030017810	S.CER C1608 CH 1H 102J-T	T	149.8/66.7
C4002	4030017810	S.CER C1608 CH 1H 102J-T	T	153.9/67
C4003	4030017810	S.CER C1608 CH 1H 102J-T	T	148/65.2
C4004	4030017810	S.CER C1608 CH 1H 102J-T	T	151.9/66.2
C4005	4030011600	S.CER C1608 JB 1E 104K-T	T	151.9/67.5
C4007	4030011600	S.CER C1608 JB 1E 104K-T	B	152.7/52.3
C4008	4030006860	S.CER C1608 JB 1H 102K-T	B	167/81.1
C4009	4030006860	S.CER C1608 JB 1H 102K-T	B	166.6/84.6
C4010	4030006860	S.CER C1608 JB 1H 102K-T	B	166.6/88.1
C4050	4340000310	S.MLR ECHU 1C 333JX5	T	155.4/63
C4051	4550000460	S.TAN TEESVA 1C 105M8R	T	157.7/60.1
C4052	4550000530	S.TAN TEESVA 1V 104M8R	T	160.1/63
C4401	4030017810	S.CER C1608 CH 1H 102J-T	B	148.3/96.8
C4402	4030006860	S.CER C1608 JB 1H 102K-T	B	141.2/106.5
C4403	4030011600	S.CER C1608 JB 1E 104K-T	B	140.6/103.9
C4404	4510008830	S.ELE EEE1CA221P	T	135/111.5
C4450	4030007020	S.CER C1608 CH 1H 120J-T	B	154.3/95
C4451	4030009350	S.CER C1608 CH 1H 3R5B-T	B	148.2/103.1
C4452	4030006970	S.CER C1608 CH 1H 060D-T	B	157.3/93.2
C4453	4030009540	S.CER C1608 CH 1H 1R5B-T	B	150.4/102.5
C4454	4030007020	S.CER C1608 CH 1H 120J-T	B	155.5/91.3
C4455	4030009350	S.CER C1608 CH 1H 3R5B-T	B	151.1/105
C4456	4030017810	S.CER C1608 CH 1H 102J-T	B	157.3/88.1
C4457	4030017810	S.CER C1608 CH 1H 102J-T	B	155.1/98.7
C4458	4030006860	S.CER C1608 JB 1H 102K-T	B	153.6/93.1
C4459	4030006860	S.CER C1608 JB 1H 102K-T	B	153.7/89.6
C4460	4030006860	S.CER C1608 JB 1H 102K-T	B	153.6/86.1
C4461	4030017810	S.CER C1608 CH 1H 102J-T	B	164.9/80.8
C4462	4030017810	S.CER C1608 CH 1H 102J-T	B	161.7/80.7
C4500	4030006860	S.CER C1608 JB 1H 102K-T	B	140.6/119
C4501	4030006860	S.CER C1608 JB 1H 102K-T	B	157/119
C4502	4030006860	S.CER C1608 JB 1H 102K-T	B	157/122
C4513	4030017810	S.CER C1608 CH 1H 102J-T	B	172.5/116
C4562	4030017810	S.CER C1608 CH 1H 102J-T	B	148.5/116.5
C4563	4030017810	S.CER C1608 CH 1H 102J-T	B	164.4/98.4
C4564	4030011600	S.CER C1608 JB 1E 104K-T	B	168/95
C4565	4030017810	S.CER C1608 CH 1H 102J-T	B	166.2/95
C4566	4030017810	S.CER C1608 CH 1H 102J-T	B	163.2/91.5
C4567	4030017810	S.CER C1608 CH 1H 102J-T	B	160.1/100.7
C4901	4050000290	S.FED CNF10R102S-TM	T	144.2/69.8
C4902	4050000290	S.FED CNF10R102S-TM	T	168/54.8
C4903	4050000290	S.FED CNF10R102S-TM	T	170/54.8
C4904	4050000290	S.FED CNF10R102S-TM	T	172/54.8
C4905	4050000290	S.FED CNF10R102S-TM	T	172.3/50.6
C4906	4050000290	S.FED CNF10R102S-TM	T	174.3/50.6
C4907	4050000290	S.FED CNF10R102S-TM	T	176.3/50.6
C4908	4050000290	S.FED CNF10R102S-TM	T	170.3/50.6
C4909	4050000290	S.FED CNF10R102S-TM	T	174/54.8
C4910	4050000300	S.FED CNF10C470S-TM	T	143/57.6
C4911	4050000300	S.FED CNF10C470S-TM	T	143/55.6
C4912	4050000300	S.FED CNF10C470S-TM	T	143/53.6
C4913	4050000290	S.FED CNF10R102S-TM	T	139.2/106.5
C5000	4030006880	S.CER C1608 JB 1H 472K-T	B	119.5/77.9
C5001	4510008540	S.ELE EEE1CA100SR	T	130/71
C5002	4030011600	S.CER C1608 JB 1E 104K-T	B	133.5/70.9
C5003	4030006860	S.CER C1608 JB 1H 102K-T	T	126.9/73.6
C5004	4030011600	S.CER C1608 JB 1E 104K-T	T	119.9/74.5
C5005	4030017810	S.CER C1608 CH 1H 102J-T	T	123.4/70.1
C5006	4030011600	S.CER C1608 JB 1E 104K-T	B	149.3/82.9
C5007	4030017810	S.CER C1608 CH 1H 102J-T	T	133/85.1
C5008	4550006390	S.TAN TEESVA 1C 335M8R	T	130.6/74.5
C5009	4030006860	S.CER C1608 JB 1H 102K-T	B	130.5/101.1
C5010	4550007510	S.TAN F931C106MBA BMA	B	127.7/106.1
C5012	4030006900	S.CER C1608 JB 1H 103K-T	T	123.5/79.2
C5013	4340000440	S.MLR ECPU1C684MA5	T	127.3/77.6
C5018	4030006880	S.CER C1608 JB 1H 472K-T	B	118.4/70.8
C5019	4030006880	S.CER C1608 JB 1H 472K-T	B	115.6/64.4
C5020	4030011600	S.CER C1608 JB 1E 104K-T	B	112.6/69.8
C5021	4030006880	S.CER C1608 JB 1H 472K-T	T	119.9/77.2
C5100	4030007130	S.CER C1608 CH 1H 101J-T	T	133.9/97.8
C5101	4030007120	S.CER C1608 CH 1H 820J-T	B	129.1/97.1
C5102	4030007110	S.CER C1608 CH 1H 680J-T	T	131.5/97.8
C5105	4030017810	S.CER C1608 CH 1H 102J-T	T	129.4/103.6
C5106	4030007120	S.CER C1608 CH 1H 820J-T	T	122.2/102.6
C5107	4030007090	S.CER C1608 CH 1H 470J-T	T	122/97.7
C5108	4030006860	S.CER C1608 JB 1H 102K-T	T	128.8/102.2
C5109	4030009520	S.CER C1608 CH 1H 020B-T	T	121.6/100.6
C5110	4030007110	S.CER C1608 CH 1H 680J-T	T	120.8/95.4
C5111	4030007090	S.CER C1608 CH 1H 470J-T	B	119.5/101.3
C5112	4030006860	S.CER C1608 JB 1H 102K-T	T	118.3/102.7
C5113	4030011600	S.CER C1608 JB 1E 104K-T	B	116/95.7
C5114	4030006860	S.CER C1608 JB 1H 102K-T	B	117.6/95.7
C5115	4030006860	S.CER C1608 JB 1H 102K-T	T	122/95.1
C5116	4030006860	S.CER C1608 JB 1H 102K-T	B	117.8/88.1
C5117	4030011600	S.CER C1608 JB 1E 104K-T	B	117/85.5
C5118	4510008830	S.ELE EEE1CA221P	T	125.7/86.5
C5150	4030006860	S.CER C1608 JB 1H 102K-T	T	120.9/106.6
C5151	4030006860	S.CER C1608 JB 1H 102K-T	T	119.6/112.3
C5152	4030006860	S.CER C1608 JB 1H 102K-T	T	116.8/111
C5153	4030007100	S.CER C1608 CH 1H 560J-T	T	118.3/113.6
C5154	4030007070	S.CER C1608 CH 1H 330J-T	T	120.3/114.3

[PLL UNIT]

REF NO.	ORDER NO.	DESCRIPTION	M.	H/V LOCATION
C5155	4030007130	S.CER C1608 CH 1H 101J-T	T	118.3/114.9
C5156	4030007020	S.CER C1608 CH 1H 120J-T	T	118.3/116.2
C5157	4030007110	S.CER C1608 CH 1H 680J-T	T	117.8/120.8
C5200	4030006860	S.CER C1608 JB 1H 102K-T	T	129.3/106.9
C5201	4030006860	S.CER C1608 JB 1H 102K-T	T	125.1/111.7
C5202	4030006860	S.CER C1608 JB 1H 102K-T	T	129.2/111.7
C5203	4030007100	S.CER C1608 CH 1H 560J-T	T	127.2/112.5
C5204	4030007200	S.CER C1608 CH 1H 330J-T	T	128.2/117.1
C5205	4030007130	S.CER C1608 CH 1H 101J-T	T	127.6/119.1
C5206	4030007020	S.CER C1608 CH 1H 120J-T	T	128.9/119.1
C5207	4030007110	S.CER C1608 CH 1H 680J-T	T	130.3/121.7
C5300	4030006880	S.CER C1608 JB 1H 472K-T	B	158.7/40
C5301	4030011600	S.CER C1608 JB 1E 104K-T	B	156.8/36.8
C5302	4030011600	S.CER C1608 JB 1E 104K-T	B	160.7/30
C5303	4030011600	S.CER C1608 JB 1E 104K-T	B	160.7/32
C5304	4030006880	S.CER C1608 JB 1H 472K-T	B	151.5/37.1
C5305	4030011600	S.CER C1608 JB 1E 104K-T	B	152.7/37.1
C5306	4510008870	S.ELE EEE1AA471UP	T	173.1/44.8
C5307	4030011600	S.CER C1608 JB 1E 104K-T	B	160.2/34.2
C5308	4030011600	S.CER C1608 JB 1E 104K-T	T	163.7/43.6
C5309	4030011600	S.CER C1608 JB 1E 104K-T	T	161.7/45.2
C5310	4030011600	S.CER C1608 JB 1E 104K-T	B	161/42.7
C5311	4030011600	S.CER C1608 JB 1E 104K-T	T	151.2/46
C5312	4030011600	S.CER C1608 JB 1E 104K-T	B	150.7/45.1
C5313	4030011600	S.CER C1608 JB 1E 104K-T	T	146.6/41.8
C5314	4030011600	S.CER C1608 JB 1E 104K-T	T	146.7/37.3
C5315	4030011600	S.CER C1608 JB 1E 104K-T	B	148.8/34.9
C5316	4030011600	S.CER C1608 JB 1E 104K-T	T	146.7/33.5
C5317	4030011600	S.CER C1608 JB 1E 104K-T	T	148/28.4
C5318	4030011600	S.CER C1608 JB 1E 104K-T	B	151.3/28.6
C5319	4030011600	S.CER C1608 JB 1E 104K-T	T	154.1/26.7
C5320	4030011600	S.CER C1608 JB 1E 104K-T	T	157.2/26.7
C5400	4030011600	S.CER C1608 JB 1E 104K-T	T	150.2/53.1
C5401	4030006880	S.CER C1608 JB 1H 472K-T	B	173.3/29.2
C5402	4030011600	S.CER C1608 JB 1E 104K-T	B	149.8/41.5
C5403	4030011600	S.CER C1608 JB 1E 104K-T	B	168.2/35.7
C5404	4030006860	S.CER C1608 JB 1H 102K-T	B	168.2/37.8
C5500	4030006880	S.CER C1608 JB 1H 472K-T	T	130.6/48.8
C5501	4030006880	S.CER C1608 JB 1H 472K-T	T	134.2/50.9
C5502	4030006880	S.CER C1608 JB 1H 472K-T	T	135.5/46.6
C5503	4030006880	S.CER C1608 JB 1H 472K-T	T	129.8/45.5
C5504	4030007100	S.CER C1608 CH 1H 560J-T	T	134.7/41.5
C5505	4030008750	S.CER C1608 CH 1H 360J-T	T	133.5/41.5
C5506	4030007140	S.CER C1608 CH 1H 121J-T	T	134.2/39.5
C5507	4030007020	S.CER C1608 CH 1H 120J-T	T	132.3/38.9
C5508	4030007110	S.CER C1608 CH 1H 680J-T	T	134.2/38.3
C5601	4030011600	S.CER C1608 JB 1E 104K-T	B	153.7/34.8
C5602	4550000460	S.TAN TEESVA 1C 105M8R	T	160.6/24
C5604	4550007620	S.TAN F931V224MAABMA	B	147.9/12.8
C5605	4030007070	S.CER C1608 CH 1H 330J-T	T	149.2/11.3
C5606	4030007100	S.CER C1608 CH 1H 330J-T	T	149.1/15.1
C5607	4030009510	S.CER C1608 CH 1H 010B-T	T	148/11.3
C5608	4030016550	S.CER CM105 CH 151G 50AT	T	150.4/11.3
C5609	4030016550	S.CER CM105 CH 151G 50AT	T	162.2/13.9
C5610	4030016550	S.CER CM105 CH 151G 50AT	T	162.2/15.2
C5611	4030006880	S.CER C1608 JB 1H 472K-T	T	162.2/11.3
C5612	4030009920	S.CER C1608 CH 1H 050B-T	B	159.2/13.2
C5613	4510008540	S.ELE EEE1CA100SR	T	168.7/11
C5614	4030006860	S.CER C1608 JB 1H 102K-T	T	162.5/9.5
C5615	4030011600	S.CER C1608 JB 1E 104K-T	B	161.6/12.3
C5616	4030006860	S.CER C1608 JB 1H 102K-T	B	161.6/17.1
C5617	4030006860	S.CER C1608 JB 1H 102K-T	B	141.2/32.8
C5618	4030006860	S.CER C1608 JB 1H 102K-T	T	152/23.8
C5619	4030011600	S.CER C1608 JB 1E 104K-T	T	147.9/23
C5620	4030006860	S.CER C1608 JB 1H 102K-T	B	168.9/98.6
C5622	4030006860	S.CER C1608 JB 1H 102K-T	T	170.2/29.1
C5901	4050000300	S.FED CNF10C470S-TM	T	136.7/64.4
C5902	4050000300	S.FED CNF10C470S-TM	T	136.7/60.4
C5903	4050000300	S.FED CNF10C470S		

[SCOPE/TV UNIT]

REF NO.	ORDER NO.	DESCRIPTION	M.	H/V LOCATION
IC101	1110005040	S.IC M52342FP 600C	T	14.5/41.6
IC201	1130011741	S.IC TC7W66FK (TE85L,F)	T	28.4/69.6
IC202	1130011741	S.IC TC7W66FK (TE85L,F)	T	10.9/66.8
IC203	1130011741	S.IC TC7W66FK (TE85L,F)	T	27.7/56.8
IC204	1130011741	S.IC TC7W66FK (TE85L,F)	T	9/62.3
IC401	1130011530	S.IC CD74HC4094M96	T	58.2/18.6
IC451	1130012620	S.IC SN74AHC1T1G86DCKR	T	95.8/19.4
IC1001	1110006180	S.IC UPG2009TB-E3	T	63.4/87.6
IC1002	1110006180	S.IC UPG2009TB-E3	T	70/86.8
IC1101	1190002051	S.IC SPM5001-TL-E	T	90.3/70.5
IC1403	1190002130	S.IC AD9852ASTZ	T	87.4/37.4
IC1501	1110006990	S.IC PC2710TB-E3	T	99.3/49.9
IC1601	1110006131	S.IC PC4094G2-E1-A	T	135.2/70.4
IC1602	1110006131	S.IC PC4094G2-E1-A	T	132.7/57.1
IC2001	1130013440	S.IC SN74LVC2G74DCTDR	T	115.2/18.2
IC2201	1190002051	S.IC SPM5001-TL-E	T	55.8/39.2
Q1	1580000751	S.FET 3SK294 (TE85L,F)	B	59.1/17
Q2	1530002561	S.FET 2SC4403-3-TL-E	B	63.4/4
Q101	1590003530	S.TR BCR08PN	T	21.3/42
		except [FRA], [AUS], [CHN]	T	21.3/42
Q301	1590003930	S.TR UMD22N TR [FRA], [AUS], [CHN]	T	21.3/42
Q501	1510000620	S.TR 2SA1576 T106 S	T	4.5/66.9
	1590003530	S.TR BCR08PN	T	48.3/26.6
		except [FRA], [AUS], [CHN]	T	48.3/26.6
Q551	1590003930	S.TR UMD22N TR [FRA], [AUS], [CHN]	T	49.6/16
	1590003530	S.TR BCR08PN	T	49.6/16
		except [FRA], [AUS], [CHN]	T	49.6/16
Q601	1590003930	S.TR UMD22N TR [FRA], [AUS], [CHN]	T	50.4/8.7
	1590003530	S.TR BCR08PN	T	50.4/8.7
		except [FRA], [AUS], [CHN]	T	50.4/8.7
Q651	1590003930	S.TR UMD22N TR [FRA], [AUS], [CHN]	T	50.4/5.3
	1590003530	S.TR BCR08PN	T	50.4/5.3
		except [FRA], [AUS], [CHN]	T	50.4/5.3
Q1001	1560000641	S.FET 2SK1740-4/5-TB-E	T	65.3/78.7
Q1002	1560001260	S.FET 2SK3018 T106	B	60.8/84.9
Q1003	1560001260	S.FET 2SK3018 T106	B	67.7/84.3
Q1051	1530003851	S.TR 2SC5551-FD-T-E	T	103.3/85.5
Q1202	1560000561	S.FET 2SK882-GR (TE85L,F)	T	123.6/44.8
Q1203	1560000561	S.FET 2SK882-GR (TE85L,F)	T	118.8/38.6
Q1301	1530002060	S.TR 2SC4081 T106 R	T	76.8/51.2
Q1901	1530003151	S.TR 2SC4673D-TD-E	T	68.8/56.6
Q2001	1530002561	S.TR 2SC4403-3-TL-E	T	112.2/25.4
Q2101	1560000641	S.FET 2SK1740-4/5-TB-E	T	61.9/75.7
Q2181	1530003431	S.TR 2SC5226A 4-ETL-E	B	50/57.4
Q2301	1530003151	S.TR 2SC4673D-TD-E	T	39/60.1
D101	1750000771	S.VCP HVC376BTRF-E	T	15/51
D501	1750000581	S.DIO 1SV307 (TPH3,F)	T	48.2/22.9
D502	1750000581	S.DIO 1SV307 (TPH3,F)	T	14.7/21
D551	1750000581	S.DIO 1SV307 (TPH3,F)	T	46.4/20
D552	1750000581	S.DIO 1SV307 (TPH3,F)	T	15/17.7
D601	1750000581	S.DIO 1SV307 (TPH3,F)	T	45/13.7
D602	1750000581	S.DIO 1SV307 (TPH3,F)	T	12.8/11.2
D651	1750000581	S.DIO 1SV307 (TPH3,F)	T	45/7.7
D652	1750000581	S.DIO 1SV307 (TPH3,F)	T	11.8/7.6
D1701	1750000431	S.DIO HSB88WSTR-E	T	131.4/34
FI201	2020001710	S.CER TPSKA4M50B00-R1 (TPSCC4.5M0-TC1)	T	17.1/71.7
FI202	2020001730	S.CER TPSKA5M50B00-R1 (TPSCC5.5MB-TC1)	T	23.2/64.2
FI203	2020001880	S.CER TPSKA6M00B00-R1 (TPSCC6.0MB-TC1)	T	18.3/59.3
FI204	2020002340	S.CER TPSKA6M50B00-R1	T	22/76.6
FI1201	2010002700	S.XTL FL-406 (24.2 MHz)	T	115.3/74.9
FI1202	2010002690	S.XTL FL-407 (24.2 MHz)	T	120.2/67
L70	6140004650	COL LR-523	T	
L71	6200007770	S.COL LQW2BHN10J03L	T	11.9/15.7
L102	6150005390	COL LS-164A	T	
L201	6200005021	S.COL NLV25T-150J	T	14.7/69.2
L202	6200005021	S.COL NLV25T-150J	T	20.8/61.7
L203	6200005021	S.COL NLV25T-150J	T	15.9/56.8
L204	6200005021	S.COL NLV25T-150J	T	19.6/74.2
L292	6200007800	S.COL LQW2BHN18J03L	B	77/84.6
L293	6200008080	S.COL LQW2BHN22J03L	B	77.8/87.6
L511	6200010740	S.COL C2520C-R27G-A	T	45.7/23.1
L512	6200010830	S.COL C2520C-3R3G-A	T	42.1/25
L513	6200010830	S.COL C2520C-3R3G-A	T	35.6/22.9
L514	6200010830	S.COL C2520C-3R3G-A	T	29.4/24.9
L515	6200010740	S.COL C2520C-R27G-A	T	25.8/23
L531	6200010680	S.COL C2520C-R22G-A (0.22U)	T	22.2/25.4
L532	6200010960	S.COL C2520C-R47G-A (0.47U)	T	18.6/23
L561	6200010740	S.COL C2520C-R27G-A	T	45.4/17
L562	6200010820	S.COL C2520C-2R7G-A	T	41.7/18.8
L563	6200010820	S.COL C2520C-2R7G-A	T	35.3/16.6
L564	6200010820	S.COL C2520C-2R7G-A	T	29.2/18.7
L565	6200010740	S.COL C2520C-R27G-A	T	25.6/16.5
L581	6200010680	S.COL C2520C-R22G-A (0.22U)	T	22/19.1
L582	6200010960	S.COL C2520C-R47G-A (0.47U)	T	18.3/17.1
L611	6200010740	S.COL C2520C-R27G-A	T	44/10.8
L612	6200010820	S.COL C2520C-2R7G-A	T	40.3/12.5
L613	6200010820	S.COL C2520C-2R7G-A	T	33.7/10.3
L614	6200010820	S.COL C2520C-2R7G-A	T	27.4/12.4
L615	6200010740	S.COL C2520C-R27G-A	T	23.8/10.7
L631	6200010680	S.COL C2520C-R22G-A (0.22U)	T	20/12.9
L632	6200011450	S.COL C2520C-R39G-A	T	16.3/11
L661	6200010740	S.COL C2520C-R27G-A	T	42.6/4.7

[SCOPE/TV UNIT]

REF NO.	ORDER NO.	DESCRIPTION	M.	H/V LOCATION
L662	6200010820	S.COL C2520C-2R7G-A	T	39/6.3
L663	6200010820	S.COL C2520C-2R7G-A	T	32.2/4.2
L664	6200010820	S.COL C2520C-2R7G-A	T	25.8/6.5
L665	6200010740	S.COL C2520C-R27G-A	T	21.8/4.7
L681	6200010680	S.COL C2520C-R22G-A (0.22U)	T	18.2/6.7
L682	6200011450	S.COL C2520C-R39G-A	T	14.3/5.2
L1001	6200005011	S.COL NLV25T-100J	T	66.6/81.7
L1002	6200011220	S.COL C2012C-R47J-A	T	67.8/75.9
L1003	6140002810	S.COL LR-317 (T	73.1/78.1
L1004	6200010350	S.COL C2012C-R27G-A	T	97.5/25.6
L1005	6200010320	S.COL C2012C-R15G-A	T	100.5/25.2
L1006	6200011050	S.COL C2012C-R12G-A	T	104.9/25.8
L1007	6200009920	S.COL C2012C-R10G-A	T	106.6/29.4
L1009	6200010860	S.COL C2520C-R10G-A (0.1U)	T	105.9/34.7
L1010	6200011410	S.COL C2520C-82NG-A	T	105.1/38.1
L1011	6200010720	S.COL C2520C-56NG-A	T	103.4/43
L1012	6200010940	S.COL C2520C-39NG-A	T	104.3/46.7
L1051	6200005011	S.COL NLV25T-100J	B	90.8/81.4
L1052	6140003790	COL LR-442	T	
L1053	6200005011	S.COL NLV25T-100J	T	91.3/79.4
L1054	6200007790	S.COL LQW2BHN15J03L	T	99.5/77.9
L1071	6200008090	S.COL LQW2BHN68NJ03L	T	52.8/77.4
L1072	6140002810	S.COL LR-317 (T	54.2/81.9
L1081	6200010650	S.COL C2520C-R12G-A (0.12U)	T	77/88
L1082	6200010860	S.COL C2520C-R10G-A (0.1U)	T	82.9/82.3
L1083	6200011410	S.COL C2520C-82NG-A	T	84.3/86
L1084	6200010720	S.COL C2520C-56NG-A	T	91.3/84.2
L1101	6130002961	S.COL #617DB-1327=P3	T	82.5/70.8
L1102	6130002961	S.COL #617DB-1327=P3	T	90.8/66
L1103	6130002961	S.COL #617DB-1327=P3	T	95.4/71.9
L1104	6180002961	S.COL NLV32T-R18J	B	76.3/64.7
L1105	6200001471	S.COL NLV32T-R18J	B	79/70.8
L1201	6180003410	COL SP0406-2R2K-6	T	
L1202	6180003590	COL SP0406-8R2K-6	T	
L1203	6180003510	COL SP0406-6R8K-6	T	
L1204	6150004521	S.COL LS-508-LF	T	119/46.2
L1205	6150004521	S.COL LS-508-LF	T	120.5/33.8
L1301	6200007170	S.COL MLF1608A 3R3K-T	T	74.9/48.4
L1302	6200002651	S.COL NLV25T-R18J	T	78.1/45.6
L1501	6200001981	S.COL NLV25T-1R0J	B	99.2/51.3
L1502	6200002631	S.COL NLV25T-R10J	T	94.3/51.4
L1503	6200002431	S.COL NLV25T-082J	T	90.2/50.6
L1701	6200003171	S.COL NLV32T-330J	T	130/78.9
L1702	6140002810	S.COL LR-317 (T	131.4/27.4
L1703	6140002810	S.COL LR-317 (T	131.4/40.6
L1901	6200001831	S.COL NLV32T-100J	B	78.1/25.4
L1902	6200011900	S.COL LQH43CN100K03L	B	76.6/29.1
L1903	6200002181	S.COL NLV25T-R12J	T	64.8/44
L1904	6200002641	S.COL NLV25T-R15J	T	68/46.2
L1905	6200002181	S.COL NLV25T-R12J	T	68/52.8
L1906	6200002641	S.COL NLV25T-R15J	T	65.2/59.1
L2101	6200005011	S.COL NLV25T-100J	T	60.9/78.7
L2102	6200011220	S.COL C2012C-R47J-A	T	65.2/72
L2103	6140002810	S.COL LR-317 (T	70.8/71.2
L2160	6200010740	S.COL C2520C-R27G-A	T	47.8/71.7
L2161	6200010670	S.COL C2520C-R18G-A (0.18U)	T	48.7/68.6
L2162	6200010860	S.COL C2520C-R10G-A (0.1U)	T	53.2/60
L2163	6200010650	S.COL C2520C-R12G-A (0.12U)	T	47.6/57
L2164	6200010660	S.COL C2520C-R15G-A (0.15U)	T	47.8/65.3
L2181	6200008090	S.COL LQW2BHN68NJ03L	B	48.4/61
L2182	6200009970	S.COL C2012C-R39G-A	T	49.3/53.9
L2201	6130002961	S.COL #617DB-1327=P3	T	63.7/38.7
L2202	6130002961	S.COL #617DB-1327=P3	T	55.4/43.9
L2203	6130002961	S.COL #617DB-1327=P3	T	50.8/38.4
L2301	6200004961	S.COL NLV25T-R33J	T	39/46.2
L2302	6200005041	S.COL NLV25T-220J	T	41.2/55
L2303	6200004961	S.COL NLV25T-R33J	T	40.9/66.1
L2304	6200002611	S.COL NLV25T-R47J	T	41.3/69.5
L2305	6200003261	S.COL NLV32T-101J	T	41.7/51.5
R1	7030003320	S.RES ERJ3GEYJ 101 V (100)	B	60.7/22
R2	7030003350	S.RES ERJ3GEYJ 472 V (4.7 k)	B	62.4/18.7
R3	7030003440	S.RES ERJ3GEYJ 102 V (1 k)	B	60.7/20.2
R4	7030003560	S.RES ERJ3GEYJ 103 V (10 k)	B	57.9/20.2
R5	7030003560	S.RES ERJ3GEYJ 103 V (10 k)	B	61.5/15
R6	7030003800	S.RES ERJ3GEYJ 105 V (1 M)	B	57.1/22.7
R7	7030003320	S.RES ERJ3GEYJ 101 V (100)	B	55.7/16.1
R8	7030003280	S.RES ERJ3GEYJ 470 V (47)	B	62.3/11
R9	7030003400	S.RES ERJ3GEYJ 471 V (470)	B	59/11.6
R10	7030003320	S.RES ERJ3GEYJ 101 V (100)	B	61.5/7.5
R11	7030003480	S.RES ERJ3GEYJ 222 V (22 k)	B	65.5/3.6
R12	7030003460	S.RES ERJ3GEYJ 152 V (1.5 k)	B	63.8/6.8
R13	7030003280	S.RES ERJ3GEYJ 470 V (47)	B	62.3/9.3
R14	7030003400	S.RES ERJ3GEYJ 471 V (470)	B	61.1/3.5
R20	7030003270	S.RES ERJ3GEYJ 390 V (39)	B	56.6/5
R21	7030003400	S.RES ERJ3GEYJ 471 V (470)	B	54.6/5
R44	7030003400	S.RES ERJ3GEYJ 471 V (470)	T	9.5/10.2
R71	7030003320	S.RES ERJ3GEYJ 101 V (100)	T	10.7/17.9
R101	7030003700	S.RES ERJ3GEYJ 154 V (150 k)	T	8.2/35.3
R102	7030003620	S.RES ERJ3GEYJ 333 V (33 k)	T	8.2/36.6
R104	7030003580	S.RES ERJ3GEYJ 153 V (15 k)	T	8.5/40.6
R105	7030003700	S.RES ERJ3GEYJ 154 V (150 k)	T	5.9/39.8
R106	7030003640	S.RES ERJ3GEYJ 473 V (47 k)	T	7.2/40.6
R107	7030003560	S.RES ERJ3GEYJ 103 V (10 k)	T	17.2/46.8
R108	7030003600	S.RES ERJ3GEYJ 223 V (22 k)	T	17.6/49.1
R109	7030003640	S.RES ERJ3GEYJ 473 V (47 k)	T	14.2/54.4
R110	7030003440	S.RES ERJ3GEYJ 102 V (1 k)	T	4/48
R111	7030003750	S.RES ERJ3GEYJ		

[SCOPE/TV UNIT]

REF NO.	ORDER NO.	DESCRIPTION	M.	H/V LOCATION
R304	7030003420	S.RES ERJ3GEYJ 681 V (680)	T	4.7/68.9
R305	7030003420	S.RES ERJ3GEYJ 681 V (680)	T	4.7/70.1
R307	7030003340	S.RES ERJ3GEYJ 151 V (150)	T	7.3/68.9
R308	7030003340	S.RES ERJ3GEYJ 151 V (150)	T	7.3/70.1
R401	7030003320	S.RES ERJ3GEYJ 101 V (100)	T	70.3/11.5
R402	7030003320	S.RES ERJ3GEYJ 101 V (100)	T	74.1/11.5
R403	7030003320	S.RES ERJ3GEYJ 101 V (100)	T	75.4/11.5
R404	7030003320	S.RES ERJ3GEYJ 101 V (100)	T	76.7/11.5
R405	7030003320	S.RES ERJ3GEYJ 101 V (100)	T	78/11.5
R406	7030003320	S.RES ERJ3GEYJ 101 V (100)	T	79.3/11.5
R407	7030003320	S.RES ERJ3GEYJ 101 V (100)	T	80.6/11.5
R408	7030003640	S.RES ERJ3GEYJ 473 V (47 k)	T	74.2/16.1
R409	7030003640	S.RES ERJ3GEYJ 473 V (47 k)	T	76.8/16.6
R410	7030003640	S.RES ERJ3GEYJ 473 V (47 k)	T	79.4/16.6
R411	7030003640	S.RES ERJ3GEYJ 473 V (47 k)	T	82/16.6
R412	7030003640	S.RES ERJ3GEYJ 473 V (47 k)	T	84.6/16.6
R413	7030003320	S.RES ERJ3GEYJ 101 V (100)	T	81.9/11.5
R418	7030003320	S.RES ERJ3GEYJ 101 V (100)	T	63.3/14.9
R419	7030003320	S.RES ERJ3GEYJ 101 V (100)	T	63.3/17.5
R420	7030003320	S.RES ERJ3GEYJ 101 V (100)	T	64.1/19.8
R441	7030003860	S.RES ERJ3GE JPW V	T	56.3/11.5
R451	7030003200	S.RES ERJ3GEYJ 100 V (10)	B	98.2/17.9
R501	7030003360	S.RES ERJ3GEYJ 221 V (220)	B	39.8/22.2
R502	7030003320	S.RES ERJ3GEYJ 101 V (100)	B	36.2/21.5
R503	7030003320	S.RES ERJ3GEYJ 101 V (100)	B	33.6/22.3
R504	7030003560	S.RES ERJ3GEYJ 103 V (10 k)	T	45.3/26.9
R551	7030003360	S.RES ERJ3GEYJ 221 V (220)	B	39.5/16.3
R552	7030003320	S.RES ERJ3GEYJ 101 V (100)	B	36.2/15.9
R553	7030003320	S.RES ERJ3GEYJ 101 V (100)	B	32.4/15.9
R554	7030003560	S.RES ERJ3GEYJ 103 V (10 k)	T	49.7/18
R601	7030003360	S.RES ERJ3GEYJ 221 V (220)	B	37.5/10
R602	7030003320	S.RES ERJ3GEYJ 101 V (100)	B	34.2/9.8
R603	7030003320	S.RES ERJ3GEYJ 101 V (100)	B	30.5/9.8
R604	7030003560	S.RES ERJ3GEYJ 103 V (10 k)	T	48.3/8.9
R651	7030003360	S.RES ERJ3GEYJ 221 V (220)	B	36.3/4
R652	7030003320	S.RES ERJ3GEYJ 101 V (100)	B	32.7/4
R653	7030003320	S.RES ERJ3GEYJ 101 V (100)	B	29.3/4
R654	7030003560	S.RES ERJ3GEYJ 103 V (10 k)	T	48.3/5.5
R1001	7030003320	S.RES ERJ3GEYJ 101 V (100)	T	76.5/81.2
R1002	7030003320	S.RES ERJ3GEYJ 101 V (100)	T	63.6/81.3
R1003	7030003350	S.RES ERJ3GEYJ 181 V (180)	B	69.2/78.8
R1004	7030003240	S.RES ERJ3GEYJ 220 V (22)	T	57.9/86.3
R1014	7030003440	S.RES ERJ3GEYJ 102 V (1 k)	B	60.6/82.7
R1015	7030003500	S.RES ERJ3GEYJ 332 V (3.3 k)	B	60.9/86.8
R1016	7030003530	S.RES ERJ3GEYJ 562 V (5.6 k)	B	63.6/84.9
R1017	7030003320	S.RES ERJ3GEYJ 101 V (100)	T	60.6/87.6
R1018	7030003440	S.RES ERJ3GEYJ 102 V (1 k)	T	62.5/85
R1019	7030003440	S.RES ERJ3GEYJ 102 V (1 k)	B	67.6/82.4
R1020	7030003500	S.RES ERJ3GEYJ 332 V (3.3 k)	B	67.9/86.2
R1021	7030003530	S.RES ERJ3GEYJ 562 V (5.6 k)	B	70.6/84.3
R1022	7030003390	S.RES ERJ3GEYJ 391 V (390)	T	67.2/87.6
R1023	7030003440	S.RES ERJ3GEYJ 102 V (1 k)	T	69.1/84.3
R1028	7030003370	S.RES ERJ3GEYJ 271 V (270)	T	85.6/66.2
R1029	7030003230	S.RES ERJ3GEYJ 180 V (18)	T	86.2/64.2
R1032	7030003370	S.RES ERJ3GEYJ 271 V (270)	T	87.6/64.2
R1034	7030003300	S.RES ERJ3GEYJ 680 V (68)	T	63.9/85.1
R1035	7030003290	S.RES ERJ3GEYJ 560 V (56)	T	70.3/84.3
R1051	7030003290	S.RES ERJ3GEYJ 560 V (56)	B	90.8/84.5
R1052	7030003500	S.RES ERJ3GEYJ 332 V (3.3 k)	B	106/84.8
R1053	7030003440	S.RES ERJ3GEYJ 102 V (1 k)	B	107.7/84.8
R1054	7030003860	S.RES ERJ3GE JPW V	T	102.6/81.4
R1056	4030009920	S.RES 100 ERJ3GER1071	T	100.8/88.7
R1071	7030003320	S.RES ERJ3GEYJ 101 V (100)	T	58.5/81
R1101	7030003300	S.RES ERJ3GEYJ 680 V (68)	T	87.3/71.5
R1102	7030003300	S.RES ERJ3GEYJ 680 V (68)	T	87.3/69
R1103	7030003320	S.RES ERJ3GEYJ 101 V (100)	T	87.6/67
R1104	7030003320	S.RES ERJ3GEYJ 101 V (100)	T	93.9/66.3
R1105	7030003260	S.RES ERJ3GEYJ 330 V (33)	T	96.5/65.6
R1113	7030003370	S.RES ERJ3GEYJ 271 V (270)	T	107.1/72.5
R1114	7030003230	S.RES ERJ3GEYJ 180 V (18)	T	106.3/74.6
R1115	7030003370	S.RES ERJ3GEYJ 271 V (270)	T	107.1/76.8
R1209	7030003200	S.RES ERJ3GEYJ 100 V (10)	B	117.9/39.7
R1211	7030003480	S.RES ERJ3GEYJ 222 V (2.2 k)	T	123.2/47.8
R1212	7030003200	S.RES ERJ3GEYJ 100 V (10)	B	123.6/38.2
R1213	7030003560	S.RES ERJ3GEYJ 103 V (10 k)	T	118.9/40.5
R1214	7510001671	S.TMR NTCG16 4BH 103JT	T	121.5/38
R1215	7030003370	S.RES ERJ3GEYJ 271 V (270)	T	117.9/29.3
R1216	7030003230	S.RES ERJ3GEYJ 180 V (18)	T	120.5/29.3
R1217	7030003370	S.RES ERJ3GEYJ 271 V (270)	T	120.5/28
R1301	7030003290	S.RES ERJ3GEYJ 560 V (56)	B	77.6/53.8
R1302	7030003460	S.RES ERJ3GEYJ 152 V (1.5 k)	B	76.8/52
R1303	7030003290	S.RES ERJ3GEYJ 560 V (56)	B	78.4/52
R1304	7030003400	S.RES ERJ3GEYJ 471 V (470)	T	76.8/47.8
R1305	7030003400	S.RES ERJ3GEYJ 471 V (470)	T	75.7/46.5
R1310	7030003640	S.RES ERJ3GEYJ 473 V (47 k)	T	79/42.9
R1313	7030003640	S.RES ERJ3GEYJ 473 V (47 k)	T	78.7/51.3
R1314	7030003200	S.RES ERJ3GEYJ 100 V (10)	T	80.6/48.9
R1315	7030003370	S.RES ERJ3GEYJ 271 V (270)	T	78.7/48.6
R1316	7030003440	S.RES ERJ3GEYJ 102 V (1 k)	B	75.8/43.3
R1317	7030003320	S.RES ERJ3GEYJ 101 V (100)	T	86.9/48.8
R1318	7030003450	S.RES ERJ3GEYJ 122 V (1.2 k)	T	84.5/49.6
R1401	7030010250	S.RES ERJ1TYJ 0R00U	B	104.9/55.3
R1421	7030003510	S.RES ERJ3GEYJ 392 V (3.9 k)	T	95.1/47.8
R1422	7030003290	S.RES ERJ3GEYJ 560 V (56)	T	96.6/45.3
R1423	7030003290	S.RES ERJ3GEYJ 560 V (56)	T	96.4/46.6
R1424	7030003290	S.RES ERJ3GEYJ 560 V (56)	T	100.1/39.7
R1425	7030003290	S.RES ERJ3GEYJ 560 V (56)	T	98.8/42.3
R1426	7030003440	S.RES ERJ3GEYJ 102 V (1 k)	T	83.2/27.4
R1427	7030003640	S.RES ERJ3GEYJ 473 V (47 k)	T	84.5/26.3
R1428	7030003440	S.RES ERJ3GEYJ 102 V (1 k)	T	85.8/25.5
R1429	7030003440	S.RES ERJ3GEYJ 102 V (1 k)	T	87.1/26
R1430	7030003440	S.RES ERJ3GEYJ 102 V (1 k)	T	89.5/25.6
R1431	7030003440	S.RES ERJ3GEYJ 102 V (1 k)	T	91.5/24.9
R1432	7030003640	S.RES ERJ3GEYJ 473 V (47 k)	T	93.8/30

[SCOPE/TV UNIT]

REF NO.	ORDER NO.	DESCRIPTION	M.	H/V LOCATION
R1433	7030003440	S.RES ERJ3GEYJ 102 V (1 k)	T	93.8/27.9
R1435	7030003640	S.RES ERJ3GEYJ 473 V (47 k)	T	90.8/26.9
R1436	7030003640	S.RES ERJ3GEYJ 473 V (47 k)	T	81.9/28.4
R1501	7030003200	S.RES ERJ3GEYJ 100 V (10)	B	103.7/49.9
R1504	7030003860	S.RES ERJ3GE JPW V	T	101.7/37.4
R1505	7030003860	S.RES ERJ3GE JPW V	B	85.2/51.8
R1507	7030003860	S.RES ERJ3GE JPW V	T	98.8/39.7
R1511	7030003370	S.RES ERJ3GEYJ 271 V (270)	T	103.3/50.9
R1512	7030003370	S.RES ERJ3GEYJ 180 V (18)	T	102.2/48.9
R1513	7030003370	S.RES ERJ3GEYJ 271 V (270)	T	101.8/50.8
R1601	7310004250	TRI EVN-D2AA03 B25		
R1602	7030003560	S.RES ERJ3GEYJ 103 V (10 k)	T	131/70.7
R1603	7030003200	S.RES ERJ3GEYJ 100 V (10)	B	131/69.3
R1604	7030003560	S.RES ERJ3GEYJ 103 V (10 k)	T	133.3/75.2
R1605	7030003200	S.RES ERJ3GEYJ 100 V (10)	B	139.2/61.6
R1606	7030003440	S.RES ERJ3GEYJ 102 V (1 k)	T	129.5/55
R1608	7030003440	S.RES ERJ3GEYJ 102 V (1 k)	T	134.3/62.4
R1609	7030003440	S.RES ERJ3GEYJ 102 V (1 k)	T	137.4/60.5
R1610	7030003440	S.RES ERJ3GEYJ 102 V (1 k)	T	135.1/64.4
R1611	7030003200	S.RES ERJ3GEYJ 100 V (10)	B	129.8/61.8
R1612	7030003200	S.RES ERJ3GEYJ 100 V (10)	B	138.5/54
R1614	7030003500	S.RES ERJ3GEYJ 332 V (3.3 k)	T	129.9/67.5
R1616	7030003520	S.RES ERJ3GEYJ 472 V (4.7 k)	T	131.8/68.3
R1617	7030003440	S.RES ERJ3GEYJ 102 V (1 k)	T	135.1/65.6
R1702	7030003860	S.RES ERJ3GE JPW V	B	131.4/41.8
R1710	7030003320	S.RES ERJ3GEYJ 101 V (100)	B	133.3/42.6
R1802	7030003860	S.RES ERJ3GE JPW V	T	127.4/19.6
R1804	7030003860	S.RES ERJ3GE JPW V	T	123.4/15.3
R1805	7030003860	S.RES ERJ3GE JPW V	T	125.6/17.3
R1901	7030003370	S.RES ERJ3GEYJ 271 V (270)	T	59.7/44.4
R1902	7030003230	S.RES ERJ3GEYJ 180 V (18)	T	60.5/46.3
R1903	7030003370	S.RES ERJ3GEYJ 271 V (270)	T	61.2/44.4
R1904	7030003320	S.RES ERJ3GEYJ 101 V (100)	T	64.7/50.3
R1905	7030003200	S.RES ERJ3GEYJ 100 V (10)	T	64.8/53.9
R1906	7030003500	S.RES ERJ3GEYJ 332 V (3.3 k)	B	65.5/54.9
R1907	7030003420	S.RES ERJ3GEYJ 681 V (680)	B	67/56.9
R1908	7030003220	S.RES ERJ3GEYJ 150 V (15)	T	68.5/61.5
R1909	7030003310	S.RES ERJ3GEYJ 820 V (82)	T	68.5/62.9
R1910	7030003260	S.RES ERJ3GEYJ 330 V (33)	T	65.9/62.9
R1911	7030003230	S.RES ERJ3GEYJ 180 V (18)	T	65.9/64.3
R1912	7030003230	S.RES ERJ3GEYJ 180 V (18)	T	63.3/62.9
R1913	7030003440	S.RES ERJ3GEYJ 102 V (1 k)	T	68.3/49.7
R2001	7030003340	S.RES ERJ3GEYJ 151 V (15)	T	112.2/31.8
R2002	7030007860	S.RES ERJ3GEYJ 8R2V (8.2)	T	114.1/371
R2003	7030003570	S.RES ERJ3GEYJ 123 V (12 k)	T	114.8/26.5
R2004	7030003360	S.RES ERJ3GEYJ 221 V (220)	T	114.9/24.3
R2005	7030003280	S.RES ERJ3GEYJ 470 V (47)	B	113.5/21.5
R2006	7030003200	S.RES ERJ3GEYJ 100 V (10)	T	116.1/24.3
R2007	7030007860	S.RES ERJ3GEYJ 8R2V (8.2)	T	112.9/33.8
R2008	7030003200	S.RES ERJ3GEYJ 100 V (10)	B	116.8/19.5
R2009	7030003860	S.RES ERJ3GE JPW V	T	120.5/14.8
R2011	7030003440	S.RES ERJ3GEYJ 102 V (1 k)	T	111.6/18.6
R2012	7030003340	S.RES ERJ3GEYJ 151 V (150)	T	117.8/14.8
R2101	7030003320	S.RES ERJ3GEYJ 101 V (100)	B	72.2/72.8
R2102	7030003320	S.RES ERJ3GEYJ 101 V (100)	T	58.5/78
R2103	7030003350	S.RES ERJ3GEYJ 181 V (180)	B	68.5/67.8
R2104	7030003240	S.RES ERJ3GEYJ 220 V (22)	B	66.9/67.8
R2181	7030003480	S.RES ERJ3GEYJ 222 V (2.2 k)	T	47.4/57.2
R2182	7030003440	S.RES ERJ3GEYJ 102 V (1 k)	B	50.1/62.9
R2183	7030003200	S.RES ERJ3GEYJ 100 V (10)	B	52.8/58.3
R2184	7030003320	S.RES ERJ3GEYJ 101 V (100)	B	52.8/60.3
R2185	7030003280	S.RES ERJ3GEYJ 470 V (47)	B	45.6/53
R2186	7030003360	S.RES ERJ3GEYJ 221 V (220)	B	53.3/53.5
R2187	7030003860	S.RES ERJ3GE JPW V	B	54.9/53.5
R2201	7030003300	S.RES ERJ3GEYJ 680 V (68)	T	58.8/37.2
R2202	7030003300	S.RES ERJ3GEYJ 680 V (68)	T	58.8/40.8
R2203	7030003320	S.RES ERJ3GEYJ 101 V (100)	T	58.5/43
R2204	7030003320	S.RES ERJ3GEYJ 101 V (100)	T	52.3/43.5
R2205	7030003260	S.RES ERJ3GEYJ 330 V (33)	T	50.2/43.9
R2206	7030003370	S.RES ERJ3GEYJ 271 V (270)	T	45.3/40
R2207	7030003230	S.RES ERJ3GEYJ 180 V (18)	T	44.5/38.1
R2208	7030003370	S.RES ERJ3GEYJ 271 V (270)	T	43.8/40
R2302	7030003860	S.RES ERJ3GE JPW V	T	37.1/49.2
R2303	7030003320	S.RES ERJ3GEYJ 101 V (100)	T	35.2/49.8
R2304	7030			

[SCOPE/TV UNIT]

REF NO.	ORDER NO.	DESCRIPTION	M.	H/V LOCATION
C113	4030007120	S.CER C1608 CH 1H 820J-T	T	8.5/43.2
C115	4030006860	S.CER C1608 JB 1H 102K-T	T	14.2/48.6
C116	4510008560	S.ELE EEE1HAR47SR	T	4.2/43.6
C117	4030006900	S.CER C1608 JB 1H 103K-T	T	22.4/52.6
C118	4030011600	S.CER C1608 JB 1E 104K-T	T	21.1/52.6
C119	4030011600	S.CER C1608 JB 1E 104K-T	T	21.4/39.3
C120	4030018910	S.CER C1608 JB 0J 475K-T	T	22.6/39.3
C201	4030011600	S.CER C1608 JB 1E 104K-T	T	26.1/70.2
C202	4030011600	S.CER C1608 JB 1E 104K-T	T	10.3/64.9
C203	4030011600	S.CER C1608 JB 1E 104K-T	T	24.9/57.4
C204	4030011600	S.CER C1608 JB 1E 104K-T	T	8.4/60.3
C205	4030006900	S.CER C1608 JB 1H 103K-T	T	30.3/69
C206	4030006900	S.CER C1608 JB 1H 103K-T	B	29.7/61.6
C207	4030006900	S.CER C1608 JB 1H 103K-T	B	29.7/59.4
C208	4030006900	S.CER C1608 JB 1H 103K-T	B	29.7/57.7
C295	4030007110	S.CER C1608 CH 1H 680J-T	T	74.9/85.7
C296	4030011340	S.CER C1608 CH 1H 471J-T	B	73.9/84.6
C297	4030007070	S.CER C1608 CH 1H 330J-T	T	73.6/87.9
C298	4030007150	S.CER C1608 CH 1H 151J-T	B	74.4/87.6
C299	4030007110	S.CER C1608 CH 1H 680J-T	T	71.6/88.7
C303	4030018560	S.CER C2012 JB 1A 475K-T	T	2.1/67.9
C305	4550007410	S.TAN F931A157MNBMA	T	9.2/76.1
C401	4030006900	S.CER C1608 JB 1H 103K-T	T	65.1/16.1
C402	4030006900	S.CER C1608 JB 1H 103K-T	T	66.4/16.1
C403	4030006900	S.CER C1608 JB 1H 103K-T	T	67.7/16.1
C404	4030006900	S.CER C1608 JB 1H 103K-T	T	69/16.1
C405	4030006900	S.CER C1608 JB 1H 103K-T	T	70.3/16.1
C406	4030006900	S.CER C1608 JB 1H 103K-T	T	71.6/16.1
C407	4030007050	S.CER C1608 CH 1H 220J-T	T	72.9/16.1
C408	4030007050	S.CER C1608 CH 1H 220J-T	T	75.5/16.6
C409	4030007050	S.CER C1608 CH 1H 220J-T	T	78.1/16.6
C410	4030007050	S.CER C1608 CH 1H 220J-T	T	80.7/16.6
C411	4030007050	S.CER C1608 CH 1H 220J-T	T	83.3/16.6
C412	4030007050	S.CER C1608 CH 1H 220J-T	T	85.9/16.6
C413	4030007050	S.CER C1608 CH 1H 220J-T	T	87.2/16.6
C422	4030011600	S.CER C1608 JB 1E 104K-T	T	56.3/12.7
C451	4030011600	S.CER C1608 JB 1E 104K-T	T	95.9/21.3
C501	4030011600	S.CER C1608 JB 1E 104K-T	B	45.4/20.7
C502	4030011600	S.CER C1608 JB 1E 104K-T	B	35.1/23.8
C511	4030011600	S.CER C1608 JB 1E 104K-T	T	43.5/22.1
C512	4030007130	S.CER C1608 CH 1H 101J-T	B	44.1/23.7
C513	4030007130	S.CER C1608 CH 1H 101J-T	B	42.6/23.7
C514	4030010760	S.CER C1608 CH 1H 331J-T	B	41.1/23.7
C515	4030007030	S.CER C1608 CH 1H 150J-T	T	42.1/22.1
C516	4030007050	S.CER C1608 CH 1H 220J-T	T	40.8/22.1
C517	4030011770	S.CER C1608 CH 1H 060B-T	T	38.6/25.8
C518	4030009560	S.CER C1608 CH 1H R75B-T	T	38.6/24.4
C519	4030007010	S.CER C1608 CH 1H 100D-T	T	39.2/22.3
C520	4030007050	S.CER C1608 CH 1H 220J-T	T	37.9/22.3
C521	4030011770	S.CER C1608 CH 1H 060B-T	T	33/25.5
C522	4030009560	S.CER C1608 CH 1H R75B-T	T	33/24.2
C523	4030007030	S.CER C1608 CH 1H 150J-T	T	32.2/22.2
C524	4030007050	S.CER C1608 CH 1H 220J-T	T	30.8/22.2
C525	4030010760	S.CER C1608 CH 1H 331J-T	B	31/23
C526	4030007130	S.CER C1608 CH 1H 101J-T	B	29.3/23.1
C527	4030007130	S.CER C1608 CH 1H 101J-T	B	27.6/23.1
C528	4030011600	S.CER C1608 JB 1E 104K-T	T	28.5/21.7
C531	4030007160	S.CER C1608 CH 1H 181J-T	T	23.6/22.5
C532	4030011330	S.CER C1608 CH 1H 391J-T	B	21.9/24
C534	4030010760	S.CER C1608 CH 1H 331J-T	T	21.5/22.9
C536	4030007130	S.CER C1608 CH 1H 101J-T	B	18.5/21.6
C538	4030011280	S.CER C1608 CH 1H 271J-T	T	16.3/21.3
C551	4030011600	S.CER C1608 JB 1E 104K-T	B	45.6/14.8
C552	4030011600	S.CER C1608 JB 1E 104K-T	B	33.9/17.4
C561	4030011600	S.CER C1608 JB 1E 104K-T	T	43.1/16
C562	4030007050	S.CER C1608 CH 1H 220J-T	B	43.8/17.8
C563	4030011340	S.CER C1608 CH 1H 471J-T	T	42.4/17.8
C565	4030007040	S.CER C1608 CH 1H 180J-T	T	41.6/16
C566	4030007050	S.CER C1608 CH 1H 220J-T	T	40.4/16
C568	4030007000	S.CER C1608 CH 1H 090D-T	T	38.3/18.3
C569	4030007020	S.CER C1608 CH 1H 120J-T	T	38.8/16.1
C570	4030007050	S.CER C1608 CH 1H 220J-T	T	37.6/16.1
C572	4030007000	S.CER C1608 CH 1H 090D-T	T	32.6/18
C573	4030007040	S.CER C1608 CH 1H 180J-T	T	31.9/15.9
C574	4030007050	S.CER C1608 CH 1H 220J-T	T	30.5/15.9
C576	4030011340	S.CER C1608 CH 1H 471J-T	B	28.8/16.6
C577	4030007050	S.CER C1608 CH 1H 220J-T	B	27.3/16.6
C578	4030011600	S.CER C1608 JB 1E 104K-T	T	28.4/15.1
C581	4030007160	S.CER C1608 CH 1H 181J-T	T	23.4/16
C582	4030007140	S.CER C1608 CH 1H 121J-T	B	21.7/17.5
C583	4030007170	S.CER C1608 CH 1H 221J-T	T	21.7/16
C584	4030010760	S.CER C1608 CH 1H 331J-T	T	20.6/16
C586	4030007050	S.CER C1608 CH 1H 220J-T	B	18.2/15.8
C587	4030007110	S.CER C1608 CH 1H 680J-T	B	18.2/14.4
C588	4030011280	S.CER C1608 CH 1H 271J-T	T	16/15.6
C601	4030011600	S.CER C1608 JB 1E 104K-T	B	45.4/10
C602	4030011600	S.CER C1608 JB 1E 104K-T	B	32/11.3
C611	4030011600	S.CER C1608 JB 1E 104K-T	T	41.7/9.7
C612	4030007110	S.CER C1608 CH 1H 680J-T	B	41.7/11.5
C613	4030011330	S.CER C1608 CH 1H 391J-T	B	40.3/11.5
C615	4030009920	S.CER C1608 CH 1H 050B-T	T	40.1/9.7
C616	4030007070	S.CER C1608 CH 1H 330J-T	T	38.9/9.7
C618	4030007000	S.CER C1608 CH 1H 090D-T	T	36.7/11.8
C619	4030007010	S.CER C1608 CH 1H 100D-T	T	37.3/9.7
C620	4030007050	S.CER C1608 CH 1H 220J-T	T	36/9.7
C622	4030007000	S.CER C1608 CH 1H 090D-T	T	30.9/11.6
C623	4030009920	S.CER C1608 CH 1H 050B-T	T	30.1/9.6
C624	4030007070	S.CER C1608 CH 1H 330J-T	T	28.8/9.6
C626	4030011330	S.CER C1608 CH 1H 391J-T	B	26.9/10.6
C627	4030007110	S.CER C1608 CH 1H 680J-T	B	25.5/10.6
C628	4030011600	S.CER C1608 JB 1E 104K-T	T	26.5/9.3
C631	4030007150	S.CER C1608 CH 1H 151J-T	T	21.3/9.8
C632	4030007130	S.CER C1608 CH 1H 101J-T	B	19.7/11.3
C633	4030007170	S.CER C1608 CH 1H 221J-T	B	19.7/9.9

[SCOPE/TV UNIT]

REF NO.	ORDER NO.	DESCRIPTION	M.	H/V LOCATION
C634	4030007140	S.CER C1608 CH 1H 121J-T	T	19.8/9.9
C635	4030007160	S.CER C1608 CH 1H 181J-T	T	18.6/9.9
C636	4030007130	S.CER C1608 CH 1H 101J-T	B	15.9/9.6
C638	4030011280	S.CER C1608 CH 1H 271J-T	T	13.9/9.1
C651	4030011600	S.CER C1608 JB 1E 104K-T	B	44.2/4
C652	4030011600	S.CER C1608 JB 1E 104K-T	B	30.8/5.6
C661	4030011600	S.CER C1608 JB 1E 104K-T	T	40.4/3.5
C662	4030007080	S.CER C1608 CH 1H 390J-T	B	40.7/5.5
C663	4030011330	S.CER C1608 CH 1H 391J-T	B	39.3/5.5
C665	4030009550	S.CER C1608 CH 1H 2R5B-T	T	37.5/3.6
C666	4030007070	S.CER C1608 CH 1H 330J-T	T	38.9/3.6
C667	4030006980	S.CER C1608 CH 1H 070D-T	T	35.2/7
C668	4030009570	S.CER C1608 CH 1H 0R3B-T	T	35.2/7.5
C669	4030009350	S.CER C1608 CH 1H 3R5B-T	T	34.5/3.7
C670	4030007060	S.CER C1608 CH 1H 270J-T	T	35.8/3.7
C671	4030006980	S.CER C1608 CH 1H 070D-T	T	29.3/6.9
C672	4030009570	S.CER C1608 CH 1H 0R3B-T	T	29.3/5.5
C673	4030009550	S.CER C1608 CH 1H 2R5B-T	T	27.1/3.6
C674	4030007070	S.CER C1608 CH 1H 330J-T	T	28.6/3.6
C676	4030011330	S.CER C1608 CH 1H 391J-T	B	25.4/4.8
C677	4030007080	S.CER C1608 CH 1H 390J-T	B	23.9/4.8
C678	4030011600	S.CER C1608 JB 1E 104K-T	T	24.8/3.4
C681	4030007150	S.CER C1608 CH 1H 151J-T	T	19.5/3.8
C682	4030007070	S.CER C1608 CH 1H 330J-T	B	18.1/4.8
C683	4030011280	S.CER C1608 CH 1H 271J-T	B	18.1/3.4
C684	4030007110	S.CER C1608 CH 1H 680J-T	T	18/3.7
C685	4030007170	S.CER C1608 CH 1H 221J-T	T	16.7/3.7
C686	4030007030	S.CER C1608 CH 1H 150J-T	B	14.5/3.9
C687	4030007120	S.CER C1608 CH 1H 820J-T	B	14.5/2.6
C688	4030007170	S.CER C1608 CH 1H 221J-T	T	11.8/4.2
C1001	4030006900	S.CER C1608 JB 1H 103K-T	T	60.8/81.3
C1002	4030007000	S.CER C1608 CH 1H 090D-T	T	67.7/78.6
C1003	4030011600	S.CER C1608 JB 1E 104K-T	T	68.9/79.9
C1004	4030006900	S.CER C1608 JB 1H 103K-T	B	71/78.8
C1012	4030006860	S.CER C1608 JB 1H 102K-T	B	60.9/88.2
C1013	4030006860	S.CER C1608 JB 1H 102K-T	T	61.2/84.4
C1014	4030006860	S.CER C1608 JB 1H 102K-T	B	67.9/87.5
C1015	4030006860	S.CER C1608 JB 1H 102K-T	T	67.9/84.3
C1016	4030006900	S.CER C1608 JB 1H 103K-T	T	60.6/86.3
C1017	4030006900	S.CER C1608 JB 1H 103K-T	T	60.6/88.9
C1018	4030006900	S.CER C1608 JB 1H 103K-T	T	65.1/85.1
C1019	4030006900	S.CER C1608 JB 1H 103K-T	T	66/87.6
C1020	4030006900	S.CER C1608 JB 1H 103K-T	T	69/88.7
C1021	4030006900	S.CER C1608 JB 1H 103K-T	T	71.5/84.3
C1023	4030007060	S.CER C1608 CH 1H 270J-T	T	102.4/28.4
C1024	4030007000	S.CER C1608 CH 1H 090D-T	T	103.6/28.4
C1025	4030007120	S.CER C1608 CH 1H 820J-T	T	104.9/28.4
C1026	4030007050	S.CER C1608 CH 1H 220J-T	T	102.4/31.2
C1027	4030007150	S.CER C1608 CH 1H 151J-T	T	103.6/31.2
C1028	4030007060	S.CER C1608 CH 1H 270J-T	T	103.2/33.3
C1029	4030007080	S.CER C1608 CH 1H 390J-T	T	106.7/32
C1030	4030007150	S.CER C1608 CH 1H 151J-T	T	104.8/31.2
C1032	4030009920	S.CER C1608 CH 1H 050B-T	T	103.7/35.3
C1033	4030007110	S.CER C1608 CH 1H 680J-T	T	106.7/40.4
C1034	4030007040	S.CER C1608 CH 1H 180J-T	T	104.1/40.4
C1035	4030007100	S.CER C1608 CH 1H 560J-T	T	106.4/41.7
C1036	4030007070	S.CER C1608 CH 1H 330J-T	T	105.6/43.6
C1037	4030007100	S.CER C1608 CH 1H 560J-T	T	107/44.7
C1038	4030007100	S.CER C1608 CH 1H 560J-T	T	104.9/48.9
C1039	4030007060	S.CER C1608 CH 1H 270J-T	T	105.2/50.1
C1041	4030007100	S.CER C1608 CH 1H 560J-T	T	99.8/29.5
C1042	4030007060	S.CER C1608 CH 1H 270J-T	T	97.8/27.6
C1043	4030007070	S.CER C1608 CH 1H 330J-T	T	100.5/27.6
C1044	4030007090	S.CER C1608 CH 1H 470J-T	T	102.4/25.7
C1051	4030006900	S.CER C1608 JB 1H 103K-T	B	89.3/86
C1052	4030011600	S.CER C1608 JB 1E 104K-T	T	106.5/84.7
C1053	4030011600	S.CER C1608 JB 1E 104K-T	T	94.7/78.6
C1054	4030006900	S.CER C1608 JB 1H 103K-T	T	96.7/78.6
C1055	4030011600	S.CER C1608 JB 1E 104K-T	T	103.4/88.7
C1071	4030007030	S.CER C1608 CH 1H 150J-T	T	48.9/78.2
C1072	4030007080	S.CER C1608 CH 1H 390J-T	T	50.2/78.2
C1081	4030007100	S.CER C1608 CH 1H 560J-T		

[SCOPE/TV UNIT]

REF NO.	ORDER NO.	DESCRIPTION	M.	H/V LOCATION
C1215	4030009920	S.CER C1608 CH 1H 050B-T	T	120.8/41.3
C1216	4030011600	S.CER C1608 JB 1E 104K-T	T	123.7/38.6
C1217	4030007090	S.CER C1608 CH 1H 470J-T	T	121.5/39.3
C1301	4030007110	S.CER C1608 CH 1H 680J-T	T	74.9/51.3
C1302	4030007110	S.CER C1608 CH 1H 680J-T	T	80/45.5
C1303	4030011600	S.CER C1608 JB 1E 104K-T	T	76.8/49.1
C1304	4030007030	S.CER C1608 CH 1H 150J-T	T	75.7/44.5
C1310	4030011600	S.CER C1608 JB 1E 104K-T	T	79.9/51.3
C1311	4030006900	S.CER C1608 JB 1H 103K-T	T	84.5/48.4
C1312	4030011600	S.CER C1608 JB 1E 104K-T	T	82.6/47
C1313	4030011600	S.CER C1608 JB 1E 104K-T	T	77.6/41.7
C1314	4030011600	S.CER C1608 JB 1E 104K-T	T	76.5/40.4
C1315	4030011600	S.CER C1608 JB 1E 104K-T	B	79.7/50.1
C1316	4550006050	S.TAN TEESVA OJ 106M8R	B	78.6/46.2
C1422	4030011600	S.CER C1608 JB 1E 104K-T	T	90.8/48
C1423	4030006900	S.CER C1608 JB 1H 103K-T	T	93.1/46.2
C1424	4030011600	S.CER C1608 JB 1E 104K-T	T	94.3/45.9
C1425	4030011600	S.CER C1608 JB 1E 104K-T	T	80.2/30.5
C1426	4030011600	S.CER C1608 JB 1E 104K-T	T	95.9/42.8
C1427	4030011600	S.CER C1608 JB 1E 104K-T	T	97.2/41.5
C1428	4030011600	S.CER C1608 JB 1E 104K-T	T	97.9/33.7
C1429	4030011600	S.CER C1608 JB 1E 104K-T	T	95.5/31.6
C1430	4030011600	S.CER C1608 JB 1E 104K-T	T	92.1/28.2
C1501	4030006900	S.CER C1608 JB 1H 103K-T	T	100.7/47.7
C1502	4030006900	S.CER C1608 JB 1H 103K-T	T	99.3/51.9
C1503	4030006900	S.CER C1608 JB 1H 103K-T	T	95.7/49.5
C1504	4030007070	S.CER C1608 CH 1H 330J-T	T	96.6/51.5
C1505	4030006960	S.CER C1608 CH 1H 050C-T	T	92.8/49.5
C1506	4030007100	S.CER C1608 CH 1H 560J-T	T	92.1/51.5
C1507	4030007020	S.CER C1608 CH 1H 120J-T	T	88.3/51.3
C1508	4030007060	S.CER C1608 CH 1H 270J-T	T	85.4/51.8
C1602	4030009510	S.CER C1608 CH 1H 010B-T	T	136.4/75.2
C1603	4030011600	S.CER C1608 JB 1E 104K-T	T	131.8/72.6
C1604	4030011600	S.CER C1608 JB 1E 104K-T	T	138.7/66.8
C1605	4030007080	S.CER C1608 CH 1H 390J-T	T	130.8/51.5
C1606	4030019130	S.CER C2012 CH 1H 562JT-NS	T	138.9/58.7
C1607	4030018620	S.CER C1608 CH 1H 222J-T	T	137.4/57.9
C1609	4030007130	S.CER C1608 CH 1H 101J-T	T	132.3/62.9
C1610	4030007110	S.CER C1608 CH 1H 680J-T	T	132.3/61.7
C1611	4030018630	S.CER C2012 CH 1H 472J-T	T	135.8/62.2
C1612	4030011600	S.CER C1608 JB 1E 104K-T	B	130.6/59
C1613	4030011600	S.CER C1608 JB 1E 104K-T	B	135.9/51.5
C1615	4030018590	S.CER C1608 CH 1H 122J-T	T	137.4/63.6
C1616	4030018580	S.CER C1608 CH 1H 821J-T	T	132.4/64.4
C1617	4030018610	S.CER C1608 CH 1H 182J-T	T	132.4/65.6
C1618	4030018960	S.CER C3216 JB 1C 106MT-N	B	133.4/73.3
C1619	4030018960	S.CER C3216 JB 1C 106MT-N	B	135.6/62.3
C1620	4030018960	S.CER C3216 JB 1C 106MT-N	B	131.4/57.3
C1621	4030018960	S.CER C3216 JB 1C 106MT-N	B	137.7/50.7
C1701	4030011600	S.CER C1608 JB 1E 104K-T	T	131.4/76
C1702	4030018620	S.CER C1608 CH 1H 222J-T	T	130.2/76
C1703	4030018640	S.CER C2012 CH 1H 103J-T	T	128.6/75.7
C1901	4550006050	S.TAN TEESVA OJ 106M8R	B	81.9/28.7
C1902	4550006050	S.TAN TEESVA OJ 106M8R	T	75.8/34
C1903	4030007110	S.CER C1608 CH 1H 680J-T	T	62.5/45.5
C1904	4030007050	S.CER C1608 CH 1H 220J-T	T	64.5/45.9
C1905	4030007140	S.CER C1608 CH 1H 121J-T	T	67.3/42.4
C1906	4030006980	S.CER C1608 CH 1H 070D-T	T	68/44.3
C1907	4030007120	S.CER C1608 CH 1H 820J-T	T	68.6/42.4
C1908	4030006900	S.CER C1608 JB 1H 103K-T	T	64.7/51.5
C1909	4030007070	S.CER C1608 CH 1H 330J-T	T	70.9/50.9
C1910	4030007100	S.CER C1608 CH 1H 560J-T	T	68.3/50.9
C1911	4030006900	S.CER C1608 JB 1H 103K-T	T	64.8/55.1
C1912	4030006900	S.CER C1608 JB 1H 103K-T	T	68.5/60.1
C2001	4030006900	S.CER C1608 JB 1H 103K-T	T	114.1/28.4
C2002	4030011600	S.CER C1608 JB 1E 104K-T	T	112/23.5
C2003	4550006250	S.TAN TEESVA 1A 106M8R	T	119.3/19.1
C2004	4030011600	S.CER C1608 JB 1E 104K-T	T	117.6/18.3
C2005	4550006250	S.TAN TEESVA 1A 106M8R	T	112.2/21.6
C2006	4030011600	S.CER C1608 JB 1E 104K-T	B	114.5/17.9
C2012	4030006900	S.CER C1608 JB 1H 103K-T	T	115/14.8
C2101	4030006900	S.CER C1608 JB 1H 103K-T	T	56.9/77.9
C2102	4030007000	S.CER C1608 CH 1H 090D-T	T	64.3/75
C2103	4030011600	S.CER C1608 JB 1E 104K-T	T	67.3/74.1
C2104	4030006900	S.CER C1608 JB 1H 103K-T	B	68.5/70.5
C2160	4030007110	S.CER C1608 CH 1H 680J-T	T	52.3/71
C2161	4030007090	S.CER C1608 CH 1H 470J-T	T	50.8/71
C2162	4030007080	S.CER C1608 CH 1H 390J-T	T	52.3/67.8
C2163	4030007130	S.CER C1608 CH 1H 101J-T	T	50.8/67.8
C2164	4030007060	S.CER C1608 CH 1H 270J-T	T	53.8/66.3
C2165	4030007080	S.CER C1608 CH 1H 390J-T	T	51.5/62.8
C2166	4030007050	S.CER C1608 CH 1H 220J-T	T	50.9/60
C2167	4030007120	S.CER C1608 CH 1H 820J-T	T	49.6/61.6
C2168	4030007000	S.CER C1608 CH 1H 090D-T	T	48.8/59.3
C2169	4030007100	S.CER C1608 CH 1H 560J-T	T	48.3/61.6
C2170	4030010760	S.CER C1608 CH 1H 331J-T	T	50.8/64.8
C2171	4030007080	S.CER C1608 CH 1H 390J-T	T	52.3/64.8
C2181	4030006900	S.CER C1608 JB 1H 103K-T	T	46.4/61.6
C2182	4030011600	S.CER C1608 JB 1E 104K-T	B	55.1/59
C2183	4030011600	S.CER C1608 JB 1E 104K-T	B	44.7/55.1
C2184	4030007040	S.CER C1608 CH 1H 180J-T	B	52.5/56
C2201	4030006900	S.CER C1608 JB 1H 103K-T	T	68.6/37.2
C2202	4030006900	S.CER C1608 JB 1H 103K-T	T	68.5/40.2
C2203	4030006900	S.CER C1608 JB 1H 103K-T	T	58.8/38.4
C2204	4030006900	S.CER C1608 JB 1H 103K-T	T	58.8/39.6
C2205	4030006900	S.CER C1608 JB 1H 103K-T	T	50.3/41.5
C2206	4030006860	S.CER C1608 JB 1H 102K-T	T	50.3/42.7
C2207	4030006900	S.CER C1608 JB 1H 103K-T	T	46/36.9
C2208	4030006900	S.CER C1608 JB 1H 103K-T	T	46.8/40.6
C2301	4030007170	S.CER C1608 CH 1H 221J-T	T	35.2/45.9
C2302	4030007130	S.CER C1608 CH 1H 101J-T	T	37.1/46.6
C2303	4030007170	S.CER C1608 CH 1H 221J-T	T	35.2/47.2
C2304	4030011600	S.CER C1608 JB 1E 104K-T	T	37.1/55.6
C2305	4030011600	S.CER C1608 JB 1E 104K-T	T	37.1/51.9

[SCOPE/TV UNIT]

REF NO.	ORDER NO.	DESCRIPTION	M.	H/V LOCATION
C2306	4030011600	S.CER C1608 JB 1E 104K-T	T	37.1/63.3
C2307	4030011600	S.CER C1608 JB 1E 104K-T	T	42.4/60.8
C2308	4030007170	S.CER C1608 CH 1H 221J-T	T	37.1/65.9
C2309	4030007140	S.CER C1608 CH 1H 121J-T	T	42.8/66
C2310	4030010760	S.CER C1608 CH 1H 331J-T	T	37.1/67.2
C2311	4030007090	S.CER C1608 CH 1H 470J-T	T	39/67.6
C2312	4030011280	S.CER C1608 CH 1H 271J-T	T	37.1/68.5
C2313	4030018560	S.CER C2012 JB 1A 475K-T	T	37/54
C2314	4030018560	S.CER C2012 JB 1A 475K-T	T	39.2/49.7
C2315	4510008500	S.ELE EEE1CA101WP	T	33.6/84.5
J301	6510018961	S.CNR B2B-PH-SM4-TB (LF) (SN)	T	22.1/86.5
J401	6510020081	S.CNR 52808-2071 (2090)	T	71/5.5
J1001	6510007020	CNR TMP-J01X-V6		
J1301	6510007020	CNR TMP-J01X-V6		
J1601	6510018961	S.CNR B2B-PH-SM4-TB (LF) (SN)	T	138.4/49.5
J2001	6510007020	CNR TMP-J01X-V6		
J2301	6510007020	CNR TMP-J01X-V6		
EP401	6910015970	S.BEA MMZ1608B 301CT-AS	T	65.1/11.5
EP402	6910015970	S.BEA MMZ1608B 301CT-AS	T	66.4/11.5
EP403	6910015970	S.BEA MMZ1608B 301CT-AS	T	67.7/11.5
EP404	6910015970	S.BEA MMZ1608B 301CT-AS	T	69/11.5
EP405	6910014730	S.BEA MPZ2012S331A-T	T	72.5/11.8
EP1101	6910015970	S.BEA MMZ1608B 301CT-AS	T	98.8/64.7
EP1301	6910015970	S.BEA MMZ1608B 301CT-AS	T	81.4/47
EP1501	6910015970	S.BEA MMZ1608B 301CT-AS	B	106.7/49.9
EP2001	6910015970	S.BEA MMZ1608B 301CT-AS	B	114.5/19.4
EP2002	6910015970	S.BEA MMZ1608B 301CT-AS	B	116/21.4
EP2201	6910015970	S.BEA MMZ1608B 301CT-AS	T	46.8/43.9

M.=Mounted side (T: Mounted on the Top side B: Mounted on the Bottom side)
S.=Surface mount

[OSC UNIT]

REF NO.	ORDER NO.	DESCRIPTION	M.	H/V LOCATION
IC10	1180002610	S.REG BA12FP-E2	T	37.8/20
IC91	1190002001	S.IC AD5260BRUZ50	T	26.8/12
IC92	1130005721	S.IC TC7W04F (TE12L,F)	T	23.7/6.1
Q10	1590003520	S.TR BCR108T	T	32.2/35.1
	1590003940	S.TR RN1105 (TE85L,F) [FRA], [AUS], [CHN]	T	32.2/35.1
Q11	1590003520	S.TR BCR108T	T	22.1/42.4
	1590003940	S.TR RN1105 (TE85L,F) [FRA], [AUS], [CHN]	T	22.1/42.4
Q12	1590003520	S.TR BCR108T	T	29.1/41.5
	1590003940	S.TR RN1105 (TE85L,F) [FRA], [AUS], [CHN]	T	29.1/41.5
Q13	1590003520	S.TR BCR108T	T	31.6/41.5
	1590003940	S.TR RN1105 (TE85L,F) [FRA], [AUS], [CHN]	T	31.6/41.5
Q21	1530002060	S.TR 2SC4081 T106 R	T	11.3/6.3
Q22	1530002601	S.TR 2SC4215-O (TE85R,F)	T	10.4/17.8
Q23	1590003520	S.TR BCR108T	T	13/11
	1590003940	S.TR RN1105 (TE85L,F) [FRA], [AUS], [CHN]	T	13/11
Q42	1530002601	S.TR 2SC4215-O (TE85R,F)	T	18.8/18.8
Q43	1590003520	S.TR BCR108T	T	19.6/11.7
	1590003940	S.TR RN1105 (TE85L,F) [FRA], [AUS], [CHN]	T	19.6/11.7
Q61	1530002060	S.TR 2SC4081 T106 R	T	26.1/36.1
Q62	1530002060	S.TR 2SC4081 T106 R	T	20.6/38.6
Q70	1530002060	S.TR 2SC4081 T106 R	T	9.9/41.2
Q101	1530002700	S.TR 2SC4097 T106Q	T	36.7/40
D10	1790001250	S.DIO MA2S1110G-(TX)	T	31.4/31.7
D11	1790001250	S.DIO MA2S1110G-(TX)	T	16.5/38.2
D71	1750000381	S.DIO 1SS312 (TE85L,F)	T	29.8/34.9
D72	1750000381	S.DIO 1SS312 (TE85L,F)	T	29.9/37.6
X1	6050012210	XTL CR-772.OCVXO-148A		
L20	6200005491	S.COL NLV32T-331J	T	14.7/1.9
L21	6200003261	S.COL NLV32T-101J	T	6.9/11.2
L22	6200003261	S.COL NLV32T-101J	T	7.9/14.7
L23	6200003041	S.COL NLV32T-R68J	T	6.9/20.3
L24	6200003051	S.COL NLV32T-R82J	T	6.2/23.8
L41	6200003261	S.COL NLV32T-101J	T	15.3/13.7
L42	6200003261	S.COL NLV32T-101J	T	14.7/17.2
L43	6200003041	S.COL NLV32T-R68J	T	15.3/22.4
L44	6200003051	S.COL NLV32T-R82J	T	18.8/24.2
L61	6150004170	COL LS-476		
L62	6150004170	COL LS-476		
R1	7030003440	S.RES ERJ3GEYJ 102 V (1 k)	T	32.4/44.3
R2	7030003440	S.RES ERJ3GEYJ 102 V (1 k)	T	29.8/44.2
R3	7030003440	S.RES ERJ3GEYJ 102 V (1 k)	T	25.8/44.2
R11	7030003200	S.RES ERJ3GEYJ 100 V (10)	T	33.3/32.3
R12	7030003200	S.RES ERJ3GEYJ 100 V (10)	T	16.7/40.3
R13	7030003440	S.RES ERJ3GEYJ 102 V (1 k)	T	16.8/11.6
R20	7030003240	S.RES ERJ3GEYJ 220 V (22)	T	11.3/1.8
R21	7030003560	S.RES ERJ3GEYJ 103 V (10 k)	T	11.1/4.4
R22	7030003370	S.RES ERJ3GEYJ 271 V (270)	T	15.5/7.9
R23	7030004040	S.RES ERJ3GEYJ 4R7 V (4.7)	T	11.4/14
R24	7030003370	S.RES ERJ3GEYJ 271 V (270)	T	12.3/17.7
R25	7030003500	S.RES ERJ3GEYJ 332 V (3.3 k)	T	10.1/14.2
R26	7030003480	S.RES ERJ3GEYJ 222 V (2.2 k)	T	12.8/9.1
R27	7030003360	S.RES ERJ3GEYJ 221 V (220)	T	5.8/13.9
R28	7030003440	S.RES ERJ3GEYJ 102 V (1 k)	T	10.2/11.9
R43	7030003240	S.RES ERJ3GEYJ 220 V (22)	T	19.7/14.2
R44	7030003370	S.RES ERJ3GEYJ 271 V (270)	T	20.7/18.6
R45	7030003500	S.RES ERJ3GEYJ 332 V (3.3 k)	T	17.9/15.1
R46	7030003480	S.RES ERJ3GEYJ 222 V (2.2 k)	T	19.4/9.8
R47	7030003290	S.RES ERJ3GEYJ 560 V (56)	T	16.8/17.9
R61	7030003240	S.RES ERJ3GEYJ 220 V (22)	T	22.2/35.4
R62	7030003560	S.RES ERJ3GEYJ 103 V (10 k)	T	26.3/34.2
R63	7030003380	S.RES ERJ3GEYJ 331 V (330)	T	25.9/38
R64	7030003280	S.RES ERJ3GEYJ 470 V (47)	T	20.8/40.5
R65	7030003400	S.RES ERJ3GEYJ 471 V (470)	T	20/34.8
R67	7030003560	S.RES ERJ3GEYJ 103 V (10 k)	T	19.6/36.7
R68	7030003550	S.RES ERJ3GEYJ 822 V (8.2 k)	T	22.2/36.7
R71	7030003340	S.RES ERJ3GEYJ 151 V (150)	T	32.6/38.2
R72	7030003270	S.RES ERJ3GEYJ 390 V (39)	T	31.2/39.5
R73	7030003340	S.RES ERJ3GEYJ 151 V (150)	T	28.6/39.5
R75	7030003280	S.RES ERJ3GEYJ 470 V (47)	T	16.2/43.1
R77	7030003320	S.RES ERJ3GEYJ 101 V (100)	T	12.5/44.6
R78	7030003470	S.RES ERJ3GEYJ 182 V (1.8 k)	T	8/41
R79	7030003480	S.RES ERJ3GEYJ 222 V (2.2 k)	T	6.1/41.6
R80	7030003360	S.RES ERJ3GEYJ 221 V (220)	T	11.8/41
R82	7030003280	S.RES ERJ3GEYJ 470 V (47)	T	17.5/43.1
R91	7030006091	S.RES ERA3YED 822V (8.2 k)	T	19.5/7.1
R92	7030005341	S.RES ERA3YED 332V (3.3 k)	T	19.5/8.4
R93	7030003560	S.RES ERJ3GEYJ 103 V (10 k)	T	25.6/1.4
R94	7030003540	S.RES ERJ3GEYJ 682 V (6.8 k)	T	25.6/2.7
R95	7030003320	S.RES ERJ3GEYJ 101 V (100)	T	22.4/16.7
R96	7030003440	S.RES ERJ3GEYJ 102 V (1 k)	T	32/14.1
R97	7030003440	S.RES ERJ3GEYJ 102 V (1 k)	T	28.6/16.1
R98	7030003640	S.RES ERJ3GEYJ 473 V (47 k)	T	27.3/16.1

[OSC UNIT]

REF NO.	ORDER NO.	DESCRIPTION	M.	H/V LOCATION
R99	7030003480	S.RES ERJ3GEYJ 222 V (2.2 k)	T	22.4/10.1
R100	7030003640	S.RES ERJ3GEYJ 473 V (47 k)	T	27.2/6.4
R101	7030003360	S.RES ERJ3GEYJ 221 V (220)	T	36.9/38.1
R102	7030005981	S.RES ERA3YED 333V (33 k)	T	32.4/6.7
C1	4030006880	S.CER C1608 JB 1H 472K-T	T	39.6/47.6
C2	4030006880	S.CER C1608 JB 1H 472K-T	T	31.1/44.3
C3	4030006880	S.CER C1608 JB 1H 472K-T	T	33.7/44
C4	4030006880	S.CER C1608 JB 1H 472K-T	T	30.5/8.6
C5	4510008550	S.ELE EEE1H0SR	T	30.6/2.6
C6	4030006880	S.CER C1608 JB 1H 472K-T	T	35/3.4
C7	4510008550	S.ELE EEE1H0SR	T	38.7/2.6
C8	4030011600	S.CER C1608 JB 1E 104K-T	T	17.3/2.1
C9	4030006880	S.CER C1608 JB 1H 472K-T	T	27.1/43.1
C10	4510008680	S.ELE EEE1EA220SP	T	29.7/21.3
C11	4030004760	S.CER C2012 JF 1H 104Z-T	T	35.9/13
C12	4030006880	S.CER C1608 JB 1H 472K-T	T	39.2/12.8
C13	4510008680	S.ELE EEE1EA220SP	T	37.1/8.6
C14	4030006880	S.CER C1608 JB 1H 472K-T	T	94.7/33.9
C15	4030011600	S.CER C1608 JB 1E 104K-T	T	39.2/14.1
C16	4030011600	S.CER C1608 JB 1E 104K-T	T	29.6/32.3
C17	4030011600	S.CER C1608 JB 1E 104K-T	T	19.4/41.8
C18	4030011600	S.CER C1608 JB 1E 104K-T	T	17.8/38.3
C19	4030011600	S.CER C1608 JB 1E 104K-T	T	31.5/33
C20	4030011600	S.CER C1608 JB 1E 104K-T	T	13.3/5.2
C21	4030011600	S.CER C1608 JB 1E 104K-T	T	11.3/3.1
C22	4030011600	S.CER C1608 JB 1E 104K-T	T	15/11
C23	4030011600	S.CER C1608 JB 1E 104K-T	T	11.9/15.8
C24	4030011600	S.CER C1608 JB 1E 104K-T	T	12.7/14
C25	4030011600	S.CER C1608 JB 1E 104K-T	T	10.2/19.8
C26	4030017800	S.CER C1608 CH 1H 561J-T	T	10.2/21.1
C27	4030007120	S.CER C1608 CH 1H 820J-T	T	7.7/18.2
C28	4030011340	S.CER C1608 CH 1H 471J-T	T	8.9/25.2
C29	4030011330	S.CER C1608 CH 1H 391J-T	T	10.2/23.8
C30	4030007050	S.CER C1608 CH 1H 220J-T	T	8.4/24.5
C31	4030017800	S.CER C1608 CH 1H 561J-T	T	10.2/25.1
C32	4030011600	S.CER C1608 JB 1E 104K-T	T	10.8/9.2
C33	4030011600	S.CER C1608 JB 1E 104K-T	T	9.5/10.1
C42	4030011600	S.CER C1608 JB 1E 104K-T	T	21.6/12.7
C43	4030011600	S.CER C1608 JB 1E 104K-T	T	20.1/16.8
C44	4030011600	S.CER C1608 JB 1E 104K-T	T	19.9/15.5
C45	4030011600	S.CER C1608 JB 1E 104K-T	T	13.2/20.6
C46	4030017800	S.CER C1608 CH 1H 561J-T	T	15/19.8
C47	4030007120	S.CER C1608 CH 1H 820J-T	T	13.2/23.2
C48	4030011340	S.CER C1608 CH 1H 471J-T	T	17.5/21.5
C49	4030011330	S.CER C1608 CH 1H 391J-T	T	18.8/21.5
C50	4030007050	S.CER C1608 CH 1H 220J-T	T	20.6/22.1
C51	4030017800	S.CER C1608 CH 1H 561J-T	T	21.7/24.4
C52	4030011600	S.CER C1608 JB 1E 104K-T	T	17.6/8.8
C53	4030011600	S.CER C1608 JB 1E 104K-T	T	16.3/9.7
C61	4030011600	S.CER C1608 JB 1E 104K-T	T	26.3/32.9
C62	4030011600	S.CER C1608 JB 1E 104K-T	T	24.1/36.1
C63	4030011600	S.CER C1608 JB 1E 104K-T	T	25.9/39.3
C64	4030011600	S.CER C1608 JB 1E 104K-T	T	22.7/34.1
C66	4030007010	S.CER C1608 CH 1H 100D-T	T	12.8/25.1
C67	4030011600	S.CER C1608 JB 1E 104K-T	T	17/35.4
C71	4030006880	S.CER C1608 JB 1H 472K-T	T	33.8/39.5
C72	4030006880	S.CER C1608 JB 1H 472K-T	T	14.4/45.4
C73	4030006880	S.CER C1608 JB 1H 472K-T	T	6.1/40.3
C74	4030006880	S.CER C1608 JB 1H 472K-T	T	10/43.2
C75	4030006880	S.CER C1608 JB 1H 472K-T	T	13.1/40.9
C76	4030006880	S.CER C1608 JB 1H 472K-T	T	19.4/45.4
C77	4030011600	S.CER C1608 JB 1E 104K-T	T	10.7/44.6
C91	4030006880	S.CER C1608 JB 1H 472K-T	T	25.5/16.4
C92	4030006880	S.CER C1608 JB 1H 472K-T	T	17.3/4.7
C93	4030006880	S.CER C1608 JB 1H 472K-T	T	22.1/2.7
C94	4030006880	S.CER C1608 JB 1H 472K-T	T	27.9/8.6
C101	4550006480	S.TAN TEESVA 1C 475M8R	T	40/38.9
RL10	6330001750	RLY FTR-B4C2Z		
RL11	6330001750	RLY FTR-B4C2Z		
J2	6510019971	S.CNR 52808-1071	T	30.5/48.8
J71	6510007020	CNR TMP-J01X-V6		
J72	6510007020	CNR TMP-J01X-V6		
J73	6510007020	CNR TMP-J01X-V6		
EP2	6910014730	S.BEA MPZ2012S331A-T	T	38.8/43.6
EP3	6910014730	S.BEA MPZ2012S331A-T	T	35.8/43.6
EP10	6910014730	S.BEA MPZ2012S331A-T	T	94.7/30.6
EP91	6910014730	S.BEA MPZ2012S331A-T	T	23.6/19.7
EP92	6910014730	S.BEA MPZ2012S331A-T	T	19.2/4.4

M.=Mounted side (T: Mounted on the Top side B: Mounted on the Bottom side)
S.=Surface mount

[DC-DC UNIT]

REF NO.	ORDER NO.	DESCRIPTION	M.	H/V LOCATION
IC1	1190002450	S.IC BD9851FEV-E2	T	37.8/69.7
IC21	1190002450	S.IC BD9851FEV-E2	T	85.5/69.7
IC41	1190002450	S.IC BD9851FEV-E2	T	37.8/26.6
IC151	1110002700	S.IC NJM2904M-TE1-#FMZB	T	162.5/59.9
Q1	1550000120	S.FET SSM3J112TU (TE85L)	T	28.6/66.8
Q2	1550000120	S.FET SSM3J112TU (TE85L)	T	28.6/64.1
Q11	1550000120	S.FET SSM3J112TU (TE85L)	T	42.4/65.1
Q12	1550000120	S.FET SSM3J112TU (TE85L)	T	42.4/62.4
Q21	1550000120	S.FET SSM3J112TU (TE85L)	T	74.9/67.1
Q31	1560001330	S.FET RSR025N03	T	86.6/62.9
Q41	1550000120	S.FET SSM3J112TU (TE85L)	T	28.6/21
Q42	1550000120	S.FET SSM3J112TU (TE85L)	T	28.6/23.7
Q51	1550000120	S.FET SSM3J112TU (TE85L)	T	42.4/22
Q52	1550000120	S.FET SSM3J112TU (TE85L)	T	42.4/19.3
Q101	1560001260	S.FET 2SK3018 T106	T	156.1/61.6
Q102	1590001870	S.TR DTA114EE TL [FRA], [AUS], [CHN]	T	156.2/57.4
	1590003570	S.TR BCR183T	T	
		except [FRA], [AUS], [CHN]	T	156.2/57.4
Q111	1520000460	S.TR 2SB1132 T100 R	T	154.9/45.8
Q112	1530002060	S.TR 2SC4081 T106 R	T	158.6/48.2
D1	1750000960	S.DIO RB081L-20	T	31.4/61.1
D2	1750000880	S.DIO RB551V-30TE-17	T	30.9/69.7
D11	1750000960	S.DIO RB081L-20	T	38.1/59.9
D12	1750000880	S.DIO RB551V-30TE-17	T	42.6/68.1
D21	1790001450	S.DIO RB160L-40 TE-25	T	71.7/65.1
D31	1790001450	S.DIO RB160L-40 TE-25	T	97/62.6
D41	1750000960	S.DIO RB081L-20	T	31.4/18
D42	1750000880	S.DIO RB551V-30TE-17	T	30.9/26.6
D51	1750000960	S.DIO RB081L-20	T	38.1/16.8
D52	1750000880	S.DIO RB551V-30TE-17	T	42.6/25
D101	1750000550	S.DIO 1SS355 TE-17	T	154/61.7
D102	1750000550	S.DIO 1SS355 TE-17	T	154.2/55.8
D111	1730002280	S.ZEN MAZ8091GM (TX)	T	162.1/49.7
D121	1790000700	DIO DSA3A1	T	
D122	1790000700	DIO DSA3A1	T	
D151	1750000550	S.DIO 1SS355 TE-17	T	161.6/54.2
FI121	4580000220	S.FIL ACM1211-701-2PL-TL	T	151.1/26.3
L1	6200012250	S.COL SLF7045T-3R3M2R5-PF 3.3U	T	23/62.5
L2	6200011300	S.COL EXCML16A270U	T	27.4/61.4
L11	6200012250	S.COL SLF7045T-3R3M2R5-PF 3.3U	T	48/60.2
L12	6200011300	S.COL EXCML16A270U	T	49.2/60.3
L21	6180003501	S.COL SLF6028T-100M1R3-PF	T	78.2/60.4
L22	6200011300	S.COL EXCML16A270U	T	72.1/61.3
L23	6200011300	S.COL EXCML16A270U	T	76.7/65.2
L31	6200012240	S.COL SLF6028T-330MR69-PF 33U	T	92.2/62.4
L32	6200011300	S.COL EXCML16A270U	T	96.2/58
L33	6200011300	S.COL EXCML16A270U	T	88.3/64.9
L41	6200012250	S.COL SLF7045T-3R3M2R5-PF 3.3U	T	23/19.4
L42	6200011300	S.COL EXCML16A270U	T	27.4/18.3
L51	6200012250	S.COL SLF7045T-3R3M2R5-PF 3.3U	T	48/17.1
L52	6200011300	S.COL EXCML16A270U	T	42.9/17.2
L91	6200010881	S.COL CDRH124NP-330MC	T	56.1/72.8
L92	6200010881	S.COL CDRH124NP-330MC	T	103.8/72.8
L93	6200010881	S.COL CDRH124NP-330MC	T	56.1/29.7
R1	7030006101	S.RES ERA3YED 183V (18 k) [FRA], [AUS], [CHN]	T	24.2/70
R1	7030006561	S.RES ERA3YED 223V (22 k) except [FRA], [AUS], [CHN]	T	24.2/70
R2	7030006091	S.RES ERA3YED 822V (8.2 k) [FRA], [AUS], [CHN]	T	24.2/71.3
R2	7030007230	S.RES ERA3YED 102V (1 k) except [FRA], [AUS], [CHN]	T	24.2/71.3
R3	7030005321	S.RES ERA3YED 103V (10 k)	T	24.2/72.6
R4	7030003440	S.RES ERJ3GEYJ 102 V (1 k)	T	27/68.7
R5	7030003480	S.RES ERJ3GEYJ 222 V (2.2 k)	T	31.5/72
R6	7030003760	S.RES ERJ3GEYJ 474 V (470 k)	T	28.9/72
R8	7030005451	S.RES ERA3YED 153V (15 k)	T	29.6/73.9
R9	7030005321	S.RES ERA3YED 103V (10 k)	T	31.5/74.7
R10	7030003600	S.RES ERJ3GEYJ 223 V (22 k)	T	34.1/74.7
R11	7030005691	S.RES ERA3YED 123V (12 k) [FRA], [AUS], [CHN]	T	46.2/70.4
R11	7030006561	S.RES ERA3YED 223V (22 k) except [FRA], [AUS], [CHN]	T	46.2/70.4
R12	7030005691	S.RES ERA3YED 123V (12 k) [FRA], [AUS], [CHN]	T	47.8/69.1
R12	7030007230	S.RES ERA3YED 102V (1 k) except [FRA], [AUS], [CHN]	T	47.8/69.1
R13	7030005321	S.RES ERA3YED 103V (10 k)	T	45.5/72.5
R14	7030003440	S.RES ERJ3GEYJ 102 V (1 k)	T	48.1/72.5
R15	7030003480	S.RES ERJ3GEYJ 222 V (2.2 k)	T	45.5/68.4
R16	7030003760	S.RES ERJ3GEYJ 474 V (470 k)	T	45.7/65.8
R17	7510001671	S.TMR NTCG16 4BH 103JT	T	37.4/73.8
R18	7030006601	S.RES ERA3YED 272V (2.7 k)	T	37.4/75.3
R21	7030005691	S.RES ERA3YED 123V (12 k)	T	73.8/75.1
R22	7030007230	S.RES ERA3YED 102V (1 k)	T	76.4/74.4
R23	7030006461	S.RES ERA3YED 152V (1.5 k)	T	73.8/72.4
R24	7030003440	S.RES ERJ3GEYJ 102 V (1 k)	T	72.5/75.1
R25	7030003440	S.RES ERJ3GEYJ 102 V (1 k)	T	77.1/71
R26	7030003700	S.RES ERJ3GEYJ 154 V (150 k)	T	75.1/69.8
R27	7030003740	S.RES ERJ3GEYJ 334 V (330 k)	T	73/69
R28	7030005451	S.RES ERA3YED 153V (15 k)	T	77.1/72.3
R29	7030005321	S.RES ERA3YED 103V (10 k)	T	77.7/74.4
R30	7030003600	S.RES ERJ3GEYJ 223 V (22 k)	T	80.9/72.9
R31	7030008071	S.RES ERA3YED 273V (27 k)	T	93.9/70.6

[DC-DC UNIT]

REF NO.	ORDER NO.	DESCRIPTION	M.	H/V LOCATION
R33	7030007230	S.RES ERA3YED 102V (1 k)	T	93.2/72.7
R34	7030003440	S.RES ERJ3GEYJ 102 V (1 k)	T	95.8/72.7
R35	7030003440	S.RES ERJ3GEYJ 102 V (1 k)	T	92.4/68.4
R36	7030003700	S.RES ERJ3GEYJ 154 V (150 k)	T	94.7/66.6
R37	7030003740	S.RES ERJ3GEYJ 334 V (330 k)	T	96.4/68.6
R41	7030005691	S.RES ERA3YED 123V (12 k)	T	24.2/26.9
R42	7030005691	S.RES ERA3YED 123V (12 k)	T	24.2/28.2
R43	7030005321	S.RES ERA3YED 103V (10 k)	T	24.2/29.5
R44	7030003440	S.RES ERJ3GEYJ 102 V (1 k)	T	27/25.6
R45	7030003480	S.RES ERJ3GEYJ 222 V (2.2 k)	T	31.5/28.9
R46	7030003760	S.RES ERJ3GEYJ 474 V (470 k)	T	28.9/28.9
R48	7030005451	S.RES ERA3YED 153V (15 k)	T	29.6/30.8
R49	7030005321	S.RES ERA3YED 103V (10 k)	T	31.5/31.6
R50	7030003600	S.RES ERJ3GEYJ 223 V (22 k)	T	34.1/31.6
R51	7030005691	S.RES ERA3YED 123V (12 k)	T	46.2/27.3
R52	7030005691	S.RES ERA3YED 123V (12 k)	T	47.8/26
R53	7030005321	S.RES ERA3YED 103V (10 k)	T	45.5/29.4
R54	7030003440	S.RES ERJ3GEYJ 102 V (1 k)	T	48.1/29.4
R55	7030003480	S.RES ERJ3GEYJ 222 V (2.2 k)	T	45.5/25.3
R56	7030003760	S.RES ERJ3GEYJ 474 V (470 k)	T	45.7/22.7
R101	7030003320	S.RES ERJ3GEYJ 101 V (100)	T	152.4/64.8
R102	7030003680	S.RES ERJ3GEYJ 104 V (100 k)	T	156/65
R103	7030003320	S.RES ERJ3GEYJ 101 V (100)	T	153.2/58.1
R104	7030003860	S.RES ERJ3GE JPW V	T	152/49.4
R112	7030003500	S.RES ERJ3GEYJ 332 V (3.3 k)	T	160.5/49.4
R113	7030003860	S.RES ERJ3GE JPW V	T	163.8/41.8
R114	7030003560	S.RES ERJ3GEYJ 103 V (10 k)	T	155.6/49.1
R131	7030003440	S.RES ERJ3GEYJ 102 V (1 k)	T	2.7/42.3
R132	7030003440	S.RES ERJ3GEYJ 102 V (1 k)	T	1.4/42.3
R151	7030005351	S.RES ERA3YED 182V (1.8 k)	T	167.2/59.3
R152	7030005341	S.RES ERA3YED 332V (3.3 k)	T	165.9/60.8
R153	7030005341	S.RES ERA3YED 332V (3.3 k)	T	161.8/65.5
R154	7030005681	S.RES ERA3YED 473V (47 k)	T	163.7/64.7
R155	7030003200	S.RES ERJ3GEYJ 100 V (10)	T	167.2/56.3
C1	4030011600	S.CER C1608 JB 1E 104K-T	T	29.2/56.9
C2	4030018970	S.CER C3225 JB 1C 226MT-N	T	32.2/58.1
C3	4030018970	S.CER C3225 JB 1C 226MT-N	T	32.2/66.1
C4	4030010240	S.CER C1608 JB 1H 391K-T	T	27/70
C5	4030010770	S.CER C1608 JB 1H 392K-T	T	30.2/72
C7	4030018520	S.CER C1608 JB 0J 225M-T	T	27.6/72
C8	4030007070	S.CER C1608 CH 1H 330J-T	T	32.8/74.7
C9	4030011600	S.CER C1608 JB 1E 104K-T	T	52/64.6
C11	4030011600	S.CER C1608 JB 1E 104K-T	T	43.6/57.1
C12	4030018970	S.CER C3225 JB 1C 226MT-N	T	37.8/56.9
C13	4030018970	S.CER C3225 JB 1C 226MT-N	T	38.3/63.7
C14	4030010240	S.CER C1608 JB 1H 391K-T	T	46.8/72.5
C15	4030010770	S.CER C1608 JB 1H 392K-T	T	44.2/68.4
C16	4030011600	S.CER C1608 JB 1E 104K-T	T	47.8/67.5
C17	4030018520	S.CER C1608 JB 0J 225M-T	T	47.8/66.5
C18	4030019090	S.CER C2012 JB 1C 225M-T	T	42.6/73.8
C19	4030017490	S.CER C1608 JB 1A 105K-T	T	44.1/77.8
C21	4030011600	S.CER C1608 JB 1E 104K-T	T	70.6/59
C22	4030018970	S.CER C3225 JB 1C 226MT-N	T	72.9/58.2
C23	4030018970	S.CER C3225 JB 1C 226MT-N	T	79.6/66.1
C24	4030010020	S.CER C1608 JB 1H 122K-T	T	75.1/74.4
C25	4030008860	S.CER C1608 JB 1H 153K-T	T	77.1/69.7
C27	4030011600	S.CER C1608 JB 1E 104K-T	T	73/70.3
C28	4030007070	S.CER C1608 CH 1H 330J-T	T	79.6/72.2
C29	4030011600	S.CER C1608 JB 1E 104K-T	T	100.2/65
C31	4030011600	S.CER C1608 JB 1E 104K-T	T	98.2/57.2
C32	4030011600	S.CER C1608 JB 1E 104K-T	T	98.2/55.9
C33	4030018970	S.CER C3225 JB 1C 226MT-N	T	91.3/56.7
C34	4030018970	S.CER C3225 JB 1C 226MT-N	T	86.6/56.7
C35	4030018970	S.CER C3225 JB 1C 226MT-N	T	86.6/59.7
C36	4030010240	S.CER C1608 JB 1H 391K-T	T	94.5/72.7
C37	4030008850	S.CER C1608 JB 1H 123K-T	T	91.1/68.4
C38	4030011600	S.CER C1608 JB 1E 104K-T	T	93.8/68.6
C39	4030068860	S.CER C1608 JB 1H 472K-T	T	95.1/68.8
C41	4030011600	S.CER C1608 JB 1E 104K-T	T	29.2/13.8
C42	4030018970	S.CER C3225 JB 1C 226MT-N	T	32.2/15
C43	4030018970	S.CER C3225 JB 1C 226MT-N	T	32.2/23
C44	4030010240	S.CER C1608 JB 1H 391K-T	T	27/26.9
C45	4030010770	S.CER C1608 JB 1H 392K-T	T	30.2/28.9
C47	4030018520	S.CER C1608 JB 0J 225M-T	T	27.6/28.9
C48	4030007070	S.CER C1608 CH 1H 330J-T	T	32.8/31.6
C49	4030011600	S.CER C1608 JB 1E 104K-T	T	52/21.5
C51	4030011600	S.CER C1608 JB 1E 104K-T	T	43.6/14
C52	4030018970	S.CER C3225 JB 1C 226MT-N	T	37.8/13.8
C53	4030018970	S.CER C3225 JB 1C 226MT-N	T	38.3/20.6
C54	4030010240	S.CER C1608 JB 1H 391K-T	T	46.8/29.4
C55	4030010770	S.CER C1608 JB 1H 392K-T	T	44.2/25.3
C56	4030011600	S.CER C1608 JB 1E 104K-T	T	47.8/24.7
C57	4030018520	S.CER C1608 JB 0J 225M-T	T	47.8/23.4
C58	4030019090	S.CER C2012 JB 1C 225M-T	T	42.6/30.7
C59	4030017490	S.CER C1608 JB 1A 105K-T	T	44.1/29.7
C95	4030019090	S.CER C2012 JB 1C 225M-T	T	90.3/73.8
C96	4030017490	S.CER C1608 JB 1A 105K-T	T	91.8/72.8
C97	4030011600	S.CER C1608 JB 1E 104K-T	T	85.2/65.5
C101	4030011600	S.CER C1608 JB 1E 104K-T	T	156/63.7
C102	4030011600	S.CER C1608 JB 1E 104K-T	T	153.7/64.8
C103	4030011600	S.CER C1608 JB 1E 104K-T	T	152.4/62
C104	4030011600	S.CER C1608 JB 1E 104K-T	T	156.4/55.3
C105	4030011600	S.CER C1608 JB 1E 104K-T	T	156.4/54
C106	4030011600	S.CER C1608 JB 1E 104K-T	T	152.4/56.1
C111	4030011600	S.CER C1608 JB 1E 104K-T	T	163.6/49.3
C112	4030011600	S.CER C1608 JB 1E 104K-T	T	

[DC-DC UNIT]

REF NO.	ORDER NO.	DESCRIPTION	M.	H/V LOCATION
C127	4030018960	S.CER C3216 JB 1C 106MT-N	T	146.4/33.7
C129	4030011600	S.CER C1608 JB 1E 104K-T	T	164.4/34.2
C130	4030018970	S.CER C3225 JB 1C 226MT-N	T	162.3/33.8
C131	4030011600	S.CER C1608 JB 1E 104K-T	T	8.8/15.2
C132	4030011600	S.CER C1608 JB 1E 104K-T	T	14.5/25.2
C133	4030011600	S.CER C1608 JB 1E 104K-T	T	14.5/27.7
C134	4030011600	S.CER C1608 JB 1E 104K-T	T	14.5/30.2
C141	4030011600	S.CER C1608 JB 1E 104K-T	T	9.1/53.8
C142	4030011600	S.CER C1608 JB 1E 104K-T	T	14.2/58.8
C143	4030011600	S.CER C1608 JB 1E 104K-T	T	16/61.3
C144	4030011600	S.CER C1608 JB 1E 104K-T	T	13.2/61.3
C145	4030011600	S.CER C1608 JB 1E 104K-T	T	13.2/63.8
C146	4030011600	S.CER C1608 JB 1E 104K-T	T	9/71.3
C151	4030011600	S.CER C1608 JB 1E 104K-T	T	165.9/57.8
RL101	6330001060	RLY APQ 3311 (APQ3311K1)		
RL102	6330001060	RLY APQ 3311 (APQ3311K1)		
J1	6510003461	CNR B10B-EH-S (LF) (SN)		
J2	6510003441	CNR B08B-EH-S (LF) (SN)		
J4	6510003441	CNR B08B-EH-S (LF) (SN)		
J7	6510014961	S.CNR B2B-ZR-SM4-TF (LF) (SN)	T	167.1/45.1
F141	5210001040	S.FUS ICP-S1.2TN	T	12.2/11.9
F142	5210001040	S.FUS ICP-S1.2TN	T	15.2/11.9
F143	5210001050	S.FUS ICP-S0.5TN	T	24.7/48.1
F144	5210001050	S.FUS ICP-S0.5TN	T	29.5/46.8
F145	5210001040	S.FUS ICP-S1.2TN	T	14.9/52.9
F146	5210001040	S.FUS ICP-S1.2TN	T	12.6/50.6
W1	8900015610	CBL OPC-1591		
EP1	6910014730	S.BEA MPZ2012S331A-T	T	27.6/58.3
EP11	6910014730	S.BEA MPZ2012S331A-T	T	42.1/56.8
EP21	6910014730	S.BEA MPZ2012S331A-T	T	69/58.8
EP31	6910014730	S.BEA MPZ2012S331A-T	T	94.6/56.9
EP41	6910014730	S.BEA MPZ2012S331A-T	T	27.6/15.2
EP51	6910014730	S.BEA MPZ2012S331A-T	T	42.1/13.7
EP131	6910014730	S.BEA MPZ2012S331A-T	T	8.9/30.2
EP132	6910014730	S.BEA MPZ2012S331A-T	T	8.9/27.7
EP133	6910014730	S.BEA MPZ2012S331A-T	T	8.9/25.2
EP134	6910014730	S.BEA MPZ2012S331A-T	T	8.9/22.7
EP135	6910014730	S.BEA MPZ2012S331A-T	T	8.9/20.2
EP136	6910014730	S.BEA MPZ2012S331A-T	T	8.9/17.7
EP141	6910014730	S.BEA MPZ2012S331A-T	T	8.9/68.8
EP142	6910014730	S.BEA MPZ2012S331A-T	T	8.9/66.3
EP143	6910014730	S.BEA MPZ2012S331A-T	T	8.9/63.8
EP144	6910014730	S.BEA MPZ2012S331A-T	T	8.9/61.3
EP145	6910014730	S.BEA MPZ2012S331A-T	T	8.9/58.8
EP146	6910014730	S.BEA MPZ2012S331A-T	T	8.9/56.3

[CONNECT-A UNIT]

REF NO.	ORDER NO.	DESCRIPTION	M.	H/V LOCATION
IC1	1120003040	S.IC ADM3202ARNZ	T	172.3/26.1
IC2	1130005721	S.IC TC7W04F (TE12L,F)	T	155.8/28.2
IC3	1130005252	S.IC TC74HC08AF (EL,F)	T	155.8/16.4
Q1	1510000510	S.TR 2SA1576A T106R	T	150.2/26.4
Q2	1530002280	S.TR 2SC4081 T106 S	T	144.1/20.8
D1	1750000550	S.DIO 1SS355 TE-17	T	144.3/24.2
L301	6200003191	S.COL NLV32T-470J	T	87/34.4
L401	6200003241	S.COL NLV32T-221J	T	90.3/14.5
R1	7030003860	S.RES ERJ3GE JPW V	T	176.3/35
R2	7030003860	S.RES ERJ3GE JPW V	T	172/35
R3	7030003860	S.RES ERJ3GE JPW V	T	172/33.6
R4	7030003860	S.RES ERJ3GE JPW V	T	191.3/36
R6	7030003640	S.RES ERJ3GEYJ 473 V (47 k)	T	155.7/31.7
R7	7030003640	S.RES ERJ3GEYJ 473 V (47 k)	T	148.7/20.2
R8	7030003560	S.RES ERJ3GEYJ 103 V (10 k)	T	150.1/24.2
R9	7030003590	S.RES ERJ3GEYJ 183 V (18 k)	T	147.3/24.2
R10	7030003590	S.RES ERJ3GEYJ 183 V (18 k)	T	148.7/20.2
R11	7030003640	S.RES ERJ3GEYJ 473 V (47 k)	T	148.2/14.1
R12	7030003640	S.RES ERJ3GEYJ 473 V (47 k)	T	148.2/12.9
R201	7030003350	S.RES ERJ3GEYJ 181 V (180)	T	110.5/34
R202	7030003350	S.RES ERJ3GEYJ 181 V (180)	T	99.4/34
R301	7030003320	S.RES ERJ3GEYJ 101 V (100)	T	90.3/39
R401	7030003360	S.RES ERJ3GEYJ 221 V (220)	T	122.8/8
R402	7030003360	S.RES ERJ3GEYJ 221 V (220)	T	122.8/6.5
R403	7030003360	S.RES ERJ3GEYJ 221 V (220)	T	122.8/9.5
R404	7030003360	S.RES ERJ3GEYJ 221 V (220)	T	122.8/11
R601	7030003860	S.RES ERJ3GE JPW V	T	70.2/36.5
R602	7030003860	S.RES ERJ3GE JPW V	T	68.1/36.5
C1	4030017490	S.CER C1608 JB 1A 105K-T	T	175.6/31
C2	4030017490	S.CER C1608 JB 1A 105K-T	T	172.3/31
C3	4030017490	S.CER C1608 JB 1A 105K-T	T	168.9/31
C4	4030017490	S.CER C1608 JB 1A 105K-T	T	178.7/26.1
C6	4030017490	S.CER C1608 JB 1A 105K-T	T	176.2/21.4
C7	4030011600	S.CER C1608 JB 1E 104K-T	T	155.8/24.6
C8	4030011600	S.CER C1608 JB 1E 104K-T	T	156/10
C301	4030011600	S.CER C1608 JB 1E 104K-T	T	87.7/37.9
C401	4030011600	S.CER C1608 JB 1E 104K-T	T	93.8/14.5
J1	6510023671	CNR TCS4480-0141577		
J2	6510023720	CNR LGY6501-0600C		
J3	6510023120	CNR CD6109SA1J0 <CVI>		
J4	6510018961	S.CNR B2B-PH-SM4-TB (LF) (SN)	T	216.8/18.2
J101	6450001941	CNR KEY-15S-2A3A (LF) (SN)		
J201	6510024040	CNR TM11R-5M2-88-LP		
J202	6510020251	S.CNR B9B-PH-SM4-TB (LF) (SN)	T	104.2/26
J301	6510025640	CNR JFJ3004-010010		
J401	6510021721	S.CNR 30FLT-SM2-TB (LF) (SN)	T	100.3/10.1
J501	6510025670	S.CNR 31-5620-050-719-871+ except [FRA], [AUS], [CHN]	T	34.5/14.6
	6510026930	S.CNR 31-5620-050-729-871+ [FRA], [AUS], [CHN]	T	34.5/14.6
J502	6510024151	S.CNR 50FY-BMT-TB (LF) (SN)	T	34.5/4.3
J602	6510024031	CNR UBA-4R-D10T-1 (LF) (SN) except [FRA], [AUS], [CHN]	T	
	6510024032	CNR UBA-4R-D10T-4D (LF) (SN) [FRA], [AUS], [CHN]	T	
J603	6510024521	S.CNR 12FLT-SM2-TB (LF) (SN)	T	54.3/6
DS201	5040002930	S.LED SML-512MW T86	T	110.5/36.2
DS202	5040002930	S.LED SML-512MW T86	T	99.4/36.2
EP1	6910012350	S.BEA MMZ1608Y 102BT	T	194.8/33.5
EP2	6910012350	S.BEA MMZ1608Y 102BT	T	192/33.5
EP607	6910012350	S.BEA MMZ1608Y 102BT except [FRA], [AUS], [CHN]	T	72.6/36.5
	6910014730	S.BEA MPZ2012S331A-T [FRA], [AUS], [CHN]	T	72.6/36.5
EP611	6910012350	S.BEA MMZ1608Y 102BT except [FRA], [AUS], [CHN]	T	65.6/36.5
	6910014730	S.BEA MPZ2012S331A-T [FRA], [AUS], [CHN]	T	65.6/36.5

M.=Mounted side (T: Mounted on the Top side B: Mounted on the Bottom side)
S.=Surface mount

[CONNECT-B UNIT]

REF NO.	ORDER NO.	DESCRIPTION	M.	H/V LOCATION
IC11	1110003091	IC LA4425A-E		
IC21	1110006300	S.IC NJM2172V-TE1-#ZZZB	T	182.1/6.3
IC41	1110005610	S.IC NJM2058V-TE1-#ZZZB	T	145.4/9.1
IC81	1110002810	S.IC NJM2070M-TE1-#ZZZB	T	115.9/8.3
IC91	1120002830	S.IC NJM2125F-TE1-#FZZB	T	123.4/14.4
IC121	1110005731	S.IC S-80928CNMC-G8Y-G	T	67.3/15.3
Q1	1590003520	S.TR BCR108T		
		except [FRA], [AUS], [CHN]	B	204.4/19.6
	1590003940	S.TR RN1105 (TE85L,F)		
		[FRA], [AUS], [CHN]	B	204.4/19.6
Q11	1540000471	S.TR 2SD1801S-TL-E	B	209.1/15.6
Q21	1560001330	S.FET RSR025N03	B	194.6/19.2
Q22	1560001330	S.FET RSR025N03	B	151.5/8.5
Q91	1550000010	S.FET 2S3J64-Q (TX)	T	127.6/10.2
Q121	1590003520	S.TR BCR108T		
		except [FRA], [AUS], [CHN]	T	69.9/21.9
	1590003940	S.TR RN1105 (TE85L,F)		
		[FRA], [AUS], [CHN]	T	69.9/21.9
Q151	1590003520	S.TR BCR108T		
		except [FRA], [AUS], [CHN]	T	110.6/32.6
	1590003940	S.TR RN1105 (TE85L,F)		
		[FRA], [AUS], [CHN]	T	110.6/32.6
Q161	1590001870	S.TR DTA114EE TL [FRA], [AUS], [CHN]	T	114.3/34.9
	1590003570	S.TR BCR183T		
		except [FRA], [AUS], [CHN]	T	114.3/34.9
Q162	1590003520	S.TR BCR108T		
		except [FRA], [AUS], [CHN]	B	104.1/32
	1590003940	S.TR RN1105 (TE85L,F)		
		[FRA], [AUS], [CHN]	B	104.1/32
Q171	1530002060	S.TR 2SC4081 T106 R	B	116.6/22.4
Q181	1130009930	TR 2SB1274R		
Q182	1510000771	S.TR 2SA1586-GR (TE85L,F)	T	150.1/33.4
Q401	1590003520	S.TR BCR108T		
		except [FRA], [AUS], [CHN]	T	100.2/31.5
	1590003940	S.TR RN1105 (TE85L,F)		
		[FRA], [AUS], [CHN]	T	100.2/31.5
Q501	1530002060	S.TR 2SC4081 T106 R	T	68.2/30.4
D1	1750000550	S.DIO 1SS355 TE-17	B	205.1/24.8
D91	1750000550	S.DIO 1SS355 TE-17	T	126.8/15
D111	1750000550	S.DIO 1SS355 TE-17	B	165.4/30.3
D112	1790000950	S.ZEN MAZ8056GM (TX)	B	162.3/31
D121	1750000550	S.DIO 1SS355 TE-17	T	73/20.2
D161	1160000070	S.DIO DAN202K T146	T	110.7/35.6
D171	1750000550	S.DIO 1SS355 TE-17	B	122.7/26.6
D401	1750000550	S.DIO 1SS355 TE-17	B	98.1/31.8
FI103	5210000041	FUS FGB 2A PBF (FGB0 125V) except [CHN]		
L21	6200003261	S.COL NLV32T-101J	T	177.5/14.3
L81	6200003261	S.COL NLV32T-101J	T	120.3/9
L111	6200003261	S.COL NLV32T-101J	T	170.9/29.9
L113	6200003261	S.COL NLV32T-101J	T	167.8/29.9
L114	6200003261	S.COL NLV32T-101J	T	176.3/29.9
L116	6200003261	S.COL NLV32T-101J	T	179.3/29.9
R2	7030003320	S.RES ERJ3GEYJ 101 V (100)	B	209.5/22.3
R11	7030003280	S.RES ERJ3GEYJ 470 V (47)	B	205/8.9
R12	7030003440	S.RES ERJ3GEYJ 102 V (1 k)	B	216/34.6
R13	7030004040	S.RES ERJ3GEYJ 4R7 V (4.7)	B	212.9/29.2
R14	7030003860	S.RES ERJ3GE JPW V	T	214.2/25.8
R15	7030003860	S.RES ERJ3GE JPW V	T	201.2/39.3
R21	7030003440	S.RES ERJ3GEYJ 102 V (1 k)	T	198.4/18.4
R22	7030003560	S.RES ERJ3GEYJ 103 V (10 k)	B	189.8/19
R23	7030003440	S.RES ERJ3GEYJ 102 V (1 k)	T	196/19.2
R24	7030003480	S.RES ERJ3GEYJ 222 V (2.2 k)	B	182.6/10.7
R25	7030003470	S.RES ERJ3GEYJ 182 V (1.8 k)	B	189.1/9.5
R26	7030003470	S.RES ERJ3GEYJ 182 V (1.8 k)	B	187.2/9.5
R27	7030003470	S.RES ERJ3GEYJ 182 V (1.8 k)	B	191.1/9.5
R28	7030003470	S.RES ERJ3GEYJ 182 V (1.8 k)	B	193.1/9.5
R29	7030003480	S.RES ERJ3GEYJ 222 V (2.2 k)	B	182.7/4.2
R30	7030003560	S.RES ERJ3GEYJ 103 V (10 k)	B	148.8/10.2
R31	7030003560	S.RES ERJ3GEYJ 103 V (10 k)	T	176/5.3
R32	7030003560	S.RES ERJ3GEYJ 103 V (10 k)	T	174.4/5.3
R33	7030003440	S.RES ERJ3GEYJ 102 V (1 k)	T	154.8/4.8
R34	7030003440	S.RES ERJ3GEYJ 102 V (1 k)	T	155.3/2.8
R35	7030003680	S.RES ERJ3GEYJ 104 V (100 k)	B	196.7/17.1
R36	7030003680	S.RES ERJ3GEYJ 104 V (100 k)	B	149.1/5.9
R41	7030003320	S.RES ERJ3GEYJ 101 V (100)	T	134.5/5.6
R42	7030003320	S.RES ERJ3GEYJ 101 V (100)	B	139.5/15.7
R43	7030003520	S.RES ERJ3GEYJ 472 V (4.7 k)	T	159.2/9.3
R44	7030003560	S.RES ERJ3GEYJ 103 V (10 k)	T	143.6/4.7
R45	7030003560	S.RES ERJ3GEYJ 103 V (10 k)	B	139.6/7.5
R46	7030003460	S.RES ERJ3GEYJ 152 V (1.5 k)	T	143.6/2.3
R47	7030003560	S.RES ERJ3GEYJ 103 V (10 k)	T	127.8/8.2
R51	7030003550	S.RES ERJ3GEYJ 822 V (8.2 k)	T	159.2/8
R52	7030003540	S.RES ERJ3GEYJ 682 V (6.8 k)	T	147.7/4.7
R53	7030003440	S.RES ERJ3GEYJ 102 V (1 k)	T	146.3/3.5
R54	7030003620	S.RES ERJ3GEYJ 333 V (33 k)	T	149/2.3
R55	7030003640	S.RES ERJ3GEYJ 473 V (47 k)	T	146.3/2.3
R61	7030003560	S.RES ERJ3GEYJ 103 V (10 k)	T	159.2/11.9
R62	7030003560	S.RES ERJ3GEYJ 103 V (10 k)	B	142.9/15.7
R63	7030003590	S.RES ERJ3GEYJ 183 V (18 k)	T	147.4/13.6
R64	7030003440	S.RES ERJ3GEYJ 102 V (1 k)	B	142.9/10.3
R65	7030003440	S.RES ERJ3GEYJ 102 V (1 k)	B	142.9/12.1
R71	7030003560	S.RES ERJ3GEYJ 103 V (10 k)	T	159.2/10.6
R72	7030003560	S.RES ERJ3GEYJ 103 V (10 k)	B	142.9/13.9

[CONNECT-B UNIT]

REF NO.	ORDER NO.	DESCRIPTION	M.	H/V LOCATION
R73	7030003590	S.RES ERJ3GEYJ 183 V (18 k)	T	143.3/13.6
R74	7030003440	S.RES ERJ3GEYJ 102 V (1 k)	T	149.3/13.4
R81	7030004050	S.RES ERJ3GEYJ 1R0 V (1 k)	T	82.9/24.9
R82	7030003860	S.RES ERJ3GE JPW V	T	112.3/4.2
R83	7030003560	S.RES ERJ3GEYJ 103 V (10 k)	T	112.3/7.4
R84	7030003520	S.RES ERJ3GEYJ 472 V (4.7 k)	B	113.8/9.1
R85	7030003330	S.RES ERJ3GEYJ 121 V (120)	B	111.6/11
R86	7030003440	S.RES ERJ3GEYJ 102 V (1 k)	T	80.3/23.7
R91	7030003440	S.RES ERJ3GEYJ 102 V (1 k)	T	127.9/12.1
R93	7030003380	S.RES ERJ3GEYJ 222 V (2.2 k)	B	126.2/11.7
R94	7030003600	S.RES ERJ3GEYJ 223 V (22 k)	T	125.6/10.9
R95	7030003320	S.RES ERJ3GEYJ 101 V (100)	B	123.4/18.9
R96	7030003640	S.RES ERJ3GEYJ 473 V (47 k)	T	121.5/16.8
R97	7030003460	S.RES ERJ3GEYJ 152 V (1.5 k)	T	123.3/12.1
R98	7030003560	S.RES ERJ3GEYJ 103 V (10 k)	T	120.9/14.2
R99	7030003700	S.RES ERJ3GEYJ 154 V (150 k)	T	126.6/13.5
R111	7030003440	S.RES ERJ3GEYJ 102 V (1 k)	B	158.6/30
R121	7030003560	S.RES ERJ3GEYJ 103 V (10 k)	T	67.1/21.8
R122	7030003600	S.RES ERJ3GEYJ 223 V (22 k)	T	68.1/18.8
R123	7030003560	S.RES ERJ3GEYJ 103 V (10 k)	T	66.6/20
R124	7030003340	S.RES ERJ3GEYJ 151 V (150)	T	70.3/18.8
R151	7030003560	S.RES ERJ3GEYJ 103 V (10 k)	T	113.5/32.6
R171	7030003620	S.RES ERJ3GEYJ 333 V (33 k)	B	119.6/24.8
R172	7030003580	S.RES ERJ3GEYJ 153 V (15 k)	B	119.6/23
R173	7030003510	S.RES ERJ3GEYJ 392 V (3.9 k)	B	119.6/26.6
R174	7030003520	S.RES ERJ3GEYJ 472 V (4.7 k)	B	114.8/24.8
R181	7030007160	S.RES ERJ12YJ3R3U (3.3)	B	145.2/38.7
R182	7030003560	S.RES ERJ3GEYJ 103 V (10 k)	T	147.6/32.6
R183	7030003500	S.RES ERJ3GEYJ 332 V (3.3 k)	T	145.8/32.6
R184	7030003340	S.RES ERJ3GEYJ 151 V (150)	B	147.8/38.7
R185	7030003560	S.RES ERJ3GEYJ 103 V (10 k)	B	153.1/34
R186	7030003520	S.RES ERJ3GEYJ 472 V (4.7 k)	B	153/41.7
R401	7030003320	S.RES ERJ3GEYJ 101 V (100)	B	98.8/35.2
R501	7030003520	S.RES ERJ3GEYJ 472 V (4.7 k)	T	68.1/35.2
R502	7030003320	S.RES ERJ3GEYJ 101 V (100)	T	68.2/27
R503	7030003360	S.RES ERJ3GEYJ 221 V (220)	T	68.2/33.8
R504	7030003640	S.RES ERJ3GEYJ 473 V (47 k)	T	68.2/28.4
R505	7030003440	S.RES ERJ3GEYJ 102 V (1 k)	B	84.8/3.2
C1	4030006880	S.CER C1608 JB 1H 472K-T	B	205.2/21.4
C2	4030006880	S.CER C1608 JB 1H 472K-T	B	205.2/23
C11	4510008300	ELE EEUFC1C471L		
C12	4030011600	S.CER C1608 JB 1E 104K-T	B	213.7/19.2
C13	4510008220	ELE 16 ME 2200 CA		
C14	4030011600	S.CER C1608 JB 1E 104K-T	B	215.5/29.2
C15	4030006870	S.CER C1608 JB 1H 222K-T	T	216.4/26.5
C16	4510008550	S.ELE EEE1H0SR	T	205.5/19.2
C17	4510008510	S.ELE EEE1CA471P	T	192.7/9.1
C18	4510008500	S.ELE EEE1CA101WP	T	202.1/12.7
C21	4030008980	S.CER C2012 JB 1C 154K-T	B	197.3/19.5
C22	4030006900	S.CER C1608 JB 1H 103K-T	T	199.7/18.4
C23	4030011600	S.CER C1608 JB 1E 104K-T	B	191.8/19
C24	4030017490	S.CER C1608 JB 1A 105K-T	B	182.6/8.5
C25	4510008530	S.ELE EEE1HA2R2SR	T	191.1/19
C26	4510008540	S.ELE EEE1CA100SR	T	182.2/11.5
C27	4030017490	S.CER C1608 JB 1A 105K-T	B	182.6/6.2
C28	4510008540	S.ELE EEE1CA100SR	T	171/9.8
C29	4510008530	S.ELE EEE1HA2R2SR	T	159.3/4.8
C30	4510008540	S.ELE EEE1CA100SR	T	175.9/9.8
C31	4510008540	S.ELE EEE1CA100SR	T	165.4/4.8
C32	4510008540	S.ELE EEE1CA100SR	T	165.4/9.8
C33	4030011600	S.CER C1608 JB 1E 104K-T	B	151.4/11.6
C34	4030006900	S.CER C1608 JB 1H 103K-T	T	154.1/2.8
C35	4030008980	S.CER C2012 JB 1C 154K-T	B	152.1/5.8
C41	4510008540	S.ELE EEE1CA100SR	T	138.9/9
C42	4510008540	S.ELE EEE1CA100SR	T	138.8/13.8
C43	4030006860	S.CER C1608 JB 1H 102K-T	T	143.6/3.5
C44	4510009120	S.ELE EEE1VA2R2NR	T	138.9/4.2
C51	4030006870	S.CER C1608 JB 1H 222K-T	T	149/3.5
C61	4030007170	S.CER C1608 CH 1H 221J-T	T	147.4/14.9
C62	4510008540	S.ELE EEE1CA100SR	T	132.5/13.5
C63	4510008540	S.ELE EEE1CA100SR	T	132.5/8.7
C71	4030007170	S.CER C1608 CH 1H 221J-T	T	143.4/14.8
C72	4510008540	S.ELE EEE1CA100SR	T	152.9/13.8
C81	4510008500	S.ELE EEE1CA101WP	T	114.7/15.6
C82	4510008550	S.ELE EEE1H0SR	T	125.8/5.2
C83	4030011600	S.CER C1608 JB 1E 104K-T	T	115.8/3.5
C84	4510008510	S.ELE EEE1CA471P	T	105.8/8.9
C85	4030011810	S.CER C1608 JB 1A 224K-T	T	80.3/24.9
C86	4510009010			

[CONNECT-B UNIT]

REF NO.	ORDER NO.	DESCRIPTION	M.	H/V LOCATION
C501	4030006860	S.CER C1608 JB 1H 102K-T	T	68.2/36.5
C502	4030011600	S.CER C1608 JB 1E 104K-T	T	68.2/32.4
C503	4510008540	S.ELE EEE1CA100SR	T	72.4/33.3
C504	4510008540	S.ELE EEE1CA100SR	T	72.8/27.9
C505	4510008500	S.ELE EEE1CA101WP	T	62.2/32.4
C901	4030006860	S.CER C1608 JB 1H 102K-T	B	87.2/13.4
C902	4030006860	S.CER C1608 JB 1H 102K-T	B	85.2/13.4
C903	4030006860	S.CER C1608 JB 1H 102K-T	B	86.7/3.9
C904	4030006860	S.CER C1608 JB 1H 102K-T	B	81.2/13.4
C905	4030006860	S.CER C1608 JB 1H 102K-T	B	79.2/13.4
C906	4030006860	S.CER C1608 JB 1H 102K-T	B	77.2/13.4
C907	4030006860	S.CER C1608 JB 1H 102K-T	B	75.2/13.4
RL1	6330001790	RLY ATX203		
RL121	6330001721	RLY ATN207-K1		
RL401	6330001790	RLY ATX203		
J1	6510023720	CNR LGY6501-0600C		
J101	6510024940	CNR HEC2305-016250		
J111	6510023671	CNR TCS4480-0141577		
J181	6510023720	CNR LGY6501-0600C		
J201	6510023750	CNR 01K1971-10		
J202	6510007020	CNR TMP-J01X-V6		
J301	6450001130	CNR JPJ2042-01-110		
J401	6510023720	CNR LGY6501-0600C		
J501	6510023720	CNR LGY6501-0600C		
J601	6450001130	CNR JPJ2042-01-110		
J602	6510018961	S.CNR B2B-PH-SM4-TB (LF) (SN)	T	46.8/15.6
J603	6510022191	S.CNR B3B-PH-SM4-TB (LF) (SN)	T	59/15.6
J701	6450001800	CNR JPJ1044-01-010		
J702	6510007020	CNR TMP-J01X-V6		
J801	6510023750	CNR 01K1971-10		
J802	6510007020	CNR TMP-J01X-V6		
J901	6510021721	S.CNR 30FLT-SM2-TB (LF) (SN)	T	109.7/24.9
J902	6510022801	S.CNR B10B-PH-SM4-TB (LF) (SN)	T	78.2/6
F101	5220000230	HOL S-N5054		
F102	5220000230	HOL S-N5054		
F103	5210000031	FUS FGB 1A PBF (FGB0 125V)		
EP11	6910014730	S.BEA MPZ2012S331A-T	T	204.2/41.5
EP12	6910014730	S.BEA MPZ2012S331A-T	T	216.2/41.6
EP101	6910014730	S.BEA MPZ2012S331A-T	B	186.5/43.3
EP102	6910014730	S.BEA MPZ2012S331A-T	T	194.7/33.9
EP112	6910014730	S.BEA MPZ2012S331A-T	T	185.5/29.7
EP115	6910014730	S.BEA MPZ2012S331A-T	T	182.4/29.8
EP116	6910014730	S.BEA MPZ2012S331A-T	B	175.3/42.1
EP181	6910015970	S.BEA MMZ1608B 301CT-AS	B	153.5/43.7
EP182	6910015970	S.BEA MMZ1608B 301CT-AS	B	153.4/45.2
EP301	6910014730	S.BEA MPZ2012S331A-T	T	116/37.8
EP302	6910014730	S.BEA MPZ2012S331A-T	T	105.8/37.8
EP303	6910014730	S.BEA MPZ2012S331A-T	B	113.3/47.9
EP304	6910014730	S.BEA MPZ2012S331A-T	B	98.4/47.9
EP401	6910014730	S.BEA MPZ2012S331A-T	B	84/40.7
EP402	6910014730	S.BEA MPZ2012S331A-T	B	92.1/39.9
EP501	6910015970	S.BEA MMZ1608B 301CT-AS	T	66.2/38
EP502	6910015970	S.BEA MMZ1608B 301CT-AS	B	78.1/44.6
EP601	6910014730	S.BEA MPZ2012S331A-T	B	38.9/47.8
EP901	6910014730	S.BEA MPZ2012S331A-T	T	75.2/13
EP902	6910014730	S.BEA MPZ2012S331A-T	T	77.2/13
EP903	6910014730	S.BEA MPZ2012S331A-T	T	79.2/13
EP904	6910014730	S.BEA MPZ2012S331A-T	T	81.2/13
EP905	6910014730	S.BEA MPZ2012S331A-T	T	85.2/13
EP906	6910014730	S.BEA MPZ2012S331A-T	T	87.2/13

[REG UNIT]

REF NO.	ORDER NO.	DESCRIPTION	M.	H/V LOCATION
F1	5210000131	FUS FGB 4A PBF (FGB0 125V) [USA], [USA-01]		
	5210001030	FUS 0234002.MXP except [USA], [USA-01]		
F2	5220000380	HOL F-400-01A1 [USA], [USA-01]		
	5220000390	HOL F-400-01A2 except [USA], [USA-01]		
MF1	2710000810	FAN FD124010HB-1N7 (120) <USE>		
W1	8900015620	CBL OPC-1592		
W2	8900015680	CBL OPC-1598 [USA], [USA-01], [EXP]		
	8900015681	CBL OPC-1598A [EUR], [UK], [FRA], [AUS]		
W3	8900015690	CBL OPC-1600		
W4	8900015700	CBL OPC-1602		
EP1	6910016800	UBD PBA150F-15		

[MEMORY BOARD]

REF NO.	ORDER NO.	DESCRIPTION	M.	H/V LOCATION
IC1	1130013480	S.IC JS28F128J3D-75	T	39.8/26.2
IC2	1130013480	S.IC JS28F128J3D-75	T	24/26.2
C1	4030011600	S.CER C1608 JB 1E 104K-T	T	41.8/38.8
C2	4030011600	S.CER C1608 JB 1E 104K-T	T	39.9/13.2
C3	4030011600	S.CER C1608 JB 1E 104K-T	T	36.8/13.2
C4	4030011600	S.CER C1608 JB 1E 104K-T	T	26/38.8
C5	4030011600	S.CER C1608 JB 1E 104K-T	T	24/13.2
C6	4030011600	S.CER C1608 JB 1E 104K-T	T	21/13.2
J1	6510024210	S.CNR AXK6S30437YG	T	55/20
J2	AXK6S40437YG	S.CNR AXK6S40435P	T	10/20

[VCO2 BOARD]

REF NO.	ORDER NO.	DESCRIPTION	M.	H/V LOCATION
Q4100	1530003550	S.TR 2SC5193-T1	T	15.7/5
Q4101	1530003550	S.TR 2SC5193-T1	T	18.7/6.2
Q4102	1590003940	S.TR RN1105 (TE85L,F)	T	3.8/3.6
Q4104	1590003570	S.TR BCR183T	T	9/3.6
Q4105	1590003940	S.TR RN1105 (TE85L,F)	T	6.4/3.6
Q4200	1530003550	S.TR 2SC5193-T1	T	18.3/14
Q4201	1560000491	S.FET 2SK508-T2B-A K52	T	22.7/12.8
Q4202	1590003940	S.TR RN1105 (TE85L,F)	T	3.8/8.1
Q4204	1590003570	S.TR BCR183T	T	9/8.1
Q4205	1590003940	S.TR RN1105 (TE85L,F)	T	6.4/8.2
Q4300	1530003550	S.TR 2SC5193-T1	T	19/23
Q4301	1560000491	S.FET 2SK508-T2B-A K52	T	23.4/21.1
Q4302	1590003940	S.TR RN1105 (TE85L,F)	T	3.8/12.7
Q4304	1590003570	S.TR BCR183T	T	9/12.7
Q4305	1590003940	S.TR RN1105 (TE85L,F)	T	6.4/12.8
Q4400	1530003431	S.TR 2SC5226A 4-ETL-E	T	10.6/21.5
D4100	1720000261	S.VCP 1SV214 (TPH2,F)	T	24.2/7.3
D4101	1720000801	S.VCP 1SV290 (TPH3,F)	T	25.9/7.4
D4103	1750000581	S.DIO 1SV307 (TPH3,F)	T	14.2/17.2
D4200	1750000721	S.VCP HVC375BTRF-E	T	25.6/12
D4201	1720000261	S.VCP 1SV214 (TPH2,F)	T	28.3/11.6
D4203	1750000581	S.DIO 1SV307 (TPH3,F)	T	15.9/17.2
D4300	1750000721	S.VCP HVC375BTRF-E	T	26.5/19.8
D4301	1720000261	S.VCP 1SV214 (TPH2,F)	T	29.5/19.4
D4304	1750000581	S.DIO 1SV307 (TPH3,F)	T	15.7/20.5
L4100	6200010780	S.COL C2520C-1R0G-A	B	26.6/5.4
L4101	6200010780	S.COL C2520C-1R0G-A	T	28.7/4.1
L4102	6200005711	S.COL ELJRE 27NGFA	T	22.2/6.1
L4104	6200010780	S.COL C2520C-1R0G-A	B	21.2/5.9
L4105	6200010780	S.COL C2520C-1R0G-A	B	13.5/7.9
L4200	6200010780	S.COL C2520C-1R0G-A	B	28.4/15.1
L4201	6200010780	S.COL C2520C-1R0G-A	T	31.9/13.4
L4202	6200009220	S.COL LQW18AN15NG00D	T	25/15.5
L4203	6200010780	S.COL C2520C-1R0G-A	B	23.5/13.8
L4204	6200010780	S.COL C2520C-1R0G-A	B	19.1/14.6
L4205	6200010780	S.COL C2520C-1R0G-A	T	28.4/16.2
L4300	6200010780	S.COL C2520C-1R0G-A	B	28.9/22.8
L4301	6200010780	S.COL C2520C-1R0G-A	T	32.8/21.1
L4302	6200009220	S.COL LQW18AN15NG00D	T	25.9/23.4
L4303	6200010780	S.COL C2520C-1R0G-A	B	24.2/22.2
L4304	6200010780	S.COL C2520C-1R0G-A	B	19.2/23.1
L4305	6200010780	S.COL C2520C-1R0G-A	T	33.8/25.3
L4306	6200010860	S.COL C2520C-R10G-A (0.1U)	T	29.4/25.3
L4401	6200001981	S.COL NLV25T-1R0J	B	9.2/16.9
R4100	7030003440	S.RES ERJ3GEYJ 102 V (1 k)	B	31.9/5.4
R4101	7030003440	S.RES ERJ3GEYJ 102 V (1 k)	T	30.7/6.4
R4102	7030003490	S.RES ERJ3GEYJ 272 V (2.7 k)	T	18.9/3.1
R4103	7030003490	S.RES ERJ3GEYJ 272 V (2.7 k)	T	21.5/3.1
R4104	7030003490	S.RES ERJ3GEYJ 272 V (2.7 k)	T	15.9/3.1
R4105	7030003360	S.RES ERJ3GEYJ 221 V (220)	B	18.6/4.3
R4106	7030003200	S.RES ERJ3GEYJ 100 V (10)	B	10.5/6
R4108	7030003440	S.RES ERJ3GEYJ 102 V (1 k)	T	13.2/7
R4109	7030003860	S.RES ERJ3GE JPW V	B	30/4.6
R4110	7030003860	S.RES ERJ3GE JPW V	T	14.2/10.3
R4111	7030003440	S.RES ERJ3GEYJ 102 V (1 k)	T	2.6/18
R4200	7030003440	S.RES ERJ3GEYJ 102 V (1 k)	B	33.4/13.6
R4201	7030003440	S.RES ERJ3GEYJ 102 V (1 k)	T	35.6/13.4
R4202	7030003510	S.RES ERJ3GEYJ 392 V (3.9 k)	T	20.2/14.1
R4203	7030003460	S.RES ERJ3GEYJ 152 V (1.5 k)	T	18.9/17.1
R4204	7030003320	S.RES ERJ3GEYJ 101 V (100)	T	17/11.8
R4205	7030003380	S.RES ERJ3GEYJ 331 V (330)	B	25.3/11
R4206	7030003400	S.RES ERJ3GEYJ 471 V (470)	B	13.2/14.6
R4208	7030003440	S.RES ERJ3GEYJ 102 V (1 k)	B	15.2/14.4
R4209	7030003440	S.RES ERJ3GEYJ 102 V (1 k)	B	31.4/15.2
R4210	7030003860	S.RES ERJ3GE JPW V	B	16.6/12.1
R4211	7030003440	S.RES ERJ3GEYJ 102 V (1 k)	T	2.6/16.5
R4212	7030003860	S.RES ERJ3GE JPW V	T	31.1/17.1
R4300	7030003440	S.RES ERJ3GEYJ 102 V (1 k)	B	33.8/21.4
R4301	7030003440	S.RES ERJ3GEYJ 102 V (1 k)	T	35.6/23
R4302	7030003510	S.RES ERJ3GEYJ 392 V (3.9 k)	T	20.9/22.8
R4303	7030003460	S.RES ERJ3GEYJ 152 V (1.5 k)	T	19.6/25.7
R4304	7030003320	S.RES ERJ3GEYJ 101 V (100)	T	17.3/20.5
R4305	7030003380	S.RES ERJ3GEYJ 331 V (330)	B	24.9/18.8
R4306	7030003400	S.RES ERJ3GEYJ 471 V (470)	B	11.8/24.6
R4308	7030003440	S.RES ERJ3GEYJ 102 V (1 k)	B	14.2/22.1
R4309	7030003440	S.RES ERJ3GEYJ 102 V (1 k)	B	30/20.5

M.=Mounted side (T: Mounted on the Top side B: Mounted on the Bottom side) S.=Surface mount

[VCO2 BOARD]

REF NO.	ORDER NO.	DESCRIPTION	M.	H/V LOCATION
R4310	7030003320	S.RES ERJ3GEYJ 101 V (100)	B	16.4/20.4
R4311	7030003440	S.RES ERJ3GEYJ 102 V (1 k)	T	2.6/15
R4400	7030003510	S.RES ERJ3GEYJ 392 V (3.9 k)	T	12.7/22.6
R4401	7030003480	S.RES ERJ3GEYJ 222 V (2.2 k)	T	11.3/19.4
R4402	7030003360	S.RES ERJ3GEYJ 221 V (220)	T	11/24.7
R4406	7030003440	S.RES ERJ3GEYJ 102 V (1 k)	T	14.2/22.6
R4407	7030003320	S.RES ERJ3GEYJ 101 V (100)	T	7.9/22.5
R4408	7030003300	S.RES ERJ3GEYJ 680 V (68)	T	7.9/21
R4409	7030003320	S.RES ERJ3GEYJ 101 V (100)	T	2.9/21.7
C4102	4550007480	S.TAN F930J106MAABMA	B	30.2/8
C4104	4030007040	S.CER C1608 CH 1H 180J-T	T	24.2/3.8
C4105	4030006990	S.CER C1608 CH 1H 080D-T	T	25.9/3.8
C4107	4030007010	S.CER C1608 CH 1H 100D-T	T	21.5/4.3
C4108	4030007030	S.CER C1608 CH 1H 150J-T	T	20.7/6.1
C4109	4030009500	S.CER C1608 CH 1H 0R5B-T	T	18.9/4.3
C4110	4030007030	S.CER C1608 CH 1H 150J-T	T	21.2/8
C4111	4030006860	S.CER C1608 JB 1H 102K-T	T	16.6/7.5
C4112	4030009540	S.CER C1608 CH 1H 1R5B-T	T	14.8/7.7
C4113	4030007090	S.CER C1608 CH 1H 470J-T	B	10.9/7.9
C4114	4030011600	S.CER C1608 JB 1E 104K-T	B	8.3/7.9
C4115	4030017810	S.CER C1608 CH 1H 102J-T	B	9.7/7.9
C4116	4030017810	S.CER C1608 CH 1H 102J-T	B	16.7/5.1
C4117	4030017810	S.CER C1608 CH 1H 102J-T	T	1.8/3.5
C4118	4030017810	S.CER C1608 CH 1H 102J-T	T	6.5/1.6
C4119	4030017810	S.CER C1608 CH 1H 102J-T	T	13.2/3.9
C4120	4030007090	S.CER C1608 CH 1H 470J-T	B	18/6.2
C4121	4030011600	S.CER C1608 JB 1E 104K-T	B	14.6/4.3
C4201	4550007480	S.TAN F930J106MAABMA	B	33.2/17.5
C4204	4030006990	S.CER C1608 CH 1H 080D-T	T	25.7/14
C4205	4030011770	S.CER C1608 CH 1H 060B-T	T	28.4/14
C4208	4030009530	S.CER C1608 CH 1H 030B-T	T	22.4/15.2
C4209	4030009500	S.CER C1608 CH 1H 0R5B-T	T	20.9/16.4
C4210	4030009520	S.CER C1608 CH 1H 020B-T	T	23.6/10.5
C4211	4030006860	S.CER C1608 JB 1H 102K-T	T	20.4/11.1
C4212	4030009540	S.CER C1608 CH 1H 1R5B-T	T	15.8/13.3
C4213	4030007090	S.CER C1608 CH 1H 470J-T	B	15.6/17.2
C4214	4030011600	S.CER C1608 JB 1E 104K-T	B	13.2/17.2
C4215	4030017810	S.CER C1608 CH 1H 102J-T	B	22.9/9.5
C4216	4030017810	S.CER C1608 CH 1H 102J-T	B	14.4/17.2
C4217	4030017810	S.CER C1608 CH 1H 102J-T	T	6.5/6.2
C4218	4030017810	S.CER C1608 CH 1H 102J-T	T	1.8/8
C4219	4030017810	S.CER C1608 CH 1H 102J-T	B	14.2/11.9
C4220	4030007090	S.CER C1608 CH 1H 470J-T	B	24.1/9.5
C4221	4030011600	S.CER C1608 JB 1E 104K-T	B	21/10.2
C4222	4030017810	S.CER C1608 CH 1H 102J-T	T	18.3/10.5
C4303	4550007480	S.TAN F930J106MAABMA	B	32.1/22.6
C4304	4030009530	S.CER C1608 CH 1H 030B-T	T	26.8/21.9
C4305	4030009530	S.CER C1608 CH 1H 030B-T	T	29.4/21.9
C4308	4030009540	S.CER C1608 CH 1H 1R5B-T	T	23.1/23.4
C4309	4030009500	S.CER C1608 CH 1H 0R5B-T	T	21.6/24.7
C4310	4030009510	S.CER C1608 CH 1H 010B-T	T	24.6/18.7
C4311	4030006860	S.CER C1608 JB 1H 102K-T	T	21.1/19.4
C4312	4030009530	S.CER C1608 CH 1H 030B-T	T	16.5/23.3
C4313	4030007090	S.CER C1608 CH 1H 470J-T	B	16.3/24.5
C4314	4030011600	S.CER C1608 JB 1E 104K-T	B	13.9/24.5
C4315	4030017810	S.CER C1608 CH 1H 102J-T	B	15.1/24.5
C4316	4030017810	S.CER C1608 CH 1H 102J-T	B	22.5/18.3
C4317	4030017810	S.CER C1608 CH 1H 102J-T	T	1.8/12.6
C4318	4030017810	S.CER C1608 CH 1H 102J-T	T	6.5/10.8
C4319	4030017810	S.CER C1608 CH 1H 102J-T	B	13.5/20.3
C4320	4030007090	S.CER C1608 CH 1H 470J-T	B	23.7/18.3
C4321	4030011600	S.CER C1608 JB 1E 104K-T	B	21.3/18.3
C4322	4030017810	S.CER C1608 CH 1H 102J-T	T	19/20.2
C4400	4030006860	S.CER C1608 JB 1H 102K-T	B	6.4/12.8
C4401	4030017810	S.CER C1608 CH 1H 102J-T	T	8.1/18.7
C4405	4030017810	S.CER C1608 CH 1H 102J-T	T	9.1/23.7
C4407	4030006860	S.CER C1608 JB 1H 102K-T	T	13.5/20.7
C4409	4030007090	S.CER C1608 CH 1H 470J-T	T	9.3/18.7
C4410	4030011600	S.CER C1608 JB 1E 104K-T	T	10.6/16.9
J4101	6910003841	CNR IMSA-9230B-1-05Z003-PT1		
J4102	6910003861	CNR IMSA-9230B-1-07Z003-PT1		

[DOUBLER BOARD]

REF NO.	ORDER NO.	DESCRIPTION	M.	H/V LOCATION
Q2200	1530003781	S.TR 2SC5624VH-TL-E	T	29.8/16.7
Q2201	1530003781	S.TR 2SC5624VH-TL-E	T	32.3/16.6
D3000	1790001621	S.DIO 1SV308 (TPL3,F)	T	26.9/15.2
D3001	1790001621	S.DIO 1SV308 (TPL3,F)	T	25.2/16.4
D3002	1790001621	S.DIO 1SV308 (TPL3,F)	T	7.3/6.7
D3003	1790001621	S.DIO 1SV308 (TPL3,F)	T	8.1/8.4
D3004	1790001621	S.DIO 1SV308 (TPL3,F)	T	25.8/19.4
D3005	1790001621	S.DIO 1SV308 (TPL3,F)	T	8.1/9.8
D3006	1790001621	S.DIO 1SV308 (TPL3,F)	T	25.1/20.8
D3007	1790001621	S.DIO 1SV308 (TPL3,F)	T	7.3/11.7
D3008	1790001621	S.DIO 1SV308 (TPL3,F)	T	26.9/10.6
D3009	1790001621	S.DIO 1SV308 (TPL3,F)	T	9/5.9
D3010	1790001621	S.DIO 1SV308 (TPL3,F)	T	24.4/13.7
D3011	1790001621	S.DIO 1SV308 (TPL3,F)	T	10.1/9.2
D3012	1790001621	S.DIO 1SV308 (TPL3,F)	T	24.1/18.6
D3013	1790001621	S.DIO 1SV308 (TPL3,F)	T	8.9/12.7
D3014	1790001621	S.DIO 1SV308 (TPL3,F)	T	23.3/21.6
D3015	1790001621	S.DIO 1SV308 (TPL3,F)	T	7.3/14.3
L2200	6200010450	S.COL C2520C-R82G-A (0.82U)	T	35.2/15.8
L2201	6140002551	S.COL #617DB-1919=P3	T	30.8/11.9
L2202	6200011460	S.COL C2520C-10NG-A	T	4.9/20.9
L3000	6200006771	S.COL ELJRE 1N5ZFA	T	22.6/23.4
L3001	6200006781	S.COL ELJRE 1N8ZFA	T	19.4/22.5
L3002	6200005631	S.COL ELJRE 5N6ZFA	T	17.1/25.1
L3003	6200006981	S.COL ELJRE R10GFA	B	16.5/20.7
L3004	6200005611	S.COL ELJRE 3N9ZFA	T	9.2/25.9
L3050	6200006781	S.COL ELJRE 1N8ZFA	T	20.7/19.9
L3051	6200005591	S.COL ELJRE 2N7ZFA	T	17.5/18.2
L3052	6200005621	S.COL ELJRE 4N7ZFA	T	15.2/15.6
L3053	6200006981	S.COL ELJRE R10GFA	B	17.8/16.8
L3054	6200005611	S.COL ELJRE 3N9ZFA	T	13.4/14.9
L3100	6200005611	S.COL ELJRE 3N9ZFA	T	23.6/10
L3101	6200005601	S.COL ELJRE 3N3ZFA	T	20.6/12.1
L3102	6200005621	S.COL ELJRE 4N7ZFA	T	15.4/9.2
L3103	6200006981	S.COL ELJRE R10GFA	B	16.6/13.8
L3104	6200005621	S.COL ELJRE 4N7ZFA	T	12.2/9.5
L3150	6200005591	S.COL ELJRE 2N7ZFA	T	23.6/7.2
L3151	6200005621	S.COL ELJRE 4N7ZFA	T	20.5/5.9
L3152	6200005641	S.COL ELJRE 6N8ZFA	T	15/3.2
L3153	6200006981	S.COL ELJRE R10GFA	B	17.2/6.7
L3154	6200005641	S.COL ELJRE 6N8ZFA	T	12.1/3.6
R2202	7030003200	S.RES ERJ3GEYJ 100 V (10)	B	34.2/15
R2203	7030003400	S.RES ERJ3GEYJ 471 V (470)	B	31.5/12.1
R2204	7030003480	S.RES ERJ3GEYJ 222 V (2.2 k)	B	28.9/12.1
R2205	7030003400	S.RES ERJ3GEYJ 471 V (470)	T	29.1/19.3
R2206	7030003340	S.RES ERJ3GEYJ 151 V (150)	T	31/19
R2207	7030003270	S.RES ERJ3GEYJ 390 V (39)	T	32.8/19.7
R2208	7030003340	S.RES ERJ3GEYJ 151 V (150)	T	31/20.2
R2213	7030003860	S.RES ERJ3GE JPW V	T	31.1/21.4
R2216	7030000010	S.RES MCR10EZHZ JPW (000)	B	8.5/24.7
R2217	7030008240	S.RES ERJ12Y0R00U	B	13.3/24.8
R2218	7030008240	S.RES ERJ12Y0R00U	B	27/24.8
R2220	7030000010	S.RES MCR10EZHZ JPW (000)	B	35.6/22
R2221	7030000010	S.RES MCR10EZHZ JPW (000)	B	35.6/18.1
R3000	7030003440	S.RES ERJ3GEYJ 102 V (1 k)	T	26.6/23
R3001	7030003440	S.RES ERJ3GEYJ 102 V (1 k)	B	22.5/21.9
R3002	7030003440	S.RES ERJ3GEYJ 102 V (1 k)	B	11.5/20.0
R3003	7030000010	S.RES MCR10EZHZ JPW (000)	B	8.5/20
R3004	7030000010	S.RES MCR10EZHZ JPW (000)	B	14.2/20.2
R3005	7030000010	S.RES MCR10EZHZ JPW (000)	B	18.7/20.6
R3050	7030003440	S.RES ERJ3GEYJ 102 V (1 k)	B	23.4/17.4
R3051	7030003440	S.RES ERJ3GEYJ 102 V (1 k)	B	10.2/16.5
R3052	7030000010	S.RES MCR10EZHZ JPW (000)	B	8/17
R3053	7030000010	S.RES MCR10EZHZ JPW (000)	B	15.6/16.6
R3054	7030000010	S.RES MCR10EZHZ JPW (000)	B	21.1/16.6
R3100	7030003440	S.RES ERJ3GEYJ 102 V (1 k)	B	24.1/13.7
R3101	7030003440	S.RES ERJ3GEYJ 102 V (1 k)	B	10.9/12.2
R3102	7030000010	S.RES MCR10EZHZ JPW (000)	B	8.6/12.9
R3103	7030000010	S.RES MCR10EZHZ JPW (000)	B	13.7/13.8
R3104	7030000010	S.RES MCR10EZHZ JPW (000)	B	19.3/13.4
R3150	7030003440	S.RES ERJ3GEYJ 102 V (1 k)	B	23.5/6.9
R3151	7030003440	S.RES ERJ3GEYJ 102 V (1 k)	B	10.4/6
R3153	7030000010	S.RES MCR10EZHZ JPW (000)	B	8.2/6.8
R3154	7030000010	S.RES MCR10EZHZ JPW (000)	B	20/6.7
R3155	7030000010	S.RES MCR10EZHZ JPW (000)	B	14.5/6.7
C2201	4030017810	S.CER C1608 CH 1H 102J-T	B	31.2/10.9
C2202	4030017810	S.CER C1608 CH 1H 102J-T	T	32.3/7.2
C2203	4030017810	S.CER C1608 CH 1H 102J-T	T	29.3/7.2
C2204	4030017810	S.CER C1608 CH 1H 102J-T	T	34.7/18.8
C2205	4030017810	S.CER C1608 CH 1H 102J-T	T	28.5/21.3
C2211	4030007090	S.CER C1608 CH 1H 470J-T	T	30.5/7.2
C2212	4030007090	S.CER C1608 CH 1H 470J-T	B	31.2/9.6
C3000	4030009500	S.CER C1608 CH 1H 0R5B-T	T	23.3/25.2
C3002	4030017810	S.CER C1608 CH 1H 102J-T	B	20.2/21.4
C3003	4030009510	S.CER C1608 CH 1H 010B-T	T	21.8/25.3
C3004	4030009570	S.CER C1608 CH 1H 0R3B-T	T	20.6/22.5
C3005	4030009560	S.CER C1608 CH 1H 0R5B-T	T	20.6/25.1
C3006	4030009510	S.CER C1608 CH 1H 010B-T	T	18.2/22.5
C3007	4030009510	S.CER C1608 CH 1H 010B-T	T	15.8/22.5
C3008	4030009570	S.CER C1608 CH 1H 0R3B-T	T	14.6/22.5
C3009	4030017810	S.CER C1608 CH 1H 102J-T	B	10.7/21.9
C3010	4030009530	S.CER C1608 CH 1H 030B-T	T	11/25.1
C3018	4030009570	S.CER C1608 CH 1H 0R3B-T	T	13.4/22.6
C3020	4030009560	S.CER C1608 CH 1H 0R5B-T	T	12.2/22.5
C3050	4030009540	S.CER C1608 CH 1H 1R5B-T	T	22.5/17
C3051	4030009510	S.CER C1608 CH 1H 010B-T	T	20.7/17.8

M.=Mounted side (T: Mounted on the Top side B: Mounted on the Bottom side) S.=Surface mount

[DOUBLER BOARD]

REF NO.	ORDER NO.	DESCRIPTION	M.	H/V LOCATION
C3052	4030017810	S.CER C1608 CH 1H 102J-T	B	25.3/16.6
C3053	4030009540	S.CER C1608 CH 1H 1R5B-T	T	19.9/15.9
C3054	4030009570	S.CER C1608 CH 1H 0R3B-T	T	18.7/18.2
C3055	4030009540	S.CER C1608 CH 1H 1R5B-T	T	18.7/15.6
C3056	4030009510	S.CER C1608 CH 1H 010B-T	T	16.3/18.2
C3057	4030009530	S.CER C1608 CH 1H 030B-T	T	15.1/18.2
C3058	4030009560	S.CER C1608 CH 1H R75B-T	T	13.9/18.2
C3059	4030017810	S.CER C1608 CH 1H 102J-T	B	11.4/16.5
C3060	4030009910	S.CER C1608 CH 1H 040B-T	T	11.5/16.7
C3061	4030009510	S.CER C1608 CH 1H 010B-T	T	10.3/16.7
C3064	4030009510	S.CER C1608 CH 1H 010B-T	T	21.1/15.9
C3069	4030009910	S.CER C1608 CH 1H 040B-T	T	12.7/16.7
C3100	4030009540	S.CER C1608 CH 1H 1R5B-T	T	23.6/8.7
C3101	4030009560	S.CER C1608 CH 1H R75B-T	T	23.6/11.2
C3102	4030017810	S.CER C1608 CH 1H 102J-T	B	22.2/12.6
C3103	4030009550	S.CER C1608 CH 1H 2R5B-T	T	21.8/9.5
C3104	4030009510	S.CER C1608 CH 1H 010B-T	T	21.8/12.1
C3105	4030009520	S.CER C1608 CH 1H 020B-T	T	19.3/9.8
C3106	4030009520	S.CER C1608 CH 1H 020B-T	T	18.6/11.7
C3107	4030009910	S.CER C1608 CH 1H 040B-T	T	16.7/9.8
C3108	4030009510	S.CER C1608 CH 1H 010B-T	T	16/11.7
C3109	4030017810	S.CER C1608 CH 1H 102J-T	B	12.2/12.2
C3110	4030009920	S.CER C1608 CH 1H 050B-T	T	14.1/10.6
C3111	4030009540	S.CER C1608 CH 1H 1R5B-T	T	11.7/11.4
C3112	4030009350	S.CER C1608 CH 1H 3R5B-T	T	17.9/9.8
C3150	4030009520	S.CER C1608 CH 1H 020B-T	T	26.6/6.5
C3151	4030009540	S.CER C1608 CH 1H 1R5B-T	T	23.6/6
C3152	4030017810	S.CER C1608 CH 1H 102J-T	B	21.6/6.1
C3153	4030009530	S.CER C1608 CH 1H 030B-T	T	20.5/3.3
C3154	4030009500	S.CER C1608 CH 1H 0R5B-T	T	21.7/5.9
C3155	4030009520	S.CER C1608 CH 1H 020B-T	T	19.3/3.5
C3156	4030009550	S.CER C1608 CH 1H 2R5B-T	T	18.5/6.6
C3158	4030009500	S.CER C1608 CH 1H 0R5B-T	T	15.9/6.6
C3159	4030017810	S.CER C1608 CH 1H 102J-T	B	11.6/6
C3160	4030007010	S.CER C1608 CH 1H 100D-T	T	12.9/5.8
C3161	4030009540	S.CER C1608 CH 1H 1R5B-T	T	11.1/5.9
C3162	4030009910	S.CER C1608 CH 1H 040B-T	T	16.7/3.2
C3163	4030009500	S.CER C1608 CH 1H 0R5B-T	T	15.9/5.4
C3164	4030009500	S.CER C1608 CH 1H 0R5B-T	T	24.3/4.1
J2201	6910003821	CNR IMSA-9230B-1-03Z003-PT1		
J2202	6910003871	CNR IMSA-9230B-1-08Z003-PT1		

[FIL1 BOARD]

REF NO.	ORDER NO.	DESCRIPTION	M.	H/V LOCATION
D2751	1750000581	S.DIO 1SV307 (TPH3,F)	T	7.9/8.8
D2800	1750000581	S.DIO 1SV307 (TPH3,F)	T	21.9/7.9
D2850	1750000581	S.DIO 1SV307 (TPH3,F)	T	20.9/10.4
D2851	1750000581	S.DIO 1SV307 (TPH3,F)	T	21.9/12.8
D2852	1750000581	S.DIO 1SV307 (TPH3,F)	T	8.9/11.2
D2853	1750000581	S.DIO 1SV307 (TPH3,F)	T	7.9/13.8
L2800	6200005621	S.COL ELJRE 4N2ZFA	T	18.7/9
L2801	6200005641	S.COL ELJRE 6N8ZFA	T	15.4/1.6
L2802	6200005681	S.COL ELJRE 15NGFA	T	13.1/3.8
L2803	6200006981	S.COL ELJRE R10GFA	B	15.7/4.7
L2804	6200005661	S.COL ELJRE 10NGFA	T	7.3/3.1
L2850	6200005621	S.COL ELJRE 4N2ZFA	T	18.8/7
L2851	6200005631	S.COL ELJRE 5N6ZFA	T	15.5/7.7
L2852	6200005671	S.COL ELJRE 12NGFA	T	14.6/9.8
L2853	6200006981	S.COL ELJRE R10GFA	B	16.1/9.3
L2854	6200005651	S.COL ELJRE 8N2ZFA	T	12.6/10.6
L2900	6200005621	S.COL ELJRE 4N2ZFA	T	18.8/13.1
L2901	6200005631	S.COL ELJRE 5N6ZFA	T	15.4/13.8
L2902	6200005671	S.COL ELJRE 12NGFA	T	13.5/15.8
L2903	6200006981	S.COL ELJRE R10GFA	B	15.1/13.3
L2904	6200005651	S.COL ELJRE 8N2ZFA	T	11.6/16.5
R2150	7030003860	S.RES ERJ3GE JPW V	T	26.2/11.5
R2152	7030003860	S.RES ERJ3GE JPW V	T	25.4/9.6
R2800	7030003440	S.RES ERJ3GEYJ 102 V (1 k)	B	21.2/4.7
R2801	7030003440	S.RES ERJ3GEYJ 102 V (1 k)	B	10.5/4.7
R2851	7030003440	S.RES ERJ3GEYJ 102 V (1 k)	B	18.7/8.2
R2852	7030003440	S.RES ERJ3GEYJ 102 V (1 k)	B	11.8/10.1
R2900	7030003440	S.RES ERJ3GEYJ 102 V (1 k)	B	18.9/13.3
R2901	7030003440	S.RES ERJ3GEYJ 102 V (1 k)	B	10.7/14.8
C2800	4030009520	S.CER C1608 CH 1H 020B-T	B	22.9/6.6
C2801	4030009530	S.CER C1608 CH 1H 030B-T	T	18.7/2.2
C2802	4030017810	S.CER C1608 CH 1H 102J-T	B	18.5/4.7
C2803	4030009350	S.CER C1608 CH 1H 3R5B-T	T	18/4.2
C2804	4030009510	S.CER C1608 CH 1H 010B-T	T	16.7/1.6
C2805	4030009550	S.CER C1608 CH 1H 2R5B-T	T	15.4/4.2
C2806	4030009910	S.CER C1608 CH 1H 040B-T	T	14/1.6
C2807	4030009910	S.CER C1608 CH 1H 040B-T	T	12.7/1.6
C2808	4030009520	S.CER C1608 CH 1H 020B-T	T	11.4/1.6
C2809	4030017810	S.CER C1608 CH 1H 102J-T	B	13.1/4.7
C2810	4030007030	S.CER C1608 CH 1H 150J-T	T	9.3/2.4
C2811	4030009530	S.CER C1608 CH 1H 030B-T	T	9.9/3.7
C2850	4030009520	S.CER C1608 CH 1H 020B-T	B	21.3/9.4
C2851	4030009520	S.CER C1608 CH 1H 020B-T	T	18.8/8.2
C2852	4030017810	S.CER C1608 CH 1H 102J-T	B	18/10.1
C2853	4030009910	S.CER C1608 CH 1H 040B-T	T	18/10.3
C2854	4030009510	S.CER C1608 CH 1H 010B-T	T	16.8/7.7
C2855	4030009530	S.CER C1608 CH 1H 030B-T	T	16.8/10.3
C2856	4030009530	S.CER C1608 CH 1H 030B-T	T	13.4/7
C2857	4030009350	S.CER C1608 CH 1H 3R5B-T	T	13.4/8.6
C2858	4030009540	S.CER C1608 CH 1H 1R5B-T	T	10.8/7
C2859	4030017810	S.CER C1608 CH 1H 102J-T	B	14.2/10.1
C2860	4030007020	S.CER C1608 CH 1H 120J-T	T	11.4/8.9
C2861	4030009550	S.CER C1608 CH 1H 2R5B-T	T	10.1/8.9
C2900	4030009540	S.CER C1608 CH 1H 1R5B-T	B	21.5/13.3
C2901	4030009540	S.CER C1608 CH 1H 1R5B-T	T	18.8/14.4
C2902	4030017810	S.CER C1608 CH 1H 102J-T	B	17.1/14
C2903	4030009550	S.CER C1608 CH 1H 2R5B-T	T	18.1/16.5
C2904	4030009510	S.CER C1608 CH 1H 010B-T	T	16.7/13.8
C2905	4030009540	S.CER C1608 CH 1H 1R5B-T	T	15.4/16.4
C2906	4030009520	S.CER C1608 CH 1H 020B-T	T	14.2/13.8
C2907	4030009350	S.CER C1608 CH 1H 3R5B-T	T	12.8/13.8
C2908	4030009540	S.CER C1608 CH 1H 1R5B-T	T	10.9/13.1
C2909	4030017810	S.CER C1608 CH 1H 102J-T	B	13/14
C2910	4030007010	S.CER C1608 CH 1H 100D-T	T	10.9/14.6
C2911	4030009550	S.CER C1608 CH 1H 2R5B-T	T	9.4/16
J2101	6910003821	CNR IMSA-9230B-1-03Z003-PT1		
J2102	6910003851	CNR IMSA-9230B-1-06Z003-PT1		

M.=Mounted side (T: Mounted on the Top side B: Mounted on the Bottom side)
S.=Surface mount

[FIL2 BOARD]

REF NO.	ORDER NO.	DESCRIPTION	M.	H/V LOCATION
IC4450	1110006870	S.IC uPC2709TB-E3	T	7/16.1
D4500	1750000581	S.DIO 1SV307 (TPH3,F)	T	8.7/10
D4501	1750000581	S.DIO 1SV307 (TPH3,F)	T	8.7/6.7
D4502	1750000581	S.DIO 1SV307 (TPH3,F)	T	20.3/11.2
D4503	1750000581	S.DIO 1SV307 (TPH3,F)	T	20.3/7.8
L4452	6200010670	S.COL C2520C-R18G-A (0.18U)	T	6.3/13.1
L4500	6200005711	S.COL ELJRE 27NGFA	T	10.9/13.2
L4501	6200005701	S.COL ELJRE 22NGFA	T	13.1/11.3
L4502	6200006981	S.COL ELJRE R10GFA	B	14.9/12.1
L4503	6200005741	S.COL ELJRE 47NGFA	T	16/13.9
L4504	6200006991	S.COL ELJRE 56NGFA	T	19.5/14.6
L4550	6200005651	S.COL ELJRE 8N2ZFA	T	10.9/5.6
L4551	6200005641	S.COL ELJRE 6N8ZFA	T	13.1/7.6
L4552	6200006981	S.COL ELJRE R10GFA	B	14.7/6.8
L4553	6200005671	S.COL ELJRE 12NGFA	T	16/5
L4554	6200005681	S.COL ELJRE 15NGFA	T	19.5/4.4
R4451	7030003340	S.RES ERJ3GEYJ 151 V (150)	T	3.2/5.2
R4452	7030003260	S.RES ERJ3GEYJ 330 V (33)	T	2/6.7
R4454	7030003340	S.RES ERJ3GEYJ 151 V (150)	T	3.2/8.2
R4455	7030003200	S.RES ERJ3GEYJ 100 V (10)	B	4.3/13.2
R4500	7030003460	S.RES ERJ3GEYJ 152 V (1.5 k)	T	7.1/7.1
R4501	7030003440	S.RES ERJ3GEYJ 102 V (1 k)	B	11/12.1
R4502	7030003440	S.RES ERJ3GEYJ 102 V (1 k)	B	19.5/12.3
R4503	7030003440	S.RES ERJ3GEYJ 102 V (1 k)	T	21.9/10.9
R4550	7030003440	S.RES ERJ3GEYJ 102 V (1 k)	B	10.2/6.4
R4551	7030003440	S.RES ERJ3GEYJ 102 V (1 k)	B	19.5/6.8
C4458	4030017810	S.CER C1608 CH 1H 102J-T	T	2/9.5
C4459	4030017810	S.CER C1608 CH 1H 102J-T	T	5.1/15.7
C4460	4030017810	S.CER C1608 CH 1H 102J-T	B	6.1/14.7
C4500	4030017810	S.CER C1608 CH 1H 102J-T	T	7.1/9.7
C4501	4030007030	S.CER C1608 CH 1H 150J-T	T	10.9/14.6
C4502	4030009520	S.CER C1608 CH 1H 020B-T	T	10.2/11.3
C4503	4030007050	S.CER C1608 CH 1H 220J-T	T	13.1/13.9
C4504	4030017810	S.CER C1608 CH 1H 102J-T	B	13/12.9
C4505	4030011770	S.CER C1608 CH 1H 060B-T	T	11.7/11.3
C4506	4030007020	S.CER C1608 CH 1H 120J-T	T	14.6/13.9
C4507	4030007020	S.CER C1608 CH 1H 120J-T	T	14.6/11.3
C4508	4030017810	S.CER C1608 CH 1H 102J-T	B	17.1/12.9
C4509	4030007130	S.CER C1608 CH 1H 101J-T	T	16/11.3
C4510	4030007000	S.CER C1608 CH 1H 090D-T	T	18/10.6
C4511	4030007080	S.CER C1608 CH 1H 390J-T	T	18/13.3
C4512	4030007030	S.CER C1608 CH 1H 150J-T	T	18/12.1
C4514	4030017810	S.CER C1608 CH 1H 102J-T	T	21.9/8.1
C4550	4030009910	S.CER C1608 CH 1H 040B-T	T	7.9/4.5
C4551	4030009500	S.CER C1608 CH 1H 0R5B-T	T	10.2/7.6
C4552	4030011770	S.CER C1608 CH 1H 060B-T	T	13.1/5
C4553	4030017810	S.CER C1608 CH 1H 102J-T	B	12.2/6.1
C4554	4030009540	S.CER C1608 CH 1H 1R5B-T	T	11.7/7.6
C4555	4030009910	S.CER C1608 CH 1H 040B-T	T	14.6/5
C4556	4030009920	S.CER C1608 CH 1H 050B-T	T	14.6/7.6
C4557	4030017810	S.CER C1608 CH 1H 102J-T	B	17.1/6.1
C4558	4030007070	S.CER C1608 CH 1H 330J-T	T	16/7.6
C4559	4030009550	S.CER C1608 CH 1H 2R5B-T	T	18/8.3
C4560	4030007010	S.CER C1608 CH 1H 100D-T	T	18/5.6
C4561	4030009350	S.CER C1608 CH 1H 3R5B-T	T	18/6.9
J4451	6910003841	CNR IMSA-9230B-1-05Z003-PT1		
J4452	6910003841	CNR IMSA-9230B-1-05Z003-PT1		

[MIX1 UNIT]

REF NO.	ORDER NO.	DESCRIPTION	M.	H/V LOCATION
IC1	1130012720	S.IC CD74HC4094PWR	T	12.1/8.1
IC101	1110006600	S.IC MGA-82563-TR1G	T	29.6/13.2
IC102	1110006970	S.IC MAALSS0038TR	T	41.7/13.2
IC103	1110007060	S.IC PC3223TB-E3	T	23.1/7.9
IC201	1190002110	S.IC NJG1519KC1-TE3-#ZZB	T	43/26
IC202	1190002110	S.IC NJG1519KC1-TE3-#ZZB	T	39/46
IC301	1110007050	S.IC SYM-30DHW+ <MRF>	T	20.5/46.3
L101	6200002611	S.COL NLV25T-R47J	T	32.4/6.8
L102	6200010940	S.COL C2520C-39NG-A	T	32.7/12.6
L103	6200002611	S.COL NLV25T-R47J	T	43.5/7.5
L104	6200010940	S.COL C2520C-39NG-A	T	45.3/12.6
L105	6200005681	S.COL ELJRE 15NGFA	T	23.1/5.7
L106	6200005011	S.COL NLV25T-100J	B	21.4/6.4
L209	6200005631	S.COL ELJRE 6N2ZFA	T	33/27.5
L210	6200005641	S.COL ELJRE 6N8ZFA	T	32.3/31.9
L211	6200005591	S.COL ELJRE 2N7ZFA	T	39.7/32
L212	6200005601	S.COL ELJRE 3N3ZFA	T	38.9/38.8
L213	6200006771	S.COL ELJRE 1N5ZFA	T	45.3/31.3
L214	6200006771	S.COL ELJRE 1N5ZFA	T	46.1/38
L215	6200005601	S.COL ELJRE 3N3ZFA	T	33.8/24
L301	6200010630	S.COL LQW18AN8N2D00D [FRA], [AUS], [CHN]	T	33.9/55.1
L302	6200010700	S.COL LQW18AN12NG00D except [FRA], [AUS], [CHN]	T	33.9/55.1
L302	6200010140	S.COL LQW18AN3N9C00D [FRA], [AUS], [CHN] only	T	33.9/56.6
R1	7030003200	S.RES ERJ3GEYJ 100 V (10)	T	8.6/6.2
R2	7030008240	S.RES ERJ12Y0R00U	B	3.5/28.4
R3	7030008240	S.RES ERJ12Y0R00U	B	34.4/4.8
R4	7030008240	S.RES ERJ12Y0R00U	B	3.5/21.5
R5	7030003860	S.RES ERJ3GE JPW V	B	6.8/7.6
R6	7030003860	S.RES ERJ3GE JPW V	B	7.4/15.9
R7	7030003860	S.RES ERJ3GE JPW V	B	8.8/7.6
R8	7030003860	S.RES ERJ3GE JPW V	B	9.8/15.9
R9	7030003860	S.RES ERJ3GE JPW V	B	10.8/7.6
R10	7030003860	S.RES ERJ3GE JPW V	B	12.2/15.9
R11	7030003860	S.RES ERJ3GE JPW V	B	13.6/7.6
R12	7030003360	S.RES ERJ3GEYJ 221 V (220)	B	6.8/5
R13	7030003360	S.RES ERJ3GEYJ 221 V (220)	B	8.6/17
R14	7030003360	S.RES ERJ3GEYJ 221 V (220)	B	8/5
R15	7030000010	S.RES MCR10EZJH JPW (000)	B	27.5/3.6
R101	7030003250	S.RES ERJ3GEYJ 270 V (27)	T	27.6/9
R102	7030003360	S.RES ERJ3GEYJ 221 V (220)	T	28.3/7
R103	7030003360	S.RES ERJ3GEYJ 221 V (220)	T	29.5/11
R104	7030007860	S.RES ERJ3GEYJ 8R2V (8.2)	T	37.3/9.5
R105	7030003410	S.RES ERJ3GEYJ 561 V (560)	T	36.5/7.5
R106	7030003410	S.RES ERJ3GEYJ 561 V (560)	T	38/7.5
R107	7030007860	S.RES ERJ3GEYJ 8R2V (8.2)	T	45.3/19.5
R108	7030003410	S.RES ERJ3GEYJ 561 V (560)	T	47.2/18.7
R109	7030003410	S.RES ERJ3GEYJ 561 V (560)	T	47.2/20.2
R110	7030008240	S.RES ERJ12Y0R00U	B	39.7/20.5
R111	7030003370	S.RES ERJ3GEYJ 271 V (270)	T	20/13.8
R112	7030003370	S.RES ERJ3GEYJ 271 V (270)	T	20/12.3
R113	7030003230	S.RES ERJ3GEYJ 180 V (18)	T	21.8/13
R201	7030003440	S.RES ERJ3GEYJ 102 V (1 k)	B	39.7/24.7
R202	7030003440	S.RES ERJ3GEYJ 102 V (1 k)	B	41.5/24.7
R203	7030003440	S.RES ERJ3GEYJ 102 V (1 k)	B	46.4/24.7
R204	7030003440	S.RES ERJ3GEYJ 102 V (1 k)	B	44.6/24.7
R219	7030003440	S.RES ERJ3GEYJ 102 V (1 k)	B	37.5/44.6
R220	7030003440	S.RES ERJ3GEYJ 102 V (1 k)	B	37.5/42.7
R221	7030003440	S.RES ERJ3GEYJ 102 V (1 k)	B	37.5/47.4
R222	7030003440	S.RES ERJ3GEYJ 102 V (1 k)	B	37.5/49.2
R301	7030004030	S.RES ERJ3GEYJ 5R6 V (5.6)	T	25.1/55.1
R302	7030003430	S.RES ERJ3GEYJ 821 V (820)	T	22.8/55.8
R303	7030003430	S.RES ERJ3GEYJ 821 V (820)	T	27.3/55.9
R304	7030003280	S.RES ERJ3GEYJ 470 V (47) [FRA], [AUS], [CHN]	T	29.3/56.6
C1	4030007010	S.CER C1608 CH 1H 100D-T	B	12.2/18.5
C2	4030007010	S.CER C1608 CH 1H 100D-T	B	13.6/5
C3	4030007010	S.CER C1608 CH 1H 100D-T	B	11.3/5.7
C4	4030007010	S.CER C1608 CH 1H 100D-T	B	9.8/18.5
C5	4030007010	S.CER C1608 CH 1H 100D-T	B	7.4/18.5
C6	4030007010	S.CER C1608 CH 1H 100D-T	B	9.2/5
C7	4030007010	S.CER C1608 CH 1H 100D-T	B	5.6/5
C8	4030011600	S.CER C1608 JB 1E 104K-T	T	8.6/8.9
C10	4030011340	S.CER C1608 CH 1H 471J-T	B	14.9/5
C11	4030011340	S.CER C1608 CH 1H 471J-T	B	13.4/19.6
C12	4030011340	S.CER C1608 CH 1H 471J-T	B	11.3/4.5
C13	4030011340	S.CER C1608 CH 1H 471J-T	B	11/18.5
C101	4030007010	S.CER C1608 CH 1H 100D-T	T	26.1/9
C102	4030006860	S.CER C1608 JB 1H 102K-T	T	26.1/11.8
C103	4030007130	S.CER C1608 CH 1H 101J-T	T	27.6/11.8
C104	4030017810	S.CER C1608 CH 1H 102J-T	T	32/8.8
C105	4030007130	S.CER C1608 CH 1H 101J-T	T	32/10
C106	4030007130	S.CER C1608 CH 1H 101J-T	T	35.8/14
C107	4030006860	S.CER C1608 JB 1H 102K-T	T	35.8/12.5
C108	4030007010	S.CER C1608 CH 1H 100D-T	T	37.3/11
C109	4030006860	S.CER C1608 JB 1H 102K-T	T	38.8/12.5
C110	4030007130	S.CER C1608 CH 1H 101J-T	T	38.8/14
C111	4030017810	S.CER C1608 CH 1H 102J-T	T	42.7/9.4
C112	4030007130	S.CER C1608 CH 1H 101J-T	T	42.7/10.6
C113	4030007130	S.CER C1608 CH 1H 101J-T	T	40.9/19
C114	4030006860	S.CER C1608 JB 1H 102K-T	T	42.4/19
C115	4030007010	S.CER C1608 CH 1H 100D-T	T	43.9/19.7
C116	4030007010	S.CER C1608 CH 1H 100D-T	T	23.1/13
C117	4030007010	S.CER C1608 CH 1H 100D-T	T	21.5/9.9
C118	4030006860	S.CER C1608 JB 1H 102K-T	T	21.5/11.1
C119	4030006900	S.CER C1608 JB 1H 103K-T	T	19.9/7.1

M.=Mounted side (T: Mounted on the Top side B: Mounted on the Bottom side) S.=Surface mount

[MIX1 UNIT]

REF NO.	ORDER NO.	DESCRIPTION	M.	H/V LOCATION
C120	4030007130	S.CER C1608 CH 1H 101J-T	T	21.2/7.1
C121	4030006860	S.CER C1608 JB 1H 102K-T	T	25.7/7
C122	4030007130	S.CER C1608 CH 1H 101J-T	T	25.7/5.7
C123	4030009550	S.CER C1608 CH 1H 2R5B-T	T	35.3/5.7
C124	4030009550	S.CER C1608 CH 1H 2R5B-T	T	30.3/4.4
C125	4030009550	S.CER C1608 CH 1H 2R5B-T	T	46/6
C126	4030009550	S.CER C1608 CH 1H 2R5B-T	T	41.2/5.1
C127	4030009920	S.CER C1608 CH 1H 050B-T	B	21.4/8.3
C128	4030009920	S.CER C1608 CH 1H 050B-T	B	19.1/6.2
C202	4030007100	S.CER C1608 CH 1H 560J-T	B	46.4/27.4
C203	4030007100	S.CER C1608 CH 1H 560J-T	B	44.6/27.4
C204	4030007100	S.CER C1608 CH 1H 560J-T	B	41.5/27.4
C205	4030007100	S.CER C1608 CH 1H 560J-T	B	39.7/27.4
C230	4030011340	S.CER C1608 CH 1H 471J-T	T	39.7/24.7
C231	4030009520	S.CER C1608 CH 1H 020B-T	T	33.8/25.5
C232	4030009510	S.CER C1608 CH 1H 010B-T	T	31.5/27.5
C233	4030009520	S.CER C1608 CH 1H 020B-T	T	32.3/29.4
C235	4030009500	S.CER C1608 CH 1H 0R5B-T	T	32.3/33.3
C236	4030009510	S.CER C1608 CH 1H 010B-T	T	33.8/34.5
C237	4030011340	S.CER C1608 CH 1H 471J-T	T	33.3/36.7
C238	4030007170	S.CER C1608 CH 1H 221J-T	T	39.7/29
C239	4030009520	S.CER C1608 CH 1H 020B-T	T	37.4/29.8
C240	4030009500	S.CER C1608 CH 1H 0R5B-T	T	38.2/32
C241	4030009550	S.CER C1608 CH 1H 2R5B-T	T	38.9/35.8
C243	4030009570	S.CER C1608 CH 1H 0R3B-T	T	38.9/37.3
C244	4030009540	S.CER C1608 CH 1H 1R5B-T	T	37.4/40.3
C245	4030007170	S.CER C1608 CH 1H 221J-T	T	39.7/41
C246	4030007100	S.CER C1608 CH 1H 560J-T	T	46.1/29
C247	4030009510	S.CER C1608 CH 1H 010B-T	T	43.8/29.8
C249	4030009510	S.CER C1608 CH 1H 010B-T	T	45.3/35.8
C250	4030009500	S.CER C1608 CH 1H 0R5B-T	T	45.3/34.3
C252	4030009510	S.CER C1608 CH 1H 010B-T	T	43.8/40.3
C253	4030007100	S.CER C1608 CH 1H 560J-T	T	46.1/41
C259	4030007100	S.CER C1608 CH 1H 560J-T	B	40.1/44.6
C260	4030007100	S.CER C1608 CH 1H 560J-T	B	40.1/42.7
C261	4030007100	S.CER C1608 CH 1H 560J-T	B	40.1/49.2
C262	4030007100	S.CER C1608 CH 1H 560J-T	B	40.1/47.4
C263	4030009510	S.CER C1608 CH 1H 010B-T	T	37.9/25.7
C264	4030009520	S.CER C1608 CH 1H 020B-T	T	33.8/22.5
C265	4030007130	S.CER C1608 CH 1H 101J-T	T	45.3/22.2
C266	4030006860	S.CER C1608 JB 1H 102K-T	T	46.5/22.2
C306	4030006860	S.CER C1608 JB 1H 102K-T	T	28.8/47.4
C307	4030007130	S.CER C1608 CH 1H 101J-T	T	30/47.4
C310	4030009530	S.CER C1608 CH 1H 030B-T except [FRA], [AUS], [CHN]	T	31.6/55.9
C312	4030009540	S.CER C1608 CH 1H 1R5B-T [FRA], [AUS], [CHN]	T	31.6/55.9
C312	4030009350	S.CER C1608 CH 1H 3R5B-T [FRA], [AUS], [CHN]	T	36.1/55.9
C312	4030009530	S.CER C1608 CH 1H 030B-T except [FRA], [AUS], [CHN]	T	36.1/55.9
J1	6510019971	S.CNR 52808-1071	B	10.3/11.7
J101	6510023480	S.CNR AYU1-1P-02676-120-TF	B	22.8/11.8
J301	6510023480	S.CNR AYU1-1P-02676-120-TF	B	7.7/48.9
J302	6510007020	CNR TMP-J01X-V6	B	
W1	8900015660	CBL OPC-1596	B	
W2	8900015780	CBL OPC-1634	B	
EP11	6910015970	S.BEA MMZ1608B 301CT-AS	B	11/15.9
EP12	6910015970	S.BEA MMZ1608B 301CT-AS	B	11.3/3.3
EP13	6910015970	S.BEA MMZ1608B 301CT-AS	B	16.3/5
EP14	6910015970	S.BEA MMZ1608B 301CT-AS	B	13.4/17
EP101	6910015970	S.BEA MMZ1608B 301CT-AS	T	33.8/4.5
EP102	6910015970	S.BEA MMZ1608B 301CT-AS	T	44.5/4.8
EP103	6910015970	S.BEA MMZ1608B 301CT-AS	B	18.3/4.3
EP104	6910015970	S.BEA MMZ1608B 301CT-AS	B	30.5/4.2
EP105	6910015970	S.BEA MMZ1608B 301CT-AS	B	37.4/4.9

[MIX2 UNIT]

REF NO.	ORDER NO.	DESCRIPTION	M.	H/V LOCATION
IC21	1190002051	S.IC SPM5001-TL-E	T	37.8/37.2
IC101	1110006870	S.IC PC2709TB-E3	T	8.4/20.7
D101	1790001250	S.DIO MA2S1110G-(TX) [EUR], [UK] only	T	9.1/14.7
D102	1790001250	S.DIO MA2S1110G-(TX) [EUR], [UK] only	T	6.6/14.7
D121	1790001621	S.DIO 1SV308 (TPL3,F)	T	8.6/42.1
D122	1790001621	S.DIO 1SV308 (TPL3,F)	T	18.1/47.2
D141	1790001621	S.DIO 1SV308 (TPL3,F)	T	9.4/39.9
D142	1790001621	S.DIO 1SV308 (TPL3,F)	T	18.1/39.9
D161	1790001621	S.DIO 1SV308 (TPL3,F)	T	9.4/31.1
D162	1790001621	S.DIO 1SV308 (TPL3,F)	T	17.9/32.6
L1	6200010700	S.COL LQW18AN12NG00D	T	43.5/41.6
L2	6200010700	S.COL LQW18AN12NG00D	T	44.2/46.9
L3	6200010700	S.COL LQW18AN12NG00D	T	43.5/37
L21	6140004610	S.COL LR-520	T	33.8/47.4
L22	6130002961	S.COL #617DB-1327=P3	T	31.2/37.3
L23	6130002961	S.COL #617DB-1327=P3	T	36.8/29.9
L41	6200011050	S.COL C2012C-R12G-A	T	36.9/15.4
L42	6200010320	S.COL C2012C-R15G-A	T	39.5/12.8
L43	6200010310	S.COL C2012C-27NG-A	T	41.7/18.5
L44	6200010010	S.COL C2012C-39NG-A	T	45.8/17.6
L101	6200010350	S.COL C2012C-R27G-A	T	10.9/21.6
L102	6200001981	S.COL NLV25T-1R0J	T	12.3/28.7
L121	6200005721	S.COL ELJRE 33NGFA	T	12.2/45.7
L122	6200005721	S.COL ELJRE 33NGFA	T	14.5/46.5
L123	6200001981	S.COL NLV25T-1R0J	B	17.3/44.1
L141	6200005661	S.COL ELJRE 10NGFA	T	13/39.2
L142	6200005661	S.COL ELJRE 10NGFA	T	15.2/38.4
L143	6200001981	S.COL NLV25T-1R0J	B	18/37.1
L161	6200005651	S.COL ELJRE 8N2ZFA	T	12.2/31.1
L162	6200005651	S.COL ELJRE 8N2ZFA	T	14.5/31.9
L163	6200001981	S.COL NLV25T-1R0J	B	18.3/29.6
L181	6200001981	S.COL NLV25T-1R0J	T	22.2/38.5
L183	6200005651	S.COL ELJRE 8N2ZFA	T	24.8/42.3
R21	7030003860	S.RES ERJ3GE JPW V	T	32/42.3
R22	7030003860	S.RES ERJ3GE JPW V	T	38.6/42.3
R23	7030003320	S.RES ERJ3GEYJ 101 V (100)	T	35.6/38.6
R24	7030003320	S.RES ERJ3GEYJ 101 V (100)	T	35.6/35.9
R25	7030003260	S.RES ERJ3GEYJ 330 V (33)	T	30.1/30.1
R26	7030003300	S.RES ERJ3GEYJ 680 V (68)	T	30.3/44.8
R27	7030003300	S.RES ERJ3GEYJ 680 V (68)	T	37.3/44.8
R42	7030003860	S.RES ERJ3GE JPW V	T	35.8/20
R44	7030003280	S.RES ERJ3GEYJ 470 V (47)	T	44/17.3
R101	7030003860	S.RES ERJ3GE JPW V [EUR], [UK]	T	7.5/12.5
R101	7030004430	S.RES ERJ3GEYJ 5R6 V (5.6) [EUR], [UK]	T	7.5/12.5
R102	7030003430	S.RES ERJ3GEYJ 821 V (820) [EUR], [UK] only	T	9.7/11.8
R103	7030003430	S.RES ERJ3GEYJ 821 V (820)	T	9.7/13.3
R104	7030003200	S.RES ERJ3GEYJ 100 V (10)	T	11.5/18
R105	7030003440	S.RES ERJ3GEYJ 102 V (1 k)	T	9.3/29
R121	7030003440	S.RES ERJ3GEYJ 102 V (1 k)	B	19.6/43
R122	7030003680	S.RES ERJ3GEYJ 104 V (100 k)	B	19.2/45
R141	7030003440	S.RES ERJ3GEYJ 102 V (1 k)	B	20.2/37.6
R142	7030003680	S.RES ERJ3GEYJ 104 V (100 k)	B	19/40.2
R161	7030003410	S.RES ERJ3GEYJ 561 V (560)	B	19.4/27.3
R162	7030003680	S.RES ERJ3GEYJ 104 V (100 k)	B	20.2/29.3
R181	7030003440	S.RES ERJ3GEYJ 102 V (1 k)	T	22.1/41.5
C1	4030009920	S.CER C1608 CH 1H 050B-T	T	44.2/39.1
C3	4030009920	S.CER C1608 CH 1H 050B-T	T	45.7/43.9
C5	4030009530	S.CER C1608 CH 1H 030B-T	T	41.7/47.6
C6	4030009530	S.CER C1608 CH 1H 030B-T	T	44.2/34.6
C21	4030006850	S.CER C1608 JB 1H 471K-T	T	29/49.1
C22	4030011600	S.CER C1608 JB 1E 104K-T	T	37.2/49.1
C23	4030011600	S.CER C1608 JB 1E 104K-T	T	30.4/49.1
C24	4030006850	S.CER C1608 JB 1H 471K-T	T	38.6/49.1
C29	4030006850	S.CER C1608 JB 1H 471K-T	T	37.5/24.2
C30	4030011600	S.CER C1608 JB 1E 104K-T	T	37.5/25.6
C31	4030006850	S.CER C1608 JB 1H 471K-T	T	33.1/31.6
C32	4030011600	S.CER C1608 JB 1E 104K-T	T	33.1/27.1
C33	4030011600	S.CER C1608 JB 1E 104K-T	T	31.6/31.6
C34	4030006850	S.CER C1608 JB 1H 471K-T	T	31.6/27.1
C42	4030007100	S.CER C1608 CH 1H 560J-T	T	41.9/13.8
C43	4030007070	S.CER C1608 CH 1H 330J-T	T	41.9/11.8
C44	4030007020	S.CER C1608 CH 1H 120J-T	T	36.6/17.8
C45	4030007020	S.CER C1608 CH 1H 120J-T	T	41.4/16.6
C101	4030006860	S.CER C1608 JB 1H 102K-T	T	7.5/18.1
C102	4030006860	S.CER C1608 JB 1H 102K-T	T	9.7/18.8
C103	4030006860	S.CER C1608 JB 1H 102K-T	T	8.4/22.6
C104	4030011600	S.CER C1608 JB 1E 104K-T	T	9.7/17.4
C121	4030007030	S.CER C1608 CH 1H 150J-T	T	11.5/48
C122	4030006860	S.CER C1608 JB 1H 102K-T	B	20.4/45
C123	4030007060	S.CER C1608 CH 1H 270J-T	T	13/48
C124	4030007030	S.CER C1608 CH 1H 150J-T	T	16/48
C141	4030009910	S.CER C1608 CH 1H 040B-T	T	11.5/40.7
C142	4030006860	S.CER C1608 JB 1H 102K-T	B	20.2/40.2
C143	4030006990	S.CER C1608 CH 1H 080D-T	T	14.5/40.7
C144	4030009910	S.CER C1608 CH 1H 040B-T	T	16/40.7
C161	4030009910	S.CER C1608 CH 1H 040B-T	T	11.5/33.4
C162	4030006860	S.CER C1608 JB 1H 102K-T	B	21.4/29.3
C163	4030006980	S.CER C1608 CH 1H 070D-T	T	13/33.4
C164	4030009910	S.CER C1608 CH 1H 040B-T	T	16/33.4
C181	4030006860	S.CER C1608 JB 1H 102K-T	T	22.8/43.8
C182	4030006990	S.CER C1608 CH 1H 080D-T	T	24.1/40
C184	4030006990	S.CER C1608 CH 1H 080D-T	T	25.6/40
C201	4030006860	S.CER C1608 JB 1H 102K-T	T	25.4/12.1
C202	4030006860	S.CER C1608 JB 1H 102K-T	B	20.3/12.1
C203	4030006860	S.CER C1608 JB 1H 102K-T	B	21.6/12.1

M.=Mounted side (T: Mounted on the Top side B: Mounted on the Bottom side) S.=Surface mount

[MIX2 UNIT]

REF NO.	ORDER NO.	DESCRIPTION	M.	H/V LOCATION
C204	4030006860	S.CER C1608 JB 1H 102K-T	B	22.9/12.1
J1	6510007020	CNR TMP-J01X-V6	B	22/7
J41	6510007020	CNR TMP-J01X-V6		
J101	6510007020	CNR TMP-J01X-V6		
J201	6510019971	S.CNR 52808-1071		
EP31	6910015970	S.BEA MMZ1608B 301CT-AS	B	29.3/25.3
EP101	6910015970	S.BEA MMZ1608B 301CT-AS	B	16/15.5
EP102	6910002161	CAS CASE-BM7H-LF	B	22.9/15.6
EP201	6910015970	S.BEA MMZ1608B 301CT-AS		
EP202	6910015970	S.BEA MMZ1608B 301CT-AS		
EP203	6910015970	S.BEA MMZ1608B 301CT-AS		
EP204	6910015970	S.BEA MMZ1608B 301CT-AS		
EP205	6910015970	S.BEA MMZ1608B 301CT-AS		
EP206	6910015970	S.BEA MMZ1608B 301CT-AS		
EP207	6910015970	S.BEA MMZ1608B 301CT-AS		
EP208	6910015970	S.BEA MMZ1608B 301CT-AS		

[ANT UNIT]

REF NO.	ORDER NO.	DESCRIPTION	M.	H/V LOCATION
IC101	1110006970	S.IC MAALSS0038TR	T	87.4/12.7
IC201	1110006970	S.IC MAALSS0038TR	T	46.3/43.7
IC202	1110006970	S.IC MAALSS0038TR	T	33.2/42.3
IC601	1110006180	S.IC UPG2009TB-E3	T	158.5/24.2
IC602	1110006180	S.IC UPG2009TB-E3	T	158.5/16.3
IC701	1110006180	S.IC UPG2009TB-E3	T	152.7/11.5
IC702	1110006180	S.IC UPG2009TB-E3	T	144.8/11.5
IC801	1110006180	S.IC UPG2009TB-E3	T	139.2/10.3
IC802	1110007110	S.IC HELA-10+ <MRF>	T	120.6/9.4
IC803	1110006180	S.IC UPG2009TB-E3	T	105.5/19.9
IC1201	1130005721	S.IC TC7W04F (TE12L,F)	T	32.9/12.2
Q201	1530003880	S.TR HSG2001VF-TE-E	T	40.2/31.3
Q1202	1590003530	S.TR BCR08PN	T	35.6/21.8
		except [FRA], [AUS], [CHN]		
	1590003930	S.TR UMD22N TR [FRA], [AUS], [CHN]	T	35.6/21.8
Q1203	1590003630	S.TR EMD29-T2R	T	32.1/21.8
Q1204	1590003630	S.TR EMD29-T2R	T	37.6/8.1
Q1205	1590003520	S.TR BCR108T	T	30.8/4.3
		except [FRA], [AUS], [CHN]		
	1590003940	S.TR RN1105 (TE85L,F)	T	30.8/4.3
		[FRA], [AUS], [CHN]	T	30.8/4.3
Q1206	1590003530	S.TR BCR08PN	T	42.3/22.4
		except [FRA], [AUS], [CHN]		
	1590003930	S.TR UMD22N TR [FRA], [AUS], [CHN]	T	42.3/22.4
Q1207	1590003530	S.TR BCR08PN	T	42.3/13.7
		except [FRA], [AUS], [CHN]		
	1590003930	S.TR UMD22N TR [FRA], [AUS], [CHN]	T	42.3/13.7
Q1208	1590003530	S.TR BCR08PN	T	42.3/19.5
		except [FRA], [AUS], [CHN]		
	1590003930	S.TR UMD22N TR [FRA], [AUS], [CHN]	T	42.3/19.5
Q1209	1590003530	S.TR BCR08PN	T	42.3/16.6
		except [FRA], [AUS], [CHN]		
	1590003930	S.TR UMD22N TR [FRA], [AUS], [CHN]	T	42.3/16.6
Q1210	1550000090	S.FET RSQ035P03TR	T	34.9/2.5
D101	1750000550	S.DIO 1SS355 TE-17	B	94.4/44.2
D102	1750000550	S.DIO 1SS355 TE-17	T	98.2/13.2
D103	1750000550	S.DIO 1SS355 TE-17	B	62/12.6
D104	1750000550	S.DIO 1SS355 TE-17	B	79.2/42.8
D201	1750000550	S.DIO 1SS355 TE-17	B	65.9/48.7
D202	1750000550	S.DIO 1SS355 TE-17	B	22.5/44.9
D501	1750000550	S.DIO 1SS355 TE-17	B	136.7/25
L1	6200011730	S.COL LQW18AN10NG00D	T	111.9/39.2
L2	6200010120	S.COL LQW18AN5N6C00D	T	106.8/32.7
L3	6200010120	S.COL LQW18AN5N6C00D	T	104.2/32.7
L101	6200001831	S.COL NLV32T-100J	T	83.3/3.7
L102	6200005731	S.COL ELJRE 39NGFA	T	84.8/10
L201	6200007670	S.COL LQW2BHN10NJ03L	T	55.4/33.8
L202	6200005631	S.COL ELJRE 5N6ZFA	T	50.9/32.8
L203	6200005621	S.COL ELJRE 4N7ZFA	T	47.5/34
L204	6200011870	S.COL LQW18AN2N2D00D	T	52.9/46.6
L205	6200011870	S.COL LQW18AN2N2D00D	T	51.4/46.6
L206	6200007670	S.COL LQW2BHN10NJ03L	T	37.8/30.7
L207	6200005731	S.COL ELJRE 39NGFA	T	44.4/42.7
L208	6200006781	S.COL ELJRE 1N8ZFA	T	34.9/29.6
L209	6200005601	S.COL ELJRE 3N3ZFA	T	31.6/30.3
L210	6200005611	S.COL ELJRE 3N9ZFA	T	29.4/29.6
L211	6200006771	S.COL ELJRE 1N5ZFA	T	42.1/43.3
L212	6200006771	S.COL ELJRE 1N5ZFA	T	39.5/44.5
L213	6200001831	S.COL NLV32T-100J	B	41.4/39.8
L214	6200005731	S.COL ELJRE 39NGFA	T	33/40.2
L215	6200001831	S.COL NLV32T-100J	T	39.3/40.6
L216	6200012310	S.COL LQW18AN4N7D00D	T	55.2/45.6
L217	6200010630	S.COL LQW18AN8N2D00D	T	30.8/46.6
L218	6200012310	S.COL LQW18AN4N7D00D	T	28.8/47.4
L219	6200012320	S.COL LQW18AN3N6D00D	T	26.5/47.8
L501	6200010660	S.COL C2520C-R15G-A (0.15U)	T	155.4/31.1
L502	6200010670	S.COL C2520C-R18G-A (0.18U)	T	159.7/30.4
L503	6200010670	S.COL C2520C-R18G-A (0.18U)	T	151.6/30.3
L521	6200007780	S.COL LQW2BHN12J03L	B	152.6/38.5
L522	6200008570	S.COL LQW2BHN6N8D03L	B	143.8/40.1
L801	6130003020	S.COL ADTL1-12+ <MRF>	T	133/9.5
L802	6200010870	S.COL C2520C-R33G-A (0.33U)	T	113.4/6.6
L803	6200010870	S.COL C2520C-R33G-A (0.33U)	T	113.4/12.3
L804	6130003020	S.COL ADTL1-12+ <MRF>	T	105.5/9.4
R1	7030003560	S.RES ERJ3GEYJ 103 V (10 k)	T	109.3/41.3
R101	7030003200	S.RES ERJ3GEYJ 100 V (10)	B	91.5/42.6
R102	7030003200	S.RES ERJ3GEYJ 100 V (10)	T	97.2/11.2
R104	7030003350	S.RES ERJ3GEYJ 181 V (180)	T	76.1/25.4
R105	7030003200	S.RES ERJ3GEYJ 100 V (10)	B	60.4/10.8
R106	7030003300	S.RES ERJ3GEYJ 680 V (68)	T	76.8/23.3
R107	7030004030	S.RES ERJ3GEYJ 5R6 V (5.6)	T	78.3/10.8
R108	7030003430	S.RES ERJ3GEYJ 821 V (820)	T	79.1/12.7
R109	7030003430	S.RES ERJ3GEYJ 821 V (820)	T	77.6/12.7
R110	7030003300	S.RES ERJ3GEYJ 680 V (68)	T	75.3/23.3
R111	7030003200	S.RES ERJ3GEYJ 100 V (10)	B	80.2/40.8
R112	7030003430	S.RES ERJ3GEYJ 821 V (820)	B	89.9/18.4
R113	7030004030	S.RES ERJ3GEYJ 5R6 V (5.6)	B	91.8/17.6
R114	7030003430	S.RES ERJ3GEYJ 821 V (820)	B	89.9/16.9
R115	7030003380	S.RES ERJ3GEYJ 331 V (330)	T	83.6/10
R120	7030000010	S.RES MCR10EZHZ JPW (000)	B	51.5/40.7
R121	7030000010	S.RES MCR10EZHZ JPW (000)	B	46.1/51.5
R201	7030003200	S.RES ERJ3GEYJ 100 V (10)	B	66.9/50.8
R202	7030003500	S.RES ERJ3GEYJ 332 V (3.3 k)	T	43.7/28.8
R203	7030003280	S.RES ERJ3GEYJ 470 V (47)	B	35.1/28.9
R204	7030003480	S.RES ERJ3GEYJ 222 V (2.2 k)	T	44.9/33.3
R205	7030003240	S.RES ERJ3GEYJ 220 V (22)	T	42.9/30.6

M.=Mounted side (T: Mounted on the Top side B: Mounted on the Bottom side) S.=Surface mount

[ANT UNIT]

REF NO.	ORDER NO.	DESCRIPTION	M.	H/V LOCATION
R206	7030003200	S.RES ERJ3GEYJ 100 V (10)	T	37.8/33.9
R212	7030003200	S.RES ERJ3GEYJ 100 V (10)	B	21.4/48.3
R213	7030003430	S.RES ERJ3GEYJ 821 V (820)	T	49.9/46.6
R214	7030004030	S.RES ERJ3GEYJ 5R6 V (5.6)	T	49.2/43.5
R215	7030003430	S.RES ERJ3GEYJ 821 V (820)	T	48.4/46.6
R216	7030003430	S.RES ERJ3GEYJ 821 V (820)	T	36.7/46.6
R217	7030004030	S.RES ERJ3GEYJ 5R6 V (5.6)	T	36.2/43.3
R218	7030003430	S.RES ERJ3GEYJ 821 V (820)	T	35.5/46.6
R220	7030003400	S.RES ERJ3GEYJ 471 V (470)	B	20.1/26.2
R221	7030003200	S.RES ERJ3GEYJ 100 V (10)	B	19.3/24.1
R222	7030003400	S.RES ERJ3GEYJ 471 V (470)	B	18.6/26.2
R501	7540000260	ABS SA05C 201M		
R502	7030003680	S.RES ERJ3GEYJ 104 V (100 k)	T	141.2/44.2
R503	7030003200	S.RES ERJ3GEYJ 100 V (10)	B	132.9/23.9
R601	7030003440	S.RES ERJ3GEYJ 102 V (1 k)	B	153.1/25.1
R602	7030003290	S.RES ERJ3GEYJ 560 V (56)	T	163.3/21
R603	7030003360	S.RES ERJ3GEYJ 221 V (220)	T	161.5/20.3
R604	7030003290	S.RES ERJ3GEYJ 560 V (56)	T	163.3/19.5
R605	7030003440	S.RES ERJ3GEYJ 102 V (1 k)	B	156.1/16.2
R606	7030003440	S.RES ERJ3GEYJ 102 V (1 k)	B	161.7/15.4
R607	7030003440	S.RES ERJ3GEYJ 102 V (1 k)	B	161.7/24.3
R701	7030003440	S.RES ERJ3GEYJ 102 V (1 k)	B	152.6/15.8
R702	7030003300	S.RES ERJ3GEYJ 680 V (68)	T	148.8/8.3
R703	7030003320	S.RES ERJ3GEYJ 101 V (100)	T	149.5/6.4
R704	7030003320	S.RES ERJ3GEYJ 101 V (100)	T	148/6.4
R705	7030003440	S.RES ERJ3GEYJ 102 V (1 k)	B	143.9/15.8
R706	7030003440	S.RES ERJ3GEYJ 102 V (1 k)	B	143.9/7.3
R707	7030003440	S.RES ERJ3GEYJ 102 V (1 k)	B	153.6/7.3
R801	7030003440	S.RES ERJ3GEYJ 102 V (1 k)	B	140.1/6.4
R802	7030003440	S.RES ERJ3GEYJ 102 V (1 k)	B	140.1/14.5
R803	7030003860	S.RES ERJ3GE JPW V	T	105.2/15.4
R804	7030003440	S.RES ERJ3GEYJ 102 V (1 k)	T	103/14.6
R806	7030003440	S.RES ERJ3GEYJ 102 V (1 k)	B	102.7/18
R807	7030003440	S.RES ERJ3GEYJ 102 V (1 k)	B	106.4/21.7
R809	7030003440	S.RES ERJ3GEYJ 102 V (1 k)	T	137.6/5.3
R1207	7030003680	S.RES ERJ3GEYJ 104 V (100 k)	T	31.3/2
R1208	7030003440	S.RES ERJ3GEYJ 102 V (1 k)	T	32.5/3.5
C1	4030009920	S.CER C1608 CH 1H 050B-T	T	107.4/40.5
C2	4030009530	S.CER C1608 CH 1H 030B-T	T	109.3/39.2
C3	4030009520	S.CER C1608 CH 1H 020B-T	T	107.4/37.9
C4	4030006980	S.CER C1608 CH 1H 070D-T	T	106.8/35.3
C6	4030009540	S.CER C1608 CH 1H 1R5B-T	T	105.5/37.2
C7	4030007050	S.CER C1608 CH 1H 220J-T	T	104.2/35.3
C8	4030009550	S.CER C1608 CH 1H 2R5B-T	T	102.9/37.2
C101	4030006860	S.CER C1608 JB 1H 102K-T	B	94.1/42.6
C102	4030006860	S.CER C1608 JB 1H 102K-T	T	97.9/14.8
C104	4030006860	S.CER C1608 JB 1H 102K-T	T	85.6/7.1
C105	4030007130	S.CER C1608 CH 1H 101J-T	T	85.6/5.9
C106	4030007130	S.CER C1608 CH 1H 101J-T	T	81.1/10.7
C107	4030006860	S.CER C1608 JB 1H 102K-T	B	63.8/12.3
C109	4030006860	S.CER C1608 JB 1H 102K-T	B	79.5/44.3
C110	4030007130	S.CER C1608 CH 1H 101J-T	T	90.3/13.6
C111	4030009500	S.CER C1608 CH 1H 0R5B-T	B	83.9/44.5
C112	4030009500	S.CER C1608 CH 1H 0R5B-T	B	74.3/44.3
C113	4030009570	S.CER C1608 CH 1H 0R3B-T	B	84.3/32
C115	4030009500	S.CER C1608 CH 1H 0R5B-T	B	74.1/11
C116	4030009560	S.CER C1608 CH 1H R75B-T	T	80.3/12.7
C117	4030009920	S.CER C1608 CH 1H 050B-T	B	93/17.6
C118	4030009920	S.CER C1608 CH 1H 050B-T	T	78.3/9.6
C119	4030009560	S.CER C1608 CH 1H R75B-T	T	89.6/11.7
C122	4030009570	S.CER C1608 CH 1H 0R3B-T	B	74.1/36.7
C123	4030007090	S.CER C1608 CH 1H 470J-T	T	80/3.7
C201	4030006860	S.CER C1608 JB 1H 102K-T	B	66.2/47.1
C202	4030007090	S.CER C1608 CH 1H 470J-T	T	43.7/26.2
C203	4030007090	S.CER C1608 CH 1H 470J-T	B	35.1/31.5
C204	4030009520	S.CER C1608 CH 1H 020B-T	T	54.8/27.6
C205	4030009510	S.CER C1608 CH 1H 010B-T	T	54/30.2
C206	4030009520	S.CER C1608 CH 1H 020B-T	T	55.4/30.2
C207	4030009510	S.CER C1608 CH 1H 010B-T	T	52.1/29.5
C208	4030011770	S.CER C1608 CH 1H 060B-T	T	50.2/30.2
C209	4030009510	S.CER C1608 CH 1H 010B-T	T	48.3/29.5
C210	4030007030	S.CER C1608 CH 1H 150J-T	T	47.5/31.4
C212	4030009510	S.CER C1608 CH 1H 010B-T	T	53.7/40.6
C213	4030009350	S.CER C1608 CH 1H 3R5B-T	T	52.9/43.9
C215	4030009510	S.CER C1608 CH 1H 010B-T	T	52.2/42
C216	4030007010	S.CER C1608 CH 1H 100D-T	T	51.4/43.9
C218	4030009540	S.CER C1608 CH 1H 1R5B-T	T	49.9/41.7
C219	4030006850	S.CER C1608 JB 1H 471K-T	B	36.4/31.5
C220	4030009520	S.CER C1608 CH 1H 020B-T	T	35.6/31.6
C221	4030009550	S.CER C1608 CH 1H 2R5B-T	T	45.6/30.6
C222	4030009520	S.CER C1608 CH 1H 020B-T	T	41/33.9
C223	4030009520	S.CER C1608 CH 1H 020B-T	T	42.6/33.9
C224	4030009520	S.CER C1608 CH 1H 020B-T	T	39.4/33.9
C225	4030007130	S.CER C1608 CH 1H 101J-T	B	44.7/40.7
C228	4030009520	S.CER C1608 CH 1H 020B-T	T	43.6/44.6
C229	4030009510	S.CER C1608 CH 1H 010B-T	T	33.7/32.4
C230	4030009500	S.CER C1608 CH 1H 0R5B-T	T	33.7/29.6
C231	4030009510	S.CER C1608 CH 1H 010B-T	T	32.4/32.4
C232	4030009560	S.CER C1608 CH 1H R75B-T	T	31.6/29
C233	4030009500	S.CER C1608 CH 1H 0R5B-T	T	30.9/32.5
C234	4030009500	S.CER C1608 CH 1H 0R5B-T	T	29.4/32.5
C235	4030009500	S.CER C1608 CH 1H 0R5B-T	T	30.1/27.7
C238	4030009570	S.CER C1608 CH 1H 0R3B-T	T	42.9/46.6
C239	4030009500	S.CER C1608 CH 1H 0R5B-T	T	41.5/46.6
C240	4030009500	S.CER C1608 CH 1H 0R5B-T	T	40.3/46.6
C241	4030009570	S.CER C1608 CH 1H 0R3B-T	T	39.5/43.3
C242	4030009500	S.CER C1608 CH 1H 0R5B-T	T	27.2/29.6
C243	4030009500	S.CER C1608 CH 1H 0R5B-T	T	26/29.6
C244	4030006860	S.CER C1608 JB 1H 102K-T	B	22.2/46.4
C246	4030009500	S.CER C1608 CH 1H 0R5B-T	T	39.1/46.6
C249	4030006860	S.CER C1608 JB 1H 102K-T	T	37.8/26.7
C250	4030006860	S.CER C1608 JB 1H 102K-T	T	44.8/40.5

[ANT UNIT]

REF NO.	ORDER NO.	DESCRIPTION	M.	H/V LOCATION
C251	4030009510	S.CER C1608 CH 1H 010B-T	T	46.1/33.3
C252	4030009520	S.CER C1608 CH 1H 020B-T	T	36.3/33.9
C253	4030007090	S.CER C1608 CH 1H 470J-T	B	38/39.7
C256	4030007130	S.CER C1608 CH 1H 101J-T	T	33.9/45.1
C257	4030006860	S.CER C1608 JB 1H 102K-T	T	35.7/41
C258	4030007130	S.CER C1608 CH 1H 101J-T	T	37.1/41
C259	4030009570	S.CER C1608 CH 1H 0R3B-T	T	55.9/39.8
C260	4030009520	S.CER C1608 CH 1H 020B-T	T	52.1/41.8
C261	4030009540	S.CER C1608 CH 1H 1R5B-T	T	54.4/43.7
C262	4030009530	S.CER C1608 CH 1H 030B-T	T	49.2/44.7
C263	4030007130	S.CER C1608 CH 1H 101J-T	T	47.9/41.6
C264	4030009570	S.CER C1608 CH 1H 0R3B-T	T	37.9/46.6
C265	4030009530	S.CER C1608 CH 1H 030B-T	T	36.2/44.5
C266	4030009540	S.CER C1608 CH 1H 1R5B-T	T	30.8/41
C267	4030009540	S.CER C1608 CH 1H 1R5B-T	T	30.8/44
C268	4030009510	S.CER C1608 CH 1H 010B-T	T	29.2/42.5
C269	4030009560	S.CER C1608 CH 1H R75B-T	T	28/45.4
C270	4030009510	S.CER C1608 CH 1H 010B-T	T	29.2/45.4
C271	4030009560	S.CER C1608 CH 1H R75B-T	T	27.3/43.2
C272	4030009920	S.CER C1608 CH 1H 050B-T	T	26.5/45.2
C273	4030009560	S.CER C1608 CH 1H R75B-T	T	26.5/41.3
C501	4030006860	S.CER C1608 JB 1H 102K-T	B	151.3/24.7
C502	4030007100	S.CER C1608 CH 1H 560J-T	T	153.9/28.1
C504	4030007100	S.CER C1608 CH 1H 560J-T	T	156.5/28.1
C506	4030007130	S.CER C1608 CH 1H 101J-T	T	158.5/27.3
C508	4030007130	S.CER C1608 CH 1H 101J-T	T	151/28.1
C521	4030009920	S.CER C1608 CH 1H 120J-T	B	154.6/40.2
C522	4030007020	S.CER C1608 CH 1H 120J-T	B	153.4/40.9
C523	4030007020	S.CER C1608 CH 1H 120J-T	B	151.8/40.9
C524	4030007020	S.CER C1608 CH 1H 120J-T	B	150.6/40.9
C525	4030009540	S.CER C1608 CH 1H 1R5B-T	B	142.1/44.8
C526	4030009520	S.CER C1608 CH 1H 020B-T	B	140.9/39.2
C601	4030006860	S.CER C1608 JB 1H 102K-T	T	156.1/24.9
C602	4030006860	S.CER C1608 JB 1H 102K-T	T	161/25.4
C603	4030017810	S.CER C1608 CH 1H 102J-T	T	161/23.3
C604	4030006900	S.CER C1608 JB 1H 103K-T	T	161/22.1
C605	4030006900	S.CER C1608 JB 1H 103K-T	T	157.8/20.3
C606	4030017810	S.CER C1608 CH 1H 102J-T	T	156.5/20.3
C607	4030006900	S.CER C1608 JB 1H 103K-T	T	161/17.2
C608	4030017810	S.CER C1608 CH 1H 102J-T	T	161/18.4
C609	4030006860	S.CER C1608 JB 1H 102K-T	T	156/16.4
C610	4030006860	S.CER C1608 JB 1H 102K-T	T	161.7/15.4
C611	4030017810	S.CER C1608 CH 1H 102J-T	T	155.7/13.1
C612	4030006900	S.CER C1608 JB 1H 103K-T	T	155.7/14.3
C701	4030006860	S.CER C1608 JB 1H 102K-T	T	152.9/13.7
C702	4030006860	S.CER C1608 JB 1H 102K-T	T	153.6/8.2
C703	4030006900	S.CER C1608 JB 1H 103K-T	T	151.8/9
C704	4030017810	S.CER C1608 CH 1H 102J-T	T	150.6/9
C705	4030006900	S.CER C1608 JB 1H 103K-T	T	148.8/12.3
C706	4030017810	S.CER C1608 CH 1H 102J-T	T	148.8/13.5
C707	4030006900	S.CER C1608 JB 1H 103K-T	T	146.9/9
C708	4030017810	S.CER C1608 CH 1H 102J-T	T	145.7/9
C709	4030006860	S.CER C1608 JB 1H 102K-T	T	144.7/14
C710	4030006860	S.CER C1608 JB 1H 102K-T	T	143.9/8.2
C711	4030017810	S.CER C1608 CH 1H 102J-T	T	142.1/10.4
C712	4030006900	S.CER C1608 JB 1H 103K-T	T	142.1/11.6
C801	4030006860	S.CER C1608 JB 1H 102K-T	T	141.2/8
C802	4030006860	S.CER C1608 JB 1H 102K-T	T	140.1/13.5
C803	4030017810	S.CER C1608 CH 1H 102J-T	T	127.8/8
C804	4030006900	S.CER C1608 JB 1H 103K-T	T	127.8/6.7
C805	4030006900	S.CER C1608 JB 1H 103K-T	T	111.6/19.9
C806	4030017810	S.CER C1608 CH 1H 102J-T	T	110.3/19.9
C807	4030006900	S.CER C1608 JB 1H 103K-T	T	127.8/12.3
C808	4030017810	S.CER C1608 CH 1H 102J-T	T	127.8/10.9
C809	4030006860	S.CER C1608 JB 1H 102K-T	T	114.8/3
C810	4030006900	S.CER C1608 JB 1H 103K-T	T	112.9/2.7
C812	4030006860	S.CER C1608 JB 1H 102K-T	T	102.7/18
C813	4030006860	S.CER C1608 JB 1H 102K-T	T	106.4/22.2
C814	4030017810	S.CER C1608 CH 1H 102J-T	T	101.7/20.6
C815	4030006900	S.CER C1608 JB 1H 103K-T	T	102.9/20.6
C816	4030006900	S.CER C1608 JB 1H 103K-T	T	115.3/14.9
C817	4030006860	S.CER C1608 JB 1H 102K-T	T	111.4/19
C819	4030006900	S.CER C1608 JB 1H 103K-T	T	110.8/6.8
C820	4030017810	S.CER C1608 CH 1H 102J-T	T	110.8/8.1
C821	4030017810	S.CER C1608 CH 1H 102J-T	T</	

[ANT UNIT]

REF NO.	ORDER NO.	DESCRIPTION	M.	H/V LOCATION
J2	6510023480	S.CNR AYU1-1P-02676-120-TF	T	6/43.3
J3	6510023480	S.CNR AYU1-1P-02676-120-TF	T	102.8/24.2
J1001	6510019981	S.CNR 52808-1671 (1690)	T	17.5/15.1
EP801	6910014730	S.BEA MPZ2012S331A-T	B	103.5/8
EP1001	6910015970	S.BEA MMZ1608B 301CT-AS	T	22.3/20.8
EP1002	6910015970	S.BEA MMZ1608B 301CT-AS	T	22.3/19.6
EP1003	6910015970	S.BEA MMZ1608B 301CT-AS	T	22.3/18.4
EP1004	6910014730	S.BEA MPZ2012S331A-T	T	22/16.9
EP1005	6910015970	S.BEA MMZ1608B 301CT-AS	T	22.3/15.3
EP1006	6910015970	S.BEA MMZ1608B 301CT-AS	T	22.3/14.1
EP1007	6910015970	S.BEA MMZ1608B 301CT-AS	T	22.3/12.9
EP1008	6910015970	S.BEA MMZ1608B 301CT-AS	T	22.3/11.7
EP1009	6910015970	S.BEA MMZ1608B 301CT-AS	T	22.3/10.5
EP1010	6910015970	S.BEA MMZ1608B 301CT-AS	T	22.3/9.3
EP1101	6910015970	S.BEA MMZ1608B 301CT-AS	B	28.3/21.1
EP1102	6910015970	S.BEA MMZ1608B 301CT-AS	T	26/18.9
EP1103	6910015970	S.BEA MMZ1608B 301CT-AS	T	26.7/18.2
EP1104	6910014730	S.BEA MPZ2012S331A-T	T	28.3/16.9
EP1105	6910015970	S.BEA MMZ1608B 301CT-AS	T	26.1/15.3
EP1106	6910015970	S.BEA MMZ1608B 301CT-AS	T	26/14.1
EP1107	6910015970	S.BEA MMZ1608B 301CT-AS	T	26/12.9
EP1108	6910015970	S.BEA MMZ1608B 301CT-AS	T	26/11.7
EP1109	6910015970	S.BEA MMZ1608B 301CT-AS	T	26/10.5
EP1110	6910015970	S.BEA MMZ1608B 301CT-AS	B	26/9.3
EP1201	6910014730	S.BEA MPZ2012S331A-T	T	29.6/16.5

[VCO-A BOARD]

REF NO.	ORDER NO.	DESCRIPTION	M.	H/V LOCATION
Q1301	1560000491	S.FET 2SK508-T2B-A K52	T	5.3/9.7
Q1302	1530003550	S.TR 2SC5193-T1	T	8/18.4
Q1303	1530002060	S.TR 2SC4081 T106 R	B	6.5/16.1
D1301	1720000261	S.VCP 1SV214 (TPH2,F)	T	33.7/10.1
D1302	1720000261	S.VCP 1SV214 (TPH2,F)	T	33.7/17.5
D1303	1720000261	S.VCP 1SV214 (TPH2,F)	T	33.7/11.8
D1304	1720000261	S.VCP 1SV214 (TPH2,F)	T	33.7/19.3
D1307	1790001621	S.DIO 1SV308 (TPL3,F)	T	2.3/26.7
D1308	1790001621	S.DIO 1SV308 (TPL3,F)	T	1.4/24.9
L1301	6200010780	S.COL C2520C-1R0G-A	T	2.2/31.4
L1301	6200010740	S.COL C2520C-R27G-A	T	35.7/5
L1302	6200010740	S.COL C2520C-R27G-A	T	34/14.3
L1303	6200010740	S.COL C2520C-R27G-A	T	34.3/21.7
L1304	6200010740	S.COL C2520C-R27G-A	T	6/12.9
L1305	6200002041	S.COL NLV25T-101J	T	2.3/13.6
L1306	6200010780	S.COL C2520C-1R0G-A	T	8/28.7
R1301	7030003460	S.RES ERJ3GEYJ 152 V (1.5 k)	T	3.1/35.2
R1011	7030009961	S.RES ERA3YED 221V (220)	T	38/6.8
R1302	7030003310	S.RES ERJ3GEYJ 820 V (82)	T	5.2/15.2
R1303	7030003440	S.RES ERJ3GEYJ 102 V (1 k)	B	5.9/13.8
R1304	7030003510	S.RES ERJ3GEYJ 392 V (3.9 k)	T	8/16.5
R1305	7030003460	S.RES ERJ3GEYJ 152 V (1.5 k)	T	8/15.2
R1306	7030003320	S.RES ERJ3GEYJ 101 V (100)	T	8/20.3
R1307	7030003320	S.RES ERJ3GEYJ 101 V (100)	T	7.2/25.1
R1308	7030003240	S.RES ERJ3GEYJ 220 V (22)	T	9.3/24.5
C1301	4030017810	S.CER C1608 CH 1H 102J-T	T	2.2/28.2
C1301	4030011340	S.CER C1608 CH 1H 471J-T	T	40.4/7
C1302	4550003250	S.TAN TEESVA 1V 474M8R	T	39.6/3.8
C1303	4030007010	S.CER C1608 CH 1H 100D-T	T	31.2/14.3
		except [EUR], [UK]	T	31.2/14.3
		[EUR], [UK]	T	2.3/10.6
C1304	4030011340	S.CER C1608 CH 1H 471J-T	T	2.3/9.3
C1305	4030011340	S.CER C1608 CH 1H 471J-T	T	7.6/9.9
C1306	4030009530	S.CER C1608 CH 1H 030B-T	T	2.3/7.9
C1307	4030009530	S.CER C1608 CH 1H 030B-T	T	8.8/13
C1308	4030009510	S.CER C1608 CH 1H 010B-T	T	8.3/19.8
C1309	4550007860	S.TAN TMCMB1C336MTR	B	8/21.6
C1310	4030017810	S.CER C1608 CH 1H 102J-T	T	8/22.9
C1311	4030011600	S.CER C1608 JB 1E 104K-T	T	9.3/25.8
C1312	4030017810	S.CER C1608 CH 1H 102J-T	T	8/32.7
C1313	4030017810	S.CER C1608 CH 1H 102J-T	T	8.5/13.9
C1314	4030017490	S.CER C1608 JB 1A 105K-T	B	
J1302	6910003841	CNR IMSA-9230B-1-052003-PT1		
J1304	6910003851	CNR IMSA-9230B-1-062003-PT1		

[VCO-B BOARD]

REF NO.	ORDER NO.	DESCRIPTION	M.	H/V LOCATION
Q1201	1560000491	S.FET 2SK508-T2B-A K52	T	5.3/9.7
Q1202	1530003550	S.TR 2SC5193-T1	T	8/18.4
Q1203	1530002060	S.TR 2SC4081 T106 R	B	6.5/15.8
D1201	1720000261	S.VCP 1SV214 (TPH2,F)	T	32.8/9.1
D1202	1720000261	S.VCP 1SV214 (TPH2,F)	T	32.8/15.8
D1203	1720000261	S.VCP 1SV214 (TPH2,F)	T	31.9/1.1
D1204	1720000261	S.VCP 1SV214 (TPH2,F)	T	31/15.8
D1205	1720000261	S.VCP 1SV214 (TPH2,F)	T	29.3/9.1
D1206	1720000261	S.VCP 1SV214 (TPH2,F)	T	29.3/15.8
D1207	1750000581	S.DIO 1SV307 (TPH3,F)	T	2.5/25
D1208	1750000581	S.DIO 1SV307 (TPH3,F)	T	1.4/27.4
L1201	6200010780	S.COL C2520C-1R0G-A	T	35.9/6.6
L1202	6200010870	S.COL C2520C-R33G-A (0.33U)	T	34/12.5
L1204	6200010780	S.COL C2520C-1R0G-A	T	6/13
L1205	6200002041	S.COL NLV25T-101J	T	2.3/13.6
L1206	6200010780	S.COL C2520C-1R0G-A	T	8/28.7
R1202	7030003380	S.RES ERJ3GEYJ 331 V (330)	T	5.2/15.3
R1203	7030003440	S.RES ERJ3GEYJ 102 V (1 k)	B	5.8/13.6
R1204	7030003510	S.RES ERJ3GEYJ 392 V (3.9 k)	T	8/16.5
R1205	7030003460	S.RES ERJ3GEYJ 152 V (1.5 k)	T	8/15.3
R1206	7030003320	S.RES ERJ3GEYJ 101 V (100)	T	8/20.3
R1207	7030003320	S.RES ERJ3GEYJ 101 V (100)	T	7.2/24.9
R1208	7030003240	S.RES ERJ3GEYJ 220 V (22)	T	9.3/24.4
C1201	4030011340	S.CER C1608 CH 1H 471J-T	T	37.6/10
C1204	4030011340	S.CER C1608 CH 1H 471J-T	T	2.3/10.6
C1205	4030011340	S.CER C1608 CH 1H 471J-T	T	2.9/8.5
C1206	4030009350	S.CER C1608 CH 1H 3R5B-T	T	7.6/9.9
C1207	4030009910	S.CER C1608 CH 1H 040B-T	T	4.3/7
C1208	4030009510	S.CER C1608 CH 1H 010B-T	T	8.8/13
C1209	4550007860	S.TAN TMCMB1C336MTR	B	8.6/19.4
C1210	4030017810	S.CER C1608 CH 1H 102J-T	T	8/21.6
C1211	4030011600	S.CER C1608 JB 1E 104K-T	T	8/22.9
C1212	4030017810	S.CER C1608 CH 1H 102J-T	T	9.3/25.8
C1213	4030017810	S.CER C1608 CH 1H 102J-T	T	8/31.7
C1214	4030017490	S.CER C1608 JB 1A 105K-T	B	8.6/13.8
J1202	6910003831	CNR IMSA-9230B-1-042003-PT1		
J1204	6910003841	CNR IMSA-9230B-1-052003-PT1		

[VCO-C BOARD]

REF NO.	ORDER NO.	DESCRIPTION	M.	H/V LOCATION
Q1101	1560000491	S.FET 2SK508-T2B-A K52	T	5.3/9.7
Q1102	1530003550	S.TR 2SC5193-T1	T	8/18.4
Q1103	1530002060	S.TR 2SC4081 T106 R	B	6.3/16.1
D1101	1720000801	S.VCP 1SV290 (TPH3,F)	T	33.2/9.6
D1102	1720000801	S.VCP 1SV290 (TPH3,F)	T	33/15.5
D1103	1720000801	S.VCP 1SV290 (TPH3,F)	T	32/9.6
D1104	1720000801	S.VCP 1SV290 (TPH3,F)	T	31.8/15.5
D1105	1720000801	S.VCP 1SV290 (TPH3,F)	T	30.8/9.6
D1106	1720000801	S.VCP 1SV290 (TPH3,F)	T	30.6/15.5
L1101	6200010960	S.COL C2520C-R47G-A (0.47U)	T	35.9/6.6
L1102	6200010960	S.COL C2520C-R47G-A (0.47U)	T	34/12.5
L1104	6200010780	S.COL C2520C-1R0G-A	T	6/13
L1105	6200002041	S.COL NLV25T-101J	T	2.3/13.6
L1106	6200010780	S.COL C2520C-1R0G-A	T	8/28.7
R1102	7030003380	S.RES ERJ3GEYJ 331 V (330)	T	5.2/15.3
R1103	7030003440	S.RES ERJ3GEYJ 102 V (1 k)	B	6.2/13.7
R1104	7030003510	S.RES ERJ3GEYJ 392 V (3.9 k)	T	8/16.5
R1105	7030003460	S.RES ERJ3GEYJ 152 V (1.5 k)	T	8/15.3
R1106	7030003320	S.RES ERJ3GEYJ 101 V (100)	T	8/20.3
R1107	7030003320	S.RES ERJ3GEYJ 101 V (100)	T	7.2/24.9
R1108	7030003240	S.RES ERJ3GEYJ 220 V (22)	T	9.3/24.3
C1101	4030011340	S.CER C1608 CH 1H 471J-T	T	36.1/10
C1104	4030011340	S.CER C1608 CH 1H 471J-T	T	2.3/10.6
C1105	4030011340	S.CER C1608 CH 1H 471J-T	T	2.9/8.5
C1106	4030007010	S.CER C1608 CH 1H 100D-T	T	7.6/9.9
C1107	4030011770	S.CER C1608 CH 1H 060B-T	T	4.3/7
C1108	4030009510	S.CER C1608 CH 1H 010B-T	T	8.8/13
C1109	4550007860	S.TAN TMCMB1C336MTR	B	8.3/19.5
C1110	4030017810	S.CER C1608 CH 1H 102J-T	T	8/21.6
C1111	4030011600	S.CER C1608 JB 1E 104K-T	T	8/22.9
C1112	4030017810	S.CER C1608 CH 1H 102J-T	T	9.3/25.8
C1113	4030017810	S.CER C1608 CH 1H 102J-T	T	8/31.7
C1114	4030017490	S.CER C1608 JB 1A 105K-T	B	8.8/13.7
C1115	4030007010	S.CER C1608 CH 1H 100D-T	T	29.6/9.5
C1116	4030007010	S.CER C1608 CH 1H 100D-T	T	29.4/15.5
J1102	6910003821	CNR IMSA-9230B-1-032003-PT1		
J1104	6910003831	CNR IMSA-9230B-1-042003-PT1		

M.=Mounted side (T: Mounted on the Top side B: Mounted on the Bottom side) S.=Surface mount

[LOGIC-A UNIT] (For [USA])

REF NO.	ORDER NO.	DESCRIPTION	M.	H/V LOCATION
IC1	1130014630	S.IC MT48LC16M16A2P-75 IT:D	B	74/106.9
IC2	1130014630	S.IC MT48LC16M16A2P-75 IT:D	T	74/114
IC51	1130011591	S.IC IDT70V24L15PFG	B	110.2/71
IC52	1140009781	S.IC XC9572XL-10TQG100C	B	131.2/71
IC53	1110005821	S.IC R3112N281A-TR-F	T	160.2/52
IC54	1130007431	S.IC TC7S14FU(TE85R,F)	T	164.5/51.8
IC55	1130008041	S.IC TC7SH04FU(TE85L,JF)	T	112.6/49.4
IC101	1130011010	S.IC SN74CBTLV3257PWR <ACE>	T	39.9/90.3
IC102	1130006441	S.IC TC7S08F(TE85R,F)	T	76.7/54
IC103	1140011561	S.IC HD6417751RBP200V	T	68.2/79.9
IC104	1130008361	S.IC TC7SHU04FU(TE85L,JF)	T	24.1/75.9
IC105	1130013700	S.IC CY2292FXC (RX-2844H)	T	27.3/84
IC106	1130011110	S.IC TC74VCX04FT(EL)	T	24.7/93.6
IC201	1130014630	S.IC MT48LC16M16A2P-75 IT:D	B	142.7/92.3
IC202	1130014630	S.IC MT48LC16M16A2P-75 IT:D	B	142.8/110.5
IC203	1140011571	S.IC HD64404BTDV	T	112.1/93.4
IC204	1140011581	S.IC ADV7123KSTZ50	B	116.7/134.5
IC205	1130011941	S.IC TC7SZ04F(TE85L,F)	T	111.2/139.8
IC206	1130012150	S.IC SN74A0CT04PWR	B	165.5/94.4
IC207	1130005721	S.IC TC7W04F(TE12L,F)	B	15/67
IC208	1130011951	S.IC UPD16875G-E1-A	B	8.2/67
IC209	1190001920	S.IC AK5355-VT-E2	B	86.7/126.2
IC211	1190001910	S.IC AK4384-VT-E2	B	86.7/133.2
IC212	1130013830	S.IC TC7SA34FU(TE85L,F)	B	106.9/122.1
IC401	1130010970	S.IC PCI1410APGE	B	38.2/63.5
IC402	1130011960	S.IC TP52211AIDBR	B	36.5/46.2
IC403	1130009570	S.IC BR93LC46F-WE2	T	38.9/81.8
IC404	1130010990	S.IC RTL8139C+ <GMI>	B	37.7/91.5
IC405	1130013830	S.IC TC7SA34FU(TE85L,F)	T	39.1/56.7
IC601	1130012781	S.IC SN74AHC2G04HDCT3	B	53.6/36.6
IC604	1140011590	S.IC HD64F2377V7FQ33V (EMPTY)	B	101.7/45.5
IC605	1140009781	S.IC XC9572XL-10TQG100C	B	155.7/72
IC607	1130006441	S.IC TC7S08F(TE85R,F)	B	74.3/37.6
IC608	1130006441	S.IC TC7S08F(TE85R,F)	B	78/37.6
IC609	1130005252	S.IC TC74HC08AF(EL,F)	B	74.7/44.8
IC610	1130015080	S.IC R1EX24512ASAS0A	B	64.7/50
IC801	1180001251	S.IC TA7808F(TE16L,Q)	B	176.5/150.4
IC802	1180001071	S.IC TA7805F(TE16L,Q)	B	190.5/138
IC803	1180001071	S.IC TA7805F(TE16L,Q)	B	23.8/5.2
IC804	1180002020	S.REG BA033FP-E2	B	182.1/38.2
IC805	1180002601	S.REG TA48015F(TE16LI,NQ)	B	15.7/15
IC806	1180001071	S.IC TA7805F(TE16L,Q)	B	50.8/147.3
IC855	1190002140	S.IC SAA7115HLV1	T	136.3/136.1
IC856	1190002150	S.IC SAA7105HV1	B	140.5/35.3
IC923	1130012000	S.IC M62352AGP C60Q	T	17/132.9
IC1001	1110003870	S.IC NJM2058M-TE1-#ZZZB	B	29.3/127.5
IC1031	1110005080	S.IC NJM2246M-TE1-#ZZZB	T	164.3/131.3
Q601	1530002060	S.TRA 2SC4081 T106 R	B	48.2/37.8
Q602	1510000510	S.TRA 2SA1576A T106R	B	48.2/33.7
Q1031	1530002060	S.TRA 2SC4081 T106 R	T	171.5/137.1
Q1032	1590003930	S.TRA UMD22N TR	T	37.3/24.4
D201	1790000980	S.DIO MA742(TX)	B	116.7/144.5
D202	1790000980	S.DIO MA742(TX)	B	116.7/147.7
D203	1790000980	S.DIO MA742(TX)	B	116.6/150.6
D204	1790000980	S.DIO MA742(TX)	B	174.6/102.5
D205	1790000980	S.DIO MA742(TX)	B	174.6/99.7
D206	1790000980	S.DIO MA742(TX)	B	27.3/36.4
D207	1790000980	S.DIO MA742(TX)	B	27.3/33.9
D601	1750000550	S.DIO 1SS355 TE-17	B	45.8/37
D653	1750000550	S.DIO 1SS355 TE-17	T	159.9/82.2
D657	1750000550	S.DIO 1SS355 TE-17	T	150.9/82.2
X101	6050011610	S.XTA CR-751 SMD-49 25.000MHZ	T	17.6/78.1
X201	6050010680	S.XTA CR-628 SMD-49 24.576MHZ	T	119.6/109.6
X202	6050011910	S.XTA CR-780 DSX530G 48MHZ	T	115.2/76.7
X601	6050011810	S.XTA CR-755 SMD-49 15.9744MHZ	T	96.6/28.6
L101	6200004940	S.COI MLF1608D R27K-T	T	19.8/92.2
L102	6200004940	S.COI MLF1608D R27K-T	T	22.1/97
L103	6200004940	S.COI MLF1608D R27K-T	T	29.6/94
L203	6200002631	S.COI NLV25T-R10J	B	120.2/145.8
L204	6200002631	S.COI NLV25T-R10J	B	120.2/152.2
L205	6200002631	S.COI NLV25T-R10J	B	113/150
L380	6200004961	S.COI NLV25T-R33J	T	109.5/120.8
L381	6200004961	S.COI NLV25T-R33J	T	106.6/123
L382	6200004961	S.COI NLV25T-R33J	B	103.8/118.3
L383	6200004961	S.COI NLV25T-R33J	B	100.4/118.3
L561	6200003091	S.COI NLV32T-2R7J	B	157.6/34
L562	6200003091	S.COI NLV32T-2R7J	B	157.7/39.8
L826	6180003321	S.COI SLF6028T-150M1R0-PF	T	178.8/77.5
L901	6200003241	S.COI NLV32T-221J	B	5/104.7
L962	6200002041	S.COI NLV25T-101J	T	29.1/11.3
R1	7030003520	S.RES ERJ3GEYJ 472 V (4.7K)	T	106.3/116.3
R2	7030003560	S.RES ERJ3GEYJ 103 V (10K)	T	107.6/116.3
R51	7030003520	S.RES ERJ3GEYJ 472 V (4.7K)	T	164/102.4
R52	7030003560	S.RES ERJ3GEYJ 103 V (10K)	T	156.6/51.8
R59	7030003260	S.RES ERJ3GEYJ 330 V (33)	T	136.2/73.4
R101	7030003680	S.RES ERJ3GEYJ 104 V (100K)	T	34/90.2
R102	7030003520	S.RES ERJ3GEYJ 472 V (4.7K)	T	45.7/88.7
R103	7030003520	S.RES ERJ3GEYJ 472 V (4.7K)	T	45.7/90.7
R104	7030003520	S.RES ERJ3GEYJ 472 V (4.7K)	T	34.5/88.3
R105	7030003520	S.RES ERJ3GEYJ 472 V (4.7K)	T	34/91.5
R106	7030003560	S.RES ERJ3GEYJ 103 V (10K)	B	69.3/75.1
R107	7030003560	S.RES ERJ3GEYJ 103 V (10K)	B	64.1/75.1
R108	7030003560	S.RES ERJ3GEYJ 103 V (10K)	B	63.1/64.5
R109	7030003560	S.RES ERJ3GEYJ 103 V (10K)	B	66.7/73.8
R110	7030003560	S.RES ERJ3GEYJ 103 V (10K)	T	69.6/64.3
R111	7030003560	S.RES ERJ3GEYJ 103 V (10K)	B	69.3/73.8
R112	7030003560	S.RES ERJ3GEYJ 103 V (10K)	T	68.3/64.3
R113	7030003560	S.RES ERJ3GEYJ 103 V (10K)	B	64.1/73.8
R114	7030003560	S.RES ERJ3GEYJ 103 V (10K)	B	60.5/64.5
R115	7030003560	S.RES ERJ3GEYJ 103 V (10K)	B	64.1/77.7
R116	7030003560	S.RES ERJ3GEYJ 103 V (10K)	B	64.1/76.4
R117	7030003260	S.RES ERJ3GEYJ 330 V (33)	B	57.9/64.5
R118	7030003560	S.RES ERJ3GEYJ 103 V (10K)	B	64.1/79
R119	7030003560	S.RES ERJ3GEYJ 103 V (10K)	B	55.9/65
R120	7030003560	S.RES ERJ3GEYJ 103 V (10K)	B	64.1/80.3
R121	7030003560	S.RES ERJ3GEYJ 103 V (10K)	B	57.9/61.9
R122	7030003560	S.RES ERJ3GEYJ 103 V (10K)	B	54/71
R123	7030003560	S.RES ERJ3GEYJ 103 V (10K)	B	57.9/60.6
R124	7030003680	S.RES ERJ3GEYJ 104 V (100K)	T	65.7/64.3
R125	7030003520	S.RES ERJ3GEYJ 472 V (4.7K)	T	67/64.3
R126	7030003560	S.RES ERJ3GEYJ 103 V (10K)	B	66.7/76.4
R127	7030003560	S.RES ERJ3GEYJ 103 V (10K)	B	66.7/75.1
R128	7030003560	S.RES ERJ3GEYJ 103 V (10K)	T	68.3/60.7
R129	7030003560	S.RES ERJ3GEYJ 103 V (10K)	T	69.6/61.7
R130	7030003560	S.RES ERJ3GEYJ 103 V (10K)	B	71.1/65.5
R131	7030003560	S.RES ERJ3GEYJ 103 V (10K)	B	69.3/76.4
R132	7030003560	S.RES ERJ3GEYJ 103 V (10K)	T	70.9/64.3
R133	7030003560	S.RES ERJ3GEYJ 103 V (10K)	T	70.9/61.7
R134	7030003200	S.RES ERJ3GEYJ 100 V (10)	B	71.9/73.8
R135	7030003200	S.RES ERJ3GEYJ 100 V (10)	B	71.9/75.1
R136	7030003200	S.RES ERJ3GEYJ 100 V (10)	B	84.8/65.5
R137	7030004050	S.RES ERJ3GEYJ 1R0 V (1)	B	64.1/83
R138	7030003560	S.RES ERJ3GEYJ 103 V (10K)	B	64.1/84.3
R139	7030003560	S.RES ERJ3GEYJ 103 V (10K)	B	64.4/93
R140	7410000990	S.ARR EXB-V8V 470JV (47)	T	61.7/97.7
R141	7410000990	S.ARR EXB-V8V 470JV (47)	T	58/97.7
R142	7410000990	S.ARR EXB-V8V 470JV (47)	T	69.1/97.7
R143	7410000990	S.ARR EXB-V8V 470JV (47)	T	76.5/97.7
R144	7410000990	S.ARR EXB-V8V 470JV (47)	T	65.4/97.7
R145	7410000990	S.ARR EXB-V8V 470JV (47)	T	72.8/97.7
R146	7030003280	S.RES ERJ3GEYJ 470 V (47)	T	84.7/96.7
R147	7030003280	S.RES ERJ3GEYJ 470 V (47)	T	84.7/95.4
R148	7410000990	S.ARR EXB-V8V 470JV (47)	T	80.2/97.7
R149	7410000990	S.ARR EXB-V8V 470JV (47)	T	84.7/69.9
R150	7410000990	S.ARR EXB-V8V 470JV (47)	T	84.7/73.6
R151	7410000990	S.ARR EXB-V8V 470JV (47)	T	84.7/77.3
R152	7410000990	S.ARR EXB-V8V 470JV (47)	T	84.7/81
R153	7030003200	S.RES ERJ3GEYJ 100 V (10)	T	84.7/98
R154	7410000990	S.ARR EXB-V8V 470JV (47)	T	84.7/84.7
R155	7410000990	S.ARR EXB-V8V 470JV (47)	T	84.7/88.4
R156	7410000990	S.ARR EXB-V8V 470JV (47)	T	84.7/92.9
R157	7410000800	S.ARR EXB-V8V 103JV (10K)	T	92.1/53.7
R158	7030003560	S.RES ERJ3GEYJ 103 V (10K)	T	91.4/49.8
R159	7030003560	S.RES ERJ3GEYJ 103 V (10K)	T	79/56.3
R161	7030003250	S.RES ERJ3GEYJ 270 V (27)	T	23.8/79.6
R162	7030003800	S.RES ERJ3GEYJ 105 V (1M)	T	20.9/76.7
R163	7030003320	S.RES ERJ3GEYJ 101 V (100)	T	27.2/90.2
R164	7030003250	S.RES ERJ3GEYJ 270 V (27)	B	25.5/83.3
R165	7030003340	S.RES ERJ3GEYJ 151 V (150)	T	21.5/73.5
R168	7030003430	S.RES ERJ3GEYJ 821 V (820)	T	33.2/81.3
R169	7030003330	S.RES ERJ3GEYJ 121 V (120)	T	34/84.2
R170	7030003600	S.RES ERJ3GEYJ 223 V (22K)	B	53.9/55.3
R171	7030003600	S.RES ERJ3GEYJ 223 V (22K)	B	50/90.2
R172	7030003600	S.RES ERJ3GEYJ 223 V (22K)	B	50/91.5
R173	7030003600	S.RES ERJ3GEYJ 223 V (22K)	B	53.3/92.3
R174	7030003600	S.RES ERJ3GEYJ 223 V (22K)	B	53.3/93.5
R175	7030003600	S.RES ERJ3GEYJ 223 V (22K)	B	53.3/95
R176	7030003600	S.RES ERJ3GEYJ 223 V (22K)	B	50/88.9
R201	7030003720	S.RES ERJ3GEYJ 224 V (220K)	T	128.2/109.9
R202	7030003720	S.RES ERJ3GEYJ 224 V (220K)	T	129.5/109.9
R203	7030003720	S.RES ERJ3GEYJ 224 V (220K)	T	130.8/109.9
R204	7030003720	S.RES ERJ3GEYJ 224 V (220K)	T	132.1/109.9
R205	7030003720	S.RES ERJ3GEYJ 224 V (220K)	T	133.4/109.9
R206	7030003720	S.RES ERJ3GEYJ 224 V (220K)	T	134.7/109.9
R207	7030003720	S.RES ERJ3GEYJ 224 V (220K)	T	136/109.9
R208	7030003720	S.RES ERJ3GEYJ 224 V (220K)	T	137.3/109.9
R209	7030003720	S.RES ERJ3GEYJ 224 V (220K)	T	129.2/100.6
R212	7030003640	S.RES ERJ3GEYJ 473 V (47K)	T	98.4/97.8
R213	7030003640	S.RES ERJ3GEYJ 473 V (47K)	T	98.4/99.1
R218	7030003520	S.RES ERJ3GEYJ 472 V (4.7K)	T	134.2/67.2
R219	7030003520	S.RES ERJ3GEYJ 472 V (4.7K)	T	99.2/94.4
R220	7030003520	S.RES ERJ3GEYJ 472 V (4.7K)	B	108.8/89.4
R221	7030003560	S.RES ERJ3GEYJ 103 V (10K)	T	98.4/88.7
R225	7030003560	S.RES ERJ3GEYJ 103 V (10K)	B	108.8/94.6
R226	7030003560	S.RES ERJ3GEYJ 103 V (10K)	B	108.8/95.9
R227	7030003560	S.RES ERJ3GEYJ 103 V (10K)	T	106.7/113.2
R228	7030003560	S.RES ERJ3GEYJ 103 V (10K)	T	106.7/110.2
R229	7030003560	S.RES ERJ3GEYJ 103 V (10K)	T	106.2/107.2
R230	7030003560	S.RES ERJ3GEYJ 103 V (10K)	T	108/110.2
R231	7030003560	S.RES ERJ3GEYJ 103 V (10K)	T	107.6/107.2
R232	7030003560	S.RES ERJ3GEYJ 103 V (10K)	B	108.1/98.2
R233	7030003560	S.RES ERJ3GEYJ 103 V (10K)	T	108/113.2
R234	7030003560	S.RES ERJ3GEYJ 103 V (10K)		

[LOGIC-A UNIT] (For [USA])

REF NO.	ORDER NO.	DESCRIPTION	M.	H/V LOCATION
R250	7030003560	S.RES ERJ3GEYJ 103 V (10K)	T	102.2/79.7
R251	7030003560	S.RES ERJ3GEYJ 103 V (10K)	T	104.8/76.6
R252	7030003560	S.RES ERJ3GEYJ 103 V (10K)	T	102.2/76.6
R253	7030003560	S.RES ERJ3GEYJ 103 V (10K)	T	98.9/90
R254	7030003560	S.RES ERJ3GEYJ 103 V (10K)	T	103.5/79.7
R255	7030003560	S.RES ERJ3GEYJ 103 V (10K)	T	100.9/76.6
R256	7030003560	S.RES ERJ3GEYJ 103 V (10K)	B	111.4/92
R257	7030003560	S.RES ERJ3GEYJ 103 V (10K)	T	107.4/79.7
R258	7030003560	S.RES ERJ3GEYJ 103 V (10K)	B	111.4/93.3
R259	7030003560	S.RES ERJ3GEYJ 103 V (10K)	T	107.4/76.6
R260	7030003560	S.RES ERJ3GEYJ 103 V (10K)	B	111.4/94.6
R261	7030003560	S.RES ERJ3GEYJ 103 V (10K)	T	108.7/76.6
R262	7030003560	S.RES ERJ3GEYJ 103 V (10K)	B	111.4/95.9
R263	7030003560	S.RES ERJ3GEYJ 103 V (10K)	B	108.7/81.6
R264	7030003560	S.RES ERJ3GEYJ 103 V (10K)	B	112.7/87.6
R265	7030003560	S.RES ERJ3GEYJ 103 V (10K)	T	107.4/74
R266	7030003560	S.RES ERJ3GEYJ 103 V (10K)	T	108.7/74
R267	7030003560	S.RES ERJ3GEYJ 103 V (10K)	T	110/79.7
R268	7030003560	S.RES ERJ3GEYJ 103 V (10K)	B	106.1/81.6
R269	7030003560	S.RES ERJ3GEYJ 103 V (10K)	T	108.7/79.7
R270	7030003560	S.RES ERJ3GEYJ 103 V (10K)	T	106.1/76.6
R271	7030003560	S.RES ERJ3GEYJ 103 V (10K)	T	106.1/74
R272	7030003560	S.RES ERJ3GEYJ 103 V (10K)	B	129.4/86.1
R273	7030003560	S.RES ERJ3GEYJ 103 V (10K)	T	128.7/83.2
R274	7030003560	S.RES ERJ3GEYJ 103 V (10K)	B	114.6/94.7
R275	7030003560	S.RES ERJ3GEYJ 103 V (10K)	T	125.7/84.5
R276	7030003560	S.RES ERJ3GEYJ 103 V (10K)	T	121.5/79.8
R277	7030003560	S.RES ERJ3GEYJ 103 V (10K)	T	128.7/81.9
R278	7030003560	S.RES ERJ3GEYJ 103 V (10K)	T	128.7/80.6
R279	7030003560	S.RES ERJ3GEYJ 103 V (10K)	B	114.6/96
R280	7030003560	S.RES ERJ3GEYJ 103 V (10K)	T	128.7/84.5
R281	7030003560	S.RES ERJ3GEYJ 103 V (10K)	B	115.3/90.2
R282	7030003560	S.RES ERJ3GEYJ 103 V (10K)	B	114/90.2
R283	7030003560	S.RES ERJ3GEYJ 103 V (10K)	B	119.2/80.8
R284	7030003560	S.RES ERJ3GEYJ 103 V (10K)	B	120.5/80.8
R285	7030003560	S.RES ERJ3GEYJ 103 V (10K)	B	114.6/93.4
R286	7030003560	S.RES ERJ3GEYJ 103 V (10K)	T	128.7/79.3
R287	7030003560	S.RES ERJ3GEYJ 103 V (10K)	T	118.9/79.8
R288	7030003560	S.RES ERJ3GEYJ 103 V (10K)	T	123.4/78.4
R289	7030003560	S.RES ERJ3GEYJ 103 V (10K)	T	117.6/79.8
R290	7030003560	S.RES ERJ3GEYJ 103 V (10K)	B	114.6/92
R291	7030003560	S.RES ERJ3GEYJ 103 V (10K)	T	120.2/79.8
R292	7030003560	S.RES ERJ3GEYJ 103 V (10K)	B	108.8/90.7
R293	7030003560	S.RES ERJ3GEYJ 103 V (10K)	B	108.8/92
R294	7030003560	S.RES ERJ3GEYJ 103 V (10K)	B	108.8/93.3
R295	7030003640	S.RES ERJ3GEYJ 473 V (47K)	B	111.4/90.7
R296	7030003560	S.RES ERJ3GEYJ 103 V (10K)	T	126/102.7
R299	7030003560	S.RES ERJ3GEYJ 103 V (10K)	T	126/105.3
R300	7030003560	S.RES ERJ3GEYJ 103 V (10K)	T	129.2/105.3
R301	7030003560	S.RES ERJ3GEYJ 103 V (10K)	T	133.2/105.4
R302	7030003560	S.RES ERJ3GEYJ 103 V (10K)	T	129.2/106.6
R305	7030003560	S.RES ERJ3GEYJ 103 V (10K)	T	126/104
R306	7030003560	S.RES ERJ3GEYJ 103 V (10K)	T	126/101.4
R307	7030003560	S.RES ERJ3GEYJ 103 V (10K)	T	129.2/102.2
R308	7030003560	S.RES ERJ3GEYJ 103 V (10K)	T	133.2/104.1
R309	7030003560	S.RES ERJ3GEYJ 103 V (10K)	T	129.2/103.5
R310	7030003560	S.RES ERJ3GEYJ 103 V (10K)	T	125.7/83.2
R311	7030003560	S.RES ERJ3GEYJ 103 V (10K)	B	130.8/86.1
R313	7030003410	S.RES ERJ3GEYJ 561 V (560)	B	123.2/136.5
R314	7030003340	S.RES ERJ3GEYJ 151 V (150)	B	119.8/141.3
R315	7030003340	S.RES ERJ3GEYJ 151 V (150)	B	119.8/142.6
R316	7030003340	S.RES ERJ3GEYJ 151 V (150)	B	119.8/147.7
R317	7030003340	S.RES ERJ3GEYJ 151 V (150)	B	119.8/149
R318	7030003340	S.RES ERJ3GEYJ 151 V (150)	B	113/145
R319	7030003340	S.RES ERJ3GEYJ 151 V (150)	B	113/146.3
R320	7030003240	S.RES ERJ3GEYJ 220 V (22)	B	171.1/102.5
R321	7030003240	S.RES ERJ3GEYJ 220 V (22)	B	171.1/99.7
R322	7030003250	S.RES ERJ3GEYJ 270 V (27)	T	2.2/66.2
R323	7030003250	S.RES ERJ3GEYJ 270 V (27)	T	9.4/65.3
R324	7030003580	S.RES ERJ3GEYJ 153 V (15K)	T	2.2/67.5
R325	7030003580	S.RES ERJ3GEYJ 153 V (15K)	T	9.4/66.6
R326	7030003250	S.RES ERJ3GEYJ 270 V (27)	T	20.1/66.8
R327	7030003250	S.RES ERJ3GEYJ 270 V (27)	T	20.1/69.5
R328	7030003580	S.RES ERJ3GEYJ 153 V (15K)	T	21.4/66.8
R329	7030003580	S.RES ERJ3GEYJ 153 V (15K)	T	21.4/69.5
R330	7030003560	S.RES ERJ3GEYJ 103 V (10K)	B	8.2/70.5
R331	7030003560	S.RES ERJ3GEYJ 103 V (10K)	B	8.2/63.5
R332	7030003640	S.RES ERJ3GEYJ 473 V (47K)	B	84.7/129.7
R333	7030003640	S.RES ERJ3GEYJ 473 V (47K)	B	92.7/125.9
R334	7030003640	S.RES ERJ3GEYJ 473 V (47K)	B	87.8/122.7
R335	7030003200	S.RES ERJ3GEYJ 100 V (10)	B	92/127.2
R340	7030003200	S.RES ERJ3GEYJ 100 V (10)	B	92/135.8
R341	7030003640	S.RES ERJ3GEYJ 473 V (47K)	B	92.7/133.3
R344	7030003520	S.RES ERJ3GEYJ 472 V (4.7K)	B	81.4/130.8
R350	7030003860	S.RES ERJ3GE JPW V	T	134.2/64
R351	7030003860	S.RES ERJ3GE JPW V	B	115.3/98.2
R353	7030003860	S.RES ERJ3GE JPW V	B	185.9/82.2
R355	7030003860	S.RES ERJ3GE JPW V	B	185.9/83.5
R356	7030003860	S.RES ERJ3GE JPW V	B	173.7/82.4
R361	7030003320	S.RES ERJ3GEYJ 101 V (100)	T	108.8/139
R371	7030003560	S.RES ERJ3GEYJ 103 V (10K)	T	112/113.2
R372	7030003560	S.RES ERJ3GEYJ 103 V (10K)	B	116.1/105.8
R373	7030003560	S.RES ERJ3GEYJ 103 V (10K)	B	119.2/105.9
R374	7030003560	S.RES ERJ3GEYJ 103 V (10K)	T	112.9/107.2
R375	7030003560	S.RES ERJ3GEYJ 103 V (10K)	T	112/110.2
R376	7030003560	S.RES ERJ3GEYJ 103 V (10K)	B	111.7/105.7
R377	7030003560	S.RES ERJ3GEYJ 103 V (10K)	T	110.1/74
R378	7030003560	S.RES ERJ3GEYJ 103 V (10K)	T	123.4/79.8
R381	7030003240	S.RES ERJ3GEYJ 220 V (22)	T	107.6/120.5
R382	7030003240	S.RES ERJ3GEYJ 220 V (22)	T	106.3/120.5
R383	7030003280	S.RES ERJ3GEYJ 470 V (47)	B	101.4/120.2
R385	7030003280	S.RES ERJ3GEYJ 470 V (47)	B	117.9/105.9
R386	7030003280	S.RES ERJ3GEYJ 470 V (47)	B	104.2/120.9
R387	7030003280	S.RES ERJ3GEYJ 470 V (47)	B	101.4/121.5

[LOGIC-A UNIT] (For [USA])

REF NO.	ORDER NO.	DESCRIPTION	M.	H/V LOCATION
R388	7030003280	S.RES ERJ3GEYJ 470 V (47)	B	101.4/123.2
R389	7030003280	S.RES ERJ3GEYJ 470 V (47)	B	104.2/122.6
R390	7030003280	S.RES ERJ3GEYJ 470 V (47)	B	123.7/82.2
R391	7030003280	S.RES ERJ3GEYJ 470 V (47)	B	121.8/80.8
R392	7030003280	S.RES ERJ3GEYJ 470 V (47)	B	124.1/83.5
R393	7030003280	S.RES ERJ3GEYJ 470 V (47)	B	113.9/105.1
R394	7030003240	S.RES ERJ3GEYJ 220 V (22)	B	105.6/124.9
R401	7030003320	S.RES ERJ3GEYJ 101 V (100)	B	54.6/59.9
R403	7030003560	S.RES ERJ3GEYJ 103 V (10K)	B	31.2/50.6
R404	7030003560	S.RES ERJ3GEYJ 103 V (10K)	B	37.5/50.6
R405	7030003560	S.RES ERJ3GEYJ 103 V (10K)	B	24.5/56.5
R406	7030003560	S.RES ERJ3GEYJ 103 V (10K)	T	38.2/62
R407	7030003560	S.RES ERJ3GEYJ 103 V (10K)	T	35.6/62
R408	7030003560	S.RES ERJ3GEYJ 103 V (10K)	T	42.8/66.8
R409	7030003560	S.RES ERJ3GEYJ 103 V (10K)	T	37.6/72
R410	7030003560	S.RES ERJ3GEYJ 103 V (10K)	T	35/72
R411	7030003560	S.RES ERJ3GEYJ 103 V (10K)	T	38.9/72
R412	7030003560	S.RES ERJ3GEYJ 103 V (10K)	T	40.2/72
R413	7030003560	S.RES ERJ3GEYJ 103 V (10K)	T	41.5/72
R414	7030003560	S.RES ERJ3GEYJ 103 V (10K)	T	36.3/72
R415	7030003560	S.RES ERJ3GEYJ 103 V (10K)	B	40.3/41.2
R416	7030003560	S.RES ERJ3GEYJ 103 V (10K)	B	39/41.2
R417	7030003560	S.RES ERJ3GEYJ 103 V (10K)	B	37.7/41.2
R418	7030003320	S.RES ERJ3GEYJ 101 V (100)	B	50.8/97.5
R419	7030003440	S.RES ERJ3GEYJ 102 V (10K)	B	26.2/99.4
R420	7030003580	S.RES ERJ3GEYJ 153 V (15K)	B	24.7/98.1
R421	7030003470	S.RES ERJ3GEYJ 182 V (1.8K)	B	27/91.4
R422	7030003250	S.RES ERJ3GEYJ 270 V (27)	B	26.2/89.2
R423	7030003560	S.RES ERJ3GEYJ 103 V (10K)	B	29.3/105.2
R424	7030003560	S.RES ERJ3GEYJ 103 V (10K)	B	26.2/100.7
R425	7030003380	S.RES ERJ3GEYJ 331 V (330)	T	43.3/104.6
R426	7030003380	S.RES ERJ3GEYJ 331 V (330)	T	43.3/103.3
R427	7030003380	S.RES ERJ3GEYJ 331 V (330)	T	43.3/102
R428	7030003320	S.RES ERJ3GEYJ 101 V (100)	T	22.4/108.5
R429	7030003320	S.RES ERJ3GEYJ 101 V (100)	T	23.7/108.5
R430	7030003320	S.RES ERJ3GEYJ 101 V (100)	T	25/108.5
R431	7030003320	S.RES ERJ3GEYJ 101 V (100)	T	26.3/108.5
R432	7030003320	S.RES ERJ3GEYJ 101 V (100)	T	33.4/122.5
R433	7030003320	S.RES ERJ3GEYJ 101 V (100)	T	32.1/122.5
R434	7030003320	S.RES ERJ3GEYJ 101 V (100)	T	30.1/122.5
R435	7030003320	S.RES ERJ3GEYJ 101 V (100)	T	28.8/122.5
R436	7030003340	S.RES ERJ3GEYJ 151 V (150)	T	29.5/108.5
R437	7030003340	S.RES ERJ3GEYJ 151 V (150)	T	30.8/108.5
R438	7030003340	S.RES ERJ3GEYJ 151 V (150)	T	24.4/125.8
R439	7030003340	S.RES ERJ3GEYJ 151 V (150)	T	24.4/124.5
R440	7030003340	S.RES ERJ3GEYJ 151 V (150)	T	24.3/122.5
R441	7030003340	S.RES ERJ3GEYJ 151 V (150)	T	23/122.5
R442	7030003340	S.RES ERJ3GEYJ 151 V (150)	T	21.7/122.5
R443	7030003340	S.RES ERJ3GEYJ 151 V (150)	T	20.4/122.5
R450	7030003860	S.RES ERJ3GE JPW V	T	49.8/52.3
R451	7030003860	S.RES ERJ3GE JPW V	T	36/106.5
R501	7030003260	S.RES ERJ3GEYJ 330 V (33)	T	142.3/123.9
R502	7030003260	S.RES ERJ3GEYJ 330 V (33)	T	139.7/123.9
R503	7030003260	S.RES ERJ3GEYJ 330 V (33)	T	138.4/123.9
R504	7030003260	S.RES ERJ3GEYJ 330 V (33)	T	137.1/123.9
R505	7030003260	S.RES ERJ3GEYJ 330 V (33)	T	135.8/123.9
R506	7030003260	S.RES ERJ3GEYJ 330 V (33)	T	134.5/123.9
R507	7030003260	S.RES ERJ3GEYJ 330 V (33)	T	133.2/123.9
R508	7030003260	S.RES ERJ3GEYJ 330 V (33)	T	130.3/123.9
R509	7030003260	S.RES ERJ3GEYJ 330 V (33)	T	129/123.9
R510	7030003520	S.RES ERJ3GEYJ 472 V (4.7K)	T	127.9/127.6
R511	7030003200	S.RES ERJ3GEYJ 100 V (10)	T	143.6/123.9
R512	7030003230	S.RES ERJ3GEYJ 180 V (18)	T	151/140.3
R513	7030003290	S.RES ERJ3GEYJ 560 V (56)	B	137.4/132.7
R514	7030003290	S.RES ERJ3GEYJ 560 V (56)	B	137.4/134
R515	7030003290	S.RES ERJ3GEYJ 560 V (56)	B	137.4/136.6
R516	7030003290	S.RES ERJ3GEYJ 560 V (56)	B	137.4/137.9
R517	7030003290	S.RES ERJ3GEYJ 560 V (56)	B	137.4/139.2
R518	7030003290	S.RES ERJ3GEYJ 560 V (56)	T	149/141.1
R519	7030003560	S.RES ERJ3GEYJ 103 V (10K)	T	142.8/146.2
R520	7030003560	S.RES ERJ3GEYJ 103 V (10K)	T	140/146.2
R521	7030003560	S.RES ERJ3GEYJ 103 V (10K)	T	140/147.6
R522	7030003860	S.RES ERJ3GE JPW V	T	134.8/147
R523	7030003560	S		

[LOGIC-A UNIT] (For [USA])

REF NO.	ORDER NO.	DESCRIPTION	M.	H/V LOCATION
R610	7030003440	S.RES ERJ3GEYJ 102 V (1K)	T	95.6/37.3
R611	7030003440	S.RES ERJ3GEYJ 102 V (1K)	T	95.6/39.9
R612	7030003440	S.RES ERJ3GEYJ 102 V (1K)	T	95.6/42.5
R613	7030003860	S.RES ERJ3GE JPW V	T	95.6/45.1
R614	7030003440	S.RES ERJ3GEYJ 102 V (1K)	B	88/41.7
R621	7030003800	S.RES ERJ3GEYJ 105 V (1M)	T	99/42.5
R622	7030003800	S.RES ERJ3GEYJ 105 V (1M)	T	99/39.9
R623	7030003800	S.RES ERJ3GEYJ 105 V (1M)	T	99/37.3
R624	7030003800	S.RES ERJ3GEYJ 105 V (1M)	T	99/34.7
R625	7030003800	S.RES ERJ3GEYJ 105 V (1M)	B	85.4/41.7
R626	7030003640	S.RES ERJ3GEYJ 473 V (47K)	B	88/43.1
R627	7030003640	S.RES ERJ3GEYJ 473 V (47K)	B	81.9/51.4
R628	7030003640	S.RES ERJ3GEYJ 473 V (47K)	B	81.9/50.1
R629	7030003640	S.RES ERJ3GEYJ 473 V (47K)	B	85.9/49.9
R630	7030003520	S.RES ERJ3GEYJ 472 V (4.7K)	B	83.3/47.5
R631	7030003520	S.RES ERJ3GEYJ 472 V (4.7K)	T	82.1/42
R632	7030003520	S.RES ERJ3GEYJ 472 V (4.7K)	T	82.1/45.9
R633	7030003520	S.RES ERJ3GEYJ 472 V (4.7K)	T	82.1/43.3
R634	7030003520	S.RES ERJ3GEYJ 472 V (4.7K)	B	81.9/48.8
R635	7030003520	S.RES ERJ3GEYJ 472 V (4.7K)	T	82.1/44.6
R636	7030003640	S.RES ERJ3GEYJ 473 V (47K)	B	71.9/35.7
R637	7030003640	S.RES ERJ3GEYJ 473 V (47K)	B	78.4/34
R639	7030003640	S.RES ERJ3GEYJ 473 V (47K)	T	113.8/34
R640	7030003640	S.RES ERJ3GEYJ 473 V (47K)	T	112.5/34
R641	7030003640	S.RES ERJ3GEYJ 473 V (47K)	T	111.2/34
R642	7030003640	S.RES ERJ3GEYJ 473 V (47K)	T	109.9/34
R643	7030003600	S.RES ERJ3GEYJ 224 V (22K)	B	69.9/55.4
R644	7030003560	S.RES ERJ3GEYJ 103 V (10K)	B	68.5/55.4
R645	7030003520	S.RES ERJ3GEYJ 472 V (4.7K)	T	109.3/56.3
R646	7030003720	S.RES ERJ3GEYJ 224 V (220K)	B	116.5/56.5
R647	7030003720	S.RES ERJ3GEYJ 224 V (220K)	B	117.5/59.1
R648	7030003720	S.RES ERJ3GEYJ 224 V (220K)	B	118.5/56.5
R649	7030003720	S.RES ERJ3GEYJ 224 V (220K)	B	119.5/59.1
R650	7030003720	S.RES ERJ3GEYJ 224 V (220K)	B	120.5/56.5
R651	7030003720	S.RES ERJ3GEYJ 224 V (220K)	B	121.5/59.1
R652	7030003720	S.RES ERJ3GEYJ 224 V (220K)	B	122.5/56.5
R653	7030003720	S.RES ERJ3GEYJ 224 V (220K)	B	123.4/59.1
R654	7030003520	S.RES ERJ3GEYJ 472 V (4.7K)	B	117.5/54.2
R655	7030003520	S.RES ERJ3GEYJ 472 V (4.7K)	B	117.5/52.7
R658	7030003640	S.RES ERJ3GEYJ 473 V (47K)	T	99/45.1
R661	7030003640	S.RES ERJ3GEYJ 473 V (47K)	T	70.2/27.4
R662	7030003720	S.RES ERJ3GEYJ 224 V (220K)	B	66/30.2
R663	7030003640	S.RES ERJ3GEYJ 473 V (47K)	B	66/27.2
R664	7030003640	S.RES ERJ3GEYJ 473 V (47K)	B	66/26
R665	7030003640	S.RES ERJ3GEYJ 473 V (47K)	B	66/28.6
R666	7030003640	S.RES ERJ3GEYJ 473 V (47K)	B	71.2/18.3
R667	7030003720	S.RES ERJ3GEYJ 224 V (220K)	B	68.5/21.3
R668	7030003640	S.RES ERJ3GEYJ 473 V (47K)	B	67.2/21.3
R669	7030003640	S.RES ERJ3GEYJ 473 V (47K)	B	63/33
R670	7030003640	S.RES ERJ3GEYJ 473 V (47K)	B	72.5/18.3
R671	7030003640	S.RES ERJ3GEYJ 473 V (47K)	B	86.5/9.2
R672	7030003640	S.RES ERJ3GEYJ 473 V (47K)	B	83.9/10.9
R673	7030003640	S.RES ERJ3GEYJ 473 V (47K)	B	74.6/16.3
R674	7030003640	S.RES ERJ3GEYJ 473 V (47K)	B	77.9/12.3
R675	7030003640	S.RES ERJ3GEYJ 473 V (47K)	B	76.5/13.8
R676	7030003640	S.RES ERJ3GEYJ 473 V (47K)	B	79.2/12.3
R677	7030003640	S.RES ERJ3GEYJ 473 V (47K)	B	80.5/12.3
R678	7030003560	S.RES ERJ3GEYJ 103 V (10K)	B	115.9/49.7
R679	7030003560	S.RES ERJ3GEYJ 103 V (10K)	B	76.5/15.6
R680	7030003440	S.RES ERJ3GEYJ 102 V (1K)	T	155.9/77.4
R682	7030003520	S.RES ERJ3GEYJ 472 V (4.7K)	T	46/28.7
R691	7030003640	S.RES ERJ3GEYJ 473 V (47K)	B	80.7/46.3
R701	7030003860	S.RES ERJ3GE JPW V	T	109.3/59.1
R801	7030010610	S.RES ERJ1TYJ 470U (47)	B	171/35.2
R802	7030010910	S.RES ERJ1TYJ 150U (15)	B	36.1/3.3
R803	7030010910	S.RES ERJ1TYJ 150U (15)	B	36.1/7
R804	7030010950	S.RES ERJ1TYJ 100U (10 -)	B	181.3/141.3
R805	7030010410	S.RES ERJ1TYJ 220U (22)	B	49.1/140.5
R806	7030010410	S.RES ERJ1TYJ 220U (22)	B	49.1/136.8
R813	7030003560	S.RES ERJ3GEYJ 103 V (10K)	T	184.1/79
R871	7030003320	S.RES ERJ3GEYJ 101 V (100)	T	43.4/39.7
R872	7030003320	S.RES ERJ3GEYJ 101 V (100)	T	44.1/31.5
R873	7030003320	S.RES ERJ3GEYJ 101 V (100)	T	44.7/39.7
R874	7030003320	S.RES ERJ3GEYJ 101 V (100)	T	45.4/31.5
R875	7030003320	S.RES ERJ3GEYJ 101 V (100)	T	46/39.7
R876	7030003320	S.RES ERJ3GEYJ 101 V (100)	T	46.7/31.5
R877	7030003320	S.RES ERJ3GEYJ 101 V (100)	T	47.3/39.7
R878	7030003320	S.RES ERJ3GEYJ 101 V (100)	T	48/31.5
R879	7030003320	S.RES ERJ3GEYJ 101 V (100)	T	48.6/39.7
R880	7030003320	S.RES ERJ3GEYJ 101 V (100)	T	49.3/31.5
R881	7030003320	S.RES ERJ3GEYJ 101 V (100)	T	49.9/39.7
R882	7030003320	S.RES ERJ3GEYJ 101 V (100)	T	50.6/31.5
R883	7030003320	S.RES ERJ3GEYJ 101 V (100)	T	51.2/39.7
R884	7030003320	S.RES ERJ3GEYJ 101 V (100)	T	51.9/31.5
R885	7030003320	S.RES ERJ3GEYJ 101 V (100)	T	52.5/39.7
R886	7030003320	S.RES ERJ3GEYJ 101 V (100)	T	53.2/31.5
R887	7030003320	S.RES ERJ3GEYJ 101 V (100)	T	53.8/39.7
R888	7030003320	S.RES ERJ3GEYJ 101 V (100)	T	55.1/39.7
R889	7030003320	S.RES ERJ3GEYJ 101 V (100)	T	54.5/31.5
R890	7030003320	S.RES ERJ3GEYJ 101 V (100)	T	56.4/39.7
R891	7030003320	S.RES ERJ3GEYJ 101 V (100)	T	55.8/31.5
R892	7030003320	S.RES ERJ3GEYJ 101 V (100)	T	57.7/39.7
R893	7030003320	S.RES ERJ3GEYJ 101 V (100)	T	57.1/31.5
R894	7030003320	S.RES ERJ3GEYJ 101 V (100)	T	59/39.7
R895	7030003860	S.RES ERJ3GE JPW V	T	58.4/31.5
R896	7030003860	S.RES ERJ3GE JPW V	T	60.3/39.7
R897	7030003860	S.RES ERJ3GE JPW V	T	59.7/31.5
R901	7030003200	S.RES ERJ3GEYJ 100 V (10)	T	8.7/120
R902	7030003860	S.RES ERJ3GE JPW V	B	44.2/38.3
R903	7030003360	S.RES ERJ3GEYJ 221 V (220)	B	8.7/118.7
R904	7030003360	S.RES ERJ3GEYJ 221 V (220)	B	4.2/117.9
R905	7030003360	S.RES ERJ3GEYJ 221 V (220)	T	8.7/117.4
R906	7030003360	S.RES ERJ3GEYJ 221 V (220)	B	4.2/116.6
R907	7030003440	S.RES ERJ3GEYJ 102 V (1K)	T	8.7/116.1

[LOGIC-A UNIT] (For [USA])

REF NO.	ORDER NO.	DESCRIPTION	M.	H/V LOCATION
R908	7030003860	S.RES ERJ3GE JPW V	T	9/114.3
R909	7030003860	S.RES ERJ3GE JPW V	T	9/113
R910	7030003860	S.RES ERJ3GE JPW V	T	9/111.7
R911	7030003860	S.RES ERJ3GE JPW V	T	9/132.9
R912	7030003860	S.RES ERJ3GE JPW V	T	9/131.6
R913	7030003860	S.RES ERJ3GE JPW V	T	9/130.3
R914	7030003860	S.RES ERJ3GE JPW V	T	9/129
R915	7030003440	S.RES ERJ3GEYJ 102 V (1K)	B	10.3/129.9
R916	7030003440	S.RES ERJ3GEYJ 102 V (1K)	B	4/128.1
R917	7030003440	S.RES ERJ3GEYJ 102 V (1K)	B	7.5/132
R918	7030003440	S.RES ERJ3GEYJ 102 V (1K)	B	4/126.8
R919	7030003440	S.RES ERJ3GEYJ 102 V (1K)	B	9.3/125.5
R920	7030003440	S.RES ERJ3GEYJ 102 V (1K)	B	4/125.5
R921	7030003440	S.RES ERJ3GEYJ 102 V (1K)	B	9/129.9
R922	7030003440	S.RES ERJ3GEYJ 102 V (1K)	B	4/124.2
R923	7030003440	S.RES ERJ3GEYJ 102 V (1K)	T	8.6/124.9
R924	7030003440	S.RES ERJ3GEYJ 102 V (1K)	B	4/122.9
R925	7030003440	S.RES ERJ3GEYJ 102 V (1K)	T	8.6/122.3
R926	7030003440	S.RES ERJ3GEYJ 102 V (1K)	B	4/121.6
R927	7030003440	S.RES ERJ3GEYJ 102 V (1K)	B	4/129.4
R928	7030003860	S.RES ERJ3GE JPW V	T	9/110.4
R929	7030003860	S.RES ERJ3GE JPW V	T	9/109.1
R930	7030003360	S.RES ERJ3GEYJ 221 V (220)	T	8.7/106.6
R931	7030003860	S.RES ERJ3GE JPW V	T	62.6/140.9
R932	7030003860	S.RES ERJ3GE JPW V	T	64.6/140.9
R933	7030003360	S.RES ERJ3GEYJ 221 V (220)	T	8.7/104
R938	7030003520	S.RES ERJ3GEYJ 472 V (4.7K)	T	79.3/135.4
R939	7030003520	S.RES ERJ3GEYJ 472 V (4.7K)	T	79.4/136.8
R940	7030003560	S.RES ERJ3GEYJ 103 V (10K)	T	78.8/140.1
R941	7030003320	S.RES ERJ3GEYJ 101 V (100)	T	80.1/141.3
R942	7030003320	S.RES ERJ3GEYJ 101 V (100)	T	83.2/140.9
R943	7030003320	S.RES ERJ3GEYJ 101 V (100)	T	84.5/140.9
R944	7030003320	S.RES ERJ3GEYJ 101 V (100)	T	85.8/140.9
R945	7030003320	S.RES ERJ3GEYJ 101 V (100)	T	87.1/140.9
R946	7030003320	S.RES ERJ3GEYJ 101 V (100)	T	88.4/140.9
R947	7030003320	S.RES ERJ3GEYJ 101 V (100)	T	89.7/140.9
R948	7030003320	S.RES ERJ3GEYJ 101 V (100)	T	91/140.9
R949	7030003200	S.RES ERJ3GEYJ 100 V (10)	T	106.2/140.9
R950	7030003200	S.RES ERJ3GEYJ 100 V (10)	T	104.9/140.9
R951	7030003200	S.RES ERJ3GEYJ 100 V (10)	T	103.6/140.9
R952	7030003200	S.RES ERJ3GEYJ 100 V (10)	T	102.3/140.9
R953	7030003200	S.RES ERJ3GEYJ 100 V (10)	T	101/140.9
R960	7030003440	S.RES ERJ3GEYJ 102 V (1K)	T	27.8/18.6
R961	7030003440	S.RES ERJ3GEYJ 102 V (1K)	T	31/19.4
R962	7030003440	S.RES ERJ3GEYJ 102 V (1K)	T	33.6/19.4
R964	7030003200	S.RES ERJ3GEYJ 100 V (10)	T	177.4/16.2
R965	7030003200	S.RES ERJ3GEYJ 100 V (10)	T	177.4/17.2
R966	7030003360	S.RES ERJ3GEYJ 221 V (220)	T	180/21.6
R967	7030003360	S.RES ERJ3GEYJ 221 V (220)	T	177.3/21.9
R968	7030003360	S.RES ERJ3GEYJ 221 V (220)	T	180/22.6
R969	7030003200	S.RES ERJ3GEYJ 100 V (10)	T	180/19.8
R970	7030003440	S.RES ERJ3GEYJ 102 V (1K)	T	29.7/19.4
R971	7030003440	S.RES ERJ3GEYJ 102 V (1K)	T	32.3/19.4
R972	7030003440	S.RES ERJ3GEYJ 102 V (1K)	T	34.9/19.4
R974	7030003200	S.RES ERJ3GEYJ 100 V (10)	T	180/16.9
R975	7030003200	S.RES ERJ3GEYJ 100 V (10)	T	180/18.3
R976	7030003360	S.RES ERJ3GEYJ 221 V (220)	T	177.4/20.5
R977	7030003360	S.RES ERJ3GEYJ 221 V (220)	T	177.3/23.3
R978	7030003360	S.RES ERJ3GEYJ 221 V (220)	T	183.2/126
R979	7030003360	S.RES ERJ3GEYJ 221 V (220)	T	180.6/125
R980	7030003360	S.RES ERJ3GEYJ 221 V (220)	T	183.2/124
R981	7030003360	S.RES ERJ3GEYJ 221 V (220)	T	180.7/123
R982	7030007230	S.RES ERA3YED 102V (1K)	T	33.4/140.9
R983	7030003440	S.RES ERJ3GEYJ 102 V (1K)	T	29/140.9
R984	7030007230	S.RES ERA3YED 102V (1K)	T	27.7/140.9
R985	7030007230	S.RES ERA3YED 102V (1K)	T	26.4/140.9
R986	7030007230	S.RES ERA3YED 102V (1K)	T	25.1/140.9
R987	7030007230	S.RES ERA3YED 102V (1K)	T	23.8/140.9
R988	7030007230	S.RES ERA3YED 102V (1K)	T	22.5/140.9
R989	7030003360	S.RES ERJ3GEYJ 221 V (220)	T	30/8.3
R990	7030003360	S.RES ERJ3GEYJ 221 V (220)	T	31.3/8.3
R991	7030003360	S.RES ERJ3GEYJ 221 V (220)	T	32.6/8.3
R992	7030003360	S.RES ERJ3GEYJ 221 V (220)	T	33.9/8.3
R993	7030003360	S.RES ERJ3GEYJ 221 V (220)	T	35.2/8.3
R994	7030003360	S.RES ERJ3GEYJ 221 V (220)	T	36.5/8.3
R1001	7030003410	S.RES ERJ3GEYJ 561 V (560)	B	35.6/122.7
R1002	7030003540	S.RES ERJ3GEYJ 682 V (6.8K)	B	32.8/122.7</

[LOGIC-A UNIT] (For [USA])

REF NO.	ORDER NO.	DESCRIPTION	M.	H/V LOCATION
R1101	7030003280	S.RES ERJ3GEYJ 470 V (47)	T	18.9/29.8
R1102	7030003280	S.RES ERJ3GEYJ 470 V (47)	T	16.1/30.5
R1103	7030003280	S.RES ERJ3GEYJ 470 V (47)	T	18.9/31.2
R1104	7030003280	S.RES ERJ3GEYJ 470 V (47)	T	16.1/31.9
R1105	7030003280	S.RES ERJ3GEYJ 470 V (47)	T	18.9/32.6
R1106	7030003280	S.RES ERJ3GEYJ 470 V (47)	T	16.1/33.3
R1107	7030003280	S.RES ERJ3GEYJ 470 V (47)	T	18.9/34
R1108	7030003280	S.RES ERJ3GEYJ 470 V (47)	T	16.1/34.7
R1109	7030003280	S.RES ERJ3GEYJ 470 V (47)	T	18.9/35.4
R1110	7030003280	S.RES ERJ3GEYJ 470 V (47)	T	16.1/36.1
R1111	7030003280	S.RES ERJ3GEYJ 470 V (47)	T	18.9/36.8
R1112	7030003280	S.RES ERJ3GEYJ 470 V (47)	T	16.1/37.5
R1113	7030003280	S.RES ERJ3GEYJ 470 V (47)	T	18.9/38.2
R1114	7030003280	S.RES ERJ3GEYJ 470 V (47)	T	16.1/38.9
R1115	7030003280	S.RES ERJ3GEYJ 470 V (47)	T	18.9/39.6
R1116	7030003280	S.RES ERJ3GEYJ 470 V (47)	T	16.1/40.3
R1117	7030003280	S.RES ERJ3GEYJ 470 V (47)	T	18.9/41
R1118	7030003280	S.RES ERJ3GEYJ 470 V (47)	T	16.1/41.7
R1119	7030003280	S.RES ERJ3GEYJ 470 V (47)	T	18.9/42.4
R1120	7030003280	S.RES ERJ3GEYJ 470 V (47)	T	16.1/43.1
R1121	7030003280	S.RES ERJ3GEYJ 470 V (47)	T	18.9/43.8
R1122	7030003280	S.RES ERJ3GEYJ 470 V (47)	T	16.1/44.5
R1123	7030003280	S.RES ERJ3GEYJ 470 V (47)	T	18.9/45.2
R1124	7030003280	S.RES ERJ3GEYJ 470 V (47)	T	16.1/47.2
R1125	7030003280	S.RES ERJ3GEYJ 470 V (47)	T	18.9/47.9
R1126	7030003280	S.RES ERJ3GEYJ 470 V (47)	T	16.1/48.6
R1127	7030003280	S.RES ERJ3GEYJ 470 V (47)	T	18.9/49.3
R1128	7030003280	S.RES ERJ3GEYJ 470 V (47)	T	16.1/50
R1129	7030003280	S.RES ERJ3GEYJ 470 V (47)	T	18.9/50.7
R1130	7030003280	S.RES ERJ3GEYJ 470 V (47)	T	16.1/51.4
R1131	7030003280	S.RES ERJ3GEYJ 470 V (47)	T	18.9/52.1
R1132	7030003280	S.RES ERJ3GEYJ 470 V (47)	T	16.1/52.8
R1133	7030003280	S.RES ERJ3GEYJ 470 V (47)	T	18.9/53.5
R1134	7030003280	S.RES ERJ3GEYJ 470 V (47)	T	16.1/54.2
R1135	7030003280	S.RES ERJ3GEYJ 470 V (47)	T	18.9/54.9
R1136	7030003280	S.RES ERJ3GEYJ 470 V (47)	T	16.1/55.6
R1137	7030003280	S.RES ERJ3GEYJ 470 V (47)	T	18.9/56.3
R1138	7030003280	S.RES ERJ3GEYJ 470 V (47)	T	16.1/57
R1139	7030003280	S.RES ERJ3GEYJ 470 V (47)	T	18.9/57.7
R1140	7030003280	S.RES ERJ3GEYJ 470 V (47)	T	16.1/58.4
R1141	7030003280	S.RES ERJ3GEYJ 470 V (47)	T	18.9/59.1
R1142	7030003280	S.RES ERJ3GEYJ 470 V (47)	T	16.1/59.8
R1143	7030003280	S.RES ERJ3GEYJ 470 V (47)	T	18.9/60.5
R1144	7030003280	S.RES ERJ3GEYJ 470 V (47)	T	16.1/61.2
R1145	7030003280	S.RES ERJ3GEYJ 470 V (47)	T	18.9/61.9
R1146	7030003280	S.RES ERJ3GEYJ 470 V (47)	T	16.1/62.6
R1151	7030003290	S.RES ERJ3GEYJ 560 V (56)	T	175.5/96.6
R1152	7030003320	S.RES ERJ3GEYJ 101 V (100)	T	172.2/95.9
R1153	7030003320	S.RES ERJ3GEYJ 101 V (100)	T	175.5/95.2
R1154	7030003320	S.RES ERJ3GEYJ 101 V (100)	T	172.2/94.5
R1155	7030003320	S.RES ERJ3GEYJ 101 V (100)	T	175.5/93.8
R1156	7030003320	S.RES ERJ3GEYJ 101 V (100)	T	172.2/93.1
R1157	7030003320	S.RES ERJ3GEYJ 101 V (100)	T	175.5/92.4
R1158	7030003320	S.RES ERJ3GEYJ 101 V (100)	T	172.2/91.7
R1159	7030003320	S.RES ERJ3GEYJ 101 V (100)	T	175.5/91
R1160	7030003320	S.RES ERJ3GEYJ 101 V (100)	T	172.2/90.3
R1161	7030003320	S.RES ERJ3GEYJ 101 V (100)	T	175.5/89.6
R1162	7030003320	S.RES ERJ3GEYJ 101 V (100)	T	172.2/88.9
R1163	7030003320	S.RES ERJ3GEYJ 101 V (100)	T	175.5/88.2
R1164	7030003320	S.RES ERJ3GEYJ 101 V (100)	T	172.2/87.5
R1165	7030003320	S.RES ERJ3GEYJ 101 V (100)	T	175.5/86.8
R1166	7030003320	S.RES ERJ3GEYJ 101 V (100)	T	172.2/86.1
R1167	7030003320	S.RES ERJ3GEYJ 101 V (100)	T	175.5/85.4
R1168	7030003320	S.RES ERJ3GEYJ 101 V (100)	T	172.2/84.7
R1169	7030003320	S.RES ERJ3GEYJ 101 V (100)	T	175.5/84
R1170	7030003320	S.RES ERJ3GEYJ 101 V (100)	T	178/82
R1301	7030003860	S.RES ERJ3GE JPW V	T	6.5/10
R1302	7030003860	S.RES ERJ3GE JPW V	T	107.5/21.8
R1303	7030003860	S.RES ERJ3GE JPW V	T	145.5/38.4
R1304	7030003860	S.RES ERJ3GE JPW V	T	12.3/83.5
R1305	7030003860	S.RES ERJ3GE JPW V	T	124.9/146.2
R1306	7030003860	S.RES ERJ3GE JPW V	T	91.7/130.4
R1307	7030003860	S.RES ERJ3GE JPW V	B	153.1/43.1
R1401	7030003360	S.RES ERJ3GEYJ 221 V (220)	T	121.1/27.2
R1402	7030003360	S.RES ERJ3GEYJ 221 V (220)	T	122.5/27.2
R1403	7030003360	S.RES ERJ3GEYJ 221 V (220)	T	123.9/27.2
R1404	7030003360	S.RES ERJ3GEYJ 221 V (220)	T	125.3/27.2
R1405	7030003360	S.RES ERJ3GEYJ 221 V (220)	T	126.7/27.2
R1406	7030003360	S.RES ERJ3GEYJ 221 V (220)	T	128.1/27.2
R1407	7030003360	S.RES ERJ3GEYJ 221 V (220)	T	129.5/27.2
R1408	7030003360	S.RES ERJ3GEYJ 221 V (220)	T	130.9/27.2
R1409	7030003360	S.RES ERJ3GEYJ 221 V (220)	T	132.3/27.2
R1410	7030003360	S.RES ERJ3GEYJ 221 V (220)	T	133.7/27.2
R1411	7030003360	S.RES ERJ3GEYJ 221 V (220)	T	135.1/27.2
C1	4030011600	S.CER C1608 JB 1E 104K-T	B	84.4/98.3
C2	4030011600	S.CER C1608 JB 1E 104K-T	B	82.8/98.3
C3	4030011600	S.CER C1608 JB 1E 104K-T	B	78/98.3
C4	4030011600	S.CER C1608 JB 1E 104K-T	B	74/98.3
C5	4030011600	S.CER C1608 JB 1E 104K-T	B	63.6/98.3
C6	4030011600	S.CER C1608 JB 1E 104K-T	B	81.6/115.4
C7	4030011600	S.CER C1608 JB 1E 104K-T	B	76.8/115.4
C8	4030011600	S.CER C1608 JB 1E 104K-T	T	84.4/122.5
C9	4030011600	S.CER C1608 JB 1E 104K-T	T	82.8/122.5
C10	4030011600	S.CER C1608 JB 1E 104K-T	T	78/122.5
C11	4030011600	S.CER C1608 JB 1E 104K-T	T	74/122.5
C12	4030011600	S.CER C1608 JB 1E 104K-T	T	63.6/122.5
C13	4030011600	S.CER C1608 JB 1E 104K-T	T	78.9/106.7
C14	4030011600	S.CER C1608 JB 1E 104K-T	T	74.2/106.7
C51	4030011600	S.CER C1608 JB 1E 104K-T	B	120.2/69.7
C52	4030011600	S.CER C1608 JB 1E 104K-T	B	110.7/61.1
C53	4030011600	S.CER C1608 JB 1E 104K-T	B	107.8/61.1
C54	4030011600	S.CER C1608 JB 1E 104K-T	B	121.7/66.2

[LOGIC-A UNIT] (For [USA])

REF NO.	ORDER NO.	DESCRIPTION	M.	H/V LOCATION
C55	4030011600	S.CER C1608 JB 1E 104K-T	B	123.4/78.9
C56	4030011600	S.CER C1608 JB 1E 104K-T	B	128.7/80.9
C57	4030011600	S.CER C1608 JB 1E 104K-T	B	142.2/75.7
C58	4030011600	S.CER C1608 JB 1E 104K-T	B	142.2/73.1
C59	4030011600	S.CER C1608 JB 1E 104K-T	B	132.3/60.8
C60	4030011600	S.CER C1608 JB 1E 104K-T	B	126.2/61.1
C61	4030009990	S.CER C1608 CH 1H 200J-T	T	164/101.1
C62	4030011600	S.CER C1608 JB 1E 104K-T	T	157.9/51.8
C63	4030008890	S.CER C1608 JB 1H 273K-T	T	162.5/51.8
C64	4030011600	S.CER C1608 JB 1E 104K-T	T	164.6/53.7
C65	4030011600	S.CER C1608 JB 1E 104K-T	T	115/52
C101	4030011600	S.CER C1608 JB 1E 104K-T	T	39.1/86.9
C102	4030011600	S.CER C1608 JB 1E 104K-T	B	57.9/63.2
C103	4030011600	S.CER C1608 JB 1E 104K-T	B	61.8/93
C104	4030011600	S.CER C1608 JB 1E 104K-T	B	61.5/73.8
C105	4030011600	S.CER C1608 JB 1E 104K-T	B	64.2/86
C106	4030011600	S.CER C1608 JB 1E 104K-T	B	61.5/72.5
C107	4030011600	S.CER C1608 JB 1E 104K-T	B	66.7/72.5
C108	4030011600	S.CER C1608 JB 1E 104K-T	B	72.4/72.5
C109	4030011600	S.CER C1608 JB 1E 104K-T	B	74.3/75.8
C110	4030011600	S.CER C1608 JB 1E 104K-T	B	61.5/83
C111	4550007520	S.TAN F931A106MAABMA	B	72.4/63.8
C112	4030011600	S.CER C1608 JB 1E 104K-T	B	73.7/65.5
C113	4550007520	S.TAN F931A106MAABMA	B	78.3/63.8
C114	4030011600	S.CER C1608 JB 1E 104K-T	B	76.7/65.5
C115	4550007520	S.TAN F931A106MAABMA	B	83.5/63.8
C116	4030011600	S.CER C1608 JB 1E 104K-T	B	79.6/65.5
C117	4030011600	S.CER C1608 JB 1E 104K-T	B	61.6/86
C118	4030011600	S.CER C1608 JB 1E 104K-T	B	61.5/76.4
C119	4030011600	S.CER C1608 JB 1E 104K-T	B	61.5/84.3
C120	4030011600	S.CER C1608 JB 1E 104K-T	B	74.3/84.4
C121	4030011600	S.CER C1608 JB 1E 104K-T	B	72.5/85.2
C122	4030011600	S.CER C1608 JB 1E 104K-T	B	71.2/85.2
C123	4030006860	S.CER C1608 JB 1H 102K-T	B	72/93
C124	4030011600	S.CER C1608 JB 1E 104K-T	B	66.8/86
C125	4030011600	S.CER C1608 JB 1E 104K-T	B	69.4/86
C126	4030011600	S.CER C1608 JB 1E 104K-T	B	61.5/81.7
C127	4030011600	S.CER C1608 JB 1E 104K-T	B	57.9/65.8
C128	4030011600	S.CER C1608 JB 1E 104K-T	B	66.9/65.8
C129	4030011600	S.CER C1608 JB 1E 104K-T	B	60.8/79.8
C130	4030011600	S.CER C1608 JB 1E 104K-T	B	74.3/81.8
C131	4030011600	S.CER C1608 JB 1E 104K-T	B	81.1/83.7
C132	4030011600	S.CER C1608 JB 1E 104K-T	B	74.3/78.6
C133	4030011600	S.CER C1608 JB 1E 104K-T	B	61.8/65.9
C134	4030011600	S.CER C1608 JB 1E 104K-T	B	54/73.6
C135	4030011600	S.CER C1608 JB 1E 104K-T	B	61.5/75.1
C136	4030011600	S.CER C1608 JB 1E 104K-T	B	69.3/72.5
C137	4030011600	S.CER C1608 JB 1E 104K-T	B	64.1/72.5
C138	4030011600	S.CER C1608 JB 1E 104K-T	B	69.4/84.3
C139	4030011600	S.CER C1608 JB 1E 104K-T	B	74.3/73.2
C140	4030006900	S.CER C1608 JB 1H 103K-T	B	81.1/73.5
C141	4030011600	S.CER C1608 JB 1E 104K-T	T	79/53.6
C142	4030011600	S.CER C1608 JB 1E 104K-T	T	91.4/47
C143	4050000290	S.FEE CNF10R102S-TM	T	19.4/89.2
C144	4030011600	S.CER C1608 JB 1E 104K-T	T	27.3/75.7
C145	4030007100	S.CER C1608 CH 1H 560J-T	T	24.1/73.5
C146	4030008560	S.CER C1608 CH 1H 300J-T	T	22.2/77.1
C147	4030007060	S.CER C1608 CH 1H 270J-T	T	21.6/74.8
C148	4030011600	S.CER C1608 JB 1E 104K-T	T	21.4/85.6
C149	4030011600	S.CER C1608 JB 1E 104K-T	T	23.2/90.2
C150	4030007130	S.CER C1608 CH 1H 101J-T	T	26/75.7
C151	4030007130	S.CER C1608 CH 1H 101J-T	T	20.1/85.6
C152	4030007130	S.CER C1608 CH 1H 101J-T	T	52.4/100.3
C153	4030007130	S.CER C1608 CH 1H 101J-T	T	41.7/86.9
C154	4030007130	S.CER C1608 CH 1H 101J-T	T	24.8/88.9
C155	4030007130	S.CER C1608 CH 1H 101J-T	T	93.7/56.2
C156	4030007130	S.CER C1608 CH 1H 101J-T	T	76.9/51.7
C157	4030007130	S.CER C1608 CH 1H 101J-T	T	62.2/123.8
C158	4030007130	S.CER C1608 CH 1H 101J-T	T	74.4/114.8
C159	4030007130	S.CER C1608 CH 1H 101J-T	T	104.8/118.8
C160	4030007130	S.CER C1608 CH 1H 101J-T	T	58.1/119.2
C161	4030007130	S.CER C1608 CH 1H 101J-T	B	144.2/77.5
C162	4030007130	S.CER C1608 CH 1H 101J-T	B	102.4/79.6
C163	4030007130	S.CER C1608 CH 1H 101J-T	T	110.7/49.2
C164	4030007130	S.CER C1608 CH 1H 101J-T	T	166.7/5

[LOGIC-A UNIT] (For [USA])

REF NO.	ORDER NO.	DESCRIPTION	M.	H/V LOCATION
C222	4030011600	S.CER C1608 JB 1E 104K-T	B	109.1/104.4
C223	4030011600	S.CER C1608 JB 1E 104K-T	B	105.5/98.4
C224	4030011600	S.CER C1608 JB 1E 104K-T	B	100.3/98.7
C225	4030011600	S.CER C1608 JB 1E 104K-T	B	106.2/92
C226	4030011600	S.CER C1608 JB 1E 104K-T	B	106.2/90.7
C227	4030011600	S.CER C1608 JB 1E 104K-T	B	111.4/87.6
C228	4030011600	S.CER C1608 JB 1E 104K-T	B	106.2/89.4
C229	4030011600	S.CER C1608 JB 1E 104K-T	B	116.1/104.4
C230	4030011600	S.CER C1608 JB 1E 104K-T	B	112/98.2
C231	4030011600	S.CER C1608 JB 1E 104K-T	B	117.2/98.6
C232	4030011600	S.CER C1608 JB 1E 104K-T	B	106.2/95.9
C233	4030011600	S.CER C1608 JB 1E 104K-T	B	117.2/92.1
C234	4030011600	S.CER C1608 JB 1E 104K-T	B	114/87.6
C235	4030011600	S.CER C1608 JB 1E 104K-T	B	116.9/81.4
C236	4030011600	S.CER C1608 JB 1E 104K-T	B	117.2/97.3
C237	4030011600	S.CER C1608 JB 1E 104K-T	B	117.2/96
C238	4030011600	S.CER C1608 JB 1E 104K-T	B	117.2/94.7
C239	4030011600	S.CER C1608 JB 1E 104K-T	B	100.3/96.1
C240	4030011600	S.CER C1608 JB 1E 104K-T	B	117.2/90.8
C241	4030011600	S.CER C1608 JB 1E 104K-T	B	117.2/89.5
C242	4030011600	S.CER C1608 JB 1E 104K-T	B	117.9/87.6
C243	4030011600	S.CER C1608 JB 1E 104K-T	B	116.6/87.6
C244	4030011600	S.CER C1608 JB 1E 104K-T	B	106.2/93.3
C245	4030011600	S.CER C1608 JB 1E 104K-T	B	106.8/98.2
C246	4030011600	S.CER C1608 JB 1E 104K-T	B	117.2/93.4
C247	4030011600	S.CER C1608 JB 1E 104K-T	B	114/98.2
C248	4030011600	S.CER C1608 JB 1E 104K-T	B	115.3/87.6
C249	4030011600	S.CER C1608 JB 1E 104K-T	B	108.1/87.6
C250	4030007050	S.CER C1608 CH 1H 220J-T	T	117.8/106.3
C251	4030007050	S.CER C1608 CH 1H 220J-T	T	115.2/106.3
C252	4030006990	S.CER C1608 CH 1H 080D-T	T	114.8/79.8
C253	4030006990	S.CER C1608 CH 1H 080D-T	T	116.1/79.8
C254	4030006900	S.CER C1608 JB 1H 103K-T	T	98.4/100.4
C255	4510008520	S.ELE EEE1CA470SP	T	115.8/116.9
C256	4030006900	S.CER C1608 JB 1H 103K-T	T	97.6/82.8
C257	4510007130	S.ELE EEFCD 0J 470R	T	93.2/81.3
C258	4030011600	S.CER C1608 JB 1E 104K-T	T	99/75.1
C259	4030011600	S.CER C1608 JB 1E 104K-T	B	100.3/91.9
C260	4030011600	S.CER C1608 JB 1E 104K-T	B	122.9/139.6
C261	4030011600	S.CER C1608 JB 1E 104K-T	B	121.6/139.6
C262	4030011600	S.CER C1608 JB 1E 104K-T	B	114.4/141
C263	4030011600	S.CER C1608 JB 1E 104K-T	B	109.2/131.5
C264	4030011600	S.CER C1608 JB 1E 104K-T	B	114.4/142.3
C265	4510008540	S.ELE EEE1CA100SR	T	116.1/143.5
C266	4030011600	S.CER C1608 JB 1E 104K-T	T	111.3/143.6
C267	4030007100	S.CER C1608 CH 1H 560J-T	B	119.8/143.9
C268	4030007100	S.CER C1608 CH 1H 560J-T	B	119.8/150.3
C269	4030007100	S.CER C1608 CH 1H 560J-T	B	113/147.6
C270	4030007050	S.CER C1608 CH 1H 220J-T	B	121.8/143.2
C271	4030007050	S.CER C1608 CH 1H 220J-T	B	121.8/149.6
C272	4030007050	S.CER C1608 CH 1H 220J-T	B	113.4/152.3
C273	4030011600	S.CER C1608 JB 1E 104K-T	B	163.2/97.9
C274	4030007170	S.CER C1608 CH 1H 221J-T	B	172.4/102.5
C275	4030007170	S.CER C1608 CH 1H 221J-T	B	172.4/99.7
C276	4030007050	S.CER C1608 CH 1H 220J-T	T	2.2/64.9
C277	4030007050	S.CER C1608 CH 1H 220J-T	T	9.4/64
C278	4510008500	S.ELE EEE1CA101WP	T	14.3/67.5
C279	4030007050	S.CER C1608 CH 1H 220J-T	T	18.8/66.8
C280	4030007050	S.CER C1608 CH 1H 220J-T	T	18.8/69.5
C282	4030011600	S.CER C1608 JB 1E 104K-T	B	13.8/71.1
C283	4030017490	S.CER C1608 JB 1A 105K-T	B	2.4/66.9
C284	4030011600	S.CER C1608 JB 1E 104K-T	B	85/122.7
C285	4550007520	S.TAN F931A106MAABMA	B	85.4/120.9
C286	4550007520	S.TAN F931A106MAABMA	B	77.4/125
C287	4030011600	S.CER C1608 JB 1E 104K-T	B	81.8/126.1
C288	4550007520	S.TAN F931A106MAABMA	B	77.4/129.8
C289	4030011600	S.CER C1608 JB 1E 104K-T	B	81.8/128.7
C290	4510008540	S.ELE EEE1CA100SR	T	40.7/117.8
C296	4030011600	S.CER C1608 JB 1E 104K-T	B	85.8/138
C297	4550007520	S.TAN F931A106MAABMA	B	82.8/141.7
C298	4030011600	S.CER C1608 JB 1E 104K-T	B	81.8/134
C299	4550007520	S.TAN F931A106MAABMA	B	78.4/133.4
C300	4030007130	S.CER C1608 CH 1H 101J-T	B	154.9/97.2
C301	4030007130	S.CER C1608 CH 1H 101J-T	B	154.9/115.3
C302	4030007130	S.CER C1608 CH 1H 101J-T	T	132.1/80.9
C303	4030007130	S.CER C1608 CH 1H 101J-T	T	96.9/95.2
C305	4030007130	S.CER C1608 CH 1H 101J-T	T	103.3/106.5
C306	4030007130	S.CER C1608 CH 1H 101J-T	T	98.9/82.8
C307	4030007130	S.CER C1608 CH 1H 101J-T	B	15.1/71.1
C308	4030007130	S.CER C1608 CH 1H 101J-T	B	3.7/66.9
C310	4030007130	S.CER C1608 CH 1H 101J-T	T	111.3/142.3
C311	4030007130	S.CER C1608 CH 1H 101J-T	B	110.5/131.5
C312	4030007130	S.CER C1608 CH 1H 101J-T	B	160.9/95.8
C313	4030007130	S.CER C1608 CH 1H 101J-T	B	173.8/105.7
C314	4030007130	S.CER C1608 CH 1H 101J-T	B	80.5/128.7
C315	4030007130	S.CER C1608 CH 1H 101J-T	B	80.5/126.1
C316	4030007130	S.CER C1608 CH 1H 101J-T	B	85.8/136.7
C317	4030011600	S.CER C1608 JB 1E 104K-T	B	107.6/124.1
C380	4030007120	S.CER C1608 CH 1H 820J-T	T	109.6/123.1
C381	4030007120	S.CER C1608 CH 1H 820J-T	B	102/116.4
C401	4030011600	S.CER C1608 JB 1E 104K-T	B	42.9/76.5
C402	4030011600	S.CER C1608 JB 1E 104K-T	B	37/76.5
C403	4030011600	S.CER C1608 JB 1E 104K-T	B	25.8/67.6
C404	4030011600	S.CER C1608 JB 1E 104K-T	B	25.8/60.4
C405	4030011600	S.CER C1608 JB 1E 104K-T	B	34.9/50.6
C406	4030011600	S.CER C1608 JB 1E 104K-T	B	40.1/50.6
C407	4030011600	S.CER C1608 JB 1E 104K-T	B	44.4/50.6
C408	4030011600	S.CER C1608 JB 1E 104K-T	B	53.2/57.3
C409	4030011600	S.CER C1608 JB 1E 104K-T	B	53.4/62.5
C410	4030011600	S.CER C1608 JB 1E 104K-T	B	53.4/66
C411	4030011600	S.CER C1608 JB 1E 104K-T	B	55.6/51.2
C412	4030006860	S.CER C1608 JB 1H 102K-T	T	44/59.7
C413	4030006900	S.CER C1608 JB 1H 103K-T	T	41.4/59.7
C414	4030007150	S.CER C1608 CH 1H 151J-T	T	42.7/59.7

[LOGIC-A UNIT] (For [USA])

REF NO.	ORDER NO.	DESCRIPTION	M.	H/V LOCATION
C415	4030011600	S.CER C1608 JB 1E 104K-T	B	29.9/45.5
C416	4510008540	S.ELE EEE1CA100SR	T	40.6/45.8
C417	4030011600	S.CER C1608 JB 1E 104K-T	B	29.8/47.6
C418	4510008540	S.ELE EEE1CA100SR	T	35.4/51.7
C419	4030006900	S.CER C1608 JB 1H 103K-T	T	39.7/75.5
C420	4030007150	S.CER C1608 CH 1H 151J-T	T	39.7/74.2
C421	4550007520	S.TAN F931A106MAABMA	B	34.4/41.8
C422	4030011600	S.CER C1608 JB 1E 104K-T	T	37/77.3
C423	4030011600	S.CER C1608 JB 1E 104K-T	B	50/100.1
C424	4030011600	S.CER C1608 JB 1E 104K-T	B	53.3/96.3
C425	4030011600	S.CER C1608 JB 1E 104K-T	B	49.3/86.4
C426	4030011600	S.CER C1608 JB 1E 104K-T	B	49.5/82.7
C427	4030011600	S.CER C1608 JB 1E 104K-T	B	41.5/77.8
C428	4030011600	S.CER C1608 JB 1E 104K-T	B	35.5/77.8
C429	4030011600	S.CER C1608 JB 1E 104K-T	B	32.9/77.8
C430	4030011600	S.CER C1608 JB 1E 104K-T	B	23.5/99.4
C431	4030011600	S.CER C1608 JB 1E 104K-T	B	27/87.4
C432	4030011600	S.CER C1608 JB 1E 104K-T	B	27/94
C433	4030011600	S.CER C1608 JB 1E 104K-T	B	27/97.2
C434	4030011600	S.CER C1608 JB 1E 104K-T	B	31.9/105.2
C435	4030011600	S.CER C1608 JB 1E 104K-T	B	35.5/105.2
C436	4030011600	S.CER C1608 JB 1E 104K-T	B	40.4/105.2
C437	4030011600	S.CER C1608 JB 1E 104K-T	T	32.4/108.5
C438	4030011600	S.CER C1608 JB 1E 104K-T	T	22.4/105.7
C439	4030011600	S.CER C1608 JB 1E 104K-T	T	27.5/122.5
C440	4030019220	S.CER C4532X7R3D222KT	T	19.8/126.2
C441	4030007130	S.CER C1608 CH 1H 101J-T	T	46.1/104.6
C442	4030011600	S.CER C1608 JB 1E 104K-T	T	46.1/105.9
C443	4030011600	S.CER C1608 JB 1E 104K-T	B	41.9/47.3
C444	4030007130	S.CER C1608 CH 1H 101J-T	B	24.5/60.4
C445	4030007130	S.CER C1608 CH 1H 101J-T	B	29.9/44.2
C446	4030007130	S.CER C1608 CH 1H 101J-T	B	31.1/47.6
C447	4030007130	S.CER C1608 CH 1H 101J-T	T	37/76
C448	4030007130	S.CER C1608 CH 1H 101J-T	B	26.5/80
C449	4030007130	S.CER C1608 CH 1H 101J-T	T	33.7/108.5
C450	4030007130	S.CER C1608 CH 1H 101J-T	T	23.7/105.7
C451	4030007130	S.CER C1608 CH 1H 101J-T	T	26.2/122.5
C452	4030011340	S.CER C1608 CH 1H 471J-T	T	38.7/58.7
C453	4030011600	S.CER C1608 JB 1E 104K-T	T	38.7/60
C501	4510008540	S.ELE EEE1CA100SR	T	150.1/128
C502	4030011600	S.CER C1608 JB 1E 104K-T	T	146.3/129.3
C503	4030011600	S.CER C1608 JB 1E 104K-T	T	146.3/131.9
C504	4030011600	S.CER C1608 JB 1E 104K-T	T	146.3/143.1
C505	4030011600	S.CER C1608 JB 1E 104K-T	T	137.2/146.2
C506	4030011600	S.CER C1608 JB 1E 104K-T	T	132.7/146.2
C507	4030011600	S.CER C1608 JB 1E 104K-T	T	126.3/143.1
C508	4030011600	S.CER C1608 JB 1E 104K-T	T	126.3/137.7
C509	4030011600	S.CER C1608 JB 1E 104K-T	T	126.3/134.6
C510	4030011600	S.CER C1608 JB 1E 104K-T	T	126.3/129
C511	4030011600	S.CER C1608 JB 1E 104K-T	T	131.8/123.9
C512	4030011600	S.CER C1608 JB 1E 104K-T	T	141/123.9
C513	4510008540	S.ELE EEE1CA100SR	T	150.4/134.5
C514	4030011600	S.CER C1608 JB 1E 104K-T	T	146.3/134.7
C515	4030011600	S.CER C1608 JB 1E 104K-T	T	146.3/137.3
C516	4030011600	S.CER C1608 JB 1E 104K-T	T	146.9/140.3
C517	4030008920	S.CER C1608 JB 1H 473K-T	B	140.2/132.7
C518	4030008920	S.CER C1608 JB 1H 473K-T	B	140.2/134
C519	4030008920	S.CER C1608 JB 1H 473K-T	B	140.2/136.6
C520	4030008920	S.CER C1608 JB 1H 473K-T	B	140.2/137.9
C521	4030008920	S.CER C1608 JB 1H 473K-T	B	140.2/139.2
C522	4030008920	S.CER C1608 JB 1H 473K-T	T	149/139.5
C523	4030008920	S.CER C1608 JB 1H 473K-T	B	137.4/135.3
C524	4030008920	S.CER C1608 JB 1H 473K-T	B	137.4/140.5
C525	4030007130	S.CER C1608 CH 1H 101J-T	T	147.6/137.3
C526	4030007130	S.CER C1608 CH 1H 101J-T	T	132.7/147.5
C550	4030006880	S.CER C1608 JB 1H 472K-T	B	147/21.6
C551	4030011600	S.CER C1608 JB 1E 104K-T	B	126.7/33.3
C552	4030011600	S.CER C1608 JB 1E 104K-T	B	128.7/37.5
C553	4030011600	S.CER C1608 JB 1E 104K-T	B	141.2/47.9
C554	4030011600	S.CER C1608 JB 1E 104K-T	B	140.9/23.5
C555	4510008540	S.ELE EEE1CA100SR</		

[LOGIC-A UNIT] (For [USA])

REF NO.	ORDER NO.	DESCRIPTION	M.	H/V LOCATION
C624	4030006880	S.CER C1608 JB 1H 472K-T	B	88/40.4
C625	4030007130	S.CER C1608 CH 1H 101J-T	B	86.3/38.5
C626	4030011600	S.CER C1608 JB 1E 104K-T	B	75.1/35.3
C627	4030011600	S.CER C1608 JB 1E 104K-T	B	78.4/35.3
C628	4030011600	S.CER C1608 JB 1E 104K-T	B	81.3/44.1
C629	4030011600	S.CER C1608 JB 1E 104K-T	B	68.5/52.5
C630	4030011600	S.CER C1608 JB 1E 104K-T	B	165.6/66.7
C631	4030011600	S.CER C1608 JB 1E 104K-T	B	163.6/63.1
C632	4030011600	S.CER C1608 JB 1E 104K-T	B	148.1/79.9
C633	4030011600	S.CER C1608 JB 1E 104K-T	B	152.9/81.7
C634	4030011600	S.CER C1608 JB 1E 104K-T	B	167.4/72
C635	4030011600	S.CER C1608 JB 1E 104K-T	B	145.8/73.5
C636	4030011600	S.CER C1608 JB 1E 104K-T	B	145.8/67.1
C637	4510008540	S.ELE EEE1CA100SR	T	116.5/47.3
C638	4030011600	S.CER C1608 JB 1E 104K-T	T	21.2/132.3
C639	4030011600	S.CER C1608 JB 1E 104K-T	T	21.2/135.4
C640	4030007130	S.CER C1608 CH 1H 101J-T	B	73.2/34.5
C641	4030007130	S.CER C1608 CH 1H 101J-T	B	80.3/37.2
C642	4030007130	S.CER C1608 CH 1H 101J-T	B	80/44.1
C643	4030007130	S.CER C1608 CH 1H 101J-T	B	69.8/51.5
C644	4030007130	S.CER C1608 CH 1H 101J-T	B	145.8/69.8
C645	4030007130	S.CER C1608 CH 1H 101J-T	T	22.5/132.9
C801	4510008540	S.ELE EEE1CA100SR	T	183/147.2
C802	4030011600	S.CER C1608 JB 1E 104K-T	B	169.5/148.9
C803	4030011600	S.CER C1608 JB 1E 104K-T	B	169.5/151.8
C804	4510008540	S.ELE EEE1CA100SR	T	183/152
C805	4510008540	S.ELE EEE1CA100SR	T	191.5/142.4
C806	4030011600	S.CER C1608 JB 1E 104K-T	B	191.9/131.1
C807	4030011600	S.CER C1608 JB 1E 104K-T	B	189/131.1
C808	4510008540	S.ELE EEE1CA100SR	T	186.7/142.4
C809	4510008540	S.ELE EEE1CA100SR	T	22.8/8.3
C810	4030011600	S.CER C1608 JB 1E 104K-T	B	30.6/6.6
C811	4030011600	S.CER C1608 JB 1E 104K-T	B	30.6/3.7
C812	4510008540	S.ELE EEE1CA100SR	T	22.8/3.5
C813	4510008540	S.ELE EEE1CA100SR	T	181.3/38.6
C814	4030011600	S.CER C1608 JB 1E 104K-T	B	176.6/36.7
C815	4030011600	S.CER C1608 JB 1E 104K-T	B	176.6/39.6
C816	4510008520	S.ELE EEE1CA470SP	T	175.2/39.8
C817	4550007520	S.TAN F931A106MAABMA	B	9.7/18.1
C818	4030011600	S.CER C1608 JB 1E 104K-T	B	11.6/19.1
C819	4030011600	S.CER C1608 JB 1E 104K-T	B	17.2/20.5
C820	4550007210	S.TAN F930G476MBABMA	B	20.1/22.3
C823	4030006860	S.CER C1608 JB 1H 102K-T	B	182.3/51.5
C824	4030007130	S.CER C1608 CH 1H 101J-T	B	186.2/51.5
C825	4030006860	S.CER C1608 JB 1H 102K-T	B	182.4/55.2
C826	4030007130	S.CER C1608 CH 1H 101J-T	B	186.2/55.3
C827	4030018960	S.CER C3216 JB 1C 106MT-N	T	44.1/144.5
C828	4030011600	S.CER C1608 JB 1E 104K-T	B	44.1/145.9
C829	4030011600	S.CER C1608 JB 1E 104K-T	B	44.1/148.7
C830	4030018960	S.CER C3216 JB 1C 106MT-N	T	44.1/149.5
C847	4510008520	S.ELE EEE1CA470SP	T	187.1/71
C851	4030006860	S.CER C1608 JB 1H 102K-T	B	130.3/9.4
C852	4030006860	S.CER C1608 JB 1H 102K-T	B	137.8/9.4
C853	4030006860	S.CER C1608 JB 1H 102K-T	B	140.3/9.4
C854	4030006860	S.CER C1608 JB 1H 102K-T	B	142.8/9.5
C861	4030006860	S.CER C1608 JB 1H 102K-T	B	48.7/9.5
C862	4030006860	S.CER C1608 JB 1H 102K-T	B	51.2/9.5
C863	4030006860	S.CER C1608 JB 1H 102K-T	B	56.2/9.5
C864	4030006860	S.CER C1608 JB 1H 102K-T	B	58.7/9.5
C865	4030006860	S.CER C1608 JB 1H 102K-T	B	63.7/9.5
C866	4030006860	S.CER C1608 JB 1H 102K-T	B	68.7/9.5
C871	4030007050	S.CER C1608 CH 1H 220J-T	T	43.4/42.5
C872	4030007050	S.CER C1608 CH 1H 220J-T	T	43.4/28.7
C873	4030007050	S.CER C1608 CH 1H 220J-T	T	44.7/42.5
C874	4030006860	S.CER C1608 JB 1H 102K-T	T	44.7/28.7
C875	4030006860	S.CER C1608 JB 1H 102K-T	T	46/42.5
C876	4030006860	S.CER C1608 JB 1H 102K-T	T	47.3/28.7
C877	4030006860	S.CER C1608 JB 1H 102K-T	T	47.3/42.5
C878	4030006860	S.CER C1608 JB 1H 102K-T	T	48.6/28.7
C879	4030006860	S.CER C1608 JB 1H 102K-T	T	48.6/42.5
C880	4030007050	S.CER C1608 CH 1H 220J-T	T	49.9/28.7
C881	4030007050	S.CER C1608 CH 1H 220J-T	T	49.9/42.5
C882	4030007050	S.CER C1608 CH 1H 220J-T	T	51.2/28.7
C883	4030007050	S.CER C1608 CH 1H 220J-T	T	51.2/42.5
C884	4030007050	S.CER C1608 CH 1H 220J-T	T	52.5/28.7
C885	4030007050	S.CER C1608 CH 1H 220J-T	T	52.5/42.5
C886	4030007050	S.CER C1608 CH 1H 220J-T	T	53.8/28.7
C887	4030007050	S.CER C1608 CH 1H 220J-T	T	53.8/42.5
C888	4030007050	S.CER C1608 CH 1H 220J-T	T	55.1/42.5
C889	4030007050	S.CER C1608 CH 1H 220J-T	T	55.1/28.7
C890	4030007050	S.CER C1608 CH 1H 220J-T	T	56.4/42.5
C891	4030007050	S.CER C1608 CH 1H 220J-T	T	56.4/28.7
C892	4030007050	S.CER C1608 CH 1H 220J-T	T	57.7/42.5
C893	4030007050	S.CER C1608 CH 1H 220J-T	T	57.7/28.7
C894	4030007050	S.CER C1608 CH 1H 220J-T	T	59/42.5
C895	4030006860	S.CER C1608 JB 1H 102K-T	T	59/28.7
C896	4030007050	S.CER C1608 CH 1H 220J-T	T	60.3/42.5
C897	4030007050	S.CER C1608 CH 1H 220J-T	T	60.3/28.7
C911	4030006900	S.CER C1608 JB 1H 103K-T	B	10.3/132.5
C912	4030006900	S.CER C1608 JB 1H 103K-T	B	6.6/128.1
C913	4030006900	S.CER C1608 JB 1H 103K-T	B	5.5/132.8
C914	4030006900	S.CER C1608 JB 1H 103K-T	B	6.6/126.8
C915	4030006900	S.CER C1608 JB 1H 103K-T	B	9.3/122.8
C916	4030006900	S.CER C1608 JB 1H 103K-T	B	6.6/125.5
C917	4030006900	S.CER C1608 JB 1H 103K-T	B	9/132.5
C918	4030006900	S.CER C1608 JB 1H 103K-T	B	6.6/124.2
C919	4030006900	S.CER C1608 JB 1H 103K-T	T	10/126.2
C920	4030006900	S.CER C1608 JB 1H 103K-T	T	6.6/122.9
C921	4030006900	S.CER C1608 JB 1H 103K-T	T	8.6/123.6
C922	4030006900	S.CER C1608 JB 1H 103K-T	T	6.6/121.6
C923	4030006900	S.CER C1608 JB 1H 103K-T	T	6.6/129.4
C924	4030006860	S.CER C1608 JB 1H 102K-T	T	11.3/142.7
C925	4030007130	S.CER C1608 CH 1H 101J-T	T	10/142.7
C926	4030006860	S.CER C1608 JB 1H 102K-T	B	10.7/135.6

[LOGIC-A UNIT] (For [USA])

REF NO.	ORDER NO.	DESCRIPTION	M.	H/V LOCATION
C927	4030007130	S.CER C1608 CH 1H 101J-T	B	13.9/135.5
C928	4030006860	S.CER C1608 JB 1H 102K-T	B	12/133
C929	4030007130	S.CER C1608 CH 1H 101J-T	B	13.9/134.2
C930	4030006860	S.CER C1608 JB 1H 102K-T	B	7/137.5
C931	4030006860	S.CER C1608 JB 1H 102K-T	T	64.6/138.2
C932	4030006860	S.CER C1608 JB 1H 102K-T	T	62.6/138.2
C933	4030006860	S.CER C1608 JB 1H 102K-T	T	59.6/137
C934	4030006860	S.CER C1608 JB 1H 102K-T	T	55.8/138.4
C935	4030006860	S.CER C1608 JB 1H 102K-T	T	51/151.5
C936	4030006860	S.CER C1608 JB 1H 102K-T	T	52.6/138.5
C937	4030007130	S.CER C1608 CH 1H 101J-T	B	7/138.8
C938	4030006860	S.CER C1608 JB 1H 102K-T	B	7/136.1
C939	4030007130	S.CER C1608 CH 1H 101J-T	B	7/134.7
C940	4030006860	S.CER C1608 JB 1H 102K-T	B	4/110.6
C941	4030006900	S.CER C1608 JB 1H 103K-T	T	73.6/138.1
C942	4030006900	S.CER C1608 JB 1H 103K-T	T	74.9/137.1
C943	4030006900	S.CER C1608 JB 1H 103K-T	T	76.2/137.1
C944	4030006900	S.CER C1608 JB 1H 103K-T	T	77.5/137.1
C945	4030006900	S.CER C1608 JB 1H 103K-T	T	80.1/138.7
C946	4030006900	S.CER C1608 JB 1H 103K-T	T	81.5/136.2
C947	4030007050	S.CER C1608 CH 1H 220J-T	T	83.2/137.7
C948	4030007050	S.CER C1608 CH 1H 220J-T	T	84.5/137.7
C949	4030007050	S.CER C1608 CH 1H 220J-T	T	85.8/137.6
C950	4030007050	S.CER C1608 CH 1H 220J-T	T	87.1/137.6
C951	4030007050	S.CER C1608 CH 1H 220J-T	T	88.4/137.6
C952	4030007050	S.CER C1608 CH 1H 220J-T	T	89.7/137.6
C953	4030007050	S.CER C1608 CH 1H 220J-T	T	91/137.6
C954	4030006880	S.CER C1608 JB 1H 472K-T	T	96.1/137.9
C955	4030006880	S.CER C1608 JB 1H 472K-T	T	98.7/137.9
C956	4030006880	S.CER C1608 JB 1H 472K-T	T	101/137.6
C957	4030006880	S.CER C1608 JB 1H 472K-T	T	102.3/137.6
C958	4030007130	S.CER C1608 CH 1H 101J-T	B	4/109.3
C959	4030006860	S.CER C1608 JB 1H 102K-T	B	8.5/101.3
C960	4030006860	S.CER C1608 JB 1H 102K-T	T	27.8/20.1
C961	4030006880	S.CER C1608 JB 1H 472K-T	T	173.4/12.8
C962	4030006880	S.CER C1608 JB 1H 472K-T	T	173.4/15.5
C963	4030006880	S.CER C1608 JB 1H 472K-T	T	173.4/18.1
C964	4030007050	S.CER C1608 CH 1H 220J-T	T	173.4/22
C965	4030007050	S.CER C1608 CH 1H 220J-T	T	173.4/23.3
C966	4030007050	S.CER C1608 CH 1H 220J-T	T	173.4/24.6
C967	4030006880	S.CER C1608 JB 1H 472K-T	T	173.4/29.8
C968	4030006880	S.CER C1608 JB 1H 472K-T	T	173.4/31.5
C969	4030006880	S.CER C1608 JB 1H 472K-T	T	173.4/28.2
C970	4030007050	S.CER C1608 CH 1H 220J-T	T	173.4/25.9
C971	4030007050	S.CER C1608 CH 1H 220J-T	T	173.4/20.7
C972	4030006880	S.CER C1608 JB 1H 472K-T	T	173.4/19.4
C973	4030006880	S.CER C1608 JB 1H 472K-T	T	173.4/16.8
C974	4030006880	S.CER C1608 JB 1H 472K-T	T	173.4/14.2
C975	4030007130	S.CER C1608 CH 1H 101J-T	B	8.5/102.6
C976	4030011340	S.CER C1608 CH 1H 471J-T	T	176.9/127.1
C977	4030011340	S.CER C1608 CH 1H 471J-T	T	176.9/128.4
C978	4030011340	S.CER C1608 CH 1H 471J-T	T	176.9/129.7
C979	4030006880	S.CER C1608 JB 1H 472K-T	T	176.9/131
C980	4030006880	S.CER C1608 JB 1H 472K-T	T	176.9/133
C981	4030006880	S.CER C1608 JB 1H 472K-T	T	176.9/135.6
C982	4030011340	S.CER C1608 CH 1H 471J-T	T	27.7/138.1
C983	4030011340	S.CER C1608 CH 1H 471J-T	T	29/138.1
C984	4030006880	S.CER C1608 JB 1H 472K-T	T	31.2/136.3
C985	4030006880	S.CER C1608 JB 1H 472K-T	T	34.7/137
C986	4030006880	S.CER C1608 JB 1H 472K-T	T	36/137
C987	4030006880	S.CER C1608 JB 1H 472K-T	T	38.2/137.6
C991	4030006880	S.CER C1608 JB 1H 472K-T	T	37/10.3
C992	4030006880	S.CER C1608 JB 1H 472K-T	T	41.4/8.9
C1001	4510008540	S.ELE EEE1CA100SR	T	40.7/122.6
C1002	4510008560	S.ELE EEE1HAR47SR	T	16.1/139.4
C1004	4030011600	S.CER C1608 JB 1E 104K-T	B	29.5/122
C1005	4510008540	S.ELE EEE1CA100SR	T	31.1/129.3
C1006	4030011600	S.CER C1608 JB 1E 104K-T	B	29.5/133
C1007	4510008540	S.ELE EEE1CA100SR	T	25.6/130.6
C1011	4510008540	S.ELE EEE1CA100SR	T	40.7/127.4
C1012	4030009490	S.CER C1608 JB 1H 821K-T	B	23.4/132.3
C1013	4030009490	S.CER C1608 JB 1H 821K-T	B	28.2/13

[LOGIC-A UNIT] (For [S40])

REF NO.	ORDER NO.	DESCRIPTION	M.	H/V LOCATION
C1404	4030007170	S.CER C1608 CH 1H 221J-T	T	125.3/24.6
C1405	4030007170	S.CER C1608 CH 1H 221J-T	T	126.7/24.6
C1406	4030007170	S.CER C1608 CH 1H 221J-T	T	128.1/24.6
C1407	4030007170	S.CER C1608 CH 1H 221J-T	T	129.5/24.6
C1408	4030007170	S.CER C1608 CH 1H 221J-T	T	130.9/24.6
C1409	4030007170	S.CER C1608 CH 1H 221J-T	T	132.3/24.6
C1410	4030007170	S.CER C1608 CH 1H 221J-T	T	133.7/24.6
C1411	4030007170	S.CER C1608 CH 1H 221J-T	T	135.1/24.6
J1	6510022490	S.CON AXK5S30045P	T	54.7/113
J2	6510019870	S.CON AXK5S40045P	T	99.7/113
J52	6510023261	S.CON B6B-PH-SM4-TB(LF)(SN)	T	161.7/94.7
J102	6510019981	S.CON 52808-1671(1690)	T	87.2/55
J604	6510019971	S.CON 52808-1071	T	87.2/38
J801	6510003441	CON B08B-EH-S(LF)(SN)		
J802	6510003461	CON B10B-EH-S(LF)(SN)		
J803	6510020251	S.CON B9B-PH-SM4-TB(LF)(SN)	T	14/113.8
J805	6510020081	S.CON 52808-2071(2090)	T	188/53.7
J806	6510022472	S.CON 40FLT-SM2-TB(LF)(SN)(M)	T	188/85.9
J811	6510021722	S.CON 30FLT-SM2-TB(LF)(SN)(M)	T	5.1/112
J812	6510021722	S.CON 30FLT-SM2-TB(LF)(SN)(M)	T	5.1/130.6
J813	6510024151	S.CON 50FY-BMT-TB(LF)(SN)	T	5.3/46.2
J814	6510019981	S.CON 52808-1671(1690)	T	58.1/146.5
J815	6510021722	S.CON 30FLT-SM2-TB(LF)(SN)(M)	T	51.9/35.6
J816	6510024522	S.CON 12FLT-SM2-TB(LF)(SN)(M)	T	5.8/66
J817	6510020081	S.CON 52808-2071(2090)	T	81.5/146.5
J818	6510019971	S.CON 52808-1071	T	101.5/146.5
J819	6510021722	S.CON 30FLT-SM2-TB(LF)(SN)(M)	T	188/21.1
J820	6510019981	S.CON 52808-1671(1690)	T	188/129.5
J821	6510019981	S.CON 52808-1671(1690)	T	30.8/146.5
J822	6510020521	S.CON 52808-1271(1290)	T	35.6/4.2
J851	6510018961	S.CON B2B-PH-SM4-TB(LF)(SN)	T	153.7/146.5
J852	6510018961	S.CON B2B-PH-SM4-TB(LF)(SN)	T	165.1/146.5
J853	6510019981	S.CON 52808-1671(1690)	T	33.6/15.2
J900	6510021722	S.CON 30FLT-SM2-TB(LF)(SN)(M)	T	128.4/31.5
DS401	5040002930	S.LED SML-512MW T86	T	40.5/104.6
DS402	5040002930	S.LED SML-512MW T86	T	40.5/103.3
DS403	5040002930	S.LED SML-512MW T86	T	40.5/102
S51	2260001890	S.SWI SKQDPA	T	170.5/56.7
T401	5920000841	S.TRA H1102NL <QUA>	T	27/115.4
EP1	0910062402	PCB B 6781B LO-A IVH RX2844		
EP2	6910015970	S.BEA MMZ1608B 301CT-AS	T	58.1/120.5
EP3	6910015970	S.BEA MMZ1608B 301CT-AS	T	108.9/117
EP4	6910015970	S.BEA MMZ1608B 301CT-AS	B	72.4/115.3
EP5	6910015970	S.BEA MMZ1608B 301CT-AS	T	61.5/121.7
EP51	6910015970	S.BEA MMZ1608B 301CT-AS	B	102.4/81.2
EP52	6910015970	S.BEA MMZ1608B 301CT-AS	B	142.2/87.3
EP53	6910015970	S.BEA MMZ1608B 301CT-AS	T	155.3/51.8
EP54	6910015970	S.BEA MMZ1608B 301CT-AS	T	164.6/55
EP55	6910015970	S.BEA MMZ1608B 301CT-AS	T	117.2/52.7
EP104	6910015970	S.BEA MMZ1608B 301CT-AS	T	36.5/86.9
EP105	6910015970	S.BEA MMZ1608B 301CT-AS	T	79.5/51.7
EP106	6910015970	S.BEA MMZ1608B 301CT-AS	T	26.4/72.7
EP107	6910015970	S.BEA MMZ1608B 301CT-AS	T	20.9/87.5
EP108	6910015970	S.BEA MMZ1608B 301CT-AS	T	22.2/88.9
EP109	6910015970	S.BEA MMZ1608B 301CT-AS	T	49.8/101.1
EP110	6910015970	S.BEA MMZ1608B 301CT-AS	T	90.7/97.1
EP111	6910015970	S.BEA MMZ1608B 301CT-AS	T	16.8/89.6
EP201	6910012350	S.BEA MMZ1608Y 102BT	T	111.3/146.3
EP202	6910012350	S.BEA MMZ1608Y 102BT	T	111.3/144.9
EP203	6910012350	S.BEA MMZ1608Y 102BT	T	99.2/102.2
EP204	6910012350	S.BEA MMZ1608Y 102BT	T	96.3/83.6
EP205	6910015970	S.BEA MMZ1608B 301CT-AS	B	155.2/100
EP206	6910015970	S.BEA MMZ1608B 301CT-AS	B	147.4/118.9
EP207	6910015970	S.BEA MMZ1608B 301CT-AS	T	132.1/78.1
EP208	6910015970	S.BEA MMZ1608B 301CT-AS	T	94/94.7
EP211	6910015970	S.BEA MMZ1608B 301CT-AS	B	107.9/131.5
EP212	6910015970	S.BEA MMZ1608B 301CT-AS	B	160.5/97.9
EP213	6910015970	S.BEA MMZ1608B 301CT-AS	B	175.3/104.4
EP214	6910015970	S.BEA MMZ1608B 301CT-AS	B	78.6/126.8
EP215	6910015970	S.BEA MMZ1608B 301CT-AS	B	78.7/128.1
EP216	6910015970	S.BEA MMZ1608B 301CT-AS	B	83/137.9
EP217	6910015970	S.BEA MMZ1608B 301CT-AS	B	16.4/71.1
EP218	6910014730	S.BEA MPZ2012S331A-T	T	10.1/72.6
EP219	6910015970	S.BEA MMZ1608B 301CT-AS	B	107.6/125.4
EP401	6910013310	S.BEA MMZ1608D121B	T	34.1/94.6
EP402	6910013310	S.BEA MMZ1608D121B	T	32/90.6
EP403	6910013310	S.BEA MMZ1608D121B	T	34.1/97.5
EP404	6910015970	S.BEA MMZ1608B 301CT-AS	B	23.2/61.9
EP405	6910012350	S.BEA MMZ1608Y 102BT	T	36.8/59.4
EP411	6910014730	S.BEA MPZ2012S331A-T	T	40.1/41
EP412	6910014730	S.BEA MPZ2012S331A-T	T	36.4/47.8
EP421	6910015970	S.BEA MMZ1608B 301CT-AS	B	23.9/78.8
EP422	6910015970	S.BEA MMZ1608B 301CT-AS	T	35.5/81.3
EP423	6910015970	S.BEA MMZ1608B 301CT-AS	T	46.1/102
EP431	6910015970	S.BEA MMZ1608B 301CT-AS	T	34.4/114.1
EP501	6910015970	S.BEA MMZ1608B 301CT-AS	T	151.4/138
EP502	6910015970	S.BEA MMZ1608B 301CT-AS	T	146.3/126.5
EP503	6910015970	S.BEA MMZ1608B 301CT-AS	T	138.5/30
EP504	6910015970	S.BEA MMZ1608B 301CT-AS	B	153.5/37.9
EP601	6910015970	S.BEA MMZ1608B 301CT-AS	B	58.3/34.9
EP602	6910015970	S.BEA MMZ1608B 301CT-AS	B	119.3/51.9
EP603	6910015970	S.BEA MMZ1608B 301CT-AS	B	86.8/35.8
EP604	6910015970	S.BEA MMZ1608B 301CT-AS	B	82.9/37.7
EP605	6910015970	S.BEA MMZ1608B 301CT-AS	B	75.5/34

[LOGIC-A UNIT] (For [USA])

REF NO.	ORDER NO.	DESCRIPTION	M.	H/V LOCATION
EP606	6910015970	S.BEA MMZ1608B 301CT-AS	B	81/35.3
EP607	6910015970	S.BEA MMZ1608B 301CT-AS	B	80.7/42.2
EP608	6910015970	S.BEA MMZ1608B 301CT-AS	B	70.4/53.3
EP609	6910015970	S.BEA MMZ1608B 301CT-AS	B	45.7/33.3
EP621	6910015970	S.BEA MMZ1608B 301CT-AS	T	21.2/129.5
EP631	6910015970	S.BEA MMZ1608B 301CT-AS	B	144.5/73.5
EP801	6910013310	S.BEA MMZ1608D121B	T	180.7/96.6
EP802	6910013310	S.BEA MMZ1608D121B	T	178.1/95.9
EP803	6910013310	S.BEA MMZ1608D121B	T	180.7/95.2
EP804	6910013310	S.BEA MMZ1608D121B	T	178.1/94.5
EP805	6910013310	S.BEA MMZ1608D121B	T	180.7/93.8
EP806	6910013310	S.BEA MMZ1608D121B	T	178.1/93.1
EP807	6910013310	S.BEA MMZ1608D121B	T	180.7/92.4
EP808	6910013310	S.BEA MMZ1608D121B	T	178.1/91.7
EP809	6910013310	S.BEA MMZ1608D121B	T	180.7/91
EP810	6910013310	S.BEA MMZ1608D121B	T	178.1/90.3
EP811	6910013310	S.BEA MMZ1608D121B	T	180.7/89.6
EP812	6910013310	S.BEA MMZ1608D121B	T	178.1/88.9
EP813	6910013310	S.BEA MMZ1608D121B	T	180.7/88.2
EP814	6910013310	S.BEA MMZ1608D121B	T	178.1/87.5
EP815	6910013310	S.BEA MMZ1608D121B	T	180.7/86.8
EP816	6910013310	S.BEA MMZ1608D121B	T	178.1/86.1
EP817	6910013310	S.BEA MMZ1608D121B	T	180.7/85.4
EP818	6910013310	S.BEA MMZ1608D121B	T	178.1/84.7
EP819	6910013310	S.BEA MMZ1608D121B	T	180.7/84
EP820	6910013310	S.BEA MMZ1608D121B	T	180.7/82
EP822	6910014730	S.BEA MPZ2012S331A-T	T	181.6/48.5
EP823	6910014730	S.BEA MPZ2012S331A-T	T	181.6/51.3
EP825	6910014730	S.BEA MPZ2012S331A-T	T	181.5/55.2
EP826	6910015970	S.BEA MMZ1608B 301CT-AS	T	182.5/57.7
EP827	6910015970	S.BEA MMZ1608B 301CT-AS	T	182.5/60.3
EP828	6910015970	S.BEA MMZ1608B 301CT-AS	T	182.5/61.6
EP829	6910015970	S.BEA MMZ1608B 301CT-AS	T	182.5/59
EP851	6910014730	S.BEA MPZ2012S331A-T	T	135.3/9.8
EP853	6910014730	S.BEA MPZ2012S331A-T	T	137.8/9.8
EP854	6910014730	S.BEA MPZ2012S331A-T	T	140.3/9.8
EP855	6910014730	S.BEA MPZ2012S331A-T	T	142.8/9.8
EP856	6910014730	S.BEA MPZ2012S331A-T	T	132.8/9.9
EP857	6910014730	S.BEA MPZ2012S331A-T	T	130.3/9.9
EP861	6910014730	S.BEA MPZ2012S331A-T	T	66.4/10.1
EP862	6910014730	S.BEA MPZ2012S331A-T	T	68.4/10.1
EP901	6910015970	S.BEA MMZ1608B 301CT-AS	T	8.7/105.3
EP902	6910014730	S.BEA MPZ2012S331A-T	T	2.1/111.2
EP903	6910014730	S.BEA MPZ2012S331A-T	T	9.6/134.5
EP904	6910014730	S.BEA MPZ2012S331A-T	T	15.2/126.1
EP905	6910014730	S.BEA MPZ2012S331A-T	T	71.2/142
EP906	6910014730	S.BEA MPZ2012S331A-T	T	91/151
EP907	6910014730	S.BEA MPZ2012S331A-T	T	106/151
EP908	6910014730	S.BEA MPZ2012S331A-T	T	97/151
EP909	6910014730	S.BEA MPZ2012S331A-T	T	38.3/151
EP910	6910014730	S.BEA MPZ2012S331A-T	T	28.3/151
EP911	6910014730	S.BEA MPZ2012S331A-T	T	9.1/140.6
EP912	6910014730	S.BEA MPZ2012S331A-T	T	9.1/138.9
EP913	6910015970	S.BEA MMZ1608B 301CT-AS	T	9.2/137.3
EP914	6910015970	S.BEA MMZ1608B 301CT-AS	T	9.2/136
EP915	6910015970	S.BEA MMZ1608B 301CT-AS	B	4.2/137.3
EP916	6910015970	S.BEA MMZ1608B 301CT-AS	B	4.2/135.7
EP920	6910015970	S.BEA MMZ1608B 301CT-AS	T	2.2/107.5
EP921	6910014730	S.BEA MPZ2012S331A-T	T	20.9/142
EP931	6910015970	S.BEA MMZ1608B 301CT-AS	T	52.6/141.2
EP932	6910015970	S.BEA MMZ1608B 301CT-AS	T	53.3/150.8
EP933	6910015970	S.BEA MMZ1608B 301CT-AS	T	59.6/140.9
EP934	6910014730	S.BEA MPZ2012S331A-T	T	56.6/140.7
EP941	6910015970	S.BEA MMZ1608B 301CT-AS	T	73.6/140.9
EP942	6910015970	S.BEA MMZ1608B 301CT-AS	T	74.9/140.9
EP943	6910015970	S.BEA MMZ1608B 301CT-AS	T	76.2/140.9
EP944	6910015970	S.BEA MMZ1608B 301CT-AS	T	77.5/140.9
EP945	6910014730	S.BEA MPZ2012S331A-T	T	81.6/140.9
EP951	6910014730	S.BEA MPZ2012S331A-T	T	99.1/140.1
EP952	6910014730	S.BEA MPZ2012S331A-T	T	95.3/140.1
EP961	6910015970	S.BEA MMZ1608B 301CT-AS	T	177.4/19.1
EP963	6910014730	S.BEA MPZ2012S331A-T	T	179.2/26.7
EP964	6910014730	S.BEA MPZ2012S331A-T	T	179.2/28.4
EP965	6910014730	S.BEA MPZ2012S331A-T	T	179.3/30.2
EP971	6910015970	S.BEA MMZ1608B 301CT-AS	T	180.7/133
EP972	6910015970	S.BEA MMZ1608B 301CT-AS	T	180.7/131
EP973	6910015970	S.BEA MMZ1608B 301CT-AS	T	183.2/130
EP974	6910015970	S.BEA MMZ1608B 301CT-AS	T	180.7/129
EP975	6910014730	S.BEA MPZ2012S331A-T	T	181.8/135.6
EP976	6910015970	S.BEA MMZ1608B 301CT-AS	T	183.2/128
EP981	6910015970	S.BEA MMZ1608B 301CT-AS	T	36/140.9
EP982	6910015970	S.BEA MMZ1608B 301CT-AS	T	34.7/140.9
EP983	6910014730	S.BEA MPZ2012S331A-T	T	38.2/140.5
EP984	6910014730	S.BEA MPZ2012S331A-T	T	31.2/140.5
EP				

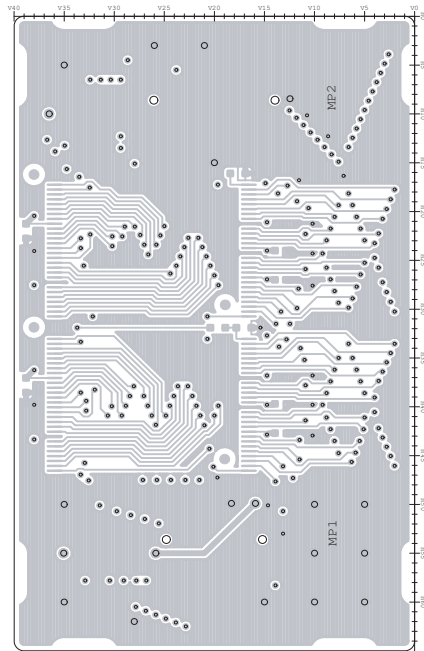
[LOGIC-A UNIT] (For [USA])

REF NO.	ORDER NO.	DESCRIPTION	M.	H/V LOCATION
EP1113	6910013310	S.BEA MMZ1608D121B	T	13.3/38.2
EP1114	6910013310	S.BEA MMZ1608D121B	T	10.5/38.9
EP1115	6910013310	S.BEA MMZ1608D121B	T	13.3/39.6
EP1116	6910013310	S.BEA MMZ1608D121B	T	10.5/40.3
EP1117	6910013310	S.BEA MMZ1608D121B	T	13.3/41
EP1118	6910013310	S.BEA MMZ1608D121B	T	10.5/41.7
EP1119	6910013310	S.BEA MMZ1608D121B	T	13.3/42.4
EP1120	6910013310	S.BEA MMZ1608D121B	T	10.5/43.1
EP1121	6910013310	S.BEA MMZ1608D121B	T	13.3/43.8
EP1122	6910013310	S.BEA MMZ1608D121B	T	10.5/44.5
EP1123	6910013310	S.BEA MMZ1608D121B	T	13.3/45.2
EP1124	6910013310	S.BEA MMZ1608D121B	T	10.5/47.2
EP1125	6910013310	S.BEA MMZ1608D121B	T	13.3/47.9
EP1126	6910013310	S.BEA MMZ1608D121B	T	10.5/48.6
EP1127	6910013310	S.BEA MMZ1608D121B	T	13.3/49.3
EP1128	6910013310	S.BEA MMZ1608D121B	T	10.5/50
EP1129	6910013310	S.BEA MMZ1608D121B	T	13.3/50.7
EP1130	6910013310	S.BEA MMZ1608D121B	T	10.5/51.4
EP1131	6910013310	S.BEA MMZ1608D121B	T	13.3/52.1
EP1132	6910013310	S.BEA MMZ1608D121B	T	10.5/52.8
EP1133	6910013310	S.BEA MMZ1608D121B	T	13.3/53.5
EP1134	6910013310	S.BEA MMZ1608D121B	T	10.5/54.2
EP1135	6910013310	S.BEA MMZ1608D121B	T	13.3/54.9
EP1136	6910013310	S.BEA MMZ1608D121B	T	10.5/55.6
EP1137	6910013310	S.BEA MMZ1608D121B	T	13.3/56.3
EP1138	6910013310	S.BEA MMZ1608D121B	T	10.5/57
EP1139	6910013310	S.BEA MMZ1608D121B	T	13.3/57.7
EP1140	6910013310	S.BEA MMZ1608D121B	T	10.5/58.4
EP1141	6910013310	S.BEA MMZ1608D121B	T	13.3/59.1
EP1142	6910013310	S.BEA MMZ1608D121B	T	10.5/59.8
EP1143	6910013310	S.BEA MMZ1608D121B	T	13.3/60.5
EP1144	6910013310	S.BEA MMZ1608D121B	T	10.5/61.2
EP1145	6910013310	S.BEA MMZ1608D121B	T	13.3/61.9
EP1146	6910013310	S.BEA MMZ1608D121B	T	10.5/62.6
EP1147	6910014730	S.BEA MPZ2012S331A-T	T	22.5/45.8
EP1149	6910014730	S.BEA MPZ2012S331A-T	T	39.6/19.8
EP1263	6910015970	S.BEA MMZ1608B 301CT-AS	T	36.2/19.4
EP1273	6910015970	S.BEA MMZ1608B 301CT-AS	T	38.1/19.4

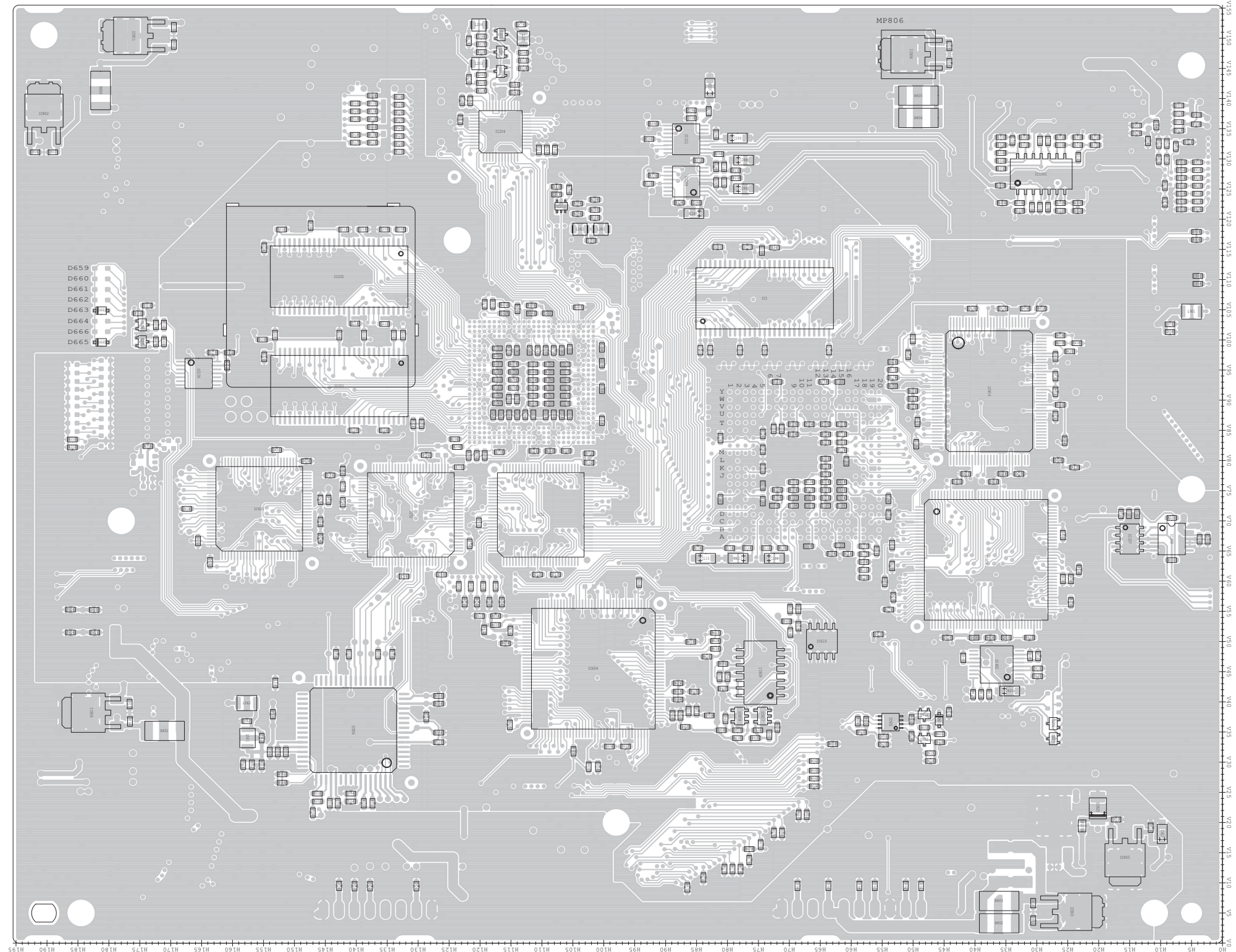
M.=Mounted side (T: Mounted on the Top side B: Mounted on the Bottom side)
 S.=Surface mount

The combination of this side and the bottom side shows the board layout in the same configuration as the actual P.C.Board.

• MEMORY BOARD (BOTTOM VIEW)

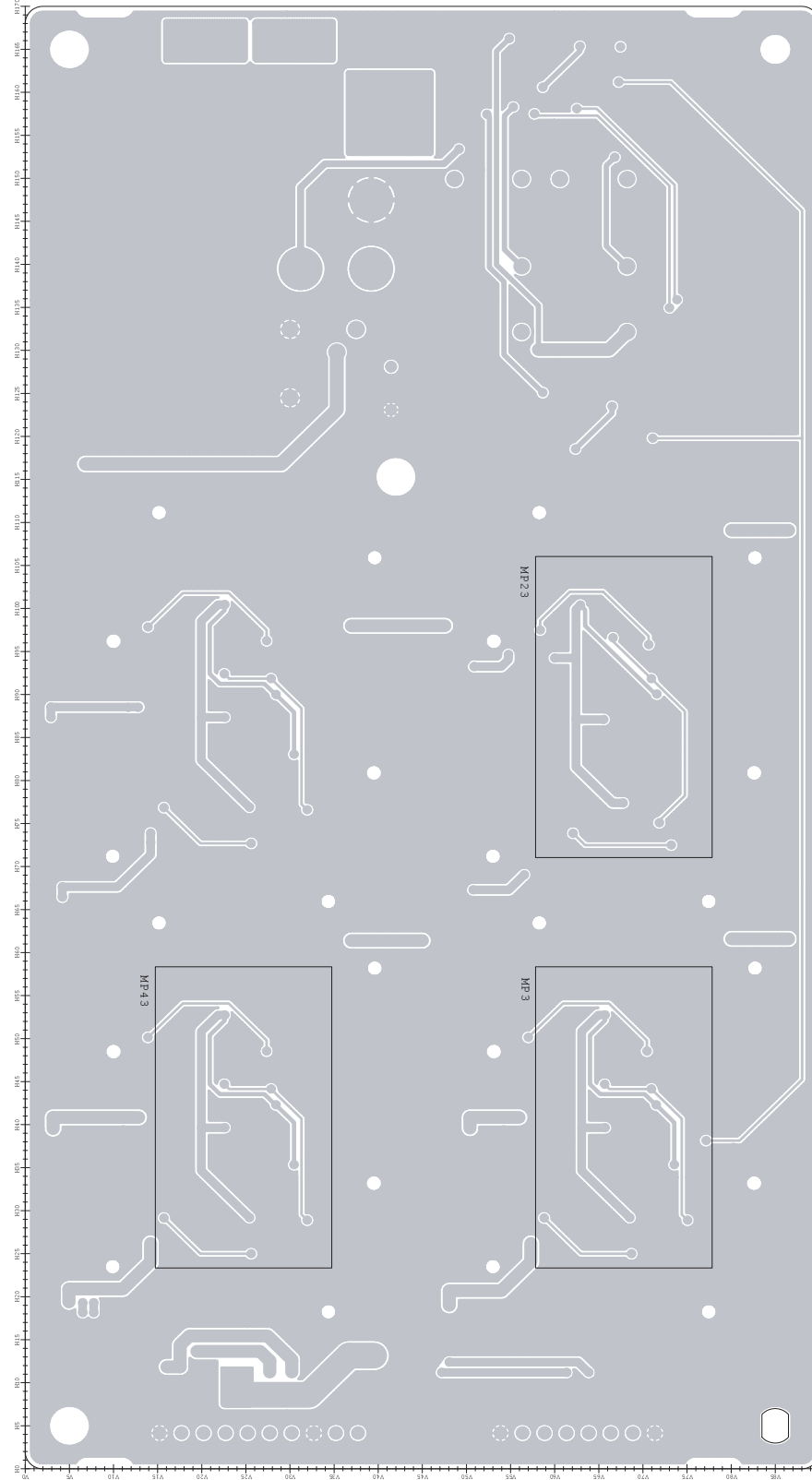


• LOGIC/LOGIC-A UNIT (BOTTOM VIEW)

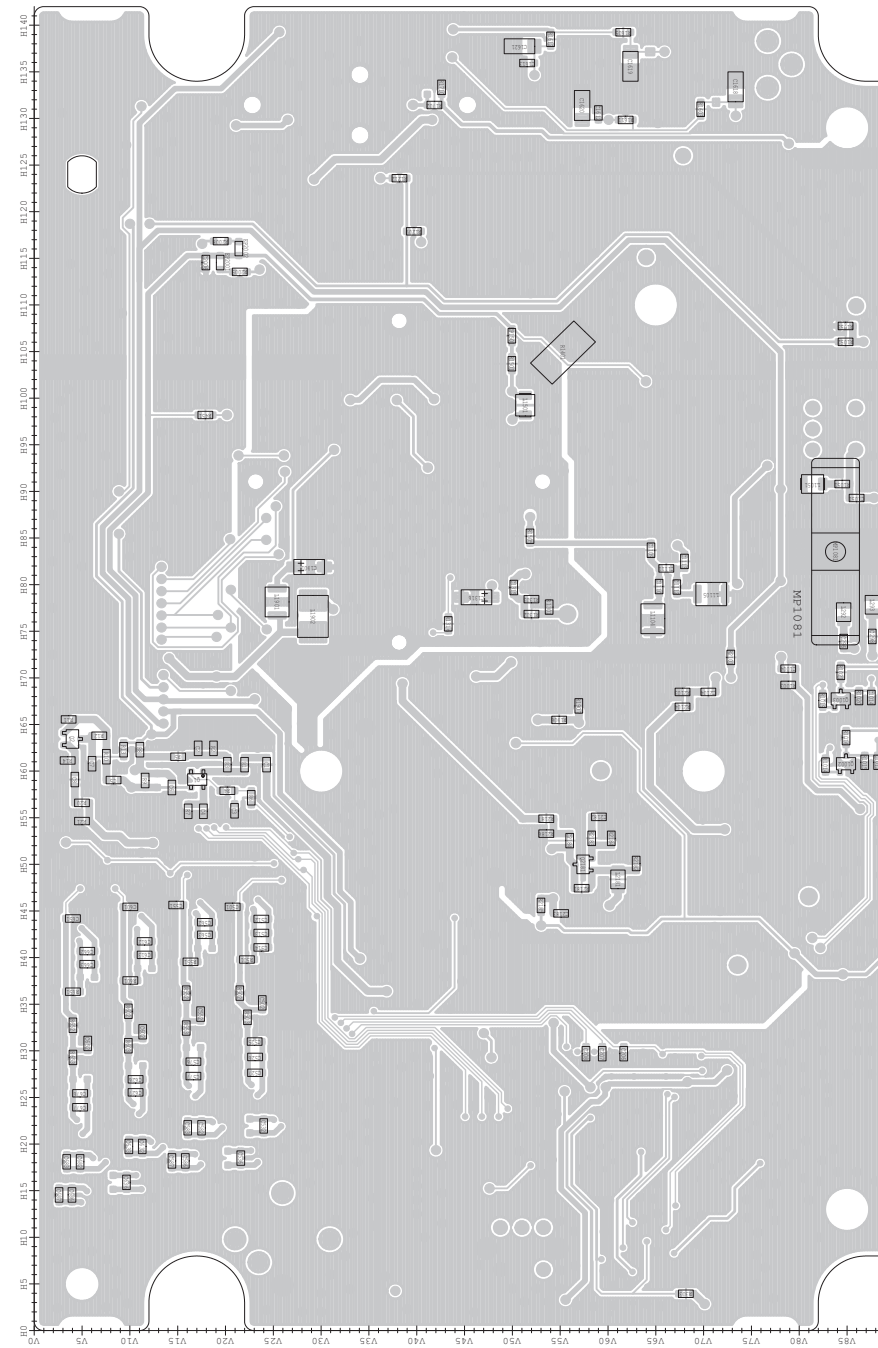


The combination of this side and the bottom side shows the board layout in the same configuration as the actual P.C.Board.

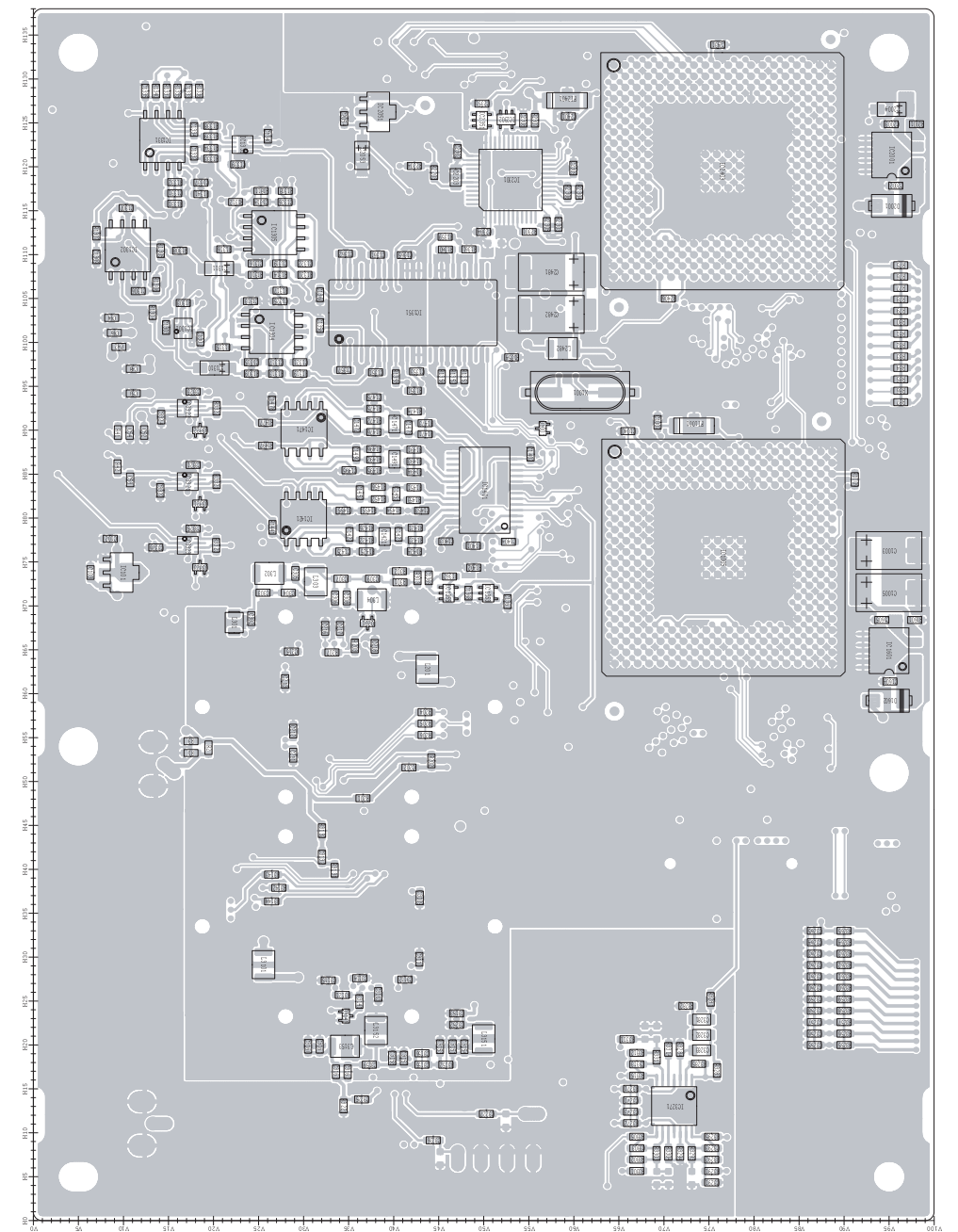
• DC-DC UNIT (BOTTOM VIEW)



• SCOPE/TV UNIT (BOTTOM VIEW)

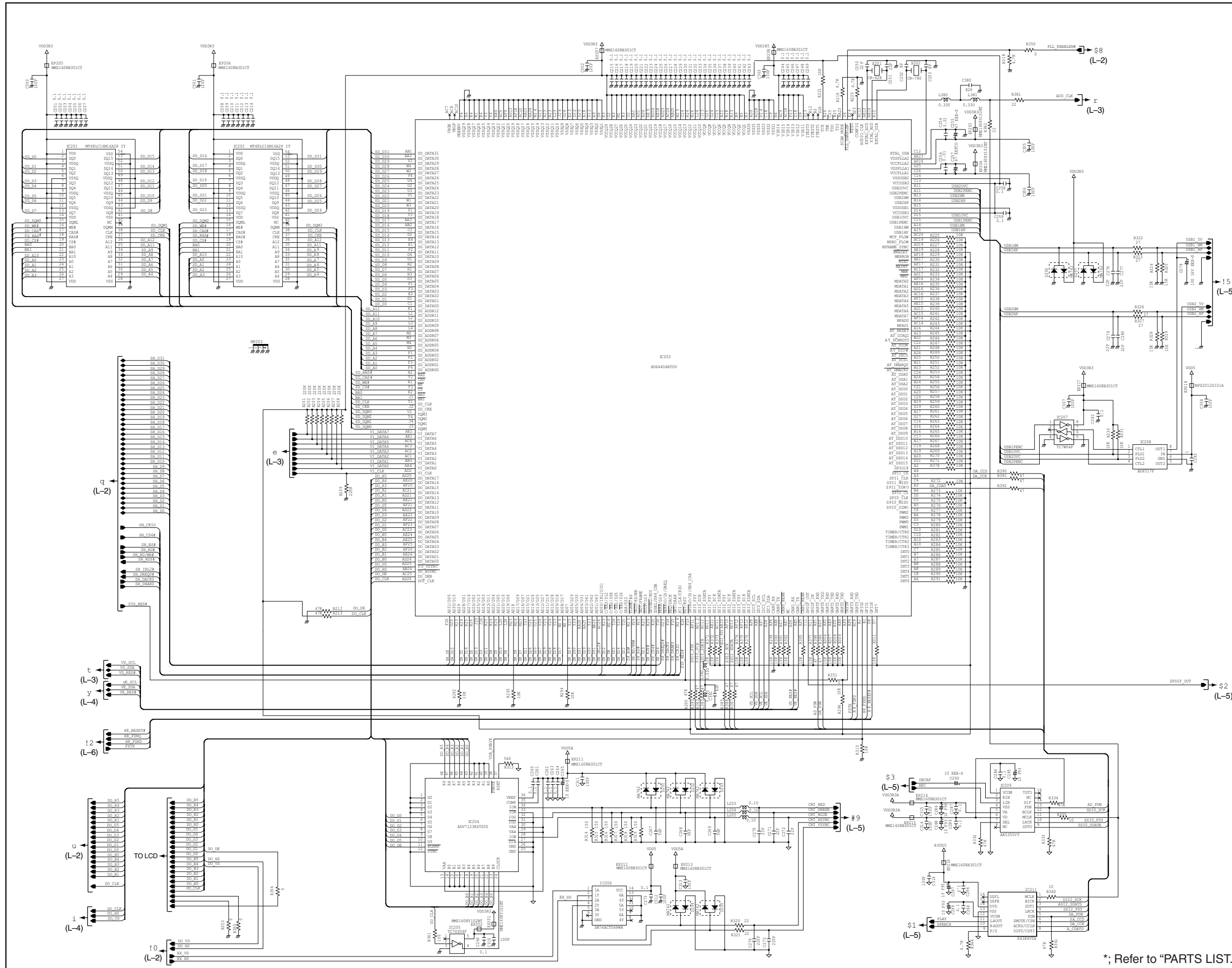


• MAIN UNIT (BOTTOM VIEW)

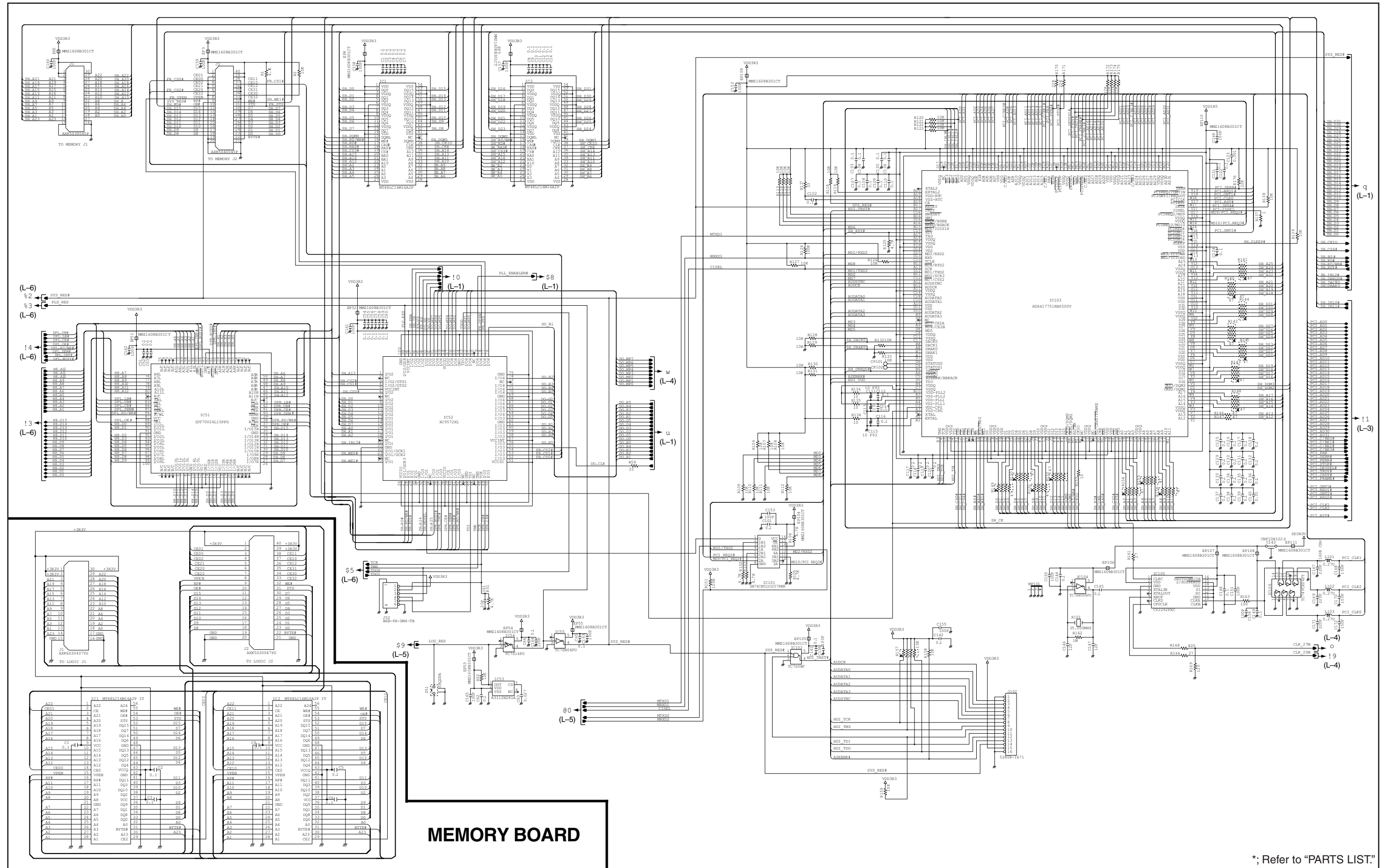


SCHEMATIC DIAGRAMS

• LOGIC/LOGIC-A UNIT (1)



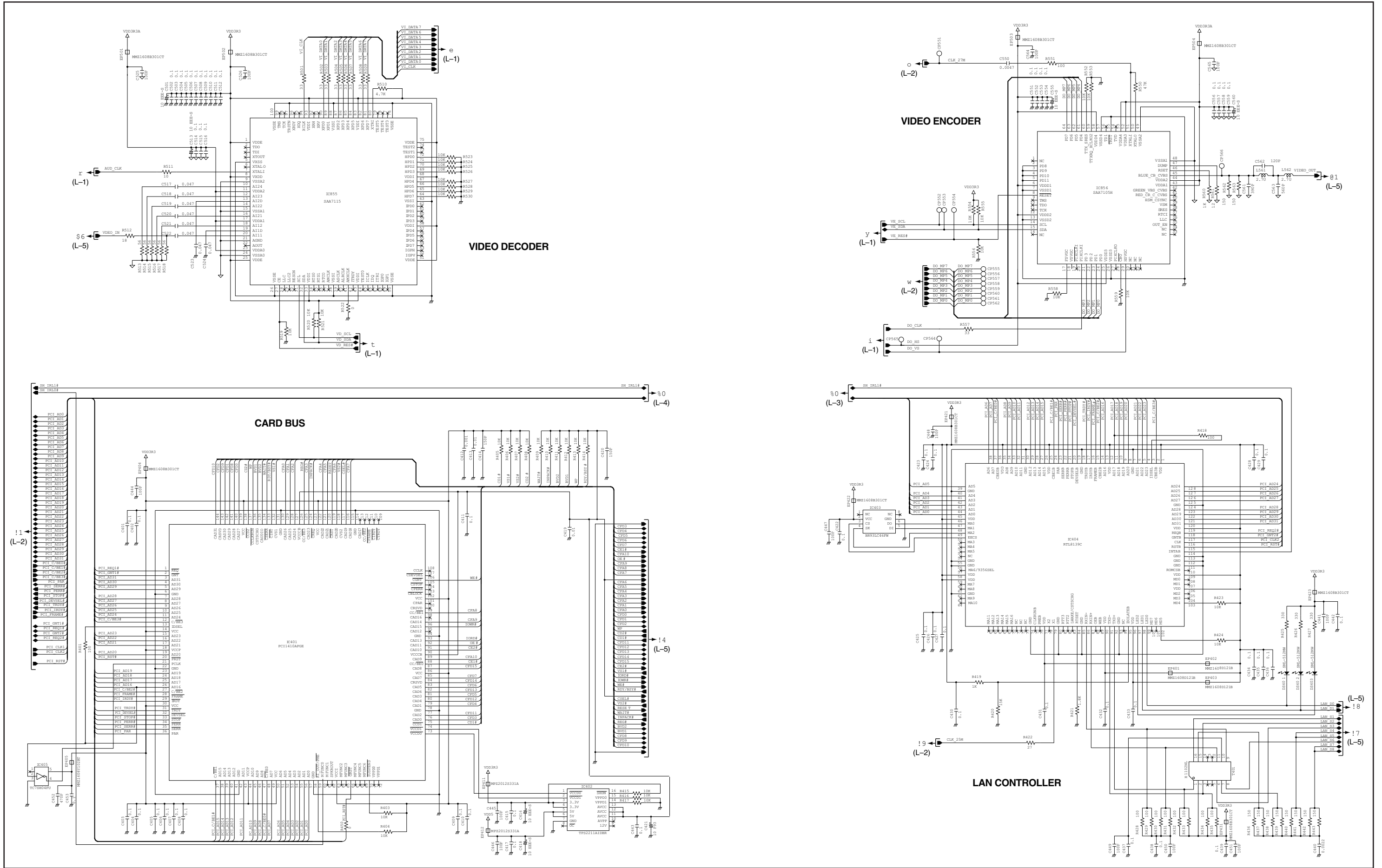
• LOGIC/LOGIC-A UNIT (2)



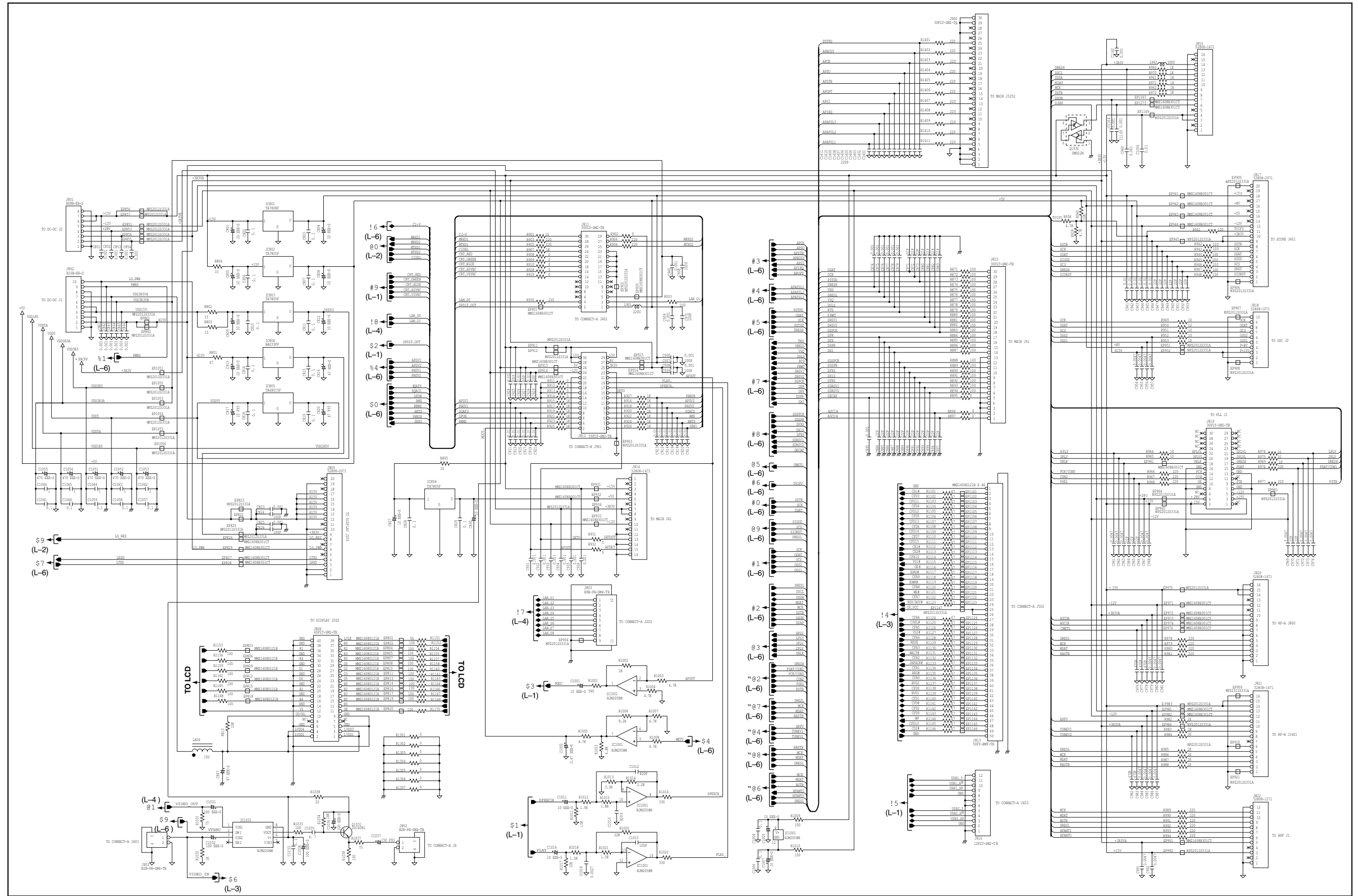
MEMORY BOARD

*; Refer to "PARTS LIST"

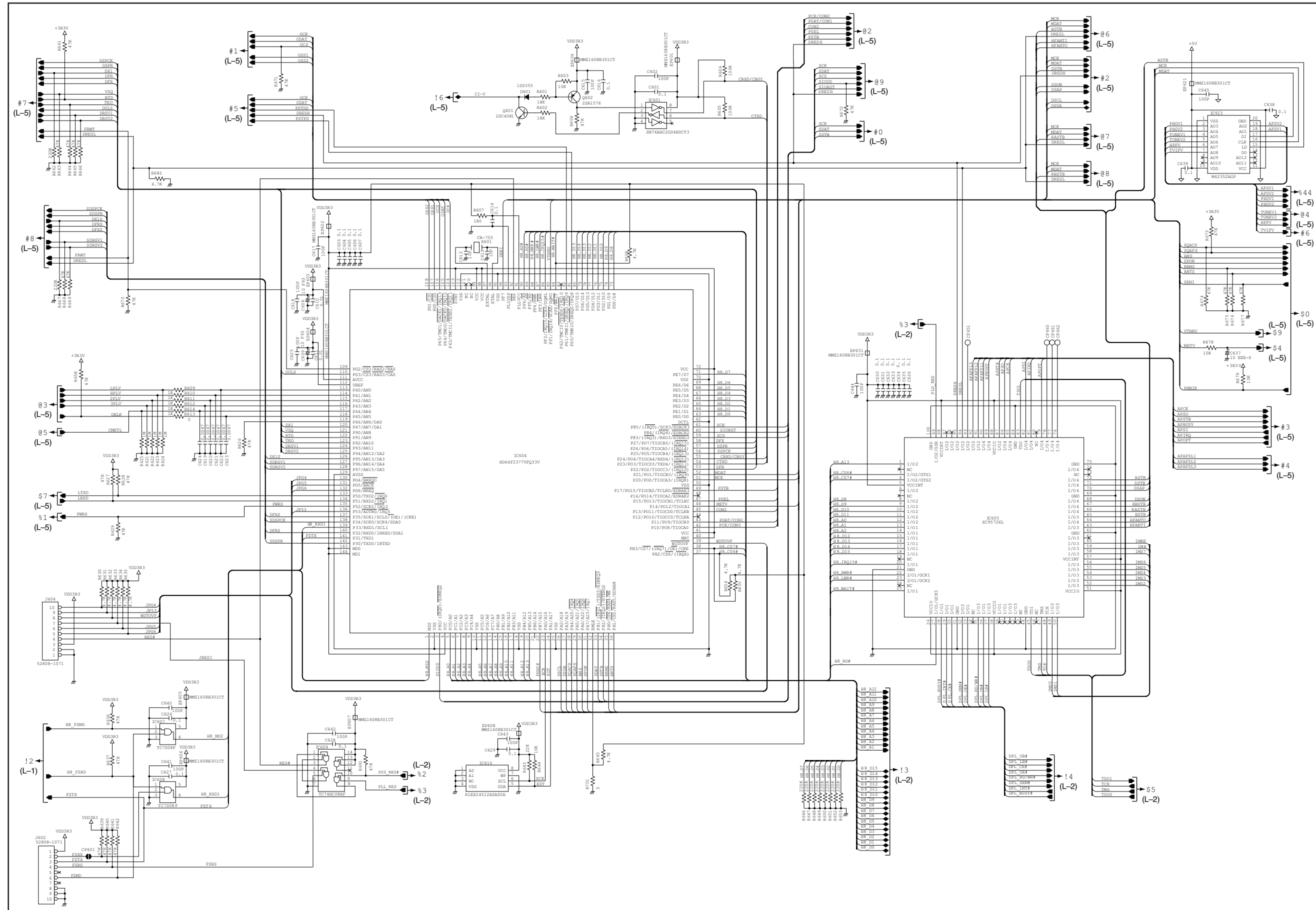
• LOGIC/LOGIC-A UNIT (3)



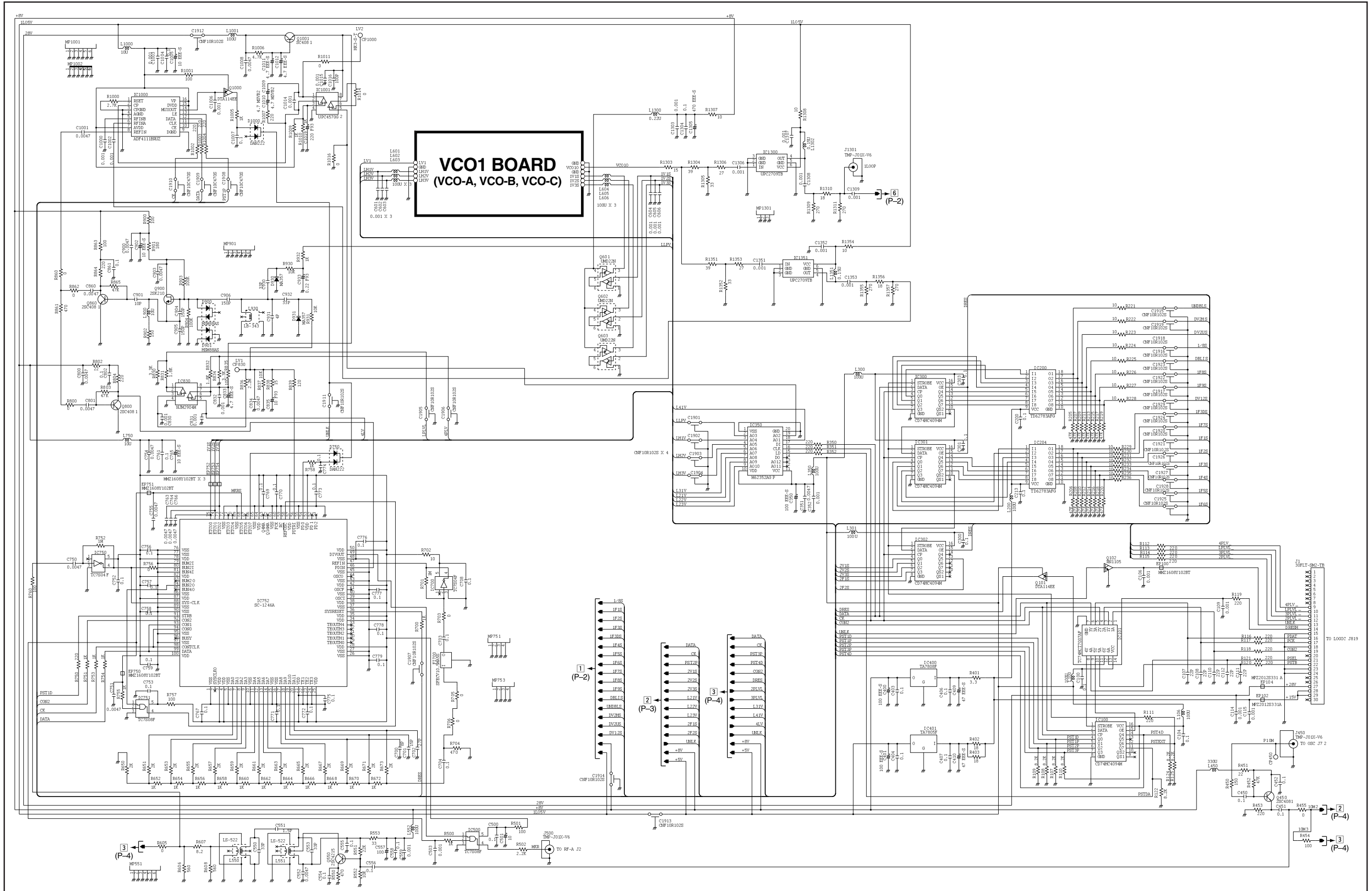
• LOGIC/LOGIC-A UNIT (4)



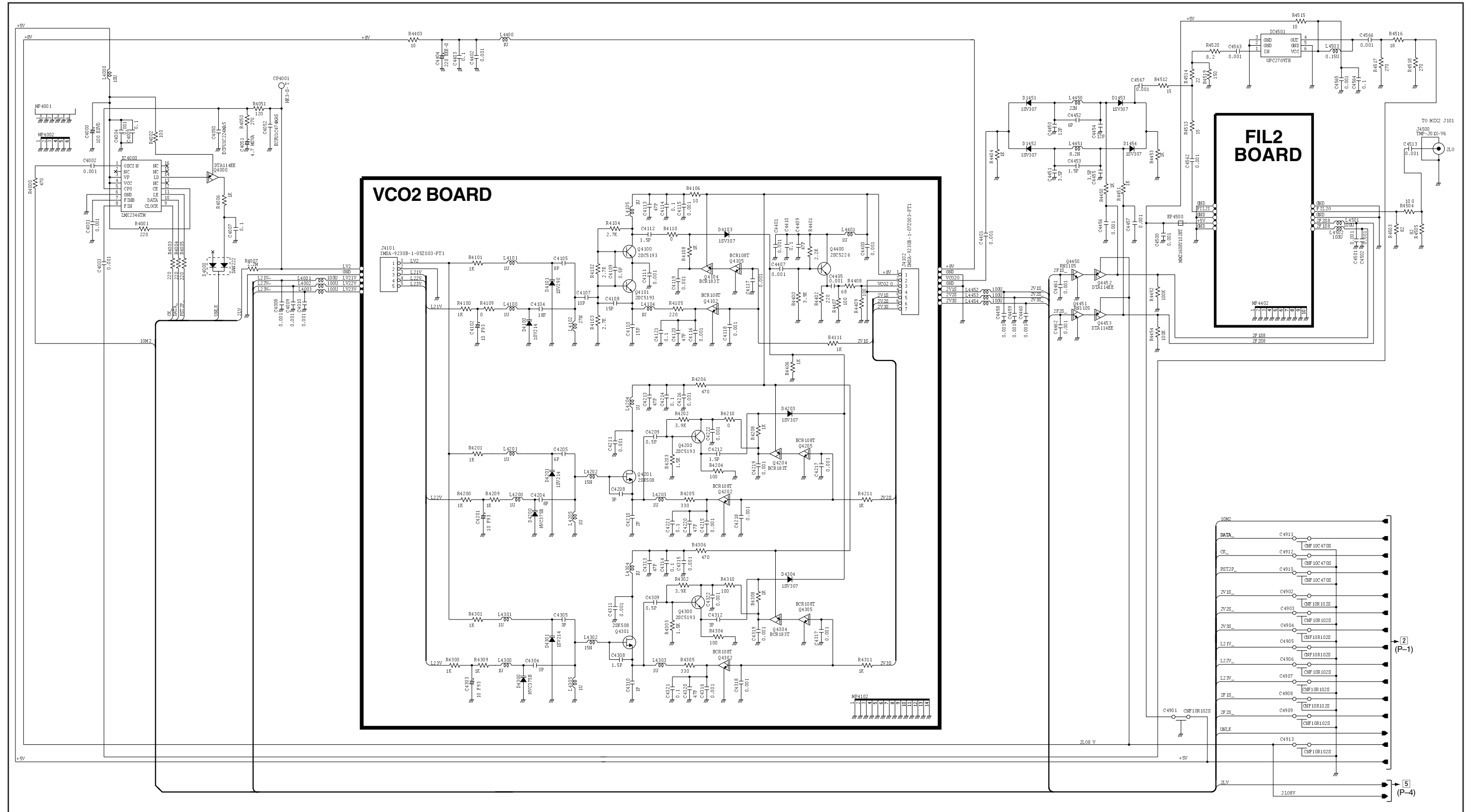
• LOGIC/LOGIC-A UNIT (5)



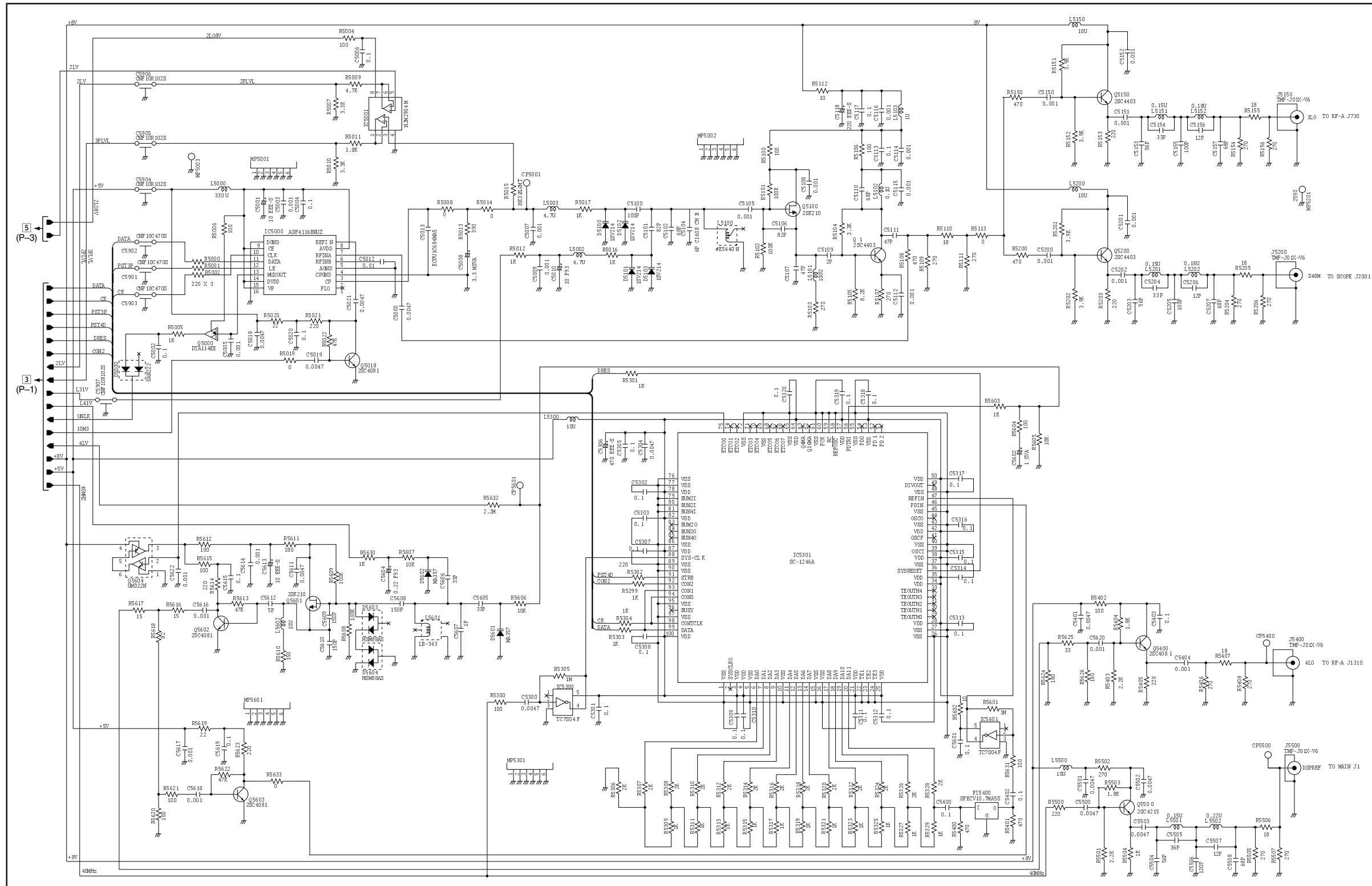
• PLL UNIT (1)



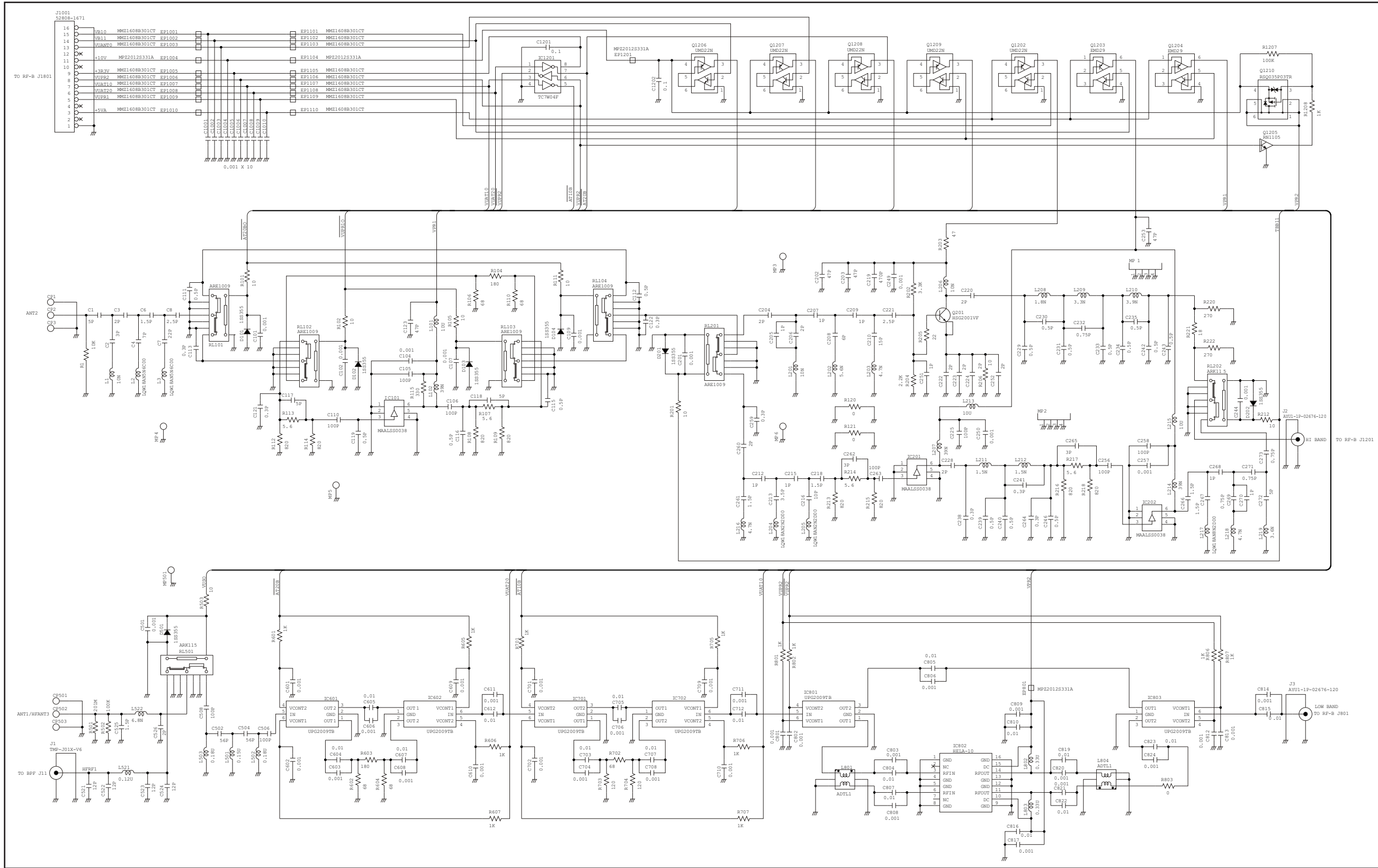
• PLL UNIT (3)



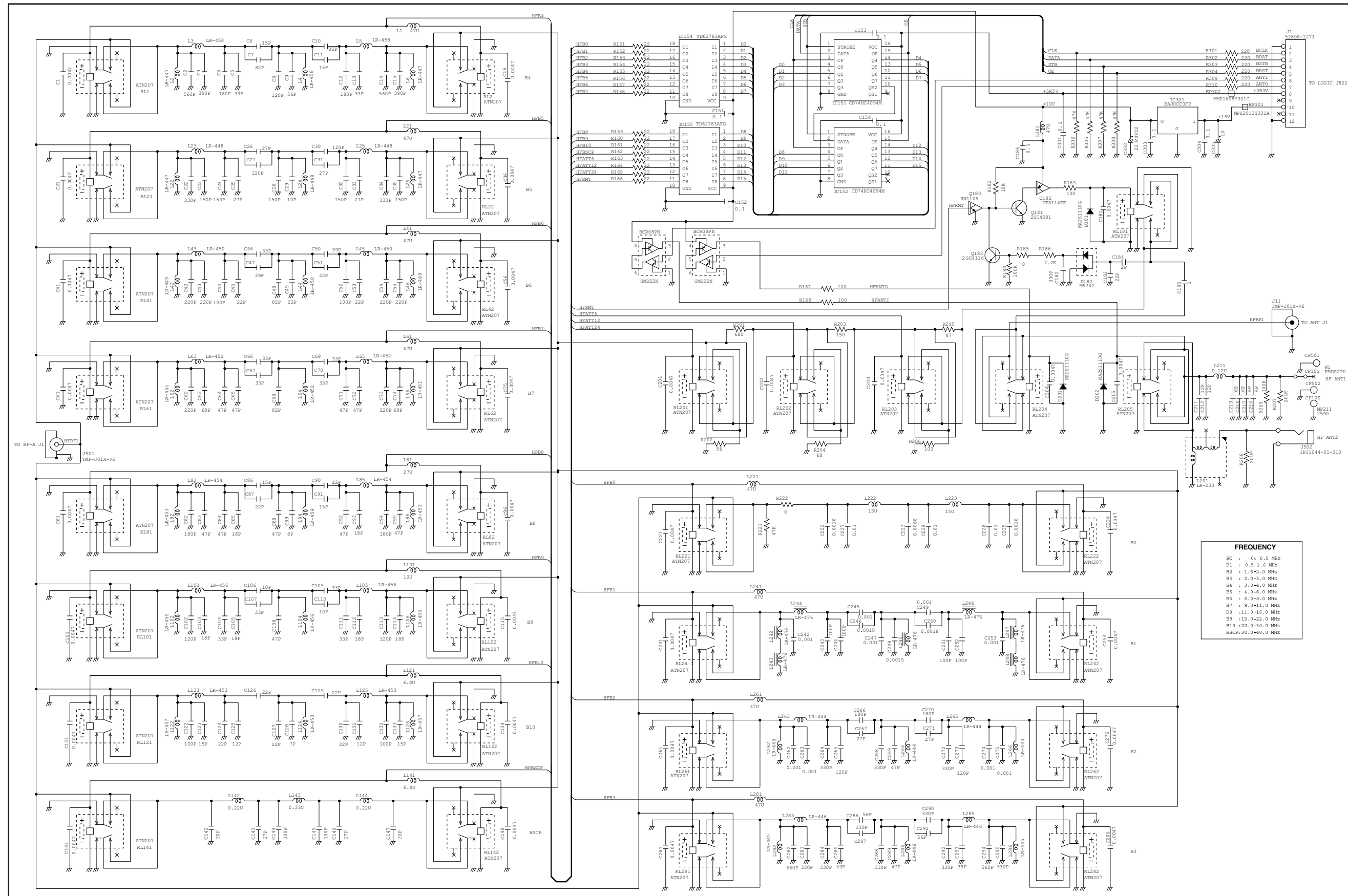
• PLL UNIT (4)



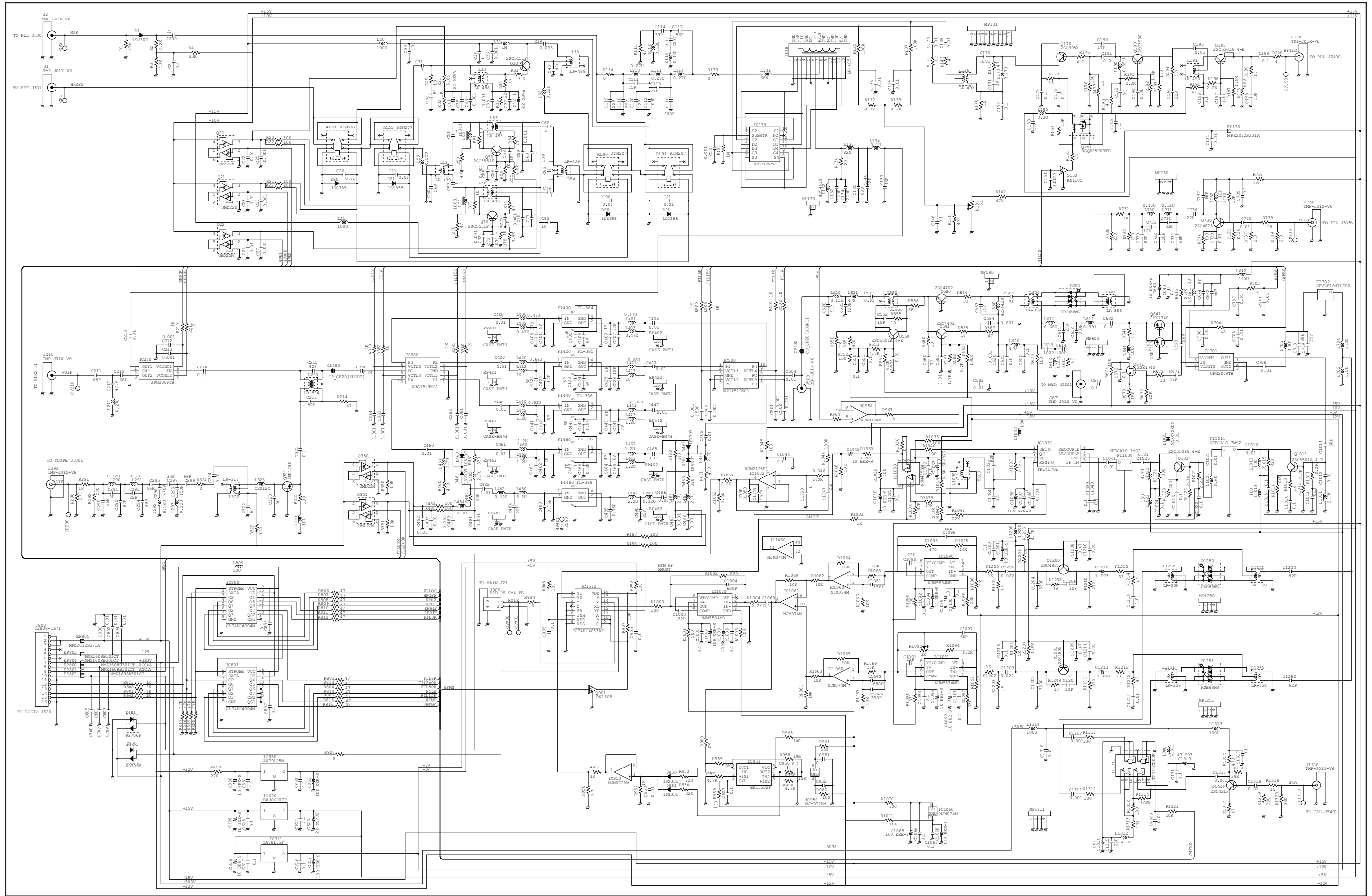
• ANT UNIT

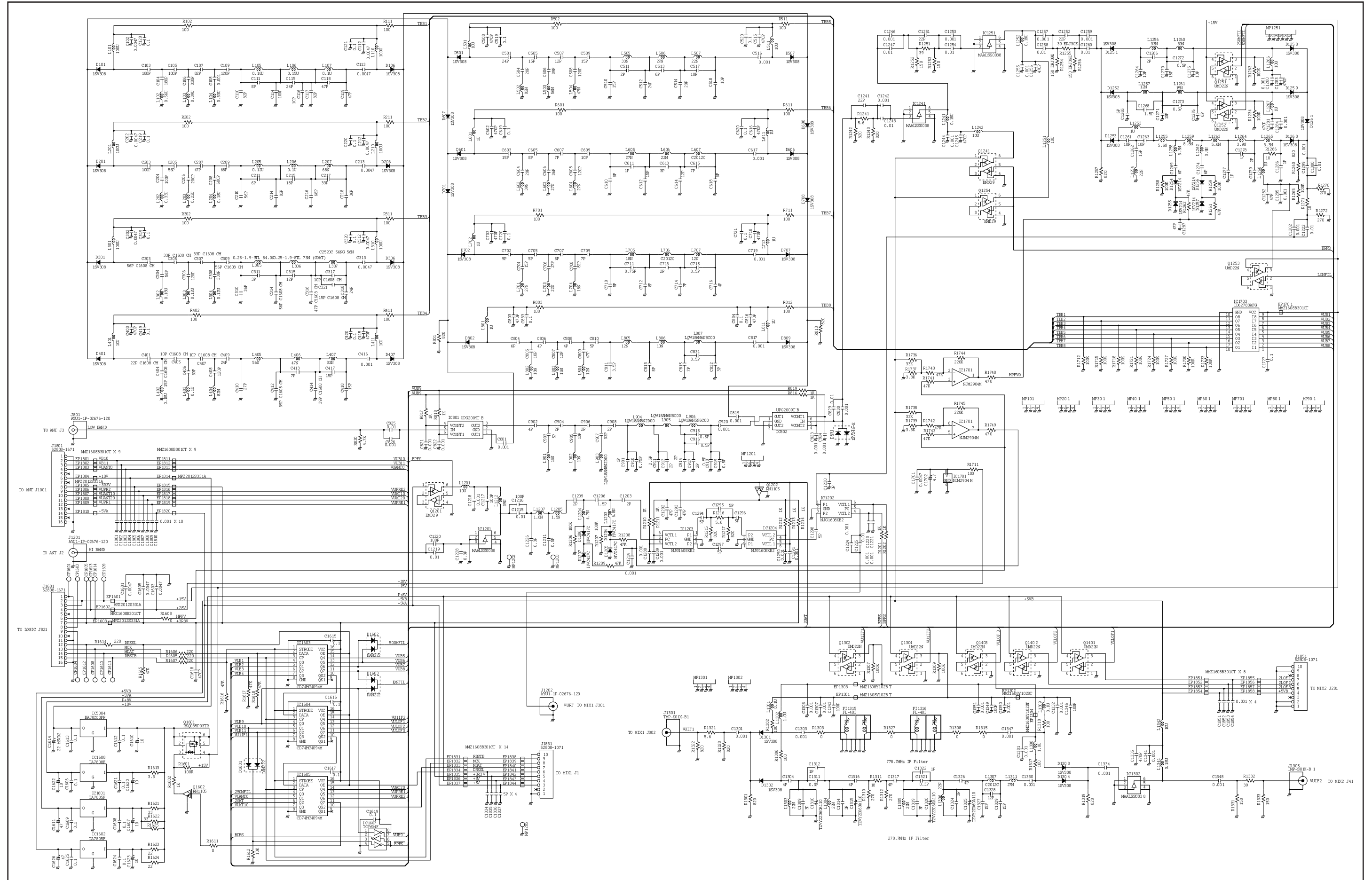


• BPF UNIT

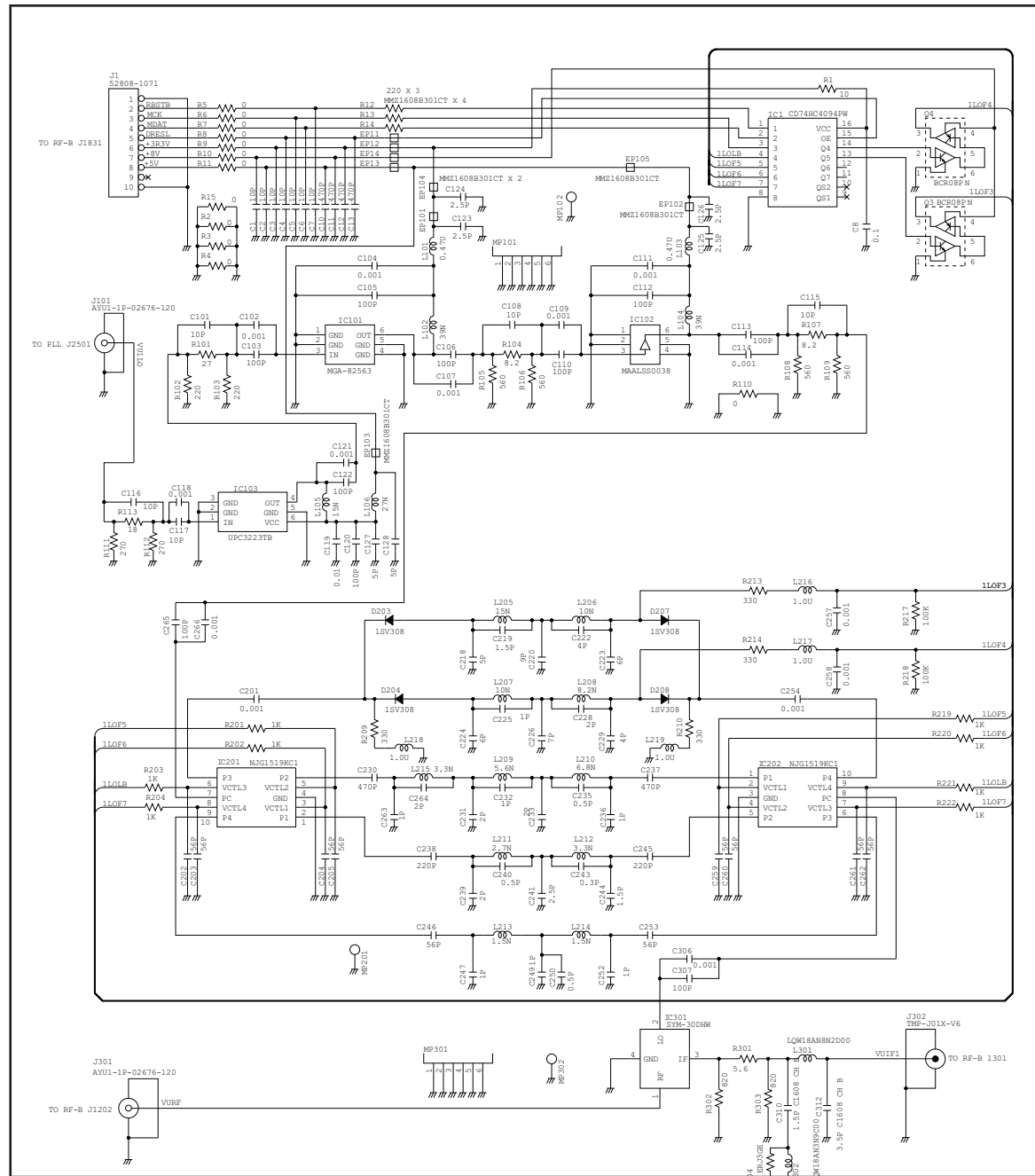


• RF-A UNIT

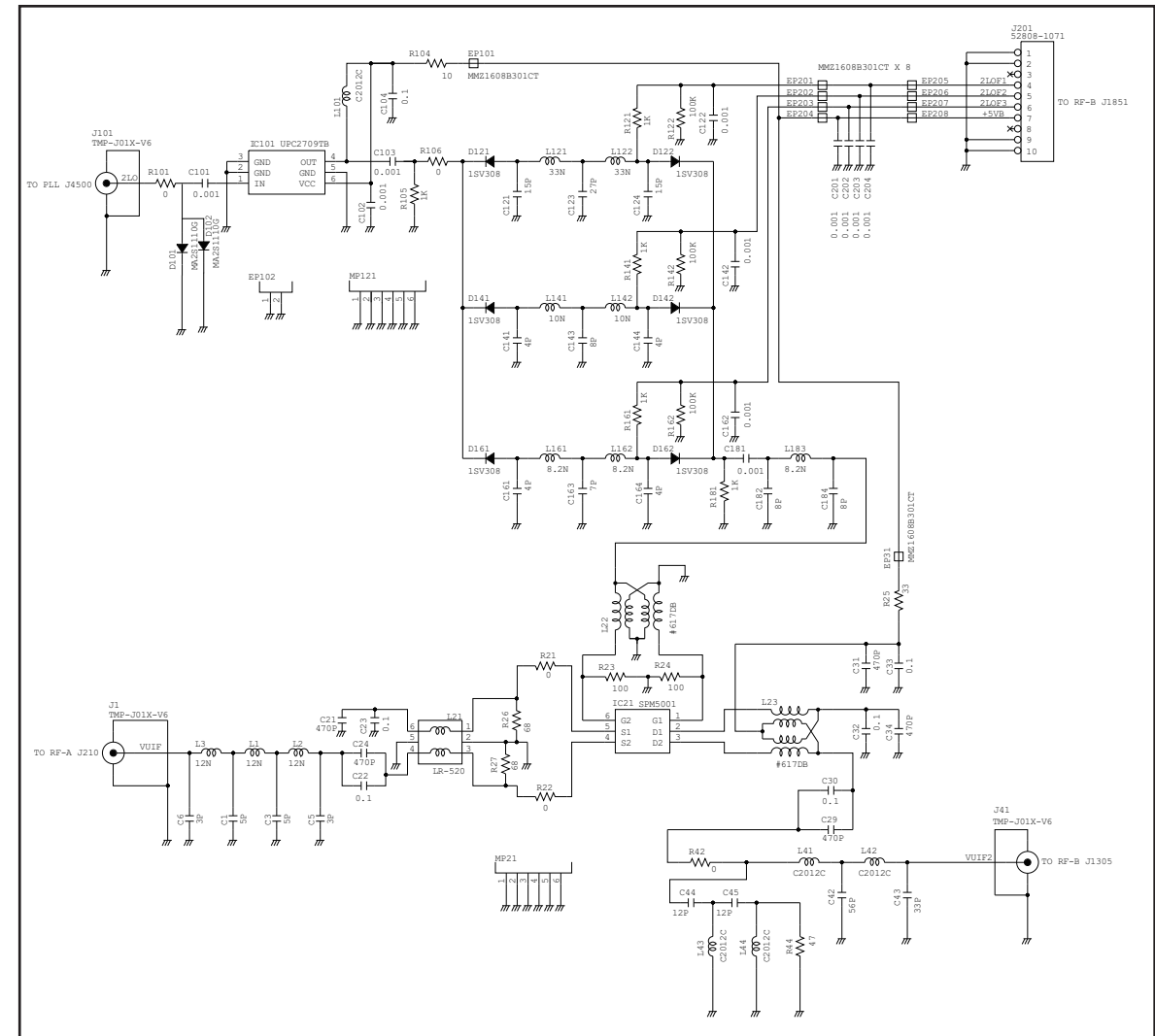




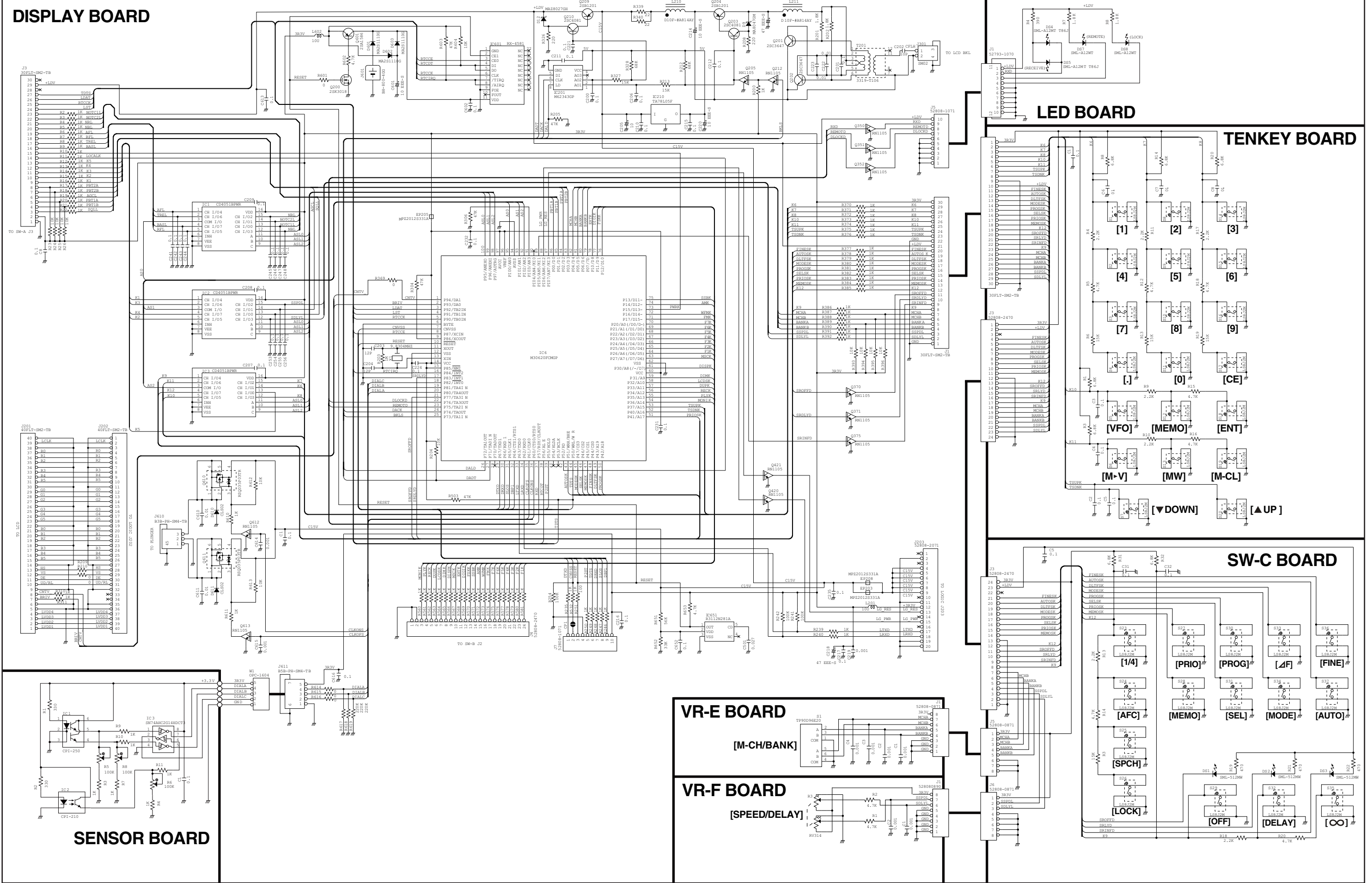
• MIX1 UNIT



• MIX2 UNIT

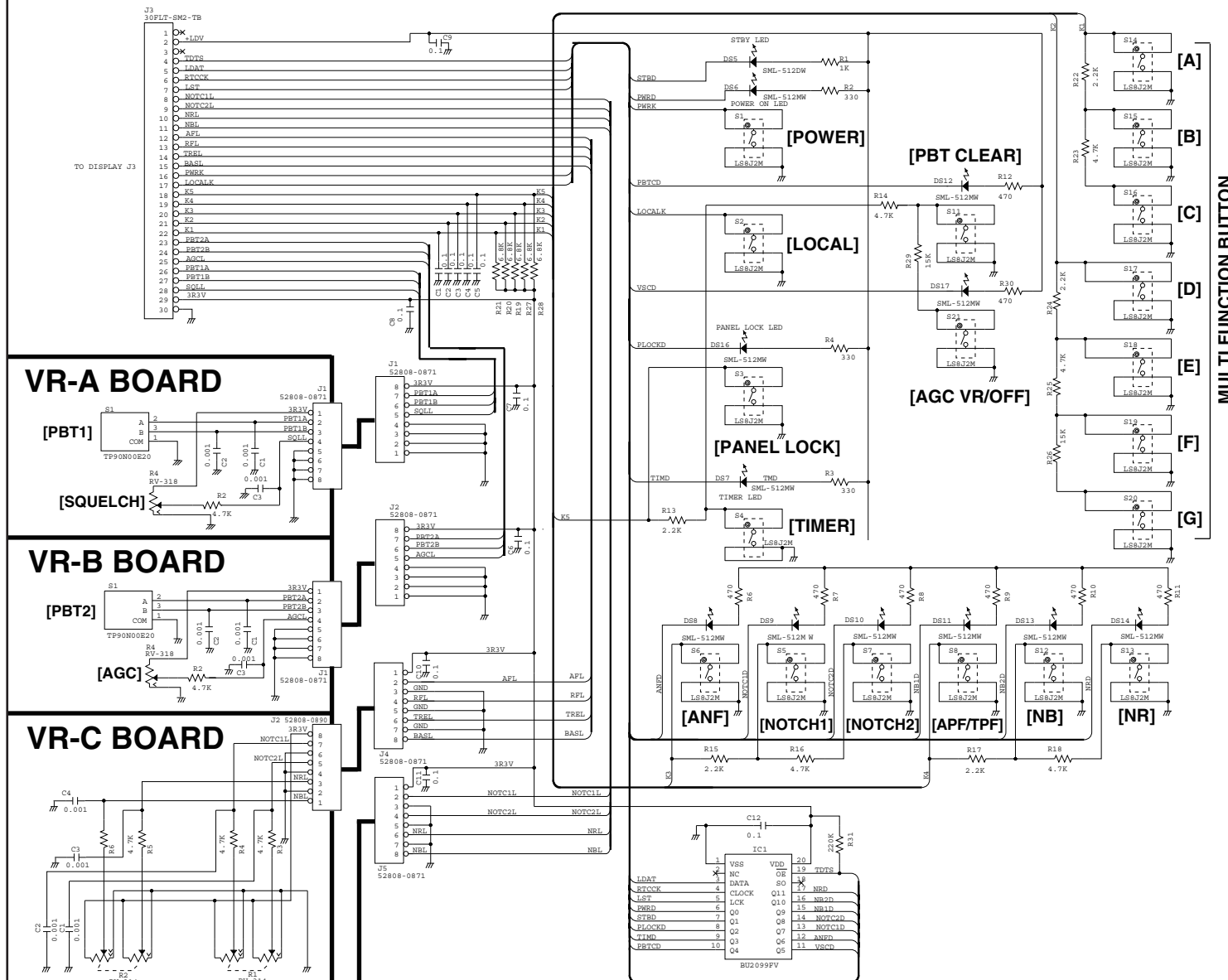


FRONT UNIT (1) DISPLAY BOARD

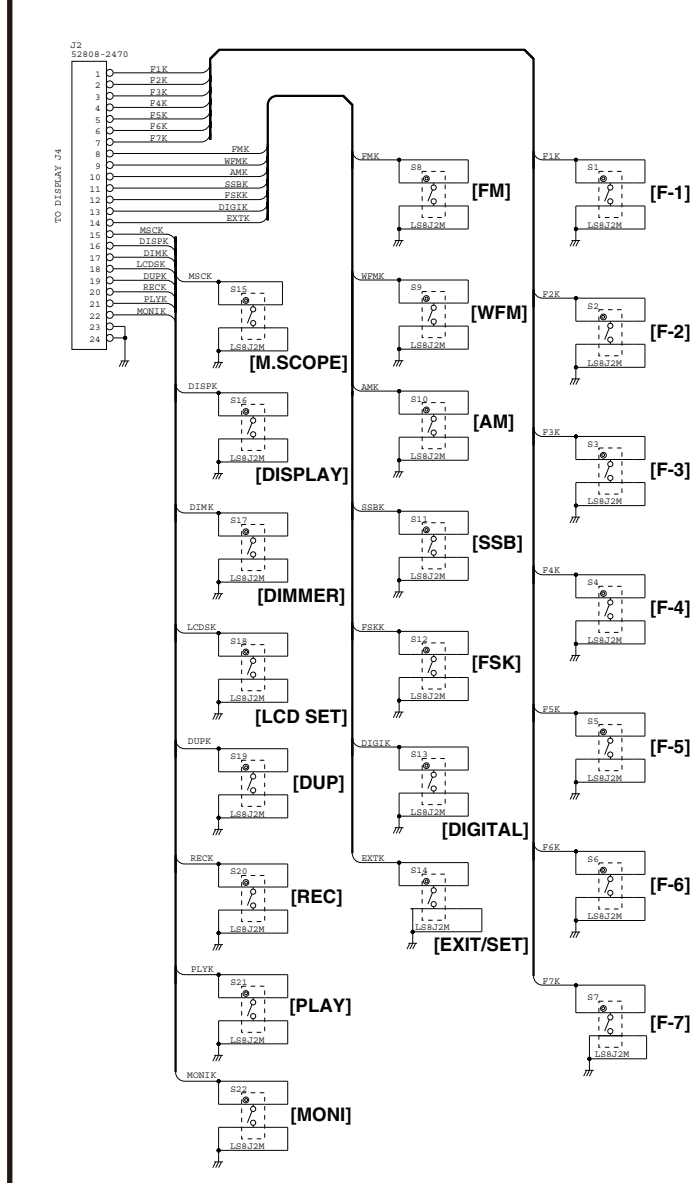


• FRONT UNIT (2)

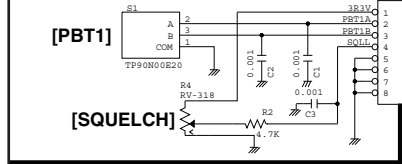
SW-A BOARD



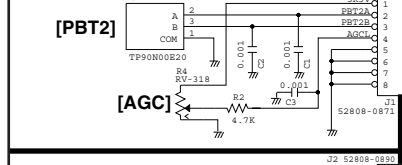
SW-B BOARD



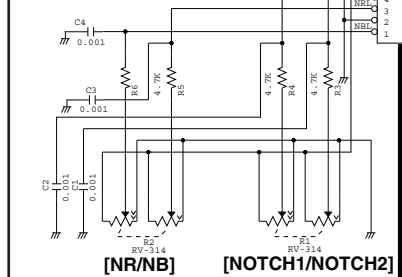
VR-A BOARD



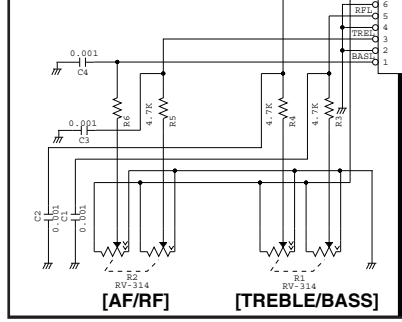
VR-B BOARD



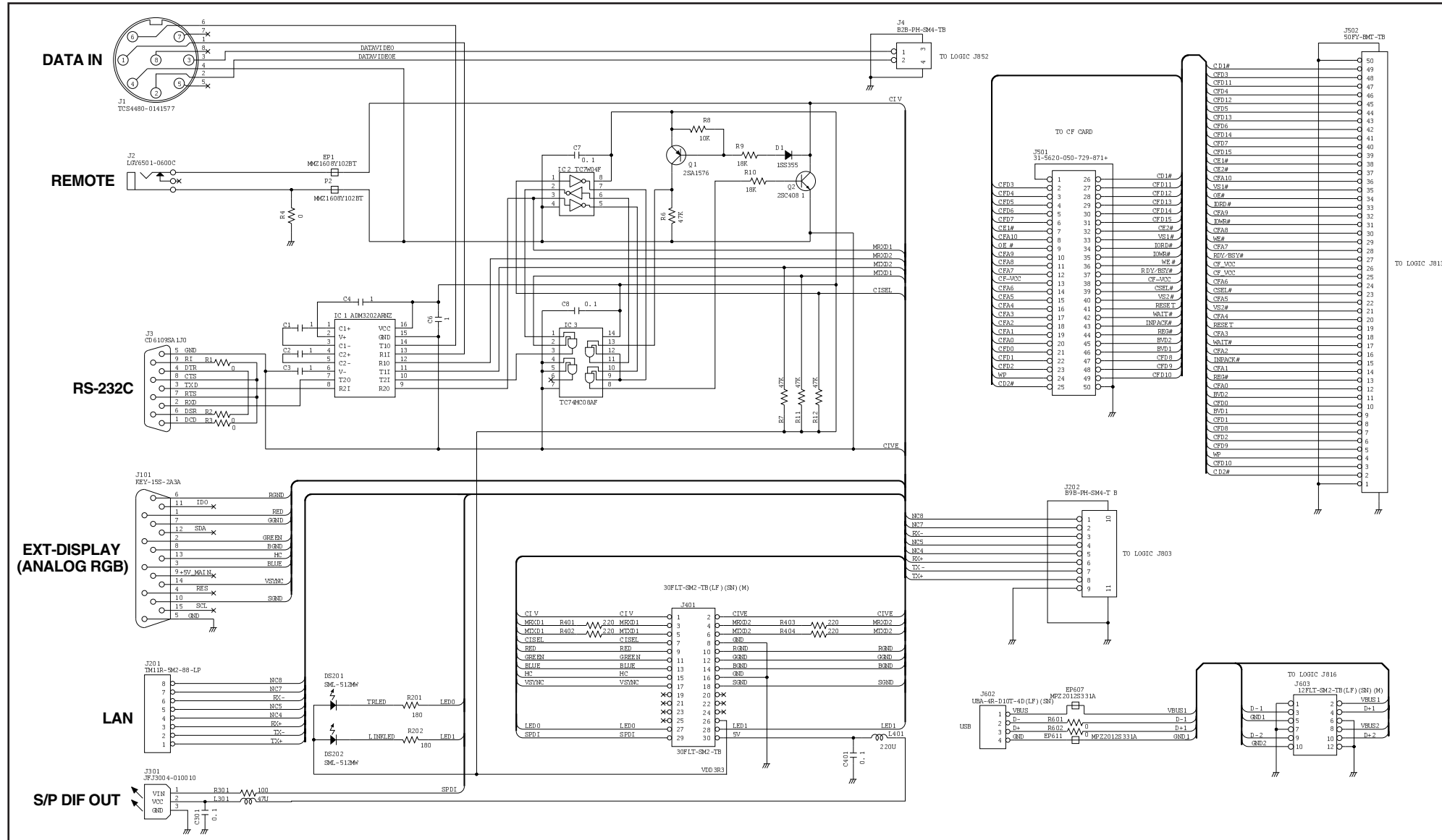
VR-C BOARD



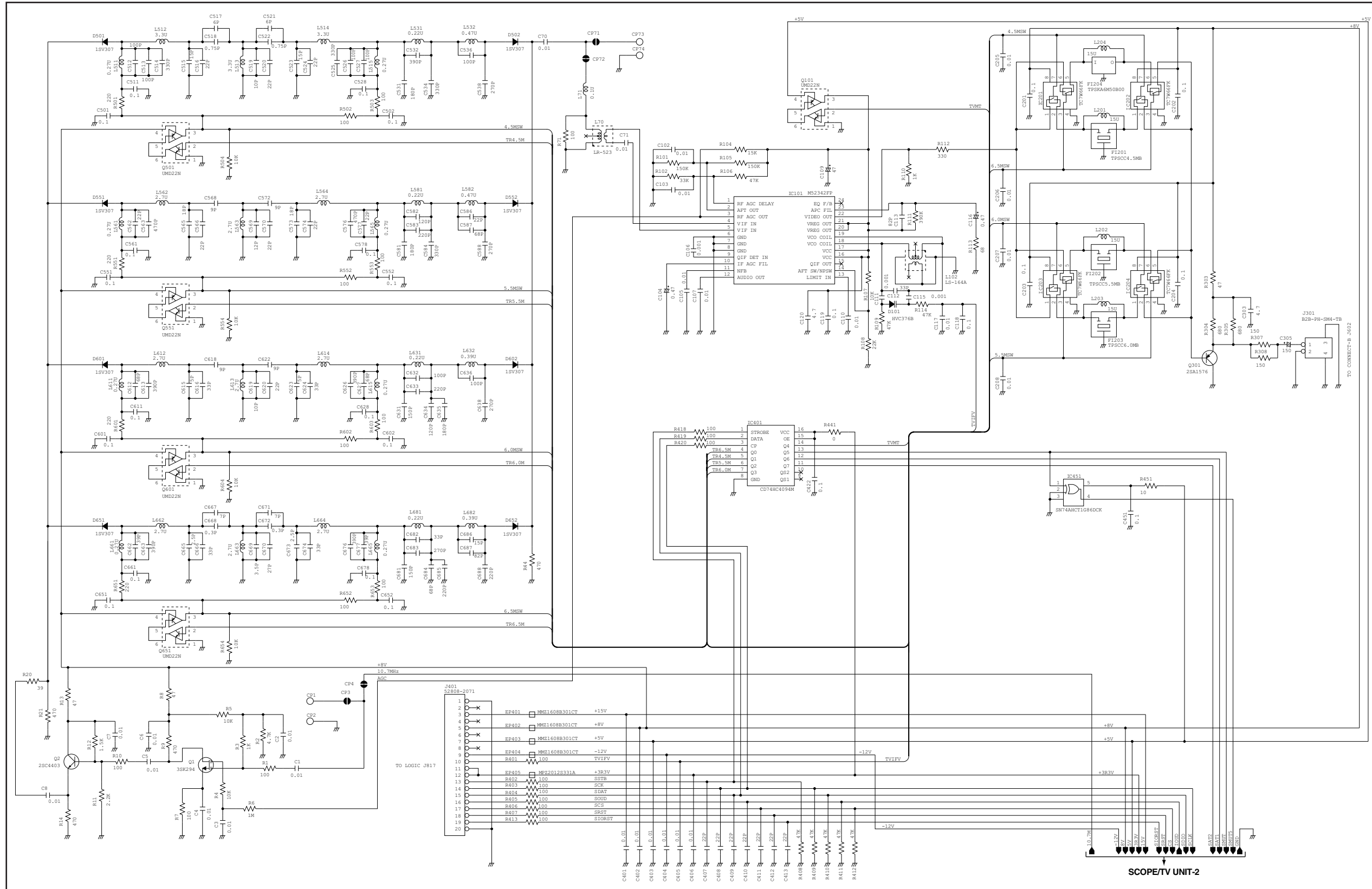
VR-D BOARD



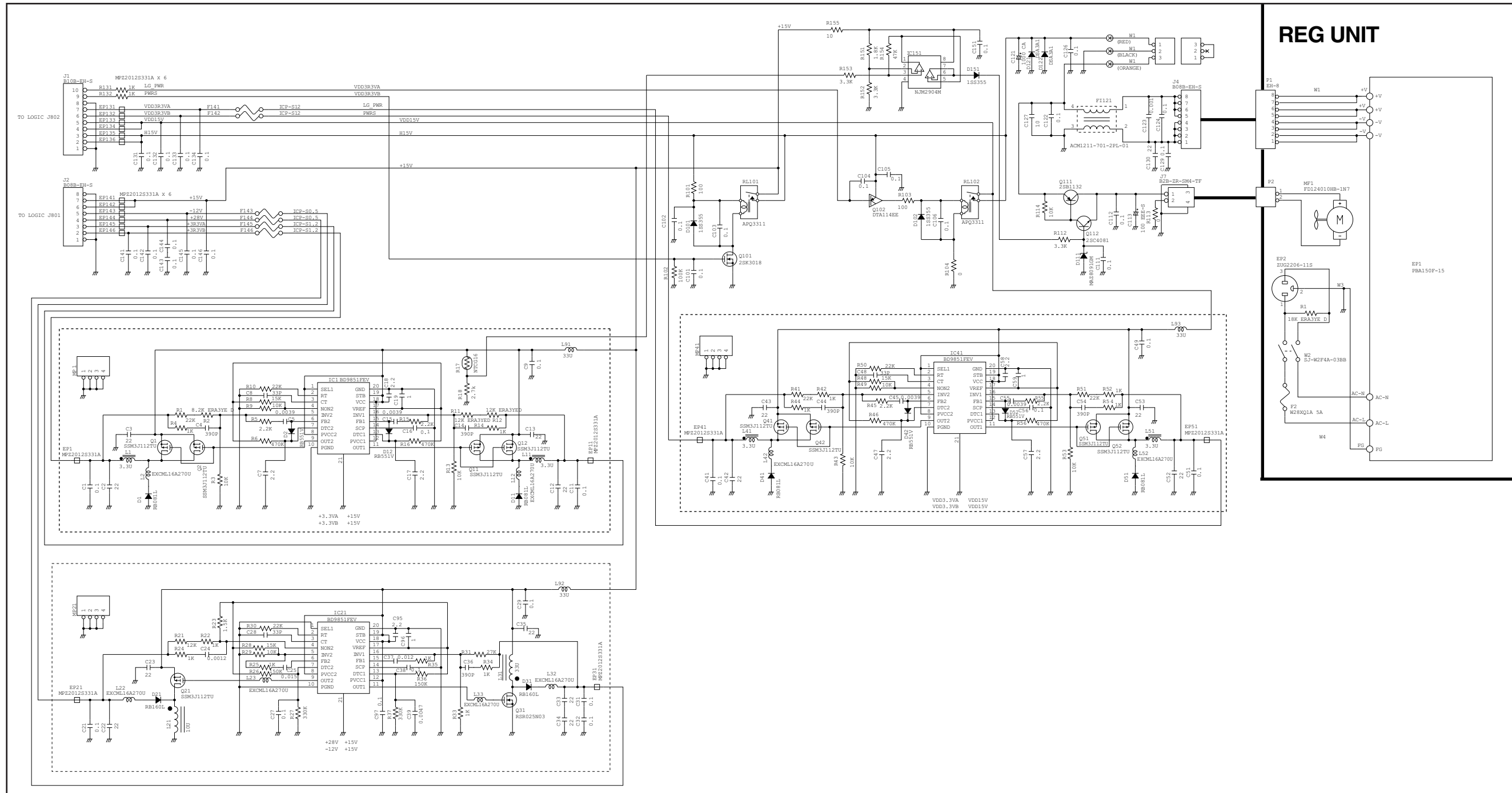
• CONNECT-A UNIT



• SCOPE/TV UNIT (1)



• DC-DC UNIT



Jun. 2008



SERVICE MANUAL ADDENDUM

IC-R9500

CONTENTS

PARTS LIST	1
BOARD LAYOUTS	45
SCHEMATIC DIAGRAMS	57

PARTS LIST

[FRONT UNIT]

REF NO.	ORDER NO.	DESCRIPTION	M.	H/V LOCATION
SP1	2510001390	SP 2844 SP BOX <FG>		
W1	8900016130	CBL OPC-1684 (P1,N8,L70) <TJM>		
W2	8900016130	CBL OPC-1684 (P1,N8,L70) <TJM>		
W3	8900016140	CBL OPC-1690 (P1,N24,L100) <TJM>		
W4	8900016150	CBL OPC-1679 (P0.5,N30,L80) <TJM>		
W5	8900007682	CBL OPC-741A-1 (P0.5,N40,L55) <TJM>		
W6	8900015490	CBL OPC-1450A (P1,N10,L53) <TJM>		
W7	8900009400	CBL OPC-926 (P=1 N=24 L=70) except [FRA], [AUS], [CHN]		
	8900017130	CBL OPC-926A (P1,N24,L70) <TJM> [FRA], [AUS], [CHN]		
W8	8900014750	CBL OPC-519A (P0.5,N30,L55) <TJM>		
W9	8900016130	CBL OPC-1684 (P1,N8,L70) <TJM>		
W10	8900016130	CBL OPC-1684 (P1,N8,L70) <TJM>		
W11	8900016130	CBL OPC-1684 (P1,N8,L70) <TJM>		
W12	8900016130	CBL OPC-1684 (P1,N8,L70) <TJM>		
EP1	6910015291	UBD LTA070B790F		
EP2	6910017310	E.OTH JSM5035-010100		

[DISPLAY UNIT]

REF NO.	ORDER NO.	DESCRIPTION	M.	H/V LOCATION
IC1	1130011880	S.IC CD4051BPWR	T	103.9/86.1
IC2	1130011880	S.IC CD4051BPWR	T	121/86.1
IC3	1130011880	S.IC CD4051BPWR	T	30.1/77.6
IC6	1140011820	S.IC M30620FCMGP D5 (SX-2590D)	T	48.1/27.7
IC201	1110006400	S.IC M62343GP D65J	T	68.4/58.2
IC210	1180000421	S.IC TA78L05F (TE12RF)	T	104/63.6
IC601	1130011551	S.IC RX-4581NB-F	T	39/45.9
IC651	1110005821	S.IC R3112N281A-TR-F	T	50.2/68.9
Q200	1560001260	S.FET 2SK3018 T106	T	91.1/47.1
Q201	1530003301	S.TR 2SC3647S-TD-E	T	91.1/26.5
Q202	1530003301	S.TR 2SC3647S-TD-E	T	74.6/63.3
Q203	1530002060	S.TR 2SC4081 T106 R	T	79.6/66.7
Q205	1590003520	S.TR BCR108T [USA], [FRA], [AUS], [CHA] only	T	73/58
Q209	1520000651	S.TR 2SB1201S-TL-E	T	114.6/59.9
Q210	1530002060	S.TR 2SC4081 T106 R	T	108.4/54.9
Q212	1590003520	S.TR BCR108T	T	73/55.8
Q350	1590003520	S.TR BCR108T	T	29.5/85.8
Q351	1590003520	S.TR BCR108T	T	28/83
Q352	1590003520	S.TR BCR108T	T	26.5/85.8
Q370	1590003940	S.TR RN1105 (TE85LF)	T	6.2/80.7
Q371	1590003520	S.TR BCR108T	T	11.8/74
Q375	1590003520	S.TR BCR108T	T	6.2/78.7
Q420	1590003520	S.TR BCR108T	T	40.5/85.3
Q421	1590003520	S.TR BCR108T	T	40.5/82.7
Q601	1510000771	S.TR 2SA1586-GR (TE85LF) [USA], [FRA], [CHA] only	T	20.6/60.7
Q610	1550000090	S.FET RSQ035P03TR	T	20.8/54
Q611	1550000090	S.FET RSQ035P03TR	T	74.7/61.2
Q612	1590003520	S.TR BCR108T	T	26.2/60.9
Q613	1590003520	S.TR BCR108T	T	27.7/54.6
D9	1730002340	S.ZEN MA8047-M (TX)	T	110.2/57.1
D12	1730002510	S.ZEN MA8027-H (TX)	T	57.6/75.5
D601	1790001250	S.DIO MA2S111-(TX)	T	56.4/69.7
D602	1790001250	S.DIO MA2S111-(TX)	T	56.4/73.5
D603	1790001250	S.DIO MA2S111-(TX)	T	13.9/59
D610	1750001350	S.DIO CLS02 (TE16LQ)	T	13.9/59
D611	1750001350	S.DIO CLS02 (TE16LQ) [USA], [FRA], [CHA] only	T	49.7/44.5
X1	6050009870	S.XTL CR-567 (9.8304 MHz)	T	43.9/84.4
L201	6200001831	S.COL NLV32T-100J	T	86.6/79.7
L210	6190001191	S.COL D10F-#A814AY-101K	T	81.2/38.2
L211	6190001191	S.COL D10F-#A814AY-101K	T	59.5/72.4
L602	6200001831	S.COL NLV32T-100J	T	123/57
R2	7030003440	S.RES ERJ3GEYJ 102 V (1 k)	T	127.3/60
R3	7030003440	S.RES ERJ3GEYJ 102 V (1 k)	T	123/58.2
R4	7030003440	S.RES ERJ3GEYJ 102 V (1 k)	T	127.3/61.2
R5	7030003440	S.RES ERJ3GEYJ 102 V (1 k)	T	123/59.4
R6	7030003440	S.RES ERJ3GEYJ 102 V (1 k)	T	127.3/62.4
R7	7030003440	S.RES ERJ3GEYJ 102 V (1 k)	T	123/60
R8	7030003440	S.RES ERJ3GEYJ 102 V (1 k)	T	127.3/63.6
R9	7030003440	S.RES ERJ3GEYJ 102 V (1 k)	T	123/61
R10	7030003440	S.RES ERJ3GEYJ 102 V (1 k)	T	127.3/64.8
R11	7030003440	S.RES ERJ3GEYJ 102 V (1 k)	T	123/63
R12	7030003440	S.RES ERJ3GEYJ 102 V (1 k)	T	127.3/66
R13	7030003440	S.RES ERJ3GEYJ 102 V (1 k)	T	123/64.2
R14	7030003440	S.RES ERJ3GEYJ 102 V (1 k)	T	127.3/67.2
R15	7030003440	S.RES ERJ3GEYJ 102 V (1 k)	T	123/65.4
R16	7030003440	S.RES ERJ3GEYJ 102 V (1 k)	T	127.3/68.4
R17	7030003440	S.RES ERJ3GEYJ 102 V (1 k)	T	123/66.6

[DISPLAY UNIT]

REF NO.	ORDER NO.	DESCRIPTION	M.	H/V LOCATION
R18	7030003440	S.RES ERJ3GEYJ 102 V (1 k)	T	127.3/70.8
R19	7030003440	S.RES ERJ3GEYJ 102 V (1 k)	T	123/69
R20	7030003440	S.RES ERJ3GEYJ 102 V (1 k)	T	127.3/72
R21	7030003440	S.RES ERJ3GEYJ 102 V (1 k)	T	123/71.4
R22	7030003440	S.RES ERJ3GEYJ 102 V (1 k)	T	127.3/69.6
R23	7030003560	S.RES ERJ3GEYJ 103 V (10 k)	T	123/67.8
R24	7030003560	S.RES ERJ3GEYJ 103 V (10 k)	T	123/70
R25	7030003560	S.RES ERJ3GEYJ 103 V (10 k)	T	127.3/73.2
R26	7030003560	S.RES ERJ3GEYJ 103 V (10 k)	T	72.9/53.4
R200	7030003440	S.RES ERJ3GEYJ 102 V (1 k)	T	96.6/43.6
R201	7030003470	S.RES ERJ3GEYJ 182 V (1.8 k)	T	96.6/32.9
R202	7030003470	S.RES ERJ3GEYJ 182 V (1.8 k)	T	49.7/41.2
R203	7030003800	S.RES ERJ3GEYJ 105 V (1 M)	T	38.1/33.2
R204	7030003560	S.RES ERJ3GEYJ 103 V (10 k)	T	70.7/54.1
R205	7030003640	S.RES ERJ3GEYJ 473 V (47 k)	T	74.5/59.6
R208	7030003360	S.RES ERJ3GEYJ 221 V (220)	T	12.9/24.7
R209	7030003860	S.RES ERJ3GE JPW V	T	12.9/23.4
R210	7030003860	S.RES ERJ3GE JPW V	T	68.7/63.8
R212	7030003660	S.RES ERJ3GEYJ 683 V (68 k)	T	71/63
R213	7030003580	S.RES ERJ3GEYJ 153 V (15 k)	T	50.3/13
R235	7030003440	S.RES ERJ3GEYJ 102 V (1 k)	T	37/85.4
R239	7030003440	S.RES ERJ3GEYJ 102 V (1 k)	T	35.8/85.4
R240	7030003440	S.RES ERJ3GEYJ 102 V (1 k)	T	38.2/85.4
R241	7030003680	S.RES ERJ3GEYJ 104 V (100 k)	T	34.6/85.4
R242	7030003680	S.RES ERJ3GEYJ 104 V (100 k)	T	59.5/13.3
R246	7030003440	S.RES ERJ3GEYJ 102 V (1 k)	T	58.2/13.3
R247	7030003440	S.RES ERJ3GEYJ 102 V (1 k)	T	56.9/13.3
R248	7030003440	S.RES ERJ3GEYJ 102 V (1 k)	T	55.6/13.3
R249	7030003440	S.RES ERJ3GEYJ 102 V (1 k)	T	54.3/13.3
R250	7030003440	S.RES ERJ3GEYJ 102 V (1 k)	T	52.7/13
R251	7030003320	S.RES ERJ3GEYJ 101 V (100)	T	48.4/13.3
R254	7030003680	S.RES ERJ3GEYJ 104 V (100 k)	T	58.5/40
R304	7030003640	S.RES ERJ3GEYJ 473 V (47 k)	T	58.8/29
R306	7030003640	S.RES ERJ3GEYJ 473 V (47 k)	T	24.9/42.4
R310	7030003440	S.RES ERJ3GEYJ 102 V (1 k)	T	24.9/43.6
R311	7030003440	S.RES ERJ3GEYJ 102 V (1 k)	T	110.3/54
R326	7030003360	S.RES ERJ3GEYJ 221 V (220)	T	106.5/54
R327	7030003580	S.RES ERJ3GEYJ 153 V (15 k)	T	104.6/55.2
R339	7070000261	RES ERG2SJ 220 (22)		
R340	7070000261	RES ERG2SJ 220 (22)		
R369	7030003860	S.RES ERJ3GE JPW V	T	19.2/86.8
R370	7030003440	S.RES ERJ3GEYJ 102 V (1 k)	T	14.6/91.4
R371	7030003440	S.RES ERJ3GEYJ 102 V (1 k)	T	19.4/85.6
R372	7030003440	S.RES ERJ3GEYJ 102 V (1 k)	T	14.6/90.2
R373	7030003440	S.RES ERJ3GEYJ 102 V (1 k)	T	19.4/84.4
R374	7030003440	S.RES ERJ3GEYJ 102 V (1 k)	T	14.6/89
R375	7030003440	S.RES ERJ3GEYJ 102 V (1 k)	T	19.4/83.2
R376	7030003440	S.RES ERJ3GEYJ 102 V (1 k)	T	14.6/87.8
R377	7030003440	S.RES ERJ3GEYJ 102 V (1 k)	T	19.4/82
R378	7030003440	S.RES ERJ3GEYJ 102 V (1 k)	T	14.6/86.6
R379	7030003440	S.RES ERJ3GEYJ 102 V (1 k)	T	19.4/80.8
R380	7030003440	S.RES ERJ3GEYJ 102 V (1 k)	T	14.6/85.4
R381	7030003440	S.RES ERJ3GEYJ 102 V (1 k)	T	19.4/79.6
R382	7030003440	S.RES ERJ3GEYJ 102 V (1 k)	T	14.6/84.2
R383	7030003440	S.RES ERJ3GEYJ 102 V (1 k)	T	19.4/78.4
R384	7030003440	S.RES ERJ3GEYJ 102 V (1 k)	T	14.6/83
R385	7030003440	S.RES ERJ3GEYJ 102 V (1 k)	T	14.6/81.8
R386	7030003440	S.RES ERJ3GEYJ 102 V (1 k)	T	19.3/77.2
R387	7030003440	S.RES ERJ3GEYJ 102 V (1 k)	T	14.6/80.3
R388	7030003440	S.RES ERJ3GEYJ 102 V (1 k)	T	19.6/73.5
R389	7030003440	S.RES ERJ3GEYJ 102 V (1 k)	T	14.6/76.7
R390	7030003440	S.RES ERJ3GEYJ 102 V (1 k)	T	22.3/73
R391	7030003440	S.RES ERJ3GEYJ 102 V (1 k)	T	14.6/75
R392	7030003440	S.RES ERJ3GEYJ 102 V (1 k)	T	14.6/77
R393	7030003560	S.RES ERJ3GEYJ 103 V (10 k)	T	19.3/74.8
R394	7030003560	S.RES ERJ3GEYJ 103 V (10 k)	T	14.6/79.1
R395	7030003560	S.RES ERJ3GEYJ 103 V (10 k)	T	19.3/76
R396	7030003560	S.RES ERJ3GEYJ 103 V (10 k)	T	36.1/32.5
R503	7030003640	S.RES ERJ3GEYJ 473 V (47 k)	T	51.5/13
R532	7030003440	S.RES ERJ3GEYJ 102 V (1 k)	T	18.2/13.9
R560	7030003440	S.RES ERJ3GEYJ 102 V (1 k)	T	19.4/13.9
R561	7030003440	S.RES ERJ3GEYJ 102 V (1 k)	T	20.6/13.9
R562	7030003440	S.RES ERJ3GEYJ 102 V (1 k)	T	21.8/13
R563	7030003440	S.RES ERJ3GEYJ 102 V (1 k)	T	23/13.9
R564	7030003440	S.RES ERJ3GEYJ 102 V (1 k)	T	24.2/13.9
R565	7030003440	S.RES ERJ3GEYJ 102 V (1 k)	T	25.4/13.9
R566	7030003440	S.RES ERJ3GEYJ 102 V (1 k)	T	26.6/13.9
R567	7030003440	S.RES ERJ3GEYJ 102 V (1 k)	T	27.8/13.9
R568	7030003440	S.RES ERJ3GEYJ 102 V (1 k)	T	29/13.9
R569	7030003440	S.RES ERJ3GEYJ 102 V (1 k)	T	30.2/13.9
R570	7030003440	S.RES ERJ3GEYJ 102 V (1 k)	T	31.4/13.9
R571	7030003440	S.RES ERJ3GEYJ 102 V (1 k)	T	32.6/13.9
R572	7030003440	S.RES ERJ3GEYJ 102 V (1 k)	T	33.8/13.9
R573	7030003440	S.RES ERJ3GEYJ 102 V (1 k)	T	35/13.9
R574	7030003440	S.RES ERJ3GEYJ 102 V (1 k)	T	36.2/13.9
R575	7030003440	S.RES ERJ3GEYJ 102 V (1 k)	T	37.4/13.9
R576	7030003440	S.RES ERJ3GEYJ 102 V (1 k)	T	38.6/13.9
R577	7030003440	S.RES ERJ3GEYJ 102 V (1 k)	T	39.8/13.9
R578	7030003440	S.RES ERJ3GEYJ 102 V (1 k)	T	41/13.9
R579	7030003440	S.RES ERJ3GEYJ 102 V (1 k)	T	42.2/13.9
R580	7030003440	S.RES ERJ3GEYJ 102 V (1 k)	T	43.4/13.9
R581	7030003440	S.RES ERJ3GEYJ 102 V (1 k)	T	53.5/68.5

[DISPLAY UNIT]

REF NO.	ORDER NO.	DESCRIPTION	M.	H/V LOCATION
R612	7030003560	S.RES ERJ3GEYJ 103 V (10 k)	T	23.2/55.7
R613	7030003560	S.RES ERJ3GEYJ 103 V (10 k)	T	9.3/71.1
R614	7030003860	S.RES ERJ3GE JPW V	T	9.3/69.9
R615	7030003860	S.RES ERJ3GE JPW V	T	9.3/67.5
R616	7030003860	S.RES ERJ3GE JPW V	T	9.6/73
R617	7030003720	S.RES ERJ3GEYJ 224 V (220 k)	T	9.3/68.7
R618	7030003720	S.RES ERJ3GEYJ 224 V (220 k)	T	9.3/66.3
R619	7030003720	S.RES ERJ3GEYJ 224 V (220 k)	T	50.6/73.7
R651	7030003650	S.RES ERJ3GEYJ 563 V (56 k)	T	50.6/72.5
R652	7030003620	S.RES ERJ3GEYJ 333 V (33 k)	T	53.5/66.6
R653	7030003520	S.RES ERJ3GEYJ 472 V (4.7 k)	T	25.7/57.5
C1	4030011600	S.CER C1608 JB 1E 104K-T	T	131.3/74.7
C8	4030011600	S.CER C1608 JB 1E 104K-T	T	108.2/58.5
C200	4030011600	S.CER C1608 JB 1E 104K-T	T	93.6/36.5
C201	4340000360	S.MLR ECWU1H104JC9	T	125.1/37.2
C202	4030019160	S.CER C4520 CH 3F 100FT	T	50.5/39.9
C203	4030007020	S.CER C1608 CH 1H 120J-T	T	47.9/40
C204	4030007020	S.CER C1608 CH 1H 120J-T	T	109/64
C205	4550007370	S.TAN F931V225MBABMA	T	71/60
C206	4030011600	S.CER C1608 JB 1E 104K-T	T	32.5/81.1
C207	4030011600	S.CER C1608 JB 1E 104K-T	T	120.8/89.6
C208	4030011600	S.CER C1608 JB 1E 104K-T	T	104.2/89.6
C209	4030011600	S.CER C1608 JB 1E 104K-T	T	100.3/64.6
C210	4030011600	S.CER C1608 JB 1E 104K-T	T	65.8/60.4
C211	4030011600	S.CER C1608 JB 1E 104K-T	T	69/66.9
C212	4030011600	S.CER C1608 JB 1E 104K-T	T	77.8/52
C213	4510009150	S.ELE EEE1EA470WP	T	72.5/68.7
C214	4510008800	S.ELE EEE1EA100SR	T	101.7/55.2
C215	4030011600	S.CER C1608 JB 1E 104K-T	T	62.3/11.2
C216	4030011600	S.CER C1608 JB 1E 104K-T	T	38.9/79.7
C217	4030011600	S.CER C1608 JB 1E 104K-T	T	44.3/77.9
C218	4510009150	S.ELE EEE1EA470WP	T	40.1/79.7
C219	4030006860	S.CER C1608 JB 1H 102K-T	T	103.9/59.3
C220	4550007510	S.TAN F931C106MBABMA	T	104.6/54
C221	4030011600	S.CER C1608 JB 1E 104K-T	T	90.7/36.6
C222	4340000330	S.MLR ECHU1H103J	T	88.6/36.6
C223	4340000330	S.MLR ECHU1H103J	T	48.1/38.2
C224	4030011600	S.CER C1608 JB 1E 104K-T	T	47.6/17.4
C231	4030011600	S.CER C1608 JB 1E 104K-T	T	58/31.2
C232	4030011600	S.CER C1608 JB 1E 104K-T	T	50.3/81.1
C235	4030011600	S.CER C1608 JB 1E 104K-T	T	105.5/75.5
C241	4030011600	S.CER C1608 JB 1E 104K-T	T	106.7/75.5
C242	4030011600	S.CER C1608 JB 1E 104K-T	T	104.3/75.5
C243	4030011600	S.CER C1608 JB 1E 104K-T	T	103.1/75.5
C244	4030011600	S.CER C1608 JB 1E 104K-T	T	110.1/87.8
C245	4030011600	S.CER C1608 JB 1E 104K-T	T	110.1/86.6
C246	4030011600	S.CER C1608 JB 1E 104K-T	T	110.1/85.4
C247	4030011600	S.CER C1608 JB 1E 104K-T	T	110.1/84.2
C248	4030011600	S.CER C1608 JB 1E 104K-T	T	127.1/84.6
C253	4030011600	S.CER C1608 JB 1E 104K-T	T	127.1/85.8
C254	4030011600	S.CER C1608 JB 1E 104K-T	T	127.1/87
C255	4030011600	S.CER C1608 JB 1E 104K-T	T	127.1/88.2
C256	4030011600	S.CER C1608 JB 1E 104K-T	T	50.7/66.5
C501	4030008890	S.CER C1608 JB 1H 273K-T	T	53.7/77.3
C601	4510008800	S.ELE EEE1EA100SR	T	39.2/41.8
C602	4030011600	S.CER C1608 JB 1E 104K-T	T	8.5/58
C610	4030006900	S.CER C1608 JB 1H 103K-T	T	8.5/54.9
C611	4030006900	S.CER C1608 JB 1H 103K-T	T	133.2/55.8
C613	4030011600	S.CER C1608 JB 1E 104K-T	T	28.8/61.2
C614	4030006860	S.CER C1608 JB 1H 102K-T	T	30.2/54.2
C615	4030006860	S.CER C1608 JB 1H 102K-T	T	8.4/74.1
C616	4030011600	S.CER C1608 JB 1E 104K-T	T	50.6/71.3
C652	4030011600	S.CER C1608 JB 1E 104K-T	T	10.7/86.3
J1	6510021721	S.CNR 30FLT-SM2-TB (LF) (SN)	T	131.5/65.2
J3	6510021721	S.CNR 30FLT-SM2-TB (LF) (SN)	T	30.8/8.8
J4	6510021561	S.CNR 52808-2470 (2490)	T	25/90.1
J5	6510019971	S.CNR 52808-1071	T	55.4/8.8
J7	6510019971	S.CNR 52808-1071	T	6.2/28.7
J201	6510022471	S.CNR 40FLT-SM2-TB (LF) (SN)	T	11.8/48.5
J202	6510022471	S.CNR 40FLT-SM2-TB (LF) (SN)	T	44/90.1
J203	6510020081	S.CNR 52808-2071 (2090)	T	131.7/38.9
J601	6510021861	CNR BH-800.4GG <LTC>	T	2.5/56.7
J610	6510022191	S.CNR B3B-PH-SM4-TB (LF) (SN)	T	2.5/70.9
T201	5910001050	TSM 3319-T106-LF		
BT601	3020000110	LTM CR2032		
EP203	6910014730	S.BEA MPZ2012S331A-T	T	49.3/84.4
EP205	6910014730	S.BEA MPZ2012S331A-T	T	60.8/34.8
EP208	6910014730	S.BEA MPZ2012S331A-T	T	47.5/84.4

[LOGIC UNIT]

REF NO.	ORDER NO.	DESCRIPTION	M.	H/V LOCATION
IC1	1140011551	S.IC MT48LC16M16A2P-75	B	74/106.9
IC2	1140011551	S.IC MT48LC16M16A2P-75	T	74/114
IC51	1130011591	S.IC IDT70V24L15PFG	B	110.2/71
IC52	1140009781	S.IC XC9572XL-10TQG100C	B	131.2/71
IC53	1110005821	S.IC R3112N281A-TR-F	T	160.2/52
IC54	1130007431	S.IC TC7S14FU (TE85R,F)	T	164.5/51.8
IC55	1130008041	S.IC TC7SH04FU (TE85L,JF)	T	112.6/49.4
IC101	1130011010	S.IC SN74CBTLV3257PWR <ACE>	T	39.9/90.3
IC102	1130006441	S.IC TC7S08F (TE85R,F)	T	76.7/54
IC103	1140011561	S.IC HD6417751RBP200V	T	68.2/79.9
IC104	1130008361	S.IC TC7SHU04FU (TE85L,JF)	T	24.1/75.9
IC105	1130013700	S.IC CY2292FXC (RX-2844H)	T	27.3/84
IC106	1130011110	S.IC TC74VCX04FT (EL)	T	24.7/93.6
IC201	1130014630	S.IC MT48LC16M16A2P-75 IT:D	B	142.7/92.3
IC201	1140011551	S.IC MT48LC16M16A2P-75	B	142.7/92.3
IC202	1140011551	S.IC MT48LC16M16A2P-75	B	142.8/110.5
IC203	1140011571	S.IC HD64404BTDV	T	112.1/93.4
IC204	1140011581	S.IC ADV7123KSTZ50	B	116.7/134.5
IC205	1130011941	S.IC TC7S204F (TE85L,F)	T	111.2/139.8
IC206	1130012150	S.IC SN74ACT04PWR	B	165.5/94.4
IC207	1130005721	S.IC TC7W04F (TE12L,F)	B	15/67
IC208	1130011951	S.IC PD16875G-E1-A	B	8.2/67
IC209	1190001920	S.IC AK5355-VT-E2	B	86.7/126.2
IC211	1190001910	S.IC AK4384-VT-E2	B	86.7/133.2
IC212	1130013830	S.IC TC7SA34FU (TE85L,F)	B	106.9/122.1
IC401	1130010970	S.IC PCI1410APGE	B	38.2/63.5
IC402	1130011960	S.IC TPS2211AIDBR	B	36.5/46.2
IC403	1130009570	S.IC BR93LC46F-WE2	T	38.9/81.8
IC404	1130010990	S.IC RTL8139C <MI>	B	37.7/91.5
IC405	1130013830	S.IC TC7SA34FU (TE85L,F)	T	39.1/56.7
IC601	1130012781	S.IC SN74AHC2G04HDCT3	B	53.6/36.6
IC604	1140011590	S.IC HD64F2377VFQ33V (EMPTY)	B	101.7/45.5
IC605	1140009781	S.IC XC9572XL-10TQG100C	B	155.7/72
IC607	1130006441	S.IC TC7S08F (TE85R,F)	B	74.3/37.6
IC608	1130006441	S.IC TC7S08F (TE85R,F)	B	78/37.6
IC609	1130005252	S.IC TC74HC08AF (EL,F)	B	74.7/44.8
IC610	1130012830	S.IC HN58X24512FPIEZ (SOP8)	B	64.7/50
IC801	1180001251	S.IC TA7805F (TE16L,Q)	B	176.5/150.4
IC802	1180001071	S.IC TA7805F (TE16L,Q)	B	190.5/138
IC803	1180001071	S.IC TA7805F (TE16L,Q)	B	23.8/5.2
IC804	1180002020	S.REG BA033FP-E2	B	182.1/38.2
IC805	1180002601	S.REG TA48015F (TE16L,NQ)	B	15.7/15
IC806	1180001071	S.IC TA7805F (TE16L,Q)	B	50.8/147.3
IC855	1190002140	S.IC SAA7115HLV1	T	136.3/136.1
IC856	1190002150	S.IC SAA7105HV1	B	140.5/35.3
IC923	1130012000	S.IC M62352AGF C60Q	T	17/132.9
IC1001	1110003870	S.IC NJM2058M-TE1-#ZZZB	B	29.3/127.5
IC1031	1110005080	S.IC NJM2246M-TE1-#ZZZB	T	164.3/131.3
Q601	1530002060	S.TR 2SC4081 T106 R	B	48.2/37.8
Q602	1510000510	S.TR 2SA1576A T106R	B	48.2/33.7
Q1031	1530002060	S.TR 2SC4081 T106 R	T	171.5/137.1
Q1032	1590003530	S.TR BCR08PN except [USA], [FRA], [AUS], [CHN] UMD22N TR [USA], [FRA], [AUS], [CHN]	T	37.3/24.4
D201	1790000980	S.DIO MA742 (TX)	B	116.7/144.5
D202	1790000980	S.DIO MA742 (TX)	B	116.7/147.7
D203	1790000980	S.DIO MA742 (TX)	B	116.6/150.6
D204	1790000980	S.DIO MA742 (TX)	B	174.6/102.5
D205	1790000980	S.DIO MA742 (TX)	B	174.6/99.7
D206	1790000980	S.DIO MA742 (TX)	B	27.3/36.4
D207	1790000980	S.DIO MA742 (TX)	B	27.3/33.9
D601	1750000550	S.DIO 1SS355 TE-17	B	45.8/37
D653	1750000550	S.DIO 1SS355 TE-17 [EUR], [UK], [AUS] only	T	159.9/82.2
D654	1750000550	S.DIO 1SS355 TE-17 [EUR], [UK], [AUS] only	T	158.1/82.2
D655	1750000550	S.DIO 1SS355 TE-17 [EUR], [UK], [AUS] only	T	154.5/82.2
D656	1750000550	S.DIO 1SS355 TE-17	T	150.9/82.2
D657	1750000550	S.DIO 1SS355 TE-17	T	150.9/82.2
D658	1750000550	S.DIO 1SS355 TE-17 [EUR], [UK], [AUS] only	T	152.7/82.2
D663	1750000550	S.DIO 1SS355 TE-17 [EUR], [UK], [AUS] only	B	181.2/104.8
D665	1750000550	S.DIO 1SS355 TE-17 [EUR], [UK], [AUS] only	B	181.2/99.6
X101	6050011610	S.XTL CR-751 (25.000 MHz)	T	17.6/78.1
X201	6050010680	S.XTL CR-628 (24.576 MHz)	T	119.6/109.6
X202	6050011910	S.XTL CR-780 (48 MHz)	T	115.2/76.7
X601	6050011810	S.XTL CR-755 (15.9744 MHz)	T	96.6/28.6
L101	6200004940	S.COL MLF1608D R27K-T	T	19.8/92.2
L102	6200004940	S.COL MLF1608D R27K-T	T	22.1/97
L103	6200004940	S.COL MLF1608D R27K-T	T	29.6/94
L203	6200002631	S.COL NLV25T-R10J	B	120.2/145.8
L204	6200002631	S.COL NLV25T-R10J	B	120.2/152.2
L205	6200002631	S.COL NLV25T-R10J	B	113/150
L380	6200004961	S.COL NLV25T-R33J	T	109.5/120.8
L381	6200004961	S.COL NLV25T-R33J	T	106.6/123
L382	6200004961	S.COL NLV25T-R33J	B	103.8/118.3
L383	6200004961	S.COL NLV25T-R33J	B	100.4/118.3
L561	6200003091	S.COL NLV32T-2R7J	B	157.6/34
L562	6200003091	S.COL NLV32T-2R7J	B	157.7/39.8
L826	6180003321	S.COL SLF6028T-150M1R0-PF	T	178.8/77.5
L901	6200003241	S.COL NLV32T-221J	B	5/104.7
L962	6200002041	S.COL NLV25T-101J	T	29.1/11.3

M.=Mounted side (T: Mounted on the Top side B: Mounted on the Bottom side) S.=Surface mount

[LOGIC UNIT]

REF NO.	ORDER NO.	DESCRIPTION	M.	H/V LOCATION
L1053	6910000670	COL BL01RN1A1D2B (BL01RN1-A62) [EUR], [UK], [AUS] only		
R1	7030003520	S.RES ERJ3GEYJ 472 V (4.7 k)	T	106.3/116.3
R2	7030003560	S.RES ERJ3GEYJ 103 V (10 k)	T	107.6/116.3
R51	7030003520	S.RES ERJ3GEYJ 472 V (4.7 k)	T	164.1/02.4
R52	7030003560	S.RES ERJ3GEYJ 103 V (10 k)	T	156.6/51.8
R59	7030003260	S.RES ERJ3GEYJ 330 V (33)	T	136.2/73.4
R101	7030003680	S.RES ERJ3GEYJ 104 V (100 k)	T	34.9/0.2
R102	7030003520	S.RES ERJ3GEYJ 472 V (4.7 k)	T	45.7/88.7
R103	7030003520	S.RES ERJ3GEYJ 472 V (4.7 k)	T	45.7/90.7
R104	7030003520	S.RES ERJ3GEYJ 472 V (4.7 k)	T	34.5/88.3
R105	7030003520	S.RES ERJ3GEYJ 472 V (4.7 k)	T	34.9/1.5
R106	7030003560	S.RES ERJ3GEYJ 103 V (10 k)	B	69.3/75.1
R107	7030003560	S.RES ERJ3GEYJ 103 V (10 k)	B	64.1/75.1
R108	7030003560	S.RES ERJ3GEYJ 103 V (10 k)	B	63.1/64.5
R109	7030003560	S.RES ERJ3GEYJ 103 V (10 k)	B	66.7/73.8
R110	7030003560	S.RES ERJ3GEYJ 103 V (10 k)	T	69.6/64.3
R111	7030003560	S.RES ERJ3GEYJ 103 V (10 k)	B	69.3/73.8
R112	7030003560	S.RES ERJ3GEYJ 103 V (10 k)	T	68.3/64.3
R113	7030003560	S.RES ERJ3GEYJ 103 V (10 k)	B	64.1/73.8
R114	7030003560	S.RES ERJ3GEYJ 103 V (10 k)	B	60.5/64.5
R115	7030003560	S.RES ERJ3GEYJ 103 V (10 k)	B	64.1/77.7
R116	7030003560	S.RES ERJ3GEYJ 103 V (10 k)	B	64.1/76.4
R117	7030003260	S.RES ERJ3GEYJ 330 V (33)	B	57.9/64.5
R118	7030003560	S.RES ERJ3GEYJ 103 V (10 k)	B	64.1/73.8
R119	7030003560	S.RES ERJ3GEYJ 103 V (10 k)	B	55.9/65
R120	7030003560	S.RES ERJ3GEYJ 103 V (10 k)	B	64.1/80.3
R121	7030003560	S.RES ERJ3GEYJ 103 V (10 k)	B	57.9/61.9
R122	7030003560	S.RES ERJ3GEYJ 103 V (10 k)	B	54/71
R123	7030003560	S.RES ERJ3GEYJ 103 V (10 k)	B	57.9/60.6
R124	7030003680	S.RES ERJ3GEYJ 104 V (100 k)	T	65.7/64.3
R125	7030003520	S.RES ERJ3GEYJ 472 V (4.7 k)	T	67/64.3
R126	7030003560	S.RES ERJ3GEYJ 103 V (10 k)	B	66.7/76.4
R127	7030003560	S.RES ERJ3GEYJ 103 V (10 k)	B	66.7/75.1
R128	7030003560	S.RES ERJ3GEYJ 103 V (10 k)	T	68.3/60.7
R129	7030003560	S.RES ERJ3GEYJ 103 V (10 k)	T	69.6/61.7
R130	7030003560	S.RES ERJ3GEYJ 103 V (10 k)	B	71.1/65.5
R131	7030003560	S.RES ERJ3GEYJ 103 V (10 k)	B	69.3/76.4
R132	7030003560	S.RES ERJ3GEYJ 103 V (10 k)	T	70.9/64.3
R133	7030003560	S.RES ERJ3GEYJ 103 V (10 k)	T	70.9/61.7
R134	7030003200	S.RES ERJ3GEYJ 100 V (10)	B	71.9/73.8
R135	7030003200	S.RES ERJ3GEYJ 100 V (10)	B	71.9/75.1
R136	7030003200	S.RES ERJ3GEYJ 100 V (10)	B	84.8/65.5
R137	7030004050	S.RES ERJ3GEYJ 1R0 V (1)	B	64.1/83
R138	7030003560	S.RES ERJ3GEYJ 103 V (10 k)	B	64.1/84.3
R139	7030003560	S.RES ERJ3GEYJ 103 V (10 k)	B	64.4/93
R140	7410000990	S.ARY EXB-V8V 470JV (47)	T	61.7/97.7
R141	7410000990	S.ARY EXB-V8V 470JV (47)	T	58/97.7
R142	7410000990	S.ARY EXB-V8V 470JV (47)	T	69.1/97.7
R143	7410000990	S.ARY EXB-V8V 470JV (47)	T	76.5/97.7
R144	7410000990	S.ARY EXB-V8V 470JV (47)	T	65.4/97.7
R145	7410000990	S.ARY EXB-V8V 470JV (47)	T	72.8/97.7
R146	7030003280	S.RES ERJ3GEYJ 470 V (47)	T	84.7/96.7
R147	7030003280	S.RES ERJ3GEYJ 470 V (47)	T	84.7/95.4
R148	7410000990	S.ARY EXB-V8V 470JV (47)	T	80.2/97.7
R149	7410000990	S.ARY EXB-V8V 470JV (47)	T	84.7/69.9
R150	7410000990	S.ARY EXB-V8V 470JV (47)	T	84.7/73.6
R151	7410000990	S.ARY EXB-V8V 470JV (47)	T	84.7/77.3
R152	7410000990	S.ARY EXB-V8V 470JV (47)	T	84.7/81
R153	7030003200	S.RES ERJ3GEYJ 100 V (10)	T	84.7/98
R154	7410000990	S.ARY EXB-V8V 470JV (47)	T	84.7/84.7
R155	7410000990	S.ARY EXB-V8V 470JV (47)	T	84.7/88.4
R156	7410000990	S.ARY EXB-V8V 470JV (47)	T	84.7/92.9
R157	7410000800	S.ARY EXB-V8V 103JV (10 k)	T	92.1/53.7
R158	7030003560	S.RES ERJ3GEYJ 103 V (10 k)	T	91.4/49.8
R159	7030003560	S.RES ERJ3GEYJ 103 V (10 k)	T	79/56.3
R161	7030003250	S.RES ERJ3GEYJ 270 V (27)	T	23.8/79.6
R162	7030003800	S.RES ERJ3GEYJ 105 V (1 M)	T	20.9/76.7
R163	7030003320	S.RES ERJ3GEYJ 101 V (100)	T	27.2/90.2
R164	7030003250	S.RES ERJ3GEYJ 270 V (27)	B	25.5/83.3
R165	7030003340	S.RES ERJ3GEYJ 151 V (150)	T	21.5/73.5
R168	7030003430	S.RES ERJ3GEYJ 821 V (820)	T	33.2/81.3
R169	7030003330	S.RES ERJ3GEYJ 121 V (120)	T	34/84.2
R170	7030003600	S.RES ERJ3GEYJ 223 V (22 k)	B	53.9/55.3
R171	7030003600	S.RES ERJ3GEYJ 223 V (22 k)	B	50/90.2
R172	7030003600	S.RES ERJ3GEYJ 223 V (22 k)	B	50/91.5
R173	7030003600	S.RES ERJ3GEYJ 223 V (22 k)	B	53.3/92.3
R174	7030003600	S.RES ERJ3GEYJ 223 V (22 k)	B	53.3/93.7
R175	7030003600	S.RES ERJ3GEYJ 223 V (22 k)	B	53.3/95
R176	7030003600	S.RES ERJ3GEYJ 223 V (22 k)	B	50/88.9
R201	7030003720	S.RES ERJ3GEYJ 224 V (220 k)	T	128.2/109.9
R202	7030003720	S.RES ERJ3GEYJ 224 V (220 k)	T	129.5/109.9
R203	7030003720	S.RES ERJ3GEYJ 224 V (220 k)	T	130.8/109.9
R204	7030003720	S.RES ERJ3GEYJ 224 V (220 k)	T	132.1/109.9
R205	7030003720	S.RES ERJ3GEYJ 224 V (220 k)	T	133.4/109.9
R206	7030003720	S.RES ERJ3GEYJ 224 V (220 k)	T	134.7/109.9
R207	7030003720	S.RES ERJ3GEYJ 224 V (220 k)	T	136/109.9
R208	7030003720	S.RES ERJ3GEYJ 224 V (220 k)	T	137.3/109.9
R209	7030003720	S.RES ERJ3GEYJ 224 V (220 k)	T	129.2/100.6
R212	7030003640	S.RES ERJ3GEYJ 473 V (47 k)	T	98.4/97.8
R213	7030003640	S.RES ERJ3GEYJ 473 V (47 k)	T	98.4/99.1
R218	7030003520	S.RES ERJ3GEYJ 472 V (4.7 k)	T	134.2/67.2
R219	7030003520	S.RES ERJ3GEYJ 472 V (4.7 k)	T	99.2/94.4
R220	7030003520	S.RES ERJ3GEYJ 472 V (4.7 k)	B	108.8/89.4
R221	7030003560	S.RES ERJ3GEYJ 103 V (10 k)	T	98.4/88.7
R225	7030003560	S.RES ERJ3GEYJ 103 V (10 k)	B	108.8/94.6
R226	7030003560	S.RES ERJ3GEYJ 103 V (10 k)	B	108.8/95.9
R227	7030003560	S.RES ERJ3GEYJ 103 V (10 k)	T	106.7/113.2
R228	7030003560	S.RES ERJ3GEYJ 103 V (10 k)	T	106.7/110.2
R229	7030003560	S.RES ERJ3GEYJ 103 V (10 k)	T	106.2/107.2
R230	7030003560	S.RES ERJ3GEYJ 103 V (10 k)	T	108/110.2
R231	7030003560	S.RES ERJ3GEYJ 103 V (10 k)	T	107.6/107.2

[LOGIC UNIT]

REF NO.	ORDER NO.	DESCRIPTION	M.	H/V LOCATION
R232	7030003560	S.RES ERJ3GEYJ 103 V (10 k)	B	108.1/98.2
R233	7030003560	S.RES ERJ3GEYJ 103 V (10 k)	T	108/113.2
R234	7030003560	S.RES ERJ3GEYJ 103 V (10 k)	T	108.9/107.2
R235	7030003560	S.RES ERJ3GEYJ 103 V (10 k)	T	109.3/110.2
R236	7030003560	S.RES ERJ3GEYJ 103 V (10 k)	T	109.3/113.2
R237	7030003560	S.RES ERJ3GEYJ 103 V (10 k)	B	109.4/98.2
R238	7030003560	S.RES ERJ3GEYJ 103 V (10 k)	T	110.2/107.2
R239	7030003560	S.RES ERJ3GEYJ 103 V (10 k)	T	110.6/110.2
R240	7030003560	S.RES ERJ3GEYJ 103 V (10 k)	T	110.6/113.2
R241	7030003560	S.RES ERJ3GEYJ 103 V (10 k)	B	111.7/104.4
R242	7030003560	S.RES ERJ3GEYJ 103 V (10 k)	T	111.6/107.2
R243	7030003560	S.RES ERJ3GEYJ 103 V (10 k)	B	110.7/98.2
R244	7030003560	S.RES ERJ3GEYJ 103 V (10 k)	T	111.3/79.7
R245	7030003560	S.RES ERJ3GEYJ 103 V (10 k)	T	104.8/79.7
R246	7030003560	S.RES ERJ3GEYJ 103 V (10 k)	T	103.5/76.6
R247	7030003560	S.RES ERJ3GEYJ 103 V (10 k)	B	111.4/89.4
R248	7030003560	S.RES ERJ3GEYJ 103 V (10 k)	T	106.1/79.7
R249	7030003560	S.RES ERJ3GEYJ 103 V (10 k)	T	100.9/79.7
R250	7030003560	S.RES ERJ3GEYJ 103 V (10 k)	T	102.2/79.7
R251	7030003560	S.RES ERJ3GEYJ 103 V (10 k)	T	104.8/76.6
R252	7030003560	S.RES ERJ3GEYJ 103 V (10 k)	T	102.2/76.6
R253	7030003560	S.RES ERJ3GEYJ 103 V (10 k)	T	98.4/90
R254	7030003560	S.RES ERJ3GEYJ 103 V (10 k)	T	103.5/79.7
R255	7030003560	S.RES ERJ3GEYJ 103 V (10 k)	T	100.9/76.6
R256	7030003560	S.RES ERJ3GEYJ 103 V (10 k)	B	111.4/92
R257	7030003560	S.RES ERJ3GEYJ 103 V (10 k)	T	107.4/79.7
R258	7030003560	S.RES ERJ3GEYJ 103 V (10 k)	B	111.4/93.3
R259	7030003560	S.RES ERJ3GEYJ 103 V (10 k)	T	107.4/76.6
R260	7030003560	S.RES ERJ3GEYJ 103 V (10 k)	B	111.4/94.6
R261	7030003560	S.RES ERJ3GEYJ 103 V (10 k)	T	108.7/76.6
R262	7030003560	S.RES ERJ3GEYJ 103 V (10 k)	B	111.4/95.9
R263	7030003560	S.RES ERJ3GEYJ 103 V (10 k)	B	108.7/81.6
R264	7030003560	S.RES ERJ3GEYJ 103 V (10 k)	B	112.7/87.6
R265	7030003560	S.RES ERJ3GEYJ 103 V (10 k)	T	107.4/74
R266	7030003560	S.RES ERJ3GEYJ 103 V (10 k)	T	108.7/74
R267	7030003560	S.RES ERJ3GEYJ 103 V (10 k)	T	110/79.7
R268	7030003560	S.RES ERJ3GEYJ 103 V (10 k)	B	106.1/81.6
R269	7030003560	S.RES ERJ3GEYJ 103 V (10 k)	T	108.7/79.7
R270	7030003560	S.RES ERJ3GEYJ 103 V (10 k)	T	106.1/76.6
R271	7030003560	S.RES ERJ3GEYJ 103 V (10 k)	T	106.1/74
R272	7030003560	S.RES ERJ3GEYJ 103 V (10 k)	B	129.4/86.1
R273	7030003560	S.RES ERJ3GEYJ 103 V (10 k)	T	128.7/83.2
R274	7030003560	S.RES ERJ3GEYJ 103 V (10 k)	B	114.6/94.7
R275	7030003560	S.RES ERJ3GEYJ 103 V (10 k)	T	125.7/84.5
R276	7030003560	S.RES ERJ3GEYJ 103 V (10 k)	T	121.5/79.8
R277	7030003560	S.RES ERJ3GEYJ 103 V (10 k)	T	128.7/81.6
R278	7030003560	S.RES ERJ3GEYJ 103 V (10 k)	T	128.7/80.6
R279	7030003560	S.RES ERJ3GEYJ 103 V (10 k)	B	114.6/96
R280	7030003560	S.RES ERJ3GEYJ 103 V (10 k)	T	128.7/84.5
R281	7030003560	S.RES ERJ3GEYJ 103 V (10 k)	B	115.3/90.2
R282	7030003560	S.RES ERJ3GEYJ 103 V (10 k)	B	114/90.2
R283	7030003560	S.RES ERJ3GEYJ 103 V (10 k)	B	119.2/80.8
R284	7030003560	S.RES ERJ3GEYJ 103 V (10 k)	B	120.5/80.8
R285	7030003560	S.RES ERJ3GEYJ 103 V (10 k)	B	114.6/93.4
R286	7030003560	S.RES ERJ3GEYJ 103 V (10 k)	T	128.7/79.3
R287	7030003560	S.RES ERJ3GEYJ 103 V (10 k)	T	118.9/79.8
R288	7030003560	S.RES ERJ3GEYJ 103 V (10 k)	T	123.4/78.4
R289	7030003560	S.RES ERJ3GEYJ 103 V (10 k)	T	117.6/79.8
R290	7030003560	S.RES ERJ3GEYJ 103 V (10 k)	B	114.6/92
R291	7030003560	S		

[LOGIC UNIT]

REF NO.	ORDER NO.	DESCRIPTION	M.	H/V LOCATION
R353	7030003860	S.RES ERJ3GE JPW V	B	185.9/82.2
R355	7030003860	S.RES ERJ3GE JPW V	B	185.9/83.5
R356	7030003860	S.RES ERJ3GE JPW V	B	173.7/82.4
R361	7030003320	S.RES ERJ3GEYJ 101 V (100)	T	108.8/139
R371	7030003560	S.RES ERJ3GEYJ 103 V (10 k)	T	112/113.2
R372	7030003560	S.RES ERJ3GEYJ 103 V (10 k)	B	116.1/105.8
R373	7030003560	S.RES ERJ3GEYJ 103 V (10 k)	B	119.2/105.9
R374	7030003560	S.RES ERJ3GEYJ 103 V (10 k)	T	112.9/107.2
R375	7030003560	S.RES ERJ3GEYJ 103 V (10 k)	T	112/110.2
R376	7030003560	S.RES ERJ3GEYJ 103 V (10 k)	B	111.7/105.7
R377	7030003560	S.RES ERJ3GEYJ 103 V (10 k)	T	110.1/74
R378	7030003560	S.RES ERJ3GEYJ 103 V (10 k)	T	123.4/79.8
R381	7030003240	S.RES ERJ3GEYJ 220 V (22)	T	107.6/120.5
R382	7030003240	S.RES ERJ3GEYJ 220 V (22)	T	106.3/120.5
R383	7030003280	S.RES ERJ3GEYJ 470 V (47)	B	101.4/120.2
R385	7030003280	S.RES ERJ3GEYJ 470 V (47)	B	117.9/105.9
R386	7030003280	S.RES ERJ3GEYJ 470 V (47)	B	104.2/120.9
R387	7030003280	S.RES ERJ3GEYJ 470 V (47)	B	101.4/121.5
R388	7030003280	S.RES ERJ3GEYJ 470 V (47)	B	101.4/123.2
R389	7030003280	S.RES ERJ3GEYJ 470 V (47)	B	104.2/122.6
R390	7030003280	S.RES ERJ3GEYJ 470 V (47)	B	123.7/82.2
R391	7030003280	S.RES ERJ3GEYJ 470 V (47)	B	121.8/80.8
R392	7030003280	S.RES ERJ3GEYJ 470 V (47)	B	124.1/83.5
R393	7030003280	S.RES ERJ3GEYJ 470 V (47)	B	113.9/105.1
R394	7030003240	S.RES ERJ3GEYJ 220 V (22)	B	105.6/124.9
R401	7030003320	S.RES ERJ3GEYJ 101 V (100)	B	54.6/59.9
R403	7030003560	S.RES ERJ3GEYJ 103 V (10 k)	B	31.2/50.6
R404	7030003560	S.RES ERJ3GEYJ 103 V (10 k)	B	37.5/50.6
R405	7030003560	S.RES ERJ3GEYJ 103 V (10 k)	B	24.5/56.5
R406	7030003560	S.RES ERJ3GEYJ 103 V (10 k)	T	38.2/62
R407	7030003560	S.RES ERJ3GEYJ 103 V (10 k)	T	35.6/62
R408	7030003560	S.RES ERJ3GEYJ 103 V (10 k)	T	42.8/66.8
R409	7030003560	S.RES ERJ3GEYJ 103 V (10 k)	T	37.6/72
R410	7030003560	S.RES ERJ3GEYJ 103 V (10 k)	T	35/72
R411	7030003560	S.RES ERJ3GEYJ 103 V (10 k)	T	38.9/72
R412	7030003560	S.RES ERJ3GEYJ 103 V (10 k)	T	40.2/72
R413	7030003560	S.RES ERJ3GEYJ 103 V (10 k)	T	41.5/72
R414	7030003560	S.RES ERJ3GEYJ 103 V (10 k)	T	36.3/72
R415	7030003560	S.RES ERJ3GEYJ 103 V (10 k)	B	40.3/41.2
R416	7030003560	S.RES ERJ3GEYJ 103 V (10 k)	B	39/41.2
R417	7030003560	S.RES ERJ3GEYJ 103 V (10 k)	B	37.7/41.2
R418	7030003320	S.RES ERJ3GEYJ 101 V (100)	B	50.8/97.5
R419	7030003440	S.RES ERJ3GEYJ 102 V (1 k)	B	26.2/99.4
R420	7030003580	S.RES ERJ3GEYJ 153 V (15 k)	B	24.7/98.1
R421	7030003470	S.RES ERJ3GEYJ 182 V (1.8 k)	B	27/91.4
R422	7030003250	S.RES ERJ3GEYJ 270 V (27)	B	26.2/89.2
R423	7030003560	S.RES ERJ3GEYJ 103 V (10 k)	B	29.3/105.2
R424	7030003560	S.RES ERJ3GEYJ 103 V (10 k)	B	26.2/100.7
R425	7030003380	S.RES ERJ3GEYJ 331 V (330)	T	43.3/104.6
R426	7030003380	S.RES ERJ3GEYJ 331 V (330)	T	43.3/103.3
R427	7030003380	S.RES ERJ3GEYJ 331 V (330)	T	43.3/102
R428	7030003320	S.RES ERJ3GEYJ 101 V (100)	T	22.4/108.5
R429	7030003320	S.RES ERJ3GEYJ 101 V (100)	T	23.7/108.5
R430	7030003320	S.RES ERJ3GEYJ 101 V (100)	T	25/108.5
R431	7030003320	S.RES ERJ3GEYJ 101 V (100)	T	26.3/108.5
R432	7030003320	S.RES ERJ3GEYJ 101 V (100)	T	33.4/122.5
R433	7030003320	S.RES ERJ3GEYJ 101 V (100)	T	32.1/122.5
R434	7030003320	S.RES ERJ3GEYJ 101 V (100)	T	30.1/122.5
R435	7030003320	S.RES ERJ3GEYJ 101 V (100)	T	28.8/122.5
R436	7030003340	S.RES ERJ3GEYJ 151 V (150)	T	29.5/108.5
R437	7030003340	S.RES ERJ3GEYJ 151 V (150)	T	30.8/108.5
R438	7030003340	S.RES ERJ3GEYJ 151 V (150)	T	24.4/125.8
R439	7030003340	S.RES ERJ3GEYJ 151 V (150)	T	24.4/124.5
R440	7030003340	S.RES ERJ3GEYJ 151 V (150)	T	24.3/122.5
R441	7030003340	S.RES ERJ3GEYJ 151 V (150)	T	23/122.5
R442	7030003340	S.RES ERJ3GEYJ 151 V (150)	T	21.7/122.5
R443	7030003340	S.RES ERJ3GEYJ 151 V (150)	T	20.4/122.5
R450	7030003860	S.RES ERJ3GE JPW V	T	49.8/52.3
R451	7030003860	S.RES ERJ3GE JPW V except [USA]	T	36/106.5
R501	7030003260	S.RES ERJ3GEYJ 330 V (33)	T	142.3/123.9
R502	7030003260	S.RES ERJ3GEYJ 330 V (33)	T	139.7/123.9
R503	7030003260	S.RES ERJ3GEYJ 330 V (33)	T	138.4/123.9
R504	7030003260	S.RES ERJ3GEYJ 330 V (33)	T	137.1/123.9
R505	7030003260	S.RES ERJ3GEYJ 330 V (33)	T	135.8/123.9
R506	7030003260	S.RES ERJ3GEYJ 330 V (33)	T	134.5/123.9
R507	7030003260	S.RES ERJ3GEYJ 330 V (33)	T	133.2/123.9
R508	7030003260	S.RES ERJ3GEYJ 330 V (33)	T	130.3/123.9
R509	7030003260	S.RES ERJ3GEYJ 330 V (33)	T	129/123.9
R510	7030003520	S.RES ERJ3GEYJ 472 V (4.7 k)	T	127.9/127.6
R511	7030003200	S.RES ERJ3GEYJ 100 V (10)	T	143.6/123.9
R512	7030003230	S.RES ERJ3GEYJ 180 V (18)	T	151/140.3
R513	7030003290	S.RES ERJ3GEYJ 560 V (56)	B	137.4/132.7
R514	7030003290	S.RES ERJ3GEYJ 560 V (56)	B	137.4/134
R515	7030003290	S.RES ERJ3GEYJ 560 V (56)	B	137.4/136.6
R516	7030003290	S.RES ERJ3GEYJ 560 V (56)	B	137.4/137.9
R517	7030003290	S.RES ERJ3GEYJ 560 V (56)	B	137.4/139.2
R518	7030003290	S.RES ERJ3GEYJ 560 V (56)	T	149/141.1
R519	7030003560	S.RES ERJ3GEYJ 103 V (10 k)	T	142.8/146.2
R520	7030003560	S.RES ERJ3GEYJ 103 V (10 k)	T	140/146.2
R521	7030003560	S.RES ERJ3GEYJ 103 V (10 k)	T	140/147.6
R522	7030003860	S.RES ERJ3GE JPW V	T	134.8/147
R523	7030003560	S.RES ERJ3GEYJ 103 V (10 k)	B	133.1/131.2
R524	7030003560	S.RES ERJ3GEYJ 103 V (10 k)	B	133.1/132.5
R525	7030003560	S.RES ERJ3GEYJ 103 V (10 k)	B	133.1/133.8
R526	7030003560	S.RES ERJ3GEYJ 103 V (10 k)	B	133.1/135.1
R527	7030003560	S.RES ERJ3GEYJ 103 V (10 k)	B	133.1/136.4
R528	7030003560	S.RES ERJ3GEYJ 103 V (10 k)	B	133.1/137.7
R529	7030003560	S.RES ERJ3GEYJ 103 V (10 k)	B	133.1/139
R530	7030003560	S.RES ERJ3GEYJ 103 V (10 k)	B	133.1/140.3
R550	7030003640	S.RES ERJ3GEYJ 473 V (47 k)	B	146.3/24.8
R551	7030003320	S.RES ERJ3GEYJ 101 V (100)	B	146.3/23.5
R552	7030003560	S.RES ERJ3GEYJ 103 V (10 k)	B	137.4/23.2
R553	7030003560	S.RES ERJ3GEYJ 103 V (10 k)	B	138.8/23.2
R554	7030003560	S.RES ERJ3GEYJ 103 V (10 k)	B	126.7/39.7

[LOGIC UNIT]

REF NO.	ORDER NO.	DESCRIPTION	M.	H/V LOCATION
R555	7030003560	S.RES ERJ3GEYJ 103 V (10 k)	B	126.7/41
R556	7030003560	S.RES ERJ3GEYJ 103 V (10 k)	B	126.7/34.9
R557	7030003260	S.RES ERJ3GEYJ 330 V (33)	B	136.5/47.9
R558	7030003560	S.RES ERJ3GEYJ 103 V (10 k)	B	134.2/47.9
R559	7030003560	S.RES ERJ3GEYJ 103 V (10 k)	B	143.3/47.9
R560	7030003440	S.RES ERJ3GEYJ 102 V (1 k)	B	152/26.6
R561	7030003210	S.RES ERJ3GEYJ 120 V (12)	B	152/28
R562	7030003340	S.RES ERJ3GEYJ 151 V (150)	B	156.9/29.6
R563	7030003340	S.RES ERJ3GEYJ 151 V (150)	B	155.3/29.6
R601	7030003590	S.RES ERJ3GEYJ 183 V (18 k)	B	45.7/34.6
R602	7030003590	S.RES ERJ3GEYJ 183 V (18 k)	B	50.2/37.1
R603	7030003560	S.RES ERJ3GEYJ 103 V (10 k)	B	48.2/35.7
R604	7030003640	S.RES ERJ3GEYJ 473 V (47 k)	B	50.2/34.3
R605	7030003680	S.RES ERJ3GEYJ 104 V (100 k)	B	57.6/36.8
R606	7030003680	S.RES ERJ3GEYJ 104 V (100 k)	B	58.9/36.8
R607	7030003350	S.RES ERJ3GEYJ 181 V (180)	B	102.4/29.2
R608	7030003520	S.RES ERJ3GEYJ 472 V (4.7 k)	B	104.9/31.8
R609	7030003440	S.RES ERJ3GEYJ 102 V (1 k)	T	95.6/34.7
R610	7030003440	S.RES ERJ3GEYJ 102 V (1 k)	T	95.6/37.9
R611	7030003340	S.RES ERJ3GEYJ 102 V (1 k)	T	95.6/39.3
R612	7030003440	S.RES ERJ3GEYJ 102 V (1 k)	T	95.6/42.5
R613	7030003860	S.RES ERJ3GE JPW V	T	95.6/45.1
R614	7030003440	S.RES ERJ3GEYJ 102 V (1 k)	B	88/41.7
R621	7030003800	S.RES ERJ3GEYJ 105 V (1 M)	T	99/42.5
R622	7030003200	S.RES ERJ3GEYJ 105 V (1 M)	T	99/39.9
R623	7030003800	S.RES ERJ3GEYJ 105 V (1 M)	T	99/37.3
R624	7030003800	S.RES ERJ3GEYJ 105 V (1 M)	T	99/34.7
R625	7030003800	S.RES ERJ3GEYJ 105 V (1 M)	B	85.4/41.7
R626	7030003640	S.RES ERJ3GEYJ 473 V (47 k)	B	88/43.1
R627	7030003640	S.RES ERJ3GEYJ 473 V (47 k)	B	81.9/51.4
R628	7030003640	S.RES ERJ3GEYJ 473 V (47 k)	B	81.9/50.1
R629	7030003640	S.RES ERJ3GEYJ 473 V (47 k)	B	85.9/49.9
R630	7030003520	S.RES ERJ3GEYJ 472 V (4.7 k)	B	83.3/47.5
R631	7030003520	S.RES ERJ3GEYJ 472 V (4.7 k)	T	82.1/42
R632	7030003520	S.RES ERJ3GEYJ 472 V (4.7 k)	T	82.1/45.9
R633	7030003520	S.RES ERJ3GEYJ 472 V (4.7 k)	T	82.1/43.3
R634	7030003520	S.RES ERJ3GEYJ 472 V (4.7 k)	B	81.9/48.8
R635	7030003520	S.RES ERJ3GEYJ 472 V (4.7 k)	T	82.1/44.6
R636	7030003640	S.RES ERJ3GEYJ 473 V (47 k)	B	71.9/35.7
R637	7030003640	S.RES ERJ3GEYJ 473 V (47 k)	B	78.4/34
R639	7030003640	S.RES ERJ3GEYJ 473 V (47 k)	T	113.8/34
R640	7030003640	S.RES ERJ3GEYJ 473 V (47 k)	T	112.5/34
R641	7030003640	S.RES ERJ3GEYJ 473 V (47 k)	T	111.2/34
R642	7030003640	S.RES ERJ3GEYJ 473 V (47 k)	T	109.9/34
R643	7030003600	S.RES ERJ3GEYJ 223 V (22 k)	B	69.9/55.4
R644	7030003560	S.RES ERJ3GEYJ 103 V (10 k)	B	68.5/55.4
R645	7030003520	S.RES ERJ3GEYJ 472 V (4.7 k)	T	109.3/56.3
R646	7030003720	S.RES ERJ3GEYJ 224 V (220 k)	B	116.5/56.5
R647	7030003720	S.RES ERJ3GEYJ 224 V (220 k)	B	117.5/59.1
R648	7030003720	S.RES ERJ3GEYJ 224 V (220 k)	B	118.5/56.5
R649	7030003720	S.RES ERJ3GEYJ 224 V (220 k)	B	119.5/59.1
R650	7030003720	S.RES ERJ3GEYJ 224 V (220 k)	B	120.5/56.5
R651	7030003720	S.RES ERJ3GEYJ 224 V (220 k)	B	121.5/59.1
R652	7030003720	S.RES ERJ3GEYJ 224 V (220 k)	B	122.5/56.5
R653	7030003720	S.RES ERJ3GEYJ 224 V (220 k)	B	123.4/59.1
R654	7030003520	S.RES ERJ3GEYJ 472 V (4.7 k)	B	117.5/54.2
R655	7030003520	S.RES ERJ3GEYJ 472 V (4.7 k)	B	117.5/52.7
R658	7030003640	S.RES ERJ3GEYJ 473 V (47 k)	T	99/45.1
R661	7030003640	S.RES ERJ3GEYJ 473 V (47 k)	T	70.2/27.4
R662	7030003720	S.RES ERJ3GEYJ 224 V (220 k)	B	66/30.2
R663	7030003640	S.RES ERJ3GEYJ 473 V (47 k)	B	66/27.3
R664	7030003640	S.RES ERJ3GEYJ 473 V (47 k)	B	66/26
R665	7030003640	S.RES ERJ3GEYJ 473 V (47 k)	B	66/28.6
R666	7030003640	S.RES ERJ3GEYJ 473 V (47 k)	B	71.2/18.3
R667	7030003720	S.RES ERJ3GEYJ 224 V (220 k)	B	68.5/21.3
R668	7030003640	S.RES ERJ3GEYJ 473 V (47 k)	B	67.2/21.3
R669	7030003640	S.RES ERJ3GEYJ 473 V (47 k)	B	63/33
R670	7030003640	S.RES ERJ3GEYJ 473 V (47 k)	B	72.5/18.3
R671	7030003640	S.RES ERJ3GEYJ 473 V (47 k)	B	86.5/9.2
R672	7030003640	S.RES ERJ3GEYJ 473 V (47 k)	B	83.9/10.9
R673	7030003640	S.RES ERJ3GEYJ 473 V (47 k)	B	74.6/16.3
R674	7030003640	S.RES ERJ3GEYJ 473 V (47 k)	B	77.9/12.3
R675	7030003640	S.RES ERJ3GEYJ 473 V (47 k)	B	76.5/13.8
R676	7030003640	S.RES ERJ3GEYJ 473 V (47 k)	B	79.2/12.

[LOGIC UNIT]

REF NO.	ORDER NO.	DESCRIPTION	M.	H/V LOCATION
R887	7030003320	S.RES ERJ3GEYJ 101 V (100)	T	53.8/39.7
R888	7030003320	S.RES ERJ3GEYJ 101 V (100)	T	55.1/39.7
R889	7030003320	S.RES ERJ3GEYJ 101 V (100)	T	54.5/31.5
R890	7030003320	S.RES ERJ3GEYJ 101 V (100)	T	56.4/39.7
R891	7030003320	S.RES ERJ3GEYJ 101 V (100)	T	55.8/31.5
R892	7030003320	S.RES ERJ3GEYJ 101 V (100)	T	57.7/39.7
R893	7030003320	S.RES ERJ3GEYJ 101 V (100)	T	57.1/31.5
R894	7030003320	S.RES ERJ3GEYJ 101 V (100)	T	59/39.7
R895	7030003860	S.RES ERJ3GE JPW V	T	58.4/31.5
R896	7030003860	S.RES ERJ3GE JPW V	T	60.3/39.7
R897	7030003860	S.RES ERJ3GE JPW V	T	59.7/31.5
R901	7030003200	S.RES ERJ3GEYJ 100 V (10)	T	8.7/120
R902	7030003860	S.RES ERJ3GE JPW V	B	44.2/38.3
R903	7030003360	S.RES ERJ3GEYJ 221 V (220)	T	8.7/118.7
R904	7030003360	S.RES ERJ3GEYJ 221 V (220)	B	4.2/117.9
R905	7030003360	S.RES ERJ3GEYJ 221 V (220)	T	8.7/117.4
R906	7030003360	S.RES ERJ3GEYJ 221 V (220)	B	4.2/116.6
R907	7030003440	S.RES ERJ3GEYJ 102 V (1 k)	T	8.7/116.1
R908	7030003860	S.RES ERJ3GE JPW V	T	9/114.3
R909	7030003860	S.RES ERJ3GE JPW V	T	9/113
R910	7030003860	S.RES ERJ3GE JPW V	T	9/111.7
R911	7030003860	S.RES ERJ3GE JPW V	T	9/132.9
R912	7030003860	S.RES ERJ3GE JPW V	T	9/131.6
R913	7030003860	S.RES ERJ3GE JPW V	T	9/130.3
R914	7030003860	S.RES ERJ3GE JPW V	T	9/129
R915	7030003440	S.RES ERJ3GEYJ 102 V (1 k)	B	10.3/129.9
R916	7030003440	S.RES ERJ3GEYJ 102 V (1 k)	B	4/128.1
R917	7030003440	S.RES ERJ3GEYJ 102 V (1 k)	B	7.5/132
R918	7030003440	S.RES ERJ3GEYJ 102 V (1 k)	B	4/126.8
R919	7030003440	S.RES ERJ3GEYJ 102 V (1 k)	B	9.3/125.5
R920	7030003440	S.RES ERJ3GEYJ 102 V (1 k)	B	4/125.5
R921	7030003440	S.RES ERJ3GEYJ 102 V (1 k)	B	9/129.9
R922	7030003440	S.RES ERJ3GEYJ 102 V (1 k)	B	4/124.2
R923	7030003440	S.RES ERJ3GEYJ 102 V (1 k)	T	8.6/124.9
R924	7030003440	S.RES ERJ3GEYJ 102 V (1 k)	B	4/122.9
R925	7030003440	S.RES ERJ3GEYJ 102 V (1 k)	T	8.6/122.3
R926	7030003440	S.RES ERJ3GEYJ 102 V (1 k)	B	4/121.6
R927	7030003440	S.RES ERJ3GEYJ 102 V (1 k)	B	4/129.4
R928	7030003860	S.RES ERJ3GE JPW V	T	9/110.4
R929	7030003860	S.RES ERJ3GE JPW V	T	9/109.1
R930	7030003360	S.RES ERJ3GEYJ 221 V (220)	T	8.7/106.6
R931	7030003860	S.RES ERJ3GE JPW V	T	62.6/140.9
R932	7030003860	S.RES ERJ3GE JPW V	T	64.6/140.9
R933	7030003360	S.RES ERJ3GEYJ 221 V (220)	T	8.7/104
R938	7030003520	S.RES ERJ3GEYJ 472 V (4.7 k)	T	79.3/135.4
R939	7030003520	S.RES ERJ3GEYJ 472 V (4.7 k)	T	79.4/136.8
R940	7030003560	S.RES ERJ3GEYJ 103 V (10 k)	T	78.8/140.1
R941	7030003320	S.RES ERJ3GEYJ 101 V (100)	T	80.1/141.3
R942	7030003320	S.RES ERJ3GEYJ 101 V (100)	T	83.2/140.9
R943	7030003320	S.RES ERJ3GEYJ 101 V (100)	T	84.5/140.9
R944	7030003320	S.RES ERJ3GEYJ 101 V (100)	T	85.8/140.9
R945	7030003320	S.RES ERJ3GEYJ 101 V (100)	T	87.1/140.9
R946	7030003320	S.RES ERJ3GEYJ 101 V (100)	T	88.4/140.9
R947	7030003320	S.RES ERJ3GEYJ 101 V (100)	T	89.7/140.9
R948	7030003320	S.RES ERJ3GEYJ 101 V (100)	T	91/140.9
R949	7030003200	S.RES ERJ3GEYJ 100 V (10)	T	106.2/140.9
R950	7030003200	S.RES ERJ3GEYJ 100 V (10)	T	104.9/140.9
R951	7030003200	S.RES ERJ3GEYJ 100 V (10)	T	103.6/140.9
R952	7030003200	S.RES ERJ3GEYJ 100 V (10)	T	102.3/140.9
R953	7030003200	S.RES ERJ3GEYJ 100 V (10)	T	101/140.9
R960	7030003440	S.RES ERJ3GEYJ 102 V (1 k)	T	27.8/18.6
R961	7030003440	S.RES ERJ3GEYJ 102 V (1 k)	T	31/19.4
R962	7030003440	S.RES ERJ3GEYJ 102 V (1 k)	T	33.6/19.4
R964	7030003200	S.RES ERJ3GEYJ 100 V (10)	T	177.4/16.2
R965	7030003200	S.RES ERJ3GEYJ 100 V (10)	T	177.4/17.6
R966	7030003360	S.RES ERJ3GEYJ 221 V (220)	T	180/21.2
R967	7030003360	S.RES ERJ3GEYJ 221 V (220)	T	177.3/21.9
R968	7030003360	S.RES ERJ3GEYJ 221 V (220)	T	180/22.6
R969	7030003200	S.RES ERJ3GEYJ 100 V (10)	T	180/19.8
R970	7030003440	S.RES ERJ3GEYJ 102 V (1 k)	T	29.7/19.4
R971	7030003440	S.RES ERJ3GEYJ 102 V (1 k)	T	32.3/19.4
R972	7030003440	S.RES ERJ3GEYJ 102 V (1 k)	T	34.9/19.4
R974	7030003200	S.RES ERJ3GEYJ 100 V (10)	T	180/16.9
R975	7030003200	S.RES ERJ3GEYJ 100 V (10)	T	180/18.3
R976	7030003360	S.RES ERJ3GEYJ 221 V (220)	T	177.4/20.5
R977	7030003360	S.RES ERJ3GEYJ 221 V (220)	T	177.3/23.3
R978	7030003360	S.RES ERJ3GEYJ 221 V (220)	T	183.2/126
R979	7030003360	S.RES ERJ3GEYJ 221 V (220)	T	180.6/125
R980	7030003360	S.RES ERJ3GEYJ 221 V (220)	T	183.2/124
R981	7030003360	S.RES ERJ3GEYJ 221 V (220)	T	180.7/123
R982	7030007230	S.RES ERA3YED 102V (1 k)	T	33.4/140.9
R983	7030003440	S.RES ERJ3GEYJ 102 V (1 k)	T	29/140.9
R984	7030007230	S.RES ERA3YED 102V (1 k)	T	27.7/140.9
R985	7030007230	S.RES ERA3YED 102V (1 k)	T	26.4/140.9
R986	7030007230	S.RES ERA3YED 102V (1 k)	T	25.1/140.9
R987	7030007230	S.RES ERA3YED 102V (1 k)	T	23.8/140.9
R988	7030007230	S.RES ERA3YED 102V (1 k)	T	22.5/140.9
R989	7030003360	S.RES ERJ3GEYJ 221 V (220)	T	30/8.3
R990	7030003360	S.RES ERJ3GEYJ 221 V (220)	T	31.3/8.3
R991	7030003360	S.RES ERJ3GEYJ 221 V (220)	T	32.6/8.3
R992	7030003360	S.RES ERJ3GEYJ 221 V (220)	T	33.9/8.3
R993	7030003360	S.RES ERJ3GEYJ 221 V (220)	T	35.2/8.3
R994	7030003360	S.RES ERJ3GEYJ 221 V (220)	T	36.5/8.3
R1001	7030003410	S.RES ERJ3GEYJ 561 V (560)	B	35.6/127.7
R1002	7030003540	S.RES ERJ3GEYJ 682 V (6.8 k)	B	32.8/122.7
R1003	7030003520	S.RES ERJ3GEYJ 472 V (4.7 k)	B	32.8/121.4
R1004	7030003520	S.RES ERJ3GEYJ 472 V (4.7 k)	B	30.8/122
R1005	7030003520	S.RES ERJ3GEYJ 472 V (4.7 k)	B	23.4/122.7
R1006	7030003550	S.RES ERJ3GEYJ 822 V (8.2 k)	B	26.2/122.7
R1007	7030003520	S.RES ERJ3GEYJ 472 V (4.7 k)	B	26.2/121.4
R1008	7030003520	S.RES ERJ3GEYJ 472 V (4.7 k)	B	28.2/122
R1009	7030003320	S.RES ERJ3GEYJ 101 V (100)	B	35.9/125.6
R1010	7030003320	S.RES ERJ3GEYJ 101 V (100)	B	35.8/128.4
R1011	7030003560	S.RES ERJ3GEYJ 103 V (10 k)	B	20.6/133.6

[LOGIC UNIT]

REF NO.	ORDER NO.	DESCRIPTION	M.	H/V LOCATION
R1012	7030003460	S.RES ERJ3GEYJ 152 V (1.5 k)	B	20.6/132.3
R1013	7030003500	S.RES ERJ3GEYJ 332 V (3.3 k)	B	26.2/133.6
R1014	7030003480	S.RES ERJ3GEYJ 222 V (2.2 k)	B	26.2/132.3
R1015	7030003470	S.RES ERJ3GEYJ 182 V (1.8 k)	B	23.3/130.3
R1016	7030003380	S.RES ERJ3GEYJ 331 V (330)	B	23.4/133.6
R1017	7030003360	S.RES ERJ3GEYJ 103 V (10 k)	B	35.8/133.6
R1018	7030003460	S.RES ERJ3GEYJ 152 V (1.5 k)	B	35.8/132.3
R1020	7030003540	S.RES ERJ3GEYJ 682 V (6.8 k)	B	35.8/131
R1021	7030003460	S.RES ERJ3GEYJ 152 V (1.5 k)	B	35.8/129.7
R1022	7030003380	S.RES ERJ3GEYJ 331 V (330)	B	32/133.6
R1023	7030003540	S.RES ERJ3GEYJ 682 V (6.8 k)	B	23.4/121.4
R1031	7030010900	S.RES ERJ3GEYJ 750 V (75)	T	167.2/120.8
R1032	7030003440	S.RES ERJ3GEYJ 102 V (1 k)	T	153.6/139.9
R1033	7030003320	S.RES ERJ3GEYJ 101 V (100)	T	170.9/131.9
R1034	7030003590	S.RES ERJ3GEYJ 183 V (18 k)	T	171.5/135.2
R1036	7030003320	S.RES ERJ3GEYJ 101 V (100)	T	171.5/139
R1037	7030010900	S.RES ERJ3GEYJ 750 V (75)	T	171.5/140.3
R1038	7030003240	S.RES ERJ3GEYJ 220 V (22)	T	169.4/136.3
R1101	7030003280	S.RES ERJ3GEYJ 470 V (47)	T	18.9/29.8
R1102	7030003280	S.RES ERJ3GEYJ 470 V (47)	T	16.1/30.5
R1103	7030003280	S.RES ERJ3GEYJ 470 V (47)	T	18.9/31.2
R1104	7030003280	S.RES ERJ3GEYJ 470 V (47)	T	16.1/31.9
R1105	7030003280	S.RES ERJ3GEYJ 470 V (47)	T	18.9/32.6
R1106	7030003280	S.RES ERJ3GEYJ 470 V (47)	T	16.1/33.3
R1107	7030003280	S.RES ERJ3GEYJ 470 V (47)	T	18.9/34
R1108	7030003280	S.RES ERJ3GEYJ 470 V (47)	T	16.1/34.7
R1109	7030003280	S.RES ERJ3GEYJ 470 V (47)	T	18.9/35.4
R1110	7030003280	S.RES ERJ3GEYJ 470 V (47)	T	16.1/36.1
R1111	7030003280	S.RES ERJ3GEYJ 470 V (47)	T	18.9/36.8
R1112	7030003280	S.RES ERJ3GEYJ 470 V (47)	T	16.1/37.5
R1113	7030003280	S.RES ERJ3GEYJ 470 V (47)	T	18.9/38.2
R1114	7030003280	S.RES ERJ3GEYJ 470 V (47)	T	16.1/38.9
R1115	7030003280	S.RES ERJ3GEYJ 470 V (47)	T	18.9/39.6
R1116	7030003280	S.RES ERJ3GEYJ 470 V (47)	T	16.1/40.3
R1117	7030003280	S.RES ERJ3GEYJ 470 V (47)	T	18.9/41
R1118	7030003280	S.RES ERJ3GEYJ 470 V (47)	T	16.1/41.7
R1119	7030003280	S.RES ERJ3GEYJ 470 V (47)	T	18.9/42.4
R1120	7030003280	S.RES ERJ3GEYJ 470 V (47)	T	16.1/43.1
R1121	7030003280	S.RES ERJ3GEYJ 470 V (47)	T	18.9/43.8
R1122	7030003280	S.RES ERJ3GEYJ 470 V (47)	T	16.1/44.5
R1123	7030003280	S.RES ERJ3GEYJ 470 V (47)	T	18.9/45.2
R1124	7030003280	S.RES ERJ3GEYJ 470 V (47)	T	16.1/47.2
R1125	7030003280	S.RES ERJ3GEYJ 470 V (47)	T	18.9/47.9
R1126	7030003280	S.RES ERJ3GEYJ 470 V (47)	T	16.1/48.6
R1127	7030003280	S.RES ERJ3GEYJ 470 V (47)	T	18.9/49.3
R1128	7030003280	S.RES ERJ3GEYJ 470 V (47)	T	16.1/50
R1129	7030003280	S.RES ERJ3GEYJ 470 V (47)	T	18.9/50.7
R1130	7030003280	S.RES ERJ3GEYJ 470 V (47)	T	16.1/51.4
R1131	7030003280	S.RES ERJ3GEYJ 470 V (47)	T	18.9/52.1
R1132	7030003280	S.RES ERJ3GEYJ 470 V (47)	T	16.1/52.8
R1133	7030003280	S.RES ERJ3GEYJ 470 V (47)	T	18.9/53.5
R1134	7030003280	S.RES ERJ3GEYJ 470 V (47)	T	16.1/54.2
R1135	7030003280	S.RES ERJ3GEYJ 470 V (47)	T	18.9/54.9
R1136	7030003280	S.RES ERJ3GEYJ 470 V (47)	T	16.1/55.6
R1137	7030003280	S.RES ERJ3GEYJ 470 V (47)	T	18.9/56.3
R1138	7030003280	S.RES ERJ3GEYJ 470 V (47)	T	16.1/57
R1139	7030003280	S.RES ERJ3GEYJ 470 V (47)	T	18.9/57.7
R1140	7030003280	S.RES ERJ3GEYJ 470 V (47)	T	16.1/58.4
R1141	7030003280	S.RES ERJ3GEYJ 470 V (47)	T	18.9/59.1
R1142	7030003280	S.RES ERJ3GEYJ 470 V (47)	T	16.1/59.8
R1143	7030003280	S.RES ERJ3GEYJ 470 V (47)	T	18.9/60.5
R1144	7030003280	S.RES ERJ3GEYJ 470 V (47)	T	16.1/61.2
R1145	7030003280	S.RES ERJ3GEYJ 470 V (47)	T	18.9/61.9
R1146	7030003280	S.RES ERJ3GEYJ 470 V (47)	T	16.1/62.6
R1151	7030003290	S.RES ERJ3GEYJ 560 V (56)	T	175.5/96.6
R1152	7030003320	S.RES ERJ3GEYJ 101 V (100)	T	172.2/95.9
R1153	7030003320	S.RES ERJ3GEYJ 101 V (100)	T	175.5/95.2
R1154	7030003320	S.RES ERJ3GEYJ 101 V (100)	T	172.2/94.5
R1155	7030003320	S.RES ERJ3GEYJ 101 V (100)	T	175.5/93.8
R1156	7030003320	S.RES ERJ3GEYJ 101 V (100)	T	172.2/93.1
R1157	7030003320	S.RES ERJ3GEYJ 101 V (100)	T	175.5/92.4
R1158	7030003320	S.RES ERJ3GEYJ 101 V (100)	T	172.2/91.7
R1159	7030003320	S.RES ERJ3GEYJ 101 V (100)	T	175.5/91
R1160	7030003320	S.RES ERJ3GEYJ 101 V (100)	T	172.2/90.3
R1161	7030003320	S.RES ERJ3GEYJ 101 V (100)	T	175.5/89.6
R1162	7030003320			

[LOGIC UNIT]

REF NO.	ORDER NO.	DESCRIPTION	M.	H/V LOCATION
C1	4030011600	S.CER C1608 JB 1E 104K-T	B	84.4/98.3
C2	4030011600	S.CER C1608 JB 1E 104K-T	B	82.8/98.3
C3	4030011600	S.CER C1608 JB 1E 104K-T	B	78/98.3
C4	4030011600	S.CER C1608 JB 1E 104K-T	B	74/98.3
C5	4030011600	S.CER C1608 JB 1E 104K-T	B	63.6/98.3
C6	4030011600	S.CER C1608 JB 1E 104K-T	B	81.6/115.4
C7	4030011600	S.CER C1608 JB 1E 104K-T	B	76.8/115.4
C8	4030011600	S.CER C1608 JB 1E 104K-T	T	84.4/122.5
C9	4030011600	S.CER C1608 JB 1E 104K-T	T	82.8/122.5
C10	4030011600	S.CER C1608 JB 1E 104K-T	T	78/122.5
C11	4030011600	S.CER C1608 JB 1E 104K-T	T	74/122.5
C12	4030011600	S.CER C1608 JB 1E 104K-T	T	63.6/122.5
C13	4030011600	S.CER C1608 JB 1E 104K-T	T	78.9/106.7
C14	4030011600	S.CER C1608 JB 1E 104K-T	T	74.2/106.7
C51	4030011600	S.CER C1608 JB 1E 104K-T	B	120.2/69.7
C52	4030011600	S.CER C1608 JB 1E 104K-T	B	110.7/61.1
C53	4030011600	S.CER C1608 JB 1E 104K-T	B	107.8/61.1
C54	4030011600	S.CER C1608 JB 1E 104K-T	B	121.7/66.2
C55	4030011600	S.CER C1608 JB 1E 104K-T	B	123.4/78.9
C56	4030011600	S.CER C1608 JB 1E 104K-T	B	128.7/80.9
C57	4030011600	S.CER C1608 JB 1E 104K-T	B	142.2/75.7
C58	4030011600	S.CER C1608 JB 1E 104K-T	B	142.2/73.1
C59	4030011600	S.CER C1608 JB 1E 104K-T	B	132.3/60.8
C60	4030011600	S.CER C1608 JB 1E 104K-T	B	126.2/61.1
C61	4030009990	S.CER C1608 CH 1H 200J-T	T	164/101.1
C62	4030011600	S.CER C1608 JB 1E 104K-T	T	157.9/51.8
C63	4030008890	S.CER C1608 JB 1H 273K-T	T	162.5/51.8
C64	4030011600	S.CER C1608 JB 1E 104K-T	T	164.6/53.7
C65	4030011600	S.CER C1608 JB 1E 104K-T	T	115/52
C101	4030011600	S.CER C1608 JB 1E 104K-T	T	39.1/86.9
C102	4030011600	S.CER C1608 JB 1E 104K-T	B	57.9/63.2
C103	4030011600	S.CER C1608 JB 1E 104K-T	B	61.8/93
C104	4030011600	S.CER C1608 JB 1E 104K-T	B	61.5/73.8
C105	4030011600	S.CER C1608 JB 1E 104K-T	B	64.2/86
C106	4030011600	S.CER C1608 JB 1E 104K-T	B	61.5/72.5
C107	4030011600	S.CER C1608 JB 1E 104K-T	B	66.7/72.5
C108	4030011600	S.CER C1608 JB 1E 104K-T	B	72.4/72.5
C109	4030011600	S.CER C1608 JB 1E 104K-T	B	74.3/75.8
C110	4030011600	S.CER C1608 JB 1E 104K-T	B	61.5/83
C111	4550007520	S.TAN F931A106MAABMA	B	72.4/63.8
C112	4030011600	S.CER C1608 JB 1E 104K-T	B	73.7/65.5
C113	4550007520	S.TAN F931A106MAABMA	B	78.3/63.8
C114	4030011600	S.CER C1608 JB 1E 104K-T	B	76.7/65.5
C115	4550007520	S.TAN F931A106MAABMA	B	83.5/63.8
C116	4030011600	S.CER C1608 JB 1E 104K-T	B	79.6/65.5
C117	4030011600	S.CER C1608 JB 1E 104K-T	B	61.6/86
C118	4030011600	S.CER C1608 JB 1E 104K-T	B	61.5/76.4
C119	4030011600	S.CER C1608 JB 1E 104K-T	B	61.5/84.3
C120	4030011600	S.CER C1608 JB 1E 104K-T	B	74.3/84.4
C121	4030011600	S.CER C1608 JB 1E 104K-T	B	72.5/85.2
C122	4030011600	S.CER C1608 JB 1E 104K-T	B	71.2/85.2
C123	4030006860	S.CER C1608 JB 1H 102K-T	B	72/93
C124	4030011600	S.CER C1608 JB 1E 104K-T	B	66.8/86
C125	4030011600	S.CER C1608 JB 1E 104K-T	B	69.4/86
C126	4030011600	S.CER C1608 JB 1E 104K-T	B	61.5/81.7
C127	4030011600	S.CER C1608 JB 1E 104K-T	B	57.9/65.8
C128	4030011600	S.CER C1608 JB 1E 104K-T	B	66.9/65.8
C129	4030011600	S.CER C1608 JB 1E 104K-T	B	60.8/79.8
C130	4030011600	S.CER C1608 JB 1E 104K-T	B	74.3/81.8
C131	4030011600	S.CER C1608 JB 1E 104K-T	B	81.1/83.7
C132	4030011600	S.CER C1608 JB 1E 104K-T	B	74.3/78.6
C133	4030011600	S.CER C1608 JB 1E 104K-T	B	61.8/65.9
C134	4030011600	S.CER C1608 JB 1E 104K-T	B	54/73.6
C135	4030011600	S.CER C1608 JB 1E 104K-T	B	61.5/75.1
C136	4030011600	S.CER C1608 JB 1E 104K-T	B	69.3/72.5
C137	4030011600	S.CER C1608 JB 1E 104K-T	B	64.1/72.5
C138	4030011600	S.CER C1608 JB 1E 104K-T	B	69.4/84.3
C139	4030011600	S.CER C1608 JB 1E 104K-T	B	74.3/73.2
C140	4030006900	S.CER C1608 JB 1H 103K-T	B	81.1/73.5
C141	4030011600	S.CER C1608 JB 1E 104K-T	T	79/53.6
C142	4030011600	S.CER C1608 JB 1E 104K-T	T	91.4/47
C143	4050000290	S.FED CNF10R102S-TM	T	19.4/89.2
C144	4030011600	S.CER C1608 JB 1E 104K-T	T	27.3/75.7
C145	4030007100	S.CER C1608 CH 1H 560J-T	T	24.1/73.5
C146	4030008560	S.CER C1608 CH 1H 300J-T	T	22.2/77.1
C147	4030007060	S.CER C1608 CH 1H 270J-T	T	21.6/74.8
C148	4030011600	S.CER C1608 JB 1E 104K-T	T	21.4/85.6
C149	4030011600	S.CER C1608 JB 1E 104K-T	T	23.2/90.2
C150	4030007130	S.CER C1608 CH 1H 101J-T	T	26/75.7
C151	4030007130	S.CER C1608 CH 1H 101J-T	T	20.1/85.6
C152	4030007130	S.CER C1608 CH 1H 101J-T	T	52.4/100.3
C153	4030007130	S.CER C1608 CH 1H 101J-T	T	41.7/86.9
C154	4030007130	S.CER C1608 CH 1H 101J-T	T	24.8/88.9
C155	4030007130	S.CER C1608 CH 1H 101J-T	T	93.7/56.2
C156	4030007130	S.CER C1608 CH 1H 101J-T	T	76.9/51.7
C157	4030007130	S.CER C1608 CH 1H 101J-T	T	62.2/123.8
C158	4030007130	S.CER C1608 CH 1H 101J-T	B	74.4/114.8
C159	4030007130	S.CER C1608 CH 1H 101J-T	T	104.8/118.8
C160	4030007130	S.CER C1608 CH 1H 101J-T	T	58.1/119.2
C161	4030007130	S.CER C1608 CH 1H 101J-T	B	144.2/77.5
C162	4030007130	S.CER C1608 CH 1H 101J-T	B	102.4/79.6
C163	4030007130	S.CER C1608 CH 1H 101J-T	T	110.7/49.2
C164	4030007130	S.CER C1608 CH 1H 101J-T	T	166.7/52.9
C165	4030007130	S.CER C1608 CH 1H 101J-T	T	156.7/49.7
C166	4030007130	S.CER C1608 CH 1H 101J-T	T	89.4/97.1
C167	4030007170	S.CER C1608 CH 1H 221J-T	T	17.9/92.9
		except [USA], [EUR], [UK]	T	
	4030011340	S.CER C1608 CH 1H 471J-T	T	17.9/92.9
		[USA], [EUR], [UK]	T	
C168	4030007150	S.CER C1608 CH 1H 151J-T	T	17.9/91.4
C169	4030007170	S.CER C1608 CH 1H 221J-T	T	21.4/98.8
C170	4030007150	S.CER C1608 CH 1H 151J-T	T	22.9/98.8
C171	4030007170	S.CER C1608 CH 1H 221J-T	T	29.6/91.4
C172	4030007150	S.CER C1608 CH 1H 151J-T	T	29.6/96.6

[LOGIC UNIT]

REF NO.	ORDER NO.	DESCRIPTION	M.	H/V LOCATION
C201	4030011600	S.CER C1608 JB 1E 104K-T	B	133.9/100.8
C202	4030011600	S.CER C1608 JB 1E 104K-T	B	132.4/100.8
C203	4030011600	S.CER C1608 JB 1E 104K-T	B	138.7/100.8
C204	4030011600	S.CER C1608 JB 1E 104K-T	B	142.7/100.8
C205	4030011600	S.CER C1608 JB 1E 104K-T	B	153.1/100.8
C206	4030011600	S.CER C1608 JB 1E 104K-T	B	135.5/85
C207	4030011600	S.CER C1608 JB 1E 104K-T	B	140.4/85
C208	4030011600	S.CER C1608 JB 1E 104K-T	B	132.8/118.3
C209	4030011600	S.CER C1608 JB 1E 104K-T	B	135.4/118.3
C210	4030011600	S.CER C1608 JB 1E 104K-T	B	138.9/118.3
C211	4030011600	S.CER C1608 JB 1E 104K-T	B	142/118.3
C212	4030011600	S.CER C1608 JB 1E 104K-T	B	152.1/118.3
C213	4030011600	S.CER C1608 JB 1E 104K-T	B	135.4/102.6
C214	4030011600	S.CER C1608 JB 1E 104K-T	B	140.2/102.7
C215	4030011600	S.CER C1608 JB 1E 104K-T	B	104.1/105.4
C216	4030011600	S.CER C1608 JB 1E 104K-T	B	100.3/86.6
C217	4030011600	S.CER C1608 JB 1E 104K-T	B	106.2/94.6
C218	4030011600	S.CER C1608 JB 1E 104K-T	B	106.8/87.6
C219	4030011600	S.CER C1608 JB 1E 104K-T	B	109.4/87.6
C220	4030011600	S.CER C1608 JB 1E 104K-T	B	105.5/87.6
C221	4030011600	S.CER C1608 JB 1E 104K-T	B	111.3/81.6
C222	4030011600	S.CER C1608 JB 1E 104K-T	B	109.1/104.4
C223	4030011600	S.CER C1608 JB 1E 104K-T	B	105.5/98.4
C224	4030011600	S.CER C1608 JB 1E 104K-T	B	100.3/98.7
C225	4030011600	S.CER C1608 JB 1E 104K-T	B	106.2/92
C226	4030011600	S.CER C1608 JB 1E 104K-T	B	106.2/90.7
C227	4030011600	S.CER C1608 JB 1E 104K-T	B	111.4/87.6
C228	4030011600	S.CER C1608 JB 1E 104K-T	B	106.2/89.4
C229	4030011600	S.CER C1608 JB 1E 104K-T	B	116.1/104.4
C230	4030011600	S.CER C1608 JB 1E 104K-T	B	112/98.2
C231	4030011600	S.CER C1608 JB 1E 104K-T	B	117.2/98.6
C232	4030011600	S.CER C1608 JB 1E 104K-T	B	106.2/95.6
C233	4030011600	S.CER C1608 JB 1E 104K-T	B	117.2/92.1
C234	4030011600	S.CER C1608 JB 1E 104K-T	B	114/87.6
C235	4030011600	S.CER C1608 JB 1E 104K-T	B	116.9/81.4
C236	4030011600	S.CER C1608 JB 1E 104K-T	B	117.2/97.3
C237	4030011600	S.CER C1608 JB 1E 104K-T	B	117.2/96
C238	4030011600	S.CER C1608 JB 1E 104K-T	B	117.2/94.7
C239	4030011600	S.CER C1608 JB 1E 104K-T	B	100.3/96.1
C240	4030011600	S.CER C1608 JB 1E 104K-T	B	117.2/90.8
C241	4030011600	S.CER C1608 JB 1E 104K-T	B	117.2/89.5
C242	4030011600	S.CER C1608 JB 1E 104K-T	B	117.9/87.6
C243	4030011600	S.CER C1608 JB 1E 104K-T	B	116.6/87.6
C244	4030011600	S.CER C1608 JB 1E 104K-T	B	106.2/93.3
C245	4030011600	S.CER C1608 JB 1E 104K-T	B	106.8/98.2
C246	4030011600	S.CER C1608 JB 1E 104K-T	B	117.2/93.4
C247	4030011600	S.CER C1608 JB 1E 104K-T	B	114/98.2
C248	4030011600	S.CER C1608 JB 1E 104K-T	B	115.3/87.6
C249	4030011600	S.CER C1608 JB 1E 104K-T	B	108.1/87.6
C250	4030007050	S.CER C1608 CH 1H 220J-T	T	117.8/106.3
C251	4030007050	S.CER C1608 CH 1H 220J-T	T	115.2/106.3
C252	4030006990	S.CER C1608 CH 1H 080D-T	T	114.8/79.8
C253	4030006990	S.CER C1608 CH 1H 080D-T	T	116.1/79.8
C254	4030006900	S.CER C1608 JB 1H 103K-T	T	98.4/100.4
C255	4510008520	S.ELE EEE1CA470SP	T	115.8/116.9
C256	4030006900	S.CER C1608 JB 1H 103K-T	T	97.6/82.8
C257	4510007130	S.ELE EEFCD 0J 470R	T	93.2/81.3
C258	4030011600	S.CER C1608 JB 1E 104K-T	T	99/75.1
C259	4030011600	S.CER C1608 JB 1E 104K-T	B	100.3/91.9
C260	4030011600	S.CER C1608 JB 1E 104K-T	B	122.9/139.6
C261	4030011600	S.CER C1608 JB 1E 104K-T	B	121.6/139.6
C262	4030011600	S.CER C1608 JB 1E 104K-T	B	114.4/141
C263	4030011600	S.CER C1608 JB 1E 104K-T	B	109.2/131.5
C264	4030011600	S.CER C1608 JB 1E 104K-T	B	114.4/142.3
C265	4510008540	S.ELE EEE1CA100SR	T	116.1/143.5
C266	4030011600	S.CER C1608 JB 1E 104K-T	T	111.3/143.6
C267	4030007100	S.CER C1608 CH 1H 560J-T	B	119.8/143.9
C268	4030007100	S.CER C1608 CH 1H 560J-T	B	119.8/150.3
C269	4030007100	S.CER C1608 CH 1H 560J-T	B	113/147.6
C270	4030007050	S.CER C1608 CH 1H 220J-T	B	121.8/143.2
C271	4030007050	S.CER C1608 CH 1H 220J-T	B	121.8/149.6
C272	4030007050	S.CER C1608 CH 1H 220J-T	B	113.4/152.3

[LOGIC UNIT]

REF NO.	ORDER NO.	DESCRIPTION	M.	H/V LOCATION
C313	4030007130	S.CER C1608 CH 1H 101J-T	B	173.8/105.7
C314	4030007130	S.CER C1608 CH 1H 101J-T	B	80.5/128.7
C315	4030007130	S.CER C1608 CH 1H 101J-T	B	80.5/126.1
C316	4030007130	S.CER C1608 CH 1H 101J-T	B	85.8/136.7
C317	4030011600	S.CER C1608 JB 1E 104K-T	B	107.6/124.1
C380	4030007120	S.CER C1608 CH 1H 820J-T	T	109.6/123.1
C381	4030007120	S.CER C1608 CH 1H 820J-T	B	102/116.4
C401	4030011600	S.CER C1608 JB 1E 104K-T	B	42.9/76.5
C402	4030011600	S.CER C1608 JB 1E 104K-T	B	37/76.5
C403	4030011600	S.CER C1608 JB 1E 104K-T	B	25.8/67.6
C404	4030011600	S.CER C1608 JB 1E 104K-T	B	25.8/60.4
C405	4030011600	S.CER C1608 JB 1E 104K-T	B	34.9/50.6
C406	4030011600	S.CER C1608 JB 1E 104K-T	B	40.1/50.6
C407	4030011600	S.CER C1608 JB 1E 104K-T	B	44.4/50.6
C408	4030011600	S.CER C1608 JB 1E 104K-T	B	53.2/57.3
C409	4030011600	S.CER C1608 JB 1E 104K-T	B	53.4/62.5
C410	4030011600	S.CER C1608 JB 1E 104K-T	B	53.4/66
C411	4030011600	S.CER C1608 JB 1E 104K-T	B	55.6/51.2
C412	4030006860	S.CER C1608 JB 1H 102K-T	T	44/59.7
C413	4030006900	S.CER C1608 JB 1H 103K-T	T	41.4/59.7
C414	4030007150	S.CER C1608 CH 1H 151J-T	T	42.7/59.7
C415	4030011600	S.CER C1608 JB 1E 104K-T	B	29.9/45.5
C416	4510008540	S.ELE EEE1CA100SR	T	40.6/45.8
C417	4030011600	S.CER C1608 JB 1E 104K-T	B	29.8/47.6
C418	4510008540	S.ELE EEE1CA100SR	T	35.4/51.7
C419	4030006900	S.CER C1608 JB 1H 103K-T	T	39.7/75.5
C420	4030007150	S.CER C1608 CH 1H 151J-T	T	39.7/74.2
C421	4550007520	S.TAN F931A106MAABMA	B	34.4/41.8
C422	4030011600	S.CER C1608 JB 1E 104K-T	T	37/77.3
C423	4030011600	S.CER C1608 JB 1E 104K-T	B	50/100.1
C424	4030011600	S.CER C1608 JB 1E 104K-T	B	53.3/96.3
C425	4030011600	S.CER C1608 JB 1E 104K-T	B	49.3/86.4
C426	4030011600	S.CER C1608 JB 1E 104K-T	B	49.5/82.7
C427	4030011600	S.CER C1608 JB 1E 104K-T	B	41.5/77.8
C428	4030011600	S.CER C1608 JB 1E 104K-T	B	35.5/77.8
C429	4030011600	S.CER C1608 JB 1E 104K-T	B	32.9/77.8
C430	4030011600	S.CER C1608 JB 1E 104K-T	B	23.5/99.4
C431	4030011600	S.CER C1608 JB 1E 104K-T	B	27/87.4
C432	4030011600	S.CER C1608 JB 1E 104K-T	B	27/94
C433	4030011600	S.CER C1608 JB 1E 104K-T	B	27/97.2
C434	4030011600	S.CER C1608 JB 1E 104K-T	B	31.9/105.2
C435	4030011600	S.CER C1608 JB 1E 104K-T	B	35.5/105.2
C436	4030011600	S.CER C1608 JB 1E 104K-T	B	40.4/105.2
C437	4030011600	S.CER C1608 JB 1E 104K-T	T	32.4/108.5
C438	4030011600	S.CER C1608 JB 1E 104K-T	T	22.4/105.7
C439	4030011600	S.CER C1608 JB 1E 104K-T	T	27.5/122.5
C440	4030019220	S.CER C4532X7R3D222KT	T	19.8/126.2
C441	4030007130	S.CER C1608 CH 1H 101J-T	T	46.1/104.6
C442	4030011600	S.CER C1608 JB 1E 104K-T	T	46.1/105.9
C443	4030011600	S.CER C1608 JB 1E 104K-T	B	41.9/47.3
C444	4030007130	S.CER C1608 CH 1H 101J-T	B	24.5/60.4
C445	4030007130	S.CER C1608 CH 1H 101J-T	B	29.9/44.2
C446	4030007130	S.CER C1608 CH 1H 101J-T	B	31.1/47.6
C447	4030007130	S.CER C1608 CH 1H 101J-T	T	37/76
C448	4030007130	S.CER C1608 CH 1H 101J-T	B	26.5/80
C449	4030007130	S.CER C1608 CH 1H 101J-T	T	33.7/108.5
C450	4030007130	S.CER C1608 CH 1H 101J-T	T	23.7/105.7
C451	4030007130	S.CER C1608 CH 1H 101J-T	T	26.2/122.5
C452	4030011340	S.CER C1608 CH 1H 471J-T	T	38.7/58.7
C453	4030011600	S.CER C1608 JB 1E 104K-T	T	38.7/60
C501	4510008540	S.ELE EEE1CA100SR	T	150.1/128
C502	4030011600	S.CER C1608 JB 1E 104K-T	T	146.3/129.3
C503	4030011600	S.CER C1608 JB 1E 104K-T	T	146.3/131.9
C504	4030011600	S.CER C1608 JB 1E 104K-T	T	146.3/143.1
C505	4030011600	S.CER C1608 JB 1E 104K-T	T	137.2/146.2
C506	4030011600	S.CER C1608 JB 1E 104K-T	T	132.7/146.2
C507	4030011600	S.CER C1608 JB 1E 104K-T	T	126.3/143.1
C508	4030011600	S.CER C1608 JB 1E 104K-T	T	126.3/137.7
C509	4030011600	S.CER C1608 JB 1E 104K-T	T	126.3/134.6
C510	4030011600	S.CER C1608 JB 1E 104K-T	T	126.3/129
C511	4030011600	S.CER C1608 JB 1E 104K-T	T	131.8/123.9
C512	4030011600	S.CER C1608 JB 1E 104K-T	T	141/123.9
C513	4510008540	S.ELE EEE1CA100SR	T	150.4/134.5
C514	4030011600	S.CER C1608 JB 1E 104K-T	T	146.3/134.7
C515	4030011600	S.CER C1608 JB 1E 104K-T	T	146.3/137.3
C516	4030011600	S.CER C1608 JB 1E 104K-T	T	146.9/140.3
C517	4030008920	S.CER C1608 JB 1H 473K-T	B	140.2/132.7
C518	4030008920	S.CER C1608 JB 1H 473K-T	B	140.2/134
C519	4030008920	S.CER C1608 JB 1H 473K-T	B	140.2/136.6
C520	4030008920	S.CER C1608 JB 1H 473K-T	B	140.2/137.9
C521	4030008920	S.CER C1608 JB 1H 473K-T	B	140.2/139.2
C522	4030008920	S.CER C1608 JB 1H 473K-T	T	149/139.5
C523	4030008920	S.CER C1608 JB 1H 473K-T	B	137.4/135.3
C524	4030008920	S.CER C1608 JB 1H 473K-T	B	137.4/140.5
C525	4030007130	S.CER C1608 CH 1H 101J-T	T	147.6/137.3
C526	4030007130	S.CER C1608 CH 1H 101J-T	T	132.7/147.5
C550	4030006880	S.CER C1608 JB 1H 472K-T	B	147/211
C551	4030011600	S.CER C1608 JB 1E 104K-T	B	126.7/33.3
C552	4030011600	S.CER C1608 JB 1E 104K-T	B	128.7/37.5
C553	4030011600	S.CER C1608 JB 1E 104K-T	B	141.2/47.9
C554	4030011600	S.CER C1608 JB 1E 104K-T	B	140.9/23.5
C555	4510008540	S.ELE EEE1CA100SR	T	139.5/33.5
C556	4030011600	S.CER C1608 JB 1E 104K-T	B	152.7/31.7
C557	4030011600	S.CER C1608 JB 1E 104K-T	B	151.4/31.7
C558	4030011600	S.CER C1608 JB 1E 104K-T	B	143/23.2
C559	4030011600	S.CER C1608 JB 1E 104K-T	B	144.3/23.2
C560	4510008540	S.ELE EEE1CA100SR	T	144.3/32.4
C561	4030010240	S.CER C1608 JB 1H 391K-T	B	158.3/29.6
C562	4030007140	S.CER C1608 CH 1H 121J-T	B	155.3/34
C563	4030010040	S.CER C1608 JB 1H 561K-T	B	157.7/36.8
C564	4030007130	S.CER C1608 CH 1H 101J-T	B	140.9/24.8
C565	4030007130	S.CER C1608 CH 1H 101J-T	B	154/31.7
C601	4030011600	S.CER C1608 JB 1E 104K-T	B	54.8/34.2
C602	4030007130	S.CER C1608 CH 1H 101J-T	B	54.8/32.9

[LOGIC UNIT]

REF NO.	ORDER NO.	DESCRIPTION	M.	H/V LOCATION
C603	4030011600	S.CER C1608 JB 1E 104K-T	B	94.3/59.7
C604	4030011600	S.CER C1608 JB 1E 104K-T	B	115.1/51.8
C605	4030011600	S.CER C1608 JB 1E 104K-T	B	115.2/36.2
C606	4030011600	S.CER C1608 JB 1E 104K-T	B	99.1/32.6
C607	4030011600	S.CER C1608 JB 1E 104K-T	B	96.5/32.6
C608	4550007520	S.TAN F931A106MAABMA	T	91.1/34.1
C609	4550007520	S.TAN F931A106MAABMA	T	93.3/34.1
C610	4030006900	S.CER C1608 JB 1H 103K-T	B	87.6/37.7
C611	4030006900	S.CER C1608 JB 1H 103K-T	B	85/38.5
C612	4030007010	S.CER C1608 CH 1H 100D-T	T	95.6/31.9
C613	4030007010	S.CER C1608 CH 1H 100D-T	T	98.2/31.9
C614	4030011600	S.CER C1608 JB 1E 104K-T	B	100.9/29.2
C615	4030007130	S.CER C1608 CH 1H 101J-T	B	47.2/31.5
C616	4030011600	S.CER C1608 JB 1E 104K-T	B	47.2/30.2
C617	4030007130	S.CER C1608 CH 1H 101J-T	B	120.1/54.2
C618	4030007130	S.CER C1608 CH 1H 101J-T	B	88.9/37.7
C619	4030006880	S.CER C1608 JB 1H 472K-T	T	95.6/43.8
C620	4030006880	S.CER C1608 JB 1H 472K-T	T	95.6/41.2
C621	4030006880	S.CER C1608 JB 1H 472K-T	T	95.6/38.6
C622	4030006880	S.CER C1608 JB 1H 472K-T	T	95.6/36
C623	4030006880	S.CER C1608 JB 1H 472K-T	T	95.6/46.4
C624	4030006880	S.CER C1608 JB 1H 472K-T	B	88/40.4
C625	4030007130	S.CER C1608 CH 1H 101J-T	B	86.3/38.5
C626	4030011600	S.CER C1608 JB 1E 104K-T	B	75.1/35.3
C627	4030011600	S.CER C1608 JB 1E 104K-T	B	78.4/35.3
C628	4030011600	S.CER C1608 JB 1E 104K-T	B	81.3/44.1
C629	4030011600	S.CER C1608 JB 1E 104K-T	B	68.5/52.5
C630	4030011600	S.CER C1608 JB 1E 104K-T	B	165.6/66.7
C631	4030011600	S.CER C1608 JB 1E 104K-T	B	163.6/63.1
C632	4030011600	S.CER C1608 JB 1E 104K-T	B	148.1/79.9
C633	4030011600	S.CER C1608 JB 1E 104K-T	B	152.9/81.7
C634	4030011600	S.CER C1608 JB 1E 104K-T	B	167.4/77.2
C635	4030011600	S.CER C1608 JB 1E 104K-T	B	145.8/73.5
C636	4030011600	S.CER C1608 JB 1E 104K-T	B	145.8/67.1
C637	4510008540	S.ELE EEE1CA100SR	T	116.5/47.3
C638	4030011600	S.CER C1608 JB 1E 104K-T	T	21.2/132.3
C639	4030011600	S.CER C1608 JB 1E 104K-T	T	21.2/135.4
C640	4030007130	S.CER C1608 CH 1H 101J-T	B	73.2/34.5
C641	4030007130	S.CER C1608 CH 1H 101J-T	B	80.3/37.2
C642	4030007130	S.CER C1608 CH 1H 101J-T	B	80/44.1
C643	4030007130	S.CER C1608 CH 1H 101J-T	B	69.8/51.5
C644	4030007130	S.CER C1608 CH 1H 101J-T	B	145.8/69.8
C645	4030007130	S.CER C1608 CH 1H 101J-T	T	22.5/132.9
C801	4510008540	S.ELE EEE1CA100SR	T	183/147.2
C802	4030011600	S.CER C1608 JB 1E 104K-T	B	169.5/148.9
C803	4030011600	S.CER C1608 JB 1E 104K-T	B	169.5/151.8
C804	4510008540	S.ELE EEE1CA100SR	T	183/152
C805	4510008540	S.ELE EEE1CA100SR	T	191.5/142.4
C806	4030011600	S.CER C1608 JB 1E 104K-T	B	191.9/131.1
C807	4030011600	S.CER C1608 JB 1E 104K-T	B	189/131.1
C808	4510008540	S.ELE EEE1CA100SR	T	186.7/142.4
C809	4510008540	S.ELE EEE1CA100SR	T	22.8/8.3
C810	4030011600	S.CER C1608 JB 1E 104K-T	B	30.6/6.6
C811	4030011600	S.CER C1608 JB 1E 104K-T	B	30.6/3.7
C812	4510008540	S.ELE EEE1CA100SR	T	22.8/3.5
C813	4510008540	S.ELE EEE1CA100SR	T	181.3/88.6
C814	4030011600	S.CER C1608 JB 1E 104K-T	B	176.6/36.7
C815	4030011600	S.CER C1608 JB 1E 104K-T	B	176.6/39.6
C816	4510008520	S.ELE EEE1CA470SP	T	175.2/39.8
C817	4550007520	S.TAN F931A106MAABMA	B	9.7/18.1
C818	4030011600	S.CER C1608 JB 1E 104K-T	B	11.6/19.1
C819	4030011600	S.CER C1608 JB 1E 104K-T	B	17.2/20.5
C820	4550007210	S.TAN F930G476MBABMA	B	20.1/22.3
C823	4030006860	S.CER C1608 JB 1H 102K-T	B	182.3/51.5
C824	4030007130	S.CER C1608 CH 1H 101J-T	B	186.2/51.5
C825	4030006860	S.CER C1608 JB 1H 102K-T	B	182.4/55.2
C826	4030007130	S.CER C1608 CH 1H 101J-T	B	186.2/55.3
C827	4030018960	S.CER C3216 JB 1C 106MT-N	T	44.1/144.5
C828	4030011600	S.CER C1608 JB 1E 104K-T	B	44.1/145.9
C829	4030011600	S.CER C1608 JB 1E 104K-T	B	44.1/148.7
C830	4030018960	S.CER C3216 JB 1C 106MT-N	T	44.1/149.5
C847	4510008520	S.ELE EEE1CA470SP	T	187.1/71

[LOGIC UNIT]

REF NO.	ORDER NO.	DESCRIPTION	M.	H/V LOCATION
C893	4030007050	S.CER C1608 CH 1H 220J-T	T	57.7/28.7
C894	4030007050	S.CER C1608 CH 1H 220J-T	T	59/42.5
C895	4030006860	S.CER C1608 JB 1H 102K-T	T	59/28.7
C896	4030007050	S.CER C1608 CH 1H 220J-T	T	60.3/42.5
C897	4030007050	S.CER C1608 CH 1H 220J-T	T	60.3/28.7
C911	4030006900	S.CER C1608 JB 1H 103K-T	B	10.3/132.5
C912	4030006900	S.CER C1608 JB 1H 103K-T	B	6.6/128.1
C913	4030006900	S.CER C1608 JB 1H 103K-T	B	5.5/132.8
C914	4030006900	S.CER C1608 JB 1H 103K-T	B	6.6/126.8
C915	4030006900	S.CER C1608 JB 1H 103K-T	B	9.3/122.8
C916	4030006900	S.CER C1608 JB 1H 103K-T	B	6.6/125.5
C917	4030006900	S.CER C1608 JB 1H 103K-T	B	9/132.5
C918	4030006900	S.CER C1608 JB 1H 103K-T	B	6.6/124.2
C919	4030006900	S.CER C1608 JB 1H 103K-T	T	10/126.2
C920	4030006900	S.CER C1608 JB 1H 103K-T	B	6.6/122.9
C921	4030006900	S.CER C1608 JB 1H 103K-T	T	8.6/123.6
C922	4030006900	S.CER C1608 JB 1H 103K-T	B	6.6/121.6
C923	4030006900	S.CER C1608 JB 1H 103K-T	B	6.6/129.4
C924	4030006860	S.CER C1608 JB 1H 102K-T	T	11.3/142.7
C925	4030007130	S.CER C1608 CH 1H 101J-T	T	10/142.7
C926	4030006860	S.CER C1608 JB 1H 102K-T	B	10.7/135.6
C927	4030007130	S.CER C1608 CH 1H 101J-T	B	13.9/135.5
C928	4030006860	S.CER C1608 JB 1H 102K-T	B	12/133
C929	4030007130	S.CER C1608 CH 1H 101J-T	B	13.9/134.2
C930	4030006860	S.CER C1608 JB 1H 102K-T	B	7/137.5
C931	4030006860	S.CER C1608 JB 1H 102K-T	T	64.6/138.2
C932	4030006860	S.CER C1608 JB 1H 102K-T	T	62.6/138.2
C933	4030006860	S.CER C1608 JB 1H 102K-T	T	59.6/137
C934	4030006860	S.CER C1608 JB 1H 102K-T	T	55.8/138.4
C935	4030006860	S.CER C1608 JB 1H 102K-T	T	51/151.5
C936	4030006860	S.CER C1608 JB 1H 102K-T	T	52.6/138.5
C937	4030007130	S.CER C1608 CH 1H 101J-T	B	7/138.8
C938	4030006860	S.CER C1608 JB 1H 102K-T	B	7/136.1
C939	4030007130	S.CER C1608 CH 1H 101J-T	B	7/134.7
C940	4030006860	S.CER C1608 JB 1H 102K-T	B	4/110.6
C941	4030006900	S.CER C1608 JB 1H 103K-T	T	73.6/138.1
C942	4030006900	S.CER C1608 JB 1H 103K-T	T	74.9/137.1
C943	4030006900	S.CER C1608 JB 1H 103K-T	T	76.2/137.1
C944	4030006900	S.CER C1608 JB 1H 103K-T	T	77.5/137.1
C945	4030006900	S.CER C1608 JB 1H 103K-T	T	80.1/138.7
C946	4030006900	S.CER C1608 JB 1H 103K-T	T	81.5/136.2
C947	4030007050	S.CER C1608 CH 1H 220J-T	T	83.2/137.7
C948	4030007050	S.CER C1608 CH 1H 220J-T	T	84.5/137.7
C949	4030007050	S.CER C1608 CH 1H 220J-T	T	85.8/137.6
C950	4030007050	S.CER C1608 CH 1H 220J-T	T	87.1/137.6
C951	4030007050	S.CER C1608 CH 1H 220J-T	T	88.4/137.6
C952	4030007050	S.CER C1608 CH 1H 220J-T	T	89.7/137.6
C953	4030007050	S.CER C1608 CH 1H 220J-T	T	91/137.6
C954	4030006880	S.CER C1608 JB 1H 472K-T	T	96.1/137.9
C955	4030006880	S.CER C1608 JB 1H 472K-T	T	98.7/137.9
C956	4030006880	S.CER C1608 JB 1H 472K-T	T	101/137.6
C957	4030006880	S.CER C1608 JB 1H 472K-T	T	102.3/137.6
C958	4030007130	S.CER C1608 CH 1H 101J-T	B	4/109.3
C959	4030006860	S.CER C1608 JB 1H 102K-T	B	8.5/101.3
C960	4030006860	S.CER C1608 JB 1H 102K-T	T	27.8/20.1
C961	4030006880	S.CER C1608 JB 1H 472K-T	T	173.4/12.8
C962	4030006880	S.CER C1608 JB 1H 472K-T	T	173.4/15.5
C963	4030006880	S.CER C1608 JB 1H 472K-T	T	173.4/18.1
C964	4030007050	S.CER C1608 CH 1H 220J-T	T	173.4/22
C965	4030007050	S.CER C1608 CH 1H 220J-T	T	173.4/23.3
C966	4030007050	S.CER C1608 CH 1H 220J-T	T	173.4/24.6
C967	4030006880	S.CER C1608 JB 1H 472K-T	T	173.4/29.8
C968	4030006880	S.CER C1608 JB 1H 472K-T	T	173.4/31.5
C969	4030006880	S.CER C1608 JB 1H 472K-T	T	173.4/28.2
C970	4030007050	S.CER C1608 CH 1H 220J-T	T	173.4/25.9
C971	4030007050	S.CER C1608 CH 1H 220J-T	T	173.4/20.7
C972	4030006880	S.CER C1608 JB 1H 472K-T	T	173.4/19.4
C973	4030006880	S.CER C1608 JB 1H 472K-T	T	173.4/16.8
C974	4030006880	S.CER C1608 JB 1H 472K-T	T	173.4/14.2
C975	4030007130	S.CER C1608 CH 1H 101J-T	B	8.5/102.6
C976	4030011340	S.CER C1608 CH 1H 471J-T	T	176.9/127.1
C977	4030011340	S.CER C1608 CH 1H 471J-T	T	176.9/128.4
C978	4030011340	S.CER C1608 CH 1H 471J-T	T	176.9/129.7
C979	4030006880	S.CER C1608 JB 1H 472K-T	T	176.9/131
C980	4030006880	S.CER C1608 JB 1H 472K-T	T	176.9/133
C981	4030006880	S.CER C1608 JB 1H 472K-T	T	176.9/135.6
C982	4030011340	S.CER C1608 CH 1H 471J-T	T	27.7/138.1
C983	4030011340	S.CER C1608 CH 1H 471J-T	T	29/138.1
C984	4030006880	S.CER C1608 JB 1H 472K-T	T	31.2/136.3
C985	4030006880	S.CER C1608 JB 1H 472K-T	T	34.7/137
C986	4030006880	S.CER C1608 JB 1H 472K-T	T	36/137
C987	4030006880	S.CER C1608 JB 1H 472K-T	T	38.2/137.6
C991	4030006880	S.CER C1608 JB 1H 472K-T	T	37/10.3
C992	4030006880	S.CER C1608 JB 1H 472K-T	T	41.4/8.9
C1001	4510008540	S.ELE EEE1CA100SR	T	40.7/122.6
C1002	4510008560	S.ELE EEE1HAR47SR	T	16.1/139.4
C1004	4030011600	S.CER C1608 JB 1E 104K-T	B	29.5/122.7
C1005	4510008540	S.ELE EEE1CA100SR	T	31.1/129.3
C1006	4030011600	S.CER C1608 JB 1E 104K-T	B	29.5/133
C1007	4510008540	S.ELE EEE1CA100SR	T	25.6/130.6
C1011	4510008540	S.ELE EEE1CA100SR	T	40.7/127.4
C1012	4030009490	S.CER C1608 JB 1H 821K-T	B	23.4/132.3
C1013	4030009490	S.CER C1608 JB 1H 821K-T	B	28.2/133
C1014	4510008540	S.ELE EEE1CA100SR	T	40.7/132.2
C1015	4030010760	S.CER C1608 CH 1H 331J-T	B	32/132.3
C1016	4030008470	S.CER C1608 JB 1H 272K-T	B	33.9/133
C1031	4510008500	S.ELE EEE1CA101WP	T	163.7/125
C1032	4510008500	S.ELE EEE1CA101WP	T	156.3/134.6
C1033	4030011600	S.CER C1608 JB 1E 104K-T	T	169.6/131.9
C1034	4510008500	S.ELE EEE1CA101WP	T	171.9/126
C1035	4030018910	S.CER C1608 JB 0J 475K-T	T	172.2/131.9
C1036	4510008500	S.ELE EEE1CA101WP	T	164.5/137.6
C1037	4550007410	S.TAN F931A157MNBMA	T	172.7/146.1
C1051	4510008510	S.ELE EEE1CA471P	T	78/20

[LOGIC UNIT]

REF NO.	ORDER NO.	DESCRIPTION	M.	H/V LOCATION
C1052	4510008510	S.ELE EEE1CA471P	T	27.8/28.3
C1053	4510008510	S.ELE EEE1CA471P	T	5.7/19.3
C1054	4510008510	S.ELE EEE1CA471P	T	16.5/19.3
C1055	4510008510	S.ELE EEE1CA471P	T	54/20
C1056	4030006900	S.CER C1608 JB 1H 103K-T	T	40.6/24.4
C1057	4030011600	S.CER C1608 JB 1E 104K-T	T	3.1/10.6
C1058	4030011600	S.CER C1608 JB 1E 104K-T	T	35.2/27.4
C1059	4030011600	S.CER C1608 JB 1E 104K-T	T	65/21.7
C1060	4030011600	S.CER C1608 JB 1E 104K-T	T	15.9/10.8
C1061	4030011600	S.CER C1608 JB 1E 104K-T	T	53.3/12.3
C1062	4030017490	S.CER C1608 JB 1A 105K-T	T	4.4/10.6
C1063	4030017490	S.CER C1608 JB 1A 105K-T	T	33.9/27.4
C1064	4030017490	S.CER C1608 JB 1A 105K-T	T	66.3/21.7
C1065	4030017490	S.CER C1608 JB 1A 105K-T	T	17.2/10.8
C1066	4030017490	S.CER C1608 JB 1A 105K-T	T	53.3/11
C1162	4030006860	S.CER C1608 JB 1H 102K-T	T	32.3/11
C1164	4030006860	S.CER C1608 JB 1H 102K-T	T	35.4/21.2
C1165	4030006860	S.CER C1608 JB 1H 102K-T	T	37.3/22.4
C1401	4030007170	S.CER C1608 CH 1H 221J-T	T	121.1/24.6
C1402	4030007170	S.CER C1608 CH 1H 221J-T	T	122.5/24.6
C1403	4030007170	S.CER C1608 CH 1H 221J-T	T	123.9/24.6
C1404	4030007170	S.CER C1608 CH 1H 221J-T	T	125.3/24.6
C1405	4030007170	S.CER C1608 CH 1H 221J-T	T	126.7/24.6
C1406	4030007170	S.CER C1608 CH 1H 221J-T	T	128.1/24.6
C1407	4030007170	S.CER C1608 CH 1H 221J-T	T	129.5/24.6
C1408	4030007170	S.CER C1608 CH 1H 221J-T	T	130.9/24.6
C1409	4030007170	S.CER C1608 CH 1H 221J-T	T	132.3/24.6
C1410	4030007170	S.CER C1608 CH 1H 221J-T	T	133.7/24.6
C1411	4030007170	S.CER C1608 CH 1H 221J-T	T	135.1/24.6
J1	6510022490	S.CNR AXK5S30045P	T	54.7/113
J2	6510019870	S.CNR AXK5S40045P	T	99.7/113
J52	6510023261	S.CNR B6B-PH-SM4-TB (LF) (SN)	T	161.7/94.7
J102	6510019981	S.CNR 52808-1671 (1690)	T	87.2/55
J604	6510019971	S.CNR 52808-1071	T	87.2/38
J801	6510003441	CNR B08B-EH-S (LF) (SN)		
J802	6510003461	CNR B10B-EH-S (LF) (SN)		
J803	6510020251	S.CNR B9B-PH-SM4-TB (LF) (SN)	T	14/113.8
J805	6510020081	S.CNR 52808-2071 (2090)	T	188/53.7
J806	6510022471	S.CNR 40FLT-SM2-TB (LF) (SN)	T	188/85.9
J811	6510021721	S.CNR 30FLT-SM2-TB (LF) (SN)	T	5.1/112
J812	6510021721	S.CNR 30FLT-SM2-TB (LF) (SN)	T	5.1/130.6
J813	6510024151	S.CNR 50FY-BMT-TB (LF) (SN)	T	5.3/46.2
J814	6510019981	S.CNR 52808-1671 (1690)	T	58.1/146.5
J815	6510021721	S.CNR 30FLT-SM2-TB (LF) (SN)	T	51.9/35.6
J816	6510024521	S.CNR 12FLT-SM2-TB (LF) (SN)	T	5.8/66
J817	6510020081	S.CNR 52808-2071 (2090)	T	81.5/146.5
J818	6510019971	S.CNR 52808-1071	T	101.5/146.5
J819	6510021721	S.CNR 30FLT-SM2-TB (LF) (SN)	T	188/21.1
J820	6510019981	S.CNR 52808-1671 (1690)	T	188/129.5
J821	6510019981	S.CNR 52808-1671 (1690)	T	30.8/146.5
J822	6510020251	S.CNR 52808-1271 (1290)	T	35.6/4.2
J851	6510018961	S.CNR B2B-PH-SM4-TB (LF) (SN)	T	153.7/146.5
J852	6510018961	S.CNR B2B-PH-SM4-TB (LF) (SN)	T	165.1/146.5
J853	6510019981	S.CNR 52808-1671 (1690)	T	33.6/115.2
J900	6510021721	S.CNR 30FLT-SM2-TB (LF) (SN)	T	128.4/31.5
DS401	5040002930	S.LED SML-512MW T86	T	40.5/104.6
DS402	5040002930	S.LED SML-512MW T86	T	40.5/103.3
DS403	5040002930	S.LED SML-512MW T86	T	40.5/102
S51	2260001890	S.SW SKQDPA	T	170.5/56.7
T401	5920000841	S.TSM H1102NL	T	27/115.4
EP2	6910015970	S.BEA MMZ1608B 301CT-AS	T	58.1/120.5
EP3	6910015970	S.BEA MMZ1608B 301CT-AS	T	108.9/117
EP4	6910015970	S.BEA MMZ1608B 301CT-AS	B	72.4/115.3
EP5	6910015970	S.BEA MMZ1608B 301CT-AS	T	61.5/121.7
EP51	6910015970	S.BEA MMZ1608B 301CT-AS	B	102.4/81.2
EP52	6910015970	S.BEA MMZ1608B 301CT-AS	B	142.2/78.3
EP53	6910015970	S.BEA MMZ1608B 301CT-AS	T	155.3/51.8
EP54	6910015970	S.BEA MMZ1608B 301CT-AS	T	164.6/55
EP55	6910015970	S.BEA MMZ1608B 301CT-AS	T	117.2/52.7
EP104	6910015970	S.BEA MMZ1608B 301CT-AS	T	36.5/86.9
EP105	6910015970	S.BEA MMZ1608B 301CT-AS	T	79.5/51.7
EP106	6910015970	S.BEA MMZ1608B 301CT-AS	T	26.4/72.7
EP107	6910015970	S.BEA MMZ1608B 301CT-AS	T	20.9/87.5

[LOGIC UNIT]

REF NO.	ORDER NO.	DESCRIPTION	M.	H/V LOCATION
EP401	6910013310	S.BEA MMZ1608D121B	T	34.1/94.6
EP402	6910013310	S.BEA MMZ1608D121B	T	32/90.6
EP403	6910013310	S.BEA MMZ1608D121B	T	34.1/97.5
EP404	6910015970	S.BEA MMZ1608B 301CT-AS	B	23.2/61.9
EP405	6910012350	S.BEA MMZ1608Y 102BT	T	36.8/59.4
EP411	6910014730	S.BEA MPZ2012S331A-T	T	40.1/41
EP412	6910014730	S.BEA MPZ2012S331A-T	T	36.4/47.8
EP421	6910015970	S.BEA MMZ1608B 301CT-AS	B	23.9/78.8
EP422	6910015970	S.BEA MMZ1608B 301CT-AS	T	35.5/81.3
EP423	6910015970	S.BEA MMZ1608B 301CT-AS	T	46.1/102
EP431	6910015970	S.BEA MMZ1608B 301CT-AS	T	34.4/114.1
EP501	6910015970	S.BEA MMZ1608B 301CT-AS	T	151.4/138
EP502	6910015970	S.BEA MMZ1608B 301CT-AS	T	146.3/126.5
EP503	6910015970	S.BEA MMZ1608B 301CT-AS	T	138.5/30
EP504	6910015970	S.BEA MMZ1608B 301CT-AS	B	153.5/37.9
EP601	6910015970	S.BEA MMZ1608B 301CT-AS	B	58.3/34.9
EP602	6910015970	S.BEA MMZ1608B 301CT-AS	B	119.3/51.9
EP603	6910015970	S.BEA MMZ1608B 301CT-AS	B	86.8/35.8
EP604	6910015970	S.BEA MMZ1608B 301CT-AS	B	82.9/37.7
EP605	6910015970	S.BEA MMZ1608B 301CT-AS	B	75.5/34
EP606	6910015970	S.BEA MMZ1608B 301CT-AS	B	81/35.3
EP607	6910015970	S.BEA MMZ1608B 301CT-AS	B	80.7/42.2
EP608	6910015970	S.BEA MMZ1608B 301CT-AS	B	70.4/53.3
EP609	6910015970	S.BEA MMZ1608B 301CT-AS	B	45.7/33.5
EP621	6910015970	S.BEA MMZ1608B 301CT-AS	T	21.2/129.5
EP631	6910015970	S.BEA MMZ1608B 301CT-AS	B	144.5/73.5
EP801	6910013310	S.BEA MMZ1608D121B	T	180.7/96.6
EP802	6910013310	S.BEA MMZ1608D121B	T	178.1/95.9
EP803	6910013310	S.BEA MMZ1608D121B	T	180.7/95.2
EP804	6910013310	S.BEA MMZ1608D121B	T	178.1/94.5
EP805	6910013310	S.BEA MMZ1608D121B	T	180.7/93.8
EP806	6910013310	S.BEA MMZ1608D121B	T	178.1/93.1
EP807	6910013310	S.BEA MMZ1608D121B	T	180.7/92.4
EP808	6910013310	S.BEA MMZ1608D121B	T	178.1/91.7
EP809	6910013310	S.BEA MMZ1608D121B	T	180.7/91
EP810	6910013310	S.BEA MMZ1608D121B	T	178.1/90.3
EP811	6910013310	S.BEA MMZ1608D121B	T	180.7/89.6
EP812	6910013310	S.BEA MMZ1608D121B	T	178.1/88.9
EP813	6910013310	S.BEA MMZ1608D121B	T	180.7/88.2
EP814	6910013310	S.BEA MMZ1608D121B	T	178.1/87.5
EP815	6910013310	S.BEA MMZ1608D121B	T	180.7/86.8
EP816	6910013310	S.BEA MMZ1608D121B	T	178.1/86.1
EP817	6910013310	S.BEA MMZ1608D121B	T	180.7/85.4
EP818	6910013310	S.BEA MMZ1608D121B	T	178.1/84.7
EP819	6910013310	S.BEA MMZ1608D121B	T	180.7/84
EP820	6910013310	S.BEA MMZ1608D121B	T	180.7/82
EP822	6910014730	S.BEA MPZ2012S331A-T	T	181.6/48.5
EP823	6910014730	S.BEA MPZ2012S331A-T	T	181.6/51.3
EP825	6910014730	S.BEA MPZ2012S331A-T	T	181.5/55.2
EP826	6910015970	S.BEA MMZ1608B 301CT-AS	T	182.5/57.7
EP827	6910015970	S.BEA MMZ1608B 301CT-AS	T	182.5/60.3
EP828	6910015970	S.BEA MMZ1608B 301CT-AS	T	182.5/61.6
EP829	6910015970	S.BEA MMZ1608B 301CT-AS	T	182.5/59
EP851	6910014730	S.BEA MPZ2012S331A-T	T	135.3/9.8
EP853	6910014730	S.BEA MPZ2012S331A-T	T	137.8/9.8
EP854	6910014730	S.BEA MPZ2012S331A-T	T	140.3/9.8
EP855	6910014730	S.BEA MPZ2012S331A-T	T	142.8/9.8
EP856	6910014730	S.BEA MPZ2012S331A-T	T	132.8/9.9
EP857	6910014730	S.BEA MPZ2012S331A-T	T	130.3/9.9
EP861	6910014730	S.BEA MPZ2012S331A-T	T	66.4/10.1
EP862	6910014730	S.BEA MPZ2012S331A-T	T	68.4/10.1
EP901	6910015970	S.BEA MMZ1608B 301CT-AS	T	8.7/105.3
EP902	6910014730	S.BEA MPZ2012S331A-T	T	2.1/111.2
EP903	6910014730	S.BEA MPZ2012S331A-T	T	9.6/134.5
EP904	6910014730	S.BEA MPZ2012S331A-T	T	15.2/126.1
EP905	6910014730	S.BEA MPZ2012S331A-T	T	71.2/142
EP906	6910014730	S.BEA MPZ2012S331A-T	T	91/151
EP907	6910014730	S.BEA MPZ2012S331A-T	T	106/151
EP908	6910014730	S.BEA MPZ2012S331A-T	T	97/151
EP909	6910014730	S.BEA MPZ2012S331A-T	T	38.3/151
EP910	6910014730	S.BEA MPZ2012S331A-T	T	28.3/151
EP911	6910014730	S.BEA MPZ2012S331A-T	T	9.1/140.6
EP912	6910014730	S.BEA MPZ2012S331A-T	T	9.1/138.9
EP913	6910015970	S.BEA MMZ1608B 301CT-AS	T	9.2/137.3
EP914	6910015970	S.BEA MMZ1608B 301CT-AS	T	9.2/136
EP915	6910015970	S.BEA MMZ1608B 301CT-AS	B	4.2/137.3
EP916	6910015970	S.BEA MMZ1608B 301CT-AS	B	4.2/135.7
EP920	6910015970	S.BEA MMZ1608B 301CT-AS	T	2.2/107.5
EP921	6910014730	S.BEA MPZ2012S331A-T	T	20.9/142
EP931	6910015970	S.BEA MMZ1608B 301CT-AS	T	52.6/141.2
EP932	6910015970	S.BEA MMZ1608B 301CT-AS	T	53.3/150.8
EP933	6910015970	S.BEA MMZ1608B 301CT-AS	T	59.6/140.9
EP934	6910014730	S.BEA MPZ2012S331A-T	T	56.6/140.7
EP941	6910015970	S.BEA MMZ1608B 301CT-AS	T	73.6/140.9
EP942	6910015970	S.BEA MMZ1608B 301CT-AS	T	74.9/140.9
EP943	6910015970	S.BEA MMZ1608B 301CT-AS	T	76.2/140.9
EP944	6910015970	S.BEA MMZ1608B 301CT-AS	T	77.5/140.9
EP945	6910014730	S.BEA MPZ2012S331A-T	T	81.6/140.9
EP951	6910014730	S.BEA MPZ2012S331A-T	T	99.1/140.1
EP952	6910014730	S.BEA MPZ2012S331A-T	T	95.3/140.1
EP961	6910015970	S.BEA MMZ1608B 301CT-AS	T	177.4/19.1
EP963	6910014730	S.BEA MPZ2012S331A-T	T	179.2/26.7
EP964	6910014730	S.BEA MPZ2012S331A-T	T	179.2/28.4
EP965	6910014730	S.BEA MPZ2012S331A-T	T	179.3/30.2
EP971	6910015970	S.BEA MMZ1608B 301CT-AS	T	180.7/133
EP972	6910015970	S.BEA MMZ1608B 301CT-AS	T	180.7/131
EP973	6910015970	S.BEA MMZ1608B 301CT-AS	T	183.2/130
EP974	6910015970	S.BEA MMZ1608B 301CT-AS	T	180.7/129
EP975	6910014730	S.BEA MPZ2012S331A-T	T	181.8/135.6
EP976	6910015970	S.BEA MMZ1608B 301CT-AS	T	183.2/128
EP981	6910015970	S.BEA MMZ1608B 301CT-AS	T	36/140.9
EP982	6910015970	S.BEA MMZ1608B 301CT-AS	T	34.7/140.9
EP983	6910014730	S.BEA MPZ2012S331A-T	T	38.2/140.5
EP984	6910014730	S.BEA MPZ2012S331A-T	T	31.2/140.5

[LOGIC UNIT]

REF NO.	ORDER NO.	DESCRIPTION	M.	H/V LOCATION
EP991	6910015970	S.BEA MMZ1608B 301CT-AS	T	37.8/8.3
EP992	6910014730	S.BEA MPZ2012S331A-T	T	39.8/8.7
EP1051	6910014730	S.BEA MPZ2012S331A-T	T	124.8/9.9
EP1052	6910014730	S.BEA MPZ2012S331A-T	T	58.7/10.2
EP1053	6910014730	S.BEA MPZ2012S331A-T	T	56.2/10.2
EP1054	6910014730	S.BEA MPZ2012S331A-T	T	22.8/19
EP1055	6910014730	S.BEA MPZ2012S331A-T	T	19.3/13
EP1056	6910014730	S.BEA MPZ2012S331A-T	B	22.7/19.4
EP1101	6910013310	S.BEA MMZ1608D121B	T	13.3/29.8
EP1102	6910013310	S.BEA MMZ1608D121B	T	10.5/30.5
EP1103	6910013310	S.BEA MMZ1608D121B	T	13.3/31.2
EP1104	6910013310	S.BEA MMZ1608D121B	T	10.5/31.9
EP1105	6910013310	S.BEA MMZ1608D121B	T	13.3/32.6
EP1106	6910013310	S.BEA MMZ1608D121B	T	10.5/33.3
EP1107	6910013310	S.BEA MMZ1608D121B	T	13.3/34
EP1108	6910013310	S.BEA MMZ1608D121B	T	10.5/34.7
EP1109	6910013310	S.BEA MMZ1608D121B	T	13.3/35.4
EP1110	6910013310	S.BEA MMZ1608D121B	T	10.5/36.1
EP1111	6910013310	S.BEA MMZ1608D121B	T	13.3/36.8
EP1112	6910013310	S.BEA MMZ1608D121B	T	10.5/37.5
EP1113	6910013310	S.BEA MMZ1608D121B	T	13.3/38.2
EP1114	6910013310	S.BEA MMZ1608D121B	T	10.5/38.9
EP1115	6910013310	S.BEA MMZ1608D121B	T	13.3/39.6
EP1116	6910013310	S.BEA MMZ1608D121B	T	10.5/40.3
EP1117	6910013310	S.BEA MMZ1608D121B	T	13.3/41
EP1118	6910013310	S.BEA MMZ1608D121B	T	10.5/41.7
EP1119	6910013310	S.BEA MMZ1608D121B	T	13.3/42.4
EP1120	6910013310	S.BEA MMZ1608D121B	T	10.5/43.1
EP1121	6910013310	S.BEA MMZ1608D121B	T	13.3/43.8
EP1122	6910013310	S.BEA MMZ1608D121B	T	10.5/44.5
EP1123	6910013310	S.BEA MMZ1608D121B	T	13.3/45.2
EP1124	6910013310	S.BEA MMZ1608D121B	T	10.5/47.2
EP1125	6910013310	S.BEA MMZ1608D121B	T	13.3/47.9
EP1126	6910013310	S.BEA MMZ1608D121B	T	10.5/48.6
EP1127	6910013310	S.BEA MMZ1608D121B	T	13.3/49.3
EP1128	6910013310	S.BEA MMZ1608D121B	T	10.5/50
EP1129	6910013310	S.BEA MMZ1608D121B	T	13.3/50.7
EP1130	6910013310	S.BEA MMZ1608D121B	T	10.5/51.4
EP1131	6910013310	S.BEA MMZ1608D121B	T	13.3/52.1
EP1132	6910013310	S.BEA MMZ1608D121B	T	10.5/52.8
EP1133	6910013310	S.BEA MMZ1608D121B	T	13.3/53.5
EP1134	6910013310	S.BEA MMZ1608D121B	T	10.5/54.2
EP1135	6910013310	S.BEA MMZ1608D121B	T	13.3/54.9
EP1136	6910013310	S.BEA MMZ1608D121B	T	10.5/55.6
EP1137	6910013310	S.BEA MMZ1608D121B	T	13.3/56.3
EP1138	6910013310	S.BEA MMZ1608D121B	T	10.5/57
EP1139	6910013310	S.BEA MMZ1608D121B	T	13.3/57.7
EP1140	6910013310	S.BEA MMZ1608D121B	T	10.5/58.4
EP1141	6910013310	S.BEA MMZ1608D121B	T	13.3/59.1
EP1142	6910013310	S.BEA MMZ1608D121B	T	10.5/59.8
EP1143	6910013310	S.BEA MMZ1608D121B	T	13.3/60.5
EP1144	6910013310	S.BEA MMZ1608D121B	T	10.5/61.2
EP1145	6910013310	S.BEA MMZ1608D121B	T	13.3/61.9
EP1146	6910013310	S.BEA MMZ1608D121B	T	10.5/62.6
EP1147	6910014730	S.BEA MPZ2012S331A-T	T	22.5/45.8
EP1149	6910014730	S.BEA MPZ2012S331A-T	T	39.6/19.8
EP1263	6910015970	S.BEA MMZ1608B 301CT-AS	T	36.2/19.4
EP1273	6910015970	S.BEA MMZ1608B 301CT-AS	T	38.1/19.4

M.=Mounted side (T: Mounted on the Top side B: Mounted on the Bottom side) S.=Surface mount

[MAIN UNIT]

REF NO.	ORDER NO.	DESCRIPTION	M.	H/V LOCATION
IC101	1180000720	S.IC AN79L05M-(E1)	B	73.8/9.7
IC201	1130013370	S.IC HD74LV2GT34AUSE-E	T	56.5/48
IC202	1130006891	S.IC TC7S04FU (TE85R,F)	T	51.6/46
IC203	1140007881	S.IC TC190G08EFG0046JDZ/SC1246A	T	59.1/34.4
IC1002	1130012610	S.IC SN74AHC1GU04DCKR	T	92.9/59.5
IC1004	1130012600	S.IC SN74AHC1G04DCKR	T	92.7/63.3
IC1005	1140012211	S.IC TM5320C6713BZDP225	B	75.4/76.6
IC1006	1130013740	S.IC AT29LV040A-15TU (RX-2844D) except [FRA], [AUS], [CHN]	T	54/76.7
	1130013743	S.IC AT29LV040A-15TU (RX-2844D-3) [FRA], [AUS], [CHN]	T	54/76.7
IC1076	1110006411	S.IC R3111N111A-TR-F	T	76.8/91.6
IC1301	1130013110	S.IC KIC7W53FK-RTK/P	B	101.6/16.6
IC1302	1110006100	S.IC NJM5534MD-TE1-#ZZZB	B	110.5/10.5
IC1304	1110006100	S.IC NJM5534MD-TE1-#ZZZB	B	101.2/26.5
IC1305	1110006100	S.IC NJM5534MD-TE1-#ZZZB	B	112.5/26.7
IC1331	1110005100	S.IC NJM072BM-TE1-#ZZZB	B	123/14.3
IC1332	1130013110	S.IC KIC7W53FK-RTK/P	B	122.5/23.2
IC1351	1110006111	S.IC AK5394AVSP/P	B	103.3/42.1
IC1353	1130006891	S.IC TC7S04FU (TE85R,F)	B	71.4/50.5
IC1355	1130012610	S.IC SN74AHC1GU04DCKR	B	71.4/46.1
IC1401	1130012580	S.IC AK4355-VF-E2	B	83.1/50.1
IC1421	1110005420	S.IC BA15532F-E2	B	79.9/30
IC1471	1110005420	S.IC BA15532F-E2	B	90.1/30
IC1601	1180002650	S.REG SI-3012KS-TL	B	64.9/95
IC2001	1180002650	S.REG SI-3012KS-TL	B	121.3/95.3
IC2051	1180003030	S.REG S-812C25AUA-C2FT2G	B	126.2/38.2
IC2201	1110006580	S.IC AD8007AKSZ	T	121.6/42
IC2301	1190002031	S.IC AD7650ASTZ	B	118.5/53
IC2302	1130006891	S.IC TC7S04FU (TE85R,F)	B	125.4/52.5
IC2351	1130008041	S.IC TC7S04FU (TE85L,JF)	B	125.3/49.8
IC2402	1110006411	S.IC R3111N111A-TR-F	T	105.8/61.8
IC2403	1140012221	S.IC TM5320C6711DZDP200	B	119.5/76.5
IC2404	1130013730	S.IC AT49BV040B-TU (RX-2844E)	T	98/76.7
IC2451	1130011930	S.IC SN74LVC1G04DCKR	T	132/59.6
IC2452	1130011930	S.IC SN74LVC1G04DCKR	T	132.1/55.4
IC3101	1140007881	S.IC TC190G08EFG0046JDZ/SC1246A	T	33/35.5
IC3131	1130006891	S.IC TC7S04FU (TE85R,F)	T	40.7/24.4
IC3221	1110003201	S.IC TA31136FNG (EL)	T	10.1/41
IC3222	1120002830	S.IC NJM2125F-TE1-#FZZB	T	18.7/48.6
IC3251	1130012850	S.IC SN74LVC3G34DCUR	T	40/95
IC3271	1110005610	S.IC NJM2058V-TE1-#ZZZB	B	13/71.1
IC3321	1130013110	S.IC KIC7W53FK-RTK/P	B	84.1/17.1
IC3322	1130013110	S.IC KIC7W53FK-RTK/P	B	92.5/17.1
IC3323	1130013110	S.IC KIC7W53FK-RTK/P	B	76.9/17.1
IC3324	1130013370	S.IC HD74LV2GT34AUSE-E	T	35.5/22
Q201	1590003520	S.TR BCR108T except [FRA], [AUS], [CHN]	B	68/37.1
	1590003940	S.TR RN1105 (TE85L,F) [FRA], [AUS], [CHN]	B	68/37.1
Q1001	1590003520	S.TR BCR108T except [FRA], [AUS], [CHN]	B	90.2/56.5
	1590003940	S.TR RN1105 (TE85L,F) [FRA], [AUS], [CHN]	B	90.2/56.5
Q3141	1590003520	S.TR BCR108T except [FRA], [AUS], [CHN]	B	23.3/34.7
	1590003940	S.TR RN1105 (TE85L,F) [FRA], [AUS], [CHN]	B	23.3/34.7
Q3321	1590003520	S.TR BCR108T except [FRA], [AUS], [CHN]	B	81.6/18.5
	1590003940	S.TR RN1105 (TE85L,F) [FRA], [AUS], [CHN]	B	81.6/18.5
Q3322	1590003520	S.TR BCR108T except [FRA], [AUS], [CHN]	B	90/18.5
Q3322	1590003940	S.TR RN1105 (TE85L,F) [FRA], [AUS], [CHN] only	B	90/18.5
Q3323	1590003520	S.TR BCR108T except [FRA], [AUS], [CHN]	B	74.4/18.5
Q3323	1590003940	S.TR RN1105 (TE85L,F) [FRA], [AUS], [CHN] only	B	74.4/18.5
D1602	1710000840	S.DIO 1SR154-400 TE25	B	59.2/95
D2001	1710000840	S.DIO 1SR154-400 TE25	B	115.5/95.3
FI1001	2040000790	S.LC EXCCET103U	B	90.5/73.3
FI2401	2040000790	S.LC EXCCET103U	B	127.5/59.2
FI3201	2020001810	S.CER SFECV10M7FA00-R0 (SFEVCV10.7MA5S)	T	11/27.7
FI3221	2020002250	CER LT450EW <JJE>	T	
X1001	6050011660	S.XTL CR-754 (30.000 MHz)	B	94.3/60.7
L201	6200001831	S.COL NLV32T-100J	B	62.8/43.7
L301	6200003711	S.COL NLV25T-2R7J	B	68.1/22.3
L302	6200002981	S.COL NLV32T-R56J	B	73.7/26.2
L303	6200003041	S.COL NLV32T-R68J	B	72.7/31.3
L304	6200003051	S.COL NLV32T-R82J	B	70.7/37.6
L1001	6180003501	S.COL SLF6028T-100M1R3-PF	T	71.8/95
L2301	6200001831	S.COL NLV32T-100J	T	109.9/56.2
L2302	6200001831	S.COL NLV32T-100J	T	114.6/45.4
L2481	6180003501	S.COL SLF6028T-100M1R3-PF	T	124.5/94
L2482	6200001831	S.COL NLV32T-100J	B	99.3/58.8
L3101	6200001831	S.COL NLV32T-100J	B	29.1/25.5
L3151	6200003091	S.COL NLV32T-2R7J	B	20.7/50
L3152	6200003061	S.COL NLV32T-1R2J	B	21.6/38
L3153	6200003061	S.COL NLV32T-1R2J	B	19.8/34.6
L3201	6200010970	S.COL C2520C-1R8G-A (1.8U)	T	11/21.8
L3221	6200002041	S.COL NLV25T-101J	T	17.3/39.8

[MAIN UNIT]

REF NO.	ORDER NO.	DESCRIPTION	M.	H/V LOCATION
L3222	6200003151	S.COL NLV32T-180J	T	9.2/33.5
R1	7030003370	S.RES ERJ3GEYJ 271 V (270)	B	53.2/17.5
R2	7030003370	S.RES ERJ3GEYJ 180 V (18)	B	53.8/19.4
R3	7030003370	S.RES ERJ3GEYJ 271 V (270)	B	54.6/17.5
R21	7030003860	S.RES ERJ3GE JPW V	T	103.6/26.6
R41	7030003860	S.RES ERJ3GE JPW V	B	89.7/9.4
R42	7030003860	S.RES ERJ3GE JPW V	B	85.8/9.3
R61	7030003320	S.RES ERJ3GEYJ 101 V (100)	T	110.7/93.1
R62	7030003320	S.RES ERJ3GEYJ 101 V (100)	T	110.7/91.8
R63	7030003320	S.RES ERJ3GEYJ 101 V (100)	T	108/91.2
R64	7030003320	S.RES ERJ3GEYJ 101 V (100)	T	106.7/91.2
R65	7030003320	S.RES ERJ3GEYJ 101 V (100)	T	105.4/91.2
R66	7030003320	S.RES ERJ3GEYJ 101 V (100)	T	104.1/91.2
R67	7030003320	S.RES ERJ3GEYJ 101 V (100)	T	102.8/91.2
R68	7030003320	S.RES ERJ3GEYJ 101 V (100)	T	101.5/91.2
R69	7030003320	S.RES ERJ3GEYJ 101 V (100)	T	100.2/91.2
R70	7030003320	S.RES ERJ3GEYJ 101 V (100)	T	98.9/91.2
R71	7030003320	S.RES ERJ3GEYJ 101 V (100)	T	97.6/91.2
R72	7030003320	S.RES ERJ3GEYJ 101 V (100)	T	96.3/91.2
R73	7030003320	S.RES ERJ3GEYJ 101 V (100)	T	95/91.2
R74	7030003860	S.RES ERJ3GE JPW V	T	93.7/91.2
R75	7030003320	S.RES ERJ3GEYJ 101 V (100)	B	108.8/96.3
R76	7030003320	S.RES ERJ3GEYJ 101 V (100)	B	107.5/96.3
R77	7030003320	S.RES ERJ3GEYJ 101 V (100)	B	106.2/96.3
R78	7030003320	S.RES ERJ3GEYJ 101 V (100)	B	104.9/96.3
R79	7030003320	S.RES ERJ3GEYJ 101 V (100)	B	103.6/96.3
R80	7030003320	S.RES ERJ3GEYJ 101 V (100)	B	102.3/96.3
R81	7030003320	S.RES ERJ3GEYJ 101 V (100)	B	101/96.3
R82	7030003320	S.RES ERJ3GEYJ 101 V (100)	B	99.7/96.3
R83	7030003320	S.RES ERJ3GEYJ 101 V (100)	B	98.4/96.3
R84	7030003320	S.RES ERJ3GEYJ 101 V (100)	B	97.1/96.3
R85	7030003320	S.RES ERJ3GEYJ 101 V (100)	B	95.8/96.3
R86	7030003860	S.RES ERJ3GE JPW V	B	94.5/96.3
R87	7030003860	S.RES ERJ3GE JPW V	B	93.2/96.3
R91	7030003860	S.RES ERJ3GE JPW V	T	117.5/38.5
R201	7030003320	S.RES ERJ3GEYJ 101 V (100)	B	48.1/36.6
R202	7030003800	S.RES ERJ3GEYJ 105 V (1 M)	B	52.3/44.2
R203	7030003440	S.RES ERJ3GEYJ 102 V (1 k)	B	65.4/35.7
R204	7030003360	S.RES ERJ3GEYJ 221 V (220)	B	57.9/43.5
R205	7030003440	S.RES ERJ3GEYJ 102 V (1 k)	B	56.6/43.5
R206	7030003440	S.RES ERJ3GEYJ 102 V (1 k)	B	55.3/43.5
R207	7030003520	S.RES ERJ3GEYJ 472 V (4.7 k)	B	64.7/33.1
R208	7030007220	S.RES ERA3YED 202V (2 k)	T	51.7/20.8
R209	7030007220	S.RES ERA3YED 202V (2 k)	T	51.7/23.4
R210	7030007220	S.RES ERA3YED 202V (2 k)	T	53/23.4
R211	7030007230	S.RES ERA3YED 102V (1 k)	T	53/20.8
R212	7030007220	S.RES ERA3YED 202V (2 k)	T	54.3/23.4
R213	7030007230	S.RES ERA3YED 102V (1 k)	T	54.3/20.8
R214	7030007220	S.RES ERA3YED 202V (2 k)	T	55.6/23.4
R215	7030007230	S.RES ERA3YED 102V (1 k)	T	55.6/20.8
R216	7030007220	S.RES ERA3YED 202V (2 k)	T	56.9/23.4
R217	7030007230	S.RES ERA3YED 102V (1 k)	T	56.9/20.8
R218	7030007220	S.RES ERA3YED 202V (2 k)	T	58.2/23.4
R219	7030007230	S.RES ERA3YED 102V (1 k)	T	58.2/20.8
R220	7030007220	S.RES ERA3YED 202V (2 k)	T	59.5/23.4
R221	7030007230	S.RES ERA3YED 102V (1 k)	T	59.5/20.8
R222	7030007200	S.RES ERA3YEB 202V (2 k)	T	60.8/23.4
R223	7030007210	S.RES ERA3YEB 102V (1 k)	T	60.8/20.8
R224	7030007200	S.RES ERA3YEB 202V (2 k)	T	62.1/23.4
R225	7030007210	S.RES ERA3YEB 102V (1 k)	T	62.1/20.8
R226	7030007200	S.RES ERA3YEB 202V (2 k)	T	63.4/23.4
R227	7030007210	S.RES ERA3YEB 102V (1 k)	T	63.4/20.8
R228	7030007200	S.RES ERA3YEB 202V (2 k)	T	64.7/23.4
R229	7030007210	S.RES ERA3YEB 102V (1 k)	T	64.7/20.8
R230	7030007200	S.RES ERA3YEB 202V (2 k)	T	66/23.4
R231	7030007210	S.RES ERA3YEB 102V (1 k)	T	66/20.8
R301	7030003370	S.RES ERJ3GEYJ 271 V (270)	B	72.7/40.7
R302	7030003320	S.RES ERJ3GEYJ 180 V (18)	B	73.9/40.6
R303	7030003370	S.RES ERJ3GEYJ 271 V (270)	B	73.2/42.6
R1001	7030003320	S.RES ERJ3GEYJ 101 V (100)	T	90.7/57.9
R1002	7030003800	S.RES ERJ3GEYJ 105 V (1 M)	T	94.9/60.4
R1003	7030003320	S.RES ERJ3GEYJ 101 V (100)	T	90.5/61.3
R1006	7030003560	S.RES ERJ3GEYJ 103 V (10 k)	T	82.6/80.6
R1007	7030003560	S.RES ERJ3GEYJ 103 V (10 k)	T	89.2/83.5
R1008	7030003440	S.RES ERJ3GEYJ 102 V (1 k)	T	85.5/90.4
R1009	7030003640	S.RES ERJ3GEYJ 473 V (47 k)	B	84.4/91.2
R1010	7030003860	S.RES ERJ3GE JPW V	T	79.3/89.9
R1011	7030003560	S.RES ERJ3GEYJ 103 V (10 k)	T	82.6/78
R1012	7030003560	S.RES ERJ3GEYJ 103 V (10 k)	T	72.7/69.5
R1013	7030003560	S.RES ERJ3GEYJ 103 V (10 k)	T	70.6/61.6
R1014	7030003560	S.RES ERJ3GEYJ 103 V (10 k)	T	74/69.5
R1015	7030003560	S.RES ERJ3GEYJ 103 V (10 k)	T	83.1/61.6
R1100	7030004040	S.RES ERJ3GEYJ 4R7 V (4.7)	T	53.1/57.9
R1101	7030003520	S.RES ERJ3GEYJ 472 V (4.7 k)	T	67.6/57.1
R1104	7030003520	S.RES ERJ3GEYJ 472 V (4.7 k)	T	67.5/55.2
R1303	7030003640	S.RES ERJ3GEYJ 473 V (47 k)	B	104.4/16.6
R1304	7030009591	S.RES ERA3YED 272V (4.7 k)	B	103.4/13.2
R1305	7030009591	S.RES ERA3YED 472V (4.7 k)	B	110.4/14.1
R1306	7030003320	S.RES ERJ3GEYJ 101 V (100)	B	106.6/13.6
R1307	7030003320	S.RES ERJ3GEYJ 101 V (100)	B	112.4/7
R1308	7030003860	S.RES ERJ3GE JPW V	B	110.4/16.2
R1309	7030006601	S.RES ERA3YED 272V (2.7 k)	B	96.4/24.2
R1310	7030006601	S.RES ERA3YED 272V (2.7 k)	B	107.7/24.6
R1311	7030009591	S.RES ERA3YED 472V (4.7 k)	B	117.2/25.2
R1312	7030009591	S.RES ERA3YED 472V (4.7 k)	B	116/22.4
R1313	7030010390	S.RES ERA3YED 821V (820)	B	96.4/26.9
R1314	7030010390	S.RES ERA3YED 821V (820)	B	107.7/27.3
R1315	7030003320	S.RES ERJ3GEYJ 101 V (100)	B	99.4/21
R1316	7030003320	S.RES ERJ3GEYJ 101 V (100)	B	110.6/21.1
R1317	7030003320	S.RES ERJ3GEYJ 101 V (100)	B	105.9/27.4
R1318	7030003320	S.RES ERJ3GEYJ 101 V (100)	B	117.2/27.9

[MAIN UNIT]

REF NO.	ORDER NO.	DESCRIPTION	M.	H/V LOCATION
R1320	7030009691	S.RES ERA3YED 101V (100)	B	107.7/30.1
R1331	7030005871	S.RES ERA3YKD 104V (100 k)	B	115.8/15.7
R1332	7030005871	S.RES ERA3YKD 104V (100 k)	B	118.2/15.7
R1333	7030005321	S.RES ERA3YED 103V (10 k)	B	120.9/19.7
R1334	7030009691	S.RES ERA3YED 101V (100)	B	122.1/19.7
R1335	7030005631	S.RES ERA3YKD 154V (150 k)	B	128.6/16
R1336	7030005681	S.RES ERA3YKD 473V (47 k)	B	128.6/18.4
R1337	7030005871	S.RES ERA3YKD 104V (100 k)	B	128.6/14.8
R1338	7030005871	S.RES ERA3YKD 104V (100 k)	B	124.6/19.7
R1339	7030009691	S.RES ERA3YED 101V (100)	B	123.4/19.7
R1340	7030003320	S.RES ERJ3GEYJ 101 V (100)	B	128.6/13.6
R1341	7030003320	S.RES ERJ3GEYJ 101 V (100)	B	116.9/18.6
R1351	7030003200	S.RES ERJ3GEYJ 100 V (10)	B	94.5/42.3
R1352	7030003640	S.RES ERJ3GEYJ 473 V (47 k)	B	96/46.6
R1353	7030003640	S.RES ERJ3GEYJ 473 V (47 k)	B	96/47.8
R1354	7030003460	S.RES ERJ3GEYJ 152 V (1.5 k)	B	98.3/53.1
R1355	7030003640	S.RES ERJ3GEYJ 473 V (47 k)	B	96/40.2
R1356	7030003320	S.RES ERJ3GEYJ 101 V (100)	B	96/45.3
R1359	7030003640	S.RES ERJ3GEYJ 473 V (47 k)	B	112/45.7
R1360	7030003640	S.RES ERJ3GEYJ 473 V (47 k)	B	110.5/45.7
R1361	7030003640	S.RES ERJ3GEYJ 473 V (47 k)	B	110.6/48.3
R1362	7030003800	S.RES ERJ3GEYJ 105 V (1 M)	B	73.3/46.2
R1401	7030003320	S.RES ERJ3GEYJ 101 V (100)	B	76.8/48.8
R1402	7030003860	S.RES ERJ3GE JPW V	B	74.3/48.9
R1421	7030009591	S.RES ERA3YED 472V (4.7 k)	B	78.9/42.4
R1422	7030009961	S.RES ERA3YED 221V (220)	B	77.5/36.9
R1423	7030009591	S.RES ERA3YED 472V (4.7 k)	B	77.5/42.4
R1424	7030009591	S.RES ERA3YED 472V (4.7 k)	B	76.2/42.3
R1425	7030009961	S.RES ERA3YED 221V (220)	B	76.2/36.9
R1426	7030009591	S.RES ERA3YED 472V (4.7 k)	B	78.9/36.9
R1431	7030003320	S.RES ERJ3GEYJ 101 V (100)	T	76.2/29.5
R1433	7030003320	S.RES ERJ3GEYJ 101 V (100)	T	83.5/30.2
R1441	7030009691	S.RES ERA3YED 101V (100)	B	78.9/26.5
R1451	7030005321	S.RES ERA3YED 103V (10 k)	B	83.5/42.2
R1452	7030007661	S.RES ERA3YED 331V (330)	B	82.1/38.3
R1453	7030005321	S.RES ERA3YED 103V (10 k)	B	82/42.2
R1454	7030005341	S.RES ERA3YED 332V (3.3 k)	B	80.8/40
R1455	7030007661	S.RES ERA3YED 331V (330)	B	80.8/37.1
R1456	7030005341	S.RES ERA3YED 332V (3.3 k)	B	83.5/38.3
R1457	7030006461	S.RES ERA3YED 152V (1.5 k)	T	75.7/43.5
R1458	7030006521	S.RES ERA3YED 561V (560)	T	75.7/40.9
R1471	7030009591	S.RES ERA3YED 472V (4.7 k)	B	89.5/43.5
R1472	7030009961	S.RES ERA3YED 221V (220)	B	91.1/37.8
R1473	7030009591	S.RES ERA3YED 472V (4.7 k)	B	90.8/43.5
R1474	7030009591	S.RES ERA3YED 472V (4.7 k)	B	92.1/42.3
R1475	7030009961	S.RES ERA3YED 221V (220)	B	92.4/37.8
R1476	7030009591	S.RES ERA3YED 472V (4.7 k)	B	89.8/37.8
R1477	7030009691	S.RES ERA3YED 101V (100)	B	90.8/25.8
R1478	7030003320	S.RES ERJ3GEYJ 101 V (100)	T	86.1/30.2
R1479	7030003320	S.RES ERJ3GEYJ 101 V (100)	T	92.1/22.9
R1491	7030005321	S.RES ERA3YED 103V (10 k)	B	87.8/42.2
R1492	7030009961	S.RES ERA3YED 221V (220)	B	86.6/37.8
R1493	7030005321	S.RES ERA3YED 103V (10 k)	B	86.4/42.2
R1494	7030008061	S.RES ERA3YED 222V (2.2 k)	B	85.2/42.2
R1495	7030009961	S.RES ERA3YED 221V (220)	B	85.4/37.8
R1496	7030008061	S.RES ERA3YED 222V (2.2 k)	B	87.8/37.8
R1497	7030009691	S.RES ERA3YED 101V (100)	B	88.2/25.8
R1601	7030003600	S.RES ERJ3GEYJ 223 V (22 k)	B	68.4/97.8
R2001	7030003600	S.RES ERJ3GEYJ 223 V (22 k)	B	124.8/98
R2102	7030003860	S.RES ERJ3GE JPW V	T	98.7/63.2
R2201	7030003200	S.RES ERJ3GEYJ 100 V (10)	T	120/38.8
R2202	7030003200	S.RES ERJ3GEYJ 100 V (10)	T	124.2/41.1
R2203	7030010600	S.RES ERA3YHD 150V (15)	B	119.3/44.5
R2204	7030006521	S.RES ERA3YED 561V (560)	B	120.1/42.3
R2205	7030008061	S.RES ERA3YED 222V (2.2 k)	T	118.3/40.4
R2206	7030005451	S.RES ERA3YED 153V (15 k)	T	118.8/41.7
R2207	7030005321	S.RES ERA3YED 103V (10 k)	T	118.8/42.9
R2301	7030003560	S.RES ERJ3GEYJ 103 V (10 k)	B	112.6/55
R2302	7030003320	S.RES ERJ3GEYJ 101 V (100)	T	118.5/53
R2303	7030003560	S.RES ERJ3GEYJ 103 V (10 k)	B	113.4/58.3
R2304	7030003560	S.RES ERJ3GEYJ 103 V (10 k)	B	117.1/60.6
R2305	7030003560	S.RES ERJ3GEYJ 103 V (10 k)	B	113.4/57
R2306	7030003560	S.RES ERJ3GEYJ 103 V (10 k)	B	117.1/59.3
R2307	7030003320	S.RES ERJ3GEYJ 101 V (100)	B	125.3/55.7
R2401	7030003280	S.RES ERJ3GEYJ 470 V (47 k)	T	125.1/61.5
R2402	7030003560	S.RES ERJ3GEYJ 103 V (10 k)	T	123.5/69.4
R2403	7030003280	S.RES ERJ3GEYJ 470 V (47 k)	T	122.5/61.5
R2404	7030003560	S.RES ERJ3GEYJ 103 V (10 k)	T	127.8/61.5
R2405	7030003560	S.RES ERJ3GEYJ 103 V (10 k)	T	118.1/69.9
R2406	7030003560	S.RES ERJ3GEYJ 103 V (10 k)	B	105/70.5
R2408	7030003560	S.RES ERJ3GEYJ 103 V (10 k)	T	115.7/69.4
R2409	7030003860	S.RES ERJ3GE JPW V	T	122.7/88.9
R2410	7030003560	S.RES ERJ3GEYJ 103 V (10 k)	T	115.3/62.8
R2411	7030003440	S.RES ERJ3GEYJ 102 V (1 k)	T	129/88.9
R2412	7030003440	S.RES ERJ3GEYJ 102 V (1 k)	T	129.4/90.2
R2413	7030003440	S.RES ERJ3GEYJ 102 V (1 k)	T	134.5/84.1
R2414	7030003440	S.RES ERJ3GEYJ 102 V (1 k)	T	126.6/81.8
R2415	7030003440	S.RES ERJ3GEYJ 102 V (1 k)	T	126.6/77.9
R2416	7030003560	S.RES ERJ3GEYJ 103 V (10 k)	T	105.7/83.3
R2417	7030003560	S.RES ERJ3GEYJ 103 V (10 k)	T	105.7/86.8
R2418	7030003520	S.RES ERJ3GEYJ 472 V (4.7 k)	T	126.5/74
R2419	7030003520	S.RES ERJ3GEYJ 472 V (4.7 k)	T	133.2/73.7
R2420	7030003440	S.RES ERJ3GEYJ 102 V (1 k)	T	134.5/65
R2421	7030003860	S.RES ERJ3GE JPW V	T	131.1/61.5
R2422	7030004040	S.RES ERJ3GEYJ 4R7 V (4.7)	T	128.7/37
R2451	7030004040	S.RES ERJ3GEYJ 4R7 V (4.7)	T	129.8/58.1
R2452	7030003800	S.RES ERJ3GEYJ 105 V (1 M)	T	134.4/58.6
R2453	7030004040	S.RES ERJ3GEYJ 4R7 V (4.7)	T	129.8/54.6
R2454	7030003320	S.RES ERJ3GEYJ 101 V (100)	T	134.4/55.3
R3097	7030007200	S.RES ERA3YEB 202V (2 k)	T	25.8/46.5
R3098	7030007210	S.RES ERA3YEB 102V (1 k)	T	25.8/49.1
R3099	7030007200	S.RES ERA3YEB 202V (2 k)	T	27.1/46.5
R3100	7030007210	S.RES ERA3YEB 102V (1 k)	T	27.1/49.1
R3101	7030007200	S.RES ERA3YEB 202V (2 k)	T	28.4/46.5

[MAIN UNIT]

REF NO.	ORDER NO.	DESCRIPTION	M.	H/V LOCATION
R3102	7030007210	S.RES ERA3YEB 102V (1 k)	T	28.4/49.1
R3103	7030007200	S.RES ERA3YEB 202V (2 k)	T	29.7/46.5
R3104	7030007210	S.RES ERA3YEB 102V (1 k)	T	29.7/49.1
R3105	7030007200	S.RES ERA3YEB 202V (2 k)	T	31/46.5
R3106	7030007210	S.RES ERA3YEB 102V (1 k)	T	31/49.1
R3107	7030007220	S.RES ERA3YED 202V (2 k)	T	32.3/46.5
R3108	7030007230	S.RES ERA3YED 102V (1 k)	T	32.3/49.1
R3109	7030007220	S.RES ERA3YED 202V (2 k)	T	33.6/46.5
R3110	7030007230	S.RES ERA3YED 102V (1 k)	T	33.6/49.1
R3111	7030007220	S.RES ERA3YED 202V (2 k)	T	34.9/46.5
R3112	7030007230	S.RES ERA3YED 102V (1 k)	T	34.9/49.1
R3113	7030007220	S.RES ERA3YED 202V (2 k)	T	36.2/46.5
R3114	7030007230	S.RES ERA3YED 102V (1 k)	T	36.2/49.1
R3115	7030007220	S.RES ERA3YED 202V (2 k)	T	37.5/46.5
R3116	7030007230	S.RES ERA3YED 102V (1 k)	T	37.5/49.1
R3117	7030007220	S.RES ERA3YED 202V (2 k)	T	38.8/46.5
R3118	7030007230	S.RES ERA3YED 102V (1 k)	T	38.8/49.1
R3119	7030007220	S.RES ERA3YED 202V (2 k)	T	40.1/46.5
R3120	7030007220	S.RES ERA3YED 202V (2 k)	T	40.1/49.1
R3121	7030003520	S.RES ERJ3GEYJ 472 V (4.7 k)	B	25.7/34.3
R3131	7030003800	S.RES ERJ3GEYJ 105 V (1 M)	B	39.9/33.4
R3132	7030003320	S.RES ERJ3GEYJ 101 V (100)	B	44.4/32
R3141	7030003440	S.RES ERJ3GEYJ 102 V (1 k)	B	24.9/36.2
R3142	7030003360	S.RES ERJ3GEYJ 221 V (220)	B	37.9/27.2
R3143	7030003440	S.RES ERJ3GEYJ 102 V (1 k)	B	39.4/26.4
R3144	7030003440	S.RES ERJ3GEYJ 102 V (1 k)	B	36.3/26.4
R3151	7030003370	S.RES ERJ3GEYJ 271 V (270)	B	19.8/46.5
R3152	7030003320	S.RES ERJ3GEYJ 180 V (18)	B	17.7/45.8
R3153	7030003370	S.RES ERJ3GEYJ 271 V (270)	B	19.8/45.1
R3201	7030003370	S.RES ERJ3GEYJ 271 V (270)	T	9.1/17.4
R3202	7030003320	S.RES ERJ3GEYJ 180 V (18)	T	11/18.2
R3203	7030003370	S.RES ERJ3GEYJ 271 V (270)	T	9.1/18.9
R3221	7030003280	S.RES ERJ3GEYJ 470 V (47 k)	B	13/34.4
R3222	7030003440	S.RES ERJ3GEYJ 102 V (1 k)	T	15.4/40.1
R3227	7030003860	S.RES ERJ3GE JPW V	T	19.7/54.1
R3228	7030003320	S.RES ERJ3GEYJ 101 V (100)	T	17.5/58.8
R3229	7030003440	S.RES ERJ3GEYJ 102 V (1 k)	T	19.7/56.9
R3231	7030003650	S.RES ERJ3GEYJ 563 V (56 k)	T	21.1/48.6
R3232	7030003860	S.RES ERJ3GE JPW V	T	16.4/46.7
R3233	7030003360	S.RES ERJ3GEYJ 221 V (220)	T	20.5/51.1
R3251	7030003640	S.RES ERJ3GEYJ 473 V (47 k)	T	44.9/79
R3252	7030003680	S.RES ERJ3GEYJ 104 V (100 k)	T	44.9/82.4
R3253	7030003680	S.RES ERJ3GEYJ 104 V (100 k)	T	44.9/80.8
R3254	7030003680	S.RES ERJ3GEYJ 104 V (100 k)	T	44.9/75.4
R3255	7030003360	S.RES ERJ3GEYJ 221 V (220)	B	20/90
R3256	7030003360	S.RES ERJ3GEYJ 221 V (220)	B	21.3/90
R3257	7030003360	S.RES ERJ3GEYJ 221 V (220)	B	22.6/90
R3258	7030003360	S.RES ERJ3GEYJ 221 V (220)	B	23.9/90
R3259	7030003360	S.RES ERJ3GEYJ 221 V (220)	B	25.2/90
R3260	7030003360	S.RES ERJ3GEYJ 221 V (220)	B	26.5/90
R3261	7030003360	S.RES ERJ3GEYJ 221 V (220)	B	27.8/90
R3262	7030003360	S.RES ERJ3GEYJ 221 V (220)	B	29.1/90
R3263	7030003360	S.RES ERJ3GEYJ 221 V (220)	B	30.4/90
R3264	7030003360	S.RES ERJ3GEYJ 221 V (220)	B	31.7/90
R3265	7030003360	S.RES ERJ3GEYJ 221 V (220)	B	33/90
R3271	7030003320	S.RES ERJ3GEYJ 101 V (100)	B	15/66.3
R3272	7030003320	S.RES ERJ3GEYJ 101 V (100)	B	11.1/66.3
R3281	7030003860	S.RES ERJ3GE JPW V	B	25.2/75.2
R3282	7030003630	S.RES ERJ3GEYJ 393 V (39 k)	B	24.4/72.4
R3283	7030003580	S.RES ERJ3GEYJ 153 V (15 k)	B	17.1/75.9
R3284	7030003370	S.RES ERJ3GEYJ 274 V (270 k)	B	19.5/71.8
R3285	7030003730	S.RES ERJ3GEYJ 274 V (270 k)	B	17.8/73.8
R3291	7030003560	S.RES ERJ3GEYJ 103 V (10 k)	B	5.6/75.3
R3292	7030003650	S.RES ERJ3GEYJ 563 V (56 k)	B	6.9/75.3
R3293	7030003650	S.RES ERJ3GEYJ 563 V (56 k)	B	7.6/73.1
R3294	7030003520	S.RES ERJ3GEYJ 472 V (4.7 k)	B	7.6/71.8
R3295	7030003320	S.RES ERJ3GEYJ 101 V (100)	B	9.5/75.3
R3301	7030003560	S.RES ERJ3GEYJ 103 V (10 k)	B	5.6/67
R3302	7030003680	S.RES ERJ3GEYJ 104 V (100 k)	B	6.9/67
R3303	7030003860	S.RES ERJ3GE JPW V	B	7.6/69.2
R3304	7030003520	S.RES ERJ3GEYJ 472 V (4.7 k)	B	7.6/70.5
R3305	7030003320	S.RES ERJ3GEYJ 101 V (100)	B	9.5/67
R3311	7030003560	S.RES ERJ3GEYJ 103 V (10 k)	B	20.6/65.9
R3312	7030003560	S.RES ERJ3GEYJ 103 V (10 k)	B	19.1/67
R3313	7030003860	S.RES ERJ3GE JPW V	B	18.

[MAIN UNIT]

REF NO.	ORDER NO.	DESCRIPTION	M.	H/V LOCATION
C201	4030011600	S.CER C1608 JB 1E 104K-T	T	59.6/47.4
C202	4030006880	S.CER C1608 JB 1H 472K-T	B	51.6/41.7
C203	4510008540	S.ELE EEE1CA100SR	T	63.7/48.3
C204	4030011600	S.CER C1608 JB 1E 104K-T	T	66.2/45.3
C205	4030011600	S.CER C1608 JB 1E 104K-T	T	50.7/43.8
C206	4030006880	S.CER C1608 JB 1H 472K-T	T	66.2/44
C207	4030011600	S.CER C1608 JB 1E 104K-T	T	50.7/41.2
C208	4030011600	S.CER C1608 JB 1E 104K-T	T	49.4/37
C209	4030011600	S.CER C1608 JB 1E 104K-T	T	49.4/34.4
C210	4030011600	S.CER C1608 JB 1E 104K-T	T	49.8/29.1
C211	4030011600	S.CER C1608 JB 1E 104K-T	B	53/28.8
C212	4030011600	S.CER C1608 JB 1E 104K-T	B	55.7/28.8
C213	4030011600	S.CER C1608 JB 1E 104K-T	B	61.4/27.9
C214	4030011600	S.CER C1608 JB 1E 104K-T	T	66.8/26.3
C215	4030011600	S.CER C1608 JB 1E 104K-T	B	64.8/28.6
C216	4030011600	S.CER C1608 JB 1E 104K-T	B	67.4/32.4
C217	4030011600	S.CER C1608 JB 1E 104K-T	B	67.4/34
C218	4030011600	S.CER C1608 JB 1E 104K-T	B	65.4/37.9
C219	4030011600	S.CER C1608 JB 1E 104K-T	T	67.1/42
C220	4030011600	S.CER C1608 JB 1E 104K-T	T	64.1/44.3
C221	4030011600	S.CER C1608 JB 1E 104K-T	T	61.3/44.1
C222	4030011600	S.CER C1608 JB 1E 104K-T	T	58.1/43.6
C301	4030007100	S.CER C1608 CH 1H 560J-T	T	67.6/23.4
C302	4030007160	S.CER C1608 CH 1H 181J-T	B	68.5/24.2
C303	4030007140	S.CER C1608 CH 1H 121J-T	B	71.5/25.5
C304	4030011330	S.CER C1608 CH 1H 391J-T	B	71.5/28.3
C305	4030007080	S.CER C1608 CH 1H 390J-T	B	73.7/29.1
C306	4030011280	S.CER C1608 CH 1H 271J-T	B	70.9/33.5
C307	4030010760	S.CER C1608 CH 1H 331J-T	B	73.1/34.1
C308	4030018580	S.CER C1608 CH 1H 821J-T	B	70.9/34.8
C309	4030010760	S.CER C1608 CH 1H 331J-T	B	73.1/37.6
C1001	4030011600	S.CER C1608 JB 1E 104K-T	T	92.7/57.6
C1002	4030007030	S.CER C1608 CH 1H 150J-T	T	94.9/57.6
C1003	4510007130	S.ELE EEFCD QJ 470R	B	76.3/95
C1004	4030007030	S.CER C1608 CH 1H 150J-T	T	94.9/63.2
C1005	4510007130	S.ELE EEFCD QJ 470R	B	71.5/95
C1006	4030011600	S.CER C1608 JB 1E 104K-T	T	92.7/61.4
C1007	4030011600	S.CER C1608 JB 1E 104K-T	B	90.9/69.3
C1008	4510008540	S.ELE EEE1CA100SR	T	86.6/59.1
C1009	4030011600	S.CER C1608 JB 1E 104K-T	T	63.1/86.9
C1010	4030011600	S.CER C1608 JB 1E 104K-T	T	62.9/65.1
C1011	4030011600	S.CER C1608 JB 1E 104K-T	T	65.2/89
C1012	4030011600	S.CER C1608 JB 1E 104K-T	T	65.2/62.9
C1013	4030011600	S.CER C1608 JB 1E 104K-T	T	69.6/81.4
C1014	4030011600	S.CER C1608 JB 1E 104K-T	T	69.6/80.2
C1015	4030011600	S.CER C1608 JB 1E 104K-T	T	69.6/76.1
C1016	4030011600	S.CER C1608 JB 1E 104K-T	T	69.6/74.9
C1017	4030011600	S.CER C1608 JB 1E 104K-T	T	69.6/71.4
C1018	4030011600	S.CER C1608 JB 1E 104K-T	T	71.5/82.5
C1019	4030011600	S.CER C1608 JB 1E 104K-T	T	70.8/68.7
C1020	4030011600	S.CER C1608 JB 1E 104K-T	T	76.2/89.1
C1021	4030011600	S.CER C1608 JB 1E 104K-T	T	76.1/82.4
C1022	4030011600	S.CER C1608 JB 1E 104K-T	T	75.3/69.5
C1023	4030011600	S.CER C1608 JB 1E 104K-T	T	77.3/82.4
C1024	4030011600	S.CER C1608 JB 1E 104K-T	T	77.4/68.7
C1025	4030011600	S.CER C1608 JB 1E 104K-T	T	76.7/82.9
C1026	4030011600	S.CER C1608 JB 1E 104K-T	T	80.7/82.5
C1027	4030011600	S.CER C1608 JB 1E 104K-T	T	82.2/69.5
C1028	4030011600	S.CER C1608 JB 1E 104K-T	T	82.6/81.9
C1029	4030011600	S.CER C1608 JB 1E 104K-T	T	82.6/79.3
C1030	4030011600	S.CER C1608 JB 1E 104K-T	T	82.6/76.7
C1031	4030011600	S.CER C1608 JB 1E 104K-T	T	82.6/72.6
C1032	4030011600	S.CER C1608 JB 1E 104K-T	T	83.4/69.5
C1033	4030011600	S.CER C1608 JB 1E 104K-T	T	86.3/89.1
C1034	4030011600	S.CER C1608 JB 1E 104K-T	T	82.6/71.4
C1035	4030011600	S.CER C1608 JB 1E 104K-T	T	85.8/62.9
C1036	4030011600	S.CER C1608 JB 1E 104K-T	T	89.1/89.1
C1037	4030011600	S.CER C1608 JB 1E 104K-T	T	88.4/62.9
C1038	4030011600	S.CER C1608 JB 1E 104K-T	T	89.2/76.6
C1039	4030011600	S.CER C1608 JB 1E 104K-T	T	89.2/74
C1040	4030011600	S.CER C1608 JB 1E 104K-T	B	89.9/66
C1041	4030011600	S.CER C1608 JB 1E 104K-T	T	63.1/84.3
C1042	4030011600	S.CER C1608 JB 1E 104K-T	T	62.9/70.8
C1043	4030011600	S.CER C1608 JB 1E 104K-T	T	62.9/77.3
C1044	4030011600	S.CER C1608 JB 1E 104K-T	T	62.9/74
C1045	4030011600	S.CER C1608 JB 1E 104K-T	T	62.9/67.8
C1046	4030011600	S.CER C1608 JB 1E 104K-T	T	68/89
C1047	4030011600	S.CER C1608 JB 1E 104K-T	T	63.1/81.7
C1048	4030011600	S.CER C1608 JB 1E 104K-T	T	69.6/78.5
C1049	4030011600	S.CER C1608 JB 1E 104K-T	T	69.6/82.6
C1050	4030011600	S.CER C1608 JB 1E 104K-T	T	69.6/77.3
C1051	4030011600	S.CER C1608 JB 1E 104K-T	T	69.6/72.6
C1052	4030011600	S.CER C1608 JB 1E 104K-T	T	68.8/69.5
C1053	4030011600	S.CER C1608 JB 1E 104K-T	T	67.8/62.9
C1054	4030011600	S.CER C1608 JB 1E 104K-T	T	72.7/82.5
C1055	4030011600	S.CER C1608 JB 1E 104K-T	T	70.6/62.9
C1056	4030011600	S.CER C1608 JB 1E 104K-T	T	74.9/82.4
C1057	4030011600	S.CER C1608 JB 1E 104K-T	T	79.5/62.9
C1058	4030011600	S.CER C1608 JB 1E 104K-T	T	78.7/82.5
C1059	4030011600	S.CER C1608 JB 1E 104K-T	T	81/69.5
C1060	4030011600	S.CER C1608 JB 1E 104K-T	T	83.5/89.1
C1061	4030011600	S.CER C1608 JB 1E 104K-T	T	82.6/83.2
C1062	4030011600	S.CER C1608 JB 1E 104K-T	T	83.1/62.9
C1063	4030011600	S.CER C1608 JB 1E 104K-T	T	83.3/74.7
C1064	4030011600	S.CER C1608 JB 1E 104K-T	T	89.2/80.4
C1065	4030011600	S.CER C1608 JB 1E 104K-T	T	89.2/71.4
C1066	4030011600	S.CER C1608 JB 1E 104K-T	T	89.2/65.1
C1067	4030011600	S.CER C1608 JB 1E 104K-T	T	89.2/86.1
C1068	4510008540	S.ELE EEE1CA100SR	T	50.1/61
C1201	4030011600	S.CER C1608 JB 1E 104K-T	T	53/64.1
C1302	4030011600	S.CER C1608 JB 1E 104K-T	B	100.4/18.5
C1303	4030011600	S.CER C1608 JB 1E 104K-T	B	101.7/14.7
C1305	4510008540	S.ELE EEE1CA100SR	T	110/67
C1306	4030011600	S.CER C1608 JB 1E 104K-T	B	105.8/11.6

[MAIN UNIT]

REF NO.	ORDER NO.	DESCRIPTION	M.	H/V LOCATION
C1307	4030007050	S.CER C1608 CH 1H 220J-T	B	115.3/10.3
C1308	4510008540	S.ELE EEE1CA100SR	T	115/6.8
C1309	4030011600	S.CER C1608 JB 1E 104K-T	B	109.7/77
C1310	4550007090	S.TAN TEESVA 1A 226M8R	B	97.1/20.1
C1311	4550007090	S.TAN TEESVA 1A 226M8R	B	108.4/20.6
C1312	4510008540	S.ELE EEE1CA100SR	T	120/22.5
C1313	4030011600	S.CER C1608 JB 1E 104K-T	B	104.7/24.1
C1314	4030011600	S.CER C1608 JB 1E 104K-T	B	115.9/25.2
C1315	4030011600	S.CER C1608 JB 1E 104K-T	B	97.7/24.2
C1316	4030011600	S.CER C1608 JB 1E 104K-T	B	109/24.6
C1317	4030017810	S.CER C1608 CH 1H 102J-T	B	97.7/26.9
C1318	4510008540	S.ELE EEE1CA100SR	T	105/22.7
C1319	4030017810	S.CER C1608 CH 1H 102J-T	B	109/27.3
C1320	4510008540	S.ELE EEE1CA100SR	T	113.5/22.6
C1321	4030007050	S.CER C1608 CH 1H 220J-T	B	97.7/29.5
C1322	4030007050	S.CER C1608 CH 1H 220J-T	B	109/30.1
C1323	4510008540	S.ELE EEE1CA100SR	T	107.1/28.2
C1324	4510008540	S.ELE EEE1CA100SR	T	125.5/30.6
C1325	4030011600	S.CER C1608 JB 1E 104K-T	B	104.6/27.3
C1326	4030011600	S.CER C1608 JB 1E 104K-T	B	115.9/27.9
C1331	4030017490	S.CER C1608 JB 1A 105K-T	B	117/15.7
C1332	4030007090	S.CER C1608 CH 1H 470J-T	B	121.5/17.8
C1333	4030017490	S.CER C1608 JB 1A 105K-T	B	128.6/17.2
C1334	4030007090	S.CER C1608 CH 1H 470J-T	B	124.2/17.8
C1335	4030011600	S.CER C1608 JB 1E 104K-T	B	128.6/12.4
C1336	4510008540	S.ELE EEE1CA100SR	T	127/14
C1337	4030011600	S.CER C1608 JB 1E 104K-T	B	118.2/18.6
C1338	4510008540	S.ELE EEE1CA100SR	T	122/14
C1339	4030011600	S.CER C1608 JB 1E 104K-T	B	120.2/22.6
C1340	4030011600	S.CER C1608 JB 1E 104K-T	B	123.4/26
C1351	4030018620	S.CER C1608 CH 1H 222J-T	B	96.6/38
C1352	4510008540	S.ELE EEE1CA100SR	T	93/40.5
C1353	4030011600	S.CER C1608 JB 1E 104K-T	B	96.7/42.5
C1354	4510008540	S.ELE EEE1CA100SR	T	98.5/34
C1355	4510008540	S.ELE EEE1CA100SR	T	98.5/40.5
C1356	4030011810	S.CER C1608 JB 1A 224K-T	B	101.9/31.8
C1357	4030011810	S.CER C1608 JB 1A 224K-T	B	96.8/34.4
C1360	4030011810	S.CER C1608 JB 1A 224K-T	B	105.4/31.8
C1361	4030018620	S.CER C1608 CH 1H 222J-T	B	110/38.2
C1362	4030011810	S.CER C1608 JB 1A 224K-T	B	110.1/34.6
C1363	4510008540	S.ELE EEE1CA100SR	T	109/34
C1364	4510008540	S.ELE EEE1CA100SR	T	104/34
C1365	4030011600	S.CER C1608 JB 1E 104K-T	B	109.9/41.2
C1366	4510008540	S.ELE EEE1CA100SR	T	108.5/40.5
C1367	4030011600	S.CER C1608 JB 1E 104K-T	B	70.4/52.6
C1368	4030011600	S.CER C1608 JB 1E 104K-T	B	71.4/48.3
C1369	4030006860	S.CER C1608 JB 1H 102K-T	B	73.2/43.9
C1401	4510008540	S.ELE EEE1CA100SR	T	86.5/51.7
C1402	4030011600	S.CER C1608 JB 1E 104K-T	B	87.2/55.2
C1403	4030011600	S.CER C1608 JB 1E 104K-T	B	77.3/45.8
C1404	4030011600	S.CER C1608 JB 1E 104K-T	B	77.3/52.7
C1405	4510008540	S.ELE EEE1CA100SR	T	78.4/46.3
C1421	4030018640	S.CER C2012 CH 1H 103J-T	B	77.9/39
C1422	4030018610	S.CER C1608 CH 1H 182J-T	B	78.1/35.1
C1423	4030018620	S.CER C1608 CH 1H 222J-T	B	78.1/40.5
C1425	4030018610	S.CER C1608 CH 1H 182J-T	B	76.2/34.3
C1427	4030011600	S.CER C1608 JB 1E 104K-T	T	78.2/30.2
C1429	4510008540	S.ELE EEE1CA100SR	T	76.4/34
C1433	4510008540	S.ELE EEE1CA100SR	T	81.6/34
C1435	4030011600	S.CER C1608 JB 1E 104K-T	T	80.9/30.2
C1451	4030018620	S.CER C1608 CH 1H 222J-T	B	82.7/40.3
C1452	4030017870	S.CER C1608 CH 1H 681J-T	B	82.9/36.2
C1453	4030011600	S.CER C1608 JB 1E 104K-T	B	80.8/43.1
C1454	4510009050	S.ELE EEE0GA101SR	T	79.5/40.5
C1455	4030017870	S.CER C1608 CH 1H 681J-T	B	80.8/34.7
C1471	4030018640	S.CER C2012 CH 1H 103J-T	B	90.7/40.1
C1472	4030018610	S.CER C1608 CH 1H 182J-T	B	90.5/35.9
C1473	4030018620	S.CER C1608 CH 1H 222J-T	B	90.3/41.6
C1475	4030018610	S.CER C1608 CH 1H 182J-T	B	93.7/37.8
C1476	4030011600	S.CER C1608 JB 1E 104K-T	T	89.9/32.7
C1477	4510008540	S.ELE EEE1CA100SR	T	86.9/34
C1478	4030011600	S.CER C1608 JB 1E 104K-T	B	93.1/26.5
C1479	451000			

[MAIN UNIT]

REF NO.	ORDER NO.	DESCRIPTION	M.	H/V LOCATION
C2351	4030011600	S.CER C1608 JB 1E 104K-T	B	127.2/49.8
C2401	4030011600	S.CER C1608 JB 1E 104K-T	T	125.7/59.4
C2402	4510008540	S.ELE EEE1CA100SR	T	126/56.1
C2403	4030011600	S.CER C1608 JB 1E 104K-T	T	133.2/83.5
C2404	4030011600	S.CER C1608 JB 1E 104K-T	T	133.2/65
C2405	4030011600	S.CER C1608 JB 1E 104K-T	T	133.2/70.9
C2406	4030011600	S.CER C1608 JB 1E 104K-T	T	133.2/80.7
C2407	4030011600	S.CER C1608 JB 1E 104K-T	T	126.6/75.3
C2408	4030011600	S.CER C1608 JB 1E 104K-T	T	126.7/62.8
C2409	4030011600	S.CER C1608 JB 1E 104K-T	T	126.6/83.1
C2410	4030011600	S.CER C1608 JB 1E 104K-T	T	126.2/88.9
C2411	4030011600	S.CER C1608 JB 1E 104K-T	T	124.8/69.4
C2412	4030011600	S.CER C1608 JB 1E 104K-T	T	122.8/82.3
C2413	4030011600	S.CER C1608 JB 1E 104K-T	T	122.8/62.8
C2414	4030011600	S.CER C1608 JB 1E 104K-T	T	118.8/82.3
C2415	4030011600	S.CER C1608 JB 1E 104K-T	T	115.9/61.5
C2416	4030011600	S.CER C1608 JB 1E 104K-T	T	117/82.3
C2417	4030011600	S.CER C1608 JB 1E 104K-T	T	112/62.8
C2418	4030011600	S.CER C1608 JB 1E 104K-T	T	113.1/69.4
C2419	4030011600	S.CER C1608 JB 1E 104K-T	T	113.7/72.7
C2420	4030011600	S.CER C1608 JB 1E 104K-T	T	113.7/77.4
C2421	4030011600	S.CER C1608 JB 1E 104K-T	T	113.7/82.9
C2422	4030011600	S.CER C1608 JB 1E 104K-T	T	113.7/79
C2423	4030011600	S.CER C1608 JB 1E 104K-T	T	107/80.2
C2424	4030011600	S.CER C1608 JB 1E 104K-T	T	112.3/88.9
C2425	4030011600	S.CER C1608 JB 1E 104K-T	T	107/67.7
C2426	4030011600	S.CER C1608 JB 1E 104K-T	T	107/74.8
C2427	4030011600	S.CER C1608 JB 1E 104K-T	T	107/77.5
C2428	4030011600	S.CER C1608 JB 1E 104K-T	T	107/70.5
C2429	4030011600	S.CER C1608 JB 1E 104K-T	T	107/83.3
C2430	4030011600	S.CER C1608 JB 1E 104K-T	T	134.5/72.8
C2431	4030011600	S.CER C1608 JB 1E 104K-T	B	133.9/76
C2432	4030011600	S.CER C1608 JB 1E 104K-T	T	134.5/76.4
C2433	4030011600	S.CER C1608 JB 1E 104K-T	T	133.1/62.8
C2434	4030011600	S.CER C1608 JB 1E 104K-T	T	133.2/86.7
C2435	4030011600	S.CER C1608 JB 1E 104K-T	T	130.1/62.8
C2436	4030011600	S.CER C1608 JB 1E 104K-T	T	126.6/72.7
C2437	4030011600	S.CER C1608 JB 1E 104K-T	T	131.8/88.9
C2438	4030011600	S.CER C1608 JB 1E 104K-T	T	127.4/69.4
C2439	4030011600	S.CER C1608 JB 1E 104K-T	T	126.6/71.4
C2440	4030011600	S.CER C1608 JB 1E 104K-T	T	126.6/76.6
C2441	4030011600	S.CER C1608 JB 1E 104K-T	T	126.6/79.2
C2442	4030011600	S.CER C1608 JB 1E 104K-T	T	126.6/80.5
C2443	4030011600	S.CER C1608 JB 1E 104K-T	T	126.1/69.4
C2444	4030011600	S.CER C1608 JB 1E 104K-T	T	124.6/82.3
C2445	4030011600	S.CER C1608 JB 1E 104K-T	T	120.1/62.8
C2446	4030011600	S.CER C1608 JB 1E 104K-T	T	121.5/68.6
C2447	4030011600	S.CER C1608 JB 1E 104K-T	T	121.4/82.3
C2448	4030011600	S.CER C1608 JB 1E 104K-T	T	118.8/68.6
C2449	4030011600	S.CER C1608 JB 1E 104K-T	T	120.1/82.3
C2450	4030011600	S.CER C1608 JB 1E 104K-T	T	119.9/88.9
C2451	4030011600	S.CER C1608 JB 1E 104K-T	T	114.4/69.4
C2452	4030011600	S.CER C1608 JB 1E 104K-T	T	115.7/82.3
C2453	4030011600	S.CER C1608 JB 1E 104K-T	T	113.7/71.4
C2454	4030011600	S.CER C1608 JB 1E 104K-T	T	113.7/74.8
C2455	4030011600	S.CER C1608 JB 1E 104K-T	T	113.7/76.1
C2456	4030011600	S.CER C1608 JB 1E 104K-T	T	113.7/80.3
C2457	4030011600	S.CER C1608 JB 1E 104K-T	T	133.2/68.1
C2458	4030011600	S.CER C1608 JB 1E 104K-T	T	113.7/81.6
C2459	4030011600	S.CER C1608 JB 1E 104K-T	T	109.2/62.8
C2460	4030011600	S.CER C1608 JB 1E 104K-T	T	109.5/88.9
C2461	4030011600	S.CER C1608 JB 1E 104K-T	T	107/64.9
C2462	4030011600	S.CER C1608 JB 1E 104K-T	T	107/86.8
C2463	4030011600	S.CER C1608 JB 1E 104K-T	T	132.1/57.7
C2464	4030011600	S.CER C1608 JB 1E 104K-T	T	132.2/53.5
C2465	4030006900	S.CER C1608 JB 1H 103K-T	T	134.4/52.5
C2481	4550007310	S.TAN F930J227MNNBMA	B	108/57.5
C2482	4550007310	S.TAN F930J227MNNBMA	B	103.2/57.5
C2483	4550006960	S.TAN TEESVB2 0G 107M8R	T	119.6/94.3
C3101	4510008540	S.ELE EEE1CA100SR	T	28.1/21.6
C3102	4030011600	S.CER C1608 JB 1E 104K-T	T	25.6/25.9
C3103	4030006880	S.CER C1608 JB 1H 472K-T	T	25.6/24.7
C3104	4030011600	S.CER C1608 JB 1E 104K-T	T	42.3/29.7
C3105	4030011600	S.CER C1608 JB 1E 104K-T	T	42.3/33.2
C3106	4030011600	S.CER C1608 JB 1E 104K-T	T	42.3/35.8
C3107	4030011600	S.CER C1608 JB 1E 104K-T	T	42.3/40.7
C3108	4030011600	S.CER C1608 JB 1E 104K-T	T	40.1/43.6
C3109	4030011600	S.CER C1608 JB 1E 104K-T	B	36.7/42.9
C3110	4030011600	S.CER C1608 JB 1E 104K-T	B	29.7/42.8
C3111	4030011600	S.CER C1608 JB 1E 104K-T	T	24.9/44
C3112	4030011600	S.CER C1608 JB 1E 104K-T	B	27.4/41.2
C3113	4030011600	S.CER C1608 JB 1E 104K-T	B	25.7/38.3
C3114	4030011600	S.CER C1608 JB 1E 104K-T	B	27.6/36.2
C3115	4030011600	S.CER C1608 JB 1E 104K-T	B	27.3/32.7
C3116	4030011600	S.CER C1608 JB 1E 104K-T	T	24.9/27.9
C3117	4030011600	S.CER C1608 JB 1E 104K-T	T	28/25.5
C3118	4030011600	S.CER C1608 JB 1E 104K-T	T	30/25.5
C3119	4030011600	S.CER C1608 JB 1E 104K-T	T	34/26.3
C3131	4030011600	S.CER C1608 JB 1E 104K-T	T	40.7/26.6
C3132	4030006880	S.CER C1608 JB 1H 472K-T	B	41.4/32
C3141	4030011600	S.CER C1608 JB 1E 104K-T	T	32.3/22.6
C3151	4030006900	S.CER C1608 JB 1H 103K-T	T	24.5/47.3
C3153	4030007080	S.CER C1608 CH 1H 390J-T	B	23.6/47
C3154	4030010760	S.CER C1608 CH 1H 331J-T	B	19.8/47.8
C3155	4030007090	S.CER C1608 CH 1H 470J-T	B	17.7/43.1
C3156	4030007060	S.CER C1608 CH 1H 270J-T	B	19/43.1
C3157	4030011770	S.CER C1608 CH 1H 060B-T	B	18.5/41.1
C3158	4030007120	S.CER C1608 CH 1H 820J-T	B	18.5/39.8
C3159	4030007040	S.CER C1608 CH 1H 180J-T	B	17.7/37.3
C3160	4030007120	S.CER C1608 CH 1H 820J-T	B	19.8/30.5
C3161	4030011770	S.CER C1608 CH 1H 060B-T	B	19.8/31.8
C3162	4030007090	S.CER C1608 CH 1H 470J-T	B	16.9/34.9
C3163	4030007060	S.CER C1608 CH 1H 270J-T	B	16.9/33.6
C3201	4030007110	S.CER C1608 CH 1H 680J-T	T	8.4/25.6

[MAIN UNIT]

REF NO.	ORDER NO.	DESCRIPTION	M.	H/V LOCATION
C3202	4030007080	S.CER C1608 CH 1H 390J-T	T	7.2/25.6
C3221	4550006250	S.TAN TEESVA 1A 106M8R	T	19.6/39.2
C3222	4030007110	S.CER C1608 CH 1H 680J-T	T	12/32.8
C3223	4030007000	S.CER C1608 CH 1H 090D-T	T	9/37
C3224	4030006860	S.CER C1608 JB 1H 102K-T	T	7/36.4
C3225	4030006900	S.CER C1608 JB 1H 103K-T	B	13.8/36.4
C3226	4030006900	S.CER C1608 JB 1H 103K-T	B	9.1/44.4
C3227	4030006900	S.CER C1608 JB 1H 103K-T	B	12.1/50.3
C3228	4030011600	S.CER C1608 JB 1E 104K-T	T	11.8/37.6
C3229	4030011600	S.CER C1608 JB 1E 104K-T	T	12.3/44.5
C3230	4030006900	S.CER C1608 JB 1H 103K-T	T	5.5/40.6
C3231	4030011600	S.CER C1608 JB 1E 104K-T	T	17.5/57.5
C3232	4030006900	S.CER C1608 JB 1H 103K-T	T	21/56.9
C3233	4030007170	S.CER C1608 CH 1H 221J-T	T	18.7/45.9
C3234	4030011600	S.CER C1608 JB 1E 104K-T	T	16.4/49.6
C3251	4030011600	S.CER C1608 JB 1E 104K-T	T	40/93.1
C3252	4030007090	S.CER C1608 CH 1H 470J-T	B	22.3/47
C3255	4030007170	S.CER C1608 CH 1H 221J-T	B	20/86.7
C3256	4030007170	S.CER C1608 CH 1H 221J-T	B	21.3/86.7
C3257	4030007170	S.CER C1608 CH 1H 221J-T	B	22.6/86.7
C3258	4030007170	S.CER C1608 CH 1H 221J-T	B	23.9/86.7
C3259	4030007170	S.CER C1608 CH 1H 221J-T	B	25.2/86.7
C3260	4030007170	S.CER C1608 CH 1H 221J-T	B	26.5/86.7
C3261	4030007170	S.CER C1608 CH 1H 221J-T	B	27.8/86.7
C3262	4030007170	S.CER C1608 CH 1H 221J-T	B	29.1/86.7
C3263	4030007170	S.CER C1608 CH 1H 221J-T	B	30.4/86.7
C3264	4030007170	S.CER C1608 CH 1H 221J-T	B	31.7/86.7
C3265	4030007170	S.CER C1608 CH 1H 221J-T	B	33/86.7
C3271	4030011600	S.CER C1608 JB 1E 104K-T	B	13.7/66.3
C3272	4510008540	S.ELE EEE1CA100SR	T	13.3/60.5
C3273	4030011600	S.CER C1608 JB 1E 104K-T	B	12.4/66.3
C3274	4510008540	S.ELE EEE1CA100SR	T	8.5/60.5
C3281	4030018640	S.CER C2012 CH 1H 103J-T	B	22.9/74.2
C3282	4030018640	S.CER C2012 CH 1H 103J-T	B	21.1/74.2
C3283	4030018640	S.CER C2012 CH 1H 103J-T	B	19.4/74.2
C3291	4030018620	S.CER C1608 CH 1H 222J-T	B	4.3/75.3
C3293	4030007110	S.CER C1608 CH 1H 680J-T	B	8.2/75.3
C3303	4030007130	S.CER C1608 CH 1H 101J-T	B	8.2/67
C3313	4030017810	S.CER C1608 CH 1H 102J-T	B	17.8/67
C3321	4030011600	S.CER C1608 JB 1E 104K-T	B	86/17.7
C3322	4030011600	S.CER C1608 JB 1E 104K-T	B	83.1/14.1
C3323	4030011600	S.CER C1608 JB 1E 104K-T	B	94.4/17.7
C3324	4030011600	S.CER C1608 JB 1E 104K-T	B	91.5/14.2
C3325	4030011600	S.CER C1608 JB 1E 104K-T	B	78.8/17.7
C3326	4030011600	S.CER C1608 JB 1E 104K-T	B	76.6/13.6
J1	6510007020	CNR TMP-J01X-V6		
J21	6510018961	S.CNR B2B-PH-SM4-TB (LF) (SN)	T	99.4/26.4
J41	6510019981	S.CNR 52808-1671 (1690)	T	95/5
J61	6510021721	S.CNR 30FLT-SM2-TB (LF) (SN)	T	101.2/95.8
J91	6510018961	S.CNR B2B-PH-SM4-TB (LF) (SN)	T	117.7/31
J1101	6510019971	S.CNR 52808-1071	T	58.6/55.2
J2401	6510019971	S.CNR 52808-1071	T	133.9/40.7
J3201	6510007020	CNR TMP-J01X-V6		
J3251	6510025960	S.CNR AXN330C238P	T	38.7/77.4
J3252	6510021721	S.CNR 30FLT-SM2-TB (LF) (SN)	T	24.7/95.4
EP41	6910015970	S.BEA MMZ1608B 301CT-AS	T	99.7/9.1
EP42	6910014730	S.BEA MPZ2012S331A-T	T	104.4/9.3
EP43	6910015970	S.BEA MMZ1608B 301CT-AS	T	101.1/9.1
EP44	6910014730	S.BEA MPZ2012S331A-T	T	97/10.2
EP45	6910014730	S.BEA MPZ2012S331A-T	T	94.9/10.2
EP46	6910015970	S.BEA MMZ1608B 301CT-AS	T	92.1/9.6
EP1001	6910014730	S.BEA MPZ2012S331A-T	T	54.9/61
EP1351	6910014730	S.BEA MPZ2012S331A-T	T	94.3/51.4
EP3251	6910015970	S.BEA MMZ1608B 301CT-AS	T	44.9/72.6

M.=Mounted side (T: Mounted on the Top side B: Mounted on the Bottom side) S.=Surface mount

[BPF UNIT]

REF NO.	ORDER NO.	DESCRIPTION	M.	H/V LOCATION
IC151	1130011530	S.IC CD74HC4094M96	T	7.9/42.3
IC152	1130011530	S.IC CD74HC4094M96	T	7.9/53
IC154	1160000131	S.IC TD62783AFG (5,S,EL)	B	18.9/6.8
IC155	1160000131	S.IC TD62783AFG (5,S,EL)	B	8.5/68.2
IC301	1180002770	S.REG BAJ0CC0FF-E2	T	8.5/88.2
Q151	1590003530	S.TR BCR08PN except [FRA], [AUS], [CHN]	T	10.3/64.4
	1590003930	S.TR UMD22N TR [FRA], [AUS], [CHN]	T	10.3/64.4
Q152	1590003530	S.TR BCR08PN except [FRA], [AUS], [CHN]	T	5.5/64.4
	1590003930	S.TR UMD22N TR [FRA], [AUS], [CHN]	T	5.5/64.4
Q180	1590003520	S.TR BCR108T except [FRA], [AUS], [CHN]	T	12.6/81.6
	1590003940	S.TR RN1105 (TE85L,F) [FRA], [AUS], [CHN]	T	12.6/81.6
Q181	1530002060	S.TR 2SC4081 T106 R	T	81.8/115.8
Q182	1590001870	S.TR DTA114EE TL [FRA], [AUS], [CHN]	T	85.2/112.9
	1590003570	S.TR BCR183T except [FRA], [AUS], [CHN]	T	85.2/112.9
Q183	1530002841	S.TR 2SC4116-Y (TE85R,F)	T	85/115.8
D181	1790001250	S.DIO MA2S111-(TX)	B	84.1/108.5
D182	1790000980	S.DIO MA742 (TX)	T	91.2/115.8
D201	1790001250	S.DIO MA2S111-(TX)	B	69.1/108.4
D202	1790001250	S.DIO MA2S111-(TX)	B	54.2/108.3
L1	6200005521	S.COL NLV25T-470J	B	55.2/88.8
L2	6140004090	COL LR-447		
L3	6140004230	COL LR-458		
L4	6140004230	COL LR-458		
L5	6140004230	COL LR-458		
L6	6140004090	COL LR-447		
L21	6200005521	S.COL NLV25T-470J	B	61.7/88.8
L22	6140004090	COL LR-447		
L23	6140004100	COL LR-448		
L24	6140004100	COL LR-448		
L25	6140004100	COL LR-448		
L26	6140004090	COL LR-447		
L41	6200005521	S.COL NLV25T-470J	B	68.2/88.8
L42	6140004110	COL LR-449		
L43	6140004120	COL LR-450		
L44	6140004120	COL LR-450		
L45	6140004120	COL LR-450		
L46	6140004110	COL LR-449		
L61	6200005521	S.COL NLV25T-470J	B	74.7/88.8
L62	6140004140	COL LR-451		
L63	6140004150	COL LR-452		
L64	6140004150	COL LR-452		
L65	6140004150	COL LR-452		
L66	6140004140	COL LR-451		
L81	6200007021	S.COL NLV25T-270J	B	81.2/88.8
L82	6140004160	COL LR-453		
L83	6140004180	COL LR-454		
L84	6140004180	COL LR-454		
L85	6140004180	COL LR-454		
L86	6140004160	COL LR-453		
L101	6200005011	S.COL NLV25T-100J	B	87.7/88.8
L102	6140004190	COL LR-455		
L103	6140004210	COL LR-456		
L104	6140004210	COL LR-456		
L105	6140004210	COL LR-456		
L106	6140004190	COL LR-455		
L121	6200009141	S.COL NLV25T-6R8J	B	94.2/88.8
L122	6140004220	COL LR-457		
L123	6140004160	COL LR-453		
L124	6140004160	COL LR-453		
L125	6140004160	COL LR-453		
L126	6140004220	COL LR-457		
L141	6200009141	S.COL NLV25T-6R8J	B	100.7/88.8
L142	6200008080	S.COL LQW2BHN22J03L	B	113.9/71.6
L143	6200010870	S.COL C2520C-R33G-A (0.33U)	T	113.8/72.7
L144	6200008080	S.COL LQW2BHN22J03L	B	113.9/87.3
L181	6200005521	S.COL NLV25T-470J	B	10.5/82.5
L201	6140002070	COL LR-233		
L211	6200007780	S.COL LQW2BHN22J03L	T	57.4/112.5
L221	6200005521	S.COL NLV25T-470J	B	35.8/88.8
L222	6180003740	COL SP0406-150J-PF		
L223	6180003740	COL SP0406-150J-PF		
L241	6200005521	S.COL NLV25T-470J	B	29.4/88.8
L242	6140003980	COL LR-476		
L243	6140003980	COL LR-476		
L244	6140003980	COL LR-476		
L245	6140003980	COL LR-476		
L246	6140003980	COL LR-476		
L247	6140003980	COL LR-476		
L248	6140003980	COL LR-476		
L261	6200005521	S.COL NLV25T-470J	B	42.2/88.8
L262	6140004040	COL LR-443		
L263	6140004050	COL LR-444		
L264	6140004050	COL LR-444		
L265	6140004050	COL LR-444		
L266	6140004040	COL LR-443		
L281	6200005521	S.COL NLV25T-470J	B	48.7/88.8
L282	6140004060	COL LR-445		
L283	6140004080	COL LR-446		
L284	6140004080	COL LR-446		
L285	6140004080	COL LR-446		

[BPF UNIT]

REF NO.	ORDER NO.	DESCRIPTION	M.	H/V LOCATION
L286	6140004060	COL LR-445		
R151	7030003240	S.RES ERJ3GEYJ 220 V (22)	T	28.3/10
R152	7030003240	S.RES ERJ3GEYJ 220 V (22)	T	23.4/10.8
R153	7030003240	S.RES ERJ3GEYJ 220 V (22)	T	23.4/9.2
R154	7030003240	S.RES ERJ3GEYJ 220 V (22)	T	28.3/8.4
R155	7030003240	S.RES ERJ3GEYJ 220 V (22)	T	23.4/7.6
R156	7030003240	S.RES ERJ3GEYJ 220 V (22)	T	28.3/6.8
R157	7030003240	S.RES ERJ3GEYJ 220 V (22)	T	23.4/6
R158	7030003240	S.RES ERJ3GEYJ 220 V (22)	T	28.3/5.2
R159	7030003240	S.RES ERJ3GEYJ 220 V (22)	T	12.8/60.3
R160	7030003240	S.RES ERJ3GEYJ 220 V (22)	T	14.1/60.3
R161	7030003240	S.RES ERJ3GEYJ 220 V (22)	T	14.9/63.9
R162	7030003240	S.RES ERJ3GEYJ 220 V (22)	T	16.3/63.9
R163	7030003240	S.RES ERJ3GEYJ 220 V (22)	T	12.7/77.6
R164	7030003240	S.RES ERJ3GEYJ 220 V (22)	T	15.7/77.6
R165	7030003240	S.RES ERJ3GEYJ 220 V (22)	T	14.2/77.6
R166	7030003240	S.RES ERJ3GEYJ 220 V (22)	T	11.2/77.6
R167	7030003320	S.RES ERJ3GEYJ 103 V (100)	T	7.4/64.4
R168	7030003320	S.RES ERJ3GEYJ 103 V (100)	T	12.2/64.4
R182	7030003560	S.RES ERJ3GEYJ 103 V (10 k)	T	82.4/113.7
R183	7030003320	S.RES ERJ3GEYJ 103 V (100)	T	88.2/112.7
R184	7030003680	S.RES ERJ3GEYJ 104 V (100 k)	T	88.2/113.9
R185	7030003860	S.RES ERJ3GE JPW V	T	88.2/115.1
R186	7030003480	S.RES ERJ3GEYJ 222 V (2.2 k)	T	88.2/116.3
R201	7030011700	S.RES ERJ1TYJ681U (680)	B	111.1/95.2
R202	7030010420	S.RES ERJ1TYJ 560U (56)	B	111.1/103.8
R203	7030010970	S.RES ERJ1TYJ 151U	B	120.2/94.6
R204	7030010440	S.RES ERJ1TYJ 680U (68)	B	120.2/103.2
R205	7030010610	S.RES ERJ1TYJ 470U (47)	B	102.6/115.9
R206	7030010520	S.RES ERJ1TYJ 101U (100)	B	111.2/115.9
R207	7540000260	ABS SA05C 201M		
R208	7540000260	ABS SA05C 201M		
R209	7030003680	S.RES ERJ3GEYJ 104 V (100 k)	T	48/109.6
R221	7030003640	S.RES ERJ3GEYJ 473 V (47 k)	T	29.2/32.6
R222	7030003860	S.RES ERJ3GE JPW V	T	26.6/33.4
R301	7030003360	S.RES ERJ3GEYJ 221 V (220)	T	9.4/32.5
R302	7030003360	S.RES ERJ3GEYJ 221 V (220)	T	9.4/31.3
R303	7030003360	S.RES ERJ3GEYJ 221 V (220)	T	9.4/30.1
R304	7030003360	S.RES ERJ3GEYJ 221 V (220)	T	9.4/28.9
R305	7030003640	S.RES ERJ3GEYJ 473 V (47 k)	T	13.3/31.3
R306	7030003640	S.RES ERJ3GEYJ 473 V (47 k)	T	13.3/32.5
R307	7030003640	S.RES ERJ3GEYJ 473 V (47 k)	T	13.3/30.1
R308	7030003640	S.RES ERJ3GEYJ 473 V (47 k)	T	13.3/28.9
R309	7030003360	S.RES ERJ3GEYJ 221 V (220)	T	9.4/27.7
R310	7030003360	S.RES ERJ3GEYJ 221 V (220)	T	9.4/26.5
C1	4030006880	S.CER C1608 JB 1H 472K-T	B	59.5/15
C2	4030017800	S.CER C1608 CH 1H 561J-T	B	57.4/29.5
C3	4030011330	S.CER C1608 CH 1H 391J-T	B	57.4/31.2
C4	4030007160	S.CER C1608 CH 1H 181J-T	B	54.1/39.8
C5	4030007070	S.CER C1608 CH 1H 330J-T	B	54.1/41.6
C6	4030007030	S.CER C1608 CH 1H 150J-T	B	51.7/45.5
C7	4030007120	S.CER C1608 CH 1H 820J-T	B	53.5/45.5
C8	4030007140	S.CER C1608 CH 1H 121J-T	B	54.1/53
C9	4030007100	S.CER C1608 CH 1H 560J-T	B	54.1/54.9
C10	4030007120	S.CER C1608 CH 1H 820J-T	B	53.4/57.3
C11	4030007030	S.CER C1608 CH 1H 150J-T	B	51.7/57.3
C12	4030007160	S.CER C1608 CH 1H 181J-T	B	54.1/60
C13	4030007070	S.CER C1608 CH 1H 330J-T	B	54.1/61.9
C14	4030017800	S.CER C1608 CH 1H 561J-T	B	57/84.1
C15	4030011330	S.CER C1608 CH 1H 391J-T	B	57/85.5
C16	4030006880	S.CER C1608 JB 1H 472K-T	B	55.2/91.2
C21	4030006880	S.CER C1608 JB 1H 472K-T	B	65.9/15
C22	4030010760	S.CER C1608 CH 1H 331J-T	B	67.2/29.5
C23	4030007150	S.CER C1608 CH 1H 151J-T	B	67.2/31.2
C24	4030007150	S.CER C1608 CH 1H 151J-T	B	63.8/39.8
C25	4030007060	S.CER C1608 CH 1H 270J-T	B	63.8/41.6
C26	4030007060	S.CER C1608 CH 1H 270J-T	B	63.2/45.5
C27	4030007140	S.CER C1608 CH 1H 121J-T	B	61.5/45.5
C28	4030007150	S.CER C1608 CH 1H 151J-T	B	63.9/53
C29	4030007010	S.CER C1608 CH 1H 100D-T	B	63.9/54.9
C30	4030007140	S.CER C1608 CH 1H 121J-T	B	63.2/57.4
C31	4030007060	S.CER C1608 CH 1H 270J-T	B	61.5/57.4
C32	4030007150	S.CER C1608 CH 1H 151J-T	B	63.9/60
C33	4030007060	S.CER C1608 CH 1H 270J-T	B	63.9/61.9
C34	4030010760	S.CER C1608 CH 1H 331J-T	B	66.6/83.7
C35	4030007150	S.CER C1608 CH 1H 151J-T	B	65.6/84.6
C36	4030006880	S.CER C1608 JB 1H 472K-T	B	61.7/91.2
C41	4030006880	S.CER C1608 JB 1H 472K-T	B	72.2/15
C42	4030007170	S.CER C1608 CH 1H 221J-T	B	76.8/29.5
C43	4030007170	S.CER C1608 CH 1H 221J-T	B	76.8/31.2
C44	4030007130	S.CER C1608 CH 1H 101J-T	B	73.6/39.8
C45	4030007050	S.CER C1608 CH 1H 220J-T	B	73.6/41.6
C46	4030007070	S.CER C1608 CH 1H 330J-T	B	72.9/45.5
C47	4030007080	S.CER C1608 CH 1H 390J-T	B	71.1/45.5
C48	4030007120	S.CER C1608 CH 1H 820J-T	B	73.5/53
C49	4030007050	S.CER C1608 CH 1H 220J-T	B	73.5/54.9
C50	4030007080	S.CER C1608 CH 1H 390J-T	B	72.8/57.5
C51	4030007070	S.CER C1608 CH 1H 330J-T	B	71.1/57.5
C52	4030007130	S.CER C1608 CH 1H 101J-T	B	73.5/60
C53	4030007050	S.CER C1608 CH 1H 220J-T	B	73.5/61.9
C54	4030007170	S.CER C1608 CH 1H 221J-T	B	76.4/83.6
C55	4030007170	S.CER C1608 CH 1H 221J-T	B	75.4/84.6
C56	4030006880	S.CER C1608 JB 1H 472K-T	B	68.2/91.2
C61	4030006880	S.CER C1608 JB 1H 472K-T	B	78.6/15
C62	4030007170	S.CER C1608 CH 1H 221J-T	B	86.6/29.5
C63	4030007110	S.CER C1608 CH 1H 680J-T	B	86.6/31.2
C64	4030007090	S.CER C1608 CH 1H 470J-T	B	83.4/39.8
C65	4030007090	S.CER C1608 CH 1H 470J-T	B	83.4/41.6
C66	4030007070	S.CER C1608 CH 1H 330J-T	B	82.7/45.5
C67	4030007070	S.CER C1608 CH 1H 330J-T	B	80.9/45.5

M.=Mounted side (T: Mounted on the Top side B: Mounted on the Bottom side)
S.=Surface mount

[BPF UNIT]

REF NO.	ORDER NO.	DESCRIPTION	M.	H/V LOCATION
C68	4030007120	S.CER C1608 CH 1H 820J-T	B	83.3/54.9
C69	4030007070	S.CER C1608 CH 1H 330J-T	B	80.9/57.5
C70	4030007070	S.CER C1608 CH 1H 330J-T	B	82.6/57.5
C71	4030007090	S.CER C1608 CH 1H 470J-T	B	83.3/60
C72	4030007090	S.CER C1608 CH 1H 470J-T	B	83.3/61.9
C73	4030007170	S.CER C1608 CH 1H 221J-T	B	86.2/75.5
C74	4030007110	S.CER C1608 CH 1H 680J-T	B	86.2/77.1
C75	4030006880	S.CER C1608 JB 1H 472K-T	B	74.7/91.2
C81	4030006880	S.CER C1608 JB 1H 472K-T	B	85.1/15
C82	4030007160	S.CER C1608 CH 1H 181J-T	B	96.3/29.5
C83	4030007090	S.CER C1608 CH 1H 470J-T	B	96.3/31.2
C84	4030007090	S.CER C1608 CH 1H 470J-T	B	92.9/39.8
C85	4030007040	S.CER C1608 CH 1H 180J-T	B	92.9/41.6
C86	4030007030	S.CER C1608 CH 1H 150J-T	B	92.3/45.5
C87	4030007050	S.CER C1608 CH 1H 220J-T	B	90.5/45.5
C88	4030007090	S.CER C1608 CH 1H 470J-T	B	93/54.9
C89	4030006990	S.CER C1608 CH 1H 080D-T	B	93/53
C90	4030007050	S.CER C1608 CH 1H 220J-T	B	92.3/57.4
C91	4030007030	S.CER C1608 CH 1H 150J-T	B	90.6/57.4
C92	4030007090	S.CER C1608 CH 1H 470J-T	B	93/60
C93	4030007040	S.CER C1608 CH 1H 180J-T	B	93/61.9
C94	4030007160	S.CER C1608 CH 1H 181J-T	B	95.9/75.5
C95	4030007090	S.CER C1608 CH 1H 470J-T	B	95.9/77.1
C96	4030006880	S.CER C1608 JB 1H 472K-T	B	81.2/91.2
C101	4030006880	S.CER C1608 JB 1H 472K-T	B	91.5/15
C102	4030007140	S.CER C1608 CH 1H 121J-T	B	105.7/31.2
C103	4030007040	S.CER C1608 CH 1H 180J-T	B	105.7/29.5
C104	4030007070	S.CER C1608 CH 1H 330J-T	B	102.7/39.8
C105	4030007040	S.CER C1608 CH 1H 180J-T	B	102.7/41.6
C106	4030007010	S.CER C1608 CH 1H 100D-T	B	102.1/45.5
C107	4030007070	S.CER C1608 CH 1H 330J-T	B	100.3/45.5
C108	4030007090	S.CER C1608 CH 1H 470J-T	B	102.8/53
C109	4030007070	S.CER C1608 CH 1H 330J-T	B	102.1/56.3
C110	4030007010	S.CER C1608 CH 1H 100D-T	B	100.3/56.3
C111	4030007070	S.CER C1608 CH 1H 330J-T	B	102.8/59.5
C112	4030007040	S.CER C1608 CH 1H 180J-T	B	102.8/61.5
C113	4030007140	S.CER C1608 CH 1H 121J-T	B	105.9/77.1
C114	4030007040	S.CER C1608 CH 1H 180J-T	B	105.9/75.6
C115	4030006880	S.CER C1608 JB 1H 472K-T	B	87.7/91.2
C121	4030006880	S.CER C1608 JB 1H 472K-T	B	98.1/15
C122	4030007130	S.CER C1608 CH 1H 101J-T	B	112.7/24
C123	4030007030	S.CER C1608 CH 1H 150J-T	B	112.7/25.7
C124	4030007050	S.CER C1608 CH 1H 220J-T	B	113.4/34.2
C125	4030007020	S.CER C1608 CH 1H 120J-T	B	113.4/36
C126	4030007050	S.CER C1608 CH 1H 220J-T	B	115.3/39.9
C127	4030007050	S.CER C1608 CH 1H 220J-T	B	113.4/46.7
C128	4030006980	S.CER C1608 CH 1H 070D-T	B	113.4/48.5
C129	4030007050	S.CER C1608 CH 1H 220J-T	B	115.3/51.2
C130	4030007050	S.CER C1608 CH 1H 220J-T	B	113.4/53.9
C131	4030007020	S.CER C1608 CH 1H 120J-T	B	113.4/55.8
C132	4030007130	S.CER C1608 CH 1H 101J-T	B	110.8/86.4
C133	4030007030	S.CER C1608 CH 1H 150J-T	B	110.8/84.8
C134	4030006880	S.CER C1608 JB 1H 472K-T	B	94.2/91.2
C141	4030006880	S.CER C1608 JB 1H 472K-T	B	104.5/15
C142	4030008560	S.CER C1608 CH 1H 300J-T	B	116.8/70.2
C143	4030007060	S.CER C1608 CH 1H 270J-T	B	116.9/72.9
C144	4030007130	S.CER C1608 CH 1H 101J-T	B	116.9/74.5
C145	4030007130	S.CER C1608 CH 1H 101J-T	B	116.5/84.8
C146	4030007060	S.CER C1608 CH 1H 270J-T	B	116.5/86.4
C147	4030008560	S.CER C1608 CH 1H 300J-T	B	116.5/88.5
C148	4030006880	S.CER C1608 JB 1H 472K-T	B	100.7/91.2
C151	4030011600	S.CER C1608 JB 1E 104K-T	B	10.7/16.5
C152	4030011600	S.CER C1608 JB 1E 104K-T	B	4.4/77.9
C153	4030011600	S.CER C1608 JB 1E 104K-T	T	14.3/39.9
C154	4030011600	S.CER C1608 JB 1E 104K-T	T	13.9/50.8
C181	4030006880	S.CER C1608 JB 1H 472K-T	B	85.4/108.5
C182	4030010760	S.CER C1608 CH 1H 331J-T	T	94/114.3
C183	4030007050	S.CER C1608 CH 1H 220J-T	T	91.2/113.9
C184	4030009520	S.CER C1608 CH 1H 020B-T	T	91.2/112.7
C185	4030010210	S.CER C3216 JB 1C 105M-T	B	86.2/112.9
C186	4030011600	S.CER C1608 JB 1E 104K-T	B	86.2/105.3
C201	4030006880	S.CER C1608 JB 1H 472K-T	B	107/91.2
C202	4030006880	S.CER C1608 JB 1H 472K-T	B	116/91.2
C203	4030006880	S.CER C1608 JB 1H 472K-T	B	99.9/111.7
C204	4030006880	S.CER C1608 JB 1H 472K-T	B	70.4/108.4
C205	4030006880	S.CER C1608 JB 1H 472K-T	B	55.5/108.3
C211	4030007020	S.CER C1608 CH 1H 120J-T	T	61/113.3
C212	4030007020	S.CER C1608 CH 1H 120J-T	T	59.8/113.3
C213	4030011770	S.CER C1608 CH 1H 060B-T	T	55/113.3
C214	4030011770	S.CER C1608 CH 1H 060B-T	T	53.8/113.3
C215	4030011770	S.CER C1608 CH 1H 060B-T	T	52.6/113.3
C216	4030011770	S.CER C1608 CH 1H 060B-T	T	51.4/113.3
C221	4030006880	S.CER C1608 JB 1H 472K-T	B	40.1/15
C222	4030018610	S.CER C1608 CH 1H 182J-T	T	27.5/38.1
C223	4030018510	S.CER C2012 CH 1H 682J-T	T	28.3/53.8
C224	4030018640	S.CER C2012 CH 1H 103J-T	T	28.3/55.9
C225	4030018610	S.CER C1608 CH 1H 182J-T	T	27.4/71.5
C226	4030006880	S.CER C1608 JB 1H 472K-T	B	35.8/91.2
C227	4030018640	S.CER C2012 CH 1H 103J-T	T	27.6/36.1
C228	4030018640	S.CER C2012 CH 1H 103J-T	T	27.6/73.5
C241	4030006880	S.CER C1608 JB 1H 472K-T	B	33.7/15
C242	4030017810	S.CER C1608 CH 1H 102J-T	B	20.4/30.4
C243	4030007130	S.CER C1608 CH 1H 101J-T	B	21.2/39.8
C244	4030007130	S.CER C1608 CH 1H 101J-T	B	21.2/41.6
C245	4030017810	S.CER C1608 CH 1H 102J-T	B	21.9/45.5
C246	4030018610	S.CER C1608 CH 1H 182J-T	B	23.7/45.5
C247	4030017810	S.CER C1608 CH 1H 102J-T	B	21.2/54.9
C248	4030018600	S.CER C1608 CH 1H 152J-T	B	21.2/53
C249	4030017810	S.CER C1608 CH 1H 102J-T	B	23.7/57.3
C250	4030018610	S.CER C1608 CH 1H 182J-T	B	21.9/57.3
C251	4030007130	S.CER C1608 CH 1H 101J-T	B	21.2/61.9
C252	4030007130	S.CER C1608 CH 1H 101J-T	B	21.2/60
C253	4030017810	S.CER C1608 CH 1H 102J-T	B	20.8/83
C254	4030006880	S.CER C1608 JB 1H 472K-T	B	29.4/91.2

[BPF UNIT]

REF NO.	ORDER NO.	DESCRIPTION	M.	H/V LOCATION
C261	4030006880	S.CER C1608 JB 1H 472K-T	B	46.7/15
C262	4030017810	S.CER C1608 CH 1H 102J-T	B	38.3/29.5
C263	4030017810	S.CER C1608 CH 1H 102J-T	B	38.3/31.2
C264	4030010760	S.CER C1608 CH 1H 331J-T	B	34.9/39.8
C265	4030007140	S.CER C1608 CH 1H 121J-T	B	34.9/41.6
C266	4030007160	S.CER C1608 CH 1H 181J-T	B	34.2/45.6
C267	4030007060	S.CER C1608 CH 1H 270J-T	B	32.4/45.6
C268	4030010760	S.CER C1608 CH 1H 331J-T	B	34.8/53
C269	4030007090	S.CER C1608 CH 1H 470J-T	B	34.8/54.9
C270	4030007160	S.CER C1608 CH 1H 181J-T	B	34.1/57.4
C271	4030007060	S.CER C1608 CH 1H 270J-T	B	32.5/57.4
C272	4030010760	S.CER C1608 CH 1H 331J-T	B	34.8/60
C273	4030007140	S.CER C1608 CH 1H 121J-T	B	34.8/61.9
C274	4030017810	S.CER C1608 CH 1H 102J-T	B	37.8/39.8
C275	4030017810	S.CER C1608 CH 1H 102J-T	B	37.8/85.3
C276	4030006880	S.CER C1608 JB 1H 472K-T	B	42.2/91.2
C281	4030006880	S.CER C1608 JB 1H 472K-T	B	53.1/15
C282	4030017800	S.CER C1608 CH 1H 561J-T	B	47.9/29.5
C283	4030010760	S.CER C1608 CH 1H 331J-T	B	47.9/31.2
C284	4030010760	S.CER C1608 CH 1H 331J-T	B	44.5/39.8
C285	4030007080	S.CER C1608 CH 1H 390J-T	B	44.5/41.6
C286	4030007100	S.CER C1608 CH 1H 560J-T	B	42.1/45.5
C287	4030010760	S.CER C1608 CH 1H 331J-T	B	43.9/45.5
C288	4030010760	S.CER C1608 CH 1H 331J-T	B	44.5/53
C289	4030007090	S.CER C1608 CH 1H 470J-T	B	44.5/54.9
C290	4030010760	S.CER C1608 CH 1H 331J-T	B	43.8/57.4
C291	4030007100	S.CER C1608 CH 1H 560J-T	B	42.1/57.4
C292	4030010760	S.CER C1608 CH 1H 331J-T	B	44.5/60
C293	4030007080	S.CER C1608 CH 1H 390J-T	B	44.5/61.9
C294	4030017800	S.CER C1608 CH 1H 561J-T	B	47.5/84
C295	4030010760	S.CER C1608 CH 1H 331J-T	B	47.5/85.4
C296	4030006880	S.CER C1608 JB 1H 472K-T	B	48.7/91.2
C301	4030011600	S.CER C1608 JB 1E 104K-T	T	13.4/24
C302	4550003210	S.TAN TEESVD21D226M12R	T	7/82.1
C303	4030011600	S.CER C1608 JB 1E 104K-T	T	3/86.8
C304	4030011600	S.CER C1608 JB 1E 104K-T	T	3/89.6
C305	4510008540	S.ELE EEE1CA100SR	T	7/94.1
RL1	6330001721	RLY ATN207-K1		
RL2	6330001721	RLY ATN207-K1		
RL21	6330001721	RLY ATN207-K1		
RL22	6330001721	RLY ATN207-K1		
RL41	6330001721	RLY ATN207-K1		
RL42	6330001721	RLY ATN207-K1		
RL61	6330001721	RLY ATN207-K1		
RL62	6330001721	RLY ATN207-K1		
RL81	6330001721	RLY ATN207-K1		
RL82	6330001721	RLY ATN207-K1		
RL101	6330001721	RLY ATN207-K1		
RL102	6330001721	RLY ATN207-K1		
RL121	6330001721	RLY ATN207-K1		
RL122	6330001721	RLY ATN207-K1		
RL141	6330001721	RLY ATN207-K1		
RL142	6330001721	RLY ATN207-K1		
RL181	6330001721	RLY ATN207-K1		
RL201	6330001721	RLY ATN207-K1		
RL202	6330001721	RLY ATN207-K1		
RL203	6330001721	RLY ATN207-K1		
RL204	6330001721	RLY ATN207-K1		
RL205	6330001721	RLY ATN207-K1		
RL221	6330001721	RLY ATN207-K1		
RL222	6330001721	RLY ATN207-K1		
RL241	6330001721	RLY ATN207-K1		
RL242	6330001721	RLY ATN207-K1		
RL261	6330001721	RLY ATN207-K1		
RL262	6330001721	RLY ATN207-K1		
RL281	6330001721	RLY ATN207-K1		
RL282	6330001721	RLY ATN207-K1		
J1	6510020521	S.CNR 52808-1271 (1290)	T	4.5/26.9
J11	6510007020	CNR TMP-J01X-V6		
J501	6510007020	CNR TMP-J01X-V6		
J502	6450001800	CNR JPJ1044-01-010		
W1	7120000470	JMP ERDS2T0		
EP301	6910014730	S.BEA MPZ2012S331A-T	T	10.4/20.6
EP302	6910018270	S.BEA MMZ1608Y301CT	T	10.8/24

M.=Mounted side (T: Mounted on the Top side B: Mounted on the Bottom side)
S.=Surface mount

[RF-A UNIT]

REF NO.	ORDER NO.	DESCRIPTION	M.	H/V LOCATION
IC130	1190002010	S.IC SD5400CY <TOMO>	T	67.8/92.9
IC210	1110006180	S.IC UPG2009TB-E3	T	66.5/65.4
IC311	1180000421	S.IC TA78L05F (TE12R,F)	B	145/5.3
IC380	1190002110	S.IC NJG1519KC1-TE3-#ZZZB	T	29.3/72.4
IC500	1190002110	S.IC NJG1519KC1-TE3-#ZZZB	T	27/32
IC620	1180002770	S.REG BAJ0CC0FP-E2	B	88.8/5.7
IC701	1110006180	S.IC UPG2009TB-E3	T	63.1/5.7
IC800	1130011530	S.IC CD74HC4094M96	T	149.7/48.7
IC801	1130011530	S.IC CD74HC4094M96	T	149.7/40.6
IC850	1180000720	S.IC AN79L05M-(E1)	B	155.2/14.9
IC950	1110005100	S.IC NJM072BM-TE1-#ZZZB	T	132/17.7
IC951	1110005420	S.IC BA15532F-E2	T	131.6/31.5
IC1000	1110006100	S.IC NJM5534MD-TE1-#ZZZB	B	142.3/32.7
IC1030	1110000960	S.IC NJM4458M-TE1-#FMZB	B	74.5/43.7
IC1031	1110006750	S.IC TK14570LTL-G	T	73.3/34.3
IC1032	1120002830	S.IC NJM2125F-TE1-#FZZB	B	73.7/32
IC1060	1110006190	S.IC NJM074M-TE1-#ZZZB	B	126.4/32.2
IC1090	1110006100	S.IC NJM5534MD-TE1-#ZZZB	B	110/45
IC1091	1110006100	S.IC NJM5534MD-TE1-#ZZZB	B	122.2/17.7
IC1311	1130011921	S.IC TC74LCX00F (EL,F)	T	95.9/28.2
IC1312	1130005971	S.IC TC74HC4053AF (F,S)	T	142.5/17.2
Q20	1590003530	S.TR BCR08PN	T	114.8/59.4
		except [FRA], [AUS], [CHN]		
	1590003930	S.TR UMD22N TR	T	114.8/59.4
		[FRA], [AUS], [CHN]		
Q21	1590003530	S.TR BCR08PN	T	111.2/59.4
		except [FRA], [AUS], [CHN]		
	1590003930	S.TR UMD22N TR	T	111.2/59.4
		[FRA], [AUS], [CHN]		
Q22	1590003530	S.TR BCR08PN	T	115.9/74.3
		except [FRA], [AUS], [CHN]		
	1590003930	S.TR UMD22N TR	T	115.9/74.3
		[FRA], [AUS], [CHN]		
Q30	1530003851	S.TR 2SC5551F-TD-E	B	131.2/63.4
Q50	1530003851	S.TR 2SC5551F-TD-E	B	128/91.5
Q70	1530003851	S.TR 2SC5551F-TD-E	B	128/76.5
Q150	1590003520	S.TR BCR108T	T	32.9/81.4
		except [FRA], [AUS], [CHN]		
	1590003940	S.TR RN1105 (TE85L,F)	T	32.9/81.4
		[FRA], [AUS], [CHN]		
Q151	1550000090	S.FET RSQ035P03TR	B	37.8/86.5
Q170	1530003860	TR 2SC3950D	T	
Q190	1530003860	TR 2SC3950D	T	
Q191	1530003841	S.TR 2SC5501-4-TR-E	T	25.2/84.1
Q321	1560000641	S.FET 2SK1740-4/5-TB-E	T	60.7/57.5
Q350	1590003530	S.TR BCR08PN	T	56.8/38.9
		except [FRA], [AUS], [CHN]		
	1590003930	S.TR UMD22N TR	T	56.8/38.9
		[FRA], [AUS], [CHN]		
Q351	1590003530	S.TR BCR08PN	T	56.8/35.1
		except [FRA], [AUS], [CHN]		
	1590003930	S.TR UMD22N TR	T	56.8/35.1
		[FRA], [AUS], [CHN]		
Q550	1530003841	S.TR 2SC5501-4-TR-E	B	7.2/17.4
Q580	1530003021	S.TR 2SC4402-3-TL-E	B	19.4/12.8
Q581	1530003021	S.TR 2SC4402-3-TL-E	B	14.4/9.6
Q640	1560000641	S.FET 2SK1740-4/5-TB-E	B	38.6/3
Q641	1560000641	S.FET 2SK1740-4/5-TB-E	B	38.6/6.2
Q671	1560000641	S.FET 2SK1740-4/5-TB-E	T	57.8/6.8
Q730	1530003151	S.TR 2SC4673D-TD-E	T	42.5/20.3
Q901	1590003520	S.TR BCR108T	B	141.4/15.3
		except [FRA], [AUS], [CHN]		
	1590003940	S.TR RN1105 (TE85L,F)	B	141.4/15.3
		[FRA], [AUS], [CHN]		
Q1011	1530003431	S.TR 2SC5226-4-TL-E	T	68.7/11.1
Q1021	1530003431	S.TR 2SC5226-4-TL-E	T	68/23.8
Q1200	1530003450	S.TR 2SC4835-R (TX)	B	95.3/45.9
Q1201	1530003450	S.TR 2SC4835-R (TX)	B	98.1/10.8
Q1310	1530002601	S.TR 2SC4215-O (TE85R,F)	B	99.7/28.2
D1	1750000581	S.DIO 1SV307 (TPH3,F)	T	110.5/90.2
D20	1750000550	S.DIO 1SS355 TE-17	B	148/95.9
D21	1750000550	S.DIO 1SS355 TE-17	B	148.3/80.6
D90	1750000550	S.DIO 1SS355 TE-17	B	105/80.8
D91	1750000550	S.DIO 1SS355 TE-17	B	105.2/97.3
D460	1750000581	S.DIO 1SV307 (TPH3,F)	T	19/71.7
D461	1750000581	S.DIO 1SV307 (TPH3,F)	T	19/73.8
D462	1750000581	S.DIO 1SV307 (TPH3,F)	T	18.6/34.3
D463	1750000581	S.DIO 1SV307 (TPH3,F)	T	18.6/32.3
D600	1750000431	S.DIO HSB88WSTR-E	T	42.1/12.5
D850	1790001670	S.DIO RB706F-40T106	B	113.8/9
D851	1790001670	S.DIO RB706F-40T106	T	113.6/14.2
D950	1750000550	S.DIO 1SS355 TE-17	T	132.5/24.4
D951	1750000550	S.DIO 1SS355 TE-17	T	132.5/22.6
D1021	1790001240	S.DIO MA25728-(TX)	B	67.7/25.4
D1250	1750000431	S.DIO HSB88WSTR-E	T	92.1/38.3
D1251	1750000431	S.DIO HSB88WSTR-E	T	92/18.3
FI400	2030000530	S.MLH FL-384 (58.7 MHz)	T	44.2/51.5
FI420	2030000540	S.MLH FL-385 (58.7 MHz)	T	35.6/53.7
FI440	2030000550	S.MLH FL-386 (58.7 MHz)	T	27/51.5
FI460	2030000560	S.MLH FL-387 (58.7 MHz)	T	18.4/53.7
FI480	2030000570	S.MLH FL-388 (58.7 MHz)	T	9.8/51.5
FI702	2020002430	CER SFVLF10M7LF00-B0		
FI1011	2020001170	S.CER SFECA10.7MS2-A-TC (SFECA10.7MS2)	T	75/17.8
FI1030	2020001170	S.CER SFECA10.7MS2-A-TC (SFECA10.7MS2)	T	68.6/28.8

[RF-A UNIT]

REF NO.	ORDER NO.	DESCRIPTION	M.	H/V LOCATION
L20	6200009690	S.COL LQH43CN101K03L	T	127/56.4
L21	6200009690	S.COL LQH43CN101K03L	T	120.4/65.7
L30	6140003890	COL LR-488		
L31	6180001000	COL LAL 04NA 102K		
L32	6200010680	S.COL C2520C-R22G-A (0.22U)	T	111/72.8
L33	6140003900	COL LR-489		
L50	6200007790	S.COL LQW2BHN15J03L	B	143.7/76.3
L51	6140003800	COL LR-439		
L52	6190001650	COL ELC06D102E		
L53	6140003880	COL LR-486		
L54	6140003800	COL LR-439		
L70	6190001650	COL ELC06D102E		
L71	6140003880	COL LR-486		
L110	6200010740	S.COL C2520C-R27G-A	T	98.2/86.4
L111	6200010740	S.COL C2520C-R27G-A	T	95.4/82.8
L112	6200007780	S.COL LQW2BHN12J03L	B	86.1/91.7
L113	6200007780	S.COL LQW2BHN12J03L	B	83.5/91.7
L114	6200010740	S.COL C2520C-R27G-A	T	92.6/79.2
L131	6200010730	S.COL C2520C-68NG-A	T	83.1/87.6
L132	6190001631	COL #E544EN-100021		
L133	6200011410	S.COL C2520C-82NG-A	T	67.5/76.6
L134	6200010860	S.COL C2520C-R10G-A (0.1U)	T	66.2/70.3
L136	6140003920	COL LR-491		
L138	6140003960	COL LR-495		
L150	6180003570	COL SP0406-3R3K-6		
L170	6200010740	S.COL C2520C-R27G-A	T	50.8/94.8
L190	6200011450	S.COL C2520C-R39G-A	T	30.9/94.4
L191	6140003910	COL LR-490		
L211	6200010740	S.COL C2520C-R27G-A	T	71.5/62.3
L230	6140004660	COL LR-524		
L290	6200010650	S.COL C2520C-R12G-A (0.12U)	T	87.8/65.8
L291	6200010860	S.COL C2520C-R10G-A (0.1U)	T	84.1/62.7
L292	6200010670	S.COL C2520C-R18G-A (0.18U)	T	80.9/59
L293	6200010680	S.COL C2520C-R22G-A (0.22U)	T	75.8/55.7
L321	6200005011	S.COL NLV25T-100J	T	63.1/61.3
L322	6140002810	S.COL LR-317 (T	69.1/54.9
L323	6200011220	S.COL C2012C-R47J-A	T	63/53.3
L400	6200010960	S.COL C2520C-R47G-A (0.47U)	T	44.3/64.6
L401	6200010960	S.COL C2520C-R47G-A (0.47U)	T	44.2/41.7
L402	6200010960	S.COL C2520C-R47G-A (0.47U)	T	44.3/61.4
L403	6200010960	S.COL C2520C-R47G-A (0.47U)	T	44.2/38.2
L420	6200010770	S.COL C2520C-R68G-A	T	35.4/66.9
L421	6200010770	S.COL C2520C-R68G-A	T	35.8/43.8
L422	6200010780	S.COL C2520C-1R0G-A	T	35.4/63.6
L423	6200010780	S.COL C2520C-1R0G-A	T	35.8/40.6
L440	6200010450	S.COL C2520C-R82G-A (0.82U)	T	26.9/64.4
L441	6200010450	S.COL C2520C-R82G-A (0.82U)	T	26.9/41.6
L442	6200010440	S.COL C2520C-1R2G-A (1.2U)	T	26.9/61.3
L443	6200010440	S.COL C2520C-1R2G-A (1.2U)	T	26.9/38.5
L460	6200010440	S.COL C2520C-1R2G-A (1.2U)	T	18/66.6
L461	6200010440	S.COL C2520C-1R2G-A (1.2U)	T	18/43.8
L462	6200010440	S.COL C2520C-1R2G-A (1.2U)	T	18/63.4
L463	6200010440	S.COL C2520C-1R2G-A (1.2U)	T	18/40.6
L464	6200003711	S.COL NLV25T-2R7J	T	22.3/71.7
L465	6200003711	S.COL NLV25T-2R7J	T	21.9/32.5
L480	6200010810	S.COL C2520C-2R2G-A	T	10.5/61.2
L481	6200010810	S.COL C2520C-2R2G-A	T	9.2/41.7
L482	6200010680	S.COL C2520C-R22G-A (0.22U)	T	10.5/64.7
L483	6200010680	S.COL C2520C-R22G-A (0.22U)	T	9.2/38.4
L484	6200003711	S.COL NLV25T-2R7J	B	9.9/73.8
L485	6200003711	S.COL NLV25T-2R7J	B	10.3/71.2
L486	6200003711	S.COL NLV25T-2R7J	B	11.4/34.3
L487	6200003711	S.COL NLV25T-2R7J	B	15.6/36.2
L520	6200007790	S.COL LQW2BHN15J03L	T	19.1/25.4
L521	6200007740	S.COL LQW2BHN47NJ03L	T	14.8/24.1
L550	6140003930	COL LR-492		
L580	6190001740	COL #E544EN-100027		
L600	6140003210	S.COL LR-358 (T	35.1/12.5
L601	6140003210	S.COL LR-358 (T	49.1/12.5
L611	6200010770	S.COL C2520C-R68G-A	T	34.9/7.8
L612	6200011450	S.COL C2520C-R39G-A	T	38.6/3.2
L613	6200010740	S.COL C2520C-R27G-A	T	31.3/5.8
L620	6200005521	S.COL NLV25T-470J	T	23.7/3.4
L640	6200010970	S.COL C2520C-1R8G-A (1.8U)	T	48/5.1
L641	6200002041	S.COL NLV25T-101J	B	32.2/5.5
L642	6200002041	S.COL NLV25T-101J	B	52.3/6.8
L702	6200010950	S.COL C2520C-1R5G-A (1.5U)	T	79.5/5.8
L703	6200010970	S.COL C2520C-1R8G-A (1.8U)	T	68.9/3.7
L704	6200010810	S.COL C2520C-2R2G-A	T	77.5/10.6
L730	620001920	S.COL ELJNC R15K-F	T	51.2/20.9
L731	6200003290	S.COL ELJNC R12K-F	T	50.5/25.2
L732	6200003290	S.COL ELJNC R12K-F	T	44.5/24.7
L805	6200005011	S.COL NLV25T-100J	T	156.5/36
L1011	6200003711	S.COL NLV25T-2R7J	T	62.7/79.8
L1012	6200005011	S.COL NLV25T-100J	T	68.8/14.5
L1013	6200005011	S.COL NLV25T-100J	B	65.5/15.4
L1021	6200003941	S.COL NLV25T-5R6J	T	71.9/21.9
L1022	6200002861	S.COL NLV25T-4R7J	T	64.7/23.2
L1023	6200005011	S.COL NLV25T-100J	B	64.9/20.1
L1030	6190001750	S.COL #836BN-0541TY	T	63.9/36.8
L1032	6200005011	S.COL NLV25T-100J	B	62/34.4
L1200	6200003520	S.COL ELJFB 102K-F	T	99.7/45.5
L1250	6140003210	S.COL LR-358 (T	99.1/38.3
L1251	6140003210	S.COL LR-358 (T	99/18.3
L1252	6140003210	S.COL LR-358 (T	85.1/38.3
L1253	6140003210	S.COL LR-358 (T	85/18.3
L1310	6200003261	S.COL NLV32T-101J	T	80.1/30.2
L1311	6200003261	S.COL NLV32T-101J	B	88.8/32.7
L1312	6200010800	S.COL C2520C-4R7G-A	T	88.8/25.1
L1313	6200003261	S.COL NLV32T-101J	B	88.8/25.1
R1	7030003640	S.RES ERJ3GEYJ 473 V (47 k)	T	114.1/91.7
R2	7030003480	S.RES ERJ3GEYJ 222 V (2.2 k)	T	112.1/90.2

M.=Mounted side (T: Mounted on the Top side B: Mounted on the Bottom side) S.=Surface mount

[RF-A UNIT]

REF NO.	ORDER NO.	DESCRIPTION	M.	H/V LOCATION
R3	7030003560	S.RES ERJ3GEYJ 103 V (10 k)	T	114.2/88.1
R4	7030003620	S.RES ERJ3GEYJ 333 V (33 k)	T	114.2/89.3
R20	7030003320	S.RES ERJ3GEYJ 101 V (100)	T	143.5/73.2
R21	7030003320	S.RES ERJ3GEYJ 101 V (100)	T	145.1/96.5
R22	7030003320	S.RES ERJ3GEYJ 101 V (100)	B	104.6/82.4
R23	7030003320	S.RES ERJ3GEYJ 101 V (100)	T	104.4/97.8
R30	7030003200	S.RES ERJ3GEYJ 100 V (10)	B	140.3/66.8
R31	7030003530	S.RES ERJ3GEYJ 562 V (5.6 k)	T	144/59.5
R32	7030003440	S.RES ERJ3GEYJ 102 V (1 k)	T	144/60.7
R33	7030004030	S.RES ERJ3GEYJ 5R6 V (5.6)	B	131/66.8
R34	7030003280	S.RES ERJ3GEYJ 470 V (47)	B	138.8/62.7
R35	7030003240	S.RES ERJ3GEYJ 220 V (22)	T	133.8/58.9
R50	7030003280	S.RES ERJ3GEYJ 470 V (47)	T	139.1/97.6
R51	7030003200	S.RES ERJ3GEYJ 100 V (10)	B	132.5/91.1
R53	7030003440	S.RES ERJ3GEYJ 102 V (1 k)	B	129.5/84.3
R54	7030003280	S.RES ERJ3GEYJ 470 V (47)	B	123.7/93.8
R55	7030003510	S.RES ERJ3GEYJ 392 V (3.9 k)	B	124.6/87.5
R70	7030003280	S.RES ERJ3GEYJ 470 V (47)	B	139.8/76
R71	7030003200	S.RES ERJ3GEYJ 100 V (10)	B	132.5/76.5
R73	7030003440	S.RES ERJ3GEYJ 102 V (1 k)	B	130/69.4
R74	7030003280	S.RES ERJ3GEYJ 470 V (47)	B	123.8/79.1
R75	7030003510	S.RES ERJ3GEYJ 392 V (3.9 k)	B	124.5/72.7
R110	7030000010	S.RES MCR10EZHZ JPW (000)	T	101.1/88.8
R111	7030003280	S.RES ERJ3GEYJ 470 V (47)	B	88.6/90.7
R130	7030000010	S.RES MCR10EZHZ JPW (000)	T	85.8/87.9
R131	7030003800	S.RES ERJ3GEYJ 105 V (1 M)	T	74.3/94.9
R132	7030003520	S.RES ERJ3GEYJ 472 V (4.7 k)	T	80/97
R134	7030003250	S.RES ERJ3GEYJ 270 V (27)	T	70.9/77.3
R135	7030003680	S.RES ERJ3GEYJ 104 V (100 k)	T	69.8/98.4
R136	7310004860	S.TRI EVM-3YSX50 B53 (502)	T	85.5/94.6
R137	7030003680	S.RES ERJ3GEYJ 104 V (100 k)	B	67/96.6
R139	7030003520	S.RES ERJ3GEYJ 472 V (4.7 k)	T	78/95.2
R141	7030007680	S.RES ERJ8ENF 47R0V (47)	T	62.4/98.2
R142	7030003400	S.RES ERJ3GEYJ 471 V (470)	B	94.7/77.7
R143	7030007680	S.RES ERJ8ENF 47R0V (47)	T	61/93
R150	7030003560	S.RES ERJ3GEYJ 103 V (10 k)	B	35.4/86.5
R151	7030003440	S.RES ERJ3GEYJ 102 V (1 k)	T	36.6/82.1
R161	7030003640	S.RES ERJ3GEYJ 473 V (47 k)	T	83/94.8
R170	7030009620	S.RES ERJ12YJ120U (12)	B	49.6/95.7
R171	7030003280	S.RES ERJ3GEYJ 470 V (47)	T	48.4/93
R173	7030007180	S.RES ERJ12YJ150U (15)	B	40.4/92.8
R175	7030004040	S.RES ERJ3GEYJ 4R7 V (4.7)	T	41.9/94.1
R176	7030006240	S.RES ERJ12YJ181U (180)	B	34.2/93.1
R177	7030007850	S.RES ERJ8ENF 1001V (1 k)	T	34.1/91.2
R190	7030004040	S.RES ERJ3GEYJ 4R7 V (4.7)	T	33.8/93.4
R191	7030003480	S.RES ERJ3GEYJ 222 V (2.2 k)	T	35/94.8
R192	7030003470	S.RES ERJ3GEYJ 182 V (1.8 k)	T	37.1/95.5
R193	7030006070	S.RES ERJ12YJ101U (100)	B	26.6/93
R194	7030004040	S.RES ERJ3GEYJ 4R7 V (4.7)	T	27.1/94.4
R195	7030003280	S.RES ERJ3GEYJ 470 V (47)	T	36.1/87.1
R196	7030003480	S.RES ERJ3GEYJ 222 V (2.2 k)	T	28.8/81.5
R197	7030003460	S.RES ERJ3GEYJ 152 V (1.5 k)	T	27.6/81.5
R198	7030003420	S.RES ERJ3GEYJ 681 V (680)	B	25/87.7
R199	7030003200	S.RES ERJ3GEYJ 100 V (10)	T	25.1/86.1
R200	7030003280	S.RES ERJ3GEYJ 470 V (47)	T	24.4/91
R210	7030003440	S.RES ERJ3GEYJ 102 V (1 k)	B	63.7/64
R211	7030003440	S.RES ERJ3GEYJ 102 V (1 k)	B	65.6/61.9
R214	7030003280	S.RES ERJ3GEYJ 470 V (47)	B	52.3/63.2
R290	7030003370	S.RES ERJ3GEYJ 271 V (270)	T	92.1/61.6
R291	7030003230	S.RES ERJ3GEYJ 180 V (18)	T	91.3/63.5
R292	7030003370	S.RES ERJ3GEYJ 271 V (270)	T	90.6/61.6
R321	7030003320	S.RES ERJ3GEYJ 101 V (100)	T	60.5/60.2
R322	7030003320	S.RES ERJ3GEYJ 101 V (100)	B	67.7/57.6
R324	7030003860	S.RES ERJ3GE JPW V	T	69.1/59.8
R350	7030003560	S.RES ERJ3GEYJ 103 V (10 k)	T	56.8/37
R351	7030003560	S.RES ERJ3GEYJ 103 V (10 k)	T	56.8/33.2
R380	7030003440	S.RES ERJ3GEYJ 102 V (1 k)	B	29.4/71.4
R381	7030003440	S.RES ERJ3GEYJ 102 V (1 k)	B	26.6/70.1
R382	7030003440	S.RES ERJ3GEYJ 102 V (1 k)	B	26.6/75.3
R383	7030003440	S.RES ERJ3GEYJ 102 V (1 k)	B	29.5/76.9
R460	7030003400	S.RES ERJ3GEYJ 471 V (470)	T	25.4/72.2
R461	7030003400	S.RES ERJ3GEYJ 471 V (470)	T	22.4/35
R480	7030003380	S.RES ERJ3GEYJ 331 V (330)	B	13/73.8
R481	7030003380	S.RES ERJ3GEYJ 331 V (330)	B	13.6/71.7
R482	7030003380	S.RES ERJ3GEYJ 331 V (330)	B	14.7/34.3
R483	7030003380	S.RES ERJ3GEYJ 331 V (330)	B	14.7/32.3
R484	7030003320	S.RES ERJ3GEYJ 101 V (100)	B	6.5/74.2
R485	7030003320	S.RES ERJ3GEYJ 101 V (100)	B	7.1/70.8
R486	7030003320	S.RES ERJ3GEYJ 101 V (100)	B	18.1/36.4
R487	7030003320	S.RES ERJ3GEYJ 101 V (100)	B	9/35.8
R500	7030003440	S.RES ERJ3GEYJ 102 V (1 k)	B	29.9/35
R501	7030003440	S.RES ERJ3GEYJ 102 V (1 k)	B	29.9/30.6
R502	7030003440	S.RES ERJ3GEYJ 102 V (1 k)	B	24/30.7
R503	7030003440	S.RES ERJ3GEYJ 102 V (1 k)	B	24/35
R550	7030003440	S.RES ERJ3GEYJ 102 V (1 k)	B	7.2/19.6
R551	7030003400	S.RES ERJ3GEYJ 471 V (470)	B	6.2/14
R552	7030003340	S.RES ERJ3GEYJ 151 V (150)	B	8/14
R553	7030003520	S.RES ERJ3GEYJ 472 V (4.7 k)	B	4.4/14
R554	7030003550	S.RES ERJ3GEYJ 822 V (8.2 k)	B	3.6/18.2
R555	7030003200	S.RES ERJ3GEYJ 100 V (10)	B	10.2/14.7
R556	7030003300	S.RES ERJ3GEYJ 680 V (68)	B	14.4/16.4
R580	7030003200	S.RES ERJ3GEYJ 100 V (10)	B	13.8/12
R581	7030003520	S.RES ERJ3GEYJ 472 V (4.7 k)	B	10.7/8.4
R582	7030003550	S.RES ERJ3GEYJ 822 V (8.2 k)	B	14/6.8
R583	7030003690	S.RES ERJ3GEYJ 124 V (120 k)	B	12.3/3.8
R584	7030003200	S.RES ERJ3GEYJ 100 V (10)	B	22.8/12.8
R585	7030003200	S.RES ERJ3GEYJ 100 V (10)	B	16.6/8.9
R587	7030003280	S.RES ERJ3GEYJ 470 V (47)	B	18.7/5.7
R588	7510001671	S.TMR NTCG16 4BH 103JT	B	14/5.2
R611	7030003280	S.RES ERJ3GEYJ 470 V (47)	T	32.4/2.3
R620	7030003320	S.RES ERJ3GEYJ 101 V (100)	T	26.9/3.2
R641	7030003280	S.RES ERJ3GEYJ 470 V (47)	B	35.2/5.5
R645	7030003490	S.RES ERJ3GEYJ 272 V (2.7 k)	T	45.8/4.2
R671	7030003200	S.RES ERJ3GEYJ 100 V (10)	T	55.9/4.4

[RF-A UNIT]

REF NO.	ORDER NO.	DESCRIPTION	M.	H/V LOCATION
R672	7030003600	S.RES ERJ3GEYJ 223 V (22 k)	T	55.2/6.7
R673	7030003340	S.RES ERJ3GEYJ 151 V (150)	T	60.3/8.8
R674	7030003340	S.RES ERJ3GEYJ 151 V (150)	B	56.7/8.8
R704	7030003440	S.RES ERJ3GEYJ 102 V (1 k)	B	59.7/5.1
R705	7030003440	S.RES ERJ3GEYJ 102 V (1 k)	B	62/8.5
R730	7030003370	S.RES ERJ3GEYJ 271 V (270)	T	46.9/18.4
R731	7030003230	S.RES ERJ3GEYJ 180 V (18)	T	50.8/18.6
R732	7030003370	S.RES ERJ3GEYJ 271 V (270)	T	47.4/19.6
R733	7030003330	S.RES ERJ3GEYJ 121 V (120)	T	38.1/25.6
R734	7030003320	S.RES ERJ3GEYJ 101 V (100)	T	38.1/20
R735	7030003560	S.RES ERJ3GEYJ 103 V (10 k)	T	40.9/24.8
R736	7030003480	S.RES ERJ3GEYJ 222 V (2.2 k)	T	38.1/22.7
R737	7030003370	S.RES ERJ3GEYJ 271 V (270)	T	35.9/23.7
R738	7030003230	S.RES ERJ3GEYJ 180 V (18)	T	35.1/21.4
R739	7030003370	S.RES ERJ3GEYJ 271 V (270)	T	34.4/23.5
R800	7030003440	S.RES ERJ3GEYJ 102 V (1 k)	T	120.3/10.4
R801	7030003440	S.RES ERJ3GEYJ 102 V (1 k)	T	121.5/10.4
R802	7030003340	S.RES ERJ3GEYJ 102 V (1 k)	T	122.7/10.4
R803	7030003280	S.RES ERJ3GEYJ 470 V (47)	T	137.1/46.5
R804	7030003280	S.RES ERJ3GEYJ 470 V (47)	T	140.3/44.8
R805	7030003280	S.RES ERJ3GEYJ 470 V (47)	T	140.3/45.8
R806	7030003280	S.RES ERJ3GEYJ 470 V (47)	T	137.1/49.3
R807	7030003280	S.RES ERJ3GEYJ 470 V (47)	T	140.3/50
R808	7030003280	S.RES ERJ3GEYJ 470 V (47)	T	137.1/50.7
R809	7030003280	S.RES ERJ3GEYJ 470 V (47)	T	140.3/51.4
R810	7030003280	S.RES ERJ3GEYJ 470 V (47)	T	140.3/48.6
R811	7030003280	S.RES ERJ3GEYJ 470 V (47)	T	137.1/47.9
R812	7030003280	S.RES ERJ3GEYJ 470 V (47)	T	140.3/47.2
R813	7030003280	S.RES ERJ3GEYJ 470 V (47)	T	137.1/43.7
R814	7030003280	S.RES ERJ3GEYJ 470 V (47)	T	137.1/45.1
R815	7030003280	S.RES ERJ3GEYJ 470 V (47)	T	140.3/43.3
R816	7030003280	S.RES ERJ3GEYJ 470 V (47)	T	137.1/42.3
R817	7030003640	S.RES ERJ3GEYJ 473 V (47 k)	T	151.9/36.2
R818	7030003640	S.RES ERJ3GEYJ 473 V (47 k)	B	156.7/41.1
R819	7030003640	S.RES ERJ3GEYJ 473 V (47 k)	B	151.2/52.7
R820	7030003640	S.RES ERJ3GEYJ 473 V (47 k)	B	152.5/41.9
R821	7030003440	S.RES ERJ3GEYJ 102 V (1 k)	T	119.1/10.4
R850	7030003370	S.RES ERJ3GEYJ 271 V (270)	B	151.1/13.5
R900	7030003860	S.RES ERJ3GE JPW V	B	124.1/8.2
R904	7030003860	S.RES ERJ3GE JPW V	T	147.1/28
R905	7030003320	S.RES ERJ3GEYJ 101 V (100)	T	137.1/13.3
R907	7030003560	S.RES ERJ3GEYJ 103 V (10 k)	B	143.2/19.7
R908	7030003320	S.RES ERJ3GEYJ 101 V (100)	T	148.4/21.7
R950	7030003370	S.RES ERJ3GEYJ 271 V (270)	T	136.7/20.4
R951	7030003440	S.RES ERJ3GEYJ 102 V (1 k)	T	135.4/20.4
R952	7030003800	S.RES ERJ3GEYJ 105 V (1 M)	T	129.1/23.6
R953	7030003360	S.RES ERJ3GEYJ 221 V (220)	T	132.6/26
R954	7030003360	S.RES ERJ3GEYJ 221 V (220)	T	134.9/23.5
R955	7030003560	S.RES ERJ3GEYJ 103 V (10 k)	T	127.1/32.8
R956	7030003560	S.RES ERJ3GEYJ 103 V (10 k)	T	136.1/31.4
R957	7030003520	S.RES ERJ3GEYJ 472 V (4.7 k)	T	127.1/29.6
R958	7030003560	S.RES ERJ3GEYJ 103 V (10 k)	T	131.6/35
R959	7030003520	S.RES ERJ3GEYJ 472 V (4.7 k)	T	137/29.5
R960	7030003560	S.RES ERJ3GEYJ 103 V (10 k)	T	127.8/35
R961	7030003320	S.RES ERJ3GEYJ 101 V (100)	T	134.9/12.3
R962	7030003320	S.RES ERJ3GEYJ 101 V (100)	T	127.2/21.8
R963	7030003860	S.RES ERJ3GE JPW V	T	131.8/12.3
R964	7030003440	S.RES ERJ3GEYJ 102 V (1 k)	T	129.9/12.3
R965	7030003320	S.RES ERJ3GEYJ 101 V (100)	T	136.1/34.1
R966	7030003320	S.RES ERJ3GEYJ 101 V (100)	T	131.9/28
R1000	7030009691	S.RES ERA3YED 101V (100)	B	143.4/25
R1001	7030003320	S.RES ERJ3GEYJ 101 V (100)	T	147.3/34
R1002	7030010390	S.RES ERA3YED 821V (820)	B	141.5/29.3
R1003	7030003320	S.RES ERJ3GEYJ 101 V (100)	B	135.4/33.9
R1004	7030008061	S.RES ERA3YED 222V (2.2 k)	B	132.6/34.2
R1011	7030003480	S.RES ERJ3GEYJ 222 V (2.2 k)	T	66.2/11.7
R1012	7030003490	S.RES ERJ3GEYJ 272 V (2.7 k)	T	66/10.3
R1013	7030003230	S.RES ERJ3GEYJ 180 V (18)	T	70.6/11.4
R1014	7030003360	S.RES ERJ3GEYJ 221 V (220)	T	72.7/10.7
R1015	7030003380	S.RES ERJ3GEYJ 331 V (330)	T	70.7/14.8
R1021	7030003480	S.RES ERJ3GEYJ 222 V (2.2 k)	T	68.2/21.8
R1022	7030003490	S.RES ERJ3GEYJ 272 V (2.7 k)	T	70/21.6
R1023	7030003340	S.RES ERJ3GEYJ 151 V (150)	B	70.3/25.4
R1024	7030003380	S.RES ERJ3GEYJ 331 V (330)	B	64.1/21.2
R1031	7030003440	S.RES ERJ3GEYJ 102 V (1 k)	B	81/42.5
R1032	7030003320	S.RES ERJ3GEYJ 101 V (100)	T	7

[RF-A UNIT]

REF NO.	ORDER NO.	DESCRIPTION	M.	H/V LOCATION
R1064	7030005321	S.RES ERA3YED 103V (10 k)	B	121.2/36.7
R1065	7030005321	S.RES ERA3YED 103V (10 k)	B	121.2/28.9
R1066	7030005321	S.RES ERA3YED 103V (10 k)	B	118.7/32.5
R1067	7030005321	S.RES ERA3YED 103V (10 k)	B	118.7/30.9
R1068	7030005321	S.RES ERA3YED 103V (10 k)	B	118.7/37.2
R1069	7030005321	S.RES ERA3YED 103V (10 k)	B	118.7/26.1
R1070	7030003320	S.RES ERJ3GEYJ 101 V (100)	T	124.5/32.8
R1071	7030003320	S.RES ERJ3GEYJ 101 V (100)	B	133.4/31.4
R1090	7030003380	S.RES ERJ3GEYJ 331 V (330)	B	116.4/43.1
R1091	7030003380	S.RES ERJ3GEYJ 331 V (330)	T	127.4/14
R1092	7310004820	S.TRI EVM-3YSX50 B33 (302)	T	116.8/24
R1093	7030009861	S.RES ERA3YED 471V (470)	B	112.5/40
R1094	7030006091	S.RES ERA3YED 822V (8.2 k)	T	116/18.6
R1095	7030005321	S.RES ERA3YED 103V (10 k)	B	109.2/40
R1096	7030007661	S.RES ERA3YED 331V (330)	B	105/48.8
R1097	7030007661	S.RES ERA3YED 331V (330)	T	119.8/21.8
R1098	7030007230	S.RES ERA3YED 102V (1 k)	B	110/38.2
R1099	7030007230	S.RES ERA3YED 102V (1 k)	T	116/15.6
R1200	7030007230	S.RES ERA3YED 102V (1 k)	B	102.6/45.9
R1201	7030007230	S.RES ERA3YED 102V (1 k)	B	102.9/42.9
R1202	7030007230	S.RES ERA3YED 102V (1 k)	B	115.9/18.2
R1203	7030007230	S.RES ERA3YED 102V (1 k)	B	115.8/15.5
R1204	7030007230	S.RES ERA3YED 102V (1 k)	B	100.9/11.1
R1205	7030007230	S.RES ERA3YED 102V (1 k)	B	99.2/45.9
R1206	7030003520	S.RES ERJ3GEYJ 472 V (4.7 k)	B	93.8/49.7
R1207	7030003460	S.RES ERJ3GEYJ 152 V (1.5 k)	B	97.9/42.9
R1208	7030011050	S.RES ERA3YHD 100V (10)	B	95.3/48.1
R1209	7030011050	S.RES ERA3YHD 100V (10)	B	97.4/8.8
R1210	7030009851	S.RES ERA3YED 271V (270)	B	92.8/44.6
R1211	7030009851	S.RES ERA3YED 271V (270)	B	95.5/13.6
R1212	7030009841	S.RES ERA3YHD 330V (33)	B	86.3/40.8
R1213	7030009841	S.RES ERA3YHD 330V (33)	B	86.3/16
R1214	7030010980	S.RES ERA3YHD 470V (47)	B	86.3/36.5
R1215	7030010980	S.RES ERA3YHD 470V (47)	B	86.3/20.1
R1310	7030003320	S.RES ERJ3GEYJ 101 V (100)	B	99.4/32.7
R1311	7030003320	S.RES ERJ3GEYJ 101 V (100)	B	98.4/24.1
R1312	7030003320	S.RES ERJ3GEYJ 101 V (100)	B	96.9/32
R1313	7030003320	S.RES ERJ3GEYJ 101 V (100)	T	89/28.9
R1314	7030003680	S.RES ERJ3GEYJ 104 V (100 k)	B	94.9/32.7
R1315	7030003400	S.RES ERJ3GEYJ 471 V (470)	B	96.2/25.2
R1316	7030003630	S.RES ERJ3GEYJ 393 V (39 k)	B	99.6/30.2
R1317	7030003280	S.RES ERJ3GEYJ 470 V (47)	B	100.1/25.7
R1318	7030003220	S.RES ERJ3GEYJ 150 V (15)	B	102.6/27.9
R1319	7030003380	S.RES ERJ3GEYJ 331 V (330)	B	101.8/25.7
R1320	7030003380	S.RES ERJ3GEYJ 331 V (330)	B	103.5/25.7
R1321	7030003560	S.RES ERJ3GEYJ 103 V (10 k)	T	89/30.4
C1	4030007170	S.CER C1608 CH 1H 221J-T	T	108.9/90.2
C2	4030011600	S.CER C1608 JB 1E 104K-T	T	114.2/90.5
C20	4030006900	S.CER C1608 JB 1H 103K-T	T	148/96.5
C21	4030006900	S.CER C1608 JB 1H 103K-T	T	148/80.6
C22	4030006900	S.CER C1608 JB 1H 103K-T	T	114.3/57.3
C23	4030006900	S.CER C1608 JB 1H 103K-T	T	110.7/57.3
C24	4030006900	S.CER C1608 JB 1H 103K-T	T	117.4/72.4
C25	4030006860	S.CER C1608 JB 1H 102K-T	T	125.5/69.6
C26	4030006860	S.CER C1608 JB 1H 102K-T	T	109/61.6
C27	4030006860	S.CER C1608 JB 1H 102K-T	T	118.2/74.3
C30	4030018960	S.CER C3216 JB 1C 106MT-N	B	126.5/56.7
C31	4030017490	S.CER C1608 JB 1A 105K-T	T	143.5/68.9
C32	4030006990	S.CER C1608 CH 1H 080D-T	B	137.6/66.8
C33	4030006860	S.CER C1608 JB 1H 102K-T	T	144/61.9
C34	4030010210	S.CER C3216 JB 1C 105M-T	B	129.2/59.6
C35	4030017490	S.CER C1608 JB 1A 105K-T	T	140.8/57.8
C36	4030006860	S.CER C1608 JB 1H 102K-T	B	125.8/62.1
C37	4030017490	S.CER C1608 JB 1A 105K-T	T	137.2/57.8
C38	4030006860	S.CER C1608 JB 1H 102K-T	T	133.8/57.7
C39	4030018810	S.CER C3216 CH 1H 333J-T	B	119/66
C40	4030007090	S.CER C1608 CH 1H 470J-T	B	113.2/66.5
C41	455006120	S.TAN TEESVA OG 226M8R	T	141.8/54.9
C42	455006120	S.TAN TEESVA OG 226M8R	T	136.1/55
C50	4030007100	S.CER C1608 CH 1H 560J-T	B	141.1/77.6
C51	4030017490	S.CER C1608 JB 1A 105K-T	T	137/87
C53	4030017490	S.CER C1608 JB 1A 105K-T	T	137/77.7
C55	4030006860	S.CER C1608 JB 1H 102K-T	B	126.9/86.8
C56	4030017490	S.CER C1608 JB 1A 105K-T	B	128.6/86.8
C58	4030009510	S.CER C1608 CH 1H 010B-T	B	123.7/90.5
C59	4030006860	S.CER C1608 JB 1H 102K-T	B	123.8/85.6
C60	4030010210	S.CER C3216 JB 1C 105M-T	B	123.6/83.7
C62	4030010210	S.CER C3216 JB 1C 105M-T	T	117.6/86.2
C63	4030007010	S.CER C1608 CH 1H 100D-T	B	116.4/82.4
C72	4030006860	S.CER C1608 JB 1H 102K-T	B	127/71.9
C73	4030017490	S.CER C1608 JB 1A 105K-T	B	128.8/71.9
C75	4030009510	S.CER C1608 CH 1H 010B-T	B	123.8/75.8
C76	4030006860	S.CER C1608 JB 1H 102K-T	B	122.7/70
C77	4030010210	S.CER C3216 JB 1C 105M-T	B	123.4/67.5
C79	4030010210	S.CER C3216 JB 1C 105M-T	T	117.6/80
C80	4030018960	S.CER C3216 JB 1C 106MT-N	B	117.6/88.7
C90	4030006900	S.CER C1608 JB 1H 103K-T	T	105.2/81.9
C91	4030006900	S.CER C1608 JB 1H 103K-T	T	107/97.8
C110	4030007080	S.CER C1608 CH 1H 390J-T	T	98.6/88.7
C111	4030007030	S.CER C1608 CH 1H 150J-T	T	98.4/84.1
C112	4030007130	S.CER C1608 CH 1H 101J-T	T	94.6/85.6
C113	4030007060	S.CER C1608 CH 1H 270J-T	T	97.7/82.2
C114	4030007080	S.CER C1608 CH 1H 390J-T	B	86.6/88.7
C115	4030007170	S.CER C1608 CH 1H 221J-T	B	83.5/88.7
C116	4030007130	S.CER C1608 CH 1H 101J-T	T	92.6/81.5
C117	4030007100	S.CER C1608 CH 1H 560J-T	B	85.1/87.2
C119	4030007050	S.CER C1608 CH 1H 220J-T	T	98.6/89.9
C120	4030007020	S.CER C1608 CH 1H 120J-T	T	94.6/87.1
C130	4030006860	S.CER C1608 JB 1H 102K-T	T	73.1/95.8
C131	4030006900	S.CER C1608 JB 1H 103K-T	B	88.2/73.9
C132	4030007140	S.CER C1608 CH 1H 121J-T	B	78.1/75.1
C133	4030006900	S.CER C1608 JB 1H 103K-T	T	72.6/98.4

[RF-A UNIT]

REF NO.	ORDER NO.	DESCRIPTION	M.	H/V LOCATION
C134	4030007170	S.CER C1608 CH 1H 221J-T	B	78.1/76.6
C135	4030007110	S.CER C1608 CH 1H 680J-T	T	67.1/74.3
C136	4030006900	S.CER C1608 JB 1H 103K-T	B	69.9/96.6
C137	4030007040	S.CER C1608 CH 1H 180J-T	T	71/67.4
C138	4030006900	S.CER C1608 JB 1H 103K-T	T	66.4/98.1
C139	4030006900	S.CER C1608 JB 1H 103K-T	T	61.7/89.8
C144	4030007020	S.CER C1608 CH 1H 120J-T	T	67.1/73.1
C146	4030011600	S.CER C1608 JB 1E 104K-T	T	81.7/94.8
C150	4030011600	S.CER C1608 JB 1E 104K-T	B	50.6/86.5
C151	4030006880	S.CER C1608 JB 1H 472K-T	B	32.8/81.7
C152	4030011600	S.CER C1608 JB 1E 104K-T	T	36.1/88.3
C170	4030006900	S.CER C1608 JB 1H 103K-T	T	50.7/92
C171	4030009530	S.CER C1608 CH 1H 030B-T	T	48.4/95.7
C172	4030011600	S.CER C1608 JB 1E 104K-T	T	50.7/97.6
C174	4030011600	S.CER C1608 JB 1E 104K-T	T	39.6/94.6
C175	4030011600	S.CER C1608 JB 1E 104K-T	B	43.3/89.2
C190	4030007090	S.CER C1608 CH 1H 470J-T	T	29.5/91.5
C191	4030006900	S.CER C1608 JB 1H 103K-T	T	30.7/91.5
C192	4030011600	S.CER C1608 JB 1E 104K-T	T	37.1/93.1
C193	4030006900	S.CER C1608 JB 1H 103K-T	T	37.1/94.3
C194	4030007050	S.CER C1608 CH 1H 220J-T	T	25.9/94.4
C195	4030006900	S.CER C1608 JB 1H 103K-T	B	30.1/93.6
C196	4030011600	S.CER C1608 JB 1E 104K-T	T	26.3/91
C197	4030006900	S.CER C1608 JB 1H 103K-T	T	25.1/82.2
C198	4030007010	S.CER C1608 CH 1H 100D-T	T	25.1/87.3
C199	4030011600	S.CER C1608 JB 1E 104K-T	T	25.1/88.5
C210	4030006900	S.CER C1608 JB 1H 103K-T	T	68.3/67.4
C211	4030007110	S.CER C1608 CH 1H 680J-T	T	72.1/65.8
C212	4030006860	S.CER C1608 JB 1H 102K-T	B	67.3/66
C213	4030006860	S.CER C1608 JB 1H 102K-T	B	67.3/63.7
C214	4030006900	S.CER C1608 JB 1H 103K-T	T	63.9/66.3
C215	4030007120	S.CER C1608 CH 1H 820J-T	B	55.1/73.3
C216	4030007120	S.CER C1608 CH 1H 820J-T	B	55.2/65.2
C217	4030011340	S.CER C1608 CH 1H 471J-T	T	72.1/64.6
C218	4030007110	S.CER C1608 CH 1H 680J-T	T	69.5/64.6
C290	4030007100	S.CER C1608 CH 1H 560J-T	T	89.3/61.6
C291	4030007000	S.CER C1608 CH 1H 090D-T	T	88.6/63.5
C292	4030007120	S.CER C1608 CH 1H 820J-T	T	87.9/61.6
C293	4030007050	S.CER C1608 CH 1H 220J-T	T	86.4/62.7
C294	4030007080	S.CER C1608 CH 1H 390J-T	T	84.8/59.3
C295	4030007100	S.CER C1608 CH 1H 560J-T	T	80.9/61.3
C296	4030011340	S.CER C1608 CH 1H 471J-T	T	77.9/59.1
C297	4030007070	S.CER C1608 CH 1H 330J-T	T	75.9/59.8
C298	4030007150	S.CER C1608 CH 1H 151J-T	T	75.9/58.5
C299	4030007110	S.CER C1608 CH 1H 680J-T	T	73.3/59.8
C316	4510008540	S.ELE EEE1CA100SR	T	141.3/5.1
C317	4030011600	S.CER C1608 JB 1E 104K-T	B	141/6
C318	4030011600	S.CER C1608 JB 1E 104K-T	B	141/3.4
C319	4510008500	S.ELE EEE1CA101WP	T	147.3/5.2
C321	4030011600	S.CER C1608 JB 1E 104K-T	T	59.7/62.1
C322	4030011600	S.CER C1608 JB 1E 104K-T	B	64/57.6
C323	4030007000	S.CER C1608 CH 1H 090D-T	T	60.5/54.9
C324	4030006900	S.CER C1608 JB 1H 103K-T	T	64.1/55.6
C380	4030006900	S.CER C1608 JB 1H 103K-T	T	32/76.9
C381	4030006860	S.CER C1608 JB 1H 102K-T	T	30.2/68.5
C382	4030006860	S.CER C1608 JB 1H 102K-T	T	28.4/68.5
C383	4030006860	S.CER C1608 JB 1H 102K-T	T	26.6/75.3
C384	4030006860	S.CER C1608 JB 1H 102K-T	T	32/75.3
C400	4030006900	S.CER C1608 JB 1H 103K-T	T	42.2/68
C401	4030009910	S.CER C1608 CH 1H 040B-T	T	44.5/56.4
C402	4030007030	S.CER C1608 CH 1H 150J-T	T	40.8/49.6
C403	4030009910	S.CER C1608 CH 1H 040B-T	T	43.9/46.6
C404	4030006900	S.CER C1608 JB 1H 103K-T	T	42.8/34.9
C405	4030007060	S.CER C1608 CH 1H 270J-T	T	44.5/57.6
C406	4030011770	S.CER C1608 CH 1H 060B-T	T	40.8/53.4
C407	4030007060	S.CER C1608 CH 1H 270J-T	T	43.9/45.4
C420	4030006900	S.CER C1608 JB 1H 103K-T	T	33.1/70.2
C421	4030009920	S.CER C1608 CH 1H 050B-T	T	35.9/58.6
C422	4030007020	S.CER C1608 CH 1H 120J-T	T	35.9/59.8
C423	4030009920	S.CER C1608 CH 1H 050B-T	T	32.2/55.6
C424	4030009920	S.CER C1608 CH 1H 050B-T	T	32.2/51.8
C425	4030009920	S.CER C1608 CH 1H 050B-T	T	35.3/48.8
C426	4030007020	S.CER C1608 CH 1H 120J-T	T	35.3/47.6
C427	4030006900	S.CER C1608 JB 1H 103K-T	T	35.6/36.6
C440	4030006900	S.CER C1608 JB 1H 103K-T	T	26/68.5

[RF-A UNIT]

REF NO.	ORDER NO.	DESCRIPTION	M.	H/V LOCATION
C500	4030006860	S.CER C1608 JB 1H 102K-T	B	28/35.8
C501	4030006860	S.CER C1608 JB 1H 102K-T	B	28/31.5
C502	4030006860	S.CER C1608 JB 1H 102K-T	B	26/31.5
C503	4030006860	S.CER C1608 JB 1H 102K-T	B	26/35.8
C504	4030006900	S.CER C1608 JB 1H 103K-T	T	26.3/28.9
C520	4030010000	S.CER C1608 CH 1H 510J-T	T	20.1/23.2
C521	4030007140	S.CER C1608 CH 1H 121J-T	T	18.1/23.2
C523	4030006900	S.CER C1608 JB 1H 103K-T	T	15.7/21.1
C550	4030011600	S.CER C1608 JB 1E 104K-T	B	4.4/10.8
C551	4030011600	S.CER C1608 JB 1E 104K-T	B	6.2/10.8
C552	4030007010	S.CER C1608 CH 1H 100D-T	B	10.2/18
C553	4030006900	S.CER C1608 JB 1H 103K-T	B	3.6/16.4
C580	4030006980	S.CER C1608 CH 1H 070D-T	B	10.7/12
C581	4030006900	S.CER C1608 JB 1H 103K-T	B	10.7/10.2
C582	4030006900	S.CER C1608 JB 1H 103K-T	B	10.7/5.2
C583	4030007080	S.CER C1608 CH 1H 390J-T	B	24.5/8.3
C584	4030017810	S.CER C1608 CH 1H 102J-T	B	18.7/7.1
C585	4030006960	S.CER C1608 CH 1H 050C-T	B	27.8/10.9
C602	4030006900	S.CER C1608 JB 1H 103K-T	T	39.2/5.5
C611	4030007060	S.CER C1608 CH 1H 270J-T	T	35.7/3.2
C612	4030010760	S.CER C1608 CH 1H 331J-T	T	34.4/3.2
C613	4030007130	S.CER C1608 CH 1H 101J-T	T	30.9/8
C614	4030007130	S.CER C1608 CH 1H 101J-T	T	30.9/3.5
C620	4030006860	S.CER C1608 JB 1H 102K-T	B	19.4/9
C621	4030011600	S.CER C1608 JB 1E 104K-T	B	19.5/3.9
C622	4030011600	S.CER C1608 JB 1E 104K-T	T	26.9/4.5
C623	4550003210	S.TAN TEESVD21D226M12R	T	87.9/5.3
C624	4030011600	S.CER C1608 JB 1E 104K-T	B	82.6/7.1
C625	4030011600	S.CER C1608 JB 1E 104K-T	B	82.7/4.2
C626	4510008540	S.ELE EEE1CA100SR	T	93.2/5.4
C640	4030011600	S.CER C1608 JB 1E 104K-T	T	45.8/6.8
C642	4030007100	S.CER C1608 CH 1H 560J-T	T	43.3/4.2
C643	4510008540	S.ELE EEE1CA100SR	T	52/5.8
C644	4030006990	S.CER C1608 CH 1H 080D-T	T	44.5/4.2
C660	4030007100	S.CER C1608 CH 1H 560J-T	T	49.9/2.4
C671	4030007090	S.CER C1608 CH 1H 470J-T	T	55.6/4.4
C672	4030011600	S.CER C1608 JB 1E 104K-T	T	56.6/9
C673	4030011600	S.CER C1608 JB 1E 104K-T	T	58.4/9.1
C701	4030006900	S.CER C1608 JB 1H 103K-T	B	64.8/8.5
C705	4030006900	S.CER C1608 JB 1H 103K-T	B	58.9/7.4
C706	4030006900	S.CER C1608 JB 1H 103K-T	T	63.1/3.8
C707	4030006900	S.CER C1608 JB 1H 103K-T	T	63.1/7.6
C708	4030006900	S.CER C1608 JB 1H 103K-T	T	66.1/5
C709	4030007080	S.CER C1608 CH 1H 390J-T	T	66.6/2.9
C710	4030007110	S.CER C1608 CH 1H 680J-T	T	65.3/2.9
C730	4030007120	S.CER C1608 CH 1H 820J-T	T	47.4/20.8
C731	4030007020	S.CER C1608 CH 1H 120J-T	T	49.3/21.3
C732	4030007140	S.CER C1608 CH 1H 121J-T	T	47.4/22
C733	4030007070	S.CER C1608 CH 1H 330J-T	T	50.5/23.3
C734	4030007110	S.CER C1608 CH 1H 680J-T	T	48/24.7
C735	4030011600	S.CER C1608 JB 1E 104K-T	T	38.1/24.1
C736	4030007050	S.CER C1608 CH 1H 220J-T	T	46.6/24.7
C737	4030007110	S.CER C1608 CH 1H 680J-T	T	42.5/24.8
C738	4030006900	S.CER C1608 JB 1H 103K-T	T	38.1/18.7
C740	4030006900	S.CER C1608 JB 1H 103K-T	T	38.1/21.4
C800	4030006900	S.CER C1608 JB 1H 103K-T	T	108.3/11.1
C801	4030011340	S.CER C1608 CH 1H 471J-T	B	116.3/8.3
C802	4030006900	S.CER C1608 JB 1H 103K-T	B	150.9/9.1
C803	4030011340	S.CER C1608 CH 1H 471J-T	B	118.5/8.3
C804	4030006900	S.CER C1608 JB 1H 103K-T	T	151.6/35
C805	4030011340	S.CER C1608 CH 1H 471J-T	B	121.3/9.5
C806	4030011600	S.CER C1608 JB 1E 104K-T	T	155.6/46.8
C807	4030011600	S.CER C1608 JB 1E 104K-T	T	155.6/39
C850	4510008540	S.ELE EEE1CA100SR	T	154.6/12.1
C851	4030011600	S.CER C1608 JB 1E 104K-T	B	154.7/11.7
C852	4030011600	S.CER C1608 JB 1E 104K-T	B	154.4/18.3
C853	4510008500	S.ELE EEE1CA101WP	T	153.9/18.2
C903	4030011600	S.CER C1608 JB 1E 104K-T	T	137.1/16
C905	4030011600	S.CER C1608 JB 1E 104K-T	B	142.5/21.6
C950	4030017810	S.CER C1608 CH 1H 102J-T	T	130.3/23.6
C951	4030011600	S.CER C1608 JB 1E 104K-T	T	133.6/12.3
C952	4030011600	S.CER C1608 JB 1E 104K-T	T	128.5/20.1
C956	4030011600	S.CER C1608 JB 1E 104K-T	T	137.3/34.1
C957	4030011600	S.CER C1608 JB 1E 104K-T	T	129.2/28
C1000	4030007050	S.CER C1608 CH 1H 220J-T	B	147.9/32
C1001	4030011600	S.CER C1608 JB 1E 104K-T	B	145.3/29.3
C1002	4510008500	S.ELE EEE1CA101WP	T	142.4/26.3
C1003	4510008500	S.ELE EEE1CA101WP	T	142.3/33.7
C1004	4030017870	S.CER C1608 CH 1H 681J-T	B	141.5/27.8
C1005	4030011600	S.CER C1608 JB 1E 104K-T	B	137.2/33.9
C1011	4030007110	S.CER C1608 CH 1H 680J-T	T	66/7.7
C1012	4030006900	S.CER C1608 JB 1H 103K-T	T	66/9
C1013	4030011600	S.CER C1608 JB 1E 104K-T	T	64.7/12.9
C1014	4030011600	S.CER C1608 JB 1E 104K-T	T	72.7/12.1
C1015	4030011600	S.CER C1608 JB 1E 104K-T	T	66.8/15.2
C1016	4030006900	S.CER C1608 JB 1H 103K-T	T	72/14.7
C1021	4030006900	S.CER C1608 JB 1H 103K-T	T	74.4/22.5
C1022	4030011600	S.CER C1608 JB 1E 104K-T	T	68.2/20.5
C1023	4030011600	S.CER C1608 JB 1E 104K-T	T	70.5/25.4
C1024	4030011600	S.CER C1608 JB 1E 104K-T	T	64.1/20
C1025	4030006900	S.CER C1608 JB 1H 103K-T	T	66.1/25.6
C1030	4510008540	S.ELE EEE1CA100SR	T	76.4/43.8
C1031	4030011600	S.CER C1608 JB 1E 104K-T	B	76.5/40.3
C1032	4030011600	S.CER C1608 JB 1E 104K-T	B	72.5/47.1
C1033	4510008540	S.ELE EEE1CA100SR	T	71.5/44.2
C1034	4030011600	S.CER C1608 JB 1E 104K-T	T	68.9/35.2
C1035	4030007120	S.CER C1608 CH 1H 820J-T	T	70.3/36.5
C1036	4510008500	S.ELE EEE1CA101WP	T	58.8/28
C1037	4030011600	S.CER C1608 JB 1E 104K-T	T	67.8/32.6
C1038	4030006860	S.CER C1608 JB 1H 102K-T	T	70.3/32
C1039	4030011600	S.CER C1608 JB 1E 104K-T	T	76.9/34.2
C1040	4030011600	S.CER C1608 JB 1E 104K-T	T	76.9/35.4
C1041	4030006900	S.CER C1608 JB 1H 103K-T	T	73.8/30.4
C1044	4030011600	S.CER C1608 JB 1E 104K-T	B	74.3/29.4

[RF-A UNIT]

REF NO.	ORDER NO.	DESCRIPTION	M.	H/V LOCATION
C1047	4030008880	S.CER C1608 JB 1H 223K-T	B	73.9/39
C1048	4510008540	S.ELE EEE1CA100SR	T	66.7/43.8
C1049	4030007130	S.CER C1608 CH 1H 101J-T	B	75.7/37.3
C1050	4030008880	S.CER C1608 JB 1H 223K-T	B	71.3/29.3
C1060	4030011600	S.CER C1608 JB 1E 104K-T	B	132/36
C1061	4030007150	S.CER C1608 CH 1H 151J-T	B	118.7/34.1
C1063	4030017370	S.CER C1608 CH 1H 681J-T	B	118.7/29.3
C1064	4030011830	S.CER C1608 CH 1H 391J-T	B	118.7/27.7
C1065	4510008500	S.ELE EEE1CA101WP	T	121.9/37.1
C1066	4030011600	S.CER C1608 JB 1E 104K-T	T	124.5/31.5
C1067	4030011600	S.CER C1608 JB 1E 104K-T	B	131.6/31.4
C1068	4510008500	S.ELE EEE1CA101WP	T	122.6/27.3
C1090	4030007050	S.CER C1608 CH 1H 220J-T	T	115.6/45
C1091	4030007050	S.CER C1608 CH 1H 220J-T	B	128.2/19.6
C1092	4030011600	S.CER C1608 JB 1E 104K-T	B	115.6/45.2
C1093	4030011600	S.CER C1608 JB 1E 104K-T	B	128.3/17.1
C1094	4510008540	S.ELE EEE1CA100SR	T	112.5/45.3
C1095	4510008540	S.ELE EEE1CA100SR	T	124.8/17.5
C1096	4510008540	S.ELE EEE1CA100SR	T	107.5/45.4
C1097	4030007110	S.CER C1608 CH 1H 680J-T	B	122.8/21.7
C1098	4030007110	S.CER C1608 CH 1H 680J-T	B	110/41.5
C1099	4510008540	S.ELE EEE1CA100SR	T	119.9/17.5
C1100	4030011600	S.CER C1608 JB 1E 104K-T	B	107.7/48.8
C1101	4030011600	S.CER C1608 JB 1E 104K-T	B	119.1/21.9
C1200	4030011600	S.CER C1608 JB 1E 104K-T	B	101.2/42.9
C1201	4510008540	S.ELE EEE1CA100SR	T	94.8/45.8
C1202	4030008880	S.CER C1608 JB 1H 223K-T	B	99.3/47.5
C1203	4030008880	S.CER C1608 JB 1H 223K-T	B	112.8/17.9
C1204	4030010760	S.CER C1608 CH 1H 331J-T	B	99.6/42.9
C1205	4030010760	S.CER C1608 CH 1H 331J-T	B	101.2/13.6
C1206	4030007010	S.CER C1608 CH 1H 100D-T	B	92.8/47.3
C1207	4030007010	S.CER C1608 CH 1H 100D-T	B	95.5/10.8
C1208	4030017480	S.CER C1608 JB 1A 474K-T	B	96.2/42.9
C1209	4030017480	S.CER C1608 JB 1A 474K-T	B	97.4/14.2
C1210	4030006900	S.CER C1608 JB 1H 103K-T	B	94.6/42.9
C1211	4030006900	S.CER C1608 JB 1H 103K-T	B	99.3/14.2
C1212	4550007660	S.TAN F931E105MAABMA	B	87.6/44.4
C1213	4550007660	S.TAN F931E105MAABMA	B	87.3/13.5
C1214	4030018640	S.CER C2012 CH 1H 103J-T	B	88.5/35.5
C1215	4030018640	S.CER C2012 CH 1H 103J-T	B	88.5/21
C1216	4030011600	S.CER C1608 JB 1E 104K-T	B	101.2/8.9
C1255	4030007120	S.CER C1608 CH 1H 820J-T	B	79.2/28.5
C1256	4030007120	S.CER C1608 CH 1H 820J-T	B	79.3/20.8
C1310	4030006900	S.CER C1608 JB 1H 103K-T	B	85.8/30.9
C1311	4030011600	S.CER C1608 JB 1E 104K-T	T	90.4/32.3
C1312	4030017810	S.CER C1608 CH 1H 102J-T	B	99.2/35.7
C1313	4030017810	S.CER C1608 CH 1H 102J-T	B	98.6/21.1
C1314	4610001970	S.TRI TZC3P200A110R00	T	85.5/29.3
C1315	4030007050	S.CER C1608 CH 1H 220J-T	T	85.5/25.8
C1316	4030006860	S.CER C1608 JB 1H 102K-T	B	96.2/28.2
C1317	4030011600	S.CER C1608 JB 1E 104K-T	B	94.2/24.7
C1318	4030006900	S.CER C1608 JB 1H 103K-T	B	102.2/30.2
C1319	4550007200	S.TAN F930J476MBABMA	B	91.3/28.4
C1320	4030006900	S.CER C1608 JB 1H 103K-T	B	93.6/32.3
RL20	6330001721	R.LY ATN207-K1		
RL21	6330001721	R.LY ATN207-K1		
RL90	6330001721	R.LY ATN207-K1		
RL91	6330001721	R.LY ATN207-K1		
J1	6510007020	CNR TMP-J01X-V6		
J2	6510007020	CNR TMP-J01X-V6		
J190	6510007020	CNR TMP-J01X-V6		
J210	6510007020	CNR TMP-J01X-V6		
J290	6510007020	CNR TMP-J01X-V6		
J500	6510007020	CNR TMP-J01X-V6		
J671	6510007020	CNR TMP-J01X-V6		
J730	6510007020	CNR TMP-J01X-V6		
J800	6510019981	S.CNR 52808-1671 (1690)	T	116/5.8
J900	6510018961	S.CNR B2B-PH-SM4-TB (LF) (SN)	T	152.9/27.8
J1310	6510007020	CNR TMP-J01X-V6		
EP130	6910014730	S.BEA MPZ2012S331A-T	B	91.1/75.4
EP401	6910002161	CAS CASE-BM7H-LF		
EP402	6910002161	CAS CASE-BM7H-LF		
EP421	6910002161	CAS CASE-BM7H-LF		
EP422	6910002161	CAS CASE-BM7H-LF		
EP441	6910002161	CAS CASE-BM7H-LF		
EP442	6910002161	CAS CASE-BM7H-LF		
EP461	6910002161	CAS CASE-BM7H-LF		
EP462	6910002161	CAS CASE-BM7H-LF		
EP481	6910002161	CAS CASE-BM		

[RF-B UNIT]

REF NO.	ORDER NO.	DESCRIPTION	M.	H/V LOCATION
IC801	1110006180	S.IC UPG2009TB-E3	T	43.1/114.5
IC802	1110006180	S.IC UPG2009TB-E3	T	41.8/80.8
IC1201	1110006970	S.IC MAALSS0038TR	T	29.7/99
IC1202	1110007090	S.IC NJG1608KB2-TE1-#ZZZB	T	26.2/58.2
IC1203	1110007090	S.IC NJG1608KB2-TE1-#ZZZB	T	29.6/71.2
IC1204	1110007090	S.IC NJG1608KB2-TE1-#ZZZB	T	29.6/65.4
IC1241	1110006970	S.IC MAALSS0038TR	T	44.5/70.2
IC1251	1110006970	S.IC MAALSS0038TR	T	51.6/64
IC1302	1110006970	S.IC MAALSS0038TR	T	103/9.8
IC1601	1180001071	S.IC TA7805F (TE16L,Q)	B	8.3/110.8
IC1602	1180001071	S.IC TA7805F (TE16L,Q)	B	152.6/28.7
IC1603	1130011530	S.IC CD74HC4094M96	B	135.5/54.7
IC1604	1130011530	S.IC CD74HC4094M96	B	135.5/42.9
IC1605	1130011530	S.IC CD74HC4094M96	B	7.4/79.9
IC1607	1130005721	S.IC TCTW04F (TE12L,F)	T	99.5/51.6
IC1608	1180001251	S.IC TA7808F (TE16L,Q)	B	161.1/41.1
IC1701	1110002700	S.IC NJM2904M-TE1-#FMZB	T	86.6/50.7
IC1703	1160000131	S.IC TD62783AF (5,S,E,L)	T	123.4/52.9
IC5004	1180002770	S.REG BAJ0CC0FF-E2	B	151.5/63.2
Q1201	1590003630	S.TR EMD29-T2R	T	22.5/92.5
Q1202	1590003520	S.TR BCR108T	T	18.3/78.3
	1590003940	S.TR RN1105 (TE85L,F)	T	18.3/78.3
Q1241	1590003630	S.TR EMD29-T2R	T	56.9/71.1
Q1251	1590003530	S.TR BCR08PN	T	74.2/52.2
	1590003930	S.TR UMD22N TR [FRA], [AUS], [CHN]	T	74.2/52.2
Q1252	1590003530	S.TR BCR08PN	T	74.2/49.1
	1590003930	S.TR UMD22N TR [FRA], [AUS], [CHN]	T	74.2/49.1
Q1253	1590003530	S.TR BCR08PN	T	74.2/45.9
	1590003930	S.TR UMD22N TR [FRA], [AUS], [CHN]	T	74.2/45.9
Q1254	1590003630	S.TR EMD29-T2R	T	74.1/55
Q1302	1590003530	S.TR BCR08PN	T	106.9/23.1
	1590003930	S.TR UMD22N TR [FRA], [AUS], [CHN]	T	106.9/23.1
Q1304	1590003530	S.TR BCR08PN	T	104.4/23.1
	1590003930	S.TR UMD22N TR [FRA], [AUS], [CHN]	T	104.4/23.1
Q1401	1590003530	S.TR BCR08PN	T	135.3/39.2
	1590003930	S.TR UMD22N TR [FRA], [AUS], [CHN]	T	135.3/39.2
Q1402	1590003530	S.TR BCR08PN	T	130.3/39.2
	1590003930	S.TR UMD22N TR [FRA], [AUS], [CHN]	T	130.3/39.2
Q1403	1590003530	S.TR BCR08PN	T	132.8/39.2
	1590003930	S.TR UMD22N TR [FRA], [AUS], [CHN]	T	132.8/39.2
Q1601	1550000090	S.FET RSQ035P03TR	T	154.2/37.6
Q1602	1590003520	S.TR BCR108T	T	160.1/39.1
	1590003940	S.TR RN1105 (TE85L,F)	T	160.1/39.1
D101	1790001621	S.DIO 1SV308 (TPL3,F)	B	139.1/112.4
D106	1790001621	S.DIO 1SV308 (TPL3,F)	B	136.7/72.7
D201	1790001621	S.DIO 1SV308 (TPL3,F)	B	137.4/111.6
D206	1790001621	S.DIO 1SV308 (TPL3,F)	B	134.8/73.4
D301	1790001621	S.DIO 1SV308 (TPL3,F)	B	123.5/111.6
D306	1790001621	S.DIO 1SV308 (TPL3,F)	B	121.7/73.4
D401	1790001621	S.DIO 1SV308 (TPL3,F)	B	108.3/111.7
D407	1790001621	S.DIO 1SV308 (TPL3,F)	B	108.8/73.5
D501	1790001621	S.DIO 1SV308 (TPL3,F)	B	94.5/111.6
D507	1790001621	S.DIO 1SV308 (TPL3,F)	B	95.1/73.5
D601	1790001621	S.DIO 1SV308 (TPL3,F)	B	82.2/111.7
D606	1790001621	S.DIO 1SV308 (TPL3,F)	B	79.2/72.8
D607	1790001621	S.DIO 1SV308 (TPL3,F)	B	84.8/112.5
D608	1790001621	S.DIO 1SV308 (TPL3,F)	B	82.5/72
D701	1790001621	S.DIO 1SV308 (TPL3,F)	B	75.7/112.5
D702	1790001621	S.DIO 1SV308 (TPL3,F)	B	74/111.7
D707	1790001621	S.DIO 1SV308 (TPL3,F)	B	67.5/73.3
D708	1790001621	S.DIO 1SV308 (TPL3,F)	B	67.5/72
D802	1790001621	S.DIO 1SV308 (TPL3,F)	B	59.6/111.1
D809	1790001621	S.DIO 1SV308 (TPL3,F)	B	55.6/76.9
D831	1750000461	S.DIO 1SV246-TL-E	B	42.7/75.2
D1204	1750001051	S.VCP HVC417CTRU-E	T	25.3/80.2
D1205	1750001051	S.VCP HVC417CTRU-E	T	22.8/80.2
D1206	1750001051	S.VCP HVC417CTRU-E	T	26.5/81.5
D1207	1750001051	S.VCP HVC417CTRU-E	T	22.9/81.5
D1251	1790001621	S.DIO 1SV308 (TPL3,F)	T	63.1/60.6
D1252	1790001621	S.DIO 1SV308 (TPL3,F)	T	61.8/60.6
D1253	1790001621	S.DIO 1SV308 (TPL3,F)	T	60.5/60.6
D1256	1720000261	S.VCP 1SV214 (TPH2,F)	T	44.2/48.7
D1257	1720000261	S.VCP 1SV214 (TPH2,F)	T	45.8/46.4
D1258	1790001621	S.DIO 1SV308 (TPL3,F)	T	61.2/45.9
D1259	1790001621	S.DIO 1SV308 (TPL3,F)	T	59.2/46.7
D1260	1790001621	S.DIO 1SV308 (TPL3,F)	T	39.8/47.1
D1261	1790001621	S.DIO 1SV308 (TPL3,F)	T	39.8/45.9
D1301	1790001621	S.DIO 1SV308 (TPL3,F)	B	63.7/20.1
D1302	1790001621	S.DIO 1SV308 (TPL3,F)	T	62.4/22.7
D1303	1790001621	S.DIO 1SV308 (TPL3,F)	B	98.8/13.2
D1304	1790001621	S.DIO 1SV308 (TPL3,F)	B	100.6/14
D1601	1750000520	S.DIO DAN222TL	T	142.6/42.5
D1602	1750000520	S.DIO DAN222TL	T	107.4/46
D1603	1750000520	S.DIO DAN222TL	T	102.1/45.8
FI1315	4580000210	FIL FL-403		
FI1316	4580000210	FIL FL-403		

[RF-B UNIT]

REF NO.	ORDER NO.	DESCRIPTION	M.	H/V LOCATION
L101	6200003261	S.COL NLV32T-101J	B	153.5/106.9
L102	6200010530	S.COL C2520C-R56G-A (0.56U)	T	152/104.4
L103	6200011450	S.COL C2520C-R39G-A	T	151.5/100.8
L104	6200010870	S.COL C2520C-R33G-A (0.33U)	T	152/97.1
L105	6200010670	S.COL C2520C-R18G-A (0.18U)	T	147.7/91.5
L106	6200010660	S.COL C2520C-R15G-A (0.15U)	T	148.5/87.9
L107	6200010860	S.COL C2520C-R10G-A (0.1U)	T	148.1/84.1
L110	6200003261	S.COL NLV32T-101J	B	151/77.7
L201	6200003261	S.COL NLV32T-101J	B	140.2/106.9
L202	6200010870	S.COL C2520C-R33G-A (0.33U)	T	138.9/104.6
L203	6200010680	S.COL C2520C-R22G-A (0.22U)	T	138.3/100.7
L204	6200010670	S.COL C2520C-R18G-A (0.18U)	T	138.8/97
L205	6200010650	S.COL C2520C-R12G-A (0.12U)	T	134.6/91.3
L206	6200010860	S.COL C2520C-R10G-A (0.1U)	T	135.4/87.8
L207	6200010730	S.COL C2520C-68NG-A	T	134.8/84.1
L210	6200003261	S.COL NLV32T-101J	B	137.5/78.3
L301	6200003261	S.COL NLV32T-101J	B	126.5/106.9
L302	6200010670	S.COL C2520C-R18G-A (0.18U)	T	125.1/104.5
L303	6200010650	S.COL C2520C-R12G-A (0.12U)	T	124.7/100.7
L304	6200010650	S.COL C2520C-R12G-A (0.12U)	T	125.2/96.9
L305	6200011410	S.COL C2520C-82NG-A	T	120.5/91.4
	6200012990	S.COL 0.25-1.9-9TL 84.0N <COMO> [FRA], [AUS], [CHN]	T	120.5/91.4
L306	6200010730	S.COL C2520C-68NG-A	T	121.3/87.7
	6200012450	S.COL 0.25-1.9-8TL 73N (COAT) <COMO> [FRA], [AUS], [CHN]	T	121.3/87.7
L307	6200010720	S.COL C2520C-56NG-A	T	121/84.1
	6200011800	S.COL C2520C-47NG-A	T	121/84.1
L310	6200003261	S.COL NLV32T-101J	B	124.2/78.3
L401	6200011831	S.COL NLV32T-100J	B	111.2/106.9
L402	6200010670	S.COL C2520C-R18G-A (0.18U)	T	109.9/104.4
L403	6200010860	S.COL C2520C-R10G-A (0.1U)	T	110.6/100.7
L404	6200011410	S.COL C2520C-82NG-A	T	109.9/97.1
L405	6200010720	S.COL C2520C-56NG-A	T	106.9/90.1
L406	6200011800	S.COL C2520C-47NG-A	T	107.7/86.5
L407	6200012360	S.COL C2520C-33NG-A	T	107.3/82.8
L411	6200011831	S.COL NLV32T-100J	B	111.7/77.8
L501	6200011831	S.COL NLV32T-100J	B	97.4/107
L502	6200011410	S.COL C2520C-82NG-A	T	96/104.5
L503	6200010720	S.COL C2520C-56NG-A	T	96.8/100.8
L504	6200011800	S.COL C2520C-47NG-A	T	96.1/97
L505	6200012360	S.COL C2520C-33NG-A	T	92.9/90.1
L506	6200010760	S.COL C2520C-27NG-A	T	93.7/86.4
L507	6200010590	S.COL C2520C-22NG-A	T	93.7/82.7
L511	6200011831	S.COL NLV32T-100J	B	96.6/79.6
L601	6200003331	S.COL NLV32T-1R0J	B	86.9/107.2
L602	6200010940	S.COL C2520C-39NG-A	T	79.6/105.8
L603	6200010760	S.COL C2520C-27NG-A	T	80.3/101.9
L604	6200010760	S.COL C2520C-27NG-A	T	79.3/98
L605	6200010760	S.COL C2520C-27NG-A	T	82.8/94
L606	6200010590	S.COL C2520C-22NG-A	T	82.9/87.7
L607	6200010030	S.COL C2012C-15NG-A	T	82.4/84
L611	6200003331	S.COL NLV32T-1R0J	B	84.4/76.4
L701	6200010760	S.COL C2520C-27NG-A	T	64.8/105.6
L702	6200003331	S.COL NLV32T-1R0J	B	73.5/105.6
L703	6200010590	S.COL C2520C-22NG-A	T	66.2/101.7
L704	6200012140	S.COL C2520C-18NG-A	T	64.9/97.8
L705	6200012140	S.COL C2520C-18NG-A	T	68.1/94.2
L706	6200010030	S.COL C2012C-15NG-A	T	67.6/87.7
L707	6200011690	S.COL C2520C-12NG-A	T	67.8/83.7
L713	6200003331	S.COL NLV32T-1R0J	B	71.2/76.9
L801	6200003331	S.COL NLV32T-1R0J	B	59.5/105.4
L802	6200009070	S.COL LQW18A18NG00D (LQW1608A18NG00)	T	52.5/104.6
L803	6200009220	S.COL LQW18A15NG00D (LQW1608A15NG00)	T	52.8/101.3
L804	6200010700	S.COL LQW18A12NG00D	T	52.1/98.3
L805	6200010700	S.COL LQW18A12NG00D	T	56.8/94.1
L806	6200011730	S.COL LQW18A10NG00D	T	56.9/81
L807	6200010130	S.COL LQW18A6N8C00D	T	55.6/88.6
L811	6200003331	S.COL NLV32T-1R0J	B	56.5/79.9
L901	6200009220	S.COL LQW18A15NG00D (LQW1608A15NG00)	T	38.3/104.3
L902	6200011730	S.COL LQW18A10NG00D	T	39.2/101.2
L903	6200010630	S.COL LQW18A8N2D00D	T	38.4/98.1
L904	6200010630	S.COL LQW18A8N2D00D	T	42.8/93.8
L905	6200010130	S.COL LQW18A6N8C00D	T	42.1/91.5
L906	6200010120	S.COL LQW18A5N6C00D	T	40.9/87.4
L1201	6200001831	S.COL NLV32T-100J	T	24.6/96.8
L1203	6200005641	S.COL ELJRE 6N8ZFA	T	27.9/80.2
L1204	6200005621	S.COL ELJRE 4N7ZFA	T	28.7/82.3
L1205	6200006771	S.COL ELJRE 1N5ZFA	T	29.3/88.3
L1207	6200006781	S.COL ELJRE 1N8ZFA	T	28.7/90.4
L1212	6200010940	S.COL C2520C-39NG-A	T	28.3/96
L1231	6200005611	S.COL ELJRE 3N9ZFA	T	26.4/68.3
L1241	6200010670	S.COL C2520C-R18G-A (0.18U)	T	47.3/70.7
L1242	6200001831	S.COL NLV32T-100J	T	53.7/71.5
L1251	6200001831	S.COL NLV32T-100J	T	58.5/66.8
L1252	6200010670	S.COL C2520C-R18G-A (0.18U)	T	54.7/66.1
L1253	6200003331	S.COL NLV32T-1R0J	T	51.9/54.7
L1254	6200005701	S.COL ELJRE 2N2GFA	T	52.4/47.2
L1255	6200005631	S.COL ELJRE 5N6ZFA	T	48.5/55.3
L1256	6200005721	S.COL ELJRE 3N3GFA	T	63.7/53.1
L1257	6200005671	S.COL ELJRE 12NGFA	T	59.2/53.1
L1260	6200005731	S.COL ELJRE 3N9GFA	T	63/48.7
L1261	6200005681	S.COL ELJRE 15NGFA	T	58.5/48.7
L1262	6200005611	S.COL ELJRE 3N9ZFA	T	44.2/51.9
L1263	6200005631	S.COL ELJRE 5N6ZFA	T	43.5/54
L1264	6200005611	S.COL ELJRE 3N9ZFA	T	40.1/53.2
L1265	6200005601	S.COL ELJRE 3N3ZFA	T	40.1/49.5

M.=Mounted side (T: Mounted on the Top side B: Mounted on the Bottom side) S.=Surface mount

[RF-B UNIT]

REF NO.	ORDER NO.	DESCRIPTION	M.	H/V LOCATION
L1266	6200001831	S.COL NLV32T-100J	B	66.8/47.6
L1267	6200003331	S.COL NLV32T-1R0J	B	62.3/44.8
L1268	6200003331	S.COL NLV32T-1R0J	B	39.9/45.1
L1301	6200002631	S.COL NLV25T-1R0J	B	67.8/15.6
L1302	6200001981	S.COL NLV25T-1R0J	B	62.1/29.5
L1303	6200010590	S.COL C2520C-22NG-A	T	67.2/19.4
L1304	6200010590	S.COL C2520C-22NG-A	T	74.4/19.4
L1305	6200010590	S.COL C2520C-22NG-A	T	82.3/19.2
L1306	6200010590	S.COL C2520C-22NG-A	T	89.6/19.9
L1307	6200010030	S.COL C2012C-15NG-A	T	93.4/24.5
L1308	6200001981	S.COL NLV25T-1R0J	B	102.8/18.4
L1309	6200002631	S.COL NLV25T-1R0J	T	101/17.4
L1311	6200007710	S.COL LQW2BHN27NJ03L	B	98.3/20.7
L1341	6200010670	S.COL C2520C-R18G-A (0.18U)	T	103.9/13.6
L1342	6200001831	S.COL NLV32T-100J	T	105.4/17.5
R102	7030003320	S.RES ERJ3GEYJ 101 V (100)	B	156.5/102.7
R111	7030003320	S.RES ERJ3GEYJ 101 V (100)	B	152.4/74.9
R202	7030003320	S.RES ERJ3GEYJ 101 V (100)	B	144.3/104.7
R211	7030003320	S.RES ERJ3GEYJ 101 V (100)	B	140.6/77.5
R302	7030003320	S.RES ERJ3GEYJ 101 V (100)	B	130.6/104.7
R311	7030003320	S.RES ERJ3GEYJ 101 V (100)	B	127.5/77.6
R402	7030003320	S.RES ERJ3GEYJ 101 V (100)	B	115.3/104.6
R411	7030003320	S.RES ERJ3GEYJ 101 V (100)	B	113.9/75.7
R502	7030003320	S.RES ERJ3GEYJ 101 V (100)	B	101.4/104.8
R511	7030003320	S.RES ERJ3GEYJ 101 V (100)	B	98/76.6
R601	7030003320	S.RES ERJ3GEYJ 101 V (100)	B	87.6/102.4
R611	7030003320	S.RES ERJ3GEYJ 101 V (100)	B	88/76.5
R701	7030003320	S.RES ERJ3GEYJ 101 V (100)	B	74.9/102.8
R711	7030003320	S.RES ERJ3GEYJ 101 V (100)	B	74.7/76.4
R801	7030009810	S.RES ERJ12YJ821U (820)	B	54.6/12.6
R803	7030003320	S.RES ERJ3GEYJ 101 V (100)	B	60.8/102.7
R812	7030003320	S.RES ERJ3GEYJ 101 V (100)	B	59.9/77.3
R813	7030009810	S.RES ERJ12YJ821U (820)	B	50.7/75.9
R816	7030003440	S.RES ERJ3GEYJ 102 V (1 k)	B	39.3/77.3
R817	7030003440	S.RES ERJ3GEYJ 102 V (1 k)	B	40.9/118.5
R818	7030003440	S.RES ERJ3GEYJ 102 V (1 k)	B	42.5/118.4
R819	7030003440	S.RES ERJ3GEYJ 102 V (1 k)	B	44.3/77.3
R820	7030003520	S.RES ERJ3GEYJ 472 V (4.7 k)	T	37.9/115.8
R821	7030003440	S.RES ERJ3GEYJ 102 V (1 k)	B	47.1/78.5
R1201	7030003440	S.RES ERJ3GEYJ 102 V (1 k)	T	23.1/62.9
R1202	7030003440	S.RES ERJ3GEYJ 102 V (1 k)	T	23.1/53.5
R1206	7030003680	S.RES ERJ3GEYJ 104 V (100 k)	T	26.6/83
R1207	7030003680	S.RES ERJ3GEYJ 104 V (100 k)	T	25.3/77.9
R1208	7030003640	S.RES ERJ3GEYJ 473 V (47 k)	B	22.9/80
R1209	7030003640	S.RES ERJ3GEYJ 473 V (47 k)	B	22.9/81.6
R1210	7030003440	S.RES ERJ3GEYJ 102 V (1 k)	B	33.9/71.5
R1211	7030003440	S.RES ERJ3GEYJ 102 V (1 k)	B	24.2/72.3
R1212	7030003440	S.RES ERJ3GEYJ 102 V (1 k)	B	26.5/64.3
R1213	7030003440	S.RES ERJ3GEYJ 102 V (1 k)	B	32.9/64.3
R1214	7030003440	S.RES ERJ3GEYJ 102 V (1 k)	B	17.8/78
R1234	7030003680	S.RES ERJ3GEYJ 104 V (100 k)	T	72/49.1
R1241	7030004030	S.RES ERJ3GEYJ 5R6 V (5.6)	T	39.4/73
R1242	7030003430	S.RES ERJ3GEYJ 821 V (820)	T	37.6/73.8
R1243	7030003430	S.RES ERJ3GEYJ 821 V (820)	T	37.6/72.3
R1251	7030003270	S.RES ERJ3GEYJ 390 V (39)	T	46.5/64
R1252	7030003340	S.RES ERJ3GEYJ 151 V (150)	T	44/67.3
R1253	7030003340	S.RES ERJ3GEYJ 151 V (150)	T	45.7/61.9
R1254	7030003340	S.RES ERJ3GEYJ 151 V (150)	T	[FRA], [AUS], [CHN] 57.4/61.4
R1255	7030003270	S.RES ERJ3GEYJ 390 V (39)	T	[FRA], [AUS], [CHN] 58.2/63.4
R1256	7030003340	S.RES ERJ3GEYJ 151 V (150)	T	[FRA], [AUS], [CHN] 59/61.5
R1257	7030009810	S.RES ERJ12YJ821U (820)	T	66.7/61.5
R1258	7030003680	S.RES ERJ3GEYJ 104 V (100 k)	T	except [CHN] 47.1/48.9
R1259	7030003680	S.RES ERJ3GEYJ 104 V (100 k)	T	32.9/44.7
R1260	7030009810	S.RES ERJ12YJ821U (820)	B	47.4/48.4
R1261	7030003640	S.RES ERJ3GEYJ 473 V (47 k)	T	72/52.2
R1262	7030003640	S.RES ERJ3GEYJ 473 V (47 k)	T	36.5/42.9
R1263	7030003680	S.RES ERJ3GEYJ 104 V (100 k)	B	39.5/48.5
R1265	7030003680	S.RES ERJ3GEYJ 104 V (100 k)	T	46/54.3
R1266	7030003200	S.RES MCR10EZHH JPW (000)	B	26.8/48.3
R1267	7030000010	S.RES ERJ3GEYJ 271 V (270)	B	29/49.1
R1270	7030003370	S.RES ERJ3GEYJ 271 V (270)	B	26.8/49.8
R1271	7030003230	S.RES ERJ3GEYJ 180 V (18)	T	63.7/20.1
R1272	7030003370	S.RES ERJ3GEYJ 271 V (270)	B	65.3/14.5
R1301	7030003430	S.RES ERJ3GEYJ 821 V (820)	B	66.8/9.9
R1302	7030003320	S.RES ERJ3GEYJ 101 V (100)	B	62.4/26.5
R1303	7030000010	S.RES MCR10EZHH JPW (000)	T	107/25.3
R1306	7030003320	S.RES ERJ3GEYJ 101 V (100)	B	96.4/6.7
R1307	7030003680	S.RES ERJ3GEYJ 104 V (100 k)	T	104.3/25.3
R1308	7030000010	S.RES MCR10EZHH JPW (000)	T	79.3/25.5
R1309	7030003680	S.RES ERJ3GEYJ 104 V (100 k)	T	80.1/23.5
R1310	7030003370	S.RES ERJ3GEYJ 271 V (270)	T	80.8/25.5
R1311	7030003230	S.RES ERJ3GEYJ 180 V (18)	B	96.4/9.9
R1312	7030003370	S.RES ERJ3GEYJ 271 V (270)	B	101.3/16
R1315	7030003860	S.RES ERJ3GE JPW V	B	97.9/13.1
R1317	7030003320	S.RES ERJ3GEYJ 101 V (100)	B	101.3/11.9
R1318	7030003320	S.RES ERJ3GEYJ 101 V (100)	B	60.9/17.7
R1319	7030003430	S.RES ERJ3GEYJ 821 V (820)	T	62.9/16.9
R1321	7030004030	S.RES ERJ3GEYJ 5R6 V (5.6)	T	61.6/19.6
R1322	7030003430	S.RES ERJ3GEYJ 821 V (820)	B	82.9/6.9
R1323	7030003430	S.RES ERJ3GEYJ 821 V (820)	B	
R1327	7030003860	S.RES ERJ3GE JPW V	B	

[RF-B UNIT]

REF NO.	ORDER NO.	DESCRIPTION	M.	H/V LOCATION
R1331	7030003390	S.RES ERJ3GEYJ 391 V (390)	T	108.1/9.9
R1332	7030003210	S.RES ERJ3GEYJ 120 V (12)	T	110.7/11.5
R1333	7030003390	S.RES ERJ3GEYJ 391 V (390)	T	112.2/9.9
R1334	7510001820	S.TMR NTCG16 3EH 101J-T	T	108.1/11.5
R1601	7030003680	S.RES ERJ3GEYJ 104 V (100 k)	T	153.8/40
R1602	7030003440	S.RES ERJ3GEYJ 102 V (1 k)	T	157.3/38.4
R1605	7030003360	S.RES ERJ3GEYJ 221 V (220)	T	152.1/57.8
R1606	7030003360	S.RES ERJ3GEYJ 221 V (220)	T	152.1/58.8
R1607	7030003360	S.RES ERJ3GEYJ 221 V (220)	T	152.1/60.1
R1608	7030003860	S.RES ERJ3GE JPW V	T	152/49.1
R1611	7030003860	S.RES ERJ3GE JPW V	T	157.3/39.7
R1612	7030003560	S.RES ERJ3GEYJ 103 V (10 k)	T	144.3/42.6
R1613	7030010260	S.RES ERJ1TYJ 3R3 U	B	159.2/35.8
R1614	7030003360	S.RES ERJ3GEYJ 221 V (220)	T	152.1/56.2
R1615	7030003640	S.RES ERJ3GEYJ 473 V (47 k)	B	151.4/57.8
R1616	7030003640	S.RES ERJ3GEYJ 473 V (47 k)	B	147.2/58.8
R1617	7030003640	S.RES ERJ3GEYJ 473 V (47 k)	B	147.2/56.2
R1618	7030003640	S.RES ERJ3GEYJ 473 V (47 k)	B	146.4/57.5
R1621	7030010540	S.RES ERJ1TYJ 330U (33)	B	19.8/111.6
R1622	7030010540	S.RES ERJ1TYJ 330U (33)	B	19.8/115.3
R1623	7030010410	S.RES ERJ1TYJ 220U (22)	B	140.3/25.8
R1624	7030010410	S.RES ERJ1TYJ 220U (22)	B	140.3/29.5
R1625	7030010540	S.RES ERJ1TYJ 330U (33)	B	19.8/119
R1711	7030003320	S.RES ERJ3GEYJ 101 V (100)	T	78.6/45
R1712	7030003680	S.RES ERJ3GEYJ 104 V (100 k)	T	127.9/63.4
R1715	7030003680	S.RES ERJ3GEYJ 104 V (100 k)	T	127.9/61
R1718	7030003680	S.RES ERJ3GEYJ 104 V (100 k)	T	124.9/63.4
R1721	7030003680	S.RES ERJ3GEYJ 104 V (100 k)	T	124.9/61
R1724	7030003680	S.RES ERJ3GEYJ 104 V (100 k)	T	121.9/63.4
R1727	7030003680	S.RES ERJ3GEYJ 104 V (100 k)	T	121.9/61
R1730	7030003680	S.RES ERJ3GEYJ 104 V (100 k)	T	118.9/63.4
R1733	7030003680	S.RES ERJ3GEYJ 104 V (100 k)	T	118.9/61
R1736	7030003620	S.RES ERJ3GEYJ 333 V (33 k)	T	87.9/43.4
R1737	7030003500	S.RES ERJ3GEYJ 332 V (3.3 k)	T	85.3/45.4
R1738	7030003620	S.RES ERJ3GEYJ 333 V (33 k)	T	86.5/58.3
R1739	7030003500	S.RES ERJ3GEYJ 332 V (3.3 k)	T	86.5/59.5
R1740	7030003640	S.RES ERJ3GEYJ 473 V (47 k)	T	85.3/44.8
R1741	7030003640	S.RES ERJ3GEYJ 473 V (47 k)	T	88/45.8
R1742	7030003640	S.RES ERJ3GEYJ 473 V (47 k)	T	86.5/57.1
R1743	7030003640	S.RES ERJ3GEYJ 473 V (47 k)	T	90.1/52.9
R1744	7030003720	S.RES ERJ3GEYJ 224 V (220 k)	T	85.3/46.1
R1745	7030003720	S.RES ERJ3GEYJ 224 V (220 k)	T	86.5/55.8
R1748	7030003400	S.RES ERJ3GEYJ 471 V (470)	T	83.2/45.9
R1749	7030003400	S.RES ERJ3GEYJ 471 V (470)	B	85.9/43.4
C102	4030006880	S.CER C1608 JB 1H 472K-T	B	154.2/104.8
C103	4030007160	S.CER C1608 CH 1H 181J-T	T	148.3/106.4
C104	4030007160	S.CER C1608 CH 1H 181J-T	T	148.3/104.8
C105	4030007130	S.CER C1608 CH 1H 101J-T	T	147.6/102.8
C106	4030001760	S.CER C1608 CH 1H 331J-T	T	148.3/100.7
C107	4030007120	S.CER C1608 CH 1H 820J-T	T	147.6/98.6
C108	4030017810	S.CER C1608 CH 1H 102J-T	T	148.3/96.6
C109	4030007140	S.CER C1608 CH 1H 121J-T	T	146.3/95.8
C110	4030007120	S.CER C1608 CH 1H 820J-T	T	148.3/95.1
C111	4030006990	S.CER C1608 CH 1H 080D-T	T	147.1/93.7
C112	4030006880	S.CER C1608 JB 1H 472K-T	B	151.7/80
C113	4030006880	S.CER C1608 JB 1H 472K-T	T	146.8/78.5
C114	4030007130	S.CER C1608 CH 1H 101J-T	T	149.8/93.7
C115	4030009650	S.CER C1608 CH 1H 240J-T	T	150.8/88.5
C116	4030007010	S.CER C1608 CH 1H 100D-T	T	151.6/86.6
C117	4030007120	S.CER C1608 CH 1H 820J-T	T	151.6/84.1
C118	4030007090	S.CER C1608 CH 1H 470J-T	T	147.5/81.6
C119	4030007090	S.CER C1608 CH 1H 470J-T	T	147.5/80.3
C120	4030011600	S.CER C1608 JB 1E 104K-T	B	154.2/103.5
C121	4030011600	S.CER C1608 JB 1E 104K-T	B	151.7/81.3
C202	4030006880	S.CER C1608 JB 1H 472K-T	B	143/107.7
C203	4030007130	S.CER C1608 CH 1H 101J-T	T	135.2/106.4
C204	4030007130	S.CER C1608 CH 1H 101J-T	T	135.2/104.8
C205	4030007100	S.CER C1608 CH 1H 560J-T	T	134.4/102.8
C206	4030010750	S.CER C1608 CH 1H 201J-T	T	135.2/100.7
C207	4030007090	S.CER C1608 CH 1H 470J-T	T	134.4/98.6
C208	4030017870	S.CER C1608 CH 1H 681J-T	T	135.2/96.6
C209	4030007110	S.CER C1608 CH 1H 680J-T	T	133.2/95.8
C210	4030007100	S.CER C1608 CH 1H 560J-T	T	135.2/95.1
C211	4030011770	S.CER C1608 CH 1H 060B-T	T	134/93.7
C212	4030006880	S.CER C1608 JB 1H 472K-T	B	139.9/80.5
C213	4030006880	S.CER C1608 JB 1H 472K-T	T	133.5/78.5
C214	4030007120	S.CER C1608 CH 1H 820J-T	T	136.7/93.7
C215	4030007040	S.CER C1608 CH 1H 180J-T	T	137.6/88.4
C216	4030007110	S.CER C1608 CH 1H 680J-T	T	138.4/86.5
C217	4030007070	S.CER C1608 CH 1H 330J-T	T	134.2/81.8
C218	4030008750	S.CER C1608 CH 1H 360J-T	T	134.2/80.3
C219	4030011600	S.CER C1608 JB 1E 104K-T	B	144.3/107.7
C220	4030011600	S.CER C1608 JB 1E 104K-T	B	139.9/81.8
C302	4030006880	S.CER C1608 JB 1H 472K-T	B	129.3/107.7
C303	4030007100	S.CER C1608 CH 1H 560J-T	T	[FRA], [AUS], [CHN] 12

[RF-B UNIT]

REF NO.	ORDER NO.	DESCRIPTION	M.	H/V LOCATION
C309	4030007100	S.CER C1608 CH 1H 560J-T [FRA], [AUS], [CHN]	T	119.1/95.9
C310	4030008750	S.CER C1608 CH 1H 360J-T	T	121.3/95.2
C311	4030009530	S.CER C1608 CH 1H 030B-T	T	119.9/93.8
C312	4030006880	S.CER C1608 JB 1H 472K-T	B	126.7/80.8
C313	4030006880	S.CER C1608 JB 1E 104K-T	T	119.7/78.4
C314	4030007090	S.CER C1608 CH 1H 470J-T except [FRA], [AUS], [CHN]	T	122.6/93.8
	4030007100	S.CER C1608 CH 1H 560J-T [FRA], [AUS], [CHN]	T	122.6/93.8
C315	4030007020	S.CER C1608 CH 1H 120J-T	T	123.6/88.3
C316	4030007080	S.CER C1608 CH 1H 390J-T except [FRA], [AUS], [CHN]	T	124.4/86.4
	4030007090	S.CER C1608 CH 1H 470J-T [FRA], [AUS], [CHN]	T	124.4/86.4
C317	4030007010	S.CER C1608 CH 1H 100D-T [FRA], [AUS], [CHN]	T	120.5/81.8
	4030007050	S.CER C1608 CH 1H 220J-T except [FRA], [AUS], [CHN]	T	120.5/81.8
C318	4030009650	S.CER C1608 CH 1H 240J-T	T	121.7/79.2
C319	4030011600	S.CER C1608 JB 1E 104K-T	B	130.6/107.7
C320	4030011600	S.CER C1608 JB 1E 104K-T	B	126.7/82.1
C321	4030007030	S.CER C1608 CH 1H 150J-T [FRA], [AUS], [CHN] only	T	120.5/80.6
C401	4030007050	S.CER C1608 CH 1H 220J-T [FRA], [AUS], [CHN]	T	106.3/106.5
	4030007090	S.CER C1608 CH 1H 470J-T except [FRA], [AUS], [CHN]	T	106.3/106.5
C403	4030006850	S.CER C1608 JB 1H 471K-T	B	114.1/107.6
C404	4030007030	S.CER C1608 CH 1H 150J-T [FRA], [AUS], [CHN]	T	106.3/104.6
	4030007040	S.CER C1608 CH 1H 180J-T except [FRA], [AUS], [CHN]	T	106.3/104.6
C405	4030007010	S.CER C1608 CH 1H 100D-T [FRA], [AUS], [CHN]	T	105.5/102.5
	4030009650	S.CER C1608 CH 1H 240J-T except [FRA], [AUS], [CHN]	T	105.5/102.5
C406	4030007080	S.CER C1608 CH 1H 390J-T	T	107.5/100.6
C407	4030007010	S.CER C1608 CH 1H 100D-T [FRA], [AUS], [CHN]	T	105.5/99.9
	4030007040	S.CER C1608 CH 1H 180J-T except [FRA], [AUS], [CHN]	T	105.5/99.9
C408	4030007140	S.CER C1608 CH 1H 121J-T	T	106.3/97.6
C409	4030009650	S.CER C1608 CH 1H 240J-T	T	105.5/95.8
C410	4030007060	S.CER C1608 CH 1H 270J-T	T	106.3/93.7
C412	4030007080	S.CER C1608 CH 1H 390J-T [FRA], [AUS], [CHN]	T	109/92.3
	4030008750	S.CER C1608 CH 1H 360J-T except [FRA], [AUS], [CHN]	T	109/92.3
C413	4030006980	S.CER C1608 CH 1H 070D-T	T	110.3/87.1
C414	4030007060	S.CER C1608 CH 1H 270J-T except [FRA], [AUS], [CHN]	T	111/85.1
	4030007070	S.CER C1608 CH 1H 330J-T [FRA], [AUS], [CHN]	T	111/85.1
C415	4030006850	S.CER C1608 JB 1H 471K-T	B	113.9/80.1
C416	4030006860	S.CER C1608 JB 1H 102K-T	T	106.7/77.8
C417	4030007030	S.CER C1608 CH 1H 150J-T	T	106.7/80.5
C418	4030007030	S.CER C1608 CH 1H 150J-T	T	106.7/79.3
C419	4030011600	S.CER C1608 JB 1E 104K-T	B	115.4/107.6
C420	4030011600	S.CER C1608 JB 1E 104K-T	B	113.9/81.4
C501	4030009650	S.CER C1608 CH 1H 240J-T	T	92.3/106.7
C503	4030006850	S.CER C1608 JB 1H 471K-T	B	100.2/107.8
C504	4030009990	S.CER C1608 CH 1H 200J-T	T	92.3/105
C505	4030007030	S.CER C1608 CH 1H 150J-T	T	91.5/102.8
C506	4030007080	S.CER C1608 CH 1H 390J-T	T	93.6/100.4
C507	4030007020	S.CER C1608 CH 1H 120J-T	T	91.5/99.7
C508	4030007140	S.CER C1608 CH 1H 121J-T	T	92.2/97.6
C509	4030007030	S.CER C1608 CH 1H 150J-T	T	91.5/95.5
C510	4030007030	S.CER C1608 CH 1H 150J-T	T	92.3/93.6
C511	4030009520	S.CER C1608 CH 1H 020B-T	T	92.3/92.4
C512	4030009650	S.CER C1608 CH 1H 240J-T	T	95/92.4
C513	4030011770	S.CER C1608 CH 1H 060B-T	T	96/87
C514	4030009990	S.CER C1608 CH 1H 200J-T	T	96.7/85
C515	4030006850	S.CER C1608 JB 1H 471K-T	B	97.3/81.8
C516	4030006860	S.CER C1608 JB 1H 102K-T	T	93.1/77.9
C517	4030007010	S.CER C1608 CH 1H 100D-T	T	93.1/80.4
C518	4030007010	S.CER C1608 CH 1H 100D-T	T	93.1/79.2
C519	4030011600	S.CER C1608 JB 1E 104K-T	B	101.4/107.8
C520	4030011600	S.CER C1608 JB 1E 104K-T	B	97.3/83.1
C602	4030006850	S.CER C1608 JB 1H 471K-T	B	89.1/104.9
C603	4030007030	S.CER C1608 CH 1H 150J-T	T	85/106.4
C604	4030009990	S.CER C1608 CH 1H 200J-T	T	83.1/105.7
C605	4030006990	S.CER C1608 CH 1H 080D-T	T	85/103.5
C606	4030008750	S.CER C1608 CH 1H 360J-T	T	84.3/100.9
C607	4030006980	S.CER C1608 CH 1H 070D-T	T	85/98.9
C608	4030007140	S.CER C1608 CH 1H 121J-T	T	83/98.1
C609	4030007010	S.CER C1608 CH 1H 100D-T	T	85/96.1
C610	4030006990	S.CER C1608 CH 1H 080D-T	T	79.6/95.4
C611	4030006920	S.CER C1608 CH 1H 010C-T	T	80.4/93.4
C611	4030009510	S.CER C1608 CH 1H 010B-T	T	80.4/93.4
C612	4030007030	S.CER C1608 CH 1H 150J-T	T	82/91.3
C613	4030006940	S.CER C1608 CH 1H 030C-T	T	82/90
C613	4030009530	S.CER C1608 CH 1H 030B-T	T	82/90
C614	4030007020	S.CER C1608 CH 1H 120J-T	T	79.3/87.7
C615	4030006980	S.CER C1608 CH 1H 070D-T	T	80.1/84.3
C616	4030006850	S.CER C1608 JB 1H 471K-T	B	86.4/78.9
C617	4030006860	S.CER C1608 JB 1H 102K-T	T	81.3/78.6
C618	4030006960	S.CER C1608 CH 1H 050C-T	T	79.3/82.3
C618	4030009920	S.CER C1608 CH 1H 050B-T	T	79.3/82.3
C619	4030011600	S.CER C1608 JB 1E 104K-T	B	89.1/103.6
C620	4030011600	S.CER C1608 JB 1E 104K-T	B	86.4/80.2
C702	4030007000	S.CER C1608 CH 1H 090D-T	T	71.5/105.3
C703	4030006850	S.CER C1608 JB 1H 471K-T	B	70.9/102.9
C704	4030007030	S.CER C1608 CH 1H 150J-T	T	68.3/104.6

[RF-B UNIT]

REF NO.	ORDER NO.	DESCRIPTION	M.	H/V LOCATION
C705	4030006960	S.CER C1608 CH 1H 050C-T	T	70.3/103.8
C705	4030009920	S.CER C1608 CH 1H 050B-T	T	70.3/103.8
C706	4030007060	S.CER C1608 CH 1H 270J-T	T	69.3/101.1
C707	4030006960	S.CER C1608 CH 1H 050C-T	T	70.4/99.1
C707	4030009920	S.CER C1608 CH 1H 050B-T	T	70.4/99.1
C708	4030007120	S.CER C1608 CH 1H 820J-T	T	68.5/98.4
C709	4030006980	S.CER C1608 CH 1H 070D-T	T	70.4/96.3
C710	4030009920	S.CER C1608 CH 1H 050B-T	T	65.1/95.6
C711	4030009560	S.CER C1608 CH 1H R75B-T	T	65.8/93.6
C712	4030006990	S.CER C1608 CH 1H 080D-T	T	67.4/91.4
C713	4030009520	S.CER C1608 CH 1H 020B-T	T	67.4/90.1
C714	4030006980	S.CER C1608 CH 1H 070D-T	T	64.5/87.7
C715	4030009350	S.CER C1608 CH 1H 3R5B-T	T	65.3/84.3
C716	4030009910	S.CER C1608 CH 1H 040B-T	T	64.5/82.4
C718	4030006850	S.CER C1608 JB 1H 471K-T	B	73.4/79.2
C719	4030006860	S.CER C1608 JB 1H 102K-T	T	67.6/78
C720	4030011600	S.CER C1608 JB 1E 104K-T	B	70.9/104.2
C721	4030011600	S.CER C1608 JB 1E 104K-T	B	73.4/80.5
C801	4030017810	S.CER C1608 CH 1H 102J-T	B	49.3/115.5
C803	4030006850	S.CER C1608 JB 1H 471K-T	B	56.7/102.6
C804	4030011770	S.CER C1608 CH 1H 060B-T	T	56.7/106.1
C805	4030007010	S.CER C1608 CH 1H 100D-T	T	54.6/105.4
C806	4030009910	S.CER C1608 CH 1H 040B-T	T	56.8/103.2
C807	4030007020	S.CER C1608 CH 1H 120J-T	T	56/101.3
C808	4030009910	S.CER C1608 CH 1H 040B-T	T	56.8/99.4
C809	4030007090	S.CER C1608 CH 1H 470J-T	T	54.4/97.2
C810	4030009920	S.CER C1608 CH 1H 050B-T	T	56.8/96.8
C811	4030009350	S.CER C1608 CH 1H 3R5B-T	T	53.1/94.8
C813	4030006990	S.CER C1608 CH 1H 080D-T	T	52.3/93.5
C815	4030006980	S.CER C1608 CH 1H 070D-T	T	53.4/90.3
C816	4030006850	S.CER C1608 JB 1H 471K-T	B	59.4/80.1
C817	4030017810	S.CER C1608 CH 1H 102J-T	T	54.2/84.2
C819	4030017810	S.CER C1608 CH 1H 102J-T	B	46.4/81.7
C821	4030006860	S.CER C1608 JB 1H 102K-T	B	41.5/113.9
C822	4030006860	S.CER C1608 JB 1H 102K-T	B	41.5/115.3
C823	4030006860	S.CER C1608 JB 1H 102K-T	B	44.3/78.6
C824	4030006860	S.CER C1608 JB 1H 102K-T	B	39.3/78.6
C825	4030006900	S.CER C1608 JB 1H 103K-T	T	40/115.1
C826	4030017810	S.CER C1608 CH 1H 102J-T	T	40/113.9
C828	4030006900	S.CER C1608 JB 1H 103K-T	B	46.4/80.4
C829	4030006900	S.CER C1608 JB 1H 103K-T	T	41.2/77.9
C830	4030017810	S.CER C1608 CH 1H 102J-T	T	42.5/77.9
C831	4030009350	S.CER C1608 CH 1H 3R5B-T	T	54.2/88.6
C832	4030009530	S.CER C1608 CH 1H 030B-T	T	53.4/86.3
C833	4030011600	S.CER C1608 JB 1E 104K-T	B	56.7/103.9
C834	4030011600	S.CER C1608 JB 1E 104K-T	B	60.7/80.1
C835	4030017810	S.CER C1608 CH 1H 102J-T	B	50.2/80.3
C836	4030006900	S.CER C1608 JB 1H 103K-T	B	48.9/80.3
C901	4030006920	S.CER C1608 CH 1H 010C-T	T	38.8/95.8
C901	4030009510	S.CER C1608 CH 1H 010B-T	T	38.8/95.8
C902	4030009910	S.CER C1608 CH 1H 040B-T	T	42.8/105.8
C903	4030006960	S.CER C1608 CH 1H 050C-T	T	40.6/105.1
C903	4030009920	S.CER C1608 CH 1H 050B-T	T	40.6/105.1
C904	4030009520	S.CER C1608 CH 1H 020B-T	T	42.8/103.1
C905	4030007010	S.CER C1608 CH 1H 100D-T	T	42.1/101.2
C906	4030009520	S.CER C1608 CH 1H 020B-T	T	42.8/99.3
C907	4030007070	S.CER C1608 CH 1H 330J-T	T	40.6/97.3
C908	4030009520	S.CER C1608 CH 1H 020B-T	T	42.8/96.6
C910	4030009560	S.CER C1608 CH 1H R75B-T	T	38.8/94.5
C911	4030009550	S.CER C1608 CH 1H 2R5B-T	T	37.4/93
C913	4030009520	S.CER C1608 CH 1H 020B-T	T	37.4/91.8
C914	4030009520	S.CER C1608 CH 1H 020B-T	T	38.9/90.4
C916	4030009520	S.CER C1608 CH 1H 020B-T	T	39.6/87.4
C917	4030009520	S.CER C1608 CH 1H 020B-T	T	38.9/89.2
C918	4030009500	S.CER C1608 CH 1H 0R5B-T	T	38.9/85.5
C919	4030009500	S.CER C1608 CH 1H 0R5B-T	T	38.9/84.3
C920	4030017810	S.CER C1608 CH 1H 102J-T	T	39.6/82.4
C1202	4030017810	S.CER C1608 CH 1H 102J-T	B	29.5/71
C1203	4030009520	S.CER C1608 CH 1H 020B-T	T	30.3/79.4
C1206	4030009540	S.CER C1608 CH 1H 1R5B-T	T	30.3/82.3
C1206	4030010780	S.CER C1608 CH 1H 1R5C-T	T	30.3/82.3
C1209	403000			

[RF-B UNIT]

REF NO.	ORDER NO.	DESCRIPTION	M.	H/V LOCATION
C1258	4030006900	S.CER C1608 JB 1H 103K-T	T	55.5/63.4
C1259	4030017810	S.CER C1608 CH 1H 102J-T	T	61.8/63.2
C1260	4030006900	S.CER C1608 JB 1H 103K-T	T	60.5/63.2
C1261	4030007010	S.CER C1608 CH 1H 100D-T	T	52.8/52.5
C1262	4030007030	S.CER C1608 CH 1H 150J-T	T	52.4/50.1
C1263	4030007010	S.CER C1608 CH 1H 100D-T	T	50.1/52.5
C1264	4030007010	S.CER C1608 CH 1H 100D-T	T	61.8/55.1
C1265	4030011770	S.CER C1608 CH 1H 060B-T	T	57.3/55.1
C1266	4030009520	S.CER C1608 CH 1H 020B-T	T	62.5/53.1
C1268	4030009540	S.CER C1608 CH 1H 1R5B-T	T	58/53.1
C1270	4030007040	S.CER C1608 CH 1H 180J-T	T	61.8/51.1
C1271	4030007010	S.CER C1608 CH 1H 100D-T	T	57.3/51.1
C1272	4030009500	S.CER C1608 CH 1H 0R5B-T	T	63/49.9
C1273	4030009500	S.CER C1608 CH 1H 0R5B-T	T	58.5/49.9
C1274	4030011770	S.CER C1608 CH 1H 060B-T	T	45.8/50.4
C1275	4030007010	S.CER C1608 CH 1H 100D-T	T	61.8/47.4
C1276	4030011770	S.CER C1608 CH 1H 060B-T	T	57.3/47.5
C1277	4030009510	S.CER C1608 CH 1H 010B-T	T	38.9/54.7
C1278	4030009510	S.CER C1608 CH 1H 010B-T	T	41.4/53.2
C1279	4030009520	S.CER C1608 CH 1H 020B-T	T	39.4/51.4
C1280	4030006860	S.CER C1608 JB 1H 102K-T	B	68.3/51.1
C1281	4030006850	S.CER C1608 JB 1H 471K-T	B	64.8/44.1
C1282	4030007090	S.CER C1608 CH 1H 470J-T	B	36.5/44.2
C1283	4030006850	S.CER C1608 JB 1H 471K-T	B	69.7/51.1
C1284	4030006860	S.CER C1608 JB 1H 102K-T	B	66.4/44.1
C1285	4030006860	S.CER C1608 JB 1H 102K-T	T	72/45.9
C1286	4030009510	S.CER C1608 CH 1H 010B-T	T	38.3/48.8
C1287	4030007090	S.CER C1608 CH 1H 470J-T	B	52.7/48.7
C1288	4030006860	S.CER C1608 JB 1H 102K-T	B	35.9/72.4
C1289	4030006860	S.CER C1608 JB 1H 102K-T	B	24.2/73.8
C1290	4030006860	S.CER C1608 JB 1H 102K-T	B	28/65.5
C1291	4030006860	S.CER C1608 JB 1H 102K-T	B	31.4/65.5
C1292	4030007090	S.CER C1608 CH 1H 470J-T	B	21.5/72.3
C1293	4030007090	S.CER C1608 CH 1H 470J-T	B	35.8/70.8
C1294	4030007130	S.CER C1608 CH 1H 101J-T	T	27.2/70.2
C1295	4030009500	S.CER C1608 CH 1H 0R5B-T	T	25.2/68.3
C1296	4030007130	S.CER C1608 CH 1H 101J-T	T	27.2/66.4
C1297	4030006960	S.CER C1608 CH 1H 050C-T	T	32/68.3
C1297	4030009920	S.CER C1608 CH 1H 050B-T	T	32/68.3
C1298	4030006960	S.CER C1608 CH 1H 050C-T	T	29.6/62.1
C1298	4030009920	S.CER C1608 CH 1H 050B-T	T	29.6/62.1
C1299	4030006860	S.CER C1608 JB 1H 102K-T	B	29.7/46
C1300	4030006900	S.CER C1608 JB 1H 103K-T	B	29.7/47.2
C1301	4030017810	S.CER C1608 CH 1H 102J-T	T	61.6/20.8
C1303	4030017810	S.CER C1608 CH 1H 102J-T	B	64.5/12.2
C1304	4030009910	S.CER C1608 CH 1H 040B-T	T	67.5/22.9
C1305	4030006860	S.CER C1608 JB 1H 102K-T	B	64.1/29.6
C1307	4030006860	S.CER C1608 JB 1H 102K-T	B	70.6/17.8
C1309	4030009530	S.CER C1608 CH 1H 030B-T	T	69.4/19.8
C1310	4540000020	S.TRI TZY2Z06A001R00	T	71.4/19.2
C1311	4030009570	S.CER C1608 CH 1H 0R3B-T	T	72.8/22.1
C1312	4030009510	S.CER C1608 CH 1H 010B-T	T	72.8/23.3
C1314	4030009530	S.CER C1608 CH 1H 030B-T	T	76.7/19.7
C1315	4540000020	S.TRI TZY2Z06A001R00	T	78.7/19.2
C1316	4030009910	S.CER C1608 CH 1H 040B-T	T	77.9/22.7
C1317	4030009910	S.CER C1608 CH 1H 040B-T	T	82.6/22.7
C1319	4030009530	S.CER C1608 CH 1H 030B-T	T	84.5/19.6
C1320	4540000020	S.TRI TZY2Z06A001R00	T	86.6/19.9
C1321	4030009570	S.CER C1608 CH 1H 0R3B-T	T	88/22.8
C1322	4030009510	S.CER C1608 CH 1H 010B-T	T	88/24.1
C1324	4030009530	S.CER C1608 CH 1H 030B-T	T	91.8/20.2
C1325	4540000020	S.TRI TZY2Z06A001R00	T	93.9/19.6
C1326	4030009910	S.CER C1608 CH 1H 040B-T	T	92.3/22.8
C1327	4030007030	S.CER C1608 CH 1H 150J-T	T	91/25.3
C1328	4030007020	S.CER C1608 CH 1H 120J-T	T	93.3/26.3
C1329	4030007030	S.CER C1608 CH 1H 150J-T	T	96.5/24.8
C1330	4030006860	S.CER C1608 JB 1H 102K-T	B	99.3/18
C1331	4030006860	S.CER C1608 JB 1H 102K-T	B	101.8/20.8
C1332	4030006860	S.CER C1608 JB 1H 102K-T	T	101.7/19.9
C1334	4030017810	S.CER C1608 CH 1H 102J-T	T	100.4/9.8
C1335	4030011340	S.CER C1608 CH 1H 471J-T	T	104.7/19.6
C1341	4030006860	S.CER C1608 JB 1H 102K-T	T	101.7/13.5
C1343	4030007130	S.CER C1608 CH 1H 101J-T	B	70.6/19.4
C1346	4030007130	S.CER C1608 CH 1H 101J-T	T	101.7/21.2
C1347	4030006860	S.CER C1608 JB 1H 102K-T	B	96.4/12.7
C1348	4030017810	S.CER C1608 CH 1H 102J-T	T	106.2/12.2
C1349	4030007130	S.CER C1608 CH 1H 101J-T	B	83.9/29.8
C1350	4030006860	S.CER C1608 JB 1H 102K-T	B	86.3/29.8
C1351	4030006860	S.CER C1608 JB 1H 102K-T	B	98.5/27.8
C1601	4030006880	S.CER C1608 JB 1H 472K-T	T	153.8/42.7
C1603	4030006880	S.CER C1608 JB 1H 472K-T	T	149.5/47.1
C1605	4030006880	S.CER C1608 JB 1H 472K-T	B	152.2/51.1
C1606	4030011600	S.CER C1608 JB 1E 104K-T	B	157.1/45.3
C1607	4030018960	S.CER C3216 JB 1C 106MT-N	T	13.5/117
C1608	4030011600	S.CER C1608 JB 1E 104K-T	B	12/115
C1609	4030011600	S.CER C1608 JB 1E 104K-T	B	12/106.5
C1610	4510008540	S.ELE EEE1CA100SR	T	163.7/70.8
C1611	4550003120	S.TAN TEESVD2 1A 476M12R	T	12.7/111.5
C1612	4030011600	S.CER C1608 JB 1E 104K-T	B	156.9/64.5
C1613	4030011600	S.CER C1608 JB 1E 104K-T	B	156.9/61.7
C1614	4550003210	S.TAN TEESVD21D226M12R	T	162.7/65.6
C1615	4030011600	S.CER C1608 JB 1E 104K-T	B	137.5/48.8
C1616	4030011600	S.CER C1608 JB 1E 104K-T	B	133.6/48.8
C1617	4030011600	S.CER C1608 JB 1E 104K-T	B	6.4/86.1
C1618	4030011340	S.CER C1608 CH 1H 471J-T	B	152.2/49.4
C1619	4030011600	S.CER C1608 JB 1E 104K-T	T	98.3/48.2
C1620	4510008540	S.ELE EEE1CA100SR	T	162.6/35.4
C1621	4030011600	S.CER C1608 JB 1E 104K-T	B	157.2/33.2
C1622	4510008540	S.ELE EEE1CA100SR	T	162.6/42.6
C1623	4510008540	S.ELE EEE1CA100SR	T	150.7/26.8
C1624	4030011600	S.CER C1608 JB 1E 104K-T	B	145.4/27.2
C1625	4030011600	S.CER C1608 JB 1E 104K-T	B	145.4/31.6
C1626	4510008520	S.ELE EEE1CA470SP	T	130.4/28
C1701	4030006880	S.CER C1608 JB 1H 472K-T	T	83.1/52.9

[RF-B UNIT]

REF NO.	ORDER NO.	DESCRIPTION	M.	H/V LOCATION
C1702	4510008760	S.ELE EEE1HA4R7SR	T	79.6/50.2
C1727	4030011600	S.CER C1608 JB 1E 104K-T	T	130.8/49.3
C1801	4030006860	S.CER C1608 JB 1H 102K-T	B	11.2/105.2
C1802	4030006860	S.CER C1608 JB 1H 102K-T	B	10.3/103.9
C1803	4030006860	S.CER C1608 JB 1H 102K-T	B	11.2/102.6
C1804	4030006860	S.CER C1608 JB 1H 102K-T	B	10.3/101.3
C1805	4030006860	S.CER C1608 JB 1H 102K-T	B	11.2/100
C1806	4030006860	S.CER C1608 JB 1H 102K-T	B	10.3/98.7
C1807	4030006860	S.CER C1608 JB 1H 102K-T	B	11.2/97.4
C1808	4030006860	S.CER C1608 JB 1H 102K-T	B	10.3/96.1
C1809	4030006860	S.CER C1608 JB 1H 102K-T	B	11.3/94.8
C1810	4030006860	S.CER C1608 JB 1H 102K-T	B	10.2/93.5
C1834	4030009920	S.CER C1608 CH 1H 050B-T	B	46.2/32.5
C1835	4030009920	S.CER C1608 CH 1H 050B-T	B	42.7/33.6
C1836	4030009920	S.CER C1608 CH 1H 050B-T	B	39.6/33.2
C1837	4030009920	S.CER C1608 CH 1H 050B-T	B	36.5/33.6
C1851	4030006860	S.CER C1608 JB 1H 102K-T	T	137.5/34
C1852	4030006860	S.CER C1608 JB 1H 102K-T	T	138.8/34
C1853	4030006860	S.CER C1608 JB 1H 102K-T	T	142.7/34
C1854	4030006860	S.CER C1608 JB 1H 102K-T	T	144/31.2
J801	6510023480	S.CNR AYU1-1P-02676-120-TF	T	34.9/115
J1201	6510023480	S.CNR AYU1-1P-02676-120-TF	T	29.5/112.5
J1202	6510023480	S.CNR AYU1-1P-02676-120-TF	T	15.7/58.2
J1301	6510018450	CNR TMP-S01X-B1		
J1305	6510018450	CNR TMP-S01X-B1		
J1601	6510019981	S.CNR 52808-1671 (1690)	T	157.2/52.7
J1801	6510019981	S.CNR 52808-1671 (1690)	T	6.1/99.1
J1831	6510019971	S.CNR 52808-1071	T	44.6/29.2
J1851	6510019971	S.CNR 52808-1071	T	141.2/26.7
EP1301	6910012350	S.BEA MMZ1608Y 102BT	B	68.2/18.6
EP1302	6910012350	S.BEA MMZ1608Y 102BT	T	101/23.2
EP1303	6910012350	S.BEA MMZ1608Y 102BT	B	66/30.4
EP1304	6910012350	S.BEA MMZ1608Y 102BT	B	102.5/22.7
EP1601	6910014730	S.BEA MPZ2012S331A-T	T	152.9/45.1
EP1602	6910015970	S.BEA MMZ1608B 301CT-AS	T	152/47.8
EP1603	6910014730	S.BEA MPZ2012S331A-T	T	152/50.7
EP1701	6910015970	S.BEA MMZ1608B 301CT-AS	T	130.8/46.5
EP1801	6910015970	S.BEA MMZ1608B 301CT-AS	T	11.2/105.3
EP1802	6910015970	S.BEA MMZ1608B 301CT-AS	T	11.2/104
EP1803	6910015970	S.BEA MMZ1608B 301CT-AS	T	11.2/102.7
EP1804	6910014730	S.BEA MPZ2012S331A-T	T	10.9/101.2
EP1805	6910015970	S.BEA MMZ1608B 301CT-AS	T	11.2/99.6
EP1806	6910015970	S.BEA MMZ1608B 301CT-AS	T	11.2/98.3
EP1807	6910015970	S.BEA MMZ1608B 301CT-AS	T	11.2/97
EP1808	6910015970	S.BEA MMZ1608B 301CT-AS	T	11.2/95.7
EP1809	6910015970	S.BEA MMZ1608B 301CT-AS	T	11.2/94.4
EP1810	6910015970	S.BEA MMZ1608B 301CT-AS	T	11.1/93.2
EP1811	6910015970	S.BEA MMZ1608B 301CT-AS	T	14.9/105.4
EP1812	6910015970	S.BEA MMZ1608B 301CT-AS	T	14.9/104.1
EP1813	6910015970	S.BEA MMZ1608B 301CT-AS	T	14.9/102.8
EP1814	6910014730	S.BEA MPZ2012S331A-T	T	15.3/101.3
EP1815	6910015970	S.BEA MMZ1608B 301CT-AS	T	15/99.7
EP1816	6910015970	S.BEA MMZ1608B 301CT-AS	T	15/98.4
EP1817	6910015970	S.BEA MMZ1608B 301CT-AS	T	15/97.1
EP1818	6910015970	S.BEA MMZ1608B 301CT-AS	T	15/95.8
EP1819	6910015970	S.BEA MMZ1608B 301CT-AS	T	15/94.5
EP1820	6910015970	S.BEA MMZ1608B 301CT-AS	T	15/93.3
EP1831	6910015970	S.BEA MMZ1608B 301CT-AS	T	51.7/36.1
EP1832	6910015970	S.BEA MMZ1608B 301CT-AS	T	49.4/36.1
EP1833	6910015970	S.BEA MMZ1608B 301CT-AS	T	47.3/36.1
EP1834	6910015970	S.BEA MMZ1608B 301CT-AS	T	45.2/36.1
EP1835	6910015970	S.BEA MMZ1608B 301CT-AS	T	43/36.1
EP1836	6910015970	S.BEA MMZ1608B 301CT-AS	T	41.4/36.1
EP1837	6910015970	S.BEA MMZ1608B 301CT-AS	T	39.1/36.1
EP1838	6910015970	S.BEA MMZ1608B 301CT-AS	T	51.7/33.5
EP1839	6910015970	S.BEA MMZ1608B 301CT-AS	T	49.4/33.5
EP1840	6910015970	S.BEA MMZ1608B 301CT-AS	T	47.3/33.5
EP1841	6910015970	S.BEA MMZ1608B 301CT-AS	T	45.2/33.5
EP1842	6910015970	S.BEA MMZ1608B 301CT-AS	T	43/33.5
EP1843	6910015970	S.BEA MMZ1608B 301CT-AS	T	41.4/33.5
EP1844	69100			

[PLL UNIT]

REF NO.	ORDER NO.	DESCRIPTION	M.	H/V LOCATION
IC100	1130011530	S.IC CD74HC4094M96	T	43/27.3
IC101	1130009691	S.IC TC74HCT7007AF (F)	B	44.6/25
IC200	1160000131	S.IC TD62783AFG (5,S,EL)	B	28.9/26.1
IC204	1160000131	S.IC TD62783AFG (5,S,EL)	B	13.9/26.1
IC300	1130011530	S.IC CD74HC4094M96	T	29/24.2
IC301	1130011530	S.IC CD74HC4094M96	T	14/24.2
IC302	1130011530	S.IC CD74HC4094M96	B	135.9/9.7
IC350	1130012000	S.IC M62352AGP C60Q	T	111.3/23
IC400	1180001251	S.IC TA7808F (TE16L,Q)	B	44.8/8.5
IC401	1180001071	S.IC TA7805F (TE16L,Q)	B	84.9/6.8
IC500	1130006441	S.IC TC7S08F (TE85R,F)	T	66/36.4
IC700	1130003831	S.IC TC7S04F (TE85R,F)	T	102.1/50.1
IC750	1130003831	S.IC TC7S04F (TE85R,F)	T	76.1/46.8
IC751	1130006441	S.IC TC7S08F (TE85R,F)	T	77.4/54.8
IC752	1140007881	S.IC TC190G08EFG0046JDZ/SC1246A	T	87.7/47.2
IC830	1110002700	S.IC NJM2904M-TE1-#FMZB	B	96.1/84.7
IC1000	1130013500	S.IC ADF4111BRUZ	T	66.3/69
IC1001	1110001901	S.IC PC4570G2-E1-A	T	74.5/69.5
IC1300	1110006870	S.IC PC2709TB-E3	B	65/111.2
IC1351	1110006870	S.IC PC2709TB-E3	B	70.2/100.6
IC2100	1110004460	S.IC PB1509GV-E1	T	46.1/56.9
IC2300	1130013450	S.IC SN74AUC1G04DCKR	T	41.8/44.6
IC2301	1180003030	S.REG S-812C25AUA-C2FT2G	T	49.3/46.6
IC2302	1130013310	S.IC SN74AUC74RGYR	T	35.8/45.1
IC2303	1130011930	S.IC SN74LVC1G04DCKR	T	29.4/45
IC2553	1110006870	S.IC PC2709TB-E3	B	35.2/87.5
IC4000	1130013300	S.IC LMX2346TM/NOPB	T	151.5/61.6
IC4501	1110006870	S.IC PC2709TB-E3	B	163.8/95
IC5000	1130013270	S.IC ADF4111BRUZ	T	123.4/74.8
IC5001	1110002700	S.IC NJM2904M-TE1-#FMZB	B	144.7/81.8
IC5300	1130003831	S.IC TC7S04F (TE85R,F)	B	159.5/37.2
IC5301	1140007881	S.IC TC190G08EFG0046JDZ/SC1246A	T	155.9/36
IC5601	1130003831	S.IC TC7S04F (TE85R,F)	B	154.1/32.5
Q101	1590001870	S.TR DTA114EE TL [FRA], [AUS], [CHN]	T	36.8/21.9
	1590003570	S.TR BCR183T	T	
		except [FRA], [AUS], [CHN]	T	36.8/21.9
Q102	1590003520	S.TR BCR108T	B	28.4/13.1
		except [FRA], [AUS], [CHN]	B	28.4/13.1
	1590003940	S.TR RN1105 (TE85L,F)	B	28.4/13.1
		[FRA], [AUS], [CHN]	B	28.4/13.1
Q450	1530002060	S.TR 2SC4081 T106 R	T	127.4/60.9
Q550	1530002601	S.TR 2SC4215-O (TE85R,F)	T	122.1/44.1
Q601	1590003530	S.TR BCR08PN	B	82.1/114.1
		except [FRA], [AUS], [CHN]	B	82.1/114.1
	1590003930	S.TR UMD22N TR [FRA], [AUS], [CHN]	B	82.1/114.1
Q602	1590003530	S.TR BCR08PN	B	82.1/117.7
		except [FRA], [AUS], [CHN]	B	82.1/117.7
	1590003930	S.TR UMD22N TR [FRA], [AUS], [CHN]	B	82.1/117.7
Q603	1590003530	S.TR BCR08PN	B	82.1/121.3
		except [FRA], [AUS], [CHN]	B	82.1/121.3
	1590003930	S.TR UMD22N TR [FRA], [AUS], [CHN]	B	82.1/121.3
Q800	1530002060	S.TR 2SC4081 T106 R	B	99.6/60.3
Q860	1530002060	S.TR 2SC4081 T106 R	B	89.2/69.9
Q900	1560000341	S.FET 2SK210-Y (TE85R,F)	T	92/70.1
Q1000	1590001870	S.TR DTA114EE TL [FRA], [AUS], [CHN]	T	70.5/67.4
	1590003570	S.TR BCR183T	T	
		except [FRA], [AUS], [CHN]	T	70.5/67.4
Q1001	1530002060	S.TR 2SC4081 T106 R	T	60.7/60.5
Q2101	1590003530	S.TR BCR08PN	T	51/58.3
		except [FRA], [AUS], [CHN]	T	51/58.3
	1590003930	S.TR UMD22N TR [FRA], [AUS], [CHN]	T	51.1/50.6
Q2301	1590003530	S.TR BCR08PN	T	51.1/50.6
		except [FRA], [AUS], [CHN]	T	51.1/50.6
	1590003930	S.TR UMD22N TR [FRA], [AUS], [CHN]	T	51.1/50.6
Q2551	1590003530	S.TR BCR08PN	T	51.7/72.1
		except [FRA], [AUS], [CHN]	T	51.7/72.1
	1590003930	S.TR UMD22N TR [FRA], [AUS], [CHN]	T	51.7/72.1
Q3001	1530003781	S.TR 2SC5624VH-TL-E	T	48/124
Q3002	1530003781	S.TR 2SC5624VH-TL-E	T	50.5/124
Q4000	1590001870	S.TR DTA114EE TL [FRA], [AUS], [CHN]	B	153.3/57.9
	1590003570	S.TR BCR183T	B	
		except [FRA], [AUS], [CHN]	B	153.3/57.9
Q4450	1590003520	S.TR BCR108T	B	163.3/80.7
		except [FRA], [AUS], [CHN]	B	163.3/80.7
	1590003940	S.TR RN1105 (TE85L,F)	B	163.3/80.7
		[FRA], [AUS], [CHN]	B	163.3/80.7
Q4451	1590003520	S.TR BCR108T	B	160.1/80.6
		except [FRA], [AUS], [CHN]	B	160.1/80.6
	1590003940	S.TR RN1105 (TE85L,F)	B	160.1/80.6
		[FRA], [AUS], [CHN]	B	160.1/80.6
Q4452	1590001870	S.TR DTA114EE TL [FRA], [AUS], [CHN]	B	163.6/83.7
	1590003570	S.TR BCR183T	B	
		except [FRA], [AUS], [CHN]	B	163.6/83.7
Q4453	1590001870	S.TR DTA114EE TL [FRA], [AUS], [CHN]	B	161/83.7
	1590003570	S.TR BCR183T	B	
		except [FRA], [AUS], [CHN]	B	161/83.7
Q5000	1590001870	S.TR DTA114EE TL [FRA], [AUS], [CHN]	B	127/70.3
	1590003570	S.TR BCR183T	B	
		except [FRA], [AUS], [CHN]	B	127/70.3
Q5018	1530002060	S.TR 2SC4081 T106 R	B	114.2/67.1
Q5100	1560000341	S.FET 2SK210-Y (TE85R,F)	T	124.4/102.6
Q5101	1530002561	S.TR 2SC4403-3-TL-E	T	118.9/99.9
Q5150	1530002561	S.TR 2SC4403-3-TL-E	T	119.8/102.9
Q5200	1530002561	S.TR 2SC4403-3-TL-E	T	127.2/109.3
Q5400	1530002060	S.TR 2SC4081 T106 R	B	169.8/32.4
Q5500	1530002601	S.TR 2SC4215-O (TE85R,F)	T	133.3/46.9
Q5601	1560000341	S.FET 2SK210-Y (TE85R,F)	T	158.9/12.9
Q5602	1530002060	S.TR 2SC4081 T106 R	B	158.5/16.4
Q5603	1530002060	S.TR 2SC4081 T106 R	T	149.4/26.2
		except [FRA], [AUS], [CHN]	T	172.5/28.3

[PLL UNIT]

REF NO.	ORDER NO.	DESCRIPTION	M.	H/V LOCATION
Q5604	1590003930	S.TR UMD22N TR [FRA], [AUS], [CHN]	T	172.5/28.3
D750	1750000520	S.DIO DAN222TL	B	90.6/57
D900	1790000491	S.DIO HSM88ASTR-E	T	98.1/72.2
D901	1790000491	S.DIO HSM88ASTR-E	T	94.7/72.2
D930	1720000590	S.VCP MA357 (TX)	T	100.2/68.2
D931	1720000590	S.VCP MA357 (TX)	T	104.4/72.1
D1000	1750000520	S.DIO DAN222TL	B	81.8/64.8
D1451	1750000581	S.DIO 1SV307 (TPH3,F)	B	154.2/96.8
D1452	1750000581	S.DIO 1SV307 (TPH3,F)	B	148.1/99.6
D1453	1750000581	S.DIO 1SV307 (TPH3,F)	B	157.4/97.6
D1454	1750000581	S.DIO 1SV307 (TPH3,F)	B	155.5/100.7
D2000	1750000581	S.DIO 1SV307 (TPH3,F)	B	57.1/106.1
D2001	1750000581	S.DIO 1SV307 (TPH3,F)	B	56/109.1
D2050	1750000581	S.DIO 1SV307 (TPH3,F)	T	37.2/60
D2051	1750000581	S.DIO 1SV307 (TPH3,F)	T	38.9/61.7
D2052	1750000581	S.DIO 1SV307 (TPH3,F)	T	41.1/58.8
D2053	1750000581	S.DIO 1SV307 (TPH3,F)	T	42.2/56
D2200	1750000581	S.DIO 1SV307 (TPH3,F)	B	21.8/112.7
D2652	1750000581	S.DIO 1SV307 (TPH3,F)	B	7.2/83.2
D2855	1750000581	S.DIO 1SV307 (TPH3,F)	B	18.6/111.6
D2856	1750000581	S.DIO 1SV307 (TPH3,F)	B	4.3/84.2
D3101	1750000581	S.DIO 1SV307 (TPH3,F)	B	31.3/123.6
D3102	1750000581	S.DIO 1SV307 (TPH3,F)	B	19/123.1
D3404	1750000581	S.DIO 1SV307 (TPH3,F)	B	13/83.2
D4000	1750000520	S.DIO DAN222TL	B	149.9/51.8
D5000	1750000520	S.DIO DAN222TL	B	129.5/68.5
D5100	1720000261	S.VCP 1SV214 (TPH2,F)	T	132.7/95.7
D5101	1720000261	S.VCP 1SV214 (TPH2,F)	B	130.7/95.8
D5102	1720000261	S.VCP 1SV214 (TPH2,F)	T	132.7/93.9
D5103	1720000261	S.VCP 1SV214 (TPH2,F)	B	133.3/95.8
D5601	1720000590	S.VCP MA357 (TX)	T	146.5/10.9
D5602	1720000590	S.VCP MA357 (TX)	T	150.7/14.8
D5603	1790000491	S.DIO HSM88ASTR-E	T	152.8/10.8
D5604	1790000491	S.DIO HSM88ASTR-E	T	156.2/10.8
FI700	2020001820	S.CER SFECV10M5FA00-R0 (SFECV10.5MA5S)	T	101.9/41.7
FI5400	2020001810	S.CER SFECV10M7FA00-R0 (SFECV10.7MA5S)	T	148.4/48.8
L100	6200003261	S.COL NLV32T-101J	B	51.7/20.8
L106	6200003261	S.COL NLV32T-101J	B	36.5/32.5
L200	6200003261	S.COL NLV32T-101J	B	17/8.1
L300	6200003261	S.COL NLV32T-101J	T	36.4/18.9
L301	6200003261	S.COL NLV32T-101J	B	127.8/8.3
L350	6200003261	S.COL NLV32T-101J	B	106.5/17.3
L450	6200005491	S.COL NLV32T-331J	B	119.8/61.9
L550	6150004971	S.COL LS-522-LF	T	123.2/38.6
L551	6150004971	S.COL LS-522-LF	T	120.3/48.8
L552	6200003261	S.COL NLV32T-101J	B	118.1/58.5
L601	6200003261	S.COL NLV32T-101J	B	102/94.9
L602	6200003261	S.COL NLV32T-101J	B	102/97.9
L603	6200003261	S.COL NLV32T-101J	B	102/100.9
L604	6200003261	S.COL NLV32T-101J	B	78.2/114.1
L605	6200003261	S.COL NLV32T-101J	B	78.2/117.7
L606	6200003261	S.COL NLV32T-101J	B	78.2/121.3
L750	6200001831	S.COL NLV32T-100J	B	74.6/50.5
L900	6200001831	S.COL NLV32T-100J	T	91.3/65.5
L930	6130002970	COL LB-343	T	
L1000	6200001831	S.COL NLV32T-100J	B	64.9/70.2
L1001	6200003261	S.COL NLV32T-101J	T	61.3/55.3
L1300	6200003300	S.COL ELJNC R22K-F	B	76.5/108.7
L1302	6200001920	S.COL ELJNC R15K-F	B	62.1/108.8
L1351	6200001920	S.COL ELJNC R15K-F	B	71.4/97.3
L2051	6200005701	S.COL ELJRE 22NGFA	T	42.8/60.7
L2052	6200005661	S.COL ELJRE 10NGFA	T	49/62.2
L2053	6200005691	S.COL ELJRE 18NGFA	T	44.7/51.8
L2101	6200005741	S.COL ELJRE 47NGFA	T	38.8/50.4
L2201	6200005011	S.COL NLV25T-100J	B	55.6/71.6
L2202	6200005731	S.COL ELJRE 39NGFA	B	55.6/64.9
L2203	6200005661	S.COL ELJRE 10NGFA	T	44.1/66.1
L2400	6200007001	S.COL ELJRE 82NGFA	T	25/43.1
L2401	6200006671	S.COL ELJRE 68NGFA	T	22.9/42.5
L2402	6200009531	S.COL ELJRE R15GFA	T	18.8/45.3
L2403	6200009101	S.COL ELJRE R18GFA	T	16.8/45.8
L2510	6200003261	S.COL NLV32T-101J	B	6/116.4
L2511	6200003261	S.COL NLV32T-101J	T	6.3/118.8
L2512	6200003261	S.COL NLV32T-101J	T	6.4/115.8
L2513	6200003261	S.COL NLV32T-101J	B	19.7/96.7
L2514	6200003261	S.COL NLV32T-101J	B	19.7/93.2
L2515	6200003261	S.COL NLV32T-101J	B	19.7/89.7
L2516	6200003261	S.COL NLV32T-101J	B	19.7/86.2
L2553	6200005681	S.COL ELJRE 15NGFA	B	37.9/87.5
L3002	6200010770	S.COL C2520C-R68G-A [EUR], [UK]	B	52.3/122.9
L3003	6140002551	S.COL #617DB-1919-P3	T	49.1/115.9
L3010	6200009181	S.COL ELJRE R10JFA	B	50/114
L3011	6200009181	S.COL ELJRE R10JFA	B	45.2/116.4
L3101	6200005631	S.COL ELJRE 5N6ZFA	B	31.6/121.6
L3102	6200005651	S.COL ELJRE 8N2ZFA	B	29.1/120.6
L3103	6200005691	S.COL ELJRE 18NGFA	B	23.9/115.8
L3104	6200005691	S.COL ELJRE 12NGFA	B	22.6/118
L3105	6200006681	S.COL ELJRE R10GFA	B	25.1/126.4
L3106	6200003261	S.COL NLV32T-101J	B	18.6/126.1
L4000	6200001831	S.COL NLV32T-100J	B	150.3/65.2
L4001	6200003261	S.COL NLV32T-101J	B	170.6/81.1
L4002	6200003261	S.COL NLV32T-101J	B	170.6/84.6
L4003	6200003261	S.COL NLV32T-101J	B	

[PLL UNIT]

REF NO.	ORDER NO.	DESCRIPTION	M.	H/V LOCATION
L4452	6200003261	S.COL NLV32T-101J	B	149.6/93.1
L4453	6200003261	S.COL NLV32T-101J	B	149.6/89.6
L4454	6200003261	S.COL NLV32T-101J	B	149.6/86.1
L4501	6200003261	S.COL NLV32T-101J	B	160.7/119
L4502	6200003261	S.COL NLV32T-101J	B	160.7/122
L4503	6200001920	S.COL ELJNC R15K-F	B	166.2/91.7
L5000	6200005491	S.COL NLV32T-331J	B	120.9/72.6
L5002	6200010800	S.COL C2520C-4R7G-A	T	133.5/102
L5003	6200010800	S.COL C2520C-4R7G-A	T	135.1/87.8
L5100	6190001281	COL #E544GN-110248		
L5101	6200003261	S.COL NLV32T-101J	B	122.1/97
L5102	6200002631	S.COL NLV25T-R10J	T	118.9/95.7
L5103	6200003331	S.COL NLV32T-1R0J	B	116.5/91.5
L5150	6200001831	S.COL NLV32T-100J	T	116.1/108.8
L5151	6200010660	S.COL C2520C-R15G-A (0.15U)	T	122.6/113.8
L5152	6200010670	S.COL C2520C-R18G-A (0.18U)	T	118.6/118.5
L5200	6200001831	S.COL NLV32T-100J	T	123.5/108.8
L5201	6200010660	S.COL C2520C-R15G-A (0.15U)	T	128/114.8
L5202	6200010670	S.COL C2520C-R18G-A (0.18U)	T	131.2/118.1
L5300	6200001831	S.COL NLV32T-100J	B	145.5/34.9
L5500	6200001831	S.COL NLV32T-100J	T	131.4/51
L5501	6200002641	S.COL NLV25T-R15J	T	131.1/41.7
L5502	6200002841	S.COL NLV25T-R22J	T	130.4/38.8
L5601	6130002970	COL LB-343		
L5602	6200001831	S.COL NLV32T-100J	T	159.6/17.4
R107	7030003550	S.RES ERJ3GEYJ 822 V (8.2 k)	T	41.7/22.1
R108	7030003550	S.RES ERJ3GEYJ 822 V (8.2 k)	T	43.1/22.1
R109	7030003550	S.RES ERJ3GEYJ 822 V (8.2 k)	T	44.4/22.1
R110	7030003550	S.RES ERJ3GEYJ 822 V (8.2 k)	T	39.3/32.9
R111	7030003360	S.RES ERJ3GEYJ 221 V (220)	T	45/31.7
R112	7030003360	S.RES ERJ3GEYJ 221 V (220)	T	31.5/7.8
R113	7030003360	S.RES ERJ3GEYJ 221 V (220)	T	31.9/16.8
R114	7030003360	S.RES ERJ3GEYJ 221 V (220)	T	30.3/7.8
R115	7030003360	S.RES ERJ3GEYJ 221 V (220)	T	30.7/16.8
R116	7030003360	S.RES ERJ3GEYJ 221 V (220)	T	28.3/16.8
R117	7030003360	S.RES ERJ3GEYJ 221 V (220)	T	26.7/7.8
R118	7030003360	S.RES ERJ3GEYJ 221 V (220)	T	25.5/7.8
R119	7030003360	S.RES ERJ3GEYJ 221 V (220)	T	29.5/16.8
R120	7030003360	S.RES ERJ3GEYJ 221 V (220)	T	24.7/16.8
R121	7030003360	S.RES ERJ3GEYJ 221 V (220)	T	24.3/7.8
R122	7030003550	S.RES ERJ3GEYJ 822 V (8.2 k)	T	45/33.7
R124	7030003550	S.RES ERJ3GEYJ 822 V (8.2 k)	T	41.6/32.5
R125	7030003550	S.RES ERJ3GEYJ 822 V (8.2 k)	T	42.9/32.5
R205	7030003640	S.RES ERJ3GEYJ 473 V (47 k)	T	33.7/30.5
R206	7030003640	S.RES ERJ3GEYJ 473 V (47 k)	T	19.1/30.5
R207	7030003640	S.RES ERJ3GEYJ 473 V (47 k)	T	32.4/30.5
R208	7030003640	S.RES ERJ3GEYJ 473 V (47 k)	T	17.8/30.5
R209	7030003640	S.RES ERJ3GEYJ 473 V (47 k)	T	31.1/30.5
R210	7030003640	S.RES ERJ3GEYJ 473 V (47 k)	T	16.5/30.5
R211	7030003640	S.RES ERJ3GEYJ 473 V (47 k)	T	29.8/30.5
R212	7030003640	S.RES ERJ3GEYJ 473 V (47 k)	T	15.2/30.5
R213	7030003640	S.RES ERJ3GEYJ 473 V (47 k)	T	28.5/30.5
R214	7030003640	S.RES ERJ3GEYJ 473 V (47 k)	T	13.9/30.5
R215	7030003640	S.RES ERJ3GEYJ 473 V (47 k)	T	27.2/30.5
R216	7030003640	S.RES ERJ3GEYJ 473 V (47 k)	T	12.6/30.5
R217	7030003640	S.RES ERJ3GEYJ 473 V (47 k)	T	25.9/30.5
R218	7030003640	S.RES ERJ3GEYJ 473 V (47 k)	T	11.3/30.5
R219	7030003640	S.RES ERJ3GEYJ 473 V (47 k)	T	24.6/30.5
R220	7030003640	S.RES ERJ3GEYJ 473 V (47 k)	T	10/30.5
R221	7030003200	S.RES ERJ3GEYJ 100 V (10)	B	34/34.7
R222	7030003200	S.RES ERJ3GEYJ 100 V (10)	B	32.7/33.9
R223	7030003200	S.RES ERJ3GEYJ 100 V (10)	B	31.4/34.7
R224	7030003200	S.RES ERJ3GEYJ 100 V (10)	B	30.1/33.9
R225	7030003200	S.RES ERJ3GEYJ 100 V (10)	B	28.8/34.7
R226	7030003200	S.RES ERJ3GEYJ 100 V (10)	B	27.5/33.9
R227	7030003200	S.RES ERJ3GEYJ 100 V (10)	B	26.2/34.7
R228	7030003200	S.RES ERJ3GEYJ 100 V (10)	B	24.9/33.9
R229	7030003200	S.RES ERJ3GEYJ 100 V (10)	B	19/33.9
R230	7030003200	S.RES ERJ3GEYJ 100 V (10)	B	17.8/33.9
R232	7030003200	S.RES ERJ3GEYJ 100 V (10)	B	15.2/33.9
R233	7030003200	S.RES ERJ3GEYJ 100 V (10)	B	13.9/33.9
R234	7030003200	S.RES ERJ3GEYJ 100 V (10)	B	12.6/33.9
R235	7030003200	S.RES ERJ3GEYJ 100 V (10)	B	11.3/33.9
R236	7030003200	S.RES ERJ3GEYJ 100 V (10)	B	10/33.9
R350	7030003360	S.RES ERJ3GEYJ 221 V (220)	T	112.9/17.6
R351	7030003360	S.RES ERJ3GEYJ 221 V (220)	T	111.6/17.6
R352	7030003360	S.RES ERJ3GEYJ 221 V (220)	T	110.3/17.6
R401	7030010260	S.RES ERJ1TYJ 3R3 (S)	T	45.8/13.9
R402	7030011220	S.RES ERJ1TY 180U (18)	B	78.8/20.3
R403	7030011220	S.RES ERJ1TY 180U (18)	B	78.8/16.6
R450	7030003340	S.RES ERJ3GEYJ 151 V (150)	T	127.3/56.6
R451	7030003240	S.RES ERJ3GEYJ 220 V (22)	T	124.6/60.9
R452	7030003640	S.RES ERJ3GEYJ 473 V (47 k)	T	127.3/59
R453	7030003360	S.RES ERJ3GEYJ 221 V (220)	T	127.5/62.8
R454	7030003320	S.RES ERJ3GEYJ 101 V (100)	T	132.7/64.1
R455	7030003860	S.RES ERJ3GE JPW V	T	132.7/62.8
R500	7030003440	S.RES ERJ3GEYJ 102 V (1 k)	T	65.9/39.8
R501	7030003320	S.RES ERJ3GEYJ 101 V (100)	T	69.6/36.1
R502	7030003480	S.RES ERJ3GEYJ 222 V (2.2 k)	T	65.9/33.6
R550	7030003400	S.RES ERJ3GEYJ 471 V (470)	T	125/45.5
R551	7030003600	S.RES ERJ3GEYJ 223 V (22 k)	T	119.9/42.9
R552	7030003560	S.RES ERJ3GEYJ 103 V (10 k)	T	126.2/43.4
R553	7030003260	S.RES ERJ3GEYJ 330 V (33)	B	118.4/47.8
R605	7030003860	S.RES ERJ3GE JPW V	B	130.4/32.9
R606	7030003410	S.RES ERJ3GEYJ 561 V (560)	T	118.4/39.1
R607	7030007860	S.RES ERJ3GEYJ 8R2V (8.2)	T	119.5/36.5
R608	7030003410	S.RES ERJ3GEYJ 561 V (560)	T	117.2/36.5
R650	7030007220	S.RES ERA3YED 202V (2 k)	T	78.5/33
R651	7030007220	S.RES ERA3YED 202V (2 k)	T	79.2/34.9
R652	7030007230	S.RES ERA3YED 102V (1 k)	T	80.6/32.7
R653	7030007220	S.RES ERA3YED 202V (2 k)	T	80.6/35.3
R654	7030007230	S.RES ERA3YED 102V (1 k)	T	81.9/32.7

[PLL UNIT]

REF NO.	ORDER NO.	DESCRIPTION	M.	H/V LOCATION
R655	7030007220	S.RES ERA3YED 202V (2 k)	T	81.9/35.3
R656	7030007230	S.RES ERA3YED 102V (1 k)	T	83.3/32.7
R657	7030007220	S.RES ERA3YED 202V (2 k)	T	83.2/35.3
R658	7030007230	S.RES ERA3YED 102V (1 k)	T	84.5/32.7
R659	7030007220	S.RES ERA3YED 202V (2 k)	T	84.5/35.3
R660	7030007230	S.RES ERA3YED 102V (1 k)	T	85.8/32.7
R661	7030007220	S.RES ERA3YED 202V (2 k)	T	85.8/35.3
R662	7030007230	S.RES ERA3YED 102V (1 k)	T	87.1/32.7
R663	7030007220	S.RES ERA3YED 202V (2 k)	T	87.1/35.3
R664	7030007210	S.RES ERA3YED 102V (1 k)	T	88.4/32.7
R665	7030007200	S.RES ERA3YED 202V (2 k)	T	88.4/35.3
R666	7030007210	S.RES ERA3YED 102V (1 k)	T	90.4/32.7
R667	7030007200	S.RES ERA3YED 202V (2 k)	T	90/35.6
R668	7030007210	S.RES ERA3YED 102V (1 k)	T	92.4/32.4
R669	7030007200	S.RES ERA3YED 202V (2 k)	T	92.6/35.6
R670	7030007210	S.RES ERA3YED 102V (1 k)	T	93.7/32.4
R671	7030007200	S.RES ERA3YED 202V (2 k)	T	95.2/35.6
R672	7030007210	S.RES ERA3YED 102V (1 k)	T	95.5/32.4
R673	7030007200	S.RES ERA3YED 202V (2 k)	T	98.5/34.1
R700	7030003440	S.RES ERJ3GEYJ 102 V (1 k)	B	96.9/44.3
R701	7030003800	S.RES ERJ3GEYJ 105 V (1 M)	T	102.1/52.5
R702	7030003200	S.RES ERJ3GEYJ 100 V (10)	T	99.6/48.4
R703	7030003860	S.RES ERJ3GE JPW V	T	103.9/47
R704	7030003400	S.RES ERJ3GEYJ 471 V (470)	T	101.7/32.7
R705	7030003860	S.RES ERJ3GE JPW V	T	100.7/35.7
R706	7030003860	S.RES ERJ3GE JPW V	T	102.9/32.7
R750	7030003360	S.RES ERJ3GEYJ 221 V (220)	T	76.4/44.4
R751	7030003440	S.RES ERJ3GEYJ 102 V (1 k)	T	76.4/43.2
R752	7030003800	S.RES ERJ3GEYJ 105 V (1 M)	T	75.3/51.2
R753	7030003440	S.RES ERJ3GEYJ 102 V (1 k)	T	76.4/41.6
R754	7030003440	S.RES ERJ3GEYJ 102 V (1 k)	T	76.4/40.3
R755	7030003440	S.RES ERJ3GEYJ 102 V (1 k)	T	77.7/58.4
R756	7030003860	S.RES ERJ3GE JPW V	T	76.5/51.2
R757	7030003320	S.RES ERJ3GEYJ 101 V (100)	T	77.7/51.2
R758	7030003440	S.RES ERJ3GEYJ 102 V (1 k)	B	95.2/57
R760	7030003320	S.RES ERJ3GEYJ 101 V (100)	B	77.5/44.4
R800	7030003860	S.RES ERJ3GE JPW V	B	95.8/63.5
R802	7030003240	S.RES ERJ3GEYJ 220 V (22)	B	106.4/59.8
R803	7030003640	S.RES ERJ3GEYJ 473 V (47 k)	B	101.6/59.8
R804	7030003360	S.RES ERJ3GEYJ 221 V (220)	B	103.2/59.8
R830	7030003500	S.RES ERJ3GEYJ 332 V (3.3 k)	B	102.6/83.9
R831	7030003470	S.RES ERJ3GEYJ 182 V (1.8 k)	B	101.1/85.9
R832	7030003470	S.RES ERJ3GEYJ 182 V (1.8 k)	B	97.1/88.2
R834	7030003500	S.RES ERJ3GEYJ 332 V (3.3 k)	B	99.5/89
R835	7010003281	RES PSD1/4V 100	B	91.4/87.4
R835	7030003320	S.RES ERJ3GEYJ 101 V (100)	B	91.4/87.4
R836	7030003840	S.RES ERJ3GEYJ 225 V (2.2 M)	T	96/60.7
R837	7030005321	S.RES ERA3YED 103V (10 k)	T	93.9/57.7
R838	7030010600	S.RES ERA3YHD 150V (15)	T	96/59.4
R839	7030009661	S.RES ERA3YED 121V (120)	T	91.2/57.2
R860	7030003860	S.RES ERJ3GE JPW V	B	90.5/65.8
R861	7030003400	S.RES ERJ3GEYJ 471 V (470)	B	92.7/63.5
R862	7030003860	S.RES ERJ3GE JPW V	B	93/66.9
R863	7030003320	S.RES ERJ3GEYJ 101 V (100)	B	92.5/73.7
R864	7030003360	S.RES ERJ3GEYJ 221 V (220)	B	92.2/72.1
R865	7030003640	S.RES ERJ3GEYJ 473 V (47 k)	B	91.4/69.7
R900	7030003320	S.RES ERJ3GEYJ 101 V (100)	B	86.7/73.9
R901	7030003350	S.RES ERJ3GEYJ 181 V (180)	T	89.7/73.5
R902	7030003340	S.RES ERJ3GEYJ 151 V (150)	T	88.4/65.5
R903	7030003680	S.RES ERJ3GEYJ 104 V (100 k)	T	91/73.5
R904	7030003680	S.RES ERJ3GEYJ 104 V (100 k)	T	88.7/70.3
R930	7030003560	S.RES ERJ3GEYJ 103 V (10 k)	T	101/65.8
R931	7030003560	S.RES ERJ3GEYJ 103 V (10 k)	T	103/68.6
R932	7030003440	S.RES ERJ3GEYJ 102 V (1 k)	B	104.9/66.8
R1000	7030003490	S.RES ERJ3GEYJ 272 V (2.7 k)	T	69.4/73.4
R1001	7030003320	S.RES ERJ3GEYJ 101 V (100)	B	70.7/67.1
R1002	7030003360	S.RES ERJ3GEYJ 221 V (220)	B	63.4/58.5
R1003	7030003360	S.RES ERJ3GEYJ 221 V (220)	B	65.2/55.5
R1004	7030003360	S.RES ERJ3GEYJ 221 V (220)	B	67/58.5
R1005	7030003440	S.RES ERJ3GEYJ 102 V (1 k)	T	70.7/65.8
R1006	7030003520	S.RES ERJ3GEYJ 472 V (4.7 k)	T	60.6/58.6
R1007	7030009961	S.RES ERA3YED 221V (220)	B	68.5/71.4
R1009	7030007230	S.RES ERA3YED 102V (1 k)	B	70.1/69.5
R1010	7030007230	S.RES ERA3YED 102V (1 k)	B	73.8/69.1
R1011	7030003860	S.RES ERJ3GE JPW V	B	79.8/82.9
R1014	7030003860	S.RES ERJ3GE JPW V	B	74.6/66.3
R1016	7030003860	S.RES ERJ3GE JPW V	B	70.5/60.3
R1303	7030003220	S.RES ERJ3GEYJ 150 V (15)	B	71.1/111.8
R1304	7030003270	S.RES ERJ3GEYJ 390 V (39)	B	69.3/108.7
R1305	7030003260	S.RES ERJ3GEYJ 330 V (33)	B	68.5/

[PLL UNIT]

REF NO.	ORDER NO.	DESCRIPTION	M.	H/V LOCATION
R2107	7030003860	S.RES ERJ3GE JPW V	T	39.7/55.2
R2200	7030003440	S.RES ERJ3GEYJ 102 V (1 k)	B	59.1/107.1
R2300	7030003560	S.RES ERJ3GEYJ 103 V (10 k)	T	41.7/46.5
R2301	7030003200	S.RES ERJ3GEYJ 100 V (10)	T	43.8/43
R2302	7030003860	S.RES ERJ3GE JPW V	T	39.8/45.6
R2304	7030003310	S.RES ERJ3GEYJ 820 V (82)	T	26.2/43.3
	7030003320	S.RES ERJ3GEYJ 101 V (100) except [FRA], [AUS], [CHN]	T	26.2/43.3
R2306	7030003320	S.RES ERJ3GEYJ 101 V (100)	T	26.4/5.9
R2307	7030003200	S.RES ERJ3GEYJ 100 V (10)	T	37/42.2
R2308	7030003440	S.RES ERJ3GEYJ 102 V (1 k)	T	31.6/43.6
R2309	7030003560	S.RES ERJ3GEYJ 103 V (10 k)	T	29.5/46.9
R2310	7030003200	S.RES ERJ3GEYJ 100 V (10)	T	27.4/43
R2500	7030003350	S.RES ERJ3GEYJ 181 V (180)	T	5.6/84.5
R2501	7030003250	S.RES ERJ3GEYJ 270 V (27)	T	7.6/83.7
R2502	7030003350	S.RES ERJ3GEYJ 181 V (180)	T	5.6/83
R2561	7030003520	S.RES ERJ3GEYJ 472 V (4.7 k)	B	19.4/116.1
R2562	7030003440	S.RES ERJ3GEYJ 102 V (1 k)	B	21.9/109.9
R2563	7030003520	S.RES ERJ3GEYJ 472 V (4.7 k)	B	19.4/121.2
R2564	7030003440	S.RES ERJ3GEYJ 102 V (1 k)	B	19.4/109.2
R2565	7030003430	S.RES ERJ3GEYJ 821 V (820)	B	37.2/81.7
R2566	7030004030	S.RES ERJ3GEYJ 5R6 V (5.6)	B	40.5/81.7
R2567	7030003430	S.RES ERJ3GEYJ 821 V (820)	B	43/80.9
R2571	7030003330	S.RES ERJ3GEYJ 121 V (120)	B	30/93.4
R2572	7030003290	S.RES ERJ3GEYJ 560 V (56)	B	29.2/90.8
R2573	7030003330	S.RES ERJ3GEYJ 121 V (120)	B	29.2/87.5
R2574	7030003200	S.RES ERJ3GEYJ 100 V (10)	B	37.9/90.8
R3003	7030003520	S.RES ERJ3GEYJ 472 V (4.7 k)	B	11.9/85.7
R3006	7030003370	S.RES ERJ3GEYJ 271 V (270)	B	48.4/121.2
R3007	7030003230	S.RES ERJ3GEYJ 180 V (18)	B	47.6/123.6
R3008	7030003370	S.RES ERJ3GEYJ 271 V (270)	B	46.8/121.2
R3009	7030003320	S.RES ERJ3GEYJ 101 V (100)	B	51.6/112.4
R3012	7030003320	S.RES ERJ3GEYJ 101 V (100)	B	43.6/118
R3013	7030003380	S.RES ERJ3GEYJ 331 V (330)	T	46.1/124
R3014	7030003400	S.RES ERJ3GEYJ 471 V (470)	B	51.6/120.4
R3015	7030003480	S.RES ERJ3GEYJ 222 V (2.2 k)	B	51.6/118.8
R3016	7030003200	S.RES ERJ3GEYJ 100 V (10)	B	55.5/120.2
R3101	7030003440	S.RES ERJ3GEYJ 102 V (1 k)	B	28.4/123.9
R3102	7030003440	S.RES ERJ3GEYJ 102 V (1 k)	B	21.9/123.9
R4000	7030003400	S.RES ERJ3GEYJ 471 V (470)	T	155.2/67
R4001	7030003360	S.RES ERJ3GEYJ 221 V (220)	B	151.7/61.4
R4002	7030003320	S.RES ERJ3GEYJ 101 V (100)	B	153.5/61.4
R4003	7030003360	S.RES ERJ3GEYJ 221 V (220)	B	147.3/59.3
R4004	7030003360	S.RES ERJ3GEYJ 221 V (220)	B	148.5/60.7
R4005	7030003360	S.RES ERJ3GEYJ 221 V (220)	B	148.5/62.5
R4006	7030003440	S.RES ERJ3GEYJ 102 V (1 k)	B	151.9/54.7
R4007	7030003840	S.RES ERJ3GEYJ 225 V (2.2 M)	B	159.7/65.6
R4050	7030007230	S.RES ERA3YED 102V (1 k)	T	157.1/64.1
R4051	7030007661	S.RES ERA3YED 331V (330)	T	158.4/64.1
R4403	7030003200	S.RES ERJ3GEYJ 100 V (10)	B	139/107
R4404	7030003440	S.RES ERJ3GEYJ 102 V (1 k)	B	151.6/96.1
R4450	7030003440	S.RES ERJ3GEYJ 102 V (1 k)	B	158/90.6
R4451	7030003440	S.RES ERJ3GEYJ 102 V (1 k)	B	152.8/99.9
R4452	7030003680	S.RES ERJ3GEYJ 104 V (100 k)	B	164.3/86.1
R4453	7030003440	S.RES ERJ3GEYJ 102 V (1 k)	B	160.1/98.6
R4454	7030003680	S.RES ERJ3GEYJ 104 V (100 k)	B	167.1/18.5
R4504	7030003320	S.RES ERJ3GEYJ 101 V (100)	B	169.8/117.9
R4505	7030003310	S.RES ERJ3GEYJ 820 V (82)	B	172.5/119.4
R4512	7030003220	S.RES ERJ3GEYJ 150 V (15)	B	160.1/102.5
R4513	7030003220	S.RES ERJ3GEYJ 150 V (15)	B	160.8/105
R4514	7030003240	S.RES ERJ3GEYJ 220 V (22)	B	162.6/101.7
R4515	7030003200	S.RES ERJ3GEYJ 100 V (10)	B	170.4/94.2
R4516	7030003230	S.RES ERJ3GEYJ 180 V (18)	B	161.4/91.5
R4517	7030003370	S.RES ERJ3GEYJ 271 V (270)	B	160.7/94.1
R4518	7030003370	S.RES ERJ3GEYJ 271 V (270)	B	160.7/89
R4519	7030003340	S.RES ERJ3GEYJ 151 V (150)	B	165.2/101
R4520	7030007860	S.RES ERJ3GEYJ 8R2V (8.2)	B	162.6/98.4
R5000	7030003360	S.RES ERJ3GEYJ 221 V (220)	B	123.3/71.4
R5001	7030003360	S.RES ERJ3GEYJ 221 V (220)	B	125.1/71.4
R5002	7030003360	S.RES ERJ3GEYJ 221 V (220)	B	124.2/68.8
R5004	7030003320	S.RES ERJ3GEYJ 101 V (100)	B	149.3/81.1
R5005	7030003440	S.RES ERJ3GEYJ 102 V (1 k)	B	130.2/70.9
R5006	7030003320	S.RES ERJ3GEYJ 101 V (100)	B	128/73
R5007	7030003500	S.RES ERJ3GEYJ 332 V (3.3 k)	B	141.5/74.7
R5008	7030003860	S.RES ERJ3GE JPW V	T	129.6/78.8
R5009	7030003470	S.RES ERJ3GEYJ 182 V (1.8 k)	B	141.5/76.5
R5010	7030003500	S.RES ERJ3GEYJ 332 V (3.3 k)	B	140.2/82.9
R5011	7030003470	S.RES ERJ3GEYJ 182 V (1.8 k)	B	135.2/101.8
R5013	7030010450	S.RES ERA3YED 391V (390)	T	130.5/76.2
R5014	7030003860	S.RES ERJ3GE JPW V	T	130.5/77.5
R5015	7030003840	S.RES ERJ3GEYJ 225 V (2.2 M)	B	140.2/86.4
R5016	7030003440	S.RES ERJ3GEYJ 102 V (1 k)	B	131.4/98.7
R5017	7030003440	S.RES ERJ3GEYJ 102 V (1 k)	B	136/92.2
R5019	7030003860	S.RES ERJ3GE JPW V	B	118.9/64.2
R5020	7030003240	S.RES ERJ3GEYJ 220 V (22)	B	115.9/71.6
R5021	7030003360	S.RES ERJ3GEYJ 221 V (220)	B	115.9/69.8
R5022	7030003640	S.RES ERJ3GEYJ 473 V (47 k)	B	116.6/67.2
R5100	7030003320	S.RES ERJ3GEYJ 101 V (100)	B	124.9/100.8
R5101	7030003680	S.RES ERJ3GEYJ 104 V (100 k)	T	126.6/102.8
R5102	7030003680	S.RES ERJ3GEYJ 104 V (100 k)	B	128.7/102.8
R5103	7030003370	S.RES ERJ3GEYJ 271 V (270)	B	122.9/93.5
R5104	7030003500	S.RES ERJ3GEYJ 332 V (3.3 k)	T	120.8/98
R5105	7030003550	S.RES ERJ3GEYJ 822 V (8.2 k)	T	120.8/102.5
R5106	7030003320	S.RES ERJ3GEYJ 101 V (100)	B	119.4/95.7
R5107	7030003370	S.RES ERJ3GEYJ 271 V (270)	T	119.5/102.7
R5108	7030003400	S.RES ERJ3GEYJ 471 V (470)	B	115.7/102.5
R5109	7030003370	S.RES ERJ3GEYJ 271 V (270)	B	117.5/102.5
R5110	7030003230	S.RES ERJ3GEYJ 180 V (18)	B	117.5/105.8
R5111	7030003370	S.RES ERJ3GEYJ 271 V (270)	B	120.1/110
R5112	7030003200	S.RES ERJ3GEYJ 100 V (10)	B	120.5/85.7
R5113	7030003860	S.RES ERJ3GE JPW V	B	120.9/107.8
R5150	7030003400	S.RES ERJ3GEYJ 471 V (470)	T	123.7/106.6
R5151	7030003510	S.RES ERJ3GEYJ 392 V (3.9 k)	T	119.8/108

[PLL UNIT]

REF NO.	ORDER NO.	DESCRIPTION	M.	H/V LOCATION
R5152	7030003510	S.RES ERJ3GEYJ 392 V (3.9 k)	T	118.1/106.6
R5153	7030003360	S.RES ERJ3GEYJ 221 V (220)	T	116.8/112.3
R5154	7030003370	S.RES ERJ3GEYJ 271 V (270)	T	122.2/116.7
R5155	7030003230	S.RES ERJ3GEYJ 180 V (18)	T	122.2/118
R5156	7030003370	S.RES ERJ3GEYJ 271 V (270)	T	124.2/117.3
R5200	7030003400	S.RES ERJ3GEYJ 471 V (470)	T	127.3/106.2
R5201	7030003510	S.RES ERJ3GEYJ 392 V (3.9 k)	T	127.3/107.4
R5202	7030003510	S.RES ERJ3GEYJ 392 V (3.9 k)	T	130.6/106.9
R5203	7030003360	S.RES ERJ3GEYJ 221 V (220)	T	127.2/111.2
R5204	7030003370	S.RES ERJ3GEYJ 271 V (270)	T	131.6/121.7
R5205	7030003230	S.RES ERJ3GEYJ 180 V (18)	T	134.2/118.1
R5206	7030003370	S.RES ERJ3GEYJ 271 V (270)	T	137/118.1
R5299	7030003440	S.RES ERJ3GEYJ 102 V (1 k)	B	166.1/37.2
R5300	7030003320	S.RES ERJ3GEYJ 101 V (100)	B	156.4/40.7
R5301	7030003440	S.RES ERJ3GEYJ 102 V (1 k)	B	145.3/37
R5302	7030003360	S.RES ERJ3GEYJ 221 V (220)	B	164.1/34.9
R5303	7030003440	S.RES ERJ3GEYJ 102 V (1 k)	B	164.1/38
R5304	7030003440	S.RES ERJ3GEYJ 102 V (1 k)	B	164.3/40.5
R5305	7030003800	S.RES ERJ3GEYJ 105 V (1 M)	B	162.5/38.3
R5306	7030007220	S.RES ERA3YED 202V (2 k)	T	163.6/53.1
R5307	7030007220	S.RES ERA3YED 202V (2 k)	T	164.8/47.4
R5308	7030007220	S.RES ERA3YED 202V (2 k)	T	163.6/47.8
R5309	7030007230	S.RES ERA3YED 102V (1 k)	T	163.6/51.2
R5310	7030007220	S.RES ERA3YED 202V (2 k)	T	162.4/48.2
R5311	7030007230	S.RES ERA3YED 102V (1 k)	T	162.4/51.2
R5312	7030007220	S.RES ERA3YED 202V (2 k)	T	161.2/48.6
R5313	7030007230	S.RES ERA3YED 102V (1 k)	T	161.2/51.2
R5314	7030007220	S.RES ERA3YED 202V (2 k)	T	160/48.6
R5315	7030007230	S.RES ERA3YED 102V (1 k)	T	160/51.2
R5316	7030007220	S.RES ERA3YED 202V (2 k)	T	158.8/48.6
R5317	7030007230	S.RES ERA3YED 102V (1 k)	T	158.8/51.2
R5318	7030007220	S.RES ERA3YED 202V (2 k)	T	157.6/48.6
R5319	7030007230	S.RES ERA3YED 102V (1 k)	T	157.6/51.2
R5320	7030007200	S.RES ERA3YEB 202V (2 k)	T	156.4/48.6
R5321	7030007210	S.RES ERA3YEB 102V (1 k)	T	156.4/51.2
R5322	7030007200	S.RES ERA3YEB 202V (2 k)	T	155.2/48.6
R5323	7030007210	S.RES ERA3YEB 102V (1 k)	T	155.2/51.2
R5324	7030007200	S.RES ERA3YEB 202V (2 k)	T	154/48.6
R5325	7030007210	S.RES ERA3YEB 102V (1 k)	T	154/51.2
R5326	7030007200	S.RES ERA3YEB 202V (2 k)	T	152.8/48.6
R5327	7030007210	S.RES ERA3YEB 102V (1 k)	T	152.8/51.2
R5328	7030007200	S.RES ERA3YEB 202V (2 k)	T	151.6/48.6
R5329	7030007210	S.RES ERA3YEB 102V (1 k)	T	151.6/51.2
R5400	7030003400	S.RES ERJ3GEYJ 471 V (470)	T	147.6/53.1
R5401	7030003400	S.RES ERJ3GEYJ 471 V (470)	T	147.1/43.7
R5402	7030003320	S.RES ERJ3GEYJ 101 V (100)	B	172.5/30.8
R5403	7030003480	S.RES ERJ3GEYJ 222 V (2.2 k)	B	166.1/28.6
R5404	7030003470	S.RES ERJ3GEYJ 182 V (1.8 k)	B	169.7/30.2
R5405	7030003360	S.RES ERJ3GEYJ 221 V (220)	B	166.4/34.1
R5406	7030003370	S.RES ERJ3GEYJ 271 V (270)	B	168.2/40.6
R5407	7030003230	S.RES ERJ3GEYJ 180 V (18)	B	170.3/39.3
R5408	7030003370	S.RES ERJ3GEYJ 271 V (270)	B	171/41.7
R5500	7030003360	S.RES ERJ3GEYJ 221 V (220)	B	130.4/45.5
R5501	7030003480	S.RES ERJ3GEYJ 222 V (2.2 k)	T	133.3/44.9
R5502	7030003370	S.RES ERJ3GEYJ 271 V (270)	T	135.5/49.4
R5503	7030003470	S.RES ERJ3GEYJ 182 V (1.8 k)	T	133.2/48.8
R5504	7030003440	S.RES ERJ3GEYJ 102 V (1 k)	T	131.3/45.5
R5505	7030003370			

[PLL UNIT]

REF NO.	ORDER NO.	DESCRIPTION	M.	H/V LOCATION
C213	4030011600	S.CER C1608 JB 1E 104K-T	B	6.2/22.1
C300	4030011600	S.CER C1608 JB 1E 104K-T	B	130/7.9
C301	4030011600	S.CER C1608 JB 1E 104K-T	T	19.8/22.3
C303	4030011600	S.CER C1608 JB 1E 104K-T	T	34.8/22.9
C350	4510008500	S.ELE EEE1CA101WP	T	102.2/22.2
C351	4030006880	S.CER C1608 JB 1H 472K-T	T	107.1/20.8
C352	4030017810	S.CER C1608 CH 1H 102J-T	T	107.1/23.6
C400	4510008500	S.ELE EEE1CA101WP	T	64/8.3
C401	4510008500	S.ELE EEE1CA101WP	T	96.4/6.5
C403	4030011600	S.CER C1608 JB 1E 104K-T	B	37.6/9.2
C404	4030011600	S.CER C1608 JB 1E 104K-T	B	88.8/10.8
C406	4030011600	S.CER C1608 JB 1E 104K-T	B	37.6/6.2
C407	4030011600	S.CER C1608 JB 1E 104K-T	B	80.9/10.8
C409	4510008520	S.ELE EEE1CA470SP	T	40.5/8.3
C410	4510008520	S.ELE EEE1CA470SP	T	72.9/5.5
C450	4030011600	S.CER C1608 JB 1E 104K-T	T	127.3/57.8
C451	4030011600	S.CER C1608 JB 1E 104K-T	T	130.1/62.8
C452	4030011600	S.CER C1608 JB 1E 104K-T	T	124.6/62.1
C500	4030011600	S.CER C1608 JB 1E 104K-T	T	68.4/36.1
C501	4510008540	S.ELE EEE1CA100SR	T	69/40.4
C503	4030017810	S.CER C1608 CH 1H 102J-T	T	64.7/39.8
C550	4030007070	S.CER C1608 CH 1H 330J-T	T	118.1/41.3
C551	4030009540	S.CER C1608 CH 1H 1R5B-T	B	122.2/44.3
C552	4030006880	S.CER C1608 JB 1H 472K-T	T	117.2/44.6
C553	4030007070	S.CER C1608 CH 1H 330J-T	B	121.4/46.1
C554	4030011600	S.CER C1608 JB 1E 104K-T	T	126.2/45.5
C555	4030011600	S.CER C1608 JB 1E 104K-T	T	117.2/42.9
C556	4030011600	S.CER C1608 JB 1E 104K-T	B	124.9/44.8
C557	4510008500	S.ELE EEE1CA101WP	T	119.6/62.3
C558	4030011600	S.CER C1608 JB 1E 104K-T	B	119.2/49.7
C559	4030017810	S.CER C1608 CH 1H 102J-T	B	119.2/50.9
C601	4030017810	S.CER C1608 CH 1H 102J-T	B	98.4/94.9
C602	4030017810	S.CER C1608 CH 1H 102J-T	B	98.4/97.9
C603	4030017810	S.CER C1608 CH 1H 102J-T	B	98.4/100.9
C604	4030006860	S.CER C1608 JB 1H 102K-T	B	84.5/114.1
C605	4030006860	S.CER C1608 JB 1H 102K-T	B	84.5/117.7
C606	4030006860	S.CER C1608 JB 1H 102K-T	B	84.5/121.3
C700	4030006990	S.CER C1608 CH 1H 080D-T	T	91.3/35.6
C701	4030007030	S.CER C1608 CH 1H 150J-T	T	93.9/35.7
C702	4030007060	S.CER C1608 CH 1H 270J-T	T	96.5/35.7
C703	4030011600	S.CER C1608 JB 1E 104K-T	T	101.7/46.2
C704	4030011600	S.CER C1608 JB 1E 104K-T	T	100.4/32.7
C708	4030011600	S.CER C1608 JB 1E 104K-T	T	101.7/47.5
C750	4030006880	S.CER C1608 JB 1H 472K-T	B	76.3/46.8
C751	4030006880	S.CER C1608 JB 1H 472K-T	T	77.7/57.2
C752	4030011600	S.CER C1608 JB 1E 104K-T	T	76.5/49.2
C753	4030011600	S.CER C1608 JB 1E 104K-T	T	74.2/54.5
C754	4030006880	S.CER C1608 JB 1H 472K-T	T	99/57.1
C755	4030006880	S.CER C1608 JB 1H 472K-T	T	84.4/56.8
C756	4030011600	S.CER C1608 JB 1E 104K-T	B	83/52
C757	4030011600	S.CER C1608 JB 1E 104K-T	B	83/50.2
C758	4030011600	S.CER C1608 JB 1E 104K-T	B	80.2/46.9
C759	4030011600	S.CER C1608 JB 1E 104K-T	B	82.4/43.2
C761	4030011600	S.CER C1608 JB 1E 104K-T	T	97.8/57.1
C763	4030006880	S.CER C1608 JB 1H 472K-T	B	79.6/58.1
C764	4030006880	S.CER C1608 JB 1H 472K-T	B	78.8/56.8
C765	4510008540	S.ELE EEE1CA100SR	T	102.1/56.2
C766	4030006880	S.CER C1608 JB 1H 472K-T	B	79.6/55.5
C767	4030011600	S.CER C1608 JB 1E 104K-T	B	83.6/41.6
C769	4030011600	S.CER C1608 JB 1E 104K-T	B	87.5/51.8
C770	4030011600	S.CER C1608 JB 1E 104K-T	T	88.4/57.6
C771	4030011600	S.CER C1608 JB 1E 104K-T	B	91/41.7
C772	4030011600	S.CER C1608 JB 1E 104K-T	T	95.7/39.2
C773	4030011600	S.CER C1608 JB 1E 104K-T	B	90.7/51.8
C774	4030011600	S.CER C1608 JB 1E 104K-T	B	93.5/57.8
C775	4030011600	S.CER C1608 JB 1E 104K-T	B	92.7/51.8
C776	4030011600	S.CER C1608 JB 1E 104K-T	T	98.5/53.1
C777	4030011600	S.CER C1608 JB 1E 104K-T	T	97.5/48.2
C778	4030011600	S.CER C1608 JB 1E 104K-T	T	97.1/41.7
C779	4030011600	S.CER C1608 JB 1E 104K-T	T	97.1/44.4
C800	4030006880	S.CER C1608 JB 1H 472K-T	B	106.4/62.6
C801	4030006880	S.CER C1608 JB 1H 472K-T	B	97.4/63.5
C802	4030011600	S.CER C1608 JB 1E 104K-T	B	104.8/59.8
C830	4030017810	S.CER C1608 CH 1H 102J-T	B	101.1/83.1
C831	4030017810	S.CER C1608 CH 1H 102J-T	B	91.4/82
C832	4030017810	S.CER C1608 CH 1H 102J-T	B	93.9/88.2
C833	4510008760	S.ELE EEE1HA4R7SR	T	83.7/78.4
C834	4030006880	S.CER C1608 JB 1H 472K-T	T	93.9/56.5
C835	4550007520	S.TAN F931A106MAABMA	B	99.5/57.3
C860	4030006880	S.CER C1608 JB 1H 472K-T	B	93/69.7
C861	4030011600	S.CER C1608 JB 1E 104K-T	B	89.2/72.1
C900	4030006880	S.CER C1608 JB 1H 472K-T	T	88.4/73.5
C901	4030007010	S.CER C1608 CH 1H 100D-T	B	90.5/67.4
C902	4510008540	S.ELE EEE1CA100SR	T	92.7/78.9
C903	4030006880	S.CER C1608 JB 1H 472K-T	T	88.7/71.6
C904	4030016550	S.CER CM105 CH 151G 50AT	T	88.7/69
C905	4030016550	S.CER CM105 CH 151G 50AT	T	88.7/67.7
C906	4030016550	S.CER CM105 CH 151G 50AT	T	100.5/71.6
C930	4030007070	S.CER C1608 CH 1H 330J-T	T	101.8/67.8
C931	4030009910	S.CER C1608 CH 1H 040B-T	T	102.9/71.6
C932	4030007070	S.CER C1608 CH 1H 330J-T	T	101.7/71.6
C933	4550007620	S.TAN F931V224MAABMA	B	103/70.1
C1000	4030017810	S.CER C1608 CH 1H 102J-T	T	66.8/73.4
C1001	4030006880	S.CER C1608 JB 1H 472K-T	B	68/74.6
C1002	4030017810	S.CER C1608 CH 1H 102J-T	T	64/73.4
C1003	4030017810	S.CER C1608 CH 1H 102J-T	T	62.8/69.9
C1004	4030011600	S.CER C1608 JB 1E 104K-T	T	67.1/64.6
C1005	4510008540	S.ELE EEE1CA100SR	T	61.7/80
C1006	4030006860	S.CER C1608 JB 1H 102K-T	T	69.8/69.8
C1007	4030011600	S.CER C1608 JB 1E 104K-T	T	69.7/64.6
C1008	4030006880	S.CER C1608 JB 1H 472K-T	T	60.6/57.4
C1009	4550006800	S.TAN TEESVB2 1D 475M-8R	B	66.7/81.7
C1010	4550006800	S.TAN TEESVB2 1D 475M-8R	B	68.5/75.3
C1011	4510008760	S.ELE EEE1HA4R7SR	T	67.2/58.8

[PLL UNIT]

REF NO.	ORDER NO.	DESCRIPTION	M.	H/V LOCATION
C1012	4510008760	S.ELE EEE1HA4R7SR	T	67.2/53
C1014	4030017810	S.CER C1608 CH 1H 102J-T	B	76.2/72.7
C1015	4030017810	S.CER C1608 CH 1H 102J-T	B	78.4/76
C1016	4030007130	S.CER C1608 CH 1H 101J-T	T	78.4/67.2
C1019	4550007310	S.TAN F930J227MNMBA	B	72.6/75.7
C1303	4030017810	S.CER C1608 CH 1H 102J-T	B	80.6/108.4
C1304	4030011600	S.CER C1608 JB 1E 104K-T	B	78.8/108.4
C1305	4510008870	S.ELE EEE1AA471UP	T	60.8/89.2
C1306	4030017810	S.CER C1608 CH 1H 102J-T	B	67.8/108.7
C1307	4030017810	S.CER C1608 CH 1H 102J-T	B	65/109
C1308	4030006860	S.CER C1608 JB 1H 102K-T	B	61.3/111.4
C1309	4030017810	S.CER C1608 CH 1H 102J-T	B	59/110.4
C1351	4030006860	S.CER C1608 JB 1H 102K-T	B	70.8/103.4
C1352	4030006860	S.CER C1608 JB 1H 102K-T	B	72.6/100.4
C1353	4030006860	S.CER C1608 JB 1H 102K-T	B	68/97.9
C1901	4050000290	S.FED CNF10R102S-TM	T	116/29.4
C1902	4050000290	S.FED CNF10R102S-TM	T	114/29.4
C1903	4050000290	S.FED CNF10R102S-TM	T	112/29.4
C1904	4050000290	S.FED CNF10R102S-TM	T	110/29.4
C1905	4050000290	S.FED CNF10R102S-TM	T	108.9/31.7
C1906	4050000290	S.FED CNF10R102S-TM	T	108.9/33.7
C1907	4050000290	S.FED CNF10R102S-TM	T	108.9/35.7
C1908	4050000300	S.FED CNF10C470S-TM	T	65/42.5
C1909	4050000300	S.FED CNF10C470S-TM	T	66.8/45
C1910	4050000300	S.FED CNF10C470S-TM	T	64.4/44.7
C1911	4050000290	S.FED CNF10R102S-TM	T	61.2/42.1
C1912	4050000290	S.FED CNF10R102S-TM	T	59.2/42.1
C1913	4050000290	S.FED CNF10R102S-TM	T	57.4/38.7
C1914	4050000290	S.FED CNF10R102S-TM	T	55.4/38.7
C1915	4050000290	S.FED CNF10R102S-TM	T	53.7/35.2
C1916	4050000290	S.FED CNF10R102S-TM	T	52.7/37.9
C1917	4050000290	S.FED CNF10R102S-TM	T	50/38.1
C1918	4050000290	S.FED CNF10R102S-TM	T	50.1/34.1
C1919	4050000290	S.FED CNF10R102S-TM	T	49.1/36.1
C1921	4050000290	S.FED CNF10R102S-TM	T	9.3/54.5
C1922	4050000290	S.FED CNF10R102S-TM	T	1.8/53.2
C1923	4050000290	S.FED CNF10R102S-TM	T	3.6/55.9
C1924	4050000290	S.FED CNF10R102S-TM	T	5.4/53.2
C1925	4050000290	S.FED CNF10R102S-TM	T	7.2/55.9
C1926	4050000290	S.FED CNF10R102S-TM	T	7.5/69.9
C1927	4050000290	S.FED CNF10R102S-TM	T	5.7/72.6
C1928	4050000290	S.FED CNF10R102S-TM	T	3.9/69.9
C1929	4050000290	S.FED CNF10R102S-TM	T	2.1/72.6
C2051	4030017810	S.CER C1608 CH 1H 102J-T	T	38.9/66.5
C2052	4030017810	S.CER C1608 CH 1H 102J-T	B	45.1/59
C2053	4030011770	S.CER C1608 CH 1H 060B-T	T	42.1/63.5
C2054	4030006860	S.CER C1608 JB 1H 102K-T	T	38.8/57.3
C2055	4030006860	S.CER C1608 JB 1H 102K-T	T	42.6/53.8
C2056	4030007030	S.CER C1608 CH 1H 150J-T	T	43.5/63.5
C2057	4030011770	S.CER C1608 CH 1H 060B-T	T	45.7/64.3
C2058	4030009910	S.CER C1608 CH 1H 040B-T	T	45.7/63
C2059	4030009550	S.CER C1608 CH 1H 2R5B-T	T	47.8/62.2
C2060	4030009910	S.CER C1608 CH 1H 040B-T	T	45.7/61.8
C2061	4030006990	S.CER C1608 CH 1H 080D-T	T	44.7/50.6
C2062	4030009920	S.CER C1608 CH 1H 050B-T	T	44.7/53
C2063	4030006990	S.CER C1608 CH 1H 080D-T	T	42.8/51.1
C2100	4030017810	S.CER C1608 CH 1H 102J-T	T	48.5/58.8
C2101	4030017810	S.CER C1608 CH 1H 102J-T	T	44.2/59.5
C2102	4030006860	S.CER C1608 JB 1H 102K-T	T	48.5/55.8
C2105	4030007030	S.CER C1608 CH 1H 150J-T	T	41.1/53.7
C2106	4030007050	S.CER C1608 CH 1H 220J-T	T	40.3/51.6
C2201	4030007030	S.CER C1608 CH 1H 150J-T	B	56.8/69
C2202	4030007050	S.CER C1608 CH 1H 220J-T	B	55.6/67.5
C2203	4030007030	S.CER C1608 CH 1H 150J-T	B	54.4/69
C2204	4030009530	S.CER C1608 CH 1H 030B-T	T	46.4/66.8
C2205	4030009520	S.CER C1608 CH 1H 020B-T	T	44.1/67.5
C2206	4030009530	S.CER C1608 CH 1H 030B-T	T	41.9/67.6
C2300	4030007030	S.CER C1608 CH 1H 150J-T	T	43.8/46.2
C2301	4030011600	S.CER C1608 JB 1E 104K-T	T	42/42.7
C2302	4030011600	S.CER C1608 JB 1E 104K-T	T	45.9/47.4
C2303	4030006860	S.CER C1608 JB 1H 102K-T	T	27.2/45.6
C2304	4550006240	S.TAN TEESVB2 0G 336M8R	T	48.8/42.4
C2305	4030011600	S.CER C1608 JB 1E 104K-T	T	34.1/42.2
C2306	4030006860	S.CER C1608 JB 1H 10		

[PLL UNIT]

REF NO.	ORDER NO.	DESCRIPTION	M.	H/V LOCATION
C3008	4030006860	S.CER C1608 JB 1H 102K-T	B	54.7/118
C3010	4030017810	S.CER C1608 CH 1H 102J-T	T	47.6/114
C3101	4030009910	S.CER C1608 CH 1H 040B-T	B	32.7/117.3
C3102	4030009530	S.CER C1608 CH 1H 030B-T	B	31.6/119.8
C3103	4030006980	S.CER C1608 CH 1H 070D-T	B	30.9/117.3
C3104	4030009510	S.CER C1608 CH 1H 010B-T	B	27.3/120.6
C3105	4030009910	S.CER C1608 CH 1H 040B-T	B	29.1/117.3
C3106	4030009910	S.CER C1608 CH 1H 040B-T	B	27.3/117.3
C3107	4030006980	S.CER C1608 CH 1H 070D-T	B	25.5/117.3
C3108	4030009550	S.CER C1608 CH 1H 2R5B-T	B	25.5/120.6
C3109	4030007050	S.CER C1608 CH 1H 220J-T	B	21.9/120.6
C3110	4030009920	S.CER C1608 CH 1H 050B-T	B	23.7/120.6
C3111	4030017810	S.CER C1608 CH 1H 102J-T	B	28.4/127.2
C3112	4030017810	S.CER C1608 CH 1H 102J-T	B	21.9/127.2
C3113	4030017810	S.CER C1608 CH 1H 102J-T	B	13.2/126.1
C4000	4550007140	S.TAN TEESVD 1C 107M12R	B	157.2/63
C4001	4030017810	S.CER C1608 CH 1H 102J-T	T	149.8/66.7
C4002	4030017810	S.CER C1608 CH 1H 102J-T	T	153.9/67
C4003	4030017810	S.CER C1608 CH 1H 102J-T	T	148/65.2
C4004	4030017810	S.CER C1608 CH 1H 102J-T	T	151.9/66.2
C4005	4030011600	S.CER C1608 JB 1E 104K-T	T	151.9/67.5
C4007	4030011600	S.CER C1608 JB 1E 104K-T	B	152.7/52.3
C4008	4030006860	S.CER C1608 JB 1H 102K-T	B	167/81.1
C4009	4030006860	S.CER C1608 JB 1H 102K-T	B	166.6/84.6
C4010	4030006860	S.CER C1608 JB 1H 102K-T	B	166.6/88.1
C4050	4340000310	S.MLFR ECHU 1C 333JX5	T	155.4/63
C4051	4550000460	S.TAN TEESVA 1C 105M8R	T	157.7/60.1
C4052	4550000530	S.TAN TEESVA 1V 104M8R	T	160.1/63
C4401	4030017810	S.CER C1608 CH 1H 102J-T	B	148.3/96.8
C4402	4030006860	S.CER C1608 JB 1H 102K-T	B	141.2/106.5
C4403	4030011600	S.CER C1608 JB 1E 104K-T	B	140.6/103.9
C4404	4510008830	S.ELE EEE1CA221P	T	135/111.5
C4450	4030007020	S.CER C1608 CH 1H 120J-T	B	154.3/95
C4451	4030009350	S.CER C1608 CH 1H 3R5B-T	B	148.2/103.1
C4452	4030006970	S.CER C1608 CH 1H 060D-T	B	157.3/93.2
C4453	4030009540	S.CER C1608 CH 1H 1R5B-T	B	150.4/102.5
C4454	4030007020	S.CER C1608 CH 1H 120J-T	B	155.5/91.3
C4455	4030009350	S.CER C1608 CH 1H 3R5B-T	B	151.1/105
C4456	4030017810	S.CER C1608 CH 1H 102J-T	B	157.3/88.1
C4457	4030017810	S.CER C1608 CH 1H 102J-T	B	155.1/98.7
C4458	4030006860	S.CER C1608 JB 1H 102K-T	B	153.6/93.1
C4459	4030006860	S.CER C1608 JB 1H 102K-T	B	153.7/89.6
C4460	4030006860	S.CER C1608 JB 1H 102K-T	B	153.6/86.1
C4461	4030017810	S.CER C1608 CH 1H 102J-T	B	164.9/80.8
C4462	4030017810	S.CER C1608 CH 1H 102J-T	B	161.7/80.7
C4500	4030006860	S.CER C1608 JB 1H 102K-T	B	140.6/119
C4501	4030006860	S.CER C1608 JB 1H 102K-T	B	157/119
C4502	4030006860	S.CER C1608 JB 1H 102K-T	B	157/122
C4513	4030017810	S.CER C1608 CH 1H 102J-T	B	172.5/116
C4562	4030017810	S.CER C1608 CH 1H 102J-T	B	148.5/116.5
C4563	4030017810	S.CER C1608 CH 1H 102J-T	B	164.4/98.4
C4564	4030011600	S.CER C1608 JB 1E 104K-T	B	168/95
C4565	4030017810	S.CER C1608 CH 1H 102J-T	B	166.2/95
C4566	4030017810	S.CER C1608 CH 1H 102J-T	B	163.2/91.5
C4567	4030017810	S.CER C1608 CH 1H 102J-T	B	160.1/100.7
C4901	4050000290	S.FED CNF10R102S-TM	T	144.2/69.8
C4902	4050000290	S.FED CNF10R102S-TM	T	168/54.8
C4903	4050000290	S.FED CNF10R102S-TM	T	170/54.8
C4904	4050000290	S.FED CNF10R102S-TM	T	172/54.8
C4905	4050000290	S.FED CNF10R102S-TM	T	172.3/50.6
C4906	4050000290	S.FED CNF10R102S-TM	T	174.3/50.6
C4907	4050000290	S.FED CNF10R102S-TM	T	176.3/50.6
C4908	4050000290	S.FED CNF10R102S-TM	T	170.3/50.6
C4909	4050000290	S.FED CNF10R102S-TM	T	174/54.8
C4910	4050000300	S.FED CNF10C470S-TM	T	143/57.6
C4911	4050000300	S.FED CNF10C470S-TM	T	143/55.6
C4912	4050000300	S.FED CNF10C470S-TM	T	143/53.6
C4913	4050000290	S.FED CNF10R102S-TM	T	139.2/106.5
C5000	4030006880	S.CER C1608 JB 1H 472K-T	B	119.5/77.9
C5001	4510008540	S.ELE EEE1CA100SR	T	130/71
C5002	4030011600	S.CER C1608 JB 1E 104K-T	B	133.5/70.9
C5003	4030006860	S.CER C1608 JB 1H 102K-T	T	126.9/73.6
C5004	4030011600	S.CER C1608 JB 1E 104K-T	T	119.9/74.5
C5005	4030017810	S.CER C1608 CH 1H 102J-T	T	123.4/70.1
C5006	4030011600	S.CER C1608 JB 1E 104K-T	B	149.3/82.9
C5007	4030017810	S.CER C1608 CH 1H 102J-T	T	133/85.1
C5008	4550006390	S.TAN TEESVA 1C 335M8R	T	130.6/74.5
C5009	4030006860	S.CER C1608 JB 1H 102K-T	B	130.5/101.1
C5010	4550007510	S.TAN F931C106MBABMA	B	127.7/106.1
C5012	4030006900	S.CER C1608 JB 1H 103K-T	T	123.5/79.2
C5013	4340000440	S.MLFR ECPU1C684MA5	T	127.3/77.6
C5018	4030006880	S.CER C1608 JB 1H 472K-T	B	118.4/70.8
C5019	4030006880	S.CER C1608 JB 1H 472K-T	B	115.6/64.4
C5020	4030011600	S.CER C1608 JB 1E 104K-T	B	112.6/69.8
C5021	4030006880	S.CER C1608 JB 1H 472K-T	T	119.9/77.2
C5100	4030007130	S.CER C1608 CH 1H 101J-T	T	133.9/97.8
C5101	4030007120	S.CER C1608 CH 1H 820J-T	B	129.1/97.1
C5102	4030007110	S.CER C1608 CH 1H 680J-T	T	131.5/97.8
C5105	4030017810	S.CER C1608 CH 1H 102J-T	T	129.4/103.6
C5106	4030007120	S.CER C1608 CH 1H 820J-T	T	122.2/102.6
C5107	4030007090	S.CER C1608 CH 1H 470J-T	T	122/97.7
C5108	4030006860	S.CER C1608 JB 1H 102K-T	T	128.8/102.2
C5109	4030009520	S.CER C1608 CH 1H 020B-T	T	121.6/100.6
C5110	4030007110	S.CER C1608 CH 1H 680J-T	T	120.8/95.4
C5111	4030007090	S.CER C1608 CH 1H 470J-T	B	119.5/101.3
C5112	4030006860	S.CER C1608 JB 1H 102K-T	T	118.3/102.7
C5113	4030011600	S.CER C1608 JB 1E 104K-T	B	116/95.7
C5114	4030006860	S.CER C1608 JB 1H 102K-T	B	117.6/95.7
C5115	4030006860	S.CER C1608 JB 1H 102K-T	T	122/95.1
C5116	4030006860	S.CER C1608 JB 1H 102K-T	B	117.8/88.1
C5117	4030011600	S.CER C1608 JB 1E 104K-T	B	117/85.5
C5118	4510008830	S.ELE EEE1CA221P	T	125.7/86.5
C5150	4030006860	S.CER C1608 JB 1H 102K-T	T	120.9/106.6
C5151	4030006860	S.CER C1608 JB 1H 102K-T	T	119.6/112.3

[PLL UNIT]

REF NO.	ORDER NO.	DESCRIPTION	M.	H/V LOCATION
C5152	4030006860	S.CER C1608 JB 1H 102K-T	T	116.8/111
C5153	4030007100	S.CER C1608 CH 1H 560J-T	T	118.3/113.6
C5154	4030007070	S.CER C1608 CH 1H 330J-T	T	120.3/114.3
C5155	4030007130	S.CER C1608 CH 1H 101J-T	T	118.3/114.9
C5156	4030007020	S.CER C1608 CH 1H 120J-T	T	117.8/116.2
C5157	4030007110	S.CER C1608 CH 1H 680J-T	T	118.8/120.8
C5200	4030006860	S.CER C1608 JB 1H 102K-T	T	129.3/106.9
C5201	4030006860	S.CER C1608 JB 1H 102K-T	T	125.1/111.7
C5202	4030006860	S.CER C1608 JB 1H 102K-T	T	129.2/111.7
C5203	4030007100	S.CER C1608 CH 1H 560J-T	T	127.2/112.5
C5204	4030007070	S.CER C1608 CH 1H 330J-T	T	128.2/117.1
C5205	4030007130	S.CER C1608 CH 1H 101J-T	T	127.6/119.1
C5206	4030007020	S.CER C1608 CH 1H 120J-T	T	128.9/119.1
C5207	4030007110	S.CER C1608 CH 1H 680J-T	T	130.3/121.7
C5300	4030006880	S.CER C1608 JB 1H 472K-T	B	158.7/40
C5301	4030011600	S.CER C1608 JB 1E 104K-T	B	156.8/36.8
C5302	4030011600	S.CER C1608 JB 1E 104K-T	B	160.7/30
C5303	4030011600	S.CER C1608 JB 1E 104K-T	B	160.7/32
C5304	4030006880	S.CER C1608 JB 1H 472K-T	B	151.5/37.1
C5305	4030011600	S.CER C1608 JB 1E 104K-T	B	152.7/37.1
C5306	4510008870	S.ELE EEE1AA471UP	T	173.1/44.8
C5307	4030011600	S.CER C1608 JB 1E 104K-T	B	160.2/34.2
C5308	4030011600	S.CER C1608 JB 1E 104K-T	T	163.7/43.6
C5309	4030011600	S.CER C1608 JB 1E 104K-T	T	161.7/45.2
C5310	4030011600	S.CER C1608 JB 1E 104K-T	B	161/42.7
C5311	4030011600	S.CER C1608 JB 1E 104K-T	T	151.2/46
C5312	4030011600	S.CER C1608 JB 1E 104K-T	B	150.7/45.1
C5313	4030011600	S.CER C1608 JB 1E 104K-T	T	146.6/41.8
C5314	4030011600	S.CER C1608 JB 1E 104K-T	T	146.7/37.3
C5315	4030011600	S.CER C1608 JB 1E 104K-T	B	148.8/34.9
C5316	4030011600	S.CER C1608 JB 1E 104K-T	T	146.7/33.5
C5317	4030011600	S.CER C1608 JB 1E 104K-T	T	148/28.4
C5318	4030011600	S.CER C1608 JB 1E 104K-T	B	151.3/28.5
C5319	4030011600	S.CER C1608 JB 1E 104K-T	T	154.1/26.7
C5320	4030011600	S.CER C1608 JB 1E 104K-T	T	157.2/26.7
C5400	4030011600	S.CER C1608 JB 1E 104K-T	T	150.2/53.1
C5401	4030006880	S.CER C1608 JB 1H 472K-T	B	173.3/29.2
C5402	4030011600	S.CER C1608 JB 1E 104K-T	B	149.8/41.5
C5403	4030011600	S.CER C1608 JB 1E 104K-T	B	168.2/35.7
C5404	4030006860	S.CER C1608 JB 1H 102K-T	B	168.2/37.8
C5500	4030006880	S.CER C1608 JB 1H 472K-T	T	130.6/48.8
C5501	4030006880	S.CER C1608 JB 1H 472K-T	T	134.2/50.9
C5502	4030006880	S.CER C1608 JB 1H 472K-T	T	135.5/46.6
C5503	4030006880	S.CER C1608 JB 1H 472K-T	T	129.8/45.5
C5504	4030007100	S.CER C1608 CH 1H 560J-T	T	134.7/41.5
C5505	4030008750	S.CER C1608 CH 1H 360J-T	T	133.5/41.5
C5506	4030007140	S.CER C1608 CH 1H 121J-T	T	134.2/39.5
C5507	4030007020	S.CER C1608 CH 1H 120J-T	T	132.3/38.9
C5508	4030007110	S.CER C1608 CH 1H 680J-T	T	134.2/38.3
C5601	4030011600	S.CER C1608 JB 1E 104K-T	B	153.7/34.8
C5602	4550000460	S.TAN TEESVA 1C 105M8R	T	160.6/24
C5604	4550007620	S.TAN F931V224MAABMA	B	147.9/112.8
C5605	4030007070	S.CER C1608 CH 1H 330J-T	T	149.2/113
C5606	4030007070	S.CER C1608 CH 1H 330J-T	T	149.1/15.1
C5607	4030009510	S.CER C1608 CH 1H 010B-T	T	148/11.3
C5608	4030016550	S.CER CM105 CH 151G 50AT	T	150.4/11.3
C5609	4030016550	S.CER CM105 CH 151G 50AT	T	162.2/13.9
C5610	4030016550	S.CER CM105 CH 151G 50AT	T	162.2/15.2
C5611	4030006880	S.CER C1608 JB 1H 472K-T	T	162.2/11.3
C5612	4030009920	S.CER C1608 CH 1H 050B-T	B	159.2/13.2
C5613	4510008540	S.ELE EEE1CA100SR	T	168.7/11
C5614	4030006860	S.CER C1608 JB 1H 102K-T	T	162.5/9.5
C5615	4030011600	S.CER C1608 JB 1E 104K-T	B	161.6/12.3
C5616	4030006860	S.CER C1608 JB 1H 102K-T	B	161.6/17.1
C5617	4030006860	S.CER C1608 JB 1H 102K-T	B	141.2/32.8
C5618	4030006860	S.CER C1608 JB 1H 102K-T	T	152/23.8
C5619	4030011600	S.CER C1608 JB 1E 104K-T	T	147.9/23
C5620	4030006860	S.CER C1608 JB 1H 102K-T	B	168.9/28.6
C5622	4030006860	S.CER C160		

[SCOPE/TV UNIT]

REF NO.	ORDER NO.	DESCRIPTION	M.	H/V LOCATION
IC101	1110005040	S.IC M52342FP 600C	T	14.5/41.6
IC201	1130011741	S.IC TC7W66FK (TE85L,F)	T	28.4/69.6
IC202	1130011741	S.IC TC7W66FK (TE85L,F)	T	10.9/66.8
IC203	1130011741	S.IC TC7W66FK (TE85L,F)	T	27.7/56.8
IC204	1130011741	S.IC TC7W66FK (TE85L,F)	T	9/62.3
IC401	1130011530	S.IC CD74HC4094M96	T	58.2/18.6
IC451	1130012620	S.IC SN74AHC1T1G86DCKR	T	95.8/19.4
IC1001	1110006180	S.IC UPG2009TB-E3	T	63.4/87.6
IC1002	1110006180	S.IC UPG2009TB-E3	T	70/86.8
IC1101	1190002051	S.IC SPM5001-TL-E	T	90.3/70.5
IC1403	1190002130	S.IC AD9852ASTZ	T	87.4/37.4
IC1501	1110006990	S.IC PC2710TB-E3	T	99.3/49.9
IC1601	1110006131	S.IC PC4094G2-E1-A	T	135.2/70.4
IC1602	1110006131	S.IC PC4094G2-E1-A	T	132.7/57.1
IC2001	1130013440	S.IC SN74LVC2G74DCTR	T	115.2/18.2
IC2201	1190002051	S.IC SPM5001-TL-E	T	55.8/39.2
Q1	1580000751	S.FET 3SK294 (TE85L,F)	B	59.1/17
Q2	1530002561	S.FET 2SC4403-3-TL-E	B	63.4/4
Q101	1590003530	S.TR BCR08PN	T	21.3/42
		except [FRA], [AUS], [CHN]	T	21.3/42
Q301	1590003930	S.TR UMD22N TR [FRA], [AUS], [CHN]	T	21.3/42
Q501	1510000620	S.TR 2SA1576 T106 S	T	4.5/66.9
	1590003530	S.TR BCR08PN	T	48.3/26.6
		except [FRA], [AUS], [CHN]	T	48.3/26.6
Q551	1590003930	S.TR UMD22N TR [FRA], [AUS], [CHN]	T	49.6/16
	1590003530	S.TR BCR08PN	T	49.6/16
		except [FRA], [AUS], [CHN]	T	50.4/8.7
Q601	1590003930	S.TR UMD22N TR [FRA], [AUS], [CHN]	T	50.4/8.7
	1590003530	S.TR BCR08PN	T	50.4/8.7
		except [FRA], [AUS], [CHN]	T	50.4/5.3
Q1001	1590003930	S.TR UMD22N TR [FRA], [AUS], [CHN]	T	50.4/5.3
Q1002	1560000641	S.FET 2SK1740-4/5-TB-E	T	65.3/78.7
Q1003	1560001260	S.FET 2SK3018 T106	B	60.8/84.9
Q1004	1560001260	S.FET 2SK3018 T106	B	67.7/84.3
Q1051	1530003851	S.TR 2SC5551-FD-T-E	T	103.3/85.5
Q1202	1560000561	S.FET 2SK882-GR (TE85L,F)	T	123.6/44.8
Q1203	1560000561	S.FET 2SK882-GR (TE85L,F)	T	118.8/38.6
Q1301	1530002060	S.TR 2SC4081 T106 R	T	76.8/51.2
Q1901	1530003151	S.TR 2SC4673-TD-E	T	68.8/56.6
Q2001	1530002561	S.TR 2SC4403-3-TL-E	T	112.2/25.4
Q2101	1560000641	S.FET 2SK1740-4/5-TB-E	T	61.9/75.7
Q2181	1530003431	S.TR 2SC5226-4-TL-E	B	50/57.4
Q2301	1530003151	S.TR 2SC4673-TD-E	T	39/60.1
D101	1750000771	S.VCP HVC376BTRF-E	T	15/51
D501	1750000581	S.DIO 1SV307 (TPH3,F)	T	48.2/22.9
D502	1750000581	S.DIO 1SV307 (TPH3,F)	T	14.7/21
D551	1750000581	S.DIO 1SV307 (TPH3,F)	T	46.4/20
D552	1750000581	S.DIO 1SV307 (TPH3,F)	T	15/17.7
D601	1750000581	S.DIO 1SV307 (TPH3,F)	T	45/13.7
D602	1750000581	S.DIO 1SV307 (TPH3,F)	T	12.8/11.2
D651	1750000581	S.DIO 1SV307 (TPH3,F)	T	45/7.7
D652	1750000581	S.DIO 1SV307 (TPH3,F)	T	11.8/7.6
D1701	1750000431	S.DIO HSB88WSTR-E	T	131.4/34
FI201	2020001710	S.CER TPSKA4M50B00-R1 (TPSCC4.5M0-TC1)	T	17.1/71.7
FI202	2020001730	S.CER TPSKA5M50B00-R1 (TPSCC5.5MB-TC1)	T	23.2/64.2
FI203	2020001880	S.CER TPSKA6M00B00-R1 (TPSCC6.0MB-TC1)	T	18.3/59.3
FI204	2020002340	S.CER TPSKA6M50B00-R1	T	22/76.6
FI1201	2010002700	S.XTL FL-406 (24.2 MHz)	T	115.3/74.9
FI1202	2010002690	S.XTL FL-407 (24.2 MHz)	T	120.2/67
L70	6140004650	COL LR-523	T	
L71	6200007770	S.COL LQW2BHN10J03L	T	11.9/15.7
L102	6150005390	COL LS-164A	T	
L201	6200005021	S.COL NLV25T-150J	T	14.7/69.2
L202	6200005021	S.COL NLV25T-150J	T	20.8/61.7
L203	6200005021	S.COL NLV25T-150J	T	15.9/56.8
L204	6200005021	S.COL NLV25T-150J	T	19.6/74.2
L292	6200007800	S.COL LQW2BHN18J03L	B	77/84.6
L293	6200008080	S.COL LQW2BHN22J03L	B	77.8/87.6
L511	6200010740	S.COL C2520C-R27G-A	T	45.7/23.1
L512	6200010830	S.COL C2520C-3R3G-A	T	42.1/25
L513	6200010830	S.COL C2520C-3R3G-A	T	35.6/22.9
L514	6200010830	S.COL C2520C-3R3G-A	T	29.4/24.9
L515	6200010740	S.COL C2520C-R27G-A	T	25.8/23
L531	6200010680	S.COL C2520C-R27G-A (0.22U)	T	22.2/25.4
L532	6200010960	S.COL C2520C-R47G-A (0.47U)	T	18.6/23
L561	6200010740	S.COL C2520C-R27G-A	T	45.4/17
L562	6200010820	S.COL C2520C-2R7G-A	T	41.7/18.8
L563	6200010820	S.COL C2520C-2R7G-A	T	35.3/16.6
L564	6200010820	S.COL C2520C-2R7G-A	T	29.2/18.7
L565	6200010740	S.COL C2520C-R27G-A	T	25.6/16.5
L581	6200010680	S.COL C2520C-R22G-A (0.22U)	T	22/19.1
L582	6200010960	S.COL C2520C-R47G-A (0.47U)	T	18.3/17.1
L611	6200010740	S.COL C2520C-R27G-A	T	44/10.8
L612	6200010820	S.COL C2520C-2R7G-A	T	40.3/12.5
L613	6200010820	S.COL C2520C-2R7G-A	T	33.7/10.3
L614	6200010820	S.COL C2520C-2R7G-A	T	27.4/12.4
L615	6200010740	S.COL C2520C-R27G-A	T	23.8/10.7
L631	6200010680	S.COL C2520C-R22G-A (0.22U)	T	20/12.9
L632	6200011450	S.COL C2520C-R39G-A	T	16.3/11
L661	6200010740	S.COL C2520C-R27G-A	T	42.6/4.7

[SCOPE/TV UNIT]

REF NO.	ORDER NO.	DESCRIPTION	M.	H/V LOCATION
L662	6200010820	S.COL C2520C-2R7G-A	T	39/6.3
L663	6200010820	S.COL C2520C-2R7G-A	T	32.2/4.2
L664	6200010820	S.COL C2520C-2R7G-A	T	25.8/6.5
L665	6200010740	S.COL C2520C-R27G-A	T	21.8/4.7
L681	6200010680	S.COL C2520C-R22G-A (0.22U)	T	18.2/6.7
L682	6200011450	S.COL C2520C-R39G-A	T	14.3/5.2
L1001	6200005011	S.COL NLV25T-100J	T	66.6/81.7
L1002	6200011220	S.COL C2012C-R47J-A	T	67.8/75.9
L1003	6140002810	S.COL LR-317 (T	73.1/78.1
L1004	6200010350	S.COL C2012C-R27G-A	T	97.5/25.6
L1005	6200010320	S.COL C2012C-R15G-A	T	100.5/25.2
L1006	6200011050	S.COL C2012C-R12G-A	T	104.9/25.8
L1007	6200009920	S.COL C2012C-R10G-A	T	106.6/29.4
L1009	6200010860	S.COL C2520C-R10G-A (0.1U)	T	105.9/34.7
L1010	6200011410	S.COL C2520C-82NG-A	T	105.1/38.1
L1011	6200010720	S.COL C2520C-56NG-A	T	103.4/43
L1012	6200010940	S.COL C2520C-39NG-A	T	104.3/46.7
L1051	6200005011	S.COL NLV25T-100J	B	90.8/81.4
L1052	6140003790	COL LR-442	T	
L1053	6200005011	S.COL NLV25T-100J	T	91.3/79.4
L1054	6200007790	S.COL LQW2BHN15J03L	T	99.5/77.9
L1071	6200008090	S.COL LQW2BHN68NJ03L	T	52.8/77.4
L1072	6140002810	S.COL LR-317 (T	54.2/81.9
L1081	6200010650	S.COL C2520C-R12G-A (0.12U)	T	77/88
L1082	6200010860	S.COL C2520C-R10G-A (0.1U)	T	82.9/82.3
L1083	6200011410	S.COL C2520C-82NG-A	T	84.3/86
L1084	6200010720	S.COL C2520C-56NG-A	T	91.3/84.2
L1101	6130002961	S.COL #617DB-1327=P3	T	82.5/70.8
L1102	6130002961	S.COL #617DB-1327=P3	T	90.8/66
L1103	6130002961	S.COL #617DB-1327=P3	T	95.4/71.9
L1104	6180002961	S.COL NLV32T-R18J	B	76.3/64.7
L1105	6200001471	S.COL NLV32T-R18J	B	79/70.8
L1201	6180003410	COL SP0406-2R2K-6	T	
L1202	6180003590	COL SP0406-8R2K-6	T	
L1203	6180003510	COL SP0406-6R8K-6	T	
L1204	6150004521	S.COL LS-508-LF	T	119/46.2
L1205	6150004521	S.COL LS-508-LF	T	120.5/33.8
L1301	6200007170	S.COL MLF1608A 3R3K-T	T	74.9/48.4
L1302	6200002651	S.COL NLV25T-R18J	T	78.1/45.6
L1501	6200001981	S.COL NLV25T-1R0J	B	99.2/51.3
L1502	6200002631	S.COL NLV25T-R10J	T	94.3/51.4
L1503	6200002431	S.COL NLV25T-082J	T	90.2/50.6
L1701	6200003171	S.COL NLV32T-330J	T	130/78.9
L1702	6140002810	S.COL LR-317 (T	131.4/42.7
L1703	6140002810	S.COL LR-317 (T	131.4/40.6
L1901	6200001831	S.COL NLV32T-100J	B	78.1/25.4
L1902	6200011900	S.COL LQH43CN100K03L	B	76.6/29.1
L1903	6200002181	S.COL NLV25T-R12J	T	64.8/44
L1904	6200002641	S.COL NLV25T-R15J	T	68/46.2
L1905	6200002181	S.COL NLV25T-R12J	T	68/52.8
L1906	6200002641	S.COL NLV25T-R15J	T	65.2/59.1
L2101	6200005011	S.COL NLV25T-100J	T	60.9/78.7
L2102	6200011220	S.COL C2012C-R47J-A	T	65.2/72
L2103	6140002810	S.COL LR-317 (T	70.8/71.2
L2160	6200010740	S.COL C2520C-R27G-A	T	47.8/71.7
L2161	6200010670	S.COL C2520C-R18G-A (0.18U)	T	48.8/68.6
L2162	6200010860	S.COL C2520C-R10G-A (0.1U)	T	53.2/60
L2163	6200010650	S.COL C2520C-R12G-A (0.12U)	T	47.6/57
L2164	6200010660	S.COL C2520C-R15G-A (0.15U)	T	47.8/65.3
L2181	6200008090	S.COL LQW2BHN68NJ03L	B	48.4/61
L2182	6200009970	S.COL C2012C-R39G-A	T	49.3/53.9
L2201	6130002961	S.COL #617DB-1327=P3	T	63.7/38.7
L2202	6130002961	S.COL #617DB-1327=P3	T	55.4/43.9
L2203	6130002961	S.COL #617DB-1327=P3	T	50.8/38.4
L2301	6200004961	S.COL NLV25T-R33J	T	39/46.2
L2302	6200005041	S.COL NLV25T-220J	T	41.2/55
L2303	6200004961	S.COL NLV25T-R33J	T	40.9/66.1
L2304	6200002611	S.COL NLV25T-R47J	T	41.3/69.5
L2305	6200003261	S.COL NLV32T-101J	T	41.7/51.5
R1	7030003320	S.RES ERJ3GEYJ 101 V (100)	B	60.7/22
R2	7030003350	S.RES ERJ3GEYJ 472 V (4.7 k)	B	62.4/18.7
R3	7030003440	S.RES ERJ3GEYJ 102 V (1 k)	B	60.7/20.2
R4	7030003560	S.RES ERJ3GEYJ 103 V (10 k)	B	57.9/20.2
R5	7030003560	S.RES ERJ3GEYJ 103 V (10 k)	B	61.5/15
R6	7030003800	S.RES ERJ3GEYJ 105 V (1 M)	B	57.1/22.7
R7	7030003320	S.RES ERJ3GEYJ 101 V (100)	B	55.7/16.1
R8	7030003280	S.RES ERJ3GEYJ 470 V (47)	B	62.3/11
R9	7030003400	S.RES ERJ3GEYJ 471 V (470)	B	59/11.6
R10	7030003320	S.RES ERJ3GEYJ 101 V (100)	B	61.5/7.5
R11	7030003480	S.RES ERJ3GEYJ 222 V (22.2 k)	B	65.5/3.6
R12	7030003460	S.RES ERJ3GEYJ 152 V (1.5 k)	B	63.8/6.8
R13	7030003280	S.RES ERJ3GEYJ 470 V (47)	B	62.3/9.3
R14	7030003400	S.RES ERJ3GEYJ 471 V (470)	B	61.1/3.5
R20	7030003270	S.RES ERJ3GEYJ 390 V (39)	B	56.6/5
R21	7030003400	S.RES ERJ3GEYJ 471 V (470)	B	54.6/5
R44	7030003400	S.RES ERJ3GEYJ 471 V (470)	T	9.5/10.7
R71	7030003320	S.RES ERJ3GEYJ 101 V (100)	T	10.7/17.9
R101	7030003700	S.RES ERJ3GEYJ 154 V (150 k)	T	8.2/35.3
R102	7030003620	S.RES ERJ3GEYJ 333 V (33 k)	T	8.2/36.6
R104	7030003580	S.RES ERJ3GEYJ 153 V (15 k)	T	8.5/40.6
R105	7030003700	S.RES ERJ3GEYJ 154 V (150 k)	T	5.9/39.8
R106	7030003640	S.RES ERJ3GEYJ 473 V (47 k)	T	7.2/40.6
R107	7030003560	S.RES ERJ3GEYJ 103 V (10 k)	T	17.2/46.8
R108	7030003600	S.RES ERJ3GEYJ 223 V (22 k)	T	17.6/49.1
R109	7030003640	S.RES ERJ3GEYJ 473 V (47 k)	T	14.2/54.4
R110	7030003440	S.RES ERJ3GEYJ 102 V (1 k)	T	4/48
R111	7030003750	S.RES ERJ3GEYJ 394 V (390 k)	T	7.2/43.2
R112	7030003380	S.RES ERJ3GEYJ 331 V (33)	T	2/49.3
R1				

[SCOPE/TV UNIT]

REF NO.	ORDER NO.	DESCRIPTION	M.	H/V LOCATION
R304	7030003420	S.RES ERJ3GEYJ 681 V (680)	T	4.7/68.9
R305	7030003420	S.RES ERJ3GEYJ 681 V (680)	T	4.7/70.1
R307	7030003340	S.RES ERJ3GEYJ 151 V (150)	T	7.3/68.9
R308	7030003340	S.RES ERJ3GEYJ 151 V (150)	T	7.3/70.1
R401	7030003320	S.RES ERJ3GEYJ 101 V (100)	T	70.3/11.5
R402	7030003320	S.RES ERJ3GEYJ 101 V (100)	T	74.1/11.5
R403	7030003320	S.RES ERJ3GEYJ 101 V (100)	T	75.4/11.5
R404	7030003320	S.RES ERJ3GEYJ 101 V (100)	T	76.7/11.5
R405	7030003320	S.RES ERJ3GEYJ 101 V (100)	T	78/11.5
R406	7030003320	S.RES ERJ3GEYJ 101 V (100)	T	79.3/11.5
R407	7030003320	S.RES ERJ3GEYJ 101 V (100)	T	80.6/11.5
R408	7030003640	S.RES ERJ3GEYJ 473 V (47 k)	T	74.2/16.1
R409	7030003640	S.RES ERJ3GEYJ 473 V (47 k)	T	76.8/16.6
R410	7030003640	S.RES ERJ3GEYJ 473 V (47 k)	T	79.4/16.6
R411	7030003640	S.RES ERJ3GEYJ 473 V (47 k)	T	82/16.6
R412	7030003640	S.RES ERJ3GEYJ 473 V (47 k)	T	84.6/16.6
R413	7030003320	S.RES ERJ3GEYJ 101 V (100)	T	81.9/11.5
R418	7030003320	S.RES ERJ3GEYJ 101 V (100)	T	63.3/14.9
R419	7030003320	S.RES ERJ3GEYJ 101 V (100)	T	63.3/17.5
R420	7030003320	S.RES ERJ3GEYJ 101 V (100)	T	64.1/19.8
R441	7030003860	S.RES ERJ3GE JPW V	T	56.3/11.5
R451	7030003200	S.RES ERJ3GEYJ 100 V (10)	B	98.2/17.9
R501	7030003360	S.RES ERJ3GEYJ 221 V (220)	B	39.8/22.2
R502	7030003320	S.RES ERJ3GEYJ 101 V (100)	B	36.2/21.5
R503	7030003320	S.RES ERJ3GEYJ 101 V (100)	B	33.6/22.3
R504	7030003560	S.RES ERJ3GEYJ 103 V (10 k)	T	45.3/26.9
R551	7030003360	S.RES ERJ3GEYJ 221 V (220)	B	39.5/16.3
R552	7030003320	S.RES ERJ3GEYJ 101 V (100)	B	36.2/15.9
R553	7030003320	S.RES ERJ3GEYJ 101 V (100)	B	32.4/15.9
R554	7030003560	S.RES ERJ3GEYJ 103 V (10 k)	T	49.7/18
R601	7030003360	S.RES ERJ3GEYJ 221 V (220)	B	37.5/10
R602	7030003320	S.RES ERJ3GEYJ 101 V (100)	B	34.2/9.8
R603	7030003320	S.RES ERJ3GEYJ 101 V (100)	B	30.5/9.8
R604	7030003560	S.RES ERJ3GEYJ 103 V (10 k)	T	48.3/8.9
R651	7030003360	S.RES ERJ3GEYJ 221 V (220)	B	36.3/4
R652	7030003320	S.RES ERJ3GEYJ 101 V (100)	B	32.7/4
R653	7030003320	S.RES ERJ3GEYJ 101 V (100)	B	29.3/4
R654	7030003560	S.RES ERJ3GEYJ 103 V (10 k)	T	48.3/5.5
R1001	7030003320	S.RES ERJ3GEYJ 101 V (100)	T	76.5/81.2
R1002	7030003320	S.RES ERJ3GEYJ 101 V (100)	T	63.6/81.3
R1003	7030003350	S.RES ERJ3GEYJ 181 V (180)	B	69.2/78.8
R1004	7030003240	S.RES ERJ3GEYJ 220 V (22)	T	57.9/86.3
R1014	7030003440	S.RES ERJ3GEYJ 102 V (1 k)	B	60.6/82.7
R1015	7030003500	S.RES ERJ3GEYJ 332 V (3.3 k)	B	60.9/86.8
R1016	7030003530	S.RES ERJ3GEYJ 562 V (5.6 k)	B	63.6/84.9
R1017	7030003320	S.RES ERJ3GEYJ 101 V (100)	T	60.6/87.6
R1018	7030003440	S.RES ERJ3GEYJ 102 V (1 k)	T	62.5/85
R1019	7030003440	S.RES ERJ3GEYJ 102 V (1 k)	B	67.6/82.4
R1020	7030003500	S.RES ERJ3GEYJ 332 V (3.3 k)	B	67.9/86.2
R1021	7030003530	S.RES ERJ3GEYJ 562 V (5.6 k)	B	70.6/84.3
R1022	7030003390	S.RES ERJ3GEYJ 391 V (390)	T	67.2/87.6
R1023	7030003440	S.RES ERJ3GEYJ 102 V (1 k)	T	69.1/84.3
R1028	7030003370	S.RES ERJ3GEYJ 271 V (270)	T	85.6/66.2
R1029	7030003230	S.RES ERJ3GEYJ 180 V (18)	T	86.2/64.2
R1032	7030003370	S.RES ERJ3GEYJ 271 V (270)	T	87.6/64.2
R1034	7030003300	S.RES ERJ3GEYJ 680 V (68)	T	63.9/85.1
R1035	7030003290	S.RES ERJ3GEYJ 560 V (56)	T	70.3/84.3
R1051	7030003290	S.RES ERJ3GEYJ 560 V (56)	B	90.8/84.5
R1052	7030003500	S.RES ERJ3GEYJ 332 V (3.3 k)	B	106/84.8
R1053	7030003440	S.RES ERJ3GEYJ 102 V (1 k)	B	107.7/84.8
R1054	7030003860	S.RES ERJ3GE JPW V	T	102.6/81.4
R1071	7030003320	S.RES ERJ3GEYJ 101 V (100)	T	58.5/81
R1101	7030003300	S.RES ERJ3GEYJ 680 V (68)	T	87.3/71.5
R1102	7030003300	S.RES ERJ3GEYJ 680 V (68)	T	87.3/69
R1103	7030003320	S.RES ERJ3GEYJ 101 V (100)	T	87.6/67
R1104	7030003320	S.RES ERJ3GEYJ 101 V (100)	T	93.9/66.3
R1105	7030003260	S.RES ERJ3GEYJ 330 V (33)	T	96.5/65.6
R1113	7030003370	S.RES ERJ3GEYJ 271 V (270)	T	107.1/72.5
R1114	7030003230	S.RES ERJ3GEYJ 180 V (18)	T	106.3/74.6
R1115	7030003370	S.RES ERJ3GEYJ 271 V (270)	T	107.1/76.8
R1209	7030003200	S.RES ERJ3GEYJ 100 V (10)	B	117.9/39.7
R1211	7030003480	S.RES ERJ3GEYJ 222 V (2.2 k)	T	123.2/47.8
R1212	7030003200	S.RES ERJ3GEYJ 100 V (10)	B	123.6/38.2
R1213	7030003560	S.RES ERJ3GEYJ 103 V (10 k)	T	118.9/40.5
R1214	7510001671	S.TMR NTCG16 4BH 103JT	T	121.5/38
R1215	7030003370	S.RES ERJ3GEYJ 271 V (270)	T	117.9/29.3
R1216	7030003230	S.RES ERJ3GEYJ 180 V (18)	T	120.5/29.3
R1217	7030003370	S.RES ERJ3GEYJ 271 V (270)	T	120.5/28
R1301	7030003290	S.RES ERJ3GEYJ 560 V (56)	B	77.6/53.8
R1302	7030003460	S.RES ERJ3GEYJ 152 V (1.5 k)	B	76.8/52
R1303	7030003290	S.RES ERJ3GEYJ 560 V (56)	T	78.4/52
R1304	7030003400	S.RES ERJ3GEYJ 471 V (470)	T	76.8/47.8
R1305	7030003400	S.RES ERJ3GEYJ 471 V (470)	T	75.7/46.5
R1310	7030003640	S.RES ERJ3GEYJ 473 V (47 k)	T	79/42.9
R1313	7030003640	S.RES ERJ3GEYJ 473 V (47 k)	T	78.7/51.3
R1314	7030003200	S.RES ERJ3GEYJ 100 V (10)	T	80.6/48.9
R1315	7030003370	S.RES ERJ3GEYJ 271 V (270)	T	78.7/48.6
R1316	7030003440	S.RES ERJ3GEYJ 102 V (1 k)	B	75.8/43.3
R1317	7030003320	S.RES ERJ3GEYJ 101 V (100)	T	86.9/48.8
R1318	7030003450	S.RES ERJ3GEYJ 122 V (1.2 k)	T	84.5/49.6
R1401	7030010250	S.RES ERJ1TYJ 0R00U	B	104.9/55.3
R1421	7030003510	S.RES ERJ3GEYJ 392 V (3.9 k)	T	95.1/47.8
R1422	7030003290	S.RES ERJ3GEYJ 560 V (56)	T	96.6/45.3
R1423	7030003290	S.RES ERJ3GEYJ 560 V (56)	T	96.4/46.6
R1424	7030003290	S.RES ERJ3GEYJ 560 V (56)	T	100.1/39.7
R1425	7030003290	S.RES ERJ3GEYJ 560 V (56)	T	98.8/42.3
R1426	7030003440	S.RES ERJ3GEYJ 102 V (1 k)	T	83.2/27.4
R1427	7030003640	S.RES ERJ3GEYJ 473 V (47 k)	T	84.5/26.3
R1428	7030003440	S.RES ERJ3GEYJ 102 V (1 k)	T	85.8/25.5
R1429	7030003440	S.RES ERJ3GEYJ 102 V (1 k)	T	87.1/26
R1430	7030003440	S.RES ERJ3GEYJ 102 V (1 k)	T	89.5/25.6
R1431	7030003440	S.RES ERJ3GEYJ 102 V (1 k)	T	91.5/24.9
R1432	7030003640	S.RES ERJ3GEYJ 473 V (47 k)	T	93.8/30
R1433	7030003440	S.RES ERJ3GEYJ 102 V (1 k)	T	93.8/27.9

[SCOPE/TV UNIT]

REF NO.	ORDER NO.	DESCRIPTION	M.	H/V LOCATION
R1435	7030003640	S.RES ERJ3GEYJ 473 V (47 k)	T	90.8/26.9
R1436	7030003640	S.RES ERJ3GEYJ 473 V (47 k)	T	81.9/28.4
R1501	7030003200	S.RES ERJ3GEYJ 100 V (10)	B	103.7/49.9
R1504	7030003860	S.RES ERJ3GE JPW V	T	101.7/37.4
R1505	7030003860	S.RES ERJ3GE JPW V	B	85.2/51.8
R1507	7030003860	S.RES ERJ3GE JPW V	T	98.8/39.7
R1511	7030003370	S.RES ERJ3GEYJ 271 V (270)	T	103.3/50.9
R1512	7030003230	S.RES ERJ3GEYJ 180 V (18)	T	102.2/48.9
R1513	7030003370	S.RES ERJ3GEYJ 271 V (270)	T	101.8/50.8
R1601	7310004250	TRI EVN-D2AA03 B25		
R1602	7030003560	S.RES ERJ3GEYJ 103 V (10 k)	T	131/70.3
R1603	7030003200	S.RES ERJ3GEYJ 100 V (10)	B	131/69.7
R1604	7030003560	S.RES ERJ3GEYJ 103 V (10 k)	T	133.3/75.2
R1605	7030003200	S.RES ERJ3GEYJ 100 V (10)	B	139.2/61.6
R1606	7030003440	S.RES ERJ3GEYJ 102 V (1 k)	T	129.3/55
R1608	7030003440	S.RES ERJ3GEYJ 102 V (1 k)	T	134.3/62.4
R1609	7030003440	S.RES ERJ3GEYJ 102 V (1 k)	T	137.4/60.5
R1610	7030003440	S.RES ERJ3GEYJ 102 V (1 k)	T	135.1/64.4
R1611	7030003200	S.RES ERJ3GEYJ 100 V (10)	B	129.8/61.8
R1612	7030003200	S.RES ERJ3GEYJ 100 V (10)	B	138.5/54
R1614	7030003500	S.RES ERJ3GEYJ 332 V (3.3 k)	T	129.9/67.5
R1616	7030003520	S.RES ERJ3GEYJ 472 V (4.7 k)	T	131.8/68.3
R1617	7030003440	S.RES ERJ3GEYJ 102 V (1 k)	T	135.1/65.6
R1702	7030003860	S.RES ERJ3GE JPW V	B	131.4/41.8
R1710	7030003320	S.RES ERJ3GEYJ 101 V (100)	B	133.3/42.6
R1802	7030003860	S.RES ERJ3GE JPW V	T	127.4/19.6
R1804	7030003860	S.RES ERJ3GE JPW V	T	123.4/15.3
R1805	7030003860	S.RES ERJ3GE JPW V	T	125.6/17.3
R1901	7030003370	S.RES ERJ3GEYJ 271 V (270)	T	59.7/44.4
R1902	7030003230	S.RES ERJ3GEYJ 180 V (18)	T	60.5/46.3
R1903	7030003370	S.RES ERJ3GEYJ 271 V (270)	T	61.2/44.4
R1904	7030003320	S.RES ERJ3GEYJ 101 V (100)	T	64.7/50.3
R1905	7030003200	S.RES ERJ3GEYJ 100 V (10)	T	64.8/53.9
R1906	7030003500	S.RES ERJ3GEYJ 332 V (3.3 k)	B	65.5/54.9
R1907	7030003420	S.RES ERJ3GEYJ 681 V (680)	B	67/56.9
R1908	7030003220	S.RES ERJ3GEYJ 150 V (15)	T	68.5/61.5
R1909	7030003310	S.RES ERJ3GEYJ 820 V (82)	T	68.5/62.9
R1910	7030003260	S.RES ERJ3GEYJ 330 V (33)	T	65.9/62.9
R1911	7030003230	S.RES ERJ3GEYJ 180 V (18)	T	65.9/64.3
R1912	7030003230	S.RES ERJ3GEYJ 180 V (18)	T	63.3/62.9
R1913	7030003440	S.RES ERJ3GEYJ 102 V (1 k)	T	68.3/49.7
R2001	7030003340	S.RES ERJ3GEYJ 151 V (150)	T	112.2/31.8
R2002	7030007860	S.RES ERJ3GEYJ 8R2V (8.2)	T	114.1/31
R2003	7030003570	S.RES ERJ3GEYJ 123 V (12.3 k)	T	114.8/26.5
R2004	7030003360	S.RES ERJ3GEYJ 221 V (220)	T	114.9/24.3
R2005	7030003280	S.RES ERJ3GEYJ 470 V (47)	B	113.5/21.5
R2006	7030003200	S.RES ERJ3GEYJ 100 V (10)	T	116.1/24.3
R2007	7030007860	S.RES ERJ3GEYJ 8R2V (8.2)	T	112.9/33.8
R2008	7030003200	S.RES ERJ3GEYJ 100 V (10)	B	116.8/19.5
R2009	7030003860	S.RES ERJ3GE JPW V	T	120.5/14.8
R2011	7030003440	S.RES ERJ3GEYJ 102 V (1 k)	T	111.6/18.6
R2012	7030003340	S.RES ERJ3GEYJ 151 V (150)	T	117.8/14.8
R2101	7030003320	S.RES ERJ3GEYJ 101 V (100)	B	72.2/72.8
R2102	7030003320	S.RES ERJ3GEYJ 101 V (100)	T	58.5/78
R2103	7030003350	S.RES ERJ3GEYJ 181 V (180)	B	68.5/67.8
R2104	7030003240	S.RES ERJ3GEYJ 220 V (22)	B	66.9/67.8
R2181	7030003480	S.RES ERJ3GEYJ 222 V (2.2 k)	B	47.4/57.2
R2182	7030003440	S.RES ERJ3GEYJ 102 V (1 k)	B	50.1/62.9
R2183	7030003200	S.RES ERJ3GEYJ 100 V (10)	B	52.8/58.3
R2184	7030003320	S.RES ERJ3GEYJ 101 V (100)	B	52.8/60.3
R2185	7030003280	S.RES ERJ3GEYJ 470 V (47)	B	45.6/53
R2186	7030003360	S.RES ERJ3GEYJ 221 V (220)	B	53.3/53.5
R2187	7030003860	S.RES ERJ3GE JPW V	B	54.9/53.5
R2201	7030003300	S.RES ERJ3GEYJ 680 V (68)	T	58.8/37.2
R2202	7030003300	S.RES ERJ3GEYJ 680 V (68)	T	58.8/40.8
R2203	7030003320	S.RES ERJ3GEYJ 101 V (100)	T	58.5/43
R2204	7030003320	S.RES ERJ3GEYJ 101 V (100)	T	52.3/43.5
R2205	7030003260	S.RES ERJ3GEYJ 330 V (33)	T	50.2/43.9
R2206	7030003370	S.RES ERJ3GEYJ 271 V (270)	T	45.3/40
R2207	7030003230	S.RES ERJ3GEYJ 180 V (18)	T	44.5/38.1
R2208	7030003370	S.RES ERJ3GEYJ 271 V (270)	T	43.8/40
R2302	7030003860	S.RES ERJ3GE JPW V	T	37.1/49.2
R2303	7030003320	S.RES ERJ3GEYJ 101 V (100)	T	35.2/49.8
R2304	7030003480	S.RES ERJ3GEYJ 222 V (2.2 k)	T	37.1/56.9
R2305				

[SCOPE/TV UNIT]

REF NO.	ORDER NO.	DESCRIPTION	M.	H/V LOCATION
C115	4030006860	S.CER C1608 JB 1H 102K-T	T	14.2/48.6
C116	4510008560	S.ELE EEE1HAR47SR	T	4.2/43.6
C117	4030006900	S.CER C1608 JB 1H 103K-T	T	22.4/52.6
C118	4030011600	S.CER C1608 JB 1E 104K-T	T	21.1/52.6
C119	4030011600	S.CER C1608 JB 1E 104K-T	T	21.4/39.3
C120	4030018910	S.CER C1608 JB 0J 475K-T	T	22.6/39.3
C201	4030011600	S.CER C1608 JB 1E 104K-T	T	26.1/70.2
C202	4030011600	S.CER C1608 JB 1E 104K-T	T	10.3/64.9
C203	4030011600	S.CER C1608 JB 1E 104K-T	T	24.9/57.4
C204	4030011600	S.CER C1608 JB 1E 104K-T	T	8.4/60.3
C205	4030006900	S.CER C1608 JB 1H 103K-T	T	30.3/69
C206	4030006900	S.CER C1608 JB 1H 103K-T	B	29.7/61.6
C207	4030006900	S.CER C1608 JB 1H 103K-T	B	29.7/59.4
C208	4030006900	S.CER C1608 JB 1H 103K-T	B	29.7/57.7
C295	4030007110	S.CER C1608 CH 1H 680J-T	T	74.9/85.7
C296	4030011340	S.CER C1608 CH 1H 471J-T	B	73.9/84.6
C297	4030007070	S.CER C1608 CH 1H 330J-T	T	73.6/87.9
C298	4030007150	S.CER C1608 CH 1H 151J-T	B	74.4/87.6
C299	4030007110	S.CER C1608 CH 1H 680J-T	T	71.6/88.7
C303	4030018560	S.CER C2012 JB 1A 475K-T	T	2.1/67.9
C305	4550007410	S.TAN F931A157MNMBA	T	9.2/76.1
C401	4030006900	S.CER C1608 JB 1H 103K-T	T	65.1/16.1
C402	4030006900	S.CER C1608 JB 1H 103K-T	T	66.4/16.1
C403	4030006900	S.CER C1608 JB 1H 103K-T	T	67.7/16.1
C404	4030006900	S.CER C1608 JB 1H 103K-T	T	69/16.1
C405	4030006900	S.CER C1608 JB 1H 103K-T	T	70.3/16.1
C406	4030006900	S.CER C1608 JB 1H 103K-T	T	71.6/16.1
C407	4030007050	S.CER C1608 CH 1H 220J-T	T	72.9/16.1
C408	4030007050	S.CER C1608 CH 1H 220J-T	T	75.5/16.6
C409	4030007050	S.CER C1608 CH 1H 220J-T	T	78.1/16.6
C410	4030007050	S.CER C1608 CH 1H 220J-T	T	80.7/16.6
C411	4030007050	S.CER C1608 CH 1H 220J-T	T	83.3/16.6
C412	4030007050	S.CER C1608 CH 1H 220J-T	T	85.9/16.6
C413	4030007050	S.CER C1608 CH 1H 220J-T	T	87.2/16.6
C422	4030011600	S.CER C1608 JB 1E 104K-T	T	56.3/12.7
C451	4030011600	S.CER C1608 JB 1E 104K-T	T	95.9/21.3
C501	4030011600	S.CER C1608 JB 1E 104K-T	B	45.4/20.7
C502	4030011600	S.CER C1608 JB 1E 104K-T	B	35.1/23.8
C511	4030011600	S.CER C1608 JB 1E 104K-T	T	43.5/22.1
C512	4030007130	S.CER C1608 CH 1H 101J-T	B	44.1/23.7
C513	4030007130	S.CER C1608 CH 1H 101J-T	B	42.6/23.7
C514	4030010760	S.CER C1608 CH 1H 331J-T	B	41.1/23.7
C515	4030007030	S.CER C1608 CH 1H 150J-T	T	42.1/22.1
C516	4030007050	S.CER C1608 CH 1H 220J-T	T	40.8/22.1
C517	4030011770	S.CER C1608 CH 1H 060B-T	T	38.6/25.8
C518	4030009560	S.CER C1608 CH 1H R75B-T	T	38.6/24.4
C519	4030007010	S.CER C1608 CH 1H 100D-T	T	39.2/22.3
C520	4030007050	S.CER C1608 CH 1H 220J-T	T	37.9/22.3
C521	4030011770	S.CER C1608 CH 1H 060B-T	T	33/25.5
C522	4030009560	S.CER C1608 CH 1H R75B-T	T	33/24.2
C523	4030007030	S.CER C1608 CH 1H 150J-T	T	32.2/22.2
C524	4030007050	S.CER C1608 CH 1H 220J-T	T	30.8/22.2
C525	4030010760	S.CER C1608 CH 1H 331J-T	B	31/23
C526	4030007130	S.CER C1608 CH 1H 101J-T	B	29.3/23.1
C527	4030007130	S.CER C1608 CH 1H 101J-T	B	27.6/23.1
C528	4030011600	S.CER C1608 JB 1E 104K-T	T	28.5/21.7
C531	4030007160	S.CER C1608 CH 1H 181J-T	T	23.6/22.5
C532	4030011330	S.CER C1608 CH 1H 391J-T	B	21.9/24
C534	4030010760	S.CER C1608 CH 1H 331J-T	T	21.5/22.9
C536	4030007130	S.CER C1608 CH 1H 101J-T	B	18.5/21.6
C538	4030011280	S.CER C1608 CH 1H 271J-T	T	16.3/21.3
C551	4030011600	S.CER C1608 JB 1E 104K-T	B	45.6/14.8
C552	4030011600	S.CER C1608 JB 1E 104K-T	B	33.9/17.4
C561	4030011600	S.CER C1608 JB 1E 104K-T	T	43.1/16
C562	4030007050	S.CER C1608 CH 1H 220J-T	B	43.8/17.8
C563	4030011340	S.CER C1608 CH 1H 471J-T	B	42.4/17.8
C565	4030007040	S.CER C1608 CH 1H 180J-T	T	41.6/16
C566	4030007050	S.CER C1608 CH 1H 220J-T	T	40.4/16
C568	4030007000	S.CER C1608 CH 1H 090D-T	T	38.3/18.3
C569	4030007020	S.CER C1608 CH 1H 120J-T	T	38.8/16.1
C570	4030007050	S.CER C1608 CH 1H 220J-T	T	37.6/16.1
C572	4030007000	S.CER C1608 CH 1H 090D-T	T	32.6/18
C573	4030007040	S.CER C1608 CH 1H 180J-T	T	31.9/15.9
C574	4030007050	S.CER C1608 CH 1H 220J-T	T	30.5/15.9
C576	4030011340	S.CER C1608 CH 1H 471J-T	B	28.8/16.6
C577	4030007050	S.CER C1608 CH 1H 220J-T	B	27.3/16.6
C578	4030011600	S.CER C1608 JB 1E 104K-T	T	28.4/15.1
C581	4030007160	S.CER C1608 CH 1H 181J-T	T	23.4/16
C582	4030007140	S.CER C1608 CH 1H 121J-T	B	21.7/17.5
C583	4030007170	S.CER C1608 CH 1H 221J-T	B	21.7/16
C584	4030010760	S.CER C1608 CH 1H 331J-T	T	20.6/16
C586	4030007050	S.CER C1608 CH 1H 220J-T	B	18.2/15.8
C587	4030007110	S.CER C1608 CH 1H 680J-T	B	18.2/14.4
C588	4030011280	S.CER C1608 CH 1H 271J-T	T	16/15.6
C601	4030011600	S.CER C1608 JB 1E 104K-T	B	45.4/10
C602	4030011600	S.CER C1608 JB 1E 104K-T	B	32/11.3
C611	4030011600	S.CER C1608 JB 1E 104K-T	T	41.7/9.7
C612	4030007110	S.CER C1608 CH 1H 680J-T	B	41.7/11.5
C613	4030011330	S.CER C1608 CH 1H 391J-T	B	40.3/11.5
C615	4030009920	S.CER C1608 CH 1H 050B-T	T	40.1/9.7
C616	4030007070	S.CER C1608 CH 1H 330J-T	T	38.8/9.7
C618	4030007000	S.CER C1608 CH 1H 090D-T	T	36.7/11.8
C619	4030007010	S.CER C1608 CH 1H 100D-T	T	37.3/9.7
C620	4030007050	S.CER C1608 CH 1H 220J-T	T	36.9/7
C622	4030007000	S.CER C1608 CH 1H 090D-T	T	30.9/11.6
C623	4030009920	S.CER C1608 CH 1H 050B-T	T	30.1/9.6
C624	4030007070	S.CER C1608 CH 1H 330J-T	T	28.8/9.6
C626	4030011330	S.CER C1608 CH 1H 391J-T	B	26.9/10.6
C627	4030007110	S.CER C1608 CH 1H 680J-T	B	25.5/10.6
C628	4030011600	S.CER C1608 JB 1E 104K-T	T	26.5/9.3
C631	4030007150	S.CER C1608 CH 1H 151J-T	T	21.3/9.8
C632	4030007130	S.CER C1608 CH 1H 101J-T	B	19.7/11.3
C633	4030007170	S.CER C1608 CH 1H 221J-T	B	19.7/9.9
C634	4030007140	S.CER C1608 CH 1H 121J-T	T	19.8/9.9

[SCOPE/TV UNIT]

REF NO.	ORDER NO.	DESCRIPTION	M.	H/V LOCATION
C635	4030007160	S.CER C1608 CH 1H 181J-T	T	18.6/9.9
C636	4030007130	S.CER C1608 CH 1H 101J-T	B	15.9/9.6
C638	4030011280	S.CER C1608 CH 1H 271J-T	T	13.9/9.1
C651	4030011600	S.CER C1608 JB 1E 104K-T	B	44.2/4
C652	4030011600	S.CER C1608 JB 1E 104K-T	B	30.8/5.6
C661	4030011600	S.CER C1608 JB 1E 104K-T	T	40.4/3.5
C662	4030007080	S.CER C1608 CH 1H 390J-T	B	40.7/5.5
C663	4030011330	S.CER C1608 CH 1H 391J-T	B	39.3/5.5
C665	4030009550	S.CER C1608 CH 1H 2R5B-T	T	37.5/3.6
C666	4030007070	S.CER C1608 CH 1H 330J-T	T	38.9/3.6
C667	4030006980	S.CER C1608 CH 1H 070D-T	T	35.2/7
C668	4030009570	S.CER C1608 CH 1H 0R3B-T	T	35.2/5.7
C669	4030009350	S.CER C1608 CH 1H 3R5B-T	T	34.5/3.7
C670	4030007060	S.CER C1608 CH 1H 270J-T	T	35.8/3.7
C671	4030006980	S.CER C1608 CH 1H 070D-T	T	29.3/6.9
C672	4030009570	S.CER C1608 CH 1H 0R3B-T	T	29.3/5.5
C673	4030009550	S.CER C1608 CH 1H 2R5B-T	T	27.1/3.6
C674	4030007070	S.CER C1608 CH 1H 330J-T	T	28.6/3.6
C676	4030011330	S.CER C1608 CH 1H 391J-T	B	25.4/4.8
C677	4030007080	S.CER C1608 CH 1H 390J-T	B	23.9/4.8
C678	4030011600	S.CER C1608 JB 1E 104K-T	T	24.8/3.4
C681	4030007150	S.CER C1608 CH 1H 151J-T	T	19.5/3.8
C682	4030007070	S.CER C1608 CH 1H 330J-T	B	18.1/4.8
C683	4030011280	S.CER C1608 CH 1H 271J-T	B	18.1/3.4
C684	4030007110	S.CER C1608 CH 1H 680J-T	T	18/3.7
C685	4030007130	S.CER C1608 CH 1H 221J-T	T	16.7/3.7
C686	4030007030	S.CER C1608 CH 1H 150J-T	B	14.5/3.9
C687	4030007120	S.CER C1608 CH 1H 820J-T	B	14.5/2.6
C688	4030007170	S.CER C1608 CH 1H 221J-T	T	11.8/4.2
C1001	4030006900	S.CER C1608 JB 1H 103K-T	T	60.8/81.3
C1002	4030007000	S.CER C1608 CH 1H 090D-T	T	67.7/78.6
C1003	4030011600	S.CER C1608 JB 1E 104K-T	T	68.9/79.9
C1004	4030006900	S.CER C1608 JB 1H 103K-T	B	71/78.8
C1012	4030006860	S.CER C1608 JB 1H 102K-T	B	60.9/88.2
C1013	4030006860	S.CER C1608 JB 1H 102K-T	T	61.2/84.4
C1014	4030006860	S.CER C1608 JB 1H 102K-T	B	67.9/87.5
C1015	4030006860	S.CER C1608 JB 1H 102K-T	T	67.9/84.3
C1016	4030006900	S.CER C1608 JB 1H 103K-T	T	60.6/86.3
C1017	4030006900	S.CER C1608 JB 1H 103K-T	T	60.6/88.9
C1018	4030006900	S.CER C1608 JB 1H 103K-T	T	65.1/85.1
C1019	4030006900	S.CER C1608 JB 1H 103K-T	T	66/87.6
C1020	4030006900	S.CER C1608 JB 1H 103K-T	T	69/88.7
C1021	4030006900	S.CER C1608 JB 1H 103K-T	T	71.5/84.3
C1023	4030007060	S.CER C1608 CH 1H 270J-T	T	102.4/28.4
C1024	4030007000	S.CER C1608 CH 1H 090D-T	T	103.6/28.4
C1025	4030007120	S.CER C1608 CH 1H 820J-T	T	104.9/28.4
C1026	4030007050	S.CER C1608 CH 1H 220J-T	T	102.4/31.2
C1027	4030007150	S.CER C1608 CH 1H 151J-T	T	103.6/31.2
C1028	4030007060	S.CER C1608 CH 1H 270J-T	T	103.2/33.3
C1029	4030007080	S.CER C1608 CH 1H 390J-T	T	106.7/32
C1030	4030007150	S.CER C1608 CH 1H 151J-T	T	104.8/31.2
C1032	4030009920	S.CER C1608 CH 1H 050B-T	T	103.7/35.3
C1033	4030007110	S.CER C1608 CH 1H 680J-T	T	106.7/40.4
C1034	4030007040	S.CER C1608 CH 1H 180J-T	T	104.1/40.4
C1035	4030007100	S.CER C1608 CH 1H 560J-T	T	106.4/41.7
C1036	4030007070	S.CER C1608 CH 1H 330J-T	T	105.6/43.6
C1037	4030007100	S.CER C1608 CH 1H 560J-T	T	107/47.4
C1038	4030007100	S.CER C1608 CH 1H 560J-T	T	104.9/48.9
C1039	4030007060	S.CER C1608 CH 1H 270J-T	T	105.2/50.1
C1041	4030007100	S.CER C1608 CH 1H 560J-T	T	99.8/29.5
C1042	4030007060	S.CER C1608 CH 1H 270J-T	T	97.8/27.6
C1043	4030007070	S.CER C1608 CH 1H 330J-T	T	100.5/27.6
C1044	4030007090	S.CER C1608 CH 1H 470J-T	T	102.4/25.7
C1051	4030006900	S.CER C1608 JB 1H 103K-T	B	89.3/86
C1052	4030011600	S.CER C1608 JB 1E 104K-T	T	106.5/84.7
C1053	4030011600	S.CER C1608 JB 1E 104K-T	T	94.4/78.6
C1054	4030006900	S.CER C1608 JB 1H 103K-T	T	96.7/78.6
C1071	4030007030	S.CER C1608 CH 1H 150J-T	T	48.9/7.2
C1072	4030007080	S.CER C1608 CH 1H 390J-T	T	50.2/78.2
C1081	4030007100	S.CER C1608 CH 1H 560J-T	T	74.5/83.8
C1082	4030007030	S.CER C1608 CH 1H 150J-T	T	75.7/83.8
C1083	4030009560	S.CER C1608 CH 1H R75B-T		

[SCOPE/TV UNIT]

REF NO.	ORDER NO.	DESCRIPTION	M.	H/V LOCATION
C1217	4030007090	S.CER C1608 CH 1H 470J-T	T	121.5/39.3
C1301	4030007110	S.CER C1608 CH 1H 680J-T	T	74.9/51.3
C1302	4030007110	S.CER C1608 CH 1H 680J-T	T	80/45.5
C1303	4030011600	S.CER C1608 JB 1E 104K-T	T	76.8/49.1
C1304	4030007030	S.CER C1608 CH 1H 150J-T	T	75.7/44.5
C1310	4030011600	S.CER C1608 JB 1E 104K-T	T	79.9/51.3
C1311	4030006900	S.CER C1608 JB 1H 103K-T	T	84.5/48.4
C1312	4030011600	S.CER C1608 JB 1E 104K-T	T	82.6/47
C1313	4030011600	S.CER C1608 JB 1E 104K-T	T	77.6/41.7
C1314	4030011600	S.CER C1608 JB 1E 104K-T	T	76.5/40.4
C1315	4030011600	S.CER C1608 JB 1E 104K-T	B	79.7/50.1
C1316	4550006050	S.TAN TEESVA OJ 106M8R	B	78.6/46.2
C1422	4030011600	S.CER C1608 JB 1E 104K-T	T	90.8/48
C1423	4030006900	S.CER C1608 JB 1H 103K-T	T	93.1/46.2
C1424	4030011600	S.CER C1608 JB 1E 104K-T	T	94.3/45.9
C1425	4030011600	S.CER C1608 JB 1E 104K-T	T	80.2/30.5
C1426	4030011600	S.CER C1608 JB 1E 104K-T	T	95.9/42.8
C1427	4030011600	S.CER C1608 JB 1E 104K-T	T	97.2/41.5
C1428	4030011600	S.CER C1608 JB 1E 104K-T	T	97.9/33.7
C1429	4030011600	S.CER C1608 JB 1E 104K-T	T	95.5/31.6
C1430	4030011600	S.CER C1608 JB 1E 104K-T	T	92.1/28.2
C1501	4030006900	S.CER C1608 JB 1H 103K-T	T	100.7/47.7
C1502	4030006900	S.CER C1608 JB 1H 103K-T	T	99.3/51.9
C1503	4030006900	S.CER C1608 JB 1H 103K-T	T	95.7/49.5
C1504	4030007070	S.CER C1608 CH 1H 330J-T	T	96.6/51.5
C1505	4030006960	S.CER C1608 CH 1H 050C-T	T	92.8/49.5
C1506	4030007100	S.CER C1608 CH 1H 560J-T	T	92.1/51.5
C1507	4030007020	S.CER C1608 CH 1H 120J-T	T	88.3/51.3
C1508	4030007060	S.CER C1608 CH 1H 270J-T	T	85.4/51.8
C1602	4030009510	S.CER C1608 CH 1H 010B-T	T	136.4/75.2
C1603	4030011600	S.CER C1608 JB 1E 104K-T	T	131.8/72.6
C1604	4030011600	S.CER C1608 JB 1E 104K-T	T	138.7/66.8
C1605	4030007080	S.CER C1608 CH 1H 390J-T	T	130.8/51.5
C1606	4030019130	S.CER C2012 CH 1H 562JT-NS	T	138.9/58.7
C1607	4030018620	S.CER C1608 CH 1H 222J-T	T	137.4/57.9
C1609	4030007130	S.CER C1608 CH 1H 101J-T	T	132.3/62.9
C1610	4030007110	S.CER C1608 CH 1H 680J-T	T	132.3/61.7
C1611	4030018630	S.CER C2012 CH 1H 472J-T	T	135.8/62.2
C1612	4030011600	S.CER C1608 JB 1E 104K-T	B	130.6/59
C1613	4030011600	S.CER C1608 JB 1E 104K-T	B	135.9/51.5
C1615	4030018590	S.CER C1608 CH 1H 122J-T	T	137.4/63.6
C1616	4030018580	S.CER C1608 CH 1H 821J-T	T	132.4/64.4
C1617	4030018610	S.CER C1608 CH 1H 182J-T	T	132.4/65.6
C1618	4030018960	S.CER C3216 JB 1C 106MT-N	B	133.4/73.3
C1619	4030018960	S.CER C3216 JB 1C 106MT-N	B	135.6/62.3
C1620	4030018960	S.CER C3216 JB 1C 106MT-N	B	131.4/57.3
C1621	4030018960	S.CER C3216 JB 1C 106MT-N	B	137.7/50.7
C1701	4030011600	S.CER C1608 JB 1E 104K-T	T	131.4/76
C1702	4030018620	S.CER C1608 CH 1H 222J-T	T	130.2/76
C1703	4030018640	S.CER C2012 CH 1H 103J-T	T	128.6/75.7
C1901	4550006050	S.TAN TEESVA OJ 106M8R	B	81.9/28.7
C1902	4550006050	S.TAN TEESVA OJ 106M8R	T	75.8/34
C1903	4030007110	S.CER C1608 CH 1H 680J-T	T	62.5/45.5
C1904	4030007050	S.CER C1608 CH 1H 220J-T	T	64.5/45.9
C1905	4030007140	S.CER C1608 CH 1H 121J-T	T	67.3/42.4
C1906	4030006980	S.CER C1608 CH 1H 070D-T	T	68/44.3
C1907	4030007120	S.CER C1608 CH 1H 820J-T	T	68.6/42.4
C1908	4030006900	S.CER C1608 JB 1H 103K-T	T	64.7/51.5
C1909	4030007070	S.CER C1608 CH 1H 330J-T	T	70.9/50.9
C1910	4030007100	S.CER C1608 CH 1H 560J-T	T	68.3/50.9
C1911	4030006900	S.CER C1608 JB 1H 103K-T	T	64.8/55.1
C1912	4030006900	S.CER C1608 JB 1H 103K-T	T	68.5/60.1
C2001	4030006900	S.CER C1608 JB 1H 103K-T	T	114.1/28.4
C2002	4030011600	S.CER C1608 JB 1E 104K-T	T	112/23.5
C2003	4550006250	S.TAN TEESVA 1A 106M8R	T	119.3/19.1
C2004	4030011600	S.CER C1608 JB 1E 104K-T	T	117.6/18.3
C2005	4550006250	S.TAN TEESVA 1A 106M8R	T	112.2/21.6
C2006	4030011600	S.CER C1608 JB 1E 104K-T	B	114.5/17.9
C2012	4030006900	S.CER C1608 JB 1H 103K-T	T	115/14.8
C2101	4030006900	S.CER C1608 JB 1H 103K-T	T	56.9/77.9
C2102	4030007000	S.CER C1608 CH 1H 090D-T	T	64.3/75
C2103	4030011600	S.CER C1608 JB 1E 104K-T	T	67.3/74.1
C2104	4030006900	S.CER C1608 JB 1H 103K-T	B	68.5/70.5
C2160	4030007110	S.CER C1608 CH 1H 680J-T	T	52.3/71
C2161	4030007090	S.CER C1608 CH 1H 470J-T	T	50.8/71
C2162	4030007080	S.CER C1608 CH 1H 390J-T	T	52.3/67.8
C2163	4030007130	S.CER C1608 CH 1H 101J-T	T	50.8/67.8
C2164	4030007060	S.CER C1608 CH 1H 270J-T	T	53.8/66.3
C2165	4030007080	S.CER C1608 CH 1H 390J-T	T	51.5/62.8
C2166	4030007050	S.CER C1608 CH 1H 220J-T	T	50.9/60
C2167	4030007120	S.CER C1608 CH 1H 820J-T	T	49.6/61.6
C2168	4030007000	S.CER C1608 CH 1H 090D-T	T	48.8/59.3
C2169	4030007100	S.CER C1608 CH 1H 560J-T	T	48.3/61.6
C2170	4030010760	S.CER C1608 CH 1H 331J-T	T	50.8/64.8
C2171	4030007080	S.CER C1608 CH 1H 390J-T	T	52.3/64.8
C2181	4030006900	S.CER C1608 JB 1H 103K-T	T	46.4/61.6
C2182	4030011600	S.CER C1608 JB 1E 104K-T	B	55.1/59
C2183	4030011600	S.CER C1608 JB 1E 104K-T	B	44.7/55.1
C2184	4030007040	S.CER C1608 CH 1H 180J-T	B	52.5/56
C2201	4030006900	S.CER C1608 JB 1H 103K-T	T	68.6/37.2
C2202	4030006900	S.CER C1608 JB 1H 103K-T	T	68.5/40.2
C2203	4030006900	S.CER C1608 JB 1H 103K-T	T	58.8/38.4
C2204	4030006900	S.CER C1608 JB 1H 103K-T	T	58.8/39.6
C2205	4030006900	S.CER C1608 JB 1H 103K-T	T	50.3/41.5
C2206	4030006860	S.CER C1608 JB 1H 102K-T	T	50.3/42.7
C2207	4030006900	S.CER C1608 JB 1H 103K-T	T	46/36.9
C2208	4030006900	S.CER C1608 JB 1H 103K-T	T	46.8/40.6
C2301	4030007170	S.CER C1608 CH 1H 221J-T	T	35.2/45.9
C2302	4030007130	S.CER C1608 CH 1H 101J-T	T	37.1/46.6
C2303	4030007170	S.CER C1608 CH 1H 221J-T	T	35.2/47.2
C2304	4030011600	S.CER C1608 JB 1E 104K-T	T	37.1/55.6
C2305	4030011600	S.CER C1608 JB 1E 104K-T	T	37.1/51.9
C2306	4030011600	S.CER C1608 JB 1E 104K-T	T	37.1/63.3
C2307	4030011600	S.CER C1608 JB 1E 104K-T	T	42.4/60.8

[SCOPE/TV UNIT]

REF NO.	ORDER NO.	DESCRIPTION	M.	H/V LOCATION
C2308	4030007170	S.CER C1608 CH 1H 221J-T	T	37.1/65.9
C2309	4030007140	S.CER C1608 CH 1H 121J-T	T	42.8/66
C2310	4030010760	S.CER C1608 CH 1H 331J-T	T	37.1/67.2
C2311	4030007090	S.CER C1608 CH 1H 470J-T	T	39/67.6
C2312	4030011280	S.CER C1608 CH 1H 271J-T	T	37.1/68.5
C2313	4030018560	S.CER C2012 JB 1A 475K-T	T	37/54
C2314	4030018560	S.CER C2012 JB 1A 475K-T	T	39.2/49.7
C2315	4510008500	S.ELE EEE1CA101WP	T	33.6/84.5
J301	6510018961	S.CNR B2B-PH-SM4-TB (LF) (SN)	T	22.1/86.5
J401	6510020081	S.CNR 52808-2071 (2090)	T	71/5.5
J1001	6510007020	CNR TMP-J01X-V6		
J1301	6510007020	CNR TMP-J01X-V6		
J1601	6510018961	S.CNR B2B-PH-SM4-TB (LF) (SN)	T	138.4/49.5
J2001	6510007020	CNR TMP-J01X-V6		
J2301	6510007020	CNR TMP-J01X-V6		
EP401	6910015970	S.BEA MMZ1608B 301CT-AS	T	65.1/11.5
EP402	6910015970	S.BEA MMZ1608B 301CT-AS	T	66.4/11.5
EP403	6910015970	S.BEA MMZ1608B 301CT-AS	T	67.7/11.5
EP404	6910015970	S.BEA MMZ1608B 301CT-AS	T	69/11.5
EP405	6910014730	S.BEA MPZ2012S331A-T	T	72.5/11.8
EP1101	6910015970	S.BEA MMZ1608B 301CT-AS	T	98.8/64.7
EP1301	6910015970	S.BEA MMZ1608B 301CT-AS	T	81.4/47
EP1501	6910015970	S.BEA MMZ1608B 301CT-AS	B	106.7/49.9
EP2001	6910015970	S.BEA MMZ1608B 301CT-AS	B	114.5/19.4
EP2002	6910015970	S.BEA MMZ1608B 301CT-AS	B	116/21.4
EP2201	6910015970	S.BEA MMZ1608B 301CT-AS	T	46.8/43.9

M.=Mounted side (T: Mounted on the Top side B: Mounted on the Bottom side)
S.=Surface mount

[OSC UNIT]

REF NO.	ORDER NO.	DESCRIPTION	M.	H/V LOCATION
IC10	1180002610	S.REG BA12FP-E2	T	37.8/20
IC91	1190002001	S.IC AD5260BRUZ50	T	26.8/12
IC92	1130005721	S.IC TC7W04F (TE12L,F)	T	23.7/6.1
Q10	1590003520	S.TR BCR108T	T	32.2/35.1
	1590003940	S.TR RN1105 (TE85L,F) except [FRA], [AUS], [CHN] [FRA], [AUS], [CHN]	T	32.2/35.1
Q11	1590003520	S.TR BCR108T	T	22.1/42.4
	1590003940	S.TR RN1105 (TE85L,F) except [FRA], [AUS], [CHN] [FRA], [AUS], [CHN]	T	22.1/42.4
Q12	1590003520	S.TR BCR108T	T	29.1/41.5
	1590003940	S.TR RN1105 (TE85L,F) except [FRA], [AUS], [CHN] [FRA], [AUS], [CHN]	T	29.1/41.5
Q13	1590003520	S.TR BCR108T	T	31.6/41.5
	1590003940	S.TR RN1105 (TE85L,F) except [FRA], [AUS], [CHN] [FRA], [AUS], [CHN]	T	31.6/41.5
Q21	1530002060	S.TR 2SC4081 T106 R	T	11.3/6.3
Q22	1530002601	S.TR 2SC4215-O (TE85R,F)	T	10.4/17.8
Q23	1590003520	S.TR BCR108T	T	13/11
	1590003940	S.TR RN1105 (TE85L,F) except [FRA], [AUS], [CHN] [FRA], [AUS], [CHN]	T	13/11
Q42	1530002601	S.TR 2SC4215-O (TE85R,F)	T	18.8/18.8
Q43	1590003520	S.TR BCR108T	T	19.6/11.7
	1590003940	S.TR RN1105 (TE85L,F) except [FRA], [AUS], [CHN] [FRA], [AUS], [CHN]	T	19.6/11.7
Q61	1530002060	S.TR 2SC4081 T106 R	T	26.1/36.1
Q62	1530002060	S.TR 2SC4081 T106 R	T	20.6/38.6
Q70	1530002060	S.TR 2SC4081 T106 R	T	9.9/41.2
Q101	1530002700	S.TR 2SC4097 T106Q	T	36.7/40
D10	1790001250	S.DIO MA2S111-(TX)	T	31.4/31.7
D11	1790001250	S.DIO MA2S111-(TX)	T	16.5/38.2
D71	1750000381	S.DIO 1SS312 (TE85L,F)	T	29.8/34.9
D72	1750000381	S.DIO 1SS312 (TE85L,F)	T	29.9/37.6
X1	6050012210	XTL CR-772.OCVXO-148A		
L20	6200005491	S.COL NLV32T-331J	T	14.7/1.9
L21	6200003261	S.COL NLV32T-101J	T	6.9/11.2
L22	6200003261	S.COL NLV32T-101J	T	7.9/14.7
L23	6200003041	S.COL NLV32T-R68J	T	6.9/20.3
L24	6200003051	S.COL NLV32T-R82J	T	6.2/23.8
L41	6200003261	S.COL NLV32T-101J	T	15.3/13.7
L42	6200003261	S.COL NLV32T-101J	T	14.7/17.2
L43	6200003041	S.COL NLV32T-R68J	T	15.3/22.4
L44	6200003051	S.COL NLV32T-R82J	T	18.8/24.2
L61	6150004170	COL LS-476		
L62	6150004170	COL LS-476		
R1	7030003440	S.RES ERJ3GEYJ 102 V (1 k)	T	32.4/44.3
R2	7030003440	S.RES ERJ3GEYJ 102 V (1 k)	T	29.8/44.2
R3	7030003440	S.RES ERJ3GEYJ 102 V (1 k)	T	25.8/44.2
R11	7030003200	S.RES ERJ3GEYJ 100 V (10)	T	33.3/32.3
R12	7030003200	S.RES ERJ3GEYJ 100 V (10)	T	16.7/40.3
R13	7030003440	S.RES ERJ3GEYJ 102 V (1 k)	T	16.8/11.6
R20	7030003240	S.RES ERJ3GEYJ 220 V (22)	T	11.3/1.8
R21	7030003560	S.RES ERJ3GEYJ 103 V (10 k)	T	11.1/4.4
R22	7030003370	S.RES ERJ3GEYJ 271 V (270)	T	15.5/7.9
R23	7030004040	S.RES ERJ3GEYJ 4R7 V (4.7)	T	11.4/14
R24	7030003370	S.RES ERJ3GEYJ 271 V (270)	T	12.3/17.7
R25	7030003500	S.RES ERJ3GEYJ 332 V (3.3 k)	T	10.1/14.2
R26	7030003480	S.RES ERJ3GEYJ 222 V (2.2 k)	T	12.8/9.1
R27	7030003360	S.RES ERJ3GEYJ 221 V (220)	T	5.8/13.9
R28	7030003440	S.RES ERJ3GEYJ 102 V (1 k)	T	10.2/11.9
R43	7030003240	S.RES ERJ3GEYJ 220 V (22)	T	19.7/14.2
R44	7030003370	S.RES ERJ3GEYJ 271 V (270)	T	20.7/18.6
R45	7030003500	S.RES ERJ3GEYJ 332 V (3.3 k)	T	17.9/15.1
R46	7030003480	S.RES ERJ3GEYJ 222 V (2.2 k)	T	19.4/9.8
R47	7030003290	S.RES ERJ3GEYJ 560 V (56)	T	16.8/17.9
R61	7030003240	S.RES ERJ3GEYJ 220 V (22)	T	22.2/35.4
R62	7030003560	S.RES ERJ3GEYJ 103 V (10 k)	T	26.3/34.2
R63	7030003380	S.RES ERJ3GEYJ 331 V (330)	T	25.9/38
R64	7030003280	S.RES ERJ3GEYJ 470 V (47)	T	20.8/40.5
R65	7030003400	S.RES ERJ3GEYJ 471 V (470)	T	20/34.8
R67	7030003560	S.RES ERJ3GEYJ 103 V (10 k)	T	19.6/36.7
R68	7030003550	S.RES ERJ3GEYJ 822 V (8.2 k)	T	22.2/36.7
R71	7030003340	S.RES ERJ3GEYJ 151 V (150)	T	32.6/38.2
R72	7030003270	S.RES ERJ3GEYJ 390 V (39)	T	31.2/39.5
R73	7030003340	S.RES ERJ3GEYJ 151 V (150)	T	28.6/39.5
R75	7030003280	S.RES ERJ3GEYJ 470 V (47)	T	16.2/43.1
R77	7030003320	S.RES ERJ3GEYJ 101 V (100)	T	12.5/44.6
R78	7030003470	S.RES ERJ3GEYJ 182 V (1.8 k)	T	8/41
R79	7030003480	S.RES ERJ3GEYJ 222 V (2.2 k)	T	6.1/41.6
R80	7030003360	S.RES ERJ3GEYJ 221 V (220)	T	11.8/41
R82	7030003280	S.RES ERJ3GEYJ 470 V (47)	T	17.5/43.1
R91	7030006091	S.RES ERA3YED 822V (8.2 k)	T	19.5/7.1
R92	7030005341	S.RES ERA3YED 332V (3.3 k)	T	19.5/8.4
R93	7030003560	S.RES ERJ3GEYJ 103 V (10 k)	T	25.6/1.4
R94	7030003540	S.RES ERJ3GEYJ 682 V (6.8 k)	T	25.6/2.7
R95	7030003320	S.RES ERJ3GEYJ 101 V (100)	T	22.4/16.7
R96	7030003440	S.RES ERJ3GEYJ 102 V (1 k)	T	32/14.1
R97	7030003440	S.RES ERJ3GEYJ 102 V (1 k)	T	28.6/16.1
R98	7030003640	S.RES ERJ3GEYJ 473 V (47 k)	T	27.3/16.1

[OSC UNIT]

REF NO.	ORDER NO.	DESCRIPTION	M.	H/V LOCATION
R99	7030003480	S.RES ERJ3GEYJ 222 V (2.2 k)	T	22.4/10.1
R100	7030003640	S.RES ERJ3GEYJ 473 V (47 k)	T	27.2/6.4
R101	7030003360	S.RES ERJ3GEYJ 221 V (220)	T	36.9/38.1
R102	7030005981	S.RES ERA3YED 333V (33 k)	T	32.4/6.7
C1	4030006880	S.CER C1608 JB 1H 472K-T	T	39.6/47.6
C2	4030006880	S.CER C1608 JB 1H 472K-T	T	31.1/44.3
C3	4030006880	S.CER C1608 JB 1H 472K-T	T	33.7/44
C4	4030006880	S.CER C1608 JB 1H 472K-T	T	30.5/8.6
C5	4510008550	S.ELE EEE1H0SR	T	30.6/2.6
C6	4030006880	S.CER C1608 JB 1H 472K-T	T	35/3.4
C7	4510008550	S.ELE EEE1H0SR	T	38.7/2.6
C8	4030011600	S.CER C1608 JB 1E 104K-T	T	17.3/2.1
C9	4030006880	S.CER C1608 JB 1H 472K-T	T	27.1/43.1
C10	4510008680	S.ELE EEE1EA220SP	T	29.7/21.3
C11	4030004760	S.CER C2012 JF 1H 104Z-T	T	35.9/13
C12	4030006880	S.CER C1608 JB 1H 472K-T	T	39.2/12.8
C13	4510008680	S.ELE EEE1EA220SP	T	37.1/8.6
C14	4030006880	S.CER C1608 JB 1H 472K-T	T	94.7/33.9
C15	4030011600	S.CER C1608 JB 1E 104K-T	T	29.2/14.1
C16	4030011600	S.CER C1608 JB 1E 104K-T	T	29.6/32.3
C17	4030011600	S.CER C1608 JB 1E 104K-T	T	19.4/41.8
C18	4030011600	S.CER C1608 JB 1E 104K-T	T	17.8/38.3
C19	4030011600	S.CER C1608 JB 1E 104K-T	T	31.5/33
C20	4030011600	S.CER C1608 JB 1E 104K-T	T	13.3/5.2
C21	4030011600	S.CER C1608 JB 1E 104K-T	T	11.3/3.1
C22	4030011600	S.CER C1608 JB 1E 104K-T	T	15/11
C23	4030011600	S.CER C1608 JB 1E 104K-T	T	11.9/15.8
C24	4030011600	S.CER C1608 JB 1E 104K-T	T	12.7/14
C25	4030011600	S.CER C1608 JB 1E 104K-T	T	10.2/19.8
C26	4030017800	S.CER C1608 CH 1H 561J-T	T	10.2/21.1
C27	4030007120	S.CER C1608 CH 1H 820J-T	T	7.7/18.2
C28	4030011340	S.CER C1608 CH 1H 471J-T	T	8.9/25.2
C29	4030011330	S.CER C1608 CH 1H 391J-T	T	10.2/23.8
C30	4030007050	S.CER C1608 CH 1H 220J-T	T	8.4/24.5
C31	4030017800	S.CER C1608 CH 1H 561J-T	T	10.2/25.1
C32	4030011600	S.CER C1608 JB 1E 104K-T	T	10.8/9.2
C33	4030011600	S.CER C1608 JB 1E 104K-T	T	9.5/10.1
C42	4030011600	S.CER C1608 JB 1E 104K-T	T	21.6/12.7
C43	4030011600	S.CER C1608 JB 1E 104K-T	T	20.1/16.8
C44	4030011600	S.CER C1608 JB 1E 104K-T	T	19.9/15.5
C45	4030011600	S.CER C1608 JB 1E 104K-T	T	13.2/20.6
C46	4030017800	S.CER C1608 CH 1H 561J-T	T	15/19.8
C47	4030007120	S.CER C1608 CH 1H 820J-T	T	13.2/23.2
C48	4030011340	S.CER C1608 CH 1H 471J-T	T	17.5/21.5
C49	4030011330	S.CER C1608 CH 1H 391J-T	T	18.8/21.5
C50	4030007050	S.CER C1608 CH 1H 220J-T	T	20.6/22.1
C51	4030017800	S.CER C1608 CH 1H 561J-T	T	21.7/24.4
C52	4030011600	S.CER C1608 JB 1E 104K-T	T	17.6/8.8
C53	4030011600	S.CER C1608 JB 1E 104K-T	T	16.3/9.7
C61	4030011600	S.CER C1608 JB 1E 104K-T	T	26.3/32.9
C62	4030011600	S.CER C1608 JB 1E 104K-T	T	24.1/36.1
C63	4030011600	S.CER C1608 JB 1E 104K-T	T	25.9/39.3
C64	4030011600	S.CER C1608 JB 1E 104K-T	T	22.7/34.1
C66	4030007010	S.CER C1608 CH 1H 100D-T	T	12.8/25.1
C67	4030011600	S.CER C1608 JB 1E 104K-T	T	17/35.4
C71	4030006880	S.CER C1608 JB 1H 472K-T	T	33.8/39.5
C72	4030006880	S.CER C1608 JB 1H 472K-T	T	14.4/45.4
C73	4030006880	S.CER C1608 JB 1H 472K-T	T	6.1/40.3
C74	4030006880	S.CER C1608 JB 1H 472K-T	T	10/43.2
C75	4030006880	S.CER C1608 JB 1H 472K-T	T	13.1/40.9
C76	4030006880	S.CER C1608 JB 1H 472K-T	T	19.4/45.4
C77	4030011600	S.CER C1608 JB 1E 104K-T	T	10.7/44.6
C91	4030006880	S.CER C1608 JB 1H 472K-T	T	25.5/16.4
C92	4030006880	S.CER C1608 JB 1H 472K-T	T	17.3/4.7
C93	4030006880	S.CER C1608 JB 1H 472K-T	T	22.1/2.7
C94	4030006880	S.CER C1608 JB 1H 472K-T	T	27.9/8.6
C101	4550006480	S.TAN TEESVA 1C 475M8R	T	40/38.9
RL10	6330001750	RLY FTR-B4C2Z		
RL11	6330001750	RLY FTR-B4C2Z		
J2	6510019971	S.CNR 52808-1071	T	30.5/48.8
J71	6510007020	CNR TMP-J01X-V6		
J72	6510007020	CNR TMP-J01X-V6		
J73	6510007020	CNR TMP-J01X-V6		
EP2	6910014730	S.BEA MPZ2012S331A-T	T	38.8/43.6
EP3	6910014730	S.BEA MPZ2012S331A-T	T	35.8/43.6
EP10	6910014730	S.BEA MPZ2012S331A-T	T	94.7/30.6
EP91	6910014730	S.BEA MPZ2012S331A-T	T	23.6/19.7
EP92	6910014730	S.BEA MPZ2012S331A-T	T	19.2/4.4

M.=Mounted side (T: Mounted on the Top side B: Mounted on the Bottom side) S.=Surface mount

[DC-DC UNIT]

REF NO.	ORDER NO.	DESCRIPTION	M.	H/V LOCATION
IC1	1190002450	S.IC BD9851FEV-E2	T	37.8/69.7
IC21	1190002450	S.IC BD9851FEV-E2	T	85.5/69.7
IC41	1190002450	S.IC BD9851FEV-E2	T	37.8/26.6
IC151	1110002700	S.IC NJM2904M-TE1-#FMZB	T	162.5/59.9
Q1	1550000120	S.FET SSM3J112TU (TE85L)	T	28.6/66.8
Q2	1550000120	S.FET SSM3J112TU (TE85L)	T	28.6/64.1
Q11	1550000120	S.FET SSM3J112TU (TE85L)	T	42.4/65.1
Q12	1550000120	S.FET SSM3J112TU (TE85L)	T	42.4/62.4
Q21	1550000120	S.FET SSM3J112TU (TE85L)	T	74.9/67.1
Q31	1560001330	S.FET RSR025N03	T	86.6/62.9
Q41	1550000120	S.FET SSM3J112TU (TE85L)	T	28.6/21
Q42	1550000120	S.FET SSM3J112TU (TE85L)	T	28.6/23.7
Q51	1550000120	S.FET SSM3J112TU (TE85L)	T	42.4/22
Q52	1550000120	S.FET SSM3J112TU (TE85L)	T	42.4/19.3
Q101	1560001260	S.FET 2SK3018 T106	T	156.1/61.6
Q102	1590001870	S.TR DTA114EE TL [FRA], [AUS], [CHN]	T	156.2/57.4
	1590003570	S.TR BCR183T	T	
		except [FRA], [AUS], [CHN]	T	156.2/57.4
Q111	1520000460	S.TR 2SB1132 T100 R	T	154.9/45.8
Q112	1530002060	S.TR 2SC4081 T106 R	T	158.6/48.2
D1	1750000960	S.DIO RB081L-20	T	31.4/61.1
D2	1750000880	S.DIO RB551V-30TE-17	T	30.9/69.7
D11	1750000960	S.DIO RB081L-20	T	38.1/59.9
D12	1750000880	S.DIO RB551V-30TE-17	T	42.6/68.1
D21	1790001450	S.DIO RB160L-40 TE-25	T	71.7/65.1
D31	1790001450	S.DIO RB160L-40 TE-25	T	97/62.6
D41	1750000960	S.DIO RB081L-20	T	31.4/18
D42	1750000880	S.DIO RB551V-30TE-17	T	30.9/26.6
D51	1750000960	S.DIO RB081L-20	T	38.1/16.8
D52	1750000880	S.DIO RB551V-30TE-17	T	42.6/25
D101	1750000550	S.DIO 1SS355 TE-17	T	154/61.7
D102	1750000550	S.DIO 1SS355 TE-17	T	154.2/55.8
D111	1730002280	S.ZEN MA8091-M (TX)	T	162.1/49.7
D121	1790000700	DIO DSA3A1	T	
D122	1790000700	DIO DSA3A1	T	
D151	1750000550	S.DIO 1SS355 TE-17	T	161.6/54.2
FI121	4580000220	S.FIL ACM1211-701-2PL-TL	T	151.1/26.3
L1	6200012250	S.COL SLF7045T-3R3M2R5-PF 3.3U	T	23/62.5
L2	6200011300	S.COL EXCML16A270U	T	27.4/61.4
L11	6200012250	S.COL SLF7045T-3R3M2R5-PF 3.3U	T	48/60.2
L12	6200011300	S.COL EXCML16A270U	T	49.2/60.3
L21	6180003501	S.COL SLF6028T-100M1R3-PF	T	78.2/60.4
L22	6200011300	S.COL EXCML16A270U	T	72.1/61.3
L23	6200011300	S.COL EXCML16A270U	T	76.7/65.2
L31	6200012240	S.COL SLF6028T-330MR69-PF 33U	T	92.2/62.4
L32	6200011300	S.COL EXCML16A270U	T	96.2/58
L33	6200011300	S.COL EXCML16A270U	T	88.3/64.9
L41	6200012250	S.COL SLF7045T-3R3M2R5-PF 3.3U	T	23/19.4
L42	6200011300	S.COL EXCML16A270U	T	27.4/18.3
L51	6200012250	S.COL SLF7045T-3R3M2R5-PF 3.3U	T	48/17.1
L52	6200011300	S.COL EXCML16A270U	T	42.9/17.2
L91	6200010881	S.COL CDRH124NP-330MC	T	56.1/72.8
L92	6200010881	S.COL CDRH124NP-330MC	T	103.8/72.8
L93	6200010881	S.COL CDRH124NP-330MC	T	56.1/29.7
R1	7030006101	S.RES ERA3YED 183V (18 k) [FRA], [AUS], [CHN]	T	24.2/70
R1	7030006561	S.RES ERA3YED 223V (22 k) except [FRA], [AUS], [CHN]	T	24.2/70
R2	7030006091	S.RES ERA3YED 822V (8.2 k) [FRA], [AUS], [CHN]	T	24.2/71.3
R2	7030007230	S.RES ERA3YED 102V (1 k) except [FRA], [AUS], [CHN]	T	24.2/71.3
R3	7030005321	S.RES ERA3YED 103V (10 k)	T	24.2/72.6
R4	7030003440	S.RES ERJ3GEYJ 102 V (1 k)	T	27/68.7
R5	7030003480	S.RES ERJ3GEYJ 222 V (2.2 k)	T	31.5/72
R6	7030003760	S.RES ERJ3GEYJ 474 V (470 k)	T	28.9/72
R8	7030005451	S.RES ERA3YED 153V (15 k)	T	29.6/73.9
R9	7030005321	S.RES ERA3YED 103V (10 k)	T	31.5/74.7
R10	7030003600	S.RES ERJ3GEYJ 223 V (22 k)	T	34.1/74.7
R11	7030005691	S.RES ERA3YED 123V (12 k) [FRA], [AUS], [CHN]	T	46.2/70.4
R11	7030006561	S.RES ERA3YED 223V (22 k) except [FRA], [AUS], [CHN]	T	46.2/70.4
R12	7030005691	S.RES ERA3YED 123V (12 k) [FRA], [AUS], [CHN]	T	47.8/69.1
R12	7030007230	S.RES ERA3YED 102V (1 k) except [FRA], [AUS], [CHN]	T	47.8/69.1
R13	7030005321	S.RES ERA3YED 103V (10 k)	T	45.5/72.5
R14	7030003440	S.RES ERJ3GEYJ 102 V (1 k)	T	48.1/72.5
R15	7030003480	S.RES ERJ3GEYJ 222 V (2.2 k)	T	45.5/68.4
R16	7030003760	S.RES ERJ3GEYJ 474 V (470 k)	T	45.7/65.8
R17	7510001671	S.TMR NTCG16 4BH 103JT	T	37.4/73.8
R18	7030006601	S.RES ERA3YED 272V (2.7 k)	T	37.4/75.3
R21	7030005691	S.RES ERA3YED 123V (12 k)	T	73.8/75.1
R22	7030007230	S.RES ERA3YED 102V (1 k)	T	76.4/74.4
R23	7030006461	S.RES ERA3YED 152V (1.5 k)	T	73.8/72.4
R24	7030003440	S.RES ERJ3GEYJ 102 V (1 k)	T	72.5/75.1
R25	7030003440	S.RES ERJ3GEYJ 102 V (1 k)	T	77.1/71
R26	7030003700	S.RES ERJ3GEYJ 154 V (150 k)	T	75.1/69.8
R27	7030003740	S.RES ERJ3GEYJ 334 V (330 k)	T	73/69
R28	7030005451	S.RES ERA3YED 153V (15 k)	T	77.1/72.3
R29	7030005321	S.RES ERA3YED 103V (10 k)	T	77.7/74.4
R30	7030003600	S.RES ERJ3GEYJ 223 V (22 k)	T	80.9/72.9
R31	7030008071	S.RES ERA3YED 273V (27 k)	T	93.9/70.6

[DC-DC UNIT]

REF NO.	ORDER NO.	DESCRIPTION	M.	H/V LOCATION
R33	7030007230	S.RES ERA3YED 102V (1 k)	T	93.2/72.7
R34	7030003440	S.RES ERJ3GEYJ 102 V (1 k)	T	95.8/72.7
R35	7030003440	S.RES ERJ3GEYJ 102 V (1 k)	T	92.4/68.4
R36	7030003700	S.RES ERJ3GEYJ 154 V (150 k)	T	94.7/66.6
R37	7030003740	S.RES ERJ3GEYJ 334 V (330 k)	T	96.4/68.6
R41	7030005691	S.RES ERA3YED 123V (12 k)	T	24.2/26.9
R42	7030005691	S.RES ERA3YED 123V (12 k)	T	24.2/28.2
R43	7030005321	S.RES ERA3YED 103V (10 k)	T	24.2/29.5
R44	7030003440	S.RES ERJ3GEYJ 102 V (1 k)	T	27/25.6
R45	7030003480	S.RES ERJ3GEYJ 222 V (2.2 k)	T	31.5/28.9
R46	7030003760	S.RES ERJ3GEYJ 474 V (470 k)	T	28.9/28.9
R48	7030005451	S.RES ERA3YED 153V (15 k)	T	29.6/30.8
R49	7030005321	S.RES ERA3YED 103V (10 k)	T	31.5/31.6
R50	7030003600	S.RES ERJ3GEYJ 223 V (22 k)	T	34.1/31.6
R51	7030005691	S.RES ERA3YED 123V (12 k)	T	46.2/27.3
R52	7030005691	S.RES ERA3YED 123V (12 k)	T	47.8/26
R53	7030005321	S.RES ERA3YED 103V (10 k)	T	45.5/29.4
R54	7030003440	S.RES ERJ3GEYJ 102 V (1 k)	T	48.1/29.4
R55	7030003480	S.RES ERJ3GEYJ 222 V (2.2 k)	T	45.5/25.3
R56	7030003760	S.RES ERJ3GEYJ 474 V (470 k)	T	45.7/22.7
R101	7030003320	S.RES ERJ3GEYJ 101 V (100)	T	152.4/64.8
R102	7030003680	S.RES ERJ3GEYJ 104 V (100 k)	T	156/65
R103	7030003320	S.RES ERJ3GEYJ 101 V (100)	T	153.2/58.1
R104	7030003860	S.RES ERJ3GE JPW V	T	152/49.4
R112	7030003500	S.RES ERJ3GEYJ 332 V (3.3 k)	T	160.5/49.4
R113	7030003860	S.RES ERJ3GE JPW V	T	163.8/41.8
R114	7030003560	S.RES ERJ3GEYJ 103 V (10 k)	T	155.6/49.1
R131	7030003440	S.RES ERJ3GEYJ 102 V (1 k)	T	2.7/42.3
R132	7030003740	S.RES ERJ3GEYJ 102 V (1 k)	T	1.4/42.3
R151	7030005351	S.RES ERA3YED 182V (1.8 k)	T	167.2/59.3
R152	7030005341	S.RES ERA3YED 332V (3.3 k)	T	165.9/60.8
R153	7030005341	S.RES ERA3YED 332V (3.3 k)	T	161.8/65.5
R154	7030005681	S.RES ERA3YED 473V (47 k)	T	163.7/64.7
R155	7030003200	S.RES ERJ3GEYJ 100 V (10)	T	167.2/56.3
C1	4030011600	S.CER C1608 JB 1E 104K-T	T	29.2/56.9
C2	4030018970	S.CER C3225 JB 1C 226MT-N	T	32.2/58.1
C3	4030018970	S.CER C3225 JB 1C 226MT-N	T	32.2/66.1
C4	4030010240	S.CER C1608 JB 1H 391K-T	T	27/70
C5	4030010770	S.CER C1608 JB 1H 392K-T	T	30.2/72
C7	4030018520	S.CER C1608 JB 0J 225M-T	T	27.6/72
C8	4030007070	S.CER C1608 CH 1H 330J-T	T	32.8/74.7
C9	4030011600	S.CER C1608 JB 1E 104K-T	T	52/64.6
C11	4030011600	S.CER C1608 JB 1E 104K-T	T	43.6/57.1
C12	4030018970	S.CER C3225 JB 1C 226MT-N	T	37.8/56.9
C13	4030018970	S.CER C3225 JB 1C 226MT-N	T	38.3/63.7
C14	4030010240	S.CER C1608 JB 1H 391K-T	T	46.8/72.5
C15	4030010770	S.CER C1608 JB 1H 392K-T	T	44.2/68.4
C16	4030011600	S.CER C1608 JB 1E 104K-T	T	47.8/67.8
C17	4030018520	S.CER C1608 JB 0J 225M-T	T	47.8/66.5
C18	4030019090	S.CER C2012 JB 1C 225M-T	T	42.6/73.8
C19	4030017490	S.CER C1608 JB 1A 105K-T	T	44.1/72.8
C21	4030011600	S.CER C1608 JB 1E 104K-T	T	70.6/59
C22	4030018970	S.CER C3225 JB 1C 226MT-N	T	72.9/58.2
C23	4030018970	S.CER C3225 JB 1C 226MT-N	T	79.6/66.1
C24	4030010020	S.CER C1608 JB 1H 122K-T	T	75.1/74.4
C25	4030008860	S.CER C1608 JB 1H 153K-T	T	77.1/69.7
C27	4030011600	S.CER C1608 JB 1E 104K-T	T	73/70.3
C28	4030007070	S.CER C1608 CH 1H 330J-T	T	79.6/72.2
C29	4030011600	S.CER C1608 JB 1E 104K-T	T	100.2/65
C31	4030011600	S.CER C1608 JB 1E 104K-T	T	98.2/57.2
C32	4030011600	S.CER C1608 JB 1E 104K-T	T	98.2/55.9
C33	4030018970	S.CER C3225 JB 1C 226MT-N	T	91.3/56.7
C34	4030018970	S.CER C3225 JB 1C 226MT-N	T	86.6/56.7
C35	4030018970	S.CER C3225 JB 1C 226MT-N	T	86.6/59.7
C36	4030010240	S.CER C1608 JB 1H 391K-T	T	94.5/72.7
C37	4030008850	S.CER C1608 JB 1H 123K-T	T	91.1/68.4
C38	4030011600	S.CER C1608 JB 1E 104K-T	T	93.8/68.6
C39	4030006880	S.CER C1608 JB 1H 472K-T	T	95.1/68.8
C41	4030011600	S.CER C1608 JB 1E 104K-T	T	29.2/13.8
C42	4030018970	S.CER C3225 JB 1C 226MT-N	T	32.2/15
C43	4030018970	S.CER C3225 JB 1C 226MT-N	T	32.2/23
C44	4030010240	S.CER C1608 JB 1H 391K-T	T	27/26.9
C45	4030010770	S.CER C1608 JB 1H 392K-T	T	30.2/28.9
C47	4030018520	S.CER C1608 JB 0J 225M-T	T	27.6/28.9
C48	4030007070	S.CER C1608 CH 1H 330J-T	T	32.8/31.6
C49	4030011600	S.CER C1608 JB 1E 104K-T	T	52/21.5
C51	4030011600	S.CER C1608 JB 1E 104K-T	T	43.6/14
C52	4030018970	S.CER C3225 JB 1C 226MT-N	T	37.8/13.8
C53	4030018970	S.CER C3225 JB 1C 226MT-N	T	38.3/20.6
C54	4030010240	S.CER C1608 JB 1H 391K-T	T	46.8/29.4
C55	4030010770	S.CER C1608 JB 1H 392K-T	T	44.2/25.3
C56	4030011600	S.CER C1608 JB 1E 104K-T	T	47.8/24.7
C57	4030018520	S.CER C1608 JB 0J 225M-T	T	47.8/23.4
C58	4030019090	S.CER C2012 JB 1C 225M-T	T	42.6/30.7
C59	4030017490	S.CER C1608 JB 1A 105K-T	T	44.1/29.7
C95	4030019090	S.CER C2012 JB 1C 225M-T	T	90.3/73.8
C96	4030017490	S.CER C1608 JB 1A 105K-T	T	91.8/72.8
C97	4030011600	S.CER C1608 JB 1E 104K-T	T	85.2/65.5
C101	4030011600	S.CER C1608 JB 1E 104K-T	T	156/63.7
C102	4030011600	S.CER C1608 JB 1E 104K-T	T	153.7/64.8
C103	4030011600	S.CER C1608 JB 1E 104K-T	T	152.4/62
C104	4030011600	S.CER C1608 JB 1E 104K-T	T	156.4/55.3
C105	4030011600	S.CER C1608 JB 1E 104K-T	T	156.4/54
C106	4030011600	S.CER C1608 JB 1E 104K-T	T	152.4/56.1
C111	4030011600	S.CER C1608 JB 1E 104K-T	T	163.6/49.3
C112	4030011600	S.CER C1608 JB 1E 104K-T	T	1

[DC-DC UNIT]

REF NO.	ORDER NO.	DESCRIPTION	M.	H/V LOCATION
C127	4030018960	S.CER C3216 JB 1C 106MT-N	T	146.4/33.7
C129	4030011600	S.CER C1608 JB 1E 104K-T	T	164.4/34.2
C130	4030018970	S.CER C3225 JB 1C 226MT-N	T	162.3/33.8
C131	4030011600	S.CER C1608 JB 1E 104K-T	T	8.8/15.2
C132	4030011600	S.CER C1608 JB 1E 104K-T	T	14.5/25.2
C133	4030011600	S.CER C1608 JB 1E 104K-T	T	14.5/27.7
C134	4030011600	S.CER C1608 JB 1E 104K-T	T	14.5/30.2
C141	4030011600	S.CER C1608 JB 1E 104K-T	T	9.1/53.8
C142	4030011600	S.CER C1608 JB 1E 104K-T	T	14.2/58.8
C143	4030011600	S.CER C1608 JB 1E 104K-T	T	16/61.3
C144	4030011600	S.CER C1608 JB 1E 104K-T	T	13.2/61.3
C145	4030011600	S.CER C1608 JB 1E 104K-T	T	13.2/63.8
C146	4030011600	S.CER C1608 JB 1E 104K-T	T	9/71.3
C151	4030011600	S.CER C1608 JB 1E 104K-T	T	165.9/57.8
RL101	6330001060	RLY APQ 3311 (APQ3311K1)		
RL102	6330001060	RLY APQ 3311 (APQ3311K1)		
J1	6510003461	CNR B10B-EH-S (LF) (SN)		
J2	6510003441	CNR B08B-EH-S (LF) (SN)		
J4	6510003441	CNR B08B-EH-S (LF) (SN)		
J7	6510014961	S.CNR B2B-ZR-SM4-TF (LF) (SN)	T	167.1/45.1
F141	5210001040	S.FUS ICP-S1.2TN	T	12.2/11.9
F142	5210001040	S.FUS ICP-S1.2TN	T	15.2/11.9
F143	5210001050	S.FUS ICP-S0.5TN	T	24.7/48.1
F144	5210001050	S.FUS ICP-S0.5TN	T	29.5/46.8
F145	5210001040	S.FUS ICP-S1.2TN	T	14.9/52.9
F146	5210001040	S.FUS ICP-S1.2TN	T	12.6/50.6
W1	8900015610	CBL OPC-1591		
EP1	6910014730	S.BEA MPZ2012S331A-T	T	27.6/58.3
EP11	6910014730	S.BEA MPZ2012S331A-T	T	42.1/56.8
EP21	6910014730	S.BEA MPZ2012S331A-T	T	69/58.8
EP31	6910014730	S.BEA MPZ2012S331A-T	T	94.6/56.9
EP41	6910014730	S.BEA MPZ2012S331A-T	T	27.6/15.2
EP51	6910014730	S.BEA MPZ2012S331A-T	T	42.1/13.7
EP131	6910014730	S.BEA MPZ2012S331A-T	T	8.9/30.2
EP132	6910014730	S.BEA MPZ2012S331A-T	T	8.9/27.7
EP133	6910014730	S.BEA MPZ2012S331A-T	T	8.9/25.2
EP134	6910014730	S.BEA MPZ2012S331A-T	T	8.9/22.7
EP135	6910014730	S.BEA MPZ2012S331A-T	T	8.9/20.2
EP136	6910014730	S.BEA MPZ2012S331A-T	T	8.9/17.7
EP141	6910014730	S.BEA MPZ2012S331A-T	T	8.9/68.8
EP142	6910014730	S.BEA MPZ2012S331A-T	T	8.9/66.3
EP143	6910014730	S.BEA MPZ2012S331A-T	T	8.9/63.8
EP144	6910014730	S.BEA MPZ2012S331A-T	T	8.9/61.3
EP145	6910014730	S.BEA MPZ2012S331A-T	T	8.9/58.8
EP146	6910014730	S.BEA MPZ2012S331A-T	T	8.9/56.3

[CONNECT-A UNIT]

REF NO.	ORDER NO.	DESCRIPTION	M.	H/V LOCATION
IC1	1120003040	S.IC ADM3202ARNZ	T	172.3/26.1
IC2	1130005721	S.IC TC7W04F (TE12L,F)	T	155.8/28.2
IC3	1130005252	S.IC TC74HC08AF (EL,F)	T	155.8/16.4
Q1	1510000510	S.TR 2SA1576A T106R	T	150.2/26.4
Q2	1530002280	S.TR 2SC4081 T106 S	T	144.1/20.8
D1	1750000550	S.DIO 1SS355 TE-17	T	144.3/24.2
L301	6200003191	S.COL NLV32T-470J	T	87/34.4
L401	6200003241	S.COL NLV32T-221J	T	90.3/14.5
R1	7030003860	S.RES ERJ3GE JPW V	T	176.3/35
R2	7030003860	S.RES ERJ3GE JPW V	T	172/35
R3	7030003860	S.RES ERJ3GE JPW V	T	172/33.6
R4	7030003860	S.RES ERJ3GE JPW V	T	191.3/36
R6	7030003640	S.RES ERJ3GEYJ 473 V (47 k)	T	155.7/31.7
R7	7030003640	S.RES ERJ3GEYJ 473 V (47 k)	T	148.7/20.2
R8	7030003560	S.RES ERJ3GEYJ 103 V (10 k)	T	150.1/24.2
R9	7030003590	S.RES ERJ3GEYJ 183 V (18 k)	T	147.3/24.2
R10	7030003590	S.RES ERJ3GEYJ 183 V (18 k)	T	148.7/20.2
R11	7030003640	S.RES ERJ3GEYJ 473 V (47 k)	T	148.2/14.1
R12	7030003640	S.RES ERJ3GEYJ 473 V (47 k)	T	148.2/12.9
R201	7030003350	S.RES ERJ3GEYJ 181 V (180)	T	110.5/34
R202	7030003350	S.RES ERJ3GEYJ 181 V (180)	T	99.4/34
R301	7030003320	S.RES ERJ3GEYJ 101 V (100)	T	90.3/39
R401	7030003360	S.RES ERJ3GEYJ 221 V (220)	T	122.8/8
R402	7030003360	S.RES ERJ3GEYJ 221 V (220)	T	122.8/6.5
R403	7030003360	S.RES ERJ3GEYJ 221 V (220)	T	122.8/9.5
R404	7030003360	S.RES ERJ3GEYJ 221 V (220)	T	122.8/11
R601	7030003860	S.RES ERJ3GE JPW V	T	70.2/36.5
R602	7030003860	S.RES ERJ3GE JPW V	T	68.1/36.5
C1	4030017490	S.CER C1608 JB 1A 105K-T	T	175.6/31
C2	4030017490	S.CER C1608 JB 1A 105K-T	T	172.3/31
C3	4030017490	S.CER C1608 JB 1A 105K-T	T	168.9/31
C4	4030017490	S.CER C1608 JB 1A 105K-T	T	178.7/26.1
C6	4030017490	S.CER C1608 JB 1A 105K-T	T	176.2/21.4
C7	4030011600	S.CER C1608 JB 1E 104K-T	T	155.8/24.6
C8	4030011600	S.CER C1608 JB 1E 104K-T	T	156/10
C301	4030011600	S.CER C1608 JB 1E 104K-T	T	87.7/37.9
C401	4030011600	S.CER C1608 JB 1E 104K-T	T	93.8/14.5
J1	6510023671	CNR TCS4480-0141577		
J2	6510023720	CNR LGY6501-0600C		
J3	6510023120	CNR CD6109SA1J0 <CIVI>		
J4	6510018961	S.CNR B2B-PH-SM4-TB (LF) (SN)	T	216.8/18.2
J101	6450001941	CNR KEY-15S-2A3A (LF) (SN)		
J201	6510024040	CNR TM11R-5M2-88-LP		
J202	6510020251	S.CNR B9B-PH-SM4-TB (LF) (SN)	T	104.2/26
J301	6510025640	CNR JFJ3004-010010		
J401	6510021721	S.CNR 30FLT-SM2-TB (LF) (SN)	T	100.3/10.1
J501	6510025670	S.CNR 31-5620-050-719-871+ except [FRA], [AUS], [CHN]	T	34.5/14.6
	6510026930	S.CNR 31-5620-050-729-871+ [FRA], [AUS], [CHN]	T	34.5/14.6
J502	6510024151	S.CNR 50FY-BMT-TB (LF) (SN)	T	34.5/4.3
J602	6510024031	CNR UBA-4R-D10T-1 (LF) (SN) except [FRA], [AUS], [CHN]	T	
	6510024032	CNR UBA-4R-D10T-4D (LF) (SN) [FRA], [AUS], [CHN]	T	
J603	6510024521	S.CNR 12FLT-SM2-TB (LF) (SN)	T	54.3/6
DS201	5040002930	S.LED SML-512MW T86	T	110.5/36.2
DS202	5040002930	S.LED SML-512MW T86	T	99.4/36.2
EP1	6910012350	S.BEA MMZ1608Y 102BT	T	194.8/33.5
EP2	6910012350	S.BEA MMZ1608Y 102BT	T	192/33.5
EP607	6910012350	S.BEA MMZ1608Y 102BT except [FRA], [AUS], [CHN]	T	72.6/36.5
	6910014730	S.BEA MPZ2012S331A-T [FRA], [AUS], [CHN]	T	72.6/36.5
EP611	6910012350	S.BEA MMZ1608Y 102BT except [FRA], [AUS], [CHN]	T	65.6/36.5
	6910014730	S.BEA MPZ2012S331A-T [FRA], [AUS], [CHN]	T	65.6/36.5

M.=Mounted side (T: Mounted on the Top side B: Mounted on the Bottom side)
S.=Surface mount

[CONNECT-B UNIT]

REF NO.	ORDER NO.	DESCRIPTION	M.	H/V LOCATION
IC11	1110003091	IC LA4425A-E		
IC21	1110006300	S.IC NJM2172V-TE1-#ZZZB	T	182.1/6.3
IC41	1110005610	S.IC NJM2058V-TE1-#ZZZB	T	145.4/9.1
IC81	1110002810	S.IC NJM2070M-TE1-#ZZZB	T	115.9/8.3
IC91	1120002830	S.IC NJM2125F-TE1-#FZZB	T	123.4/14.4
IC121	1110005731	S.IC S-80928CNMC-G8Y-G	T	67.3/15.3
Q1	1590003520	S.TR BCR108T		
		except [FRA], [AUS], [CHN]	B	204.4/19.6
	1590003940	S.TR RN1105 (TE85L,F)		
		[FRA], [AUS], [CHN]	B	204.4/19.6
Q11	1540000471	S.TR 2SD1801S-TL-E	B	209.1/15.6
Q21	1560001330	S.FET RSR025N03	B	194.6/19.2
Q22	1560001330	S.FET RSR025N03	B	151.5/8.5
Q91	1550000010	S.FET 2S3J64-Q (TX)	T	127.6/10.2
Q121	1590003520	S.TR BCR108T		
		except [FRA], [AUS], [CHN]	T	69.9/21.9
	1590003940	S.TR RN1105 (TE85L,F)		
		[FRA], [AUS], [CHN]	T	69.9/21.9
Q151	1590003520	S.TR BCR108T		
		except [FRA], [AUS], [CHN]	T	110.6/32.6
	1590003940	S.TR RN1105 (TE85L,F)		
		[FRA], [AUS], [CHN]	T	110.6/32.6
Q161	1590001870	S.TR DTA114EE TL [FRA], [AUS], [CHN]	T	114.3/34.9
	1590003570	S.TR BCR183T		
		except [FRA], [AUS], [CHN]	T	114.3/34.9
Q162	1590003520	S.TR BCR108T		
		except [FRA], [AUS], [CHN]	B	104.1/32
	1590003940	S.TR RN1105 (TE85L,F)		
		[FRA], [AUS], [CHN]	B	104.1/32
Q171	1530002060	S.TR 2SC4081 T106 R	B	116.6/22.4
Q181	1130009930	TR 2SB1274R		
Q182	1510000771	S.TR 2SA1586-GR (TE85L,F)	T	150.1/33.4
Q401	1590003520	S.TR BCR108T		
		except [FRA], [AUS], [CHN]	T	100.2/31.5
	1590003940	S.TR RN1105 (TE85L,F)		
		[FRA], [AUS], [CHN]	T	100.2/31.5
Q501	1530002060	S.TR 2SC4081 T106 R	T	68.2/30.4
D1	1750000550	S.DIO 1SS355 TE-17	B	205.1/24.8
D91	1750000550	S.DIO 1SS355 TE-17	T	126.8/15
D111	1750000550	S.DIO 1SS355 TE-17	B	165.4/30.3
D112	1790000950	S.ZEN MA8055-M (TX)	B	162.3/31
D121	1750000550	S.DIO 1SS355 TE-17	T	73/20.2
D161	1160000070	S.DIO DAN202K T146	T	110.7/35.6
D171	1750000550	S.DIO 1SS355 TE-17	B	122.7/26.6
D401	1750000550	S.DIO 1SS355 TE-17	B	98.1/31.8
FI103	5210000041	FUS FGB 2A PBF (FGB0 125V) except [CHN]		
L21	6200003261	S.COL NLV32T-101J	T	177.5/14.3
L81	6200003261	S.COL NLV32T-101J	T	120.3/9
L111	6200003261	S.COL NLV32T-101J	T	170.9/29.9
L113	6200003261	S.COL NLV32T-101J	T	167.8/29.9
L114	6200003261	S.COL NLV32T-101J	T	176.3/29.9
L116	6200003261	S.COL NLV32T-101J	T	179.3/29.9
R2	7030003320	S.RES ERJ3GEYJ 101 V (100)	B	209.5/22.3
R11	7030003280	S.RES ERJ3GEYJ 470 V (47)	B	205/8.9
R12	7030003440	S.RES ERJ3GEYJ 102 V (1 k)	B	216/34.6
R13	7030004040	S.RES ERJ3GEYJ 4R7 V (4.7)	B	212.9/29.2
R14	7030003860	S.RES ERJ3GE JPW V	T	214.2/25.8
R15	7030003860	S.RES ERJ3GE JPW V	T	201.2/39.3
R21	7030003440	S.RES ERJ3GEYJ 102 V (1 k)	T	198.4/18.4
R22	7030003560	S.RES ERJ3GEYJ 103 V (10 k)	B	189.8/19
R23	7030003440	S.RES ERJ3GEYJ 102 V (1 k)	T	196/19.2
R24	7030003480	S.RES ERJ3GEYJ 222 V (2.2 k)	B	182.6/10.7
R25	7030003470	S.RES ERJ3GEYJ 182 V (1.8 k)	B	189.1/9.5
R26	7030003470	S.RES ERJ3GEYJ 182 V (1.8 k)	B	187.2/9.5
R27	7030003470	S.RES ERJ3GEYJ 182 V (1.8 k)	B	191.1/9.5
R28	7030003470	S.RES ERJ3GEYJ 182 V (1.8 k)	B	193.1/9.5
R29	7030003480	S.RES ERJ3GEYJ 222 V (2.2 k)	B	182.7/4.2
R30	7030003560	S.RES ERJ3GEYJ 103 V (10 k)	B	148.8/10.2
R31	7030003560	S.RES ERJ3GEYJ 103 V (10 k)	T	176/5.3
R32	7030003560	S.RES ERJ3GEYJ 103 V (10 k)	T	174.4/5.3
R33	7030003440	S.RES ERJ3GEYJ 102 V (1 k)	T	154.8/4.8
R34	7030003440	S.RES ERJ3GEYJ 102 V (1 k)	T	155.3/2.8
R35	7030003680	S.RES ERJ3GEYJ 104 V (100 k)	B	196.7/17.1
R36	7030003680	S.RES ERJ3GEYJ 104 V (100 k)	B	149.1/5.9
R41	7030003320	S.RES ERJ3GEYJ 101 V (100)	T	134.5/5.6
R42	7030003320	S.RES ERJ3GEYJ 101 V (100)	B	139.5/15.7
R43	7030003520	S.RES ERJ3GEYJ 472 V (4.7 k)	T	159.2/9.3
R44	7030003560	S.RES ERJ3GEYJ 103 V (10 k)	T	143.6/4.7
R45	7030003560	S.RES ERJ3GEYJ 103 V (10 k)	B	139.6/7.5
R46	7030003460	S.RES ERJ3GEYJ 152 V (1.5 k)	T	143.6/2.3
R47	7030003560	S.RES ERJ3GEYJ 103 V (10 k)	T	127.8/8.2
R51	7030003550	S.RES ERJ3GEYJ 822 V (8.2 k)	T	159.2/8
R52	7030003540	S.RES ERJ3GEYJ 682 V (6.8 k)	T	147.7/4.7
R53	7030003440	S.RES ERJ3GEYJ 102 V (1 k)	T	146.3/3.5
R54	7030003620	S.RES ERJ3GEYJ 333 V (33 k)	T	149/2.3
R55	7030003640	S.RES ERJ3GEYJ 473 V (47 k)	T	146.3/2.3
R61	7030003560	S.RES ERJ3GEYJ 103 V (10 k)	T	159.2/11.9
R62	7030003560	S.RES ERJ3GEYJ 103 V (10 k)	B	142.9/15.7
R63	7030003590	S.RES ERJ3GEYJ 183 V (18 k)	T	147.4/13.6
R64	7030003440	S.RES ERJ3GEYJ 102 V (1 k)	B	142.9/10.3
R65	7030003440	S.RES ERJ3GEYJ 102 V (1 k)	B	142.9/12.1
R71	7030003560	S.RES ERJ3GEYJ 103 V (10 k)	T	159.2/10.6
R72	7030003560	S.RES ERJ3GEYJ 103 V (10 k)	B	142.9/13.9

[CONNECT-B UNIT]

REF NO.	ORDER NO.	DESCRIPTION	M.	H/V LOCATION
R73	7030003590	S.RES ERJ3GEYJ 183 V (18 k)	T	143.3/13.6
R74	7030003440	S.RES ERJ3GEYJ 102 V (1 k)	T	149.3/13.4
R81	7030004050	S.RES ERJ3GEYJ 1R0 V (1 k)	T	82.9/24.9
R82	7030003860	S.RES ERJ3GE JPW V	T	112.3/4.2
R83	7030003560	S.RES ERJ3GEYJ 103 V (10 k)	T	112.3/7.4
R84	7030003520	S.RES ERJ3GEYJ 472 V (4.7 k)	B	113.8/9.1
R85	7030003330	S.RES ERJ3GEYJ 121 V (120)	B	111.6/11
R86	7030003440	S.RES ERJ3GEYJ 102 V (1 k)	T	80.3/23.7
R91	7030003440	S.RES ERJ3GEYJ 102 V (1 k)	T	127.9/12.1
R93	7030003480	S.RES ERJ3GEYJ 222 V (2.2 k)	B	126.2/11.7
R94	7030003600	S.RES ERJ3GEYJ 223 V (22 k)	T	125.6/10.9
R95	7030003320	S.RES ERJ3GEYJ 101 V (100)	B	123.4/18.9
R96	7030003640	S.RES ERJ3GEYJ 473 V (47 k)	T	121.5/16.8
R97	7030003460	S.RES ERJ3GEYJ 392 V (3.9 k)	T	123.3/12.1
R98	7030003560	S.RES ERJ3GEYJ 103 V (10 k)	T	120.9/14.2
R99	7030003700	S.RES ERJ3GEYJ 154 V (150 k)	T	126.6/13.5
R111	7030003440	S.RES ERJ3GEYJ 102 V (1 k)	B	158.6/30
R121	7030003560	S.RES ERJ3GEYJ 103 V (10 k)	T	67.1/21.8
R122	7030003600	S.RES ERJ3GEYJ 223 V (22 k)	T	66.1/18.8
R123	7030003560	S.RES ERJ3GEYJ 103 V (10 k)	T	68.6/20
R124	7030003340	S.RES ERJ3GEYJ 151 V (150)	T	70.3/18.8
R151	7030003560	S.RES ERJ3GEYJ 103 V (10 k)	T	113.5/32.6
R171	7030003620	S.RES ERJ3GEYJ 333 V (33 k)	B	119.6/24.8
R172	7030003580	S.RES ERJ3GEYJ 153 V (15 k)	B	119.6/23
R173	7030003510	S.RES ERJ3GEYJ 392 V (3.9 k)	B	119.6/26.6
R174	7030003520	S.RES ERJ3GEYJ 472 V (4.7 k)	B	114.8/24.8
R181	7030007160	S.RES ERJ12YJ3R3U (3.3)	B	145.2/38.7
R182	7030003560	S.RES ERJ3GEYJ 103 V (10 k)	T	147.6/32.6
R183	7030003500	S.RES ERJ3GEYJ 332 V (3.3 k)	T	145.8/32.6
R184	7030003340	S.RES ERJ3GEYJ 151 V (150)	B	147.8/38.7
R185	7030003560	S.RES ERJ3GEYJ 103 V (10 k)	B	153.1/34
R186	7030003520	S.RES ERJ3GEYJ 472 V (4.7 k)	B	153/17.7
R401	7030003320	S.RES ERJ3GEYJ 101 V (100)	B	98.8/35.2
R501	7030003520	S.RES ERJ3GEYJ 472 V (4.7 k)	T	68.1/32.5
R502	7030003320	S.RES ERJ3GEYJ 101 V (100)	T	68.2/27
R503	7030003360	S.RES ERJ3GEYJ 221 V (220)	T	68.2/33.8
R504	7030003640	S.RES ERJ3GEYJ 473 V (47 k)	T	68.2/28.4
R505	7030003440	S.RES ERJ3GEYJ 102 V (1 k)	B	84.8/3.2
C1	4030006880	S.CER C1608 JB 1H 472K-T	B	205.2/21.4
C2	4030006880	S.CER C1608 JB 1H 472K-T	B	205.2/23
C11	4510008300	ELE EEUFC1C471L		
C12	4030011600	S.CER C1608 JB 1E 104K-T	B	213.7/19.2
C13	4510008220	ELE 16 ME 2200 CA		
C14	4030011600	S.CER C1608 JB 1E 104K-T	B	215.5/29.2
C15	4030006870	S.CER C1608 JB 1H 222K-T	T	216.4/26.5
C16	4510008550	S.ELE EEE1H0SR	T	205.5/19.2
C17	4510008510	S.ELE EEE1CA471P	T	192.7/9.1
C18	4510008500	S.ELE EEE1CA101WP	T	202.1/12.7
C21	4030008980	S.CER C2012 JB 1C 154K-T	B	197.3/19.5
C22	4030006900	S.CER C1608 JB 1H 103K-T	T	199.7/18.4
C23	4030011600	S.CER C1608 JB 1E 104K-T	B	191.8/19
C24	4030017490	S.CER C1608 JB 1A 105K-T	B	182.6/8.5
C25	4510008530	S.ELE EEE1HA2R2SR	T	191.1/19
C26	4510008540	S.ELE EEE1CA100SR	T	182.2/11.5
C27	4030017490	S.CER C1608 JB 1A 105K-T	B	182.6/6.2
C28	4510008540	S.ELE EEE1CA100SR	T	171/9.8
C29	4510008530	S.ELE EEE1HA2R2SR	T	159.3/4.8
C30	4510008540	S.ELE EEE1CA100SR	T	175.9/9.8
C31	4510008540	S.ELE EEE1CA100SR	T	165.4/4.8
C32	4510008540	S.ELE EEE1CA100SR	T	165.4/9.8
C33	4030011600	S.CER C1608 JB 1E 104K-T	B	151.4/11.6
C34	4030006900	S.CER C1608 JB 1H 103K-T	T	154.1/2.8
C35	4030008980	S.CER C2012 JB 1C 154K-T	B	152.1/5.8
C41	4510008540	S.ELE EEE1CA100SR	T	138.9/9
C42	4510008540	S.ELE EEE1CA100SR	T	138.8/13.8
C43	4030006860	S.CER C1608 JB 1H 102K-T	T	143.6/3.5
C44	4510009120	S.ELE EEE1VA2R2NR	T	138.9/4.2
C51	4030006870	S.CER C1608 JB 1H 222K-T	T	149/3.5
C61	4030007170	S.CER C1608 CH 1H 221J-T	T	147.4/14.9
C62	4510008540	S.ELE EEE1CA100SR	T	132.5/13.5
C63	4510008540	S.ELE EEE1CA100SR	T	132.5/8.7
C71	4030007170	S.CER C1608 CH 1H 221J-T	T	143.4/14.8
C72	4510008540	S.ELE EEE1CA100SR	T	152.9/13.8
C81	4510008500	S.ELE EEE1CA101WP	T	114.7/15.6
C82	4510008550	S.ELE EEE1H0SR	T	125.8/5.2
C83	4030011600	S.CER C1608 JB 1E 104K-T	T	115.8/3.5
C84	4510008510	S.ELE EEE1CA471P	T	105.8/8.9
C85	4030011810	S.CER C1608 JB 1A 224K-T	T	80.3/24.9
C86	4510009010	S		

[CONNECT-B UNIT]

REF NO.	ORDER NO.	DESCRIPTION	M.	H/V LOCATION
C501	4030006860	S.CER C1608 JB 1H 102K-T	T	68.2/36.5
C502	4030011600	S.CER C1608 JB 1E 104K-T	T	68.2/32.4
C503	4510008540	S.ELE EEE1CA100SR	T	72.4/33.3
C504	4510008540	S.ELE EEE1CA100SR	T	72.8/27.9
C505	4510008500	S.ELE EEE1CA101WP	T	62.2/32.4
C901	4030006860	S.CER C1608 JB 1H 102K-T	B	87.2/13.4
C902	4030006860	S.CER C1608 JB 1H 102K-T	B	85.2/13.4
C903	4030006860	S.CER C1608 JB 1H 102K-T	B	86.7/3.9
C904	4030006860	S.CER C1608 JB 1H 102K-T	B	81.2/13.4
C905	4030006860	S.CER C1608 JB 1H 102K-T	B	79.2/13.4
C906	4030006860	S.CER C1608 JB 1H 102K-T	B	77.2/13.4
C907	4030006860	S.CER C1608 JB 1H 102K-T	B	75.2/13.4
RL1	6330001790	RLY ATX203		
RL121	6330001721	RLY ATN207-K1		
RL401	6330001790	RLY ATX203		
J1	6510023720	CNR LGY6501-0600C		
J101	6510024940	CNR HEC2305-016250		
J111	6510023671	CNR TCS4480-0141577		
J181	6510023720	CNR LGY6501-0600C		
J201	6510023750	CNR 01K1971-10		
J202	6510007020	CNR TMP-J01X-V6		
J301	6450001130	CNR JPJ2042-01-110		
J401	6510023720	CNR LGY6501-0600C		
J501	6510023720	CNR LGY6501-0600C		
J601	6450001130	CNR JPJ2042-01-110		
J602	6510018961	S.CNR B2B-PH-SM4-TB (LF) (SN)	T	46.8/15.6
J603	6510022191	S.CNR B3B-PH-SM4-TB (LF) (SN)	T	59/15.6
J701	6450001800	CNR JPJ1044-01-010		
J702	6510007020	CNR TMP-J01X-V6		
J801	6510023750	CNR 01K1971-10		
J802	6510007020	CNR TMP-J01X-V6		
J901	6510021721	S.CNR 30FLT-SM2-TB (LF) (SN)	T	109.7/24.9
J902	6510022801	S.CNR B10B-PH-SM4-TB (LF) (SN)	T	78.2/6
F101	5220000230	HOL S-N5054		
F102	5220000230	HOL S-N5054		
F103	5210000031	FUS FGB 1A PBF (FGB0 125V)		
EP11	6910014730	S.BEA MPZ2012S331A-T	T	204.2/41.5
EP12	6910014730	S.BEA MPZ2012S331A-T	T	216.2/41.6
EP101	6910014730	S.BEA MPZ2012S331A-T	B	186.5/43.3
EP102	6910014730	S.BEA MPZ2012S331A-T	T	194.7/33.9
EP112	6910014730	S.BEA MPZ2012S331A-T	T	185.5/29.7
EP115	6910014730	S.BEA MPZ2012S331A-T	T	182.4/29.8
EP116	6910014730	S.BEA MPZ2012S331A-T	B	175.3/42.1
EP181	6910015970	S.BEA MMZ1608B 301CT-AS	B	153.5/43.7
EP182	6910015970	S.BEA MMZ1608B 301CT-AS	B	153.4/45.2
EP301	6910014730	S.BEA MPZ2012S331A-T	T	116/37.8
EP302	6910014730	S.BEA MPZ2012S331A-T	T	105.8/37.8
EP303	6910014730	S.BEA MPZ2012S331A-T	B	113.3/47.9
EP304	6910014730	S.BEA MPZ2012S331A-T	B	98.4/47.9
EP401	6910014730	S.BEA MPZ2012S331A-T	B	84/40.7
EP402	6910014730	S.BEA MPZ2012S331A-T	B	92.1/39.9
EP501	6910015970	S.BEA MMZ1608B 301CT-AS	T	66.2/38
EP502	6910015970	S.BEA MMZ1608B 301CT-AS	B	78.1/44.6
EP601	6910014730	S.BEA MPZ2012S331A-T	B	38.9/47.8
EP901	6910014730	S.BEA MPZ2012S331A-T	T	75.2/13
EP902	6910014730	S.BEA MPZ2012S331A-T	T	77.2/13
EP903	6910014730	S.BEA MPZ2012S331A-T	T	79.2/13
EP904	6910014730	S.BEA MPZ2012S331A-T	T	81.2/13
EP905	6910014730	S.BEA MPZ2012S331A-T	T	85.2/13
EP906	6910014730	S.BEA MPZ2012S331A-T	T	87.2/13

[REG UNIT]

REF NO.	ORDER NO.	DESCRIPTION	M.	H/V LOCATION
F1	5210000131	FUS FGB 4A PBF (FGB0 125V) [USA], [USA-01]		
	5210001030	FUS 0234002.MXP except [USA], [USA-01]		
F2	5220000380	HOL F-400-01A1 [USA], [USA-01]		
	5220000390	HOL F-400-01A2 except [USA], [USA-01]		
MF1	2710000810	FAN FD124010HB-1N7 (120) <USE>		
W1	8900015620	CBL OPC-1592		
W2	8900015680	CBL OPC-1598 [USA], [USA-01], [EXP]		
	8900015681	CBL OPC-1598A [EUR], [UK], [FRA], [AUS]		
W3	8900015690	CBL OPC-1600		
W4	8900015700	CBL OPC-1602		
EP1	6910016800	UBD PBA150F-15		

[MEMORY BOARD]

REF NO.	ORDER NO.	DESCRIPTION	M.	H/V LOCATION
IC1	1130013480	S.IC JS28F128J3D-75	T	39.8/26.2
IC2	1130013480	S.IC JS28F128J3D-75	T	24/26.2
C1	4030011600	S.CER C1608 JB 1E 104K-T	T	41.8/38.8
C2	4030011600	S.CER C1608 JB 1E 104K-T	T	39.9/13.2
C3	4030011600	S.CER C1608 JB 1E 104K-T	T	36.8/13.2
C4	4030011600	S.CER C1608 JB 1E 104K-T	T	26/38.8
C5	4030011600	S.CER C1608 JB 1E 104K-T	T	24/13.2
C6	4030011600	S.CER C1608 JB 1E 104K-T	T	21/13.2
J1	6510024210	S.CNR AXK6S30435P	T	55/20
J2	6510024200	S.CNR AXK6S40435P	T	10/20

[VCO2 BOARD]

REF NO.	ORDER NO.	DESCRIPTION	M.	H/V LOCATION
Q4100	1530003550	S.TR 2SC5193-T1	T	15.7/5
Q4101	1530003550	S.TR 2SC5193-T1	T	18.7/6.2
Q4102	1590003940	S.TR RN1105 (TE85L,F)	T	3.8/3.6
Q4104	1590003570	S.TR BCR183T	T	9/3.6
Q4105	1590003940	S.TR RN1105 (TE85L,F)	T	6.4/3.6
Q4200	1530003550	S.TR 2SC5193-T1	T	18.3/14
Q4201	1560000491	S.FET 2SK508-T2B-A K52	T	22.7/12.8
Q4202	1590003940	S.TR RN1105 (TE85L,F)	T	3.8/1.1
Q4204	1590003570	S.TR BCR183T	T	9/8.1
Q4205	1590003940	S.TR RN1105 (TE85L,F)	T	6.4/8.2
Q4300	1530003550	S.TR 2SC5193-T1	T	19/23
Q4301	1560000491	S.FET 2SK508-T2B-A K52	T	23.4/21.1
Q4302	1590003940	S.TR RN1105 (TE85L,F)	T	3.8/12.7
Q4304	1590003570	S.TR BCR183T	T	9/12.7
Q4305	1590003940	S.TR RN1105 (TE85L,F)	T	6.4/12.8
Q4400	1530003431	S.TR 2SC5226-4-TL-E	T	10.6/21.5
D4100	1720000261	S.VCP 1SV214 (TPH2,F)	T	24.2/7.3
D4101	1720000801	S.VCP 1SV290 (TPH3,F)	T	25.9/7.4
D4103	1750000581	S.DIO 1SV307 (TPH3,F)	T	14.2/17.2
D4200	1750000721	S.VCP HVC375BTRF-E	T	25.6/12
D4201	1720000261	S.VCP 1SV214 (TPH2,F)	T	28.3/11.6
D4203	1750000581	S.DIO 1SV307 (TPH3,F)	T	15.9/17.2
D4300	1750000721	S.VCP HVC375BTRF-E	T	26.5/19.8
D4301	1720000261	S.VCP 1SV214 (TPH2,F)	T	29.5/19.4
D4304	1750000581	S.DIO 1SV307 (TPH3,F)	T	15.7/20.5
L4100	6200010780	S.COL C2520C-1R0G-A	B	26.6/5.4
L4101	6200010780	S.COL C2520C-1R0G-A	T	28.7/4.1
L4102	6200005711	S.COL ELJRE 27NGFA	T	22.2/6.1
L4104	6200010780	S.COL C2520C-1R0G-A	B	21.2/5.9
L4105	6200010780	S.COL C2520C-1R0G-A	B	13.5/7.9
L4200	6200010780	S.COL C2520C-1R0G-A	B	28.4/15.1
L4201	6200010780	S.COL C2520C-1R0G-A	T	31.9/13.4
L4202	6200009220	S.COL LQW18AN15NG00D	T	25/15.5
L4203	6200010780	S.COL C2520C-1R0G-A	B	23.5/13.8
L4204	6200010780	S.COL C2520C-1R0G-A	B	19.1/14.6
L4205	6200010780	S.COL C2520C-1R0G-A	T	28.4/16.2
L4300	6200010780	S.COL C2520C-1R0G-A	B	28.9/22.8
L4301	6200010780	S.COL C2520C-1R0G-A	T	32.8/21.1
L4302	6200009220	S.COL LQW18AN15NG00D	T	25.9/23.4
L4303	6200010780	S.COL C2520C-1R0G-A	B	24.2/22.2
L4304	6200010780	S.COL C2520C-1R0G-A	B	19.2/23.1
L4305	6200010780	S.COL C2520C-1R0G-A	T	33.8/25.3
L4306	6200010860	S.COL C2520C-R10G-A (0.1U)	T	29.4/25.3
L4401	6200001981	S.COL NLV25T-1R0J	B	9.2/16.9
R4100	7030003440	S.RES ERJ3GEYJ 102 V (1 k)	B	31.9/5.4
R4101	7030003440	S.RES ERJ3GEYJ 102 V (1 k)	T	30.7/6.4
R4102	7030003490	S.RES ERJ3GEYJ 272 V (2.7 k)	T	18.9/3.1
R4103	7030003490	S.RES ERJ3GEYJ 272 V (2.7 k)	T	21.5/3.1
R4104	7030003490	S.RES ERJ3GEYJ 272 V (2.7 k)	T	15.9/3.1
R4105	7030003360	S.RES ERJ3GEYJ 221 V (220)	B	18.6/4.3
R4106	7030003200	S.RES ERJ3GEYJ 100 V (10)	B	10.5/6
R4108	7030003440	S.RES ERJ3GEYJ 102 V (1 k)	T	13.2/7
R4109	7030003860	S.RES ERJ3GE JPW V	B	30/4.6
R4110	7030003860	S.RES ERJ3GE JPW V	T	14.2/10.3
R4111	7030003440	S.RES ERJ3GEYJ 102 V (1 k)	T	2.6/18
R4200	7030003440	S.RES ERJ3GEYJ 102 V (1 k)	B	33.4/13.6
R4201	7030003440	S.RES ERJ3GEYJ 102 V (1 k)	T	35.6/13.4
R4202	7030003510	S.RES ERJ3GEYJ 392 V (3.9 k)	T	20.2/14.1
R4203	7030003460	S.RES ERJ3GEYJ 152 V (1.5 k)	T	18.9/17.1
R4204	7030003320	S.RES ERJ3GEYJ 101 V (100)	T	17/11.8
R4205	7030003380	S.RES ERJ3GEYJ 331 V (330)	B	25.3/11
R4206	7030003400	S.RES ERJ3GEYJ 471 V (470)	B	13.2/14.6
R4208	7030003440	S.RES ERJ3GEYJ 102 V (1 k)	B	15.2/14.4
R4209	7030003440	S.RES ERJ3GEYJ 102 V (1 k)	B	31.4/15.2
R4210	7030003860	S.RES ERJ3GE JPW V	B	16.6/12.1
R4211	7030003440	S.RES ERJ3GEYJ 102 V (1 k)	T	2.6/16.5
R4212	7030003860	S.RES ERJ3GE JPW V	T	31.1/17.1
R4300	7030003440	S.RES ERJ3GEYJ 102 V (1 k)	B	33.8/21.4
R4301	7030003440	S.RES ERJ3GEYJ 102 V (1 k)	T	35.6/23
R4302	7030003510	S.RES ERJ3GEYJ 392 V (3.9 k)	T	20.9/22.8
R4303	7030003460	S.RES ERJ3GEYJ 152 V (1.5 k)	T	19.6/25.7
R4304	7030003320	S.RES ERJ3GEYJ 101 V (100)	T	17.3/20.5
R4305	7030003380	S.RES ERJ3GEYJ 331 V (330)	B	24.9/18.8
R4306	7030003400	S.RES ERJ3GEYJ 471 V (470)	B	11.8/24.6
R4308	7030003440	S.RES ERJ3GEYJ 102 V (1 k)	B	14.2/22.1
R4309	7030003440	S.RES ERJ3GEYJ 102 V (1 k)	B	30/20.5

M.=Mounted side (T: Mounted on the Top side B: Mounted on the Bottom side) S.=Surface mount

[VCO2 BOARD]

REF NO.	ORDER NO.	DESCRIPTION	M.	H/V LOCATION
R4310	7030003320	S.RES ERJ3GEYJ 101 V (100)	B	16.4/20.4
R4311	7030003440	S.RES ERJ3GEYJ 102 V (1 k)	T	2.6/15
R4400	7030003510	S.RES ERJ3GEYJ 392 V (3.9 k)	T	12.7/22.6
R4401	7030003480	S.RES ERJ3GEYJ 222 V (2.2 k)	T	11.3/19.4
R4402	7030003360	S.RES ERJ3GEYJ 221 V (220)	T	11/24.7
R4406	7030003440	S.RES ERJ3GEYJ 102 V (1 k)	T	14.2/22.6
R4407	7030003320	S.RES ERJ3GEYJ 101 V (100)	T	7.9/22.5
R4408	7030003300	S.RES ERJ3GEYJ 680 V (68)	T	7.9/21
R4409	7030003320	S.RES ERJ3GEYJ 101 V (100)	T	2.9/21.7
C4102	4550007480	S.TAN F930J106MAABMA	B	30.2/8
C4104	4030007040	S.CER C1608 CH 1H 180J-T	T	24.2/3.8
C4105	4030006990	S.CER C1608 CH 1H 080D-T	T	25.9/3.8
C4107	4030007010	S.CER C1608 CH 1H 100D-T	T	21.5/4.3
C4108	4030007030	S.CER C1608 CH 1H 150J-T	T	20.7/6.1
C4109	4030009500	S.CER C1608 CH 1H 0R5B-T	T	18.9/4.3
C4110	4030007030	S.CER C1608 CH 1H 150J-T	T	21.2/8
C4111	4030006860	S.CER C1608 JB 1H 102K-T	T	16.6/7.5
C4112	4030009540	S.CER C1608 CH 1H 1R5B-T	T	14.8/7.7
C4113	4030007090	S.CER C1608 CH 1H 470J-T	B	10.9/7.9
C4114	4030011600	S.CER C1608 JB 1E 104K-T	B	8.3/7.9
C4115	4030017810	S.CER C1608 CH 1H 102J-T	B	9.7/7.9
C4116	4030017810	S.CER C1608 CH 1H 102J-T	B	16.7/5.1
C4117	4030017810	S.CER C1608 CH 1H 102J-T	T	1.8/3.5
C4118	4030017810	S.CER C1608 CH 1H 102J-T	T	6.5/1.6
C4119	4030017810	S.CER C1608 CH 1H 102J-T	T	13.2/3.9
C4120	4030007090	S.CER C1608 CH 1H 470J-T	B	18/6.2
C4121	4030011600	S.CER C1608 JB 1E 104K-T	B	14.6/4.3
C4201	4550007480	S.TAN F930J106MAABMA	B	33.2/17.5
C4204	4030006990	S.CER C1608 CH 1H 080D-T	T	25.7/14
C4205	4030011770	S.CER C1608 CH 1H 060B-T	T	28.4/14
C4208	4030009530	S.CER C1608 CH 1H 030B-T	T	22.4/15.2
C4209	4030009500	S.CER C1608 CH 1H 0R5B-T	T	20.9/16.4
C4210	4030009520	S.CER C1608 CH 1H 020B-T	T	23.6/10.5
C4211	4030006860	S.CER C1608 JB 1H 102K-T	T	20.4/11.1
C4212	4030009540	S.CER C1608 CH 1H 1R5B-T	T	15.8/13.3
C4213	4030007090	S.CER C1608 CH 1H 470J-T	B	15.6/17.2
C4214	4030011600	S.CER C1608 JB 1E 104K-T	B	13.2/17.2
C4215	4030017810	S.CER C1608 CH 1H 102J-T	B	22.9/9.5
C4216	4030017810	S.CER C1608 CH 1H 102J-T	B	14.4/17.2
C4217	4030017810	S.CER C1608 CH 1H 102J-T	T	6.5/6.2
C4218	4030017810	S.CER C1608 CH 1H 102J-T	T	1.8/8
C4219	4030017810	S.CER C1608 CH 1H 102J-T	B	14.2/11.9
C4220	4030007090	S.CER C1608 CH 1H 470J-T	B	24.1/9.5
C4221	4030011600	S.CER C1608 JB 1E 104K-T	B	21/10.2
C4222	4030017810	S.CER C1608 CH 1H 102J-T	T	18.3/10.5
C4303	4550007480	S.TAN F930J106MAABMA	B	32.1/22.6
C4304	4030009530	S.CER C1608 CH 1H 030B-T	T	26.8/21.9
C4305	4030009530	S.CER C1608 CH 1H 030B-T	T	29.4/21.9
C4308	4030009540	S.CER C1608 CH 1H 1R5B-T	T	23.1/23.4
C4309	4030009500	S.CER C1608 CH 1H 0R5B-T	T	21.6/24.7
C4310	4030009510	S.CER C1608 CH 1H 010B-T	T	24.6/18.7
C4311	4030006860	S.CER C1608 JB 1H 102K-T	T	21.1/19.4
C4312	4030009530	S.CER C1608 CH 1H 030B-T	T	16.5/23.3
C4313	4030007090	S.CER C1608 CH 1H 470J-T	B	16.3/24.5
C4314	4030011600	S.CER C1608 JB 1E 104K-T	B	13.9/24.5
C4315	4030017810	S.CER C1608 CH 1H 102J-T	B	15.1/24.5
C4316	4030017810	S.CER C1608 CH 1H 102J-T	B	22.5/18.3
C4317	4030017810	S.CER C1608 CH 1H 102J-T	T	1.8/12.6
C4318	4030017810	S.CER C1608 CH 1H 102J-T	T	6.5/10.8
C4319	4030017810	S.CER C1608 CH 1H 102J-T	B	13.5/20.3
C4320	4030007090	S.CER C1608 CH 1H 470J-T	B	23.7/18.3
C4321	4030011600	S.CER C1608 JB 1E 104K-T	B	21.3/18.3
C4322	4030017810	S.CER C1608 CH 1H 102J-T	T	19/20.2
C4400	4030006860	S.CER C1608 JB 1H 102K-T	B	6.4/12.8
C4401	4030017810	S.CER C1608 CH 1H 102J-T	T	8.1/18.7
C4405	4030017810	S.CER C1608 CH 1H 102J-T	T	9.1/23.7
C4407	4030006860	S.CER C1608 JB 1H 102K-T	T	13.5/20.7
C4409	4030007090	S.CER C1608 CH 1H 470J-T	T	9.3/18.7
C4410	4030011600	S.CER C1608 JB 1E 104K-T	T	10.6/16.9
J4101	6910003841	CNR IMSA-9230B-1-05Z003-PT1		
J4102	6910003861	CNR IMSA-9230B-1-07Z003-PT1		

[DOUBLER BOARD]

REF NO.	ORDER NO.	DESCRIPTION	M.	H/V LOCATION
Q2200	1530003781	S.TR 2SC5624VH-TL-E	T	29.8/16.7
Q2201	1530003781	S.TR 2SC5624VH-TL-E	T	32.3/16.6
D3000	1790001621	S.DIO 1SV308 (TPL3,F)	T	26.9/15.2
D3001	1790001621	S.DIO 1SV308 (TPL3,F)	T	25.2/16.4
D3002	1790001621	S.DIO 1SV308 (TPL3,F)	T	7.3/6.7
D3003	1790001621	S.DIO 1SV308 (TPL3,F)	T	8.1/8.4
D3004	1790001621	S.DIO 1SV308 (TPL3,F)	T	25.8/19.4
D3005	1790001621	S.DIO 1SV308 (TPL3,F)	T	8.1/9.8
D3006	1790001621	S.DIO 1SV308 (TPL3,F)	T	25.1/20.8
D3007	1790001621	S.DIO 1SV308 (TPL3,F)	T	7.3/11.7
D3008	1790001621	S.DIO 1SV308 (TPL3,F)	T	26.9/10.6
D3009	1790001621	S.DIO 1SV308 (TPL3,F)	T	9/5.9
D3010	1790001621	S.DIO 1SV308 (TPL3,F)	T	24.4/13.7
D3011	1790001621	S.DIO 1SV308 (TPL3,F)	T	10.1/9.2
D3012	1790001621	S.DIO 1SV308 (TPL3,F)	T	24.1/18.6
D3013	1790001621	S.DIO 1SV308 (TPL3,F)	T	8.9/12.7
D3014	1790001621	S.DIO 1SV308 (TPL3,F)	T	23.3/21.6
D3015	1790001621	S.DIO 1SV308 (TPL3,F)	T	7.3/14.3
L2200	6200010450	S.COL C2520C-R82G-A (0.82U)	T	35.2/15.8
L2201	6140002551	S.COL #617DB-1919=P3	T	30.8/11.9
L2202	6200011460	S.COL C2520C-10NG-A	T	4.9/20.9
L3000	6200006771	S.COL ELJRE 1N5ZFA	T	22.6/22.5
L3001	6200006781	S.COL ELJRE 1N8ZFA	T	19.4/23.4
L3002	6200005631	S.COL ELJRE 5N6ZFA	T	17.1/25.1
L3003	6200006981	S.COL ELJRE R10GFA	B	16.5/20.7
L3004	6200005611	S.COL ELJRE 3N9ZFA	T	9.2/25.9
L3050	6200006781	S.COL ELJRE 1N8ZFA	T	20.7/19
L3051	6200005591	S.COL ELJRE 2N7ZFA	T	17.5/18.2
L3052	6200005621	S.COL ELJRE 4N7ZFA	T	15.2/15.6
L3053	6200006981	S.COL ELJRE R10GFA	B	17.8/16.8
L3054	6200005611	S.COL ELJRE 3N9ZFA	T	13.4/14.9
L3100	6200005611	S.COL ELJRE 3N9ZFA	T	23.6/10
L3101	6200005601	S.COL ELJRE 3N3ZFA	T	20.6/12.1
L3102	6200005621	S.COL ELJRE 4N7ZFA	T	15.4/9.2
L3103	6200006981	S.COL ELJRE R10GFA	B	16.6/13.8
L3104	6200005621	S.COL ELJRE 4N7ZFA	T	12.2/9.5
L3150	6200005591	S.COL ELJRE 2N7ZFA	T	23.6/7.2
L3151	6200005621	S.COL ELJRE 4N7ZFA	T	20.5/5.9
L3152	6200005641	S.COL ELJRE 6N8ZFA	T	15/3.2
L3153	6200006981	S.COL ELJRE R10GFA	B	17.2/6.7
L3154	6200005641	S.COL ELJRE 6N8ZFA	T	12.1/3.6
R2202	7030003200	S.RES ERJ3GEYJ 100 V (10)	B	34.2/15
R2203	7030003400	S.RES ERJ3GEYJ 471 V (470)	B	31.5/12.1
R2204	7030003480	S.RES ERJ3GEYJ 222 V (2.2 k)	B	28.9/12.1
R2205	7030003400	S.RES ERJ3GEYJ 471 V (470)	T	29.1/19.3
R2206	7030003340	S.RES ERJ3GEYJ 151 V (150)	T	31/19
R2207	7030003270	S.RES ERJ3GEYJ 390 V (39)	T	32.8/19.7
R2208	7030003340	S.RES ERJ3GEYJ 151 V (150)	T	31/20.2
R2213	7030003860	S.RES ERJ3GE JPW V	T	31.1/21.4
R2216	7030000010	S.RES MCR10EZHZ JPW (000)	B	8.5/24.7
R2217	7030008240	S.RES ERJ12Y0R00U	B	13.3/24.8
R2218	7030008240	S.RES ERJ12Y0R00U	B	27/24.8
R2220	7030000010	S.RES MCR10EZHZ JPW (000)	B	35.6/22
R2221	7030000010	S.RES MCR10EZHZ JPW (000)	B	35.6/18.1
R3000	7030003440	S.RES ERJ3GEYJ 102 V (1 k)	T	26.6/23
R3001	7030003440	S.RES ERJ3GEYJ 102 V (1 k)	B	22.5/21.9
R3002	7030003440	S.RES ERJ3GEYJ 102 V (1 k)	B	11.5/20.0
R3003	7030000010	S.RES MCR10EZHZ JPW (000)	B	8.5/20
R3004	7030000010	S.RES MCR10EZHZ JPW (000)	B	14.2/20.2
R3005	7030000010	S.RES MCR10EZHZ JPW (000)	B	18.7/20.6
R3050	7030003440	S.RES ERJ3GEYJ 102 V (1 k)	B	23.4/17.4
R3051	7030003440	S.RES ERJ3GEYJ 102 V (1 k)	B	10.2/16.5
R3052	7030000010	S.RES MCR10EZHZ JPW (000)	B	8/17
R3053	7030000010	S.RES MCR10EZHZ JPW (000)	B	15.6/16.6
R3054	7030000010	S.RES MCR10EZHZ JPW (000)	B	21.1/16.6
R3100	7030003440	S.RES ERJ3GEYJ 102 V (1 k)	B	24.1/13.7
R3101	7030003440	S.RES ERJ3GEYJ 102 V (1 k)	B	10.9/12.2
R3102	7030000010	S.RES MCR10EZHZ JPW (000)	B	8.6/12.9
R3103	7030000010	S.RES MCR10EZHZ JPW (000)	B	13.7/13.8
R3104	7030000010	S.RES MCR10EZHZ JPW (000)	B	19.3/13.4
R3150	7030003440	S.RES ERJ3GEYJ 102 V (1 k)	B	23.5/6.9
R3151	7030003440	S.RES ERJ3GEYJ 102 V (1 k)	B	10.4/6
R3153	7030000010	S.RES MCR10EZHZ JPW (000)	B	8.2/6.8
R3154	7030000010	S.RES MCR10EZHZ JPW (000)	B	20/6.7
R3155	7030000010	S.RES MCR10EZHZ JPW (000)	B	14.5/6.7
C2201	4030017810	S.CER C1608 CH 1H 102J-T	B	31.2/10.9
C2202	4030017810	S.CER C1608 CH 1H 102J-T	T	32.3/7.2
C2203	4030017810	S.CER C1608 CH 1H 102J-T	T	29.3/7.2
C2204	4030017810	S.CER C1608 CH 1H 102J-T	T	34.7/18.8
C2205	4030017810	S.CER C1608 CH 1H 102J-T	T	28.5/21.3
C2211	4030007090	S.CER C1608 CH 1H 470J-T	T	30.5/7.2
C2212	4030007090	S.CER C1608 CH 1H 470J-T	B	31.2/9.6
C3000	4030009500	S.CER C1608 CH 1H 0R5B-T	T	23.3/25.2
C3002	4030017810	S.CER C1608 CH 1H 102J-T	B	20.2/21.4
C3003	4030009510	S.CER C1608 CH 1H 010B-T	T	21.8/25.3
C3004	4030009570	S.CER C1608 CH 1H 0R3B-T	T	20.6/22.5
C3005	4030009560	S.CER C1608 CH 1H R75B-T	T	20.6/25.1
C3006	4030009510	S.CER C1608 CH 1H 010B-T	T	18.2/22.5
C3007	4030009510	S.CER C1608 CH 1H 010B-T	T	15.8/22.5
C3008	4030009570	S.CER C1608 CH 1H 0R3B-T	T	14.6/22.5
C3009	4030017810	S.CER C1608 CH 1H 102J-T	B	10.7/21.9
C3010	4030009530	S.CER C1608 CH 1H 030B-T	T	11/25.1
C3018	4030009570	S.CER C1608 CH 1H 0R3B-T	T	13.4/22.6
C3020	4030009560	S.CER C1608 CH 1H R75B-T	T	12.2/22.5
C3050	4030009540	S.CER C1608 CH 1H 1R5B-T	T	22.5/17
C3051	4030009510	S.CER C1608 CH 1H 010B-T	T	20.7/17.8

M.=Mounted side (T: Mounted on the Top side B: Mounted on the Bottom side) S.=Surface mount

[DOUBLER BOARD]

REF NO.	ORDER NO.	DESCRIPTION	M.	H/V LOCATION
C3052	4030017810	S.CER C1608 CH 1H 102J-T	B	25.3/16.6
C3053	4030009540	S.CER C1608 CH 1H 1R5B-T	T	19.9/15.9
C3054	4030009570	S.CER C1608 CH 1H 0R3B-T	T	18.7/18.2
C3055	4030009540	S.CER C1608 CH 1H 1R5B-T	T	18.7/15.6
C3056	4030009510	S.CER C1608 CH 1H 010B-T	T	16.3/18.2
C3057	4030009530	S.CER C1608 CH 1H 030B-T	T	15.1/18.2
C3058	4030009560	S.CER C1608 CH 1H R75B-T	T	13.9/18.2
C3059	4030017810	S.CER C1608 CH 1H 102J-T	B	11.4/16.5
C3060	4030009910	S.CER C1608 CH 1H 040B-T	T	11.5/16.7
C3061	4030009510	S.CER C1608 CH 1H 010B-T	T	10.3/16.7
C3064	4030009510	S.CER C1608 CH 1H 010B-T	T	21.1/15.9
C3069	4030009910	S.CER C1608 CH 1H 040B-T	T	12.7/16.7
C3100	4030009540	S.CER C1608 CH 1H 1R5B-T	T	23.6/8.7
C3101	4030009560	S.CER C1608 CH 1H R75B-T	T	23.6/11.2
C3102	4030017810	S.CER C1608 CH 1H 102J-T	B	22.2/12.6
C3103	4030009550	S.CER C1608 CH 1H 2R5B-T	T	21.8/9.5
C3104	4030009510	S.CER C1608 CH 1H 010B-T	T	21.8/12.1
C3105	4030009520	S.CER C1608 CH 1H 020B-T	T	19.3/9.8
C3106	4030009520	S.CER C1608 CH 1H 020B-T	T	18.6/11.7
C3107	4030009910	S.CER C1608 CH 1H 040B-T	T	16.7/9.8
C3108	4030009510	S.CER C1608 CH 1H 010B-T	T	16/11.7
C3109	4030017810	S.CER C1608 CH 1H 102J-T	B	12.2/12.2
C3110	4030009920	S.CER C1608 CH 1H 050B-T	T	14.1/10.6
C3111	4030009540	S.CER C1608 CH 1H 1R5B-T	T	11.7/11.4
C3112	4030009350	S.CER C1608 CH 1H 3R5B-T	T	17.9/9.8
C3150	4030009520	S.CER C1608 CH 1H 020B-T	T	26.6/6.5
C3151	4030009540	S.CER C1608 CH 1H 1R5B-T	T	23.6/6
C3152	4030017810	S.CER C1608 CH 1H 102J-T	B	21.6/6.1
C3153	4030009530	S.CER C1608 CH 1H 030B-T	T	20.5/3.3
C3154	4030009500	S.CER C1608 CH 1H 0R5B-T	T	21.7/5.9
C3155	4030009520	S.CER C1608 CH 1H 020B-T	T	19.3/3.5
C3156	4030009550	S.CER C1608 CH 1H 2R5B-T	T	18.5/6.6
C3158	4030009500	S.CER C1608 CH 1H 0R5B-T	T	15.9/6.6
C3159	4030017810	S.CER C1608 CH 1H 102J-T	B	11.6/6
C3160	4030007010	S.CER C1608 CH 1H 100D-T	T	12.9/5.8
C3161	4030009540	S.CER C1608 CH 1H 1R5B-T	T	11.1/5.9
C3162	4030009910	S.CER C1608 CH 1H 040B-T	T	16.7/3.2
C3163	4030009500	S.CER C1608 CH 1H 0R5B-T	T	15.9/5.4
C3164	4030009500	S.CER C1608 CH 1H 0R5B-T	T	24.3/4.1
J2201	6910003821	CNR IMSA-9230B-1-03Z003-PT1		
J2202	6910003871	CNR IMSA-9230B-1-08Z003-PT1		

[FIL1 BOARD]

REF NO.	ORDER NO.	DESCRIPTION	M.	H/V LOCATION
D2751	1750000581	S.DIO 1SV307 (TPH3,F)	T	7.9/8.8
D2800	1750000581	S.DIO 1SV307 (TPH3,F)	T	21.9/7.9
D2850	1750000581	S.DIO 1SV307 (TPH3,F)	T	20.9/10.4
D2851	1750000581	S.DIO 1SV307 (TPH3,F)	T	21.9/12.8
D2852	1750000581	S.DIO 1SV307 (TPH3,F)	T	8.9/11.2
D2853	1750000581	S.DIO 1SV307 (TPH3,F)	T	7.9/13.8
L2800	6200005621	S.COL ELJRE 4N2ZFA	T	18.7/9
L2801	6200005641	S.COL ELJRE 6N8ZFA	T	15.4/1.6
L2802	6200005681	S.COL ELJRE 15NGFA	T	13.1/3.8
L2803	6200006981	S.COL ELJRE R10GFA	B	15.7/4.7
L2804	6200005661	S.COL ELJRE 10NGFA	T	7.3/3.1
L2850	6200005621	S.COL ELJRE 4N2ZFA	T	18.8/7
L2851	6200005631	S.COL ELJRE 5N6ZFA	T	15.5/7.7
L2852	6200005671	S.COL ELJRE 12NGFA	T	14.6/9.8
L2853	6200006981	S.COL ELJRE R10GFA	B	16.1/9.3
L2854	6200005651	S.COL ELJRE 8N2ZFA	T	12.6/10.6
L2900	6200005621	S.COL ELJRE 4N2ZFA	T	18.8/13.1
L2901	6200005631	S.COL ELJRE 5N6ZFA	T	15.4/13.8
L2902	6200005671	S.COL ELJRE 12NGFA	T	13.5/15.8
L2903	6200006981	S.COL ELJRE R10GFA	B	15.1/13.3
L2904	6200005651	S.COL ELJRE 8N2ZFA	T	11.6/16.5
R2150	7030003860	S.RES ERJ3GE JPW V	T	26.2/11.5
R2152	7030003860	S.RES ERJ3GE JPW V	T	25.4/9.6
R2800	7030003440	S.RES ERJ3GEYJ 102 V (1 k)	B	21.2/4.7
R2801	7030003440	S.RES ERJ3GEYJ 102 V (1 k)	B	10.5/4.7
R2851	7030003440	S.RES ERJ3GEYJ 102 V (1 k)	B	18.7/8.2
R2852	7030003440	S.RES ERJ3GEYJ 102 V (1 k)	B	11.8/10.1
R2900	7030003440	S.RES ERJ3GEYJ 102 V (1 k)	B	18.9/13.3
R2901	7030003440	S.RES ERJ3GEYJ 102 V (1 k)	B	10.7/14.8
C2800	4030009520	S.CER C1608 CH 1H 020B-T	B	22.9/6.6
C2801	4030009530	S.CER C1608 CH 1H 030B-T	T	18.7/2.2
C2802	4030017810	S.CER C1608 CH 1H 102J-T	B	18.5/4.7
C2803	4030009350	S.CER C1608 CH 1H 3R5B-T	T	18/4.2
C2804	4030009510	S.CER C1608 CH 1H 010B-T	T	16.7/1.6
C2805	4030009550	S.CER C1608 CH 1H 2R5B-T	T	15.4/4.2
C2806	4030009910	S.CER C1608 CH 1H 040B-T	T	14/1.6
C2807	4030009910	S.CER C1608 CH 1H 040B-T	T	12.7/1.6
C2808	4030009520	S.CER C1608 CH 1H 020B-T	T	11.4/1.6
C2809	4030017810	S.CER C1608 CH 1H 102J-T	B	13.1/4.7
C2810	4030007030	S.CER C1608 CH 1H 150J-T	T	9.3/2.4
C2811	4030009530	S.CER C1608 CH 1H 030B-T	T	9.9/3.7
C2850	4030009520	S.CER C1608 CH 1H 020B-T	B	21.3/9.4
C2851	4030009520	S.CER C1608 CH 1H 020B-T	T	18.8/8.2
C2852	4030017810	S.CER C1608 CH 1H 102J-T	B	18/10.1
C2853	4030009910	S.CER C1608 CH 1H 040B-T	T	18/10.3
C2854	4030009510	S.CER C1608 CH 1H 010B-T	T	16.8/7.7
C2855	4030009530	S.CER C1608 CH 1H 030B-T	T	16.8/10.3
C2856	4030009530	S.CER C1608 CH 1H 030B-T	T	13.4/7
C2857	4030009350	S.CER C1608 CH 1H 3R5B-T	T	13.4/8.6
C2858	4030009540	S.CER C1608 CH 1H 1R5B-T	T	10.8/7
C2859	4030017810	S.CER C1608 CH 1H 102J-T	B	14.2/10.1
C2860	4030007020	S.CER C1608 CH 1H 120J-T	T	11.4/8.9
C2861	4030009550	S.CER C1608 CH 1H 2R5B-T	T	10.1/8.9
C2900	4030009540	S.CER C1608 CH 1H 1R5B-T	B	21.5/13.3
C2901	4030009540	S.CER C1608 CH 1H 1R5B-T	T	18.8/14.4
C2902	4030017810	S.CER C1608 CH 1H 102J-T	B	17.1/14
C2903	4030009550	S.CER C1608 CH 1H 2R5B-T	T	18.1/16.5
C2904	4030009510	S.CER C1608 CH 1H 010B-T	T	16.7/13.8
C2905	4030009540	S.CER C1608 CH 1H 1R5B-T	T	15.4/16.4
C2906	4030009520	S.CER C1608 CH 1H 020B-T	T	14.2/13.8
C2907	4030009350	S.CER C1608 CH 1H 3R5B-T	T	12.8/13.8
C2908	4030009540	S.CER C1608 CH 1H 1R5B-T	T	10.9/13.1
C2909	4030017810	S.CER C1608 CH 1H 102J-T	B	13/14
C2910	4030007010	S.CER C1608 CH 1H 100D-T	T	10.9/14.6
C2911	4030009550	S.CER C1608 CH 1H 2R5B-T	T	9.4/16
J2101	6910003821	CNR IMSA-9230B-1-03Z003-PT1		
J2102	6910003851	CNR IMSA-9230B-1-06Z003-PT1		

M.=Mounted side (T: Mounted on the Top side B: Mounted on the Bottom side) S.=Surface mount

[FIL2 BOARD]

REF NO.	ORDER NO.	DESCRIPTION	M.	H/V LOCATION
IC4450	1110006870	S.IC uPC2709TB-E3	T	7/16.1
D4500	1750000581	S.DIO 1SV307 (TPH3,F)	T	8.7/10
D4501	1750000581	S.DIO 1SV307 (TPH3,F)	T	8.7/6.7
D4502	1750000581	S.DIO 1SV307 (TPH3,F)	T	20.3/11.2
D4503	1750000581	S.DIO 1SV307 (TPH3,F)	T	20.3/7.8
L4452	6200010670	S.COL C2520C-R18G-A (0.18U)	T	6.3/13.1
L4500	6200005711	S.COL ELJRE 27NGFA	T	10.9/13.2
L4501	6200005701	S.COL ELJRE 22NGFA	T	13.1/11.3
L4502	6200006981	S.COL ELJRE R10GFA	B	14.9/12.1
L4503	6200005741	S.COL ELJRE 47NGFA	T	16/13.9
L4504	6200006991	S.COL ELJRE 56NGFA	T	19.5/14.6
L4505	6200005651	S.COL ELJRE 8N2ZFA	T	10.9/5.6
L4551	6200005641	S.COL ELJRE 6N8ZFA	T	13.1/7.6
L4552	6200006981	S.COL ELJRE R10GFA	B	14.7/6.8
L4553	6200005671	S.COL ELJRE 12NGFA	T	16/5
L4554	6200005681	S.COL ELJRE 15NGFA	T	19.5/4.4
R4451	7030003340	S.RES ERJ3GEYJ 151 V (150)	T	3.2/5.2
R4452	7030003260	S.RES ERJ3GEYJ 330 V (33)	T	2/6.7
R4454	7030003340	S.RES ERJ3GEYJ 151 V (150)	T	3.2/8.2
R4455	7030003200	S.RES ERJ3GEYJ 100 V (10)	B	4.3/13.2
R4500	7030003460	S.RES ERJ3GEYJ 152 V (1.5 k)	T	7.1/7.1
R4501	7030003440	S.RES ERJ3GEYJ 102 V (1 k)	B	11/12.1
R4502	7030003440	S.RES ERJ3GEYJ 102 V (1 k)	B	19.5/12.3
R4503	7030003440	S.RES ERJ3GEYJ 102 V (1 k)	T	21.9/10.9
R4550	7030003440	S.RES ERJ3GEYJ 102 V (1 k)	B	10.2/6.4
R4551	7030003440	S.RES ERJ3GEYJ 102 V (1 k)	B	19.5/6.8
C4458	4030017810	S.CER C1608 CH 1H 102J-T	T	2/9.5
C4459	4030017810	S.CER C1608 CH 1H 102J-T	T	5.1/15.7
C4460	4030017810	S.CER C1608 CH 1H 102J-T	B	6.1/14.7
C4500	4030017810	S.CER C1608 CH 1H 102J-T	T	7.1/9.7
C4501	4030007030	S.CER C1608 CH 1H 150J-T	T	10.9/14.6
C4502	4030009520	S.CER C1608 CH 1H 020B-T	T	10.2/11.3
C4503	4030007050	S.CER C1608 CH 1H 220J-T	T	13.1/13.9
C4504	4030017810	S.CER C1608 CH 1H 102J-T	B	13/12.9
C4505	4030011770	S.CER C1608 CH 1H 060B-T	T	11.7/11.3
C4506	4030007020	S.CER C1608 CH 1H 120J-T	T	14.6/13.9
C4507	4030007020	S.CER C1608 CH 1H 120J-T	T	14.6/11.3
C4508	4030017810	S.CER C1608 CH 1H 102J-T	B	17.1/12.9
C4509	4030007130	S.CER C1608 CH 1H 101J-T	T	16/11.3
C4510	4030007000	S.CER C1608 CH 1H 090D-T	T	18/10.6
C4511	4030007080	S.CER C1608 CH 1H 390J-T	T	18/13.3
C4512	4030007030	S.CER C1608 CH 1H 150J-T	T	18/12.1
C4514	4030017810	S.CER C1608 CH 1H 102J-T	T	21.9/8.1
C4550	4030009910	S.CER C1608 CH 1H 040B-T	T	7.9/4.5
C4551	4030009500	S.CER C1608 CH 1H 0R5B-T	T	10.2/7.6
C4552	4030011770	S.CER C1608 CH 1H 060B-T	T	13.1/5
C4553	4030017810	S.CER C1608 CH 1H 102J-T	B	12.2/6.1
C4554	4030009540	S.CER C1608 CH 1H 1R5B-T	T	11.7/7.6
C4555	4030009910	S.CER C1608 CH 1H 040B-T	T	14.6/5
C4556	4030009920	S.CER C1608 CH 1H 050B-T	T	14.6/7.6
C4557	4030017810	S.CER C1608 CH 1H 102J-T	B	17.1/6.1
C4558	4030007070	S.CER C1608 CH 1H 330J-T	T	16/7.6
C4559	4030009550	S.CER C1608 CH 1H 2R5B-T	T	18/8.3
C4560	4030007010	S.CER C1608 CH 1H 100D-T	T	18/5.6
C4561	4030009350	S.CER C1608 CH 1H 3R5B-T	T	18/6.9
J4451	6910003841	CNR IMSA-9230B-1-05Z003-PT1		
J4452	6910003841	CNR IMSA-9230B-1-05Z003-PT1		

[MIX1 UNIT]

REF NO.	ORDER NO.	DESCRIPTION	M.	H/V LOCATION
IC1	1130012720	S.IC CD74HC4094PWR	T	12.1/8.1
IC101	1110006600	S.IC MGA-82563-TR1G	T	29.6/13.2
IC102	1110006970	S.IC MAALSS0038TR	T	41.7/13.2
IC103	1110007060	S.IC PC3223TB-E3	T	23.1/7.9
IC201	1190002110	S.IC NJG1519KC1-TE3-#ZZZB	T	43/26
IC202	1190002110	S.IC NJG1519KC1-TE3-#ZZZB	T	39/46
IC301	1110007050	S.IC SYM-30DHW+ <MRF>	T	20.5/46.3
L101	6200002611	S.COL NLV25T-R47J	T	32.4/6.8
L102	6200010940	S.COL C2520C-39NG-A	T	32.7/12.6
L103	6200002611	S.COL NLV25T-R47J	T	43.5/7.5
L104	6200010940	S.COL C2520C-39NG-A	T	45.3/12.6
L105	6200005681	S.COL ELJRE 15NGFA	T	23.1/5.7
L106	6200005011	S.COL NLV25T-100J	B	21.4/6.4
L209	6200005631	S.COL ELJRE 6N2ZFA	T	33/27.5
L210	6200005641	S.COL ELJRE 6N8ZFA	T	32.3/31.9
L211	6200005591	S.COL ELJRE 2N7ZFA	T	39.7/32
L212	6200005601	S.COL ELJRE 3N3ZFA	T	38.9/38.8
L213	6200006771	S.COL ELJRE 1N5ZFA	T	45.3/31.3
L214	6200006771	S.COL ELJRE 1N5ZFA	T	46.1/38
L215	6200005601	S.COL ELJRE 3N3ZFA	T	33.8/24
L301	6200010630	S.COL LQW18AN8N2D00D [FRA], [AUS], [CHN]	T	33.9/55.1
L302	6200010700	S.COL LQW18AN12NG00D except [FRA], [AUS], [CHN]	T	33.9/55.1
L302	6200010140	S.COL LQW18AN3N9C00D [FRA], [AUS], [CHN] only	T	33.9/56.6
R1	7030003200	S.RES ERJ3GEYJ 100 V (10)	T	8.6/6.2
R2	7030008240	S.RES ERJ12Y0R00U	B	3.5/28.4
R3	7030008240	S.RES ERJ12Y0R00U	B	34.4/4.8
R4	7030008240	S.RES ERJ12Y0R00U	B	3.5/21.5
R5	7030003860	S.RES ERJ3GE JPW V	B	6.8/7.6
R6	7030003860	S.RES ERJ3GE JPW V	B	7.4/15.9
R7	7030003860	S.RES ERJ3GE JPW V	B	8.8/7.6
R8	7030003860	S.RES ERJ3GE JPW V	B	9.8/15.9
R9	7030003860	S.RES ERJ3GE JPW V	B	10.8/7.6
R10	7030003860	S.RES ERJ3GE JPW V	B	12.2/15.9
R11	7030003860	S.RES ERJ3GE JPW V	B	13.6/7.6
R12	7030003360	S.RES ERJ3GEYJ 221 V (220)	B	6.8/5
R13	7030003360	S.RES ERJ3GEYJ 221 V (220)	B	8.6/17
R14	7030003360	S.RES ERJ3GEYJ 221 V (220)	B	8/5
R15	7030000010	S.RES MCR10EZJH JPW (000)	B	27.5/3.6
R101	7030003250	S.RES ERJ3GEYJ 270 V (27)	T	27.6/9
R102	7030003360	S.RES ERJ3GEYJ 221 V (220)	T	28.3/7
R103	7030003360	S.RES ERJ3GEYJ 221 V (220)	T	29.5/11
R104	7030007860	S.RES ERJ3GEYJ 8R2V (8.2)	T	37.3/9.5
R105	7030003410	S.RES ERJ3GEYJ 561 V (560)	T	36.5/7.5
R106	7030003410	S.RES ERJ3GEYJ 561 V (560)	T	38/7.5
R107	7030007860	S.RES ERJ3GEYJ 8R2V (8.2)	T	45.3/19.5
R108	7030003410	S.RES ERJ3GEYJ 561 V (560)	T	47.2/18.7
R109	7030003410	S.RES ERJ3GEYJ 561 V (560)	T	47.2/20.2
R110	7030008240	S.RES ERJ12Y0R00U	B	39.7/20.5
R111	7030003370	S.RES ERJ3GEYJ 271 V (270)	T	20/13.8
R112	7030003370	S.RES ERJ3GEYJ 271 V (270)	T	20/12.3
R113	7030003230	S.RES ERJ3GEYJ 180 V (18)	T	21.8/13
R201	7030003440	S.RES ERJ3GEYJ 102 V (1 k)	B	39.7/24.7
R202	7030003440	S.RES ERJ3GEYJ 102 V (1 k)	B	41.5/24.7
R203	7030003440	S.RES ERJ3GEYJ 102 V (1 k)	B	46.4/24.7
R204	7030003440	S.RES ERJ3GEYJ 102 V (1 k)	B	44.6/24.7
R219	7030003440	S.RES ERJ3GEYJ 102 V (1 k)	B	37.5/44.6
R220	7030003440	S.RES ERJ3GEYJ 102 V (1 k)	B	37.5/42.7
R221	7030003440	S.RES ERJ3GEYJ 102 V (1 k)	B	37.5/47.4
R222	7030003440	S.RES ERJ3GEYJ 102 V (1 k)	B	37.5/49.2
R301	7030004030	S.RES ERJ3GEYJ 5R6 V (5.6)	T	25.1/55.1
R302	7030003430	S.RES ERJ3GEYJ 821 V (820)	T	22.8/55.8
R303	7030003430	S.RES ERJ3GEYJ 821 V (820)	T	27.3/55.9
R304	7030003280	S.RES ERJ3GEYJ 470 V (47) [FRA], [AUS], [CHN]	T	29.3/56.6
C1	4030007010	S.CER C1608 CH 1H 100D-T	B	12.2/18.5
C2	4030007010	S.CER C1608 CH 1H 100D-T	B	13.6/5
C3	4030007010	S.CER C1608 CH 1H 100D-T	B	11.3/5.7
C4	4030007010	S.CER C1608 CH 1H 100D-T	B	9.8/18.5
C5	4030007010	S.CER C1608 CH 1H 100D-T	B	7.4/18.5
C6	4030007010	S.CER C1608 CH 1H 100D-T	B	9.2/5
C7	4030007010	S.CER C1608 CH 1H 100D-T	B	5.6/5
C8	4030011600	S.CER C1608 JB 1E 104K-T	T	8.6/8.9
C10	4030011340	S.CER C1608 CH 1H 471J-T	B	14.9/5
C11	4030011340	S.CER C1608 CH 1H 471J-T	B	13.4/19.6
C12	4030011340	S.CER C1608 CH 1H 471J-T	B	11.3/4.5
C13	4030011340	S.CER C1608 CH 1H 471J-T	B	11/18.5
C101	4030007010	S.CER C1608 CH 1H 100D-T	T	26.1/9
C102	4030006860	S.CER C1608 JB 1H 102K-T	T	26.1/11.8
C103	4030007130	S.CER C1608 CH 1H 101J-T	T	27.6/11.8
C104	4030017810	S.CER C1608 CH 1H 102J-T	T	32/8.8
C105	4030007130	S.CER C1608 CH 1H 101J-T	T	32/10
C106	4030007130	S.CER C1608 CH 1H 101J-T	T	35.8/14
C107	4030006860	S.CER C1608 JB 1H 102K-T	T	35.8/12.5
C108	4030007010	S.CER C1608 CH 1H 100D-T	T	37.3/11
C109	4030006860	S.CER C1608 JB 1H 102K-T	T	38.8/12.5
C110	4030007130	S.CER C1608 CH 1H 101J-T	T	38.8/14
C111	4030017810	S.CER C1608 CH 1H 102J-T	T	42.7/9.4
C112	4030007130	S.CER C1608 CH 1H 101J-T	T	42.7/10.6
C113	4030007130	S.CER C1608 CH 1H 101J-T	T	40.9/19
C114	4030006860	S.CER C1608 JB 1H 102K-T	T	42.4/19
C115	4030007010	S.CER C1608 CH 1H 100D-T	T	43.9/19.7
C116	4030007010	S.CER C1608 CH 1H 100D-T	T	23.1/13
C117	4030007010	S.CER C1608 CH 1H 100D-T	T	21.5/9.9
C118	4030006860	S.CER C1608 JB 1H 102K-T	T	21.5/11.1
C119	4030006900	S.CER C1608 JB 1H 103K-T	T	19.9/7.1

M.=Mounted side (T: Mounted on the Top side B: Mounted on the Bottom side) S.=Surface mount

[MIX1 UNIT]

REF NO.	ORDER NO.	DESCRIPTION	M.	H/V LOCATION
C120	4030007130	S.CER C1608 CH 1H 101J-T	T	21.2/7.1
C121	4030006860	S.CER C1608 JB 1H 102K-T	T	25.7/7
C122	4030007130	S.CER C1608 CH 1H 101J-T	T	25.7/5.7
C123	4030009550	S.CER C1608 CH 1H 2R5B-T	T	35.3/5.7
C124	4030009550	S.CER C1608 CH 1H 2R5B-T	T	30.3/4.4
C125	4030009550	S.CER C1608 CH 1H 2R5B-T	T	46/6
C126	4030009550	S.CER C1608 CH 1H 2R5B-T	T	41.2/5.1
C127	4030009920	S.CER C1608 CH 1H 050B-T	B	21.4/8.3
C128	4030009920	S.CER C1608 CH 1H 050B-T	B	19.1/6.2
C202	4030007100	S.CER C1608 CH 1H 560J-T	B	46.4/27.4
C203	4030007100	S.CER C1608 CH 1H 560J-T	B	44.6/27.4
C204	4030007100	S.CER C1608 CH 1H 560J-T	B	41.5/27.4
C205	4030007100	S.CER C1608 CH 1H 560J-T	B	39.7/27.4
C230	4030011340	S.CER C1608 CH 1H 471J-T	T	39.7/24.7
C231	4030009520	S.CER C1608 CH 1H 020B-T	T	33.8/25.5
C232	4030009510	S.CER C1608 CH 1H 010B-T	T	31.5/27.5
C233	4030009520	S.CER C1608 CH 1H 020B-T	T	32.3/29.4
C235	4030009500	S.CER C1608 CH 1H 0R5B-T	T	32.3/33.3
C236	4030009510	S.CER C1608 CH 1H 010B-T	T	33.8/34.5
C237	4030011340	S.CER C1608 CH 1H 471J-T	T	33.3/36.7
C238	4030007170	S.CER C1608 CH 1H 221J-T	T	39.7/29
C239	4030009520	S.CER C1608 CH 1H 020B-T	T	37.4/29.8
C240	4030009500	S.CER C1608 CH 1H 0R5B-T	T	38.2/32
C241	4030009550	S.CER C1608 CH 1H 2R5B-T	T	38.9/35.8
C243	4030009570	S.CER C1608 CH 1H 0R3B-T	T	38.9/37.3
C244	4030009540	S.CER C1608 CH 1H 1R5B-T	T	37.4/40.3
C245	4030007170	S.CER C1608 CH 1H 221J-T	T	39.7/41
C246	4030007100	S.CER C1608 CH 1H 560J-T	T	46.1/29
C247	4030009510	S.CER C1608 CH 1H 010B-T	T	43.8/29.8
C249	4030009510	S.CER C1608 CH 1H 010B-T	T	45.3/35.8
C250	4030009500	S.CER C1608 CH 1H 0R5B-T	T	45.3/34.3
C252	4030009510	S.CER C1608 CH 1H 010B-T	T	43.8/40.3
C253	4030007100	S.CER C1608 CH 1H 560J-T	T	46.1/41
C259	4030007100	S.CER C1608 CH 1H 560J-T	B	40.1/44.6
C260	4030007100	S.CER C1608 CH 1H 560J-T	B	40.1/42.7
C261	4030007100	S.CER C1608 CH 1H 560J-T	B	40.1/49.2
C262	4030007100	S.CER C1608 CH 1H 560J-T	B	40.1/47.4
C263	4030009510	S.CER C1608 CH 1H 010B-T	T	37.9/25.7
C264	4030009520	S.CER C1608 CH 1H 020B-T	T	33.8/22.5
C265	4030007130	S.CER C1608 CH 1H 101J-T	T	45.3/22.2
C266	4030006860	S.CER C1608 JB 1H 102K-T	T	46.5/22.2
C306	4030006860	S.CER C1608 JB 1H 102K-T	T	28.8/47.4
C307	4030007130	S.CER C1608 CH 1H 101J-T	T	30/47.4
C310	4030009530	S.CER C1608 CH 1H 030B-T except [FRA], [AUS], [CHN]	T	31.6/55.9
C312	4030009540	S.CER C1608 CH 1H 1R5B-T [FRA], [AUS], [CHN]	T	31.6/55.9
C312	4030009350	S.CER C1608 CH 1H 3R5B-T [FRA], [AUS], [CHN]	T	36.1/55.9
C312	4030009530	S.CER C1608 CH 1H 030B-T except [FRA], [AUS], [CHN]	T	36.1/55.9
J1	6510019971	S.CNR 52808-1071	B	10.3/11.7
J101	6510023480	S.CNR AYU1-1P-02676-120-TF	B	22.8/11.8
J301	6510023480	S.CNR AYU1-1P-02676-120-TF	B	7.7/48.9
J302	6510007020	CNR TMP-J01X-V6	B	
W1	8900015660	CBL OPC-1596		
W2	8900015780	CBL OPC-1634		
EP11	6910015970	S.BEA MMZ1608B 301CT-AS	B	11/15.9
EP12	6910015970	S.BEA MMZ1608B 301CT-AS	B	11.3/3.3
EP13	6910015970	S.BEA MMZ1608B 301CT-AS	B	16.3/5
EP14	6910015970	S.BEA MMZ1608B 301CT-AS	B	13.4/17
EP101	6910015970	S.BEA MMZ1608B 301CT-AS	T	33.8/4.5
EP102	6910015970	S.BEA MMZ1608B 301CT-AS	T	44.5/4.8
EP103	6910015970	S.BEA MMZ1608B 301CT-AS	B	18.3/4.3
EP104	6910015970	S.BEA MMZ1608B 301CT-AS	B	30.5/4.2
EP105	6910015970	S.BEA MMZ1608B 301CT-AS	B	37.4/4.9

[MIX2 UNIT]

REF NO.	ORDER NO.	DESCRIPTION	M.	H/V LOCATION
IC21	1190002051	S.IC SPM5001-TL-E	T	37.8/37.2
IC101	1110006870	S.IC PC2709TB-E3	T	8.4/20.7
D101	1790001250	S.DIO MA2S111-(TX) [EUR], [UK] only	T	9.1/14.7
D102	1790001250	S.DIO MA2S111-(TX) [EUR], [UK] only	T	6.6/14.7
D121	1790001621	S.DIO 1SV308 (TPL3,F)	T	8.6/42.1
D122	1790001621	S.DIO 1SV308 (TPL3,F)	T	18.1/47.2
D141	1790001621	S.DIO 1SV308 (TPL3,F)	T	9.4/39.9
D142	1790001621	S.DIO 1SV308 (TPL3,F)	T	18.1/39.9
D161	1790001621	S.DIO 1SV308 (TPL3,F)	T	9.4/31.1
D162	1790001621	S.DIO 1SV308 (TPL3,F)	T	17.9/32.6
L1	6200010700	S.COL LQW18AN12NG00D	T	43.5/41.6
L2	6200010700	S.COL LQW18AN12NG00D	T	44.2/46.9
L3	6200010700	S.COL LQW18AN12NG00D	T	43.5/37
L21	6140004610	S.COL LR-520	T	33.8/47.4
L22	6130002961	S.COL #617DB-1327=P3	T	31.2/37.3
L23	6130002961	S.COL #617DB-1327=P3	T	36.8/29.9
L41	6200011050	S.COL C2012C-R12G-A	T	36.9/15.4
L42	6200010320	S.COL C2012C-R15G-A	T	39.5/12.8
L43	6200010310	S.COL C2012C-27NG-A	T	41.7/18.5
L44	6200010010	S.COL C2012C-39NG-A	T	45.8/17.6
L101	6200010350	S.COL C2012C-R27G-A	T	10.9/21.6
L102	6200001981	S.COL NLV25T-1R0J	T	12.3/28.7
L121	6200005721	S.COL ELJRE 33NGFA	T	12.2/45.7
L122	6200005721	S.COL ELJRE 33NGFA	T	14.5/46.5
L123	6200001981	S.COL NLV25T-1R0J	B	17.3/44.1
L141	6200005661	S.COL ELJRE 10NGFA	T	13/39.2
L142	6200005661	S.COL ELJRE 10NGFA	T	15.2/38.4
L143	6200001981	S.COL NLV25T-1R0J	B	18/37.1
L161	6200005651	S.COL ELJRE 8N2ZFA	T	12.2/31.1
L162	6200005651	S.COL ELJRE 8N2ZFA	T	14.5/31.9
L163	6200001981	S.COL NLV25T-1R0J	B	18.3/29.6
L181	6200001981	S.COL NLV25T-1R0J	T	22.2/38.5
L183	6200005651	S.COL ELJRE 8N2ZFA	T	24.8/42.3
R21	7030003860	S.RES ERJ3GE JPW V	T	32/42.3
R22	7030003860	S.RES ERJ3GE JPW V	T	38.6/42.3
R23	7030003320	S.RES ERJ3GEYJ 101 V (100)	T	35.6/38.6
R24	7030003320	S.RES ERJ3GEYJ 101 V (100)	T	35.6/35.9
R25	7030003260	S.RES ERJ3GEYJ 330 V (33)	T	30.1/30.1
R26	7030003300	S.RES ERJ3GEYJ 680 V (68)	T	30.3/44.8
R27	7030003300	S.RES ERJ3GEYJ 680 V (68)	T	37.3/44.8
R42	7030003860	S.RES ERJ3GE JPW V	T	35.8/20
R44	7030003280	S.RES ERJ3GEYJ 470 V (47)	T	44/17.3
R101	7030003860	S.RES ERJ3GE JPW V [EUR], [UK]	T	7.5/12.5
R101	7030004430	S.RES ERJ3GEYJ 5R6 V (5.6) [EUR], [UK]	T	7.5/12.5
R102	7030003430	S.RES ERJ3GEYJ 821 V (820) [EUR], [UK] only	T	9.7/11.8
R103	7030003430	S.RES ERJ3GEYJ 821 V (820)	T	9.7/13.3
R104	7030003200	S.RES ERJ3GEYJ 100 V (10)	T	11.5/18
R105	7030003440	S.RES ERJ3GEYJ 102 V (1 k)	T	9.3/29
R121	7030003440	S.RES ERJ3GEYJ 102 V (1 k)	B	19.6/43
R122	7030003680	S.RES ERJ3GEYJ 104 V (100 k)	B	19.2/45
R141	7030003440	S.RES ERJ3GEYJ 102 V (1 k)	B	20.2/37.6
R142	7030003680	S.RES ERJ3GEYJ 104 V (100 k)	B	19/40.2
R161	7030003410	S.RES ERJ3GEYJ 561 V (560)	B	19.4/27.3
R162	7030003680	S.RES ERJ3GEYJ 104 V (100 k)	B	20.2/29.3
R181	7030003440	S.RES ERJ3GEYJ 102 V (1 k)	T	22.1/41.5
C1	4030009920	S.CER C1608 CH 1H 050B-T	T	44.2/39.1
C3	4030009920	S.CER C1608 CH 1H 050B-T	T	45.7/43.9
C5	4030009530	S.CER C1608 CH 1H 030B-T	T	41.7/47.6
C6	4030009530	S.CER C1608 CH 1H 030B-T	T	44.2/34.6
C21	4030006850	S.CER C1608 JB 1H 471K-T	T	29/49.1
C22	4030011600	S.CER C1608 JB 1E 104K-T	T	37.2/49.1
C23	4030011600	S.CER C1608 JB 1E 104K-T	T	30.4/49.1
C24	4030006850	S.CER C1608 JB 1H 471K-T	T	38.6/49.1
C29	4030006850	S.CER C1608 JB 1H 471K-T	T	37.5/24.2
C30	4030011600	S.CER C1608 JB 1E 104K-T	T	37.5/25.6
C31	4030006850	S.CER C1608 JB 1H 471K-T	T	33.1/31.6
C32	4030011600	S.CER C1608 JB 1E 104K-T	T	33.1/27.1
C33	4030011600	S.CER C1608 JB 1E 104K-T	T	31.6/31.6
C34	4030006850	S.CER C1608 JB 1H 471K-T	T	31.6/27.1
C42	4030007100	S.CER C1608 CH 1H 560J-T	T	41.9/13.8
C43	4030007070	S.CER C1608 CH 1H 330J-T	T	41.9/11.8
C44	4030007020	S.CER C1608 CH 1H 120J-T	T	36.6/17.8
C45	4030007020	S.CER C1608 CH 1H 120J-T	T	41.4/16.6
C101	4030006860	S.CER C1608 JB 1H 102K-T	T	7.5/18.1
C102	4030006860	S.CER C1608 JB 1H 102K-T	T	9.7/18.8
C103	4030006860	S.CER C1608 JB 1H 102K-T	T	8.4/22.6
C104	4030011600	S.CER C1608 JB 1E 104K-T	T	9.7/17.4
C121	4030007030	S.CER C1608 CH 1H 150J-T	T	11.5/48
C122	4030006860	S.CER C1608 JB 1H 102K-T	B	20.4/45
C123	4030007060	S.CER C1608 CH 1H 270J-T	T	13/48
C124	4030007030	S.CER C1608 CH 1H 150J-T	T	16/48
C141	4030009910	S.CER C1608 CH 1H 040B-T	T	11.5/40.7
C142	4030006860	S.CER C1608 JB 1H 102K-T	B	20.2/40.2
C143	4030006990	S.CER C1608 CH 1H 080D-T	T	14.5/40.7
C144	4030009910	S.CER C1608 CH 1H 040B-T	T	16/40.7
C161	4030009910	S.CER C1608 CH 1H 040B-T	T	11.5/33.4
C162	4030006860	S.CER C1608 JB 1H 102K-T	B	21.4/29.3
C163	4030006980	S.CER C1608 CH 1H 070D-T	T	13/33.4
C164	4030009910	S.CER C1608 CH 1H 040B-T	T	16/33.4
C181	4030006860	S.CER C1608 JB 1H 102K-T	T	22.8/43.8
C182	4030006990	S.CER C1608 CH 1H 080D-T	T	24.1/40
C184	4030006990	S.CER C1608 CH 1H 080D-T	T	25.6/40
C201	4030006860	S.CER C1608 JB 1H 102K-T	T	25.4/12.1
C202	4030006860	S.CER C1608 JB 1H 102K-T	B	20.3/12.1
C203	4030006860	S.CER C1608 JB 1H 102K-T	B	21.6/12.1

M.=Mounted side (T: Mounted on the Top side B: Mounted on the Bottom side) S.=Surface mount

[MIX2 UNIT]

REF NO.	ORDER NO.	DESCRIPTION	M.	H/V LOCATION		
C204	4030006860	S.CER C1608 JB 1H 102K-T	B	22.9/12.1		
J1	6510007020	CNR TMP-J01X-V6	B	22/7		
J41	6510007020	CNR TMP-J01X-V6				
J101	6510007020	CNR TMP-J01X-V6				
J201	6510019971	S.CNR 52808-1071				
EP31	6910015970	S.BEA MMZ1608B 301CT-AS	B	29.3/25.3		
EP101	6910015970	S.BEA MMZ1608B 301CT-AS	B	16/15.5		
EP102	6910002161	CAS CASE-BM7H-LF	B	22.9/15.6		
EP201	6910015970	S.BEA MMZ1608B 301CT-AS				
EP202	6910015970	S.BEA MMZ1608B 301CT-AS				
EP203	6910015970	S.BEA MMZ1608B 301CT-AS				
EP204	6910015970	S.BEA MMZ1608B 301CT-AS				
EP205	6910015970	S.BEA MMZ1608B 301CT-AS				
EP206	6910015970	S.BEA MMZ1608B 301CT-AS				
EP207	6910015970	S.BEA MMZ1608B 301CT-AS				
EP208	6910015970	S.BEA MMZ1608B 301CT-AS				
					T	21.6/15.6
					B	20.3/15.6
					T	24.1/14.7
					T	22.8/12.1
					T	21.5/12.1
			T	20.2/12.1		
			T	24.1/12.1		

[ANT UNIT]

REF NO.	ORDER NO.	DESCRIPTION	M.	H/V LOCATION
IC101	1110006970	S.IC MAALSS0038TR	T	87.4/12.7
IC201	1110006970	S.IC MAALSS0038TR	T	46.3/43.7
IC202	1110006970	S.IC MAALSS0038TR	T	33.2/42.3
IC601	1110006180	S.IC UPG2009TB-E3	T	158.5/24.2
IC602	1110006180	S.IC UPG2009TB-E3	T	158.5/16.3
IC701	1110006180	S.IC UPG2009TB-E3	T	152.7/11.5
IC702	1110006180	S.IC UPG2009TB-E3	T	144.8/11.5
IC801	1110006180	S.IC UPG2009TB-E3	T	139.2/10.3
IC802	1110007110	S.IC HELA-10+ <MRF>	T	120.6/9.4
IC803	1110006180	S.IC UPG2009TB-E3	T	105.5/19.9
IC1201	1130005721	S.IC TC7W04F (TE12L,F)	T	32.9/12.2
Q201	1530003880	S.TR HSG2001VF-TE-E	T	40.2/31.3
Q1202	1590003530	S.TR BCR08PN	T	35.6/21.8
		except [FRA], [AUS], [CHN]		
		UMD22N TR [FRA], [AUS], [CHN]		
Q1203	1590003630	S.TR EMD29-T2R		
Q1204	1590003630	S.TR EMD29-T2R		
Q1205	1590003520	S.TR BCR108T		
		except [FRA], [AUS], [CHN]		
	1590003940	S.TR RN1105 (TE85L,F)		
		[FRA], [AUS], [CHN]		
Q1206	1590003530	S.TR BCR08PN		
		except [FRA], [AUS], [CHN]		
	1590003930	S.TR UMD22N TR [FRA], [AUS], [CHN]		
Q1207	1590003530	S.TR BCR08PN		
		except [FRA], [AUS], [CHN]		
	1590003930	S.TR UMD22N TR [FRA], [AUS], [CHN]		
Q1208	1590003530	S.TR BCR08PN		
		except [FRA], [AUS], [CHN]		
	1590003930	S.TR UMD22N TR [FRA], [AUS], [CHN]		
Q1209	1590003530	S.TR BCR08PN		
		except [FRA], [AUS], [CHN]		
	1590003930	S.TR UMD22N TR [FRA], [AUS], [CHN]		
Q1210	1550000090	S.FET RSQ035P03TR		
D101	1750000550	S.DIO 1SS355 TE-17	B	94.4/44.2
D102	1750000550	S.DIO 1SS355 TE-17	T	98.2/13.2
D103	1750000550	S.DIO 1SS355 TE-17	B	62/12.6
D104	1750000550	S.DIO 1SS355 TE-17	B	79.2/42.8
D201	1750000550	S.DIO 1SS355 TE-17	B	65.9/48.7
D202	1750000550	S.DIO 1SS355 TE-17	B	22.5/44.9
D501	1750000550	S.DIO 1SS355 TE-17	B	136.7/25
L1	6200011730	S.COL LQW18AN10NG00D	T	111.9/39.2
L2	6200010120	S.COL LQW18AN5N6C00D	T	106.8/32.7
L3	6200010120	S.COL LQW18AN5N6C00D	T	104.2/32.7
L101	6200001831	S.COL NLV32T-100J	T	83.3/3.7
L102	6200005731	S.COL ELJRE 39NGFA	T	84.8/10
L201	6200007670	S.COL LQW2BHN10NJ03L	T	55.4/33.8
L202	6200005631	S.COL ELJRE 5N6ZFA	T	50.9/32.8
L203	6200005621	S.COL ELJRE 4N7ZFA	T	47.5/34
L204	6200011870	S.COL LQW18AN2N2D00D	T	52.9/46.6
L205	6200011870	S.COL LQW18AN2N2D00D	T	51.4/46.6
L206	6200007670	S.COL LQW2BHN10NJ03L	T	37.8/30.7
L207	6200005731	S.COL ELJRE 39NGFA	T	44.4/42.7
L208	6200006781	S.COL ELJRE 1N8ZFA	T	34.9/29.6
L209	6200005601	S.COL ELJRE 3N3ZFA	T	31.6/30.3
L210	6200005611	S.COL ELJRE 3N9ZFA	T	29.4/29.6
L211	6200006771	S.COL ELJRE 1N5ZFA	T	42.1/43.3
L212	6200006771	S.COL ELJRE 1N5ZFA	T	39.5/44.5
L213	6200001831	S.COL NLV32T-100J	B	41.4/39.8
L214	6200005731	S.COL ELJRE 39NGFA	T	33/40.2
L215	6200001831	S.COL NLV32T-100J	T	39.3/40.6
L216	6200012310	S.COL LQW18AN4N7D00D	T	55.2/45.6
L217	6200010630	S.COL LQW18AN8N2D00D	T	30.8/46.6
L218	6200012310	S.COL LQW18AN4N7D00D	T	28.8/47.4
L219	6200012320	S.COL LQW18AN3N6D00D	T	26.5/47.8
L501	6200010660	S.COL C2520C-R15G-A (0.15U)	T	155.4/31.1
L502	6200010670	S.COL C2520C-R18G-A (0.18U)	T	159.7/30.4
L503	6200010670	S.COL C2520C-R18G-A (0.18U)	T	151.6/30.3
L521	6200007780	S.COL LQW2BHN12J03L	B	152.6/38.5
L522	6200008570	S.COL LQW2BHN6N8D03L	B	143.8/40.1
L801	6130003020	S.COL ADTL1-12+ <MRF>	T	133/9.5
L802	6200010870	S.COL C2520C-R33G-A (0.33U)	T	113.4/6.6
L803	6200010870	S.COL C2520C-R33G-A (0.33U)	T	113.4/12.3
L804	6130003020	S.COL ADTL1-12+ <MRF>	T	105.5/9.4
R1	7030003560	S.RES ERJ3GEYJ 103 V (10 k)	T	109.3/41.3
R101	7030003200	S.RES ERJ3GEYJ 100 V (10)	B	91.5/42.6
R102	7030003200	S.RES ERJ3GEYJ 100 V (10)	T	97.2/11.2
R104	7030003350	S.RES ERJ3GEYJ 181 V (180)	T	76.1/25.4
R105	7030003200	S.RES ERJ3GEYJ 100 V (10)	B	60.4/10.8
R106	7030003300	S.RES ERJ3GEYJ 680 V (68)	T	76.8/23.3
R107	7030004030	S.RES ERJ3GEYJ 5R6 V (5.6)	T	78.3/10.8
R108	7030003430	S.RES ERJ3GEYJ 821 V (820)	T	79.1/12.7
R109	7030003430	S.RES ERJ3GEYJ 821 V (820)	T	77.6/12.7
R110	7030003300	S.RES ERJ3GEYJ 680 V (68)	T	75.3/23.3
R111	7030003200	S.RES ERJ3GEYJ 100 V (10)	B	80.2/40.8
R112	7030003430	S.RES ERJ3GEYJ 821 V (820)	B	89.9/18.4
R113	7030004030	S.RES ERJ3GEYJ 5R6 V (5.6)	B	91.8/17.6
R114	7030003430	S.RES ERJ3GEYJ 821 V (820)	B	89.9/16.9
R115	7030003380	S.RES ERJ3GEYJ 331 V (330)	T	83.6/10
R120	7030000010	S.RES MCR10EZHZ JPW (000)	B	51.5/40.7
R121	7030000010	S.RES MCR10EZHZ JPW (000)	B	46.1/51.5
R201	7030003200	S.RES ERJ3GEYJ 100 V (10)	B	66.9/50.8
R202	7030003500	S.RES ERJ3GEYJ 332 V (3.3 k)	T	43.7/28.8
R203	7030003280	S.RES ERJ3GEYJ 470 V (47)	B	35.1/28.9
R204	7030003480	S.RES ERJ3GEYJ 222 V (2.2 k)	T	44.9/33.3
R205	7030003240	S.RES ERJ3GEYJ 220 V (22)	T	42.9/30.6

M.=Mounted side (T: Mounted on the Top side B: Mounted on the Bottom side)
S.=Surface mount

[ANT UNIT]

REF NO.	ORDER NO.	DESCRIPTION	M.	H/V LOCATION
R206	7030003200	S.RES ERJ3GEYJ 100 V (10)	T	37.8/33.9
R212	7030003200	S.RES ERJ3GEYJ 100 V (10)	B	21.4/48.3
R213	7030003430	S.RES ERJ3GEYJ 821 V (820)	T	49.9/46.6
R214	7030004030	S.RES ERJ3GEYJ 5R6 V (5.6)	T	49.2/43.5
R215	7030003430	S.RES ERJ3GEYJ 821 V (820)	T	48.4/46.6
R216	7030003430	S.RES ERJ3GEYJ 821 V (820)	T	36.7/46.6
R217	7030004030	S.RES ERJ3GEYJ 5R6 V (5.6)	T	36.2/43.3
R218	7030003430	S.RES ERJ3GEYJ 821 V (820)	T	35.5/46.6
R220	7030003400	S.RES ERJ3GEYJ 471 V (470)	B	20.1/26.2
R221	7030003200	S.RES ERJ3GEYJ 100 V (10)	B	19.3/24.1
R222	7030003400	S.RES ERJ3GEYJ 471 V (470)	B	18.6/26.2
R501	7540000260	ABS SA05C 201M		
R502	7030003680	S.RES ERJ3GEYJ 104 V (100 k)	T	141.2/44.2
R503	7030003200	S.RES ERJ3GEYJ 100 V (10)	B	132.9/23.9
R601	7030003440	S.RES ERJ3GEYJ 102 V (1 k)	B	153.1/25.1
R602	7030003290	S.RES ERJ3GEYJ 560 V (56)	T	163.3/21
R603	7030003360	S.RES ERJ3GEYJ 221 V (220)	T	161.5/20.3
R604	7030003290	S.RES ERJ3GEYJ 560 V (56)	T	163.3/19.5
R605	7030003440	S.RES ERJ3GEYJ 102 V (1 k)	B	156.1/16.2
R606	7030003440	S.RES ERJ3GEYJ 102 V (1 k)	B	161.7/15.4
R607	7030003440	S.RES ERJ3GEYJ 102 V (1 k)	B	161.7/24.3
R701	7030003440	S.RES ERJ3GEYJ 102 V (1 k)	B	152.6/15.8
R702	7030003300	S.RES ERJ3GEYJ 680 V (68)	T	148.8/8.3
R703	7030003320	S.RES ERJ3GEYJ 101 V (100)	T	149.5/6.4
R704	7030003320	S.RES ERJ3GEYJ 101 V (100)	T	148/6.4
R705	7030003440	S.RES ERJ3GEYJ 102 V (1 k)	B	143.9/15.8
R706	7030003440	S.RES ERJ3GEYJ 102 V (1 k)	B	143.9/7.3
R707	7030003440	S.RES ERJ3GEYJ 102 V (1 k)	B	153.6/7.3
R801	7030003440	S.RES ERJ3GEYJ 102 V (1 k)	B	140.1/6.4
R802	7030003440	S.RES ERJ3GEYJ 102 V (1 k)	B	140.1/14.5
R803	7030003860	S.RES ERJ3GE JPW V	T	105.2/15.4
R804	7030003440	S.RES ERJ3GEYJ 102 V (1 k)	T	103/14.6
R806	7030003440	S.RES ERJ3GEYJ 102 V (1 k)	B	102.7/18
R807	7030003440	S.RES ERJ3GEYJ 102 V (1 k)	B	106.4/21.7
R809	7030003440	S.RES ERJ3GEYJ 102 V (1 k)	T	137.6/5.3
R1207	7030003680	S.RES ERJ3GEYJ 104 V (100 k)	T	31.3/2
R1208	7030003440	S.RES ERJ3GEYJ 102 V (1 k)	T	32.5/3.5
C1	4030009920	S.CER C1608 CH 1H 050B-T	T	107.4/40.5
C2	4030009530	S.CER C1608 CH 1H 030B-T	T	109.3/39.2
C3	4030009520	S.CER C1608 CH 1H 020B-T	T	107.4/37.9
C4	4030006980	S.CER C1608 CH 1H 070D-T	T	106.8/35.3
C6	4030009540	S.CER C1608 CH 1H 1R5B-T	T	105.5/37.2
C7	4030007050	S.CER C1608 CH 1H 220J-T	T	104.2/35.3
C8	4030009550	S.CER C1608 CH 1H 2R5B-T	T	102.9/37.2
C101	4030006860	S.CER C1608 JB 1H 102K-T	B	94.1/42.6
C102	4030006860	S.CER C1608 JB 1H 102K-T	T	97.9/14.8
C104	4030006860	S.CER C1608 JB 1H 102K-T	T	85.6/7.1
C105	4030007130	S.CER C1608 CH 1H 101J-T	T	85.6/5.9
C106	4030007130	S.CER C1608 CH 1H 101J-T	T	81.1/10.7
C107	4030006860	S.CER C1608 JB 1H 102K-T	B	63.8/12.3
C109	4030006860	S.CER C1608 JB 1H 102K-T	B	79.5/44.3
C110	4030007130	S.CER C1608 CH 1H 101J-T	T	90.3/13.6
C111	4030009500	S.CER C1608 CH 1H 0R5B-T	B	83.9/44.5
C112	4030009500	S.CER C1608 CH 1H 0R5B-T	B	74.3/44.3
C113	4030009570	S.CER C1608 CH 1H 0R3B-T	B	84.3/32
C115	4030009500	S.CER C1608 CH 1H 0R5B-T	B	74.1/11
C116	4030009560	S.CER C1608 CH 1H R75B-T	T	80.3/12.7
C117	4030009920	S.CER C1608 CH 1H 050B-T	B	93/17.6
C118	4030009920	S.CER C1608 CH 1H 050B-T	T	78.3/9.6
C119	4030009560	S.CER C1608 CH 1H R75B-T	T	89.6/11.7
C122	4030009570	S.CER C1608 CH 1H 0R3B-T	B	74.1/36.7
C123	4030007090	S.CER C1608 CH 1H 470J-T	T	80/3.7
C201	4030006860	S.CER C1608 JB 1H 102K-T	B	66.2/47.1
C202	4030007090	S.CER C1608 CH 1H 470J-T	T	43.7/26.2
C203	4030007090	S.CER C1608 CH 1H 470J-T	B	35.1/31.5
C204	4030009520	S.CER C1608 CH 1H 020B-T	T	54.8/27.6
C205	4030009510	S.CER C1608 CH 1H 010B-T	T	54/30.2
C206	4030009520	S.CER C1608 CH 1H 020B-T	T	55.4/30.2
C207	4030009510	S.CER C1608 CH 1H 010B-T	T	52.1/29.5
C208	4030011770	S.CER C1608 CH 1H 060B-T	T	50.2/30.2
C209	4030009510	S.CER C1608 CH 1H 010B-T	T	48.3/29.5
C210	4030007030	S.CER C1608 CH 1H 150J-T	T	47.5/31.4
C212	4030009510	S.CER C1608 CH 1H 010B-T	T	53.7/40.6
C213	4030009350	S.CER C1608 CH 1H 3R5B-T	T	52.9/43.9
C215	4030009510	S.CER C1608 CH 1H 010B-T	T	52.2/42
C216	4030007010	S.CER C1608 CH 1H 100D-T	T	51.4/43.9
C218	4030009540	S.CER C1608 CH 1H 1R5B-T	T	49.9/41.7
C219	4030006850	S.CER C1608 JB 1H 471K-T	B	36.4/31.5
C220	4030009520	S.CER C1608 CH 1H 020B-T	T	35.6/31.6
C221	4030009550	S.CER C1608 CH 1H 2R5B-T	T	45.6/30.6
C222	4030009520	S.CER C1608 CH 1H 020B-T	T	41/33.9
C223	4030009520	S.CER C1608 CH 1H 020B-T	T	42.6/33.9
C224	4030009520	S.CER C1608 CH 1H 020B-T	T	39.4/33.9
C225	4030007130	S.CER C1608 CH 1H 101J-T	T	44.7/40.7
C228	4030009520	S.CER C1608 CH 1H 020B-T	T	43.6/44.6
C229	4030009510	S.CER C1608 CH 1H 010B-T	T	33.7/32.4
C230	4030009500	S.CER C1608 CH 1H 0R5B-T	T	33.7/29.6
C231	4030009510	S.CER C1608 CH 1H 010B-T	T	32.4/32.4
C232	4030009560	S.CER C1608 CH 1H R75B-T	T	31.6/29
C233	4030009500	S.CER C1608 CH 1H 0R5B-T	T	30.9/32.5
C234	4030009500	S.CER C1608 CH 1H 0R5B-T	T	29.4/32.5
C235	4030009500	S.CER C1608 CH 1H 0R5B-T	T	30.1/27.7
C238	4030009570	S.CER C1608 CH 1H 0R3B-T	T	42.9/46.6
C239	4030009500	S.CER C1608 CH 1H 0R5B-T	T	41.5/46.6
C240	4030009500	S.CER C1608 CH 1H 0R5B-T	T	40.3/46.6
C241	4030009570	S.CER C1608 CH 1H 0R3B-T	T	39.5/43.3
C242	4030009500	S.CER C1608 CH 1H 0R5B-T	T	27.2/29.6
C243	4030009500	S.CER C1608 CH 1H 0R5B-T	T	26/29.6
C244	4030006860	S.CER C1608 JB 1H 102K-T	B	22.2/46.4
C246	4030009500	S.CER C1608 CH 1H 0R5B-T	T	39.1/46.6
C249	4030006860	S.CER C1608 JB 1H 102K-T	T	37.8/26.7
C250	4030006860	S.CER C1608 JB 1H 102K-T	T	44.8/40.5

[ANT UNIT]

REF NO.	ORDER NO.	DESCRIPTION	M.	H/V LOCATION
C251	4030009510	S.CER C1608 CH 1H 010B-T	T	46.1/33.3
C252	4030009520	S.CER C1608 CH 1H 020B-T	T	36.3/33.9
C253	4030007090	S.CER C1608 CH 1H 470J-T	B	38/39.7
C256	4030007130	S.CER C1608 CH 1H 101J-T	T	33.9/45.1
C257	4030006860	S.CER C1608 JB 1H 102K-T	T	35.7/41
C258	4030007130	S.CER C1608 CH 1H 101J-T	T	37.1/41
C259	4030009570	S.CER C1608 CH 1H 0R3B-T	T	55.9/39.8
C260	4030009520	S.CER C1608 CH 1H 020B-T	T	55.2/41.8
C261	4030009540	S.CER C1608 CH 1H 1R5B-T	T	54.4/43.7
C262	4030009530	S.CER C1608 CH 1H 030B-T	T	49.2/44.7
C263	4030007130	S.CER C1608 CH 1H 101J-T	T	47.9/41.6
C264	4030009570	S.CER C1608 CH 1H 0R3B-T	T	37.9/46.6
C265	4030009530	S.CER C1608 CH 1H 030B-T	T	36.2/44.5
C266	4030009540	S.CER C1608 CH 1H 1R5B-T	T	30.8/41
C267	4030009540	S.CER C1608 CH 1H 1R5B-T	T	30.8/44
C268	4030009510	S.CER C1608 CH 1H 010B-T	T	29.2/42.5
C269	4030009560	S.CER C1608 CH 1H R75B-T	T	28/45.4
C270	4030009510	S.CER C1608 CH 1H 010B-T	T	29.2/45.4
C271	4030009560	S.CER C1608 CH 1H R75B-T	T	27.3/43.2
C272	4030009920	S.CER C1608 CH 1H 050B-T	T	26.5/45.2
C273	4030009560	S.CER C1608 CH 1H R75B-T	T	26.5/41.3
C501	4030006860	S.CER C1608 JB 1H 102K-T	B	153.1/24.7
C502	4030007100	S.CER C1608 CH 1H 560J-T	T	153.9/28.1
C504	4030007100	S.CER C1608 CH 1H 560J-T	T	156.5/28.1
C506	4030007130	S.CER C1608 CH 1H 101J-T	T	158.5/27.3
C508	4030007130	S.CER C1608 CH 1H 101J-T	T	151/28.1
C521	4030007020	S.CER C1608 CH 1H 120J-T	B	154.6/40.9
C522	4030007020	S.CER C1608 CH 1H 120J-T	B	153.4/40.9
C523	4030007020	S.CER C1608 CH 1H 120J-T	B	151.8/40.9
C524	4030007020	S.CER C1608 CH 1H 120J-T	B	150.6/40.9
C525	4030009540	S.CER C1608 CH 1H 1R5B-T	B	142.1/44.8
C526	4030009520	S.CER C1608 CH 1H 020B-T	B	140.9/39.2
C601	4030006860	S.CER C1608 JB 1H 102K-T	T	156.1/24.9
C602	4030006860	S.CER C1608 JB 1H 102K-T	T	161/25.4
C603	4030017810	S.CER C1608 CH 1H 102J-T	T	161/23.3
C604	4030006900	S.CER C1608 JB 1H 103K-T	T	161/22.1
C605	4030006900	S.CER C1608 JB 1H 103K-T	T	157.8/20.3
C606	4030017810	S.CER C1608 CH 1H 102J-T	T	156.5/20.3
C607	4030006900	S.CER C1608 JB 1H 103K-T	T	161/17.2
C608	4030017810	S.CER C1608 CH 1H 102J-T	T	161/18.4
C609	4030006860	S.CER C1608 JB 1H 102K-T	T	156/16.4
C610	4030006860	S.CER C1608 JB 1H 102K-T	T	161.7/15.4
C611	4030017810	S.CER C1608 CH 1H 102J-T	T	155.7/13.1
C612	4030006900	S.CER C1608 JB 1H 103K-T	T	155.7/14.3
C701	4030006860	S.CER C1608 JB 1H 102K-T	T	152.9/13.7
C702	4030006860	S.CER C1608 JB 1H 102K-T	T	153.6/8.2
C703	4030006900	S.CER C1608 JB 1H 103K-T	T	151.8/9
C704	4030017810	S.CER C1608 CH 1H 102J-T	T	150.6/9
C705	4030006900	S.CER C1608 JB 1H 103K-T	T	148.8/12.3
C706	4030017810	S.CER C1608 CH 1H 102J-T	T	148.8/13.5
C707	4030006900	S.CER C1608 JB 1H 103K-T	T	146.9/9
C708	4030017810	S.CER C1608 CH 1H 102J-T	T	145.7/9
C709	4030006860	S.CER C1608 JB 1H 102K-T	T	144.7/14
C710	4030006860	S.CER C1608 JB 1H 102K-T	T	143.9/8.2
C711	4030017810	S.CER C1608 CH 1H 102J-T	T	142.1/10.4
C712	4030006900	S.CER C1608 JB 1H 103K-T	T	142.1/11.6
C801	4030006860	S.CER C1608 JB 1H 102K-T	T	141.2/8
C802	4030006860	S.CER C1608 JB 1H 102K-T	T	140.1/13.5
C803	4030017810	S.CER C1608 CH 1H 102J-T	T	127.8/8
C804	4030006900	S.CER C1608 JB 1H 103K-T	T	127.8/6.7
C805	4030006900	S.CER C1608 JB 1H 103K-T	T	111.6/19.9
C806	4030017810	S.CER C1608 CH 1H 102J-T	T	110.3/19.9
C807	4030006900	S.CER C1608 JB 1H 103K-T	T	127.8/12.3
C808	4030017810	S.CER C1608 CH 1H 102J-T	T	127.8/10.9
C809	4030006860	S.CER C1608 JB 1H 102K-T	T	114.8/3
C810	4030006900	S.CER C1608 JB 1H 103K-T	T	112.9/2.7
C812	4030006860	S.CER C1608 JB 1H 102K-T	T	102.7/18
C813	4030006860	S.CER C1608 JB 1H 102K-T	T	106.4/22.2
C814	4030017810	S.CER C1608 CH 1H 102J-T	T	101.7/20.6
C815	4030006900	S.CER C1608 JB 1H 103K-T	T	102.9/20.6
C816	4030006900	S.CER C1608 JB 1H 103K-T	T	115.3/14.9
C817	4030006860	S.CER C1608 JB 1H 102K-T	T	111.4/14.9
C819	4030006900	S.CER C1608 JB 1H 103K-T	T	110.8/6.8
C820	4030017810	S.CER C1608 CH 1H 102J-T	T	110.8/8.1
C821	4030017810	S.CER C1608 CH 1H 102J-T		

[ANT UNIT]

REF NO.	ORDER NO.	DESCRIPTION	M.	H/V LOCATION
J2	6510023480	S.CNR AYU1-1P-02676-120-TF	T	6/43.3
J3	6510023480	S.CNR AYU1-1P-02676-120-TF	T	102.8/24.2
J1001	6510019981	S.CNR 52808-1671 (1690)	T	17.5/15.1
EP801	6910014730	S.BEA MPZ2012S331A-T	B	103.5/8
EP1001	6910015970	S.BEA MMZ1608B 301CT-AS	T	22.3/20.8
EP1002	6910015970	S.BEA MMZ1608B 301CT-AS	T	22.3/19.6
EP1003	6910015970	S.BEA MMZ1608B 301CT-AS	T	22.3/18.4
EP1004	6910014730	S.BEA MPZ2012S331A-T	T	22/16.9
EP1005	6910015970	S.BEA MMZ1608B 301CT-AS	T	22.3/15.3
EP1006	6910015970	S.BEA MMZ1608B 301CT-AS	T	22.3/14.1
EP1007	6910015970	S.BEA MMZ1608B 301CT-AS	T	22.3/12.9
EP1008	6910015970	S.BEA MMZ1608B 301CT-AS	T	22.3/11.7
EP1009	6910015970	S.BEA MMZ1608B 301CT-AS	T	22.3/10.5
EP1010	6910015970	S.BEA MMZ1608B 301CT-AS	T	22.3/9.3
EP1101	6910015970	S.BEA MMZ1608B 301CT-AS	B	28.3/21.1
EP1102	6910015970	S.BEA MMZ1608B 301CT-AS	T	26/18.9
EP1103	6910015970	S.BEA MMZ1608B 301CT-AS	T	28.7/18.2
EP1104	6910014730	S.BEA MPZ2012S331A-T	T	26.3/16.9
EP1105	6910015970	S.BEA MMZ1608B 301CT-AS	T	26.1/15.3
EP1106	6910015970	S.BEA MMZ1608B 301CT-AS	T	26/14.1
EP1107	6910015970	S.BEA MMZ1608B 301CT-AS	T	26/12.9
EP1108	6910015970	S.BEA MMZ1608B 301CT-AS	T	26/11.7
EP1109	6910015970	S.BEA MMZ1608B 301CT-AS	T	26/10.5
EP1110	6910015970	S.BEA MMZ1608B 301CT-AS	B	26/9.3
EP1201	6910014730	S.BEA MPZ2012S331A-T	T	29.6/16.5

[VCO-A BOARD]

REF NO.	ORDER NO.	DESCRIPTION	M.	H/V LOCATION
Q1301	1560000491	S.FET 2SK508-T2B-A K52	T	5.3/9.7
Q1302	1530003550	S.TR 2SC5193-T1	T	8/18.4
Q1303	1530002060	S.TR 2SC4081 T106 R	B	6.5/16.1
D1301	1720000261	S.VCP 1SV214 (TPH2,F)	T	33.7/10.1
D1302	1720000261	S.VCP 1SV214 (TPH2,F)	T	33.7/17.5
D1303	1720000261	S.VCP 1SV214 (TPH2,F)	T	33.7/11.8
D1304	1720000261	S.VCP 1SV214 (TPH2,F)	T	33.7/19.3
D1307	1790001621	S.DIO 1SV308 (TPL3,F)	T	2.3/26.7
D1308	1790001621	S.DIO 1SV308 (TPL3,F)	T	1.4/24.9
L1301	6200010780	S.COL C2520C-1R0G-A	T	2.2/31.4
L1301	6200010740	S.COL C2520C-R27G-A	T	35.7/5
L1302	6200010740	S.COL C2520C-R27G-A	T	34/14.3
L1303	6200010740	S.COL C2520C-R27G-A	T	34.3/21.7
L1304	6200010740	S.COL C2520C-R27G-A	T	6/12.9
L1305	6200002041	S.COL NLV25T-101J	T	2.3/13.6
L1306	6200010780	S.COL C2520C-1R0G-A	T	8/28.7
R1301	7030003460	S.RES ERJ3GEYJ 152 V (1.5 k)	T	3.1/35.2
R1011	7030009961	S.RES ERA3YED 221V (220)	T	38/6.8
R1302	7030003310	S.RES ERJ3GEYJ 820 V (82)	T	5.2/15.2
R1303	7030003440	S.RES ERJ3GEYJ 102 V (1 k)	B	5.9/13.8
R1304	7030003510	S.RES ERJ3GEYJ 392 V (3.9 k)	T	8/16.5
R1305	7030003460	S.RES ERJ3GEYJ 152 V (1.5 k)	T	8/15.2
R1306	7030003320	S.RES ERJ3GEYJ 101 V (100)	T	8/20.3
R1307	7030003320	S.RES ERJ3GEYJ 101 V (100)	T	7.2/25.1
R1308	7030003240	S.RES ERJ3GEYJ 220 V (22)	T	9.3/24.5
C1301	4030017810	S.CER C1608 CH 1H 102J-T	T	2.2/28.2
C1301	4030011340	S.CER C1608 CH 1H 471J-T	T	40.4/7
C1302	4550003250	S.TAN TEESVA 1V 474M8R	T	39.6/3.8
C1303	4030007010	S.CER C1608 CH 1H 100D-T	T	31.2/14.3
		except [EUR], [UK]	T	31.2/14.3
		[EUR], [UK]	T	2.3/10.6
C1304	4030011340	S.CER C1608 CH 1H 471J-T	T	2.3/9.3
C1305	4030011340	S.CER C1608 CH 1H 471J-T	T	7.6/9.9
C1306	4030009530	S.CER C1608 CH 1H 030B-T	T	2.3/7.9
C1307	4030009530	S.CER C1608 CH 1H 030B-T	T	8.8/13
C1308	4030009510	S.CER C1608 CH 1H 010B-T	B	8.3/19.8
C1309	4550007860	S.TAN TMCMB1C336MTR	T	8/21.6
C1310	4030017810	S.CER C1608 CH 1H 102J-T	T	8/22.9
C1311	4030011600	S.CER C1608 JB 1E 104K-T	T	9.3/25.8
C1312	4030017810	S.CER C1608 CH 1H 102J-T	T	8/32.7
C1313	4030017810	S.CER C1608 CH 1H 102J-T	T	8.5/13.9
C1314	4030017490	S.CER C1608 JB 1A 105K-T	B	
J1302	6910003841	CNR IMSA-9230B-1-05Z003-PT1		
J1304	6910003851	CNR IMSA-9230B-1-06Z003-PT1		

[VCO-B BOARD]

REF NO.	ORDER NO.	DESCRIPTION	M.	H/V LOCATION
Q1201	1560000491	S.FET 2SK508-T2B-A K52	T	5.3/9.7
Q1202	1530003550	S.TR 2SC5193-T1	T	8/18.4
Q1203	1530002060	S.TR 2SC4081 T106 R	B	6.5/15.8
D1201	1720000261	S.VCP 1SV214 (TPH2,F)	T	32.8/9.1
D1202	1720000261	S.VCP 1SV214 (TPH2,F)	T	32.8/15.8
D1203	1720000261	S.VCP 1SV214 (TPH2,F)	T	31/9.1
D1204	1720000261	S.VCP 1SV214 (TPH2,F)	T	31/15.8
D1205	1720000261	S.VCP 1SV214 (TPH2,F)	T	29.3/9.1
D1206	1720000261	S.VCP 1SV214 (TPH2,F)	T	29.3/15.8
D1207	1750000581	S.DIO 1SV307 (TPH3,F)	T	2.5/25
D1208	1750000581	S.DIO 1SV307 (TPH3,F)	T	1.4/27.4
L1201	6200010780	S.COL C2520C-1R0G-A	T	35.9/6.6
L1202	6200010870	S.COL C2520C-R33G-A (0.33U)	T	34/12.5
L1204	6200010780	S.COL C2520C-1R0G-A	T	6/13
L1205	6200002041	S.COL NLV25T-101J	T	2.3/13.6
L1206	6200010780	S.COL C2520C-1R0G-A	T	8/28.7
R1202	7030003380	S.RES ERJ3GEYJ 331 V (330)	T	5.2/15.3
R1203	7030003440	S.RES ERJ3GEYJ 102 V (1 k)	B	5.8/13.6
R1204	7030003510	S.RES ERJ3GEYJ 392 V (3.9 k)	T	8/16.5
R1205	7030003460	S.RES ERJ3GEYJ 152 V (1.5 k)	T	8/15.3
R1206	7030003320	S.RES ERJ3GEYJ 101 V (100)	T	8/20.3
R1207	7030003320	S.RES ERJ3GEYJ 101 V (100)	T	7.2/24.9
R1208	7030003240	S.RES ERJ3GEYJ 220 V (22)	T	9.3/24.4
C1201	4030011340	S.CER C1608 CH 1H 471J-T	T	37.6/10
C1204	4030011340	S.CER C1608 CH 1H 471J-T	T	2.3/10.6
C1205	4030011340	S.CER C1608 CH 1H 471J-T	T	2.9/8.5
C1206	4030009350	S.CER C1608 CH 1H 3R5B-T	T	7.6/9.9
C1207	4030009910	S.CER C1608 CH 1H 040B-T	T	4.3/7
C1208	4030009510	S.CER C1608 CH 1H 010B-T	T	8.8/13
C1209	4550007860	S.TAN TMCMB1C336MTR	B	8.6/19.4
C1210	4030017810	S.CER C1608 CH 1H 102J-T	T	8/21.6
C1211	4030011600	S.CER C1608 JB 1E 104K-T	T	8/22.9
C1212	4030017810	S.CER C1608 CH 1H 102J-T	T	9.3/25.8
C1213	4030017810	S.CER C1608 CH 1H 102J-T	T	8/31.7
C1214	4030017490	S.CER C1608 JB 1A 105K-T	B	8.6/13.8
J1202	6910003831	CNR IMSA-9230B-1-04Z003-PT1		
J1204	6910003841	CNR IMSA-9230B-1-05Z003-PT1		

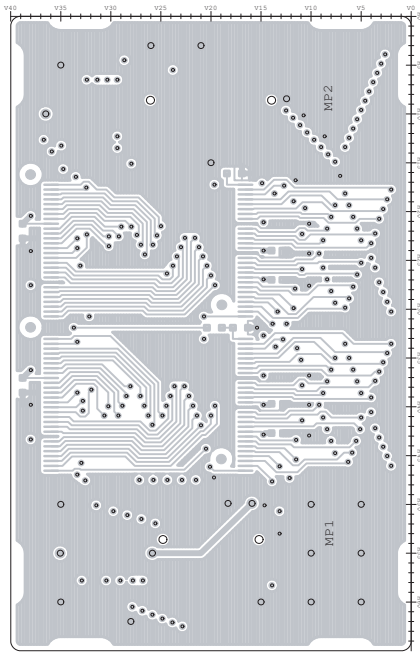
[VCO-C BOARD]

REF NO.	ORDER NO.	DESCRIPTION	M.	H/V LOCATION
Q1101	1560000491	S.FET 2SK508-T2B-A K52	T	5.3/9.7
Q1102	1530003550	S.TR 2SC5193-T1	T	8/18.4
Q1103	1530002060	S.TR 2SC4081 T106 R	B	6.3/16.1
D1101	1720000801	S.VCP 1SV290 (TPH3,F)	T	33.2/9.6
D1102	1720000801	S.VCP 1SV290 (TPH3,F)	T	33/15.5
D1103	1720000801	S.VCP 1SV290 (TPH3,F)	T	32/9.6
D1104	1720000801	S.VCP 1SV290 (TPH3,F)	T	31.8/15.5
D1105	1720000801	S.VCP 1SV290 (TPH3,F)	T	30.8/9.6
D1106	1720000801	S.VCP 1SV290 (TPH3,F)	T	30.6/15.5
L1101	6200010960	S.COL C2520C-R47G-A (0.47U)	T	35.9/6.6
L1102	6200010960	S.COL C2520C-R47G-A (0.47U)	T	34/12.5
L1104	6200010780	S.COL C2520C-1R0G-A	T	6/13
L1105	6200002041	S.COL NLV25T-101J	T	2.3/13.6
L1106	6200010780	S.COL C2520C-1R0G-A	T	8/28.7
R1102	7030003380	S.RES ERJ3GEYJ 331 V (330)	T	5.2/15.3
R1103	7030003440	S.RES ERJ3GEYJ 102 V (1 k)	B	6.2/13.7
R1104	7030003510	S.RES ERJ3GEYJ 392 V (3.9 k)	T	8/16.5
R1105	7030003460	S.RES ERJ3GEYJ 152 V (1.5 k)	T	8/15.3
R1106	7030003320	S.RES ERJ3GEYJ 101 V (100)	T	8/20.3
R1107	7030003320	S.RES ERJ3GEYJ 101 V (100)	T	7.2/24.9
R1108	7030003240	S.RES ERJ3GEYJ 220 V (22)	T	9.3/24.3
C1101	4030011340	S.CER C1608 CH 1H 471J-T	T	36.1/10
C1104	4030011340	S.CER C1608 CH 1H 471J-T	T	2.3/10.6
C1105	4030011340	S.CER C1608 CH 1H 471J-T	T	2.9/8.5
C1106	4030007010	S.CER C1608 CH 1H 100D-T	T	7.6/9.9
C1107	4030011770	S.CER C1608 CH 1H 060B-T	T	4.3/7
C1108	4030009510	S.CER C1608 CH 1H 010B-T	T	8.8/13
C1109	4550007860	S.TAN TMCMB1C336MTR	B	8.3/19.5
C1110	4030017810	S.CER C1608 CH 1H 102J-T	T	8/21.6
C1111	4030011600	S.CER C1608 JB 1E 104K-T	T	8/22.9
C1112	4030017810	S.CER C1608 CH 1H 102J-T	T	9.3/25.8
C1113	4030017810	S.CER C1608 CH 1H 102J-T	T	8/31.7
C1114	4030017490	S.CER C1608 JB 1A 105K-T	B	8.8/13.7
C1115	4030007010	S.CER C1608 CH 1H 100D-T	T	29.6/9.5
C1116	4030007010	S.CER C1608 CH 1H 100D-T	T	29.4/15.5
J1102	6910003821	CNR IMSA-9230B-1-03Z003-PT1		
J1104	6910003831	CNR IMSA-9230B-1-04Z003-PT1		

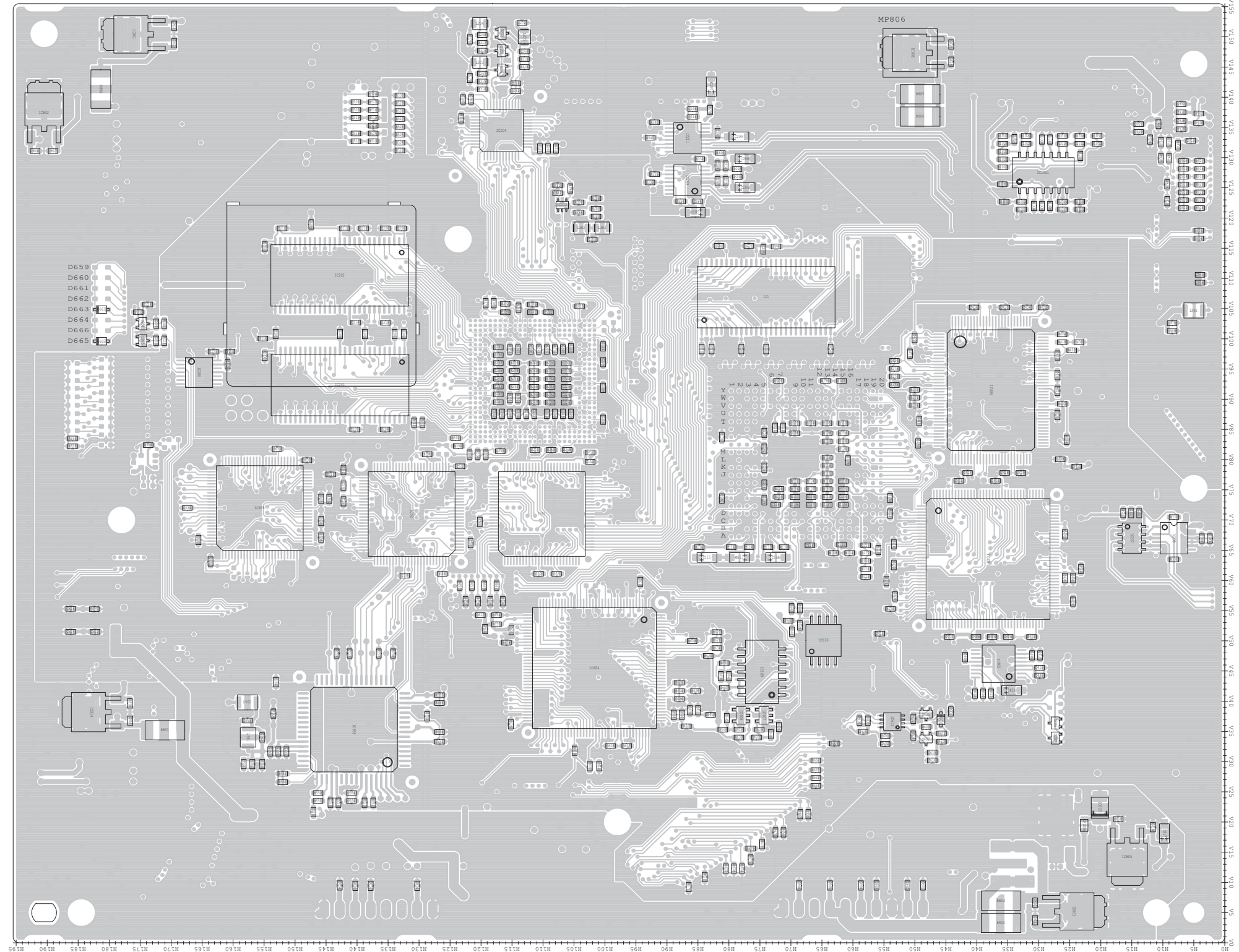
M.=Mounted side (T: Mounted on the Top side B: Mounted on the Bottom side) S.=Surface mount

The combination of this side and the bottom side shows the board layout in the same configuration as the actual P.C.Board.

• MEMORY BOARD (BOTTOM VIEW)

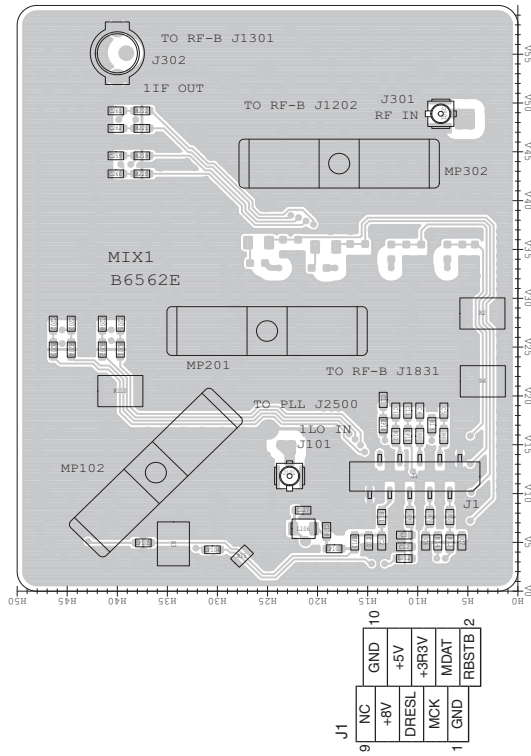


• LOGIC UNIT (BOTTOM VIEW)

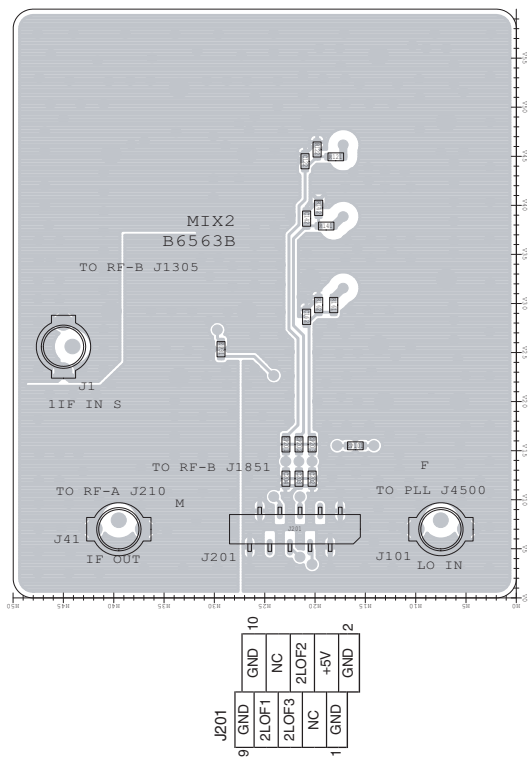


The combination of this side and the bottom side shows the board layout in the same configuration as the actual P.C.Board.

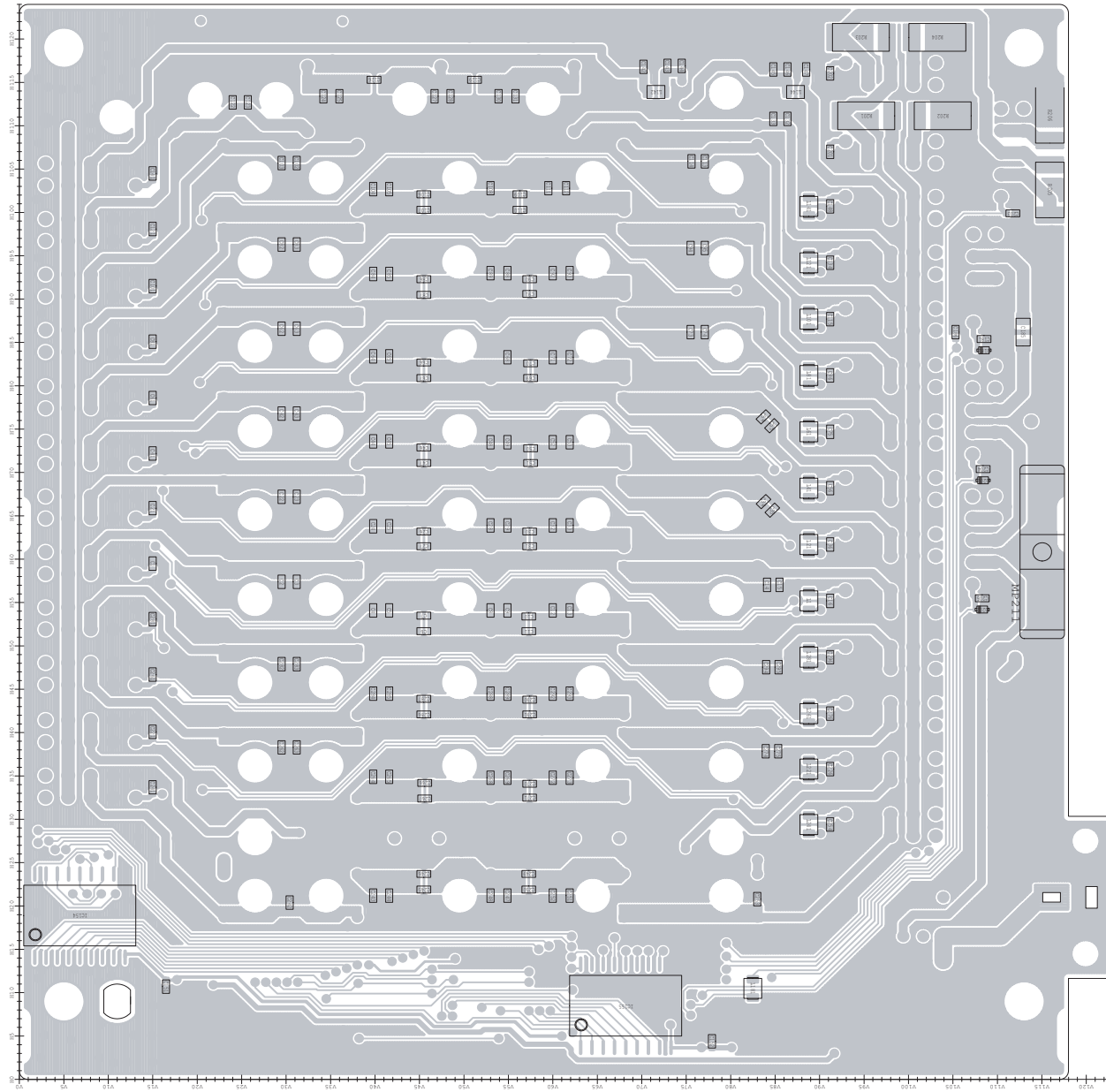
• MIX-1 UNIT (BOTTOM VIEW)



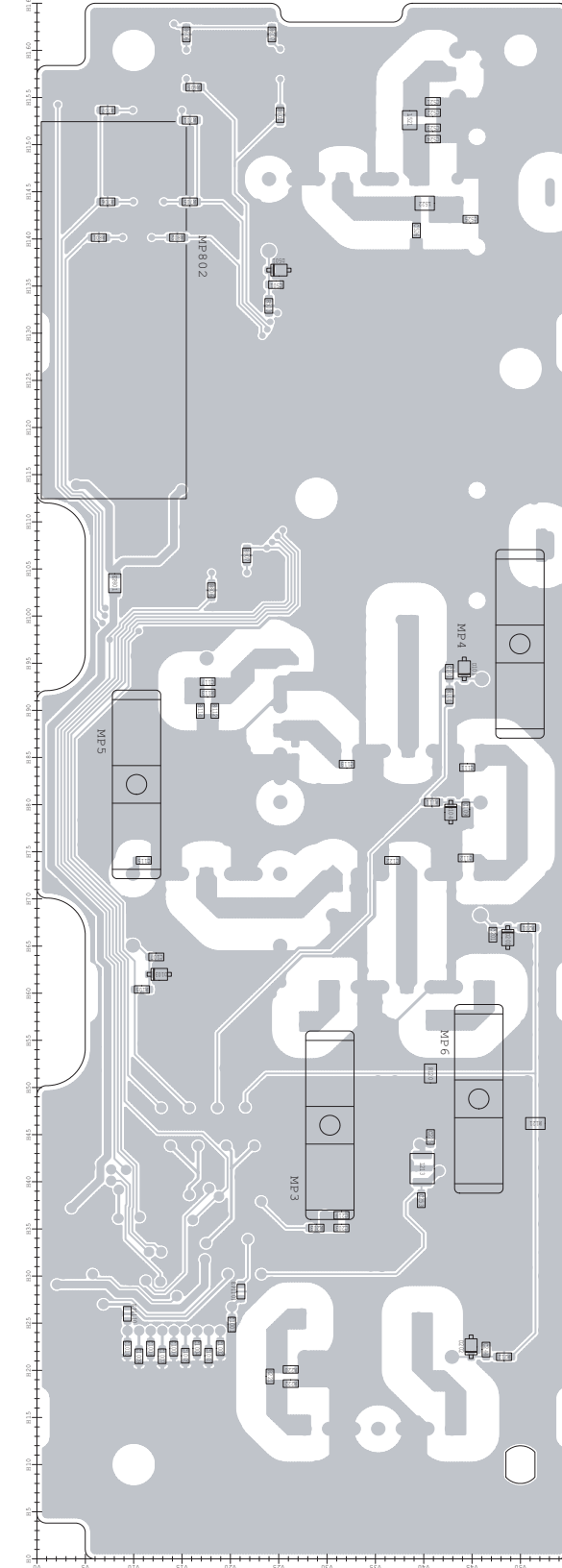
• MIX-2 UNIT (BOTTOM VIEW)



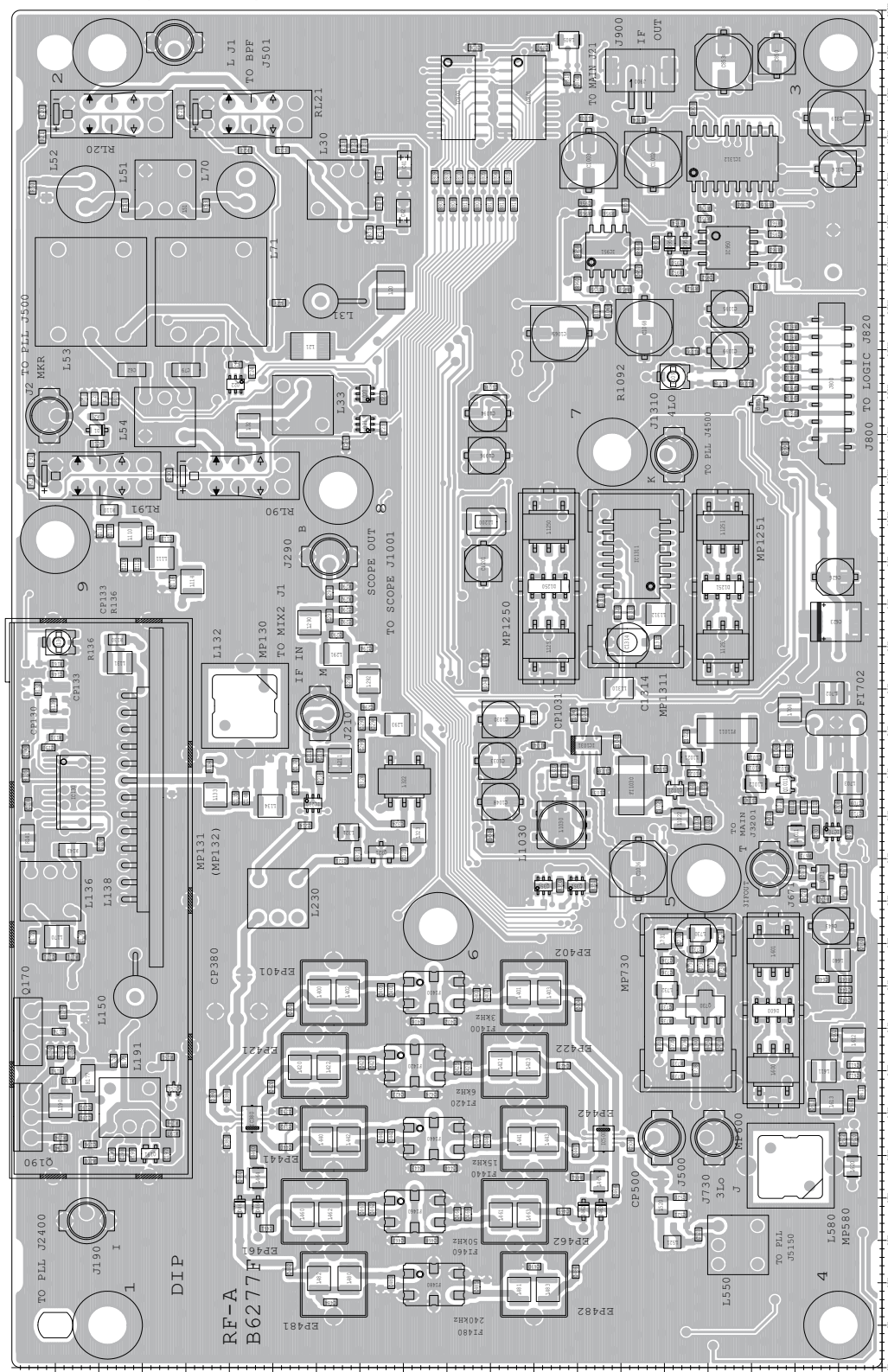
• BPF UNIT (BOTTOM VIEW)



• ANT UNIT (BOTTOM VIEW)



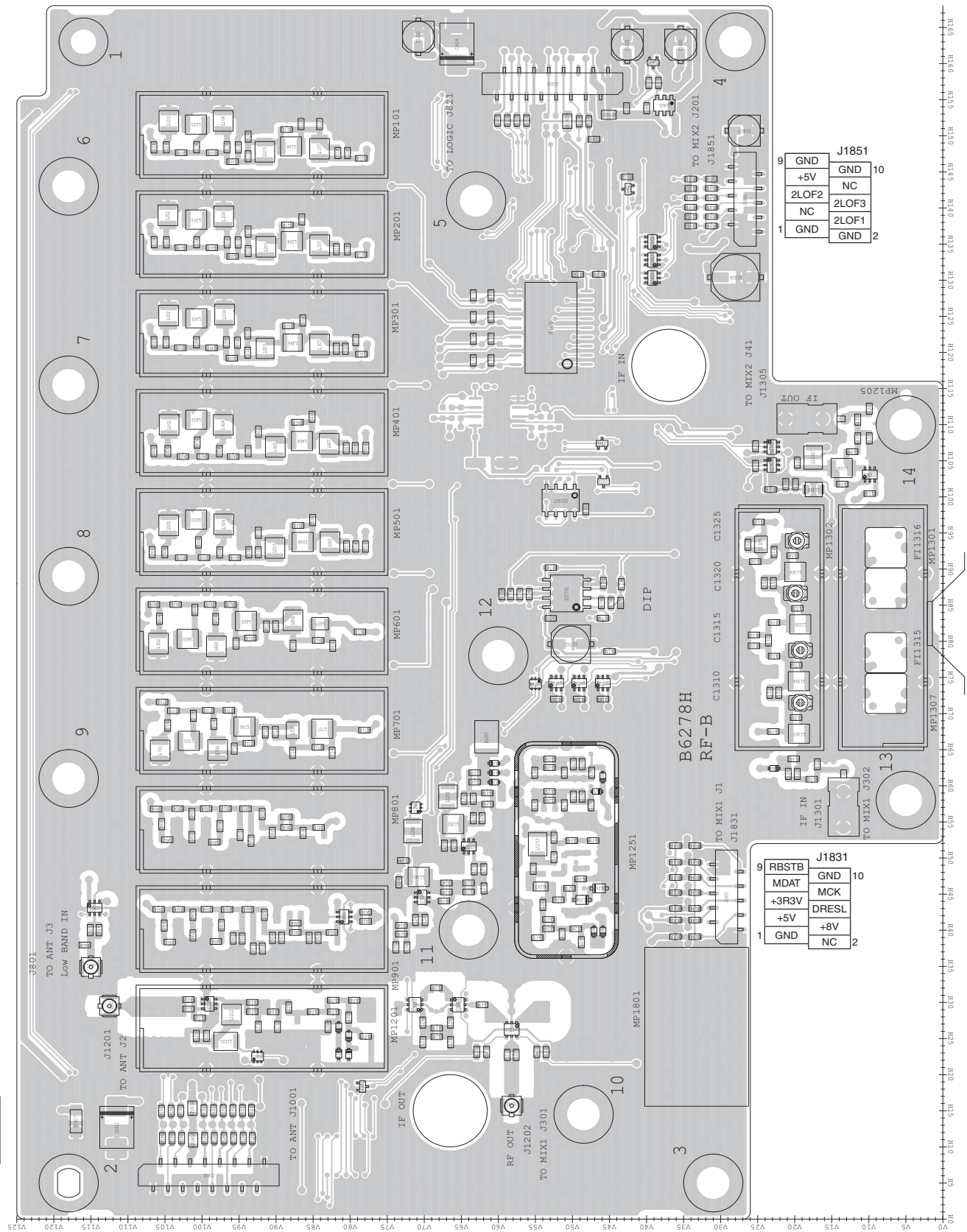
• RF-A UNIT (TOP VIEW)



15	RASTB	GND	16
	MCK	MDAT	
	GND	DRESL	
	AGCIA	CENTV	
	+3R3V	AGCOA	
	-12V	NC	
	+15V	NC	
1	GND	NC	2
		+15V	

2	VB10	GND	1
	VUANT0	VB11	
	+10V	NC	
	+3R3V	NC	
	VUANT10	VUPR2	
	VUJPR1	VUANT20	
	+5VA	2GAT	
16	GND	NC	15

• RF-B UNIT (TOP VIEW)



15	RBSTB	GND	16
	MCK	MDAT	
	GND	DRESL	
	NC	NC	
	+3R3V	HPFV	
	-12V	NC	
	+15V	NC	
1	GND	+28V	2
		+15V	

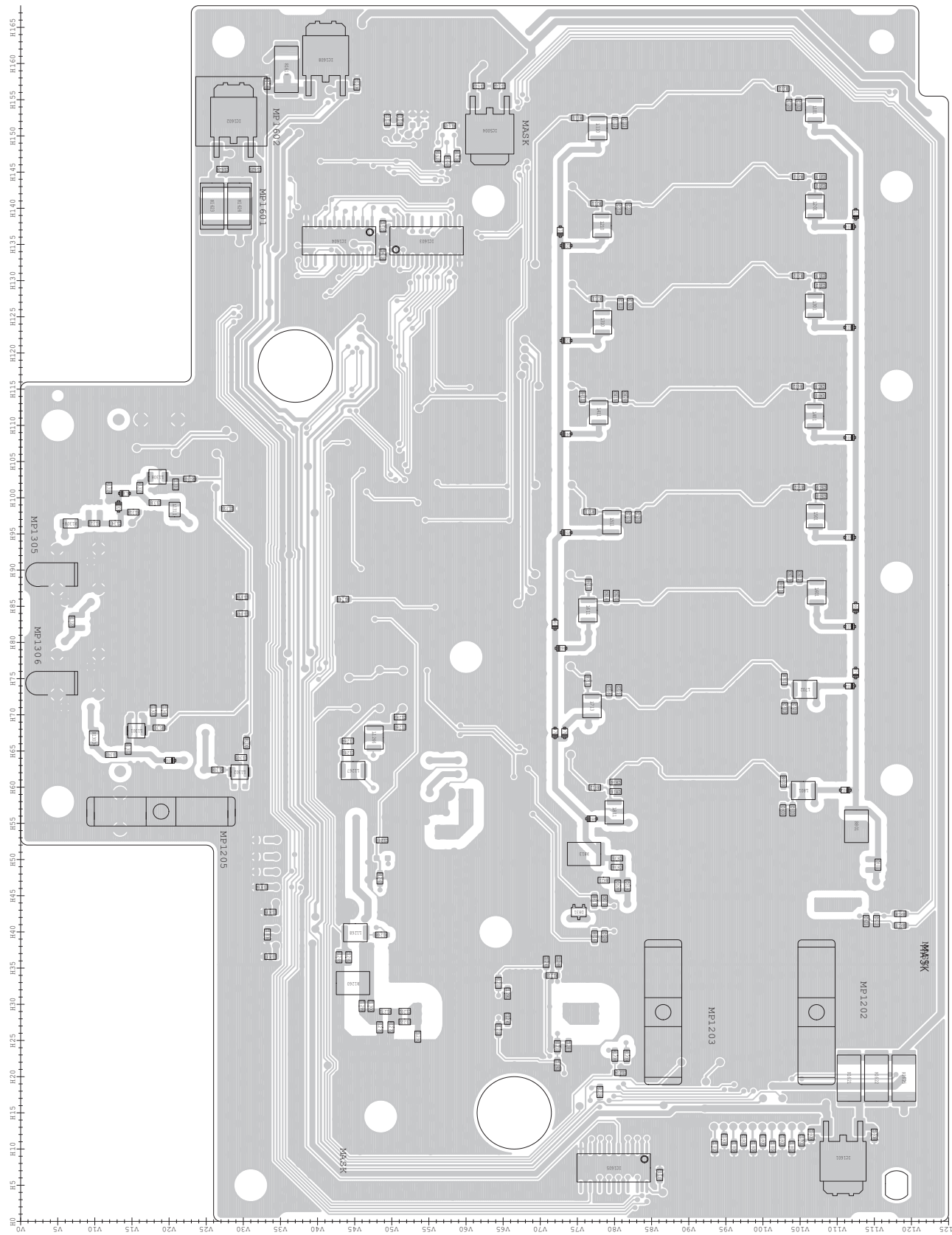
9	GND	J1851	10
	+5V	NC	
	2LOF2	2LOF3	
	NC	2LOF1	
1	GND	GND	2

9	RBSTB	J1831	10
	MDAT	GND	
	+3R3V	MCK	
	+5V	DRESL	
1	GND	+8V	2
		NC	

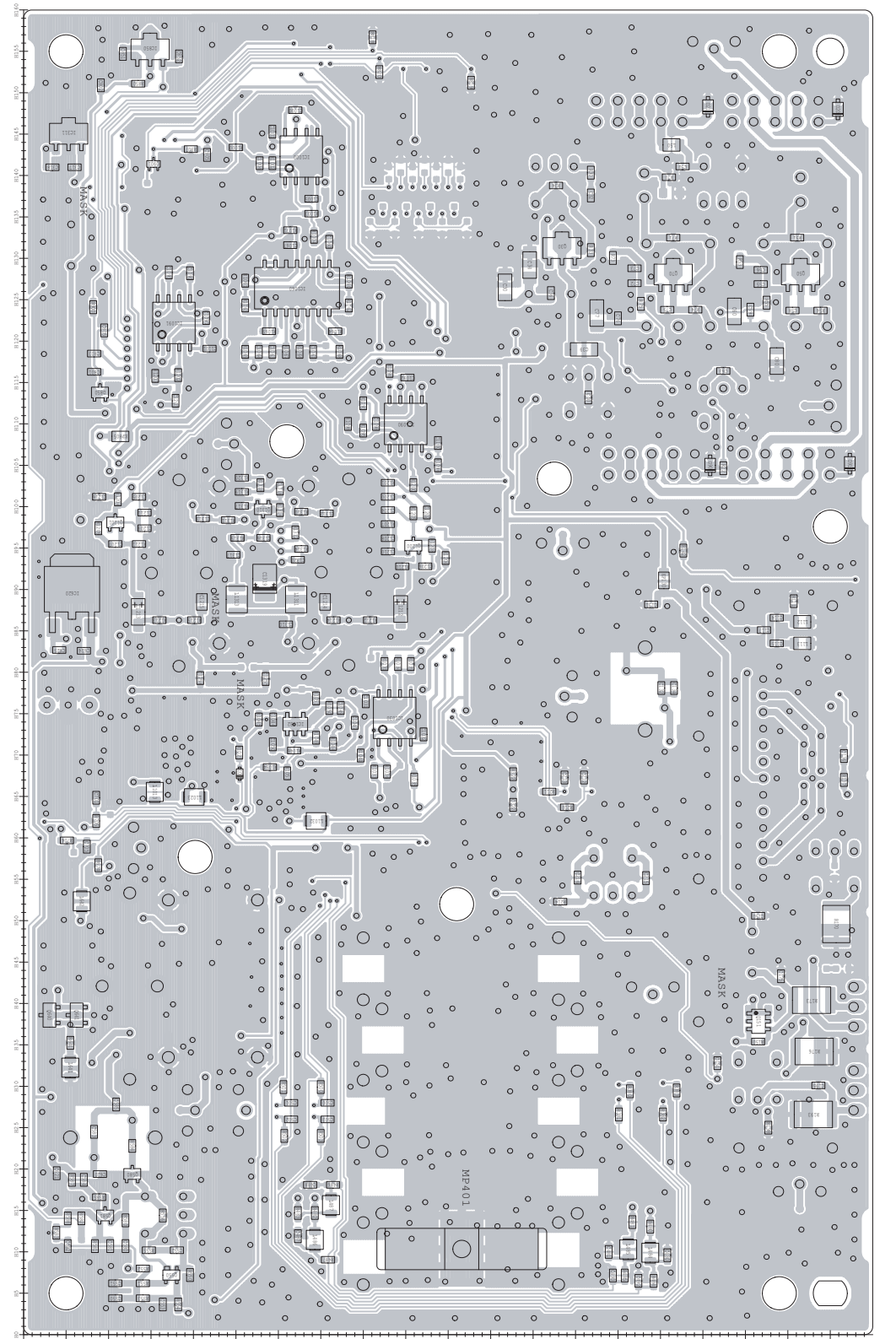
The combination of this side and the bottom side shows the board layout in the same configuration as the actual P.C.Board.

The combination of this side and the bottom side shows the board layout in the same configuration as the actual P.C.Board.

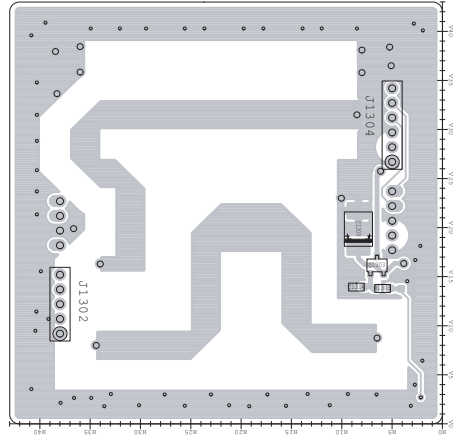
• RF-B UNIT (BOTTOM VIEW)



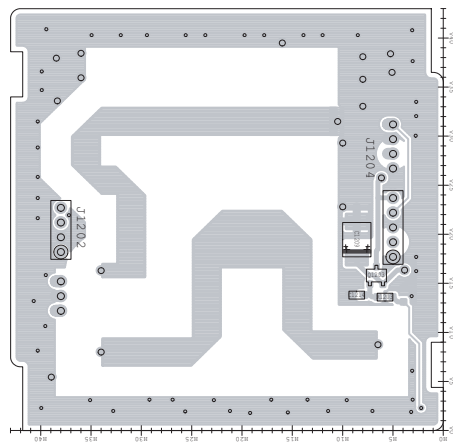
• RF-A UNIT (BOTTOM VIEW)



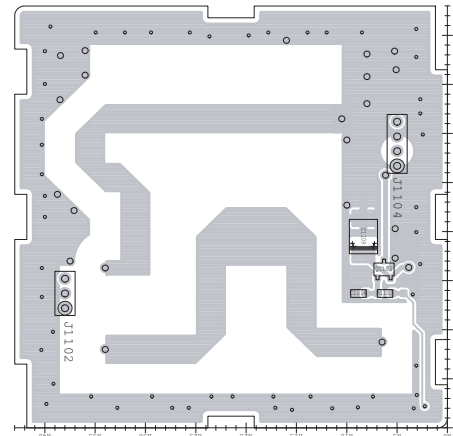
• VCO-A BOARD (BOTTOM VIEW)



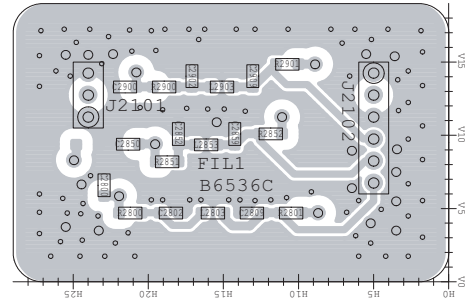
• VCO-B BOARD (BOTTOM VIEW)



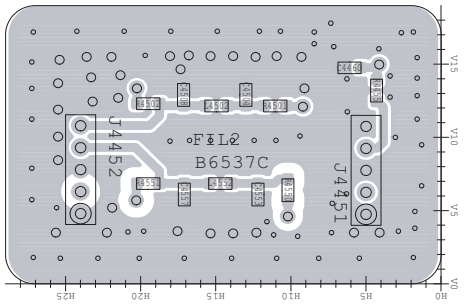
• VCO-C BOARD (BOTTOM VIEW)



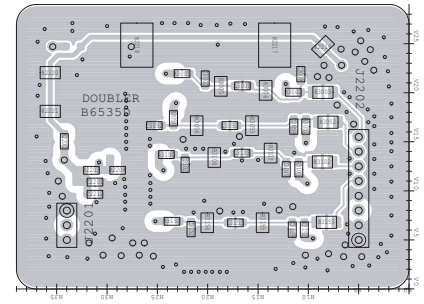
• FIL-1 BOARD (BOTTOM VIEW)



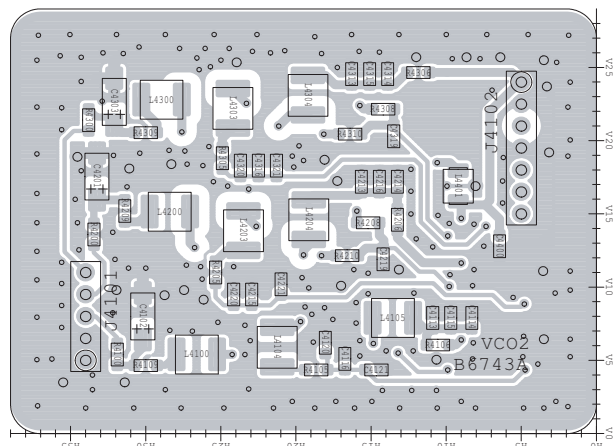
• FIL-2 BOARD (BOTTOM VIEW)



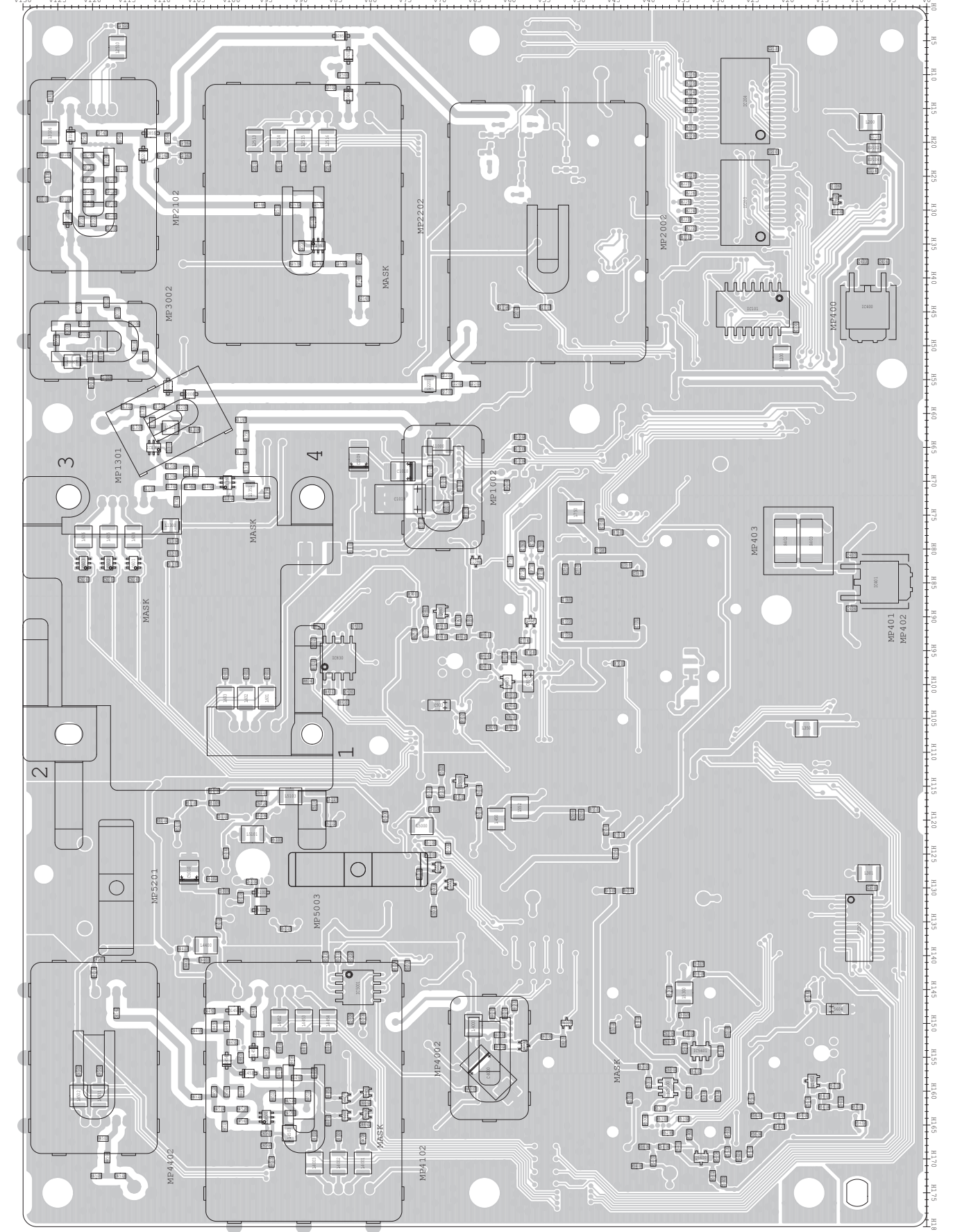
• DOUBLER BOARD (BOTTOM VIEW)



• VCO2 BOARD (BOTTOM VIEW)

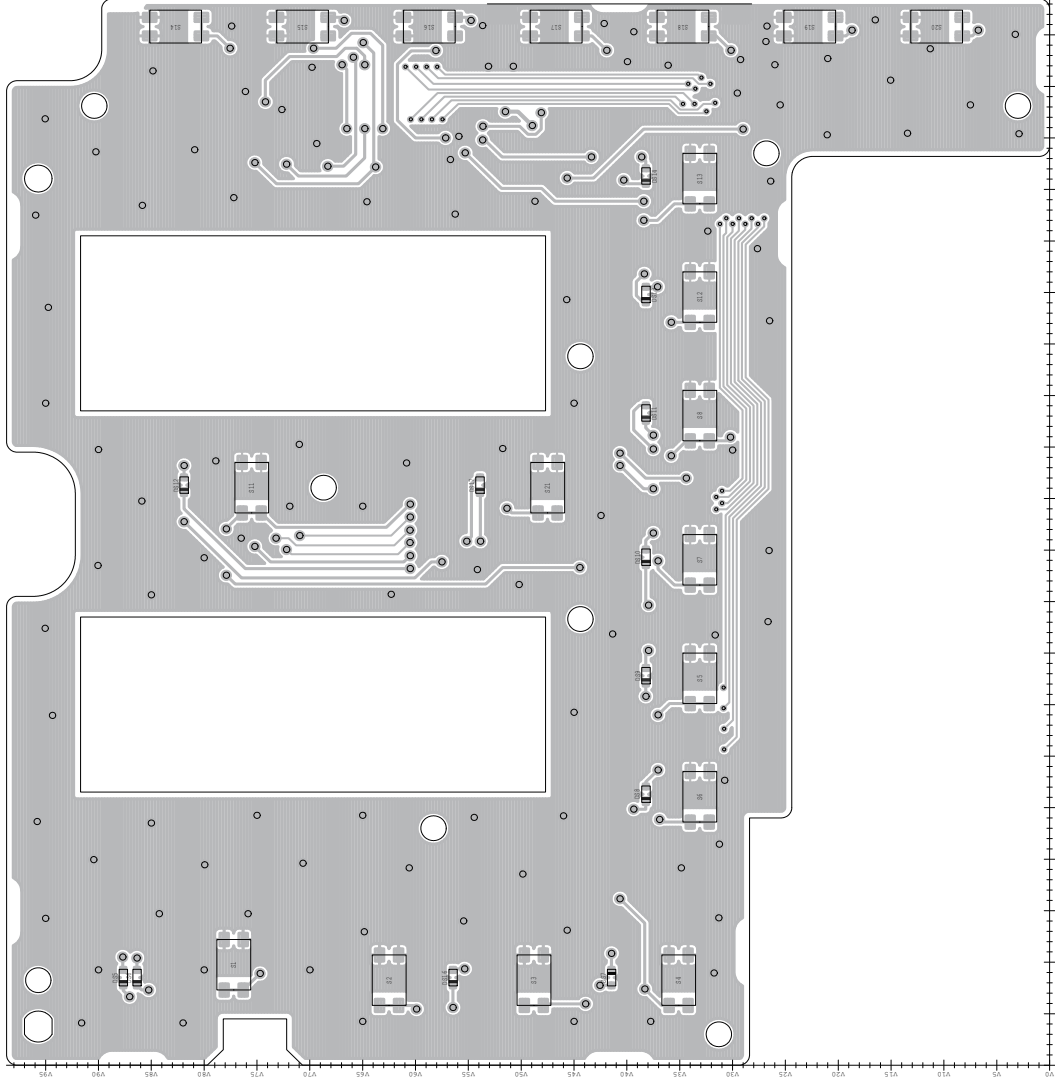


• PLL UNIT (BOTTOM VIEW)

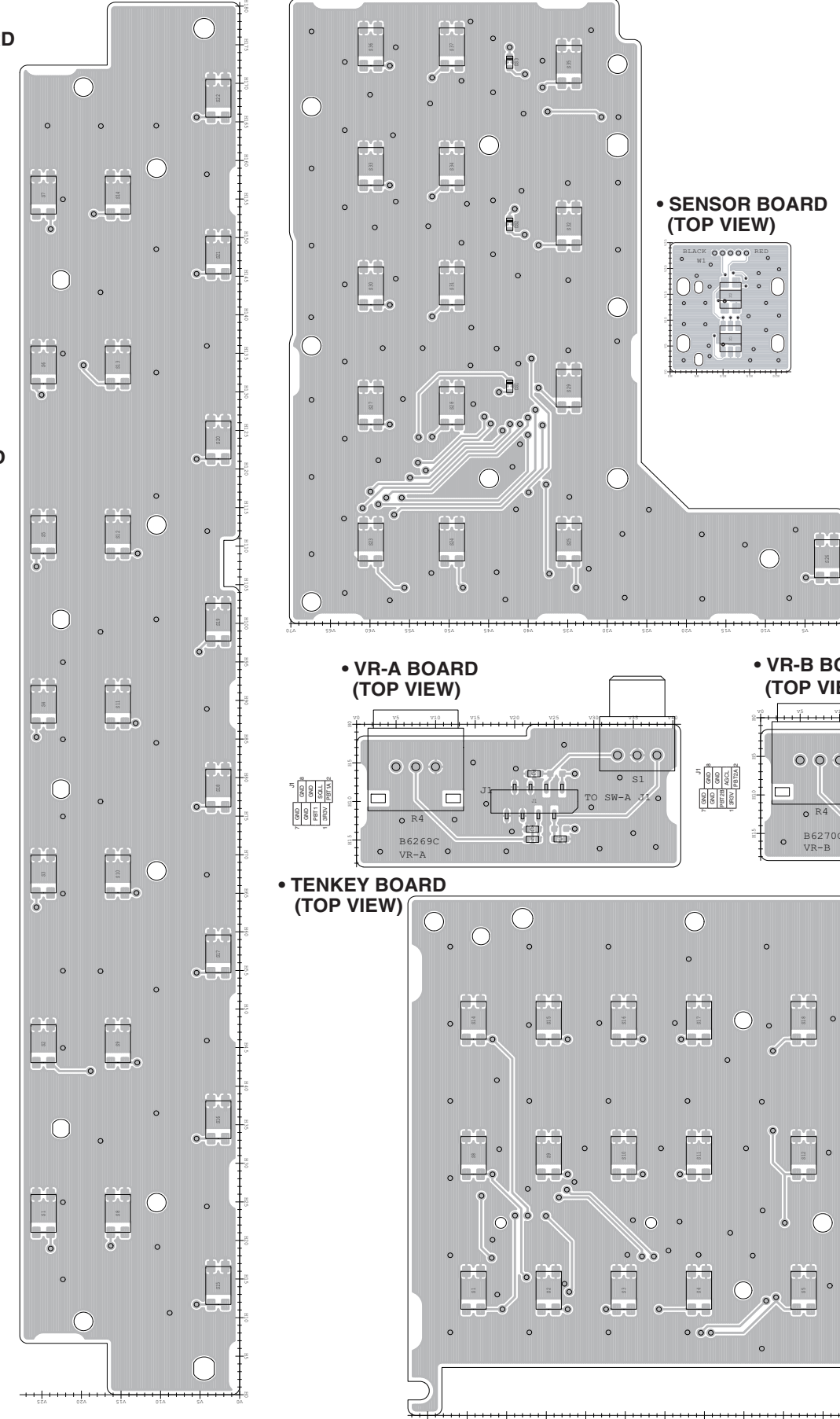


The combination of this side and the bottom side shows the board layout in the same configuration as the actual P.C.Board.

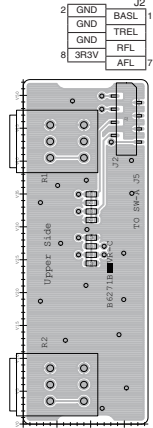
• SW-A BOARD (TOP VIEW)



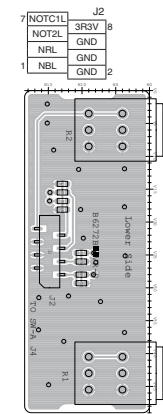
• SW-B BOARD (TOP VIEW) • SW-C BOARD (TOP VIEW)



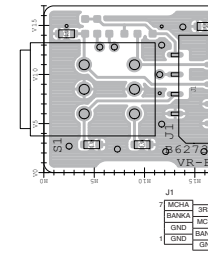
• VR-C BOARD (TOP VIEW)



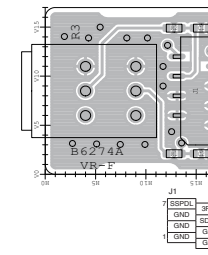
• VR-D BOARD (TOP VIEW)



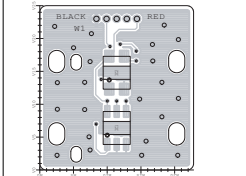
• VR-E BOARD (TOP VIEW)



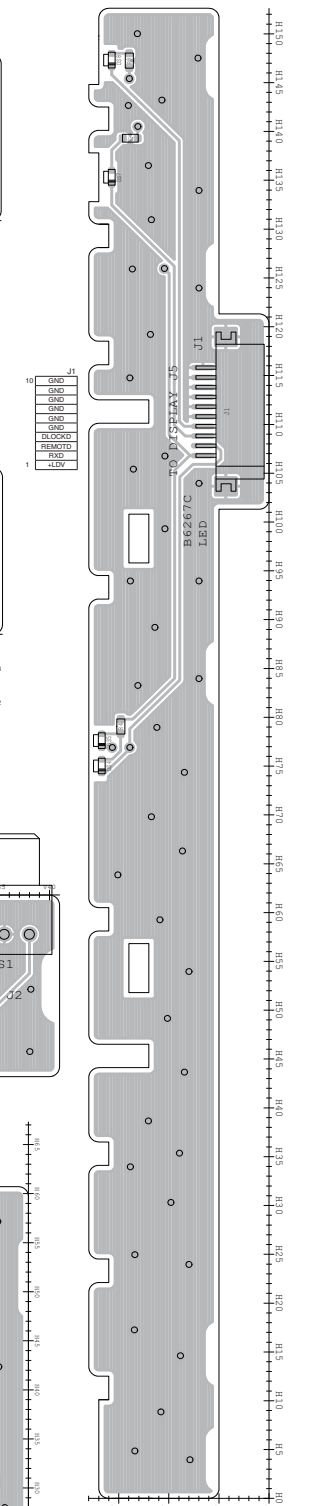
• VR-F BOARD (TOP VIEW)



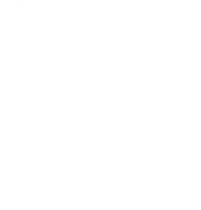
• SENSOR BOARD (TOP VIEW)



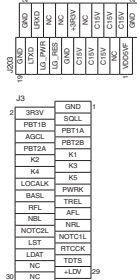
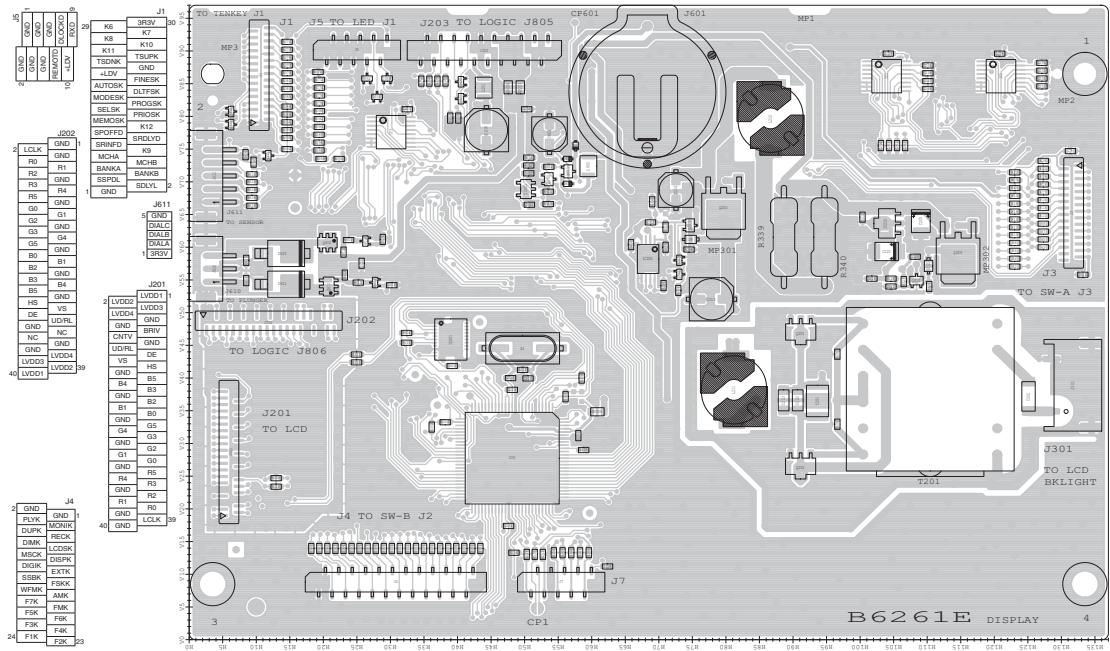
The combination of this side and the bottom side shows the board layout in the same configuration as the actual P.C.Board.



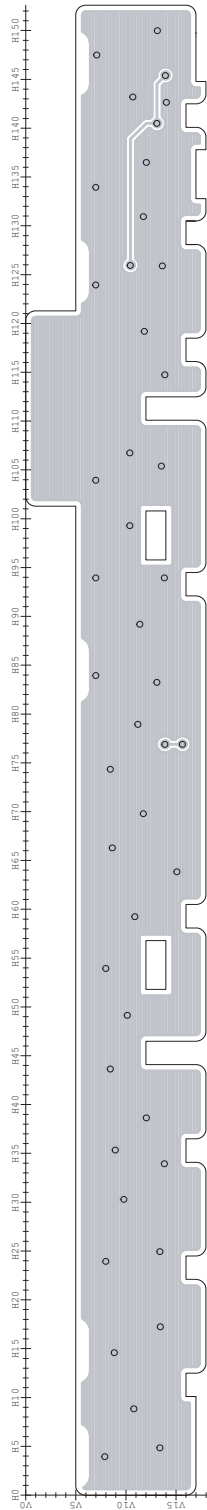
• LED BOARD (TOP VIEW)



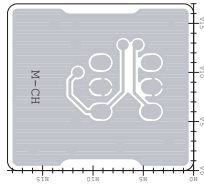
• DISPLAY BOARD (TOP VIEW)



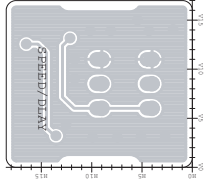
• LED BOARD (BOTTOM VIEW)



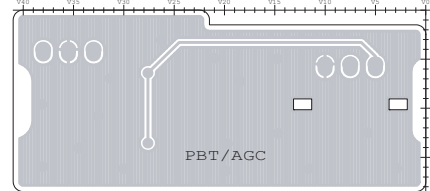
• VR-E BOARD (BOTTOM VIEW)



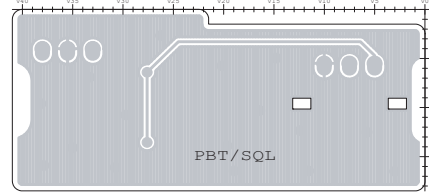
• VR-F BOARD (BOTTOM VIEW)



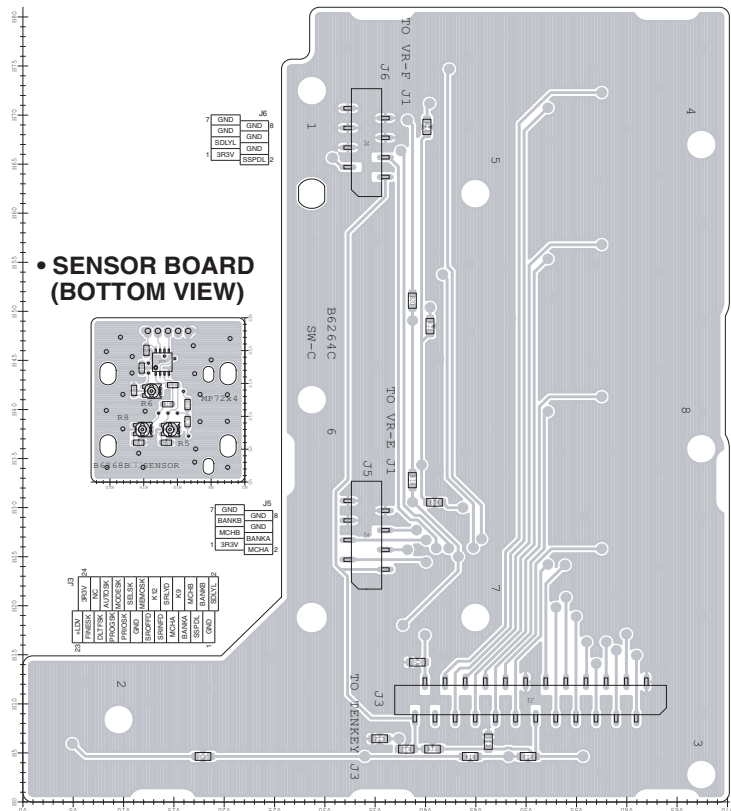
• VR-B BOARD (BOTTOM VIEW)



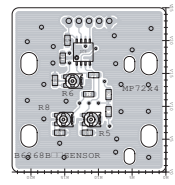
• VR-A BOARD (BOTTOM VIEW)



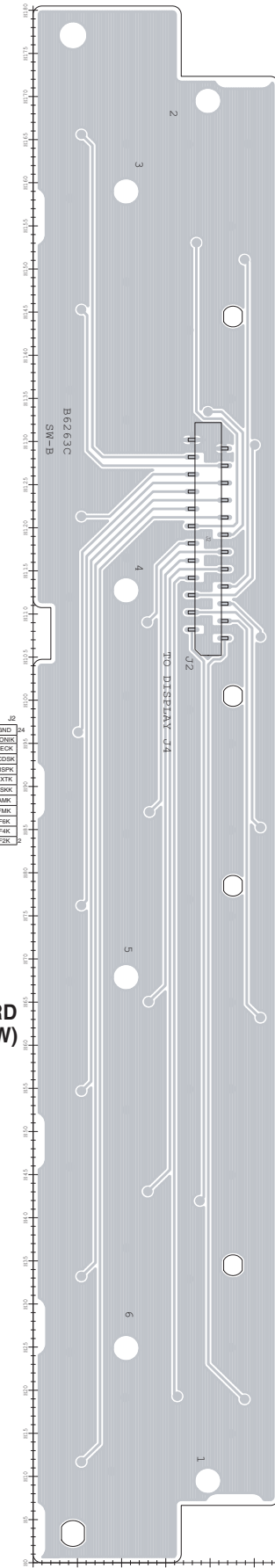
• SW-C BOARD (BOTTOM VIEW)



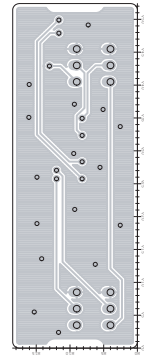
• SENSOR BOARD (BOTTOM VIEW)



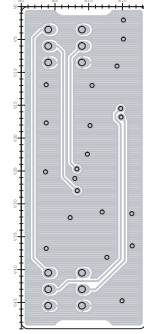
• SW-B BOARD (BOTTOM VIEW)



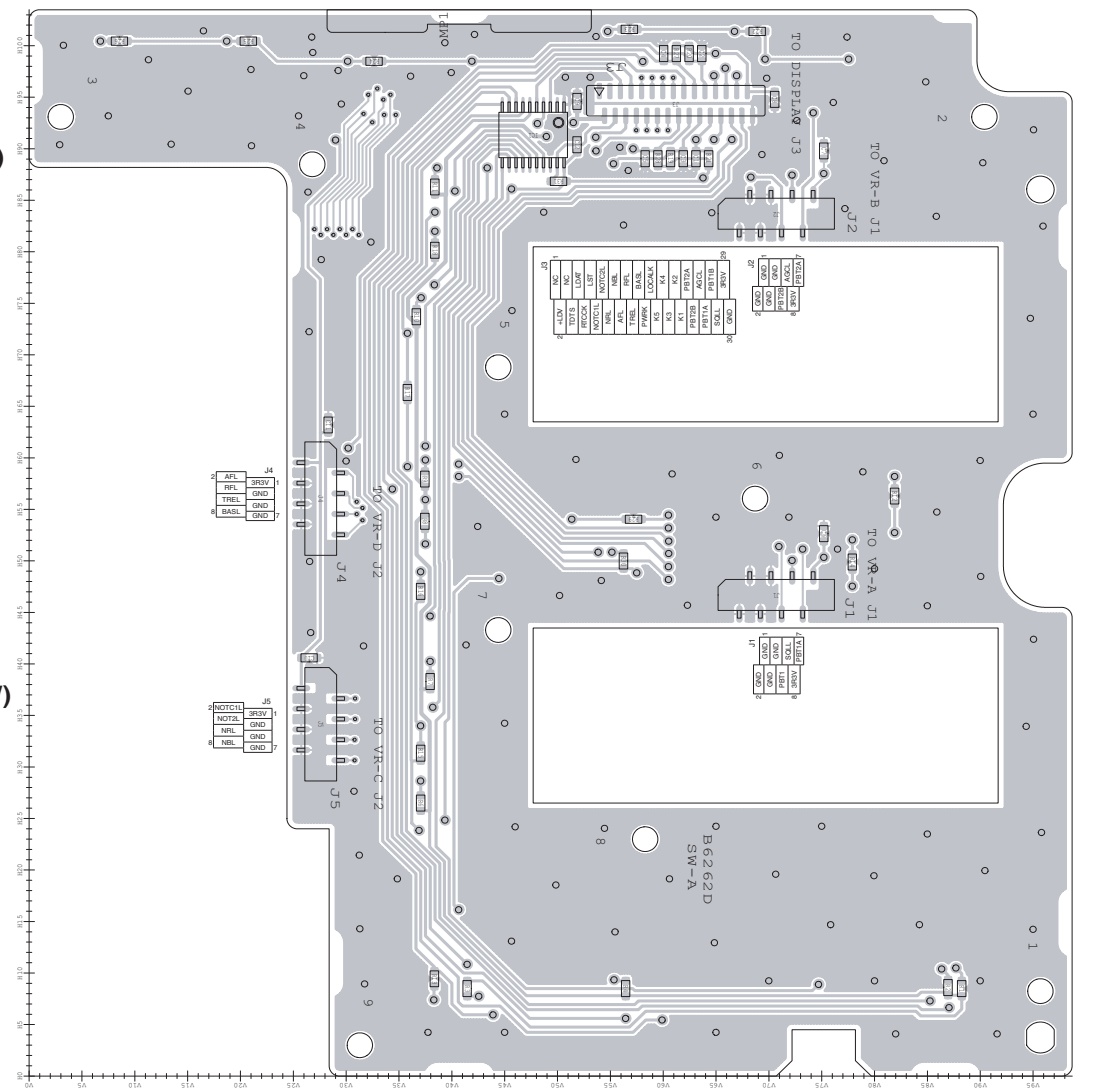
• VR-C BOARD (BOTTOM VIEW)



• VR-D BOARD (BOTTOM VIEW)

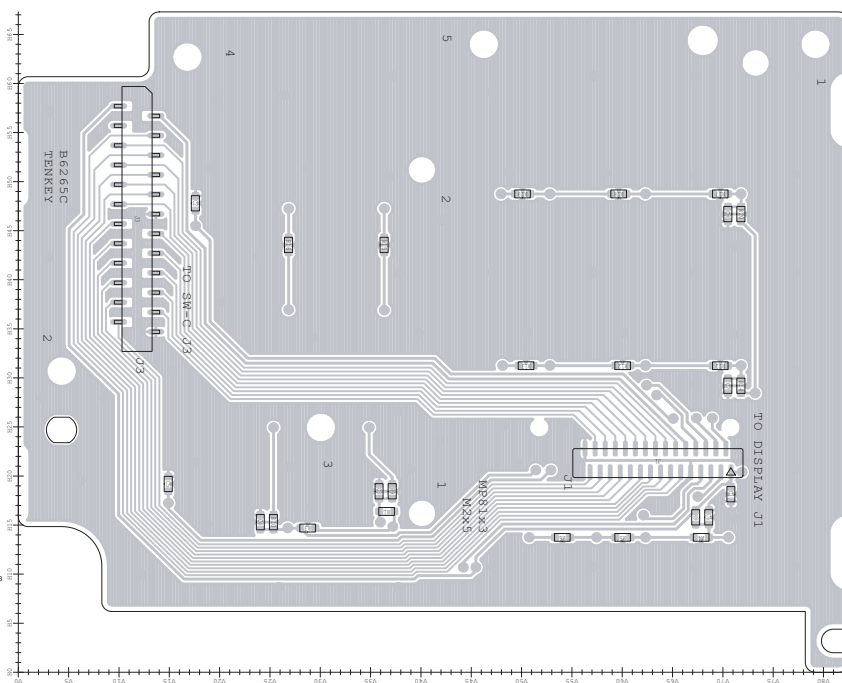


• SW-A BOARD (BOTTOM VIEW)

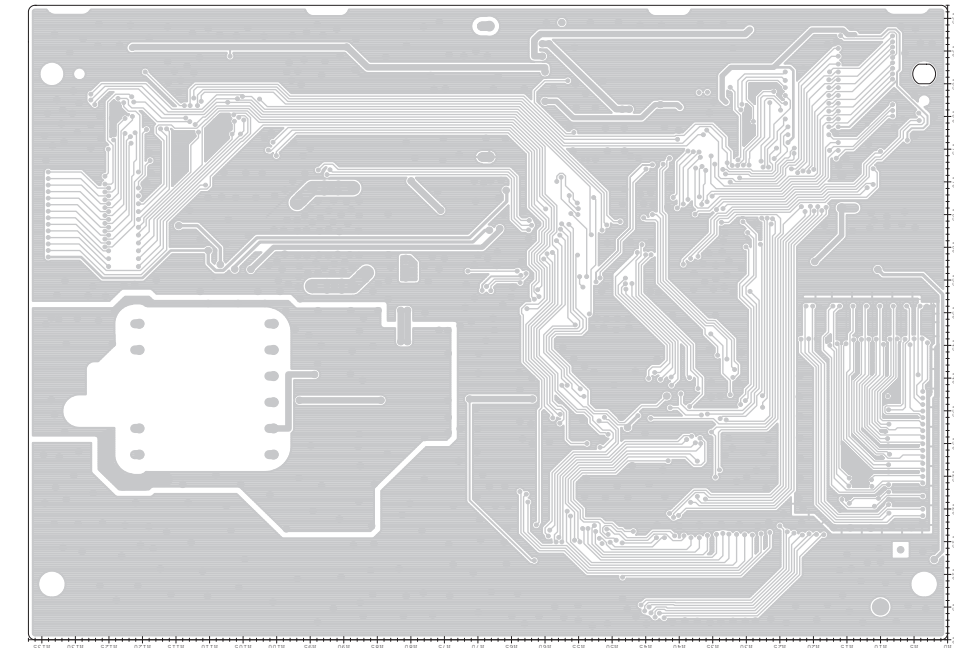


The combination of this side and the bottom side shows the board layout in the same configuration as the actual P.C.Board.

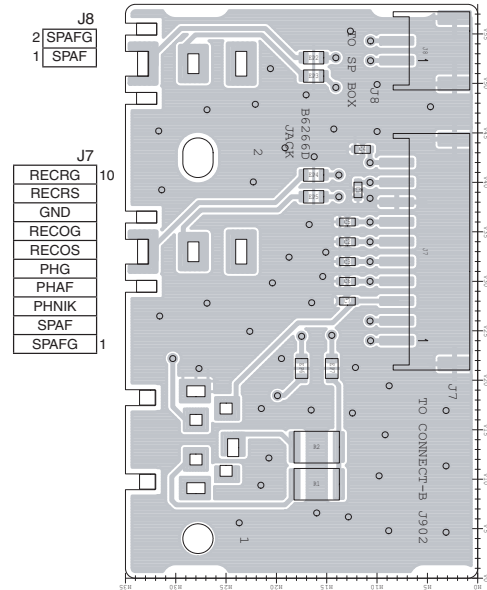
• TENKEY BOARD (BOTTOM VIEW)



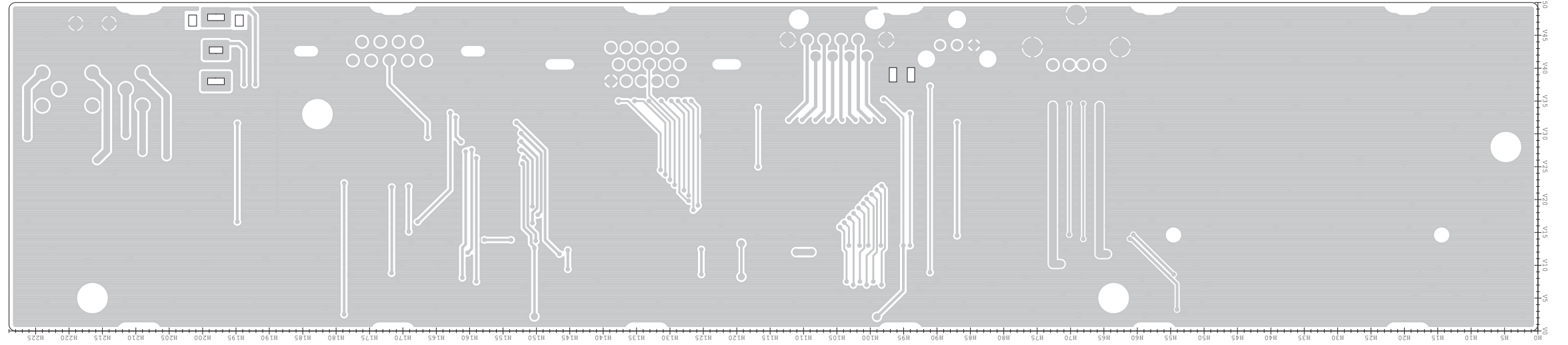
• DISPLAY BOARD (BOTTOM VIEW)



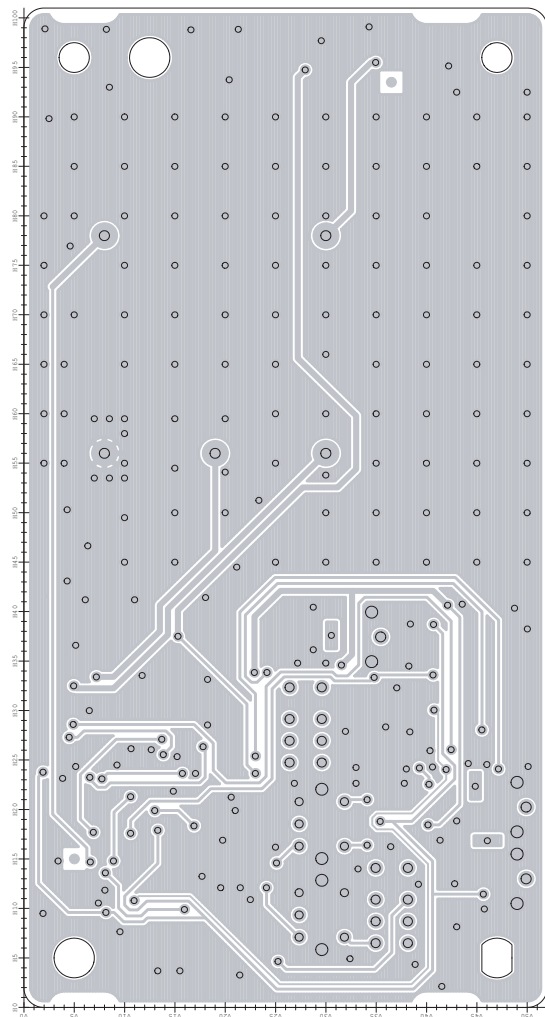
• JACK BOARD (BOTTOM VIEW)



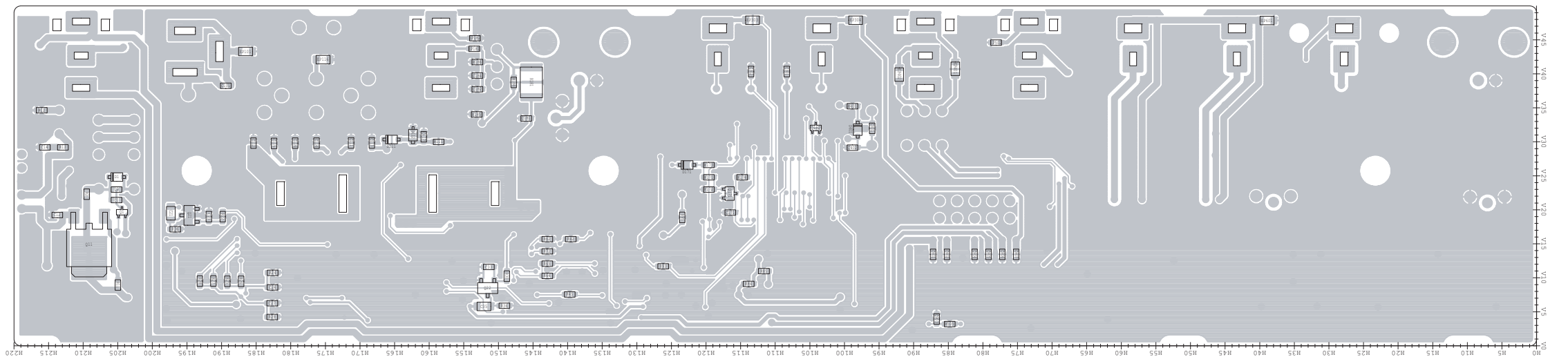
• CONNECT-A UNIT (BOTTOM VIEW)



• OSC UNIT (BOTTOM VIEW)

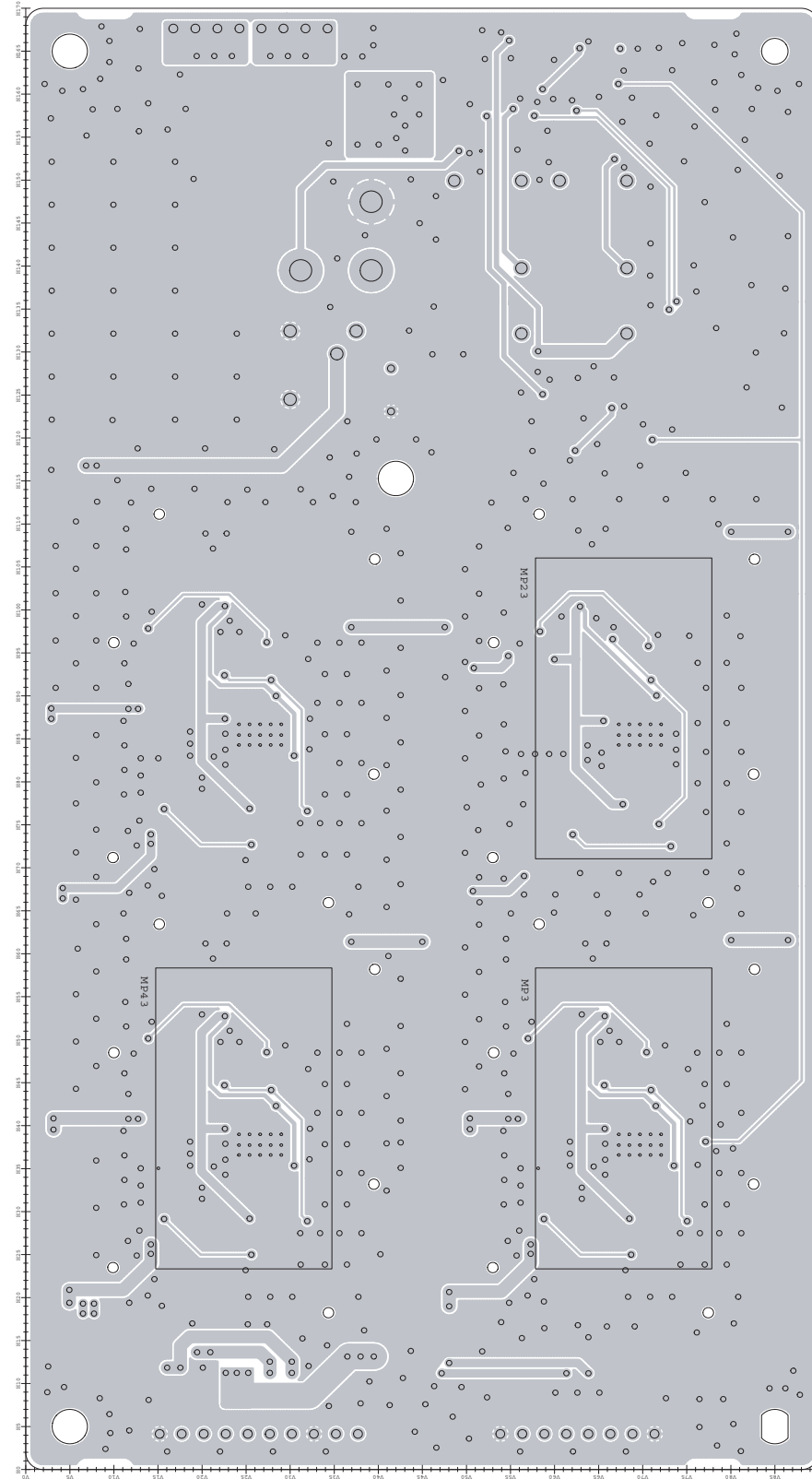


• CONNECT-B UNIT (BOTTOM VIEW)

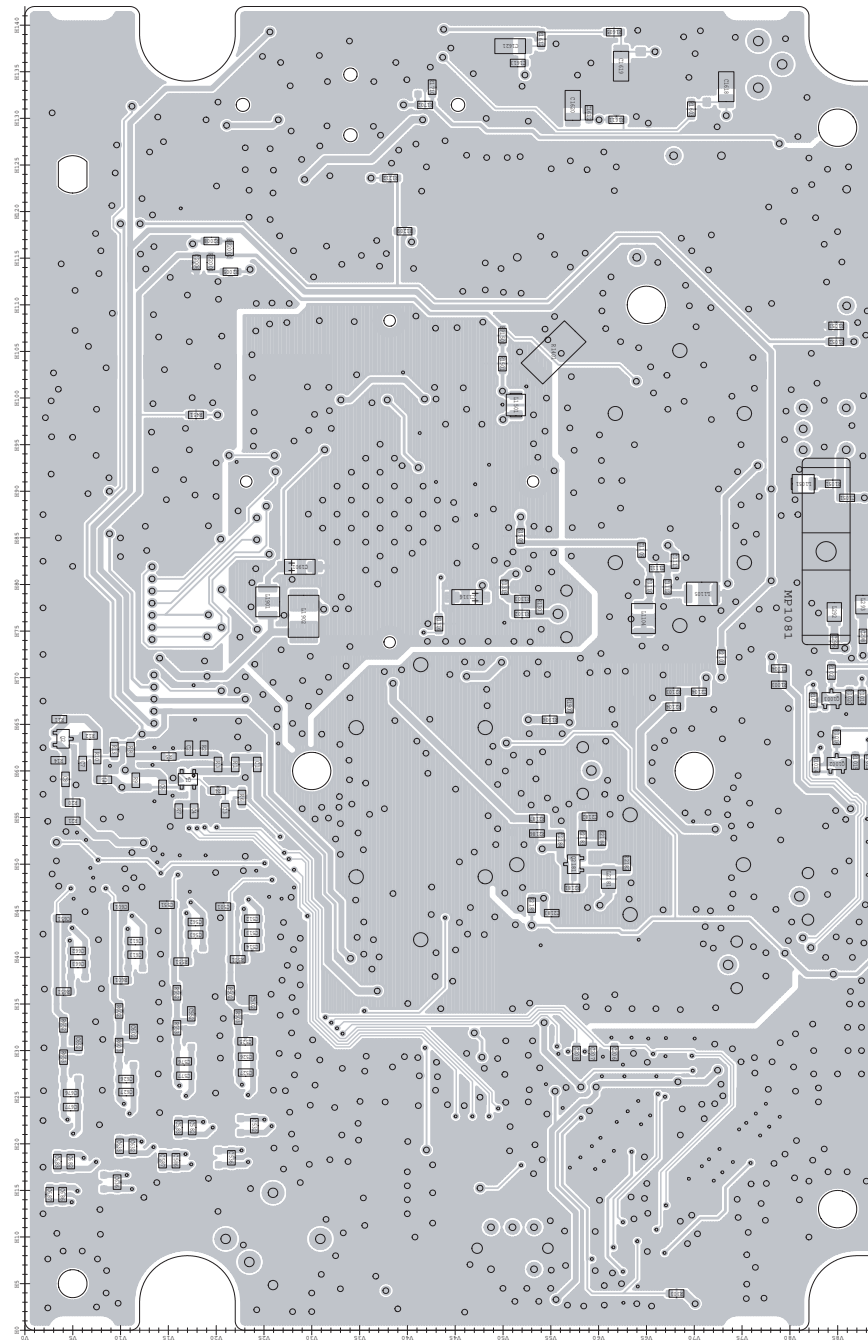


The combination of this side and the bottom side shows the board layout in the same configuration as the actual P.C.Board.

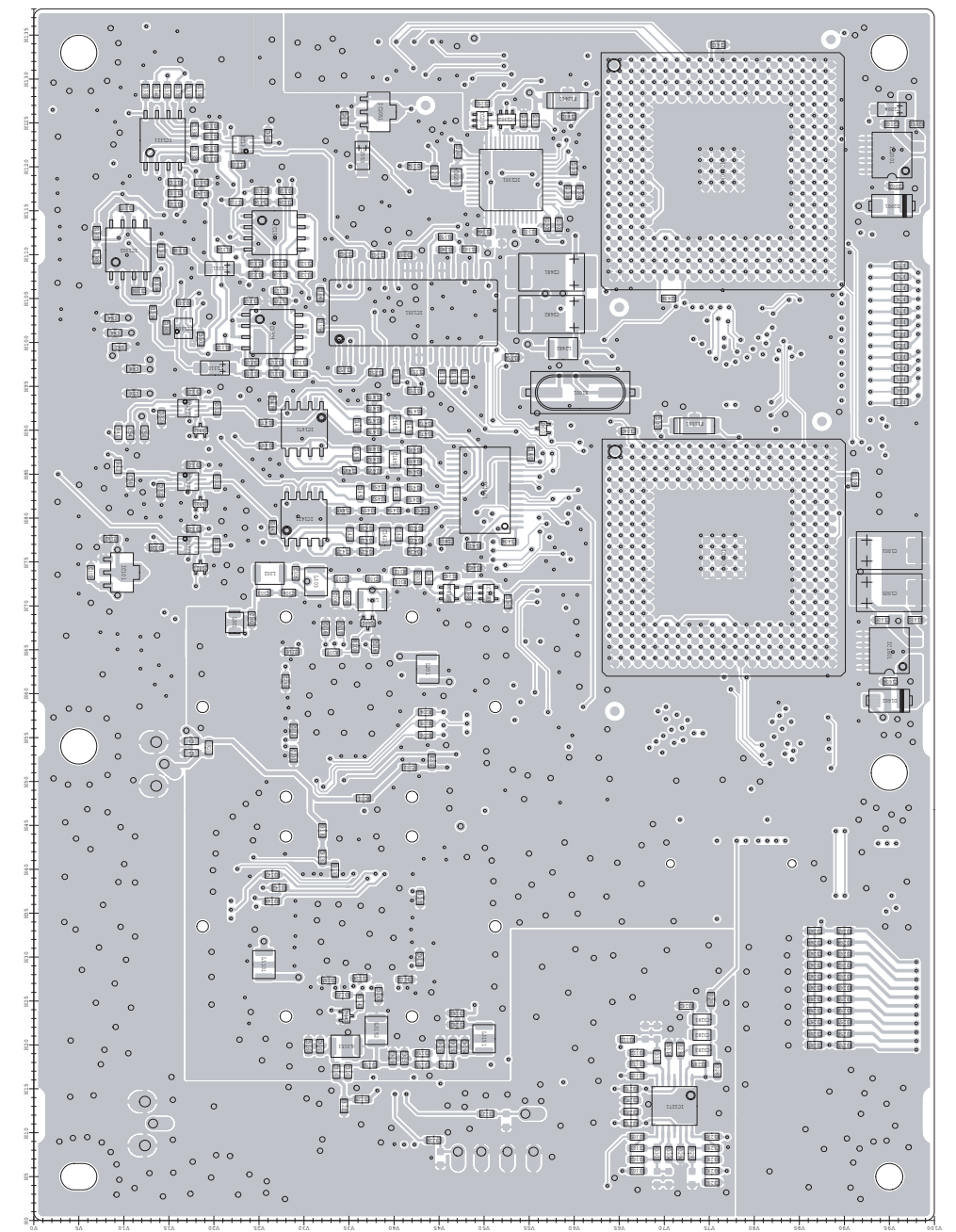
• DC-DC UNIT (BOTTOM VIEW)



• SCOPE/TV UNIT (BOTTOM VIEW)

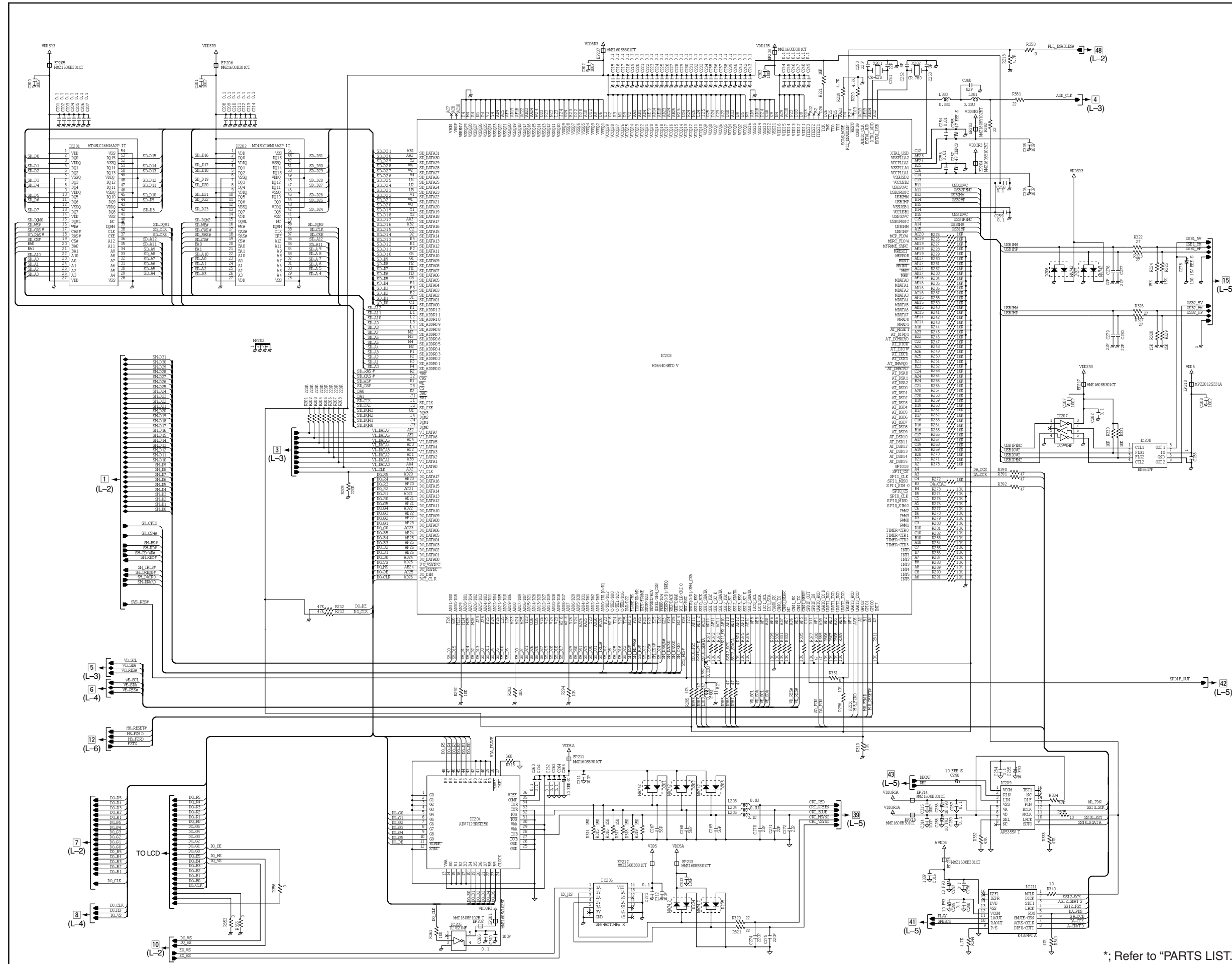


• MAIN UNIT (BOTTOM VIEW)

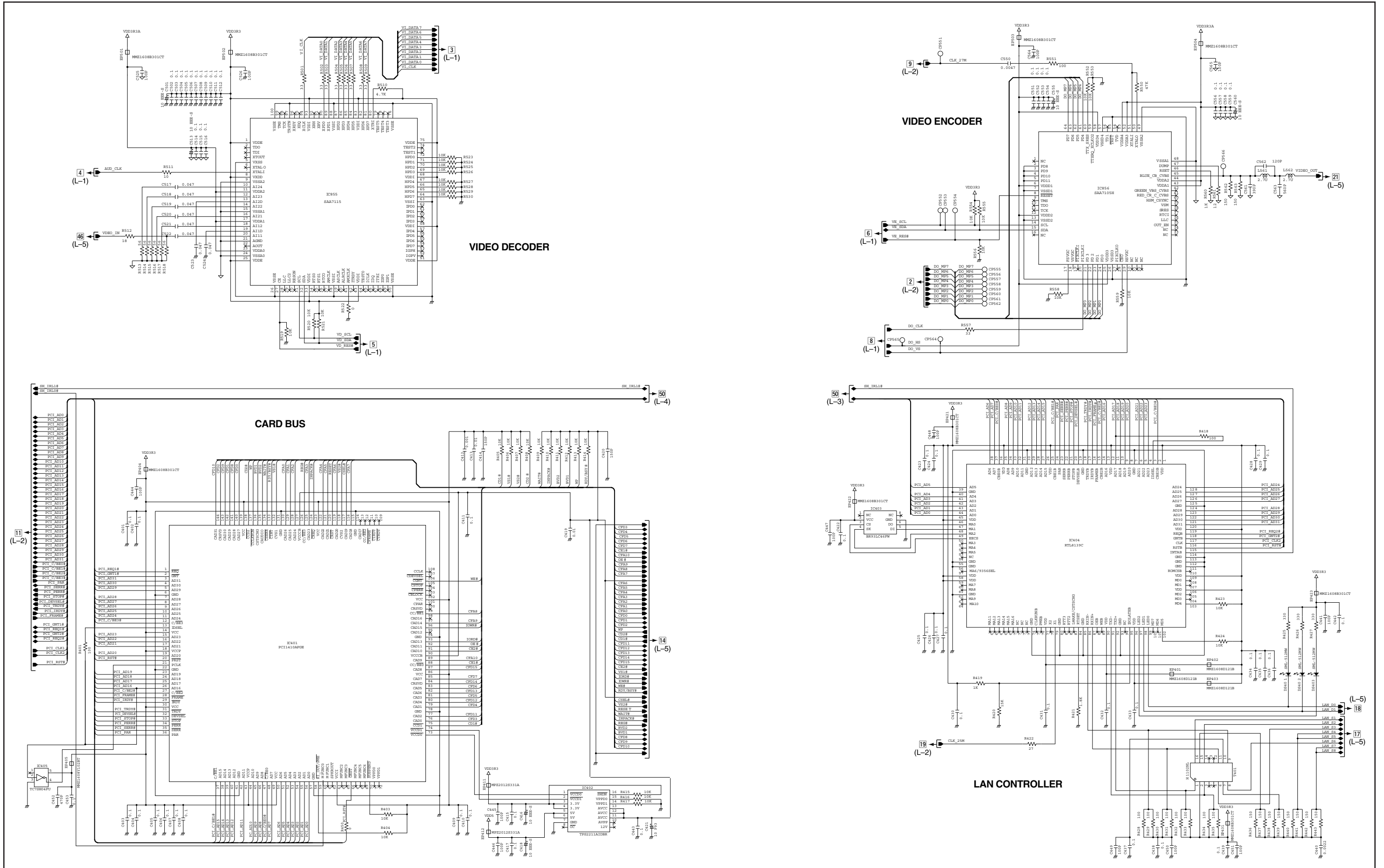


SCHEMATIC DIAGRAMS

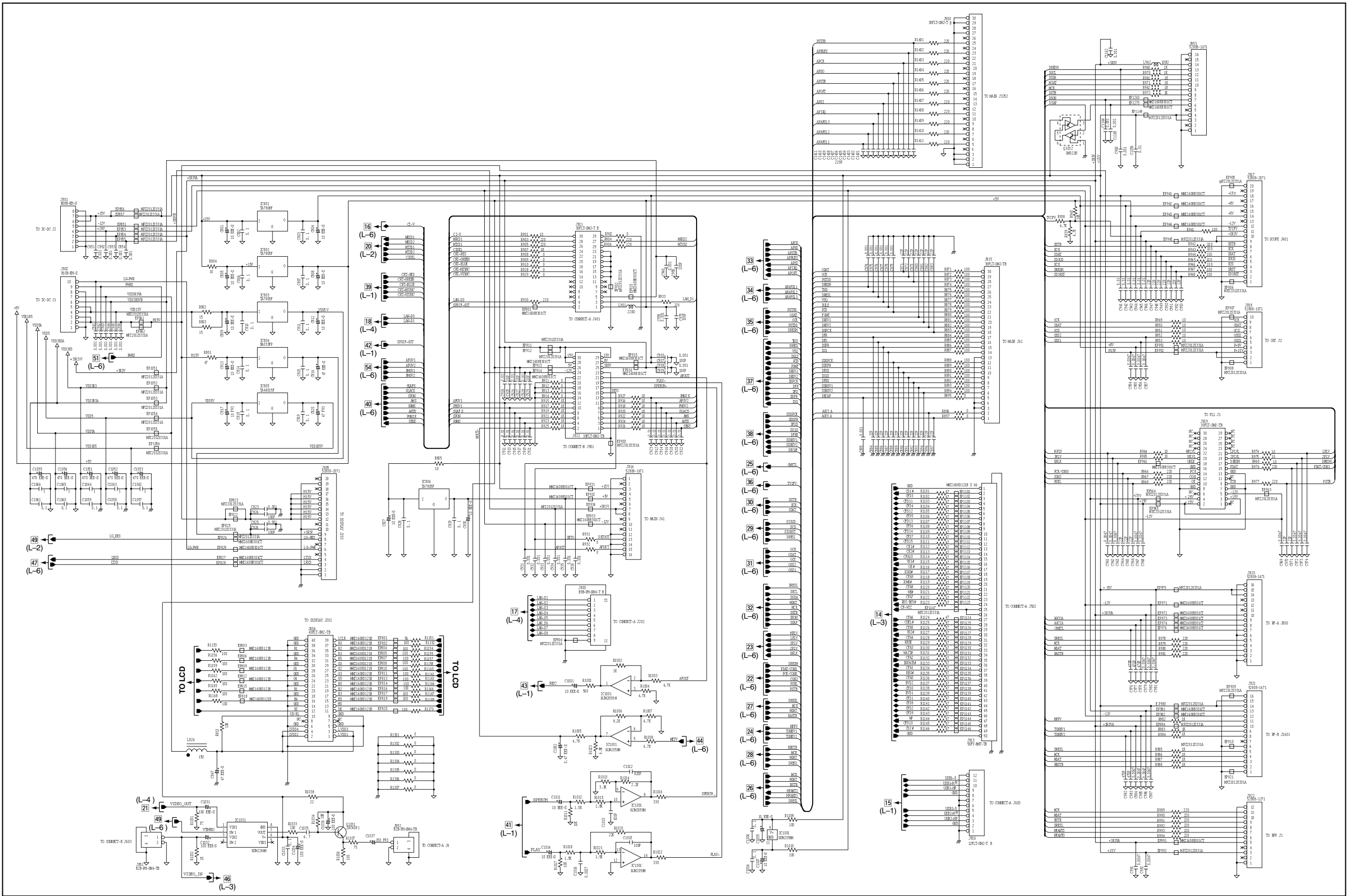
• LOGIC UNIT (1)



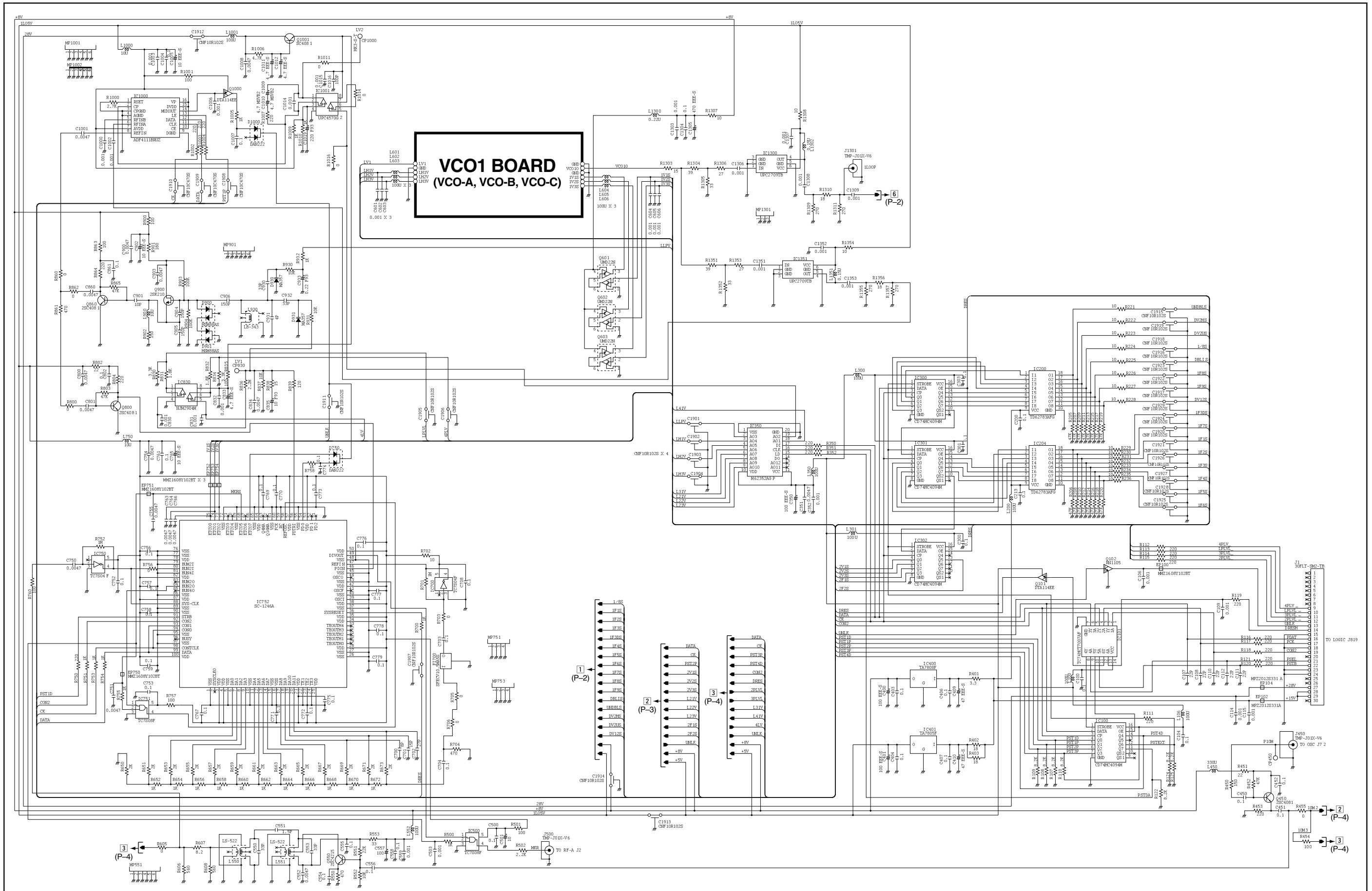
• LOGIC UNIT (3)



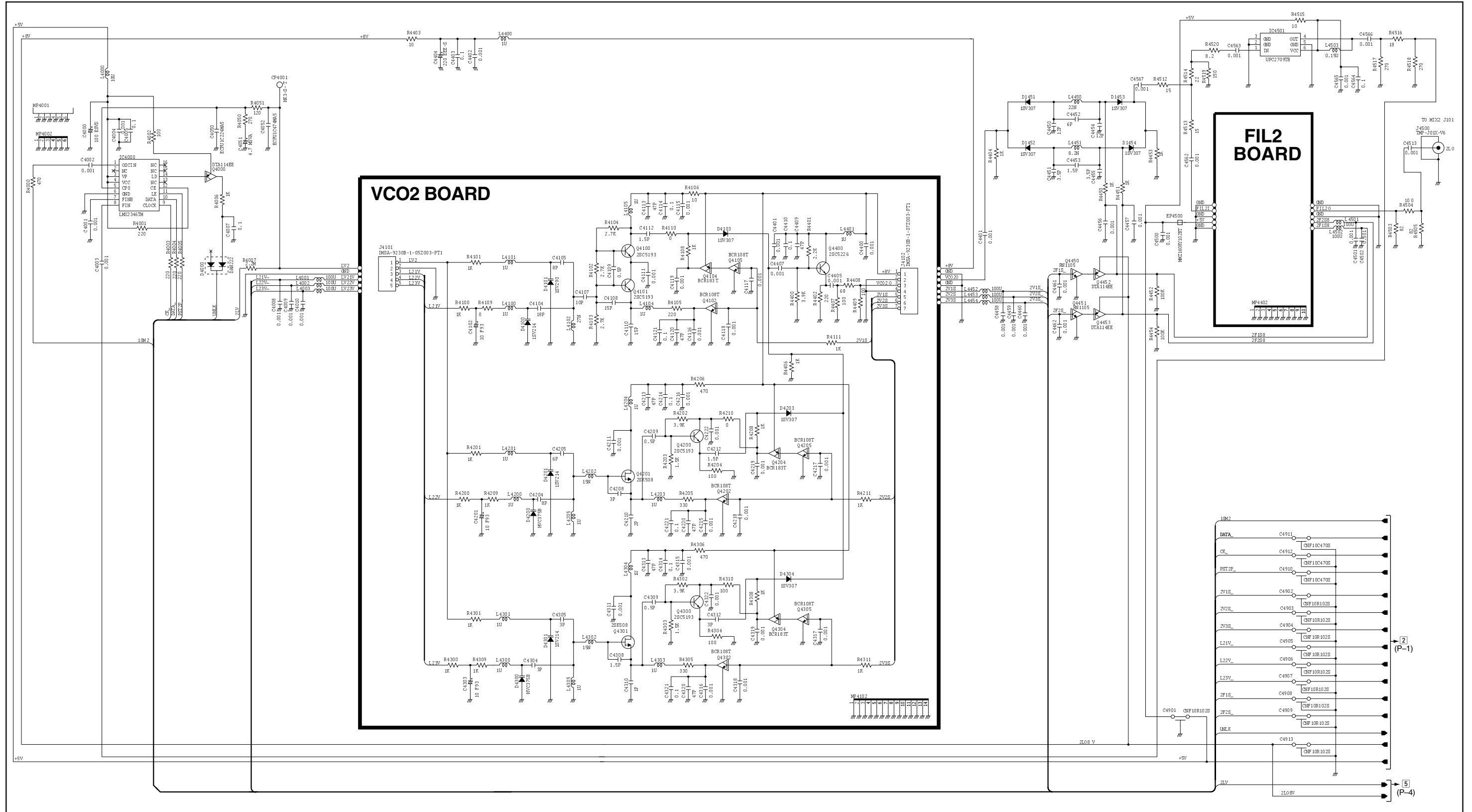
• LOGIC UNIT (4)



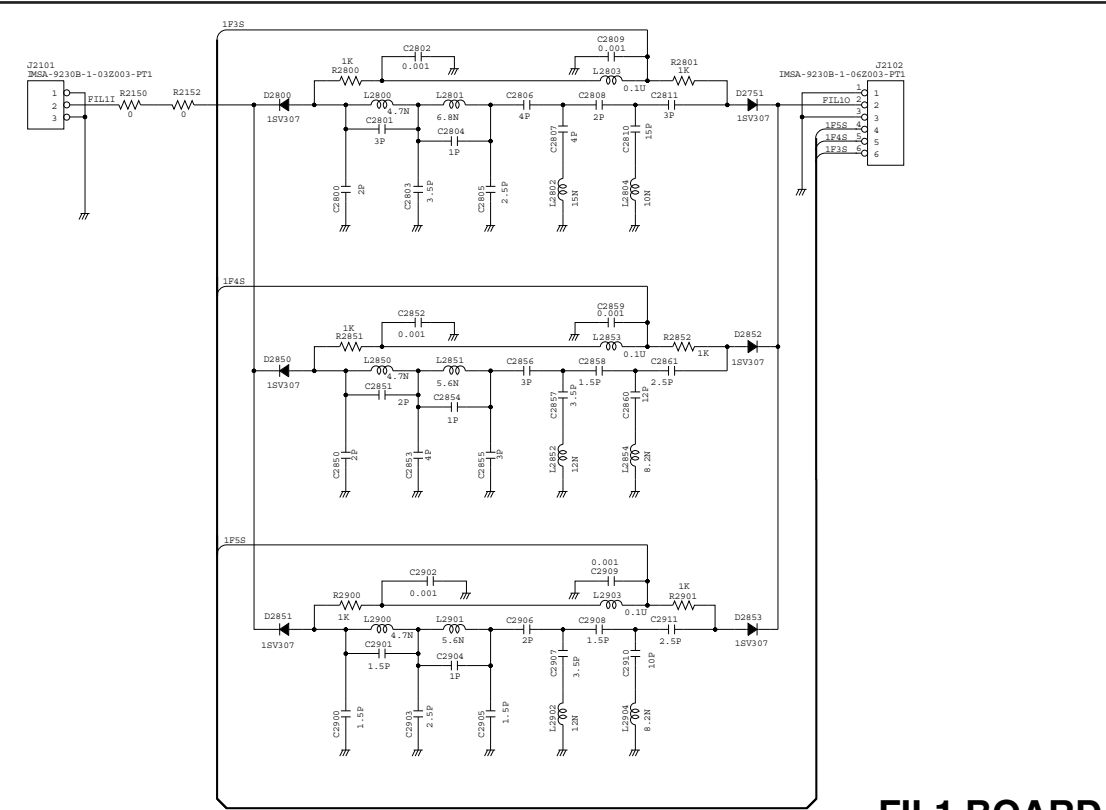
• PLL UNIT (1)



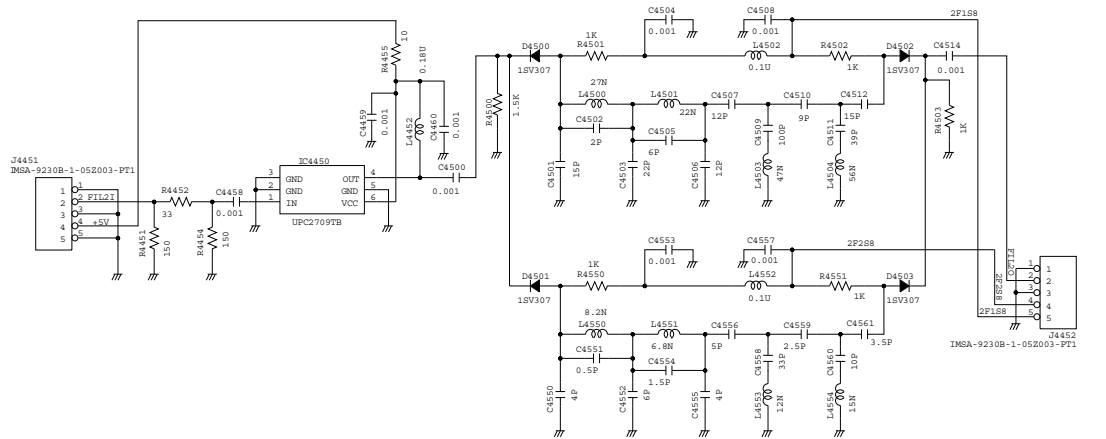
• PLL UNIT (3)



• PLL UNIT (5)

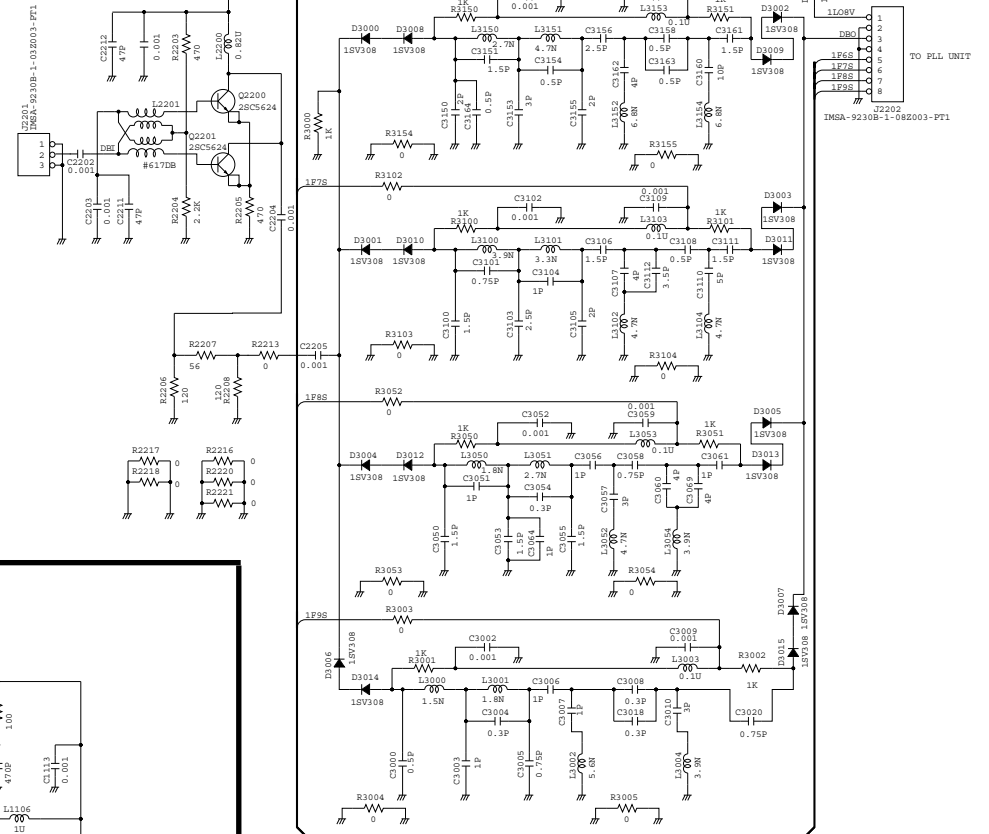


FIL1 BOARD



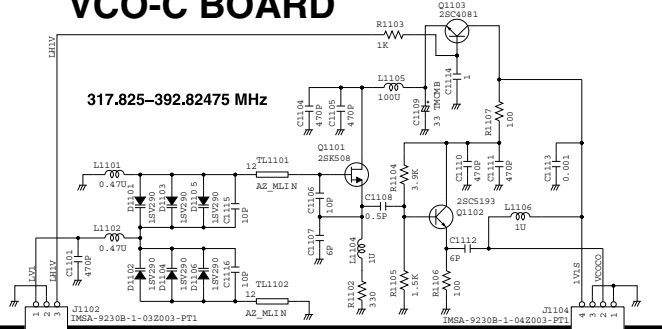
FIL2 BOARD

DOUBLER BOARD



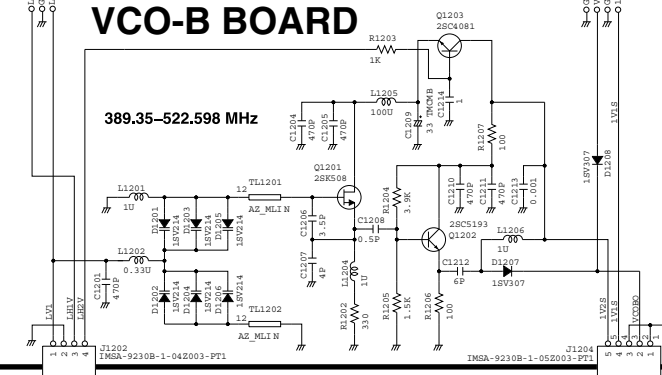
VCO-C BOARD

317.825-392.82475 MHz



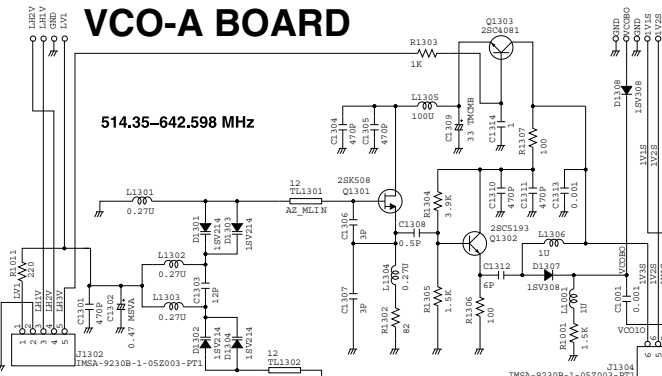
VCO-B BOARD

389.35-522.598 MHz

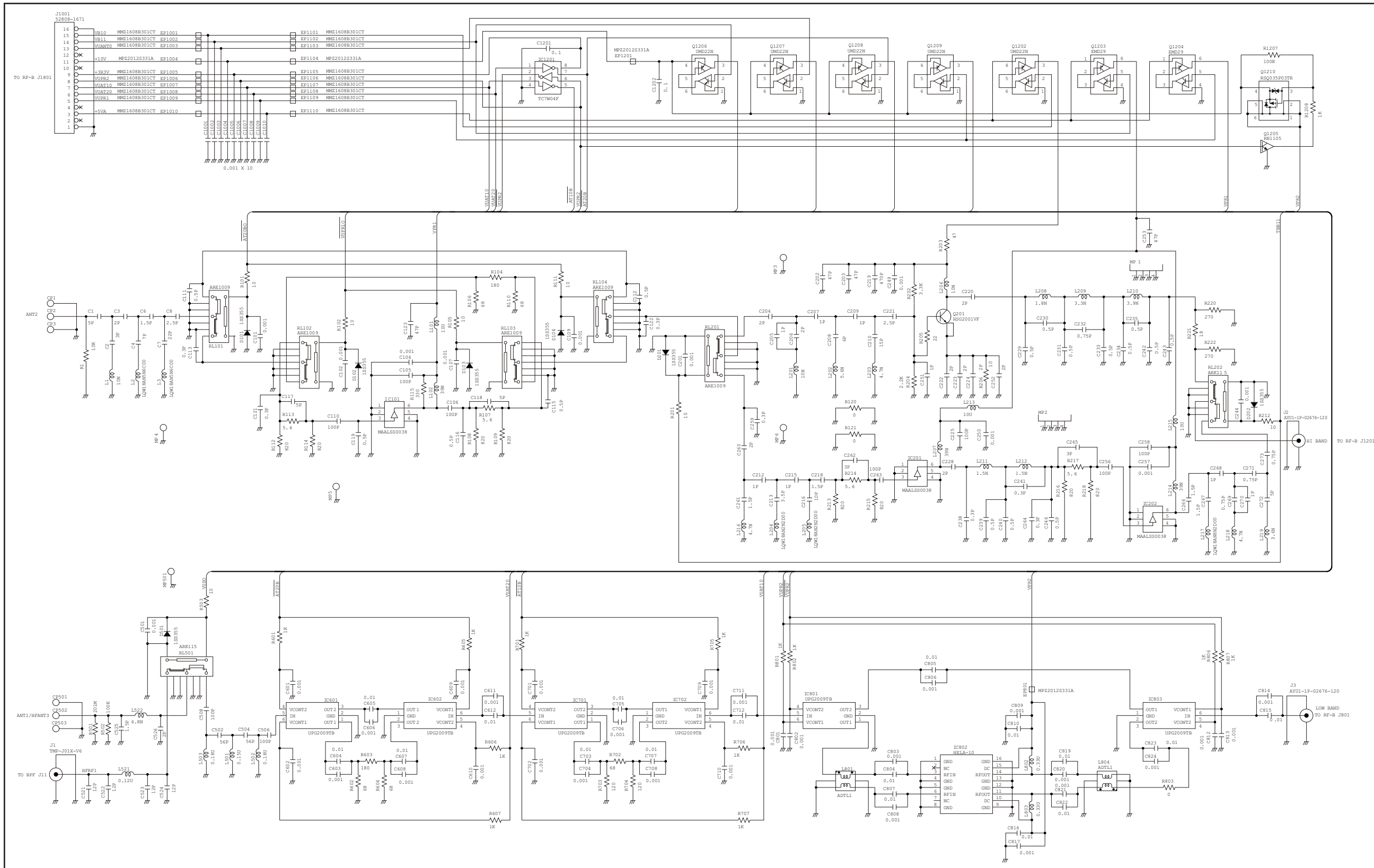


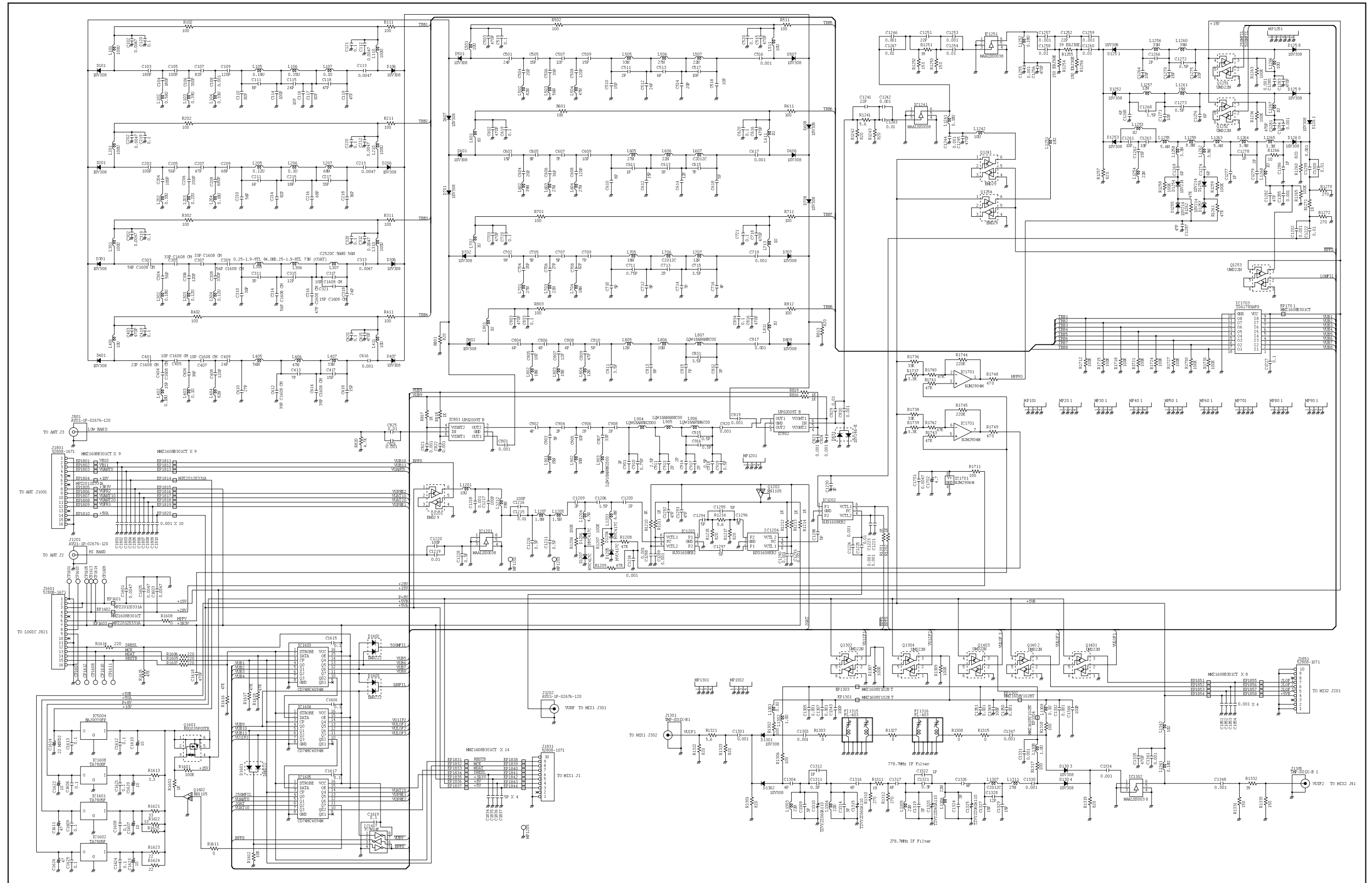
VCO-A BOARD

514.35-642.598 MHz

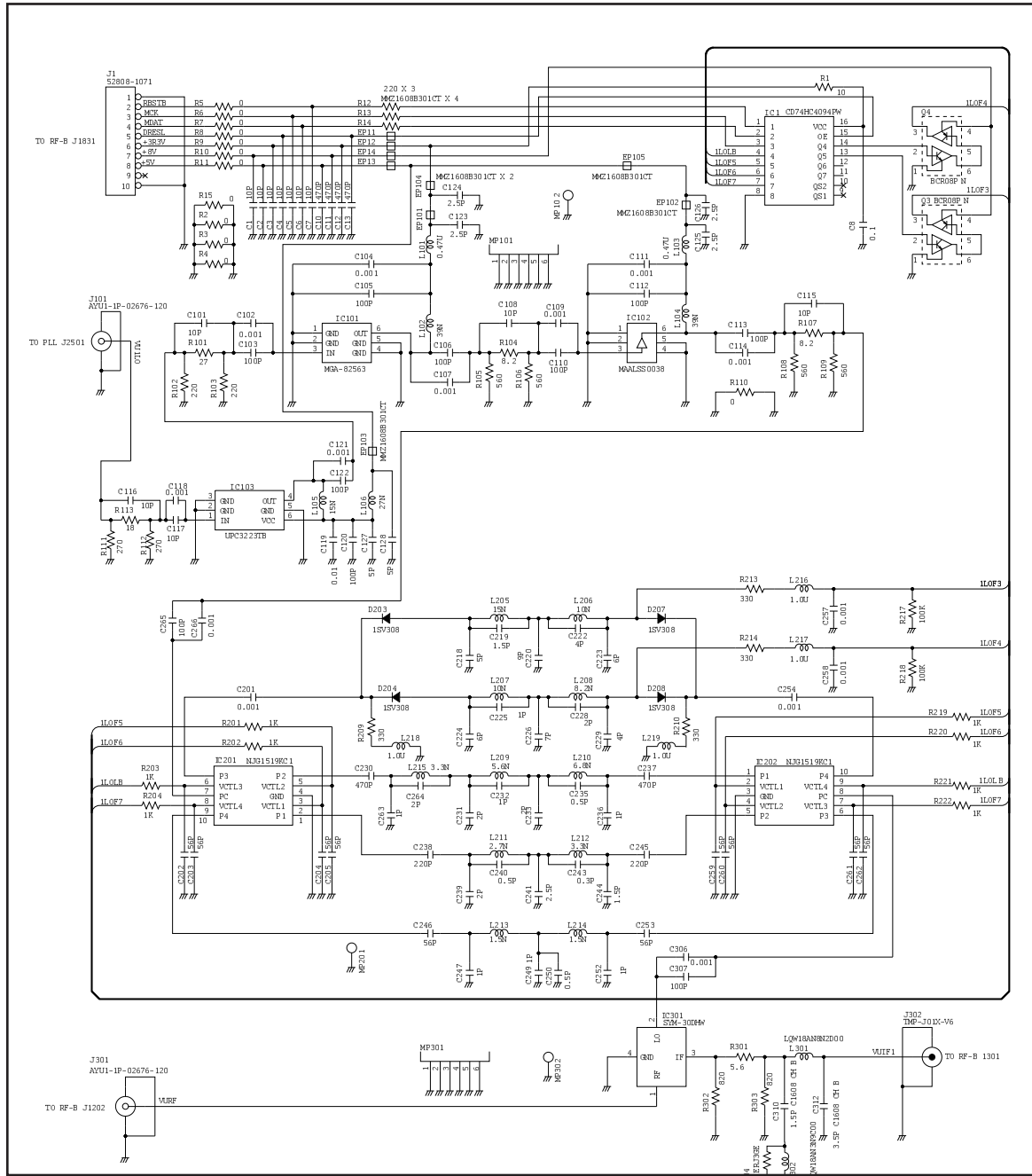


• ANT UNIT

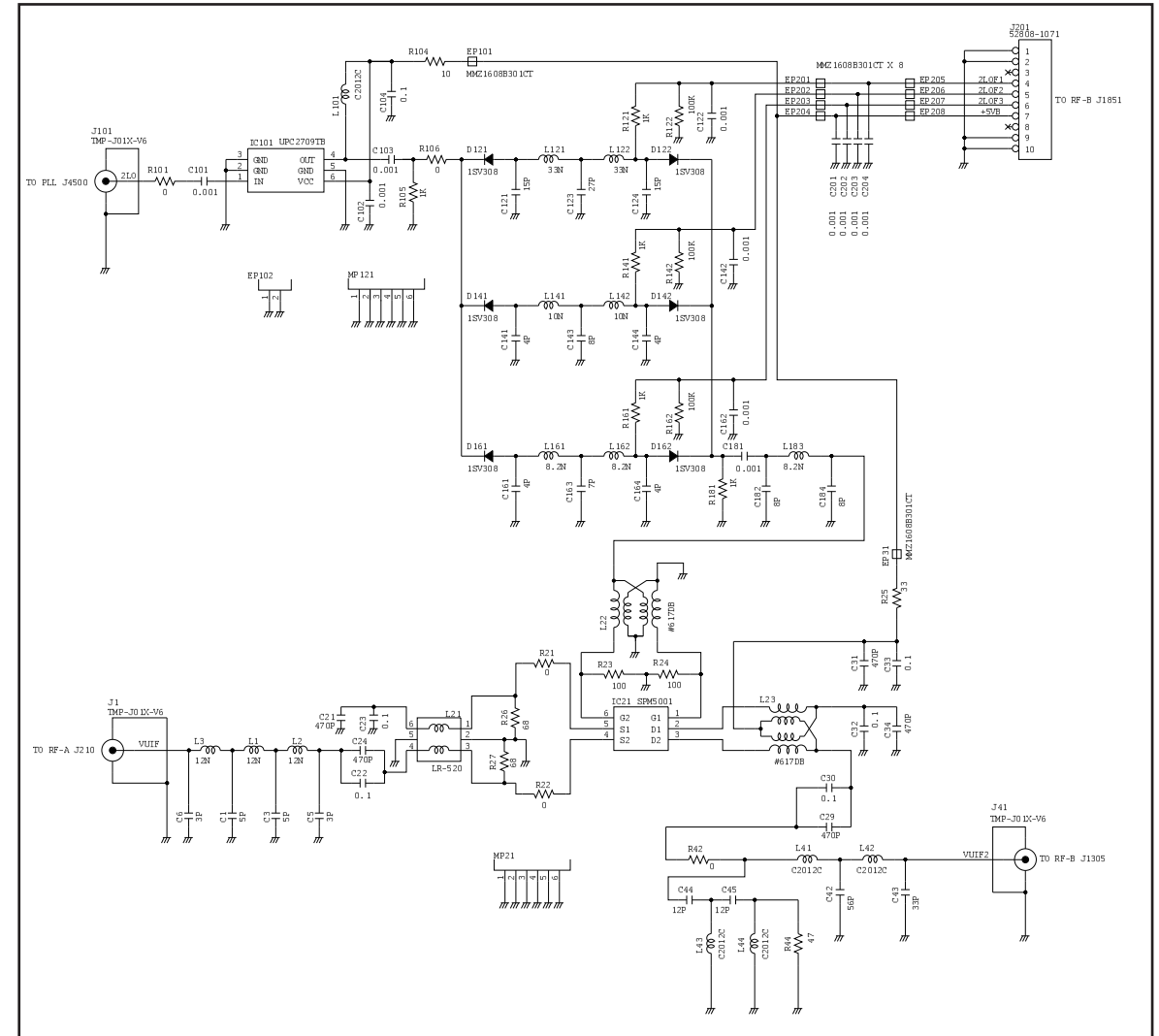




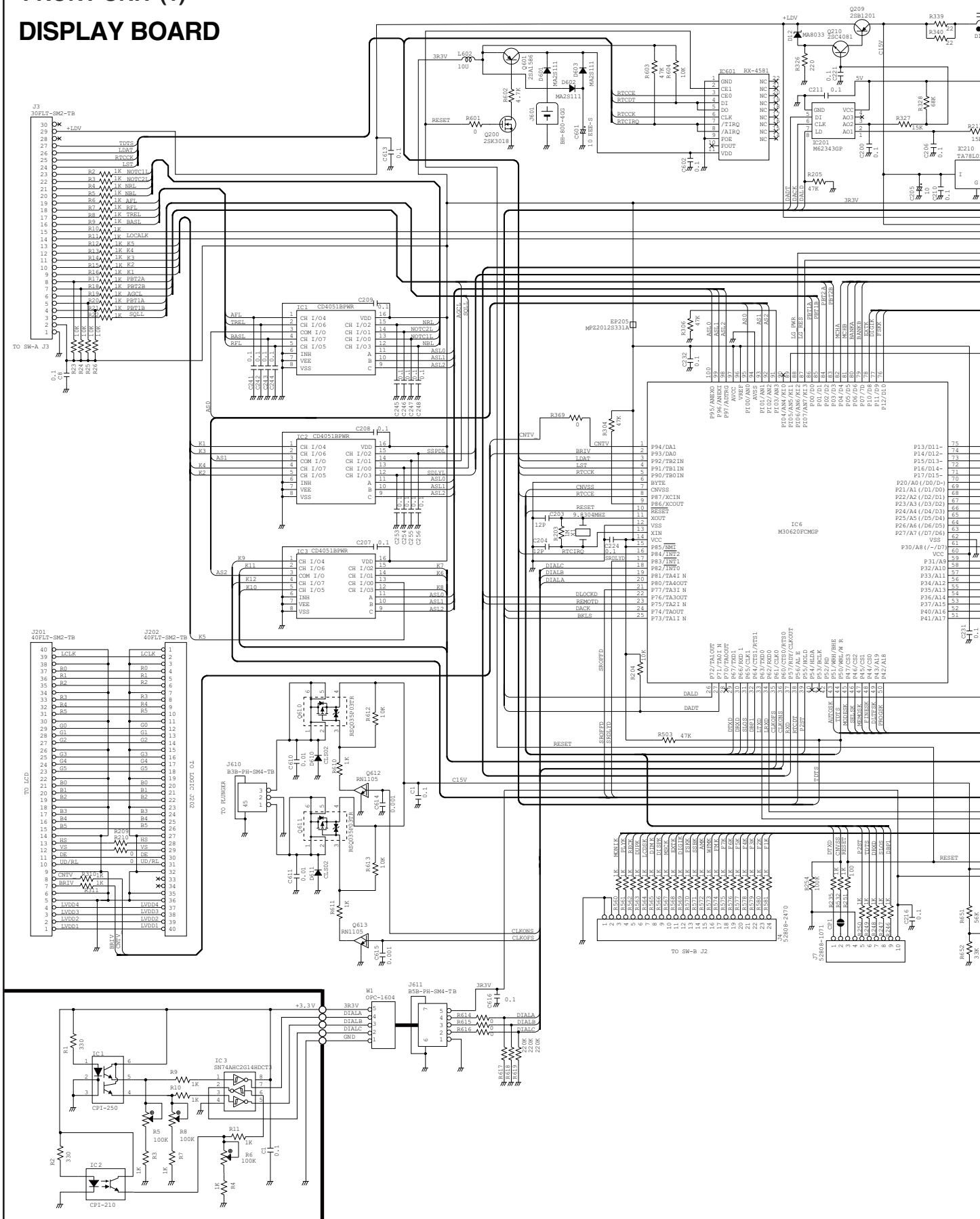
• MIX1 UNIT



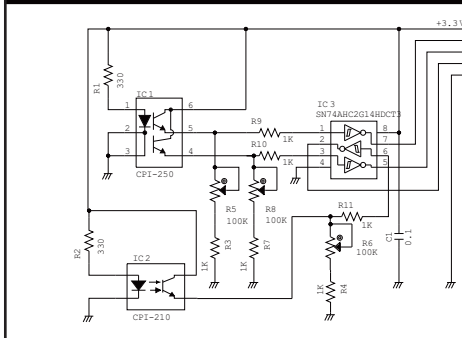
• MIX2 UNIT



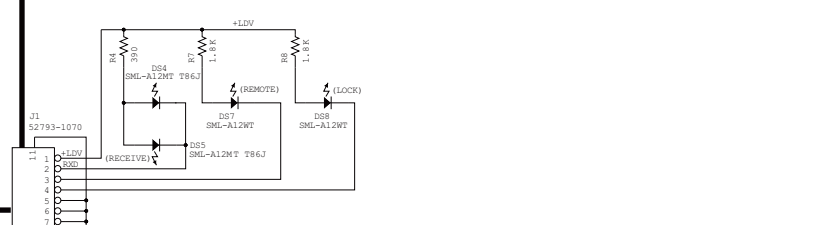
FRONT UNIT (1) DISPLAY BOARD



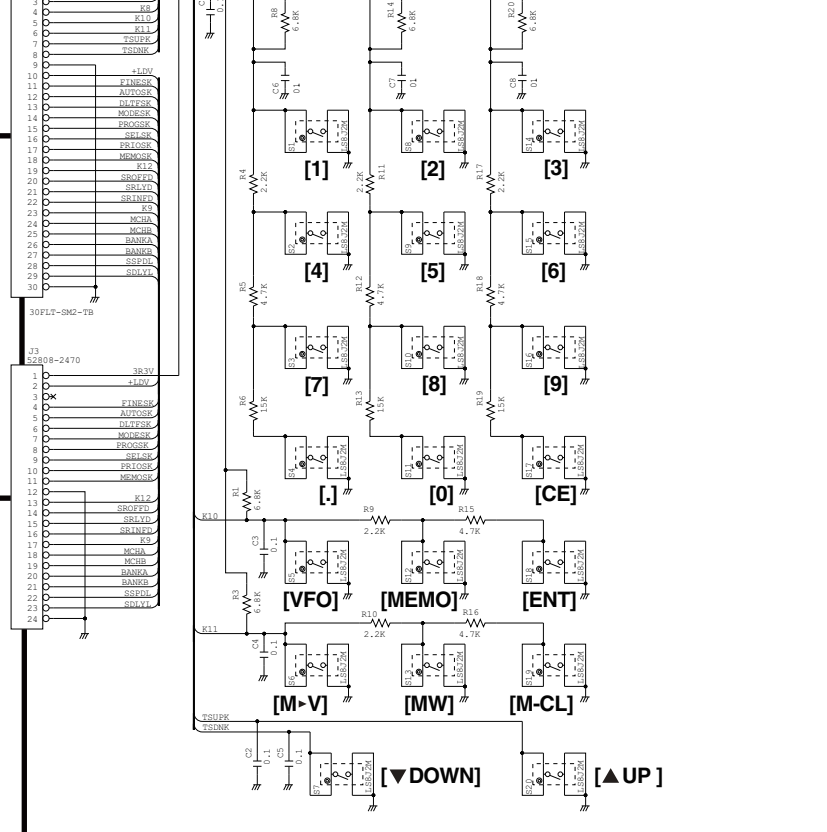
SENSOR BOARD



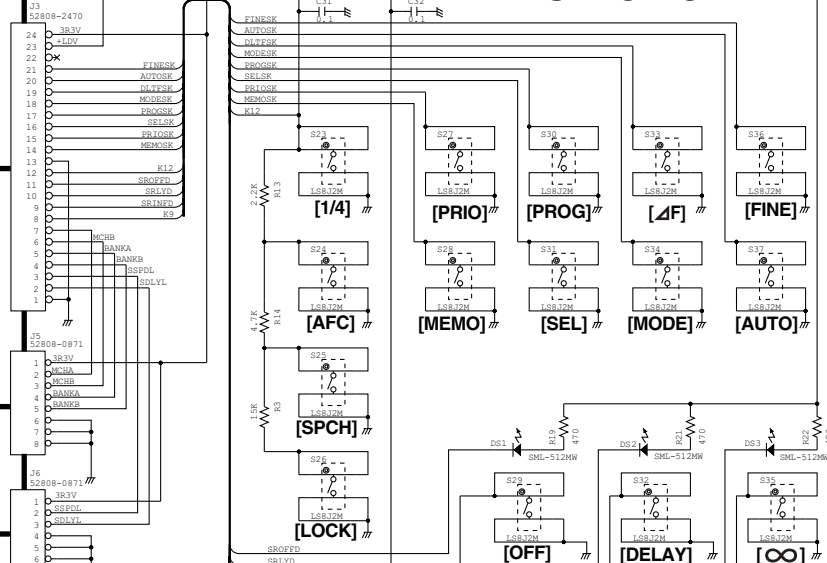
LED BOARD



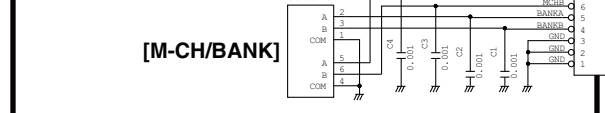
TENKEY BOARD



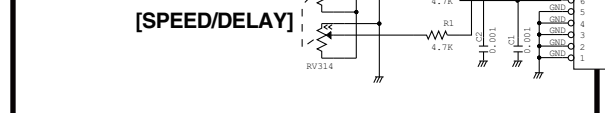
SW-C BOARD



VR-E BOARD

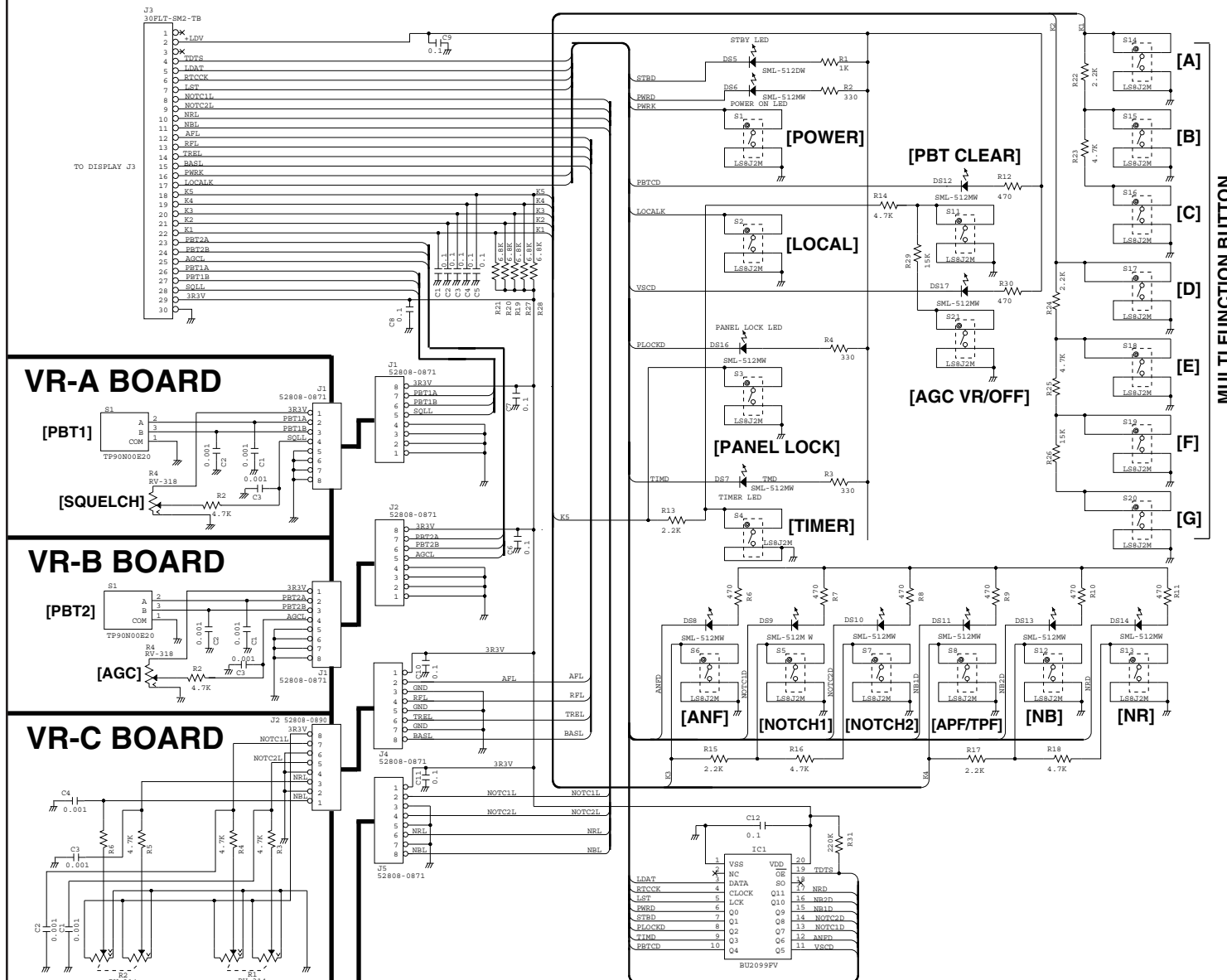


VR-F BOARD

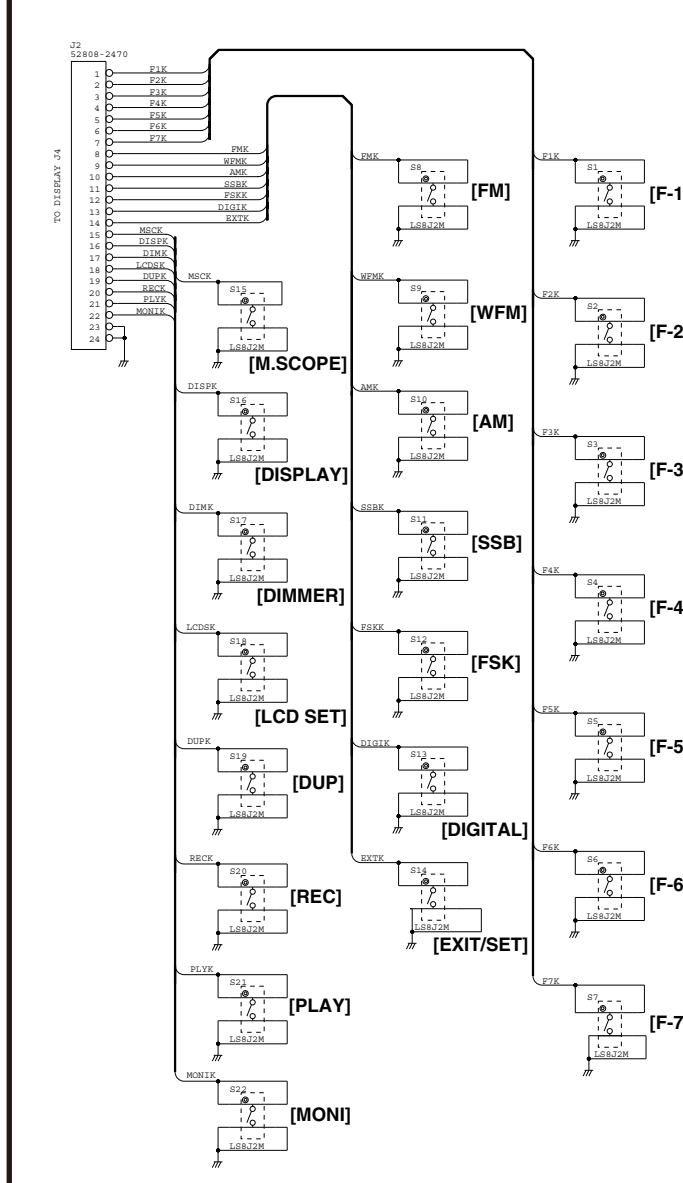


• FRONT UNIT (2)

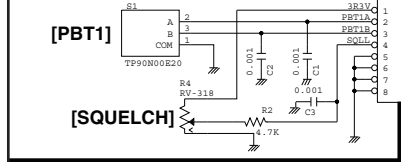
SW-A BOARD



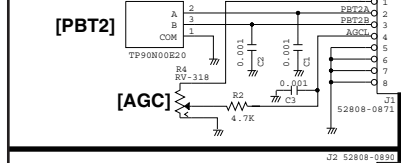
SW-B BOARD



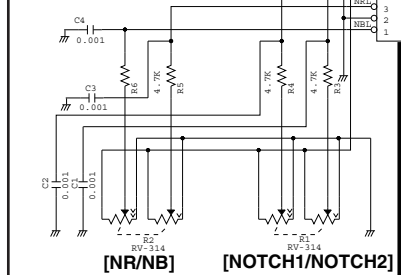
VR-A BOARD



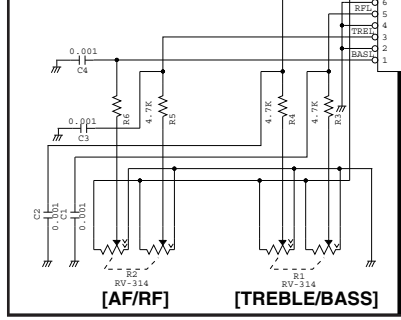
VR-B BOARD



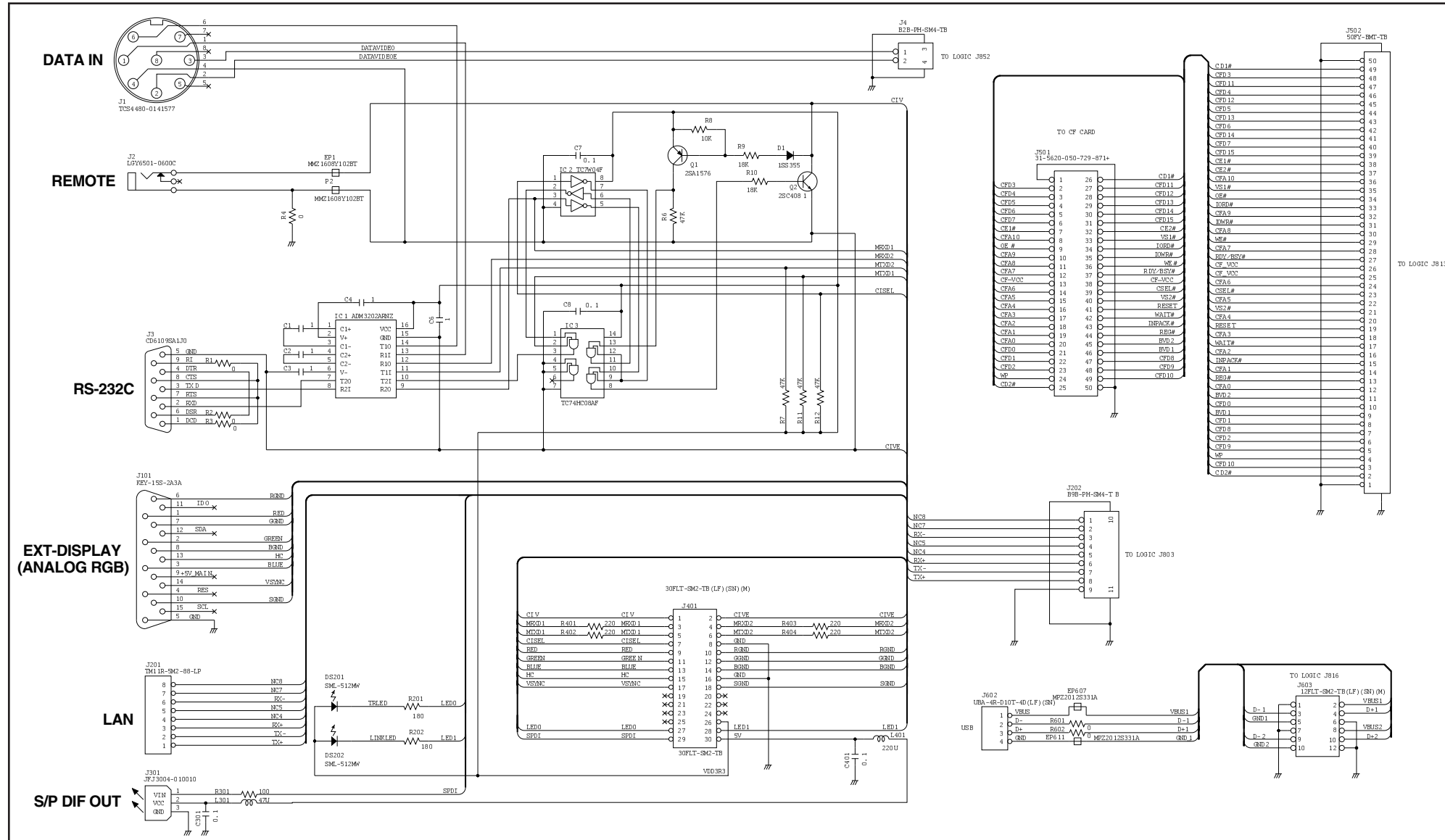
VR-C BOARD



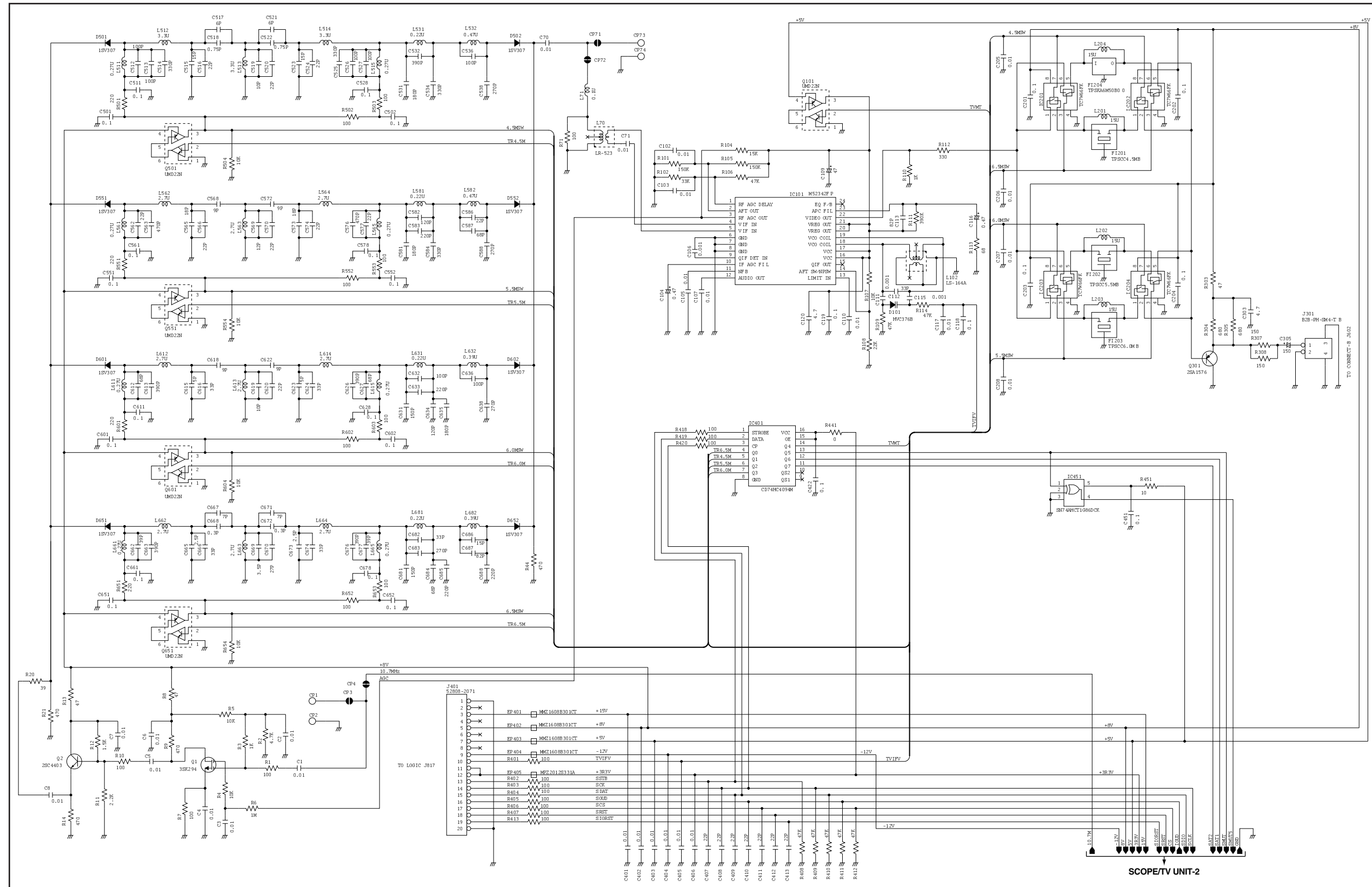
VR-D BOARD



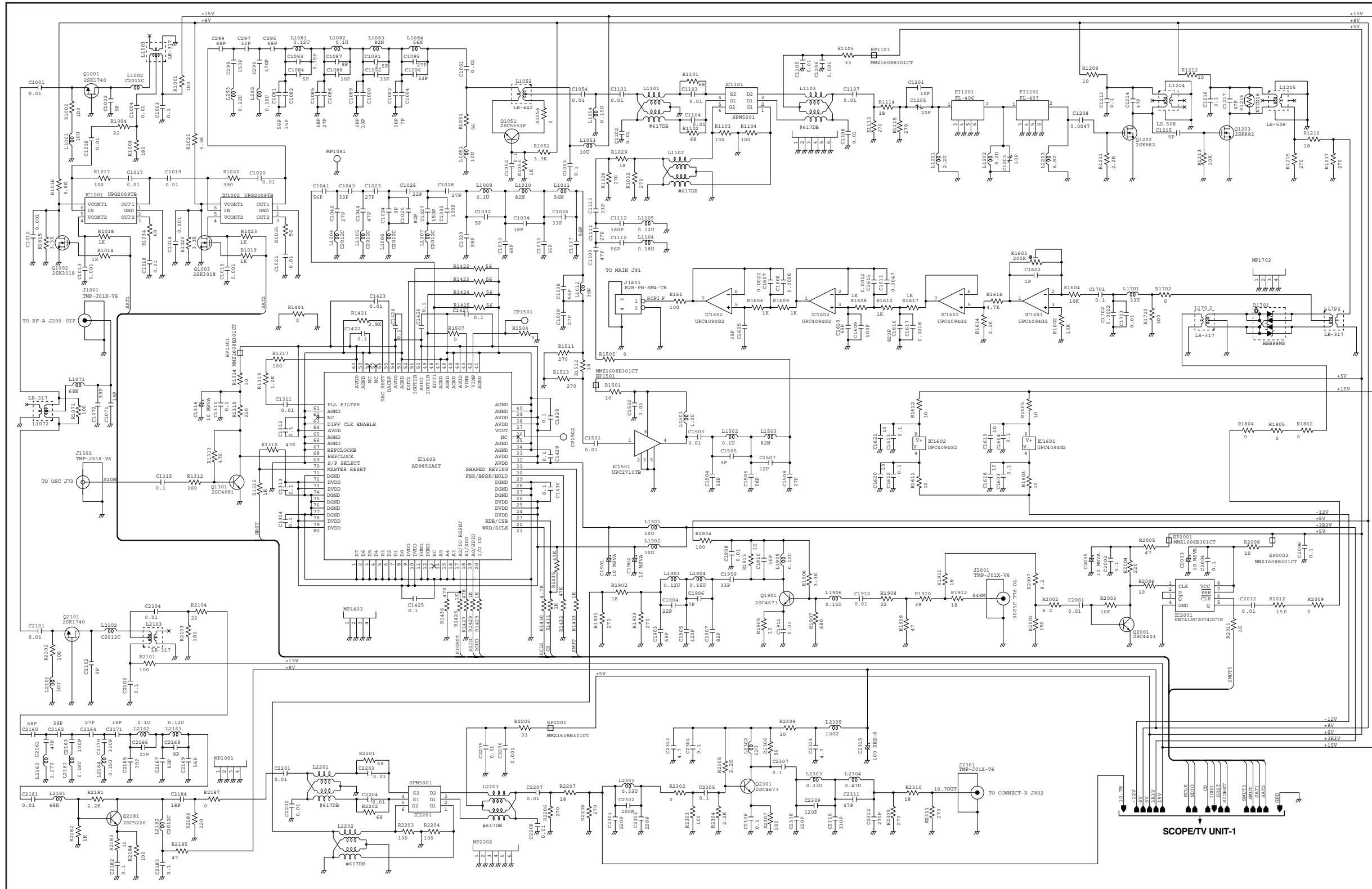
• CONNECT-A UNIT



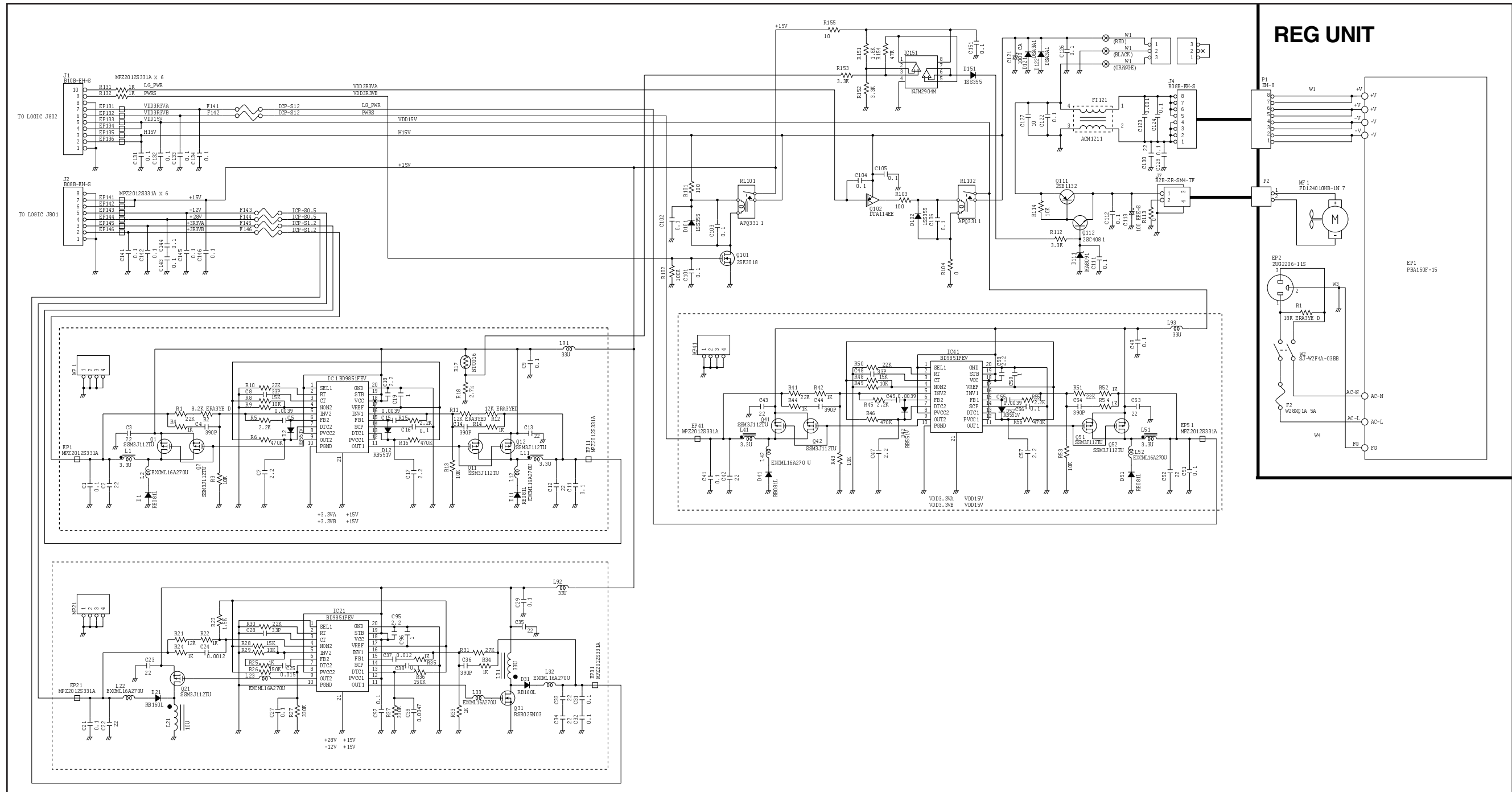
• SCOPE/TV UNIT (1)



• SCOPE/TV UNIT (2)



• DC-DC UNIT





SERVICE MANUAL

COMMUNICATIONS RECEIVER
IC-R9500

S-14323XZ-C1-①
Oct. 2007

INTRODUCTION

This service manual describes the latest service information for the **IC-R9500 COMMUNICATIONS RECEIVER** at the time of publication.

MODEL	VERSION	FREQUENCY COVERAGE (MHz)
IC-R9500	[USA]	0.005–821.999999, 851.000000–866.999999, 896.000000–3335.000000
	[FRA]	0.0050000–29.999999, 50.200000–51.200000, 87.500000–108.000000, 144.000000–146.000000, 430.000000–440.000000, 1240.000000–1300.000000
	[USA-01]	0.005–3335.000000
	[EUR]	
	[UK]	
	[CAN]	
	[EXP]	
	[AUS]	
[CHN]		

CAUTION

NEVER connect the transceiver to an AC outlet or to a DC power supply that uses more than specified. This will ruin the transceiver.

DO NOT apply an RF signal of more than 20 dBm (100 mW) to the antenna connector. This could damage the receiver's front end.

To upgrade quality any electrical or mechanical parts and internal circuits are subject to change without notice or obligation.



ORDERING PARTS

Be sure to include the following four points when ordering replacement parts:

1. 10-digit order numbers
2. Component part number and name
3. Equipment model name and UNIT name
4. Quantity required

<SAMPLE ORDER>

1110006750	S.IC	TK14570L	IC-R9500	RF-A UNIT	5 pieces
8820001210	Screw	2844 screw	IC-R9500	CHASSIS	10 pieces

Addresses are provided on the inside back cover for your convenience.

REPAIR NOTES

1. Make sure a problem is internal before disassembling the receiver.
2. **DO NOT** open the receiver until the receiver is disconnected from its power source.
3. **DO NOT** force any of the variable components. Turn them slowly and smoothly.
4. **DO NOT** short any circuits or electronic parts. An insulated tuning tool **MUST** be used for all adjustments.
5. **DO NOT** keep power ON for a long time when the receiver is defective.
6. **READ** the instructions of test equipment thoroughly before connecting equipment to the receiver.

CONTENTS

SECTION 1 SPECIFICATIONS

SECTION 2 INSIDE VIEWS

SECTION 3 CIRCUIT DESCRIPTION

3-1	RECEIVER CIRCUITS	3-1
3-2	FREQUENCY SYNTHESIZER CIRCUITS	3-1
3-3	LOGIC CIRCUITS	3-5
3-4	POWER SUPPLY CIRCUITS	3-1
3-5	PORT ALLOCATIONS	3-5

SECTION 4 ADJUSTMENT PROCEDURES

4-1	PREPARATION	4-1
4-2	EXT. S-METER AND REFERENCE FREQUENCY ADJUSTMENTS	4-3
4-3	VCO ADJUSTMENTS	4-3
4-4	RECEIVE ADJUSTMENT (HF)	4-4
4-5	RECEIVE ADJUSTMENT (V/U)	4-6
4-6	RECEIVE ADJUSTMENT (V/U1)	4-7
4-7	RECEIVE ADJUSTMENT (V/U2)	4-14
4-8	RECEIVE ADJUSTMENT (TV)	4-21
4-9	RECEIVE ADJUSTMENT (WFM)	4-22

SECTION 5 PARTS LIST

SECTION 6 MECHANICAL PARTS AND DISASSEMBLY

SECTION 7 BOARD LAYOUTS

LOGIC UNIT	7-1
MAMORY BOARD	7-1
ANT, BPF, MIX1, MIX2 UNITS	7-3
RF-A, RF-B UNITS	7-5
VCO-A~C, VCO2, FIL1/2 BOARDS AND PLL UNIT	7-7
SW-A~C, VR-A~F, SENSOR, TENKEY, LED, DISPLAY BOARDS	7-9
JACK BOARD AND CONNECT-A/B OSC UNITS	7-11
MAIN, SCOPE/TV, DC-DC UNITS	7-13

CONTENTS (continued)

SECTION 8 WIRING DIAGRAM

SECTION 9 BLOCK DIAGRAM

SECTION 10 SCHEMATIC DIAGRAM

LOGIC UNIT AND MAMORY BOARD.....	10-1
MAIN UNIT.....	10-6
VCO-A~C, VCO2, FIL1/2 BOARDS AND PLL UNIT.....	10-10
ANT, BPF, RF-A, RF-B, MIX1, MIX2 UNITS.....	10-15
SW-A~C, VR-A~F, SENSOR, TENKEY, LED, DISPLAY, JACK BOARD AND CONNECT-A/B UNITS.....	10-21
OSC, SCOPE/TV, DC-DC, REG UNITS.....	10-23

General

- **Frequency coverage** (unit: MHz) :
 - USA 0.005000–821.999999, 851.000000–866.999999,
896.000000–3335.000000
 - France 0.005000–29.999999, 50.200000–51.200000,
87.500000–108.000000, 144.000000–146.000000,
430.000000–440.000000, 1240.000000–1300.000000
 - Europe, U.K., Canada, EXP, Australia, China 0.005000–3335.000000
- **Operating mode** : USB, LSB, CW, FSK, AM, FM, WFM, P25
- **Number of memory channels** : 1220 (1000 regular channels, 100 auto memory write channels, 100 skip channels, 20 scan edge channels)
- **Antenna connector** : Type-N×2 (antenna impedance: 50 Ω),
SO-239×1 (antenna impedance: 50 Ω),
Phono (RCA)×1 (antenna impedance: 500 Ω)
- **Operating temperature range** : 0°C to +50°C; +32°F to +122°F
- **Frequency stability** : Less than ±0.05 ppm (approx. 5 min. after from turn the main power, [I/O], ON, 0–50°C; 32–122°F)
- **Frequency resolution** : 1 Hz
- **Power supply requirement** : 100 V, 120 V, 230 V, 240 V AC
- **Power consumption** :
 - Receive Less than 100 VA
 - Stand-by Less than 100 VA
 - Max. audio
- **Dimensions** (projections not included) : 424×149×340 mm; 16¹¹/₁₆×5⁷/₈×13³/₈ in
- **Weight** : Approx. 20 kg; 44 lb
- **ACC connector** : 8-pin DIN connector
- **DATA IN connector** : 8-pin DIN connector
- **Display*** : 7-inch (diagonal) TFT color LCD (800×480)
- **EXT-DISPLAY connector** : D-sub 15S
- **RS-232C connector** : D-sub 9-pin
- **VIDEO IN connector** : Phono (RCA)
- **VIDEO OUT connector** : Phono (RCA)
- **SPEECH OUT connector** : Phono (RCA)
- **LINE OUT connector** : Phono (RCA)
- **USB connector** : USB (Universal Serial Bus)1.1/2.0
- **CI-V connector** : 2-conductor 3.5 (d) mm (1/8")
- **ANT-SEL connector** : 3-conductor 3.5 (d) mm (1/8")
- **DET OUT connector** : 3-conductor 3.5 (d) mm (1/8")
- **EXT-SP connectors** : 2-conductor 3.5 (d) mm (1/8")/8 Ω
- **REC REMOTE connector** : 3-conductor 3.5 (d) mm (1/8")×2
(Front and rear panels)
- **REC OUT connector** : 3-conductor 3.5 (d) mm (1/8")
- **PHONES connector** : 3-conductor 3.5 (d) mm (1/8")

Receiver

- **Sensitivity** :
 - SSB, CW, FSK (BW (SSB, FSK)=2.4 kHz, (CW)=500 Hz, 10 dB S/N)
 - 0.100–1.799 MHz 0.5 μ V (pre-amp 1 ON)
 - 1.800–29.999 MHz 0.2 μ V (pre-amp 1 ON)
 - 30.000–2999.999 MHz 0.32 μ V (pre-amp ON)
 - 3000.000–3335.000 MHz 1 μ V (pre-amp ON)
 - AM (BW=6 kHz, 10 dB S/N)
 - 0.100–1.799 MHz 6.3 μ V (pre-amp 1 ON)
 - 1.800–29.999 MHz 2.5 μ V (pre-amp 1 ON)
 - 30.000–2999.999 MHz 3.5 μ V (pre-amp ON)
 - 3000.000–3335.000 MHz 11 μ V (pre-amp ON)
 - FM (BW=15 kHz, 12 dB SINAD)
 - 28.000–29.990 MHz 0.5 μ V (pre-amp 1 ON)
 - 30.000–2999.999 MHz 0.5 μ V (pre-amp ON)
 - 3000.000–3335.000 MHz 1.6 μ V (pre-amp ON)
 - FM50k (BW=50 kHz, 12 dB SINAD)
 - 28.000–29.990 MHz 0.71 μ V (pre-amp 1 ON)
 - 30.000–2999.999 MHz 0.71 μ V (pre-amp ON)
 - 3000.000–3335.000 MHz 2.2 μ V (pre-amp ON)
 - WFM (BW=180 kHz, 12 dB SINAD)
 - 30.000–2999.999 MHz 1.4 μ V (pre-amp ON)
 - 3000.000–3335.000 MHz 4.5 μ V (pre-amp ON)
- **Internal modulation distortion** (typical) : Dynamic range 109 dB
(at 14.100 MHz, 100 kHz separation, Pre-amp 1 OFF)
- **Selectivity** :
 - SSB, FSK (BW=2.4 kHz) More than 2.4 kHz/–3 dB
Less than 3.6 kHz/–60 dB
 - CW (BW=500 Hz) More than 500 Hz/–3 dB
Less than 700 Hz/–60 dB
 - AM (BW=6 kHz) More than 6.0 kHz/–3 dB
Less than 15.0 kHz/–60 dB
 - FM (BW=15 kHz) More than 12.0 kHz/–3 dB
Less than 25.0 kHz/–60 dB
 - WFM More than 180.0 kHz/–6 dB
- **Spurious and image rejection response ratio** :
 - 0.1000–30.000 MHz More than 70 dB
 - 30.000–2500.000 MHz More than 50 dB
 - 2500.000–3000.000 MHz More than 40 dB
- **Audio output power** : More than 2.6 W at 10% distortion with an 8 Ω load

*The LCD display may have cosmetic imperfections that appear as small or dark spots. This is not a malfunction or defect, but a normal characteristic of LCD displays.

Spurious signals may be received near the following frequencies. These are made in the internal circuit and does not indicate a receiver malfunction.

- 114.110 kHz, • 229.280 kHz, • 8.636 MHz, • 10.749 MHz, • 66.671 MHz, • 119.259 MHz,
- 161.732 MHz, • 200.865 MHz, • 440.865 MHz, • 1226.749 MHz, • 1269.398 MHz, • 1317.398 MHz,
- 1410.649 MHz, • 1439.999 MHz, • 1599.999 MHz, • 1645.449 MHz, • 1674.799 MHz, • 1810.773 MHz,
- 1856.098 MHz, • 1875.665 MHz, • 2005.448 MHz, • 2154.798 MHz, • 2336.099 MHz, • 2394.798 MHz,
- 2512.199 MHz, • 2799.999 MHz, • 2842.848 MHz, • 2933.500 MHz, • 2999.999 MHz, • 3199.999 MHz,
- 3232.198 MHz, • 3261.548 MHz

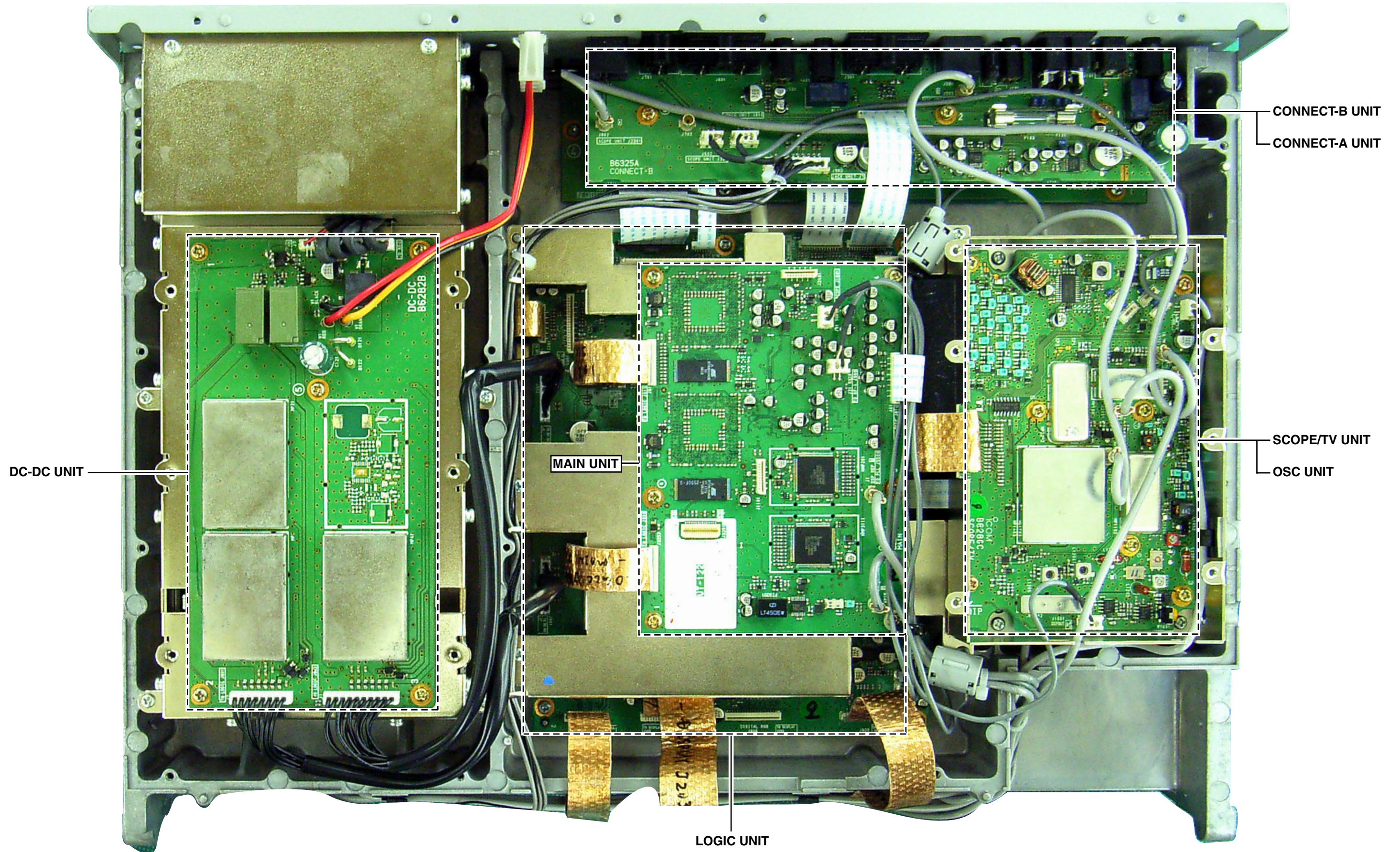
Spurious waveforms may be displayed on the spectrum scope screen regardless of the receiver's condition. They are made in the scope circuit. This does not indicate a receiver malfunction.

SECTION 2

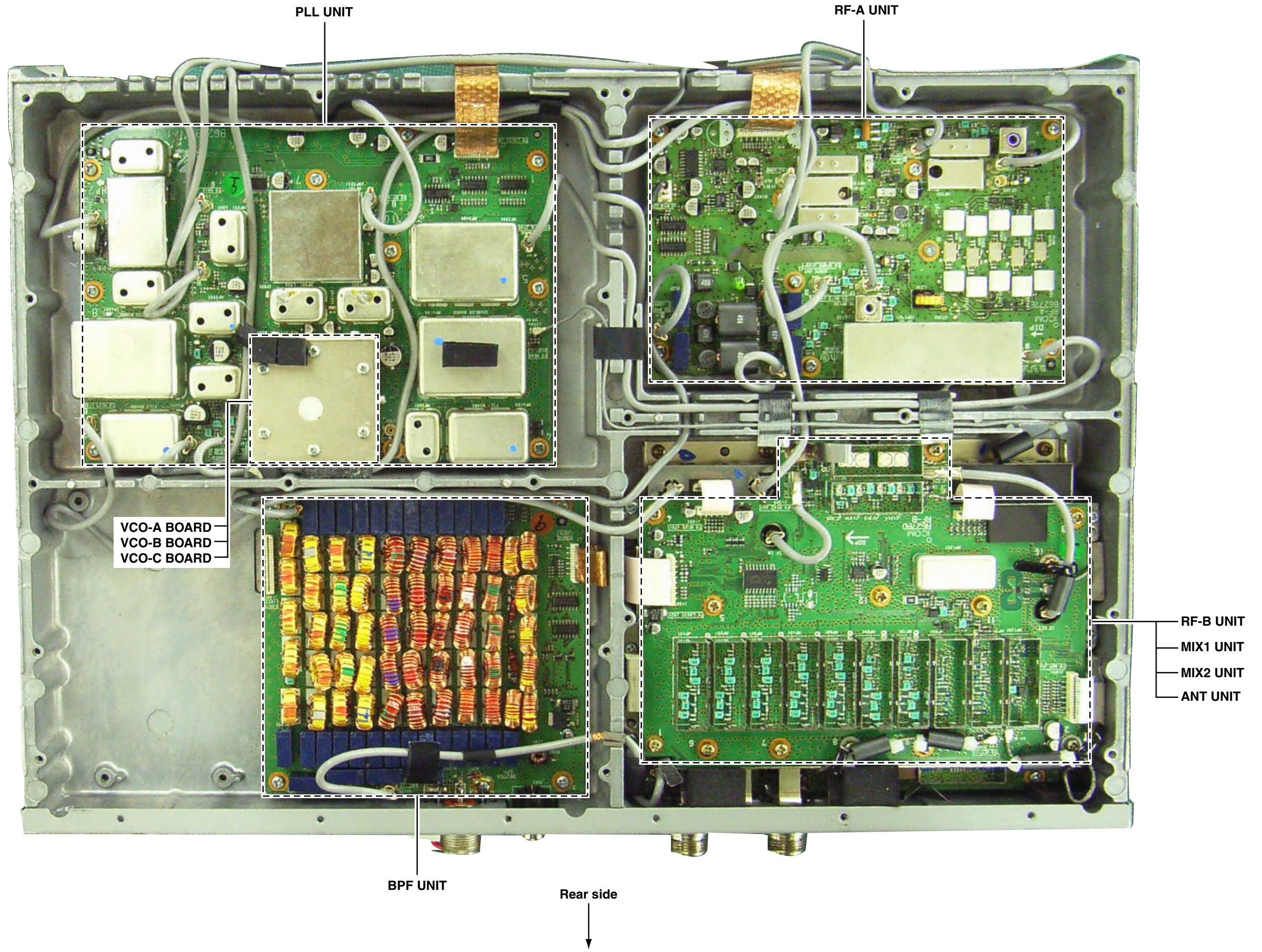
INSIDE VIEWS

• TOP VIEW

↑
Rear side



• BOTTOM VIEW



3-1 RECEIVER CIRCUITS

BPF UNIT

The received signals from the "HF ANT1" or "HF ANT2" connector (0.005–29.999 MHz) are passed through the attenuators and each BPFs for the frequency coverage. The filtered The received signals are applied to the RF-A UNIT (Refer to "RF-A UNIT").

ANT UNIT

<The received signals from "HF-ANT1">

The received signals from the ANT1 connector (30–1150 MHz) are amplified or attenuated by pre-amplifier/attenuator. The amplified signals are applied to the RF-B UNIT (Refer to "RF-B UNIT").

<The received signals from "ANT2">

The received signals from the ANT2 connector (1150–3335 MHz) are amplified or attenuated by pre-amplifier/attenuator. The amplified/attenuated signals are amplified by one or two RF amplifiers via band switches, LPFs and HPFs. The amplified signals are applied to the RF-B UNIT. (Refer to "RF-B UNIT")

RF-A UNIT

<The received signals from the ANT UNIT>

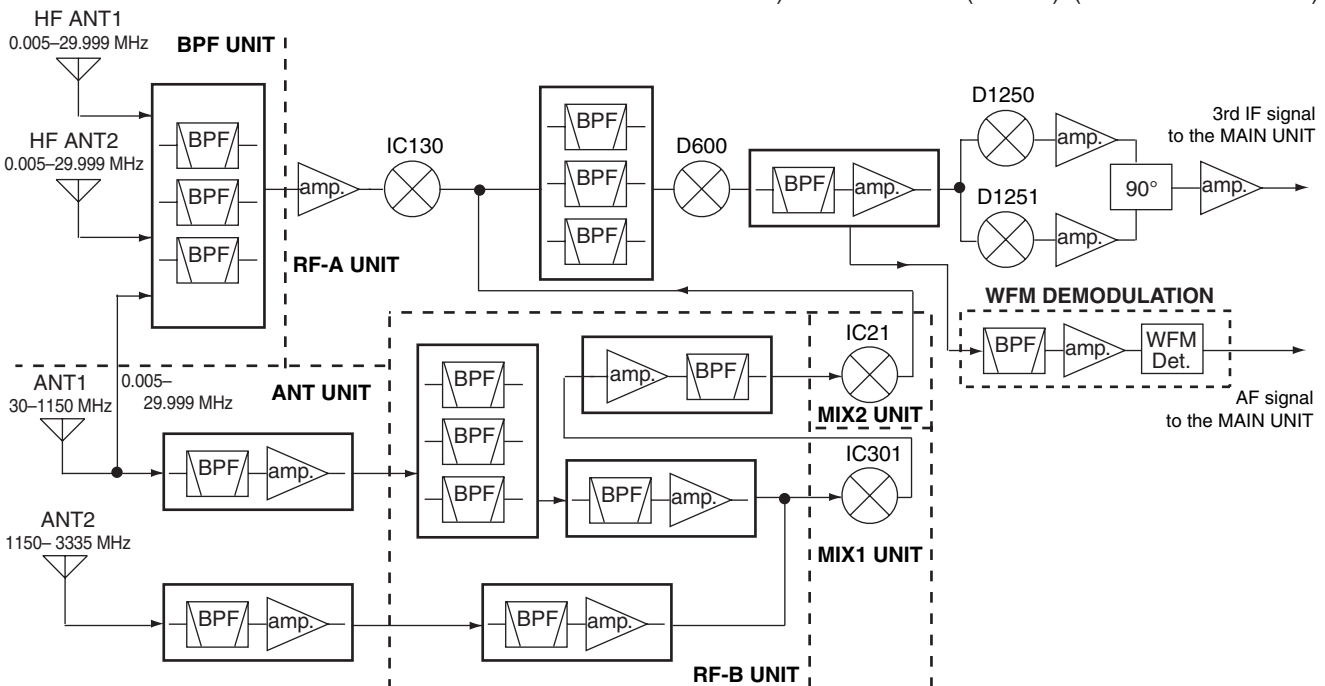
The received signals from the BPF UNIT are amplified and filtered, then applied to the 1st mixer (IC130), and mixed with 1st LO signals from the PLL UNIT to generate 1st IF signal.

The generated 1st IF signal is filtered by one of 1st IF filters (BW=3 kHz, 6 kHz, 15 kHz, 50 kHz or 240 kHz) to remove unwanted signals. The filtered 1st IF signal is amplified by 1st IF amplifier, then applied to the 2nd mixer and mixed with 2nd LO signals from the PLL UNIT to generate 2nd IF signal.

The generated 2nd IF signal is amplified by 2nd IF amplifier, and passed through the 2nd IF filter (BW=50kHz) to remove unwanted signals. The filtered 2nd IF signal is applied to the 3rd mixers (D1250 and D1251), and mixed with 3rd LO signals from the PLL UNIT to generate 3rd IF signal.

The generated 3rd IF signal is amplified by 3rd IF amplifier (IC1000), then applied to the MAIN UNIT for demodulation.

• RX DIAGRAM



<The received signals from the MIX2 UNIT>

The 2nd IF signal from the MIX2 UNIT is filtered by one of 2nd IF filters (for BW=3 kHz, 6 kHz, 15 kHz, 50 kHz or 240 kHz) to remove unwanted signals. The filtered 2nd IF signal is amplified by 2nd IF amplifier, then applied to the 3rd mixer, and mixed with 3rd LO signals from the PLL UNIT to generate 3rd IF signal.

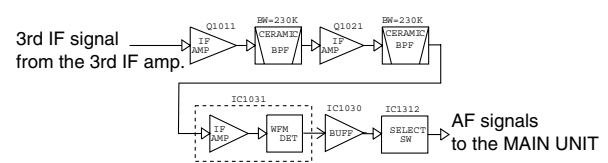
The generated 3rd IF signal is amplified by 3rd IF amplifier, and passed through the 3rd IF filter (BW=50kHz) to remove unwanted signals. The filtered 3rd IF signal is applied to the 4th mixers (D1250 and D1251), and mixed with 4th LO signals from the PLL UNIT to generate 4th IF signal.

The generated 4th IF signal is amplified by 4th IF amplifiers, then applied to the MAIN UNIT for demodulation.

<WFM mode>

In WFM mode, the IF signal from the 3rd IF amplifier is amplified by two 3rd IF amplifiers, and filtered by two 3rd IF filters (BW=230 kHz), then applied to the IF IC (IC1031) for FM-demodulation. The demodulated AF signals are applied to the MAIN UNIT via AF switch (IC1312).

• AF DEMODULATOR CIRCUITS (WFM)



RF-B UNIT

<The received signals from "ANT2">

The received signals from the ANT-2 connector (1150–3335 MHz) are amplified and filtered, then applied to the 1st mixer (MIX1 UNIT; IC301) via band SW (IC1202). (Refer to "MIX1 UNIT")

<The received signals from "HF-ANT1">

The received signals from the ANT-1 connector (30–1150 MHz) are filtered by one of BPFs for the frequency coverage to remove unwanted signals. The filtered The received signals are amplified by RF amplifiers, filtered by band filters, then applied to the 1st mixer (MIX1 UNIT; IC301) via band switch (IC1202). (Refer to "MIX1 UNIT")

MIX1 UNIT

The received signals from the RF-B UNIT are mixed with 1st LO signals from the PLL UNIT, to generate 1st IF signal. The generated 1st IF signal is applied to the RF-B UNIT again, then filtered by 1st IF filter, and amplified by 1st IF amplifier before being applied to the 2nd mixer (MIX2 UNIT; IC21).. (Refer to "MIX2 UNIT")

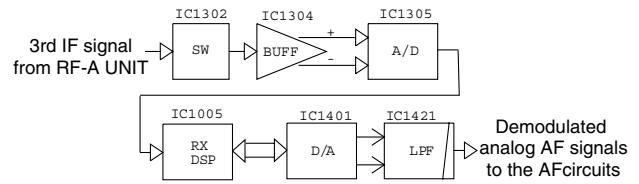
MIX2 UNIT

The 1st IF signal from the RF-B UNIT is converted into the 2nd IF signal at 2nd mixer (IC21) by mixing with 2nd LO signal (2LO) from PLL UNIT. The converted 2nd IF signal is applied to the RF-A UNIT. (Refer to "RF-A UNIT <The received signals from the MIX2 UNIT>")

MAIN UNIT (AUDIO DEMODULATION)

The 3rd/4th IF signal from the RF-A UNIT is applied to the A/D converter (IC1305) via buffer, and converted into the digital audio signal. The converted digital audio signal is applied to the DSP IC (IC1005) and processed. The processed digital audio signal is converted into the analog audio signals at the D/A converter (IC1401), then applied to the AF amplifier of the CONNECT-B UNIT via LPF.

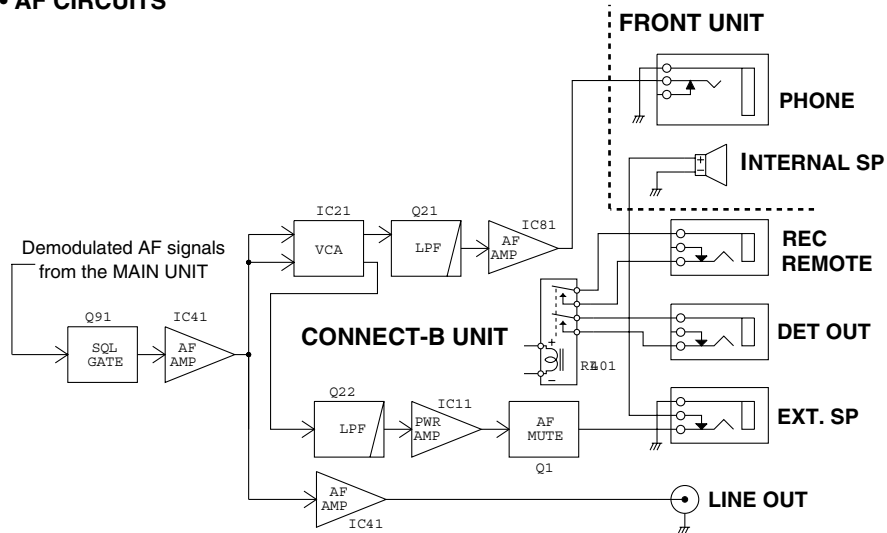
• AF DEMODULATOR CIRCUITS (other than WFM)



CONNECT-B UNIT (AF AMPLIFIER CIRCUITS)

The AF signals from the MAIN UNIT are applied to the AF amplifier (IC41) via the squelch gate (Q91). The amplified signals are passed through the VCA (Voltage Controlled Attenuator; IC21) for audio output level adjustment. The level adjusted AF signals are output from ext. speaker after being amplified by AF power amplifier (IC11), or output from internal speaker/phones after being power-amplified by AF power amplifier (IC81).

• AF CIRCUITS



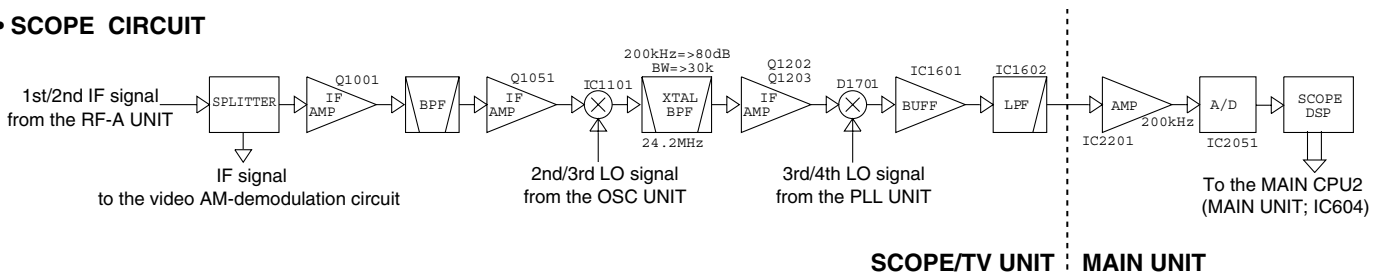
SCOPE/TV UNIT

-SPECTRUM SCOPE SCREEN-

A portion of the IF* signal from the RF-A UNIT is passed through the splitter, and, amplified by IF* amplifiers and filtered, then converted into the another IF* signal at the mixer. The converted IF* signal is filtered and amplified by X'tal filter and IF amplifiers, then applied to the mixer to be converted again. The converted IF* signal is amplified and buffer amplified, then applied to the MAIN UNIT via LPF.

The IF* signal from the SCOPE/TV UNIT is amplified, and applied to the A/D converter, to be converted to the digital signal. The converted digital signal is applied to the scope DSP IC and processed to convert its data format for spectrum scope screen.

• SCOPE CIRCUIT



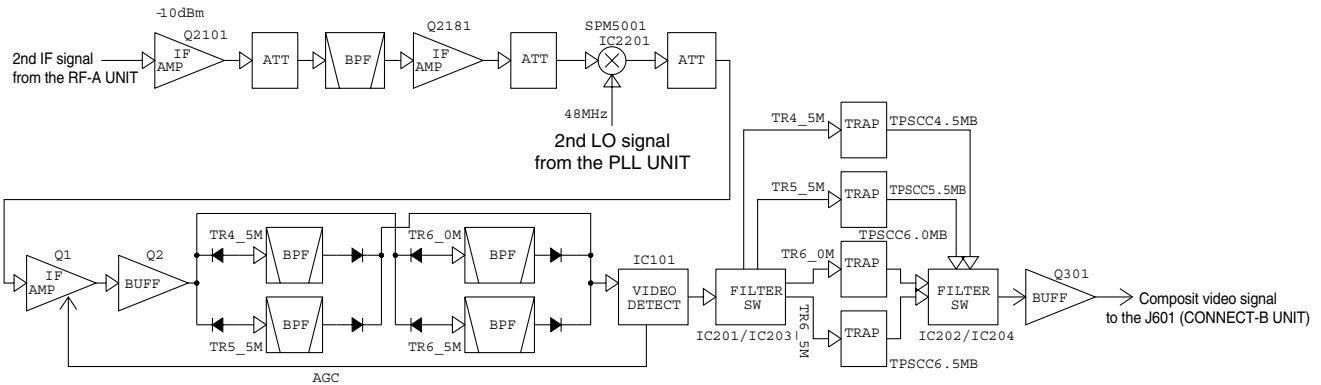
*; 1st IF for 0.005–29.999 MHz signals. 2nd IF for 30–3335 MHz signals.

-VIDEO AM-DEMODULATION- (except for USA version)

The 2nd IF signal divide at the splitter is amplified and filtered, then converted into the 3rd IF (video IF) signal at 3rd mixer (IC2201). The converted video IF signal is amplified, then passed through the video IF filters. The filtered video IF signal is applied to the video demodulation IC and AM-demodulated.

The demodulated video signals are passed through Band Eliminate Filter (BEF; as the trap) to remove unwanted beat components. The filtered signal is buffer-amplified and output from the video jack on the CONNECT-B UNIT.

• VIDEO AM-DEMODULATION CIRCUIT

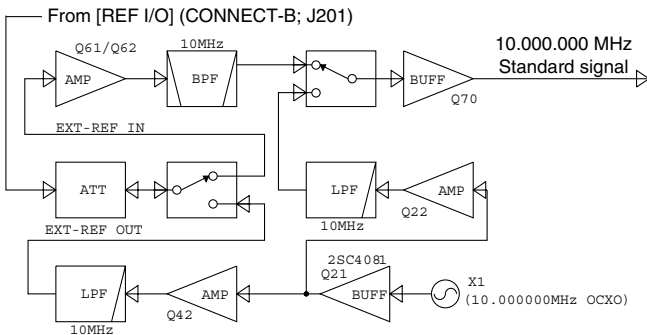


3-2 FREQUENCY SYNTHESIZER OSC UNIT

The OSC UNIT supplies very high stability 10.000000 MHz standard frequency signal generated by the OCXO (Oven Controlled X'tal Oscillator). The oscillated reference frequency signal is buffer-amplified and amplified and filtered to remove harmonic components at the LPF. The filtered reference frequency signal is applied to the PLL UNIT via the buffer.

The reference frequency signal is also available from the external reference frequency source (10.000000 MHz) via [REF I/O] (CONNECT-B UNIT; J201). The reference frequency signal from the CONNECT-B UNIT is passed through the attenuators, BPF and switches, then buffer-amplified before being applied to the PLL UNIT.

• OSC CIRCUITS



PLL UNIT

PLL UNIT supplies the LO (Local Oscillator) signals (1st, 2nd, 3rd and 4th), still more the clock signals for DSP circuits. To obtain physical strength for the VCO1, VCO2, DOUBLER, FIL1 and FIL2 BOARDS, these circuits are shielded and isolated perfectly, by being patterned separately on different P.C. boards.

VCO1 BOARD

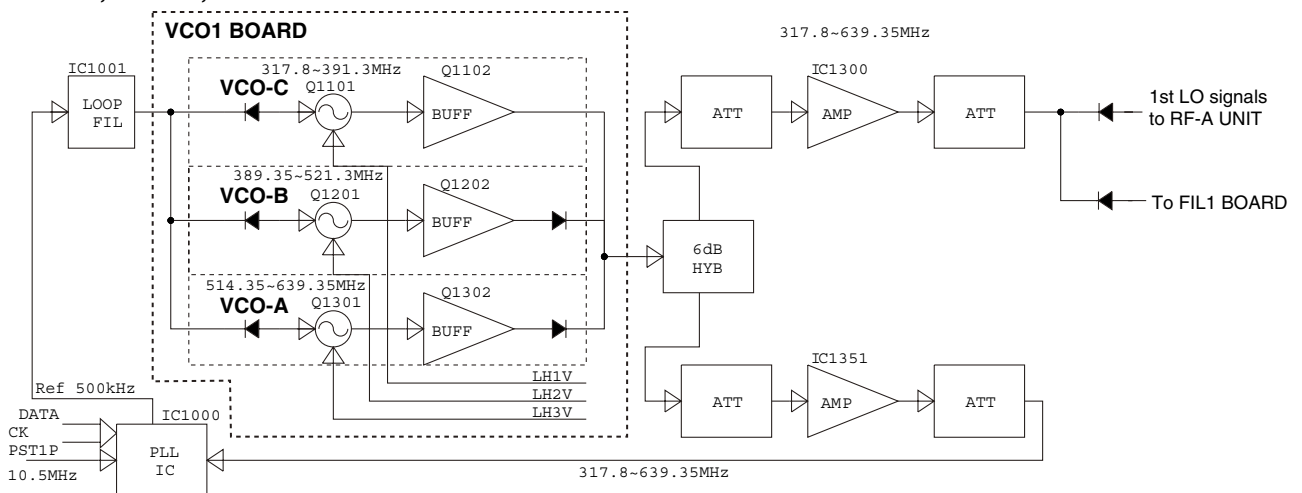
VCO1 BOARD has tree VCOs ;VCO-A, VCO-B and VCO-C.

VCO-A (Q1301), as an example, is a colpitts-typed oscillator circuit, and its output signal is buffered by Q1302 and output via diode switch. Q1303 controls the power supply for the VCO, and the voltage of LH3V line adjusts the oscillation level for suitable LO signal level.

The buffer-amplified VCO output signals are divided by the divider, and applied to the LO amplifier via attenuator (as a pad). The amplified LO signals are applied to the RF-A UNIT or FIL1 BOARD as the 1st LO signals, via filters and amplifiers.

The VCO-A is mounted on the nearest to VCO1 board to reduce the signal loss. The resonators are employed strip lines which had been used with SMD electric parts. The oscillating frequency ranges are divide into three for wide oscillation frequency coverage.

• VCO-A, VCO-B, VCO-C LOOP



VCO2 BOARD

VCO2 BOARD provides the 2nd LO signals for receiving the both of VHF and UHF bands, and contains 3 VCOs oscillating 220 MHz, 720 MHz and 837.4 MHz LO signals.

The 220MHz band VCO is a totem pole typed one with bipolar TRs (Q4100 and Q4101). 20MHz, and 837.4MHz band VCOs are employed tank typed resonator with FETs (Q4201 and Q4301) to obtain good C/N capability.

DOUBLER BOARD

1st LO signals for receiving 1GHz and below frequency are doubled by doublers on the DOUBLER BOARD.

IC-R9500 employed doubler which produces 1st LO signals for the receiving 1.8 GHz and above, and improved the IP3 characteristic and sensitivity, and more, destroyed the necessary of the converter circuits.

The doubler circuit is balanced type and composed by bipolar transistors (Q2200, Q2201). The employment of transistors improved lower conversion loss than by diodes, and the same capability of attenuating odd numbered harmonics as by diodes.

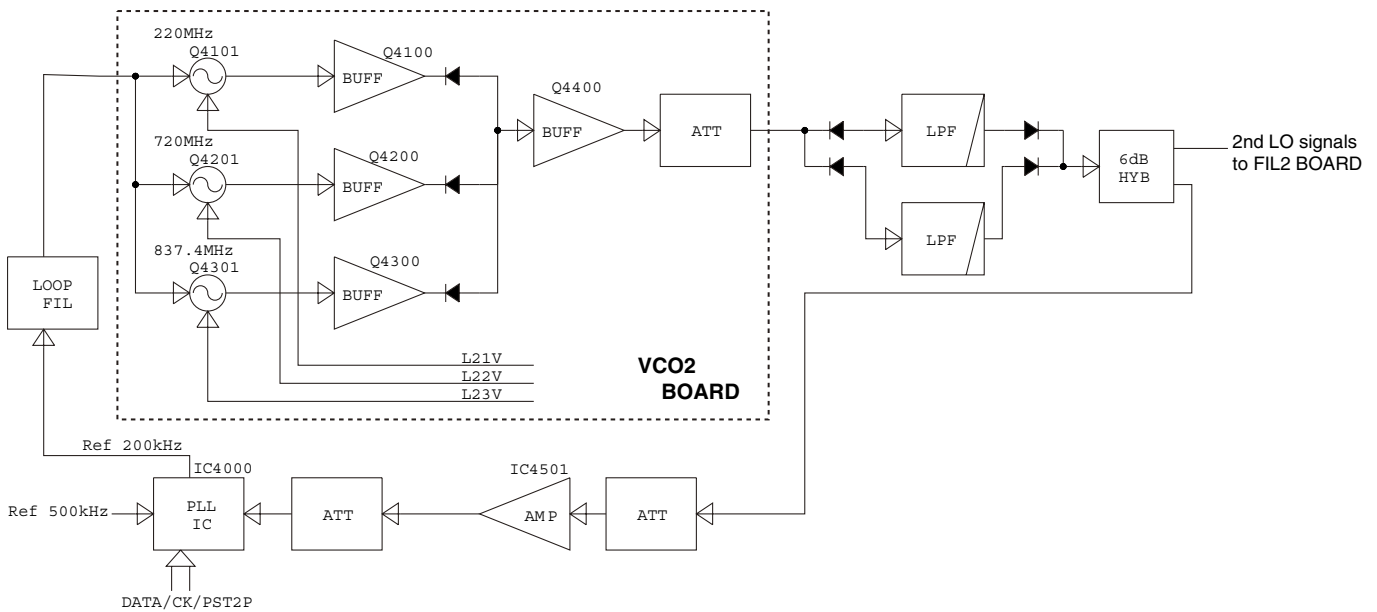
FIL1 BOARD

Fil1 board doubles and filters the 1st LO signals for receiving VHF and UHF bands. To suppress the directly oscillated frequency ($F_{osc} \times 1$) MHz and harmonics ($F_{osc} \times N$) MHz, three staged filters are used.

FIL2 BOARD

Fil2 board doubles and filters 2nd LO signals. By expanding the pass band width of the BPF, the BPF commonly used for the 1st LO signals generated by 220MHz, 720MHz and 837.4MHz VCOs. MMIC (IC4450) is inserted in front of the filter to make up the 1st LO signal level.

• VCO2 LOOP



3-3 LOGIC UNIT

LOGIC UNIT generally controls the whole of the circuit of the IC-R9500, and processes audio signal.

MAIN CONTROLLER

Two CPU's; IC103 (CPU1) and IC604 (CPU2) communicate each other via the dual port SRAM (IC51). As the external I/O port for these two CPU's, CPU1 has CPLD (IC52) and CPU2 has CPLD (IC605) to control each in/output. An external SDRAM is connected to the CPU1 for work space.

On the MEMORY BOARD, two FLASH ROMs (IC1 and IC2) are mounted for storing program, image and audio files.

VIDEO, AUDIO AND USB PROCESSOR

IC203 is a processor for video, audio and USB, and each data is stored in SDRAM (IC201, IC202).

LAN DRIVER

LAN driver IC (IC404) conduct the LAN communications via the pulse trans (T401). The EEPROM (IC403) stores the settings for LAN connection.

COMPACT FLASH

IC402 is the power controller for inserted compact flash card, and its output voltage is selected from 5V and 3.3V.

VIDEO SIGNAL PROCESSOR

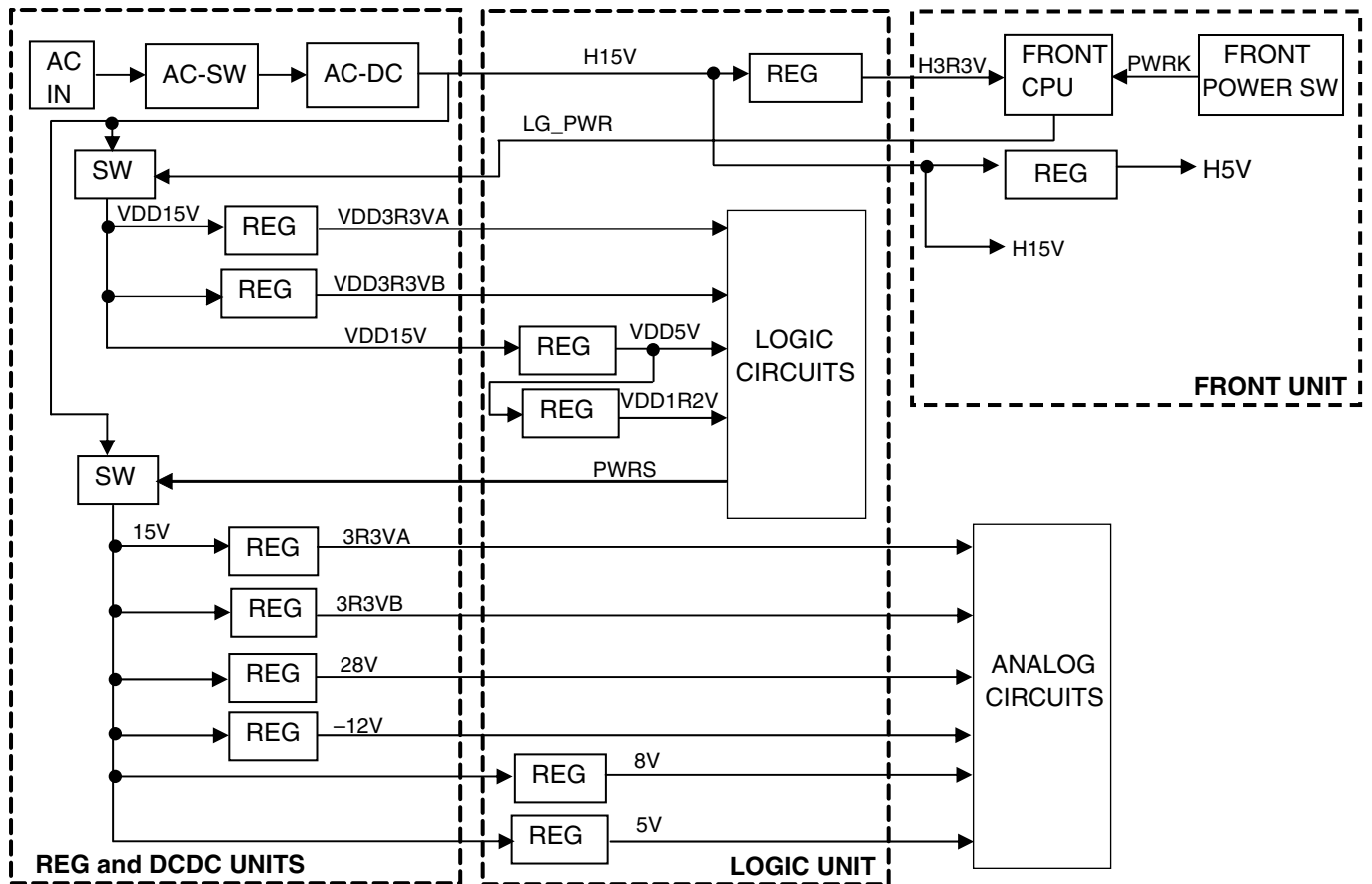
IC856 is a video encode/decode IC and converts the analog composite video signal to digital video signal, and converts the digital video signal into analog RGB video signal.

A portion of the video signal (RGB) is output to the FRONT UNIT, and other is converted into the analog RGB signal and output from the J803.

3-4 POWER SUPPLY CIRCUITS

Voltage from the power supply is routed to the whole of the receiver.

• VOLTAGE BLOCK DIAGRAM



3-5 PORT ALLOCATIONS

MAIN CPU1 (LOGIC UNIT; IC103)

Pin number	Port name	Description
1	TMS	Input port for the mode signal.
2	TCK	Input port for the clock signal.
5	TDI	Input port for the data signal.
6–10	CS0, CS1, CS4, CS5, CS6	Output chip select signals.
11	BS	Outputs bus starting signal.
12	WE0/REG	Outputs D7–D0 select signal.
13	WE1	Outputs D15–D8 select signal.
14	D0	I/O port for the data signal.
19–28, 31–35	D1–D10, D11–D15	I/O ports for the data signals.
36	CAS0/DQM0	Outputs D7–D0 select signal.
37	CAS1/DQM1	Outputs D15–D8 select signal.
38	RD/WR	Outputs read/write control signal.
39	CKIO	Outputs clock signal.
49, 50	CS2, CS3	Output chip select signals.
51–54, 57–66, 69–72	A0–A3, A4–A13, A14–A17	Output address signals.
73	CAS2/DQM2	Outputs D23–D16 select signal.
74	CAS3/DQM3	Outputs D31–D24 select signal.
75–78, 83–92, 95, 96	D16–D19, D20–D29, D30, D31	I/O ports for the data signals.
99–104, 107, 108	A18–A23, A24, A25	Output address signals.
109	WE2/ICIORD	Outputs D23–D16 select signal.
110	WE3/ICIOWR	Outputs D31–D24 select signal.
113	SLEEP	Input port for the sleep signal.
125	PCICLK	Input port for the clock signal from the buffer amplifier (IC106).
128	SERR	I/O port for the system error signal.
129, 130, 133–138, 140–142, 147–151	AD31, AD30, AD29–AD24, AD23–AD21, AD20–AD16	I/O ports for the buffer amplifier (IC106) address signals.
156	DEVSEL	I/O port for the device selecting signal.
164–168, 171–173, 177–182, 185, 186	AD15–AD11, AD10–AD8, AD7–AD2, AD1, AD0	I/O ports for the buffer amplifier (IC106) address signals.
187–190	IRL0–IRL3	Input ports for the interrupt signals.
193	XTAL2	Output port for the crystal oscillator.
194	EXTAL2	Input port for the crystal oscillator signal.
197	CA	Input port for the hardware stand-by signal.

Pin number	Port name	Description
198, 199	RESET, TRST	Input ports for the reset signal.
200	MRESET	Input port for the manual reset signal.
212	RXD	Input port for the buffer amplifier (IC106) data signal.
215	SCK	I/O port for the buffer amplifier (IC106) clock signal.
246	TDO	Outputs the data signal.
255	XTAL	Output port for the crystal oscillator.
256	EXTAL	Input port for the crystal oscillator signal.

MAIN CPU2 (LOGIC UNIT; IC604)

Pin number	Port name	Description
5-9 11-17 19, 20	H8_A0-A4, H8_A5-A11, H8-A12, A13,	Output address bus signals.
21	UNLKA	Input port for hte PLL unlock signal from the PLL unit.
22	UNLKB	Input port for hte PLL unlock signal from the PLL unit.
23	ECK	Outputs clock signal to the EEPROM.
24	EDT	I/O port for the data signal from/to the EEPROM.
26	DSCLA	Outputs clock signal to the EEPROM on the RF-Aunit.
27	DSDAA	I/O port for the data signal from/to the EEPROM on the LOGIC unit.
28	DSCLB	Outputs clock signal to the EEPROM on the LOGIC unit.
29	DSDAB	I/O port for the data signal from/to the EEPROM on the LOGIC unit.
30	RTKI	Input port for the RTTY keying signal.
31	TRVI	Input port for the transverter control signal from ACC jack on the rear panel.
33	SDAT	Outputs data signals to the DDS, PLL and DSPICs on the SCOPE/TV/TV unit.
34	SST2	Outputs strobe signal to the PLL IC on the SCOPE/TV unit.
35	EXRL1	Outputs external SEND relay (lead type) control signal. High : The relay switches ON.
36	EXRL2	Outputs external SEND relay (semi-conductor type) control signal. High : The relay switches ON.
42	PCK/CON0	Outputs clock signal to the PLL ICs.
43	PDAT/CON1	Outputs data signal to the PLL ICs.
46	PSLA	Outputs strobe select signal to the PLL ICs.
47	PSTA	Outputs strobe signal to the PLL ICs.
48	PSLB	Outputs strobe select signal to the PLL IC.
49	PSTB	Outputs strobe signal to the PLL IC.
51	MCK	Outputs clock signal to the ICs (other than PLL, SCOPE/TV and DSP ICs).
52	MDAT	Outputs data signal to the ICs (other than PLL, SCOPE/TV and DSP ICs).
54	CTXD	Output port for the CI-V data.
55	CRXD/CBSY	Input port for the CI-V data and CI-V bus busy signals.

Pin number	Port name	Description
56	DSPCK	Outputs clock signal to the DSP IC.
57	DSPR	Outputs data signal to the DSP IC.
58	ISTA	Outputs start signal to the internal antenna tuner.
59	SST1	Outputs chip select signal to the DDS IC on the SCOPE/TV unit.
60	SPS0	Outputs profile select signal to the DDS IC on the SCOPE/TV unit.
61	SCK	Outputs clock signals to the DDS, PLL and DSP ICs on the SCOPE/TV unit.
63-69, 71, 73-80	H8_D0- H8_D15	I/O port for data bus signals.
81	MUTI	Input port for the external mute control signal. High : Mute ON.
83	NSQA	Input port for the noise pulse signal from the MAIN unit.
104	OCK	Input port for the noise pulse signal from the MAIN unit.
105	ODAT	Outputs serial data to the OSC unit. (Commonly used for DDS)
106	OCS	Outputs chip select signal to the OSC unit.
107	OSS1	Outputs REFcontrol signal to the OSC unit. High : Outputs reference signal.
108	OSS2	Outputs REF select signal to the OSC unit. High : External reference signal.
109	FRWT	Outputs farm-up control signal. Low : Output control signal.
110	DULS	Outputs AF mute control signal to the RX circuit. Low : Squelch is open.
113	LPLVL	Input port for the "FOR" signal.
114	HPLV	Input port for the "REF" signal.
115	2PLV	Input port for 2nd LO signal. (for monitoring.)
116	3PLV	Input port for 3rd LO signal. (for monitoring.)
117	CMETL	Input port for the VD meter control signal.
118	UNLK	Input port for PLL unlock signal from PL IC.
138	SDSPCK	Outputs clock signal to the D/A converter (IC603).
140	DFRS	Outputs serial data signal for command data.
142	SDSPR	Outputs clock signal for command data.

CPLD (LOGIC UNIT; IC605)

Pin number	Port name	Description
1–27	H8_A13– H8_WAIT#	Outputs data signal to CPU2 (IC604).
28–37	DPL_BUSY DPL_LB#	Outputs data signal to dual SRAM (IC51).
45	TDO0	Outputs data signal to CPU2 (IC604).
47	TMS	Outputs serial data signal to CPU2 (IC604).
48	TCK	Outputs clock data signal to CPU2 (IC604).
49–58	IMS0–IMS7	Outputs serial data signal.
63	HFANTI	Outputs control signal to ANT unit. High : ANT 1 is selected. Low : ANT 2 is selected.
64	HFANTO	Outputs control signal to ANT unit. High : V/U ANT 1 is selected. Low : V/U ANT 2 is selected.
65	BSTB	Outputs strobe signal to BPF unit.
66	RASTB	Outputs strobe signal to RF-A unit.
67	RBSTB	Outputs strobe signal to RF-B unit.
68	DSON	Outputs serial data to DSP IC (MAIN UNIT; IC1005).
70	DSAP	Outputs serial data to DSP IC (MAIN UNIT; IC1005).
71	DSTB	Outputs strobe signal to DSP IC (MAIN UNIT; IC1005).
81	APIRQ	Outputs IRQ signal to unit.
82	APSI	Input port for serial data from attached UT-122.
85	APCK	Outputs clock signal to attached UT-122.
86	APSO	Outputs serial data to attached UT-122.
87	APSTB	Outputs strobe signal to attached UT-122.
89	APBUSY	Input port for “BUSY” from attached UT-122.
90–92	APAFSL1– APAFSL3	Output AF line control signal to the AF circuits.
94	DRESL	Input port for reset signal.
99	PLD_RES	Input port for reset signal.

FRONT CPU (DISPLAY BOARD)

Pin number	Port name	Description
1	CNTV	Outputs LCD contrast control signal.
2	BRIV	Outputs LCD brightness control signal.
3	LDAT	Outputs data signal to the SERI PARA IC (IC7).
4	LST	Outputs strobe signal to the SERI PARA IC (IC7).
5	RTCK	Outputs clock signal to the clock IC (IC601).
8	RTCCE	Outputs the clock IC (IC601) select signal. High: The clock IC is selected.
9	MOND	Outputs [RECEIVE] LED control signal.
17	SRDLYD	Input port for [DELAY] swith.
18	DIALC	Input port for [MAIN DIAL] (phase C).
19	DIALB	Input port for [MAIN DIAL] (phase B).
20	DIALA	Input port for [MAIN DIAL] (phase A).
21	SROFFD	Input port for [OFF] key (scan resume).
22	DLOCKD	Outputs control signal to [ROCK] LED.
23	REMOTD	Outputs control signal to [REMOTE] LED.
25	BKLS	Outputs control signal to backlight LED.
26	CFLV	Outputs control signal to CF LED.
28	PHNI	Input port for headphone detect signal.
34	LRXD	Input port for data by 38400 bps.
35	CLKOFS	Outputs clock control signal (ON).
36	CLKONS	Outputs clock control signal (OFF).
37	RXD	Outputs control signal to [RECEIVE] LED.
38	RCTDT	I/O port for data signals from/to clock IC (IC601).
45	MODEK	Input port for [MODE] swith.
46	SELSK	Input port for [SCAN] swith.
47	MEMOSK	Input port for [MEMO] swith.
48	FINESK	Input port for [FINE] swith.
49	DLTPSK	Input port for [DELTA] swith.
50	PROGSK	Input port for [PROG] swith.
51	PRIOSK	Input port for [PRIO] swith.
52	TSDNK	Input port for [TS] (DOWN) swith.
53	TSUPK	Input port for [TS] (UP) swith.
54	MONIK	Input port for [MONI] swith.
55	PLYK	Input port for [PLAY] swith.
56	RECK	Input port for [REC] swith.
57	DUPK	Input port for [DUP] swith.
58	LCDSK	Input port for [LCD SET] swith.
59	DIMK	Input port for [DIMMER] swith.
61	DISPK	Input port for [DISPLAY] swith.
63	MSCK	Input port for [M.SCOPE] swith.
64	F1K	Input port for [F-1] swith.
65	F2K	Input port for [F-2] swith.
66	F3K	Input port for [F-3] swith.
67	F4K	Input port for [F-4] swith.

Pin number	Port name	Description
68	F5K	Input port for [F-5] swith.
69	F6K	Input port for [F-6] swith.
70	F7K	Input port for [F-6] swith.
71	FMK	Input port for [FM] swith.
72	WFMK	Input port for [WFM] swith.
73	PWRK	Input port for [POWER] swith.
74	AMK	Input port for [AM] swith.
75	SSBK	Input port for [SSB] swith.
76	P SKK	Input port for [PSK] swith.
77	DIGIK	Input port for [F-6] swith.
78	EXTK	Input port for [DIGITAL] swith.
79	BANKB	Input port for [BANK] dial (phase A).
80	BANKA	Input port for [BANK] dial (phase B).
81	MCHB	Input port for [M-CH] dial (phase B).
82	MCHA	Input port for [M-CH] dial (phase A).
83	PBT2B	Input port for [NOTCH1] dial (phase B).
84	PBT2A	Input port for [NOTCH1] dial (phase A).
85	PBT1B	Input port for [NOTCH2] dial (phase B).
86	PBT1A	Input port for [NOTCH2] dial (phase A).
87	LG_RES	Input port for reset signal.

SECTION 4 ADJUSTMENT PROCEDURE

4-1 PREPARATION

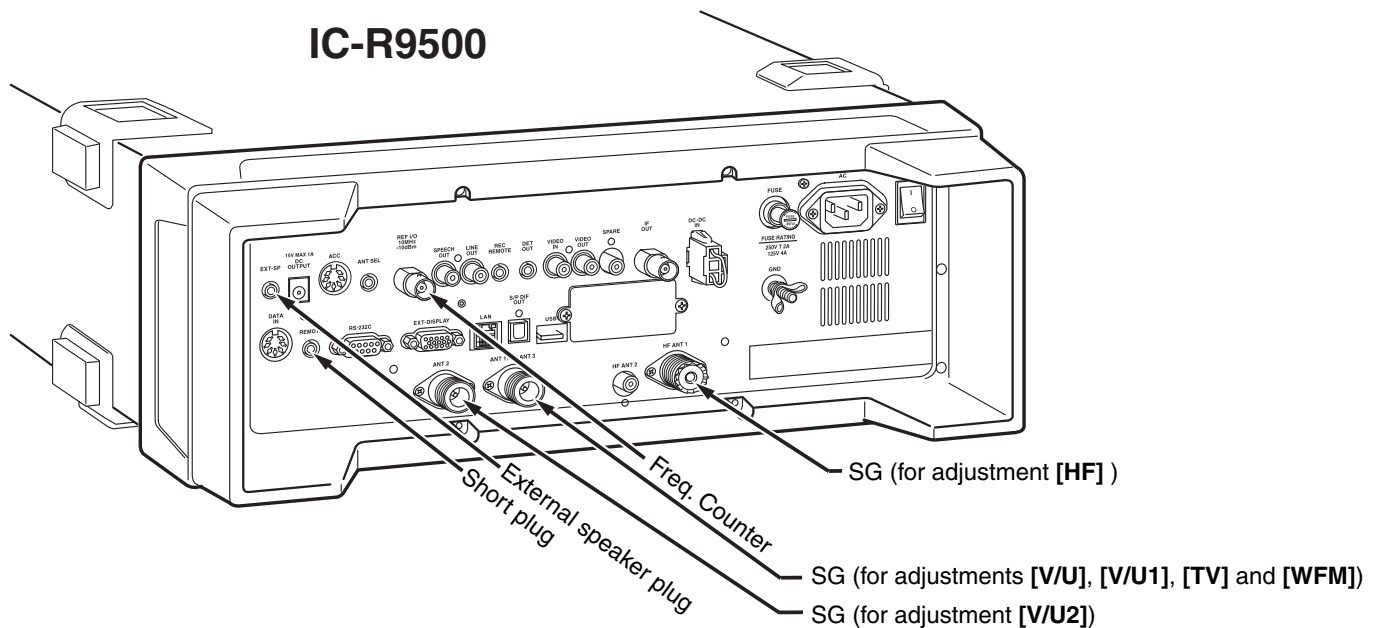
REQUIRED TEST EQUIPMENTS

EQUIPMENT	GRADE AND RANGE	EQUIPMENT	GRADE AND RANGE
DC voltmeter	Input impedance : 50 k Ω /V DC or better	Standard signal generator (SG)	Frequency range : 0.1–3.5 GHz Output level : 0.1 μ V to 32 mV (–127 to –17 dBm) Output impedance : 50 Ω Modulation : None
RF Milliwatt meter	Measuring range : 0.5–5 dBm Input impedance : 50 Ω		AC millivoltmeter
Frequency counter	Frequency range : 0.1–300 MHz Frequency accuracy: \pm 1 ppm or better Sensitivity : 100 mV or better	External speaker	Input impedance : 8 Ω Capacity : More than 5 W

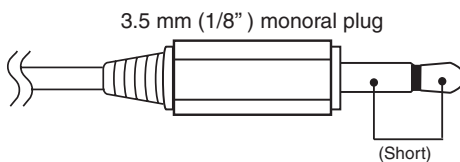
ENTERING ADJUSTMENT MODE

- ① Connect the short plug (see the illustration below) to the [REMOTE] jack.
- ② Push and hold [FM] and [WFM] keys then turn the power ON.
- ③ The main adjustment menu will appear as next page.

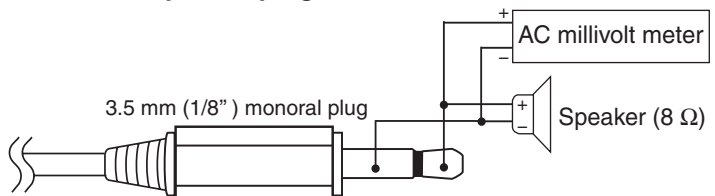
CONNECTION



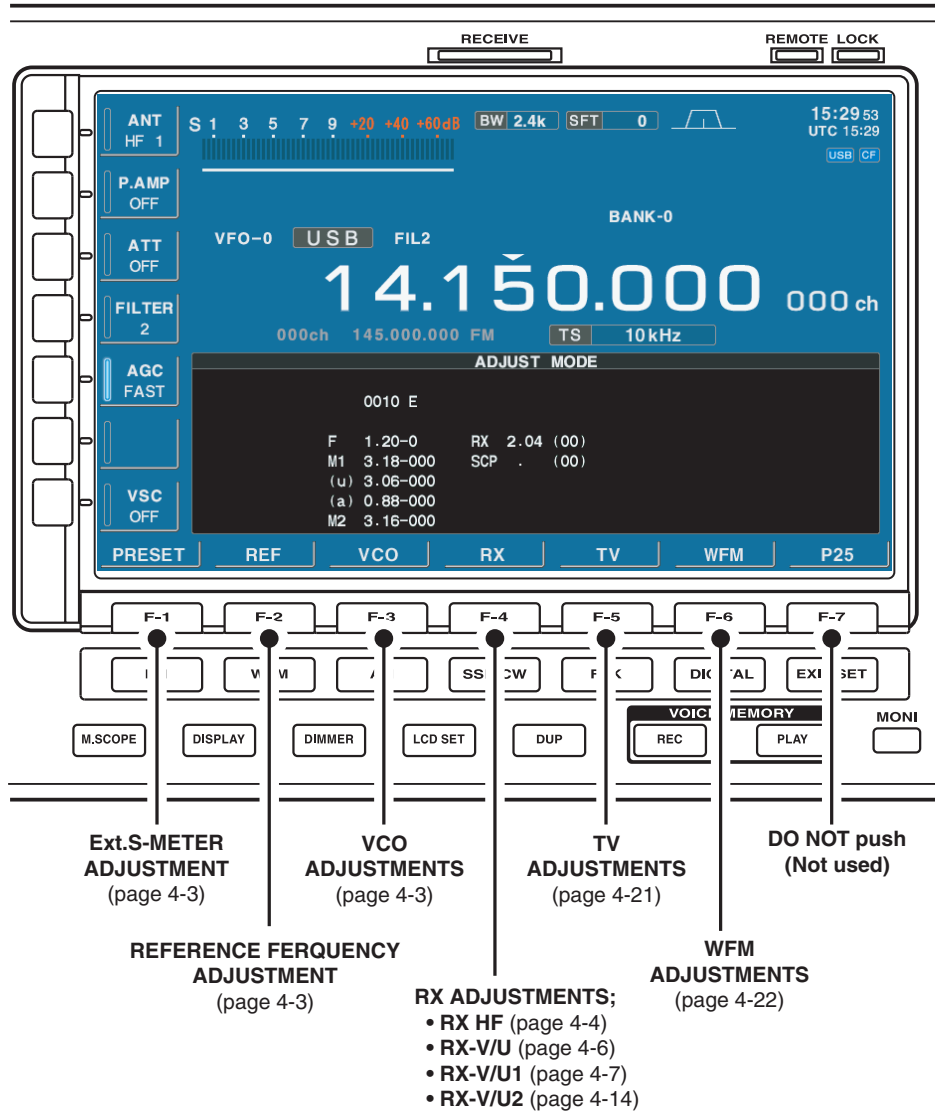
• Short plug



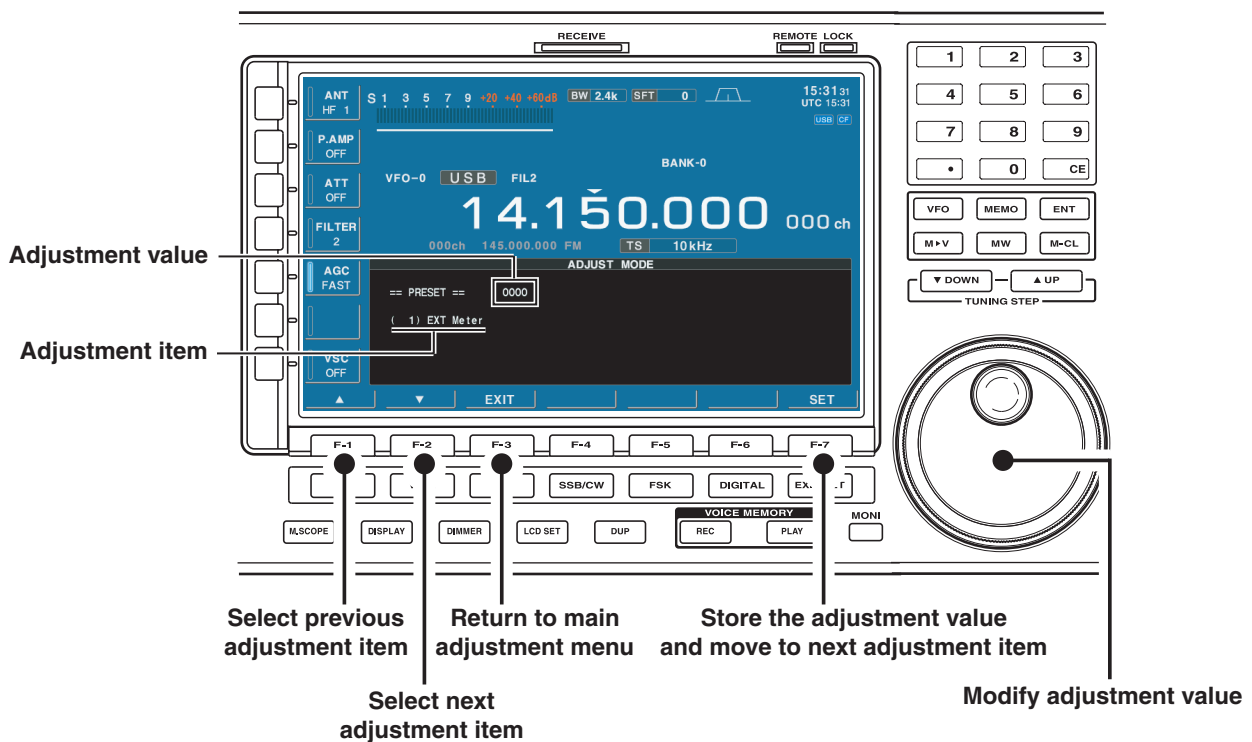
• External speaker plug



MAIN ADJUSTMENT MENU



INDIVIDUAL ADJUSTMENT DISPLAY



4-2 EXT. S-METER AND REFERENCE FREQUENCY ADJUSTMENTS [EXT Meter], [REF]

NOTE: HOLD the adjustment condition (SG level and frequency etc.) until next ADJ item is displayed.

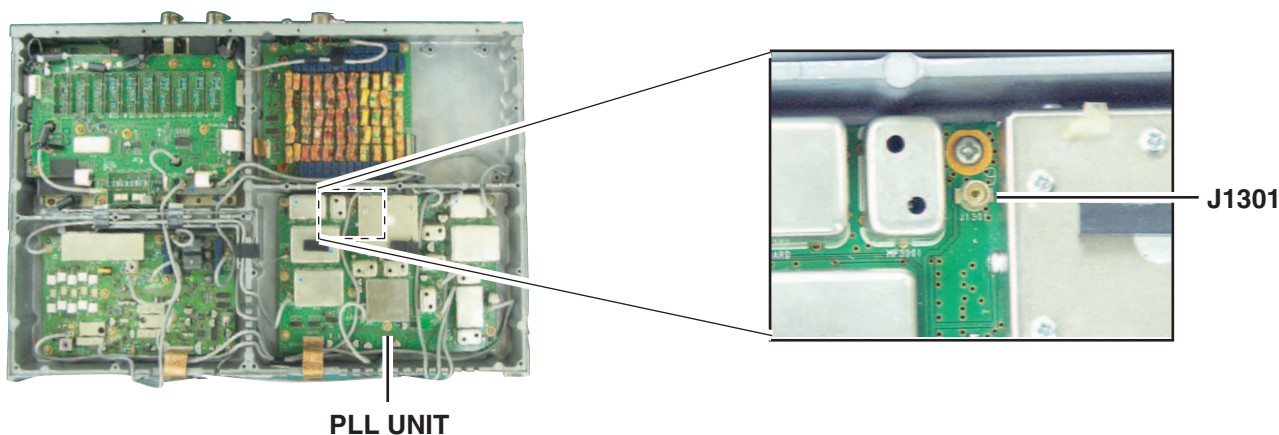
ADJUSTMENT ITEM	ADJUSTMENT CONDITION	OPERATION	VALUE
EXTERNAL S-METER [EXT Meter]	1) Push [F-1•PRESET] key to select EXTERNAL S-METER ADJUSTMENT.		"0000"
	2) Rotate the [MAIN DIAL] to set the ADJ value. Push [F-7] key, to return to the main adjustment menu.		
REFERENCE FREQUENCY [REF]	NOTE: Wait 5 minutes or more after the power is turned ON to perform the adjustment properly.		
	1) Push [F-2•REF] key to select REFERENCE FREQUENCY ADJUSTMENT.		
	2) Connect a Frequency Counter to [REF I/O].	Rotate the [MAIN DIAL] to adjust the reference frequency. Push [F-7] key, to return to the main adjustment menu.	10.000,000 MHz

4-3 VCO ADJUSTMENTS [VCO]

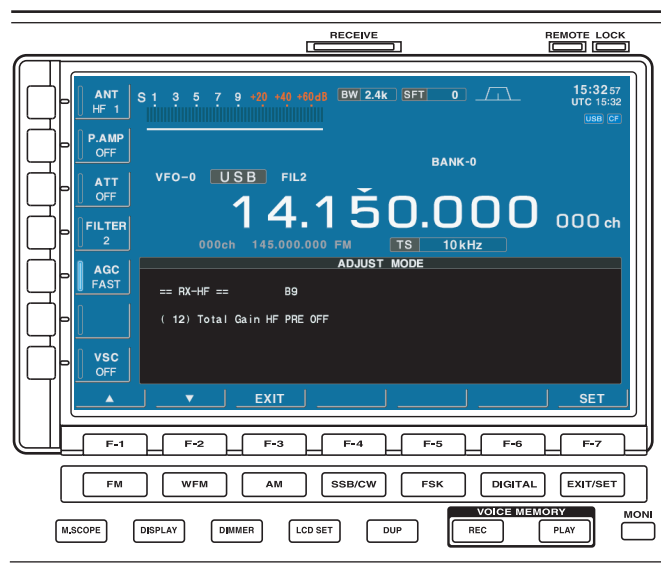
• Push [F-3•VCO] key to select VCO ADJUSTMENT.

NOTE: HOLD the adjustment condition (SG level and frequency etc.) until next ADJ item is displayed.

ADJUSTMENT ITEM	OPERATION	VALUE	
LOCK VOLATGE [1ST DDS LOCK]	Push [F-7] key.	(Automatic adjustment)	
[2LO VCO1- LOCK]	Push [F-7] key.		
[2LO VCO2 LOCK]	Push [F-7] key.		
[2LO VCO3 LOCK]	Push [F-7] key.		
[3LO VCO LOCK]	Push [F-7] key.		
[4LO VCO LOCK]	Push [F-7] key.		
ADJUSTMENT ITEM	ADJUSTMENT CONDITION	OPERATION	VALUE
VCO OUTPUT LEVEL [1LO VCO1 LEVEL]	• Connect an RF Power Meter to J1301 on PLL UNIT.	Rotate [MAIN DIAL] to adjust the VCO output level. Push [F-7] key.	+1.5 dBm
[1LO VCO2 LEVEL]	(same as above)	Rotate [MAIN DIAL] to adjust the VCO output level. Push [F-7] key.	
[1LO VCO3 LEVEL]	(same as above)	Rotate [MAIN DIAL] to adjust the VCO output level. Push [F-7] key, to return to the main adjustment menu.	+2.0 dBm



4-4 RECEIVE ADJUSTMENTS (HF) [RX-HF]



- Push [F-4•RX] key to enter the receive adjustment menu then push [F-1•RX-HF] key to select RX-HF ADJUSTMENT.
- Connect an AC millivoltmeter to the [EXT-SP] jack.
- Connect an SG to [HF-ANT1] and set as;
 - Frequency : 14.1515 MHz
 - Modulation : None

NOTE: HOLD the adjustment condition (SG level and frequency etc.) until next ADJ item is displayed.

ADJUSTMENT ITEM	ADJUSTMENT CONDITION	OPERATION	VALUE
TOTAL GAIN [Total Gain HF PRE OFF]	1) Set the SG as; Level : +60 dBu	Measure the AF output level and set it as the reference level (0 dB).	0 dB
	2) Set the SG as; Level : OFF	Rotate [MAIN DIAL] to adjust the AF output level. Push [F-7] key.	30 dB less than reference level above
[Total Gain HF PRE1 ON]	• Set the SG as; Level : OFF	Rotate [MAIN DIAL] to adjust the AF output level. Push [F-7] key.	
[Total Gain HF PRE2 ON]	• Set the SG as; Level : OFF	Rotate [MAIN DIAL] to adjust the AF output level. Push [F-7] key.	
DSP GAIN-UP TOTAL GAIN [Gain UP Total Gain HF PRE OFF]	1) Set the SG as; Level : +60 dBu	Measure the AF output level and set it as the reference level (0 dB).	0 dB
	2) Set the SG as; Level : OFF	Rotate [MAIN DIAL] to adjust the AF output level. Push [F-7] key.	15 dB less than reference level above
[Gain UP Total Gain HF PRE1 ON]	• Set the SG as; Level : OFF	Rotate [MAIN DIAL] to adjust the AF output level. Push [F-7] key.	12 dB less than reference level above
[Gain UP Total Gain HF PRE2 ON]	• Set the SG as; Level : OFF	Rotate [MAIN DIAL] to adjust the AF output level. Push [F-7] key.	10 dB less than reference level above
EXTERNAL AGC [AGC(RX-DSP)]	• Set the SG as; Level : +70 dBu	Push [F-7] key.	(Automatic adjustment)
S-MERTER [HF S0 LEVEL]	• Set the SG as; Level : OFF	Push [F-7] key.	(Automatic adjustment)
[HF S9 LEVEL]	• Set the SG as; Level : +34 dBu	Push [F-7] key.	
[S9+60 LEVEL]	• Set the SG as; Level : +94 dBu	Push [F-7] key.	

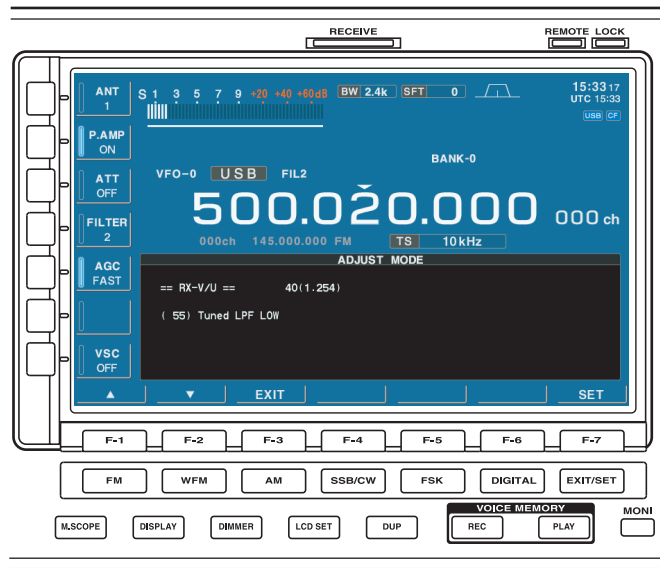
NOTE: HOLD the adjustment condition (SG level and frequency etc.) until next ADJ item is displayed.

ADJUSTMENT ITEM	ADJUSTMENT CONDITION	OPERATION	VALUE
FIELD STRENGTH METER	• Set the SG as; Frequency : 14.1515 MHz Modulation : None		
[HF dBu -20dB]	• Set the SG as; Level : -20 dBu	Push [F-7] key.	(Automatic adjustment)
[HF dBu -10dB]	• Set the SG as; Level : -10 dBu	Push [F-7] key.	
[HF dBu 0dB]	• Set the SG as; Level : 0 dBu	Push [F-7] key.	
[HF dBu 10dB]	• Set the SG as; Level : +10 dBu	Push [F-7] key.	
[HF dBu 20dB]	• Set the SG as; Level : +20 dBu	Push [F-7] key.	
[HF dBu 40dB]	• Set the SG as; Level : +40 dBu	Push [F-7] key.	
[HF dBu 60dB]	• Set the SG as; Level : +60 dBu	Push [F-7] key.	
[HF dBu 80dB]	• Set the SG as; Level : 80 dBu	Push [F-7] key.	
BPF LOSS	• Set the SG as; Level : +40 dBu		
[HF BPF0 LOSS]	• Set the SG as; Frequency : 0.2515 MHz	Push [F-7] key.	(Automatic adjustment)
[HF BPF1 LOSS]	• Set the SG as; Frequency : 1.1015 MHz	Push [F-7] key.	
[HF BPF2 LOSS]	• Set the SG as; Frequency : 1.8215 MHz	Push [F-7] key.	
[HF BPF3 LOSS]	• Set the SG as; Frequency : 2.6015 MHz	Push [F-7] key.	
[HF BPF4 LOSS]	• Set the SG as; Frequency : 3.6015 MHz	Push [F-7] key.	
[HF BPF5 LOSS]	• Set the SG as; Frequency : 5.1015 MHz	Push [F-7] key.	
[HF BPF6 LOSS]	• Set the SG as; Frequency : 7.0815 MHz	Push [F-7] key.	
[HF BPF7 LOSS]	• Set the SG as; Frequency : 10.1015 MHz	Push [F-7] key.	
[HF BPF9 LOSS]	• Set the SG as; Frequency : 18.1515 MHz	Push [F-7] key.	
[HF BPF10 LOSS]	• Set the SG as; Frequency : 28.1015 MHz	Push [F-7] key.	
W-BPF LOSS [HF W-BPF LOSS MIN]	• Set the SG as; Frequency : 1.1015 MHz	Push [F-7] key.	
[HF W-BPF LOSS CENTER]	• Set the SG as; Frequency : 14.1515 MHz	Push [F-7] key.	
[HF W-BPF LOSS MAX]	• Set the SG as; Frequency : 28.1015 MHz	Push [F-7] key.	
PRE1 GAIN FREQUENCY CHARACTERISTIC [HF PRE1 Gain f MIN]	• Set the SG as; Frequency : 1.1015 MHz	Push [F-7] key.	
[HF PRE1 Gain f CENTER]	• Set the SG as; Frequency : 14.1515 MHz	Push [F-7] key.	
[HF PRE1 Gain f MAX]	• Set the SG as; Frequency : 28.1015 MHz	Push [F-7] key.	
PRE1 GAIN FREQUENCY CHARACTERISTIC [HF PRE2 Gain f MIN]	• Set the SG as; Frequency : 1.1015 MHz	Push [F-7] key.	
[HF PRE2 Gain f CENTER]	• Set the SG as; Frequency : 14.1015 MHz	Push [F-7] key.	
[HF PRE2 Gain f MAX]	• Set the SG as; Frequency : 28.1015 MHz	Push [F-7] key.	

NOTE: HOLD the adjustment condition (SG level and frequency etc.) until next ADJ item is displayed.

ADJUSTMENT ITEM	ADJUSTMENT CONDITION	OPERATION	VALUE
ATTENUATION [HF ATT 6dB] ----- [HF ATT 12dB] ----- [HF ATT 24dB]	<ul style="list-style-type: none"> Set the SG as; Frequency : 14.1515 MHz Level : +40 dBu 	Push [F-7] key.	(Automatic adjustment)
		Push [F-7] key.	
		Push [F-7] key.	
ROOFING FILTER LOSS [HF FIL 3k LOSS] ----- [HF FIL 6k LOSS] ----- [HF FIL 50k LOSS]	<ul style="list-style-type: none"> Set the SG as; Frequency : 14.1515 MHz Level : +40 dBu 	Push [F-7] key.	(Automatic adjustment)
		Push [F-7] key.	
		Push [F-7] key.	

4-5 RECEIVE ADJUSTMENTS (VHF and UHF) [RX-V/U]

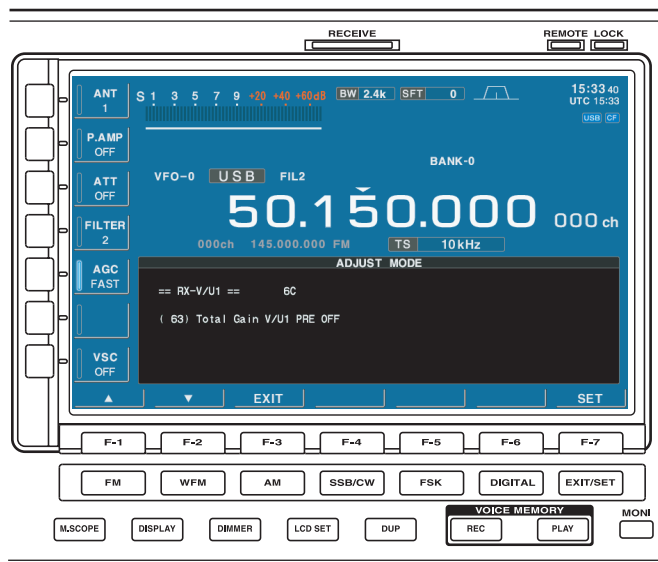


- Push [F-2•RX V/U] key to select RX V/U ADJUSTMENT.
- Connect an AC millivoltmeter to the [EXT-SP] jack.
- Connect an SG to [ANT1/HF ANT3], and set as;
Modulation : None

NOTE: HOLD the adjustment condition (SG level and frequency etc.) until next ADJ item is displayed.

ADJUSTMENT ITEM	ADJUSTMENT CONDITION	OPERATION	VALUE
TUNED LPF [Tuned LPF LOW]	<ul style="list-style-type: none"> Set the SG as; Frequency : 1057.4215 MHz Level : +50 dBu Modulation : None 	Rotate [MAIN DIAL] to adjust the AF output level. Push [F-7] key.	Minimum AF level
[Tuned LPF MID1]		Rotate [MAIN DIAL] to adjust the AF output level. Push [F-7] key.	
[Tuned LPF MID2]	(Same as above)	Rotate [MAIN DIAL] to set the adjustment value. Push [F-7] key.	“C7”
[Tuned LPF HIGH]	(Same as above)	Rotate [MAIN DIAL] to set the adjustment value. Push [F-7] key.	“D7”
TUNED HPF [Tuned HPF LOW]	(Same as above)	Rotate [MAIN DIAL] to set the adjustment value. Push [F-7] key.	“00”
[Tuned HPF MID1]	(Same as above)	Rotate [MAIN DIAL] to set the adjustment value.Push [F-7] key.	“05”
[Tuned HPF MID2]	(Same as above)	Rotate [MAIN DIAL] to set the adjustment value.Push [F-7] key.	“10”
[Tuned HPF HIGH]	(Same as above)	Rotate [MAIN DIAL] to set the adjustment value.Push [F-7] key.	“80”

4-6 RECEIVE ADJUSTMENTS (VHF and UHF) [RX-V/U1]



- Push [F-3•RX V/U1] key to select RX V/U1 ADJUSTMENT.
- Connect an AC millivoltmeter to the [EXT-SP] jack.
- Connect an SG to [ANT1/HF ANT3] and set as;
Modulation : None

NOTE: HOLD the adjustment condition (SG level and frequency etc.) until next ADJ item is displayed.

ADJUSTMENT ITEM	ADJUSTMENT CONDITION	OPERATION	VALUE
TOTAL GAIN [Total Gain V/U1 PRE OFF]	1) Set the SG as; Frequency : 50.1515 MHz Level : +60 dBu	Measure the AF output level and set it as the reference level (0 dB).	0 dB
	2) Set the SG as; Level : OFF	Rotate [MAIN DIAL] to adjust the AF output level. Push [F-7] key.	-25 dB less than reference level above
[Total Gain V/U1 PRE ON]	• Set the SG as; Level : OFF	Rotate [MAIN DIAL] to adjust the AF output level. Push [F-7] key.	
[Total Gain V/U2 PRE OFF]	1) Set the SG as; Frequency : 625.0215 MHz Level : +60 dBu	Measure the AF output level and set it as the reference level (0 dB).	0 dB
	2) Set the SG as; Level : OFF	Rotate [MAIN DIAL] to adjust the AF output level. Push [F-7] key.	25 dB less than reference level above
[Total Gain V/U2 PRE ON]	• Set the SG as; Level : OFF	Rotate [MAIN DIAL] to adjust the AF output level. Push [F-7] key.	
DSP GAIN-UP TOTAL GAIN [Gain UP Total Gain V/U1 PRE OFF]	1) Set the SG as; Frequency : 50.1515 MHz Level : +60 dBu	Measure the AF output level and set it as the reference level (0 dB).	0 dB
	2) Set the SG as; Level : OFF	Rotate [MAIN DIAL] to adjust the AF output level. Push [F-7] key.	15 dB less than reference level above
[Gain UP Total Gain V/U1 PRE ON]	• Set the SG as; Level : OFF	Rotate [MAIN DIAL] to adjust the AF output level. Push [F-7] key.	10 dB less than reference level above
[Gain UP Total Gain V/U2 PRE OFF]	1) Set the SG as; Frequency : 625.0215 MHz Level : +60 dBu	Measure the AF output level and set it as the reference level (0 dB).	0 dB
	2) Set the SG as; Level : OFF	Rotate [MAIN DIAL] to adjust the AF output level. Push [F-7] key.	15 dB less than reference level above
[Gain UP Total Gain V/U2 PRE ON]	• Set the SG as; Level : OFF	Rotate [MAIN DIAL] to adjust the AF output level. Push [F-7] key.	10 dB less than reference level above

NOTE: HOLD the adjustment condition (SG level and frequency etc.) until next ADJ item is displayed.

ADJUSTMENT ITEM	ADJUSTMENT CONDITION	OPERATION	VALUE
S-METER(V/U1)	• Set the SG as; Frequency : 50.1515 MHz		
[V/U1 S0 LEVEL]	• Set the SG as; Level : OFF	Push [F-7] key.	(Automatic adjustment)
[V/U1 S9 LEVEL]	• Set the SG as; Level : +34 dBu	Push [F-7] key.	
[V/U1 S9+60 LEVEL]	• Set the SG as; Level : +90 dBu	Push [F-7] key.	
FIELD STERNGTH METER	• Set the SG as; Frequency : 50.1515 MHz		
[V/U1 dBu -10dB]	• Set the SG as; Level : -10 dBu	Push [F-7] key.	(Automatic adjustment)
[V/U1 dBu 0dB]	• Set the SG as; Level : 0 dBu	Push [F-7] key.	
[V/U1 dBu 10dB]	• Set the SG as; Level : +10 dBu	Push [F-7] key.	
[V/U1 dBu 20dB]	• Set the SG as; Level : +20 dBu	Push [F-7] key.	
[V/U1 dBu 40dB]	• Set the SG as; Level : +40 dBu	Push [F-7] key.	
[V/U1 dBu 60dB]	• Set the SG as; Level : +60 dBu	Push [F-7] key.	
[V/U1 dBu 80dB]	• Set the SG as; Level : +80 dBu	Push [F-7] key.	
S-METER(V/U2)	• Set the SG as; Frequency : 625.0215 MHz		
[V/U2 S0 LEVEL]	• Set the SG as; Level : OFF	Push [F-7] key.	(Automatic adjustment)
[V/U2 S9 LEVEL]	• Set the SG as; Level : +34 dBu		
[V/U2 S9+60 LEVEL]	• Set the SG as; Level : +90 dBu		
FIELD STREGTH METER	• Set the SG as; Frequency : 625.0215 MHz		
[V/U2 dBu -10dB]	• Set the SG as; Level : -10 dBu	Push [F-7] key.	(Automatic adjustment)
[V/U2 dBu 0dB]	• Set the SG as; Level : 0 dBu		
[V/U2 dBu 10dB]	• Set the SG as; Level : +10 dBu		
[V/U2 dBu 20dB]	• Set the SG as; Level : +20 dBu		
[V/U2 dBu 40dB]	• Set the SG as; Level : +40 dBu		
[V/U2 dBu 60dB]	• Set the SG as; Level : +60 dBu		
[V/U2 dBu 80dB]	• Set the SG as; Level : +80 dBu		
V/U BPF LOSS	• Set the SG as; Level : +40 dBu		
[V/U BPF1 (L) LOSS]	• Set the SG as; Frequency : 30.0215 MHz	Push [F-7] key.	(Automatic adjustment)
[V/U BPF1 (M) LOSS]	• Set the SG as; Frequency : 37.5215 MHz	Push [F-7] key.	
[V/U BPF1 (H) LOSS]	• Set the SG as; Frequency : 44.9815 MHz	Push [F-7] key.	
[V/U BPF2 (L) LOSS]	• Set the SG as; Frequency : 45.0215 MHz	Push [F-7] key.	
[V/U BPF2 (M2) LOSS]	• Set the SG as; Frequency : 57.5215 MHz	Push [F-7] key.	

NOTE: HOLD the adjustment condition (SG level and frequency etc.) until next ADJ item is displayed.

ADJUSTMENT ITEM	ADJUSTMENT CONDITION	OPERATION	VALUE
[V/U BPF2 (H) LOSS]	• Set the SG as; Frequency : 69.9815 MHz	Push [F-7] key.	(Automatic adjustment)
[V/U BPF3 (L) LOSS]	• Set the SG as; Frequency : 70.0215 MHz	Push [F-7] key.	
[V/U BPF3 (M) LOSS]	• Set the SG as; Frequency : 90.0215 MHz	Push [F-7] key.	
[V/U BPF3 (H) LOSS]	• Set the SG as; Frequency : 109.9815 MHz	Push [F-7] key.	
[V/U BPF4 (L) LOSS]	• Set the SG as; Frequency : 110.0215 MHz	Push [F-7] key.	
[V/U BPF4 (M) LOSS]	• Set the SG as; Frequency : 137.5215 MHz	Push [F-7] key.	
[V/U BPF4 (H) LOSS]	• Set the SG as; Frequency : 164.9815 MHz	Push [F-7] key.	
[V/U BPF5 (L) LOSS]	• Set the SG as; Frequency : 165.0215 MHz	Push [F-7] key.	
[V/U BPF5 (M) LOSS]	• Set the SG as; Frequency : 207.5215 MHz	Push [F-7] key.	
[V/U BPF5 (H) LOSS]	• Set the SG as; Frequency : 249.9815 MHz	Push [F-7] key.	
[V/U BPF6 (L) LOSS]	• Set the SG as; Frequency : 250.0215 MHz	Push [F-7] key.	
[V/U BPF6 (M) LOSS]	• Set the SG as; Frequency : 300.0215 MHz	Push [F-7] key.	
[V/U BPF6 (H) LOSS]	• Set the SG as; Frequency : 349.9815 MHz	Push [F-7] key.	
[V/U BPF7 (L) LOSS]	• Set the SG as; Frequency : 350.0215 MHz	Push [F-7] key.	
[V/U BPF7 (M) LOSS]	• Set the SG as; Frequency : 425.0215 MHz	Push [F-7] key.	
[V/U BPF7 (H) LOSS]	• Set the SG as; Frequency : 499.9815 MHz	Push [F-7] key.	
[V/U BPF8 (L) LOSS]	• Set the SG as; Frequency : 500.0215 MHz	Push [F-7] key.	
[V/U BPF8 (M1) LOSS]	• Set the SG as; Frequency : 562.5215 MHz	Push [F-7] key.	
[V/U BPF8 (M3) LOSS]	• Set the SG as; Frequency : 687.5215 MHz	Push [F-7] key.	
[V/U BPF8 (H) LOSS]	• Set the SG as; Frequency : 749.9815 MHz	Push [F-7] key.	
[V/U BPF9 (L) LOSS]	• Set the SG as; Frequency : 750.0215 MHz	Push [F-7] key.	
[V/U BPF9 (M1) LOSS]	• Set the SG as; Frequency : 820.0215 MHz	Push [F-7] key.	
[V/U BPF9 (M2) LOSS]	• Set the SG as; Frequency : 910.0215 MHz	Push [F-7] key.	
[V/U BPF9 (M3) LOSS]	• Set the SG as; Frequency : 990.0215 MHz	Push [F-7] key.	
[V/U BPF9 (M4) LOSS]	• Set the SG as; Frequency : 1070.0215 MHz	Push [F-7] key.	
[V/U BPF9 (H) LOSS]	• Set the SG as; Frequency : 1149.9815 MHz	Push [F-7] key.	

NOTE: HOLD the adjustment condition (SG level and frequency etc.) until next ADJ item is displayed.

ADJUSTMENT ITEM	ADJUSTMENT CONDITION	OPERATION	VALUE
V/U PRE FREQUENCY CHARACTERISTIC	• Set the SG as; Level : +40 dBu		
[V/U BPF1 (L) f]	• Set the SG as; Frequency : 30.0215 MHz	Push [F-7] key.	(Automatic adjustment)
[V/U BPF1 (M) f]	• Set the SG as; Frequency : 37.5215 MHz	Push [F-7] key.	
[V/U BPF1 (H) f]	• Set the SG as; Frequency : 44.9815 MHz	Push [F-7] key.	
[V/U BPF2 (L) f]	• Set the SG as; Frequency : 45.0215 MHz	Push [F-7] key.	
[V/U BPF2 (M1) f]	• Set the SG as; Frequency : 50.1515 MHz	Push [F-7] key.	
[V/U BPF2 (M2) f]	• Set the SG as; Frequency : 57.5215 MHz	Push [F-7] key.	
[V/U BPF2 (H) f]	• Set the SG as; Frequency : 69.9815 MHz	Push [F-7] key.	
[V/U BPF3 (L) f]	• Set the SG as; Frequency : 70.0215 MHz	Push [F-7] key.	
[V/U BPF3 (M) f]	• Set the SG as; Frequency : 90.0215 MHz	Push [F-7] key.	
[V/U BPF3 (H) f]	• Set the SG as; Frequency : 109.9815 MHz	Push [F-7] key.	
[V/U BPF4 (L) f]	• Set the SG as; Frequency : 110.0215 MHz	Push [F-7] key.	
[V/U BPF4 (M) f]	• Set the SG as; Frequency : 137.5215 MHz	Push [F-7] key.	
[V/U BPF4 (H) f]	• Set the SG as; Frequency : 164.9815 MHz	Push [F-7] key.	
[V/U BPF5 (L) f]	• Set the SG as; Frequency : 165.0215 MHz	Push [F-7] key.	
[V/U BPF5 (M) f]	• Set the SG as; Frequency : 207.5215 MHz	Push [F-7] key.	
[V/U BPF5 (H) f]	• Set the SG as; Frequency : 249.9815 MHz	Push [F-7] key.	
[V/U BPF6 (L) f]	• Set the SG as; Frequency : 250.0215 MHz	Push [F-7] key.	
[V/U BPF6 (M) f]	• Set the SG as; Frequency : 300.0215 MHz	Push [F-7] key.	
[V/U BPF6 (H) f]	• Set the SG as; Frequency : 349.9815 MHz	Push [F-7] key.	
[V/U BPF7 (L) f]	• Set the SG as; Frequency : 350.0215 MHz	Push [F-7] key.	
[V/U BPF7 (M) f]	• Set the SG as; Frequency : 425.0215 MHz	Push [F-7] key.	
[V/U BPF7 (H) f]	• Set the SG as; Frequency : 499.9815 MHz	Push [F-7] key.	
[V/U BPF8 (L) f]	• Set the SG as; Frequency : 500.0215 MHz	Push [F-7] key.	
[V/U BPF8 (M1) f]	• Set the SG as; Frequency : 562.5215 MHz	Push [F-7] key.	
[V/U BPF8 (M2) f]	• Set the SG as; Frequency : 625.0215 MHz	Push [F-7] key.	
[V/U BPF8 (M3) f]	• Set the SG as; Frequency : 687.5215 MHz	Push [F-7] key.	
[V/U BPF8 (H) f]	• Set the SG as; Frequency : 749.9815 MHz	Push [F-7] key.	
[V/U BPF9 (L) f]	• Set the SG as; Frequency : 750.0215 MHz	Push [F-7] key.	
[V/U BPF9 (M1) f]	• Set the SG as; Frequency : 820.0215 MHz	Push [F-7] key.	

NOTE: HOLD the adjustment condition (SG level and frequency etc.) until next ADJ item is displayed.

ADJUSTMENT ITEM	ADJUSTMENT CONDITION	OPERATION	VALUE
[V/U BPF9 (M2) f]	• Set the SG as; Frequency : 910.0215 MHz	Push [F-7] key.	(Automatic adjustment)
[V/U BPF9 (M3) f]	• Set the SG as; Frequency : 990.0215 MHz	Push [F-7] key.	
[V/U BPF9 (M4) f]	• Set the SG as; Frequency : 1070.0215 MHz	Push [F-7] key.	
[V/U BPF9 (H) f]	• Set the SG as; Frequency : 1149.9815 MHz	Push [F-7] key.	
V/U ATT 10dB FREQUENCY CHARACTERISTIC	• Set the SG as; Level : +40 dBu		
[V/U ATT10dB BPF1 (L) f]	• Set the SG as; Frequency : 30.0215 MHz	Push [F-7] key.	(Automatic adjustment)
[V/U ATT10dB BPF1 (M) f]	• Set the SG as; Frequency : 37.5215 MHz	Push [F-7] key.	
[V/U ATT10dB BPF1 (H) f]	• Set the SG as; Frequency : 44.9815 MHz	Push [F-7] key.	
[V/U ATT10dB BPF2 (L) f]	• Set the SG as; Frequency : 45.0215 MHz	Push [F-7] key.	
[V/U ATT10dB BPF2 (M1) f]	• Set the SG as; Frequency : 50.1515 MHz	Push [F-7] key.	
[V/U ATT10dB BPF2 (M2) f]	• Set the SG as; Frequency : 57.5215 MHz	Push [F-7] key.	
[V/U ATT10dB BPF2 (H) f]	• Set the SG as; Frequency : 69.9815 MHz	Push [F-7] key.	
[V/U ATT10dB BPF3 (L) f]	• Set the SG as; Frequency : 70.0215 MHz	Push [F-7] key.	
[V/U ATT10dB BPF3 (M) f]	• Set the SG as; Frequency : 90.0215 MHz	Push [F-7] key.	
[V/U ATT10dB BPF3 (H) f]	• Set the SG as; Frequency : 109.9815 MHz	Push [F-7] key.	
[V/U ATT10dB BPF4 (L) f]	• Set the SG as; Frequency : 110.0215 MHz	Push [F-7] key.	
[V/U ATT10dB BPF4 (M) f]	• Set the SG as; Frequency : 137.5215 MHz	Push [F-7] key.	
[V/U ATT10dB BPF4 (H) f]	• Set the SG as; Frequency : 164.9815 MHz	Push [F-7] key.	
[V/U ATT10dB BPF5 (L) f]	• Set the SG as; Frequency : 165.0215 MHz	Push [F-7] key.	
[V/U ATT10dB BPF5 (M) f]	• Set the SG as; Frequency : 207.5215 MHz	Push [F-7] key.	
[V/U ATT10dB BPF5 (H) f]	• Set the SG as; Frequency : 249.9815 MHz	Push [F-7] key.	
[V/U ATT10dB BPF6 (L) f]	• Set the SG as; Frequency : 250.0215 MHz	Push [F-7] key.	
[V/U ATT10dB BPF6 (M) f]	• Set the SG as; Frequency : 300.0215 MHz	Push [F-7] key.	
[V/U ATT10dB BPF6 (H) f]	• Set the SG as; Frequency : 349.9815 MHz	Push [F-7] key.	
[V/U ATT10dB BPF7 (L) f]	• Set the SG as; Frequency : 350.0215 MHz	Push [F-7] key.	
[V/U ATT10dB BPF7 (M) f]	• Set the SG as; Frequency : 425.0215 MHz	Push [F-7] key.	
[V/U ATT10dB BPF7 (H) f]	• Set the SG as; Frequency : 499.9815 MHz	Push [F-7] key.	
[V/U ATT10dB BPF9 (L) f]	• Set the SG as; Frequency : 500.0215 MHz	Push [F-7] key.	
[V/U ATT10dB BPF8 (M1) f]	• Set the SG as; Frequency : 562.5215 MHz	Push [F-7] key.	
[V/U ATT10dB BPF8 (M2) f]	• Set the SG as; Frequency : 625.0215 MHz	Push [F-7] key.	

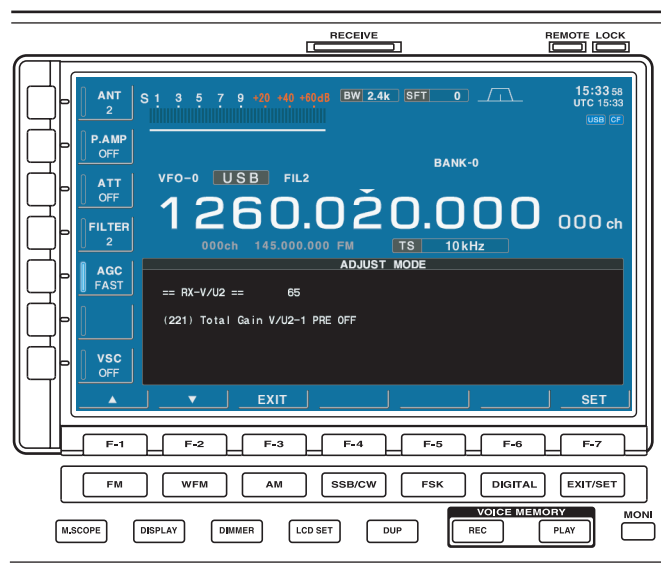
NOTE: HOLD the adjustment condition (SG level and frequency etc.) until next ADJ item is displayed.

ADJUSTMENT ITEM	ADJUSTMENT CONDITION	OPERATION	VALUE
[V/U ATT10dB BPF8 (M3) f]	• Set the SG as; Frequency : 687.5215 MHz	Push [F-7] key.	(Automatic adjustment)
[V/U ATT10dB BPF8 (H) f]	• Set the SG as; Frequency : 749.9815 MHz	Push [F-7] key.	
[V/U ATT10dB BPF9 (L) f]	• Set the SG as; Frequency : 750.0215 MHz	Push [F-7] key.	
[V/U ATT10dB BPF9 (M1) f]	• Set the SG as; Frequency : 820.0215 MHz	Push [F-7] key.	
[V/U ATT10dB BPF9 (M2) f]	• Set the SG as; Frequency : 910.0215 MHz	Push [F-7] key.	
[V/U ATT10dB BPF9 (M3) f]	• Set the SG as; Frequency : 990.0215 MHz	Push [F-7] key.	
[V/U ATT10dB BPF9 (M4) f]	• Set the SG as; Frequency : 1070.0215 MHz	Push [F-7] key.	
[V/U ATT10dB BPF9 (H) f]	• Set the SG as; Frequency : 1149.9815 MHz	Push [F-7] key.	
V/U ATT 20dB FREQUENCY CHARACTERISTIC	• Set the SG as; Level : +40 dBu		(Automatic adjustment)
[V/U ATT20dB BPF1 (L) f]	• Set the SG as; Frequency : 30.0215 MHz	Push [F-7] key.	
[V/U ATT20dB BPF1 (M) f]	• Set the SG as; Frequency : 37.5215 MHz	Push [F-7] key.	
[V/U ATT20dB BPF1 (H) f]	• Set the SG as; Frequency : 44.9815 MHz	Push [F-7] key.	
[V/U ATT20dB BPF2 (L) f]	• Set the SG as; Frequency : 45.0215 MHz	Push [F-7] key.	
[V/U ATT20dB BPF2 (M1) f]	• Set the SG as; Frequency : 50.1515 MHz	Push [F-7] key.	
[V/U ATT20dB BPF2 (M2) f]	• Set the SG as; Frequency : 57.5215 MHz	Push [F-7] key.	
[V/U ATT20dB BPF2 (H) f]	• Set the SG as; Frequency : 69.9815 MHz	Push [F-7] key.	
[V/U ATT20dB BPF3 (L) f]	• Set the SG as; Frequency : 70.0215 MHz	Push [F-7] key.	
[V/U ATT20dB BPF3 (M) f]	• Set the SG as; Frequency : 90.0215 MHz	Push [F-7] key.	
[V/U ATT20dB BPF3 (H) f]	• Set the SG as; Frequency : 109.9815 MHz	Push [F-7] key.	
[V/U ATT20dB BPF4 (L) f]	• Set the SG as; Frequency : 110.0215 MHz	Push [F-7] key.	
[V/U ATT20dB BPF4 (M) f]	• Set the SG as; Frequency : 137.5215 MHz	Push [F-7] key.	
[V/U ATT20dB BPF4 (H) f]	• Set the SG as; Frequency : 164.9815 MHz	Push [F-7] key.	
[V/U ATT20dB BPF5 (L) f]	• Set the SG as; Frequency : 165.0215 MHz	Push [F-7] key.	
[V/U ATT20dB BPF5 (M) f]	• Set the SG as; Frequency : 207.5215 MHz	Push [F-7] key.	
[V/U ATT20dB BPF5 (H) f]	• Set the SG as; Frequency : 249.9815 MHz	Push [F-7] key.	
[V/U ATT20dB BPF6 (L) f]	• Set the SG as; Frequency : 250.0215 MHz	Push [F-7] key.	
[V/U ATT20dB BPF6 (M) f]	• Set the SG as; Frequency : 300.0215 MHz	Push [F-7] key.	
[V/U ATT20dB BPF6 (H) f]	• Set the SG as; Frequency : 349.9815 MHz	Push [F-7] key.	
[V/U ATT20dB BPF7 (L) f]	• Set the SG as; Frequency : 350.0215 MHz	Push [F-7] key.	
[V/U ATT20dB BPF7 (M) f]	• Set the SG as; Frequency : 425.0215 MHz	Push [F-7] key.	

NOTE: HOLD the adjustment condition (SG level and frequency etc.) until next ADJ item is displayed.

ADJUSTMENT ITEM	ADJUSTMENT CONDITION	OPERATION	VALUE
[V/U ATT20dB BPF7 (H) f]	• Set the SG as; Frequency : 499.9815 MHz	Push [F-7] key.	(Automatic adjustment)
[V/U ATT20dB BPF8 (L) f]	• Set the SG as; Frequency : 500.0215 MHz	Push [F-7] key.	
[V/U ATT20dB BPF8 (M1) f]	• Set the SG as; Frequency : 562.5215 MHz	Push [F-7] key.	
[V/U ATT20dB BPF8 (M2) f]	• Set the SG as; Frequency : 625.0215 MHz	Push [F-7] key.	
[V/U ATT20dB BPF8 (M3) f]	• Set the SG as; Frequency : 687.5215 MHz	Push [F-7] key.	
[V/U ATT20dB BPF8 (H) f]	• Set the SG as; Frequency : 749.9815 MHz	Push [F-7] key.	
[V/U ATT20dB BPF9 (L) f]	• Set the SG as; Frequency : 750.0215 MHz	Push [F-7] key.	
[V/U ATT20dB BPF9 (M1) f]	• Set the SG as; Frequency : 820.0215 MHz	Push [F-7] key.	
[V/U ATT20dB BPF9 (M2) f]	• Set the SG as; Frequency : 910.0215 MHz	Push [F-7] key.	
[V/U ATT20dB BPF9 (M3) f]	• Set the SG as; Frequency : 990.0215 MHz	Push [F-7] key.	
[V/U ATT20dB BPF9 (M4) f]	• Set the SG as; Frequency : 1070.0215 MHz	Push [F-7] key.	
[V/U ATT20dB BPF9 (H) f]	• Set the SG as; Frequency : 1149.9815 MHz	Push [F-7] key.	

4-7 RECEIVE ADJUSTMENTS (VHF and UHF) [RX-V/U2]



- Push [F-4•RX V/U2] key to select RX V/U2 ADJUSTMENT.
- Connect the SG to [ANT2] and set as;
Modulation : None

NOTE: HOLD the adjustment condition (SG level and frequency etc.) until next ADJ item is displayed.

ADJUSTMENT ITEM	ADJUSTMENT CONDITION	OPERATION	VALUE
TOTAL GAIN [Total Gain V/U2-1 PRE OFF]	1) Set the SG as; Frequency : 1260.0215 MHz Level : +60 dBu	Measure the AF output level and set it as the reference level (0 dB).	0 dB
	2) Set the SG as; Level : OFF	Rotate [MAIN DIAL] to adjust the AF output level. Push [F-7] key.	25 dB less than reference level above
[Total Gain V/U2-1 PRE ON]	• Set the SG as; Level : OFF	Rotate [MAIN DIAL] to adjust the AF output level. Push [F-7] key.	
[Total Gain V/U2-2 PRE OFF]	1) Set the SG as; Frequency : 2350.0215 MHz Level : +60 dBu	Measure the AF output level and set it as the reference level (0 dB).	0 dB
	2) Set the SG as; Level : OFF	Rotate [MAIN DIAL] to adjust the AF output level. Push [F-7] key.	25 dB less than reference level above
[Total Gain V/U2-2 PRE ON]	• Set the SG as; Level : OFF	Rotate [MAIN DIAL] to adjust the AF output level. Push [F-7] key.	
[Total Gain V/U2-3 PRE OFF]	• Set the SG as; Frequency : 3000.0215 MHz Level : +60 dBu	Measure the AF output level and set it as the reference level (0 dB).	0 dB
	2) Set the SG as; Level : OFF	Rotate [MAIN DIAL] to adjust the AF output level. Push [F-7] key.	25 dB less than reference level above
[Total Gain V/U2-3 PRE ON]	2) Set the SG as; Level : OFF	Rotate [MAIN DIAL] to adjust the AF output level. Push [F-7] key.	
GAIN-UP TOTAL GAIN [Gain UP Total Gain V/U2-1 PRE OFF]	1) Set the SG as; Frequency : 1260.0215 MHz Level : + 60dBu	Measure the AF output level and set it as the reference level (0 dB).	0 dB
	2) Set the SG as; Level : OFF	Rotate [MAIN DIAL] to adjust the AF output level. Push [F-7] key.	15 dB less than reference level above
[Gain UP Total Gain V/U2-1 PRE ON]	• Set the SG as; Level : +60 dBu	Rotate [MAIN DIAL] to adjust the AF output level. Push [F-7] key.	10 dB less than reference level above

NOTE: HOLD the adjustment condition (SG level and frequency etc.) until next ADJ item is displayed.

ADJUSTMENT ITEM	ADJUSTMENT CONDITION	OPERATION	VALUE
[Gain UP Total Gain V/U2-2 PRE OFF]	• Set the SG as; Frequency : 2350.0215 MHz Level : +60 dBu	Measure the AF output level and set it as the reference level (0 dB).	0 dB
	• Set the SG as; Level : OFF	Rotate [MAIN DIAL] to adjust the AF output level. Push [F-7] key.	15 dB less than reference level above
[Gain UP Total Gain V/U2-1 PRE ON]	• Set the SG as; Level : +60 dBu	Rotate [MAIN DIAL] to adjust the AF output level. Push [F-7] key.	10 dB less than reference level above
[Gain UP Total Gain V/U2-3 PRE OFF]	• Set the SG as; Frequency : 3000.0215 MHz Level : +60 dBu	Measure the AF output level and set it as the reference level (0 dB).	0 dB
	• Set the SG as; Level : OFF	Rotate [MAIN DIAL] to adjust the AF output level. Push [F-7] key.	15 dB less than reference level above
[Gain UP Total Gain V/U2-3 PRE ON]	• Set the SG as; Level : +60 dBu	Rotate [MAIN DIAL] to adjust the AF output level. Push [F-7] key.	10 dB less than reference level above
FIELD STRENGTH METER	• Set the SG as; Frequency : 1260.0215 MHz		
[V/U2-1 -10dB]	• Set the SG as; Level : -10 dBu	Push [F-7] key.	(Automatic adjustment)
[V/U2-1 0dB]	• Set the SG as; Level : 0 dBu	Push [F-7] key.	
[V/U2-1 10dB]	• Set the SG as; Level : +10 dBu	Push [F-7] key.	
[V/U2-1 20dB]	• Set the SG as; Level : +20 dBu	Push [F-7] key.	
[V/U2-1 40dB]	• Set the SG as; Level : +40 dBu	Push [F-7] key.	
[V/U2-1 60dB]	• Set the SG as; Level : +60 dBu	Push [F-7] key.	
[V/U2-1 80dB]	• Set the SG as; Level : +80 dBu	Push [F-7] key.	
[V/U2-2 -10dB]	• Set the SG as; Frequency : 2350.0215 MHz Level : -10 dBu	Push [F-7] key.	
[V/U2-2 0dB]	• Set the SG as; Level : 0 dBu	Push [F-7] key.	
[V/U2-2 10dB]	• Set the SG as; Level : +10 dBu	Push [F-7] key.	
[V/U2-2 20dB]	• Set the SG as; Level : +20 dBu	Push [F-7] key.	
[V/U2-2 40dB]	• Set the SG as; Level : +40 dBu	Push [F-7] key.	
[V/U2-2 60dB]	• Set the SG as; Level : +60 dBu	Push [F-7] key.	
[V/U2-2 80dB]	• Set the SG as; Level : +80 dBu	Push [F-7] key.	
[V/U2-3 -10dB]	• Set the SG as; Frequency : 3000.0215 MHz Level : -10 dBu	Push [F-7] key.	
[V/U2-3 0dB]	• Set the SG as; Level : 0 dBu	Push [F-7] key.	
[V/U2-3 10dB]	• Set the SG as; Level : +10 dBu	Push [F-7] key.	
[V/U2-3 20dB]	• Set the SG as; Level : +20 dBu	Push [F-7] key.	
[V/U2-3 40dB]	• Set the SG as; Level : +40 dBu	Push [F-7] key.	
[V/U2-3 60dB]	• Set the SG as; Level : +60 dBu	Push [F-7] key.	
[V/U2-3 80dB]	• Set the SG as; Level : +80 dBu	Push [F-7] key.	

NOTE: HOLD the adjustment condition (SG level and frequency etc.) until next ADJ item is displayed.

ADJUSTMENT ITEM	ADJUSTMENT CONDITION	OPERATION	VALUE
V/U2 BPF FREQUENCY CHARACTERISTIC	• Set the SG and set as; Level : +40 dBu		
[V/U2-1 BPF f (1150.02MHz)]	• Set the SG as; Frequency : 1150.0215 MHz	Push [F-7] key.	(Automatic adjustment)
[V/U2-1 BPF f (1200.02MHz)]	• Set the SG as; Frequency : 1200.0215 MHz	Push [F-7] key.	
[V/U2-1 BPF f (1300.02MHz)]	• Set the SG as; Frequency : 1300.0215 MHz	Push [F-7] key.	
[V/U2-1 BPF f (1350.02MHz)]	• Set the SG as; Frequency : 1350.0215 MHz	Push [F-7] key.	
[V/U2-1 BPF f (1400.02MHz)]	• Set the SG as; Frequency : 1400.0215 MHz	Push [F-7] key.	
[V/U2-1 BPF f (1450.02MHz)]	• Set the SG as; Frequency : 1450.0215 MHz	Push [F-7] key.	
[V/U2-1 BPF f (1500.02MHz)]	• Set the SG as; Frequency : 1500.0215 MHz	Push [F-7] key.	
[V/U2-1 BPF f (1550.02MHz)]	• Set the SG as; Frequency : 1550.0215 MHz	Push [F-7] key.	
[V/U2-1 BPF f (1600.02MHz)]	• Set the SG as; Frequency : 1600.0215 MHz	Push [F-7] key.	
[V/U2-1 BPF f (1650.02MHz)]	• Set the SG as; Frequency : 1650.0215 MHz	Push [F-7] key.	
[V/U2-1 BPF f (1700.02MHz)]	• Set the SG as; Frequency : 1700.0215 MHz	Push [F-7] key.	
[V/U2-1 BPF f (1750.02MHz)]	• Set the SG as; Frequency : 1750.0215 MHz	Push [F-7] key.	
[V/U2-1 BPF f (1800.02MHz)]	• Set the SG as; Frequency : 1800.0215 MHz	Push [F-7] key.	
[V/U2-1 BPF f (1850.02MHz)]	• Set the SG as; Frequency : 1850.0215 MHz	Push [F-7] key.	
[V/U2-1 BPF f (1900.02MHz)]	• Set the SG as; Frequency : 1900.0215 MHz	Push [F-7] key.	
[V/U2-1 BPF f (1950.02MHz)]	• Set the SG as; Frequency : 1950.0215 MHz	Push [F-7] key.	
[V/U2-1 BPF f (1999.98MHz)]	• Set the SG as; Frequency : 1999.9815 MHz	Push [F-7] key.	
[V/U2-2 BPF f (2000.02MHz)]	• Set the SG as; Frequency : 2000.0215 MHz	Push [F-7] key.	
[V/U2-2 BPF f (2050.02MHz)]	• Set the SG as; Frequency : 2050.0215 MHz	Push [F-7] key.	
[V/U2-2 BPF f (2100.02MHz)]	• Set the SG as; Frequency : 2100.0215 MHz	Push [F-7] key.	
[V/U2-2 BPF f (2150.02MHz)]	• Set the SG as; Frequency : 2150.0215 MHz	Push [F-7] key.	
[V/U2-2 BPF f (2200.02MHz)]	• Set the SG as; Frequency : 2200.0215 MHz	Push [F-7] key.	
[V/U2-2 BPF f (2250.02MHz)]	• Set the SG as; Frequency : 2250.0215 MHz	Push [F-7] key.	
[V/U2-2 BPF f (2300.02MHz)]	• Set the SG as; Frequency : 2300.0215 MHz	Push [F-7] key.	
[V/U2-2 BPF f (2400.02MHz)]	• Set the SG as; Frequency : 2400.0215 MHz	Push [F-7] key.	
[V/U2-2 BPF f (2450.02MHz)]	• Set the SG as; Frequency : 2450.0215 MHz	Push [F-7] key.	
[V/U2-3 BPF f (2499.98MHz)]	• Set the SG as; Frequency : 2499.9815 MHz	Push [F-7] key.	
[V/U2-3 BPF f (2500.02MHz)]	• Set the SG as; Frequency : 2500.0215 MHz	Push [F-7] key.	
[V/U2-3 BPF f (2550.02MHz)]	• Set the SG as; Frequency : 2550.0215 MHz	Push [F-7] key.	
[V/U2-3 BPF f (2600.02MHz)]	• Set the SG as; Frequency : 2600.0215 MHz	Push [F-7] key.	

NOTE: HOLD the adjustment condition (SG level and frequency etc.) until next ADJ item is displayed.

ADJUSTMENT ITEM	ADJUSTMENT CONDITION	OPERATION	VALUE
[V/U2-3 BPF f (2650.02MHz)]	• Set the SG as; Frequency : 2650.0215 MHz	Push [F-7] key.	(Automatic adjustment)
[V/U2-3 BPF f (2700.02MHz)]	• Set the SG as; Frequency : 2700.0215 MHz	Push [F-7] key.	
[V/U2-3 BPF f (2750.02MHz)]	• Set the SG as; Frequency : 2750.0215 MHz	Push [F-7] key.	
[V/U2-3 BPF f (2800.02MHz)]	• Set the SG as; Frequency : 2800.0215 MHz	Push [F-7] key.	
[V/U2-3 BPF f (2850.02MHz)]	• Set the SG as; Frequency : 2850.0215 MHz	Push [F-7] key.	
[V/U2-3 BPF f (2900.02MHz)]	• Set the SG as; Frequency : 2900.0215 MHz	Push [F-7] key.	
[V/U2-3 BPF f (2950.02MHz)]	• Set the SG as; Frequency : 2950.0215 MHz	Push [F-7] key.	
[V/U2-3 BPF f (3050.02MHz)]	• Set the SG as; Frequency : 3050.0215 MHz	Push [F-7] key.	
[V/U2-3 BPF f (3100.02MHz)]	• Set the SG as; Frequency : 3100.0215 MHz	Push [F-7] key.	
[V/U2-3 BPF f (3150.02MHz)]	• Set the SG as; Frequency : 3150.0215 MHz	Push [F-7] key.	
[V/U2-3 BPF f (3200.02MHz)]	• Set the SG as; Frequency : 3200.0215 MHz	Push [F-7] key.	
[V/U2-3 BPF f (3250.02MHz)]	• Set the SG as; Frequency : 3250.0215 MHz	Push [F-7] key.	
[V/U2-3 BPF f (3300.02MHz)]	• Set the SG as; Frequency : 3300.0215 MHz	Push [F-7] key.	
[V/U2-3 BPF f (3334.98MHz)]	• Set the SG as; Frequency : 3334.0215 MHz	Push [F-7] key.	
V/U2 PRE FREQUENCY CHARACTERISTIC	• Set the SG and set as; Level : +40 dBu		
[V/U2-1 PRE f (1150.02MHz)]	• Set the SG as; Frequency : 1150.0215 MHz	Push [F-7] key.	(Automatic adjustment)
[V/U2-1 PRE f (1200.02MHz)]	• Set the SG as; Frequency : 1200.0215 MHz	Push [F-7] key.	
[V/U2-1 PRE f (1260.02MHz)]	• Set the SG as; Frequency : 1260.0215 MHz	Push [F-7] key.	
[V/U2-1 PRE f (1300.02MHz)]	• Set the SG as; Frequency : 1300.0215 MHz	Push [F-7] key.	
[V/U2-1 PRE f (1350.02MHz)]	• Set the SG as; Frequency : 1350.0215 MHz	Push [F-7] key.	
[V/U2-1 PRE f (1400.02MHz)]	• Set the SG as; Frequency : 1400.0215 MHz	Push [F-7] key.	
[V/U2-1 PRE f (1450.02MHz)]	• Set the SG as; Frequency : 1450.0215 MHz	Push [F-7] key.	
[V/U2-1 PRE f (1500.02MHz)]	• Set the SG as; Frequency : 1500.0215 MHz	Push [F-7] key.	
[V/U2-1 PRE f (1550.02MHz)]	• Set the SG as; Frequency : 1550.0215 MHz	Push [F-7] key.	
[V/U2-1 PRE f (1600.02MHz)]	• Set the SG as; Frequency : 1600.0215 MHz	Push [F-7] key.	
[V/U2-1 PRE f (1650.02MHz)]	• Set the SG as; Frequency : 1650.0215 MHz	Push [F-7] key.	
[V/U2-1 PRE f (1700.02MHz)]	• Set the SG as; Frequency : 1700.0215 MHz	Push [F-7] key.	
[V/U2-1 PRE f (1750.02MHz)]	• Set the SG as; Frequency : 1750.0215 MHz	Push [F-7] key.	
[V/U2-1 PRE f (1800.02MHz)]	• Set the SG as; Frequency : 1800.0215 MHz	Push [F-7] key.	
[V/U2-1 PRE f (1850.02MHz)]	• Set the SG as; Frequency : 1850.0215 MHz	Push [F-7] key.	
[V/U2-1 PRE f (1900.02MHz)]	• Set the SG as; Frequency : 1900.0215 MHz	Push [F-7] key.	

NOTE: HOLD the adjustment condition (SG level and frequency etc.) until next ADJ item is displayed.

ADJUSTMENT ITEM	ADJUSTMENT CONDITION	OPERATION	VALUE
[V/U2-1 PRE f (1950.02MHz)]	• Set the SG as; Frequency : 1950.0215 MHz	Push [F-7] key.	(Automatic adjustment)
[V/U2-1 PRE f (1999.98MHz)]	• Set the SG as; Frequency : 1999.9815 MHz	Push [F-7] key.	
[V/U2-2 PRE f (2000.02MHz)]	• Set the SG as; Frequency : 2000.0215 MHz	Push [F-7] key.	
[V/U2-2 PRE f (2050.02MHz)]	• Set the SG as; Frequency : 2050.0215 MHz	Push [F-7] key.	
[V/U2-2 PRE f (2100.02MHz)]	• Set the SG as; Frequency : 2100.0215 MHz	Push [F-7] key.	
[V/U2-2 PRE f (2150.02MHz)]	• Set the SG as; Frequency : 2150.0215 MHz	Push [F-7] key.	
[V/U2-2 PRE f (2200.02MHz)]	• Set the SG as; Frequency : 2200.0215 MHz	Push [F-7] key.	
[V/U2-2 PRE f (2250.02MHz)]	• Set the SG as; Frequency : 2250.0215 MHz	Push [F-7] key.	
[V/U2-2 PRE f (2300.02MHz)]	• Set the SG as; Frequency : 2300.0215 MHz	Push [F-7] key.	
[V/U2-2 PRE f (2350.02MHz)]	• Set the SG as; Frequency : 2350.0215 MHz	Push [F-7] key.	
[V/U2-2 PRE f (2400.02MHz)]	• Set the SG as; Frequency : 2400.0215 MHz	Push [F-7] key.	
[V/U2-2 PRE f (2450.02MHz)]	• Set the SG as; Frequency : 2450.0215 MHz	Push [F-7] key.	
[V/U2-2 PRE f (2499.98MHz)]	• Set the SG as; Frequency : 2499.9815 MHz	Push [F-7] key.	
[V/U2-3 PRE f (2500.02MHz)]	• Set the SG as; Frequency : 2500.0215 MHz	Push [F-7] key.	
[V/U2-3 PRE f (2550.02MHz)]	• Set the SG as; Frequency : 2550.0215 MHz	Push [F-7] key.	
[V/U2-3 PRE f (2600.02MHz)]	• Set the SG as; Frequency : 2600.0215 MHz	Push [F-7] key.	
[V/U2-3 PRE f (2650.02MHz)]	• Set the SG as; Frequency : 2650.0215 MHz	Push [F-7] key.	
[V/U2-3 PRE f (2700.02MHz)]	• Set the SG as; Frequency : 2700.0215 MHz	Push [F-7] key.	
[V/U2-3 PRE f (2750.02MHz)]	• Set the SG as; Frequency : 2750.0215 MHz	Push [F-7] key.	
[V/U2-3 PRE f (2800.02MHz)]	• Set the SG as; Frequency : 2800.0215 MHz	Push [F-7] key.	
[V/U2-3 PRE f (2850.02MHz)]	• Set the SG as; Frequency : 2850.0215 MHz	Push [F-7] key.	
[V/U2-3 PRE f (2900.02MHz)]	• Set the SG as; Frequency : 2900.0215 MHz	Push [F-7] key.	
[V/U2-3 PRE f (2950.02MHz)]	• Set the SG as; Frequency : 2950.0215 MHz	Push [F-7] key.	
[V/U2-3 PRE f (3000.02MHz)]	• Set the SG as; Frequency : 3000.0215 MHz	Push [F-7] key.	
[V/U2-3 PRE f (3050.02MHz)]	• Set the SG as; Frequency : 3050.0215 MHz	Push [F-7] key.	
[V/U2-3 PRE f (3100.02MHz)]	• Set the SG as; Frequency : 3100.0215 MHz	Push [F-7] key.	
[V/U2-3 PRE f (3150.02MHz)]	• Set the SG as; Frequency : 3150.0215 MHz	Push [F-7] key.	
[V/U2-3 PRE f (3200.02MHz)]	• Set the SG as; Frequency : 3200.0215 MHz	Push [F-7] key.	
[V/U2-3 PRE f (3250.02MHz)]	• Set the SG as; Frequency : 3250.0215 MHz	Push [F-7] key.	
[V/U2-3 PRE f (3300.02MHz)]	• Set the SG as; Frequency : 3300.0215 MHz	Push [F-7] key.	
[V/U2-3 PRE f (3334.98MHz)]	• Set the SG as; Frequency : 3334.9815 MHz	Push [F-7] key.	

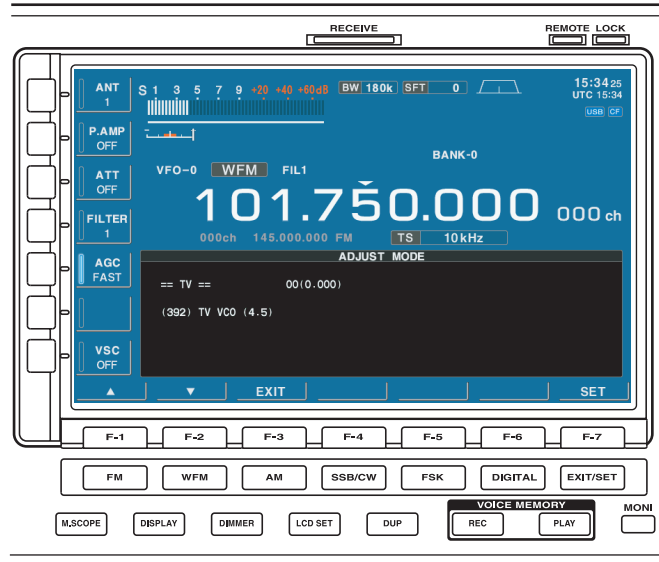
NOTE: HOLD the adjustment condition (SG level and frequency etc.) until next ADJ item is displayed.

ADJUSTMENT ITEM	ADJUSTMENT CONDITION	OPERATION	VALUE
V/U2 ATT FREQUENCY CHARACTERISTIC	• Set the SG and set as; Level : +40 dBu		
[V/U2-1 ATT f (1150.02MHz)]	• Set the SG as; Frequency : 1150.0215 MHz	Push [F-7] key.	(Automatic adjustment)
[V/U2-1 ATT f (1200.02MHz)]	• Set the SG as; Frequency : 1200.0215 MHz	Push [F-7] key.	
[V/U2-1 ATT f (1260.02MHz)]	• Set the SG as; Frequency : 1260.0215 MHz	Push [F-7] key.	
[V/U2-1 ATT f (1300.02MHz)]	• Set the SG as; Frequency : 1300.0215 MHz	Push [F-7] key.	
[V/U2-1 ATT f (1350.02MHz)]	• Set the SG as; Frequency : 1350.0215 MHz	Push [F-7] key.	
[V/U2-1 ATT f (1400.02MHz)]	• Set the SG as; Frequency : 1400.0215 MHz	Push [F-7] key.	
[V/U2-1 ATT f (1450.02MHz)]	• Set the SG as; Frequency : 1450.0215 MHz	Push [F-7] key.	
[V/U2-1 ATT f (1500.02MHz)]	• Set the SG as; Frequency : 1500.0215 MHz	Push [F-7] key.	
[V/U2-1 ATT f (1550.02MHz)]	• Set the SG as; Frequency : 1550.0215 MHz	Push [F-7] key.	
[V/U2-1 ATT f (1600.02MHz)]	• Set the SG as; Frequency : 1600.0215 MHz	Push [F-7] key.	
[V/U2-1 ATT f (1650.02MHz)]	• Set the SG as; Frequency : 1650.0215 MHz	Push [F-7] key.	
[V/U2-1 ATT f (1700.02MHz)]	• Set the SG as; Frequency : 1700.0215 MHz	Push [F-7] key.	
[V/U2-1 ATT f (1750.02MHz)]	• Set the SG as; Frequency : 1750.0215 MHz	Push [F-7] key.	
[V/U2-1 ATT f (1800.02MHz)]	• Set the SG as; Frequency : 1800.0215 MHz	Push [F-7] key.	
[V/U2-1 ATT f (1850.02MHz)]	• Set the SG as; Frequency : 1850.0215 MHz	Push [F-7] key.	
[V/U2-1 ATT f (1900.02MHz)]	• Set the SG as; Frequency : 1900.0215 MHz	Push [F-7] key.	
[V/U2-1 ATT f (1950.02MHz)]	• Set the SG as; Frequency : 1950.0215 MHz	Push [F-7] key.	
[V/U2-1 ATT f (1999.98MHz)]	• Set the SG as; Frequency : 1999.9815 MHz	Push [F-7] key.	
[V/U2-2 ATT f (2000.02MHz)]	• Set the SG as; Frequency : 2000.0215 MHz	Push [F-7] key.	
[V/U2-2 ATT f (2050.02MHz)]	• Set the SG as; Frequency : 2050.0215 MHz	Push [F-7] key.	
[V/U2-2 ATT f (2100.02MHz)]	• Set the SG as; Frequency : 2100.0215 MHz	Push [F-7] key.	
[V/U2-2 ATT f (2150.02MHz)]	• Set the SG as; Frequency : 2150.0215 MHz	Push [F-7] key.	
[V/U2-2 ATT f (2200.02MHz)]	• Set the SG as; Frequency : 2200.0215 MHz	Push [F-7] key.	
[V/U2-2 ATT f (2250.02MHz)]	• Set the SG as; Frequency : 2250.0215 MHz	Push [F-7] key.	
[V/U2-2 ATT f (2300.02MHz)]	• Set the SG as; Frequency : 2300.0215 MHz	Push [F-7] key.	
[V/U2-2 ATT f (2350.02MHz)]	• Set the SG as; Frequency : 2350.0215 MHz	Push [F-7] key.	
[V/U2-2 ATT f (2400.02MHz)]	• Set the SG as; Frequency : 2400.0215 MHz	Push [F-7] key.	
[V/U2-2 ATT f (2450.02MHz)]	• Set the SG as; Frequency : 2450.0215 MHz	Push [F-7] key.	
[V/U2-2 ATT f (2499.02MHz)]	• Set the SG as; Frequency : 2499.9815 MHz	Push [F-7] key.	

NOTE: HOLD the adjustment condition (SG level and frequency etc.) until next ADJ item is displayed.

ADJUSTMENT ITEM	ADJUSTMENT CONDITION	OPERATION	VALUE
[V/U2-3 ATT f (2500.02MHz)]	• Set the SG as; Frequency : 2500.0215 MHz	Push [F-7] key.	(Automatic adjustment)
[V/U2-3 ATT f (2550.02MHz)]	• Set the SG as; Frequency : 2550.0215 MHz	Push [F-7] key.	
[V/U2-3 ATT f (2600.02MHz)]	• Set the SG as; Frequency : 2600.0215 MHz	Push [F-7] key.	
[V/U2-3 ATT f (2650.02MHz)]	• Set the SG as; Frequency : 2650.0215 MHz	Push [F-7] key.	
[V/U2-3 ATT f (2700.02MHz)]	• Set the SG as; Frequency : 2700.0215 MHz	Push [F-7] key.	
[V/U2-3 ATT f (2750.02MHz)]	• Set the SG as; Frequency : 2750.0215 MHz	Push [F-7] key.	
[V/U2-3 ATT f (2800.02MHz)]	• Set the SG as; Frequency : 2800.0215 MHz	Push [F-7] key.	
[V/U2-3 ATT f (2850.02MHz)]	• Set the SG as; Frequency : 2850.0215 MHz	Push [F-7] key.	
[V/U2-3 ATT f (2900.02MHz)]	• Set the SG as; Frequency : 2900.0215 MHz	Push [F-7] key.	
[V/U2-3 ATT f (2950.02MHz)]	• Set the SG as; Frequency : 2950.0215 MHz	Push [F-7] key.	
[V/U2-3 ATT f (3000.02MHz)]	• Set the SG as; Frequency : 3000.0215 MHz	Push [F-7] key.	
[V/U2-3 ATT f (3050.02MHz)]	• Set the SG as; Frequency : 3050.0215 MHz	Push [F-7] key.	
[V/U2-3 ATT f (3100.02MHz)]	• Set the SG as; Frequency : 3100.0215 MHz	Push [F-7] key.	
[V/U2-3 ATT f (3150.02MHz)]	• Set the SG as; Frequency : 3150.0215 MHz	Push [F-7] key.	
[V/U2-3 ATT f (3200.02MHz)]	• Set the SG as; Frequency : 3200.0215 MHz	Push [F-7] key.	
[V/U2-3 ATT f (3250.02MHz)]	• Set the SG as; Frequency : 3250.0215 MHz	Push [F-7] key.	
[V/U2-3 ATT f (3300.02MHz)]	• Set the SG as; Frequency : 3300.0215 MHz	Push [F-7] key.	
[V/U2-3 ATT f (3334.98MHz)]	• Set the SG as; Frequency : 3334.9815 MHz	Push [F-7] key.	

4-8 TV ADJUSTMENT [TV] (except for USA version)

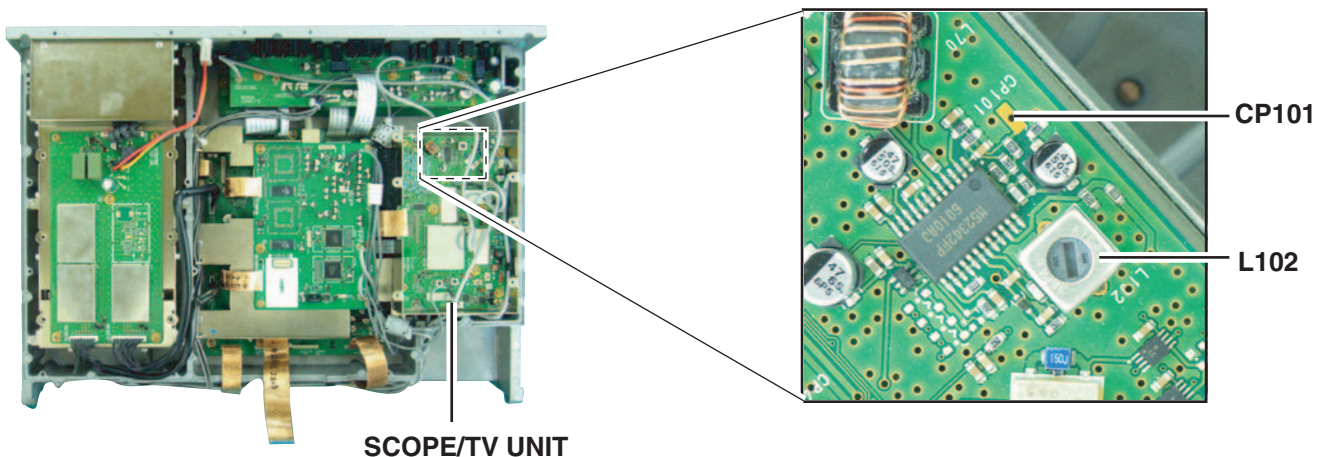


- Push [F-5•TV] key to select TV ADJUSTMENT.
- Connect the SG to [ANT1/HF ANT3] and set as;

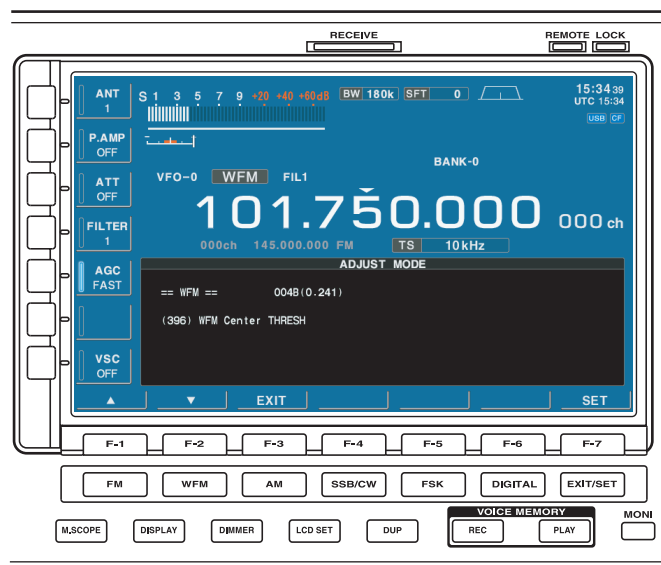
Frequency : 97.25 MHz
 Level : +54 dBu
 Modulation : None

NOTE: HOLD the adjustment condition (SG level and frequency etc.) until next ADJ item is displayed.

ADJUSTMENT ITEM	OPERATION	VALUE
VCO LOCK VOLTAGE	Connect a DC voltmeter to the check point CP101 (SCOPE/TV UNIT).	
[TV VCO(4.5)]	1) Rotate [MAIN DIAL] to set the adjustment value to "00." 2) Adjust L102. 3) Push [F-7] key.	2.5 V
[TV VCO(5.5)]	(Same as above)	
[TV VCO(6.0)]	(Same as above)	
[TV VCO(6.5)]	(Same as above)	



4-9 WFM ADJUSTMENT [WFM]



- Push [F-6•WFM] key to select WFM ADJUSTMENT.
- Connect the SG to [ANT1/HF ANT3] and set as;
Modulation : None

NOTE: HOLD the adjustment condition (SG level and frequency etc.) until next ADJ item is displayed.

ADJUSTMENT ITEM	ADJUSTMENT CONDITION	OPERATION	VALUE
WFM CENTER METER THRESHOULD [WFM Center THRESH]	• Set the SG as; Frequency : 101.75 MHz Level : +4 dBu	Push [F-7] key.	(Automatic adjustment)
WFM S-METER [WFM S0 LEVEL]	• Set the SG as; Frequency : 101.75 MHz Level : +4 dBu	Push [F-7] key.	(Automatic adjustment)
[WFM S9 LEVEL]	• Set the SG as; Level : +34 dBu	Push [F-7] key.	
[WFM S9+60 LEVEL]	• Set the SG as; Level : +80 dBu	Push [F-7] key.	
WFM CENTER METER [WFM Center (±0kHz)]	• Set the SG as; Frequency : 101.75 MHz Level : +60 dBu	Push [F-7] key.	(Automatic adjustment)
[WFM Center (-100kHz)]	(Same as above)	Push [F-7] key.	
[WFM Center (+100kHz)]	(Same as above)	Push [F-7] key.	

SECTION 5

PARTS LIST

[FRONT UNIT]

REF NO.	ORDER NO.	DESCRIPTION	M.	H/V LOCATION
SP1	2510001390	SP 2844 SP BOX <FG>		
W1	8900016130	CBL OPC-1684 (P1,N8,L70)		
W2	8900016130	CBL OPC-1684 (P1,N8,L70)		
W3	8900016140	CBL OPC-1690 (P1,N24,L100)		
W4	8900016150	CBL OPC-1679 (P0.5,N30,L80)		
W5	8900007682	CBL OPC-741A-1 (P0.5,N40,L55)		
W6	8900015490	CBL OPC-1450A (P1,N10,L53)		
W7	8900009400	CBL OPC-926 (P=1 N=24 L=70)		
W8	8900014750	CBL OPC-519A (P0.5,N30,L55)		
W9	8900016130	CBL OPC-1684 (P1,N8,L70)		
W10	8900016130	CBL OPC-1684 (P1,N8,L70)		
W11	8900016130	CBL OPC-1684 (P1,N8,L70)		
W12	8900016130	CBL OPC-1684 (P1,N8,L70)		
EP1	6910015291	UBD LTA070B790F		
EP2	6910017310	E.OTH JSM5035-010100		

[DISPLAY UNIT]

REF NO.	ORDER NO.	DESCRIPTION	M.	H/V LOCATION
IC1	1130011880	S.IC CD4051BPWR	T	103.9/86.1
IC2	1130011880	S.IC CD4051BPWR	T	121/86.1
IC3	1130011880	S.IC CD4051BPWR	T	30.1/77.6
IC6	1140013900	S.IC M30620FCMGP (RX-2844C)	T	48.1/27.7
IC201	1110006400	S.IC M62343G D65J	T	68.4/58.2
IC210	1180000421	S.IC TA78L05F (TE12R,F)	T	104/63.6
IC601	1130011551	S.IC RX-4581NB-F	T	39/45.9
IC651	1110005821	S.IC R3112N281A-TR-F	T	50.2/68.9
Q200	1560001260	S.FET 2SK3018 T106	T	53.6/70.4
Q201	1530003301	S.TR 2SC3647S-TD-E	T	91.1/47.1
Q202	1530003301	S.TR 2SC3647S-TD-E	T	91.1/26.5
Q203	1530002060	S.TR 2SC4081 T106 R	T	74.6/63.3
Q204	1520000651	S.TR 2SB1201S-TL-E	T	79.6/66.7
Q205	1590003520	S.TR BCR108T	T	73/58
Q209	1520000651	S.TR 2SB1201S-TL-E	T	114.6/59.9
Q210	1530002060	S.TR 2SC4081 T106 R	T	108.4/54.9
Q212	1590003520	S.TR BCR108T	T	73/55.8
Q350	1590003520	S.TR BCR108T	T	29.5/85.8
Q351	1590003520	S.TR BCR108T	T	28/83
Q352	1590003520	S.TR BCR108T	T	26.5/85.8
Q370	1590003520	S.TR BCR108T	T	6.2/80.7
Q371	1590003520	S.TR BCR108T	T	11.8/74
Q375	1590003520	S.TR BCR108T	T	6.2/78.7
Q420	1590003520	S.TR BCR108T	T	40.5/85.3
Q421	1590003520	S.TR BCR108T	T	40.5/82.7
Q601	1510000771	S.TR 2SA1586-GR (TE85R,F)	T	56.5/71.6
Q610	1550000090	S.FET RSQ035P03TR	T	20.6/60.7
Q611	1550000090	S.FET RSQ035P03TR	T	20.8/54
Q612	1590003520	S.TR BCR108T	T	26.2/60.9
Q613	1590003520	S.TR BCR108T	T	27.7/54.6
D9	1730002340	S.ZEN MA8047-M (TX)	T	74.7/61.2
D12	1730002510	S.ZEN MA8027-H (TX)	T	110.2/57.1
D601	1790001250	S.DIO MA2S111-(TX)	T	57.6/75.5
D602	1790001250	S.DIO MA2S111-(TX)	T	56.4/69.7
D603	1790001250	S.DIO MA2S111-(TX)	T	56.4/73.5
D610	1750001350	S.DIO CLS02 (TE16L,Q)	T	13.9/59
D611	1750001350	S.DIO CLS02 (TE16L,Q)	T	13.9/54.3
X1	6050009870	S.XTL CR-567 (9.8304 MHz)	T	49.7/44.5
L201	6200001831	S.COL NLV32T-100J	T	43.9/84.4
L210	6190001191	S.COL D10F-#A814AY-101K	T	86.6/79.7
L211	6190001191	S.COL D10F-#A814AY-101K	T	81.2/38.2
L602	6200001831	S.COL NLV32T-100J	T	59.5/72.4
R2	7030003440	S.RES ERJ3GEYJ 102 V (1 k)	T	123/57
R3	7030003440	S.RES ERJ3GEYJ 102 V (1 k)	T	127.3/60
R4	7030003440	S.RES ERJ3GEYJ 102 V (1 k)	T	123/58.2
R5	7030003440	S.RES ERJ3GEYJ 102 V (1 k)	T	127.3/61.2
R6	7030003440	S.RES ERJ3GEYJ 102 V (1 k)	T	123/59.4
R7	7030003440	S.RES ERJ3GEYJ 102 V (1 k)	T	127.3/62.4
R8	7030003440	S.RES ERJ3GEYJ 102 V (1 k)	T	123/60.6
R9	7030003440	S.RES ERJ3GEYJ 102 V (1 k)	T	127.3/63.6
R10	7030003440	S.RES ERJ3GEYJ 102 V (1 k)	T	123/61.8
R11	7030003440	S.RES ERJ3GEYJ 102 V (1 k)	T	127.3/64.8
R12	7030003440	S.RES ERJ3GEYJ 102 V (1 k)	T	123/63
R13	7030003440	S.RES ERJ3GEYJ 102 V (1 k)	T	127.3/66
R14	7030003440	S.RES ERJ3GEYJ 102 V (1 k)	T	123/64.2
R15	7030003440	S.RES ERJ3GEYJ 102 V (1 k)	T	127.3/67.2
R16	7030003440	S.RES ERJ3GEYJ 102 V (1 k)	T	123/65.4
R17	7030003440	S.RES ERJ3GEYJ 102 V (1 k)	T	127.3/68.4
R18	7030003440	S.RES ERJ3GEYJ 102 V (1 k)	T	123/66.6
R19	7030003440	S.RES ERJ3GEYJ 102 V (1 k)	T	127.3/70.8
R20	7030003440	S.RES ERJ3GEYJ 102 V (1 k)	T	123/69

[DISPLAY UNIT]

REF NO.	ORDER NO.	DESCRIPTION	M.	H/V LOCATION
R21	7030003440	S.RES ERJ3GEYJ 102 V (1 k)	T	127.3/72
R22	7030003440	S.RES ERJ3GEYJ 102 V (1 k)	T	123/71.4
R23	7030003560	S.RES ERJ3GEYJ 103 V (10 k)	T	127.3/69.6
R24	7030003560	S.RES ERJ3GEYJ 103 V (10 k)	T	123/67.8
R25	7030003560	S.RES ERJ3GEYJ 103 V (10 k)	T	123/70.2
R26	7030003560	S.RES ERJ3GEYJ 103 V (10 k)	T	127.3/73.2
R200	7030003440	S.RES ERJ3GEYJ 102 V (1 k)	T	72.9/53.4
R201	7030003470	S.RES ERJ3GEYJ 182 V (1.8 k)	T	96.6/43.6
R202	7030003470	S.RES ERJ3GEYJ 182 V (1.8 k)	T	96.6/32.9
R203	7030003800	S.RES ERJ3GEYJ 105 V (1 M)	T	49.7/41.2
R204	7030003560	S.RES ERJ3GEYJ 103 V (10 k)	T	38.1/33.2
R205	7030003640	S.RES ERJ3GEYJ 473 V (47 k)	T	70.7/54.1
R208	7030003360	S.RES ERJ3GEYJ 221 V (220)	T	74.5/59.6
R209	7030003860	S.RES ERJ3GE JPW V	T	12.9/24.7
R210	7030003860	S.RES ERJ3GE JPW V	T	12.9/23.4
R212	7030003660	S.RES ERJ3GEYJ 683 V (68 k)	T	68.7/63.8
R213	7030003580	S.RES ERJ3GEYJ 153 V (15 k)	T	71/63
R235	7030003440	S.RES ERJ3GEYJ 102 V (1 k)	T	50.3/13
R239	7030003440	S.RES ERJ3GEYJ 102 V (1 k)	T	37/85.4
R240	7030003440	S.RES ERJ3GEYJ 102 V (1 k)	T	35.8/85.4
R241	7030003680	S.RES ERJ3GEYJ 104 V (100 k)	T	38.2/85.4
R242	7030003680	S.RES ERJ3GEYJ 104 V (100 k)	T	34.6/85.4
R246	7030003440	S.RES ERJ3GEYJ 102 V (1 k)	T	59.5/13.3
R247	7030003440	S.RES ERJ3GEYJ 102 V (1 k)	T	58.2/13.3
R248	7030003440	S.RES ERJ3GEYJ 102 V (1 k)	T	56.9/13.3
R249	7030003440	S.RES ERJ3GEYJ 102 V (1 k)	T	55.6/13.3
R250	7030003440	S.RES ERJ3GEYJ 102 V (1 k)	T	54.3/13.3
R251	7030003320	S.RES ERJ3GEYJ 101 V (100)	T	52.7/13
R254	7030003680	S.RES ERJ3GEYJ 104 V (100 k)	T	48.4/13.3
R304	7030003640	S.RES ERJ3GEYJ 473 V (47 k)	T	58.5/40
R306	7030003640	S.RES ERJ3GEYJ 473 V (47 k)	T	58.8/29
R310	7030003440	S.RES ERJ3GEYJ 102 V (1 k)	T	24.9/42.4
R311	7030003440	S.RES ERJ3GEYJ 102 V (1 k)	T	24.9/43.6
R326	7030003360	S.RES ERJ3GEYJ 221 V (220)	T	110.3/54
R327	7030003580	S.RES ERJ3GEYJ 153 V (15 k)	T	106.5/54.7
R328	7030003660	S.RES ERJ3GEYJ 683 V (68 k)	T	104.6/55.2
R339	7070000261	RES ERG2SJ 220 (22)		
R340	7070000261	RES ERG2SJ 220 (22)		
R369	7030003860	S.RES ERJ3GE JPW V	T	56.1/37.1
R370	7030003440	S.RES ERJ3GEYJ 102 V (1 k)	T	19.2/86.8
R371	7030003440	S.RES ERJ3GEYJ 102 V (1 k)	T	14.6/91.4
R372	7030003440	S.RES ERJ3GEYJ 102 V (1 k)	T	19.4/85.6
R373	7030003440	S.RES ERJ3GEYJ 102 V (1 k)	T	14.6/90.2
R374	7030003440	S.RES ERJ3GEYJ 102 V (1 k)	T	19.4/84.4
R375	7030003440	S.RES ERJ3GEYJ 102 V (1 k)	T	14.6/89
R376	7030003440	S.RES ERJ3GEYJ 102 V (1 k)	T	19.4/83.2
R377	7030003440	S.RES ERJ3GEYJ 102 V (1 k)	T	14.6/87.8
R378	7030003440	S.RES ERJ3GEYJ 102 V (1 k)	T	19.4/82
R379	7030003440	S.RES ERJ3GEYJ 102 V (1 k)	T	14.6/86.6
R380	7030003440	S.RES ERJ3GEYJ 102 V (1 k)	T	19.4/80.8
R381	7030003440	S.RES ERJ3GEYJ 102 V (1 k)	T	14.6/85.4
R382	7030003440	S.RES ERJ3GEYJ 102 V (1 k)	T	19.4/79.6
R383	7030003440	S.RES ERJ3GEYJ 102 V (1 k)	T	14.6/84.2
R384	7030003440	S.RES ERJ3GEYJ 102 V (1 k)	T	19.4/78.4
R385	7030003440	S.RES ERJ3GEYJ 102 V (1 k)	T	14.6/83
R386	7030003440	S.RES ERJ3GEYJ 102 V (1 k)	T	14.6/81.5
R387	7030003440	S.RES ERJ3GEYJ 102 V (1 k)	T	19.3/77.2
R388	7030003440	S.RES ERJ3GEYJ 102 V (1 k)	T	14.6/80.3
R389	7030003440	S.RES ERJ3GEYJ 102 V (1 k)	T	19.6/73.5
R390	7030003440	S.RES ERJ3GEYJ 102 V (1 k)	T	14.6/76.7
R391	7030003440	S.RES ERJ3GEYJ 102 V (1 k)	T	22.3/73.5
R392	7030003440	S.RES ERJ3GEYJ 102 V (1 k)	T	14.6/75
R393	7030003560	S.RES ERJ3GEYJ 103 V (10 k)	T	14.6/77.9
R394	7030003560	S.RES ERJ3GEYJ 103 V (10 k)	T	19.3/74.8
R395	7030003560	S.RES ERJ3GEYJ 103 V (10 k)	T	14.6/79.1
R396	7030003560	S.RES ERJ3GEYJ 103 V (10 k)	T	19.3/76
R503	7030003640	S.RES ERJ3GEYJ 473 V (47 k)	T	36.1/32.5
R532	7030003440	S.RES ERJ3GEYJ 102 V (1 k)	T	51.5/13
R560	7030003440	S.RES ERJ3GEYJ 102 V (1 k)	T	18.2/13.9
R561	7030003440	S.RES ERJ3GEYJ 102 V (1 k)	T	19.4/13.9
R562	7030003440	S.RES ERJ3GEYJ 102 V (1 k)	T	20.6/13.9
R563	7030003440	S.RES ERJ3GEYJ 102 V (1 k)	T	21.8/13.9
R564	7030003440	S.RES ERJ3GEYJ 102 V (1 k)	T	23/13.9
R565	7030003440	S.RES ERJ3GEYJ 102 V (1 k)	T	24.2/13.9
R566	7030003440	S.RES ERJ3GEYJ 102 V (1 k)	T	25.4/13.9
R567	7030003440	S.RES ERJ3GEYJ 102 V (1 k)	T	26.6/13.9
R568	7030003440	S.RES ERJ3GEYJ 102 V (1 k)	T	27.8/13.9
R569	7030003440	S.RES ERJ3GEYJ 102 V (1 k)	T	29/13.9
R570	7030003440	S.RES ERJ3GEYJ 102 V (1 k)	T	30.2/13.9
R571	7030003440	S.RES ERJ3GEYJ 102 V (1 k)	T	31.4/13.9
R572	7030003440	S.RES ERJ3GEYJ 102 V (1 k)	T	32.6/13.9
R573	7030003440	S.RES ERJ3GEYJ 102 V (1 k)	T	33.8/13.9
R574	7030003440	S.RES ERJ3GEYJ 102 V (1 k)	T	35/13.9
R575	7030003440	S.RES ERJ3GEYJ 102 V (1 k)	T	36.2/13.9
R576	7030003440	S.RES ERJ3GEYJ 102 V (1 k)	T	37.4/13.9
R577	7030003440	S.RES ERJ3GEYJ 102 V (1 k)	T	38.6/13.9
R578	7030003440	S.RES ERJ3GEYJ 102 V (1 k)	T	39.8/13.9
R579	7030003440	S.RES ERJ3GEYJ 102 V (1 k)	T	41/13.9
R580	7030003440	S.RES ERJ3GEYJ 102 V (1 k)	T	42.2/13.9
R581	7030003440	S.RES ERJ3GEYJ 102 V (1 k)	T	43.4/13.9
R601	7030003860	S.RES ERJ3GE JPW V	T	5

[DISPLAY UNIT]

REF NO.	ORDER NO.	DESCRIPTION	M.	H/V LOCATION
R614	7030003860	S.RES ERJ3GE JPW V	T	9.3/71.1
R615	7030003860	S.RES ERJ3GE JPW V	T	9.3/69.9
R616	7030003860	S.RES ERJ3GE JPW V	T	9.3/67.5
R617	7030003720	S.RES ERJ3GEYJ 224 V (220 k)	T	9.6/73
R618	7030003720	S.RES ERJ3GEYJ 224 V (220 k)	T	9.3/68.7
R619	7030003720	S.RES ERJ3GEYJ 224 V (220 k)	T	9.3/66.3
R651	7030003650	S.RES ERJ3GEYJ 563 V (56 k)	T	50.6/73.7
R652	7030003620	S.RES ERJ3GEYJ 333 V (33 k)	T	50.6/72.5
R653	7030003520	S.RES ERJ3GEYJ 472 V (4.7 k)	T	53.5/66.6
C1	4030011600	S.CER C1608 JB 1E 104K-T	T	25.7/57.5
C8	4030011600	S.CER C1608 JB 1E 104K-T	T	131.3/74.7
C200	4030011600	S.CER C1608 JB 1E 104K-T	T	108.2/58.5
C201	4340000360	S.MLR ECWU1H104JC9	T	93.6/36.5
C202	4030019160	S.CER C4520 CH 3F 100FT	T	125.1/37.2
C203	4030007020	S.CER C1608 CH 1H 120J-T	T	50.5/39.9
C204	4030007020	S.CER C1608 CH 1H 120J-T	T	47.9/40
C205	4550007370	S.TAN F931V225MBABMA	T	109/64
C206	4030011600	S.CER C1608 JB 1E 104K-T	T	71/60
C207	4030011600	S.CER C1608 JB 1E 104K-T	T	32.5/81.1
C208	4030011600	S.CER C1608 JB 1E 104K-T	T	120.8/89.6
C209	4030011600	S.CER C1608 JB 1E 104K-T	T	104.2/89.6
C210	4030011600	S.CER C1608 JB 1E 104K-T	T	100.3/64.6
C211	4030011600	S.CER C1608 JB 1E 104K-T	T	65.8/60.4
C212	4030011600	S.CER C1608 JB 1E 104K-T	T	69/66.9
C213	4510009150	S.ELE EEE1EA470WP	T	77.8/52
C214	4510008800	S.ELE EEE1EA100SR	T	72.5/68.7
C215	4030011600	S.CER C1608 JB 1E 104K-T	T	101.7/55.2
C216	4030011600	S.CER C1608 JB 1E 104K-T	T	62.3/11.2
C217	4030011600	S.CER C1608 JB 1E 104K-T	T	38.9/79.7
C218	4510009150	S.ELE EEE1EA470WP	T	44.3/77.9
C219	4030006860	S.CER C1608 JB 1H 102K-T	T	40.1/79.7
C220	4550007510	S.TAN F931C106MBABMA	T	103.9/59.3
C221	4030011600	S.CER C1608 JB 1E 104K-T	T	104.6/54
C222	4340000330	S.MLR ECHU1H103J	T	90.7/36.6
C223	4340000330	S.MLR ECHU1H103J	T	88.6/36.6
C224	4030011600	S.CER C1608 JB 1E 104K-T	T	48.1/38.2
C231	4030011600	S.CER C1608 JB 1E 104K-T	T	47.6/17.4
C232	4030011600	S.CER C1608 JB 1E 104K-T	T	58/31.2
C235	4030011600	S.CER C1608 JB 1E 104K-T	T	50.3/81.1
C241	4030011600	S.CER C1608 JB 1E 104K-T	T	105.5/75.5
C242	4030011600	S.CER C1608 JB 1E 104K-T	T	106.7/75.5
C243	4030011600	S.CER C1608 JB 1E 104K-T	T	104.3/75.5
C244	4030011600	S.CER C1608 JB 1E 104K-T	T	103.1/75.5
C245	4030011600	S.CER C1608 JB 1E 104K-T	T	110.1/87.8
C246	4030011600	S.CER C1608 JB 1E 104K-T	T	110.1/86.6
C247	4030011600	S.CER C1608 JB 1E 104K-T	T	110.1/85.4
C248	4030011600	S.CER C1608 JB 1E 104K-T	T	110.1/84.2
C253	4030011600	S.CER C1608 JB 1E 104K-T	T	127.1/84.6
C254	4030011600	S.CER C1608 JB 1E 104K-T	T	127.1/85.8
C255	4030011600	S.CER C1608 JB 1E 104K-T	T	127.1/87
C256	4030011600	S.CER C1608 JB 1E 104K-T	T	127.1/88.2
C501	4030008890	S.CER C1608 JB 1H 273K-T	T	50.7/66.5
C601	4510008800	S.ELE EEE1EA100SR	T	53.7/77.3
C602	4030011600	S.CER C1608 JB 1E 104K-T	T	39.2/41.8
C610	4030006900	S.CER C1608 JB 1H 103K-T	T	8.5/58
C611	4030006900	S.CER C1608 JB 1H 103K-T	T	8.5/54.9
C613	4030011600	S.CER C1608 JB 1E 104K-T	T	133.2/55.8
C614	4030006860	S.CER C1608 JB 1H 102K-T	T	28.8/61.2
C615	4030006860	S.CER C1608 JB 1H 102K-T	T	30.2/54.2
C616	4030011600	S.CER C1608 JB 1E 104K-T	T	8.4/74.1
C652	4030011600	S.CER C1608 JB 1E 104K-T	T	50.6/71.3
J1	6510021721	S.CNR 30FLT-SM2-TB (LF) (SN)	T	10.7/86.3
J3	6510021721	S.CNR 30FLT-SM2-TB (LF) (SN)	T	131.5/65.2
J4	6510021561	S.CNR 52808-2470 (2490)	T	30.8/8.8
J5	6510019971	S.CNR 52808-1071	T	25/90.1
J7	6510019971	S.CNR 52808-1071	T	55.4/8.8
J201	6510022471	S.CNR 40FLT-SM2-TB (LF) (SN)	T	6.2/28.7
J202	6510022471	S.CNR 40FLT-SM2-TB (LF) (SN)	T	11.8/48.5
J203	6510020081	S.CNR 52808-2071 (2090)	T	44/90.1
J301	6510021181	S.CNR SM2 (8.0) B-BHS1TB(LF)(SN)	T	131.7/38.9
J601	6510021861	CNR BH-800.4GG <LTC>	T	
J610	6510022191	S.CNR B3B-PH-SM4-TB (LF) (SN)	T	2.5/56.7
J611	6510022311	S.CNR B5B-PH-SM4-TB (LF) (SN)	T	2.5/70.9
T201	5910001050	TSM 3319-T106-LF		
BT601	3020000110	LTM CR2032		
EP203	6910014730	S.BEA MPZ2012S331A-T	T	49.3/84.4
EP205	6910014730	S.BEA MPZ2012S331A-T	T	60.8/34.8
EP208	6910014730	S.BEA MPZ2012S331A-T	T	47.5/84.4

[LOGIC UNIT]

REF NO.	ORDER NO.	DESCRIPTION	M.	H/V LOCATION
IC1	1140011551	S.IC MT48LC16M16A2P-75	B	74/106.9
IC2	1140011551	S.IC MT48LC16M16A2P-75	T	74/114
IC51	1130011591	S.IC IDT70V24L15PFG	B	110.2/71
IC52	1140009781	S.IC XC9572XL-10TQG100C	B	131.2/71
IC53	1110005821	S.IC R3112N281A-TR-F	T	160.2/52
IC54	1130007431	S.IC TC7S14FU (TE85R,F)	T	164.5/51.8
IC55	1130008041	S.IC TC7SH04FU (TE85L,JF)	T	112.6/49.4
IC101	1130011010	S.IC SN74CBTLV3257PWR <ACE>	T	39.9/90.3
IC102	1130006441	S.IC TC7S08F (TE85R,F)	T	76.7/54
IC103	1140011561	S.IC HD6417751RBP200V	T	68.2/79.9
IC104	1130008361	S.IC TC7SHU04FU (TE85L,JF)	T	24.1/75.9
IC105	1130013700	S.IC CY2292FXC (RX-2844H)	T	27.3/84
IC106	1130011110	S.IC TC74VCX04FT (EL)	T	24.7/93.6
IC201	1140011551	S.IC MT48LC16M16A2P-75	B	142.7/92.3
IC202	1140011551	S.IC MT48LC16M16A2P-75	B	142.8/110.5
IC203	1140011571	S.IC HD64404BTDV	T	112.1/93.4
IC204	1140011581	S.IC ADV7123KSTZ50	B	116.7/134.5
IC205	1130011941	S.IC TC7S204F (TE85L,F)	T	111.2/139.8
IC206	1130012150	S.IC SN74ACT04PWR	B	165.5/94.4
IC207	1130005721	S.IC TC7W04F (TE12L,F)	B	15/67
IC208	1130011951	S.IC uPD16875G-E1-A	B	8.2/67
IC209	1190001920	S.IC AK5355-VT-E2	B	86.7/126.2
IC211	1190001910	S.IC AK4384-VT-E2	B	86.7/133.2
IC212	1130013830	S.IC TC7SA34FU (TE85L,F)	B	106.9/122.1
IC401	1130010970	S.IC PCI1410APGE	B	38.2/63.5
IC402	1130011960	S.IC TPS2211AIDBR	B	36.5/46.2
IC403	1130009570	S.IC BR93LC46F-WE2	T	38.9/81.7
IC404	1130010990	S.IC RTL8139C	B	37.7/91.5
IC405	1130013830	S.IC TC7SA34FU (TE85L,F)	T	39.1/56.7
IC601	1130012781	S.IC SN74AHC2G04HDCT3	B	53.6/36.6
IC604	1140011590	S.IC HD64F2377VFQ33V (EMPTY)	B	101.7/45.5
IC605	1140009781	S.IC XC9572XL-10TQG100C	B	155.7/72
IC607	1130006441	S.IC TC7S08F (TE85R,F)	B	74.3/37.6
IC608	1130006441	S.IC TC7S08F (TE85R,F)	B	78/37.6
IC609	1130005252	S.IC TC74HC08AF (EL,F)	B	74.7/44.8
IC610	1130012830	S.IC HN58X24512FPIEZ (SOP8)	B	64.7/50
IC801	1180001251	S.IC TA7808F (TE16L,Q)	B	176.5/150.4
IC802	1180001071	S.IC TA7805F (TE16L,Q)	B	190.5/138
IC803	1180001071	S.IC TA7805F (TE16L,Q)	B	23.8/5.2
IC804	1180002020	S.REG BA033FP-E2	B	182.1/38.2
IC805	1180002601	S.REG TA48015F (TE16L,NQ)	B	15.7/15
IC806	1180001071	S.IC TA7805F (TE16L,Q)	B	50.8/147.3
IC855	1190002140	S.IC SAA7115HLV1	T	136.3/136.1
IC856	1190002150	S.IC SAA7105H/V1	B	140.5/35.0
IC923	1130012000	S.IC M62352AGP C60Q	T	17/132.9
IC1001	1110003870	S.IC NJM2058M-TE1-#ZZZB	B	29.3/127.5
IC1031	1110005080	S.IC NJM2246M-TE1-#ZZZB	T	164.3/131.3
Q601	1530002060	S.TR 2SC4081 T106 R	B	48.2/37.8
Q602	1510000510	S.TR 2SA1576A T106R	B	48.2/33.7
Q1031	1530002060	S.TR 2SC4081 T106 R	T	171.5/137.1
Q1032	1590003530	S.TR BCR08PN	T	37.3/24.4
D201	1790000980	S.DIO MA742 (TX)	B	116.7/144.5
D202	1790000980	S.DIO MA742 (TX)	B	116.7/147.7
D203	1790000980	S.DIO MA742 (TX)	B	116.6/150.6
D204	1790000980	S.DIO MA742 (TX)	B	174.6/102.5
D205	1790000980	S.DIO MA742 (TX)	B	174.6/99.7
D206	1790000980	S.DIO MA742 (TX)	B	27.3/38.9
D207	1790000980	S.DIO MA742 (TX)	B	27.3/36.4
D208	1790000980	S.DIO MA742 (TX)	B	27.3/41.4
D209	1790000980	S.DIO MA742 (TX)	B	27.3/33.9
D601	1750000550	S.DIO 1SS355 TE-17	B	45.8/37
D654	1750000550	S.DIO 1SS355 TE-17	T	158.1/82.2
D656	1750000550	S.DIO 1SS355 TE-17	T	154.5/82.2
D657	1750000550	S.DIO 1SS355 TE-17	T	150.9/82.2
D658	1750000550	S.DIO 1SS355 TE-17	T	152.7/82.2
D663	1750000550	S.DIO 1SS355 TE-17	B	181.2/104.8
D665	1750000550	S.DIO 1SS355 TE-17	B	181.2/99.6
X101	6050011610	S.XTL CR-751 (25.000 MHz)	T	17.6/78.1
X201	6050010680	S.XTL CR-628 (24.576 MHz)	T	119.6/109.6
X202	6050011910	S.XTL CR-780 (48 MHz)	T	115.2/76.7
X601	6050011810	S.XTL CR-755 (15.9744 MHz)	T	96.6/28.6
L101	6200004940	S.COL MLF1608D R27K-T	T	19.8/92.2
L102	6200004940	S.COL MLF1608D R27K-T	T	22.1/97
L103	6200004940	S.COL MLF1608D R27K-T	T	29.6/94
L203	6200002631	S.COL NLV25T-R10J	B	120.2/145.8
L204	6200002631	S.COL NLV25T-R10J	B	120.2/152.2
L205	6200002631	S.COL NLV25T-R10J	B	113/150
L380	6200004961	S.COL NLV25T-R33J	T	109.5/120.8
L381	6200004961	S.COL NLV25T-R33J	T	106.6/123
L382	6200004961	S.COL NLV25T-R33J	B	103.8/118.3
L383	6200004961	S.COL NLV25T-R33J	B	100.4/118.3
L561	6200003091	S.COL NLV32T-2R7J	B	157.6/34
L562	6200003091	S.COL NLV32T-2R7J	B	157.7/39.8
L826	6180003321	S.COL SLF6028T-150M1R0-PF	T	178.8/77.5
L901	6200003241	S.COL NLV32T-221J	B	5/104.7
L962	6200002041	S.COL NLV25T-101J	T	29.1/11.3
L1053	6910000670	COL BL01RN1A1D2B (BL01RN1-A62)		
R1	7030003520	S.RES ERJ3GEYJ 472 V (4.7 k)	T	106.3/116.3
R2	7030003560	S.RES ERJ3GEYJ 103 V (10 k)	T	107.6/116.3
R51	7030003520	S.RES ERJ3GEYJ 472 V (4.7 k)	T	164/102.4
R52	7030003560	S.RES ERJ3GEYJ 103 V (10 k)	T	156.6/51.8
R59	7030003260	S.RES ERJ3GEYJ 330 V (33)	T	136.2/73.4
R101	7030003680	S.RES ERJ3GEYJ 104 V (100 k)	T	34/90.2
R102	7030003520	S.RES ERJ3GEYJ 472 V (4.7 k)	T	45.7/88.7

M.=Mounted side (T: Mounted on the Top side B: Mounted on the Bottom side) S.=Surface mount

[LOGIC UNIT]

REF NO.	ORDER NO.	DESCRIPTION	M.	H/V LOCATION
R103	7030003520	S.RES ERJ3GEYJ 472 V (4.7 k)	T	45.7/90.7
R104	7030003520	S.RES ERJ3GEYJ 472 V (4.7 k)	T	34.5/88.3
R105	7030003520	S.RES ERJ3GEYJ 472 V (4.7 k)	T	34/91.5
R106	7030003560	S.RES ERJ3GEYJ 103 V (10 k)	B	69.3/75.1
R107	7030003560	S.RES ERJ3GEYJ 103 V (10 k)	B	64.1/75.1
R108	7030003560	S.RES ERJ3GEYJ 103 V (10 k)	B	63.1/64.5
R109	7030003560	S.RES ERJ3GEYJ 103 V (10 k)	B	66.7/73.8
R110	7030003560	S.RES ERJ3GEYJ 103 V (10 k)	T	69.6/64.3
R111	7030003560	S.RES ERJ3GEYJ 103 V (10 k)	B	69.3/73.8
R112	7030003560	S.RES ERJ3GEYJ 103 V (10 k)	T	68.3/64.3
R113	7030003560	S.RES ERJ3GEYJ 103 V (10 k)	B	64.1/73.8
R114	7030003560	S.RES ERJ3GEYJ 103 V (10 k)	B	60.5/64.5
R115	7030003560	S.RES ERJ3GEYJ 103 V (10 k)	B	64.1/77.7
R116	7030003560	S.RES ERJ3GEYJ 103 V (10 k)	B	64.1/76.4
R117	7030003260	S.RES ERJ3GEYJ 330 V (33)	B	57.9/64.5
R118	7030003560	S.RES ERJ3GEYJ 103 V (10 k)	B	64.1/79
R119	7030003560	S.RES ERJ3GEYJ 103 V (10 k)	B	55.9/65
R120	7030003560	S.RES ERJ3GEYJ 103 V (10 k)	B	64.1/80.3
R121	7030003560	S.RES ERJ3GEYJ 103 V (10 k)	B	59.9/61.9
R122	7030003560	S.RES ERJ3GEYJ 103 V (10 k)	B	57/71
R123	7030003560	S.RES ERJ3GEYJ 103 V (10 k)	B	57.9/60.6
R124	7030003680	S.RES ERJ3GEYJ 104 V (100 k)	T	65.7/64.3
R125	7030003520	S.RES ERJ3GEYJ 472 V (4.7 k)	T	67/64.3
R126	7030003560	S.RES ERJ3GEYJ 103 V (10 k)	B	66.7/76.4
R127	7030003560	S.RES ERJ3GEYJ 103 V (10 k)	B	66.7/75.1
R128	7030003560	S.RES ERJ3GEYJ 103 V (10 k)	T	68.3/60.7
R129	7030003560	S.RES ERJ3GEYJ 103 V (10 k)	T	69.6/61.7
R130	7030003560	S.RES ERJ3GEYJ 103 V (10 k)	B	71.1/65.5
R131	7030003560	S.RES ERJ3GEYJ 103 V (10 k)	B	69.3/76.4
R132	7030003560	S.RES ERJ3GEYJ 103 V (10 k)	T	70.9/64.3
R133	7030003560	S.RES ERJ3GEYJ 103 V (10 k)	T	70.9/61.7
R134	7030003200	S.RES ERJ3GEYJ 100 V (10)	B	71.9/73.8
R135	7030003200	S.RES ERJ3GEYJ 100 V (10)	B	71.9/75.1
R136	7030003200	S.RES ERJ3GEYJ 100 V (10)	B	84.8/65.5
R137	7030004050	S.RES ERJ3GEYJ 1R0 V (1)	B	64.1/83
R138	7030003560	S.RES ERJ3GEYJ 103 V (10 k)	B	64.1/84.3
R139	7030003560	S.RES ERJ3GEYJ 103 V (10 k)	B	64.4/93
R140	7410000990	S.ARY EXB-V8V 470JV (47)	T	61.7/97.7
R141	7410000990	S.ARY EXB-V8V 470JV (47)	T	58/97.7
R142	7410000990	S.ARY EXB-V8V 470JV (47)	T	69.1/97.7
R143	7410000990	S.ARY EXB-V8V 470JV (47)	T	76.5/97.7
R144	7410000990	S.ARY EXB-V8V 470JV (47)	T	65.4/97.7
R145	7410000990	S.ARY EXB-V8V 470JV (47)	T	72.8/97.7
R146	7030003280	S.RES ERJ3GEYJ 470 V (47)	T	84.7/96.7
R147	7030003280	S.RES ERJ3GEYJ 470 V (47)	T	84.7/95.4
R148	7410000990	S.ARY EXB-V8V 470JV (47)	T	80.2/97.7
R149	7410000990	S.ARY EXB-V8V 470JV (47)	T	84.7/69.9
R150	7410000990	S.ARY EXB-V8V 470JV (47)	T	84.7/73.6
R151	7410000990	S.ARY EXB-V8V 470JV (47)	T	84.7/77.3
R152	7410000990	S.ARY EXB-V8V 470JV (47)	T	84.7/81
R153	7030003200	S.RES ERJ3GEYJ 100 V (10)	T	84.7/98
R154	7410000990	S.ARY EXB-V8V 470JV (47)	T	84.7/84.7
R155	7410000990	S.ARY EXB-V8V 470JV (47)	T	84.7/88.4
R156	7410000990	S.ARY EXB-V8V 470JV (47)	T	84.7/92.9
R157	7410000800	S.ARY EXB-V8V 103JV (10 k)	T	92.1/53.7
R158	7030003560	S.RES ERJ3GEYJ 103 V (10 k)	T	91.4/49.8
R159	7030003560	S.RES ERJ3GEYJ 103 V (10 k)	T	79/56.3
R161	7030003250	S.RES ERJ3GEYJ 270 V (27)	T	23.8/79.6
R162	7030003800	S.RES ERJ3GEYJ 105 V (1 M)	T	20.9/76.7
R163	7030003320	S.RES ERJ3GEYJ 101 V (100)	T	27.2/90.2
R164	7030003250	S.RES ERJ3GEYJ 270 V (27)	B	25.5/83.3
R165	7030003340	S.RES ERJ3GEYJ 151 V (150)	T	21.5/73.5
R168	7030003430	S.RES ERJ3GEYJ 821 V (820)	T	33.2/81.3
R169	7030003330	S.RES ERJ3GEYJ 121 V (120)	T	34/84.2
R170	7030003600	S.RES ERJ3GEYJ 223 V (22 k)	B	53.9/55.3
R171	7030003600	S.RES ERJ3GEYJ 223 V (22 k)	B	50/90.2
R172	7030003600	S.RES ERJ3GEYJ 223 V (22 k)	B	50/91.5
R173	7030003600	S.RES ERJ3GEYJ 223 V (22 k)	B	53.3/92.3
R174	7030003600	S.RES ERJ3GEYJ 223 V (22 k)	B	53.3/93.7
R175	7030003600	S.RES ERJ3GEYJ 223 V (22 k)	B	53.3/95
R176	7030003600	S.RES ERJ3GEYJ 223 V (22 k)	B	50/88.9
R201	7030003720	S.RES ERJ3GEYJ 224 V (220 k)	T	128.2/109.9
R202	7030003720	S.RES ERJ3GEYJ 224 V (220 k)	T	129.5/109.9
R203	7030003720	S.RES ERJ3GEYJ 224 V (220 k)	T	130.8/109.9
R204	7030003720	S.RES ERJ3GEYJ 224 V (220 k)	T	132.1/109.9
R205	7030003720	S.RES ERJ3GEYJ 224 V (220 k)	T	133.4/109.9
R206	7030003720	S.RES ERJ3GEYJ 224 V (220 k)	T	134.7/109.9
R207	7030003720	S.RES ERJ3GEYJ 224 V (220 k)	T	136/109.9
R208	7030003720	S.RES ERJ3GEYJ 224 V (220 k)	T	137.3/109.9
R209	7030003720	S.RES ERJ3GEYJ 224 V (220 k)	T	129.2/100.6
R212	7030003640	S.RES ERJ3GEYJ 473 V (47 k)	T	98.4/97.8
R213	7030003640	S.RES ERJ3GEYJ 473 V (47 k)	T	98.4/99.1
R218	7030003520	S.RES ERJ3GEYJ 472 V (4.7 k)	T	134.2/67.2
R219	7030003520	S.RES ERJ3GEYJ 472 V (4.7 k)	T	99.2/94.4
R220	7030003520	S.RES ERJ3GEYJ 472 V (4.7 k)	B	108.8/89.4
R221	7030003560	S.RES ERJ3GEYJ 103 V (10 k)	T	98.4/88.7
R225	7030003560	S.RES ERJ3GEYJ 103 V (10 k)	B	108.8/96.6
R226	7030003560	S.RES ERJ3GEYJ 103 V (10 k)	B	108.8/95.9
R227	7030003560	S.RES ERJ3GEYJ 103 V (10 k)	T	106.7/113.2
R228	7030003560	S.RES ERJ3GEYJ 103 V (10 k)	T	106.7/110.2
R229	7030003560	S.RES ERJ3GEYJ 103 V (10 k)	T	106.2/107.2
R230	7030003560	S.RES ERJ3GEYJ 103 V (10 k)	T	108/110.2
R231	7030003560	S.RES ERJ3GEYJ 103 V (10 k)	T	107.6/107.2
R232	7030003560	S.RES ERJ3GEYJ 103 V (10 k)	B	108.1/98.2
R233	7030003560	S.RES ERJ3GEYJ 103 V (10 k)	T	108/113.2
R234	7030003560	S.RES ERJ3GEYJ 103 V (10 k)	T	108.9/107.2
R235	7030003560	S.RES ERJ3GEYJ 103 V (10 k)	T	109.3/110.2
R236	7030003560	S.RES ERJ3GEYJ 103 V (10 k)	T	109.3/113.2
R237	7030003560	S.RES ERJ3GEYJ 103 V (10 k)	B	109.4/98.2
R238	7030003560	S.RES ERJ3GEYJ 103 V (10 k)	T	110.2/107.2
R239	7030003560	S.RES ERJ3GEYJ 103 V (10 k)	T	110.6/110.2
R240	7030003560	S.RES ERJ3GEYJ 103 V (10 k)	T	110.6/113.2
R241	7030003560	S.RES ERJ3GEYJ 103 V (10 k)	B	111.7/104.4
R242	7030003560	S.RES ERJ3GEYJ 103 V (10 k)	T	111.6/107.2

[LOGIC UNIT]

REF NO.	ORDER NO.	DESCRIPTION	M.	H/V LOCATION
R243	7030003560	S.RES ERJ3GEYJ 103 V (10 k)	B	110.7/98.2
R244	7030003560	S.RES ERJ3GEYJ 103 V (10 k)	T	111.3/79.7
R245	7030003560	S.RES ERJ3GEYJ 103 V (10 k)	T	104.8/79.7
R246	7030003560	S.RES ERJ3GEYJ 103 V (10 k)	T	103.5/76.6
R247	7030003560	S.RES ERJ3GEYJ 103 V (10 k)	B	111.4/89.4
R248	7030003560	S.RES ERJ3GEYJ 103 V (10 k)	T	106.1/79.7
R249	7030003560	S.RES ERJ3GEYJ 103 V (10 k)	T	100.9/79.7
R250	7030003560	S.RES ERJ3GEYJ 103 V (10 k)	T	102.2/79.7
R251	7030003560	S.RES ERJ3GEYJ 103 V (10 k)	T	104.8/76.6
R252	7030003560	S.RES ERJ3GEYJ 103 V (10 k)	T	102.2/76.6
R253	7030003560	S.RES ERJ3GEYJ 103 V (10 k)	T	98.4/90
R254	7030003560	S.RES ERJ3GEYJ 103 V (10 k)	T	103.5/79.7
R255	7030003560	S.RES ERJ3GEYJ 103 V (10 k)	T	100.9/76.6
R256	7030003560	S.RES ERJ3GEYJ 103 V (10 k)	B	111.4/92
R257	7030003560	S.RES ERJ3GEYJ 103 V (10 k)	T	107.4/79.7
R258	7030003560	S.RES ERJ3GEYJ 103 V (10 k)	B	111.4/93.3
R259	7030003560	S.RES ERJ3GEYJ 103 V (10 k)	T	107.4/76.6
R260	7030003560	S.RES ERJ3GEYJ 103 V (10 k)	B	111.4/94.6
R261	7030003560	S.RES ERJ3GEYJ 103 V (10 k)	T	108.7/76.6
R262	7030003560	S.RES ERJ3GEYJ 103 V (10 k)	B	111.4/95.9
R263	7030003560	S.RES ERJ3GEYJ 103 V (10 k)	B	108.7/81.6
R264	7030003560	S.RES ERJ3GEYJ 103 V (10 k)	B	112.7/87.6
R265	7030003560	S.RES ERJ3GEYJ 103 V (10 k)	T	107.4/74
R266	7030003560	S.RES ERJ3GEYJ 103 V (10 k)	T	108.7/74
R267	7030003560	S.RES ERJ3GEYJ 103 V (10 k)	T	110/79.7
R268	7030003560	S.RES ERJ3GEYJ 103 V (10 k)	B	106.1/81.6
R269	7030003560	S.RES ERJ3GEYJ 103 V (10 k)	T	108.7/79.7
R270	7030003560	S.RES ERJ3GEYJ 103 V (10 k)	T	106.1/76.6
R271	7030003560	S.RES ERJ3GEYJ 103 V (10 k)	T	106.1/74
R272	7030003560	S.RES ERJ3GEYJ 103 V (10 k)	B	129.4/86.1
R273	7030003560	S.RES ERJ3GEYJ 103 V (10 k)	T	128.7/83.2
R274	7030003560	S.RES ERJ3GEYJ 103 V (10 k)	B	114.6/94.7
R275	7030003560	S.RES ERJ3GEYJ 103 V (10 k)	T	125.7/84.5
R276	7030003560	S.RES ERJ3GEYJ 103 V (10 k)	T	121.5/79.8
R277	7030003560	S.RES ERJ3GEYJ 103 V (10 k)	T	128.7/81.9
R278	7030003560	S.RES ERJ3GEYJ 103 V (10 k)	T	128.7/80.6
R279	7030003560	S.RES ERJ3GEYJ 103 V (10 k)	B	114.6/96
R280	7030003560	S.RES ERJ3GEYJ 103 V (10 k)	T	128.7/84.5
R281	7030003560	S.RES ERJ3GEYJ 103 V (10 k)	B	115.3/90.2
R282	7030003560	S.RES ERJ3GEYJ 103 V (10 k)	B	114/90.2
R283	7030003560	S.RES ERJ3GEYJ 103 V (10 k)	B	119.2/80.8
R284	7030003560	S.RES ERJ3GEYJ 103 V (10 k)	B	120.5/80.8
R285	7030003560	S.RES ERJ3GEYJ 103 V (10 k)	B	114.6/93.4
R286	7030003560	S.RES ERJ3GEYJ 103 V (10 k)	T	128.7/79.7
R287	7030003560	S.RES ERJ3GEYJ 103 V (10 k)	T	118.9/79.8
R288	7030003560	S.RES ERJ3GEYJ 103 V (10 k)	T	123.4/78.4
R289	7030003560	S.RES ERJ3GEYJ 103 V (10 k)	T	117.6/79.8
R290	7030003560	S.RES ERJ3GEYJ 103 V (10 k)	B	114.6/92
R291	7030003560	S.RES ERJ3GEYJ 103 V (10 k)	T	120.2/79.8
R292	7030003560	S.RES ERJ3GEYJ 103 V (10 k)	B	108.8/90.7
R293	7030003560	S.RES ERJ3GEYJ 103 V (10 k)	B	108.8/92
R294	7030003560	S.RES ERJ3GEYJ 103 V (10 k)	B	108.8/93.3
R295	7030003640	S.RES ERJ3GEYJ 473 V (47 k)	B	111.4/90.7
R296	7030003560	S.RES ERJ3GEYJ 103 V (10 k)	T	126/102.7
R299	7030003560	S.RES ERJ3GEYJ 103 V (10 k)	T	126/105.3
R300	7030003560	S.RES ERJ3GEYJ 103 V (10 k)	T	129.2/105.3
R301	7030003560	S.RES ERJ3GEYJ 103 V (10 k)	T	133.2/105.4
R302	7030003560	S.RES ERJ3GEYJ 103 V (10 k)	T	129.2/106.6
R305	7030003560	S.RES ERJ3GEYJ 103 V (10 k)	T	126/104
R306	7030003560	S.RES ERJ3GEYJ 103 V (10 k)	T	126/101.4
R307	7030003560	S.RES ERJ3GEYJ 103 V (10 k)	T	129.2/102.2
R308	7030003560	S.RES ERJ3GEYJ 103 V (10 k)	T	133.2/104.1
R309	7030003560	S.RES ERJ3GEYJ 103 V (10 k)	T	129.2/103.5
R310	7030003560	S.RES ERJ3GEYJ 103 V (10 k)	T	125.7/83.2
R311	7030003560	S.RES ERJ3GEYJ 103 V (10 k)	B	130.8/86.1
R313	7030003410	S.RES ERJ3GEYJ 561 V (560)	B	123.2/136.5
R314	7030003340	S.RES ERJ3GEYJ 151 V (150)	B	119.8/141.3
R315	7030003340	S.RES ERJ3GEYJ 151 V (150)	B	119.8/142.6
R316	7030003340	S.RES ERJ3GEYJ 151 V (150)	B	119.8/147.7
R317	7030003340	S.RES ERJ3GEYJ 151 V (150)	B	119.8/149
R318	7030003340	S.RES ERJ3GEYJ 151 V (150)	B	113/145
R319	7030003340	S.RES ERJ3GEYJ 151 V (150)	B	113/146.3
R320	7030003240	S.RES ERJ3GEYJ 220 V (22)	B	171.1/102.5
R321	7030003240	S.RES		

[LOGIC UNIT]

REF NO.	ORDER NO.	DESCRIPTION	M.	H/V LOCATION
R378	7030003560	S.RES ERJ3GEYJ 103 V (10 k)	T	123.4/79.8
R381	7030003240	S.RES ERJ3GEYJ 220 V (22)	T	107.6/120.5
R382	7030003240	S.RES ERJ3GEYJ 220 V (22)	T	106.3/120.5
R383	7030003280	S.RES ERJ3GEYJ 470 V (47)	B	101.4/120.2
R385	7030003280	S.RES ERJ3GEYJ 470 V (47)	B	117.9/105.9
R386	7030003280	S.RES ERJ3GEYJ 470 V (47)	B	104.2/120.9
R387	7030003280	S.RES ERJ3GEYJ 470 V (47)	B	101.4/121.5
R388	7030003280	S.RES ERJ3GEYJ 470 V (47)	B	101.4/123.2
R389	7030003280	S.RES ERJ3GEYJ 470 V (47)	B	104.2/122.6
R390	7030003280	S.RES ERJ3GEYJ 470 V (47)	B	123.7/82.2
R391	7030003280	S.RES ERJ3GEYJ 470 V (47)	B	121.8/80.8
R392	7030003280	S.RES ERJ3GEYJ 470 V (47)	B	124.1/83.5
R393	7030003280	S.RES ERJ3GEYJ 470 V (47)	B	113.9/105.1
R394	7030003240	S.RES ERJ3GEYJ 220 V (22)	B	105.6/124.9
R401	7030003320	S.RES ERJ3GEYJ 101 V (100)	B	54.6/59.9
R403	7030003560	S.RES ERJ3GEYJ 103 V (10 k)	B	31.2/50.6
R404	7030003560	S.RES ERJ3GEYJ 103 V (10 k)	B	37.5/50.6
R405	7030003560	S.RES ERJ3GEYJ 103 V (10 k)	B	24.5/56.5
R406	7030003560	S.RES ERJ3GEYJ 103 V (10 k)	T	38.2/62
R407	7030003560	S.RES ERJ3GEYJ 103 V (10 k)	T	35.6/62
R408	7030003560	S.RES ERJ3GEYJ 103 V (10 k)	T	42.8/66.8
R409	7030003560	S.RES ERJ3GEYJ 103 V (10 k)	T	37.6/72
R410	7030003560	S.RES ERJ3GEYJ 103 V (10 k)	T	35/72
R411	7030003560	S.RES ERJ3GEYJ 103 V (10 k)	T	38.9/72
R412	7030003560	S.RES ERJ3GEYJ 103 V (10 k)	T	40.2/72
R413	7030003560	S.RES ERJ3GEYJ 103 V (10 k)	T	41.5/72
R414	7030003560	S.RES ERJ3GEYJ 103 V (10 k)	T	36.3/72
R415	7030003560	S.RES ERJ3GEYJ 103 V (10 k)	B	40.3/41.2
R416	7030003560	S.RES ERJ3GEYJ 103 V (10 k)	B	39/41.2
R417	7030003560	S.RES ERJ3GEYJ 103 V (10 k)	B	37.7/41.2
R418	7030003320	S.RES ERJ3GEYJ 101 V (100)	B	50.8/97.5
R419	7030003440	S.RES ERJ3GEYJ 102 V (1 k)	B	26.2/99.4
R420	7030003580	S.RES ERJ3GEYJ 153 V (15 k)	B	24.7/98.1
R421	7030003470	S.RES ERJ3GEYJ 182 V (18 k)	B	27/91.4
R422	7030003250	S.RES ERJ3GEYJ 270 V (27)	B	26.2/89.2
R423	7030003560	S.RES ERJ3GEYJ 103 V (10 k)	B	29.3/105.2
R424	7030003560	S.RES ERJ3GEYJ 103 V (10 k)	B	26.2/100.7
R425	7030003380	S.RES ERJ3GEYJ 331 V (330)	T	43.3/104.6
R426	7030003380	S.RES ERJ3GEYJ 331 V (330)	T	43.3/103.3
R427	7030003380	S.RES ERJ3GEYJ 331 V (330)	T	43.3/102
R428	7030003320	S.RES ERJ3GEYJ 101 V (100)	T	22.4/108.5
R429	7030003320	S.RES ERJ3GEYJ 101 V (100)	T	23.7/108.5
R430	7030003320	S.RES ERJ3GEYJ 101 V (100)	T	25/108.5
R431	7030003320	S.RES ERJ3GEYJ 101 V (100)	T	26.3/108.5
R432	7030003320	S.RES ERJ3GEYJ 101 V (100)	T	33.4/122.5
R433	7030003320	S.RES ERJ3GEYJ 101 V (100)	T	32.1/122.5
R434	7030003320	S.RES ERJ3GEYJ 101 V (100)	T	30.1/122.5
R435	7030003320	S.RES ERJ3GEYJ 101 V (100)	T	28.8/122.5
R436	7030003340	S.RES ERJ3GEYJ 151 V (150)	T	29.5/108.5
R437	7030003340	S.RES ERJ3GEYJ 151 V (150)	T	30.8/108.5
R438	7030003340	S.RES ERJ3GEYJ 151 V (150)	T	24.4/125.8
R439	7030003340	S.RES ERJ3GEYJ 151 V (150)	T	24.4/124.5
R440	7030003340	S.RES ERJ3GEYJ 151 V (150)	T	24.3/122.5
R441	7030003340	S.RES ERJ3GEYJ 151 V (150)	T	23/122.5
R442	7030003340	S.RES ERJ3GEYJ 151 V (150)	T	21.7/122.5
R443	7030003340	S.RES ERJ3GEYJ 151 V (150)	T	20.4/122.5
R450	7030003860	S.RES ERJ3GE JPW V	T	49.8/52.3
R451	7030003860	S.RES ERJ3GE JPW V	T	36/106.5
R501	7030003260	S.RES ERJ3GEYJ 330 V (33)	T	142.3/123.9
R502	7030003260	S.RES ERJ3GEYJ 330 V (33)	T	139.7/123.9
R503	7030003260	S.RES ERJ3GEYJ 330 V (33)	T	138.4/123.9
R504	7030003260	S.RES ERJ3GEYJ 330 V (33)	T	137.1/123.9
R505	7030003260	S.RES ERJ3GEYJ 330 V (33)	T	135.8/123.9
R506	7030003260	S.RES ERJ3GEYJ 330 V (33)	T	134.5/123.9
R507	7030003260	S.RES ERJ3GEYJ 330 V (33)	T	133.2/123.9
R508	7030003260	S.RES ERJ3GEYJ 330 V (33)	T	130.3/123.9
R509	7030003260	S.RES ERJ3GEYJ 330 V (33)	T	129/123.9
R510	7030003520	S.RES ERJ3GEYJ 472 V (4.7 k)	T	127.9/127.6
R511	7030003200	S.RES ERJ3GEYJ 100 V (10)	T	143.6/123.9
R512	7030003230	S.RES ERJ3GEYJ 180 V (18)	T	151/140.3
R513	7030003290	S.RES ERJ3GEYJ 560 V (56)	B	137.4/132.7
R514	7030003290	S.RES ERJ3GEYJ 560 V (56)	B	137.4/134
R515	7030003290	S.RES ERJ3GEYJ 560 V (56)	B	137.4/136.6
R516	7030003290	S.RES ERJ3GEYJ 560 V (56)	B	137.4/137.9
R517	7030003290	S.RES ERJ3GEYJ 560 V (56)	B	137.4/139.2
R518	7030003290	S.RES ERJ3GEYJ 560 V (56)	T	149/141.1
R519	7030003560	S.RES ERJ3GEYJ 103 V (10 k)	T	142.8/146.2
R520	7030003560	S.RES ERJ3GEYJ 103 V (10 k)	T	140/146.2
R521	7030003560	S.RES ERJ3GEYJ 103 V (10 k)	T	140/147.6
R522	7030003860	S.RES ERJ3GE JPW V	T	134.8/147
R523	7030003560	S.RES ERJ3GEYJ 103 V (10 k)	B	133.1/131.2
R524	7030003560	S.RES ERJ3GEYJ 103 V (10 k)	B	133.1/132.5
R525	7030003560	S.RES ERJ3GEYJ 103 V (10 k)	B	133.1/133.8
R526	7030003560	S.RES ERJ3GEYJ 103 V (10 k)	B	133.1/135.1
R527	7030003560	S.RES ERJ3GEYJ 103 V (10 k)	B	133.1/136.4
R528	7030003560	S.RES ERJ3GEYJ 103 V (10 k)	B	133.1/137.7
R529	7030003560	S.RES ERJ3GEYJ 103 V (10 k)	B	133.1/139
R530	7030003560	S.RES ERJ3GEYJ 103 V (10 k)	B	133.1/140.3
R550	7030003640	S.RES ERJ3GEYJ 473 V (47 k)	B	146.3/24.8
R551	7030003320	S.RES ERJ3GEYJ 101 V (100)	B	146.3/23.5
R552	7030003560	S.RES ERJ3GEYJ 103 V (10 k)	B	137.4/23.2
R553	7030003560	S.RES ERJ3GEYJ 103 V (10 k)	B	138.8/23.2
R554	7030003560	S.RES ERJ3GEYJ 103 V (10 k)	B	126.7/39.7
R555	7030003560	S.RES ERJ3GEYJ 103 V (10 k)	B	126.7/41
R556	7030003560	S.RES ERJ3GEYJ 103 V (10 k)	B	126.7/34.9
R557	7030003260	S.RES ERJ3GEYJ 330 V (33)	B	136.5/47.9
R558	7030003560	S.RES ERJ3GEYJ 103 V (10 k)	B	134.2/47.9
R559	7030003560	S.RES ERJ3GEYJ 103 V (10 k)	B	143.3/47.9
R560	7030003440	S.RES ERJ3GEYJ 102 V (1 k)	B	152/26.6
R561	7030003210	S.RES ERJ3GEYJ 120 V (12)	B	152/28
R562	7030003340	S.RES ERJ3GEYJ 151 V (150)	B	156.9/29.6
R563	7030003340	S.RES ERJ3GEYJ 151 V (150)	B	155.3/29.6
R601	7030003590	S.RES ERJ3GEYJ 183 V (18 k)	B	45.7/34.6
R602	7030003590	S.RES ERJ3GEYJ 183 V (18 k)	B	50.2/37.1

[LOGIC UNIT]

REF NO.	ORDER NO.	DESCRIPTION	M.	H/V LOCATION
R603	7030003560	S.RES ERJ3GEYJ 103 V (10 k)	B	48.2/35.7
R604	7030003640	S.RES ERJ3GEYJ 473 V (47 k)	B	50.2/34.3
R605	7030003680	S.RES ERJ3GEYJ 104 V (100 k)	B	57.6/36.8
R606	7030003680	S.RES ERJ3GEYJ 104 V (100 k)	B	58.9/36.8
R607	7030003350	S.RES ERJ3GEYJ 181 V (180)	B	102.4/29.2
R608	7030003520	S.RES ERJ3GEYJ 472 V (4.7 k)	B	104.9/31.8
R609	7030003440	S.RES ERJ3GEYJ 102 V (1 k)	T	95.6/34.7
R610	7030003440	S.RES ERJ3GEYJ 102 V (1 k)	T	95.6/37.3
R611	7030003440	S.RES ERJ3GEYJ 102 V (1 k)	T	95.6/39.9
R612	7030003440	S.RES ERJ3GEYJ 102 V (1 k)	T	95.6/42.5
R613	7030003860	S.RES ERJ3GE JPW V	T	95.6/45.1
R614	7030003440	S.RES ERJ3GEYJ 102 V (1 k)	B	88/41.7
R621	7030003800	S.RES ERJ3GEYJ 105 V (1 M)	T	99/42.5
R622	7030003800	S.RES ERJ3GEYJ 105 V (1 M)	T	99/39.9
R623	7030003800	S.RES ERJ3GEYJ 105 V (1 M)	T	99/37.3
R624	7030003800	S.RES ERJ3GEYJ 105 V (1 M)	T	99/34.7
R625	7030003800	S.RES ERJ3GEYJ 105 V (1 M)	B	85.4/41.7
R626	7030003640	S.RES ERJ3GEYJ 473 V (47 k)	B	88/43.1
R627	7030003640	S.RES ERJ3GEYJ 473 V (47 k)	B	81.9/51.4
R628	7030003640	S.RES ERJ3GEYJ 473 V (47 k)	B	81.9/50.1
R629	7030003640	S.RES ERJ3GEYJ 473 V (47 k)	B	85.9/49.9
R630	7030003520	S.RES ERJ3GEYJ 472 V (4.7 k)	B	83.3/47.5
R631	7030003520	S.RES ERJ3GEYJ 472 V (4.7 k)	T	82.1/42
R632	7030003520	S.RES ERJ3GEYJ 472 V (4.7 k)	T	82.1/45.9
R633	7030003520	S.RES ERJ3GEYJ 472 V (4.7 k)	T	82.1/43.3
R634	7030003520	S.RES ERJ3GEYJ 472 V (4.7 k)	B	81.9/48.8
R635	7030003520	S.RES ERJ3GEYJ 472 V (4.7 k)	T	82.1/44.6
R636	7030003640	S.RES ERJ3GEYJ 473 V (47 k)	B	71.9/35.7
R637	7030003640	S.RES ERJ3GEYJ 473 V (47 k)	B	78.4/34
R639	7030003640	S.RES ERJ3GEYJ 473 V (47 k)	T	113.8/34
R640	7030003640	S.RES ERJ3GEYJ 473 V (47 k)	T	112.5/34
R641	7030003640	S.RES ERJ3GEYJ 473 V (47 k)	T	111.2/34
R642	7030003640	S.RES ERJ3GEYJ 473 V (47 k)	T	109.9/34
R643	7030003600	S.RES ERJ3GEYJ 223 V (22 k)	B	69.9/55.4
R644	7030003560	S.RES ERJ3GEYJ 103 V (10 k)	B	68.5/55.4
R645	7030003520	S.RES ERJ3GEYJ 472 V (4.7 k)	T	109.3/56.3
R646	7030003720	S.RES ERJ3GEYJ 224 V (220 k)	B	116.5/56.5
R647	7030003720	S.RES ERJ3GEYJ 224 V (220 k)	B	117.5/59.1
R648	7030003720	S.RES ERJ3GEYJ 224 V (220 k)	B	118.5/56.5
R649	7030003720	S.RES ERJ3GEYJ 224 V (220 k)	B	119.5/59.1
R650	7030003720	S.RES ERJ3GEYJ 224 V (220 k)	B	120.5/56.5
R651	7030003720	S.RES ERJ3GEYJ 224 V (220 k)	B	121.5/59.1
R652	7030003720	S.RES ERJ3GEYJ 224 V (220 k)	B	122.5/56.5
R653	7030003720	S.RES ERJ3GEYJ 224 V (220 k)	B	123.4/59.1
R654	7030003520	S.RES ERJ3GEYJ 472 V (4.7 k)	B	117.5/54.2
R655	7030003520	S.RES ERJ3GEYJ 472 V (4.7 k)	B	117.5/52.7
R658	7030003640	S.RES ERJ3GEYJ 473 V (47 k)	T	99/45.1
R661	7030003640	S.RES ERJ3GEYJ 473 V (47 k)	T	70.2/27.4
R662	7030003720	S.RES ERJ3GEYJ 224 V (220 k)	B	66/30.2
R663	7030003640	S.RES ERJ3GEYJ 473 V (47 k)	B	66/27.3
R664	7030003640	S.RES ERJ3GEYJ 473 V (47 k)	B	66/26
R665	7030003640	S.RES ERJ3GEYJ 473 V (47 k)	B	66/28.6
R666	7030003640	S.RES ERJ3GEYJ 473 V (47 k)	B	71.2/18.3
R667	7030003720	S.RES ERJ3GEYJ 224 V (220 k)	B	68.5/21.3
R668	7030003640	S.RES ERJ3GEYJ 473 V (47 k)	B	67.2/21.3
R669	7030003640	S.RES ERJ3GEYJ 473 V (47 k)	B	63/33
R670	7030003640	S.RES ERJ3GEYJ 473 V (47 k)	B	72.5/18.3
R671	7030003640	S.RES ERJ3GEYJ 473 V (47 k)	B	86.5/9.2
R672	7030003640	S.RES ERJ3GEYJ 473 V (47 k)	B	83.9/10.9
R673	7030003640	S.RES ERJ3GEYJ 473 V (47 k)	B	74.6/16.3
R674	7030003640	S.RES ERJ3GEYJ 473 V (47 k)	B	77.9/12.3
R675	7030003640	S.RES ERJ3GEYJ 473 V (47 k)	B	76.5/13.8
R676	7030003640	S.RES ERJ3GEYJ 473 V (47 k)	B	79.2/12.3
R677	7030003640	S.RES ERJ3GEYJ 473 V (47 k)	B	80.5/12.3
R678	7030003560	S.RES ERJ3GEYJ 103 V (10 k)	B	115.9/49.7
R679	7030003560	S.RES ERJ3GEYJ 103 V (10 k)	B	76.5/15.6
R680	7030003440	S.RES ERJ3GEYJ 102 V (1 k)	T	155.9/77.4
R682	7030003520	S.RES ERJ3GEYJ 472 V (4.7 k)	T	46/28.7
R691	7030003640	S.RES ERJ3GEYJ 473 V (47 k)	B	80.7/46.3
R701	7030003860	S.RES ERJ3GE JPW V	T	109.3/59.1
R801	7030010610	S.RES ERJ1TYJ 470U (47)	B	171/35.2
R802	7030010910	S.RES ERJ1TYJ 150U (15)	B	36.1/3.3
R803	7030010910	S.RES ERJ1TYJ 150U (15)	B	36.1/7
R804	7030010950	S.RES ERJ1TYJ 100U (10)	B	181.3/141.3
R805	7030010410	S.RES ERJ1TYJ 220U (22)		

[LOGIC UNIT]

REF NO.	ORDER NO.	DESCRIPTION	M.	H/V LOCATION
R901	7030003200	S.RES ERJ3GEYJ 100 V (10)	T	8.7/120
R902	7030003860	S.RES ERJ3GE JPW V	B	44.2/38.3
R903	7030003360	S.RES ERJ3GEYJ 221 V (220)	T	8.7/118.7
R904	7030003360	S.RES ERJ3GEYJ 221 V (220)	B	4.2/117.9
R905	7030003360	S.RES ERJ3GEYJ 221 V (220)	T	8.7/117.4
R906	7030003360	S.RES ERJ3GEYJ 221 V (220)	B	4.2/116.6
R907	7030003440	S.RES ERJ3GEYJ 102 V (1 k)	T	8.7/116.1
R908	7030003860	S.RES ERJ3GE JPW V	T	9/114.3
R909	7030003860	S.RES ERJ3GE JPW V	T	9/113
R910	7030003860	S.RES ERJ3GE JPW V	T	9/111.7
R911	7030003860	S.RES ERJ3GE JPW V	T	9/132.9
R912	7030003860	S.RES ERJ3GE JPW V	T	9/131.6
R913	7030003860	S.RES ERJ3GE JPW V	T	9/130.3
R914	7030003860	S.RES ERJ3GE JPW V	T	9/129
R915	7030003440	S.RES ERJ3GEYJ 102 V (1 k)	B	10.3/129.9
R916	7030003440	S.RES ERJ3GEYJ 102 V (1 k)	B	4/128.1
R917	7030003440	S.RES ERJ3GEYJ 102 V (1 k)	B	7.5/132
R918	7030003440	S.RES ERJ3GEYJ 102 V (1 k)	B	4/126.8
R919	7030003440	S.RES ERJ3GEYJ 102 V (1 k)	B	9.3/125.5
R920	7030003440	S.RES ERJ3GEYJ 102 V (1 k)	B	4/125.5
R921	7030003440	S.RES ERJ3GEYJ 102 V (1 k)	B	9/129.9
R922	7030003440	S.RES ERJ3GEYJ 102 V (1 k)	B	4/124.2
R923	7030003440	S.RES ERJ3GEYJ 102 V (1 k)	T	8.6/124.9
R924	7030003440	S.RES ERJ3GEYJ 102 V (1 k)	B	4/122.9
R925	7030003440	S.RES ERJ3GEYJ 102 V (1 k)	T	8.6/122.3
R926	7030003440	S.RES ERJ3GEYJ 102 V (1 k)	B	4/121.6
R927	7030003440	S.RES ERJ3GEYJ 102 V (1 k)	B	4/129.4
R928	7030003860	S.RES ERJ3GE JPW V	T	9/110.4
R929	7030003860	S.RES ERJ3GE JPW V	T	9/109.1
R930	7030003360	S.RES ERJ3GEYJ 221 V (220)	T	8.7/106.6
R931	7030003860	S.RES ERJ3GE JPW V	T	62.6/140.9
R932	7030003860	S.RES ERJ3GE JPW V	T	64.6/140.9
R933	7030003360	S.RES ERJ3GEYJ 221 V (220)	T	8.7/104
R938	7030003520	S.RES ERJ3GEYJ 472 V (4.7 k)	T	79.3/135.4
R939	7030003520	S.RES ERJ3GEYJ 472 V (4.7 k)	T	79.4/136.8
R940	7030003560	S.RES ERJ3GEYJ 103 V (10 k)	T	78.8/140.1
R941	7030003320	S.RES ERJ3GEYJ 101 V (100)	T	80.1/141.3
R942	7030003320	S.RES ERJ3GEYJ 101 V (100)	T	83.2/140.9
R943	7030003320	S.RES ERJ3GEYJ 101 V (100)	T	84.5/140.9
R944	7030003320	S.RES ERJ3GEYJ 101 V (100)	T	85.8/140.9
R945	7030003320	S.RES ERJ3GEYJ 101 V (100)	T	87.1/140.9
R946	7030003320	S.RES ERJ3GEYJ 101 V (100)	T	88.4/140.9
R947	7030003320	S.RES ERJ3GEYJ 101 V (100)	T	89.7/140.9
R948	7030003320	S.RES ERJ3GEYJ 101 V (100)	T	91/140.9
R949	7030003200	S.RES ERJ3GEYJ 100 V (10)	T	106.2/140.9
R950	7030003200	S.RES ERJ3GEYJ 100 V (10)	T	104.9/140.9
R951	7030003200	S.RES ERJ3GEYJ 100 V (10)	T	103.6/140.9
R952	7030003200	S.RES ERJ3GEYJ 100 V (10)	T	102.3/140.9
R953	7030003200	S.RES ERJ3GEYJ 100 V (10)	T	101/140.9
R960	7030003440	S.RES ERJ3GEYJ 102 V (1 k)	T	27.8/18.6
R961	7030003440	S.RES ERJ3GEYJ 102 V (1 k)	T	31/19.4
R962	7030003440	S.RES ERJ3GEYJ 102 V (1 k)	T	33.6/19.4
R964	7030003200	S.RES ERJ3GEYJ 100 V (10)	T	177.4/16.2
R965	7030003200	S.RES ERJ3GEYJ 100 V (10)	T	177.4/17.6
R966	7030003360	S.RES ERJ3GEYJ 221 V (220)	T	180/21.2
R967	7030003360	S.RES ERJ3GEYJ 221 V (220)	T	177.3/21.9
R968	7030003360	S.RES ERJ3GEYJ 221 V (220)	T	180/22.6
R969	7030003200	S.RES ERJ3GEYJ 100 V (10)	T	180/19.8
R970	7030003440	S.RES ERJ3GEYJ 102 V (1 k)	T	29.7/19.4
R971	7030003440	S.RES ERJ3GEYJ 102 V (1 k)	T	32.3/19.4
R972	7030003440	S.RES ERJ3GEYJ 102 V (1 k)	T	34.9/19.4
R974	7030003200	S.RES ERJ3GEYJ 100 V (10)	T	180/16.9
R975	7030003200	S.RES ERJ3GEYJ 100 V (10)	T	180/18.3
R976	7030003360	S.RES ERJ3GEYJ 221 V (220)	T	177.4/20.5
R977	7030003360	S.RES ERJ3GEYJ 221 V (220)	T	177.3/23.3
R978	7030003360	S.RES ERJ3GEYJ 221 V (220)	T	183.2/126
R979	7030003360	S.RES ERJ3GEYJ 221 V (220)	T	180.6/125
R980	7030003360	S.RES ERJ3GEYJ 221 V (220)	T	183.2/124
R981	7030003360	S.RES ERJ3GEYJ 221 V (220)	T	180.7/123
R982	7030007230	S.RES ERA3YED 102V (1 k)	T	33.4/140.9
R983	7030003440	S.RES ERJ3GEYJ 102 V (1 k)	T	29/140.9
R984	7030007230	S.RES ERA3YED 102V (1 k)	T	27.7/140.9
R985	7030007230	S.RES ERA3YED 102V (1 k)	T	26.4/140.9
R986	7030007230	S.RES ERA3YED 102V (1 k)	T	25.1/140.9
R987	7030007230	S.RES ERA3YED 102V (1 k)	T	23.8/140.9
R988	7030007230	S.RES ERA3YED 102V (1 k)	T	22.5/140.9
R989	7030003360	S.RES ERJ3GEYJ 221 V (220)	T	30/8.3
R990	7030003360	S.RES ERJ3GEYJ 221 V (220)	T	31.3/8.3
R991	7030003360	S.RES ERJ3GEYJ 221 V (220)	T	32.6/8.3
R992	7030003360	S.RES ERJ3GEYJ 221 V (220)	T	33.9/8.3
R993	7030003360	S.RES ERJ3GEYJ 221 V (220)	T	35.2/8.3
R994	7030003360	S.RES ERJ3GEYJ 221 V (220)	T	36.5/8.3
R1001	7030003410	S.RES ERJ3GEYJ 561 V (560)	B	35.6/122.7
R1002	7030003540	S.RES ERJ3GEYJ 682 V (6.8 k)	B	32.8/122.7
R1003	7030003520	S.RES ERJ3GEYJ 472 V (4.7 k)	B	32.8/121.4
R1004	7030003520	S.RES ERJ3GEYJ 472 V (4.7 k)	B	30.8/122
R1005	7030003520	S.RES ERJ3GEYJ 472 V (4.7 k)	B	23.4/122.7
R1006	7030003550	S.RES ERJ3GEYJ 822 V (8.2 k)	B	26.2/122.7
R1007	7030003520	S.RES ERJ3GEYJ 472 V (4.7 k)	B	26.2/121.4
R1008	7030003520	S.RES ERJ3GEYJ 472 V (4.7 k)	B	28.2/122
R1009	7030003320	S.RES ERJ3GEYJ 101 V (100)	B	35.9/125.6
R1010	7030003320	S.RES ERJ3GEYJ 101 V (100)	B	35.8/128.4
R1011	7030003560	S.RES ERJ3GEYJ 103 V (10 k)	B	20.6/133.6
R1012	7030003460	S.RES ERJ3GEYJ 152 V (1.5 k)	B	20.6/132.3
R1013	7030003500	S.RES ERJ3GEYJ 332 V (3.3 k)	B	26.2/133.6
R1014	7030003480	S.RES ERJ3GEYJ 222 V (2.2 k)	B	26.2/132.3
R1015	7030003470	S.RES ERJ3GEYJ 182 V (1.8 k)	B	23.3/130.3
R1016	7030003380	S.RES ERJ3GEYJ 331 V (330)	B	23.4/133.6
R1017	7030003560	S.RES ERJ3GEYJ 103 V (10 k)	B	35.8/133.6
R1018	7030003460	S.RES ERJ3GEYJ 152 V (1.5 k)	B	35.8/132.3
R1020	7030003540	S.RES ERJ3GEYJ 682 V (6.8 k)	B	35.8/131
R1021	7030003460	S.RES ERJ3GEYJ 152 V (1.5 k)	B	35.8/129.7
R1022	7030003380	S.RES ERJ3GEYJ 331 V (330)	B	32/133.6
R1023	7030003540	S.RES ERJ3GEYJ 682 V (6.8 k)	B	23.4/121.4

[LOGIC UNIT]

REF NO.	ORDER NO.	DESCRIPTION	M.	H/V LOCATION
R1031	7030010900	S.RES ERJ3GEYJ 750 V (75)	T	167.2/120.8
R1032	7030003440	S.RES ERJ3GEYJ 102 V (1 k)	T	153.6/139.9
R1033	7030003320	S.RES ERJ3GEYJ 101 V (100)	T	170.9/131.9
R1034	7030003590	S.RES ERJ3GEYJ 183 V (18 k)	T	171.5/135.2
R1036	7030003320	S.RES ERJ3GEYJ 101 V (100)	T	171.5/139
R1037	7030010900	S.RES ERJ3GEYJ 750 V (75)	T	171.5/140.3
R1038	7030003240	S.RES ERJ3GEYJ 220 V (22)	T	169.4/136.8
R1101	7030003280	S.RES ERJ3GEYJ 470 V (47)	T	18.9/29.3
R1102	7030003280	S.RES ERJ3GEYJ 470 V (47)	T	16.1/30.5
R1103	7030003280	S.RES ERJ3GEYJ 470 V (47)	T	18.9/31.2
R1104	7030003280	S.RES ERJ3GEYJ 470 V (47)	T	16.1/31.9
R1105	7030003280	S.RES ERJ3GEYJ 470 V (47)	T	18.9/32.6
R1106	7030003280	S.RES ERJ3GEYJ 470 V (47)	T	16.1/33.3
R1107	7030003280	S.RES ERJ3GEYJ 470 V (47)	T	18.9/34
R1108	7030003280	S.RES ERJ3GEYJ 470 V (47)	T	16.1/34.7
R1109	7030003280	S.RES ERJ3GEYJ 470 V (47)	T	18.9/35.4
R1110	7030003280	S.RES ERJ3GEYJ 470 V (47)	T	16.1/36.1
R1111	7030003280	S.RES ERJ3GEYJ 470 V (47)	T	18.9/36.8
R1112	7030003280	S.RES ERJ3GEYJ 470 V (47)	T	16.1/37.5
R1113	7030003280	S.RES ERJ3GEYJ 470 V (47)	T	18.9/38.2
R1114	7030003280	S.RES ERJ3GEYJ 470 V (47)	T	16.1/38.9
R1115	7030003280	S.RES ERJ3GEYJ 470 V (47)	T	18.9/39.6
R1116	7030003280	S.RES ERJ3GEYJ 470 V (47)	T	16.1/40.3
R1117	7030003280	S.RES ERJ3GEYJ 470 V (47)	T	18.9/41
R1118	7030003280	S.RES ERJ3GEYJ 470 V (47)	T	16.1/41.7
R1119	7030003280	S.RES ERJ3GEYJ 470 V (47)	T	18.9/42.4
R1120	7030003280	S.RES ERJ3GEYJ 470 V (47)	T	16.1/43.1
R1121	7030003280	S.RES ERJ3GEYJ 470 V (47)	T	18.9/43.8
R1122	7030003280	S.RES ERJ3GEYJ 470 V (47)	T	16.1/44.5
R1123	7030003280	S.RES ERJ3GEYJ 470 V (47)	T	18.9/45.2
R1124	7030003280	S.RES ERJ3GEYJ 470 V (47)	T	16.1/47.2
R1125	7030003280	S.RES ERJ3GEYJ 470 V (47)	T	18.9/47.9
R1126	7030003280	S.RES ERJ3GEYJ 470 V (47)	T	16.1/48.6
R1127	7030003280	S.RES ERJ3GEYJ 470 V (47)	T	18.9/49.3
R1128	7030003280	S.RES ERJ3GEYJ 470 V (47)	T	16.1/50
R1129	7030003280	S.RES ERJ3GEYJ 470 V (47)	T	18.9/50.7
R1130	7030003280	S.RES ERJ3GEYJ 470 V (47)	T	16.1/51.4
R1131	7030003280	S.RES ERJ3GEYJ 470 V (47)	T	18.9/52.1
R1132	7030003280	S.RES ERJ3GEYJ 470 V (47)	T	16.1/52.8
R1133	7030003280	S.RES ERJ3GEYJ 470 V (47)	T	18.9/53.5
R1134	7030003280	S.RES ERJ3GEYJ 470 V (47)	T	16.1/54.2
R1135	7030003280	S.RES ERJ3GEYJ 470 V (47)	T	18.9/54.9
R1136	7030003280	S.RES ERJ3GEYJ 470 V (47)	T	16.1/55.6
R1137	7030003280	S.RES ERJ3GEYJ 470 V (47)	T	18.9/56.3
R1138	7030003280	S.RES ERJ3GEYJ 470 V (47)	T	16.1/57
R1139	7030003280	S.RES ERJ3GEYJ 470 V (47)	T	18.9/57.7
R1140	7030003280	S.RES ERJ3GEYJ 470 V (47)	T	16.1/58.4
R1141	7030003280	S.RES ERJ3GEYJ 470 V (47)	T	18.9/59.1
R1142	7030003280	S.RES ERJ3GEYJ 470 V (47)	T	16.1/59.8
R1143	7030003280	S.RES ERJ3GEYJ 470 V (47)	T	18.9/60.5
R1144	7030003280	S.RES ERJ3GEYJ 470 V (47)	T	16.1/61.2
R1145	7030003280	S.RES ERJ3GEYJ 470 V (47)	T	18.9/61.9
R1146	7030003280	S.RES ERJ3GEYJ 470 V (47)	T	16.1/62.6
R1151	7030003290	S.RES ERJ3GEYJ 560 V (56)	T	175.5/96.6
R1152	7030003320	S.RES ERJ3GEYJ 101 V (100)	T	172.2/95.9
R1153	7030003320	S.RES ERJ3GEYJ 101 V (100)	T	175.5/95.2
R1154	7030003320	S.RES ERJ3GEYJ 101 V (100)	T	172.2/94.5
R1155	7030003320	S.RES ERJ3GEYJ 101 V (100)	T	175.5/93.8
R1156	7030003320	S.RES ERJ3GEYJ 101 V (100)	T	172.2/93.1
R1157	7030003320	S.RES ERJ3GEYJ 101 V (100)	T	175.5/92.4
R1158	7030003320	S.RES ERJ3GEYJ 101 V (100)	T	172.2/91.7
R1159	7030003320	S.RES ERJ3GEYJ 101 V (100)	T	175.5/91
R1160	7030003320	S.RES ERJ3GEYJ 101 V (100)	T	172.2/90.3
R1161	7030003320	S.RES ERJ3GEYJ 101 V (100)	T	175.5/89.6
R1162	7030003320	S.RES ERJ3GEYJ 101 V (100)	T	172.2/88.9
R1163	7030003320	S.RES ERJ3GEYJ 101 V (100)	T	175.5/88.2
R1164	7030003320	S.RES ERJ3GEYJ 101 V (100)	T	172.2/87.5
R1165	7030003320	S.RES ERJ3GEYJ 101 V (100)	T	175.5/86.8
R1166	7030003320	S.RES ERJ3GEYJ 101 V (100)	T	172.2/86.1
R1167	7030003320	S.RES ERJ3GEYJ 101 V (100)	T	175.5/85.4
R1168	7030003320	S.RES ERJ3GEYJ 101 V (100)	T	172.2/84.7
R1169	7030003320	S.RES ERJ3GEYJ 101 V (100)	T	175.5/84
R1170	7030003320	S.RES ERJ3GEYJ 101 V (100)	T	178/82
R1301	7030003860	S.RES ERJ3GE JPW V	B	6.5/10
R1302	7030003860	S.RES ERJ3GE JPW V	T	107.5/21.8
R1303	7030003860	S.RES ERJ3GE JPW V	T	

[LOGIC UNIT]

REF NO.	ORDER NO.	DESCRIPTION	M.	H/V LOCATION
C12	4030011600	S.CER C1608 JB 1E 104K-T	T	63.6/122.5
C13	4030011600	S.CER C1608 JB 1E 104K-T	T	78.9/106.7
C14	4030011600	S.CER C1608 JB 1E 104K-T	T	74.2/106.7
C51	4030011600	S.CER C1608 JB 1E 104K-T	B	120.2/69.7
C52	4030011600	S.CER C1608 JB 1E 104K-T	B	110.7/61.1
C53	4030011600	S.CER C1608 JB 1E 104K-T	B	107.8/61.1
C54	4030011600	S.CER C1608 JB 1E 104K-T	B	121.7/66.2
C55	4030011600	S.CER C1608 JB 1E 104K-T	B	123.4/78.9
C56	4030011600	S.CER C1608 JB 1E 104K-T	B	128.7/80.9
C57	4030011600	S.CER C1608 JB 1E 104K-T	B	142.2/75.7
C58	4030011600	S.CER C1608 JB 1E 104K-T	B	142.2/73.1
C59	4030011600	S.CER C1608 JB 1E 104K-T	B	132.3/60.8
C60	4030011600	S.CER C1608 JB 1E 104K-T	B	126.2/61.1
C61	4030009990	S.CER C1608 CH 1H 200J-T	T	164/101.1
C62	4030011600	S.CER C1608 JB 1E 104K-T	T	157.9/51.8
C63	4030008890	S.CER C1608 JB 1H 273K-T	T	162.5/51.8
C64	4030011600	S.CER C1608 JB 1E 104K-T	T	164.6/53.7
C65	4030011600	S.CER C1608 JB 1E 104K-T	T	115/52
C101	4030011600	S.CER C1608 JB 1E 104K-T	T	39.1/86.9
C102	4030011600	S.CER C1608 JB 1E 104K-T	B	57.9/63.2
C103	4030011600	S.CER C1608 JB 1E 104K-T	B	61.8/93
C104	4030011600	S.CER C1608 JB 1E 104K-T	B	61.5/73.8
C105	4030011600	S.CER C1608 JB 1E 104K-T	B	64.2/86
C106	4030011600	S.CER C1608 JB 1E 104K-T	B	61.5/72.5
C107	4030011600	S.CER C1608 JB 1E 104K-T	B	66.7/72.5
C108	4030011600	S.CER C1608 JB 1E 104K-T	B	72.4/72.5
C109	4030011600	S.CER C1608 JB 1E 104K-T	B	74.3/75.8
C110	4030011600	S.CER C1608 JB 1E 104K-T	B	61.5/83
C111	4550007520	S.TAN F931A106MAABMA	B	72.4/63.8
C112	4030011600	S.CER C1608 JB 1E 104K-T	B	73.7/65.5
C113	4550007520	S.TAN F931A106MAABMA	B	78.3/63.8
C114	4030011600	S.CER C1608 JB 1E 104K-T	B	76.7/65.5
C115	4550007520	S.TAN F931A106MAABMA	B	83.5/63.8
C116	4030011600	S.CER C1608 JB 1E 104K-T	B	79.6/65.5
C117	4030011600	S.CER C1608 JB 1E 104K-T	B	61.6/86
C118	4030011600	S.CER C1608 JB 1E 104K-T	B	61.5/76.4
C119	4030011600	S.CER C1608 JB 1E 104K-T	B	61.5/84.3
C120	4030011600	S.CER C1608 JB 1E 104K-T	B	74.3/84.4
C121	4030011600	S.CER C1608 JB 1E 104K-T	B	72.5/85.2
C122	4030011600	S.CER C1608 JB 1E 104K-T	B	71.2/85.2
C123	4030006860	S.CER C1608 JB 1H 102K-T	B	72/93
C124	4030011600	S.CER C1608 JB 1E 104K-T	B	66.8/86
C125	4030011600	S.CER C1608 JB 1E 104K-T	B	69.4/86
C126	4030011600	S.CER C1608 JB 1E 104K-T	B	61.5/81.7
C127	4030011600	S.CER C1608 JB 1E 104K-T	B	57.9/65.8
C128	4030011600	S.CER C1608 JB 1E 104K-T	B	66.9/65.8
C129	4030011600	S.CER C1608 JB 1E 104K-T	B	60.8/79.8
C130	4030011600	S.CER C1608 JB 1E 104K-T	B	74.3/81.8
C131	4030011600	S.CER C1608 JB 1E 104K-T	B	81.1/83.7
C132	4030011600	S.CER C1608 JB 1E 104K-T	B	74.3/78.6
C133	4030011600	S.CER C1608 JB 1E 104K-T	B	61.8/65.9
C134	4030011600	S.CER C1608 JB 1E 104K-T	B	54/73.6
C135	4030011600	S.CER C1608 JB 1E 104K-T	B	61.5/75.1
C136	4030011600	S.CER C1608 JB 1E 104K-T	B	69.3/72.5
C137	4030011600	S.CER C1608 JB 1E 104K-T	B	64.1/72.5
C138	4030011600	S.CER C1608 JB 1E 104K-T	B	69.4/84.3
C139	4030011600	S.CER C1608 JB 1E 104K-T	B	74.3/73.2
C140	4030006900	S.CER C1608 JB 1H 103K-T	B	81.1/73.5
C141	4030011600	S.CER C1608 JB 1E 104K-T	T	79/53.6
C142	4030011600	S.CER C1608 JB 1E 104K-T	T	91.4/47
C143	4050000290	S.FED CNF10R102S-TM	T	19.4/89.2
C144	4030011600	S.CER C1608 JB 1E 104K-T	T	27.3/75.7
C145	4030007100	S.CER C1608 CH 1H 560J-T	T	24.1/73.5
C146	4030008560	S.CER C1608 CH 1H 300J-T	T	22.2/77.1
C147	4030007060	S.CER C1608 CH 1H 270J-T	T	21.6/74.8
C148	4030011600	S.CER C1608 JB 1E 104K-T	T	21.4/85.6
C149	4030011600	S.CER C1608 JB 1E 104K-T	T	23.2/90.2
C150	4030007130	S.CER C1608 CH 1H 101J-T	T	26/75.7
C151	4030007130	S.CER C1608 CH 1H 101J-T	T	20.1/85.6
C152	4030007130	S.CER C1608 CH 1H 101J-T	T	52.4/100.3
C153	4030007130	S.CER C1608 CH 1H 101J-T	T	41.7/86.9
C154	4030007130	S.CER C1608 CH 1H 101J-T	T	24.8/88.9
C155	4030007130	S.CER C1608 CH 1H 101J-T	T	93.7/56.2
C156	4030007130	S.CER C1608 CH 1H 101J-T	T	76.9/51.7
C157	4030007130	S.CER C1608 CH 1H 101J-T	T	62.2/123.8
C158	4030007130	S.CER C1608 CH 1H 101J-T	B	74.4/114.8
C159	4030007130	S.CER C1608 CH 1H 101J-T	T	104.8/118.8
C160	4030007130	S.CER C1608 CH 1H 101J-T	T	58.1/119.2
C161	4030007130	S.CER C1608 CH 1H 101J-T	B	144.2/77.5
C162	4030007130	S.CER C1608 CH 1H 101J-T	B	102.4/79.6
C163	4030007130	S.CER C1608 CH 1H 101J-T	T	110.7/49.2
C164	4030007130	S.CER C1608 CH 1H 101J-T	T	166.7/52.9
C165	4030007130	S.CER C1608 CH 1H 101J-T	T	156.7/49.7
C166	4030007130	S.CER C1608 CH 1H 101J-T	T	89.4/97.1
C167	4030011340	S.CER C1608 CH 1H 471J-T	T	17.9/92.9
C168	4030007150	S.CER C1608 CH 1H 151J-T	T	17.9/91.4
C169	4030007170	S.CER C1608 CH 1H 221J-T	T	21.4/98.8
C170	4030007150	S.CER C1608 CH 1H 151J-T	T	22.9/98.8
C171	4030007170	S.CER C1608 CH 1H 221J-T	T	29.6/91.4
C172	4030007150	S.CER C1608 CH 1H 151J-T	T	29.6/96.6
C201	4030011600	S.CER C1608 JB 1E 104K-T	B	133.9/100.8
C202	4030011600	S.CER C1608 JB 1E 104K-T	B	132.4/100.8
C203	4030011600	S.CER C1608 JB 1E 104K-T	B	138.7/100.8
C204	4030011600	S.CER C1608 JB 1E 104K-T	B	142.7/100.8
C205	4030011600	S.CER C1608 JB 1E 104K-T	B	153.1/100.8
C206	4030011600	S.CER C1608 JB 1E 104K-T	B	135.5/85
C207	4030011600	S.CER C1608 JB 1E 104K-T	B	140.4/85
C208	4030011600	S.CER C1608 JB 1E 104K-T	B	132.8/118.3
C209	4030011600	S.CER C1608 JB 1E 104K-T	B	135.4/118.3
C210	4030011600	S.CER C1608 JB 1E 104K-T	B	138.9/118.3
C211	4030011600	S.CER C1608 JB 1E 104K-T	B	142/118.3
C212	4030011600	S.CER C1608 JB 1E 104K-T	B	152.1/118.3
C213	4030011600	S.CER C1608 JB 1E 104K-T	B	135.4/102.6
C214	4030011600	S.CER C1608 JB 1E 104K-T	B	140.2/102.7

[LOGIC UNIT]

REF NO.	ORDER NO.	DESCRIPTION	M.	H/V LOCATION
C215	4030011600	S.CER C1608 JB 1E 104K-T	B	104.1/105.4
C216	4030011600	S.CER C1608 JB 1E 104K-T	B	100.3/86.6
C217	4030011600	S.CER C1608 JB 1E 104K-T	B	106.2/94.6
C218	4030011600	S.CER C1608 JB 1E 104K-T	B	106.8/87.6
C219	4030011600	S.CER C1608 JB 1E 104K-T	B	109.4/87.6
C220	4030011600	S.CER C1608 JB 1E 104K-T	B	105.5/87.6
C221	4030011600	S.CER C1608 JB 1E 104K-T	B	111.3/81.6
C222	4030011600	S.CER C1608 JB 1E 104K-T	B	109.1/104.4
C223	4030011600	S.CER C1608 JB 1E 104K-T	B	105.5/98.4
C224	4030011600	S.CER C1608 JB 1E 104K-T	B	100.3/98.7
C225	4030011600	S.CER C1608 JB 1E 104K-T	B	106.2/92
C226	4030011600	S.CER C1608 JB 1E 104K-T	B	106.2/90.7
C227	4030011600	S.CER C1608 JB 1E 104K-T	B	111.4/87.6
C228	4030011600	S.CER C1608 JB 1E 104K-T	B	106.2/89.4
C229	4030011600	S.CER C1608 JB 1E 104K-T	B	116.1/104.4
C230	4030011600	S.CER C1608 JB 1E 104K-T	B	112/98.2
C231	4030011600	S.CER C1608 JB 1E 104K-T	B	117.2/98.6
C232	4030011600	S.CER C1608 JB 1E 104K-T	B	106.2/95.9
C233	4030011600	S.CER C1608 JB 1E 104K-T	B	117.2/92.1
C234	4030011600	S.CER C1608 JB 1E 104K-T	B	114/87.6
C235	4030011600	S.CER C1608 JB 1E 104K-T	B	116.9/81.4
C236	4030011600	S.CER C1608 JB 1E 104K-T	B	117.2/97.3
C237	4030011600	S.CER C1608 JB 1E 104K-T	B	117.2/96
C238	4030011600	S.CER C1608 JB 1E 104K-T	B	117.2/94.7
C239	4030011600	S.CER C1608 JB 1E 104K-T	B	100.3/96.1
C240	4030011600	S.CER C1608 JB 1E 104K-T	B	117.2/90.8
C241	4030011600	S.CER C1608 JB 1E 104K-T	B	117.2/89.5
C242	4030011600	S.CER C1608 JB 1E 104K-T	B	117.9/87.6
C243	4030011600	S.CER C1608 JB 1E 104K-T	B	116.6/87.6
C244	4030011600	S.CER C1608 JB 1E 104K-T	B	106.2/93.3
C245	4030011600	S.CER C1608 JB 1E 104K-T	B	106.8/98.2
C246	4030011600	S.CER C1608 JB 1E 104K-T	B	117.2/94.4
C247	4030011600	S.CER C1608 JB 1E 104K-T	B	114/98.2
C248	4030011600	S.CER C1608 JB 1E 104K-T	B	115.3/87.6
C249	4030011600	S.CER C1608 JB 1E 104K-T	B	108.1/87.6
C250	4030007050	S.CER C1608 CH 1H 220J-T	T	117.8/106.3
C251	4030007050	S.CER C1608 CH 1H 220J-T	T	115.2/106.3
C252	4030006990	S.CER C1608 CH 1H 080D-T	T	114.8/79.8
C253	4030006990	S.CER C1608 CH 1H 080D-T	T	116.1/79.8
C254	4030006900	S.CER C1608 JB 1H 103K-T	T	98.4/100.4
C255	4510008520	S.ELE EEE1CA470SP	T	115.8/116.9
C256	4030006900	S.CER C1608 JB 1H 103K-T	T	97.6/82.8
C257	4510007130	S.ELE EEFCD 0J 470R	T	93/81.3
C258	4030011600	S.CER C1608 JB 1E 104K-T	T	99.75.1
C259	4030011600	S.CER C1608 JB 1E 104K-T	B	100.3/91.9
C260	4030011600	S.CER C1608 JB 1E 104K-T	B	122.9/139.6
C261	4030011600	S.CER C1608 JB 1E 104K-T	B	121.6/139.6
C262	4030011600	S.CER C1608 JB 1E 104K-T	B	114.4/141
C263	4030011600	S.CER C1608 JB 1E 104K-T	B	109.2/131.5
C264	4030011600	S.CER C1608 JB 1E 104K-T	B	114.4/142.3
C265	4510008540	S.ELE EEE1CA100SR	T	116.1/143.5
C266	4030011600	S.CER C1608 JB 1E 104K-T	T	111.3/143.6
C267	4030007100	S.CER C1608 CH 1H 560J-T	B	119.8/143.9
C268	4030007100	S.CER C1608 CH 1H 560J-T	B	119.8/150.3
C269	4030007100	S.CER C1608 CH 1H 560J-T	B	113/147.6
C270	4030007050	S.CER C1608 CH 1H 220J-T	B	121.8/143.2
C271	4030007050	S.CER C1608 CH 1H 220J-T	B	121.8/149.6
C272	4030007050	S.CER C1608 CH 1H 220J-T	B	113.4/152.3
C273	4030011600	S.CER C1608 JB 1E 104K-T	B	163.2/97.9
C274	4030007170	S.CER C1608 CH 1H 221J-T	B	172.4/102.5
C275	4030007170	S.CER C1608 CH 1H 221J-T	B	172.4/99.7
C276	4030007050	S.CER C1608 CH 1H 220J-T	T	9.4/70.5
C277	4030007050	S.CER C1608 CH 1H 220J-T	T	2.2/70
C278	4510008500	S.ELE EEE1CA101WP	T	23.3/67.5
C279	4030007050	S.CER C1608 CH 1H 220J-T	T	9.4/66.6
C280	4030007050	S.CER C1608 CH 1H 220J-T	T	2.2/66.1
C281	4510008500	S.ELE EEE1CA101WP	T	14.3/67.5
C282	4030011600	S.CER C1608 JB 1E 104K-T	B	13.8/71.1
C283	4030017490	S.CER C1608 JB 1A 105K-T	B	2.4/66.9
C284	4030011600	S.CER C1608 JB 1E 104K-T	B	85/122.7
C285	4550007520	S.TAN F931A106MAABMA	B	85.4/120.9
C286	4550007520	S.TAN F931A106MAABMA		

[LOGIC UNIT]

REF NO.	ORDER NO.	DESCRIPTION	M.	H/V LOCATION
C407	4030011600	S.CER C1608 JB 1E 104K-T	B	44.4/50.6
C408	4030011600	S.CER C1608 JB 1E 104K-T	B	53.2/57.3
C409	4030011600	S.CER C1608 JB 1E 104K-T	B	53.4/62.5
C410	4030011600	S.CER C1608 JB 1E 104K-T	B	53.4/66
C411	4030011600	S.CER C1608 JB 1E 104K-T	B	55.6/51.2
C412	4030006860	S.CER C1608 JB 1H 102K-T	T	44/59.7
C413	4030006900	S.CER C1608 JB 1H 103K-T	T	41.4/59.7
C414	4030007150	S.CER C1608 CH 1H 151J-T	T	42.7/59.7
C415	4030011600	S.CER C1608 JB 1E 104K-T	B	29.9/45.5
C416	4510008540	S.ELE EEE1CA100SR	T	40.6/45.8
C417	4030011600	S.CER C1608 JB 1E 104K-T	B	29.8/47.6
C418	4510008540	S.ELE EEE1CA100SR	T	35.4/51.7
C419	4030006900	S.CER C1608 JB 1H 103K-T	T	39.7/75.5
C420	4030007150	S.CER C1608 CH 1H 151J-T	T	39.7/74.2
C421	4550007520	S.TAN F931A106MAABMA	B	34.4/41.8
C422	4030011600	S.CER C1608 JB 1E 104K-T	T	37/77.3
C423	4030011600	S.CER C1608 JB 1E 104K-T	B	50/100.1
C424	4030011600	S.CER C1608 JB 1E 104K-T	B	53.3/96.3
C425	4030011600	S.CER C1608 JB 1E 104K-T	B	49.3/86.4
C426	4030011600	S.CER C1608 JB 1E 104K-T	B	49.5/82.7
C427	4030011600	S.CER C1608 JB 1E 104K-T	B	41.5/77.8
C428	4030011600	S.CER C1608 JB 1E 104K-T	B	35.5/77.8
C429	4030011600	S.CER C1608 JB 1E 104K-T	B	32.9/77.8
C430	4030011600	S.CER C1608 JB 1E 104K-T	B	23.5/99.4
C431	4030011600	S.CER C1608 JB 1E 104K-T	B	27/87.4
C432	4030011600	S.CER C1608 JB 1E 104K-T	B	27/94
C433	4030011600	S.CER C1608 JB 1E 104K-T	B	27/97.2
C434	4030011600	S.CER C1608 JB 1E 104K-T	B	31.9/105.2
C435	4030011600	S.CER C1608 JB 1E 104K-T	B	35.5/105.2
C436	4030011600	S.CER C1608 JB 1E 104K-T	B	40.4/105.2
C437	4030011600	S.CER C1608 JB 1E 104K-T	T	32.4/108.5
C438	4030011600	S.CER C1608 JB 1E 104K-T	T	22.4/105.7
C439	4030011600	S.CER C1608 JB 1E 104K-T	T	27.5/122.5
C440	4030019220	S.CER C4532X7R3D222KT	T	19.8/126.2
C441	4030007130	S.CER C1608 CH 1H 101J-T	T	46.1/104.6
C442	4030011600	S.CER C1608 JB 1E 104K-T	T	46.1/105.9
C443	4030011600	S.CER C1608 JB 1E 104K-T	B	41.9/47.3
C444	4030007130	S.CER C1608 CH 1H 101J-T	B	24.5/60.4
C445	4030007130	S.CER C1608 CH 1H 101J-T	B	29.9/44.2
C446	4030007130	S.CER C1608 CH 1H 101J-T	B	31.1/47.6
C447	4030007130	S.CER C1608 CH 1H 101J-T	T	37/76
C448	4030007130	S.CER C1608 CH 1H 101J-T	B	26.5/80
C449	4030007130	S.CER C1608 CH 1H 101J-T	T	33.7/108.5
C450	4030007130	S.CER C1608 CH 1H 101J-T	T	23.7/105.7
C451	4030007130	S.CER C1608 CH 1H 101J-T	T	26.2/122.5
C452	4030011340	S.CER C1608 CH 1H 471J-T	T	38.7/58.7
C453	4030011600	S.CER C1608 JB 1E 104K-T	T	38.7/60
C501	4510008540	S.ELE EEE1CA100SR	T	150.1/128
C502	4030011600	S.CER C1608 JB 1E 104K-T	T	146.3/129.3
C503	4030011600	S.CER C1608 JB 1E 104K-T	T	146.3/131.9
C504	4030011600	S.CER C1608 JB 1E 104K-T	T	146.3/143.1
C505	4030011600	S.CER C1608 JB 1E 104K-T	T	137.2/146.2
C506	4030011600	S.CER C1608 JB 1E 104K-T	T	132.7/146.2
C507	4030011600	S.CER C1608 JB 1E 104K-T	T	126.3/143.1
C508	4030011600	S.CER C1608 JB 1E 104K-T	T	126.3/137.7
C509	4030011600	S.CER C1608 JB 1E 104K-T	T	126.3/134.6
C510	4030011600	S.CER C1608 JB 1E 104K-T	T	126.3/129
C511	4030011600	S.CER C1608 JB 1E 104K-T	T	131.8/123.9
C512	4030011600	S.CER C1608 JB 1E 104K-T	T	141/123.9
C513	4510008540	S.ELE EEE1CA100SR	T	150.4/134.5
C514	4030011600	S.CER C1608 JB 1E 104K-T	T	146.3/134.7
C515	4030011600	S.CER C1608 JB 1E 104K-T	T	146.3/137.3
C516	4030011600	S.CER C1608 JB 1E 104K-T	T	146.9/140.3
C517	4030008920	S.CER C1608 JB 1H 473K-T	B	140.2/132.7
C518	4030008920	S.CER C1608 JB 1H 473K-T	B	140.2/134
C519	4030008920	S.CER C1608 JB 1H 473K-T	B	140.2/136.6
C520	4030008920	S.CER C1608 JB 1H 473K-T	B	140.2/137.9
C521	4030008920	S.CER C1608 JB 1H 473K-T	B	140.2/139.2
C522	4030008920	S.CER C1608 JB 1H 473K-T	T	149/139.5
C523	4030008920	S.CER C1608 JB 1H 473K-T	B	137.4/135.3
C524	4030008920	S.CER C1608 JB 1H 473K-T	B	137.4/140.5
C525	4030007130	S.CER C1608 CH 1H 101J-T	T	147.6/137.3
C526	4030007130	S.CER C1608 CH 1H 101J-T	T	132.7/147.5
C550	4030006880	S.CER C1608 JB 1H 472K-T	B	147/21.6
C551	4030011600	S.CER C1608 JB 1E 104K-T	B	126.7/33.3
C552	4030011600	S.CER C1608 JB 1E 104K-T	B	128.7/37.5
C553	4030011600	S.CER C1608 JB 1E 104K-T	B	141.2/47.9
C554	4030011600	S.CER C1608 JB 1E 104K-T	B	140.9/23.5
C555	4510008540	S.ELE EEE1CA100SR	T	139.5/33.5
C556	4030011600	S.CER C1608 JB 1E 104K-T	B	152.7/31.7
C557	4030011600	S.CER C1608 JB 1E 104K-T	B	151.4/31.7
C558	4030011600	S.CER C1608 JB 1E 104K-T	B	143/23.2
C559	4030011600	S.CER C1608 JB 1E 104K-T	B	144.3/23.2
C560	4510008540	S.ELE EEE1CA100SR	T	144.3/32.4
C561	4030010240	S.CER C1608 JB 1H 391K-T	B	158.3/29.6
C562	4030007140	S.CER C1608 CH 1H 121J-T	B	155.3/34
C563	4030010040	S.CER C1608 JB 1H 561K-T	B	157.7/36.8
C564	4030007130	S.CER C1608 CH 1H 101J-T	B	140.9/24.8
C565	4030007130	S.CER C1608 CH 1H 101J-T	B	154/31.7
C601	4030011600	S.CER C1608 JB 1E 104K-T	B	54.8/34.2
C602	4030007130	S.CER C1608 CH 1H 101J-T	B	54.8/32.9
C603	4030011600	S.CER C1608 JB 1E 104K-T	B	94.3/59.7
C604	4030011600	S.CER C1608 JB 1E 104K-T	B	115.1/51.8
C605	4030011600	S.CER C1608 JB 1E 104K-T	B	115.2/36.2
C606	4030011600	S.CER C1608 JB 1E 104K-T	B	99.1/32.6
C607	4030011600	S.CER C1608 JB 1E 104K-T	B	96.5/32.6
C608	4550007520	S.TAN F931A106MAABMA	T	91.1/34.1
C609	4550007520	S.TAN F931A106MAABMA	T	93.3/34.1
C610	4030006900	S.CER C1608 JB 1H 103K-T	T	87.6/37.7
C611	4030006900	S.CER C1608 JB 1H 103K-T	B	85/38.5
C612	4030007010	S.CER C1608 CH 1H 100D-T	T	95.6/31.9
C613	4030007010	S.CER C1608 CH 1H 100D-T	T	98.2/31.9
C614	4030011600	S.CER C1608 JB 1E 104K-T	B	100.9/29.2
C615	4030007130	S.CER C1608 CH 1H 101J-T	B	47.2/31.5

[LOGIC UNIT]

REF NO.	ORDER NO.	DESCRIPTION	M.	H/V LOCATION
C616	4030011600	S.CER C1608 JB 1E 104K-T	B	47.2/30.2
C617	4030007130	S.CER C1608 CH 1H 101J-T	B	120.1/54.2
C618	4030007130	S.CER C1608 CH 1H 101J-T	B	88.9/37.7
C619	4030006880	S.CER C1608 JB 1H 472K-T	T	95.6/43.8
C620	4030006880	S.CER C1608 JB 1H 472K-T	T	95.6/41.2
C621	4030006880	S.CER C1608 JB 1H 472K-T	T	95.6/38.6
C622	4030006880	S.CER C1608 JB 1H 472K-T	T	95.6/36
C623	4030006880	S.CER C1608 JB 1H 472K-T	T	95.6/46.34
C624	4030006880	S.CER C1608 JB 1H 472K-T	B	88/40.4
C625	4030007130	S.CER C1608 CH 1H 101J-T	B	86.3/38.5
C626	4030011600	S.CER C1608 JB 1E 104K-T	B	75.1/35.3
C627	4030011600	S.CER C1608 JB 1E 104K-T	B	78.4/35.3
C628	4030011600	S.CER C1608 JB 1E 104K-T	B	81.3/44.1
C629	4030011600	S.CER C1608 JB 1E 104K-T	B	68.5/52.4
C630	4030011600	S.CER C1608 JB 1E 104K-T	B	165.6/66.7
C631	4030011600	S.CER C1608 JB 1E 104K-T	B	163.6/63.1
C632	4030011600	S.CER C1608 JB 1E 104K-T	B	148.1/79.9
C633	4030011600	S.CER C1608 JB 1E 104K-T	B	152.9/81.7
C634	4030011600	S.CER C1608 JB 1E 104K-T	B	167.4/72
C635	4030011600	S.CER C1608 JB 1E 104K-T	B	145.8/73.5
C636	4030011600	S.CER C1608 JB 1E 104K-T	B	145.8/67.1
C637	4510008540	S.ELE EEE1CA100SR	T	116.5/47.3
C638	4030011600	S.CER C1608 JB 1E 104K-T	T	21.2/132.3
C639	4030011600	S.CER C1608 JB 1E 104K-T	T	21.2/135.4
C640	4030007130	S.CER C1608 CH 1H 101J-T	B	73.2/34.5
C641	4030007130	S.CER C1608 CH 1H 101J-T	B	80.3/37.2
C642	4030007130	S.CER C1608 CH 1H 101J-T	B	80/44.1
C643	4030007130	S.CER C1608 CH 1H 101J-T	B	69.8/51.5
C644	4030007130	S.CER C1608 CH 1H 101J-T	B	145.8/69.8
C645	4030007130	S.CER C1608 CH 1H 101J-T	B	22.5/132.9
C801	4510008540	S.ELE EEE1CA100SR	T	183/147.2
C802	4030011600	S.CER C1608 JB 1E 104K-T	B	169.5/148.9
C803	4030011600	S.CER C1608 JB 1E 104K-T	B	169.5/151.8
C804	4510008540	S.ELE EEE1CA100SR	T	183/152
C805	4510008540	S.ELE EEE1CA100SR	T	191.5/142.4
C806	4030011600	S.CER C1608 JB 1E 104K-T	B	191.9/131.1
C807	4030011600	S.CER C1608 JB 1E 104K-T	B	189/131.1
C808	4510008540	S.ELE EEE1CA100SR	T	186.7/142.4
C809	4510008540	S.ELE EEE1CA100SR	T	22.8/8.3
C810	4030011600	S.CER C1608 JB 1E 104K-T	B	30.6/6.6
C811	4030011600	S.CER C1608 JB 1E 104K-T	B	30.6/3.7
C812	4510008540	S.ELE EEE1CA100SR	T	22.8/3.5
C813	4510008540	S.ELE EEE1CA100SR	T	181.3/38.6
C814	4030011600	S.CER C1608 JB 1E 104K-T	B	176.6/36.7
C815	4030011600	S.CER C1608 JB 1E 104K-T	B	176.6/39.6
C816	4510008520	S.ELE EEE1CA470SP	T	175.2/39.8
C817	4550007520	S.TAN F931A106MAABMA	B	9.7/18.1
C818	4030011600	S.CER C1608 JB 1E 104K-T	B	11.6/19.1
C819	4030011600	S.CER C1608 JB 1E 104K-T	B	17.2/20.5
C820	4550007210	S.TAN F930G476MBABMA	B	20.1/22.3
C823	4030006860	S.CER C1608 JB 1H 102K-T	B	182.3/51.5
C824	4030007130	S.CER C1608 CH 1H 101J-T	B	186.2/51.5
C825	4030006860	S.CER C1608 JB 1H 102K-T	B	182.4/55.2
C826	4030007130	S.CER C1608 CH 1H 101J-T	B	186.2/55.3
C827	4030018960	S.CER C3216 JB 1C 106MT-N	T	44.1/144.5
C828	4030011600	S.CER C1608 JB 1E 104K-T	B	44.1/145.9
C829	4030011600	S.CER C1608 JB 1E 104K-T	B	44.1/148.7
C830	4030018960	S.CER C3216 JB 1C 106MT-N	T	44.1/149.5
C847	4510008520	S.ELE EEE1CA470SP	T	187.1/71
C851	4030006860	S.CER C1608 JB 1H 102K-T	B	130.3/9.4
C852	4030006860	S.CER C1608 JB 1H 102K-T	B	137.8/9.4
C853	4030006860	S.CER C1608 JB 1H 102K-T	B	140.3/9.4
C854	4030006860	S.CER C1608 JB 1H 102K-T	B	142.8/9.5
C861	4030006860	S.CER C1608 JB 1H 102K-T	B	48.7/9.5
C862	4030006860	S.CER C1608 JB 1H 102K-T	B	51.2/9.5
C863	4030006860	S.CER C1608 JB 1H 102K-T	B	56.2/9.5
C864	4030006860	S.CER C1608 JB 1H 102K-T	B	58.7/9.5
C865	4030006860	S.CER C1608 JB 1H 102K-T	B	63.7/9.5
C866	4030006860	S.CER C1608 JB 1H 102K-T	B	68.7/9.5
C871	4030007050	S.CER C1608 CH 1H 220J-T	T	43.4/42.5
C872	4030007050	S.CER C1608 CH 1H 220J-T	T	43.4/28.7
C873	4030007050	S.CER C1608 CH 1H 220J-T	T	44.7/42.5
C874	4030006860	S.CER C1608 JB 1H 102K-T	T	

[LOGIC UNIT]

REF NO.	ORDER NO.	DESCRIPTION	M.	H/V LOCATION
C919	4030006900	S.CER C1608 JB 1H 103K-T	T	10/126.2
C920	4030006900	S.CER C1608 JB 1H 103K-T	B	6.6/122.9
C921	4030006900	S.CER C1608 JB 1H 103K-T	T	8.6/123.6
C922	4030006900	S.CER C1608 JB 1H 103K-T	B	6.6/121.6
C923	4030006900	S.CER C1608 JB 1H 103K-T	B	6.6/129.4
C924	4030006860	S.CER C1608 JB 1H 102K-T	T	11.3/142.7
C925	4030007130	S.CER C1608 CH 1H 101J-T	T	10/142.7
C926	4030006860	S.CER C1608 JB 1H 102K-T	B	10.7/135.6
C927	4030007130	S.CER C1608 CH 1H 101J-T	B	13.9/135.5
C928	4030006860	S.CER C1608 JB 1H 102K-T	B	12/133
C929	4030007130	S.CER C1608 CH 1H 101J-T	B	13.9/134.2
C930	4030006860	S.CER C1608 JB 1H 102K-T	B	7/137.5
C931	4030006860	S.CER C1608 JB 1H 102K-T	T	64.6/138.2
C932	4030006860	S.CER C1608 JB 1H 102K-T	T	62.6/138.2
C933	4030006860	S.CER C1608 JB 1H 102K-T	T	59.6/137
C934	4030006860	S.CER C1608 JB 1H 102K-T	T	55.8/138.4
C935	4030006860	S.CER C1608 JB 1H 102K-T	T	51/151.5
C936	4030006860	S.CER C1608 JB 1H 102K-T	T	52.6/138.5
C937	4030007130	S.CER C1608 CH 1H 101J-T	B	7/138.8
C938	4030006860	S.CER C1608 JB 1H 102K-T	B	7/136.1
C939	4030007130	S.CER C1608 CH 1H 101J-T	B	7/134.7
C940	4030006860	S.CER C1608 JB 1H 102K-T	B	4/110.6
C941	4030006900	S.CER C1608 JB 1H 103K-T	T	73.6/138.1
C942	4030006900	S.CER C1608 JB 1H 103K-T	T	74.9/137.1
C943	4030006900	S.CER C1608 JB 1H 103K-T	T	76.2/137.1
C944	4030006900	S.CER C1608 JB 1H 103K-T	T	77.5/137.1
C945	4030006900	S.CER C1608 JB 1H 103K-T	T	80.1/138.7
C946	4030006900	S.CER C1608 JB 1H 103K-T	T	81.5/136.2
C947	4030007050	S.CER C1608 CH 1H 220J-T	T	83.2/137.7
C948	4030007050	S.CER C1608 CH 1H 220J-T	T	84.5/137.7
C949	4030007050	S.CER C1608 CH 1H 220J-T	T	85.8/137.6
C950	4030007050	S.CER C1608 CH 1H 220J-T	T	87.1/137.6
C951	4030007050	S.CER C1608 CH 1H 220J-T	T	88.4/137.6
C952	4030007050	S.CER C1608 CH 1H 220J-T	T	89.7/137.6
C953	4030007050	S.CER C1608 CH 1H 220J-T	T	91/137.6
C954	4030006880	S.CER C1608 JB 1H 472K-T	T	96.1/137.9
C955	4030006880	S.CER C1608 JB 1H 472K-T	T	98.7/137.9
C956	4030006880	S.CER C1608 JB 1H 472K-T	T	101/137.6
C957	4030006880	S.CER C1608 JB 1H 472K-T	T	102.3/137.6
C958	4030007130	S.CER C1608 CH 1H 101J-T	B	4/109.3
C959	4030006860	S.CER C1608 JB 1H 102K-T	B	8.5/101.3
C960	4030006860	S.CER C1608 JB 1H 102K-T	T	27.8/20.1
C961	4030006880	S.CER C1608 JB 1H 472K-T	T	173.4/12.8
C962	4030006880	S.CER C1608 JB 1H 472K-T	T	173.4/15.5
C963	4030006880	S.CER C1608 JB 1H 472K-T	T	173.4/18.1
C964	4030007050	S.CER C1608 CH 1H 220J-T	T	173.4/22
C965	4030007050	S.CER C1608 CH 1H 220J-T	T	173.4/23.3
C966	4030007050	S.CER C1608 CH 1H 220J-T	T	173.4/24.6
C967	4030006880	S.CER C1608 JB 1H 472K-T	T	173.4/29.8
C968	4030006880	S.CER C1608 JB 1H 472K-T	T	173.4/31.5
C969	4030006880	S.CER C1608 JB 1H 472K-T	T	173.4/28.2
C970	4030007050	S.CER C1608 CH 1H 220J-T	T	173.4/25.9
C971	4030007050	S.CER C1608 CH 1H 220J-T	T	173.4/20.7
C972	4030006880	S.CER C1608 JB 1H 472K-T	T	173.4/19.4
C973	4030006880	S.CER C1608 JB 1H 472K-T	T	173.4/16.8
C974	4030006880	S.CER C1608 JB 1H 472K-T	T	173.4/14.2
C975	4030007130	S.CER C1608 CH 1H 101J-T	B	8.5/102.6
C976	4030011340	S.CER C1608 CH 1H 471J-T	T	176.9/127.1
C977	4030011340	S.CER C1608 CH 1H 471J-T	T	176.9/128.4
C978	4030011340	S.CER C1608 CH 1H 471J-T	T	176.9/129.7
C979	4030006880	S.CER C1608 JB 1H 472K-T	T	176.9/131
C980	4030006880	S.CER C1608 JB 1H 472K-T	T	176.9/133
C981	4030006880	S.CER C1608 JB 1H 472K-T	T	176.9/135.6
C982	4030011340	S.CER C1608 CH 1H 471J-T	T	27.7/138.1
C983	4030011340	S.CER C1608 CH 1H 471J-T	T	29/138.1
C984	4030006880	S.CER C1608 JB 1H 472K-T	T	31.2/136.3
C985	4030006880	S.CER C1608 JB 1H 472K-T	T	34.7/137
C986	4030006880	S.CER C1608 JB 1H 472K-T	T	36/137
C987	4030006880	S.CER C1608 JB 1H 472K-T	T	38.2/137.6
C991	4030006880	S.CER C1608 JB 1H 472K-T	T	37/130
C992	4030006880	S.CER C1608 JB 1H 472K-T	T	41.4/8.9
C1001	4510008540	S.ELE EEE1CA100SR	T	40.7/122.6
C1002	4510008560	S.ELE EEE1HAR47SR	T	16.1/139.4
C1004	4030011600	S.CER C1608 JB 1E 104K-T	B	29.5/122
C1005	4510008540	S.ELE EEE1CA100SR	T	31.1/129.3
C1006	4030011600	S.CER C1608 JB 1E 104K-T	B	29.5/133
C1007	4510008540	S.ELE EEE1CA100SR	T	25.6/130.6
C1011	4510008540	S.ELE EEE1CA100SR	T	40.7/127.4
C1012	4030009490	S.CER C1608 JB 1H 821K-T	B	23.4/132.3
C1013	4030009490	S.CER C1608 JB 1H 821K-T	B	28.2/133
C1014	4510008540	S.ELE EEE1CA100SR	T	40.7/132.2
C1015	4030010760	S.CER C1608 CH 1H 331J-T	B	32/132.3
C1016	4030008470	S.CER C1608 JB 1H 272K-T	B	33.9/133
C1031	4510008500	S.ELE EEE1CA101WP	T	163.7/125
C1032	4510008500	S.ELE EEE1CA101WP	T	156.3/134.6
C1033	4030011600	S.CER C1608 JB 1E 104K-T	T	169.6/131.9
C1034	4510008500	S.ELE EEE1CA101WP	T	171.9/126
C1035	4030018910	S.CER C1608 JB 0J 475K-T	T	172.2/131.9
C1036	4510008500	S.ELE EEE1CA101WP	T	164.5/137.6
C1037	4550007410	S.TAN F931A157MNMNMBMA	T	172.7/146.1
C1051	4510008510	S.ELE EEE1CA471P	T	78/20
C1052	4510008510	S.ELE EEE1CA471P	T	27.8/28.3
C1053	4510008510	S.ELE EEE1CA471P	T	5.7/19.3
C1054	4510008510	S.ELE EEE1CA471P	T	16.5/19.3
C1055	4510008510	S.ELE EEE1CA471P	T	54/20
C1056	4030006900	S.CER C1608 JB 1H 103K-T	T	40.6/24.4
C1057	4030011600	S.CER C1608 JB 1E 104K-T	T	3.1/10.6
C1058	4030011600	S.CER C1608 JB 1E 104K-T	T	35.2/27.4
C1059	4030011600	S.CER C1608 JB 1E 104K-T	T	65/21.7
C1060	4030011600	S.CER C1608 JB 1E 104K-T	T	15.9/10.8
C1061	4030011600	S.CER C1608 JB 1E 104K-T	T	53.3/12.3
C1062	4030017490	S.CER C1608 JB 1A 105K-T	T	4.4/10.6
C1063	4030017490	S.CER C1608 JB 1A 105K-T	T	33.9/27.4
C1064	4030017490	S.CER C1608 JB 1A 105K-T	T	66.3/21.7

[LOGIC UNIT]

REF NO.	ORDER NO.	DESCRIPTION	M.	H/V LOCATION
C1065	4030017490	S.CER C1608 JB 1A 105K-T	T	17.2/10.8
C1066	4030017490	S.CER C1608 JB 1A 105K-T	T	53.3/11
C1162	4030006860	S.CER C1608 JB 1H 102K-T	T	32.3/11
C1164	4030006860	S.CER C1608 JB 1H 102K-T	T	35.4/21.2
C1165	4030006860	S.CER C1608 JB 1H 102K-T	T	37.3/22.4
C1401	4030007170	S.CER C1608 CH 1H 221J-T	T	121.1/24.6
C1402	4030007170	S.CER C1608 CH 1H 221J-T	T	122.5/24.6
C1403	4030007170	S.CER C1608 CH 1H 221J-T	T	123.9/24.6
C1404	4030007170	S.CER C1608 CH 1H 221J-T	T	125.3/24.6
C1405	4030007170	S.CER C1608 CH 1H 221J-T	T	126.7/24.6
C1406	4030007170	S.CER C1608 CH 1H 221J-T	T	128.1/24.6
C1407	4030007170	S.CER C1608 CH 1H 221J-T	T	129.5/24.6
C1408	4030007170	S.CER C1608 CH 1H 221J-T	T	130.9/24.6
C1409	4030007170	S.CER C1608 CH 1H 221J-T	T	132.3/24.6
C1410	4030007170	S.CER C1608 CH 1H 221J-T	T	133.7/24.6
C1411	4030007170	S.CER C1608 CH 1H 221J-T	T	135.1/24.6
J1	6510022490	S.CNR AXK5S30045P	T	54.7/113
J2	6510019870	S.CNR AXK5S40045P	T	99.7/113
J52	6510023261	S.CNR B6B-PH-SM4-TB (LF) (SN)	T	161.7/94.7
J102	6510019981	S.CNR 52808-1671 (1690)	T	87.2/55
J602	6510019971	S.CNR 52808-1071	T	110.2/29.5
J604	6510019971	S.CNR 52808-1071	T	87.2/38
J801	6510003441	CNR B08B-EH-S (LF) (SN)	T	14/113.8
J802	6510003461	CNR B10B-EH-S (LF) (SN)	T	188/53.7
J803	6510020251	S.CNR B9B-PH-SM4-TB (LF) (SN)	T	188/53.9
J805	6510020081	S.CNR 52808-2071 (2090)	T	5.1/112
J806	6510022471	S.CNR 40FLT-SM2-TB (LF) (SN)	T	5.1/130.6
J811	6510021721	S.CNR 30FLT-SM2-TB (LF) (SN)	T	5.3/46.2
J812	6510021721	S.CNR 30FLT-SM2-TB (LF) (SN)	T	58.1/146.5
J813	6510024151	S.CNR 50FY-BMT-TB (LF) (SN)	T	51.9/35.6
J814	6510019981	S.CNR 52808-1671 (1690)	T	5.8/66
J815	6510021721	S.CNR 30FLT-SM2-TB (LF) (SN)	T	81.5/146.5
J816	6510024521	S.CNR 12FLT-SM2-TB (LF) (SN)	T	101.5/146.5
J817	6510020081	S.CNR 52808-2071 (2090)	T	188/21.1
J818	6510019971	S.CNR 52808-1071	T	188/129.5
J819	6510021721	S.CNR 30FLT-SM2-TB (LF) (SN)	T	30.8/146.5
J820	6510019981	S.CNR 52808-1671 (1690)	T	35.6/4.2
J821	6510019981	S.CNR 52808-1671 (1690)	T	153.7/146.5
J822	6510020521	S.CNR 52808-1271 (1290)	T	165.1/146.5
J851	6510018961	S.CNR B2B-PH-SM4-TB (LF) (SN)	T	33.6/15.2
J852	6510018961	S.CNR B2B-PH-SM4-TB (LF) (SN)	T	128.4/31.5
J853	6510019981	S.CNR 52808-1671 (1690)	T	
J900	6510021721	S.CNR 30FLT-SM2-TB (LF) (SN)	T	
DS401	5040002930	S.LED SML-512MW T86	T	40.5/104.6
DS402	5040002930	S.LED SML-512MW T86	T	40.5/103.3
DS403	5040002930	S.LED SML-512MW T86	T	40.5/102
S51	2260001890	S.SW SKQDPA	T	170.5/56.7
T401	5920000841	S.TSM H1102NL	T	27/115.4
EP2	6910015970	S.BEA MMZ1608B 301CT-AS	T	58.1/120.5
EP3	6910015970	S.BEA MMZ1608B 301CT-AS	T	108.9/117
EP4	6910015970	S.BEA MMZ1608B 301CT-AS	B	72.4/115.3
EP5	6910015970	S.BEA MMZ1608B 301CT-AS	T	61.5/121.7
EP1	6910015970	S.BEA MMZ1608B 301CT-AS	B	102.4/81.2
EP2	6910015970	S.BEA MMZ1608B 301CT-AS	B	142.2/78.3
EP3	6910015970	S.BEA MMZ1608B 301CT-AS	T	155.3/51.8
EP4	6910015970	S.BEA MMZ1608B 301CT-AS	T	164.6/55
EP5	6910015970	S.BEA MMZ1608B 301CT-AS	T	117.2/52.7
EP104	6910015970	S.BEA MMZ1608B 301CT-AS	T	36.5/86.9
EP105	6910015970	S.BEA MMZ1608B 301CT-AS	T	79.5/51.7
EP106	6910015970	S.BEA MMZ1608B 301CT-AS	T	26.4/72.7
EP107	6910015970	S.BEA MMZ1608B 301CT-AS	T	20.9/87.5
EP108	6910015970	S.BEA MMZ1608B 301CT-AS	T	22.2/88.9
EP109	6910015970	S.BEA MMZ1608B 301CT-AS	T	49.8/101.1
EP110	6910015970	S.BEA MMZ1608B 301CT-AS	T	90.7/97.1
EP111	6910015970	S.BEA MMZ1608B 301CT-AS	T	16.8/89.6
EP201	6910012350	S.BEA MMZ1608Y 102BT	T	111.3/146.3
EP202	6910012350	S.BEA MMZ1608Y 102BT	T	111.3/144.9
EP203	6910012350	S.BEA MMZ1608Y 102BT	T	99.2/102.2
EP204	6910012350	S.BEA MMZ1608Y 102BT	T	96.3/83.6
EP205	6910015970	S.BEA MMZ1608B 301CT-AS	B	155.2/100
EP206	6910015970	S.BEA MMZ1608B 301CT-AS	B	147.4/118.9
EP207	6910015970	S.BEA MMZ1608B 301CT-AS	T	132.1/78.1
EP208	6910015970	S.BEA MMZ1608B 301CT-AS	T	94/94.7
EP211	6910015970	S.BEA MMZ1608B 301CT-AS</		

[LOGIC UNIT]

REF NO.	ORDER NO.	DESCRIPTION	M.	H/V LOCATION
EP502	6910015970	S.BEA MMZ1608B 301CT-AS	T	146.3/126.5
EP503	6910015970	S.BEA MMZ1608B 301CT-AS	T	138.5/30
EP504	6910015970	S.BEA MMZ1608B 301CT-AS	B	153.5/37.9
EP601	6910015970	S.BEA MMZ1608B 301CT-AS	B	58.3/34.9
EP602	6910015970	S.BEA MMZ1608B 301CT-AS	B	119.3/51.9
EP603	6910015970	S.BEA MMZ1608B 301CT-AS	B	86.8/35.8
EP604	6910015970	S.BEA MMZ1608B 301CT-AS	B	82.9/37.7
EP605	6910015970	S.BEA MMZ1608B 301CT-AS	B	75.5/34
EP606	6910015970	S.BEA MMZ1608B 301CT-AS	B	81/35.3
EP607	6910015970	S.BEA MMZ1608B 301CT-AS	B	80.7/42.2
EP608	6910015970	S.BEA MMZ1608B 301CT-AS	B	70.4/53.3
EP609	6910015970	S.BEA MMZ1608B 301CT-AS	B	45.7/33.3
EP621	6910015970	S.BEA MMZ1608B 301CT-AS	T	21.2/129.5
EP631	6910015970	S.BEA MMZ1608B 301CT-AS	B	144.5/73.5
EP801	6910013310	S.BEA MMZ1608D121B	T	180.7/96.6
EP802	6910013310	S.BEA MMZ1608D121B	T	178.1/95.9
EP803	6910013310	S.BEA MMZ1608D121B	T	180.7/95.2
EP804	6910013310	S.BEA MMZ1608D121B	T	178.1/94.5
EP805	6910013310	S.BEA MMZ1608D121B	T	180.7/93.8
EP806	6910013310	S.BEA MMZ1608D121B	T	178.1/93.1
EP807	6910013310	S.BEA MMZ1608D121B	T	180.7/92.4
EP808	6910013310	S.BEA MMZ1608D121B	T	178.1/91.7
EP809	6910013310	S.BEA MMZ1608D121B	T	180.7/91
EP810	6910013310	S.BEA MMZ1608D121B	T	178.1/90.3
EP811	6910013310	S.BEA MMZ1608D121B	T	180.7/89.6
EP812	6910013310	S.BEA MMZ1608D121B	T	178.1/88.9
EP813	6910013310	S.BEA MMZ1608D121B	T	180.7/88.2
EP814	6910013310	S.BEA MMZ1608D121B	T	178.1/87.5
EP815	6910013310	S.BEA MMZ1608D121B	T	180.7/86.8
EP816	6910013310	S.BEA MMZ1608D121B	T	178.1/86.1
EP817	6910013310	S.BEA MMZ1608D121B	T	180.7/85.4
EP818	6910013310	S.BEA MMZ1608D121B	T	178.1/84.7
EP819	6910013310	S.BEA MMZ1608D121B	T	180.7/84
EP820	6910013310	S.BEA MMZ1608D121B	T	180.7/82
EP822	6910014730	S.BEA MPZ2012S331A-T	T	181.6/48.5
EP823	6910014730	S.BEA MPZ2012S331A-T	T	181.6/51.3
EP825	6910014730	S.BEA MPZ2012S331A-T	T	181.5/55.2
EP826	6910015970	S.BEA MMZ1608B 301CT-AS	T	182.5/57.7
EP827	6910015970	S.BEA MMZ1608B 301CT-AS	T	182.5/60.3
EP828	6910015970	S.BEA MMZ1608B 301CT-AS	T	182.5/61.6
EP829	6910015970	S.BEA MMZ1608B 301CT-AS	T	182.5/59
EP851	6910014730	S.BEA MPZ2012S331A-T	T	135.3/9.8
EP853	6910014730	S.BEA MPZ2012S331A-T	T	137.8/9.8
EP854	6910014730	S.BEA MPZ2012S331A-T	T	140.3/9.8
EP855	6910014730	S.BEA MPZ2012S331A-T	T	142.8/9.8
EP856	6910014730	S.BEA MPZ2012S331A-T	T	132.8/9.9
EP857	6910014730	S.BEA MPZ2012S331A-T	T	130.3/9.9
EP861	6910014730	S.BEA MPZ2012S331A-T	T	66.4/10.1
EP862	6910014730	S.BEA MPZ2012S331A-T	T	68.4/10.1
EP901	6910015970	S.BEA MMZ1608B 301CT-AS	T	8.7/105.3
EP902	6910014730	S.BEA MPZ2012S331A-T	T	2.1/111.2
EP903	6910014730	S.BEA MPZ2012S331A-T	T	9.6/134.5
EP904	6910014730	S.BEA MPZ2012S331A-T	T	15.2/126.1
EP905	6910014730	S.BEA MPZ2012S331A-T	T	71.2/142
EP906	6910014730	S.BEA MPZ2012S331A-T	T	91/151
EP907	6910014730	S.BEA MPZ2012S331A-T	T	106/151
EP908	6910014730	S.BEA MPZ2012S331A-T	T	97/151
EP909	6910014730	S.BEA MPZ2012S331A-T	T	38.3/151
EP910	6910014730	S.BEA MPZ2012S331A-T	T	28.3/151
EP911	6910014730	S.BEA MPZ2012S331A-T	T	9.1/140.6
EP912	6910014730	S.BEA MPZ2012S331A-T	T	9.1/138.9
EP913	6910015970	S.BEA MMZ1608B 301CT-AS	T	9.2/137.3
EP914	6910015970	S.BEA MMZ1608B 301CT-AS	T	9.2/136
EP915	6910015970	S.BEA MMZ1608B 301CT-AS	B	4.2/137.3
EP916	6910015970	S.BEA MMZ1608B 301CT-AS	B	4.2/135.7
EP920	6910015970	S.BEA MMZ1608B 301CT-AS	T	2.2/107.5
EP921	6910014730	S.BEA MPZ2012S331A-T	T	20.9/142
EP931	6910015970	S.BEA MMZ1608B 301CT-AS	T	52.6/141.2
EP932	6910015970	S.BEA MMZ1608B 301CT-AS	T	53.3/150.8
EP933	6910015970	S.BEA MMZ1608B 301CT-AS	T	59.6/140.9
EP934	6910014730	S.BEA MPZ2012S331A-T	T	56.6/140.7
EP941	6910015970	S.BEA MMZ1608B 301CT-AS	T	73.6/140.9
EP942	6910015970	S.BEA MMZ1608B 301CT-AS	T	74.9/140.9
EP943	6910015970	S.BEA MMZ1608B 301CT-AS	T	76.2/140.9
EP944	6910015970	S.BEA MMZ1608B 301CT-AS	T	77.5/140.9
EP945	6910014730	S.BEA MPZ2012S331A-T	T	81.6/140.9
EP951	6910014730	S.BEA MPZ2012S331A-T	T	99.1/140.1
EP952	6910014730	S.BEA MPZ2012S331A-T	T	95.3/140.1
EP961	6910015970	S.BEA MMZ1608B 301CT-AS	T	177.4/19.1
EP963	6910014730	S.BEA MPZ2012S331A-T	T	179.2/26.7
EP964	6910014730	S.BEA MPZ2012S331A-T	T	179.2/28.4
EP965	6910014730	S.BEA MPZ2012S331A-T	T	179.3/30.2
EP971	6910015970	S.BEA MMZ1608B 301CT-AS	T	180.7/133
EP972	6910015970	S.BEA MMZ1608B 301CT-AS	T	180.7/131
EP973	6910015970	S.BEA MMZ1608B 301CT-AS	T	183.2/130
EP974	6910015970	S.BEA MMZ1608B 301CT-AS	T	180.7/129
EP975	6910014730	S.BEA MPZ2012S331A-T	T	181.8/135.6
EP976	6910015970	S.BEA MMZ1608B 301CT-AS	T	183.2/128
EP981	6910015970	S.BEA MMZ1608B 301CT-AS	T	36/140.9
EP982	6910015970	S.BEA MMZ1608B 301CT-AS	T	34.7/140.9
EP983	6910014730	S.BEA MPZ2012S331A-T	T	38.2/140.5
EP984	6910014730	S.BEA MPZ2012S331A-T	T	31.2/140.5
EP991	6910015970	S.BEA MMZ1608B 301CT-AS	T	37.8/8.3
EP992	6910014730	S.BEA MPZ2012S331A-T	T	39.8/8.7
EP1051	6910014730	S.BEA MPZ2012S331A-T	T	124.8/9.9
EP1052	6910014730	S.BEA MPZ2012S331A-T	T	58.7/10.2
EP1053	6910014730	S.BEA MPZ2012S331A-T	T	55.8/10.2
EP1054	6910014730	S.BEA MPZ2012S331A-T	T	22.8/19
EP1055	6910014730	S.BEA MPZ2012S331A-T	T	19.3/13
EP1056	6910014730	S.BEA MPZ2012S331A-T	B	22.7/19.4
EP1101	6910013310	S.BEA MMZ1608D121B	T	13.3/29.8
EP1102	6910013310	S.BEA MMZ1608D121B	T	10.5/30.5
EP1103	6910013310	S.BEA MMZ1608D121B	T	13.3/31.2
EP1104	6910013310	S.BEA MMZ1608D121B	T	10.5/31.9

[LOGIC UNIT]

REF NO.	ORDER NO.	DESCRIPTION	M.	H/V LOCATION
EP1105	6910013310	S.BEA MMZ1608D121B	T	13.3/32.6
EP1106	6910013310	S.BEA MMZ1608D121B	T	10.5/33.3
EP1107	6910013310	S.BEA MMZ1608D121B	T	13.3/34
EP1108	6910013310	S.BEA MMZ1608D121B	T	10.5/34.7
EP1109	6910013310	S.BEA MMZ1608D121B	T	13.3/35.4
EP1110	6910013310	S.BEA MMZ1608D121B	T	10.5/36.1
EP1111	6910013310	S.BEA MMZ1608D121B	T	13.3/36.8
EP1112	6910013310	S.BEA MMZ1608D121B	T	10.5/37.5
EP1113	6910013310	S.BEA MMZ1608D121B	T	13.3/38.2
EP1114	6910013310	S.BEA MMZ1608D121B	T	10.5/38.9
EP1115	6910013310	S.BEA MMZ1608D121B	T	13.3/39.6
EP1116	6910013310	S.BEA MMZ1608D121B	T	10.5/40.3
EP1117	6910013310	S.BEA MMZ1608D121B	T	13.3/41
EP1118	6910013310	S.BEA MMZ1608D121B	T	10.5/41.7
EP1119	6910013310	S.BEA MMZ1608D121B	T	13.3/42.4
EP1120	6910013310	S.BEA MMZ1608D121B	T	10.5/43.1
EP1121	6910013310	S.BEA MMZ1608D121B	T	13.3/43.8
EP1122	6910013310	S.BEA MMZ1608D121B	T	10.5/44.5
EP1123	6910013310	S.BEA MMZ1608D121B	T	13.3/45.2
EP1124	6910013310	S.BEA MMZ1608D121B	T	10.5/47.2
EP1125	6910013310	S.BEA MMZ1608D121B	T	13.3/47.9
EP1126	6910013310	S.BEA MMZ1608D121B	T	10.5/48.6
EP1127	6910013310	S.BEA MMZ1608D121B	T	13.3/49.3
EP1128	6910013310	S.BEA MMZ1608D121B	T	10.5/50
EP1129	6910013310	S.BEA MMZ1608D121B	T	13.3/50.7
EP1130	6910013310	S.BEA MMZ1608D121B	T	10.5/51.4
EP1131	6910013310	S.BEA MMZ1608D121B	T	13.3/52.1
EP1132	6910013310	S.BEA MMZ1608D121B	T	10.5/52.8
EP1133	6910013310	S.BEA MMZ1608D121B	T	13.3/53.5
EP1134	6910013310	S.BEA MMZ1608D121B	T	10.5/54.2
EP1135	6910013310	S.BEA MMZ1608D121B	T	13.3/54.9
EP1136	6910013310	S.BEA MMZ1608D121B	T	10.5/55.6
EP1137	6910013310	S.BEA MMZ1608D121B	T	13.3/56.3
EP1138	6910013310	S.BEA MMZ1608D121B	T	10.5/57
EP1139	6910013310	S.BEA MMZ1608D121B	T	13.3/57.7
EP1140	6910013310	S.BEA MMZ1608D121B	T	10.5/58.4
EP1141	6910013310	S.BEA MMZ1608D121B	T	13.3/59.1
EP1142	6910013310	S.BEA MMZ1608D121B	T	10.5/59.8
EP1143	6910013310	S.BEA MMZ1608D121B	T	13.3/60.5
EP1144	6910013310	S.BEA MMZ1608D121B	T	10.5/61.2
EP1145	6910013310	S.BEA MMZ1608D121B	T	13.3/61.9
EP1146	6910013310	S.BEA MMZ1608D121B	T	10.5/62.6
EP1147	6910014730	S.BEA MPZ2012S331A-T	T	22.5/45.8
EP1149	6910014730	S.BEA MPZ2012S331A-T	T	39.6/19.8
EP1263	6910015970	S.BEA MMZ1608B 301CT-AS	T	36.2/19.4
EP1273	6910015970	S.BEA MMZ1608B 301CT-AS	T	38.1/19.4

M.=Mounted side (T: Mounted on the Top side B: Mounted on the Bottom side)
S.=Surface mount

[MAIN UNIT]

REF NO.	ORDER NO.	DESCRIPTION	M.	H/V LOCATION
IC101	1180000720	S.IC AN79L05M-(E1)	B	73.8/9.7
IC201	1130013370	S.IC HD74LV2GT34AUSE-E	T	56.5/48
IC202	1130006891	S.IC TC7S04FU (TE85R,F)	T	51.6/46
IC203	1140007881	S.IC TC190G08EFG0046JDZ/SC1246A	T	59.1/34.4
IC1002	1130012610	S.IC SN74AHC1GU04DCKR	T	92.9/59.5
IC1004	1130012600	S.IC SN74AHC1G04DCKR	T	92.7/63.3
IC1005	1140012211	S.IC TMS320C6713BZDP225	B	75.4/76.6
IC1006	1130013740	S.IC AT29LV040A-15TU (RX-2844D)	T	54/77.6
IC1076	1110006411	S.IC R3111N111A-TR-F	T	76.8/91.6
IC1301	1130013110	S.IC KIC7W53FK-RTK/P	B	101.6/16.6
IC1302	1110006100	S.IC NJM5534MD-TE1-#ZZZB	B	110.5/10.5
IC1304	1110006100	S.IC NJM5534MD-TE1-#ZZZB	B	101.2/26.5
IC1305	1110006100	S.IC NJM5534MD-TE1-#ZZZB	B	112.5/26.7
IC1331	1110005100	S.IC NJM072BM-TE1-#ZZZB	B	123/14.3
IC1332	1130013110	S.IC KIC7W53FK-RTK/P	B	122.5/23.2
IC1351	1110006111	S.IC AK5394AVSP/P	B	103.3/42.1
IC1353	1130006891	S.IC TC7S04FU (TE85R,F)	B	71.4/50.5
IC1355	1130012610	S.IC SN74AHC1GU04DCKR	B	71.4/46.1
IC1401	1130012580	S.IC AK4355-VF-E2	B	83.1/50.1
IC1421	1110005420	S.IC BA15532F-E2	B	79.9/30.0
IC1471	1110005420	S.IC BA15532F-E2	B	90.1/30.0
IC1601	1180002650	S.REG SI-3012KS-TL	B	64.9/95
IC2001	1180002650	S.REG SI-3012KS-TL	B	121.3/95.3
IC2051	1180003030	S.REG S-812C25AUA-C2FT2G	B	126.2/38.2
IC2201	1110006580	S.IC AD8007AKSZ	T	121.6/42
IC2301	1190002031	S.IC AD7650AOSTZ	B	118.5/53
IC2302	1130006891	S.IC TC7S04FU (TE85R,F)	B	125.4/52.5
IC2351	1130008041	S.IC TC7SH04FU (TE85L,JF)	B	125.3/49.8
IC2402	1110006411	S.IC R3111N111A-TR-F	T	105.8/61.8
IC2403	1140012221	S.IC TMS320C6711DZDP200	B	119.5/76.5
IC2404	1130013730	S.IC AT49BV040B-TU (RX-2844E)	T	98/77.7
IC2451	1130011930	S.IC SN74LV1C1G04DCKR	T	132/59.2
IC2452	1130011930	S.IC SN74LV1C1G04DCKR	T	132.1/55.4
IC3101	1140007881	S.IC TC190G08EFG0046JDZ/SC1246A	T	33/35.5
IC3131	1130006891	S.IC TC7S04FU (TE85R,F)	T	40.7/24.4
IC3221	1110003201	S.IC TA31136FNG (EL)	T	10.1/41
IC3222	1120002830	S.IC NJM2125F-TE1-#FZZB	T	18.7/48.6
IC3251	1130012850	S.IC SN74LV1C3G34DCUR	T	40/95
IC3271	1110005610	S.IC NJM2058V-TE1-#ZZZB	B	13/71.1
IC3321	1130013110	S.IC KIC7W53FK-RTK/P	B	84.1/17.1
IC3322	1130013110	S.IC KIC7W53FK-RTK/P	B	92.5/17.1
IC3323	1130013110	S.IC KIC7W53FK-RTK/P	B	76.9/17.1
IC3324	1130013370	S.IC HD74LV2GT34AUSE-E	T	35.5/22
Q201	1590003520	S.TR BCR108T	B	68/37.1
Q1001	1590003520	S.TR BCR108T	B	90.2/56.5
Q3141	1590003520	S.TR BCR108T	B	23.3/34.7
Q3221	1510000510	S.TR 2SA1576A T106R	T	17.4/55.5
Q3321	1590003520	S.TR BCR108T	B	81.6/18.5
Q3322	1590003520	S.TR BCR108T	B	90/18.5
Q3323	1590003520	S.TR BCR108T	B	74.4/18.5
D1602	1710000840	S.DIO 1SR154-400 TE25	B	59.2/95
D2001	1710000840	S.DIO 1SR154-400 TE25	B	115.5/95.3
FI1001	2040000790	S.LC EXCCET103U	B	90.5/73.3
FI2401	2040000790	S.LC EXCCET103U	B	127.5/59.2
FI3201	2020001810	S.CER SFCEV10M7FA00-R0	T	11/27.7
FI3221	2020002250	CER LT450EW <JJE>		
X1001	6050011660	S.XTL CR-754 (30.000 MHz)	B	94.3/60.7
L201	6200001831	S.COL NLV32T-100J	B	62.8/43.7
L301	6200003711	S.COL NLV25T-2R7J	B	68.1/22.3
L302	6200002981	S.COL NLV32T-R56J	B	73.7/26.2
L303	6200003041	S.COL NLV32T-R68J	B	72.7/31.3
L304	6200003051	S.COL NLV32T-R82J	B	70.7/37.6
L1001	6180003501	S.COL SLF6028T-100M1R3-PF	T	71.8/95
L2301	6200001831	S.COL NLV32T-100J	T	109.9/56.2
L2302	6200001831	S.COL NLV32T-100J	T	114.6/45.4
L2481	6180003501	S.COL SLF6028T-100M1R3-PF	T	124.5/94
L2482	6200001831	S.COL NLV32T-100J	B	99.3/58.8
L3101	6200001831	S.COL NLV32T-100J	B	29.1/25.5
L3151	6200003091	S.COL NLV32T-2R7J	B	20.7/50
L3152	6200003061	S.COL NLV32T-1R2J	B	21.6/38
L3153	6200003061	S.COL NLV32T-1R2J	B	19.8/34.6
L3201	6200010970	S.COL C2520C-1R8G-A (1.8U)	T	11/21.8
L3221	6200002041	S.COL NLV25T-101J	T	17.3/39.8
L3222	6200003151	S.COL NLV32T-180J	T	9.2/33.5
R1	7030003370	S.RES ERJ3GEYJ 271 V (270)	B	53.2/17.5
R2	7030003230	S.RES ERJ3GEYJ 180 V (18)	B	53.8/19.4
R3	7030003370	S.RES ERJ3GEYJ 271 V (270)	B	54.6/17.5
R21	7030003860	S.RES ERJ3GE JPW V	T	103.6/26.6
R41	7030003860	S.RES ERJ3GE JPW V	B	89.7/9.4
R42	7030003860	S.RES ERJ3GE JPW V	B	85.8/9.3
R61	7030003320	S.RES ERJ3GEYJ 101 V (100)	T	110.7/93.1
R62	7030003320	S.RES ERJ3GEYJ 101 V (100)	T	110.7/93.1
R63	7030003320	S.RES ERJ3GEYJ 101 V (100)	T	108/91.2
R64	7030003320	S.RES ERJ3GEYJ 101 V (100)	T	106.7/91.2
R65	7030003320	S.RES ERJ3GEYJ 101 V (100)	T	105.4/91.2
R66	7030003320	S.RES ERJ3GEYJ 101 V (100)	T	104.1/91.2
R67	7030003320	S.RES ERJ3GEYJ 101 V (100)	T	102.8/91.2
R68	7030003320	S.RES ERJ3GEYJ 101 V (100)	T	101.5/91.2
R69	7030003320	S.RES ERJ3GEYJ 101 V (100)	T	100.2/91.2
R70	7030003320	S.RES ERJ3GEYJ 101 V (100)	T	98.9/91.2
R71	7030003320	S.RES ERJ3GEYJ 101 V (100)	T	97.6/91.2
R72	7030003320	S.RES ERJ3GEYJ 101 V (100)	T	96.3/91.2
R73	7030003320	S.RES ERJ3GEYJ 101 V (100)	T	95/91.2
R74	7030003860	S.RES ERJ3GE JPW V	T	93.7/91.2
R75	7030003320	S.RES ERJ3GEYJ 101 V (100)	B	108.8/96.3
R76	7030003320	S.RES ERJ3GEYJ 101 V (100)	B	107.5/96.3
R77	7030003320	S.RES ERJ3GEYJ 101 V (100)	B	106.2/96.3
R78	7030003320	S.RES ERJ3GEYJ 101 V (100)	B	104.9/96.3
R79	7030003320	S.RES ERJ3GEYJ 101 V (100)	B	103.6/96.3
R80	7030003320	S.RES ERJ3GEYJ 101 V (100)	B	102.3/96.3
R81	7030003320	S.RES ERJ3GEYJ 101 V (100)	B	101/96.3
R82	7030003320	S.RES ERJ3GEYJ 101 V (100)	B	99.7/96.3
R83	7030003320	S.RES ERJ3GEYJ 101 V (100)	B	98.4/96.3
R84	7030003320	S.RES ERJ3GEYJ 101 V (100)	B	97.1/96.3
R85	7030003320	S.RES ERJ3GEYJ 101 V (100)	B	95.8/96.3
R86	7030003860	S.RES ERJ3GE JPW V	B	94.5/96.3
R87	7030003860	S.RES ERJ3GE JPW V	B	93.2/96.3
R91	7030003860	S.RES ERJ3GE JPW V	T	117.5/38.5
R201	7030003320	S.RES ERJ3GEYJ 101 V (100)	B	48.1/36.6
R202	7030003800	S.RES ERJ3GEYJ 105 V (1 M)	B	52.3/44.2
R203	7030003440	S.RES ERJ3GEYJ 102 V (1 k)	B	65.4/35.7
R204	7030003360	S.RES ERJ3GEYJ 221 V (220)	B	57.9/43.5
R205	7030003440	S.RES ERJ3GEYJ 102 V (1 k)	B	56.6/43.5
R206	7030003440	S.RES ERJ3GEYJ 102 V (1 k)	B	55.3/43.5
R207	7030003520	S.RES ERJ3GEYJ 472 V (4.7 k)	B	64.7/33.1
R208	7030007220	S.RES ERA3YED 202V (2 k)	T	51.7/20.8
R209	7030007220	S.RES ERA3YED 202V (2 k)	T	51.7/23.4
R210	7030007220	S.RES ERA3YED 202V (2 k)	T	53/23.4
R211	7030007230	S.RES ERA3YED 101 V (1 k)	T	53/20.8
R212	7030007220	S.RES ERA3YED 202V (2 k)	T	54.3/23.4
R213	7030007230	S.RES ERA3YED 102V (1 k)	T	54.3/20.8
R214	7030007220	S.RES ERA3YED 202V (2 k)	T	55.6/23.4
R215	7030007230	S.RES ERA3YED 102V (1 k)	T	55.6/20.8
R216	7030007220	S.RES ERA3YED 202V (2 k)	T	56.9/23.4
R217	7030007230	S.RES ERA3YED 102V (1 k)	T	56.9/20.8
R218	7030007220	S.RES ERA3YED 202V (2 k)	T	58.2/23.4
R219	7030007230	S.RES ERA3YED 102V (1 k)	T	58.2/20.8
R220	7030007220	S.RES ERA3YED 202V (2 k)	T	59.5/23.4
R221	7030007230	S.RES ERA3YED 101 V (1 k)	T	59.5/20.8
R222	7030007200	S.RES ERA3YEB 202V (2 k)	T	60.8/23.4
R223	7030007210	S.RES ERA3YEB 102V (1 k)	T	60.8/20.8
R224	7030007200	S.RES ERA3YEB 202V (2 k)	T	62.1/23.4
R225	7030007210	S.RES ERA3YEB 102V (1 k)	T	62.1/20.8
R226	7030007200	S.RES ERA3YEB 202V (2 k)	T	63.4/23.4
R227	7030007210	S.RES ERA3YEB 102V (1 k)	T	63.4/20.8
R228	7030007200	S.RES ERA3YEB 202V (2 k)	T	64.7/23.4
R229	7030007210	S.RES ERA3YEB 102V (1 k)	T	64.7/20.8
R230	7030007200	S.RES ERA3YEB 202V (2 k)	T	66/23.4
R231	7030007210	S.RES ERA3YEB 102V (1 k)	T	66/20.8
R301	7030003370	S.RES ERJ3GEYJ 271 V (270)	B	72.7/40.7
R302	7030003230	S.RES ERJ3GEYJ 180 V (18)	B	73.9/40.6
R303	7030003370	S.RES ERJ3GEYJ 271 V (270)	B	73.2/42.6
R1001	7030003320	S.RES ERJ3GEYJ 101 V (100)	T	90.7/57.9
R1002	7030003800	S.RES ERJ3GEYJ 105 V (1 M)	T	94.9/60.4
R1003	7030003320	S.RES ERJ3GEYJ 101 V (100)	T	90.5/61.3
R1006	7030003560	S.RES ERJ3GEYJ 103 V (10 k)	T	82.6/80.6
R1007	7030003560	S.RES ERJ3GEYJ 103 V (10 k)	T	89.2/83.5
R1008	7030003440	S.RES ERJ3GEYJ 102 V (1 k)	T	85.5/90.4
R1009	7030003640	S.RES ERJ3GEYJ 473 V (47 k)	B	84.4/91.2
R1010	7030003860	S.RES ERJ3GE JPW V	T	79.3/89.9
R1011	7030003560	S.RES ERJ3GEYJ 103 V (10 k)	T	82.6/78
R1012	7030003560	S.RES ERJ3GEYJ 103 V (10 k)	T	72.7/69.5
R1013	7030003560	S.RES ERJ3GEYJ 103 V (10 k)	T	70.6/61.6
R1014	7030003560	S.RES ERJ3GEYJ 103 V (10 k)	T	74/69.5
R1015	7030003560	S.RES ERJ3GEYJ 103 V (10 k)	T	83.1/61.6
R1100	7030004040	S.RES ERJ3GEYJ 4R7 V (4.7)	T	53.1/57.9
R1101	7030003520	S.RES ERJ3GEYJ 472 V (4.7 k)	T	67.6/57.1
R1104	7030003520	S.RES ERJ3GEYJ 472 V (4.7 k)	T	67.5/55.2
R1303	7030003640	S.RES ERJ3GEYJ 473 V (47 k)	B	104.4/16.6
R1304	7030009591	S.RES ERA3YED 472V (4.7 k)	B	103.4/13.2
R1305	7030009591	S.RES ERA3YED 472V (4.7 k)	B	110.4/14.1
R1306	7030003320	S.RES ERJ3GEYJ 101 V (100)	B	106.6/13.6
R1307	7030003320	S.RES ERJ3GEYJ 101 V (100)	B	112.4/7
R1308	7030003860	S.RES ERJ3GE JPW V	B	110.4/16.2
R1309	7030006601	S.RES ERA3YED 272V (2.7 k)	B	96.4/24.2
R1310	7030006601	S.RES ERA3YED 272V (2.7 k)	B	107.7/24.6
R1311	7030009591	S.RES ERA3YED 472V (4.7 k)	B	117.2/25.2
R1312	7030009591	S.RES ERA3YED 472V (4.7 k)	B	116/22.4
R1313	7030010390	S.RES ERA3YED 821V (820)	B	96.4/26.9
R1314	7030010390	S.RES ERA3YED 821V (820)	B	107.7/27.3
R1315	7030003320	S.RES ERJ3GEYJ 101 V (100)	B	99.4/21
R1316	7030003320	S.RES ERJ3GEYJ 101 V (100)	B	110.6/21.1
R1317	7030003320	S.RES ERJ3GEYJ 101 V (100)	B	105.9/27.4
R1318	7030003320	S.RES ERJ3GEYJ 101 V (100)	B	117.2/27.9
R1319	7030009691	S.RES ERA3YED 101V (100)	B	96.4/29.6
R1320	7030009691	S.RES ERA3YED 101V (100)	B	107.7/30.1
R1331	7030005871	S.RES ERA3YKD 104V (100 k)	B	115.8/15.7
R1332	7030005871	S.RES ERA3YKD 104V (100 k)	B	118.2/15.7
R1333	7030005321	S.RES ERA3YED 103V (10 k)	B	120.9/19.7
R1334	7030009691	S.RES ERA3YED 101V (100)	B	122.1/19.7
R1335	7030005631	S.RES ERA3YKD 154V (150 k)	B	128.6/16
R1336	7030005681	S.RES ERA3YKD 473V (47 k)	B	128.6/18.4
R1337	7030005871	S.RES ERA3YKD 104V (100 k)	B	128.6/14.8
R1338	7030005871	S.RES ERA3YKD 104V (100 k)	B	124.6/19.7
R1339	7030009691	S.RES ERA3YED 101V (100)	B	123.4/19.7

[MAIN UNIT]

REF NO.	ORDER NO.	DESCRIPTION	M.	H/V LOCATION
R1362	7030003800	S.RES ERJ3GEYJ 105 V (1 M)	B	73.3/46.2
R1401	7030003320	S.RES ERJ3GEYJ 101 V (100)	B	76.8/48.8
R1402	7030003860	S.RES ERJ3GE JPW V	B	74.3/48.9
R1421	7030009591	S.RES ERA3YED 472V (4.7 k)	B	78.9/42.4
R1422	7030009961	S.RES ERA3YED 221V (220)	B	77.5/36.9
R1423	7030009591	S.RES ERA3YED 472V (4.7 k)	B	77.5/42.4
R1424	7030009591	S.RES ERA3YED 472V (4.7 k)	B	76.2/42.3
R1425	7030009961	S.RES ERA3YED 221V (220)	B	76.2/36.9
R1426	7030009591	S.RES ERA3YED 472V (4.7 k)	B	78.9/36.9
R1431	7030003320	S.RES ERJ3GEYJ 101 V (100)	T	76.2/29.5
R1433	7030003320	S.RES ERJ3GEYJ 101 V (100)	T	83.5/30.2
R1441	7030009691	S.RES ERA3YED 101V (100)	B	78.9/26.5
R1451	7030005321	S.RES ERA3YED 103V (10 k)	B	83.5/42.2
R1452	7030007661	S.RES ERA3YED 331V (330)	B	82.1/38.3
R1453	7030005321	S.RES ERA3YED 103V (10 k)	B	82/42.2
R1454	7030005341	S.RES ERA3YED 332V (3.3 k)	B	80.8/40
R1455	7030007661	S.RES ERA3YED 331V (330)	B	80.8/37.1
R1456	7030005341	S.RES ERA3YED 332V (3.3 k)	B	83.5/38.3
R1457	7030006461	S.RES ERA3YED 152V (1.5 k)	T	75.7/43.5
R1458	7030006521	S.RES ERA3YED 561V (560)	T	75.7/40.9
R1471	7030009591	S.RES ERA3YED 472V (4.7 k)	B	89.5/43.5
R1472	7030009961	S.RES ERA3YED 221V (220)	B	91.1/37.8
R1473	7030009591	S.RES ERA3YED 472V (4.7 k)	B	90.8/43.5
R1474	7030009591	S.RES ERA3YED 472V (4.7 k)	B	92.1/42.3
R1475	7030009961	S.RES ERA3YED 221V (220)	B	92.4/37.8
R1476	7030009591	S.RES ERA3YED 472V (4.7 k)	B	89.8/37.8
R1477	7030009691	S.RES ERA3YED 101V (100)	B	90.8/25.8
R1478	7030003320	S.RES ERJ3GEYJ 101 V (100)	T	86.1/30.2
R1479	7030003320	S.RES ERJ3GEYJ 101 V (100)	T	92.1/22.9
R1491	7030005321	S.RES ERA3YED 103V (10 k)	B	87.8/42.2
R1492	7030009961	S.RES ERA3YED 221V (220)	B	86.6/37.8
R1493	7030005321	S.RES ERA3YED 103V (10 k)	B	86.4/42.2
R1494	7030008061	S.RES ERA3YED 222V (2.2 k)	B	85.2/42.2
R1495	7030009961	S.RES ERA3YED 221V (220)	B	85.4/37.8
R1496	7030008061	S.RES ERA3YED 222V (2.2 k)	B	87.8/37.8
R1497	7030009691	S.RES ERA3YED 101V (100)	B	88.2/25.8
R1601	7030003600	S.RES ERJ3GEYJ 223 V (22 k)	B	68.4/97.8
R2001	7030003600	S.RES ERJ3GEYJ 223 V (22 k)	B	124.8/98
R2102	7030003860	S.RES ERJ3GE JPW V	T	98.7/63.2
R2201	7030003200	S.RES ERJ3GEYJ 100 V (10)	T	120/38.8
R2202	7030003200	S.RES ERJ3GEYJ 100 V (10)	T	124.2/41.1
R2203	7030010600	S.RES ERA3YHD 150V (15)	B	119.3/44.5
R2204	7030006521	S.RES ERA3YED 561V (560)	B	120.1/42.3
R2205	7030008061	S.RES ERA3YED 222V (2.2 k)	T	118.3/40.4
R2206	7030005451	S.RES ERA3YED 153V (15 k)	T	118.8/41.7
R2207	7030005321	S.RES ERA3YED 103V (10 k)	T	118.8/42.9
R2301	7030003560	S.RES ERJ3GEYJ 103 V (10 k)	B	112.6/55
R2302	7030003320	S.RES ERJ3GEYJ 101 V (100)	T	118.5/53
R2303	7030003560	S.RES ERJ3GEYJ 103 V (10 k)	B	113.4/58.3
R2304	7030003560	S.RES ERJ3GEYJ 103 V (10 k)	B	117.1/60.6
R2305	7030003560	S.RES ERJ3GEYJ 103 V (10 k)	B	113.4/57
R2306	7030003560	S.RES ERJ3GEYJ 103 V (10 k)	B	117.1/59.3
R2307	7030003320	S.RES ERJ3GEYJ 101 V (100)	B	125.3/55.7
R2401	7030003280	S.RES ERJ3GEYJ 470 V (47)	T	125.1/61.5
R2402	7030003560	S.RES ERJ3GEYJ 103 V (10 k)	T	123.5/69.4
R2403	7030003280	S.RES ERJ3GEYJ 470 V (47)	T	122.5/61.5
R2404	7030003560	S.RES ERJ3GEYJ 103 V (10 k)	T	127.8/61.5
R2405	7030003560	S.RES ERJ3GEYJ 103 V (10 k)	T	118.1/69.9
R2406	7030003560	S.RES ERJ3GEYJ 103 V (10 k)	B	105/70.5
R2408	7030003560	S.RES ERJ3GEYJ 103 V (10 k)	T	115.7/69.4
R2409	7030003860	S.RES ERJ3GE JPW V	T	122.7/88.9
R2410	7030003560	S.RES ERJ3GEYJ 103 V (10 k)	T	115.3/62.8
R2411	7030003440	S.RES ERJ3GEYJ 102 V (1 k)	T	129/88.9
R2412	7030003440	S.RES ERJ3GEYJ 102 V (1 k)	T	129.4/90.2
R2413	7030003440	S.RES ERJ3GEYJ 102 V (1 k)	T	134.5/84.1
R2414	7030003440	S.RES ERJ3GEYJ 102 V (1 k)	T	126.6/81.8
R2415	7030003440	S.RES ERJ3GEYJ 102 V (1 k)	T	126.6/77.9
R2416	7030003560	S.RES ERJ3GEYJ 103 V (10 k)	T	105.7/83.3
R2417	7030003560	S.RES ERJ3GEYJ 103 V (10 k)	T	105.7/86.8
R2418	7030003520	S.RES ERJ3GEYJ 472 V (4.7 k)	T	126.5/74
R2419	7030003520	S.RES ERJ3GEYJ 472 V (4.7 k)	T	133.2/73.7
R2420	7030003440	S.RES ERJ3GEYJ 102 V (1 k)	T	134.5/65
R2421	7030003860	S.RES ERJ3GE JPW V	T	131.1/61.5
R2422	7030004040	S.RES ERJ3GEYJ 4R7 V (4.7)	T	128.7/37
R2451	7030004040	S.RES ERJ3GEYJ 4R7 V (4.7)	T	129.8/58.1
R2452	7030003800	S.RES ERJ3GEYJ 105 V (1 M)	T	134.4/58.6
R2453	7030004040	S.RES ERJ3GEYJ 4R7 V (4.7)	T	129.8/54.6
R2454	7030003320	S.RES ERJ3GEYJ 101 V (100)	T	134.4/55.3
R3097	7030007200	S.RES ERA3YEB 202V (2 k)	T	25.8/46.5
R3098	7030007210	S.RES ERA3YEB 102V (1 k)	T	25.8/49.1
R3099	7030007200	S.RES ERA3YEB 202V (2 k)	T	27.1/46.5
R3100	7030007210	S.RES ERA3YEB 102V (1 k)	T	27.1/49.1
R3101	7030007200	S.RES ERA3YEB 202V (2 k)	T	28.4/46.5
R3102	7030007210	S.RES ERA3YEB 102V (1 k)	T	28.4/49.1
R3103	7030007200	S.RES ERA3YEB 202V (2 k)	T	29.7/46.5
R3104	7030007210	S.RES ERA3YEB 102V (1 k)	T	29.7/49.1
R3105	7030007200	S.RES ERA3YEB 202V (2 k)	T	31/46.5
R3106	7030007210	S.RES ERA3YEB 102V (1 k)	T	31/49.1
R3107	7030007220	S.RES ERA3YED 202V (2 k)	T	32.3/46.5
R3108	7030007230	S.RES ERA3YED 102V (1 k)	T	32.3/49.1
R3109	7030007220	S.RES ERA3YED 202V (2 k)	T	33.6/46.5
R3110	7030007230	S.RES ERA3YED 102V (1 k)	T	33.6/49.1
R3111	7030007220	S.RES ERA3YED 202V (2 k)	T	34.9/46.5
R3112	7030007230	S.RES ERA3YED 102V (1 k)	T	34.9/49.1
R3113	7030007220	S.RES ERA3YED 202V (2 k)	T	36.2/46.5
R3114	7030007230	S.RES ERA3YED 102V (1 k)	T	36.2/49.1
R3115	7030007220	S.RES ERA3YED 202V (2 k)	T	37.5/46.5
R3116	7030007230	S.RES ERA3YED 102V (1 k)	T	37.5/49.1
R3117	7030007220	S.RES ERA3YED 202V (2 k)	T	38.8/46.5
R3118	7030007230	S.RES ERA3YED 102V (1 k)	T	38.8/49.1
R3119	7030007220	S.RES ERA3YED 202V (2 k)	T	40.1/46.5
R3120	7030007220	S.RES ERA3YED 202V (2 k)	T	40.1/49.1
R3121	7030003520	S.RES ERJ3GEYJ 472 V (4.7 k)	B	25.7/34.3
R3131	7030003800	S.RES ERJ3GEYJ 105 V (1 M)	B	39.9/33.4

[MAIN UNIT]

REF NO.	ORDER NO.	DESCRIPTION	M.	H/V LOCATION
R3132	7030003320	S.RES ERJ3GEYJ 101 V (100)	B	44.4/32
R3141	7030003440	S.RES ERJ3GEYJ 102 V (1 k)	B	24.9/36.2
R3142	7030003660	S.RES ERJ3GEYJ 271 V (270)	B	37.9/27.2
R3143	7030003440	S.RES ERJ3GEYJ 102 V (1 k)	B	39.4/26.4
R3144	7030003440	S.RES ERJ3GEYJ 102 V (1 k)	B	36.3/26.4
R3151	7030003370	S.RES ERJ3GEYJ 271 V (270)	B	19.8/46.5
R3152	7030003230	S.RES ERJ3GEYJ 180 V (18)	B	17.7/45.8
R3153	7030003370	S.RES ERJ3GEYJ 271 V (270)	B	19.8/45.1
R3201	7030003370	S.RES ERJ3GEYJ 271 V (270)	T	9.1/17.4
R3202	7030003230	S.RES ERJ3GEYJ 180 V (18)	T	11.1/18.2
R3203	7030003370	S.RES ERJ3GEYJ 271 V (270)	T	9.1/18.9
R3221	7030003280	S.RES ERJ3GEYJ 470 V (47)	B	13/34.4
R3222	7030003440	S.RES ERJ3GEYJ 102 V (1 k)	T	15.4/40.1
R3227	7030003860	S.RES ERJ3GE JPW V	T	19.7/54.1
R3228	7030003320	S.RES ERJ3GEYJ 101 V (100)	T	17.5/58.8
R3229	7030003440	S.RES ERJ3GEYJ 102 V (1 k)	T	19.7/56.9
R3231	7030003650	S.RES ERJ3GEYJ 563 V (56 k)	T	21.1/48.6
R3232	7030003860	S.RES ERJ3GE JPW V	T	16.4/46.7
R3233	7030003360	S.RES ERJ3GEYJ 221 V (220)	T	20.5/51.1
R3251	7030003640	S.RES ERJ3GEYJ 473 V (47 k)	T	44.9/79
R3252	7030003680	S.RES ERJ3GEYJ 104 V (100 k)	T	44.9/82.4
R3253	7030003680	S.RES ERJ3GEYJ 104 V (100 k)	T	44.9/80.4
R3254	7030003680	S.RES ERJ3GEYJ 104 V (100 k)	T	44.9/75.8
R3255	7030003360	S.RES ERJ3GEYJ 221 V (220)	B	20/90
R3256	7030003360	S.RES ERJ3GEYJ 221 V (220)	B	21.3/90
R3257	7030003360	S.RES ERJ3GEYJ 221 V (220)	B	22.6/90
R3258	7030003360	S.RES ERJ3GEYJ 221 V (220)	B	23.9/90
R3259	7030003360	S.RES ERJ3GEYJ 221 V (220)	B	25.2/90
R3260	7030003360	S.RES ERJ3GEYJ 221 V (220)	B	26.5/90
R3261	7030003360	S.RES ERJ3GEYJ 221 V (220)	B	27.8/90
R3262	7030003360	S.RES ERJ3GEYJ 221 V (220)	B	29.1/90
R3263	7030003360	S.RES ERJ3GEYJ 221 V (220)	B	30.4/90
R3264	7030003360	S.RES ERJ3GEYJ 221 V (220)	B	31.7/90
R3265	7030003360	S.RES ERJ3GEYJ 221 V (220)	B	33/90
R3271	7030003320	S.RES ERJ3GEYJ 101 V (100)	B	15/66.3
R3272	7030003320	S.RES ERJ3GEYJ 101 V (100)	B	11.1/66.3
R3281	7030003860	S.RES ERJ3GE JPW V	B	25.2/75.9
R3282	7030003630	S.RES ERJ3GEYJ 393 V (39 k)	B	24.4/72.4
R3283	7030003580	S.RES ERJ3GEYJ 153 V (15 k)	B	17.1/75.9
R3284	7030003730	S.RES ERJ3GEYJ 274 V (270 k)	B	19.5/71.8
R3285	7030003730	S.RES ERJ3GEYJ 274 V (270 k)	B	17.8/73.8
R3291	7030003560	S.RES ERJ3GEYJ 103 V (10 k)	B	5.6/75.3
R3292	7030003650	S.RES ERJ3GEYJ 563 V (56 k)	B	6.9/75.3
R3293	7030003650	S.RES ERJ3GEYJ 563 V (56 k)	B	7.6/73.1
R3294	7030003520	S.RES ERJ3GEYJ 472 V (4.7 k)	B	7.6/71.8
R3295	7030003320	S.RES ERJ3GEYJ 101 V (100)	B	9.5/75.3
R3301	7030003560	S.RES ERJ3GEYJ 103 V (10 k)	B	5.6/67
R3302	7030003680	S.RES ERJ3GEYJ 104 V (100 k)	B	6.9/67
R3303	7030003860	S.RES ERJ3GE JPW V	B	7.6/69.2
R3304	7030003520	S.RES ERJ3GEYJ 472 V (4.7 k)	B	7.6/70.5
R3305	7030003320	S.RES ERJ3GEYJ 101 V (100)	B	9.5/67
R3311	7030003560	S.RES ERJ3GEYJ 103 V (10 k)	B	20.6/65.9
R3312	7030003560	S.RES ERJ3GEYJ 103 V (10 k)	B	19.1/67
R3313	7030003860	S.RES ERJ3GE JPW V	B	18.6/69.2
R3314	7030003520	S.RES ERJ3GEYJ 472 V (4.7 k)	B	19.5/70.5
R3315	7030003320	S.RES ERJ3GEYJ 101 V (100)	B	16.5/67
R3321	7030003640	S.RES ERJ3GEYJ 473 V (47 k)	B	84.1/20.3
R3322	7030003640	S.RES ERJ3GEYJ 473 V (47 k)	B	92.5/20.3
R3323	7030003640	S.RES ERJ3GEYJ 473 V (47 k)	B	76.9/20.3
R3330	7030003680	S.RES ERJ3GEYJ 104 V (100 k)	T	54.6/48.8
R3331	7030003680	S.RES ERJ3GEYJ 104 V (100 k)	T	58.4/48.8
R3332	7030003680	S.RES ERJ3GEYJ 104 V (100 k)	T	55.6/44.6
R3333	7030003680	S.RES ERJ3GEYJ 104 V (100 k)	T	33.5/21.1
C41	4510008540	S.ELE EEE1CA100SR	T	116.9/14.1
C42	4030006860	S.CER C1608 JB 1H 102K-T	B	99.5/9.5
C43	4510008540	S.ELE EEE1CA100SR	T	109.9/14.2
C44	4030006860	S.CER C1608 JB 1H 102K-T	B	102.8/8.7
C45	4510008540	S.ELE EEE1CA100SR	T	105.1/14.2
C46	4030006860	S.CER C1608 JB 1H 102K-T	B	101.1/9
C47	4510008540	S.ELE EEE1CA100SR	T	100.2/15.5
C48	4030006860	S.CER C1608 JB 1H 102K-T	B	97/11.1
C49	4510008540	S.ELE EEE1CA100SR	T	95.4/15.5
C50	4030006860	S.CER C1608 JB 1H 102K-T	B	94.2/11.1
C51	4510008540	S.ELE EEE1CA100SR	T	90.4/13.4
C52	4030006860	S.CER C1608 JB 1H 102K-T	B	89.7/12.3
C53	4030006860	S.CER C1608 JB 1H 102K-T	B	84.3/10.7
C				

[MAIN UNIT]

REF NO.	ORDER NO.	DESCRIPTION	M.	H/V LOCATION
C222	4030011600	S.CER C1608 JB 1E 104K-T	T	58.1/43.6
C301	4030007100	S.CER C1608 CH 1H 560J-T	T	67.6/23.4
C302	4030007160	S.CER C1608 CH 1H 181J-T	B	68.5/24.2
C303	4030007140	S.CER C1608 CH 1H 121J-T	B	71.5/25.5
C304	4030011330	S.CER C1608 CH 1H 391J-T	B	71.5/28.3
C305	4030007080	S.CER C1608 CH 1H 390J-T	B	73.7/29.1
C306	4030011280	S.CER C1608 CH 1H 271J-T	B	70.9/33.5
C307	4030010760	S.CER C1608 CH 1H 331J-T	B	73.1/34.1
C308	4030018580	S.CER C1608 CH 1H 821J-T	B	70.9/34.8
C309	4030010760	S.CER C1608 CH 1H 331J-T	B	73.1/37.6
C1001	4030011600	S.CER C1608 JB 1E 104K-T	T	92.7/57.6
C1002	4030007030	S.CER C1608 CH 1H 150J-T	T	94.9/57.6
C1003	4510007130	S.ELE EEFCD 0J 470R	B	76.3/95
C1004	4030007030	S.CER C1608 CH 1H 150J-T	T	94.9/63.2
C1005	4510007130	S.ELE EEFCD 0J 470R	B	71.5/95
C1006	4030011600	S.CER C1608 JB 1E 104K-T	T	92.7/61.4
C1007	4030011600	S.CER C1608 JB 1E 104K-T	B	90.9/69.3
C1008	4510008540	S.ELE EEE1CA100SR	T	86.6/59.1
C1009	4030011600	S.CER C1608 JB 1E 104K-T	T	63.1/86.9
C1010	4030011600	S.CER C1608 JB 1E 104K-T	T	62.9/65.1
C1011	4030011600	S.CER C1608 JB 1E 104K-T	T	65.2/89
C1012	4030011600	S.CER C1608 JB 1E 104K-T	T	65.2/62.9
C1013	4030011600	S.CER C1608 JB 1E 104K-T	T	69.6/81.4
C1014	4030011600	S.CER C1608 JB 1E 104K-T	T	69.6/80.2
C1015	4030011600	S.CER C1608 JB 1E 104K-T	T	69.6/76.1
C1016	4030011600	S.CER C1608 JB 1E 104K-T	T	69.6/74.9
C1017	4030011600	S.CER C1608 JB 1E 104K-T	T	69.6/71.4
C1018	4030011600	S.CER C1608 JB 1E 104K-T	T	71.5/82.5
C1019	4030011600	S.CER C1608 JB 1E 104K-T	T	70.8/68.7
C1020	4030011600	S.CER C1608 JB 1E 104K-T	T	76.2/89.1
C1021	4030011600	S.CER C1608 JB 1E 104K-T	T	76.1/82.4
C1022	4030011600	S.CER C1608 JB 1E 104K-T	T	75.3/69.5
C1023	4030011600	S.CER C1608 JB 1E 104K-T	T	77.3/82.4
C1024	4030011600	S.CER C1608 JB 1E 104K-T	T	77.4/68.7
C1025	4030011600	S.CER C1608 JB 1E 104K-T	T	76.7/62.9
C1026	4030011600	S.CER C1608 JB 1E 104K-T	T	80.7/82.5
C1027	4030011600	S.CER C1608 JB 1E 104K-T	T	82.2/69.5
C1028	4030011600	S.CER C1608 JB 1E 104K-T	T	82.6/81.9
C1029	4030011600	S.CER C1608 JB 1E 104K-T	T	82.6/79.3
C1030	4030011600	S.CER C1608 JB 1E 104K-T	T	82.6/76.7
C1031	4030011600	S.CER C1608 JB 1E 104K-T	T	82.6/72.6
C1032	4030011600	S.CER C1608 JB 1E 104K-T	T	83.4/69.5
C1033	4030011600	S.CER C1608 JB 1E 104K-T	T	86.3/89.1
C1034	4030011600	S.CER C1608 JB 1E 104K-T	T	82.6/71.4
C1035	4030011600	S.CER C1608 JB 1E 104K-T	T	85.8/62.9
C1036	4030011600	S.CER C1608 JB 1E 104K-T	T	89.1/89.1
C1037	4030011600	S.CER C1608 JB 1E 104K-T	T	88.4/62.9
C1038	4030011600	S.CER C1608 JB 1E 104K-T	T	89.2/76.6
C1039	4030011600	S.CER C1608 JB 1E 104K-T	T	89.2/74
C1040	4030011600	S.CER C1608 JB 1E 104K-T	B	89.9/66
C1041	4030011600	S.CER C1608 JB 1E 104K-T	T	63.1/84.3
C1042	4030011600	S.CER C1608 JB 1E 104K-T	T	62.9/70.8
C1043	4030011600	S.CER C1608 JB 1E 104K-T	T	62.9/77.3
C1044	4030011600	S.CER C1608 JB 1E 104K-T	T	62.9/74
C1045	4030011600	S.CER C1608 JB 1E 104K-T	T	62.9/67.8
C1046	4030011600	S.CER C1608 JB 1E 104K-T	T	68/89
C1047	4030011600	S.CER C1608 JB 1E 104K-T	T	63.1/81.7
C1048	4030011600	S.CER C1608 JB 1E 104K-T	T	69.6/78.5
C1049	4030011600	S.CER C1608 JB 1E 104K-T	T	69.6/82.6
C1050	4030011600	S.CER C1608 JB 1E 104K-T	T	69.6/77.3
C1051	4030011600	S.CER C1608 JB 1E 104K-T	T	69.6/72.6
C1052	4030011600	S.CER C1608 JB 1E 104K-T	T	68.8/69.5
C1053	4030011600	S.CER C1608 JB 1E 104K-T	T	67.8/62.9
C1054	4030011600	S.CER C1608 JB 1E 104K-T	T	72.7/82.5
C1055	4030011600	S.CER C1608 JB 1E 104K-T	T	70.6/62.9
C1056	4030011600	S.CER C1608 JB 1E 104K-T	T	74.9/82.4
C1057	4030011600	S.CER C1608 JB 1E 104K-T	T	79.5/62.9
C1058	4030011600	S.CER C1608 JB 1E 104K-T	T	78.7/82.5
C1059	4030011600	S.CER C1608 JB 1E 104K-T	T	81/69.5
C1060	4030011600	S.CER C1608 JB 1E 104K-T	T	83.5/89.1
C1061	4030011600	S.CER C1608 JB 1E 104K-T	T	82.6/83.2
C1062	4030011600	S.CER C1608 JB 1E 104K-T	T	83.1/62.9
C1063	4030011600	S.CER C1608 JB 1E 104K-T	T	83.3/74.7
C1064	4030011600	S.CER C1608 JB 1E 104K-T	T	89.2/80.4
C1065	4030011600	S.CER C1608 JB 1E 104K-T	T	89.2/71.4
C1066	4030011600	S.CER C1608 JB 1E 104K-T	T	89.2/65.1
C1067	4030011600	S.CER C1608 JB 1E 104K-T	T	89.2/86.1
C1068	4510008540	S.ELE EEE1CA100SR	T	50.1/61
C1201	4030011600	S.CER C1608 JB 1E 104K-T	T	53/64.1
C1302	4030011600	S.CER C1608 JB 1E 104K-T	B	100.4/18.5
C1303	4030011600	S.CER C1608 JB 1E 104K-T	B	101.7/14.7
C1305	4510008540	S.ELE EEE1CA100SR	T	110/67
C1306	4030011600	S.CER C1608 JB 1E 104K-T	B	105.8/11.6
C1307	4030007050	S.CER C1608 CH 1H 220J-T	B	115.3/10.3
C1308	4510008540	S.ELE EEE1CA100SR	T	115/6.8
C1309	4030011600	S.CER C1608 JB 1E 104K-T	B	109.7/7
C1310	4550007090	S.TAN TEESVA 1A 226M8R	B	97.1/20.1
C1311	4550007090	S.TAN TEESVA 1A 226M8R	B	108.4/20.6
C1312	4510008540	S.ELE EEE1CA100SR	T	120/22.5
C1313	4030011600	S.CER C1608 JB 1E 104K-T	B	104.7/24.1
C1314	4030011600	S.CER C1608 JB 1E 104K-T	B	115.9/25.2
C1315	4030011600	S.CER C1608 JB 1E 104K-T	B	97.7/24.2
C1316	4030011600	S.CER C1608 JB 1E 104K-T	B	109/24.6
C1317	4030017810	S.CER C1608 CH 1H 102J-T	B	97.7/26.9
C1318	4510008540	S.ELE EEE1CA100SR	T	105/22.5
C1319	4030017810	S.CER C1608 CH 1H 102J-T	B	109/27.3
C1320	4510008540	S.ELE EEE1CA100SR	T	113.5/22.5
C1321	4030007050	S.CER C1608 CH 1H 220J-T	B	97.7/29.6
C1322	4030007050	S.CER C1608 CH 1H 220J-T	B	109/30.1
C1323	4510008540	S.ELE EEE1CA100SR	T	107.1/28.2
C1324	4510008540	S.ELE EEE1CA100SR	T	125.5/30.6
C1325	4030011600	S.CER C1608 JB 1E 104K-T	B	104.6/27.3
C1326	4030011600	S.CER C1608 JB 1E 104K-T	B	115.9/27.9
C1331	4030017490	S.CER C1608 JB 1A 105K-T	B	117/15.7

[MAIN UNIT]

REF NO.	ORDER NO.	DESCRIPTION	M.	H/V LOCATION
C1332	4030007090	S.CER C1608 CH 1H 470J-T	B	121.5/17.8
C1333	4030017490	S.CER C1608 JB 1A 105K-T	B	128.6/17.2
C1334	4030007090	S.CER C1608 CH 1H 470J-T	B	124.2/17.8
C1335	4030011600	S.CER C1608 JB 1E 104K-T	B	128.6/12.4
C1336	4510008540	S.ELE EEE1CA100SR	T	127/14
C1337	4030011600	S.CER C1608 JB 1E 104K-T	B	118.2/18.6
C1338	4510008540	S.ELE EEE1CA100SR	T	122/14
C1339	4030011600	S.CER C1608 JB 1E 104K-T	B	120.2/22.6
C1340	4030011600	S.CER C1608 JB 1E 104K-T	B	123.4/26
C1351	4030018620	S.CER C1608 CH 1H 222J-T	B	96.6/38
C1352	4510008540	S.ELE EEE1CA100SR	T	93/40.5
C1353	4030011600	S.CER C1608 JB 1E 104K-T	B	96.7/42.5
C1354	4510008540	S.ELE EEE1CA100SR	T	98.5/34
C1355	4510008540	S.ELE EEE1CA100SR	T	98.5/40.5
C1356	4030011810	S.CER C1608 JB 1A 224K-T	B	101.9/31.8
C1357	4030011810	S.CER C1608 JB 1A 224K-T	B	96.8/34.4
C1360	4030011810	S.CER C1608 JB 1A 224K-T	B	105.4/31.8
C1361	4030018620	S.CER C1608 CH 1H 222J-T	B	110/38.2
C1362	4030011810	S.CER C1608 JB 1A 224K-T	B	110.1/34.6
C1363	4510008540	S.ELE EEE1CA100SR	T	109/34
C1364	4510008540	S.ELE EEE1CA100SR	T	104/34
C1365	4030011600	S.CER C1608 JB 1E 104K-T	B	109.9/41.2
C1366	4510008540	S.ELE EEE1CA100SR	T	108.5/40.5
C1367	4030011600	S.CER C1608 JB 1E 104K-T	B	70.4/52.6
C1368	4030011600	S.CER C1608 JB 1E 104K-T	B	71.4/48.3
C1369	4030006860	S.CER C1608 JB 1H 102K-T	B	73.2/43.9
C1401	4510008540	S.ELE EEE1CA100SR	T	86.5/51.7
C1402	4030011600	S.CER C1608 JB 1E 104K-T	B	87.2/55.2
C1403	4030011600	S.CER C1608 JB 1E 104K-T	B	77.3/45.8
C1404	4030011600	S.CER C1608 JB 1E 104K-T	B	77.3/52.7
C1405	4510008540	S.ELE EEE1CA100SR	T	78.4/46.3
C1421	4030018640	S.CER C2012 CH 1H 103J-T	B	77.9/39
C1422	4030018610	S.CER C1608 CH 1H 182J-T	B	78.1/35.1
C1423	4030018620	S.CER C1608 CH 1H 222J-T	B	78.1/40.5
C1425	4030018610	S.CER C1608 CH 1H 182J-T	B	76.2/34.3
C1427	4030011600	S.CER C1608 JB 1E 104K-T	T	78.2/30.2
C1429	4510008540	S.ELE EEE1CA100SR	T	76.4/34
C1433	4510008540	S.ELE EEE1CA100SR	T	81.6/34
C1435	4030011600	S.CER C1608 JB 1E 104K-T	T	80.9/30.2
C1451	4030018620	S.CER C1608 CH 1H 222J-T	B	82.7/40.3
C1452	4030017870	S.CER C1608 CH 1H 681J-T	B	82.9/36.2
C1453	4030011600	S.CER C1608 JB 1E 104K-T	B	80.8/43.1
C1454	4510009050	S.ELE EEE0GA101SR	T	79.5/40.5
C1455	4030017870	S.CER C1608 CH 1H 681J-T	B	80.8/34.4
C1471	4030018640	S.CER C2012 CH 1H 103J-T	B	90.7/40.1
C1472	4030018610	S.CER C1608 CH 1H 182J-T	B	90.5/35.9
C1473	4030018620	S.CER C1608 CH 1H 222J-T	B	90.3/41.6
C1475	4030018610	S.CER C1608 CH 1H 182J-T	B	93.7/37.8
C1476	4030011600	S.CER C1608 JB 1E 104K-T	T	89.9/32.7
C1477	4510008540	S.ELE EEE1CA100SR	T	86.9/34
C1478	4030011600	S.CER C1608 JB 1E 104K-T	B	93.1/26.4
C1479	4510008540	S.ELE EEE1CA100SR	T	89.5/26
C1491	4030019130	S.CER C2012 CH 1H 562J-T-NS	B	86.7/40.1
C1492	4030018610	S.CER C1608 CH 1H 182J-T	B	87.3/35.8
C1495	4030018610	S.CER C1608 CH 1H 182J-T	B	85.4/35
C1603	4550007090	S.TAN TEESVA 1A 226M8R	T	63.1/95
C1604	4030011600	S.CER C1608 JB 1E 104K-T	B	61.4/95.1
C1605	4030017490	S.CER C1608 JB 1A 105K-T	B	68.4/94.2
C1606	4550007320	S.TAN F930J226MAABMA	T	66.6/95
C2001	4550007090	S.TAN TEESVA 1A 226M8R	T	115.5/95.5
C2002	4030011600	S.CER C1608 JB 1E 104K-T	B	117.8/95.7
C2003	4030017490	S.CER C1608 JB 1A 105K-T	B	124.8/95.2
C2004	4550007320	S.TAN F930J226MAABMA	B	126.5/93.3
C2051	4510008540	S.ELE EEE1CA100SR	T	126.6/45.1
C2052	4030011600	S.CER C1608 JB 1E 104K-T	T	126.8/41.1
C2053	4550006250	S.TAN TEESVA 1A 106M8R	B	121.3/36.5
C2054	4030011600	S.CER C1608 JB 1E 104K-T	B	125.5/34.5
C2101	4030011600	S.CER C1608 JB 1E 104K-T	T	96.2/63.2
C2202	4030011600	S.CER C1608 JB 1E 104K-T	T	126.8/39.5
C2203	4030018640	S.CER C2012 CH 1H 103J-T	B	118.8/46.9
C2205	4030011600	S.CER C1608 JB 1E 104K-T	T	118.8/44.1
C2206	4030011600	S.CER C1608 JB 1E 104K-T	T	124.2/39.5
C2207	4550006250	S.TAN TEESVA 1A 106M8R		

[MAIN UNIT]

REF NO.	ORDER NO.	DESCRIPTION	M.	H/V LOCATION
C2421	4030011600	S.CER C1608 JB 1E 104K-T	T	113.7/82.9
C2422	4030011600	S.CER C1608 JB 1E 104K-T	T	113.7/79.9
C2423	4030011600	S.CER C1608 JB 1E 104K-T	T	107/80.2
C2424	4030011600	S.CER C1608 JB 1E 104K-T	T	112.3/88.9
C2425	4030011600	S.CER C1608 JB 1E 104K-T	T	107/67.7
C2426	4030011600	S.CER C1608 JB 1E 104K-T	T	107/74.8
C2427	4030011600	S.CER C1608 JB 1E 104K-T	T	107/77.5
C2428	4030011600	S.CER C1608 JB 1E 104K-T	T	107/70.5
C2429	4030011600	S.CER C1608 JB 1E 104K-T	T	107/83.3
C2430	4030011600	S.CER C1608 JB 1E 104K-T	T	134.5/72.8
C2431	4030011600	S.CER C1608 JB 1E 104K-T	B	133.9/76
C2432	4030011600	S.CER C1608 JB 1E 104K-T	T	134.5/76.4
C2433	4030011600	S.CER C1608 JB 1E 104K-T	T	133.1/62.8
C2434	4030011600	S.CER C1608 JB 1E 104K-T	T	133.2/86.7
C2435	4030011600	S.CER C1608 JB 1E 104K-T	T	130.1/62.8
C2436	4030011600	S.CER C1608 JB 1E 104K-T	T	126.6/72.7
C2437	4030011600	S.CER C1608 JB 1E 104K-T	T	131.8/88.9
C2438	4030011600	S.CER C1608 JB 1E 104K-T	T	127.4/69.4
C2439	4030011600	S.CER C1608 JB 1E 104K-T	T	126.6/71.4
C2440	4030011600	S.CER C1608 JB 1E 104K-T	T	126.6/76.6
C2441	4030011600	S.CER C1608 JB 1E 104K-T	T	126.6/79.2
C2442	4030011600	S.CER C1608 JB 1E 104K-T	T	126.6/80.5
C2443	4030011600	S.CER C1608 JB 1E 104K-T	T	126.1/69.4
C2444	4030011600	S.CER C1608 JB 1E 104K-T	T	124.6/82.3
C2445	4030011600	S.CER C1608 JB 1E 104K-T	T	120.1/62.8
C2446	4030011600	S.CER C1608 JB 1E 104K-T	T	121.5/68.6
C2447	4030011600	S.CER C1608 JB 1E 104K-T	T	121.4/82.3
C2448	4030011600	S.CER C1608 JB 1E 104K-T	T	118.8/68.6
C2449	4030011600	S.CER C1608 JB 1E 104K-T	T	120.1/82.3
C2450	4030011600	S.CER C1608 JB 1E 104K-T	T	119.9/88.9
C2451	4030011600	S.CER C1608 JB 1E 104K-T	T	114.4/69.4
C2452	4030011600	S.CER C1608 JB 1E 104K-T	T	115.7/82.3
C2453	4030011600	S.CER C1608 JB 1E 104K-T	T	113.7/71.4
C2454	4030011600	S.CER C1608 JB 1E 104K-T	T	113.7/74.8
C2455	4030011600	S.CER C1608 JB 1E 104K-T	T	113.7/76.1
C2456	4030011600	S.CER C1608 JB 1E 104K-T	T	113.7/80.3
C2457	4030011600	S.CER C1608 JB 1E 104K-T	T	133.2/68.1
C2458	4030011600	S.CER C1608 JB 1E 104K-T	T	113.7/81.6
C2459	4030011600	S.CER C1608 JB 1E 104K-T	T	109.2/62.8
C2460	4030011600	S.CER C1608 JB 1E 104K-T	T	109.5/88.9
C2461	4030011600	S.CER C1608 JB 1E 104K-T	T	107/64.9
C2462	4030011600	S.CER C1608 JB 1E 104K-T	T	107/86.8
C2463	4030011600	S.CER C1608 JB 1E 104K-T	T	132.1/57.7
C2464	4030011600	S.CER C1608 JB 1E 104K-T	T	132.2/53.5
C2465	4030006900	S.CER C1608 JB 1H 103K-T	T	134.4/52.5
C2481	4550007310	S.TAN F930J227MNM8M	B	108/57.5
C2482	4550007310	S.TAN F930J227MNM8M	B	103.2/57.5
C2483	4550006960	S.TAN TEESVB2 0G 107M8R	T	119.6/94.3
C3101	4510008540	S.ELE EEE1CA100SR	T	28.1/21.6
C3102	4030011600	S.CER C1608 JB 1E 104K-T	T	25.6/25.9
C3103	4030006880	S.CER C1608 JB 1H 472K-T	T	25.6/24.7
C3104	4030011600	S.CER C1608 JB 1E 104K-T	T	42.3/29.7
C3105	4030011600	S.CER C1608 JB 1E 104K-T	T	42.3/33.2
C3106	4030011600	S.CER C1608 JB 1E 104K-T	T	42.3/35.8
C3107	4030011600	S.CER C1608 JB 1E 104K-T	T	42.3/40.7
C3108	4030011600	S.CER C1608 JB 1E 104K-T	T	40.1/43.6
C3109	4030011600	S.CER C1608 JB 1E 104K-T	B	36.7/42.9
C3110	4030011600	S.CER C1608 JB 1E 104K-T	B	29.7/42.8
C3111	4030011600	S.CER C1608 JB 1E 104K-T	T	24.9/44
C3112	4030011600	S.CER C1608 JB 1E 104K-T	B	27.4/41.2
C3113	4030011600	S.CER C1608 JB 1E 104K-T	B	25.7/38.3
C3114	4030011600	S.CER C1608 JB 1E 104K-T	B	27.6/36.2
C3115	4030011600	S.CER C1608 JB 1E 104K-T	B	27.3/32.7
C3116	4030011600	S.CER C1608 JB 1E 104K-T	T	24.9/27.9
C3117	4030011600	S.CER C1608 JB 1E 104K-T	T	28/25.5
C3118	4030011600	S.CER C1608 JB 1E 104K-T	T	30/25.5
C3119	4030011600	S.CER C1608 JB 1E 104K-T	T	34/26.3
C3131	4030011600	S.CER C1608 JB 1E 104K-T	T	40.7/26.6
C3132	4030006880	S.CER C1608 JB 1H 472K-T	B	41.4/32
C3141	4030011600	S.CER C1608 JB 1E 104K-T	T	32.3/22.6
C3151	4030006900	S.CER C1608 JB 1H 103K-T	T	24.5/47.3
C3153	4030007080	S.CER C1608 CH 1H 390J-T	B	23.6/47
C3154	4030010760	S.CER C1608 CH 1H 331J-T	B	19.8/47.8
C3155	4030007090	S.CER C1608 CH 1H 470J-T	B	17.7/43.1
C3156	4030007060	S.CER C1608 CH 1H 270J-T	B	19/43.1
C3157	4030011770	S.CER C1608 CH 1H 060B-T	B	18.5/41.1
C3158	4030007120	S.CER C1608 CH 1H 820J-T	B	18.5/39.8
C3159	4030007040	S.CER C1608 CH 1H 180J-T	B	17.7/37.3
C3160	4030007120	S.CER C1608 CH 1H 820J-T	B	19.8/30.5
C3161	4030011770	S.CER C1608 CH 1H 060B-T	B	19.8/31.8
C3162	4030007090	S.CER C1608 CH 1H 470J-T	B	16.9/34.9
C3163	4030007060	S.CER C1608 CH 1H 270J-T	B	16.9/33.6
C3201	4030007110	S.CER C1608 CH 1H 680J-T	T	8.4/25.6
C3202	4030007080	S.CER C1608 CH 1H 390J-T	T	7.2/25.6
C3221	4550006250	S.TAN TEESVA 1A 106M8R	T	19.6/39.2
C3222	4030007110	S.CER C1608 CH 1H 680J-T	T	12/32.8
C3223	4030007000	S.CER C1608 CH 1H 090D-T	T	9/37
C3224	4030006860	S.CER C1608 JB 1H 102K-T	T	7/36.4
C3225	4030006900	S.CER C1608 JB 1H 103K-T	B	13.8/36.4
C3226	4030006900	S.CER C1608 JB 1H 103K-T	B	9.1/44.4
C3227	4030006900	S.CER C1608 JB 1H 103K-T	B	12.1/50.3
C3228	4030011600	S.CER C1608 JB 1E 104K-T	T	11.8/37.6
C3229	4030011600	S.CER C1608 JB 1E 104K-T	T	12.3/44.5
C3230	4030006900	S.CER C1608 JB 1H 103K-T	T	5.5/40.6
C3231	4030011600	S.CER C1608 JB 1E 104K-T	T	17.5/57.5
C3232	4030006900	S.CER C1608 JB 1H 103K-T	T	21/56.9
C3233	4030007170	S.CER C1608 CH 1H 221J-T	T	18.7/45.9
C3234	4030011600	S.CER C1608 JB 1E 104K-T	T	16.4/49.5
C3251	4030011600	S.CER C1608 JB 1E 104K-T	T	40/93.1
C3252	4030007090	S.CER C1608 CH 1H 470J-T	B	22.3/47
C3255	4030007170	S.CER C1608 CH 1H 221J-T	B	20/86.7
C3256	4030007170	S.CER C1608 CH 1H 221J-T	B	21.3/86.7
C3257	4030007170	S.CER C1608 CH 1H 221J-T	B	22.6/86.7
C3258	4030007170	S.CER C1608 CH 1H 221J-T	B	23.9/86.7

[MAIN UNIT]

REF NO.	ORDER NO.	DESCRIPTION	M.	H/V LOCATION
C3259	4030007170	S.CER C1608 CH 1H 221J-T	B	25.2/86.7
C3260	4030007170	S.CER C1608 CH 1H 221J-T	B	26.5/86.7
C3261	4030007170	S.CER C1608 CH 1H 221J-T	B	27.8/86.7
C3262	4030007170	S.CER C1608 CH 1H 221J-T	B	29.1/86.7
C3263	4030007170	S.CER C1608 CH 1H 221J-T	B	30.4/86.7
C3264	4030007170	S.CER C1608 CH 1H 221J-T	B	31.7/86.7
C3265	4030007170	S.CER C1608 CH 1H 221J-T	B	33/86.7
C3271	4030011600	S.CER C1608 JB 1E 104K-T	B	13.7/66.3
C3272	4510008540	S.ELE EEE1CA100SR	T	13.3/60.5
C3273	4030011600	S.CER C1608 JB 1E 104K-T	B	12.4/66.3
C3274	4510008540	S.ELE EEE1CA100SR	T	8.5/60.5
C3281	4030018640	S.CER C2012 CH 1H 103J-T	B	22.9/74.2
C3282	4030018640	S.CER C2012 CH 1H 103J-T	B	21.1/74.2
C3283	4030018640	S.CER C2012 CH 1H 103J-T	B	19.4/74.2
C3291	4030018620	S.CER C1608 CH 1H 222J-T	B	4.3/75.3
C3293	4030007110	S.CER C1608 CH 1H 680J-T	B	8.2/75.3
C3303	4030007130	S.CER C1608 CH 1H 101J-T	B	8.2/67
C3313	4030017810	S.CER C1608 CH 1H 102J-T	B	17.8/67
C3321	4030011600	S.CER C1608 JB 1E 104K-T	B	86/117.7
C3322	4030011600	S.CER C1608 JB 1E 104K-T	B	83.1/14.1
C3323	4030011600	S.CER C1608 JB 1E 104K-T	B	94.4/17.7
C3324	4030011600	S.CER C1608 JB 1E 104K-T	B	91.5/14.2
C3325	4030011600	S.CER C1608 JB 1E 104K-T	B	78.8/17.7
C3326	4030011600	S.CER C1608 JB 1E 104K-T	B	76.6/13.6
J1	6510007020	CNR TMP-J01X-V6		
J21	6510018961	S.CNR B2B-PH-SM4-TB (LF) (SN)	T	99.4/26.4
J41	6510019811	S.CNR 52808-1671 (1690)	T	95/5
J61	6510021721	S.CNR 30FLT-SM2-TB (LF) (SN)	T	101.2/95.8
J91	6510018961	S.CNR B2B-PH-SM4-TB (LF) (SN)	T	117.7/31
J1101	6510019971	S.CNR 52808-1071	T	58.6/55.2
J2401	6510019971	S.CNR 52808-1071	T	133.9/40.7
J3201	6510007020	CNR TMP-J01X-V6		
J3251	6510025960	S.CNR AXN330C238P	T	38.7/77.4
J3252	6510021721	S.CNR 30FLT-SM2-TB (LF) (SN)	T	24.7/95.4
EP41	6910015970	S.BEA MMZ1608B 301CT-AS	T	99.7/9.1
EP42	6910014730	S.BEA MPZ2012S331A-T	T	104.4/9.3
EP43	6910015970	S.BEA MMZ1608B 301CT-AS	T	101.1/9.1
EP44	6910014730	S.BEA MPZ2012S331A-T	T	97/10.2
EP45	6910014730	S.BEA MPZ2012S331A-T	T	94.9/10.2
EP46	6910015970	S.BEA MMZ1608B 301CT-AS	T	92.1/9.6
EP1001	6910014730	S.BEA MPZ2012S331A-T	T	54.9/61
EP1351	6910014730	S.BEA MPZ2012S331A-T	T	94.3/51.4
EP3251	6910015970	S.BEA MMZ1608B 301CT-AS	T	44.9/72.6

M.=Mounted side (T: Mounted on the Top side B: Mounted on the Bottom side)
S.=Surface mount

[BPF UNIT]

REF NO.	ORDER NO.	DESCRIPTION	M.	H/V LOCATION
IC151	1130011530	S.IC CD74HC4094M96	T	7.9/42.3
IC152	1130011530	S.IC CD74HC4094M96	T	7.9/53
IC154	1160000131	S.IC TD62783AFG (S,EL)	B	18.9/6.8
IC155	1160000131	S.IC TD62783AFG (S,EL)	B	8.5/68.2
IC301	1180002770	S.REG BAJ0CC0FF-E2	T	8.5/88.2
Q151	1590003530	S.TR BCR08PN	T	10.3/64.4
Q152	1590003530	S.TR BCR08PN	T	5.5/64.4
Q180	1590003520	S.TR BCR108T	T	12.6/81.6
Q181	1530002060	S.TR 2SC4081 T106 R	T	81.8/115.8
Q182	1590003570	S.TR BCR183T	T	85.2/112.9
Q183	1530002841	S.TR 2SC4116-Y (TE85R,F)	T	85/115.8
D181	1790001250	S.DIO MA2S111-(TX)	B	84.1/108.5
D182	1790000980	S.DIO MA742 (TX)	T	91.2/115.8
D201	1790001250	S.DIO MA2S111-(TX)	B	69.1/108.4
D202	1790001250	S.DIO MA2S111-(TX)	B	54.2/108.3
L1	6200005521	S.COL NLV25T-470J	B	55.2/88.8
L2	6140004090	COL LR-447		
L3	6140004230	COL LR-458		
L4	6140004230	COL LR-458		
L5	6140004230	COL LR-458		
L6	6140004090	COL LR-447		
L21	6200005521	S.COL NLV25T-470J	B	61.7/88.8
L22	6140004090	COL LR-447		
L23	6140004100	COL LR-448		
L24	6140004100	COL LR-448		
L25	6140004100	COL LR-448		
L26	6140004090	COL LR-447		
L41	6200005521	S.COL NLV25T-470J	B	68.2/88.8
L42	6140004110	COL LR-449		
L43	6140004120	COL LR-450		
L44	6140004120	COL LR-450		
L45	6140004120	COL LR-450		
L46	6140004110	COL LR-449		
L61	6200005521	S.COL NLV25T-470J	B	74.7/88.8
L62	6140004140	COL LR-451		
L63	6140004150	COL LR-452		
L64	6140004150	COL LR-452		
L65	6140004150	COL LR-452		
L66	6140004140	COL LR-451		
L81	6200007021	S.COL NLV25T-270J	B	81.2/88.8
L82	6140004160	COL LR-453		
L83	6140004180	COL LR-454		
L84	6140004180	COL LR-454		
L85	6140004180	COL LR-454		
L86	6140004160	COL LR-453		
L101	6200005011	S.COL NLV25T-100J	B	87.7/88.8
L102	6140004190	COL LR-455		
L103	6140004210	COL LR-456		
L104	6140004210	COL LR-456		
L105	6140004210	COL LR-456		
L106	6140004190	COL LR-455		
L121	6200009141	S.COL NLV25T-6R8J	B	94.2/88.8
L122	6140004220	COL LR-457		
L123	6140004160	COL LR-453		
L124	6140004160	COL LR-453		
L125	6140004160	COL LR-453		
L126	6140004220	COL LR-457		
L141	6200009141	S.COL NLV25T-6R8J	B	100.7/88.8
L142	6200008080	S.COL LQW2BHN22J03L	B	113.9/71.6
L143	6200010870	S.COL C2520C-R33G-A (0.33U)	T	113.8/72.7
L144	6200008080	S.COL LQW2BHN22J03L	B	113.9/87.3
L181	6200005521	S.COL NLV25T-470J	B	10.5/82.5
L201	6140002070	COL LR-233		
L211	6200007780	S.COL LQW2BHN12J03L	T	57.4/112.5
L221	6200005521	S.COL NLV25T-470J	B	35.8/88.8
L222	6180003740	COL SP0406-150J-PF		
L223	6180003740	COL SP0406-150J-PF		
L241	6200005521	S.COL NLV25T-470J	B	29.4/88.8
L242	6140003980	COL LR-476		
L243	6140003980	COL LR-476		
L244	6140003980	COL LR-476		
L245	6140003980	COL LR-476		
L246	6140003980	COL LR-476		
L247	6140003980	COL LR-476		
L248	6140003980	COL LR-476		
L261	6200005521	S.COL NLV25T-470J	B	42.2/88.8
L262	6140004040	COL LR-443		
L263	6140004050	COL LR-444		
L264	6140004050	COL LR-444		
L265	6140004050	COL LR-444		
L266	6140004040	COL LR-443		
L281	6200005521	S.COL NLV25T-470J	B	48.7/88.8
L282	6140004060	COL LR-445		
L283	6140004080	COL LR-446		
L284	6140004080	COL LR-446		
L285	6140004080	COL LR-446		
L286	6140004060	COL LR-445		
R151	7030003240	S.RES ERJ3GEYJ 220 V (22)	T	28.3/10
R152	7030003240	S.RES ERJ3GEYJ 220 V (22)	T	23.4/10.8
R153	7030003240	S.RES ERJ3GEYJ 220 V (22)	T	23.4/9.2
R154	7030003240	S.RES ERJ3GEYJ 220 V (22)	T	28.3/8.4
R155	7030003240	S.RES ERJ3GEYJ 220 V (22)	T	23.4/7.6
R156	7030003240	S.RES ERJ3GEYJ 220 V (22)	T	28.3/6.8
R157	7030003240	S.RES ERJ3GEYJ 220 V (22)	T	23.4/6
R158	7030003240	S.RES ERJ3GEYJ 220 V (22)	T	28.3/5.2
R159	7030003240	S.RES ERJ3GEYJ 220 V (22)	T	12.8/60.3

[BPF UNIT]

REF NO.	ORDER NO.	DESCRIPTION	M.	H/V LOCATION
R160	7030003240	S.RES ERJ3GEYJ 220 V (22)	T	14.1/60.3
R161	7030003240	S.RES ERJ3GEYJ 220 V (22)	T	14.9/63.9
R162	7030003240	S.RES ERJ3GEYJ 220 V (22)	T	16.3/63.9
R163	7030003240	S.RES ERJ3GEYJ 220 V (22)	T	12.7/77.6
R164	7030003240	S.RES ERJ3GEYJ 220 V (22)	T	15.7/77.6
R165	7030003240	S.RES ERJ3GEYJ 220 V (22)	T	14.2/77.6
R166	7030003240	S.RES ERJ3GEYJ 220 V (22)	T	11.2/77.6
R167	7030003320	S.RES ERJ3GEYJ 101 V (100)	T	7.4/64.4
R168	7030003320	S.RES ERJ3GEYJ 101 V (100)	T	12.2/64.4
R182	7030003560	S.RES ERJ3GEYJ 103 V (10 k)	T	82.4/113.7
R183	7030003320	S.RES ERJ3GEYJ 101 V (100)	T	88.2/112.7
R184	7030003680	S.RES ERJ3GEYJ 104 V (100 k)	T	88.2/113.9
R185	7030003860	S.RES ERJ3GE JPW V	T	88.2/115.1
R186	7030003480	S.RES ERJ3GEYJ 222 V (2.2 k)	T	88.2/116.3
R201	7030011700	S.RES ERJ1TYJ681U (680)	B	111.1/95.2
R202	7030010420	S.RES ERJ1TYJ 560U (56)	B	111.1/103.8
R203	7030010970	S.RES ERJ1TYJ 151U	B	120.2/94.6
R204	7030010440	S.RES ERJ1TYJ 680U (68)	B	120.2/103.2
R205	7030010610	S.RES ERJ1TYJ 470U (47)	B	102.6/115.9
R206	7030010520	S.RES ERJ1TYJ 101U (100)	B	111.2/115.9
R207	7540000260	ABS SA05C 201M		
R208	7540000260	ABS SA05C 201M		
R209	7030003680	S.RES ERJ3GEYJ 104 V (100 k)	T	48/109.6
R221	7030003640	S.RES ERJ3GEYJ 473 V (47 k)	T	29.2/32.6
R222	7030003860	S.RES ERJ3GE JPW V	T	26.6/33.4
R301	7030003360	S.RES ERJ3GEYJ 221 V (220)	T	9.4/32.5
R302	7030003360	S.RES ERJ3GEYJ 221 V (220)	T	9.4/31.3
R303	7030003360	S.RES ERJ3GEYJ 221 V (220)	T	9.4/30.1
R304	7030003360	S.RES ERJ3GEYJ 221 V (220)	T	9.4/28.9
R305	7030003640	S.RES ERJ3GEYJ 473 V (47 k)	T	13.3/31.3
R306	7030003640	S.RES ERJ3GEYJ 473 V (47 k)	T	13.3/32.5
R307	7030003640	S.RES ERJ3GEYJ 473 V (47 k)	T	13.3/30.1
R308	7030003640	S.RES ERJ3GEYJ 473 V (47 k)	T	13.3/28.7
R309	7030003360	S.RES ERJ3GEYJ 221 V (220)	T	9.4/27.9
R310	7030003360	S.RES ERJ3GEYJ 221 V (220)	T	9.4/26.5
C1	4030006880	S.CER C1608 JB 1H 472K-T	B	59.5/15
C2	4030017800	S.CER C1608 CH 1H 561J-T	B	57.4/29.5
C3	4030011330	S.CER C1608 CH 1H 391J-T	B	57.4/31.2
C4	4030007160	S.CER C1608 CH 1H 181J-T	B	54.1/39.8
C5	4030007070	S.CER C1608 CH 1H 330J-T	B	54.1/41.6
C6	4030007030	S.CER C1608 CH 1H 150J-T	B	51.7/45.5
C7	4030007120	S.CER C1608 CH 1H 820J-T	B	53.5/45.5
C8	4030007140	S.CER C1608 CH 1H 121J-T	B	54.1/53
C9	4030007100	S.CER C1608 CH 1H 560J-T	B	54.1/54.9
C10	4030007120	S.CER C1608 CH 1H 820J-T	B	53.4/57.3
C11	4030007030	S.CER C1608 CH 1H 150J-T	B	51.7/57.3
C12	4030007160	S.CER C1608 CH 1H 181J-T	B	54.1/60
C13	4030007070	S.CER C1608 CH 1H 330J-T	B	54.1/61.9
C14	4030017800	S.CER C1608 CH 1H 561J-T	B	57/84.1
C15	4030011330	S.CER C1608 CH 1H 391J-T	B	57/85.5
C16	4030006880	S.CER C1608 JB 1H 472K-T	B	55.2/91.2
C21	4030006880	S.CER C1608 JB 1H 472K-T	B	65.9/15
C22	4030010760	S.CER C1608 CH 1H 331J-T	B	67.2/29.5
C23	4030007150	S.CER C1608 CH 1H 151J-T	B	68.2/31.2
C24	4030007150	S.CER C1608 CH 1H 151J-T	B	63.8/39.8
C25	4030007060	S.CER C1608 CH 1H 270J-T	B	63.8/41.6
C26	4030007060	S.CER C1608 CH 1H 270J-T	B	63.2/45.5
C27	4030007140	S.CER C1608 CH 1H 121J-T	B	61.5/45.5
C28	4030007150	S.CER C1608 CH 1H 151J-T	B	63.9/53
C29	4030007010	S.CER C1608 CH 1H 100D-T	B	63.9/54.9
C30	4030007140	S.CER C1608 CH 1H 121J-T	B	63.2/57.4
C31	4030007060	S.CER C1608 CH 1H 270J-T	B	61.5/57.4
C32	4030007150	S.CER C1608 CH 1H 151J-T	B	63.9/60
C33	4030007060	S.CER C1608 CH 1H 270J-T	B	63.9/61.9
C34	4030010760	S.CER C1608 CH 1H 331J-T	B	66.6/83.7
C35	4030007150	S.CER C1608 CH 1H 151J-T	B	65.6/84.6
C36	4030006880	S.CER C1608 JB 1H 472K-T	B	61.7/91.2
C41	4030006880	S.CER C1608 JB 1H 472K-T	B	72.2/15
C42	4030007170	S.CER C1608 CH 1H 221J-T	B	76.8/29.5
C43	4030007170	S.CER C1608 CH 1H 221J-T	B	76.8/31.2
C44	4030007130	S.CER C1608 CH 1H 101J-T	B	73.6/39.8
C45	4030007050	S.CER C1608 CH 1H 220J-T	B	73.6/41.6
C46	4030007070	S.CER C1608 CH 1H 330J-T	B	72.9/45.5
C47	4030007080	S.CER C1608 CH 1H 390J-T	B	71.1/45.5
C48	4030007120	S.CER C1608 CH 1H 820J-T	B	73.5/53
C49	4030007050	S.CER C1608 CH 1H 220J-T	B	73.5/54.9
C50	4030007080	S.CER C1608 CH 1H 390J-T	B	72.8/57.5
C51	4030007070	S.CER C1608 CH 1H 330J-T	B	71.1/57.5
C52	4030007130	S.CER C1608 CH 1H 101J-T	B	73.5/60
C53	4030007050	S.CER C1608 CH 1H 220J-T	B	73.5/61.9
C54	4030007170	S.CER C1608 CH 1H 221J-T	B	76.4/83.6
C55	4030007170	S.CER C1608 CH 1H 221J-T	B	75.4/84.6
C56	4030006880	S.CER C1608 JB 1H 472K-T	B	68.2/91.2
C61	4030006880	S.CER C1608 JB 1H 472K-T	B	78.6/15
C62	4030007170	S.CER C1608 CH 1H 221J-T	B	86.6/29.5
C63	4030007110	S.CER C1608 CH 1H 680J-T	B	86.6/31.2
C64	4030007090	S.CER C1608 CH 1H 470J-T	B	83.4/39.8
C65	4030007090	S.CER C1608 CH 1H 470J-T	B	83.4/41.6
C66	4030007070	S.CER C1608 CH 1H 330J-T	B	82.7/45.5
C67	4030007070	S.CER C1608 CH 1H 330J-T	B	80.9/45.5
C68	4030007120	S.CER C1608 CH 1H 820J-T	B	83.3/54.9
C69	4030007070	S.CER C1608 CH 1H 330J-T	B	80.9/57.5
C70	4030007070	S.CER C1608 CH 1H 330J-T	B	82.6/57.5
C71	4030007090	S.CER C1608 CH 1H 470J-T	B	83.3/60
C72	4030007090	S.CER C1608 CH 1H 470J-T	B	83.3/61.9
C73	4030007170	S.CER C1608 CH 1H 221J-T	B	86.2/75.5
C74	4030007110	S.CER C1608 CH 1H 680J-T	B	86.2/77.1
C75	4030006880	S.CER C1608 JB 1H 472K-T	B	74.7/91.2
C81	4030006880	S.CER C1608 JB 1H 472K-T	B	85.1/15
C82	4030007160	S.CER C1608 CH 1H 181J-T	B	96.3/29.5
C83	4030007090	S.CER C1608 CH 1H 470J-T	B	96.3/31.2
C84	4030007090	S.CER C1608 CH 1H 470J-T	B	92.9/39.8

M.=Mounted side (T: Mounted on the Top side B: Mounted on the Bottom side) S.=Surface mount

[BPF UNIT]

REF NO.	ORDER NO.	DESCRIPTION	M.	H/V LOCATION
C85	4030007040	S.CER C1608 CH 1H 180J-T	B	92.9/41.6
C86	4030007030	S.CER C1608 CH 1H 150J-T	B	92.3/45.5
C87	4030007050	S.CER C1608 CH 1H 220J-T	B	90.5/45.5
C88	4030007090	S.CER C1608 CH 1H 470J-T	B	93/54.9
C89	4030006990	S.CER C1608 CH 1H 080D-T	B	93/53
C90	4030007050	S.CER C1608 CH 1H 220J-T	B	92.3/57.4
C91	4030007030	S.CER C1608 CH 1H 150J-T	B	90.6/57.4
C92	4030007090	S.CER C1608 CH 1H 470J-T	B	93/60
C93	4030007040	S.CER C1608 CH 1H 180J-T	B	93/61.9
C94	4030007160	S.CER C1608 CH 1H 181J-T	B	95.9/75.5
C95	4030007090	S.CER C1608 CH 1H 470J-T	B	95.9/77.1
C96	4030006880	S.CER C1608 JB 1H 472K-T	B	81.2/91.2
C101	4030006880	S.CER C1608 JB 1H 472K-T	B	91.5/15
C102	4030007140	S.CER C1608 CH 1H 121J-T	B	105.7/31.2
C103	4030007040	S.CER C1608 CH 1H 180J-T	B	105.7/29.5
C104	4030007070	S.CER C1608 CH 1H 330J-T	B	102.7/39.8
C105	4030007040	S.CER C1608 CH 1H 180J-T	B	102.7/41.6
C106	4030007010	S.CER C1608 CH 1H 100D-T	B	102.1/45.5
C107	4030007070	S.CER C1608 CH 1H 330J-T	B	100.3/45.5
C108	4030007090	S.CER C1608 CH 1H 470J-T	B	102.8/53
C109	4030007070	S.CER C1608 CH 1H 330J-T	B	102.1/56.3
C110	4030007010	S.CER C1608 CH 1H 100D-T	B	100.3/56.3
C111	4030007070	S.CER C1608 CH 1H 330J-T	B	102.8/59.5
C112	4030007040	S.CER C1608 CH 1H 180J-T	B	102.8/61.5
C113	4030007140	S.CER C1608 CH 1H 121J-T	B	105.9/77.1
C114	4030007040	S.CER C1608 CH 1H 180J-T	B	105.9/75.6
C115	4030006880	S.CER C1608 JB 1H 472K-T	B	87.7/91.2
C121	4030006880	S.CER C1608 JB 1H 472K-T	B	98.1/15
C122	4030007130	S.CER C1608 CH 1H 101J-T	B	112.7/24
C123	4030007030	S.CER C1608 CH 1H 150J-T	B	112.7/25.7
C124	4030007050	S.CER C1608 CH 1H 220J-T	B	113.4/34.2
C125	4030007020	S.CER C1608 CH 1H 120J-T	B	113.4/36
C126	4030007050	S.CER C1608 CH 1H 220J-T	B	115.3/39.9
C127	4030007050	S.CER C1608 CH 1H 220J-T	B	113.4/46.7
C128	4030006980	S.CER C1608 CH 1H 070D-T	B	113.4/48.5
C129	4030007050	S.CER C1608 CH 1H 220J-T	B	115.3/51.2
C130	4030007050	S.CER C1608 CH 1H 220J-T	B	113.4/53.9
C131	4030007020	S.CER C1608 CH 1H 120J-T	B	113.4/55.8
C132	4030007130	S.CER C1608 CH 1H 101J-T	B	110.8/86.4
C133	4030007030	S.CER C1608 CH 1H 150J-T	B	110.8/84.8
C134	4030006880	S.CER C1608 JB 1H 472K-T	B	94.2/91.2
C141	4030006880	S.CER C1608 JB 1H 472K-T	B	104.5/15
C142	4030008560	S.CER C1608 CH 1H 300J-T	B	116.8/70.2
C143	4030007060	S.CER C1608 CH 1H 270J-T	B	116.9/72.9
C144	4030007130	S.CER C1608 CH 1H 101J-T	B	116.9/74.5
C145	4030007130	S.CER C1608 CH 1H 101J-T	B	116.5/84.8
C146	4030007060	S.CER C1608 CH 1H 270J-T	B	116.5/86.4
C147	4030008560	S.CER C1608 CH 1H 300J-T	B	116.5/88.5
C148	4030006880	S.CER C1608 JB 1H 472K-T	B	100.7/91.2
C151	4030011600	S.CER C1608 JB 1E 104K-T	B	10.7/16.5
C152	4030011600	S.CER C1608 JB 1E 104K-T	B	4.4/77.9
C153	4030011600	S.CER C1608 JB 1E 104K-T	T	14.3/39.9
C154	4030011600	S.CER C1608 JB 1E 104K-T	T	13.9/50.8
C181	4030006880	S.CER C1608 JB 1H 472K-T	B	85.4/108.5
C182	4030010760	S.CER C1608 CH 1H 331J-T	T	94/114.3
C183	4030007050	S.CER C1608 CH 1H 220J-T	T	91.2/113.9
C184	4030009520	S.CER C1608 CH 1H 020B-T	T	91.2/112.7
C185	4030010210	S.CER C3216 JB 1C 105M-T	B	86.2/112.9
C186	4030011600	S.CER C1608 JB 1E 104K-T	B	86.2/105.3
C201	4030006880	S.CER C1608 JB 1H 472K-T	B	107/91.2
C202	4030006880	S.CER C1608 JB 1H 472K-T	B	116/91.2
C203	4030006880	S.CER C1608 JB 1H 472K-T	B	99.9/111.7
C204	4030006880	S.CER C1608 JB 1H 472K-T	B	70.4/108.4
C205	4030006880	S.CER C1608 JB 1H 472K-T	B	55.5/108.3
C211	4030007020	S.CER C1608 CH 1H 120J-T	T	61/113.3
C212	4030007020	S.CER C1608 CH 1H 120J-T	T	59.8/113.3
C213	4030011770	S.CER C1608 CH 1H 060B-T	T	55/113.3
C214	4030011770	S.CER C1608 CH 1H 060B-T	T	53.8/113.3
C215	4030011770	S.CER C1608 CH 1H 060B-T	T	52.6/113.3
C216	4030011770	S.CER C1608 CH 1H 060B-T	T	51.4/113.3
C221	4030006880	S.CER C1608 JB 1H 472K-T	B	40.1/15
C222	4030018610	S.CER C1608 CH 1H 182J-T	T	27.5/38.1
C223	4030018510	S.CER C2012 CH 1H 682J-T	T	28.3/53.8
C224	4030018640	S.CER C2012 CH 1H 103J-T	T	28.3/55.9
C225	4030018610	S.CER C1608 CH 1H 182J-T	T	27.4/71.5
C226	4030006880	S.CER C1608 JB 1H 472K-T	B	35.8/91.2
C227	4030018640	S.CER C2012 CH 1H 103J-T	T	27.6/36.1
C228	4030018640	S.CER C2012 CH 1H 103J-T	T	27.6/73.5
C241	4030006880	S.CER C1608 JB 1H 472K-T	B	33.7/15
C242	4030017810	S.CER C1608 CH 1H 102J-T	B	20.4/30.4
C243	4030007130	S.CER C1608 CH 1H 101J-T	B	21.2/39.8
C244	4030007130	S.CER C1608 CH 1H 101J-T	B	21.2/41.6
C245	4030017810	S.CER C1608 CH 1H 102J-T	B	21.9/45.5
C246	4030018610	S.CER C1608 CH 1H 182J-T	B	23.7/45.5
C247	4030017810	S.CER C1608 CH 1H 102J-T	B	21.2/54.9
C248	4030018600	S.CER C1608 CH 1H 152J-T	B	21.2/53
C249	4030017810	S.CER C1608 CH 1H 102J-T	B	23.7/57.3
C250	4030018610	S.CER C1608 CH 1H 182J-T	B	21.9/57.3
C251	4030007130	S.CER C1608 CH 1H 101J-T	B	21.2/61.9
C252	4030007130	S.CER C1608 CH 1H 101J-T	B	21.2/60
C253	4030017810	S.CER C1608 CH 1H 102J-T	B	20.8/83
C254	4030006880	S.CER C1608 JB 1H 472K-T	B	29.4/91.2
C261	4030006880	S.CER C1608 JB 1H 472K-T	B	46.7/15
C262	4030017810	S.CER C1608 CH 1H 102J-T	B	38.3/29.5
C263	4030017810	S.CER C1608 CH 1H 102J-T	B	38.3/31.2
C264	4030010760	S.CER C1608 CH 1H 331J-T	B	34.9/39.8
C265	4030007140	S.CER C1608 CH 1H 121J-T	B	34.9/41.6
C266	4030007160	S.CER C1608 CH 1H 181J-T	B	34.2/45.6
C267	4030007060	S.CER C1608 CH 1H 270J-T	B	32.4/45.6
C268	4030010760	S.CER C1608 CH 1H 331J-T	B	34.8/53
C269	4030007090	S.CER C1608 CH 1H 470J-T	B	34.8/54.9
C270	4030007160	S.CER C1608 CH 1H 181J-T	B	34.1/57.4
C271	4030007060	S.CER C1608 CH 1H 270J-T	B	32.5/57.4
C272	4030010760	S.CER C1608 CH 1H 331J-T	B	34.8/60

[BPF UNIT]

REF NO.	ORDER NO.	DESCRIPTION	M.	H/V LOCATION
C273	4030007140	S.CER C1608 CH 1H 121J-T	B	34.8/61.9
C274	4030017810	S.CER C1608 CH 1H 102J-T	B	37.8/83.9
C275	4030017810	S.CER C1608 CH 1H 102J-T	B	37.8/85.3
C276	4030006880	S.CER C1608 JB 1H 472K-T	B	42.2/91.2
C281	4030006880	S.CER C1608 JB 1H 472K-T	B	53.1/15
C282	4030017800	S.CER C1608 CH 1H 561J-T	B	47.9/29.5
C283	4030010760	S.CER C1608 CH 1H 331J-T	B	47.9/31.2
C284	4030010760	S.CER C1608 CH 1H 331J-T	B	44.5/39.8
C285	4030007080	S.CER C1608 CH 1H 390J-T	B	44.5/41.6
C286	4030007100	S.CER C1608 CH 1H 560J-T	B	42.1/45.5
C287	4030010760	S.CER C1608 CH 1H 331J-T	B	43.9/45.5
C288	4030010760	S.CER C1608 CH 1H 331J-T	B	44.5/53
C289	4030007090	S.CER C1608 CH 1H 470J-T	B	44.5/54.9
C290	4030010760	S.CER C1608 CH 1H 331J-T	B	43.8/57.4
C291	4030007100	S.CER C1608 CH 1H 560J-T	B	42.1/57.4
C292	4030010760	S.CER C1608 CH 1H 331J-T	B	44.5/60
C293	4030007080	S.CER C1608 CH 1H 390J-T	B	44.5/61.9
C294	4030017800	S.CER C1608 CH 1H 561J-T	B	47.5/84
C295	4030010760	S.CER C1608 CH 1H 331J-T	B	47.5/85.4
C296	4030006880	S.CER C1608 JB 1H 472K-T	B	48.7/91.2
C301	4030011600	S.CER C1608 JB 1E 104K-T	T	13.4/24
C302	4550003210	S.TAN TEESVD21D226M12R	T	7/82.1
C303	4030011600	S.CER C1608 JB 1E 104K-T	T	3/86.8
C304	4030011600	S.CER C1608 JB 1E 104K-T	T	3/89.6
C305	4510008540	S.ELE EEE1CA100SR	T	7/94.1
RL1	6330001721	RLY ATN207-K1		
RL2	6330001721	RLY ATN207-K1		
RL21	6330001721	RLY ATN207-K1		
RL22	6330001721	RLY ATN207-K1		
RL41	6330001721	RLY ATN207-K1		
RL42	6330001721	RLY ATN207-K1		
RL61	6330001721	RLY ATN207-K1		
RL62	6330001721	RLY ATN207-K1		
RL81	6330001721	RLY ATN207-K1		
RL82	6330001721	RLY ATN207-K1		
RL101	6330001721	RLY ATN207-K1		
RL102	6330001721	RLY ATN207-K1		
RL121	6330001721	RLY ATN207-K1		
RL122	6330001721	RLY ATN207-K1		
RL141	6330001721	RLY ATN207-K1		
RL142	6330001721	RLY ATN207-K1		
RL181	6330001721	RLY ATN207-K1		
RL201	6330001721	RLY ATN207-K1		
RL202	6330001721	RLY ATN207-K1		
RL203	6330001721	RLY ATN207-K1		
RL204	6330001721	RLY ATN207-K1		
RL205	6330001721	RLY ATN207-K1		
RL221	6330001721	RLY ATN207-K1		
RL222	6330001721	RLY ATN207-K1		
RL241	6330001721	RLY ATN207-K1		
RL242	6330001721	RLY ATN207-K1		
RL261	6330001721	RLY ATN207-K1		
RL262	6330001721	RLY ATN207-K1		
RL281	6330001721	RLY ATN207-K1		
RL282	6330001721	RLY ATN207-K1		
J1	6510020521	S.CNR 52808-1271 (1290)	T	4.5/26.9
J11	6510007020	CNR TMP-J01X-V6		
J501	6510007020	CNR TMP-J01X-V6		
J502	6450001800	CNR JPJ1044-01-010		
W1	7120000470	JMP ERDS2T0		
EP301	6910014730	S.BEA MPZ2012S331A-T	T	10.4/20.6
EP302	6910018270	S.BEA MMZ1608Y301CT	T	10.8/24

M.=Mounted side (T: Mounted on the Top side B: Mounted on the Bottom side)
S.=Surface mount

[RF-A UNIT]

REF NO.	ORDER NO.	DESCRIPTION	M.	H/V LOCATION
IC130	1190002010	S.IC SD5400CY <TOMO>	T	67.8/92.9
IC210	1110006180	S.IC UPG2009TB-E3	T	66.5/65.4
IC311	1180000421	S.IC TA78L05F (TE12R,F)	B	145/5.3
IC380	1190002110	S.IC NJG1519KC1-TE3-#ZZZB	T	29.3/72.4
IC500	1190002110	S.IC NJG1519KC1-TE3-#ZZZB	T	27/32
IC620	1180002770	S.REG BAJ0CC0FP-E2	B	88.8/5.7
IC701	1110006180	S.IC UPG2009TB-E3	T	63.1/5.7
IC800	1130011530	S.IC CD74HC4094M96	T	149.7/48.7
IC801	1130011530	S.IC CD74HC4094M96	T	149.7/40.6
IC850	1180000720	S.IC AN79L05M-(E1)	B	155.2/14.9
IC950	1110005100	S.IC NJM072BM-TE1-#ZZZB	T	132/17.7
IC951	1110005420	S.IC BA15532F-E2	T	131.6/31.5
IC1000	1110006100	S.IC NJM5534MD-TE1-#ZZZB	B	142.3/32.7
IC1030	1110000960	S.IC NJM4558M-TE1-#FMZB	B	74.5/43.7
IC1031	1110006750	S.IC TK14570LTL-G	T	73.3/34
IC1032	1120002830	S.IC NJM2125F-TE1-#FZZB	B	73.7/32
IC1060	1110006190	S.IC NJM074M-TE1-#ZZZB	B	126.4/32.2
IC1090	1110006100	S.IC NJM5534MD-TE1-#ZZZB	B	110/45
IC1091	1110006100	S.IC NJM5534MD-TE1-#ZZZB	B	122.2/17.7
IC1311	1130011921	S.IC TC74LCX00F (EL,F)	T	95.9/28.2
IC1312	1130005971	S.IC TC74HC4053AF (F)	T	142.5/17.2
Q20	1590003530	S.TR BCR08PN	T	114.8/59.4
Q21	1590003530	S.TR BCR08PN	T	111.2/59.4
Q22	1590003530	S.TR BCR08PN	T	115.9/74.3
Q30	1530003851	S.TR 2SC5551F-TD-E	B	131.2/63.4
Q50	1530003851	S.TR 2SC5551F-TD-E	B	128/91.5
Q70	1530003851	S.TR 2SC5551F-TD-E	B	128/76.5
Q150	1590003520	S.TR BCR108T	T	32.9/81.4
Q151	1550000090	S.FET RSQ035P03TR	B	37.8/86.5
Q170	1530003860	TR 2SC3950D		
Q190	1530003860	TR 2SC3950D		
Q191	1530003841	S.TR 2SC5501-4-TR-E	T	25.2/84.1
Q321	1560000641	S.FET 2SK1740-4/5-TB-E	T	60.7/57.5
Q350	1590003530	S.TR BCR08PN	T	56.8/38.9
Q351	1590003530	S.TR BCR08PN	T	56.8/35.1
Q550	1530003841	S.TR 2SC5501-4-TR-E	B	7.2/17.4
Q580	1530003021	S.TR 2SC4402-3-TL-E	B	19.4/12.8
Q581	1530003021	S.TR 2SC4402-3-TL-E	B	14.4/9.6
Q640	1560000641	S.FET 2SK1740-4/5-TB-E	B	38.6/3
Q641	1560000641	S.FET 2SK1740-4/5-TB-E	B	38.6/2
Q671	1560000641	S.FET 2SK1740-4/5-TB-E	T	57.8/6.8
Q730	1530003151	S.TR 2SC4673D-TD-E	T	42.5/20.3
Q901	1590003520	S.TR BCR108T	B	141.4/15.3
Q1011	1530003431	S.TR 2SC5226-4-TL-E	T	68.7/11.1
Q1021	1530003431	S.TR 2SC5226-4-TL-E	T	68/23.8
Q1200	1530003450	S.TR 2SC4835-R (TX)	B	95.3/45.9
Q1201	1530003450	S.TR 2SC4835-R (TX)	B	98.1/10.8
Q1310	1530002601	S.TR 2SC4215-O (TE85R,F)	B	99.7/28.2
D1	1750000581	S.DIO 1SV307 (TPH3,F)	T	110.5/90.2
D20	1750000550	S.DIO 1SS355 TE-17	B	148/95.9
D21	1750000550	S.DIO 1SS355 TE-17	B	148.3/80.6
D90	1750000550	S.DIO 1SS355 TE-17	B	105/80.8
D91	1750000550	S.DIO 1SS355 TE-17	B	105.2/97.3
D460	1750000581	S.DIO 1SV307 (TPH3,F)	T	19/71.7
D461	1750000581	S.DIO 1SV307 (TPH3,F)	T	19/73.8
D462	1750000581	S.DIO 1SV307 (TPH3,F)	T	18.6/34.3
D463	1750000581	S.DIO 1SV307 (TPH3,F)	T	18.6/32.3
D600	1750000431	S.DIO HSB88WSTR-E	T	42.1/12.5
D850	1790001670	S.DIO RB706F-40T106	B	113.8/9
D851	1790001670	S.DIO RB706F-40T106	T	113.6/14.2
D950	1750000550	S.DIO 1SS355 TE-17	T	132.5/24.4
D951	1750000550	S.DIO 1SS355 TE-17	T	132.5/22.6
D1021	1790001240	S.DIO MAZ5728-(TX)	B	67.7/25.4
D1250	1750000431	S.DIO HSB88WSTR-E	T	92.1/38.3
D1251	1750000431	S.DIO HSB88WSTR-E	T	92/18.3
FI400	2030000530	S.MLH FL-384 (58.7 MHz)	T	44.2/51.5
FI420	2030000540	S.MLH FL-385 (58.7 MHz)	T	35.6/53.7
FI440	2030000550	S.MLH FL-386 (58.7 MHz)	T	27/51.5
FI460	2030000560	S.MLH FL-387 (58.7 MHz)	T	18.4/53.7
FI480	2030000570	S.MLH FL-388 (58.7 MHz)	T	9.8/51.5
FI702	2020002430	CER SFVLF10M7LF00-B0		
FI1011	2020001170	S.CER SFECA10.7MS2-A-TC	T	75/17.8
FI1030	2020001170	S.CER SFECA10.7MS2-A-TC	T	68.6/28.8
L20	6200009690	S.COL LQH43CN101K03L	T	127/56.4
L21	6200009690	S.COL LQH43CN101K03L	T	120.4/65.7
L30	6140003890	COL LR-488		
L31	6180001000	COL LAL 04NA 102K		
L32	6200010680	S.COL C2520C-R22G-A (0.22U)	T	111/72.8
L33	6140003900	COL LR-489		
L50	6200007790	S.COL LQW2BHN1R15J03L	B	143.7/76.3
L51	6140003800	COL LR-439		
L52	6190001650	COL ELC06D102E		
L53	6140003880	S.COL LR-486	T	28.3/6.8
L54	6140003800	COL LR-439		
L70	6190001650	COL ELC06D102E		
L110	6200010740	S.COL C2520C-R27G-A	T	98.2/86.4
L111	6200010740	S.COL C2520C-R27G-A	T	95.4/82.8
L112	6200007780	S.COL LQW2BHN1R12J03L	B	86.1/91.7
L113	6200007780	S.COL LQW2BHN1R12J03L	B	83.5/91.7
L114	6200010740	S.COL C2520C-R27G-A	T	92.6/79.2
L131	6200010730	S.COL C2520C-68NG-A	T	83.1/87.6
L132	6190001631	COL #E544EN-100021		
L133	6200011410	S.COL C2520C-82NG-A	T	67.5/76.6
L134	6200010860	S.COL C2520C-R10G-A (0.1U)	T	66.2/70.3
L136	6140003920	COL LR-491		
L138	6140003960	COL LR-495		

[RF-A UNIT]

REF NO.	ORDER NO.	DESCRIPTION	M.	H/V LOCATION
L150	6180003570	COL SP0406-3R3K-6		
L170	6200010740	S.COL C2520C-R27G-A	T	50.8/94.8
L190	6200011450	S.COL C2520C-R39G-A	T	30.9/94.4
L191	6140003910	COL LR-490		
L211	6200010740	S.COL C2520C-R27G-A	T	71.5/62.3
L230	6140004660	COL LR-524		
L290	6200010650	S.COL C2520C-R12G-A (0.12U)	T	87.8/65.8
L291	6200010860	S.COL C2520C-R10G-A (0.1U)	T	84.1/62.7
L292	6200010670	S.COL C2520C-R18G-A (0.18U)	T	80.9/59
L293	6200010680	S.COL C2520C-R22G-A (0.22U)	T	75.8/55.7
L321	6200005011	S.COL NLV25T-100J	T	63.1/61.3
L322	6140002810	S.COL LR-317	T	69.1/54.9
L323	6200011220	S.COL C2012C-R47J-A	T	63/53.3
L400	6200010960	S.COL C2520C-R47G-A (0.47U)	T	44.3/64.6
L401	6200010960	S.COL C2520C-R47G-A (0.47U)	T	44.2/41.7
L402	6200010960	S.COL C2520C-R47G-A (0.47U)	T	44.3/61.4
L403	6200010960	S.COL C2520C-R47G-A (0.47U)	T	44.2/38.2
L420	6200010770	S.COL C2520C-R68G-A	T	35.4/66.9
L421	6200010770	S.COL C2520C-R68G-A	T	35.8/43.8
L422	6200010780	S.COL C2520C-1R0G-A	T	35.4/63.6
L423	6200010780	S.COL C2520C-1R0G-A	T	35.8/40.6
L440	6200010450	S.COL C2520C-R82G-A (0.82U)	T	26.9/64.4
L441	6200010450	S.COL C2520C-R82G-A (0.82U)	T	26.9/41.6
L442	6200010440	S.COL C2520C-1R2G-A (1.2U)	T	26.9/31.3
L443	6200010440	S.COL C2520C-1R2G-A (1.2U)	T	26.9/68.5
L460	6200010440	S.COL C2520C-1R2G-A (1.2U)	T	18/66.6
L461	6200010440	S.COL C2520C-1R2G-A (1.2U)	T	18/43.8
L462	6200010440	S.COL C2520C-1R2G-A (1.2U)	T	18/63.4
L463	6200010440	S.COL C2520C-1R2G-A (1.2U)	T	18/40.6
L464	6200003711	S.COL NLV25T-2R7J	T	22.3/71.7
L465	6200003711	S.COL NLV25T-2R7J	T	21.9/32.5
L480	6200010810	S.COL C2520C-2R2G-A	T	10.5/61.2
L481	6200010810	S.COL C2520C-2R2G-A	T	9.2/41.7
L482	6200010680	S.COL C2520C-R22G-A (0.22U)	T	10.5/64.7
L483	6200010680	S.COL C2520C-R22G-A (0.22U)	T	9.2/38.4
L484	6200003711	S.COL NLV25T-2R7J	B	9.9/73.8
L485	6200003711	S.COL NLV25T-2R7J	B	10.3/71.1
L486	6200003711	S.COL NLV25T-2R7J	B	11.4/34.3
L487	6200003711	S.COL NLV25T-2R7J	B	15.6/36.2
L520	6200007790	S.COL LQW2BHN1R15J03L	T	19.1/25.4
L521	6200007740	S.COL LQW2BHN47NJ03L	T	14.8/24.1
L550	6140003930	COL LR-492		
L580	6190001740	COL #E544EN-100027		
L600	6140003210	S.COL LR-358	T	35.1/12.5
L601	6140003210	S.COL LR-358	T	49.1/12.5
L611	6200010770	S.COL C2520C-R68G-A	T	34.9/67
L612	6200011450	S.COL C2520C-R39G-A	T	38.6/3.2
L613	6200010740	S.COL C2520C-R27G-A	T	31.3/5.8
L620	6200005521	S.COL NLV25T-470J	T	23.7/3.4
L640	6200010970	S.COL C2520C-1R8G-A (1.8U)	T	48/5.1
L641	6200002041	S.COL NLV25T-101J	B	32.2/5.5
L642	6200002041	S.COL NLV25T-101J	B	52.3/6.8
L702	6200010950	S.COL C2520C-1R5G-A (1.5U)	T	79.5/5.8
L703	6200010970	S.COL C2520C-1R8G-A (1.8U)	T	68.9/3.7
L704	6200010810	S.COL C2520C-2R2G-A	T	77.5/10.6
L730	6200001920	S.COL ELJNC R15K-F	T	51.2/20.9
L731	6200003290	S.COL ELJNC R12K-F	T	50.5/25.2
L732	6200003290	S.COL ELJNC R12K-F	T	44.5/24.7
L805	6200005011	S.COL NLV25T-100J	T	156.5/36
L1011	6200003711	S.COL NLV25T-2R7J	T	62.7/9.8
L1012	6200005011	S.COL NLV25T-100J	T	68.8/14.5
L1013	6200005011	S.COL NLV25T-100J	B	65.5/15.4
L1021	6200003941	S.COL NLV25T-5R6J	T	71.9/21.9
L1022	6200002861	S.COL NLV25T-4R7J	T	64.7/23.2
L1023	6200005011	S.COL NLV25T-100J	B	64.9/20.1
L1030	6190001750	S.COL #836BN-0541TY	T	63.9/36.8
L1032	6200005011	S.COL NLV25T-100J	B	62/34.4
L1200	6200003520	S.COL ELJFB 102K-F	T	99.7/45.5
L1250	6140003210	S.COL LR-358	T	99.1/38.3
L1251	6140003210	S.COL LR-358	T	99/18.3
L1252	6140003210	S.COL LR-358	T	85.1/38.3
L1253	6140003210	S.COL LR-358	T	85/18.3
L1310	6200003261	S.COL NLV32T-101J	T	80.1/30.2
L1311	6200003261	S.COL NLV32T-101J	B	88.8/32.1
L1312	6200010800	S.COL C2520C-4R7G-A	T	88.8/25.7
L1313	6200003261	S.COL NLV32T-101J	B	88.8/25.1
R1	7030003640	S.RES ERJ3GEYJ 473 V (47 k)	T	114.1/91.7
R2	7030003480	S.RES ERJ3GEYJ 222 V (2.2 k)	T	112.1/90.2
R3	7030003560	S.RES ERJ3GEYJ 103 V (10 k)	T	114.2/88.1
R4	7030003620	S.RES ERJ3GEYJ 333 V (33 k)	T	114.2/89.3
R20	7030003320	S.RES ERJ3GEYJ 101 V (100)	T	143.5/73.2
R21	7030003320	S.RES ERJ3GEYJ 101 V (100)	T	145.1/96.5
R22	7030003320	S.RES ERJ3GEYJ 101 V (100)	B	104.6/82.4
R23	7030003320	S.RES ERJ3GEYJ 101 V (100)	T	104.4/97.8
R30	7030003200	S.RES ERJ3GEYJ 100 V (10)	B	140.3/66.8
R31	7030003530	S.RES ERJ3GEYJ 562 V (5.6 k)	T	144/59.5
R32	7030003440	S.RES ERJ3GEYJ 102 V (1 k)	T	144/60.7
R33	7030004030	S.RES ERJ3GEYJ 5R6 V (5.6)	B	131/66.8
R34	7030003280	S.RES ERJ3GEYJ 470 V (47)	B	138.8/62.7
R35	7030003240	S.RES ERJ3GEYJ 220 V (22)	T	133.8/58.9
R50	7030003280	S.RES ERJ3GEYJ 470 V (47)	T	139.1/97.6
R51	7030003200	S.RES ERJ3GEYJ 100 V (10)	B	132.5/91.1
R53	7030003440	S.RES ERJ3GEYJ 102 V (1 k)	B	129.5/84.3
R54	7030003280	S.RES ERJ3GEYJ 470 V (47)	B	123.7/93.8
R55	7030003510	S.RES ERJ3GEYJ 392 V (3.9 k)	B	12

[RF-A UNIT]

REF NO.	ORDER NO.	DESCRIPTION	M.	H/V LOCATION
R111	7030003280	S.RES ERJ3GEYJ 470 V (47)	B	88.6/90.7
R130	7030000010	S.RES MCR10EZHJ JPW (000)	T	85.8/87.9
R131	7030003800	S.RES ERJ3GEYJ 105 V (1 M)	T	74.3/94.9
R132	7030003520	S.RES ERJ3GEYJ 472 V (4.7 k)	T	80/97
R134	7030003250	S.RES ERJ3GEYJ 270 V (27)	T	70.9/77.3
R135	7030003680	S.RES ERJ3GEYJ 104 V (100 k)	T	69.8/98.4
R136	7310004860	S.TRI EVM-3YSX50 B53 (502)	T	85.5/94.6
R137	7030003680	S.RES ERJ3GEYJ 104 V (100 k)	B	67/96.6
R139	7030003520	S.RES ERJ3GEYJ 472 V (4.7 k)	T	78/95.2
R141	7030007680	S.RES ERJ8ENF 47R0V (47)	T	62.4/98.2
R142	7030003400	S.RES ERJ3GEYJ 471 V (470)	B	94.7/77.7
R143	7030007680	S.RES ERJ8ENF 47R0V (47)	T	61/93
R150	7030003560	S.RES ERJ3GEYJ 103 V (10 k)	B	35.4/86.5
R151	7030003440	S.RES ERJ3GEYJ 102 V (1 k)	T	36.6/82.1
R161	7030003640	S.RES ERJ3GEYJ 473 V (47 k)	T	83/94.8
R170	7030009620	S.RES ERJ12VJ120U (12)	B	49.6/95.7
R171	7030003280	S.RES ERJ3GEYJ 470 V (47)	T	48.4/93
R173	7030007180	S.RES ERJ12VJ150U (15)	B	40.4/92.8
R175	7030004040	S.RES ERJ3GEYJ 4R7 V (4.7)	T	41.9/94.1
R176	7030006240	S.RES ERJ12VJ181U (18.1)	B	34.2/93.1
R177	7030007850	S.RES ERJ8ENF 1001V (1 k)	T	34.1/91.2
R190	7030004040	S.RES ERJ3GEYJ 4R7 V (4.7)	T	33.8/93.4
R191	7030003480	S.RES ERJ3GEYJ 222 V (2.2 k)	T	35/94.8
R192	7030003470	S.RES ERJ3GEYJ 182 V (1.8 k)	T	37.1/95.5
R193	7030006070	S.RES ERJ12VJ101U (100)	B	26.6/93
R194	7030004040	S.RES ERJ3GEYJ 4R7 V (4.7)	T	27.1/94.4
R195	7030003280	S.RES ERJ3GEYJ 470 V (47)	T	36.1/87.1
R196	7030003480	S.RES ERJ3GEYJ 222 V (2.2 k)	T	28.8/81.5
R197	7030003460	S.RES ERJ3GEYJ 152 V (1.5 k)	T	27.6/81.5
R198	7030003420	S.RES ERJ3GEYJ 681 V (680)	B	25/87.7
R199	7030003200	S.RES ERJ3GEYJ 100 V (10)	T	25.1/86.1
R200	7030003280	S.RES ERJ3GEYJ 470 V (47)	T	24.4/91
R210	7030003440	S.RES ERJ3GEYJ 102 V (1 k)	B	63.7/64
R211	7030003440	S.RES ERJ3GEYJ 102 V (1 k)	B	65.6/61.9
R214	7030003280	S.RES ERJ3GEYJ 470 V (47)	B	52.3/63.2
R290	7030003370	S.RES ERJ3GEYJ 271 V (270)	T	92.1/61.6
R291	7030003230	S.RES ERJ3GEYJ 180 V (18)	T	91.3/63.5
R292	7030003370	S.RES ERJ3GEYJ 271 V (270)	T	90.6/61.6
R321	7030003320	S.RES ERJ3GEYJ 101 V (100)	T	60.5/60.2
R322	7030003320	S.RES ERJ3GEYJ 101 V (100)	B	67.7/57.6
R324	7030003860	S.RES ERJ3GE JPW V	T	69.1/59.8
R350	7030003560	S.RES ERJ3GEYJ 103 V (10 k)	T	56.8/37
R351	7030003560	S.RES ERJ3GEYJ 103 V (10 k)	T	56.8/33.2
R380	7030003440	S.RES ERJ3GEYJ 102 V (1 k)	B	29.4/71.4
R381	7030003440	S.RES ERJ3GEYJ 102 V (1 k)	B	26.6/70.1
R382	7030003440	S.RES ERJ3GEYJ 102 V (1 k)	B	26.6/75.3
R383	7030003440	S.RES ERJ3GEYJ 102 V (1 k)	B	29.5/76.9
R460	7030003400	S.RES ERJ3GEYJ 471 V (470)	T	25.4/72.2
R461	7030003400	S.RES ERJ3GEYJ 471 V (470)	T	22.4/35
R480	7030003380	S.RES ERJ3GEYJ 331 V (330)	B	13/73.8
R481	7030003380	S.RES ERJ3GEYJ 331 V (330)	B	13.6/71.7
R482	7030003380	S.RES ERJ3GEYJ 331 V (330)	B	14.7/34.3
R483	7030003380	S.RES ERJ3GEYJ 331 V (330)	B	14.7/32.3
R484	7030003320	S.RES ERJ3GEYJ 101 V (100)	B	6.5/74.2
R485	7030003320	S.RES ERJ3GEYJ 101 V (100)	B	7.1/70.8
R486	7030003320	S.RES ERJ3GEYJ 101 V (100)	B	18.1/36.4
R487	7030003320	S.RES ERJ3GEYJ 101 V (100)	B	9/35.8
R500	7030003440	S.RES ERJ3GEYJ 102 V (1 k)	B	29.9/35
R501	7030003440	S.RES ERJ3GEYJ 102 V (1 k)	B	29.9/30.6
R502	7030003440	S.RES ERJ3GEYJ 102 V (1 k)	B	24/30.7
R503	7030003440	S.RES ERJ3GEYJ 102 V (1 k)	B	24/35
R550	7030003440	S.RES ERJ3GEYJ 102 V (1 k)	B	7.2/19.6
R551	7030003400	S.RES ERJ3GEYJ 471 V (470)	B	6.2/14.4
R552	7030003340	S.RES ERJ3GEYJ 151 V (150)	B	8/14
R553	7030003520	S.RES ERJ3GEYJ 472 V (4.7 k)	B	4.4/14
R554	7030003550	S.RES ERJ3GEYJ 822 V (8.2 k)	B	3.6/18.2
R555	7030003200	S.RES ERJ3GEYJ 100 V (10)	B	10.2/14.7
R556	7030003300	S.RES ERJ3GEYJ 680 V (68)	B	14.4/16.4
R580	7030003200	S.RES ERJ3GEYJ 100 V (10)	B	13.8/12
R581	7030003520	S.RES ERJ3GEYJ 472 V (4.7 k)	B	10.7/8.4
R582	7030003550	S.RES ERJ3GEYJ 822 V (8.2 k)	B	14/6.8
R583	7030003690	S.RES ERJ3GEYJ 124 V (120 k)	B	12.3/3.8
R584	7030003200	S.RES ERJ3GEYJ 100 V (10)	B	22.8/12.8
R585	7030003200	S.RES ERJ3GEYJ 100 V (10)	B	16.6/8.9
R587	7030003280	S.RES ERJ3GEYJ 471 V (47)	B	18.7/5.7
R588	7510001671	S.TMR NTCG16 4BH 103JT	B	14/5.2
R611	7030003280	S.RES ERJ3GEYJ 470 V (47)	T	32.4/2.3
R620	7030003320	S.RES ERJ3GEYJ 101 V (100)	T	26.9/3.2
R641	7030003280	S.RES ERJ3GEYJ 470 V (47)	B	35.2/5.5
R645	7030003490	S.RES ERJ3GEYJ 272 V (2.7 k)	T	45.8/4.2
R671	7030003200	S.RES ERJ3GEYJ 100 V (10)	T	55.9/4.4
R672	7030003600	S.RES ERJ3GEYJ 223 V (22 k)	T	55.2/6.7
R673	7030003340	S.RES ERJ3GEYJ 151 V (150)	T	60.3/8.8
R674	7030003340	S.RES ERJ3GEYJ 151 V (150)	B	56.7/8.8
R704	7030003440	S.RES ERJ3GEYJ 102 V (1 k)	B	59.7/5.1
R705	7030003440	S.RES ERJ3GEYJ 102 V (1 k)	B	62/8.5
R730	7030003370	S.RES ERJ3GEYJ 271 V (270)	T	46.9/18.4
R731	7030003230	S.RES ERJ3GEYJ 180 V (18)	T	50.8/18.6
R732	7030003370	S.RES ERJ3GEYJ 271 V (270)	T	47.4/19.6
R733	7030003330	S.RES ERJ3GEYJ 121 V (120)	T	38.1/25.6
R734	7030003320	S.RES ERJ3GEYJ 101 V (100)	T	38.1/20
R735	7030003560	S.RES ERJ3GEYJ 103 V (10 k)	T	40.9/24.8
R736	7030003480	S.RES ERJ3GEYJ 222 V (2.2 k)	T	38.1/22.7
R737	7030003370	S.RES ERJ3GEYJ 271 V (270)	T	35.9/23.5
R738	7030003230	S.RES ERJ3GEYJ 180 V (18)	T	35.1/21.4
R739	7030003370	S.RES ERJ3GEYJ 271 V (270)	T	34.4/23.5
R800	7030003440	S.RES ERJ3GEYJ 102 V (1 k)	T	120.3/10.4
R801	7030003440	S.RES ERJ3GEYJ 102 V (1 k)	T	121.5/10.4
R802	7030003440	S.RES ERJ3GEYJ 102 V (1 k)	T	122.7/10.4
R803	7030003280	S.RES ERJ3GEYJ 470 V (47)	T	137.1/46.5
R804	7030003280	S.RES ERJ3GEYJ 470 V (47)	T	140.3/44.4
R805	7030003280	S.RES ERJ3GEYJ 470 V (47)	T	140.3/45.8
R806	7030003280	S.RES ERJ3GEYJ 470 V (47)	T	137.1/49.3
R807	7030003280	S.RES ERJ3GEYJ 470 V (47)	T	140.3/50

[RF-A UNIT]

REF NO.	ORDER NO.	DESCRIPTION	M.	H/V LOCATION
R808	7030003280	S.RES ERJ3GEYJ 470 V (47)	T	137.1/50.7
R809	7030003280	S.RES ERJ3GEYJ 470 V (47)	T	140.3/51.4
R810	7030003280	S.RES ERJ3GEYJ 470 V (47)	T	140.3/48.6
R811	7030003280	S.RES ERJ3GEYJ 470 V (47)	T	137.1/47.9
R812	7030003280	S.RES ERJ3GEYJ 470 V (47)	T	140.3/47.2
R813	7030003280	S.RES ERJ3GEYJ 470 V (47)	T	137.1/43.7
R814	7030003280	S.RES ERJ3GEYJ 470 V (47)	T	137.1/45.1
R815	7030003280	S.RES ERJ3GEYJ 470 V (47)	T	140.3/43
R816	7030003280	S.RES ERJ3GEYJ 470 V (47)	T	137.1/42.3
R817	7030003640	S.RES ERJ3GEYJ 473 V (47 k)	T	151.9/36.2
R818	7030003640	S.RES ERJ3GEYJ 473 V (47 k)	B	156.7/41.1
R819	7030003640	S.RES ERJ3GEYJ 473 V (47 k)	B	151.2/52.7
R820	7030003640	S.RES ERJ3GEYJ 473 V (47 k)	B	152.5/41.9
R821	7030003440	S.RES ERJ3GEYJ 102 V (1 k)	B	119.1/10.4
R850	7030003370	S.RES ERJ3GEYJ 271 V (270)	B	151.1/13.5
R900	7030003860	S.RES ERJ3GE JPW V	B	124.1/8.2
R904	7030003860	S.RES ERJ3GE JPW V	T	147.1/28
R905	7030003320	S.RES ERJ3GEYJ 101 V (100)	T	137.1/13.3
R907	7030003560	S.RES ERJ3GEYJ 103 V (10 k)	B	143.2/19.7
R908	7030003320	S.RES ERJ3GEYJ 101 V (100)	T	148.4/21.7
R950	7030003370	S.RES ERJ3GEYJ 271 V (270)	T	136.7/20.4
R951	7030003440	S.RES ERJ3GEYJ 102 V (1 k)	T	135.4/20.4
R952	7030003800	S.RES ERJ3GEYJ 105 V (1 M)	T	129.1/23.6
R953	7030003360	S.RES ERJ3GEYJ 221 V (220)	T	132.6/26
R954	7030003360	S.RES ERJ3GEYJ 221 V (220)	T	134.9/23.5
R955	7030003560	S.RES ERJ3GEYJ 103 V (10 k)	T	127.1/32.8
R956	7030003560	S.RES ERJ3GEYJ 103 V (10 k)	T	136.1/31.4
R957	7030003520	S.RES ERJ3GEYJ 472 V (4.7 k)	T	127.1/29.6
R958	7030003560	S.RES ERJ3GEYJ 103 V (10 k)	T	131.6/35
R959	7030003520	S.RES ERJ3GEYJ 472 V (4.7 k)	T	137/29.5
R960	7030003560	S.RES ERJ3GEYJ 103 V (10 k)	T	127.8/35
R961	7030003320	S.RES ERJ3GEYJ 101 V (100)	T	134.9/12.3
R962	7030003320	S.RES ERJ3GEYJ 101 V (100)	T	127.2/21.8
R963	7030003860	S.RES ERJ3GE JPW V	T	131.8/12.3
R964	7030003440	S.RES ERJ3GEYJ 102 V (1 k)	T	129.9/12.3
R965	7030003320	S.RES ERJ3GEYJ 101 V (100)	T	136.1/34.1
R966	7030003320	S.RES ERJ3GEYJ 101 V (100)	T	131.9/328
R1000	7030009691	S.RES ERA3YED 101V (100)	B	143.5/25
R1001	7030003320	S.RES ERJ3GEYJ 101 V (100)	T	147.3/34
R1002	7030010390	S.RES ERA3YED 821V (820)	B	141.5/29.3
R1003	7030003320	S.RES ERJ3GEYJ 101 V (100)	B	135.4/33.9
R1004	7030008061	S.RES ERA3YED 222V (2.2 k)	B	132.6/34.2
R1011	7030003480	S.RES ERJ3GEYJ 222 V (2.2 k)	T	66.2/11.7
R1012	7030003490	S.RES ERJ3GEYJ 272 V (2.7 k)	T	66/10.3
R1013	7030003230	S.RES ERJ3GEYJ 180 V (18)	T	70.6/11.4
R1014	7030003360	S.RES ERJ3GEYJ 221 V (220)	T	72.7/10.7
R1015	7030003380	S.RES ERJ3GEYJ 331 V (330)	T	70.7/14.8
R1021	7030003480	S.RES ERJ3GEYJ 222 V (2.2 k)	T	68.2/21.8
R1022	7030003490	S.RES ERJ3GEYJ 272 V (2.7 k)	T	70/21.6
R1023	7030003340	S.RES ERJ3GEYJ 151 V (150)	B	70.3/25.4
R1024	7030003380	S.RES ERJ3GEYJ 331 V (330)	T	64.1/21.2
R1031	7030003440	S.RES ERJ3GEYJ 102 V (1 k)	B	81/42.5
R1032	7030003320	S.RES ERJ3GEYJ 101 V (100)	T	76.6/40
R1033	7030003460	S.RES ERJ3GEYJ 152 V (1.5 k)	B	68/41.3
R1034	7030003640	S.RES ERJ3GEYJ 473 V (47 k)	B	81/44.1
R1035	7030003320	S.RES ERJ3GEYJ 101 V (100)	B	67/46
R1036	7030003860	S.RES ERJ3GE JPW V	B	68/42.8
R1037	7030003480	S.RES ERJ3GEYJ 222 V (2.2 k)	T	70.3/37.7
R1039	7030003640	S.RES ERJ3GEYJ 473 V (47 k)	B	81/45.6
R1040	7030003320	S.RES ERJ3GEYJ 101 V (100)	B	73.3/39.5
R1041	7030003600	S.RES ERJ3GEYJ 223 V (22 k)	B	69.9/39.7
R1042	7030003460	S.RES ERJ3GEYJ 152 V (1.5 k)	T	83.4/45.6
R1043	7030003510	S.RES ERJ3GEYJ 392 V (3.9 k)	T	80.5/45.6
R1044	7030003610	S.RES ERJ3GEYJ 273 V (27 k)	B	71.3/36.4
R1045	7030003320	S.RES ERJ3GEYJ 101 V (100)	B	74.3/27.7
R1046	7030003690	S.RES ERJ3GEYJ 124 V (120 k)	B	70.5/31.8
R1048	7030003560	S.RES ERJ3GEYJ 103 V (10 k)	T	62.7/45
R1049	7030005871	S.RES ERA3YKD 104V (100 k)	B	72.1/34.4
R1050	7030008051	S.RES ERA3YKD 184V (180 k)	B	75.7/36
R1051	7030003480	S.RES ERJ3GEYJ 222 V (2.2 k)	B	76.8/34.4
R1053	7030008061	S.RES ERA3YED 222V (2.2 k)	B	67.8/31
R1054	7030006461	S.RES ERA3YED 152V (1.5 k)	B	68.5/29
R1060	7030005321	S.RES ERA3YED 103V (10 k)	B	127.2/38.3
R1061	7030005321	S.RES ERA3YED 103V (10 k)	B	127.3/26.1
R1062	7030005321	S.RES ERA3YED 103V (10 k)	B	124.3/38.3
R1063	7030005321	S.RES ERA3YED 103V (10 k)	B	124.3/26.1
R1064				

[RF-A UNIT]

REF NO.	ORDER NO.	DESCRIPTION	M.	H/V LOCATION
R1210	7030009851	S.RES ERA3YED 271V (270)	B	92.8/44.6
R1211	7030009851	S.RES ERA3YED 271V (270)	B	95.5/13.6
R1212	7030009841	S.RES ERA3YHD 330V (33)	B	86.3/40.8
R1213	7030009841	S.RES ERA3YHD 330V (33)	B	86.3/16
R1214	7030010980	S.RES ERA3YHD 470V (47)	B	86.3/36.5
R1215	7030010980	S.RES ERA3YHD 470V (47)	B	86.3/20.1
R1310	7030003320	S.RES ERJ3GEYJ 101 V (100)	B	99.4/32.7
R1311	7030003320	S.RES ERJ3GEYJ 101 V (100)	B	98.4/24.1
R1312	7030003320	S.RES ERJ3GEYJ 101 V (100)	B	96.9/32
R1313	7030003320	S.RES ERJ3GEYJ 101 V (100)	T	89/28.9
R1314	7030003680	S.RES ERJ3GEYJ 104 V (100 k)	B	94.9/32.7
R1315	7030003400	S.RES ERJ3GEYJ 471 V (470)	B	96.2/25.2
R1316	7030003630	S.RES ERJ3GEYJ 393 V (39 k)	B	99.6/30.2
R1317	7030003280	S.RES ERJ3GEYJ 470 V (47)	B	100.1/25.7
R1318	7030003220	S.RES ERJ3GEYJ 150 V (15)	B	102.6/27.9
R1319	7030003380	S.RES ERJ3GEYJ 331 V (330)	B	101.8/25.7
R1320	7030003380	S.RES ERJ3GEYJ 331 V (330)	B	103.5/25.7
R1321	7030003560	S.RES ERJ3GEYJ 103 V (10 k)	T	89/30.4
C1	4030007170	S.CER C1608 CH 1H 221J-T	T	108.9/90.2
C2	4030011600	S.CER C1608 JB 1E 104K-T	T	114.2/90.5
C20	4030006900	S.CER C1608 JB 1H 103K-T	T	148/96.5
C21	4030006900	S.CER C1608 JB 1H 103K-T	T	148/80.6
C22	4030006900	S.CER C1608 JB 1H 103K-T	T	114.3/57.3
C23	4030006900	S.CER C1608 JB 1H 103K-T	T	110.7/57.3
C24	4030006900	S.CER C1608 JB 1H 103K-T	T	117.4/72.4
C25	4030006860	S.CER C1608 JB 1H 102K-T	T	125.5/69.3
C26	4030006860	S.CER C1608 JB 1H 102K-T	T	109/61.6
C27	4030006860	S.CER C1608 JB 1H 102K-T	T	118.2/74.3
C30	4030018960	S.CER C3216 JB 1C 106MT-N	B	126.5/56.7
C31	4030017490	S.CER C1608 JB 1A 105K-T	T	143.5/68.9
C32	4030006990	S.CER C1608 CH 1H 080D-T	B	137.6/66.8
C33	4030006860	S.CER C1608 JB 1H 102K-T	T	144/61.9
C34	4030010210	S.CER C3216 JB 1C 105M-T	B	129.2/59.6
C35	4030017490	S.CER C1608 JB 1A 105K-T	T	140.8/57.8
C36	4030006860	S.CER C1608 JB 1H 102K-T	B	125.8/62.1
C37	4030017490	S.CER C1608 JB 1A 105K-T	T	137.2/57.8
C38	4030006860	S.CER C1608 JB 1H 102K-T	T	133.8/57.7
C39	4030018810	S.CER C3216 CH 1H 333J-T	B	119/66
C40	4030007090	S.CER C1608 CH 1H 470J-T	B	113.2/66.5
C41	4550006120	S.TAN TEESVA OG 226M8R	T	141.8/54.9
C42	4550006120	S.TAN TEESVA OG 226M8R	T	136.1/55
C50	4030007100	S.CER C1608 CH 1H 560J-T	B	141.1/77.6
C51	4030017490	S.CER C1608 JB 1A 105K-T	T	137/87
C53	4030017490	S.CER C1608 JB 1A 105K-T	T	137/77.7
C55	4030006860	S.CER C1608 JB 1H 102K-T	B	126.9/86.8
C56	4030017490	S.CER C1608 JB 1A 105K-T	B	126.6/86.8
C58	4030009510	S.CER C1608 CH 1H 010B-T	B	123.7/90.5
C59	4030006860	S.CER C1608 JB 1H 102K-T	B	123.8/85.6
C60	4030010210	S.CER C3216 JB 1C 105M-T	B	123.6/83.7
C62	4030010210	S.CER C3216 JB 1C 105M-T	T	117.6/86.2
C63	4030007010	S.CER C1608 CH 1H 100D-T	B	116.4/82.4
C72	4030006860	S.CER C1608 JB 1H 102K-T	B	127/71.9
C73	4030017490	S.CER C1608 JB 1A 105K-T	B	128.8/71.9
C75	4030009510	S.CER C1608 CH 1H 010B-T	B	123.8/75.8
C76	4030006860	S.CER C1608 JB 1H 102K-T	B	122.7/70
C77	4030010210	S.CER C3216 JB 1C 105M-T	B	123.4/67.5
C79	4030010210	S.CER C3216 JB 1C 105M-T	T	117.6/80
C80	4030018960	S.CER C3216 JB 1C 106MT-N	B	117.6/88.7
C90	4030006900	S.CER C1608 JB 1H 103K-T	T	105.2/81.9
C91	4030006900	S.CER C1608 JB 1H 103K-T	T	107/97.8
C110	4030007080	S.CER C1608 CH 1H 390J-T	T	98.6/88.7
C111	4030007030	S.CER C1608 CH 1H 150J-T	T	98.4/84.1
C112	4030007130	S.CER C1608 CH 1H 101J-T	T	94.6/85.6
C113	4030007060	S.CER C1608 CH 1H 270J-T	T	97.7/82.2
C114	4030007080	S.CER C1608 CH 1H 390J-T	B	86.6/88.7
C115	4030007170	S.CER C1608 CH 1H 221J-T	B	83.5/88.7
C116	4030007130	S.CER C1608 CH 1H 101J-T	T	92.6/81.5
C117	4030007100	S.CER C1608 CH 1H 560J-T	B	85.1/87.2
C119	4030007050	S.CER C1608 CH 1H 220J-T	T	98.6/89.9
C120	4030007020	S.CER C1608 CH 1H 120J-T	T	94.6/87.1
C130	4030006860	S.CER C1608 JB 1H 102K-T	T	73.1/95.8
C131	4030006900	S.CER C1608 JB 1H 103K-T	B	88.2/73.9
C132	4030007140	S.CER C1608 CH 1H 121J-T	B	78.1/75.1
C133	4030006900	S.CER C1608 JB 1H 103K-T	T	72.6/98.4
C134	4030007170	S.CER C1608 CH 1H 221J-T	B	78.1/76.6
C135	4030007110	S.CER C1608 CH 1H 680J-T	T	67.1/74.3
C136	4030006900	S.CER C1608 JB 1H 103K-T	B	69.9/96.6
C137	4030007040	S.CER C1608 CH 1H 180J-T	T	71/67.4
C138	4030006900	S.CER C1608 JB 1H 103K-T	T	66.4/98.1
C139	4030006900	S.CER C1608 JB 1H 103K-T	T	61.7/89.8
C144	4030007020	S.CER C1608 CH 1H 120J-T	T	67.1/73.1
C146	4030011600	S.CER C1608 JB 1E 104K-T	T	81.7/94.8
C150	4030011600	S.CER C1608 JB 1E 104K-T	B	50.6/86.5
C151	4030006880	S.CER C1608 JB 1H 472K-T	B	32.8/81.7
C152	4030011600	S.CER C1608 JB 1E 104K-T	T	36.1/88.3
C170	4030006900	S.CER C1608 JB 1H 103K-T	T	50.7/92
C171	4030009530	S.CER C1608 CH 1H 030B-T	T	48.4/95.7
C172	4030011600	S.CER C1608 JB 1E 104K-T	T	50.7/97.6
C174	4030011600	S.CER C1608 JB 1E 104K-T	T	39.6/94.6
C175	4030011600	S.CER C1608 JB 1E 104K-T	B	43.3/89.2
C190	4030007090	S.CER C1608 CH 1H 470J-T	T	29.5/91.5
C191	4030006900	S.CER C1608 JB 1H 103K-T	T	30.7/91.5
C192	4030011600	S.CER C1608 JB 1E 104K-T	T	37.1/93.1
C193	4030006900	S.CER C1608 JB 1H 103K-T	T	37.1/94.3
C194	4030007050	S.CER C1608 CH 1H 220J-T	T	25.9/94.4
C195	4030006900	S.CER C1608 JB 1H 103K-T	B	30.1/93.6
C196	4030011600	S.CER C1608 JB 1E 104K-T	T	26.3/91
C197	4030006900	S.CER C1608 JB 1H 103K-T	T	25.1/82.2
C198	4030007010	S.CER C1608 CH 1H 100D-T	T	25.1/87.3
C199	4030011600	S.CER C1608 JB 1E 104K-T	T	25.1/88.5
C210	4030006900	S.CER C1608 JB 1H 103K-T	T	68.3/67.4
C211	4030007110	S.CER C1608 CH 1H 680J-T	T	72.1/65.8

[RF-A UNIT]

REF NO.	ORDER NO.	DESCRIPTION	M.	H/V LOCATION
C212	4030006860	S.CER C1608 JB 1H 102K-T	B	67.3/66
C213	4030006860	S.CER C1608 JB 1H 102K-T	B	67.3/63.7
C214	4030006900	S.CER C1608 JB 1H 103K-T	T	63.9/66.3
C215	4030007120	S.CER C1608 CH 1H 820J-T	B	55.1/73.3
C216	4030007120	S.CER C1608 CH 1H 820J-T	B	55.2/65.2
C217	4030011340	S.CER C1608 CH 1H 471J-T	T	72.1/64.6
C218	4030007110	S.CER C1608 CH 1H 680J-T	T	69.5/64.6
C290	4030007100	S.CER C1608 CH 1H 560J-T	T	89.3/61.6
C291	4030007000	S.CER C1608 CH 1H 090D-T	T	88.6/63.5
C292	4030007120	S.CER C1608 CH 1H 820J-T	T	87.9/61.6
C293	4030007050	S.CER C1608 CH 1H 220J-T	T	86.4/62.7
C294	4030007080	S.CER C1608 CH 1H 390J-T	T	84.8/59.3
C295	4030007100	S.CER C1608 CH 1H 560J-T	T	80.9/61.3
C296	4030011340	S.CER C1608 CH 1H 471J-T	T	77.9/59.1
C297	4030007070	S.CER C1608 CH 1H 330J-T	T	75.9/59.8
C298	4030007150	S.CER C1608 CH 1H 151J-T	T	75.9/58.5
C299	4030007110	S.CER C1608 CH 1H 680J-T	T	73.3/59.8
C316	4510008540	S.ELE EEE1CA100SR	T	141.3/5.1
C317	4030011600	S.CER C1608 JB 1E 104K-T	B	141/6
C318	4030011600	S.CER C1608 JB 1E 104K-T	B	141/3.4
C319	4510008500	S.ELE EEE1CA101WP	T	147.3/5.2
C321	4030011600	S.CER C1608 JB 1E 104K-T	T	59.7/62.1
C322	4030011600	S.CER C1608 JB 1E 104K-T	B	64/57.6
C323	4030007000	S.CER C1608 CH 1H 090D-T	T	60.5/54.9
C324	4030006900	S.CER C1608 JB 1H 103K-T	T	64.1/55.6
C380	4030006900	S.CER C1608 JB 1H 103K-T	T	32/76.9
C381	4030006860	S.CER C1608 JB 1H 102K-T	T	30.2/68.5
C382	4030006860	S.CER C1608 JB 1H 102K-T	T	28.4/68.5
C383	4030006860	S.CER C1608 JB 1H 102K-T	T	26.6/75.3
C384	4030006860	S.CER C1608 JB 1H 102K-T	T	32/75.3
C400	4030006900	S.CER C1608 JB 1H 103K-T	T	42.2/68
C401	4030009910	S.CER C1608 CH 1H 040B-T	T	44.5/56.4
C402	4030007030	S.CER C1608 CH 1H 150J-T	T	40.8/49.6
C403	4030009910	S.CER C1608 CH 1H 040B-T	T	43.9/46.6
C404	4030006900	S.CER C1608 JB 1H 103K-T	T	42.8/34.9
C405	4030007060	S.CER C1608 CH 1H 270J-T	T	44.5/57.6
C406	4030011770	S.CER C1608 CH 1H 060B-T	T	40.8/53.4
C407	4030007060	S.CER C1608 CH 1H 270J-T	T	43.9/45.4
C420	4030006900	S.CER C1608 JB 1H 103K-T	T	33.1/70.2
C421	4030009920	S.CER C1608 CH 1H 050B-T	T	35.9/58.6
C422	4030007020	S.CER C1608 CH 1H 120J-T	T	35.9/59.8
C423	4030009920	S.CER C1608 CH 1H 050B-T	T	32.2/55.6
C424	4030009920	S.CER C1608 CH 1H 050B-T	T	32.2/51.8
C425	4030009920	S.CER C1608 CH 1H 050B-T	T	35.3/48.8
C426	4030007020	S.CER C1608 CH 1H 120J-T	T	35.3/47.6
C427	4030006900	S.CER C1608 JB 1H 103K-T	T	35.6/36.6
C440	4030006900	S.CER C1608 JB 1H 103K-T	T	26/68.5
C441	4030006900	S.CER C1608 CH 1H 070D-T	T	27.3/57.6
C442	4030011770	S.CER C1608 CH 1H 060B-T	T	27.3/56.4
C443	4030011770	S.CER C1608 CH 1H 060B-T	T	23.5/53.4
C444	4030009540	S.CER C1608 CH 1H 1R5B-T	T	23.5/49.6
C445	4030011770	S.CER C1608 CH 1H 060B-T	T	26.7/46.6
C446	4030006900	S.CER C1608 CH 1H 070D-T	T	26.7/45.4
C447	4030006900	S.CER C1608 JB 1H 103K-T	T	25.6/35.2
C460	4030006900	S.CER C1608 JB 1H 103K-T	T	22.5/73.8
C461	4030006900	S.CER C1608 JB 1H 103K-T	T	16.4/70.7
C462	4030009910	S.CER C1608 CH 1H 040B-T	T	18.7/58.6
C463	4030009510	S.CER C1608 CH 1H 010B-T	T	15/55.6
C464	4030009910	S.CER C1608 CH 1H 040B-T	T	18.1/48.8
C465	4030006900	S.CER C1608 JB 1H 103K-T	T	18.4/36.6
C466	4030006900	S.CER C1608 JB 1H 103K-T	T	20.8/30.6
C467	4030011770	S.CER C1608 CH 1H 060B-T	T	18.7/59.8
C468	4030009570	S.CER C1608 CH 1H 0R3B-T	T	15/51.8
C469	4030011770	S.CER C1608 CH 1H 060B-T	T	18.1/47.6
C480	4030006860	S.CER C1608 JB 1H 102K-T	B	9.6/75.8
C481	4030006860	S.CER C1608 JB 1H 102K-T	B	10/68.9
C482	4030006900	S.CER C1608 JB 1H 103K-T	T	11.6/68.1
C483	4030009560	S.CER C1608 CH 1H R75B-T	T	10.1/56.4
C484	4030007050	S.CER C1608 CH 1H 220J-T	T	7.7/63.4
C485	4030009560	S.CER C1608 CH 1H R75B-T	T	9.5/46.6
C486	4030006900	S.CER C1608 JB 1H 103K-T	T	11.3/35.2
C487	4030006860	S.CER C1608 JB 1H 102K-T	B	11.9/32.3
C488	4030006860	S.CER C1608 JB 1H 102K-T	B	18.1/33.7
C490	4030007050	S.CER C1608 CH 1H 220J-T	T	11.9/40
C492	4030006900	S.CER C1608 JB 1H 103K-T	B	6.5/72.4
C493	4030			

[RF-A UNIT]

REF NO.	ORDER NO.	DESCRIPTION	M.	H/V LOCATION
C625	4030011600	S.CER C1608 JB 1E 104K-T	B	82.7/4.2
C626	4510008540	S.ELE EEE1CA100SR	T	93.2/5.4
C640	4030011600	S.CER C1608 JB 1E 104K-T	T	45.8/6.8
C642	4030007100	S.CER C1608 CH 1H 560J-T	T	43.3/4.2
C643	4510008540	S.ELE EEE1CA100SR	T	52/5.8
C644	4030006990	S.CER C1608 CH 1H 080D-T	T	44.5/4.2
C660	4030007100	S.CER C1608 CH 1H 560J-T	T	49.9/2.4
C671	4030007090	S.CER C1608 CH 1H 470J-T	T	58.6/4.4
C672	4030011600	S.CER C1608 JB 1E 104K-T	T	55.6/9
C673	4030011600	S.CER C1608 JB 1E 104K-T	T	58.4/9.1
C701	4030006900	S.CER C1608 JB 1H 103K-T	B	64.8/8.5
C705	4030006900	S.CER C1608 JB 1H 103K-T	B	58.9/7.4
C706	4030006900	S.CER C1608 JB 1H 103K-T	T	63.1/3.8
C707	4030006900	S.CER C1608 JB 1H 103K-T	T	63.1/7.6
C708	4030006900	S.CER C1608 JB 1H 103K-T	T	66.1/5
C709	4030007080	S.CER C1608 CH 1H 390J-T	T	66.6/2.9
C710	4030007110	S.CER C1608 CH 1H 680J-T	T	65.3/2.9
C730	4030007120	S.CER C1608 CH 1H 820J-T	T	47.4/20.8
C731	4030007020	S.CER C1608 CH 1H 120J-T	T	49.3/21.3
C732	4030007140	S.CER C1608 CH 1H 121J-T	T	47.4/22
C733	4030007070	S.CER C1608 CH 1H 330J-T	T	50.5/23.3
C734	4030007110	S.CER C1608 CH 1H 680J-T	T	48/24.7
C735	4030011600	S.CER C1608 JB 1E 104K-T	T	38.1/24.1
C736	4030007050	S.CER C1608 CH 1H 220J-T	T	46.6/24.7
C737	4030007110	S.CER C1608 CH 1H 680J-T	T	42.5/24.8
C738	4030006900	S.CER C1608 JB 1H 103K-T	T	38.1/18.7
C740	4030006900	S.CER C1608 JB 1H 103K-T	T	38.1/21.4
C800	4030006900	S.CER C1608 JB 1H 103K-T	T	108.3/11.1
C801	4030011340	S.CER C1608 CH 1H 471J-T	B	116.3/8.3
C802	4030006900	S.CER C1608 JB 1H 103K-T	B	150.9/9.1
C803	4030011340	S.CER C1608 CH 1H 471J-T	B	118.5/8.3
C804	4030006900	S.CER C1608 JB 1H 103K-T	T	151.6/35
C805	4030011340	S.CER C1608 CH 1H 471J-T	B	121.3/9.5
C806	4030011600	S.CER C1608 JB 1E 104K-T	T	155.6/46.8
C807	4030011600	S.CER C1608 JB 1E 104K-T	T	155.6/39
C850	4510008540	S.ELE EEE1CA100SR	T	154.6/12.1
C851	4030011600	S.CER C1608 JB 1E 104K-T	B	154.7/11.7
C852	4030011600	S.CER C1608 JB 1E 104K-T	B	154.4/18.3
C853	4510008500	S.ELE EEE1CA101WP	T	153.9/18.2
C903	4030011600	S.CER C1608 JB 1E 104K-T	T	137.1/16
C905	4030011600	S.CER C1608 JB 1E 104K-T	B	142.5/21.6
C950	4030017810	S.CER C1608 CH 1H 102J-T	T	130.3/23.6
C951	4030011600	S.CER C1608 JB 1E 104K-T	T	133.6/12.3
C952	4030011600	S.CER C1608 JB 1E 104K-T	T	128.5/20.1
C956	4030011600	S.CER C1608 JB 1E 104K-T	T	137.3/34.1
C957	4030011600	S.CER C1608 JB 1E 104K-T	T	129.2/28
C1000	4030007050	S.CER C1608 CH 1H 220J-T	B	147.9/32
C1001	4030011600	S.CER C1608 JB 1E 104K-T	B	145.3/29.3
C1002	4510008500	S.ELE EEE1CA101WP	T	142.4/26.3
C1003	4510008500	S.ELE EEE1CA101WP	T	142.3/33.7
C1004	4030017870	S.CER C1608 CH 1H 681J-T	B	141.5/27.8
C1005	4030011600	S.CER C1608 JB 1E 104K-T	B	137.2/33.9
C1011	4030007110	S.CER C1608 CH 1H 680J-T	T	66/7.7
C1012	4030006900	S.CER C1608 JB 1H 103K-T	T	66/9
C1013	4030011600	S.CER C1608 JB 1E 104K-T	T	64.7/12.9
C1014	4030011600	S.CER C1608 JB 1E 104K-T	T	72.7/12.1
C1015	4030011600	S.CER C1608 JB 1E 104K-T	T	66.8/15.2
C1016	4030006900	S.CER C1608 JB 1H 103K-T	T	72/14.7
C1021	4030006900	S.CER C1608 JB 1H 103K-T	T	74.4/22.5
C1022	4030011600	S.CER C1608 JB 1E 104K-T	T	68.2/20.5
C1023	4030011600	S.CER C1608 JB 1E 104K-T	T	70.5/25.4
C1024	4030011600	S.CER C1608 JB 1E 104K-T	T	64.1/20
C1025	4030006900	S.CER C1608 JB 1H 103K-T	T	66.1/25.6
C1030	4510008540	S.ELE EEE1CA100SR	T	76.4/43.8
C1031	4030011600	S.CER C1608 JB 1E 104K-T	B	76.5/40.3
C1032	4030011600	S.CER C1608 JB 1E 104K-T	B	72.5/47.1
C1033	4510008540	S.ELE EEE1CA100SR	T	71.5/44.2
C1034	4030011600	S.CER C1608 JB 1E 104K-T	T	68.9/35.2
C1035	4030007120	S.CER C1608 CH 1H 820J-T	T	70.3/36.5
C1036	4510008500	S.ELE EEE1CA101WP	T	58.8/28
C1037	4030011600	S.CER C1608 JB 1E 104K-T	T	67.8/32.6
C1038	4030006860	S.CER C1608 JB 1H 102K-T	T	70.3/32
C1039	4030011600	S.CER C1608 JB 1E 104K-T	T	76.9/34.2
C1040	4030011600	S.CER C1608 JB 1E 104K-T	T	76.9/35.4
C1041	4030006900	S.CER C1608 JB 1H 103K-T	T	73.8/30.4
C1044	4030011600	S.CER C1608 JB 1E 104K-T	B	74.3/29.4
C1047	4030008880	S.CER C1608 JB 1H 223K-T	B	73.9/39
C1048	4510008540	S.ELE EEE1CA100SR	T	66.7/43.8
C1049	4030007130	S.CER C1608 CH 1H 101J-T	B	75.7/37.3
C1050	4030008880	S.CER C1608 JB 1H 223K-T	B	71.3/29.3
C1060	4030011600	S.CER C1608 JB 1E 104K-T	B	132/36
C1061	4030007150	S.CER C1608 CH 1H 151J-T	B	118.7/34.1
C1063	4030017870	S.CER C1608 CH 1H 681J-T	B	118.7/29.3
C1064	4030011330	S.CER C1608 CH 1H 391J-T	B	118.7/27.7
C1065	4510008500	S.ELE EEE1CA101WP	T	121.9/37.1
C1066	4030011600	S.CER C1608 JB 1E 104K-T	T	124.5/31.5
C1067	4030011600	S.CER C1608 JB 1E 104K-T	B	131.6/31.4
C1068	4510008500	S.ELE EEE1CA101WP	T	122.6/27.3
C1090	4030007050	S.CER C1608 CH 1H 220J-T	T	115.6/45
C1091	4030007050	S.CER C1608 CH 1H 220J-T	B	128.2/19.6
C1092	4030011600	S.CER C1608 JB 1E 104K-T	B	115.6/45.2
C1093	4030011600	S.CER C1608 JB 1E 104K-T	B	128.3/17.1
C1094	4510008540	S.ELE EEE1CA100SR	T	112.5/45.3
C1095	4510008540	S.ELE EEE1CA100SR	T	124.8/17.5
C1096	4510008540	S.ELE EEE1CA100SR	T	107.5/45.4
C1097	4030007110	S.CER C1608 CH 1H 680J-T	B	122.8/21.5
C1098	4030007110	S.CER C1608 CH 1H 680J-T	B	110/41.5
C1099	4510008540	S.ELE EEE1CA100SR	T	119.9/17.5
C1100	4030011600	S.CER C1608 JB 1E 104K-T	B	107.7/48.8
C1101	4030011600	S.CER C1608 JB 1E 104K-T	B	119.1/21.9
C1200	4030011600	S.CER C1608 JB 1E 104K-T	B	101.2/42.9
C1201	4510008540	S.ELE EEE1CA100SR	T	94.8/45.8
C1202	4030008880	S.CER C1608 JB 1H 223K-T	B	99.3/47.5
C1203	4030008880	S.CER C1608 JB 1H 223K-T	B	112.8/17.9

[RF-A UNIT]

REF NO.	ORDER NO.	DESCRIPTION	M.	H/V LOCATION
C1204	4030010760	S.CER C1608 CH 1H 331J-T	B	99.6/42.9
C1205	4030010760	S.CER C1608 CH 1H 331J-T	B	101.2/13.6
C1206	4030007010	S.CER C1608 CH 1H 100D-T	B	92.8/47.3
C1207	4030007010	S.CER C1608 CH 1H 100D-T	B	95.5/10.8
C1208	4030017480	S.CER C1608 JB 1A 474K-T	B	96.2/42.9
C1209	4030017480	S.CER C1608 JB 1A 474K-T	B	97.4/14.2
C1210	4030006900	S.CER C1608 JB 1H 103K-T	B	94.6/42.9
C1211	4030006900	S.CER C1608 JB 1H 103K-T	B	99.3/14.2
C1212	4550007660	S.TAN F931E105MAABMA	B	87.6/44.4
C1213	4550007660	S.TAN F931E105MAABMA	B	87.3/13.5
C1214	4030018640	S.CER C2012 CH 1H 103J-T	B	88.5/35.5
C1215	4030018640	S.CER C2012 CH 1H 103J-T	B	88.5/21
C1216	4030011600	S.CER C1608 JB 1E 104K-T	B	101.2/8.9
C1255	4030007120	S.CER C1608 CH 1H 820J-T	B	79.2/28.5
C1256	4030007120	S.CER C1608 CH 1H 820J-T	B	79.3/29.3
C1310	4030006900	S.CER C1608 JB 1H 103K-T	B	85.8/30.9
C1311	4030011600	S.CER C1608 JB 1E 104K-T	T	90.4/32.3
C1312	4030017810	S.CER C1608 CH 1H 102J-T	B	99.2/35.7
C1313	4030017810	S.CER C1608 CH 1H 102J-T	B	98.6/21.1
C1314	4610001970	S.TRI TZC3P200A110R00	T	85.5/29.3
C1315	4030007050	S.CER C1608 CH 1H 220J-T	T	85.5/25.8
C1316	4030006860	S.CER C1608 JB 1H 102K-T	B	96.2/28.2
C1317	4030011600	S.CER C1608 JB 1E 104K-T	B	94.2/24.7
C1318	4030006900	S.CER C1608 JB 1H 103K-T	B	102.2/30.2
C1319	4550007200	S.TAN F930J476MBABMA	B	91.3/28.4
C1320	4030006900	S.CER C1608 JB 1H 103K-T	B	93.6/32.3
RL20	6330001721	RLY ATN207-K1		
RL21	6330001721	RLY ATN207-K1		
RL90	6330001721	RLY ATN207-K1		
RL91	6330001721	RLY ATN207-K1		
J1	6510007020	CNR TMP-J01X-V6		
J2	6510007020	CNR TMP-J01X-V6		
J190	6510007020	CNR TMP-J01X-V6		
J210	6510007020	CNR TMP-J01X-V6		
J290	6510007020	CNR TMP-J01X-V6		
J500	6510007020	CNR TMP-J01X-V6		
J671	6510007020	CNR TMP-J01X-V6		
J730	6510007020	CNR TMP-J01X-V6		
J800	6510019981	S.CNR 52808-1671 (1690)		
J900	6510018961	S.CNR B2B-PH-SM4-TB (LF) (SN)	T	116/5.8
J1310	6510007020	CNR TMP-J01X-V6	T	152.9/27.8
EP130	6910014730	S.BEA MPZ2012S331A-T	B	91.1/75.4
EP401	6910002161	CAS CASE-BM7H-LF		
EP402	6910002161	CAS CASE-BM7H-LF		
EP421	6910002161	CAS CASE-BM7H-LF		
EP422	6910002161	CAS CASE-BM7H-LF		
EP441	6910002161	CAS CASE-BM7H-LF		
EP442	6910002161	CAS CASE-BM7H-LF		
EP461	6910002161	CAS CASE-BM7H-LF		
EP462	6910002161	CAS CASE-BM7H-LF		
EP481	6910002161	CAS CASE-BM7H-LF		
EP482	6910002161	CAS CASE-BM7H-LF		
EP800	6910015970	S.BEA MMZ1608B 301CT-AS	T	115.5/10.4
EP801	6910015970	S.BEA MMZ1608B 301CT-AS	T	116.7/10.4
EP802	6910015970	S.BEA MMZ1608B 301CT-AS	T	117.9/10.4
EP803	6910015970	S.BEA MMZ1608B 301CT-AS	T	112.5/10.4
EP804	6910015970	S.BEA MMZ1608B 301CT-AS	T	114.3/10.4
EP805	6910014730	S.BEA MPZ2012S331A-T	B	108.5/11.4

M.=Mounted side (T: Mounted on the Top side B: Mounted on the Bottom side)
S.=Surface mount

[RF-B UNIT]

REF NO.	ORDER NO.	DESCRIPTION	M.	H/V LOCATION
IC801	1110006180	S.IC uPG2009TB-E3	T	43.1/114.5
IC802	1110006180	S.IC UPG2009TB-E3	T	41.8/80.8
IC1201	1110006970	S.IC MAALSS0038TR	T	29.7/99
IC1202	1110007090	S.IC NJG1608KB2-TE1-#ZZZB	T	26.2/58.2
IC1203	1110007090	S.IC NJG1608KB2-TE1-#ZZZB	T	29.6/71.2
IC1204	1110007090	S.IC NJG1608KB2-TE1-#ZZZB	T	29.6/65.4
IC1241	1110006970	S.IC MAALSS0038TR	T	44.5/70.2
IC1251	1110006970	S.IC MAALSS0038TR	T	51.6/64
IC1302	1110006970	S.IC MAALSS0038TR	T	103/9.8
IC1601	1180001071	S.IC TA7805F (TE16L,Q)	B	8.3/110.8
IC1602	1180001071	S.IC TA7805F (TE16L,Q)	B	152.6/28.7
IC1603	1130011530	S.IC CD74HC4094M96	B	135.5/54.7
IC1604	1130011530	S.IC CD74HC4094M96	B	135.5/42.9
IC1605	1130011530	S.IC CD74HC4094M96	B	7.4/79.9
IC1607	1130005721	S.IC TC7W04F (TE12L,F)	T	99.5/51.6
IC1608	1180001251	S.IC TA7808F (TE16L,Q)	B	161.1/41.1
IC1701	1110002700	S.IC NJM2904M-TE1-#FMZB	T	86.6/50.7
IC1703	1160000131	S.IC TD62783AFG (S,EL)	T	123.4/52.9
IC5004	1180002770	S.REG BAJ0CC0FFP-E2	B	151.5/63.2
Q1201	1590003630	S.TR EMD29-T2R	T	22.5/92.5
Q1202	1590003520	S.TR BCR108T	T	18.3/78.3
Q1241	1590003630	S.TR EMD29-T2R	T	56.9/71.1
Q1251	1590003530	S.TR BCR08PN	T	74.2/52.2
Q1252	1590003530	S.TR BCR08PN	T	74.2/49.1
Q1253	1590003530	S.TR BCR08PN	T	74.2/45.9
Q1254	1590003630	S.TR EMD29-T2R	T	74.1/55
Q1302	1590003530	S.TR BCR08PN	T	106.9/23.1
Q1304	1590003530	S.TR BCR08PN	T	104.4/23.1
Q1401	1590003530	S.TR BCR08PN	T	135.3/39.2
Q1402	1590003530	S.TR BCR08PN	T	130.3/39.2
Q1403	1590003530	S.TR BCR08PN	T	132.8/39.2
Q1601	1550000090	S.FET RSQ035P03TR	T	154.2/37.6
Q1602	1590003520	S.TR BCR108T	T	160.1/39.1
D101	1790001621	S.DIO 1SV308 (TPL3,F)	B	139.1/112.4
D106	1790001621	S.DIO 1SV308 (TPL3,F)	B	136.7/72.7
D201	1790001621	S.DIO 1SV308 (TPL3,F)	B	137.4/111.6
D206	1790001621	S.DIO 1SV308 (TPL3,F)	B	134.8/73.4
D301	1790001621	S.DIO 1SV308 (TPL3,F)	B	123.5/111.6
D306	1790001621	S.DIO 1SV308 (TPL3,F)	B	121.7/73.4
D401	1790001621	S.DIO 1SV308 (TPL3,F)	B	108.3/111.7
D407	1790001621	S.DIO 1SV308 (TPL3,F)	B	108.8/73.5
D501	1790001621	S.DIO 1SV308 (TPL3,F)	B	94.5/111.6
D507	1790001621	S.DIO 1SV308 (TPL3,F)	B	95.1/73.5
D601	1790001621	S.DIO 1SV308 (TPL3,F)	B	82.2/111.7
D606	1790001621	S.DIO 1SV308 (TPL3,F)	B	79.2/72.8
D607	1790001621	S.DIO 1SV308 (TPL3,F)	B	84.8/12.5
D608	1790001621	S.DIO 1SV308 (TPL3,F)	B	82.5/72
D701	1790001621	S.DIO 1SV308 (TPL3,F)	B	75.7/112.5
D702	1790001621	S.DIO 1SV308 (TPL3,F)	B	74/111.7
D707	1790001621	S.DIO 1SV308 (TPL3,F)	B	67.5/73.3
D708	1790001621	S.DIO 1SV308 (TPL3,F)	B	67.5/72
D802	1790001621	S.DIO 1SV308 (TPL3,F)	B	59.6/111.1
D809	1790001621	S.DIO 1SV308 (TPL3,F)	B	55.6/76.9
D831	1750000461	S.DIO 1SV246-TL-E	B	42.7/75.2
D1204	1750001051	S.VCP HVC417CTRU-E	T	25.3/80.2
D1205	1750001051	S.VCP HVC417CTRU-E	T	22.8/80.2
D1206	1750001051	S.VCP HVC417CTRU-E	T	26.5/81.5
D1207	1750001051	S.VCP HVC417CTRU-E	T	22.9/81.5
D1251	1790001621	S.DIO 1SV308 (TPL3,F)	T	63.1/60.6
D1252	1790001621	S.DIO 1SV308 (TPL3,F)	T	61.8/60.6
D1253	1790001621	S.DIO 1SV308 (TPL3,F)	T	60.5/60.6
D1256	1720000261	S.VCP 1SV214 (TPH2,F)	T	44.2/48.7
D1257	1720000261	S.VCP 1SV214 (TPH2,F)	T	45.8/46.4
D1258	1790001621	S.DIO 1SV308 (TPL3,F)	T	61.2/45.9
D1259	1790001621	S.DIO 1SV308 (TPL3,F)	T	59.2/46.7
D1260	1790001621	S.DIO 1SV308 (TPL3,F)	T	39.8/47.1
D1261	1790001621	S.DIO 1SV308 (TPL3,F)	T	39.8/45.9
D1301	1790001621	S.DIO 1SV308 (TPL3,F)	B	63.7/20.1
D1302	1790001621	S.DIO 1SV308 (TPL3,F)	T	62.4/22.7
D1303	1790001621	S.DIO 1SV308 (TPL3,F)	B	98.8/13.2
D1304	1790001621	S.DIO 1SV308 (TPL3,F)	B	100.6/14
D1601	1750000520	S.DIO DAN222TL	T	142.6/42.5
D1602	1750000520	S.DIO DAN222TL	T	107.4/46
D1603	1750000520	S.DIO DAN222TL	T	102.1/45.8
FI1315	4580000210	FIL FL-403		
FI1316	4580000210	FIL FL-403		
L101	6200003261	S.COL NLV32T-101J	B	153.5/106.9
L102	6200010530	S.COL C2520C-R56G-A (0.56U)	T	152/104.4
L103	6200011450	S.COL C2520C-R39G-A	T	151.5/100.8
L104	6200010870	S.COL C2520C-R33G-A (0.33U)	T	152/97.1
L105	6200010670	S.COL C2520C-R18G-A (0.18U)	T	147.7/91.5
L106	6200010660	S.COL C2520C-R15G-A (0.15U)	T	148.5/87.9
L107	6200010860	S.COL C2520C-R10G-A (0.1U)	T	148.1/84.1
L110	6200003261	S.COL NLV32T-101J	B	151/77.7
L201	6200003261	S.COL NLV32T-101J	B	140.2/106.9
L202	6200010870	S.COL C2520C-R33G-A (0.33U)	T	138.9/104.6
L203	6200010680	S.COL C2520C-R22G-A (0.22U)	T	138.3/100.7
L204	6200010670	S.COL C2520C-R18G-A (0.18U)	T	138.8/97
L205	6200010650	S.COL C2520C-R12G-A (0.12U)	T	134.6/91.3
L206	6200010860	S.COL C2520C-R10G-A (0.1U)	T	135.4/87.8
L207	6200010730	S.COL C2520C-68NG-A	T	134.8/84.1
L210	6200003261	S.COL NLV32T-101J	B	137.5/78.3
L301	6200003261	S.COL NLV32T-101J	B	126.5/106.9
L302	6200010670	S.COL C2520C-R18G-A (0.18U)	T	125.1/104.5
L303	6200010650	S.COL C2520C-R12G-A (0.12U)	T	124.7/100.7
L304	6200010650	S.COL C2520C-R12G-A (0.12U)	T	125.2/96.9

[RF-B UNIT]

REF NO.	ORDER NO.	DESCRIPTION	M.	H/V LOCATION
L305	6200011410	S.COL C2520C-82NG-A	T	120.5/91.4
L306	6200010730	S.COL C2520C-68NG-A	T	121.3/87.7
L307	6200011800	S.COL C2520C-47NG-A	T	121/84.1
L310	6200003261	S.COL NLV32T-101J	B	124.2/78.3
L401	6200001831	S.COL NLV32T-100J	B	111.2/106.9
L402	6200010670	S.COL C2520C-R18G-A (0.18U)	T	109.9/104.4
L403	6200010860	S.COL C2520C-R10G-A (0.1U)	T	110.6/100.7
L404	6200011410	S.COL C2520C-82NG-A	T	109.9/97.1
L405	6200010720	S.COL C2520C-56NG-A	T	106.9/90.1
L406	6200011800	S.COL C2520C-47NG-A	T	107.7/86.5
L407	6200012360	S.COL C2520C-33NG-A	T	107.3/82.8
L411	6200001831	S.COL NLV32T-100J	B	111.7/77.8
L501	6200001831	S.COL NLV32T-100J	B	97.4/107
L502	6200011410	S.COL C2520C-82NG-A	T	96/104.5
L503	6200010720	S.COL C2520C-56NG-A	T	96.8/100.8
L504	6200011800	S.COL C2520C-47NG-A	T	96.1/97
L505	6200012360	S.COL C2520C-33NG-A	T	92.9/90.1
L506	6200010760	S.COL C2520C-27NG-A	T	93.7/86.4
L507	6200010590	S.COL C2520C-22NG-A	T	93.7/82.7
L511	6200001831	S.COL NLV32T-100J	B	96.6/79.6
L601	6200003331	S.COL NLV32T-1R0J	B	86.9/107.2
L602	6200010940	S.COL C2520C-39NG-A	T	79.6/105.8
L603	6200010760	S.COL C2520C-27NG-A	T	80.3/101.9
L604	6200010760	S.COL C2520C-27NG-A	T	79.3/98
L605	6200010760	S.COL C2520C-27NG-A	T	82.8/94
L606	6200010590	S.COL C2520C-22NG-A	T	82.9/87.7
L607	6200010030	S.COL C2012C-15NG-A	T	82.4/84
L611	6200003331	S.COL NLV32T-1R0J	B	84.4/76.4
L701	6200010760	S.COL C2520C-27NG-A	T	64.8/105.6
L702	6200003331	S.COL NLV32T-1R0J	B	73.5/105.6
L703	6200010590	S.COL C2520C-22NG-A	T	66.2/101.7
L704	6200012140	S.COL C2520C-18NG-A	T	64.9/97.8
L705	6200012140	S.COL C2520C-18NG-A	T	68.1/94.2
L706	6200010030	S.COL C2012C-15NG-A	T	67.6/87.7
L707	6200011690	S.COL C2520C-12NG-A	T	67.8/83.7
L713	6200003331	S.COL NLV32T-1R0J	B	71.2/76.9
L801	6200003331	S.COL NLV32T-1R0J	B	59.5/105.4
L802	6200009070	S.COL LQW18AN18NG00D	T	52.5/104.6
L803	6200009220	S.COL LQW18AN15NG00D	T	52.8/101.3
L804	6200010700	S.COL LQW18AN12NG00D	T	52.1/98.3
L805	6200010700	S.COL LQW18AN12NG00D	T	56.8/94.1
L806	6200011730	S.COL LQW18AN10NG00D	T	56/91.8
L807	6200010130	S.COL LQW18AN6N8C00D	T	55.6/88.6
L811	6200003331	S.COL NLV32T-1R0J	B	56.5/79.9
L901	6200009220	S.COL LQW18AN15NG00D	T	38.3/104.3
L902	6200011730	S.COL LQW18AN10NG00D	T	39.2/101.2
L903	6200010630	S.COL LQW18AN8N2D00D	T	38.4/98.1
L904	6200010630	S.COL LQW18AN8N2D00D	T	42.8/93.8
L905	6200010130	S.COL LQW18AN6N8C00D	T	42.1/91.5
L906	6200010120	S.COL LQW18AN5N6C00D	T	40.9/87.4
L1201	6200001831	S.COL NLV32T-100J	T	24.6/96.8
L1203	6200005641	S.COL ELJRE 6N8ZFA	T	27.9/80.2
L1204	6200005621	S.COL ELJRE 4N7ZFA	T	28.7/82.3
L1205	6200006771	S.COL ELJRE 1N5ZFA	T	29.3/88.3
L1207	6200006781	S.COL ELJRE 1N8ZFA	T	28.7/90.4
L1212	6200010940	S.COL C2520C-39NG-A	T	28.3/96
L1231	6200005611	S.COL ELJRE 3N9ZFA	T	26.4/68.3
L1241	6200010670	S.COL C2520C-R18G-A (0.18U)	T	47.3/70.7
L1242	6200001831	S.COL NLV32T-100J	T	53.7/71.5
L1251	6200001831	S.COL NLV32T-100J	T	58.5/66.8
L1252	6200010670	S.COL C2520C-R18G-A (0.18U)	T	54.7/66.1
L1253	6200003331	S.COL NLV32T-1R0J	T	51.9/54.7
L1254	6200005701	S.COL ELJRE 2N9GFA	T	52.4/47.2
L1255	6200005631	S.COL ELJRE 5N6ZFA	T	48.5/55.3
L1256	6200005721	S.COL ELJRE 3N9GFA	T	63.7/53.1
L1257	6200005671	S.COL ELJRE 12NGFA	T	59.2/53.1
L1260	6200005731	S.COL ELJRE 3N9GFA	T	63/48.7
L1261	6200005681	S.COL ELJRE 15NGFA	T	58.5/48.7
L1262	6200005611	S.COL ELJRE 3N9ZFA	T	44.2/51.9
L1263	6200005631	S.COL ELJRE 5N6ZFA	T	43.5/54
L1264	6200005611	S.COL ELJRE 3N9ZFA	T	40.1/53.2
L1265	6200005601	S.COL ELJRE 3N3ZFA	T	40.1/49.5
L1266	6200001831	S.COL NLV32T-100J	B	66.8/47.6
L1267	6200003331	S.COL NLV32T-1R0J	B	62.3/44.8
L1268	6200003331	S.COL NLV32T-1R0J	B	39.9/45.1
L1301	6200002631	S.COL NLV25T-R10J	B	67.8/115.6
L1302	6200001981	S.COL NLV25T-R10J	B	62.1/29.5
L1303	6200010590	S.COL C2520C-22NG-A	T	67.2/19.4
L1304	6200010590	S.COL C2520C-22NG-A	T	74.4/19.4
L1305	6200010590	S.COL C2520C-22NG-A	T	82.3/19.2
L1306	6200010590	S.COL C2520C-22NG-A	T	89.6/19.9
L1307	6200010030	S.COL C2012C-15NG-A	T	93.4/24.5
L1308	6200001981	S.COL NLV25T-1R0J	B	102.8/18.4
L1309	6200002631	S.COL NLV25T-R10J	T	101/17.4
L1311	6200007710	S.COL LQW2BHN27NJ03L	B	98.3/20.7
L1341	6200010670	S.COL C2520C-R18G-A (0.18U)	T	103.9/13.6
L1342	6200001831	S.COL NLV32T-100J	T	105.4/17.6
R102	7030003320	S.RES ERJ3GEYJ 101 V (100)	B	156.5/102.7
R111	7030003320	S.RES ERJ3GEYJ 101 V (100)	B	152.4/74.9
R202	7030003320	S.RES ERJ3GEYJ 101 V (100)	B	144.3/104.7
R211	7030003320	S.RES ERJ3GEYJ 101 V (100)	B	140.6/77.5
R302	70300			

[RF-B UNIT]

REF NO.	ORDER NO.	DESCRIPTION	M.	H/V LOCATION
R803	7030003320	S.RES ERJ3GEYJ 101 V (100)	B	60.8/102.7
R812	7030003320	S.RES ERJ3GEYJ 101 V (100)	B	59.9/77.3
R813	7030009810	S.RES ERJ12YJ821U (820)	B	50.7/75.9
R816	7030003440	S.RES ERJ3GEYJ 102 V (1 k)	B	39.3/77.3
R817	7030003440	S.RES ERJ3GEYJ 102 V (1 k)	B	40.9/118.5
R818	7030003440	S.RES ERJ3GEYJ 102 V (1 k)	B	42.5/118.4
R819	7030003440	S.RES ERJ3GEYJ 102 V (1 k)	B	44.3/77.3
R820	7030003520	S.RES ERJ3GEYJ 472 V (4.7 k)	T	37.9/115.8
R821	7030003440	S.RES ERJ3GEYJ 102 V (1 k)	B	47.1/78.5
R1201	7030003440	S.RES ERJ3GEYJ 102 V (1 k)	T	23.1/62.9
R1202	7030003440	S.RES ERJ3GEYJ 102 V (1 k)	T	23.1/53.5
R1206	7030003680	S.RES ERJ3GEYJ 104 V (100 k)	T	26.6/83
R1207	7030003680	S.RES ERJ3GEYJ 104 V (100 k)	T	25.3/77.9
R1208	7030003640	S.RES ERJ3GEYJ 473 V (47 k)	B	22.9/80
R1209	7030003640	S.RES ERJ3GEYJ 473 V (47 k)	B	22.9/81.6
R1210	7030003440	S.RES ERJ3GEYJ 102 V (1 k)	B	33.9/71.5
R1211	7030003440	S.RES ERJ3GEYJ 102 V (1 k)	B	24.2/72.3
R1212	7030003440	S.RES ERJ3GEYJ 102 V (1 k)	B	26.5/64.3
R1213	7030003440	S.RES ERJ3GEYJ 102 V (1 k)	B	32.9/64.3
R1214	7030003440	S.RES ERJ3GEYJ 102 V (1 k)	B	17.8/78
R1234	7030003680	S.RES ERJ3GEYJ 104 V (100 k)	T	72/49.1
R1241	7030004030	S.RES ERJ3GEYJ 5R6 V (5.6)	T	39.4/73
R1242	7030003430	S.RES ERJ3GEYJ 821 V (820)	T	37.6/73.8
R1243	7030003430	S.RES ERJ3GEYJ 821 V (820)	T	37.6/72.3
R1251	7030003270	S.RES ERJ3GEYJ 390 V (39)	T	46.5/64
R1252	7030003340	S.RES ERJ3GEYJ 151 V (150)	T	44/67.3
R1253	7030003340	S.RES ERJ3GEYJ 151 V (150)	T	45.7/61.9
R1254	7030003430	S.RES ERJ3GEYJ 821 V (820)	T	57.4/61.4
R1255	7030004030	S.RES ERJ3GEYJ 5R6 V (5.6)	T	58.2/63.4
R1256	7030003430	S.RES ERJ3GEYJ 821 V (820)	T	59/61.5
R1257	7030009810	S.RES ERJ12YJ821U (820)	T	66.7/61.5
R1259	7030003680	S.RES ERJ3GEYJ 104 V (100 k)	T	47.1/48.9
R1260	7030009810	S.RES ERJ12YJ821U (820)	B	32.9/44.7
R1261	7030003640	S.RES ERJ3GEYJ 473 V (47 k)	B	47.4/48.4
R1263	7030003680	S.RES ERJ3GEYJ 104 V (100 k)	T	72/52.2
R1265	7030003680	S.RES ERJ3GEYJ 104 V (100 k)	B	36.5/42.9
R1266	7030003200	S.RES ERJ3GEYJ 100 V (10)	B	39.5/48.5
R1267	7030000010	S.RES MCR10EZHZ JPW (000)	T	46/54.3
R1270	7030003370	S.RES ERJ3GEYJ 271 V (270)	B	26.8/48.3
R1271	7030003230	S.RES ERJ3GEYJ 180 V (18)	B	29/49.1
R1272	7030003370	S.RES ERJ3GEYJ 271 V (270)	B	26.8/49.8
R1301	7030003430	S.RES ERJ3GEYJ 821 V (820)	T	63.7/20.1
R1302	7030003320	S.RES ERJ3GEYJ 101 V (100)	B	65.3/14.5
R1303	7030000010	S.RES MCR10EZHZ JPW (000)	B	66.8/9.9
R1306	7030003320	S.RES ERJ3GEYJ 101 V (100)	B	62.4/26.3
R1307	7030003680	S.RES ERJ3GEYJ 104 V (100 k)	T	107/25.5
R1308	7030000010	S.RES MCR10EZHZ JPW (000)	B	96.4/6.7
R1309	7030003680	S.RES ERJ3GEYJ 104 V (100 k)	T	104.3/25.3
R1310	7030003370	S.RES ERJ3GEYJ 271 V (270)	T	79.3/25.5
R1311	7030003230	S.RES ERJ3GEYJ 180 V (18)	B	80.1/23.5
R1312	7030003370	S.RES ERJ3GEYJ 271 V (270)	T	80.8/25.5
R1315	7030003860	S.RES ERJ3GE JPW V	B	96.4/9.9
R1317	7030003320	S.RES ERJ3GEYJ 101 V (100)	B	101.3/16
R1318	7030003320	S.RES ERJ3GEYJ 101 V (100)	B	97.9/15.1
R1319	7030003430	S.RES ERJ3GEYJ 821 V (820)	B	101.3/11.9
R1321	7030004030	S.RES ERJ3GEYJ 5R6 V (5.6)	T	60.9/17.7
R1322	7030003430	S.RES ERJ3GEYJ 821 V (820)	T	62.9/16.9
R1323	7030003430	S.RES ERJ3GEYJ 821 V (820)	T	61.6/19.6
R1327	7030003860	S.RES ERJ3GE JPW V	B	82.9/6.9
R1331	7030003390	S.RES ERJ3GEYJ 391 V (390)	T	108.1/9.9
R1332	7030003210	S.RES ERJ3GEYJ 120 V (12)	T	110.7/11.5
R1333	7030003390	S.RES ERJ3GEYJ 391 V (390)	T	112.2/9.9
R1334	7510001820	S.TMR NTCG16 3EH 101JT	T	108.1/11.5
R1601	7030003680	S.RES ERJ3GEYJ 104 V (100 k)	T	153.8/40
R1602	7030003440	S.RES ERJ3GEYJ 102 V (1 k)	T	157.3/38.4
R1605	7030003360	S.RES ERJ3GEYJ 221 V (220)	T	152.1/57.5
R1606	7030003360	S.RES ERJ3GEYJ 221 V (220)	T	152.1/58.8
R1607	7030003360	S.RES ERJ3GEYJ 221 V (220)	T	152.1/60.1
R1608	7030003860	S.RES ERJ3GE JPW V	T	152/49.1
R1611	7030003860	S.RES ERJ3GE JPW V	T	157.3/39.7
R1612	7030003560	S.RES ERJ3GEYJ 103 V (10 k)	T	144.3/42.6
R1613	7030010260	S.RES ERJ1TYJ 3R3 U	B	159.2/35.8
R1614	7030003360	S.RES ERJ3GEYJ 221 V (220)	T	152.1/56.2
R1615	7030003640	S.RES ERJ3GEYJ 473 V (47 k)	B	151.4/57.8
R1616	7030003640	S.RES ERJ3GEYJ 473 V (47 k)	B	147.2/58.8
R1617	7030003640	S.RES ERJ3GEYJ 473 V (47 k)	B	147.2/56.2
R1618	7030003640	S.RES ERJ3GEYJ 473 V (47 k)	B	146.4/57.5
R1621	7030010540	S.RES ERJ1TYJ 330U (33)	B	19.8/111.6
R1622	7030010540	S.RES ERJ1TYJ 330U (33)	B	19.8/115.3
R1623	7030010410	S.RES ERJ1TYJ 220U (22)	B	140.3/25.8
R1624	7030010410	S.RES ERJ1TYJ 220U (22)	B	140.3/29.5
R1625	7030010540	S.RES ERJ1TYJ 330U (33)	B	19.8/119
R1711	7030003320	S.RES ERJ3GEYJ 101 V (100)	T	78.6/45
R1712	7030003680	S.RES ERJ3GEYJ 104 V (100 k)	T	127.9/63.4
R1715	7030003680	S.RES ERJ3GEYJ 104 V (100 k)	T	127.9/61
R1718	7030003680	S.RES ERJ3GEYJ 104 V (100 k)	T	124.9/63.4
R1721	7030003680	S.RES ERJ3GEYJ 104 V (100 k)	T	124.9/61
R1724	7030003680	S.RES ERJ3GEYJ 104 V (100 k)	T	121.9/63.4
R1727	7030003680	S.RES ERJ3GEYJ 104 V (100 k)	T	121.9/61
R1730	7030003680	S.RES ERJ3GEYJ 104 V (100 k)	T	118.9/63.4
R1733	7030003680	S.RES ERJ3GEYJ 104 V (100 k)	T	118.9/61
R1736	7030003620	S.RES ERJ3GEYJ 333 V (33 k)	T	87.9/43.4
R1737	7030003500	S.RES ERJ3GEYJ 332 V (3.3 k)	T	85.3/43.5
R1738	7030003620	S.RES ERJ3GEYJ 333 V (33 k)	T	86.5/58.3
R1739	7030003500	S.RES ERJ3GEYJ 332 V (3.3 k)	T	86.5/59.5
R1740	7030003640	S.RES ERJ3GEYJ 473 V (47 k)	T	85.3/44.8
R1741	7030003640	S.RES ERJ3GEYJ 473 V (47 k)	T	88/45.8
R1742	7030003640	S.RES ERJ3GEYJ 473 V (47 k)	T	86.5/57.1
R1743	7030003640	S.RES ERJ3GEYJ 473 V (47 k)	T	90.1/52.9
R1744	7030003720	S.RES ERJ3GEYJ 224 V (220 k)	T	85.3/46.1
R1745	7030003720	S.RES ERJ3GEYJ 224 V (220 k)	T	86.5/55.8
R1748	7030003400	S.RES ERJ3GEYJ 471 V (470)	T	83.2/45.9
R1749	7030003400	S.RES ERJ3GEYJ 471 V (470)	B	85.9/43.4

[RF-B UNIT]

REF NO.	ORDER NO.	DESCRIPTION	M.	H/V LOCATION
C102	4030006880	S.CER C1608 JB 1H 472K-T	B	154.2/104.8
C103	4030007160	S.CER C1608 CH 1H 181J-T	T	148.3/106.4
C104	4030007160	S.CER C1608 CH 1H 181J-T	T	148.3/104.8
C105	4030007130	S.CER C1608 CH 1H 101J-T	T	147.6/102.8
C106	4030010760	S.CER C1608 CH 1H 331J-T	T	148.3/100.7
C107	4030007120	S.CER C1608 CH 1H 820J-T	T	147.6/98.6
C108	4030017810	S.CER C1608 CH 1H 102J-T	T	148.3/96.6
C109	4030007140	S.CER C1608 CH 1H 121J-T	T	146.3/95.8
C110	4030007120	S.CER C1608 CH 1H 820J-T	T	148.3/95.1
C111	4030006990	S.CER C1608 CH 1H 080D-T	T	147.1/93.7
C112	4030006880	S.CER C1608 JB 1H 472K-T	B	151.7/80
C113	4030006880	S.CER C1608 JB 1H 472K-T	T	146.8/78.5
C114	4030007130	S.CER C1608 CH 1H 101J-T	T	149.8/93.4
C115	4030009650	S.CER C1608 CH 1H 240J-T	T	150.8/88.5
C116	4030007010	S.CER C1608 CH 1H 100D-T	T	151.6/86.6
C117	4030007120	S.CER C1608 CH 1H 820J-T	T	151.6/84.1
C118	4030007090	S.CER C1608 CH 1H 470J-T	T	147.5/81.6
C119	4030007090	S.CER C1608 CH 1H 470J-T	T	147.5/80.3
C120	4030011600	S.CER C1608 JB 1E 104K-T	B	154.2/103.5
C121	4030011600	S.CER C1608 JB 1E 104K-T	B	151.7/81.3
C202	4030006880	S.CER C1608 JB 1H 472K-T	B	143/107.7
C203	4030007130	S.CER C1608 CH 1H 101J-T	T	135.2/106.4
C204	4030007130	S.CER C1608 CH 1H 101J-T	T	135.2/104.8
C205	4030007100	S.CER C1608 CH 1H 560J-T	T	134.4/102.8
C206	4030010750	S.CER C1608 CH 1H 201J-T	T	135.2/100.7
C207	4030007090	S.CER C1608 CH 1H 470J-T	T	134.4/98.6
C208	4030017810	S.CER C1608 CH 1H 681J-T	T	135.2/96.6
C209	4030007110	S.CER C1608 CH 1H 680J-T	T	133.2/95.8
C210	4030007100	S.CER C1608 CH 1H 560J-T	T	135.2/95.1
C211	4030011770	S.CER C1608 CH 1H 060B-T	T	134/93.7
C212	4030006880	S.CER C1608 JB 1H 472K-T	B	139.9/80.5
C213	4030006880	S.CER C1608 JB 1H 472K-T	T	133.5/78.5
C214	4030007120	S.CER C1608 CH 1H 820J-T	T	136.7/93.7
C215	4030007040	S.CER C1608 CH 1H 180J-T	T	137.6/88.4
C216	4030007110	S.CER C1608 CH 1H 680J-T	T	138.4/86.5
C217	4030007070	S.CER C1608 CH 1H 330J-T	T	134.2/81.8
C218	4030008750	S.CER C1608 CH 1H 360J-T	T	134.2/80.3
C219	4030011600	S.CER C1608 JB 1E 104K-T	B	144.3/107.7
C220	4030011600	S.CER C1608 JB 1E 104K-T	B	139.9/81.8
C302	4030006880	S.CER C1608 JB 1H 472K-T	B	129.3/107.7
C303	4030007110	S.CER C1608 CH 1H 680J-T	T	121.4/106.4
C304	4030007100	S.CER C1608 CH 1H 560J-T	T	121.3/104.8
C305	4030007080	S.CER C1608 CH 1H 390J-T	T	120.6/102.9
C306	4030007140	S.CER C1608 CH 1H 121J-T	T	121.3/100.7
C307	4030007060	S.CER C1608 CH 1H 270J-T	T	120.6/98.7
C308	4030010760	S.CER C1608 CH 1H 331J-T	T	121.3/96.7
C309	4030007090	S.CER C1608 CH 1H 470J-T	T	119.1/95.9
C310	4030008750	S.CER C1608 CH 1H 360J-T	T	121.3/95.2
C311	4030009530	S.CER C1608 CH 1H 030B-T	T	119.9/93.8
C312	4030006880	S.CER C1608 JB 1H 472K-T	B	126.7/80.8
C313	4030006880	S.CER C1608 JB 1H 472K-T	T	119.7/78.4
C314	4030007090	S.CER C1608 CH 1H 470J-T	T	122.6/93.8
C315	4030007020	S.CER C1608 CH 1H 120J-T	T	123.6/88.3
C316	4030007080	S.CER C1608 CH 1H 390J-T	T	124.4/86.4
C317	4030007050	S.CER C1608 CH 1H 220J-T	T	120.5/81.8
C318	4030009650	S.CER C1608 CH 1H 240J-T	T	120.4/80.3
C319	4030011600	S.CER C1608 JB 1E 104K-T	B	130.6/107.7
C320	4030011600	S.CER C1608 JB 1E 104K-T	B	126.7/82.1
C401	4030007090	S.CER C1608 CH 1H 470J-T	T	106.3/106.5
C403	4030006850	S.CER C1608 JB 1H 471K-T	B	114.1/107.6
C404	4030007040	S.CER C1608 CH 1H 180J-T	T	106.3/104.6
C405	4030009650	S.CER C1608 CH 1H 240J-T	T	105.5/102.5
C406	4030007080	S.CER C1608 CH 1H 390J-T	T	107.5/100.6
C407	4030007040	S.CER C1608 CH 1H 180J-T	T	105.5/99.9
C408	4030007140	S.CER C1608 CH 1H 121J-T	T	106.3/97.6
C409	4030009650	S.CER C1608 CH 1H 240J-T	T	105.5/95.8
C410	4030007060	S.CER C1608 CH 1H 270J-T	T	106.3/93.7
C412	4030008750	S.CER C1608 CH 1H 360J-T	T	109/92.3
C413	4030006980	S.CER C1608 CH 1H 070D-T	T	110.3/87.1
C414	4030007060	S.CER C1608 CH 1H 270J-T	T	111/85.1
C415	4030006850	S.CER C1608 JB 1H 471K-T	B	113.9/80.1
C416	4030006860	S.CER C1608 JB 1H 102K-T	T	106.7/77.8
C417	4030007030	S.CER C1608		

[RF-B UNIT]

REF NO.	ORDER NO.	DESCRIPTION	M.	H/V LOCATION
C611	4030009510	S.CER C1608 CH 1H 010B-T	T	80.4/93.4
C612	4030007030	S.CER C1608 CH 1H 150J-T	T	82/91.3
C613	4030009530	S.CER C1608 CH 1H 030B-T	T	82/90
C614	4030007020	S.CER C1608 CH 1H 120J-T	T	79.3/87.7
C615	4030006980	S.CER C1608 CH 1H 070D-T	T	80.1/84.3
C616	4030006850	S.CER C1608 JB 1H 471K-T	B	86.4/78.9
C617	4030006860	S.CER C1608 JB 1H 102K-T	T	81.3/78.6
C618	4030009920	S.CER C1608 CH 1H 050B-T	T	79.3/82.3
C619	4030011600	S.CER C1608 JB 1E 104K-T	B	89.1/103.6
C620	4030011600	S.CER C1608 JB 1E 104K-T	B	86.4/80.2
C702	4030007000	S.CER C1608 CH 1H 090D-T	T	71.5/105.3
C703	4030006850	S.CER C1608 JB 1H 471K-T	B	70.9/102.9
C704	4030007030	S.CER C1608 CH 1H 150J-T	T	68.3/104.6
C705	4030009920	S.CER C1608 CH 1H 050B-T	T	70.3/103.8
C706	4030007060	S.CER C1608 CH 1H 270J-T	T	69.6/101.1
C707	4030009920	S.CER C1608 CH 1H 050B-T	T	70.4/99.1
C708	4030007120	S.CER C1608 CH 1H 820J-T	T	68.5/98.4
C709	4030006980	S.CER C1608 CH 1H 070D-T	T	70.4/96.3
C710	4030009920	S.CER C1608 CH 1H 050B-T	T	65.1/95.6
C711	4030009560	S.CER C1608 CH 1H R75B-T	T	65.8/93.6
C712	4030006990	S.CER C1608 CH 1H 080D-T	T	67.4/91.4
C713	4030009520	S.CER C1608 CH 1H 020B-T	T	67.4/90.1
C714	4030006980	S.CER C1608 CH 1H 070D-T	T	64.5/87.7
C715	4030009350	S.CER C1608 CH 1H 3R5B-T	T	65.3/84.3
C716	4030009910	S.CER C1608 CH 1H 040B-T	T	64.5/82.4
C718	4030006850	S.CER C1608 JB 1H 471K-T	B	73.4/79.2
C719	4030006860	S.CER C1608 JB 1H 102K-T	T	67.6/78
C720	4030011600	S.CER C1608 JB 1E 104K-T	B	70.9/104.2
C721	4030011600	S.CER C1608 JB 1E 104K-T	B	73.4/80.5
C801	4030017810	S.CER C1608 CH 1H 102J-T	B	49.3/115.5
C803	4030006850	S.CER C1608 JB 1H 471K-T	B	56.7/102.6
C804	4030011770	S.CER C1608 CH 1H 060B-T	T	56.7/106.1
C805	4030007010	S.CER C1608 CH 1H 100D-T	T	54.6/105.4
C806	4030009910	S.CER C1608 CH 1H 040B-T	T	56.8/103.2
C807	4030007020	S.CER C1608 CH 1H 120J-T	T	56/101.3
C808	4030009910	S.CER C1608 CH 1H 040B-T	T	56.8/99.4
C809	4030007090	S.CER C1608 CH 1H 470J-T	T	54.4/97.5
C810	4030009920	S.CER C1608 CH 1H 050B-T	T	56.8/96.8
C811	4030009350	S.CER C1608 CH 1H 3R5B-T	T	53.1/94.8
C813	4030006990	S.CER C1608 CH 1H 080D-T	T	52.3/93.3
C815	4030006980	S.CER C1608 CH 1H 070D-T	T	53.4/90.5
C816	4030006850	S.CER C1608 JB 1H 471K-T	B	59.4/80.1
C817	4030017810	S.CER C1608 CH 1H 102J-T	B	54.2/84.2
C819	4030017810	S.CER C1608 CH 1H 102J-T	B	46.4/81.7
C821	4030006860	S.CER C1608 JB 1H 102K-T	B	41.5/113.9
C822	4030006860	S.CER C1608 JB 1H 102K-T	B	41.5/115.3
C823	4030006860	S.CER C1608 JB 1H 102K-T	B	44.3/78.6
C824	4030006860	S.CER C1608 JB 1H 102K-T	B	39.3/78.6
C825	4030006900	S.CER C1608 JB 1H 103K-T	T	40/115.1
C826	4030017810	S.CER C1608 CH 1H 102J-T	T	40/113.9
C828	4030006900	S.CER C1608 JB 1H 103K-T	B	46.4/80.4
C829	4030006900	S.CER C1608 JB 1H 103K-T	T	41.2/77.9
C830	4030017810	S.CER C1608 CH 1H 102J-T	T	42.5/77.9
C831	4030009350	S.CER C1608 CH 1H 3R5B-T	T	54.2/88.6
C832	4030009530	S.CER C1608 CH 1H 030B-T	T	53.4/86.3
C833	4030011600	S.CER C1608 JB 1E 104K-T	B	56.7/103.9
C834	4030011600	S.CER C1608 JB 1E 104K-T	B	60.7/80.1
C835	4030017810	S.CER C1608 CH 1H 102J-T	B	50.2/80.3
C836	4030006900	S.CER C1608 JB 1H 103K-T	B	48.9/80.3
C901	4030009510	S.CER C1608 CH 1H 010B-T	T	38.8/95.8
C902	4030009910	S.CER C1608 CH 1H 040B-T	T	42.8/105.8
C903	4030009920	S.CER C1608 CH 1H 050B-T	T	40.6/105.1
C904	4030009520	S.CER C1608 CH 1H 020B-T	T	42.8/103.1
C905	4030007010	S.CER C1608 CH 1H 100D-T	T	42.1/101.2
C906	4030009520	S.CER C1608 CH 1H 020B-T	T	42.8/99.3
C907	4030007070	S.CER C1608 CH 1H 330J-T	T	40.6/97.3
C908	4030009520	S.CER C1608 CH 1H 020B-T	T	42.8/96.6
C910	4030009560	S.CER C1608 CH 1H R75B-T	T	38.8/94.5
C911	4030009550	S.CER C1608 CH 1H 2R5B-T	T	37.4/93
C913	4030009520	S.CER C1608 CH 1H 020B-T	T	37.4/91.8
C914	4030009520	S.CER C1608 CH 1H 020B-T	T	38.9/90.4
C916	4030009520	S.CER C1608 CH 1H 020B-T	T	39.6/87.4
C917	4030009520	S.CER C1608 CH 1H 020B-T	T	38.9/89.2
C918	4030009500	S.CER C1608 CH 1H 0R5B-T	T	38.9/85.5
C919	4030009500	S.CER C1608 CH 1H 0R5B-T	T	38.9/84.3
C920	4030017810	S.CER C1608 CH 1H 102J-T	T	39.6/82.4
C1202	4030017810	S.CER C1608 CH 1H 102J-T	B	29.5/17
C1203	4030009520	S.CER C1608 CH 1H 020B-T	T	30.3/79.4
C1206	4030009540	S.CER C1608 CH 1H 1R5B-T	T	30.3/82.3
C1209	4030009520	S.CER C1608 CH 1H 020B-T	T	28.7/85
C1211	4030009500	S.CER C1608 CH 1H 0R5B-T	T	26.6/89.8
C1214	4030006860	S.CER C1608 JB 1H 102K-T	B	20.5/80.8
C1215	4030006900	S.CER C1608 JB 1H 103K-T	T	30/93.2
C1216	4030007130	S.CER C1608 CH 1H 101J-T	T	28.7/93.2
C1217	4030007130	S.CER C1608 CH 1H 101J-T	T	25.3/99.4
C1218	4030006860	S.CER C1608 JB 1H 102K-T	T	25.3/100.7
C1219	4030006900	S.CER C1608 JB 1H 103K-T	T	23.1/101.8
C1220	4030007130	S.CER C1608 CH 1H 101J-T	T	29/101.8
C1221	4030006860	S.CER C1608 JB 1H 102K-T	T	23.1/54.8
C1222	4030006900	S.CER C1608 JB 1H 103K-T	B	27.5/51.7
C1223	4030006860	S.CER C1608 JB 1H 102K-T	T	23.1/61.5
C1224	4030017810	S.CER C1608 CH 1H 102J-T	T	22.7/58.8
C1225	4030006900	S.CER C1608 JB 1H 103K-T	T	22.7/57.6
C1226	4030009570	S.CER C1608 CH 1H 0R3B-T	T	26.6/92.4
C1228	4030009570	S.CER C1608 CH 1H 0R3B-T	T	27.8/100.3
C1230	4030009530	S.CER C1608 CH 1H 030B-T	B	25.5/53.5
C1231	4030009510	S.CER C1608 CH 1H 010B-T	T	24.5/70.2
C1232	4030009570	S.CER C1608 CH 1H 0R3B-T	T	24.5/66.4
C1241	4030007050	S.CER C1608 CH 1H 220J-T	T	40.6/73
C1242	4030017810	S.CER C1608 CH 1H 102J-T	T	41.4/71.1
C1243	4030006900	S.CER C1608 JB 1H 103K-T	T	41.4/69.8
C1244	4030006860	S.CER C1608 JB 1H 102K-T	T	49.6/72.8
C1245	4030006850	S.CER C1608 JB 1H 471K-T	T	46.6/73.4
C1246	4030017810	S.CER C1608 CH 1H 102J-T	T	45.2/67

[RF-B UNIT]

REF NO.	ORDER NO.	DESCRIPTION	M.	H/V LOCATION
C1247	4030006900	S.CER C1608 JB 1H 103K-T	T	46.5/67
C1251	4030007050	S.CER C1608 CH 1H 220J-T	T	45.2/64
C1252	4030007050	S.CER C1608 CH 1H 220J-T	T	58.2/64.6
C1253	4030017810	S.CER C1608 CH 1H 102J-T	T	48.4/63.2
C1254	4030006900	S.CER C1608 JB 1H 103K-T	T	48.4/61.9
C1255	4030006860	S.CER C1608 JB 1H 102K-T	T	51.7/67.3
C1256	4030006850	S.CER C1608 JB 1H 471K-T	T	51.7/66
C1257	4030017810	S.CER C1608 CH 1H 102J-T	T	55.5/62.2
C1258	4030006900	S.CER C1608 JB 1H 103K-T	T	55.5/63.4
C1259	4030017810	S.CER C1608 CH 1H 102J-T	T	61.8/63.2
C1260	4030006900	S.CER C1608 JB 1H 103K-T	T	60.5/63.2
C1261	4030007010	S.CER C1608 CH 1H 100D-T	T	52.8/52.5
C1262	4030007030	S.CER C1608 CH 1H 150J-T	T	52.4/50.1
C1263	4030007010	S.CER C1608 CH 1H 100D-T	T	50.1/52.5
C1264	4030007010	S.CER C1608 CH 1H 100D-T	T	61.8/55.1
C1265	4030011770	S.CER C1608 CH 1H 060B-T	T	57.3/55.1
C1266	4030009520	S.CER C1608 CH 1H 020B-T	T	62.5/53.0
C1268	4030009540	S.CER C1608 CH 1H 1R5B-T	T	58/53.1
C1270	4030007040	S.CER C1608 CH 1H 180J-T	T	61.8/51.1
C1271	4030007010	S.CER C1608 CH 1H 100D-T	T	57.3/51.1
C1272	4030009500	S.CER C1608 CH 1H 0R5B-T	T	63/49.9
C1273	4030009500	S.CER C1608 CH 1H 0R5B-T	T	58.5/49.9
C1274	4030011770	S.CER C1608 CH 1H 060B-T	T	45.8/50.4
C1275	4030007010	S.CER C1608 CH 1H 100D-T	T	61.8/47.4
C1276	4030011770	S.CER C1608 CH 1H 060B-T	T	57.3/47.5
C1277	4030009510	S.CER C1608 CH 1H 010B-T	T	38.9/54.7
C1278	4030009510	S.CER C1608 CH 1H 010B-T	T	41.4/53.2
C1279	4030009520	S.CER C1608 CH 1H 020B-T	T	39.4/51.4
C1280	4030006860	S.CER C1608 JB 1H 102K-T	B	68.3/51.1
C1281	4030006850	S.CER C1608 JB 1H 471K-T	B	64.8/44.1
C1282	4030007090	S.CER C1608 CH 1H 470J-T	B	36.5/44.2
C1283	4030006850	S.CER C1608 JB 1H 471K-T	B	69.7/51.1
C1284	4030006860	S.CER C1608 JB 1H 102K-T	B	66.4/44.1
C1285	4030006860	S.CER C1608 JB 1H 102K-T	T	72/45.9
C1286	4030009510	S.CER C1608 CH 1H 010B-T	T	38.3/48.8
C1287	4030007090	S.CER C1608 CH 1H 470J-T	B	52.7/48.7
C1288	4030006860	S.CER C1608 JB 1H 102K-T	B	35.9/74.7
C1289	4030006860	S.CER C1608 JB 1H 102K-T	B	24.2/73.8
C1290	4030006860	S.CER C1608 JB 1H 102K-T	B	28/65.5
C1291	4030006860	S.CER C1608 JB 1H 102K-T	B	31.4/65.5
C1292	4030007090	S.CER C1608 CH 1H 470J-T	B	21.5/72.3
C1293	4030007090	S.CER C1608 CH 1H 470J-T	B	35.8/70.8
C1294	4030007130	S.CER C1608 CH 1H 101J-T	T	27.2/70.2
C1295	4030009500	S.CER C1608 CH 1H 0R5B-T	T	25.2/68.3
C1296	4030007130	S.CER C1608 CH 1H 101J-T	T	27.2/66.4
C1297	4030009920	S.CER C1608 CH 1H 050B-T	T	32/68.3
C1298	4030009920	S.CER C1608 CH 1H 050B-T	T	29.6/62.1
C1299	4030006860	S.CER C1608 JB 1H 102K-T	B	29.7/46
C1300	4030006900	S.CER C1608 JB 1H 103K-T	B	29.7/47.2
C1301	4030017810	S.CER C1608 CH 1H 102J-T	T	61.6/20.8
C1303	4030017810	S.CER C1608 CH 1H 102J-T	B	64.5/12.2
C1304	4030009910	S.CER C1608 CH 1H 040B-T	T	67.5/22.9
C1305	4030006860	S.CER C1608 JB 1H 102K-T	B	64.1/29.6
C1307	4030006860	S.CER C1608 JB 1H 102K-T	B	70.6/17.8
C1309	4030009530	S.CER C1608 CH 1H 030B-T	T	69.4/19.8
C1310	4540000020	S.TRI TZY2Z060A001R00	T	71.4/19.2
C1311	4030009570	S.CER C1608 CH 1H 0R3B-T	T	72.8/22.1
C1312	4030009510	S.CER C1608 CH 1H 010B-T	T	72.8/23.3
C1314	4030009530	S.CER C1608 CH 1H 030B-T	T	76.7/19.7
C1315	4540000020	S.TRI TZY2Z060A001R00	T	78.7/19.2
C1316	4030009910	S.CER C1608 CH 1H 040B-T	T	77.9/22.7
C1317	4030009910	S.CER C1608 CH 1H 040B-T	T	82.6/22.7
C1319	4030009530	S.CER C1608 CH 1H 030B-T	T	84.5/19.6
C1320	4540000020	S.TRI TZY2Z060A001R00	T	86.6/19.9
C1321	4030009570	S.CER C1608 CH 1H 0R3B-T	T	88/22.8
C1322	4030009510	S.CER C1608 CH 1H 010B-T	T	88/24.1
C1324	4030009530	S.CER C1608 CH 1H 030B-T	T	91.8/20.2
C1325	4540000020	S.TRI TZY2Z060A001R00	T	93.9/19.6
C1326	4030009910	S.CER C1608 CH 1H 040B-T	T	92.3/22.8
C1327	4030007030	S.CER C1608 CH 1H 150J-T	T	91/25.3
C1328	4030007020	S.CER C1608 CH 1H 120J-T</		

[RF-B UNIT]

REF NO.	ORDER NO.	DESCRIPTION	M.	H/V LOCATION
C1622	4510008540	S.ELE EEE1CA100SR	T	162.6/42.6
C1623	4510008540	S.ELE EEE1CA100SR	T	150.7/26.8
C1624	4030011600	S.CER C1608 JB 1E 104K-T	B	145.4/27.2
C1625	4030011600	S.CER C1608 JB 1E 104K-T	B	145.4/31.6
C1626	4510008520	S.ELE EEE1CA470SP	T	130.4/28
C1701	4030006880	S.CER C1608 JB 1H 472K-T	T	83.1/52.9
C1702	4510008760	S.ELE EEE1HA47R9SR	T	79.6/50.2
C1727	4030011600	S.CER C1608 JB 1E 104K-T	T	130.8/49.3
C1801	4030006860	S.CER C1608 JB 1H 102K-T	B	11.2/105.2
C1802	4030006860	S.CER C1608 JB 1H 102K-T	B	10.3/103.9
C1803	4030006860	S.CER C1608 JB 1H 102K-T	B	11.2/102.6
C1804	4030006860	S.CER C1608 JB 1H 102K-T	B	10.3/101.3
C1805	4030006860	S.CER C1608 JB 1H 102K-T	B	11.2/100
C1806	4030006860	S.CER C1608 JB 1H 102K-T	B	10.3/98.7
C1807	4030006860	S.CER C1608 JB 1H 102K-T	B	11.2/97.4
C1808	4030006860	S.CER C1608 JB 1H 102K-T	B	10.3/96.1
C1809	4030006860	S.CER C1608 JB 1H 102K-T	B	11.3/94.8
C1810	4030006860	S.CER C1608 JB 1H 102K-T	B	10.2/93.5
C1834	4030009920	S.CER C1608 CH 1H 050B-T	B	46.2/32.5
C1835	4030009920	S.CER C1608 CH 1H 050B-T	B	42.7/33.6
C1836	4030009920	S.CER C1608 CH 1H 050B-T	B	39.6/33.2
C1837	4030009920	S.CER C1608 CH 1H 050B-T	B	36.5/33.6
C1851	4030006860	S.CER C1608 JB 1H 102K-T	T	137.5/34
C1852	4030006860	S.CER C1608 JB 1H 102K-T	T	138.8/34
C1853	4030006860	S.CER C1608 JB 1H 102K-T	T	142.7/34
C1854	4030006860	S.CER C1608 JB 1H 102K-T	T	144/31.2
J801	6510023480	S.CNR AYU1-1P-02676-120-TF	T	34.9/115
J1201	6510023480	S.CNR AYU1-1P-02676-120-TF	T	29.5/112.5
J1202	6510023480	S.CNR AYU1-1P-02676-120-TF	T	15.7/58.2
J1301	6510018450	CNR TMP-S01X-B1		
J1305	6510018450	CNR TMP-S01X-B1		
J1601	6510019981	S.CNR 52808-1671 (1690)	T	157.2/52.7
J1801	6510019981	S.CNR 52808-1671 (1690)	T	6.1/99.1
J1831	6510019971	S.CNR 52808-1071	T	44.6/29.2
J1851	6510019971	S.CNR 52808-1071	T	141.2/26.7
EP1301	6910012350	S.BEA MMZ1608Y 102BT	B	68.2/18.6
EP1302	6910012350	S.BEA MMZ1608Y 102BT	T	101/23.2
EP1303	6910012350	S.BEA MMZ1608Y 102BT	B	66/30.4
EP1304	6910012350	S.BEA MMZ1608Y 102BT	B	102.5/22.7
EP1601	6910014730	S.BEA MPZ2012S331A-T	T	152.9/45.1
EP1602	6910015970	S.BEA MMZ1608B 301CT-AS	T	152/47.8
EP1603	6910014730	S.BEA MPZ2012S331A-T	T	152/50.7
EP1701	6910015970	S.BEA MMZ1608B 301CT-AS	T	130.8/46.5
EP1801	6910015970	S.BEA MMZ1608B 301CT-AS	T	11.2/105.3
EP1802	6910015970	S.BEA MMZ1608B 301CT-AS	T	11.2/104
EP1803	6910015970	S.BEA MMZ1608B 301CT-AS	T	11.2/102.7
EP1804	6910014730	S.BEA MPZ2012S331A-T	T	10.9/101.2
EP1805	6910015970	S.BEA MMZ1608B 301CT-AS	T	11.2/99.6
EP1806	6910015970	S.BEA MMZ1608B 301CT-AS	T	11.2/98.3
EP1807	6910015970	S.BEA MMZ1608B 301CT-AS	T	11.2/97
EP1808	6910015970	S.BEA MMZ1608B 301CT-AS	T	11.2/95.7
EP1809	6910015970	S.BEA MMZ1608B 301CT-AS	T	11.2/94.4
EP1810	6910015970	S.BEA MMZ1608B 301CT-AS	T	11.1/93.2
EP1811	6910015970	S.BEA MMZ1608B 301CT-AS	T	14.9/105.4
EP1812	6910015970	S.BEA MMZ1608B 301CT-AS	T	14.9/104.1
EP1813	6910015970	S.BEA MMZ1608B 301CT-AS	T	14.9/102.8
EP1814	6910014730	S.BEA MPZ2012S331A-T	T	15.3/101.3
EP1815	6910015970	S.BEA MMZ1608B 301CT-AS	T	15/99.7
EP1816	6910015970	S.BEA MMZ1608B 301CT-AS	T	15/98.4
EP1817	6910015970	S.BEA MMZ1608B 301CT-AS	T	15/97.1
EP1818	6910015970	S.BEA MMZ1608B 301CT-AS	T	15/95.8
EP1819	6910015970	S.BEA MMZ1608B 301CT-AS	T	15/94.5
EP1820	6910015970	S.BEA MMZ1608B 301CT-AS	T	15/93.3
EP1831	6910015970	S.BEA MMZ1608B 301CT-AS	T	51.7/36.1
EP1832	6910015970	S.BEA MMZ1608B 301CT-AS	T	49.4/36.1
EP1833	6910015970	S.BEA MMZ1608B 301CT-AS	T	47.3/36.1
EP1834	6910015970	S.BEA MMZ1608B 301CT-AS	T	45.2/36.1
EP1835	6910015970	S.BEA MMZ1608B 301CT-AS	T	43/36.1
EP1836	6910015970	S.BEA MMZ1608B 301CT-AS	T	41.4/36.1
EP1837	6910015970	S.BEA MMZ1608B 301CT-AS	T	39.1/36.1
EP1838	6910015970	S.BEA MMZ1608B 301CT-AS	T	51.7/33.5
EP1839	6910015970	S.BEA MMZ1608B 301CT-AS	T	49.4/33.5
EP1840	6910015970	S.BEA MMZ1608B 301CT-AS	T	47.3/33.5
EP1841	6910015970	S.BEA MMZ1608B 301CT-AS	T	45.2/33.5
EP1842	6910015970	S.BEA MMZ1608B 301CT-AS	T	43/33.5
EP1843	6910015970	S.BEA MMZ1608B 301CT-AS	T	41.4/33.5
EP1844	6910015970	S.BEA MMZ1608B 301CT-AS	T	39.1/33.5
EP1851	6910015970	S.BEA MMZ1608B 301CT-AS	T	144/34
EP1852	6910015970	S.BEA MMZ1608B 301CT-AS	T	141.4/34
EP1853	6910015970	S.BEA MMZ1608B 301CT-AS	T	140.1/34
EP1854	6910015970	S.BEA MMZ1608B 301CT-AS	T	137.5/31.2
EP1855	6910015970	S.BEA MMZ1608B 301CT-AS	T	142.7/31.2
EP1856	6910015970	S.BEA MMZ1608B 301CT-AS	T	141.4/31.2
EP1857	6910015970	S.BEA MMZ1608B 301CT-AS	T	140.1/31.2
EP1858	6910015970	S.BEA MMZ1608B 301CT-AS	T	138.8/31.2

[PLL UNIT]

REF NO.	ORDER NO.	DESCRIPTION	M.	H/V LOCATION
IC100	1130011530	S.IC CD74HC4094M96	T	43/27.3
IC101	1130009691	S.IC TC74HCT7007AF (F)	B	44.6/25
IC200	1160000131	S.IC TD62783AFG (S,EL)	B	28.9/26.1
IC204	1160000131	S.IC TD62783AFG (S,EL)	B	13.9/26.1
IC300	1130011530	S.IC CD74HC4094M96	T	29/24.2
IC301	1130011530	S.IC CD74HC4094M96	T	14/24.2
IC302	1130011530	S.IC CD74HC4094M96	B	135.9/9.7
IC350	1130012000	S.IC M62352AGP C60Q	T	111.3/23.2
IC400	1180001251	S.IC TA7805F (TE16L,Q)	B	44.8/8.5
IC401	1180001071	S.IC TA7805F (TE16L,Q)	B	84.9/6.8
IC500	1130006441	S.IC TC7S08F (TE85R,F)	T	66/36.4
IC700	1130003831	S.IC TC7S04F (TE85R,F)	T	102.1/50.1
IC750	1130003831	S.IC TC7S04F (TE85R,F)	T	76.1/46.8
IC751	1130006441	S.IC TC7S08F (TE85R,F)	T	77.4/54.8
IC752	1140007881	S.IC TC190G08EFG0046JDC/SZ1246A	T	87.7/47.2
IC830	1110002700	S.IC NJM2904M-TE1-#FMZB	B	96.1/84.7
IC1000	1130013500	S.IC ADF4111BRUZ	B	66.3/69
IC1001	1110001901	S.IC uPC4570G2-E1-A	T	74.5/69.5
IC1300	1110006870	S.IC uPC2709TB-E3	B	65/111.2
IC1351	1110006870	S.IC uPC2709TB-E3	B	70.2/100.6
IC2100	1110004460	S.IC uPB1509GV-E1	T	46.1/56.9
IC2300	1130013450	S.IC SN74AUC1G04DCKR	T	41.8/44.6
IC2301	1180003030	S.REG S-812C25AUA-C2FT2G	T	49.3/46.6
IC2302	1130013310	S.IC SN74AUC74RGYR	T	35.8/45.1
IC2303	1130011930	S.IC SN74LVCI1G04DCKR	T	29.4/45
IC2553	1110006870	S.IC uPC2709TB-E3	B	35.2/87.5
IC4000	1130013300	S.IC LMX2346TM/NOPB	T	151.5/61.6
IC4501	1110006870	S.IC uPC2709TB-E3	B	163.8/95
IC5000	1130013270	S.IC ADF4116BRUZ	T	123.4/74.8
IC5001	1110002700	S.IC NJM2904M-TE1-#FMZB	B	144.7/81.8
IC5300	1130003831	S.IC TC7S04F (TE85R,F)	B	159.5/37.2
IC5301	1140007881	S.IC TC190G08EFG0046JDC/SZ1246A	T	155.9/36
IC5601	1130003831	S.IC TC7S04F (TE85R,F)	B	154.1/32.5
Q101	1590003570	S.TR BCR183T	T	36.8/21.9
Q102	1590003520	S.TR BCR108T	B	28.4/13.1
Q450	1530002060	S.TR 2SC4081 T106 R	T	127.4/60.9
Q550	1530002601	S.TR 2SC4215-0 (TE85R,F)	T	122.1/44.1
Q601	1590003530	S.TR BCR08PN	B	82.1/114.1
Q602	1590003530	S.TR BCR08PN	B	82.1/117.7
Q603	1590003530	S.TR BCR08PN	B	82.1/121.3
Q800	1530002060	S.TR 2SC4081 T106 R	B	99.6/60.3
Q860	1530002601	S.TR 2SC4081 T106 R	B	89.2/69.9
Q900	1560000341	S.FET 2SK210-Y (TE85R,F)	T	92/70.1
Q1000	1590003570	S.TR BCR183T	T	70.5/67.4
Q1001	1530002060	S.TR 2SC4081 T106 R	T	60.7/60.5
Q2101	1590003530	S.TR BCR08PN	T	51/58.3
Q2301	1590003530	S.TR BCR08PN	T	51.1/50.6
Q2551	1590003530	S.TR BCR08PN	T	51.7/72.1
Q3001	1530003781	S.TR 2SC5624VH-TL-E	T	48/124
Q3002	1530003781	S.TR 2SC5624VH-TL-E	T	50.5/124
Q4000	1590003570	S.TR BCR183T	B	153.3/57.9
Q4450	1590003520	S.TR BCR108T	B	163.3/80.7
Q4451	1590003520	S.TR BCR108T	B	160.1/80.6
Q4452	1590003570	S.TR BCR183T	B	163.6/83.7
Q4453	1590003570	S.TR BCR183T	B	161/83.7
Q5000	1590003570	S.TR BCR183T	B	127/70.3
Q5018	1530002060	S.TR 2SC4081 T106 R	B	114.2/67.1
Q5100	1560000341	S.FET 2SK210-Y (TE85R,F)	T	124.4/102.6
Q5101	1530002561	S.TR 2SC4403-3-TL-E	T	118.9/99.9
Q5150	1530002561	S.TR 2SC4403-3-TL-E	T	119.8/109.9
Q5200	1530002561	S.TR 2SC4403-3-TL-E	T	127.2/109.3
Q5400	1530002060	S.TR 2SC4081 T106 R	B	169.8/32.4
Q5500	1530002601	S.TR 2SC4215-0 (TE85R,F)	T	133.3/46.9
Q5601	1560000341	S.FET 2SK210-Y (TE85R,F)	T	158.9/12.9
Q5602	1530002060	S.TR 2SC4081 T106 R	B	158.5/16.4
Q5603	1530002060	S.TR 2SC4081 T106 R	T	149.4/26.2
Q5604	1590003530	S.TR BCR08PN	T	172.5/28.3
D750	1750000520	S.DIO DAN222TL	B	90.6/57
D900	1790000491	S.DIO HSM88ASTR-E	T	98.1/72.2
D901	1790000491	S.DIO HSM88ASTR-E	T	94.7/72.2
D930	1720000590	S.VCP MA357 (TX)	T	100.2/68.2
D931	1720000590	S.VCP MA357 (TX)	T	104.4/72.1
D1000	1750000520	S.DIO DAN222TL	B	81.8/64.8
D1451	1750000581	S.DIO 1SV307 (TPH3,F)	B	154.2/96.8
D1452	1750000581	S.DIO 1SV307 (TPH3,F)	B	148.1/99.6
D1453	1750000581	S.DIO 1SV307 (TPH3,F)	B	157.4/97.6
D1454	1750000581	S.DIO 1SV307 (TPH3,F)	B	155.5/100.7
D2000	1750000581	S.DIO 1SV307 (TPH3,F)	B	57.1/106.1
D2001	1750000581	S.DIO 1SV307 (TPH3,F)	B	56/109.1
D2050	1750000581	S.DIO 1SV307 (TPH3,F)	T	37.2/60
D2051	1750000581	S.DIO 1SV307 (TPH3,F)	T	38.9/61.7
D2052	1750000581	S.DIO 1SV307 (TPH3,F)	T	41.1/58.8
D2053	1750000581	S.DIO 1SV307 (TPH3,F)	T	42.2/56
D2200	1750000581	S.DIO 1SV307 (TPH3,F)	B	21.8/112.7
D2652	1750000581	S.DIO 1SV307 (TPH3,F)	B	7.2/83.2
D2855	1750000581	S.DIO 1SV307 (TPH3,F)	B	18.6/111.6
D2856	1750000581	S.DIO 1SV307 (TPH3,F)	B	4.3/84.2
D3101	1750000581	S.DIO 1SV307 (TPH3,F)	B	31.3/123.6
D3102	1750000581	S.DIO 1SV307 (TPH3,F)	B	19/123.1
D3404	1750000581	S.DIO 1SV307 (TPH3,F)	B	13/83.2
D4000	1750000520	S.DIO DAN222TL	B	149.9/51.8
D5000	1750000520	S.DIO DAN222TL	B	129.5/68.5
D5100	1720000261	S.VCP 1SV214 (TPH2,F)	T	132.7/95.7
D5101	1720000261	S.VCP 1SV214 (TPH2,F)	B	130.7/95.8
D5102	1720000261	S.VCP 1SV214 (TPH2,F)	T	132.7/93.9
D5103	1720000261	S.VCP 1SV214 (TPH2,F)	B	133.3/95.8
D5601	1720			

[PLL UNIT]

REF NO.	ORDER NO.	DESCRIPTION	M.	H/V LOCATION
F1700	2020001820	S.CER SFECV10M5FA00-R0	T	101.9/41.7
F15400	2020001810	S.CER SFECV10M7FA00-R0	T	148.4/48.8
L100	6200003261	S.COL NLV32T-101J	B	51.7/20.8
L106	6200003261	S.COL NLV32T-101J	T	36.5/32.5
L200	6200003261	S.COL NLV32T-101J	B	17/8.1
L300	6200003261	S.COL NLV32T-101J	T	36.4/18.9
L301	6200003261	S.COL NLV32T-101J	B	127.8/8.3
L350	6200003261	S.COL NLV32T-101J	B	106.5/17.3
L450	6200005491	S.COL NLV32T-331J	B	119.8/61.9
L550	6150004971	S.COL LS-522-LF	T	123.2/38.6
L551	6150004971	S.COL LS-522-LF	T	120.3/48.8
L552	6200003261	S.COL NLV32T-101J	B	118.1/58.5
L601	6200003261	S.COL NLV32T-101J	B	102/94.9
L602	6200003261	S.COL NLV32T-101J	B	102/97.9
L603	6200003261	S.COL NLV32T-101J	B	102/100.9
L604	6200003261	S.COL NLV32T-101J	B	78.2/114.1
L605	6200003261	S.COL NLV32T-101J	B	78.2/117.7
L606	6200003261	S.COL NLV32T-101J	B	78.2/121.3
L750	6200001831	S.COL NLV32T-100J	B	74.6/50.5
L900	6200001831	S.COL NLV32T-100J	T	91.3/65.5
L930	6130002970	COL LB-343		
L1000	6200001831	S.COL NLV32T-100J	B	64.9/70.2
L1001	6200003261	S.COL NLV32T-101J	T	61.3/55.3
L1300	6200003300	S.COL ELJNC R22K-F	B	76.5/108.7
L1302	6200001920	S.COL ELJNC R15K-F	B	62.1/108.8
L1351	6200001920	S.COL ELJNC R15K-F	B	71.4/97.3
L2051	6200005701	S.COL ELJRE 22NGFA	T	42.8/60.7
L2052	6200005661	S.COL ELJRE 10NGFA	T	49/62.2
L2053	6200005691	S.COL ELJRE 18NGFA	T	44.7/51.8
L2101	6200005741	S.COL ELJRE 47NGFA	T	38.8/50.4
L2201	6200005011	S.COL NLV25T-100J	B	55.6/71.6
L2202	6200005731	S.COL ELJRE 39NGFA	B	55.6/64.9
L2203	6200005661	S.COL ELJRE 10NGFA	T	44.1/66.1
L2400	6200007001	S.COL ELJRE 82NGFA	T	25/43.1
L2401	6200006671	S.COL ELJRE 68NGFA	T	22.9/42.5
L2402	6200009531	S.COL ELJRE R15GFA	T	18.8/45.3
L2403	6200009101	S.COL ELJRE R18GFA	T	16.8/45.8
L2510	6200003261	S.COL NLV32T-101J	B	6/116.4
L2511	6200003261	S.COL NLV32T-101J	T	6.3/118.8
L2512	6200003261	S.COL NLV32T-101J	T	6.4/115.8
L2513	6200003261	S.COL NLV32T-101J	B	19.7/96.7
L2514	6200003261	S.COL NLV32T-101J	B	19.7/93.2
L2515	6200003261	S.COL NLV32T-101J	B	19.7/89.7
L2516	6200003261	S.COL NLV32T-101J	B	19.7/86.2
L2553	6200005681	S.COL ELJRE 15NGFA	B	37.9/87.5
L3002	6200003661	S.COL NLV25T-R68J	T	53.4/122.3
L3003	6140002551	S.COL #617DB-1919=P3	T	49.1/119
L3010	6200009181	S.COL ELJRE R10JFA	B	50/114
L3011	6200009181	S.COL ELJRE R10JFA	B	45.2/116.4
L3101	6200005631	S.COL ELJRE 5N6ZFA	B	31.6/121.6
L3102	6200005651	S.COL ELJRE 8N2ZFA	B	29.1/120.6
L3103	6200005691	S.COL ELJRE 18NGFA	B	23.9/115.8
L3104	6200005671	S.COL ELJRE 12NGFA	B	22.6/118
L3105	6200006981	S.COL ELJRE R10JFA	B	25.1/126.4
L3106	6200003261	S.COL NLV32T-101J	B	18.6/126.1
L4000	6200001831	S.COL NLV32T-100J	B	150.3/65.2
L4001	6200003261	S.COL NLV32T-101J	B	170.6/81.1
L4002	6200003261	S.COL NLV32T-101J	B	170.6/84.6
L4003	6200003261	S.COL NLV32T-101J	B	170.6/88.1
L4400	6200003331	S.COL NLV32T-1R0J	B	138.5/103.6
L4450	6200005701	S.COL ELJRE 22NGFA	B	157.3/95
L4451	6200005651	S.COL ELJRE 8N2ZFA	B	150.4/100.7
L4452	6200003261	S.COL NLV32T-101J	B	149.6/93.1
L4453	6200003261	S.COL NLV32T-101J	B	149.6/89.6
L4454	6200003261	S.COL NLV32T-101J	B	149.6/86.1
L4501	6200003261	S.COL NLV32T-101J	B	160.7/119
L4502	6200003261	S.COL NLV32T-101J	B	160.7/122
L4503	6200001920	S.COL ELJNC R15K-F	B	166.2/91.7
L5000	6200005491	S.COL NLV32T-331J	B	120.9/72.6
L5002	6200010800	S.COL C2520C-4R7G-A	T	133.5/102
L5003	6200010800	S.COL C2520C-4R7G-A	T	135.1/87.8
L5100	6190001281	COL #E544GN-110248		
L5101	6200003261	S.COL NLV32T-101J	B	122.1/97
L5102	6200002631	S.COL NLV25T-R10J	T	118.9/95.7
L5103	6200003331	S.COL NLV32T-1R0J	B	116.5/91.5
L5150	6200001831	S.COL NLV32T-100J	T	116.1/108.8
L5151	6200010660	S.COL C2520C-R15G-A (0.15U)	T	122.6/113.8
L5152	6200010670	S.COL C2520C-R18G-A (0.18U)	T	118.6/118.5
L5200	6200001831	S.COL NLV32T-100J	T	123.5/108.8
L5201	6200010660	S.COL C2520C-R15G-A (0.15U)	T	128/114.8
L5202	6200010670	S.COL C2520C-R18G-A (0.18U)	T	131.2/118.1
L5300	6200001831	S.COL NLV32T-100J	B	145.5/34.9
L5500	6200001831	S.COL NLV32T-100J	T	131.4/51
L5501	6200002641	S.COL NLV25T-R15J	T	131.1/41.7
L5502	6200002841	S.COL NLV25T-R22J	T	130.4/38.8
L5601	6130002970	COL LB-343		
L5602	6200001831	S.COL NLV32T-100J	T	159.6/17.4
R107	7030003550	S.RES ERJ3GEYJ 822 V (8.2 k)	T	41.7/22.1
R108	7030003550	S.RES ERJ3GEYJ 822 V (8.2 k)	T	43.1/22.1
R109	7030003550	S.RES ERJ3GEYJ 822 V (8.2 k)	T	44.4/22.1
R110	7030003550	S.RES ERJ3GEYJ 822 V (8.2 k)	T	39.3/32.9
R111	7030003360	S.RES ERJ3GEYJ 221 V (220)	T	45/31.7
R112	7030003360	S.RES ERJ3GEYJ 221 V (220)	T	31.5/7.8
R113	7030003360	S.RES ERJ3GEYJ 221 V (220)	T	31.9/16.8
R114	7030003360	S.RES ERJ3GEYJ 221 V (220)	T	30.3/7.8
R115	7030003360	S.RES ERJ3GEYJ 221 V (220)	T	30.7/16.8
R116	7030003360	S.RES ERJ3GEYJ 221 V (220)	T	28.3/16.8
R117	7030003360	S.RES ERJ3GEYJ 221 V (220)	T	26.7/7.8
R118	7030003360	S.RES ERJ3GEYJ 221 V (220)	T	25.5/7.8
R119	7030003360	S.RES ERJ3GEYJ 221 V (220)	T	29.5/16.8

[PLL UNIT]

REF NO.	ORDER NO.	DESCRIPTION	M.	H/V LOCATION
R120	7030003360	S.RES ERJ3GEYJ 221 V (220)	T	24.7/16.8
R121	7030003360	S.RES ERJ3GEYJ 221 V (220)	T	24.3/7.8
R122	7030003550	S.RES ERJ3GEYJ 822 V (8.2 k)	T	45/33.7
R124	7030003550	S.RES ERJ3GEYJ 822 V (8.2 k)	T	41.6/32.5
R125	7030003550	S.RES ERJ3GEYJ 822 V (8.2 k)	T	42.9/32.5
R205	7030003640	S.RES ERJ3GEYJ 473 V (47 k)	T	33.7/30.5
R206	7030003640	S.RES ERJ3GEYJ 473 V (47 k)	T	19.1/30.5
R207	7030003640	S.RES ERJ3GEYJ 473 V (47 k)	T	32.4/30.5
R208	7030003640	S.RES ERJ3GEYJ 473 V (47 k)	T	17.8/30.5
R209	7030003640	S.RES ERJ3GEYJ 473 V (47 k)	T	31.1/30.5
R210	7030003640	S.RES ERJ3GEYJ 473 V (47 k)	T	16.5/30.5
R211	7030003640	S.RES ERJ3GEYJ 473 V (47 k)	T	29.8/30.5
R212	7030003640	S.RES ERJ3GEYJ 473 V (47 k)	T	15.2/30.5
R213	7030003640	S.RES ERJ3GEYJ 473 V (47 k)	T	28.5/30.5
R214	7030003640	S.RES ERJ3GEYJ 473 V (47 k)	T	13.9/30.5
R215	7030003640	S.RES ERJ3GEYJ 473 V (47 k)	T	27.2/30.5
R216	7030003640	S.RES ERJ3GEYJ 473 V (47 k)	T	12.6/30.5
R217	7030003640	S.RES ERJ3GEYJ 473 V (47 k)	T	25.9/30.5
R218	7030003640	S.RES ERJ3GEYJ 473 V (47 k)	T	11.3/30.5
R219	7030003640	S.RES ERJ3GEYJ 473 V (47 k)	T	24.6/30.5
R220	7030003640	S.RES ERJ3GEYJ 473 V (47 k)	T	10/30.5
R221	7030003200	S.RES ERJ3GEYJ 100 V (10)	B	34/34.7
R222	7030003200	S.RES ERJ3GEYJ 100 V (10)	B	32.7/33.9
R223	7030003200	S.RES ERJ3GEYJ 100 V (10)	B	31.4/34.7
R224	7030003200	S.RES ERJ3GEYJ 100 V (10)	B	30.1/33.9
R225	7030003200	S.RES ERJ3GEYJ 100 V (10)	B	28.8/34.7
R226	7030003200	S.RES ERJ3GEYJ 100 V (10)	B	27.5/33.9
R227	7030003200	S.RES ERJ3GEYJ 100 V (10)	B	26.2/34.7
R228	7030003200	S.RES ERJ3GEYJ 100 V (10)	B	24.9/33.9
R229	7030003200	S.RES ERJ3GEYJ 100 V (10)	B	19/33.9
R230	7030003200	S.RES ERJ3GEYJ 100 V (10)	B	17.8/33.9
R232	7030003200	S.RES ERJ3GEYJ 100 V (10)	B	15.2/33.9
R233	7030003200	S.RES ERJ3GEYJ 100 V (10)	B	13.9/33.9
R234	7030003200	S.RES ERJ3GEYJ 100 V (10)	B	12.6/33.9
R235	7030003200	S.RES ERJ3GEYJ 100 V (10)	B	11.3/33.9
R236	7030003200	S.RES ERJ3GEYJ 100 V (10)	B	10/33.9
R350	7030003360	S.RES ERJ3GEYJ 221 V (220)	T	112.9/17.6
R351	7030003360	S.RES ERJ3GEYJ 221 V (220)	T	111.6/17.6
R352	7030003360	S.RES ERJ3GEYJ 221 V (220)	T	110.3/17.6
R401	7030010260	S.RES ERJ1TYJ 3R3 U	T	45.8/13.9
R402	7030011220	S.RES ERJ1TY 180U (18)	B	78.8/20.3
R403	7030011220	S.RES ERJ1TY 180U (18)	B	78.8/16.6
R450	7030003340	S.RES ERJ3GEYJ 151 V (150)	T	127.3/56.6
R451	7030003240	S.RES ERJ3GEYJ 220 V (22)	T	124.6/60.9
R452	7030003640	S.RES ERJ3GEYJ 473 V (47 k)	T	127.3/59
R453	7030003360	S.RES ERJ3GEYJ 221 V (220)	T	127.5/62.8
R454	7030003320	S.RES ERJ3GEYJ 101 V (100)	T	132.7/64.1
R455	7030003860	S.RES ERJ3GE JPW V	T	132.7/62.8
R500	7030003440	S.RES ERJ3GEYJ 102 V (1 k)	T	65.9/39.8
R501	7030003320	S.RES ERJ3GEYJ 101 V (100)	T	69.6/36.1
R502	7030003480	S.RES ERJ3GEYJ 222 V (2.2 k)	T	65.9/33.6
R550	7030003400	S.RES ERJ3GEYJ 471 V (470)	T	125/45.5
R551	7030003600	S.RES ERJ3GEYJ 223 V (22 k)	T	119.9/42.9
R552	7030003560	S.RES ERJ3GEYJ 103 V (10 k)	T	126.2/43.4
R553	7030003260	S.RES ERJ3GEYJ 330 V (33)	B	118.4/47.8
R605	7030003860	S.RES ERJ3GE JPW V	B	130.4/42.9
R606	7030003410	S.RES ERJ3GEYJ 561 V (560)	T	118.4/39.1
R607	7030007860	S.RES ERJ3GEYJ 8R2V (8.2)	T	119.5/36.5
R608	7030003410	S.RES ERJ3GEYJ 561 V (560)	T	117.2/36.5
R650	7030007220	S.RES ERA3YED 202V (2 k)	T	78.5/33
R651	7030007220	S.RES ERA3YED 202V (2 k)	T	79.2/34.9
R652	7030007230	S.RES ERA3YED 102V (1 k)	T	80.6/32.7
R653	7030007220	S.RES ERA3YED 202V (2 k)	T	80.6/35.3
R654	7030007230	S.RES ERA3YED 102V (1 k)	T	81.9/32.7
R655	7030007220	S.RES ERA3YED 202V (2 k)	T	81.9/35.3
R656	7030007230	S.RES ERA3YED 102V (1 k)	T	83.3/32.7
R657	7030007220	S.RES ERA3YED 202V (2 k)	T	83.2/35.3
R658	7030007230	S.RES ERA3YED 102V (1 k)	T	

[PLL UNIT]

REF NO.	ORDER NO.	DESCRIPTION	M.	H/V LOCATION
R830	7030003500	S.RES ERJ3GEYJ 332 V (3.3 k)	B	102.6/83.9
R831	7030003470	S.RES ERJ3GEYJ 182 V (1.8 k)	B	101.1/85.9
R832	7030003470	S.RES ERJ3GEYJ 182 V (1.8 k)	B	97.1/88.2
R834	7030003500	S.RES ERJ3GEYJ 332 V (3.3 k)	B	99.5/89
R835	7030003320	S.RES ERJ3GEYJ 101 V (100)	B	91.4/87.4
R836	7030003840	S.RES ERJ3GEYJ 225 V (2.2 M)	B	96/60.7
R837	7030005321	S.RES ERA3YED 103V (10 k)	T	93.9/57.7
R838	7030010600	S.RES ERA3YHD 150V (15)	B	96/59.4
R839	7030009661	S.RES ERA3YED 121V (120)	T	91.2/57.2
R860	7030003860	S.RES ERJ3GE JPW V	B	90.5/65.8
R861	7030003400	S.RES ERJ3GEYJ 471 V (470)	B	92.7/63.5
R862	7030003860	S.RES ERJ3GE JPW V	B	93/66.9
R863	7030003320	S.RES ERJ3GEYJ 101 V (100)	B	92.5/73.2
R864	7030003360	S.RES ERJ3GEYJ 221 V (220)	B	92.2/72.1
R865	7030003640	S.RES ERJ3GEYJ 473 V (47 k)	B	91.4/69.7
R900	7030003320	S.RES ERJ3GEYJ 101 V (100)	B	86.7/73.9
R901	7030003350	S.RES ERJ3GEYJ 181 V (180)	T	89.7/73.5
R902	7030003340	S.RES ERJ3GEYJ 151 V (150)	T	88.4/65.5
R903	7030003680	S.RES ERJ3GEYJ 104 V (100 k)	T	91/73.5
R904	7030003680	S.RES ERJ3GEYJ 104 V (100 k)	T	88.7/70.3
R930	7030003560	S.RES ERJ3GEYJ 103 V (10 k)	T	101/65.8
R931	7030003560	S.RES ERJ3GEYJ 103 V (10 k)	T	103/68.6
R932	7030003440	S.RES ERJ3GEYJ 102 V (1 k)	B	104.9/66.8
R1000	7030003490	S.RES ERJ3GEYJ 272 V (2.7 k)	T	69.4/73.4
R1001	7030003320	S.RES ERJ3GEYJ 101 V (100)	B	70.7/67.1
R1002	7030003360	S.RES ERJ3GEYJ 221 V (220)	B	63.4/58.5
R1003	7030003360	S.RES ERJ3GEYJ 221 V (220)	B	65.2/58.5
R1004	7030003360	S.RES ERJ3GEYJ 221 V (220)	B	67/58.5
R1005	7030003440	S.RES ERJ3GEYJ 102 V (1 k)	T	70.7/65.8
R1006	7030003520	S.RES ERJ3GEYJ 472 V (4.7 k)	T	60.6/58.6
R1007	7030009961	S.RES ERA3YED 221V (220)	B	68.5/71.4
R1009	7030007230	S.RES ERA3YED 102V (1 k)	B	70.1/69.5
R1010	7030007230	S.RES ERA3YED 102V (1 k)	B	73.8/69.1
R1011	7030003860	S.RES ERJ3GE JPW V	B	79.8/82.9
R1014	7030003860	S.RES ERJ3GE JPW V	B	74.6/66.3
R1016	7030003860	S.RES ERJ3GE JPW V	B	70.5/60.3
R1303	7030003220	S.RES ERJ3GEYJ 150 V (15)	B	71.1/111.8
R1304	7030003270	S.RES ERJ3GEYJ 390 V (39)	B	69.3/108.7
R1305	7030003260	S.RES ERJ3GEYJ 330 V (33)	B	68.5/105.2
R1306	7030003250	S.RES ERJ3GEYJ 270 V (27)	B	68.5/106.5
R1307	7030003200	S.RES ERJ3GEYJ 100 V (10)	B	82.2/108.4
R1308	7030003200	S.RES ERJ3GEYJ 100 V (10)	B	62.4/105.3
R1309	7030003370	S.RES ERJ3GEYJ 271 V (270)	B	62.1/113.6
R1310	7030003230	S.RES ERJ3GEYJ 180 V (18)	B	59.7/112.7
R1311	7030003370	S.RES ERJ3GEYJ 271 V (270)	B	59/115.1
R1351	7030003270	S.RES ERJ3GEYJ 390 V (39)	B	70.8/108.6
R1352	7030003260	S.RES ERJ3GEYJ 330 V (33)	B	73/107.9
R1353	7030003250	S.RES ERJ3GEYJ 270 V (27)	B	70.8/106
R1354	7030003200	S.RES ERJ3GEYJ 100 V (10)	B	71.7/94.9
R1355	7030003370	S.RES ERJ3GEYJ 271 V (270)	B	65.6/98.6
R1356	7030003230	S.RES ERJ3GEYJ 180 V (18)	B	63.3/97.9
R1357	7030003370	S.RES ERJ3GEYJ 271 V (270)	B	60.9/98.6
R2050	7030003260	S.RES ERJ3GEYJ 330 V (33)	T	39.6/63.4
R2051	7030003260	S.RES ERJ3GEYJ 330 V (33)	T	41.1/65.8
R2052	7030003250	S.RES ERJ3GEYJ 270 V (27)	T	39.6/64.6
R2054	7030003440	S.RES ERJ3GEYJ 102 V (1 k)	B	44.3/60.9
R2055	7030003400	S.RES ERJ3GEYJ 471 V (470)	T	39.6/59.2
R2056	7030003440	S.RES ERJ3GEYJ 102 V (1 k)	T	37.6/56
R2057	7030003440	S.RES ERJ3GEYJ 102 V (1 k)	B	44.3/54.8
R2102	7030003200	S.RES ERJ3GEYJ 100 V (10)	T	49.8/55.8
R2103	7030003400	S.RES ERJ3GEYJ 471 V (470)	T	48.4/53.1
R2104	7030003210	S.RES ERJ3GEYJ 120 V (12)	T	46.5/52.4
R2105	7030003400	S.RES ERJ3GEYJ 471 V (470)	T	48.4/51.6
R2107	7030003860	S.RES ERJ3GE JPW V	T	39.7/55.2
R2200	7030003440	S.RES ERJ3GEYJ 102 V (1 k)	B	59.1/107.1
R2300	7030003560	S.RES ERJ3GEYJ 103 V (10 k)	T	41.7/46.5
R2301	7030003200	S.RES ERJ3GEYJ 100 V (10)	T	43.8/43
R2302	7030003860	S.RES ERJ3GE JPW V	T	39.8/45.6
R2304	7030003320	S.RES ERJ3GEYJ 101 V (100)	T	26.2/43.3
R2306	7030003320	S.RES ERJ3GEYJ 101 V (100)	T	26/45.9
R2307	7030003200	S.RES ERJ3GEYJ 100 V (10)	T	37/42.2
R2308	7030003440	S.RES ERJ3GEYJ 102 V (1 k)	T	31.6/43.6
R2309	7030003560	S.RES ERJ3GEYJ 103 V (10 k)	T	29.5/46.9
R2310	7030003200	S.RES ERJ3GEYJ 100 V (10)	T	27.4/43
R2500	7030003350	S.RES ERJ3GEYJ 181 V (180)	T	5.6/84.5
R2501	7030003250	S.RES ERJ3GEYJ 270 V (27)	T	7.6/83.3
R2502	7030003350	S.RES ERJ3GEYJ 181 V (180)	T	5.6/83
R2561	7030003520	S.RES ERJ3GEYJ 472 V (4.7 k)	B	19.4/116.1
R2562	7030003440	S.RES ERJ3GEYJ 102 V (1 k)	B	21.9/109.9
R2563	7030003520	S.RES ERJ3GEYJ 472 V (4.7 k)	B	19.4/121.2
R2564	7030003440	S.RES ERJ3GEYJ 102 V (1 k)	B	19.4/109.2
R2565	7030003430	S.RES ERJ3GEYJ 821 V (820)	B	37.2/81.7
R2566	7030004030	S.RES ERJ3GEYJ 5R6 V (5.6)	B	40.5/81.7
R2567	7030003430	S.RES ERJ3GEYJ 821 V (820)	B	43/80.9
R2571	7030003330	S.RES ERJ3GEYJ 121 V (120)	B	30/93.4
R2572	7030003290	S.RES ERJ3GEYJ 560 V (56)	B	29.2/90.8
R2573	7030003330	S.RES ERJ3GEYJ 121 V (120)	B	29.2/87.5
R2574	7030003200	S.RES ERJ3GEYJ 100 V (10)	B	37.9/90.8
R3003	7030003520	S.RES ERJ3GEYJ 472 V (4.7 k)	B	11.9/85.7
R3006	7030003370	S.RES ERJ3GEYJ 271 V (270)	B	48.4/121.2
R3007	7030003230	S.RES ERJ3GEYJ 180 V (18)	B	47.6/123.6
R3008	7030003370	S.RES ERJ3GEYJ 271 V (270)	B	46.8/121.2
R3009	7030003320	S.RES ERJ3GEYJ 101 V (100)	B	51.6/112.4
R3012	7030003320	S.RES ERJ3GEYJ 101 V (100)	B	43.6/118
R3013	7030003380	S.RES ERJ3GEYJ 331 V (330)	T	46.1/124
R3014	7030003400	S.RES ERJ3GEYJ 471 V (470)	B	51.6/120.4
R3015	7030003480	S.RES ERJ3GEYJ 222 V (2.2 k)	B	51.6/118.8
R3016	7030003200	S.RES ERJ3GEYJ 100 V (10)	B	55.5/120.2
R3101	7030003440	S.RES ERJ3GEYJ 102 V (1 k)	B	28.4/123.9
R3102	7030003440	S.RES ERJ3GEYJ 102 V (1 k)	B	21.9/123.9
R4000	7030003400	S.RES ERJ3GEYJ 471 V (470)	T	155.2/67
R4001	7030003360	S.RES ERJ3GEYJ 221 V (220)	B	151.7/61.4
R4002	7030003320	S.RES ERJ3GEYJ 101 V (100)	B	153.5/61.4
R4003	7030003360	S.RES ERJ3GEYJ 221 V (220)	B	147.3/59.3

[PLL UNIT]

REF NO.	ORDER NO.	DESCRIPTION	M.	H/V LOCATION
R4004	7030003360	S.RES ERJ3GEYJ 221 V (220)	B	148.5/60.7
R4005	7030003360	S.RES ERJ3GEYJ 221 V (220)	B	148.5/62.5
R4006	7030003440	S.RES ERJ3GEYJ 102 V (1 k)	B	151.9/54.7
R4007	7030003840	S.RES ERJ3GEYJ 225 V (2.2 M)	B	159.7/65.6
R4050	7030007230	S.RES ERA3YED 102V (1 k)	T	157.1/64.1
R4051	7030007661	S.RES ERA3YED 331V (330)	T	158.4/64.1
R4403	7030003200	S.RES ERJ3GEYJ 100 V (10)	B	139/107
R4404	7030003440	S.RES ERJ3GEYJ 102 V (1 k)	B	151.6/96.1
R4450	7030003440	S.RES ERJ3GEYJ 102 V (1 k)	B	158/90.6
R4451	7030003440	S.RES ERJ3GEYJ 102 V (1 k)	B	152.8/99.9
R4452	7030003680	S.RES ERJ3GEYJ 104 V (100 k)	B	164.3/86.1
R4453	7030003440	S.RES ERJ3GEYJ 102 V (1 k)	B	160.1/98.6
R4454	7030003680	S.RES ERJ3GEYJ 104 V (100 k)	B	160.2/86.1
R4503	7030003310	S.RES ERJ3GEYJ 220 V (82)	B	167/118.5
R4504	7030003320	S.RES ERJ3GEYJ 101 V (100)	B	169.8/117.9
R4505	7030003310	S.RES ERJ3GEYJ 820 V (82)	B	172.5/119.4
R4512	7030003220	S.RES ERJ3GEYJ 150 V (15)	B	160.1/102.5
R4513	7030003220	S.RES ERJ3GEYJ 150 V (15)	B	160.8/105
R4514	7030003240	S.RES ERJ3GEYJ 220 V (22)	B	162.6/101.7
R4515	7030003200	S.RES ERJ3GEYJ 100 V (10)	B	170.4/94.2
R4516	7030003230	S.RES ERJ3GEYJ 180 V (18)	B	161.4/91.5
R4517	7030003370	S.RES ERJ3GEYJ 271 V (270)	B	160.7/94.1
R4518	7030003370	S.RES ERJ3GEYJ 271 V (270)	B	160.7/89
R4519	7030003340	S.RES ERJ3GEYJ 151 V (150)	B	165.2/101
R4520	7030007860	S.RES ERJ3GEYJ 8R2V (8.2)	B	162.6/98.4
R5000	7030003360	S.RES ERJ3GEYJ 221 V (220)	B	123.3/71.4
R5001	7030003360	S.RES ERJ3GEYJ 221 V (220)	B	125.1/71.4
R5002	7030003360	S.RES ERJ3GEYJ 221 V (220)	B	124.2/68.8
R5004	7030003320	S.RES ERJ3GEYJ 101 V (100)	B	149.3/81.1
R5005	7030003440	S.RES ERJ3GEYJ 102 V (1 k)	B	130.2/70.9
R5006	7030003320	S.RES ERJ3GEYJ 101 V (100)	B	128/73
R5007	7030003500	S.RES ERJ3GEYJ 332 V (3.3 k)	B	141.5/74.7
R5008	7030003860	S.RES ERJ3GE JPW V	T	129.6/78.8
R5009	7030003470	S.RES ERJ3GEYJ 182 V (1.8 k)	B	141.5/76.5
R5010	7030003500	S.RES ERJ3GEYJ 332 V (3.3 k)	B	140.2/82.9
R5011	7030003470	S.RES ERJ3GEYJ 182 V (1.8 k)	B	140.2/84.7
R5012	7030003440	S.RES ERJ3GEYJ 102 V (1 k)	B	135.2/101.8
R5013	7030010450	S.RES ERA3YED 391V (390)	T	130.5/76.2
R5014	7030003860	S.RES ERJ3GE JPW V	T	130.5/77.5
R5015	7030003840	S.RES ERJ3GEYJ 225 V (2.2 M)	B	140.2/86.5
R5016	7030003440	S.RES ERJ3GEYJ 102 V (1 k)	B	131.4/98.7
R5017	7030003440	S.RES ERJ3GEYJ 102 V (1 k)	B	136/92.2
R5019	7030003860	S.RES ERJ3GE JPW V	B	118.9/64.4
R5020	7030003240	S.RES ERJ3GEYJ 220 V (22)	B	115.9/71.6
R5021	7030003360	S.RES ERJ3GEYJ 221 V (220)	B	115.9/69.8
R5022	7030003640	S.RES ERJ3GEYJ 473 V (47 k)	B	116.6/67.2
R5100	7030003320	S.RES ERJ3GEYJ 101 V (100)	B	124.9/100.8
R5101	7030003680	S.RES ERJ3GEYJ 104 V (100 k)	T	126.6/102.8
R5102	7030003680	S.RES ERJ3GEYJ 104 V (100 k)	B	128.7/102.8
R5103	7030003370	S.RES ERJ3GEYJ 271 V (270)	B	122.9/93.5
R5104	7030003500	S.RES ERJ3GEYJ 332 V (3.3 k)	T	120.8/98
R5105	7030003550	S.RES ERJ3GEYJ 822 V (8.2 k)	T	120.8/102.5
R5106	7030003320	S.RES ERJ3GEYJ 101 V (100)	B	119.4/95.7
R5107	7030003370	S.RES ERJ3GEYJ 271 V (270)	T	119.5/102.7
R5108	7030003400	S.RES ERJ3GEYJ 471 V (470)	B	115.7/102.5
R5109	7030003370	S.RES ERJ3GEYJ 271 V (270)	B	117.5/102.5
R5110	7030003230	S.RES ERJ3GEYJ 180 V (18)	B	117.5/105.8
R5111	7030003370	S.RES ERJ3GEYJ 271 V (270)	B	120.1/110
R5112	7030003200	S.RES ERJ3GEYJ 100 V (10)	B	120.5/85.7
R5113	7030003860	S.RES ERJ3GE JPW V	B	120.9/107.8
R5150	7030003400	S.RES ERJ3GEYJ 471 V (470)	T	123.7/106.6
R5151	7030003510	S.RES ERJ3GEYJ 392 V (3.9 k)	T	119.8/108
R5152	7030003510	S.RES ERJ3GEYJ 392 V (3.9 k)	T	118.1/106.6
R5153	7030003360	S.RES ERJ3GEYJ 221 V (220)	T	116.8/112.3
R5154	7030003370	S.RES ERJ3GEYJ 271 V (270)	T	122.2/116.7
R5155	7030003230	S.RES ERJ3GEYJ 180 V (18)	T	122.2/118
R5156	7030003370	S.RES ERJ3GEYJ 271 V (270)	T	124.2/117.3
R5200	7030003400	S.RES ERJ3GEYJ 471 V (470)	T	127.3/106.2
R5201	7030003510	S.RES ERJ3GEYJ 392 V (3.9 k)	T	127.3/107.4
R5202	7030003510	S.RES ERJ3GEYJ 392 V (3.9 k)	T	130.6/106.9
R5203	7030003360	S.RES ERJ3GEYJ 221 V (220)	T	127.2/111.2
R5204	7030003370	S.RES ERJ3GEYJ 271 V (270)	T	131.6/121.7
R5205	7030003230	S.RES ERJ3GEYJ 180 V (18)	T	134.2/118.1

[PLL UNIT]

REF NO.	ORDER NO.	DESCRIPTION	M.	H/V LOCATION
R5329	7030007210	S.RES ERA3YEB 102V (1 k)	T	151.6/51.2
R5400	7030003400	S.RES ERJ3GEYJ 471 V (470)	T	147.6/53.1
R5401	7030003400	S.RES ERJ3GEYJ 471 V (470)	T	147.1/43.7
R5402	7030003320	S.RES ERJ3GEYJ 101 V (100)	B	172.5/30.8
R5403	7030003480	S.RES ERJ3GEYJ 222 V (2.2 k)	B	166.1/28.6
R5404	7030003470	S.RES ERJ3GEYJ 182 V (1.8 k)	B	169.7/30.2
R5405	7030003360	S.RES ERJ3GEYJ 221 V (220)	B	166.4/34.1
R5406	7030003370	S.RES ERJ3GEYJ 271 V (270)	B	168.2/40.6
R5407	7030003230	S.RES ERJ3GEYJ 180 V (18)	B	170.3/39.3
R5408	7030003370	S.RES ERJ3GEYJ 271 V (270)	B	171.4/1.7
R5500	7030003360	S.RES ERJ3GEYJ 221 V (220)	B	130.4/45.5
R5501	7030003480	S.RES ERJ3GEYJ 222 V (2.2 k)	T	133.3/44.9
R5502	7030003370	S.RES ERJ3GEYJ 271 V (270)	T	135.5/49.4
R5503	7030003470	S.RES ERJ3GEYJ 182 V (1.8 k)	T	133.2/48.8
R5504	7030003440	S.RES ERJ3GEYJ 102 V (1 k)	T	131.3/45.5
R5505	7030003370	S.RES ERJ3GEYJ 271 V (270)	T	132.3/36.5
R5506	7030003230	S.RES ERJ3GEYJ 180 V (18)	T	130.4/35.8
R5507	7030003370	S.RES ERJ3GEYJ 271 V (270)	T	132.3/35
R5601	7030003800	S.RES ERJ3GEYJ 105 V (1 M)	B	154.1/29.6
R5602	7030003200	S.RES ERJ3GEYJ 100 V (10)	B	151.5/34.2
R5603	7030007230	S.RES ERA3YED 102V (1 k)	T	152.2/26
R5604	7030009691	S.RES ERA3YED 101V (100)	T	157.5/24.5
R5605	7030005321	S.RES ERA3YED 103V (10 k)	T	156.2/24.5
R5606	7030003560	S.RES ERJ3GEYJ 103 V (10 k)	T	147.9/14.4
R5607	7030003560	S.RES ERJ3GEYJ 103 V (10 k)	T	149.9/17.2
R5608	7030003680	S.RES ERJ3GEYJ 104 V (100 k)	T	162.2/12.6
R5609	7030003680	S.RES ERJ3GEYJ 104 V (100 k)	T	159.9/9.4
R5610	7030003340	S.RES ERJ3GEYJ 151 V (150)	T	162.5/17.4
R5611	7030003350	S.RES ERJ3GEYJ 181 V (180)	T	161.2/9.5
R5612	7030003320	S.RES ERJ3GEYJ 101 V (100)	B	164.7/9.5
R5613	7030003640	S.RES ERJ3GEYJ 473 V (47 k)	B	160.7/14.7
R5614	7030003360	S.RES ERJ3GEYJ 221 V (220)	B	162.3/14.7
R5615	7030003320	S.RES ERJ3GEYJ 101 V (100)	B	162.3/10
R5616	7030003220	S.RES ERJ3GEYJ 150 V (15)	B	163.6/17.8
R5617	7030003220	S.RES ERJ3GEYJ 150 V (15)	B	165.2/21.2
R5618	7030003310	S.RES ERJ3GEYJ 820 V (82)	B	163.6/21.2
R5619	7030003240	S.RES ERJ3GEYJ 220 V (22)	B	142.7/32.8
R5620	7030003320	S.RES ERJ3GEYJ 101 V (100)	B	163.6/24.5
R5621	7030003320	S.RES ERJ3GEYJ 101 V (100)	B	161.1/25.2
R5622	7030003640	S.RES ERJ3GEYJ 473 V (47 k)	T	149.4/24.3
R5623	7030003360	S.RES ERJ3GEYJ 221 V (220)	T	147.1/25.8
R5624	7030003350	S.RES ERJ3GEYJ 181 V (180)	B	166.3/24.5
R5625	7030003260	S.RES ERJ3GEYJ 330 V (33)	B	168.9/25.4
R5626	7030003350	S.RES ERJ3GEYJ 181 V (180)	B	169.6/27
R5630	7030003440	S.RES ERJ3GEYJ 102 V (1 k)	B	146/17.1
R5631	7030003320	S.RES ERJ3GEYJ 101 V (100)	B	157.1/33.2
R5632	7030003840	S.RES ERJ3GEYJ 225 V (2.2 M)	T	136.1/10.3
R5633	7030003860	S.RES ERJ3GE JPW V	T	146.7/28.9
C100	4030011600	S.CER C1608 JB 1E 104K-T	B	47.3/18.8
C104	4030011600	S.CER C1608 JB 1E 104K-T	T	37.1/29.2
C106	4030006860	S.CER C1608 JB 1H 102K-T	B	26.5/13.1
C107	4030007050	S.CER C1608 CH 1H 220J-T	T	25.9/16.8
C108	4030007050	S.CER C1608 CH 1H 220J-T	T	29.1/17.8
C109	4030006860	S.CER C1608 JB 1H 102K-T	T	27.1/16.8
C110	4030007050	S.CER C1608 CH 1H 220J-T	T	27.9/17.8
C111	4030007050	S.CER C1608 CH 1H 220J-T	T	23.5/16.8
C112	4030007050	S.CER C1608 CH 1H 220J-T	T	23.1/17.8
C114	4030006860	S.CER C1608 JB 1H 102K-T	B	24.2/7.8
C115	4030006860	S.CER C1608 JB 1H 102K-T	B	19.2/7.4
C200	4030011600	S.CER C1608 JB 1E 104K-T	B	21.4/22.1
C213	4030011600	S.CER C1608 JB 1E 104K-T	B	6.2/22.1
C300	4030011600	S.CER C1608 JB 1E 104K-T	B	130/7.9
C301	4030011600	S.CER C1608 JB 1E 104K-T	T	19.8/22.3
C303	4030011600	S.CER C1608 JB 1E 104K-T	T	34.8/22.9
C350	4510008500	S.ELE EEE1CA101WP	T	102.2/22.2
C351	4030006880	S.CER C1608 JB 1H 472K-T	T	107.1/20.8
C352	4030017810	S.CER C1608 CH 1H 102J-T	T	107.1/23.6
C400	4510008500	S.ELE EEE1CA101WP	T	64/8.3
C401	4510008500	S.ELE EEE1CA101WP	T	96.4/6.5
C403	4030011600	S.CER C1608 JB 1E 104K-T	B	37.6/9.2
C404	4030011600	S.CER C1608 JB 1E 104K-T	B	88.8/10.8
C406	4030011600	S.CER C1608 JB 1E 104K-T	B	37.6/6.2
C407	4030011600	S.CER C1608 JB 1E 104K-T	B	80.9/10.8
C409	4510008520	S.ELE EEE1CA470SP	T	40.5/8.3
C410	4510008520	S.ELE EEE1CA470SP	T	72.9/5.5
C450	4030011600	S.CER C1608 JB 1E 104K-T	T	127.3/57.8
C451	4030011600	S.CER C1608 JB 1E 104K-T	T	130.1/62.8
C452	4030011600	S.CER C1608 JB 1E 104K-T	T	124.6/62.1
C500	4030011600	S.CER C1608 JB 1E 104K-T	T	68.4/36.1
C501	4510008540	S.ELE EEE1CA100SR	T	69/40.4
C503	4030017810	S.CER C1608 CH 1H 102J-T	T	64.7/39.8
C550	4030007070	S.CER C1608 CH 1H 330J-T	T	118.1/41.3
C551	4030009540	S.CER C1608 CH 1H 1R5B-T	B	122.2/44.3
C552	4030006880	S.CER C1608 JB 1H 472K-T	T	117.2/44.6
C553	4030007070	S.CER C1608 CH 1H 330J-T	B	121.4/46.1
C554	4030011600	S.CER C1608 JB 1E 104K-T	T	126.2/45.5
C555	4030011600	S.CER C1608 JB 1E 104K-T	T	117.2/42.9
C556	4030011600	S.CER C1608 JB 1E 104K-T	B	124.9/44.8
C557	4510008500	S.ELE EEE1CA101WP	T	119.6/62.3
C558	4030011600	S.CER C1608 JB 1E 104K-T	B	119.2/49.7
C559	4030017810	S.CER C1608 CH 1H 102J-T	B	119.2/50.9
C601	4030017810	S.CER C1608 CH 1H 102J-T	B	98.4/94.9
C602	4030017810	S.CER C1608 CH 1H 102J-T	B	98.4/97.9
C603	4030017810	S.CER C1608 CH 1H 102J-T	B	98.4/100.9
C604	4030006860	S.CER C1608 JB 1H 102K-T	B	84.5/114.1
C605	4030006860	S.CER C1608 JB 1H 102K-T	B	84.5/117.7
C606	4030006860	S.CER C1608 JB 1H 102K-T	B	84.5/121.3
C700	4030006990	S.CER C1608 CH 1H 080D-T	T	91.3/35.6
C701	4030007030	S.CER C1608 CH 1H 150J-T	T	93.9/35.7
C702	4030007060	S.CER C1608 CH 1H 270J-T	T	96.5/35.7
C703	4030011600	S.CER C1608 JB 1E 104K-T	T	101.7/46.2
C704	4030011600	S.CER C1608 JB 1E 104K-T	T	100.4/32.7

[PLL UNIT]

REF NO.	ORDER NO.	DESCRIPTION	M.	H/V LOCATION
C708	4030011600	S.CER C1608 JB 1E 104K-T	T	101.7/47.5
C750	4030006880	S.CER C1608 JB 1H 472K-T	B	76.3/46.8
C751	4030006880	S.CER C1608 JB 1H 472K-T	T	77.7/57.2
C752	4030011600	S.CER C1608 JB 1E 104K-T	T	76.5/49.2
C753	4030011600	S.CER C1608 JB 1E 104K-T	T	74.2/54.5
C754	4030006880	S.CER C1608 JB 1H 472K-T	T	99/57.1
C755	4030006880	S.CER C1608 JB 1H 472K-T	T	84.4/56.8
C756	4030011600	S.CER C1608 JB 1E 104K-T	B	83/52
C757	4030011600	S.CER C1608 JB 1E 104K-T	B	83/50.2
C758	4030011600	S.CER C1608 JB 1E 104K-T	B	80.2/46.9
C759	4030011600	S.CER C1608 JB 1E 104K-T	B	82.4/43.2
C761	4030011600	S.CER C1608 JB 1E 104K-T	T	97.8/57.1
C763	4030006880	S.CER C1608 JB 1H 472K-T	B	79.6/58.1
C764	4030006880	S.CER C1608 JB 1H 472K-T	B	78.8/56.8
C765	4510008540	S.ELE EEE1CA100SR	T	102.1/56.2
C766	4030006880	S.CER C1608 JB 1H 472K-T	B	79.6/55.5
C767	4030011600	S.CER C1608 JB 1E 104K-T	B	83.6/41.6
C769	4030011600	S.CER C1608 JB 1E 104K-T	B	87.5/51.8
C770	4030011600	S.CER C1608 JB 1E 104K-T	T	88.4/57.6
C771	4030011600	S.CER C1608 JB 1E 104K-T	T	91/41.7
C772	4030011600	S.CER C1608 JB 1E 104K-T	T	95.7/39.2
C773	4030011600	S.CER C1608 JB 1E 104K-T	B	90.7/51.8
C774	4030011600	S.CER C1608 JB 1E 104K-T	B	93.5/57.8
C775	4030011600	S.CER C1608 JB 1E 104K-T	B	92.7/51.8
C776	4030011600	S.CER C1608 JB 1E 104K-T	T	98.5/53.1
C777	4030011600	S.CER C1608 JB 1E 104K-T	T	97.5/48.2
C778	4030011600	S.CER C1608 JB 1E 104K-T	T	97.1/41.7
C779	4030011600	S.CER C1608 JB 1E 104K-T	T	97.1/44.4
C800	4030006880	S.CER C1608 JB 1H 472K-T	B	106.4/62.6
C801	4030006880	S.CER C1608 JB 1H 472K-T	B	97.4/63.5
C802	4030011600	S.CER C1608 JB 1E 104K-T	B	104.8/59.8
C830	4030017810	S.CER C1608 CH 1H 102J-T	B	101.1/83.1
C831	4030017810	S.CER C1608 CH 1H 102J-T	B	91.4/82
C832	4030017810	S.CER C1608 CH 1H 102J-T	B	93.9/88.2
C833	4510008760	S.ELE EEE1HA4R7SR	T	83.7/78.4
C834	4030006880	S.CER C1608 JB 1H 472K-T	T	93.9/56.5
C835	4550007520	S.TAN F931A106MAABMA	B	99.5/57.3
C860	4030006880	S.CER C1608 JB 1H 472K-T	B	93/69.7
C861	4030011600	S.CER C1608 JB 1E 104K-T	B	89.2/72.1
C900	4030006880	S.CER C1608 JB 1H 472K-T	T	88.4/73.5
C901	4030007010	S.CER C1608 CH 1H 100D-T	B	90.5/67.4
C902	4510008540	S.ELE EEE1CA100SR	T	92.7/78.9
C903	4030006880	S.CER C1608 JB 1H 472K-T	B	88.7/71.6
C904	4030016550	S.CER CM105 CH 151G 50AT	T	88.7/69
C905	4030016550	S.CER CM105 CH 151G 50AT	T	88.7/67.7
C906	4030016550	S.CER CM105 CH 151G 50AT	T	100.5/71.6
C930	4030007070	S.CER C1608 CH 1H 330J-T	T	101.8/67.8
C931	4030009910	S.CER C1608 CH 1H 040B-T	T	102.9/71.6
C932	4030007070	S.CER C1608 CH 1H 330J-T	T	101.7/71.6
C933	4550007620	S.TAN F931V224MAABMA	B	103/70.1
C1000	4030017810	S.CER C1608 CH 1H 102J-T	T	66.8/73.4
C1001	4030006880	S.CER C1608 JB 1H 472K-T	T	68/74.6
C1002	4030017810	S.CER C1608 CH 1H 102J-T	T	64/73.4
C1003	4030017810	S.CER C1608 CH 1H 102J-T	T	62.8/69.9
C1004	4030011600	S.CER C1608 JB 1E 104K-T	T	67.1/84.6
C1005	4510008540	S.ELE EEE1CA100SR	T	61.7/80
C1006	4030006860	S.CER C1608 JB 1H 102K-T	T	69.8/69.8
C1007	4030011600	S.CER C1608 JB 1E 104K-T	T	69.7/64.6
C1008	4030006880	S.CER C1608 JB 1H 472K-T	T	60.6/57.4
C1009	4550006800	S.TAN TEESVB2 1D 475M-8R	B	66.7/81.7
C1010	4550006800	S.TAN TEESVB2 1D 475M-8R	B	68.5/75.3
C1011	4510008760	S.ELE EEE1HA4R7SR	T	67.2/58.8
C1012	4510008760	S.ELE EEE1HA4R7SR	T	67.2/53
C1014	4030017810	S.CER C1608 CH 1H 102J-T	B	76.2/72.7
C1015	4030017810	S.CER C1608 CH 1H 102J-T	T	78.4/66
C1016	4030007130	S.CER C1608 CH 1H 101J-T	T	78.4/67.2
C1019	4550007310	S.TAN F930J227MNMBA	B	72.6/75.7
C1303	4030017810	S.CER C1608 CH 1H 102J-T	B	80.6/108.4
C1304	4030011600	S.CER C1608 JB 1E 104K-T	B	78.8/108.4
C1305	4510008760	S.ELE EEE1AA471UP	T	60.8/89.2
C1306	4030017810	S.CER C1608 CH 1H 102J-T	B	67.8/108.7
C1307	4030017810	S.CER C1608 CH 1H 102J-T	B	65/109
C1308	4030006860	S.CER C1608 JB 1H 102K-T	B	61.3/111.4
C1309	4030017810	S.CER C1608 CH 1H 102J-T	B	59/110.4
C1351	4030006860	S.CER C1608 JB 1H 102K-T	B	70.8/103.

[PLL UNIT]

REF NO.	ORDER NO.	DESCRIPTION	M.	H/V LOCATION
C1929	405000290	S.FED CNF10R102S-TM	T	2.1/72.6
C2051	4030017810	S.CER C1608 CH 1H 102J-T	T	38.9/66.5
C2052	4030017810	S.CER C1608 CH 1H 102J-T	B	45.1/59
C2053	4030011770	S.CER C1608 CH 1H 060B-T	T	42.1/63.5
C2054	4030006860	S.CER C1608 JB 1H 102K-T	T	38.8/57.3
C2055	4030006860	S.CER C1608 JB 1H 102K-T	T	42.6/53.8
C2056	4030007030	S.CER C1608 CH 1H 150J-T	T	43.5/63.5
C2057	4030011770	S.CER C1608 CH 1H 060B-T	T	45.7/64.3
C2058	4030009910	S.CER C1608 CH 1H 040B-T	T	45.7/63
C2059	4030009550	S.CER C1608 CH 1H 2R5B-T	T	47.8/62.2
C2060	4030009910	S.CER C1608 CH 1H 040B-T	T	45.7/61.8
C2061	4030006990	S.CER C1608 CH 1H 080D-T	T	44.7/50.6
C2062	4030009920	S.CER C1608 CH 1H 050B-T	T	44.7/53
C2063	4030006990	S.CER C1608 CH 1H 080D-T	T	42.8/51.1
C2100	4030017810	S.CER C1608 CH 1H 102J-T	T	48.5/58.5
C2101	4030017810	S.CER C1608 CH 1H 102J-T	T	44.2/59.8
C2102	4030006860	S.CER C1608 JB 1H 102K-T	T	48.5/55.8
C2105	4030007030	S.CER C1608 CH 1H 150J-T	T	41.1/53.7
C2106	4030007050	S.CER C1608 CH 1H 220J-T	T	40.3/51.6
C2201	4030007030	S.CER C1608 CH 1H 150J-T	B	56.8/69
C2202	4030007050	S.CER C1608 CH 1H 220J-T	B	55.6/67.5
C2203	4030007030	S.CER C1608 CH 1H 150J-T	B	54.4/69
C2204	4030009530	S.CER C1608 CH 1H 030B-T	T	46.4/66.8
C2205	4030009520	S.CER C1608 CH 1H 020B-T	T	44.1/67.5
C2206	4030009530	S.CER C1608 CH 1H 030B-T	T	41.9/67.6
C2300	4030007030	S.CER C1608 CH 1H 150J-T	T	43.8/46.2
C2301	4030011600	S.CER C1608 JB 1E 104K-T	T	42/42.7
C2302	4030011600	S.CER C1608 JB 1E 104K-T	T	45.9/47.4
C2303	4030006860	S.CER C1608 JB 1H 102K-T	T	27.2/45.6
C2304	4550006240	S.TAN TEESVB2 0G 336M-8L	T	48.8/42.4
C2305	4030011600	S.CER C1608 JB 1E 104K-T	T	34.1/42.2
C2306	4030006860	S.CER C1608 JB 1H 102K-T	T	31.8/46.2
C2307	4030011600	S.CER C1608 JB 1E 104K-T	T	29.2/43.1
C2400	4030007090	S.CER C1608 CH 1H 470J-T	T	24.8/45.9
C2401	4030007010	S.CER C1608 CH 1H 100D-T	T	23.6/44.4
C2402	4030007100	S.CER C1608 CH 1H 560J-T	T	22.9/46.6
C2403	4030007060	S.CER C1608 CH 1H 270J-T	T	22.2/44.4
C2404	4030007070	S.CER C1608 CH 1H 330J-T	T	20.9/45.8
C2405	4030007090	S.CER C1608 CH 1H 470J-T	T	20.9/43.2
C2406	4030010760	S.CER C1608 CH 1H 331J-T	T	18.8/44.1
C2407	4030007060	S.CER C1608 CH 1H 270J-T	T	18.8/42.9
C2408	4030007140	S.CER C1608 CH 1H 121J-T	T	16.8/43.1
C2409	4030007100	S.CER C1608 CH 1H 560J-T	T	15.6/43.1
C2500	4030017810	S.CER C1608 CH 1H 102J-T	B	10.1/83.9
C2510	4030017810	S.CER C1608 CH 1H 102J-T	B	2.8/115.6
C2511	4030017810	S.CER C1608 CH 1H 102J-T	T	3.7/118.9
C2512	4030017810	S.CER C1608 CH 1H 102J-T	T	3.8/115.2
C2513	4030017810	S.CER C1608 CH 1H 102J-T	B	23.5/96.7
C2514	4030017810	S.CER C1608 CH 1H 102J-T	B	23.5/93.2
C2515	4030017810	S.CER C1608 CH 1H 102J-T	B	23.5/89.7
C2516	4030017810	S.CER C1608 CH 1H 102J-T	B	23.5/86.2
C2556	4030017810	S.CER C1608 CH 1H 102J-T	B	29.2/95.9
C2557	4030017810	S.CER C1608 CH 1H 102J-T	B	31.8/88.3
C2558	4030017810	S.CER C1608 CH 1H 102J-T	B	35.2/89.9
C2559	4030017810	S.CER C1608 CH 1H 102J-T	B	37.9/84.2
C2561	4030017810	S.CER C1608 CH 1H 102J-T	B	18.6/118.6
C2562	4030017810	S.CER C1608 CH 1H 102J-T	B	20.1/106.6
C2563	4030017810	S.CER C1608 CH 1H 102J-T	B	21.9/106.6
C3001	4030017810	S.CER C1608 CH 1H 102J-T	T	50.6/114
C3004	4030017810	S.CER C1608 CH 1H 102J-T	B	49.2/125.2
C3005	4030017810	S.CER C1608 CH 1H 102J-T	B	44.4/122
C3006	4030017810	S.CER C1608 CH 1H 102J-T	B	46.8/114
C3008	4030006860	S.CER C1608 JB 1H 102K-T	B	54.8/118
C3010	4030017810	S.CER C1608 CH 1H 102J-T	T	47.6/114
C3101	4030009910	S.CER C1608 CH 1H 040B-T	B	32.7/117.3
C3102	4030009530	S.CER C1608 CH 1H 030B-T	B	31.6/119.8
C3103	4030006980	S.CER C1608 CH 1H 070D-T	B	30.9/117.3
C3104	4030009510	S.CER C1608 CH 1H 010B-T	B	27.3/120.6
C3105	4030009910	S.CER C1608 CH 1H 040B-T	B	29.1/117.3
C3106	4030009910	S.CER C1608 CH 1H 040B-T	B	27.3/117.3
C3107	4030006980	S.CER C1608 CH 1H 070D-T	B	25.5/117.3
C3108	4030009550	S.CER C1608 CH 1H 2R5B-T	B	25.5/120.6
C3109	4030007050	S.CER C1608 CH 1H 220J-T	B	21.9/120.6
C3110	4030009920	S.CER C1608 CH 1H 050B-T	B	23.7/120.6
C3111	4030017810	S.CER C1608 CH 1H 102J-T	B	28.4/127.2
C3112	4030017810	S.CER C1608 CH 1H 102J-T	B	21.9/127.2
C3113	4030017810	S.CER C1608 CH 1H 102J-T	B	13.2/126.1
C4000	4550007140	S.TAN TEESVD 1C 107M12R	B	157.2/63
C4001	4030017810	S.CER C1608 CH 1H 102J-T	T	149.8/66.7
C4002	4030017810	S.CER C1608 CH 1H 102J-T	T	153.9/67
C4003	4030017810	S.CER C1608 CH 1H 102J-T	T	148/65.2
C4004	4030017810	S.CER C1608 CH 1H 102J-T	T	151.9/66.2
C4005	4030011600	S.CER C1608 JB 1E 104K-T	T	151.9/67.5
C4007	4030011600	S.CER C1608 JB 1E 104K-T	B	152.7/52.3
C4008	4030006860	S.CER C1608 JB 1H 102K-T	B	167/81.1
C4009	4030006860	S.CER C1608 JB 1H 102K-T	B	166.6/84.6
C4010	4030006860	S.CER C1608 JB 1H 102K-T	B	166.6/88.1
C4050	4340000310	S.MLR ECHU 1C 333JX5	T	155.4/63
C4051	4550000460	S.TAN TEESVA 1C 105M8R	T	157.7/60.1
C4052	4550000530	S.TAN TEESVA 1V 104M8R	T	160.1/63
C4401	4030017810	S.CER C1608 CH 1H 102J-T	B	148.3/96.8
C4402	4030006860	S.CER C1608 JB 1H 102K-T	B	141.2/106.5
C4403	4030011600	S.CER C1608 JB 1E 104K-T	B	140.6/103.9
C4404	4510008830	S.ELE EEE1CA221P	T	135/111.5
C4450	4030007020	S.CER C1608 CH 1H 120J-T	B	154.3/95
C4451	4030009350	S.CER C1608 CH 1H 3R5B-T	B	148.2/103.1
C4452	4030006970	S.CER C1608 CH 1H 060D-T	B	157.3/93.2
C4453	4030009540	S.CER C1608 CH 1H 1R5B-T	B	147.4/102.5
C4454	4030007020	S.CER C1608 CH 1H 120J-T	B	155.5/91.3
C4455	4030009350	S.CER C1608 CH 1H 3R5B-T	B	151.1/105
C4456	4030017810	S.CER C1608 CH 1H 102J-T	B	157.3/88.1
C4457	4030017810	S.CER C1608 CH 1H 102J-T	B	155.1/98.7
C4458	4030006860	S.CER C1608 JB 1H 102K-T	B	153.6/93.1
C4459	4030006860	S.CER C1608 JB 1H 102K-T	B	153.7/89.6

[PLL UNIT]

REF NO.	ORDER NO.	DESCRIPTION	M.	H/V LOCATION
C4460	4030006860	S.CER C1608 JB 1H 102K-T	B	153.6/86.1
C4461	4030017810	S.CER C1608 CH 1H 102J-T	B	164.9/80.8
C4462	4030017810	S.CER C1608 CH 1H 102J-T	B	161.7/80.7
C4500	4030006860	S.CER C1608 JB 1H 102K-T	B	140.6/119
C4501	4030006860	S.CER C1608 JB 1H 102K-T	B	157/119
C4502	4030006860	S.CER C1608 JB 1H 102K-T	B	157/122
C4513	4030017810	S.CER C1608 CH 1H 102J-T	B	172.5/116
C4562	4030017810	S.CER C1608 CH 1H 102J-T	B	148.5/116.5
C4563	4030017810	S.CER C1608 CH 1H 102J-T	B	164.4/98.4
C4564	4030011600	S.CER C1608 JB 1E 104K-T	B	168/95
C4565	4030017810	S.CER C1608 CH 1H 102J-T	B	166.2/95
C4566	4030017810	S.CER C1608 CH 1H 102J-T	B	163.2/91.5
C4567	4030017810	S.CER C1608 CH 1H 102J-T	B	160.1/100.7
C4901	4050000290	S.FED CNF10R102S-TM	T	144.2/69.8
C4902	4050000290	S.FED CNF10R102S-TM	T	168/54.8
C4903	4050000290	S.FED CNF10R102S-TM	T	170/54.8
C4904	4050000290	S.FED CNF10R102S-TM	T	172/54.8
C4905	4050000290	S.FED CNF10R102S-TM	T	172.3/50.6
C4906	4050000290	S.FED CNF10R102S-TM	T	174.3/50.6
C4907	4050000290	S.FED CNF10R102S-TM	T	176.3/50.6
C4908	4050000290	S.FED CNF10R102S-TM	T	170.3/50.6
C4909	4050000290	S.FED CNF10R102S-TM	T	174/54.8
C4910	4050000300	S.FED CNF10C470S-TM	T	143/57.6
C4911	4050000300	S.FED CNF10C470S-TM	T	143/55.6
C4912	4050000300	S.FED CNF10C470S-TM	T	143/53.6
C4913	4050000290	S.FED CNF10R102S-TM	T	139.2/106.5
C5000	4030006880	S.CER C1608 JB 1H 472K-T	B	119.5/77.9
C5001	4510008540	S.ELE EEE1CA100SR	T	130/71
C5002	4030011600	S.CER C1608 JB 1E 104K-T	B	133.5/70.9
C5003	4030006860	S.CER C1608 JB 1H 102K-T	B	126.9/73.6
C5004	4030011600	S.CER C1608 JB 1E 104K-T	T	119.9/74.5
C5005	4030017810	S.CER C1608 CH 1H 102J-T	T	123.4/70.1
C5006	4030011600	S.CER C1608 JB 1E 104K-T	B	149.3/82.9
C5007	4030017810	S.CER C1608 CH 1H 102J-T	T	133/85.1
C5008	4550006390	S.TAN TEESVA 1C 335M8R	T	130.6/74.5
C5009	4030006860	S.CER C1608 JB 1H 102K-T	B	130.5/101.1
C5010	4550007510	S.TAN F931C106MBABMA	B	127.7/106.1
C5012	4030006900	S.CER C1608 JB 1H 103K-T	T	123.5/79.2
C5013	4340000440	S.MLR ECHU1C684MA5	T	127.3/79.2
C5018	4030006880	S.CER C1608 JB 1H 472K-T	B	118.4/70.8
C5019	4030006880	S.CER C1608 JB 1H 472K-T	B	115.6/64.4
C5020	4030011600	S.CER C1608 JB 1E 104K-T	B	112.6/69.8
C5021	4030006880	S.CER C1608 JB 1H 472K-T	T	119.9/77.2
C5100	4030007130	S.CER C1608 CH 1H 101J-T	T	133.9/97.8
C5101	4030007120	S.CER C1608 CH 1H 820J-T	B	129.1/97.1
C5102	4030007110	S.CER C1608 CH 1H 680J-T	T	131.5/97.8
C5105	4030017810	S.CER C1608 CH 1H 102J-T	T	129.4/103.6
C5106	4030007120	S.CER C1608 CH 1H 820J-T	T	122.2/102.6
C5107	4030007090	S.CER C1608 CH 1H 470J-T	T	122/97.7
C5108	4030006860	S.CER C1608 JB 1H 102K-T	T	128.8/102.2
C5109	4030009520	S.CER C1608 CH 1H 020B-T	T	121.6/100.6
C5110	4030007110	S.CER C1608 CH 1H 680J-T	T	120.8/95.4
C5111	4030007090	S.CER C1608 CH 1H 470J-T	B	119.5/101.3
C5112	4030006860	S.CER C1608 JB 1H 102K-T	T	118.3/102.7
C5113	4030011600	S.CER C1608 JB 1E 104K-T	B	116/95.9
C5114	4030006860	S.CER C1608 JB 1H 102K-T	B	117.6/95.7
C5115	4030006860	S.CER C1608 JB 1H 102K-T	T	122/95.1
C5116	4030006860	S.CER C1608 JB 1H 102K-T	B	117.8/88.1
C5117	4030011600	S.CER C1608 JB 1E 104K-T	B	117/85.5
C5118	4510008830	S.ELE EEE1CA221P	T	125.7/86.5
C5150	4030006860	S.CER C1608 JB 1H 102K-T	T	120.9/106.6
C5151	4030006860	S.CER C1608 JB 1H 102K-T	T	119.6/112.3
C5152	4030006860	S.CER C1608 JB 1H 102K-T	T	116.8/111
C5153	4030007100	S.CER C1608 CH 1H 560J-T	T	118.3/113.6
C5154	4030007070	S.CER C1608 CH 1H 330J-T	T	120.3/114.3
C5155	4030007130	S.CER C1608 CH 1H 101J-T	T	118.3/114.9
C5156	4030007020	S.CER C1608 CH 1H 120J-T	T	118.3/116.2
C5157	4030007110	S.CER C1608 CH 1H 680J-T	T	117.8/120.8
C5200	4030006860	S.CER C1608 JB 1H 102K-T	T	129.3/106.9
C5201	4030006860	S.CER C1608 JB 1H 102K-T		

[PLL UNIT]

REF NO.	ORDER NO.	DESCRIPTION	M.	H/V LOCATION
C5502	4030006880	S.CER C1608 JB 1H 472K-T	T	135.5/46.6
C5503	4030006880	S.CER C1608 JB 1H 472K-T	T	129.8/45.5
C5504	4030007100	S.CER C1608 CH 1H 560J-T	T	134.7/41.5
C5505	4030008750	S.CER C1608 CH 1H 360J-T	T	133.5/41.5
C5506	4030007140	S.CER C1608 CH 1H 121J-T	T	134.2/39.5
C5507	4030007020	S.CER C1608 CH 1H 120J-T	T	132.3/38.9
C5508	4030007110	S.CER C1608 CH 1H 680J-T	T	134.2/38.3
C5601	4030011600	S.CER C1608 JB 1E 104K-T	B	153.7/34.8
C5602	4550000460	S.TAN TEESVA 1C 105M8R	T	160.6/24
C5604	4550007620	S.TAN F931V224MAABMA	B	147.9/12.8
C5605	4030007070	S.CER C1608 CH 1H 330J-T	T	149.2/11.3
C5606	4030007070	S.CER C1608 CH 1H 330J-T	T	149.1/15.1
C5607	4030009510	S.CER C1608 CH 1H 010B-T	T	148/11.3
C5608	4030016550	S.CER CM105 CH 151G 50AT	T	150.4/11.3
C5609	4030016550	S.CER CM105 CH 151G 50AT	T	162.2/13.9
C5610	4030016550	S.CER CM105 CH 151G 50AT	T	162.2/15.2
C5611	4030006880	S.CER C1608 JB 1H 472K-T	T	162.2/11.3
C5612	4030009920	S.CER C1608 CH 1H 050B-T	B	159.2/13.2
C5613	4510008540	S.ELE EEE1CA100SR	T	168.7/11
C5614	4030006860	S.CER C1608 JB 1H 102K-T	T	162.5/9.5
C5615	4030011600	S.CER C1608 JB 1E 104K-T	B	161.6/12.3
C5616	4030006860	S.CER C1608 JB 1H 102K-T	B	161.6/17.1
C5617	4030006860	S.CER C1608 JB 1H 102K-T	B	141.2/32.8
C5618	4030006860	S.CER C1608 JB 1H 102K-T	T	152/23.8
C5619	4030011600	S.CER C1608 JB 1E 104K-T	T	147.9/23
C5620	4030006860	S.CER C1608 JB 1H 102K-T	B	168.9/28.6
C5622	4030006860	S.CER C1608 JB 1H 102K-T	T	170.2/29.1
C5901	4050000300	S.FED CNF10C470S-TM	T	136.7/64.4
C5902	4050000300	S.FED CNF10C470S-TM	T	136.7/60.4
C5903	4050000300	S.FED CNF10C470S-TM	T	136.7/62.4
C5904	4050000290	S.FED CNF10R102S-TM	T	136.7/58.4
C5905	4050000290	S.FED CNF10R102S-TM	T	142.2/69.8
C5906	4050000290	S.FED CNF10R102S-TM	T	140.2/69.8
C5907	4050000290	S.FED CNF10R102S-TM	T	138.2/69.8
CP830	6910009670	S.CHK HK3-S-T	T	107.8/65.4
CP1000	6910009670	S.CHK HK3-S-T	T	83.3/72.4
CP4001	6910009670	S.CHK HK3-S-T	T	168.7/72.2
CP5001	6910009670	S.CHK HK3-S-T	T	135.1/83.6
CP5601	6910009670	S.CHK HK3-S-T	T	142/12.2
J1	6510021721	S.CNR 30FLT-SM2-TB (LF) (SN)	T	28.2/12.6
J450	6510007020	CNR TMP-J01X-V6		
J500	6510007020	CNR TMP-J01X-V6		
J1301	6510007020	CNR TMP-J01X-V6		
J2400	6510007020	CNR TMP-J01X-V6		
J2501	6510023480	S.CNR AYU1-1P-02676-120-TF	T	6.3/80
J4500	6510007020	CNR TMP-J01X-V6		
J5150	6510007020	CNR TMP-J01X-V6		
J5200	6510007020	CNR TMP-J01X-V6		
J5400	6510007020	CNR TMP-J01X-V6		
J5500	6510007020	CNR TMP-J01X-V6		
EP100	6910012350	S.BEA MMZ1608Y 102BT	B	30.3/12.8
EP102	6910014730	S.BEA MPZ2012S331A-T	B	20.8/7.6
EP104	6910014730	S.BEA MPZ2012S331A-T	B	22.6/7.6
EP750	6910012350	S.BEA MMZ1608Y 102BT	T	75.1/58.4
EP751	6910012350	S.BEA MMZ1608Y 102BT	B	81.8/59.9
EP752	6910012350	S.BEA MMZ1608Y 102BT	B	83.6/55.5
EP753	6910012350	S.BEA MMZ1608Y 102BT	B	82.9/56.8
EP754	6910012350	S.BEA MMZ1608Y 102BT	B	83.6/58.1
EP4500	6910012350	S.BEA MMZ1608Y 102BT	B	142.5/119.8

[SCOPE/TV UNIT]

REF NO.	ORDER NO.	DESCRIPTION	M.	H/V LOCATION
IC101	1110005040	S.IC M52342FP 600C	T	14.5/41.6
IC201	1130011741	S.IC TC7W66FK (TE85L,F)	T	28.4/69.6
IC202	1130011741	S.IC TC7W66FK (TE85L,F)	T	10.9/66.8
IC203	1130011741	S.IC TC7W66FK (TE85L,F)	T	27.7/56.8
IC204	1130011741	S.IC TC7W66FK (TE85L,F)	T	9/62.3
IC401	1130011530	S.IC CD74HC4094M96	T	58.2/18.6
IC451	1130012620	S.IC SN74AHC1T1G86DCKR	T	95.8/19.4
IC1001	1110006180	S.IC UPG2009TB-E3	T	63.4/67.6
IC1002	1110006180	S.IC UPG2009TB-E3	T	70/86.8
IC1101	1190002051	S.IC SPM5001-TL-E	T	90.3/70.5
IC1403	1190002130	S.IC AD9852ASTZ	T	87.4/37.4
IC1501	1110006990	S.IC uPC2710TB-E3	T	99.3/49.9
IC1601	1110006131	S.IC uPC4094G2-E1-A	T	135.2/70.4
IC1602	1110006131	S.IC uPC4094G2-E1-A	T	132.7/57.1
IC2001	1130013440	S.IC SN74LVC2G74DCTDR	T	115.2/18.2
IC2201	1190002051	S.IC SPM5001-TL-E	T	55.8/39.2
Q1	1580000751	S.FET 3SK294 (TE85L,F)	B	59.1/17
Q2	1530002561	S.TR 2SC4403-3-TL-E	B	63.4/4
Q101	1590003530	S.TR BCR08PN	T	21.3/42
Q301	1510000620	S.TR 2SA1576 T106 S	T	4.5/66.9
Q501	1590003530	S.TR BCR08PN	T	48.3/26.6
Q551	1590003530	S.TR BCR08PN	T	49.6/16
Q601	1590003530	S.TR BCR08PN	T	50.4/8.7
Q651	1590003530	S.TR BCR08PN	T	50.4/5.3
Q1001	1560000641	S.FET 2SK1740-4/5-TB-E	T	65.3/78.7
Q1002	1560001260	S.FET 2SK3018 T106	B	60.8/84.9
Q1003	1560001260	S.FET 2SK3018 T106	B	67.7/84.3
Q1051	1530003851	S.TR 2SC5551F-TD-E	T	103.3/85.5
Q1202	1560000561	S.FET 2SK882-GR (TE85L,F)	T	123.6/44.8
Q1203	1560000561	S.FET 2SK882-GR (TE85L,F)	T	118.8/38.6
Q1301	1530002060	S.TR 2SC4081 T106 R	T	76.8/51.2
Q1901	1530003151	S.TR 2SC4673D-TD-E	T	68.8/56.6
Q2001	1530002561	S.TR 2SC4403-3-TL-E	T	112.2/25.4
Q2101	1560000641	S.FET 2SK1740-4/5-TB-E	T	61.9/75.7
Q2181	1530003431	S.TR 2SC5226-4-TL-E	B	50/57.4
Q2301	1530003151	S.TR 2SC4673D-TD-E	T	39/60.1
D101	1750000771	S.VCP HVC376BTRF-E	T	15/51
D501	1750000581	S.DIO 1SV307 (TPH3,F)	T	48.2/22.9
D502	1750000581	S.DIO 1SV307 (TPH3,F)	T	14.7/21
D551	1750000581	S.DIO 1SV307 (TPH3,F)	T	46.4/20
D552	1750000581	S.DIO 1SV307 (TPH3,F)	T	15/17.7
D601	1750000581	S.DIO 1SV307 (TPH3,F)	T	45/13.7
D602	1750000581	S.DIO 1SV307 (TPH3,F)	T	12.8/11.2
D651	1750000581	S.DIO 1SV307 (TPH3,F)	T	45/7.7
D652	1750000581	S.DIO 1SV307 (TPH3,F)	T	11.8/7.6
D1701	1750000431	S.DIO HSB88WSTR-E	T	131.4/34
FI201	2020001710	S.CER TPSKA4M50B00-R1	T	17.1/71.7
FI202	2020001730	S.CER TPSKA5M50B00-R1	T	23.2/64.2
FI203	2020001880	S.CER TPSKA6M00B00-R1	T	18.3/59.3
FI204	2020002340	S.CER TPSKA6M50B00-R1	T	22/76.6
FI1201	2010002700	S.XTL FL-406 (24.2 MHz)	T	115.3/74.9
FI1202	2010002690	S.XTL FL-407 (24.2 MHz)	T	120.2/67
L70	6140004650	COL LR-523		
L71	6200007770	S.COL LQW2BHNR10J03L	T	11.9/15.7
L102	6150005390	COL LS-164A		
L201	6200005021	S.COL NLV25T-150J	T	14.7/69.2
L202	6200005021	S.COL NLV25T-150J	T	20.8/61.7
L203	6200005021	S.COL NLV25T-150J	T	15.9/56.8
L204	6200005021	S.COL NLV25T-150J	T	19.6/74.2
L292	6200007800	S.COL LQW2BHNR18J03L	B	77/84.6
L293	6200008080	S.COL LQW2BHNR22J03L	B	77.8/87.6
L511	6200010740	S.COL C2520C-R27G-A	T	45.7/23.1
L512	6200010830	S.COL C2520C-3R3G-A	T	42.1/25
L513	6200010830	S.COL C2520C-3R3G-A	T	35.6/22.9
L514	6200010830	S.COL C2520C-3R3G-A	T	29.4/24.9
L515	6200010740	S.COL C2520C-R27G-A	T	25.8/23
L531	6200010680	S.COL C2520C-R22G-A (0.22U)	T	22.2/25.4
L532	6200010960	S.COL C2520C-R47G-A (0.47U)	T	18.6/23
L561	6200010740	S.COL C2520C-R27G-A	T	45.4/17
L562	6200010820	S.COL C2520C-2R7G-A	T	41.7/18.8
L563	6200010820	S.COL C2520C-2R7G-A	T	35.3/16.6
L564	6200010820	S.COL C2520C-2R7G-A	T	29.2/18.7
L565	6200010740	S.COL C2520C-R27G-A	T	25.6/16.5
L581	6200010680	S.COL C2520C-R22G-A (0.22U)	T	22/19.1
L582	6200010960	S.COL C2520C-R47G-A (0.47U)	T	18.3/17.1
L611	6200010740	S.COL C2520C-R27G-A	T	44/10.8
L612	6200010820	S.COL C2520C-2R7G-A	T	40.3/12.5
L613	6200010820	S.COL C2520C-2R7G-A	T	33.7/10.3
L614	6200010820	S.COL C2520C-2R7G-A	T	27.4/12.4
L615	6200010740	S.COL C2520C-R27G-A	T	23.8/10.7
L631	6200010680	S.COL C2520C-R22G-A (0.22U)	T	20/12.9
L632	6200011450	S.COL C2520C-R39G-A	T	16.3/11
L661	6200010740	S.COL C2520C-R27G-A	T	42.6/4.7
L662	6200010820	S.COL C2520C-2R7G-A	T	39/6.3
L663	6200010820	S.COL C2520C-2R7G-A	T	32.2/4.2
L664	6200010820	S.COL C2520C-2R7G-A	T	25.8/6.5
L665	6200010740	S.COL C2520C-R27G-A	T	21.8/4.7
L681	6200010680	S.COL C2520C-R22G-A (0.22U)	T	18.2/6.7
L682	6200011450	S.COL C2520C-R39G-A	T	14.3/5.2
L1001	6200005011	S.COL NLV25T-100J	T	66.6/81.7
L1002	6200011220	S.COL C2012C-R47J-A	T	67.8/75.9
L1003	6140002810	S.COL LR-317	T	73.1/78.1
L1004	6200010350	S.COL C2012C-R27G-A	T	97.5/25.6
L1005	6200010320	S.COL C2012C-R15G-A	T	100.5/25.2
L1006	6200011050	S.COL C2012C-R12G-A	T	104.9/25.8
L1007	6200009920	S.COL C2012C-R10G-A	T	106.6/29.4

M.=Mounted side (T: Mounted on the Top side B: Mounted on the Bottom side)
S.=Surface mount

[SCOPE/TV UNIT]

REF NO.	ORDER NO.	DESCRIPTION	M.	H/V LOCATION
L1009	6200010860	S.COL C2520C-R10G-A (0.1U)	T	105.9/34.7
L1010	6200011410	S.COL C2520C-82NG-A	T	105.1/38.1
L1011	6200010720	S.COL C2520C-56NG-A	T	103.4/43
L1012	6200010940	S.COL C2520C-39NG-A	T	104.3/46.7
L1051	6200005011	S.COL NLV25T-100J	B	90.8/81.4
L1052	6140003790	COL LR-442		
L1053	6200005011	S.COL NLV25T-100J	T	91.3/79.4
L1054	6200007790	S.COL LQW2BHN15J03L	T	99.5/77.9
L1071	6200008090	S.COL LQW2BHN68NJ03L	T	52.8/77.4
L1072	6140002810	S.COL LR-317	T	54.2/81.9
L1081	6200010650	S.COL C2520C-R12G-A (0.12U)	T	77/88
L1082	6200010860	S.COL C2520C-R10G-A (0.1U)	T	82.9/82.3
L1083	6200011410	S.COL C2520C-82NG-A	T	84.3/86
L1084	6200010720	S.COL C2520C-56NG-A	T	91.3/84.2
L1101	6130002961	S.COL #617DB-1327=P3	T	82.5/70.8
L1102	6130002961	S.COL #617DB-1327=P3	T	90.8/66
L1103	6130002961	S.COL #617DB-1327=P3	T	95.4/71.9
L1104	6180002961	S.COL NLV32T-R18J	B	76.3/64.7
L1105	6200001471	S.COL NLV32T-R12J	B	79/70.8
L1201	6180003410	COL SP0406-2R2K-6		
L1202	6180003590	COL SP0406-8R2K-6		
L1203	6180003510	COL SP0406-6R8K-6		
L1204	6150004521	S.COL LS-508-LF	T	119/46.2
L1205	6150004521	S.COL LS-508-LF	T	120.5/33.8
L1301	6200007170	S.COL MLF1608A 3R3K-T	T	74.9/48.4
L1302	6200002651	S.COL NLV25T-R18J	T	78.1/45.6
L1501	6200001981	S.COL NLV25T-1R0J	B	99.2/51.3
L1502	6200002631	S.COL NLV25T-R10J	T	94.3/51.4
L1503	6200002431	S.COL NLV25T-082J	T	90.2/50.6
L1701	6200003171	S.COL NLV32T-330J	T	130/78.9
L1702	6140002810	S.COL LR-317	T	131.4/27.4
L1703	6140002810	S.COL LR-317	T	131.4/40.6
L1901	6200001831	S.COL NLV32T-100J	B	78.1/25.4
L1902	6200011900	S.COL LQH43CN100K03L	B	76.6/29.1
L1903	6200002181	S.COL NLV25T-R12J	T	64.8/44
L1904	6200002641	S.COL NLV25T-R15J	T	68/46.2
L1905	6200002181	S.COL NLV25T-R12J	T	68/52.8
L1906	6200002641	S.COL NLV25T-R15J	T	65.2/59.1
L2101	6200005011	S.COL NLV25T-100J	T	60.9/78.7
L2102	6200011220	S.COL C2012C-R47J-A	T	65.2/72
L2103	6140002810	S.COL LR-317	T	70.8/71.2
L2160	6200010740	S.COL C2520C-R27G-A	T	47.8/71.7
L2161	6200010670	S.COL C2520C-R18G-A (0.18U)	T	47.8/68.6
L2162	6200010860	S.COL C2520C-R10G-A (0.1U)	T	53.2/60
L2163	6200010650	S.COL C2520C-R12G-A (0.12U)	T	47.6/57
L2164	6200010660	S.COL C2520C-R15G-A (0.15U)	T	47.8/65.3
L2181	6200008090	S.COL LQW2BHN68NJ03L	B	48.4/61
L2182	6200009970	S.COL C2012C-R39G-A	T	49.3/53.9
L2201	6130002961	S.COL #617DB-1327=P3	T	63.7/38.7
L2202	6130002961	S.COL #617DB-1327=P3	T	55.4/43.9
L2203	6130002961	S.COL #617DB-1327=P3	T	50.8/38.4
L2301	6200004961	S.COL NLV25T-R33J	T	39/46.2
L2302	6200005041	S.COL NLV25T-220J	T	41.2/55
L2303	6200004961	S.COL NLV25T-R33J	T	40.9/66.1
L2304	6200002611	S.COL NLV25T-R47J	T	41.3/69.5
L2305	6200003261	S.COL NLV32T-101J	T	41.7/51.5
R1	7030003320	S.RES ERJ3GEYJ 101 V (100)	B	60.7/22
R2	7030003520	S.RES ERJ3GEYJ 472 V (4.7 k)	B	62.4/18.7
R3	7030003440	S.RES ERJ3GEYJ 102 V (1 k)	B	60.7/20.2
R4	7030003560	S.RES ERJ3GEYJ 103 V (10 k)	B	57.9/20.2
R5	7030003560	S.RES ERJ3GEYJ 103 V (10 k)	B	61.5/15
R6	7030003800	S.RES ERJ3GEYJ 105 V (1 M)	B	57.1/22.7
R7	7030003320	S.RES ERJ3GEYJ 101 V (100)	B	55.7/16.1
R8	7030003280	S.RES ERJ3GEYJ 470 V (47)	B	62.3/11
R9	7030003400	S.RES ERJ3GEYJ 471 V (470)	B	59/11.6
R10	7030003320	S.RES ERJ3GEYJ 101 V (100)	B	61.5/7.5
R11	7030003480	S.RES ERJ3GEYJ 222 V (2.2 k)	B	65.5/3.6
R12	7030003460	S.RES ERJ3GEYJ 152 V (1.5 k)	B	63.8/6.8
R13	7030003280	S.RES ERJ3GEYJ 470 V (47)	B	62.3/9.3
R14	7030003400	S.RES ERJ3GEYJ 471 V (470)	B	61.1/3.5
R20	7030003270	S.RES ERJ3GEYJ 390 V (39)	B	56.6/5
R21	7030003400	S.RES ERJ3GEYJ 471 V (470)	B	54.6/5
R44	7030003400	S.RES ERJ3GEYJ 471 V (470)	T	9.5/10.2
R71	7030003320	S.RES ERJ3GEYJ 101 V (100)	T	10.7/15.9
R101	7030003700	S.RES ERJ3GEYJ 154 V (150 k)	T	8.2/33.3
R102	7030003620	S.RES ERJ3GEYJ 333 V (33 k)	T	8.2/36.6
R104	7030003580	S.RES ERJ3GEYJ 153 V (15 k)	T	8.5/40.6
R105	7030003700	S.RES ERJ3GEYJ 154 V (150 k)	T	5.9/39.8
R106	7030003640	S.RES ERJ3GEYJ 473 V (47 k)	T	7.2/40.6
R107	7030003560	S.RES ERJ3GEYJ 103 V (10 k)	T	17.2/46.8
R108	7030003600	S.RES ERJ3GEYJ 223 V (22 k)	T	17.6/49.1
R109	7030003640	S.RES ERJ3GEYJ 473 V (47 k)	T	14.2/54.4
R110	7030003440	S.RES ERJ3GEYJ 102 V (1 k)	T	4/48
R111	7030003750	S.RES ERJ3GEYJ 394 V (390 k)	T	7.2/43.2
R112	7030003380	S.RES ERJ3GEYJ 331 V (330)	T	29/49.3
R113	7030003300	S.RES ERJ3GEYJ 680 V (68)	T	3.1/40.1
R114	7030003640	S.RES ERJ3GEYJ 473 V (47 k)	T	19.2/51.9
R161	7030003320	S.RES ERJ3GEYJ 101 V (100)	T	136.2/55.1
R303	7030003280	S.RES ERJ3GEYJ 470 V (47)	B	3.9/68.1
R304	7030003420	S.RES ERJ3GEYJ 681 V (680)	T	4.7/68.9
R305	7030003420	S.RES ERJ3GEYJ 681 V (680)	T	4.7/70.1
R307	7030003340	S.RES ERJ3GEYJ 151 V (150)	T	7.3/68.9
R308	7030003340	S.RES ERJ3GEYJ 151 V (150)	T	7.3/70.1
R401	7030003320	S.RES ERJ3GEYJ 101 V (100)	T	70.3/11.5
R402	7030003320	S.RES ERJ3GEYJ 101 V (100)	T	74.1/11.5
R403	7030003320	S.RES ERJ3GEYJ 101 V (100)	T	75.4/11.5
R404	7030003320	S.RES ERJ3GEYJ 101 V (100)	T	76.7/11.5
R405	7030003320	S.RES ERJ3GEYJ 101 V (100)	T	78/11.5
R406	7030003320	S.RES ERJ3GEYJ 101 V (100)	T	79.3/11.5
R407	7030003320	S.RES ERJ3GEYJ 101 V (100)	T	80.6/11.5
R408	7030003640	S.RES ERJ3GEYJ 473 V (47 k)	T	74.2/16.1
R409	7030003640	S.RES ERJ3GEYJ 473 V (47 k)	T	76.8/16.6

[SCOPE/TV UNIT]

REF NO.	ORDER NO.	DESCRIPTION	M.	H/V LOCATION
R410	7030003640	S.RES ERJ3GEYJ 473 V (47 k)	T	79.4/16.6
R411	7030003640	S.RES ERJ3GEYJ 473 V (47 k)	T	82/16.6
R412	7030003640	S.RES ERJ3GEYJ 473 V (47 k)	T	84.6/16.6
R413	7030003320	S.RES ERJ3GEYJ 101 V (100)	T	81.9/11.5
R418	7030003320	S.RES ERJ3GEYJ 101 V (100)	T	63.3/14.9
R419	7030003320	S.RES ERJ3GEYJ 101 V (100)	T	63.3/17.5
R420	7030003320	S.RES ERJ3GEYJ 101 V (100)	T	64.1/19.8
R441	7030003860	S.RES ERJ3GE JPW V	T	56.3/11.5
R451	7030003200	S.RES ERJ3GEYJ 100 V (10)	B	98.2/17.9
R501	7030003360	S.RES ERJ3GEYJ 221 V (220)	B	39.8/22.2
R502	7030003320	S.RES ERJ3GEYJ 101 V (100)	B	36.2/21.5
R503	7030003320	S.RES ERJ3GEYJ 101 V (100)	B	33.6/22.3
R504	7030003560	S.RES ERJ3GEYJ 103 V (10 k)	T	45.3/26.3
R551	7030003360	S.RES ERJ3GEYJ 221 V (220)	B	39.5/16.3
R552	7030003320	S.RES ERJ3GEYJ 101 V (100)	B	36.2/15.9
R553	7030003320	S.RES ERJ3GEYJ 101 V (100)	B	32.4/15.9
R554	7030003560	S.RES ERJ3GEYJ 103 V (10 k)	T	49.7/18
R601	7030003360	S.RES ERJ3GEYJ 221 V (220)	B	37.5/10
R602	7030003320	S.RES ERJ3GEYJ 101 V (100)	B	34.2/9.8
R603	7030003320	S.RES ERJ3GEYJ 101 V (100)	B	30.5/9.8
R604	7030003560	S.RES ERJ3GEYJ 103 V (10 k)	T	48.3/8.9
R651	7030003360	S.RES ERJ3GEYJ 221 V (220)	B	36.3/4
R652	7030003320	S.RES ERJ3GEYJ 101 V (100)	B	32.7/4
R653	7030003320	S.RES ERJ3GEYJ 101 V (100)	B	29.3/4
R654	7030003560	S.RES ERJ3GEYJ 103 V (10 k)	T	48.3/5.5
R1001	7030003320	S.RES ERJ3GEYJ 101 V (100)	T	76.5/81.2
R1002	7030003320	S.RES ERJ3GEYJ 101 V (100)	T	63.6/81.2
R1003	7030003350	S.RES ERJ3GEYJ 181 V (180)	B	69.2/78.8
R1004	7030003240	S.RES ERJ3GEYJ 220 V (22)	T	57.9/86.3
R1014	7030003440	S.RES ERJ3GEYJ 102 V (1 k)	B	60.6/82.7
R1015	7030003500	S.RES ERJ3GEYJ 332 V (3.3 k)	B	60.9/86.8
R1016	7030003530	S.RES ERJ3GEYJ 562 V (5.6 k)	B	63.6/84.3
R1017	7030003320	S.RES ERJ3GEYJ 101 V (100)	T	60.6/87.6
R1018	7030003440	S.RES ERJ3GEYJ 102 V (1 k)	T	62.5/85
R1019	7030003440	S.RES ERJ3GEYJ 102 V (1 k)	B	67.6/82.4
R1020	7030003500	S.RES ERJ3GEYJ 332 V (3.3 k)	B	67.9/86.2
R1021	7030003530	S.RES ERJ3GEYJ 562 V (5.6 k)	B	70.6/84.3
R1022	7030003390	S.RES ERJ3GEYJ 391 V (390)	T	67.2/87.6
R1023	7030003440	S.RES ERJ3GEYJ 102 V (1 k)	T	69.1/84.3
R1028	7030003370	S.RES ERJ3GEYJ 271 V (270)	T	85.6/66.2
R1029	7030003230	S.RES ERJ3GEYJ 180 V (18)	T	86.2/64.2
R1032	7030003370	S.RES ERJ3GEYJ 271 V (270)	T	87.6/64.2
R1034	7030003300	S.RES ERJ3GEYJ 680 V (68)	T	63.9/85.1
R1035	7030003290	S.RES ERJ3GEYJ 560 V (56)	T	70.3/84.3
R1051	7030003290	S.RES ERJ3GEYJ 560 V (56)	B	90.8/84.5
R1052	7030003500	S.RES ERJ3GEYJ 332 V (3.3 k)	B	106/84.5
R1053	7030003440	S.RES ERJ3GEYJ 102 V (1 k)	B	107.7/84.8
R1054	7030003860	S.RES ERJ3GE JPW V	T	102.6/81.4
R1071	7030003320	S.RES ERJ3GEYJ 101 V (100)	T	58.5/81
R1101	7030003300	S.RES ERJ3GEYJ 680 V (68)	T	87.3/71.1
R1102	7030003300	S.RES ERJ3GEYJ 680 V (68)	T	87.3/69.5
R1103	7030003320	S.RES ERJ3GEYJ 101 V (100)	T	87.6/67
R1104	7030003320	S.RES ERJ3GEYJ 101 V (100)	T	93.9/66.3
R1105	7030003260	S.RES ERJ3GEYJ 330 V (33)	T	96.5/65.6
R1113	7030003370	S.RES ERJ3GEYJ 271 V (270)	T	107.1/72.5
R1114	7030003230	S.RES ERJ3GEYJ 180 V (18)	T	106.3/74.6
R1115	7030003370	S.RES ERJ3GEYJ 271 V (270)	T	107.1/76.8
R1209	7030003200	S.RES ERJ3GEYJ 100 V (10)	B	117.9/39.7
R1211	7030003480	S.RES ERJ3GEYJ 222 V (2.2 k)	T	123.2/47.8
R1212	7030003200	S.RES ERJ3GEYJ 100 V (10)	B	123.6/38.2
R1213	7030003560	S.RES ERJ3GEYJ 103 V (10 k)	T	118.9/40.5
R1214	7510001671	S.TMR NTCG16 4BH 103JT	T	121.5/38
R1215	7030003370	S.RES ERJ3GEYJ 271 V (270)	T	117.9/29.3
R1216	7030003230	S.RES ERJ3GEYJ 180 V (18)	T	120.5/29.3
R1217	7030003370	S.RES ERJ3GEYJ 271 V (270)	T	120.5/28
R1301	7030003290	S.RES ERJ3GEYJ 560 V (56)	B	77.6/53.8
R1302	7030003460	S.RES ERJ3GEYJ 152 V (1.5 k)	B	76.8/52
R1303	7030003290	S.RES ERJ3GEYJ 560 V (56)	B	78.4/52
R1304	7030003400	S.RES ERJ3GEYJ 471 V (470)	T	76.8/47.8
R1305	7030003400	S.RES ERJ3GEYJ 471 V (470)	T	75.7/46.5
R1310	7030003640	S.RES ERJ3GEYJ 473 V (47 k)	T	79/42.9
R1313	7030003640	S.RES ERJ3GEYJ 473 V (47 k)	T	78.7/51.3
R1314	7030003200	S.RES ERJ3GEYJ 100 V (10)	T	80.6/48.9
R1315	7030003370	S.RES ERJ3GEYJ 271 V (270)	T	78.7/48.6
R1316	7030003440	S.RES ERJ3GEYJ 102 V (1 k)	B	75.8/43.3
R1317	7030003320	S.RES ERJ3GEYJ 101 V (100)	T	86.9/48.8
R1318	7030003450	S.RES ERJ3GEYJ 122 V (1.2 k)	T	84.5/49.6
R1401	7030010250	S.RES ERJ1TYJ 0R00U	B	104.9/55.3
R1421	7030003510	S.RES ERJ3GEYJ 392 V (3.9 k)	T	95.1/47.8
R1422	7030003290	S.RES ERJ3GEYJ 560 V (56)	T	96.6/45.3
R1423	7030003290	S.RES ERJ3GEYJ 560 V (56)	T	96.4/46.

[SCOPE/TV UNIT]

REF NO.	ORDER NO.	DESCRIPTION	M.	H/V LOCATION
R1605	7030003200	S.RES ERJ3GEYJ 100 V (10)	B	139.2/61.6
R1606	7030003440	S.RES ERJ3GEYJ 102 V (1 k)	T	129.3/55
R1608	7030003440	S.RES ERJ3GEYJ 102 V (1 k)	T	134.3/62.4
R1609	7030003440	S.RES ERJ3GEYJ 102 V (1 k)	T	137.4/60.5
R1610	7030003440	S.RES ERJ3GEYJ 102 V (1 k)	T	135.1/64.4
R1611	7030003200	S.RES ERJ3GEYJ 100 V (10)	B	129.8/61.8
R1612	7030003200	S.RES ERJ3GEYJ 100 V (10)	B	138.5/54
R1614	7030003500	S.RES ERJ3GEYJ 332 V (3.3 k)	T	129.9/67.5
R1616	7030003520	S.RES ERJ3GEYJ 472 V (4.7 k)	T	131.8/68.3
R1617	7030003440	S.RES ERJ3GEYJ 102 V (1 k)	T	135.1/65.6
R1702	7030003860	S.RES ERJ3GE JPW V	B	131.4/41.8
R1710	7030003320	S.RES ERJ3GEYJ 101 V (100)	B	133.3/42.6
R1802	7030003860	S.RES ERJ3GE JPW V	T	127.4/19.6
R1804	7030003860	S.RES ERJ3GE JPW V	T	123.4/15.3
R1805	7030003860	S.RES ERJ3GE JPW V	T	125.6/17.3
R1901	7030003370	S.RES ERJ3GEYJ 271 V (270)	T	59.7/44.4
R1902	7030003230	S.RES ERJ3GEYJ 180 V (18)	T	60.5/46.3
R1903	7030003370	S.RES ERJ3GEYJ 271 V (270)	T	61.2/44.4
R1904	7030003320	S.RES ERJ3GEYJ 101 V (100)	T	64.7/50.3
R1905	7030003200	S.RES ERJ3GEYJ 100 V (10)	T	64.8/53.9
R1906	7030003500	S.RES ERJ3GEYJ 332 V (3.3 k)	B	65.5/54.9
R1907	7030003420	S.RES ERJ3GEYJ 681 V (680)	B	67/56.9
R1908	7030003220	S.RES ERJ3GEYJ 150 V (15)	T	68.5/61.5
R1909	7030003310	S.RES ERJ3GEYJ 820 V (82)	T	68.5/62.9
R1910	7030003260	S.RES ERJ3GEYJ 330 V (33)	T	65.9/62.9
R1911	7030003230	S.RES ERJ3GEYJ 180 V (18)	T	65.9/64.3
R1912	7030003230	S.RES ERJ3GEYJ 180 V (18)	T	63.3/62.9
R1913	7030003440	S.RES ERJ3GEYJ 102 V (1 k)	T	68.3/49.7
R2001	7030003340	S.RES ERJ3GEYJ 151 V (150)	T	112.2/31.8
R2002	7030007860	S.RES ERJ3GEYJ 8R2V (8.2)	T	114.1/31
R2003	7030003570	S.RES ERJ3GEYJ 123 V (12 k)	T	114.8/26.5
R2004	7030003360	S.RES ERJ3GEYJ 221 V (220)	T	114.9/24.3
R2005	7030003280	S.RES ERJ3GEYJ 470 V (47)	B	113.5/21.5
R2006	7030003200	S.RES ERJ3GEYJ 100 V (10)	T	116.1/24.3
R2007	7030007860	S.RES ERJ3GEYJ 8R2V (8.2)	T	112.9/33.8
R2008	7030003200	S.RES ERJ3GEYJ 100 V (10)	B	116.8/19.5
R2009	7030003860	S.RES ERJ3GE JPW V	T	120.5/14.8
R2011	7030003440	S.RES ERJ3GEYJ 102 V (1 k)	T	111.6/18.6
R2012	7030003340	S.RES ERJ3GEYJ 151 V (150)	T	117.8/14.8
R2101	7030003320	S.RES ERJ3GEYJ 101 V (100)	B	72.2/72.8
R2102	7030003320	S.RES ERJ3GEYJ 101 V (100)	T	58.5/78
R2103	7030003350	S.RES ERJ3GEYJ 181 V (180)	B	68.5/67.8
R2104	7030003240	S.RES ERJ3GEYJ 220 V (22)	B	66.9/67.8
R2181	7030003480	S.RES ERJ3GEYJ 222 V (2.2 k)	B	47.4/57.2
R2182	7030003440	S.RES ERJ3GEYJ 102 V (1 k)	B	50.1/62.9
R2183	7030003200	S.RES ERJ3GEYJ 100 V (10)	B	52.8/58.3
R2184	7030003320	S.RES ERJ3GEYJ 101 V (100)	B	52.8/60.3
R2185	7030003280	S.RES ERJ3GEYJ 470 V (47)	B	45.6/53
R2186	7030003360	S.RES ERJ3GEYJ 221 V (220)	B	53.3/53.5
R2187	7030003860	S.RES ERJ3GE JPW V	B	54.9/53.5
R2201	7030003300	S.RES ERJ3GEYJ 680 V (68)	B	58.8/37.2
R2202	7030003300	S.RES ERJ3GEYJ 680 V (68)	T	58.8/40.8
R2203	7030003320	S.RES ERJ3GEYJ 101 V (100)	T	58.5/43
R2204	7030003320	S.RES ERJ3GEYJ 101 V (100)	T	52.3/43.5
R2205	7030003260	S.RES ERJ3GEYJ 330 V (33)	T	50.2/43.9
R2206	7030003370	S.RES ERJ3GEYJ 271 V (270)	T	45.3/40
R2207	7030003230	S.RES ERJ3GEYJ 180 V (18)	T	44.5/38.1
R2208	7030003370	S.RES ERJ3GEYJ 271 V (270)	T	43.8/40
R2302	7030003860	S.RES ERJ3GE JPW V	T	37.1/49.2
R2303	7030003320	S.RES ERJ3GEYJ 101 V (100)	T	35.2/49.8
R2304	7030003480	S.RES ERJ3GEYJ 222 V (2.2 k)	T	37.1/56.9
R2305	7030003480	S.RES ERJ3GEYJ 222 V (2.2 k)	T	39/56.3
R2306	7030003290	S.RES ERJ3GEYJ 560 V (56)	T	40.8/56.9
R2307	7030003320	S.RES ERJ3GEYJ 101 V (100)	T	37.1/64.6
R2308	7030003200	S.RES ERJ3GEYJ 100 V (10)	T	39.3/52.6
R2309	7030003370	S.RES ERJ3GEYJ 271 V (270)	T	37.1/69.8
R2310	7030003230	S.RES ERJ3GEYJ 180 V (18)	T	39/70.2
R2311	7030003370	S.RES ERJ3GEYJ 271 V (270)	T	37.1/71.1
C1	4030006900	S.CER C1608 JB 1H 103K-T	B	60.7/24.3
C2	4030006900	S.CER C1608 JB 1H 103K-T	B	62.4/17.1
C3	4030006900	S.CER C1608 JB 1H 103K-T	B	55.7/20.9
C4	4030006900	S.CER C1608 JB 1H 103K-T	B	55.7/17.7
C5	4030006900	S.CER C1608 JB 1H 103K-T	B	59/8.3
C6	4030006900	S.CER C1608 JB 1H 103K-T	B	58.2/14.4
C7	4030006900	S.CER C1608 JB 1H 103K-T	B	60.8/6
C8	4030006900	S.CER C1608 JB 1H 103K-T	B	59.1/4.2
C70	4030006900	S.CER C1608 JB 1H 103K-T	T	9.7/12.7
C71	4030006900	S.CER C1608 JB 1H 103K-T	T	12.4/35.7
C102	4030006900	S.CER C1608 JB 1H 103K-T	T	8.2/34
C103	4030006900	S.CER C1608 JB 1H 103K-T	T	8.2/38.1
C104	4510008560	S.ELE EEE1HAR47SR	T	15.5/32.8
C105	4030006900	S.CER C1608 JB 1H 103K-T	T	18.1/35.6
C106	4030006860	S.CER C1608 JB 1H 102K-T	T	15.4/36.4
C107	4030006900	S.CER C1608 JB 1H 103K-T	T	19.3/35.6
C109	4510008580	S.ELE EEE0JA470SR	T	26.2/37.1
C110	4030006900	S.CER C1608 JB 1H 103K-T	T	16.4/49.1
C111	4030006860	S.CER C1608 JB 1H 102K-T	T	14.2/53.2
C112	4030007070	S.CER C1608 CH 1H 330J-T	T	13.4/51
C113	4030007120	S.CER C1608 CH 1H 820J-T	T	8.5/43.2
C115	4030006860	S.CER C1608 JB 1H 102K-T	T	14.2/48.6
C116	4510008560	S.ELE EEE1HAR47SR	T	4.2/43.6
C117	4030006900	S.CER C1608 JB 1H 103K-T	T	22.4/52.6
C118	4030011600	S.CER C1608 JB 1E 104K-T	T	21.1/52.6
C119	4030011600	S.CER C1608 JB 1E 104K-T	T	21.4/39.3
C120	4030018910	S.CER C1608 JB 0J 475K-T	T	22.6/39.3
C201	4030011600	S.CER C1608 JB 1E 104K-T	T	26.1/70.2
C202	4030011600	S.CER C1608 JB 1E 104K-T	T	10.3/64.9
C203	4030011600	S.CER C1608 JB 1E 104K-T	T	24.9/57.4
C204	4030011600	S.CER C1608 JB 1E 104K-T	T	8.4/60.3
C205	4030006900	S.CER C1608 JB 1H 103K-T	T	30.3/69
C206	4030006900	S.CER C1608 JB 1H 103K-T	B	29.7/61.6
C207	4030006900	S.CER C1608 JB 1H 103K-T	B	29.7/59.4

[SCOPE/TV UNIT]

REF NO.	ORDER NO.	DESCRIPTION	M.	H/V LOCATION
C208	4030006900	S.CER C1608 JB 1H 103K-T	B	29.7/57.7
C295	4030007110	S.CER C1608 CH 1H 680J-T	B	74.9/85.7
C296	4030011340	S.CER C1608 CH 1H 471J-T	T	73.9/84.6
C297	4030007070	S.CER C1608 CH 1H 330J-T	T	73.6/87.9
C298	4030007150	S.CER C1608 CH 1H 151J-T	T	74.4/87.6
C299	4030007110	S.CER C1608 CH 1H 680J-T	T	71.6/88.7
C303	4030018560	S.CER C2012 JB 1A 475K-T	T	2.1/67.9
C305	4550007410	S.TAN F931A157MMBMA	T	9.2/76.9
C401	4030006900	S.CER C1608 JB 1H 103K-T	T	65.1/16.1
C402	4030006900	S.CER C1608 JB 1H 103K-T	T	66.4/16.1
C403	4030006900	S.CER C1608 JB 1H 103K-T	T	67.7/16.1
C404	4030006900	S.CER C1608 JB 1H 103K-T	T	69/16.1
C405	4030006900	S.CER C1608 JB 1H 103K-T	T	70.3/16.1
C406	4030006900	S.CER C1608 JB 1H 103K-T	T	71.6/16.1
C407	4030007050	S.CER C1608 CH 1H 220J-T	T	72.9/16.1
C408	4030007050	S.CER C1608 CH 1H 220J-T	T	75.5/16.6
C409	4030007050	S.CER C1608 CH 1H 220J-T	T	78.1/16.6
C410	4030007050	S.CER C1608 CH 1H 220J-T	T	80.7/16.6
C411	4030007050	S.CER C1608 CH 1H 220J-T	T	83.3/16.6
C412	4030007050	S.CER C1608 CH 1H 220J-T	T	85.9/16.6
C413	4030007050	S.CER C1608 CH 1H 220J-T	T	87.2/16.6
C422	4030011600	S.CER C1608 JB 1E 104K-T	T	56.3/12.7
C451	4030011600	S.CER C1608 JB 1E 104K-T	T	95.9/21.3
C501	4030011600	S.CER C1608 JB 1E 104K-T	B	45.4/20.7
C502	4030011600	S.CER C1608 JB 1E 104K-T	B	35.1/23.8
C511	4030011600	S.CER C1608 JB 1E 104K-T	T	43.5/22.1
C512	4030007130	S.CER C1608 CH 1H 101J-T	B	44.1/23.0
C513	4030007130	S.CER C1608 CH 1H 101J-T	B	42.6/23.7
C514	4030010760	S.CER C1608 CH 1H 331J-T	B	41.1/23.7
C515	4030007030	S.CER C1608 CH 1H 150J-T	T	42.1/22.1
C516	4030007050	S.CER C1608 CH 1H 220J-T	T	40.8/22.1
C517	4030011770	S.CER C1608 CH 1H 060B-T	T	38.6/25.8
C518	4030009560	S.CER C1608 CH 1H R75B-T	T	38.6/24.4
C519	4030007010	S.CER C1608 CH 1H 100D-T	T	39.2/22.0
C520	4030007050	S.CER C1608 CH 1H 220J-T	T	37.9/22.3
C521	4030011770	S.CER C1608 CH 1H 060B-T	T	33/25.5
C522	4030009560	S.CER C1608 CH 1H R75B-T	T	33/24.2
C523	4030007030	S.CER C1608 CH 1H 150J-T	T	32.2/22.2
C524	4030007050	S.CER C1608 CH 1H 220J-T	T	30.8/22.2
C525	4030010760	S.CER C1608 CH 1H 331J-T	B	31/23
C526	4030007130	S.CER C1608 CH 1H 101J-T	B	29.3/23.1
C527	4030007130	S.CER C1608 CH 1H 101J-T	B	27.6/23.1
C528	4030011600	S.CER C1608 JB 1E 104K-T	T	28.5/21.7
C531	4030007160	S.CER C1608 CH 1H 181J-T	T	23.6/22.5
C532	4030011330	S.CER C1608 CH 1H 391J-T	B	21.9/24
C534	4030010760	S.CER C1608 CH 1H 331J-T	T	21.5/22.9
C536	4030007130	S.CER C1608 CH 1H 101J-T	B	18.5/21.6
C538	4030011280	S.CER C1608 CH 1H 271J-T	T	16.3/21.3
C551	4030011600	S.CER C1608 JB 1E 104K-T	B	45.6/14.8
C552	4030011600	S.CER C1608 JB 1E 104K-T	B	33.9/17.4
C561	4030011600	S.CER C1608 JB 1E 104K-T	T	43.1/16
C562	4030007050	S.CER C1608 CH 1H 220J-T	B	43.8/17.8
C563	4030011340	S.CER C1608 CH 1H 471J-T	B	42.4/17.8
C565	4030007040	S.CER C1608 CH 1H 180J-T	T	41.6/16
C566	4030007050	S.CER C1608 CH 1H 220J-T	T	40.4/16
C568	4030007000	S.CER C1608 CH 1H 090D-T	T	38.3/18.3
C569	4030007020	S.CER C1608 CH 1H 120J-T	T	38.8/16.1
C570	4030007050	S.CER C1608 CH 1H 220J-T	T	37.6/16.1
C572	4030007000	S.CER C1608 CH 1H 090D-T	T	32.6/18
C573	4030007040	S.CER C1608 CH 1H 180J-T	T	31.9/15.9
C574	4030007050	S.CER C1608 CH 1H 220J-T	T	30.5/15.9
C576	4030011340	S.CER C1608 CH 1H 471J-T	B	28.8/16.6
C577	4030007050	S.CER C1608 CH 1H 220J-T	B	27.3/16.6
C578	4030011600	S.CER C1608 JB 1E 104K-T	T	28.4/15.1
C581	4030007160	S.CER C1608 CH 1H 181J-T	T	23.4/16
C582	4030007140	S.CER C1608 CH 1H 121J-T	B	21.7/17.5
C583	4030007170	S.CER C1608 CH 1H 221J-T	B	21.7/16
C584	4030010760	S.CER C1608 CH 1H 331J-T	T	20.6/16
C586	4030007050	S.CER C1608 CH 1H 220J-T	B	18.2/15.8
C587	4030007110	S.CER C1608 CH 1H 680J-T	B	18.2/14.4
C588	4030011280	S.CER C1608 CH 1H 271J-T	T	16/15.6
C601	4030011600	S.CER C1608 JB 1E 104K-T	B	45.4/10
C602	4030011600	S.CER C1608 JB 1E 104K-T	B	32/11.3
C611	4030011600	S.CER C1608 JB 1E 104K-T	T	41.7/9.7
C612	4030007110	S.CER C1608 CH 1H 680J-T	B	41.7/11.5
C613	4030011330	S.CER C1608 CH 1H 391J-T	B	40.3/11.5
C615</				

[SCOPE/TV UNIT]

REF NO.	ORDER NO.	DESCRIPTION	M.	H/V LOCATION
C670	4030007060	S.CER C1608 CH 1H 270J-T	T	35.8/3.7
C671	4030006980	S.CER C1608 CH 1H 070D-T	T	29.3/6.9
C672	4030009570	S.CER C1608 CH 1H 0R3B-T	T	29.3/5.5
C673	4030009550	S.CER C1608 CH 1H 2R5B-T	T	27.1/3.6
C674	4030007070	S.CER C1608 CH 1H 330J-T	T	28.6/3.6
C676	4030011330	S.CER C1608 CH 1H 391J-T	B	25.4/4.8
C677	4030007080	S.CER C1608 CH 1H 390J-T	B	23.9/4.8
C678	4030011600	S.CER C1608 JB 1E 104K-T	T	24.8/3.4
C681	4030007150	S.CER C1608 CH 1H 151J-T	T	19.5/3.8
C682	4030007070	S.CER C1608 CH 1H 330J-T	B	18.1/4.8
C683	4030011280	S.CER C1608 CH 1H 271J-T	B	18.1/3.4
C684	4030007110	S.CER C1608 CH 1H 680J-T	T	18/3.7
C685	4030007170	S.CER C1608 CH 1H 221J-T	T	16.7/3.7
C686	4030007030	S.CER C1608 CH 1H 150J-T	B	14.5/3.9
C687	4030007120	S.CER C1608 CH 1H 820J-T	B	14.5/2.6
C688	4030007170	S.CER C1608 CH 1H 221J-T	T	11.8/4.2
C1001	4030006900	S.CER C1608 JB 1H 103K-T	T	60.8/81.3
C1002	4030007000	S.CER C1608 CH 1H 090D-T	T	67.7/78.6
C1003	4030011600	S.CER C1608 JB 1E 104K-T	T	68.9/79.9
C1004	4030006900	S.CER C1608 JB 1H 103K-T	B	71/77.8
C1012	4030006860	S.CER C1608 JB 1H 102K-T	B	60.9/88.2
C1013	4030006860	S.CER C1608 JB 1H 102K-T	T	61.2/84.4
C1014	4030006860	S.CER C1608 JB 1H 102K-T	B	67.9/87.5
C1015	4030006860	S.CER C1608 JB 1H 102K-T	T	67.9/84.3
C1016	4030006900	S.CER C1608 JB 1H 103K-T	T	60.6/86.3
C1017	4030006900	S.CER C1608 JB 1H 103K-T	T	60.6/88.9
C1018	4030006900	S.CER C1608 JB 1H 103K-T	T	65.1/85.1
C1019	4030006900	S.CER C1608 JB 1H 103K-T	T	66/87.6
C1020	4030006900	S.CER C1608 JB 1H 103K-T	T	69/88.7
C1021	4030006900	S.CER C1608 JB 1H 103K-T	T	71.5/84.3
C1023	4030007060	S.CER C1608 CH 1H 270J-T	T	102.4/28.4
C1024	4030007000	S.CER C1608 CH 1H 090D-T	T	103.6/28.4
C1025	4030007120	S.CER C1608 CH 1H 820J-T	T	104.9/28.4
C1026	4030007050	S.CER C1608 CH 1H 220J-T	T	102.4/31.2
C1027	4030007150	S.CER C1608 CH 1H 151J-T	T	103.6/31.2
C1028	4030007060	S.CER C1608 CH 1H 270J-T	T	103.2/33.3
C1029	4030007080	S.CER C1608 CH 1H 390J-T	T	106.7/32
C1030	4030007150	S.CER C1608 CH 1H 151J-T	T	104.8/31.2
C1032	4030009920	S.CER C1608 CH 1H 050B-T	T	103.7/35.3
C1033	4030007110	S.CER C1608 CH 1H 680J-T	T	106.7/40.4
C1034	4030007040	S.CER C1608 CH 1H 180J-T	T	104.1/40.4
C1035	4030007100	S.CER C1608 CH 1H 560J-T	T	106.4/41.7
C1036	4030007070	S.CER C1608 CH 1H 330J-T	T	105.6/43.6
C1037	4030007100	S.CER C1608 CH 1H 560J-T	T	107/47.4
C1038	4030007100	S.CER C1608 CH 1H 560J-T	T	104.9/48.9
C1039	4030007060	S.CER C1608 CH 1H 270J-T	T	105.2/50.1
C1041	4030007100	S.CER C1608 CH 1H 560J-T	T	99.8/29.5
C1042	4030007060	S.CER C1608 CH 1H 270J-T	T	97.8/27.6
C1043	4030007070	S.CER C1608 CH 1H 330J-T	T	100.5/27.6
C1044	4030007090	S.CER C1608 CH 1H 470J-T	T	102.4/25.7
C1051	4030006900	S.CER C1608 JB 1H 103K-T	B	89.3/86
C1052	4030011600	S.CER C1608 JB 1E 104K-T	T	106.5/84.7
C1053	4030011600	S.CER C1608 JB 1E 104K-T	T	94.4/78.6
C1054	4030006900	S.CER C1608 JB 1H 103K-T	T	96.7/78.6
C1071	4030007030	S.CER C1608 CH 1H 150J-T	T	48.9/78.2
C1072	4030007080	S.CER C1608 CH 1H 390J-T	T	50.2/78.2
C1081	4030007100	S.CER C1608 CH 1H 560J-T	T	74.5/83.8
C1082	4030007030	S.CER C1608 CH 1H 150J-T	T	75.7/83.8
C1083	4030009560	S.CER C1608 CH 1H R75B-T	T	77.6/85.7
C1084	4030009920	S.CER C1608 CH 1H 050B-T	T	77.6/84.5
C1085	4030007110	S.CER C1608 CH 1H 680J-T	T	79.9/83.3
C1086	4030007060	S.CER C1608 CH 1H 270J-T	T	79.9/82.1
C1087	4030007000	S.CER C1608 CH 1H 090D-T	T	79.5/85.3
C1088	4030007010	S.CER C1608 CH 1H 100D-T	T	80.7/85.3
C1089	4030007110	S.CER C1608 CH 1H 680J-T	T	85.2/80.5
C1090	4030007010	S.CER C1608 CH 1H 100D-T	T	86.4/80.5
C1091	4030009550	S.CER C1608 CH 1H 2R5B-T	T	85.9/83.6
C1092	4030007070	S.CER C1608 CH 1H 330J-T	T	85.9/82.4
C1093	4030007100	S.CER C1608 CH 1H 560J-T	T	87.8/82.9
C1094	4030006980	S.CER C1608 CH 1H 070D-T	T	89/82.9
C1095	4030007060	S.CER C1608 CH 1H 270J-T	T	88.5/86.7
C1096	4030007070	S.CER C1608 CH 1H 330J-T	T	88.5/85.5
C1101	4030006900	S.CER C1608 JB 1H 103K-T	T	95.9/76.6
C1102	4030006900	S.CER C1608 JB 1H 103K-T	T	78.4/70.1
C1103	4030006900	S.CER C1608 JB 1H 103K-T	T	87.3/72.7
C1104	4030006900	S.CER C1608 JB 1H 103K-T	T	87.3/70.3
C1105	4030006900	S.CER C1608 JB 1H 103K-T	T	96.1/67.4
C1106	4030006860	S.CER C1608 JB 1H 102K-T	T	96.1/68.8
C1107	4030006900	S.CER C1608 JB 1H 103K-T	T	100.4/72.5
C1108	4030006900	S.CER C1608 JB 1H 103K-T	T	100.8/70.2
C1109	4030007090	S.CER C1608 CH 1H 470J-T	B	83.7/64.5
C1110	4030007100	S.CER C1608 CH 1H 560J-T	B	79.8/65.3
C1111	4030007060	S.CER C1608 CH 1H 270J-T	B	81.7/66.1
C1112	4030007160	S.CER C1608 CH 1H 181J-T	B	79.7/67.2
C1113	4030007070	S.CER C1608 CH 1H 330J-T	B	82.5/68
C1201	4030007010	S.CER C1608 CH 1H 100D-T	T	109.1/83.7
C1203	4610001830	S.TRI TZB4S100AB10R00	T	123.4/75.7
C1205	4610001850	S.TRI TZB4R200AB10R00	T	107.9/80.5
C1208	4030006880	S.CER C1608 JB 1H 472K-T	T	124/51.9
C1213	4030011600	S.CER C1608 JB 1E 104K-T	T	116.2/42
C1214	4030007090	S.CER C1608 CH 1H 470J-T	T	118.9/42
C1215	4030009920	S.CER C1608 CH 1H 050B-T	T	120.8/41.3
C1216	4030011600	S.CER C1608 JB 1E 104K-T	T	123.7/38.6
C1217	4030007090	S.CER C1608 CH 1H 470J-T	T	121.5/39.3
C1301	4030007110	S.CER C1608 CH 1H 680J-T	T	74.9/51.3
C1302	4030007110	S.CER C1608 CH 1H 680J-T	T	80/45.5
C1303	4030011600	S.CER C1608 JB 1E 104K-T	T	76.8/49.1
C1304	4030007030	S.CER C1608 CH 1H 150J-T	T	75.7/44.5
C1310	4030011600	S.CER C1608 JB 1E 104K-T	T	79.9/51.3
C1311	4030006900	S.CER C1608 JB 1H 103K-T	T	84.5/48.4
C1312	4030011600	S.CER C1608 JB 1E 104K-T	T	82.6/47
C1313	4030011600	S.CER C1608 JB 1E 104K-T	T	77.6/41.7
C1314	4030011600	S.CER C1608 JB 1E 104K-T	T	76.5/40.4
C1315	4030011600	S.CER C1608 JB 1E 104K-T	B	79.7/50.1

[SCOPE/TV UNIT]

REF NO.	ORDER NO.	DESCRIPTION	M.	H/V LOCATION
C1316	4550006050	S.TAN TEESVA 0J 106M8R	B	78.6/46.2
C1422	4030011600	S.CER C1608 JB 1E 104K-T	T	90.8/48
C1423	4030006900	S.CER C1608 JB 1H 103K-T	T	93.1/46.2
C1424	4030011600	S.CER C1608 JB 1E 104K-T	T	94.3/45.9
C1425	4030011600	S.CER C1608 JB 1E 104K-T	T	80.2/30.5
C1426	4030011600	S.CER C1608 JB 1E 104K-T	T	95.9/42.8
C1427	4030011600	S.CER C1608 JB 1E 104K-T	T	97.2/41.5
C1428	4030011600	S.CER C1608 JB 1E 104K-T	T	97.9/33.7
C1429	4030011600	S.CER C1608 JB 1E 104K-T	T	95.5/31.6
C1430	4030011600	S.CER C1608 JB 1E 104K-T	T	92.1/28.2
C1501	4030006900	S.CER C1608 JB 1H 103K-T	T	100.7/47.7
C1502	4030006900	S.CER C1608 JB 1H 103K-T	T	99.3/51.9
C1503	4030006900	S.CER C1608 JB 1H 103K-T	T	95.7/49.5
C1504	4030007070	S.CER C1608 CH 1H 330J-T	T	96.6/51.5
C1505	4030006960	S.CER C1608 CH 1H 050C-T	T	92.8/49.5
C1506	4030007100	S.CER C1608 CH 1H 560J-T	T	92.1/51.5
C1507	4030007020	S.CER C1608 CH 1H 120J-T	T	88.3/51.3
C1508	4030007060	S.CER C1608 CH 1H 270J-T	T	85.4/51.8
C1602	4030009510	S.CER C1608 CH 1H 010B-T	T	136.4/75.2
C1603	4030011600	S.CER C1608 JB 1E 104K-T	T	131.8/72.6
C1604	4030011600	S.CER C1608 JB 1E 104K-T	T	138.7/66.8
C1605	4030007080	S.CER C1608 CH 1H 390J-T	T	130.8/51.5
C1606	4030019130	S.CER C2012 CH 1H 562JT-NS	T	138.9/58.7
C1607	4030018620	S.CER C1608 CH 1H 222J-T	T	137.4/57.9
C1609	4030007130	S.CER C1608 CH 1H 101J-T	T	132.3/62.9
C1610	4030007110	S.CER C1608 CH 1H 680J-T	T	132.3/61.7
C1611	4030018630	S.CER C2012 CH 1H 472J-T	T	135.8/62.2
C1612	4030011600	S.CER C1608 JB 1E 104K-T	B	130.6/59
C1613	4030011600	S.CER C1608 JB 1E 104K-T	B	135.9/51.5
C1615	4030018590	S.CER C1608 CH 1H 122J-T	T	137.4/63.6
C1616	4030018580	S.CER C1608 CH 1H 821J-T	T	132.4/64.4
C1617	4030018610	S.CER C1608 CH 1H 182J-T	T	132.4/65.6
C1618	4030018960	S.CER C3216 JB 1C 106MT-N	B	133.4/73.3
C1619	4030018960	S.CER C3216 JB 1C 106MT-N	B	135.6/62.3
C1620	4030018960	S.CER C3216 JB 1C 106MT-N	B	131.4/57.3
C1621	4030018960	S.CER C3216 JB 1C 106MT-N	B	137.7/50.7
C1701	4030011600	S.CER C1608 JB 1E 104K-T	T	131.4/76
C1702	4030018620	S.CER C1608 CH 1H 222J-T	T	130.2/76
C1703	4030018640	S.CER C2012 CH 1H 103J-T	T	128.6/75.7
C1901	4550006050	S.TAN TEESVA 0J 106M8R	B	81.9/28.7
C1902	4550006050	S.TAN TEESVA 0J 106M8R	T	75.8/34
C1903	4030007110	S.CER C1608 CH 1H 680J-T	T	62.5/45.5
C1904	4030007050	S.CER C1608 CH 1H 220J-T	T	64.5/45.9
C1905	4030007140	S.CER C1608 CH 1H 121J-T	T	67.3/42.4
C1906	4030006980	S.CER C1608 CH 1H 070D-T	T	68/44.3
C1907	4030007120	S.CER C1608 CH 1H 820J-T	T	68.6/42.4
C1908	4030006900	S.CER C1608 JB 1H 103K-T	T	64.7/51.5
C1909	4030007100	S.CER C1608 CH 1H 330J-T	T	70.9/50.9
C1910	4030007070	S.CER C1608 CH 1H 560J-T	T	68.3/50.9
C1911	4030006900	S.CER C1608 JB 1H 103K-T	T	64.8/55.1
C1912	4030006900	S.CER C1608 JB 1H 103K-T	T	68.5/60.1
C2001	4030006900	S.CER C1608 JB 1H 103K-T	T	114.1/28.4
C2002	4030011600	S.CER C1608 JB 1E 104K-T	T	112/23.5
C2003	4550006250	S.TAN TEESVA 1A 106M8R	T	119.3/19.1
C2004	4030011600	S.CER C1608 JB 1E 104K-T	T	117.6/18.3
C2005	4550006250	S.TAN TEESVA 1A 106M8R	T	112.2/21.6
C2006	4030011600	S.CER C1608 JB 1E 104K-T	B	114.5/17.9
C2012	4030006900	S.CER C1608 JB 1H 103K-T	T	115/14.8
C2101	4030006900	S.CER C1608 JB 1H 103K-T	T	56.9/77.9
C2102	4030007000	S.CER C1608 CH 1H 090D-T	T	64.3/75
C2103	4030011600	S.CER C1608 JB 1E 104K-T	T	67.3/74.1
C2104	4030006900	S.CER C1608 JB 1H 103K-T	B	68.5/70.5
C2160	4030007110	S.CER C1608 CH 1H 680J-T	T	52.3/71
C2161	4030007090	S.CER C1608 CH 1H 470J-T	T	50.8/71
C2162	4030007080	S.CER C1608 CH 1H 390J-T	T	52.3/67.8
C2163	4030007130	S.CER C1608 CH 1H 101J-T	T	50.8/67.8
C2164	4030007060	S.CER C1608 CH 1H 270J-T	T	53.8/66.3
C2165	4030007080	S.CER C1608 CH 1H 390J-T	T	51.5/62.8
C2166	4030007050	S.CER C1608 CH 1H 220J-T	T	50.9/60
C2167	4030007120	S.CER C1608 CH 1H 820		

[SCOPE/TV UNIT]

REF NO.	ORDER NO.	DESCRIPTION	M.	H/V LOCATION
J401	6510020081	S.CNR 52808-2071 (2090)	T	71/5.5
J1001	6510007020	CNR TMP-J01X-V6		
J1301	6510007020	CNR TMP-J01X-V6		
J1601	6510018961	S.CNR B2B-PH-SM4-TB (LF) (SN)	T	138.4/49.5
J2001	6510007020	CNR TMP-J01X-V6		
J2301	6510007020	CNR TMP-J01X-V6		
EP401	6910015970	S.BEA MMZ1608B 301CT-AS	T	65.1/11.5
EP402	6910015970	S.BEA MMZ1608B 301CT-AS	T	66.4/11.5
EP403	6910015970	S.BEA MMZ1608B 301CT-AS	T	67.7/11.5
EP404	6910015970	S.BEA MMZ1608B 301CT-AS	T	69/11.5
EP405	6910014730	S.BEA MPZ2012S331A-T	T	72.5/11.8
EP1101	6910015970	S.BEA MMZ1608B 301CT-AS	T	98.8/64.7
EP1301	6910015970	S.BEA MMZ1608B 301CT-AS	T	81.4/47
EP1501	6910015970	S.BEA MMZ1608B 301CT-AS	B	106.7/49.9
EP2001	6910015970	S.BEA MMZ1608B 301CT-AS	B	114.5/19.4
EP2002	6910015970	S.BEA MMZ1608B 301CT-AS	B	116/21.4
EP2201	6910015970	S.BEA MMZ1608B 301CT-AS	T	46.8/43.9

[OSC UNIT]

REF NO.	ORDER NO.	DESCRIPTION	M.	H/V LOCATION
IC10	1180002610	S.REG BA12FP-E2	T	37.8/20
IC91	1190002001	S.IC AD5260BRUZ50	T	26.8/12
IC92	1130005721	S.IC TC7W04F (TE12L,F)	T	23.7/6.1
Q10	1590003520	S.TR BCR108T	T	32.2/35.1
Q11	1590003520	S.TR BCR108T	T	22.1/42.4
Q12	1590003520	S.TR BCR108T	T	29.1/41.5
Q13	1590003520	S.TR BCR108T	T	31.6/41.5
Q21	1530002060	S.TR 2SC4081 T106 R	T	11.3/6.3
Q22	1530002601	S.TR 2SC4215-O (TE85R,F)	T	10.4/17.8
Q23	1590003520	S.TR BCR108T	T	13/11
Q42	1530002601	S.TR 2SC4215-O (TE85R,F)	T	18.8/18.8
Q43	1590003520	S.TR BCR108T	T	19.6/11.7
Q61	1530002060	S.TR 2SC4081 T106 R	T	26.1/36.1
Q62	1530002060	S.TR 2SC4081 T106 R	T	20.6/38.6
Q70	1530002060	S.TR 2SC4081 T106 R	T	9.9/41.2
Q101	1530002700	S.TR 2SC4097 T106Q	T	36.7/40
D10	1790001250	S.DIO MA2S111-(TX)	T	31.4/31.7
D11	1790001250	S.DIO MA2S111-(TX)	T	16.5/38.2
D71	1750000381	S.DIO 1SS312 (TE85L,F)	T	29.8/34.9
D72	1750000381	S.DIO 1SS312 (TE85L,F)	T	29.9/37.6
X1	6050012210	XTL CR-772.OCVXO-148A		
L20	6200005491	S.COL NLV32T-331J	T	14.7/1.9
L21	6200003261	S.COL NLV32T-101J	T	6.9/11.2
L22	6200003261	S.COL NLV32T-101J	T	7.9/14.7
L23	6200003041	S.COL NLV32T-R68J	T	6.9/20.3
L24	6200003051	S.COL NLV32T-R82J	T	6.2/23.8
L41	6200003261	S.COL NLV32T-101J	T	15.3/13.7
L42	6200003261	S.COL NLV32T-101J	T	14.7/17.2
L43	6200003041	S.COL NLV32T-R68J	T	15.3/22.4
L44	6200003051	S.COL NLV32T-R82J	T	18.8/24.2
L61	6150004170	COL LS-476		
L62	6150004170	COL LS-476		
R1	7030003440	S.RES ERJ3GEYJ 102 V (1 k)	T	32.4/44.3
R2	7030003440	S.RES ERJ3GEYJ 102 V (1 k)	T	29.8/44.2
R3	7030003440	S.RES ERJ3GEYJ 102 V (1 k)	T	25.8/44.2
R11	7030003200	S.RES ERJ3GEYJ 100 V (10)	T	33.3/32.3
R12	7030003200	S.RES ERJ3GEYJ 100 V (10)	T	16.7/40.3
R13	7030003440	S.RES ERJ3GEYJ 102 V (1 k)	T	16.8/11.6
R20	7030003240	S.RES ERJ3GEYJ 220 V (22)	T	11.3/1.8
R21	7030003560	S.RES ERJ3GEYJ 103 V (10 k)	T	11.1/4.4
R22	7030003370	S.RES ERJ3GEYJ 271 V (270)	T	15.5/7.9
R23	7030004040	S.RES ERJ3GEYJ 4R7 V (4.7)	T	11.4/14
R24	7030003370	S.RES ERJ3GEYJ 271 V (270)	T	12.3/17.7
R25	7030003500	S.RES ERJ3GEYJ 332 V (3.3 k)	T	10.1/14.2
R26	7030003480	S.RES ERJ3GEYJ 222 V (2.2 k)	T	12.8/9.1
R27	7030003360	S.RES ERJ3GEYJ 221 V (220)	T	5.8/13.9
R28	7030003440	S.RES ERJ3GEYJ 102 V (1 k)	T	10.2/11.9
R43	7030003240	S.RES ERJ3GEYJ 220 V (22)	T	19.7/14.2
R44	7030003370	S.RES ERJ3GEYJ 271 V (270)	T	20.7/18.6
R45	7030003500	S.RES ERJ3GEYJ 332 V (3.3 k)	T	17.9/15.1
R46	7030003480	S.RES ERJ3GEYJ 222 V (2.2 k)	T	19.4/9.8
R47	7030003290	S.RES ERJ3GEYJ 560 V (56)	T	16.8/17.9
R61	7030003240	S.RES ERJ3GEYJ 220 V (22)	T	22.2/35.4
R62	7030003560	S.RES ERJ3GEYJ 103 V (10 k)	T	26.3/34.2
R63	7030003380	S.RES ERJ3GEYJ 331 V (330)	T	25.9/38
R64	7030003280	S.RES ERJ3GEYJ 470 V (47)	T	20.8/40.5
R65	7030003400	S.RES ERJ3GEYJ 471 V (470)	T	20/34.8
R67	7030003560	S.RES ERJ3GEYJ 103 V (10 k)	T	19.6/36.7
R68	7030003550	S.RES ERJ3GEYJ 822 V (8.2 k)	T	22.2/36.7
R71	7030003340	S.RES ERJ3GEYJ 151 V (150)	T	32.6/38.2
R72	7030003270	S.RES ERJ3GEYJ 390 V (39)	T	31.2/39.5
R73	7030003340	S.RES ERJ3GEYJ 151 V (150)	T	28.6/39.5
R75	7030003280	S.RES ERJ3GEYJ 470 V (47)	T	16.2/43.1
R77	7030003320	S.RES ERJ3GEYJ 101 V (100)	T	12.5/44.6
R78	7030003470	S.RES ERJ3GEYJ 182 V (1.8 k)	T	8/41
R79	7030003480	S.RES ERJ3GEYJ 222 V (2.2 k)	T	6.1/41.6
R80	7030003360	S.RES ERJ3GEYJ 221 V (220)	T	11.8/41
R82	7030003280	S.RES ERJ3GEYJ 470 V (47)	T	17.5/43.1
R91	7030006091	S.RES ERA3YED 822V (8.2 k)	T	19.5/7.1
R92	7030005341	S.RES ERA3YED 332V (3.3 k)	T	19.5/8.4
R93	7030003560	S.RES ERJ3GEYJ 103 V (10 k)	T	25.6/1.4
R94	7030003540	S.RES ERJ3GEYJ 682 V (6.8 k)	T	25.6/2.7
R95	7030003320	S.RES ERJ3GEYJ 101 V (100)	T	22.4/16.7
R96	7030003440	S.RES ERJ3GEYJ 102 V (1 k)	T	32/14.1
R97	7030003440	S.RES ERJ3GEYJ 102 V (1 k)	T	28.6/16.1
R98	7030003640	S.RES ERJ3GEYJ 473 V (47 k)	T	27.3/16.1
R99	7030003480	S.RES ERJ3GEYJ 222 V (2.2 k)	T	22.4/10.1
R100	7030003640	S.RES ERJ3GEYJ 473 V (47 k)	T	27.2/6.4
R101	7030003360	S.RES ERJ3GEYJ 221 V (220)	T	36.9/38.1
R102	7030005981	S.RES ERA3YED 333V (33 k)	T	32.4/6.7
C1	4030006880	S.CER C1608 JB 1H 472K-T	T	39.6/47.6
C2	4030006880	S.CER C1608 JB 1H 472K-T	T	31.1/44.3
C3	4030006880	S.CER C1608 JB 1H 472K-T	T	33.7/44
C4	4030006880	S.CER C1608 JB 1H 472K-T	T	30.5/8.6
C5	4510008550	S.ELE EEE1HA010SR	T	30.6/2.6
C6	4030006880	S.CER C1608 JB 1H 472K-T	T	35/3.4
C7	4510008550	S.ELE EEE1HA010SR	T	38.7/2.6
C8	4030011600	S.CER C1608 JB 1E 104K-T	T	17.3/2.1
C9	4030006880	S.CER C1608 JB 1H 472K-T	T	27.1/43.1
C10	4510008680	S.ELE EEE1EA220SP	T	29.7/21.3
C11	4030004760	S.CER C2012 JF 1H 104Z-T	T	35.9/13
C12	4030006880	S.CER C1608 JB 1H 472K-T	T	39.2/12.8

M.=Mounted side (T: Mounted on the Top side B: Mounted on the Bottom side)
S.=Surface mount

[OSC UNIT]

REF NO.	ORDER NO.	DESCRIPTION	M.	H/V LOCATION
C13	4510008680	S.ELE EEE1EA220SP	T	37.1/8.6
C14	4030006880	S.CER C1608 JB 1H 472K-T	T	94.7/33.9
C15	4030011600	S.CER C1608 JB 1E 104K-T	T	39.2/14.1
C16	4030011600	S.CER C1608 JB 1E 104K-T	T	29.6/32.3
C17	4030011600	S.CER C1608 JB 1E 104K-T	T	19.4/41.8
C18	4030011600	S.CER C1608 JB 1E 104K-T	T	17.8/38.3
C19	4030011600	S.CER C1608 JB 1E 104K-T	T	31.5/33
C20	4030011600	S.CER C1608 JB 1E 104K-T	T	13.3/5.2
C21	4030011600	S.CER C1608 JB 1E 104K-T	T	11.3/3.1
C22	4030011600	S.CER C1608 JB 1E 104K-T	T	15/11
C23	4030011600	S.CER C1608 JB 1E 104K-T	T	11.9/15.8
C24	4030011600	S.CER C1608 JB 1E 104K-T	T	12.7/14
C25	4030011600	S.CER C1608 JB 1E 104K-T	T	10.2/19.8
C26	4030017800	S.CER C1608 CH 1H 561J-T	T	10.2/21.1
C27	4030007120	S.CER C1608 CH 1H 820J-T	T	7.7/18.2
C28	4030011340	S.CER C1608 CH 1H 471J-T	T	8.9/22.5
C29	4030011330	S.CER C1608 CH 1H 391J-T	T	10.2/23.8
C30	4030007050	S.CER C1608 CH 1H 220J-T	T	8.4/24.5
C31	4030017800	S.CER C1608 CH 1H 561J-T	T	10.2/25.1
C32	4030011600	S.CER C1608 JB 1E 104K-T	T	10.8/9.2
C33	4030011600	S.CER C1608 JB 1E 104K-T	T	9.5/10.1
C42	4030011600	S.CER C1608 JB 1E 104K-T	T	21.6/12.7
C43	4030011600	S.CER C1608 JB 1E 104K-T	T	20.1/16.8
C44	4030011600	S.CER C1608 JB 1E 104K-T	T	19.9/15.5
C45	4030011600	S.CER C1608 JB 1E 104K-T	T	13.2/20.6
C46	4030017800	S.CER C1608 CH 1H 561J-T	T	15/19.8
C47	4030007120	S.CER C1608 CH 1H 820J-T	T	13.2/23.2
C48	4030011340	S.CER C1608 CH 1H 471J-T	T	17.5/21.5
C49	4030011330	S.CER C1608 CH 1H 391J-T	T	18.8/21.5
C50	4030007050	S.CER C1608 CH 1H 220J-T	T	20.6/22.1
C51	4030017800	S.CER C1608 CH 1H 561J-T	T	21.7/24.4
C52	4030011600	S.CER C1608 JB 1E 104K-T	T	17.6/8.8
C53	4030011600	S.CER C1608 JB 1E 104K-T	T	16.3/9.7
C61	4030011600	S.CER C1608 JB 1E 104K-T	T	26.3/32.9
C62	4030011600	S.CER C1608 JB 1E 104K-T	T	24.1/36.1
C63	4030011600	S.CER C1608 JB 1E 104K-T	T	25.9/39.3
C64	4030011600	S.CER C1608 JB 1E 104K-T	T	22.7/34.1
C66	4030007010	S.CER C1608 CH 1H 100D-T	T	12.8/25.1
C67	4030011600	S.CER C1608 JB 1E 104K-T	T	17/35.4
C71	4030006880	S.CER C1608 JB 1H 472K-T	T	33.8/39.5
C72	4030006880	S.CER C1608 JB 1H 472K-T	T	14.4/45.4
C73	4030006880	S.CER C1608 JB 1H 472K-T	T	6.1/40.3
C74	4030006880	S.CER C1608 JB 1H 472K-T	T	10/43.2
C75	4030006880	S.CER C1608 JB 1H 472K-T	T	13.1/40.9
C76	4030006880	S.CER C1608 JB 1H 472K-T	T	19.4/45.4
C77	4030011600	S.CER C1608 JB 1E 104K-T	T	10.7/44.6
C91	4030006880	S.CER C1608 JB 1H 472K-T	T	25.5/16.4
C92	4030006880	S.CER C1608 JB 1H 472K-T	T	17.3/4.7
C93	4030006880	S.CER C1608 JB 1H 472K-T	T	22.1/2.7
C94	4030006880	S.CER C1608 JB 1H 472K-T	T	27.9/8.6
C101	4550006480	S.TAN TEESVA 1C 475M8R	T	40/38.9
RL10	6330001750	R.LY FTR-B4CA012Z		
RL11	6330001750	R.LY FTR-B4CA012Z		
J2	6510019971	S.CNR 52808-1071	T	30.5/48.8
J71	6510007020	CNR TMP-J01X-V6		
J72	6510007020	CNR TMP-J01X-V6		
J73	6510007020	CNR TMP-J01X-V6		
EP2	6910014730	S.BEA MPZ2012S331A-T	T	38.8/43.6
EP3	6910014730	S.BEA MPZ2012S331A-T	T	35.8/43.6
EP10	6910014730	S.BEA MPZ2012S331A-T	T	94.7/30.6
EP91	6910014730	S.BEA MPZ2012S331A-T	T	23.6/19.7
EP92	6910014730	S.BEA MPZ2012S331A-T	T	19.2/4.4

[DC-DC UNIT]

REF NO.	ORDER NO.	DESCRIPTION	M.	H/V LOCATION
IC1	1190002450	S.IC BD9851FEV-E2	T	37.8/69.7
IC21	1190002450	S.IC BD9851FEV-E2	T	85.5/69.7
IC41	1190002450	S.IC BD9851FEV-E2	T	37.8/26.6
IC151	1110002700	S.IC NJM2904M-TE1-#FMZB	T	162.5/59.9
Q1	1550000120	S.FET SSM3J112TU (TE85L)	T	28.6/66.8
Q2	1550000120	S.FET SSM3J112TU (TE85L)	T	28.6/64.1
Q11	1550000120	S.FET SSM3J112TU (TE85L)	T	42.4/65.1
Q12	1550000120	S.FET SSM3J112TU (TE85L)	T	42.4/62.4
Q21	1550000120	S.FET SSM3J112TU (TE85L)	T	74.9/67.1
Q31	1560001330	S.FET RSR025N03	T	86.6/62.9
Q41	1550000120	S.FET SSM3J112TU (TE85L)	T	28.6/21
Q42	1550000120	S.FET SSM3J112TU (TE85L)	T	28.6/23.7
Q51	1550000120	S.FET SSM3J112TU (TE85L)	T	42.4/22
Q52	1550000120	S.FET SSM3J112TU (TE85L)	T	42.4/19.3
Q101	1560001260	S.FET 2SK3018 T106	T	156.1/61.6
Q102	1590003570	S.TR BCR183T	T	156.2/57.4
Q111	1520000460	S.TR 2SB1132 T100 R	T	154.9/45.8
Q112	1530002060	S.TR 2SC4081 T106 R	T	158.6/48.2
D1	1750000960	S.DIO RB081L-20	T	31.4/61.1
D2	1750000980	S.DIO RB551V-30TE-17	T	30.9/69.7
D11	1750000960	S.DIO RB081L-20	T	38.1/59.9
D12	1750000980	S.DIO RB551V-30TE-17	T	42.6/68.1
D21	1790001450	S.DIO RB160L-40 TE-25	T	71.7/65.1
D31	1790001450	S.DIO RB160L-40 TE-25	T	97/62.6
D41	1750000960	S.DIO RB081L-20	T	31.4/18
D42	1750000980	S.DIO RB551V-30TE-17	T	30.9/26.6
D51	1750000960	S.DIO RB081L-20	T	38.1/16.8
D52	1750000980	S.DIO RB551V-30TE-17	T	42.6/25
D101	1750000550	S.DIO 1SS355 TE-17	T	154/61.7
D102	1750000550	S.DIO 1SS355 TE-17	T	154.2/55.8
D111	1730002280	S.ZEN MA8091-M (TX)	T	162.1/49.7
D121	1790000700	DIO DSA3A1		
D122	1790000700	DIO DSA3A1		
D151	1750000550	S.DIO 1SS355 TE-17	T	161.6/54.2
F1121	4580000220	S.FIL ACM1211-701-2PL-TL	T	151.1/26.3
L1	6200012250	S.COL SLF7045T-3R3M2R5-PF 3.3U	T	23/62.5
L2	6200011300	S.COL EXCML16A270U	T	27.4/61.4
L11	6200012250	S.COL SLF7045T-3R3M2R5-PF 3.3U	T	48/60.2
L12	6200011300	S.COL EXCML16A270U	T	42.9/60.3
L21	6180003501	S.COL SLP6028T-100M1R3-PF	T	78.2/60.4
L22	6200011300	S.COL EXCML16A270U	T	72.1/61.3
L23	6200011300	S.COL EXCML16A270U	T	76.7/65.2
L31	6200012240	S.COL SLF6028T-330MR69-PF 33U	T	92.2/62.4
L32	6200011300	S.COL EXCML16A270U	T	96.2/58
L33	6200011300	S.COL EXCML16A270U	T	88.3/64.9
L41	6200012250	S.COL SLF7045T-3R3M2R5-PF 3.3U	T	23/19.4
L42	6200011300	S.COL EXCML16A270U	T	27.4/18.3
L51	6200012250	S.COL SLF7045T-3R3M2R5-PF 3.3U	T	48/17.1
L52	6200011300	S.COL EXCML16A270U	T	42.9/17.2
L91	6200010881	S.COL CDRH124NP-330MC	T	56.1/72.8
L92	6200010881	S.COL CDRH124NP-330MC	T	103.8/72.8
L93	6200010881	S.COL CDRH124NP-330MC	T	56.1/29.7
R1	7030006561	S.RES ERA3YED 223V (22 k)	T	24.2/70
R2	7030007230	S.RES ERA3YED 102V (1 k)	T	24.2/71.3
R3	7030005321	S.RES ERA3YED 103V (10 k)	T	24.2/72.6
R4	7030003440	S.RES ERJ3GEYJ 102 V (1 k)	T	27/68.7
R5	7030003480	S.RES ERJ3GEYJ 222 V (2.2 k)	T	31.5/72
R6	7030003760	S.RES ERJ3GEYJ 474 V (470 k)	T	28.9/72
R8	7030005451	S.RES ERA3YED 153V (15 k)	T	29.6/73.9
R9	7030005321	S.RES ERA3YED 103V (10 k)	T	31.5/74.7
R10	7030003600	S.RES ERJ3GEYJ 223 V (22 k)	T	34.1/74.7
R11	7030006561	S.RES ERA3YED 223V (22 k)	T	46.2/70.4
R12	7030007230	S.RES ERA3YED 102V (1 k)	T	47.8/69.1
R13	7030005321	S.RES ERA3YED 103V (10 k)	T	45.5/72.5
R14	7030003440	S.RES ERJ3GEYJ 102 V (1 k)	T	48.1/72.5
R15	7030003480	S.RES ERJ3GEYJ 222 V (2.2 k)	T	45.5/68.4
R16	7030003760	S.RES ERJ3GEYJ 474 V (470 k)	T	45.7/65.8
R17	7510001671	S.TMR NTCG16 4BH 103JT	T	37.4/73.8
R18	7030006601	S.RES ERA3YED 272V (2.7 k)	T	37.4/75.3
R21	7030005691	S.RES ERA3YED 123V (12 k)	T	73.8/75.1
R22	7030007230	S.RES ERA3YED 102V (1 k)	T	76.4/74.4
R23	7030006461	S.RES ERA3YED 152V (1.5 k)	T	73.8/72.4
R24	7030003440	S.RES ERJ3GEYJ 102 V (1 k)	T	72.5/75.1
R25	7030003440	S.RES ERJ3GEYJ 102 V (1 k)	T	77.1/71
R26	7030003700	S.RES ERJ3GEYJ 154 V (150 k)	T	75.1/69.8
R27	7030003740	S.RES ERJ3GEYJ 334 V (330 k)	T	73/69
R28	7030005451	S.RES ERA3YED 153V (15 k)	T	77.1/72.3
R29	7030005321	S.RES ERA3YED 103V (10 k)	T	77.7/74.4
R30	7030003600	S.RES ERJ3GEYJ 223 V (22 k)	T	80.9/72.9
R31	7030008071	S.RES ERA3YED 273V (27 k)	T	93.9/70.6
R33	7030007230	S.RES ERA3YED 102V (1 k)	T	93.2/72.7
R34	7030003440	S.RES ERJ3GEYJ 102 V (1 k)	T	95.8/72.7
R35	7030003440	S.RES ERJ3GEYJ 102 V (1 k)	T	92.4/68.4
R36	7030003700	S.RES ERJ3GEYJ 154 V (150 k)	T	94.7/66.6
R37	7030003740	S.RES ERJ3GEYJ 334 V (330 k)	T	96.4/68.6
R41	7030005691	S.RES ERA3YED 123V (12 k)	T	24.2/26.9
R42	7030005691	S.RES ERA3YED 123V (12 k)	T	24.2/28.2
R43	7030005321	S.RES ERA3YED 103V (10 k)	T	24.2/29.5
R44	7030003440	S.RES ERJ3GEYJ 102 V (1 k)	T	27/25.6
R45	7030003480	S.RES ERJ3GEYJ 222 V (2.2 k)	T	31.5/28.9
R46	7030003760	S.RES ERJ3GEYJ 474 V (470 k)	T	28.9/28.9
R48	7030005451	S.RES ERA3YED 153V (15 k)	T	29.6/30.8
R49	7030005321	S.RES ERA3YED 103V (10 k)	T	31.5/31.6
R50	7030003600	S.RES ERJ3GEYJ 223 V (22 k)	T	34.1/31.6

M.=Mounted side (T: Mounted on the Top side B: Mounted on the Bottom side) S.=Surface mount

[DC-DC UNIT]

REF NO.	ORDER NO.	DESCRIPTION	M.	H/V LOCATION
R51	7030005691	S.RES ERA3YED 123V (12 k)	T	46.2/27.3
R52	7030005691	S.RES ERA3YED 123V (12 k)	T	47.8/26
R53	7030005321	S.RES ERA3YED 103V (10 k)	T	45.5/29.4
R54	7030003440	S.RES ERJ3GEYJ 102 V (1 k)	T	48.1/29.4
R55	7030003480	S.RES ERJ3GEYJ 222 V (2.2 k)	T	45.5/25.3
R56	7030003760	S.RES ERJ3GEYJ 474 V (470 k)	T	45.7/22.7
R101	7030003320	S.RES ERJ3GEYJ 101 V (100)	T	152.4/64.8
R102	7030003680	S.RES ERJ3GEYJ 104 V (100 k)	T	156/65
R103	7030003320	S.RES ERJ3GEYJ 101 V (100)	T	153.2/58.1
R104	7030003860	S.RES ERJ3GE JPW V	T	152/49.4
R112	7030003500	S.RES ERJ3GEYJ 332 V (3.3 k)	T	160.5/49.4
R113	7030003860	S.RES ERJ3GE JPW V	T	163.8/41.8
R114	7030003560	S.RES ERJ3GEYJ 103 V (10 k)	T	155.6/49.1
R131	7030003440	S.RES ERJ3GEYJ 102 V (1 k)	T	2.7/42.3
R132	7030003440	S.RES ERJ3GEYJ 102 V (1 k)	T	1.4/42.3
R151	7030005351	S.RES ERA3YED 182V (1.8 k)	T	167.2/59.3
R152	7030005341	S.RES ERA3YED 332V (3.3 k)	T	165.9/60.8
R153	7030005341	S.RES ERA3YED 332V (3.3 k)	T	161.8/65.5
R154	7030005681	S.RES ERA3YKD 473V (47 k)	T	163.7/64.7
R155	7030003200	S.RES ERJ3GEYJ 100 V (10)	T	167.2/56.3
C1	4030011600	S.CER C1608 JB 1E 104K-T	T	29.2/56.9
C2	4030018970	S.CER C3225 JB 1C 226MT-N	T	32.2/58.1
C3	4030018970	S.CER C3225 JB 1C 226MT-N	T	32.2/66.1
C4	4030010240	S.CER C1608 JB 1H 391K-T	T	27/70
C5	4030010770	S.CER C1608 JB 1H 392K-T	T	30.2/72
C7	4030018520	S.CER C1608 JB 0J 225M-T	T	27.6/72
C8	4030007070	S.CER C1608 CH 1H 330J-T	T	32.8/74.7
C9	4030011600	S.CER C1608 JB 1E 104K-T	T	52/64.6
C11	4030011600	S.CER C1608 JB 1E 104K-T	T	43.6/57.1
C12	4030018970	S.CER C3225 JB 1C 226MT-N	T	37.8/56.9
C13	4030018970	S.CER C3225 JB 1C 226MT-N	T	38.3/63.7
C14	4030010240	S.CER C1608 JB 1H 391K-T	T	46.8/72.5
C15	4030010770	S.CER C1608 JB 1H 392K-T	T	44.2/68.4
C16	4030011600	S.CER C1608 JB 1E 104K-T	T	47.8/67.8
C17	4030018520	S.CER C1608 JB 0J 225M-T	T	47.8/66.5
C18	4030019090	S.CER C2012 JB 1C 225M-T	T	42.6/73.8
C19	4030017490	S.CER C1608 JB 1A 105K-T	T	44.1/72.8
C21	4030011600	S.CER C1608 JB 1E 104K-T	T	70.6/59
C22	4030018970	S.CER C3225 JB 1C 226MT-N	T	72.9/58.2
C23	4030018970	S.CER C3225 JB 1C 226MT-N	T	79.6/66.1
C24	4030010020	S.CER C1608 JB 1H 122K-T	T	75.1/74.4
C25	4030008860	S.CER C1608 JB 1H 153K-T	T	77.1/69.7
C27	4030011600	S.CER C1608 JB 1E 104K-T	T	73/70.3
C28	4030007070	S.CER C1608 CH 1H 330J-T	T	79.6/72.2
C29	4030011600	S.CER C1608 JB 1E 104K-T	T	100.2/65
C31	4030011600	S.CER C1608 JB 1E 104K-T	T	98.2/57.2
C32	4030011600	S.CER C1608 JB 1E 104K-T	T	98.2/55.9
C33	4030018970	S.CER C3225 JB 1C 226MT-N	T	91.3/56.7
C34	4030018970	S.CER C3225 JB 1C 226MT-N	T	86.6/56.7
C35	4030018970	S.CER C3225 JB 1C 226MT-N	T	86.6/59.7
C36	4030010240	S.CER C1608 JB 1H 391K-T	T	94.5/72.7
C37	4030008850	S.CER C1608 JB 1H 123K-T	T	91.1/68.4
C38	4030011600	S.CER C1608 JB 1E 104K-T	T	93.8/68.6
C39	4030006880	S.CER C1608 JB 1H 472K-T	T	95.1/68.6
C41	4030011600	S.CER C1608 JB 1E 104K-T	T	29.2/13.8
C42	4030018970	S.CER C3225 JB 1C 226MT-N	T	32.2/15
C43	4030018970	S.CER C3225 JB 1C 226MT-N	T	32.2/23
C44	4030010240	S.CER C1608 JB 1H 391K-T	T	27/26.9
C45	4030010770	S.CER C1608 JB 1H 392K-T	T	30.2/28.9
C47	4030018520	S.CER C1608 JB 0J 225M-T	T	27.6/28.9
C48	4030007070	S.CER C1608 CH 1H 330J-T	T	32.8/31.6
C49	4030011600	S.CER C1608 JB 1E 104K-T	T	52/21.5
C51	4030011600	S.CER C1608 JB 1E 104K-T	T	43.6/14
C52	4030018970	S.CER C3225 JB 1C 226MT-N	T	37.8/13.8
C53	4030018970	S.CER C3225 JB 1C 226MT-N	T	38.3/20.6
C54	4030010240	S.CER C1608 JB 1H 391K-T	T	46.8/29.4
C55	4030010770	S.CER C1608 JB 1H 392K-T	T	44.2/25.3
C56	4030011600	S.CER C1608 JB 1E 104K-T	T	47.8/24.7
C57	4030018520	S.CER C1608 JB 0J 225M-T	T	47.8/23.4
C58	4030019090	S.CER C2012 JB 1C 225M-T	T	42.6/30.7
C59	4030017490	S.CER C1608 JB 1A 105K-T	T	44.1/29.7
C95	4030019090	S.CER C2012 JB 1C 225M-T	T	90.3/73.8
C96	4030017490	S.CER C1608 JB 1A 105K-T	T	91.8/72.8
C97	4030011600	S.CER C1608 JB 1E 104K-T	T	85.2/65.5
C101	4030011600	S.CER C1608 JB 1E 104K-T	T	156/63.7
C102	4030011600	S.CER C1608 JB 1E 104K-T	T	153.7/64.8
C103	4030011600	S.CER C1608 JB 1E 104K-T	T	152.4/62
C104	4030011600	S.CER C1608 JB 1E 104K-T	T	156.4/55.3
C105	4030011600	S.CER C1608 JB 1E 104K-T	T	156.4/54
C106	4030011600	S.CER C1608 JB 1E 104K-T	T	152.4/56.1
C111	4030011600	S.CER C1608 JB 1E 104K-T	T	163.6/49.3
C112	4030011600	S.CER C1608 JB 1E 104K-T	T	162.9/39.8
C113	4510008500	S.ELE EEE1CA101WP	T	157.2/36.9
C121	4510008360	ELE 16 ME 1000 AX	T	
C122	4030011600	S.CER C1608 JB 1E 104K-T	T	143/33.8
C123	4030017810	S.CER C1608 CH 1H 102J-T	T	162.6/25.5
C124	4030011600	S.CER C1608 JB 1E 104K-T	T	163.9/25.5
C126	4030011600	S.CER C1608 JB 1E 104K-T	T	142.7/43
C127	4030018960	S.CER C3216 JB 1C 106MT-N	T	146.4/33.7
C129	4030011600	S.CER C1608 JB 1E 104K-T	T	164.4/34.2
C130	4030018970	S.CER C3225 JB 1C 226MT-N	T	162.3/33.8
C131	4030011600	S.CER C1608 JB 1E 104K-T	T	8.8/15.2
C132	4030011600	S.CER C1608 JB 1E 104K-T	T	14.5/25.2
C133	4030011600	S.CER C1608 JB 1E 104K-T	T	14.5/27.7
C134	4030011600	S.CER C1608 JB 1E 104K-T	T	14.5/30.2
C141	4030011600	S.CER C1608 JB 1E 104K-T	T	9.1/53.8
C142	4030011600	S.CER C1608 JB 1E 104K-T	T	14.2/58.8
C143	4030011600	S.CER C1608 JB 1E 104K-T	T	16/61.3
C144	4030011600	S.CER C1608 JB 1E 104K-T	T	13.2/61.3
C145	4030011600	S.CER C1608 JB 1E 104K-T	T	13.2/63.8
C146	4030011600	S.CER C1608 JB 1E 104K-T	T	9/71.3
C151	4030011600	S.CER C1608 JB 1E 104K-T	T	165.9/57.8

[DC-DC UNIT]

REF NO.	ORDER NO.	DESCRIPTION	M.	H/V LOCATION
RL101	6330001060	RLY APQ 3311 (APQ3311K1)		
RL102	6330001060	RLY APQ 3311 (APQ3311K1)		
J1	6510003461	CNR B10B-EH-S (LF) (SN)		
J2	6510003441	CNR B08B-EH-S (LF) (SN)		
J4	6510003441	CNR B08B-EH-S (LF) (SN)		
J7	6510014961	S.CNR B2B-ZR-SM4-TF (LF) (SN)	T	167.1/45.1
F141	5210001040	S.FUS ICP-S1.2TN	T	12.2/11.9
F142	5210001040	S.FUS ICP-S1.2TN	T	15.2/11.9
F143	5210001050	S.FUS ICP-S0.5TN	T	24.7/48.1
F144	5210001050	S.FUS ICP-S0.5TN	T	29.5/46.8
F145	5210001040	S.FUS ICP-S1.2TN	T	14.9/52.9
F146	5210001040	S.FUS ICP-S1.2TN	T	12.6/50.6
W1	8900015610	CBL OPC-1591		
EP1	6910014730	S.BEA MPZ2012S331A-T	T	27.6/58.3
EP11	6910014730	S.BEA MPZ2012S331A-T	T	42.1/56.8
EP21	6910014730	S.BEA MPZ2012S331A-T	T	69/58.8
EP31	6910014730	S.BEA MPZ2012S331A-T	T	94.6/56.9
EP41	6910014730	S.BEA MPZ2012S331A-T	T	27.6/15.2
EP51	6910014730	S.BEA MPZ2012S331A-T	T	42.1/13.7
EP131	6910014730	S.BEA MPZ2012S331A-T	T	8.9/30.2
EP132	6910014730	S.BEA MPZ2012S331A-T	T	8.9/27.7
EP133	6910014730	S.BEA MPZ2012S331A-T	T	8.9/25.2
EP134	6910014730	S.BEA MPZ2012S331A-T	T	8.9/22.7
EP135	6910014730	S.BEA MPZ2012S331A-T	T	8.9/20.2
EP136	6910014730	S.BEA MPZ2012S331A-T	T	8.9/17.7
EP141	6910014730	S.BEA MPZ2012S331A-T	T	8.9/68.8
EP142	6910014730	S.BEA MPZ2012S331A-T	T	8.9/66.3
EP143	6910014730	S.BEA MPZ2012S331A-T	T	8.9/63.8
EP144	6910014730	S.BEA MPZ2012S331A-T	T	8.9/61.3
EP145	6910014730	S.BEA MPZ2012S331A-T	T	8.9/58.8
EP146	6910014730	S.BEA MPZ2012S331A-T	T	8.9/56.3

M.=Mounted side (T: Mounted on the Top side B: Mounted on the Bottom side)
S.=Surface mount

[CONNECT-A UNIT]

REF NO.	ORDER NO.	DESCRIPTION	M.	H/V LOCATION
IC1	1120003040	S.IC ADM3202ARNZ	T	172.3/26.1
IC2	1130005721	S.IC TC7W04F (TE12L,F)	T	155.8/28.2
IC3	1130005252	S.IC TC74HC08AF (EL,F)	T	155.8/16.4
Q1	1510000510	S.TR 2SA1576A T106R	T	150.2/26.4
Q2	1530002280	S.TR 2SC4081 T106 S	T	144.1/20.8
D1	1750000550	S.DIO 1SS355 TE-17	T	144.3/24.2
L301	6200003191	S.COL NLV32T-470J	T	87/34.4
L401	6200003241	S.COL NLV32T-221J	T	90.3/14.5
R1	7030003860	S.RES ERJ3GE JPW V	T	176.3/35
R2	7030003860	S.RES ERJ3GE JPW V	T	172/35
R3	7030003860	S.RES ERJ3GE JPW V	T	172/33.6
R4	7030003860	S.RES ERJ3GE JPW V	T	191.3/36
R6	7030003640	S.RES ERJ3GEYJ 473 V (47 k)	T	155.7/31.7
R7	7030003640	S.RES ERJ3GEYJ 473 V (47 k)	T	148.2/11.7
R8	7030003560	S.RES ERJ3GEYJ 103 V (10 k)	T	150.1/24.2
R9	7030003590	S.RES ERJ3GEYJ 183 V (18 k)	T	147.3/24.2
R10	7030003590	S.RES ERJ3GEYJ 183 V (18 k)	T	148.7/20.2
R11	7030003640	S.RES ERJ3GEYJ 473 V (47 k)	T	148.2/14.1
R12	7030003640	S.RES ERJ3GEYJ 473 V (47 k)	T	148.2/12.9
R201	7030003350	S.RES ERJ3GEYJ 181 V (180)	T	110.5/34
R202	7030003350	S.RES ERJ3GEYJ 181 V (180)	T	99.4/34
R301	7030003320	S.RES ERJ3GEYJ 101 V (100)	T	90.3/39
R401	7030003360	S.RES ERJ3GEYJ 221 V (220)	T	122.8/8
R402	7030003360	S.RES ERJ3GEYJ 221 V (220)	T	122.8/6.5
R403	7030003360	S.RES ERJ3GEYJ 221 V (220)	T	122.8/9.5
R404	7030003360	S.RES ERJ3GEYJ 221 V (220)	T	122.8/11
R601	7030003860	S.RES ERJ3GE JPW V	T	70.2/36.5
R602	7030003860	S.RES ERJ3GE JPW V	T	68.1/36.5
C1	4030017490	S.CER C1608 JB 1A 105K-T	T	175.6/31
C2	4030017490	S.CER C1608 JB 1A 105K-T	T	172.3/31
C3	4030017490	S.CER C1608 JB 1A 105K-T	T	168.9/31
C4	4030017490	S.CER C1608 JB 1A 105K-T	T	178.7/26.1
C6	4030017490	S.CER C1608 JB 1A 105K-T	T	176.2/21.4
C7	4030011600	S.CER C1608 JB 1E 104K-T	T	155.8/24.6
C8	4030011600	S.CER C1608 JB 1E 104K-T	T	156/10
C301	4030011600	S.CER C1608 JB 1E 104K-T	T	87.7/37.9
C401	4030011600	S.CER C1608 JB 1E 104K-T	T	93.8/14.5
J1	6510023671	CNR TCS4480-0141577	T	216.8/18.2
J2	6510023720	CNR LGY6501-0600C	T	
J3	6510023120	CNR CD6109SA1J0 <CVI>	T	
J4	6510018961	S.CNR B2B-PH-SM4-TB (LF) (SN)	T	
J101	6450001941	CNR KEY-15S-2A3A (LF) (SN)	T	
J201	6510024040	CNR TM11R-5M2-88-LP	T	
J202	6510020251	S.CNR B9B-PH-SM4-TB (LF) (SN)	T	104.2/26
J301	6510025640	CNR JF3004-010010	T	
J401	6510021721	S.CNR 30FLT-SM2-TB (LF) (SN)	T	100.3/10.1
J501	6510025670	S.CNR 31-5620-050-719-871+	T	34.5/14.6
J502	6510024151	S.CNR 50FY-BMT-TB (LF) (SN)	T	34.5/4.3
J602	6510024031	CNR UBA-4R-D10T-1 (LF) (SN)	T	
J603	6510024521	S.CNR 12FLT-SM2-TB (LF) (SN)	T	54.3/6
DS201	5040002930	S.LED SML-512MW T86	T	110.5/36.2
DS202	5040002930	S.LED SML-512MW T86	T	99.4/36.2
EP1	6910012350	S.BEA MMZ1608Y 102BT	T	194.8/33.5
EP2	6910012350	S.BEA MMZ1608Y 102BT	T	192/33.5
EP3	0800009560	E.OTH SDCFJ-128-388	T	
EP607	6910012350	S.BEA MMZ1608Y 102BT	T	72.5/36.5
EP608	6910012350	S.BEA MMZ1608Y 102BT	T	73.8/36.5
EP609	6910012350	S.BEA MMZ1608Y 102BT	T	
EP610	6910012350	S.BEA MMZ1608Y 102BT	T	
EP611	6910012350	S.BEA MMZ1608Y 102BT	T	64.8/36.5
EP612	6910012350	S.BEA MMZ1608Y 102BT	T	66.1/36.5

[CONNECT-B UNIT]

REF NO.	ORDER NO.	DESCRIPTION	M.	H/V LOCATION
IC11	1110003091	IC LA4425A-E	T	
IC21	1110006300	S.IC NJM2172V-TE1-#ZZZB	T	182.1/6.3
IC41	1110005610	S.IC NJM2058V-TE1-#ZZZB	T	145.4/9.1
IC81	1110002810	S.IC NJM2070M-TE1-#ZZZB	T	115.9/8.3
IC91	1120002830	S.IC NJM2125F-TE1-#FZZB	T	123.4/14.4
IC121	1110005731	S.IC S-80928CNMC-G8Y-G	T	67.3/15.3
Q1	1590003520	S.TR BCR108T	B	204.4/19.6
Q11	1540000471	S.TR 2SD1801S-TL-E	B	209.1/15.6
Q21	1560001330	S.FET RSR025N03	B	194.6/19.2
Q22	1560001330	S.FET RSR025N03	B	151.5/8.5
Q91	1550000010	S.FET 2SJ364-Q (TX)	T	127.6/10.2
Q121	1590003520	S.TR BCR108T	T	69.9/21.9
Q151	1590003520	S.TR BCR108T	T	110.6/32.6
Q161	1590003570	S.TR BCR183T	T	114.3/34.9
Q162	1590003520	S.TR BCR108T	B	104.1/32
Q171	1530002060	S.TR 2SC4081 T106 R	B	116.6/22.4
Q181	1130009930	TR 2SB1274R	T	
Q182	1510000771	S.TR 2SA1586-GR (TE85R,F)	T	150.1/33.4
Q401	1590003520	S.TR BCR108T	T	100.2/31.5
Q501	1530002060	S.TR 2SC4081 T106 R	T	68.2/30.4
D1	1750000550	S.DIO 1SS355 TE-17	B	205.1/24.8
D91	1750000550	S.DIO 1SS355 TE-17	T	126.8/15
D111	1750000550	S.DIO 1SS355 TE-17	B	165.4/30.3
D112	1790000950	S.ZEN MA8056-M (TX)	B	162.3/31
D121	1750000550	S.DIO 1SS355 TE-17	T	73/20.2
D161	1160000070	S.DIO DAN202K T146	T	110.7/35.6
D171	1750000550	S.DIO 1SS355 TE-17	B	122.7/26.6
D401	1750000550	S.DIO 1SS355 TE-17	B	98.1/31.8
F1103	5210000041	FUS FGB 2A PBF (FGB0 125V)	T	
L21	6200003261	S.COL NLV32T-101J	T	177.5/14.3
L81	6200003261	S.COL NLV32T-101J	T	120.3/9
L111	6200003261	S.COL NLV32T-101J	T	170.9/29.9
L113	6200003261	S.COL NLV32T-101J	T	167.8/29.9
L114	6200003261	S.COL NLV32T-101J	T	176.3/29.9
L116	6200003261	S.COL NLV32T-101J	T	179.3/29.9
R2	7030003320	S.RES ERJ3GEYJ 101 V (100)	B	209.5/22.3
R11	7030003280	S.RES ERJ3GEYJ 470 V (47)	B	205/8.9
R12	7030003440	S.RES ERJ3GEYJ 102 V (1 k)	B	216/34.6
R13	7030004040	S.RES ERJ3GEYJ 4R7 V (4.7)	B	212.9/29.2
R14	7030003860	S.RES ERJ3GE JPW V	T	214.2/25.8
R15	7030003860	S.RES ERJ3GE JPW V	T	201.2/39.3
R21	7030003440	S.RES ERJ3GEYJ 102 V (1 k)	T	198.4/18.4
R22	7030003560	S.RES ERJ3GEYJ 103 V (10 k)	B	189.8/19
R23	7030003440	S.RES ERJ3GEYJ 102 V (1 k)	T	196/19.2
R24	7030003480	S.RES ERJ3GEYJ 222 V (2.2 k)	B	182.6/10.7
R25	7030003470	S.RES ERJ3GEYJ 182 V (1.8 k)	B	189.1/9.5
R26	7030003470	S.RES ERJ3GEYJ 182 V (1.8 k)	B	187.2/9.5
R27	7030003470	S.RES ERJ3GEYJ 182 V (1.8 k)	B	191.1/9.5
R28	7030003470	S.RES ERJ3GEYJ 182 V (1.8 k)	B	193.1/9.5
R29	7030003480	S.RES ERJ3GEYJ 222 V (2.2 k)	B	182.7/4.2
R30	7030003560	S.RES ERJ3GEYJ 103 V (10 k)	B	148.8/10.2
R31	7030003560	S.RES ERJ3GEYJ 103 V (10 k)	T	176/5.3
R32	7030003560	S.RES ERJ3GEYJ 103 V (10 k)	T	174.4/5.3
R33	7030003440	S.RES ERJ3GEYJ 102 V (1 k)	T	154.8/4.8
R34	7030003440	S.RES ERJ3GEYJ 102 V (1 k)	T	155.3/2.8
R35	7030003680	S.RES ERJ3GEYJ 104 V (100 k)	B	196.7/17.1
R36	7030003680	S.RES ERJ3GEYJ 104 V (100 k)	B	149.1/5.9
R41	7030003320	S.RES ERJ3GEYJ 101 V (100)	T	134.5/5.6
R42	7030003320	S.RES ERJ3GEYJ 101 V (100)	B	139.5/15.7
R43	7030003520	S.RES ERJ3GEYJ 472 V (4.7 k)	T	159.2/9.3
R44	7030003560	S.RES ERJ3GEYJ 103 V (10 k)	T	143.6/4.7
R45	7030003560	S.RES ERJ3GEYJ 103 V (10 k)	B	139.6/7.5
R46	7030003460	S.RES ERJ3GEYJ 152 V (1.5 k)	T	143.6/2.3
R47	7030003560	S.RES ERJ3GEYJ 103 V (10 k)	T	127.8/8.2
R51	7030003550	S.RES ERJ3GEYJ 822 V (8.2 k)	T	159.2/8
R52	7030003540	S.RES ERJ3GEYJ 682 V (6.8 k)	T	147.7/4.7
R53	7030003440	S.RES ERJ3GEYJ 102 V (1 k)	T	146.3/3.5
R54	7030003620	S.RES ERJ3GEYJ 333 V (33 k)	T	149/2.3
R55	7030003640	S.RES ERJ3GEYJ 473 V (47 k)	T	146.3/2.3
R61	7030003560	S.RES ERJ3GEYJ 103 V (10 k)	T	159.2/11.9
R62	7030003560	S.RES ERJ3GEYJ 103 V (10 k)	B	142.9/15.7
R63	7030003590	S.RES ERJ3GEYJ 183 V (18 k)	T	147.4/13.6
R64	7030003440	S.RES ERJ3GEYJ 102 V (1 k)	B	142.9/10.3
R65	7030003440	S.RES ERJ3GEYJ 102 V (1 k)	B	142.9/12.1
R71	7030003560	S.RES ERJ3GEYJ 103 V (10 k)	T	159.2/10.6
R72	7030003560	S.RES ERJ3GEYJ 103 V (10 k)	B	142.9/13.9
R73	7030003590	S.RES ERJ3GEYJ 183 V (18 k)	T	143.3/13.6
R74	7030003440	S.RES ERJ3GEYJ 102 V (1 k)	T	149.3/13.4
R81	7030004050	S.RES ERJ3GEYJ 1R0 V (1)	T	82.9/24.9
R82	7030003860	S.RES ERJ3GE JPW V	T	112.3/4.2
R83	7030003560	S.RES ERJ3GEYJ 103 V (10 k)	T	112.3/7.4
R84	7030003520	S.RES ERJ3GEYJ 472 V (4.7 k)	B	113.8/9.1
R85	7030003330	S.RES ERJ3GEYJ 121 V (120)	B	111.6/11
R86	7030003440	S.RES ERJ3GEYJ 102 V (1 k)	T	80.3/23.7
R91	7030003440	S.RES ERJ3GEYJ 102 V (1 k)	T	127.9/12.1
R93	7030003480	S.RES ERJ3GEYJ 222 V (2.2 k)	B	126.2/11.7
R94	7030003600	S.RES ERJ3GEYJ 223 V (22 k)	T	125.6/10.9
R95	7030003320	S.RES ERJ3GEYJ 101 V (100)	B	123.4/18.9
R96	7030003640	S.RES ERJ3GEYJ 473 V (47 k)	T	121.5/16.8
R97	7030003460	S.RES ERJ3GEYJ 152 V (1.5 k)	T	123.3/12.1
R98	7030003560	S.RES ERJ3GEYJ 103 V (10 k)	T	120.9/14.2
R99	7030003700	S.RES ERJ3GEYJ 154 V (150 k)	T	126.6/13.5
R111	7030003440	S.RES ERJ3GEYJ 102 V (1 k)	B	158.6/30
R121	7030003560	S.RES ERJ3GEYJ 103 V (10 k)	T	67.1/21.8

M.=Mounted side (T: Mounted on the Top side B: Mounted on the Bottom side)
S.=Surface mount

[CONNECT-B UNIT]

REF NO.	ORDER NO.	DESCRIPTION	M.	H/V LOCATION
R122	7030003600	S.RES ERJ3GEYJ 223 V (22 k)	T	68.1/18.8
R123	7030003560	S.RES ERJ3GEYJ 103 V (10 k)	T	66.6/20
R124	7030003340	S.RES ERJ3GEYJ 151 V (150)	T	70.3/18.8
R151	7030003560	S.RES ERJ3GEYJ 103 V (10 k)	T	113.5/32.6
R171	7030003620	S.RES ERJ3GEYJ 333 V (33 k)	B	119.6/24.8
R172	7030003580	S.RES ERJ3GEYJ 153 V (15 k)	B	119.6/23
R173	7030003510	S.RES ERJ3GEYJ 392 V (3.9 k)	B	119.6/26.6
R174	7030003520	S.RES ERJ3GEYJ 472 V (4.7 k)	B	114.8/24.8
R181	7030007160	S.RES ERJ12VJ3R3U (3.3)	B	145.2/38.7
R182	7030003560	S.RES ERJ3GEYJ 103 V (10 k)	T	147.6/32.6
R183	7030003500	S.RES ERJ3GEYJ 332 V (3.3 k)	T	145.8/32.6
R184	7030003340	S.RES ERJ3GEYJ 151 V (150)	B	147.8/38.7
R185	7030003560	S.RES ERJ3GEYJ 103 V (10 k)	B	153.1/34
R186	7030003520	S.RES ERJ3GEYJ 472 V (4.7 k)	B	153/41.7
R401	7030003320	S.RES ERJ3GEYJ 101 V (100)	B	98.8/35.2
R501	7030003520	S.RES ERJ3GEYJ 472 V (4.7 k)	T	68.1/35.2
R502	7030003320	S.RES ERJ3GEYJ 101 V (100)	T	68.2/27
R503	7030003360	S.RES ERJ3GEYJ 221 V (220)	T	68.2/33.8
R504	7030003640	S.RES ERJ3GEYJ 473 V (47 k)	T	68.2/28.4
R505	7030003440	S.RES ERJ3GEYJ 102 V (1 k)	B	84.8/3.2
C1	4030006880	S.CER C1608 JB 1H 472K-T	B	205.2/21.4
C2	4030006880	S.CER C1608 JB 1H 472K-T	B	205.2/23
C11	4510008300	ELE EUUFC1C471L		
C12	4030011600	S.CER C1608 JB 1E 104K-T	B	213.7/19.2
C13	4510008220	ELE 16 ME 2200 CA		
C14	4030011600	S.CER C1608 JB 1E 104K-T	B	215.5/29.2
C15	4030006870	S.CER C1608 JB 1H 222K-T	T	216.4/26.5
C16	4510008550	S.ELE EEE1HA010SR	T	205.5/19.2
C17	4510008510	S.ELE EEE1CA471P	T	192.7/9.1
C18	4510008500	S.ELE EEE1CA101WP	T	202.1/12.7
C21	4030008980	S.CER C2012 JB 1C 154K-T	B	197.3/19.5
C22	4030006900	S.CER C1608 JB 1H 103K-T	T	199.7/18.4
C23	4030011600	S.CER C1608 JB 1E 104K-T	B	191.8/19
C24	4030017490	S.CER C1608 JB 1A 105K-T	B	182.6/8.5
C25	4510008530	S.ELE EEE1HA2R2SR	T	191.1/19
C26	4510008540	S.ELE EEE1CA100SR	T	182.2/11.5
C27	4030017490	S.CER C1608 JB 1A 105K-T	B	182.6/6.2
C28	4510008540	S.ELE EEE1CA100SR	T	171/9.8
C29	4510008530	S.ELE EEE1HA2R2SR	T	159.3/4.8
C30	4510008540	S.ELE EEE1CA100SR	T	175.9/9.8
C31	4510008540	S.ELE EEE1CA100SR	T	165.4/4.8
C32	4510008540	S.ELE EEE1CA100SR	T	165.4/9.8
C33	4030011600	S.CER C1608 JB 1E 104K-T	B	151.4/11.6
C34	4030006900	S.CER C1608 JB 1H 103K-T	T	154.1/2.8
C35	4030008980	S.CER C2012 JB 1C 154K-T	B	152.1/5.8
C41	4510008540	S.ELE EEE1CA100SR	T	138/9.9
C42	4510008540	S.ELE EEE1CA100SR	T	138.8/13.8
C43	4030006860	S.CER C1608 JB 1H 102K-T	T	143.6/3.5
C44	4510009120	S.ELE EEE1VA2R2NR	T	138.9/4.2
C51	4030006870	S.CER C1608 JB 1H 222K-T	T	149/3.5
C61	4030007170	S.CER C1608 CH 1H 221J-T	T	147.4/14.9
C62	4510008540	S.ELE EEE1CA100SR	T	132.5/13.5
C63	4510008540	S.ELE EEE1CA100SR	T	132.5/8.7
C71	4030007170	S.CER C1608 CH 1H 221J-T	T	143.4/14.8
C72	4510008540	S.ELE EEE1CA100SR	T	152.9/13.8
C81	4510008500	S.ELE EEE1CA101WP	T	114.7/15.6
C82	4510008550	S.ELE EEE1HA010SR	T	125.8/5.2
C83	4030011600	S.CER C1608 JB 1E 104K-T	T	115.8/3.5
C84	4510008510	S.ELE EEE1CA471P	T	105.8/8.9
C85	4030011810	S.CER C1608 JB 1A 224K-T	T	80.3/24.9
C86	4510009010	S.ELE EEE1AA221P	T	95.7/9.9
C91	4030011600	S.CER C1608 JB 1E 104K-T	T	123/9.6
C92	4030011600	S.CER C1608 JB 1E 104K-T	T	124.1/16.8
C101	4030007130	S.CER C1608 CH 1H 101J-T	B	189.4/38.2
C111	4030006880	S.CER C1608 JB 1H 472K-T	B	171.3/29.8
C112	4030006880	S.CER C1608 JB 1H 472K-T	B	185.4/29.8
C113	4030006880	S.CER C1608 JB 1H 472K-T	B	168.3/29.8
C114	4030006880	S.CER C1608 JB 1H 472K-T	B	176.3/29.8
C115	4030006880	S.CER C1608 JB 1H 472K-T	B	182.4/29.7
C116	4030006880	S.CER C1608 JB 1H 472K-T	B	179.3/29.8
C117	4030011600	S.CER C1608 JB 1E 104K-T	B	160.8/30.7
C121	4030006900	S.CER C1608 JB 1H 103K-T	T	66.6/17.6
C122	4030017480	S.CER C1608 JB 1A 474K-T	T	66.7/12.7
C124	4030006900	S.CER C1608 JB 1H 103K-T	T	71.5/17.9
C125	4030006900	S.CER C1608 JB 1H 103K-T	T	71.5/20.5
C126	4030006900	S.CER C1608 JB 1H 103K-T	T	68.3/21.8
C171	4030006880	S.CER C1608 JB 1H 472K-T	B	116.5/19.6
C181	4030011600	S.CER C1608 JB 1E 104K-T	B	146/33.4
C182	4030011600	S.CER C1608 JB 1E 104K-T	B	153/37.7
C184	4030006880	S.CER C1608 JB 1H 472K-T	B	153/39.7
C301	4030006880	S.CER C1608 JB 1H 472K-T	B	108.3/40.3
C302	4030006880	S.CER C1608 JB 1H 472K-T	B	113.5/40.3
C401	4030006860	S.CER C1608 JB 1H 102K-T	B	96/32
C402	4030006860	S.CER C1608 JB 1H 102K-T	B	98.8/29.1
C501	4030006860	S.CER C1608 JB 1H 102K-T	T	68.2/36.5
C502	4030011600	S.CER C1608 JB 1E 104K-T	T	68.2/32.4
C503	4510008540	S.ELE EEE1CA100SR	T	72.4/33.3
C504	4510008540	S.ELE EEE1CA100SR	T	72.8/27.9
C505	4510008500	S.ELE EEE1CA101WP	T	62.2/32.4
C901	4030006860	S.CER C1608 JB 1H 102K-T	B	87.2/13.4
C902	4030006860	S.CER C1608 JB 1H 102K-T	B	85.2/13.4
C903	4030006860	S.CER C1608 JB 1H 102K-T	B	86.7/3.9
C904	4030006860	S.CER C1608 JB 1H 102K-T	B	81.2/13.4
C905	4030006860	S.CER C1608 JB 1H 102K-T	B	79.2/13.4
C906	4030006860	S.CER C1608 JB 1H 102K-T	B	77.2/13.4
C907	4030006860	S.CER C1608 JB 1H 102K-T	B	75.2/13.4
RL1	6330001790	RLY ATX203		
RL121	6330001721	RLY ATN207-K1		
RL401	6330001790	RLY ATX203		

[CONNECT-B UNIT]

REF NO.	ORDER NO.	DESCRIPTION	M.	H/V LOCATION
J1	6510023720	CNR LGY6501-0600C		
J101	6510024940	CNR HEC2305-016250		
J111	6510023671	CNR TCS4480-0141577		
J181	6510023720	CNR LGY6501-0600C		
J201	6510023750	CNR 01K1971-10		
J202	6510007020	CNR TMP-J01X-V6		
J301	6450001130	CNR JPJ2042-01-110		
J401	6510023720	CNR LGY6501-0600C		
J501	6510023720	CNR LGY6501-0600C		
J601	6450001130	CNR JPJ2042-01-110		
J602	6510018961	S.CNR B2B-PH-SM4-TB (LF) (SN)	T	46.8/15.6
J603	6510022191	S.CNR B3B-PH-SM4-TB (LF) (SN)	T	59/15.6
J701	6450001800	CNR JPJ1044-01-010		
J702	6510007020	CNR TMP-J01X-V6		
J801	6510023750	CNR 01K1971-10		
J802	6510007020	CNR TMP-J01X-V6		
J901	6510021721	S.CNR 30FLT-SM2-TB (LF) (SN)	T	109.7/24.9
J902	6510022801	S.CNR B10B-PH-SM4-TB (LF) (SN)	T	78.2/6
F101	5220000230	HOL S-N5054		
F102	5220000230	HOL S-N5054		
F103	5210000031	FUS FGB 1A PBF (FGB0 125V)		
EP11	6910014730	S.BEA MPZ2012S331A-T	T	204.2/41.5
EP12	6910014730	S.BEA MPZ2012S331A-T	T	216.2/41.6
EP101	6910014730	S.BEA MPZ2012S331A-T	B	186.5/43.3
EP102	6910014730	S.BEA MPZ2012S331A-T	T	194.7/33.9
EP112	6910014730	S.BEA MPZ2012S331A-T	T	185.5/29.7
EP115	6910014730	S.BEA MPZ2012S331A-T	T	182.4/29.8
EP116	6910014730	S.BEA MPZ2012S331A-T	B	175.3/42.1
EP181	6910015970	S.BEA MMZ1608B 301CT-AS	B	153.5/43.7
EP182	6910015970	S.BEA MMZ1608B 301CT-AS	B	153.4/45.2
EP301	6910014730	S.BEA MPZ2012S331A-T	T	116/37.8
EP302	6910014730	S.BEA MPZ2012S331A-T	T	105.8/37.8
EP303	6910014730	S.BEA MPZ2012S331A-T	B	113.3/47.9
EP304	6910014730	S.BEA MPZ2012S331A-T	B	98.4/47.9
EP401	6910014730	S.BEA MPZ2012S331A-T	B	84/40.7
EP402	6910014730	S.BEA MPZ2012S331A-T	B	92.1/39.9
EP501	6910015970	S.BEA MMZ1608B 301CT-AS	T	66.2/38
EP502	6910015970	S.BEA MMZ1608B 301CT-AS	B	78.1/44.6
EP601	6910014730	S.BEA MPZ2012S331A-T	B	38.9/47.8
EP901	6910014730	S.BEA MPZ2012S331A-T	T	75.2/13
EP902	6910014730	S.BEA MPZ2012S331A-T	T	77.2/13
EP903	6910014730	S.BEA MPZ2012S331A-T	T	79.2/13
EP904	6910014730	S.BEA MPZ2012S331A-T	T	81.2/13
EP905	6910014730	S.BEA MPZ2012S331A-T	T	85.2/13
EP906	6910014730	S.BEA MPZ2012S331A-T	T	87.2/13

M.=Mounted side (T: Mounted on the Top side B: Mounted on the Bottom side) S.=Surface mount

[REG UNIT]

REF NO.	ORDER NO.	DESCRIPTION	M.	H/V LOCATION
F1	5210000131	FUS FGB 4A PBF (FGB0 125V) [USA], [USA-1]		
	5210001030	FUS 0234002.MXP [EUR], [UK], [FRA], [EXP], [AUS]		
F2	5220000380	HOL F-400-01A1 [USA], [USA-1]		
	5220000390	HOL F-400-01A2 [EUR], [UK], [FRA], [EXP], [AUS]		
MF1	2710000810	FAN FD124010HB-1N7 (120)		
W1	8900015620	CBL OPC-1592		
W2	8900015680	CBL OPC-1598 [USA], [USA-1], [EXP]		
	8900015681	CBL OPC-1598A [EUR], [UK], [FRA], [AUS]		
W3	8900015690	CBL OPC-1600		
W4	8900015700	CBL OPC-1602		
EP1	6910016800	UBD PBA150F-15		
EP2	6910017300	E.OTH ZUG2206-11S		

[MEMORY BOARD]

REF NO.	ORDER NO.	DESCRIPTION	M.	H/V LOCATION
IC1	1130013480	S.IC JS28F128J3D-75	T	39.8/26.2
IC2	1130013480	S.IC JS28F128J3D-75	T	24/26.2
C1	4030011600	S.CER C1608 JB 1E 104K-T	T	41.8/38.8
C2	4030011600	S.CER C1608 JB 1E 104K-T	T	39.9/13.2
C3	4030011600	S.CER C1608 JB 1E 104K-T	T	36.8/13.2
C4	4030011600	S.CER C1608 JB 1E 104K-T	T	26/38.8
C5	4030011600	S.CER C1608 JB 1E 104K-T	T	24/13.2
C6	4030011600	S.CER C1608 JB 1E 104K-T	T	21/13.2
J1	6510024210	S.CNR AXK6S30435P	T	55/20
J2	6510024200	S.CNR AXK6S40435P	T	10/20

[VCO2 BOARD]

REF NO.	ORDER NO.	DESCRIPTION	M.	H/V LOCATION
Q4100	1530003550	S.TR 2SC5193-T1	T	15.7/5
Q4101	1530003550	S.TR 2SC5193-T1	T	18.7/6.2
Q4102	1590003520	S.TR BCR108T	T	3.8/3.6
Q4104	1590003570	S.TR BCR183T	T	9/3.6
Q4105	1590003520	S.TR BCR108T	T	6.4/3.6
Q4200	1530003550	S.TR 2SC5193-T1	T	18.3/14
Q4201	1560000491	S.FET 2SK508-T2B-A K52	T	22.7/12.8
Q4202	1590003520	S.TR BCR108T	T	3.8/8.1
Q4204	1590003570	S.TR BCR183T	T	9/8.1
Q4205	1590003520	S.TR BCR108T	T	6.4/8.2
Q4300	1530003550	S.TR 2SC5193-T1	T	19/23
Q4301	1560000491	S.FET 2SK508-T2B-A K52	T	23.4/21.1
Q4302	1590003520	S.TR BCR108T	T	3.8/12.7
Q4304	1590003570	S.TR BCR183T	T	9/12.7
Q4305	1590003520	S.TR BCR108T	T	6.4/12.8
Q4400	1530003431	S.TR 2SC5226-4-TL-E	T	10.6/21.5
D4100	1720000261	S.VCP 1SV214 (TPH2,F)	T	24.2/7.3
D4101	1720000801	S.VCP 1SV290 (TPH3,F)	T	25.9/7.4
D4103	1750000581	S.DIO 1SV307 (TPH3,F)	T	14.2/17.2
D4200	1750000721	S.VCP HVC375BTRF-E	T	25.6/12
D4201	1720000261	S.VCP 1SV214 (TPH2,F)	T	28.3/11.6
D4203	1750000581	S.DIO 1SV307 (TPH3,F)	T	15.9/17.2
D4300	1750000721	S.VCP HVC375BTRF-E	T	26.5/19.8
D4301	1720000261	S.VCP 1SV214 (TPH2,F)	T	29.5/19.4
D4304	1750000581	S.DIO 1SV307 (TPH3,F)	T	15.7/20.5
L4100	6200010780	S.COL C2520C-1R0G-A	B	26.6/5.4
L4101	6200010780	S.COL C2520C-1R0G-A	T	28.7/4.1
L4102	6200005711	S.COL ELJRE 27NGFA	T	22.2/6.1
L4104	6200010780	S.COL C2520C-1R0G-A	B	21.2/5.9
L4105	6200010780	S.COL C2520C-1R0G-A	B	13.5/7.9
L4200	6200010780	S.COL C2520C-1R0G-A	B	28.4/15.1
L4201	6200010780	S.COL C2520C-1R0G-A	T	31.9/13.4
L4202	6200009220	S.COL LQW18AN15NG00D	T	25/15.5
L4203	6200010780	S.COL C2520C-1R0G-A	B	23.5/13.8
L4204	6200010780	S.COL C2520C-1R0G-A	B	19.1/14.6
L4205	6200010780	S.COL C2520C-1R0G-A	T	28.4/16.2
L4300	6200010780	S.COL C2520C-1R0G-A	B	28.9/22.8
L4301	6200010780	S.COL C2520C-1R0G-A	T	32.8/21.1
L4302	6200009220	S.COL LQW18AN15NG00D	T	25.9/23.4
L4303	6200010780	S.COL C2520C-1R0G-A	B	24.2/22.2
L4304	6200010780	S.COL C2520C-1R0G-A	B	19.2/23.1
L4305	6200010780	S.COL C2520C-1R0G-A	T	29.4/24.1
L4401	6200003331	S.COL NLV32T-1R0J	B	9.2/16.9
R4100	7030003440	S.RES ERJ3GEYJ 102 V (1 k)	B	31.9/5.4
R4101	7030003440	S.RES ERJ3GEYJ 102 V (1 k)	T	30.7/6.4
R4102	7030003490	S.RES ERJ3GEYJ 272 V (2.7 k)	T	18.9/3.1
R4103	7030003490	S.RES ERJ3GEYJ 272 V (2.7 k)	T	21.5/3.1
R4104	7030003490	S.RES ERJ3GEYJ 272 V (2.7 k)	T	15.9/3.1
R4105	7030003360	S.RES ERJ3GEYJ 221 V (220)	B	18.6/4.3
R4106	7030003200	S.RES ERJ3GEYJ 100 V (10)	B	10.5/6
R4108	7030003440	S.RES ERJ3GEYJ 102 V (1 k)	T	13.2/7
R4109	7030003860	S.RES ERJ3GE JPW V	B	30/4.6
R4110	7030003860	S.RES ERJ3GE JPW V	T	14.2/10.3
R4111	7030003440	S.RES ERJ3GEYJ 102 V (1 k)	T	2.6/18
R4200	7030003440	S.RES ERJ3GEYJ 102 V (1 k)	B	33.4/13.6
R4201	7030003440	S.RES ERJ3GEYJ 102 V (1 k)	T	35.6/13.4
R4202	7030003510	S.RES ERJ3GEYJ 392 V (3.9 k)	T	20.2/14.1
R4203	7030003460	S.RES ERJ3GEYJ 152 V (1.5 k)	T	18.9/17.1
R4204	7030003320	S.RES ERJ3GEYJ 101 V (100)	T	17/11.8
R4205	7030003380	S.RES ERJ3GEYJ 331 V (330)	B	25.3/11
R4206	7030003400	S.RES ERJ3GEYJ 471 V (470)	B	13.2/14.6
R4208	7030003440	S.RES ERJ3GEYJ 102 V (1 k)	B	15.2/14.4
R4209	7030003440	S.RES ERJ3GEYJ 102 V (1 k)	B	31.4/15.2
R4210	7030003860	S.RES ERJ3GE JPW V	B	16.6/12.1
R4211	7030003440	S.RES ERJ3GEYJ 102 V (1 k)	T	2.6/16.5
R4300	7030003440	S.RES ERJ3GEYJ 102 V (1 k)	B	33.8/21.4
R4301	7030003440	S.RES ERJ3GEYJ 102 V (1 k)	T	35.6/23
R4302	7030003510	S.RES ERJ3GEYJ 392 V (3.9 k)	T	20.9/22.8
R4303	7030003460	S.RES ERJ3GEYJ 152 V (1.5 k)	T	19.6/25.7
R4304	7030003320	S.RES ERJ3GEYJ 101 V (100)	T	17.3/20.5
R4305	7030003380	S.RES ERJ3GEYJ 331 V (330)	B	24.9/18.8
R4306	7030003400	S.RES ERJ3GEYJ 471 V (470)	B	11.8/24.6
R4308	7030003440	S.RES ERJ3GEYJ 102 V (1 k)	B	14.2/22.1
R4309	7030003440	S.RES ERJ3GEYJ 102 V (1 k)	B	30/20.5
R4310	7030003320	S.RES ERJ3GEYJ 101 V (100)	B	16.4/20.4
R4311	7030003440	S.RES ERJ3GEYJ 102 V (1 k)	T	2.6/15
R4400	7030003510	S.RES ERJ3GEYJ 392 V (3.9 k)	T	12.7/22.6
R4401	7030003480	S.RES ERJ3GEYJ 222 V (2.2 k)	T	11.3/19.4
R4402	7030003360	S.RES ERJ3GEYJ 221 V (220)	T	11/24.7
R4406	7030003440	S.RES ERJ3GEYJ 102 V (1 k)	T	14.2/22.6
R4407	7030003320	S.RES ERJ3GEYJ 101 V (100)	T	7.9/22.5
R4408	7030003300	S.RES ERJ3GEYJ 680 V (68)	T	7.9/21
R4409	7030003320	S.RES ERJ3GEYJ 101 V (100)	T	2.9/21.7
C4102	4550007480	S.TAN F930J106MAABMA	B	30.2/8
C4104	4030007040	S.CER C1608 CH 1H 180J-T	T	24.2/3.8
C4105	4030006990	S.CER C1608 CH 1H 080D-T	T	25.9/3.8
C4107	4030007010	S.CER C1608 CH 1H 100D-T	T	21.5/4.3
C4108	4030007030	S.CER C1608 CH 1H 150J-T	T	20.7/6.1
C4109	4030009500	S.CER C1608 CH 1H 0R5B-T	T	18.9/4.3
C4110	4030007030	S.CER C1608 CH 1H 150J-T	T	21.2/8
C4111	4030006860	S.CER C1608 JB 1H 102K-T	T	16.6/7.5
C4112	4030009540	S.CER C1608 CH 1H 1R5B-T	T	14.8/7.7
C4113	4030007090	S.CER C1608 CH 1H 470J-T	B	10.9/7.9
C4114	4030011600	S.CER C1608 JB 1E 104K-T	B	8.3/7.9
C4115	4030017810	S.CER C1608 CH 1H 102J-T	B	9.7/7.9
C4116	4030017810	S.CER C1608 CH 1H 102J-T	B	16.7/5.1

M.=Mounted side (T: Mounted on the Top side B: Mounted on the Bottom side)
S.=Surface mount

[VCO2 BOARD]

REF NO.	ORDER NO.	DESCRIPTION	M.	H/V LOCATION
C4117	4030017810	S.CER C1608 CH 1H 102J-T	T	1.8/3.5
C4118	4030017810	S.CER C1608 CH 1H 102J-T	T	6.5/1.6
C4119	4030017810	S.CER C1608 CH 1H 102J-T	T	13.2/3.9
C4120	4030007090	S.CER C1608 CH 1H 470J-T	B	18/6.2
C4121	4030011600	S.CER C1608 JB 1E 104K-T	B	14.6/4.3
C4201	4550007480	S.TAN F930J106MAABMA	B	33.2/17.5
C4204	4030006990	S.CER C1608 CH 1H 080B-T	T	25.7/14
C4205	4030011770	S.CER C1608 CH 1H 060B-T	T	28.4/14
C4208	4030009530	S.CER C1608 CH 1H 030B-T	T	22.4/15.2
C4209	4030009500	S.CER C1608 CH 1H 0R5B-T	T	20.9/16.4
C4210	4030009520	S.CER C1608 CH 1H 020B-T	T	23.6/10.5
C4211	4030006860	S.CER C1608 JB 1H 102K-T	T	20.4/11.1
C4212	4030009540	S.CER C1608 CH 1H 1R5B-T	T	15.8/13.3
C4213	4030007090	S.CER C1608 CH 1H 470J-T	B	15.6/17.2
C4214	4030011600	S.CER C1608 JB 1E 104K-T	B	13.2/17.2
C4215	4030017810	S.CER C1608 CH 1H 102J-T	B	22.9/9.5
C4216	4030017810	S.CER C1608 CH 1H 102J-T	B	14.4/17.2
C4217	4030017810	S.CER C1608 CH 1H 102J-T	T	6.5/6.2
C4218	4030017810	S.CER C1608 CH 1H 102J-T	T	1.8/8
C4219	4030017810	S.CER C1608 CH 1H 102J-T	B	14.2/11.9
C4220	4030007090	S.CER C1608 CH 1H 470J-T	B	24.1/9.5
C4221	4030011600	S.CER C1608 JB 1E 104K-T	B	21/10.2
C4222	4030017810	S.CER C1608 CH 1H 102J-T	T	18.3/10.5
C4303	4550007480	S.TAN F930J106MAABMA	B	32.1/22.6
C4304	4030009530	S.CER C1608 CH 1H 030B-T	T	26.8/21.9
C4305	4030009530	S.CER C1608 CH 1H 030B-T	T	29.4/21.9
C4308	4030009540	S.CER C1608 CH 1H 1R5B-T	T	23.1/23.4
C4309	4030009500	S.CER C1608 CH 1H 0R5B-T	T	21.6/24.7
C4310	4030009510	S.CER C1608 CH 1H 010B-T	T	24.6/18.7
C4311	4030006860	S.CER C1608 JB 1H 102K-T	T	21.1/19.4
C4312	4030009530	S.CER C1608 CH 1H 030B-T	T	16.5/23.3
C4313	4030007090	S.CER C1608 CH 1H 470J-T	B	16.3/24.5
C4314	4030011600	S.CER C1608 JB 1E 104K-T	B	13.9/24.5
C4315	4030017810	S.CER C1608 CH 1H 102J-T	B	15.1/24.5
C4316	4030017810	S.CER C1608 CH 1H 102J-T	B	22.5/18.3
C4317	4030017810	S.CER C1608 CH 1H 102J-T	T	1.8/12.6
C4318	4030017810	S.CER C1608 CH 1H 102J-T	T	6.5/10.8
C4319	4030017810	S.CER C1608 CH 1H 102J-T	B	13.5/20.3
C4320	4030007090	S.CER C1608 CH 1H 470J-T	B	23.7/18.3
C4321	4030011600	S.CER C1608 JB 1E 104K-T	B	21.3/18.3
C4322	4030017810	S.CER C1608 CH 1H 102J-T	T	19/20.2
C4400	4030006860	S.CER C1608 JB 1H 102K-T	B	6.4/12.8
C4401	4030017810	S.CER C1608 CH 1H 102J-T	T	8.1/18.7
C4405	4030017810	S.CER C1608 CH 1H 102J-T	T	9.1/23.7
C4407	4030006860	S.CER C1608 JB 1H 102K-T	T	13.5/20.7
C4409	4030007090	S.CER C1608 CH 1H 470J-T	T	9.3/18.7
C4410	4030011600	S.CER C1608 JB 1E 104K-T	T	10.6/16.9
J4101	6910003841	CNR IMSA-9230B-1-05Z003-PT1		
J4102	6910003861	CNR IMSA-9230B-1-07Z003-PT1		

[DOUBLER BOARD]

REF NO.	ORDER NO.	DESCRIPTION	M.	H/V LOCATION
Q2200	1530003781	S.TR 2SC5624VH-TL-E	T	29.8/16.7
Q2201	1530003781	S.TR 2SC5624VH-TL-E	T	32.3/16.6
D3000	1790001621	S.DIO 1SV308 (TPL3,F)	T	26.9/15.2
D3001	1790001621	S.DIO 1SV308 (TPL3,F)	T	25.2/16.4
D3002	1790001621	S.DIO 1SV308 (TPL3,F)	T	7.3/6.7
D3003	1790001621	S.DIO 1SV308 (TPL3,F)	T	8.1/8.4
D3004	1790001621	S.DIO 1SV308 (TPL3,F)	T	25.8/19.4
D3005	1790001621	S.DIO 1SV308 (TPL3,F)	T	8.1/9.8
D3006	1790001621	S.DIO 1SV308 (TPL3,F)	T	25.1/20.8
D3007	1790001621	S.DIO 1SV308 (TPL3,F)	T	7.3/11.7
D3008	1790001621	S.DIO 1SV308 (TPL3,F)	T	26.9/10.6
D3009	1790001621	S.DIO 1SV308 (TPL3,F)	T	9/5.9
D3010	1790001621	S.DIO 1SV308 (TPL3,F)	T	24.4/13.7
D3011	1790001621	S.DIO 1SV308 (TPL3,F)	T	10.1/9.2
D3012	1790001621	S.DIO 1SV308 (TPL3,F)	T	24.1/18.6
D3013	1790001621	S.DIO 1SV308 (TPL3,F)	T	8.9/12.7
D3014	1790001621	S.DIO 1SV308 (TPL3,F)	T	23.3/21.6
D3015	1790001621	S.DIO 1SV308 (TPL3,F)	T	7.3/14.3
L2200	6200010450	S.COL C2520C-R82G-A (0.82U)	T	35.2/15.8
L2201	6140002551	S.COL #617DB-1919=P3	T	30.8/11.9
L2202	6200011460	S.COL C2520C-10NG-A	T	4.9/20.9
L3000	6200006771	S.COL ELJRE 1N5ZFA	T	22.6/23.4
L3001	6200006781	S.COL ELJRE 1N8ZFA	T	19.4/22.5
L3002	6200005631	S.COL ELJRE 5N6ZFA	T	17.1/25.1
L3003	6200006981	S.COL ELJRE R10GFA	B	16.5/20.7
L3004	6200005611	S.COL ELJRE 3N9ZFA	T	9.2/25.9
L3050	6200006781	S.COL ELJRE 1N8ZFA	T	20.7/19
L3051	6200005591	S.COL ELJRE 2N7ZFA	T	17.5/18.2
L3052	6200005621	S.COL ELJRE 4N7ZFA	T	15.2/15.6
L3053	6200006981	S.COL ELJRE R10GFA	B	17.8/16.6
L3054	6200005611	S.COL ELJRE 3N9ZFA	T	13.4/14.9
L3100	6200005611	S.COL ELJRE 3N9ZFA	T	23.6/10
L3101	6200005601	S.COL ELJRE 3N3ZFA	T	20.6/12.1
L3102	6200005621	S.COL ELJRE 4N7ZFA	T	15.4/9.2
L3103	6200006981	S.COL ELJRE R10GFA	B	16.6/13.8
L3104	6200005621	S.COL ELJRE 4N7ZFA	T	12.2/9.5
L3150	6200005591	S.COL ELJRE 2N7ZFA	T	23.6/7.2
L3151	6200005621	S.COL ELJRE 4N7ZFA	T	20.5/5.9
L3152	6200005641	S.COL ELJRE 6N8ZFA	T	15/3.2
L3153	6200006981	S.COL ELJRE R10GFA	B	17.2/6.7
L3154	6200005641	S.COL ELJRE 6N8ZFA	T	12.1/3.6
R2202	7030003200	S.RES ERJ3GEYJ 100 V (10)	B	34.2/15
R2203	7030003400	S.RES ERJ3GEYJ 471 V (470)	B	31.5/12.1
R2204	7030003480	S.RES ERJ3GEYJ 222 V (2.2 k)	B	28.9/12.1
R2205	7030003400	S.RES ERJ3GEYJ 471 V (470)	T	29.1/19.3
R2206	7030003340	S.RES ERJ3GEYJ 151 V (150)	T	31/19
R2207	7030003270	S.RES ERJ3GEYJ 390 V (39)	T	32.8/19.7
R2208	7030003340	S.RES ERJ3GEYJ 151 V (150)	T	31/20.2
R2213	7030003860	S.RES ERJ3GE JPW V	T	31.1/21.4
R2216	7030000010	S.RES MCR10EZHZ JPW (000)	B	8.5/24.7
R2217	7030008240	S.RES ERJ12Y0R00U	B	13.3/24.8
R2218	7030008240	S.RES ERJ12Y0R00U	B	27/24.8
R2220	7030000010	S.RES MCR10EZHZ JPW (000)	B	35.6/22
R2221	7030000010	S.RES MCR10EZHZ JPW (000)	B	35.6/18.1
R3000	7030003440	S.RES ERJ3GEYJ 102 V (1 k)	T	26.6/23
R3001	7030003440	S.RES ERJ3GEYJ 102 V (1 k)	B	22.5/21.9
R3002	7030003440	S.RES ERJ3GEYJ 102 V (1 k)	B	11.5/20
R3003	7030000010	S.RES MCR10EZHZ JPW (000)	B	8.5/20
R3004	7030000010	S.RES MCR10EZHZ JPW (000)	B	14.2/20.2
R3005	7030000010	S.RES MCR10EZHZ JPW (000)	B	18.7/20.6
R3050	7030003440	S.RES ERJ3GEYJ 102 V (1 k)	B	23.4/17.4
R3051	7030003440	S.RES ERJ3GEYJ 102 V (1 k)	B	10.2/16.5
R3052	7030000010	S.RES MCR10EZHZ JPW (000)	B	8/17
R3053	7030000010	S.RES MCR10EZHZ JPW (000)	B	15.6/16.6
R3054	7030000010	S.RES MCR10EZHZ JPW (000)	B	21.1/16.6
R3100	7030003440	S.RES ERJ3GEYJ 102 V (1 k)	B	24.1/13.7
R3101	7030003440	S.RES ERJ3GEYJ 102 V (1 k)	B	10.9/12.2
R3102	7030000010	S.RES MCR10EZHZ JPW (000)	B	8.6/12.9
R3103	7030000010	S.RES MCR10EZHZ JPW (000)	B	13.7/13.8
R3104	7030000010	S.RES MCR10EZHZ JPW (000)	B	19.3/13.4
R3150	7030003440	S.RES ERJ3GEYJ 102 V (1 k)	B	23.5/6.9
R3151	7030003440	S.RES ERJ3GEYJ 102 V (1 k)	B	10.4/6
R3153	7030000010	S.RES MCR10EZHZ JPW (000)	B	8.2/6.8
R3154	7030000010	S.RES MCR10EZHZ JPW (000)	B	20/6.7
R3155	7030000010	S.RES MCR10EZHZ JPW (000)	B	14.5/6.7
C2201	4030017810	S.CER C1608 CH 1H 102J-T	B	31.2/10.9
C2202	4030017810	S.CER C1608 CH 1H 102J-T	T	32.3/7.2
C2203	4030017810	S.CER C1608 CH 1H 102J-T	T	29.3/7.2
C2204	4030017810	S.CER C1608 CH 1H 102J-T	T	34.7/18.8
C2205	4030017810	S.CER C1608 CH 1H 102J-T	T	28.5/21.3
C2211	4030007090	S.CER C1608 CH 1H 470J-T	T	30.5/7.2
C2212	4030007090	S.CER C1608 CH 1H 470J-T	B	31.2/9.6
C3000	4030009500	S.CER C1608 CH 1H 0R5B-T	T	23.3/25.2
C3002	4030017810	S.CER C1608 CH 1H 102J-T	B	20.2/21.4
C3003	4030009510	S.CER C1608 CH 1H 010B-T	T	21.8/25.3
C3004	4030009570	S.CER C1608 CH 1H 0R3B-T	T	20.6/22.5
C3005	4030009560	S.CER C1608 CH 1H 0R5B-T	T	20.6/25.1
C3006	4030009510	S.CER C1608 CH 1H 010B-T	T	18.2/22.5
C3007	4030009510	S.CER C1608 CH 1H 010B-T	T	15.8/22.5
C3008	4030009570	S.CER C1608 CH 1H 0R3B-T	T	14.6/22.5
C3009	4030017810	S.CER C1608 CH 1H 102J-T	B	10.7/21.9
C3010	4030009530	S.CER C1608 CH 1H 030B-T	T	11/25.1
C3018	4030009570	S.CER C1608 CH 1H 0R3B-T	T	13.4/22.6
C3020	4030009560	S.CER C1608 CH 1H 0R5B-T	T	12.2/22.5
C3050	4030009540	S.CER C1608 CH 1H 1R5B-T	T	22.5/17
C3051	4030009510	S.CER C1608 CH 1H 010B-T	T	20.7/17.8

M.=Mounted side (T: Mounted on the Top side B: Mounted on the Bottom side)
S.=Surface mount

[DOUBLER BOARD]

REF NO.	ORDER NO.	DESCRIPTION	M.	H/V LOCATION
C3052	4030017810	S.CER C1608 CH 1H 102J-T	B	25.3/16.6
C3053	4030009540	S.CER C1608 CH 1H 1R5B-T	T	19.9/15.9
C3054	4030009570	S.CER C1608 CH 1H 0R3B-T	T	18.7/18.2
C3055	4030009540	S.CER C1608 CH 1H 1R5B-T	T	18.7/15.6
C3056	4030009510	S.CER C1608 CH 1H 010B-T	T	16.3/18.2
C3057	4030009530	S.CER C1608 CH 1H 030B-T	T	15.1/18.2
C3058	4030009560	S.CER C1608 CH 1H R75B-T	T	13.9/18.2
C3059	4030017810	S.CER C1608 CH 1H 102J-T	B	11.4/16.5
C3060	4030009910	S.CER C1608 CH 1H 040B-T	T	11.5/16.7
C3061	4030009510	S.CER C1608 CH 1H 010B-T	T	10.3/16.7
C3064	4030009510	S.CER C1608 CH 1H 010B-T	T	21.1/15.9
C3069	4030009910	S.CER C1608 CH 1H 040B-T	T	12.7/16.7
C3100	4030009540	S.CER C1608 CH 1H 1R5B-T	T	23.6/8.7
C3101	4030009560	S.CER C1608 CH 1H R75B-T	T	23.6/11.2
C3102	4030017810	S.CER C1608 CH 1H 102J-T	B	22.2/12.6
C3103	4030009550	S.CER C1608 CH 1H 2R5B-T	T	21.8/9.5
C3104	4030009510	S.CER C1608 CH 1H 010B-T	T	21.8/12.1
C3105	4030009520	S.CER C1608 CH 1H 020B-T	T	19.3/9.8
C3106	4030009520	S.CER C1608 CH 1H 020B-T	T	18.6/11.7
C3107	4030009910	S.CER C1608 CH 1H 040B-T	T	16.7/9.8
C3108	4030009510	S.CER C1608 CH 1H 010B-T	T	16/11.7
C3109	4030017810	S.CER C1608 CH 1H 102J-T	B	12.2/12.2
C3110	4030009920	S.CER C1608 CH 1H 050B-T	T	14.1/10.6
C3111	4030009540	S.CER C1608 CH 1H 1R5B-T	T	11.7/11.4
C3112	4030009350	S.CER C1608 CH 1H 3R5B-T	T	17.9/9.8
C3150	4030009520	S.CER C1608 CH 1H 020B-T	T	26.6/6.5
C3151	4030009540	S.CER C1608 CH 1H 1R5B-T	T	23.6/6
C3152	4030017810	S.CER C1608 CH 1H 102J-T	B	21.6/6.1
C3153	4030009530	S.CER C1608 CH 1H 030B-T	T	20.5/3.3
C3154	4030009500	S.CER C1608 CH 1H 0R5B-T	T	21.7/5.9
C3155	4030009520	S.CER C1608 CH 1H 020B-T	T	19.3/3.5
C3156	4030009550	S.CER C1608 CH 1H 2R5B-T	T	18.5/6.6
C3158	4030009500	S.CER C1608 CH 1H 0R5B-T	T	15.9/6.6
C3159	4030017810	S.CER C1608 CH 1H 102J-T	B	11.6/6
C3160	4030007010	S.CER C1608 CH 1H 100D-T	T	12.9/5.8
C3161	4030009540	S.CER C1608 CH 1H 1R5B-T	T	11.1/5.9
C3162	4030009910	S.CER C1608 CH 1H 040B-T	T	16.7/3.2
C3163	4030009500	S.CER C1608 CH 1H 0R5B-T	T	15.9/5.4
C3164	4030009500	S.CER C1608 CH 1H 0R5B-T	T	24.3/4.1
J2201	6910003821	CNR IMSA-9230B-1-03Z003-PT1		
J2202	6910003871	CNR IMSA-9230B-1-08Z003-PT1		

[FIL1 BOARD]

REF NO.	ORDER NO.	DESCRIPTION	M.	H/V LOCATION
D2751	1750000581	S.DIO 1SV307 (TPH3,F)	T	7.9/8.8
D2800	1750000581	S.DIO 1SV307 (TPH3,F)	T	21.9/7.9
D2850	1750000581	S.DIO 1SV307 (TPH3,F)	T	20.9/10.4
D2851	1750000581	S.DIO 1SV307 (TPH3,F)	T	21.9/12.8
D2852	1750000581	S.DIO 1SV307 (TPH3,F)	T	8.9/11.2
D2853	1750000581	S.DIO 1SV307 (TPH3,F)	T	7.9/13.8
L2800	6200005621	S.COL ELJRE 4N2ZFA	T	18.7/9
L2801	6200005641	S.COL ELJRE 6N8ZFA	T	15.4/1.6
L2802	6200005681	S.COL ELJRE 15NGFA	T	13.1/3.8
L2803	6200006981	S.COL ELJRE R10GFA	B	15.7/4.7
L2804	6200005661	S.COL ELJRE 10NGFA	T	7.3/3.1
L2850	6200005621	S.COL ELJRE 4N2ZFA	T	18.8/7
L2851	6200005631	S.COL ELJRE 5N6ZFA	T	15.5/7.7
L2852	6200005671	S.COL ELJRE 12NGFA	T	14.6/9.8
L2853	6200006981	S.COL ELJRE R10GFA	B	16.1/9.3
L2854	6200005651	S.COL ELJRE 8N2ZFA	T	12.6/10.6
L2900	6200005621	S.COL ELJRE 4N2ZFA	T	18.8/13.1
L2901	6200005631	S.COL ELJRE 5N6ZFA	T	15.4/13.8
L2902	6200005671	S.COL ELJRE 12NGFA	T	13.5/15.8
L2903	6200006981	S.COL ELJRE R10GFA	B	15.1/13.3
L2904	6200005651	S.COL ELJRE 8N2ZFA	T	11.6/16.5
R2150	7030003860	S.RES ERJ3GE JPW V	T	26.2/11.5
R2152	7030003860	S.RES ERJ3GE JPW V	T	25.4/9.6
R2800	7030003440	S.RES ERJ3GEYJ 102 V (1 k)	B	21.2/4.7
R2801	7030003440	S.RES ERJ3GEYJ 102 V (1 k)	B	10.5/4.7
R2851	7030003440	S.RES ERJ3GEYJ 102 V (1 k)	B	18.7/8.2
R2852	7030003440	S.RES ERJ3GEYJ 102 V (1 k)	B	11.8/10.1
R2900	7030003440	S.RES ERJ3GEYJ 102 V (1 k)	B	18.9/13.3
R2901	7030003440	S.RES ERJ3GEYJ 102 V (1 k)	B	10.7/14.8
C2800	4030009520	S.CER C1608 CH 1H 020B-T	B	22.9/6.6
C2801	4030009530	S.CER C1608 CH 1H 030B-T	T	18.7/2.2
C2802	4030017810	S.CER C1608 CH 1H 102J-T	B	18.5/4.7
C2803	4030009350	S.CER C1608 CH 1H 3R5B-T	T	18/4.2
C2804	4030009510	S.CER C1608 CH 1H 010B-T	T	16.7/1.6
C2805	4030009550	S.CER C1608 CH 1H 2R5B-T	T	15.4/4.2
C2806	4030009910	S.CER C1608 CH 1H 040B-T	T	14/1.6
C2807	4030009910	S.CER C1608 CH 1H 040B-T	T	12.7/1.6
C2808	4030009520	S.CER C1608 CH 1H 020B-T	T	11.4/1.6
C2809	4030017810	S.CER C1608 CH 1H 102J-T	B	13.1/4.7
C2810	4030007030	S.CER C1608 CH 1H 150J-T	T	9.3/2.4
C2811	4030009530	S.CER C1608 CH 1H 030B-T	T	9.9/3.7
C2850	4030009520	S.CER C1608 CH 1H 020B-T	B	21.3/9.4
C2851	4030009520	S.CER C1608 CH 1H 020B-T	T	18.8/8.2
C2852	4030017810	S.CER C1608 CH 1H 102J-T	B	18/10.1
C2853	4030009910	S.CER C1608 CH 1H 040B-T	T	18/10.3
C2854	4030009510	S.CER C1608 CH 1H 010B-T	T	16.8/7.7
C2855	4030009530	S.CER C1608 CH 1H 030B-T	T	16.8/10.3
C2856	4030009530	S.CER C1608 CH 1H 030B-T	T	13.4/7
C2857	4030009350	S.CER C1608 CH 1H 3R5B-T	T	13.4/8.6
C2858	4030009540	S.CER C1608 CH 1H 1R5B-T	T	10.8/7
C2859	4030017810	S.CER C1608 CH 1H 102J-T	B	14.2/10.1
C2860	4030007020	S.CER C1608 CH 1H 120J-T	T	11.4/8.9
C2861	4030009550	S.CER C1608 CH 1H 2R5B-T	T	10.1/8.9
C2900	4030009540	S.CER C1608 CH 1H 1R5B-T	B	21.5/13.3
C2901	4030009540	S.CER C1608 CH 1H 1R5B-T	T	18.8/14.4
C2902	4030017810	S.CER C1608 CH 1H 102J-T	B	17.1/14
C2903	4030009550	S.CER C1608 CH 1H 2R5B-T	T	18.1/16.5
C2904	4030009510	S.CER C1608 CH 1H 010B-T	T	16.7/13.8
C2905	4030009540	S.CER C1608 CH 1H 1R5B-T	T	15.4/16.4
C2906	4030009520	S.CER C1608 CH 1H 020B-T	T	14.2/13.8
C2907	4030009350	S.CER C1608 CH 1H 3R5B-T	T	12.8/13.8
C2908	4030009540	S.CER C1608 CH 1H 1R5B-T	T	10.9/13.1
C2909	4030017810	S.CER C1608 CH 1H 102J-T	B	13/14
C2910	4030007010	S.CER C1608 CH 1H 100D-T	T	10.9/14.6
C2911	4030009550	S.CER C1608 CH 1H 2R5B-T	T	9.4/16
J2101	6910003821	CNR IMSA-9230B-1-03Z003-PT1		
J2102	6910003851	CNR IMSA-9230B-1-06Z003-PT1		

M.=Mounted side (T: Mounted on the Top side B: Mounted on the Bottom side)
S.=Surface mount

[FIL2 BOARD]

REF NO.	ORDER NO.	DESCRIPTION	M.	H/V LOCATION
IC4450	1110006870	S.IC uPC2709TB-E3	T	7/16.1
D4500	1750000581	S.DIO 1SV307 (TPH3,F)	T	8.7/10
D4501	1750000581	S.DIO 1SV307 (TPH3,F)	T	8.7/6.7
D4502	1750000581	S.DIO 1SV307 (TPH3,F)	T	20.3/11.2
D4503	1750000581	S.DIO 1SV307 (TPH3,F)	T	20.3/7.8
L4452	6200010670	S.COL C2520C-R18G-A (0.18U)	T	6.3/13.1
L4500	6200005711	S.COL ELJRE 27NGFA	T	10.9/13.2
L4501	6200005701	S.COL ELJRE 22NGFA	T	13.1/11.3
L4502	6200006981	S.COL ELJRE R10GFA	B	14.9/12.1
L4503	6200005741	S.COL ELJRE 47NGFA	T	16/13.9
L4504	6200006991	S.COL ELJRE 56NGFA	T	19.5/14.6
L4505	6200005651	S.COL ELJRE 8N2ZFA	T	10.9/5.6
L4551	6200005641	S.COL ELJRE 6N8ZFA	T	13.1/7.6
L4552	6200006981	S.COL ELJRE R10GFA	B	14.7/6.8
L4553	6200005671	S.COL ELJRE 12NGFA	T	16/5
L4554	6200005681	S.COL ELJRE 15NGFA	T	19.5/4.4
R4451	7030003340	S.RES ERJ3GEYJ 151 V (150)	T	3.2/5.2
R4452	7030003260	S.RES ERJ3GEYJ 330 V (33)	T	2/6.7
R4454	7030003340	S.RES ERJ3GEYJ 151 V (150)	T	3.2/8.2
R4455	7030003200	S.RES ERJ3GEYJ 100 V (10)	B	4.3/13.2
R4500	7030003460	S.RES ERJ3GEYJ 152 V (1.5 k)	T	7.1/7.1
R4501	7030003440	S.RES ERJ3GEYJ 102 V (1 k)	B	11/12.1
R4502	7030003440	S.RES ERJ3GEYJ 102 V (1 k)	B	19.5/12.3
R4503	7030003440	S.RES ERJ3GEYJ 102 V (1 k)	T	21.9/10.9
R4550	7030003440	S.RES ERJ3GEYJ 102 V (1 k)	B	10.2/6.4
R4551	7030003440	S.RES ERJ3GEYJ 102 V (1 k)	B	19.5/6.8
C4458	4030017810	S.CER C1608 CH 1H 102J-T	T	2/9.5
C4459	4030017810	S.CER C1608 CH 1H 102J-T	T	5.1/15.7
C4460	4030017810	S.CER C1608 CH 1H 102J-T	B	6.1/14.7
C4500	4030017810	S.CER C1608 CH 1H 102J-T	T	7.1/9.7
C4501	4030007030	S.CER C1608 CH 1H 150J-T	T	10.9/14.6
C4502	4030009520	S.CER C1608 CH 1H 020B-T	T	10.2/11.3
C4503	4030007050	S.CER C1608 CH 1H 220J-T	T	13.1/13.9
C4504	4030017810	S.CER C1608 CH 1H 102J-T	B	13/12.9
C4505	4030011770	S.CER C1608 CH 1H 060B-T	T	11.7/11.3
C4506	4030007020	S.CER C1608 CH 1H 120J-T	T	14.6/13.9
C4507	4030007020	S.CER C1608 CH 1H 120J-T	T	14.6/11.3
C4508	4030017810	S.CER C1608 CH 1H 102J-T	B	17.1/12.9
C4509	4030007130	S.CER C1608 CH 1H 101J-T	T	16/11.3
C4510	4030007000	S.CER C1608 CH 1H 090D-T	T	18/10.6
C4511	4030007080	S.CER C1608 CH 1H 390J-T	T	18/13.3
C4512	4030007030	S.CER C1608 CH 1H 150J-T	T	18/12.1
C4514	4030017810	S.CER C1608 CH 1H 102J-T	T	21.9/8.1
C4550	4030009910	S.CER C1608 CH 1H 040B-T	T	7.9/4.5
C4551	4030009500	S.CER C1608 CH 1H 0R5B-T	T	10.2/7.6
C4552	4030011770	S.CER C1608 CH 1H 060B-T	T	13.1/5
C4553	4030017810	S.CER C1608 CH 1H 102J-T	B	12.2/6.1
C4554	4030009540	S.CER C1608 CH 1H 1R5B-T	T	11.7/7.6
C4555	4030009910	S.CER C1608 CH 1H 040B-T	T	14.6/5
C4556	4030009920	S.CER C1608 CH 1H 050B-T	T	14.6/7.6
C4557	4030017810	S.CER C1608 CH 1H 102J-T	B	17.1/6.1
C4558	4030007070	S.CER C1608 CH 1H 330J-T	T	16/7.6
C4559	4030009550	S.CER C1608 CH 1H 2R5B-T	T	18/8.3
C4560	4030007010	S.CER C1608 CH 1H 100D-T	T	18/5.6
C4561	4030009350	S.CER C1608 CH 1H 3R5B-T	T	18/6.9
J4451	6910003841	CNR IMSA-9230B-1-05Z003-PT1		
J4452	6910003841	CNR IMSA-9230B-1-05Z003-PT1		

[MIX1 UNIT]

REF NO.	ORDER NO.	DESCRIPTION	M.	H/V LOCATION
IC1	1130012720	S.IC CD74HC4094PWR	T	12.1/8.1
IC101	1110006600	S.IC MGA-82563-TR1G	T	29.6/13.2
IC102	1110006970	S.IC MAALSS0038TR	T	41.7/13.2
IC103	1110007060	S.IC uPC3223TB-E3	T	23.1/7.9
IC201	1190002110	S.IC NJG1519KC1-TE3-#ZZZB	T	43/26
IC202	1190002110	S.IC NJG1519KC1-TE3-#ZZZB	T	39/46
IC301	1110007050	S.IC SYM-30DHW+ <MRF>	T	20.5/46.3
Q3	1590003530	S.TR BCR08PN		
Q4	1590003530	S.TR BCR08PN		
L101	6200002611	S.COL NLV25T-R47J	T	32.4/6.8
L102	6200010940	S.COL C2520C-39NG-A	T	32.7/12.6
L103	6200002611	S.COL NLV25T-R47J	T	43.5/7.5
L104	6200010940	S.COL C2520C-39NG-A	T	45.3/12.6
L105	6200005681	S.COL ELJRE 15NGFA	T	23.1/5.7
L106	6200005011	S.COL NLV25T-100J	B	21.4/6.4
L209	6200005631	S.COL ELJRE 5N6ZFA	T	33/27.5
L210	6200005641	S.COL ELJRE 6N8ZFA	T	32.3/31.9
L211	6200005591	S.COL ELJRE 2N7ZFA	T	39.7/32
L212	6200005601	S.COL ELJRE 3N3ZFA	T	38.9/38.8
L213	6200006771	S.COL ELJRE 1N5ZFA	T	45.3/31.3
L214	6200006771	S.COL ELJRE 1N5ZFA	T	46.1/38
L215	6200005601	S.COL ELJRE 3N3ZFA	T	33.8/24
L301	6200010700	S.COL LQW18AN12NG00D	T	31.1/55.1
R1	7030003200	S.RES ERJ3GEYJ 100 V (10)	T	8.6/6.2
R2	7030008240	S.RES ERJ12Y0R00U	B	3.5/28.4
R3	7030008240	S.RES ERJ12Y0R00U	B	34.4/4.8
R4	7030008240	S.RES ERJ12Y0R00U	B	3.5/21.5
R5	7030003860	S.RES ERJ3GE JPW V	B	6.8/7.6
R6	7030003860	S.RES ERJ3GE JPW V	B	7.4/15.9
R7	7030003860	S.RES ERJ3GE JPW V	B	8.8/7.6
R8	7030003860	S.RES ERJ3GE JPW V	B	9.8/15.9
R9	7030003860	S.RES ERJ3GE JPW V	B	10.8/7.6
R10	7030003860	S.RES ERJ3GE JPW V	B	12.2/15.9
R11	7030003860	S.RES ERJ3GE JPW V	B	13.6/7.6
R12	7030003360	S.RES ERJ3GEYJ 221 V (220)	B	6.8/5
R13	7030003360	S.RES ERJ3GEYJ 221 V (220)	B	8.6/17
R14	7030003360	S.RES ERJ3GEYJ 221 V (220)	B	8/5
R15	7030000010	S.RES MCR10EZJ JPW (000)	B	27.5/3.6
R101	7030003250	S.RES ERJ3GEYJ 270 V (27)	T	27.6/9
R102	7030003360	S.RES ERJ3GEYJ 221 V (220)	T	28.3/7
R103	7030003360	S.RES ERJ3GEYJ 221 V (220)	T	29.5/11
R104	7030007860	S.RES ERJ3GEYJ 8R2V (8.2)	T	37.3/9.5
R105	7030003410	S.RES ERJ3GEYJ 561 V (560)	T	36.5/7.5
R106	7030003410	S.RES ERJ3GEYJ 561 V (560)	T	38/7.5
R107	7030007860	S.RES ERJ3GEYJ 8R2V (8.2)	T	45.3/19.5
R108	7030003410	S.RES ERJ3GEYJ 561 V (560)	T	47.2/18.7
R109	7030003410	S.RES ERJ3GEYJ 561 V (560)	T	47.2/20.2
R110	7030008240	S.RES ERJ12Y0R00U	B	39.7/20.5
R111	7030003370	S.RES ERJ3GEYJ 271 V (270)	T	20/13.8
R112	7030003370	S.RES ERJ3GEYJ 271 V (270)	T	20/12.3
R113	7030003230	S.RES ERJ3GEYJ 180 V (18)	T	21.8/13
R201	7030003440	S.RES ERJ3GEYJ 102 V (1 k)	B	39.7/24.7
R202	7030003440	S.RES ERJ3GEYJ 102 V (1 k)	B	41.5/24.7
R203	7030003440	S.RES ERJ3GEYJ 102 V (1 k)	B	46.4/24.7
R204	7030003440	S.RES ERJ3GEYJ 102 V (1 k)	B	44.6/24.7
R219	7030003440	S.RES ERJ3GEYJ 102 V (1 k)	B	37.5/44.6
R220	7030003440	S.RES ERJ3GEYJ 102 V (1 k)	B	37.5/42.7
R221	7030003440	S.RES ERJ3GEYJ 102 V (1 k)	B	37.5/47.4
R222	7030003440	S.RES ERJ3GEYJ 102 V (1 k)	B	37.5/49.2
R301	7030004030	S.RES ERJ3GEYJ 5R6 V (5.6)	T	25.1/55.1
R302	7030003430	S.RES ERJ3GEYJ 821 V (820)	T	22.8/55.8
R303	7030003430	S.RES ERJ3GEYJ 821 V (820)	T	27.3/55.9
C1	4030007010	S.CER C1608 CH 1H 100D-T	B	12.2/18.5
C2	4030007010	S.CER C1608 CH 1H 100D-T	B	13.6/5
C3	4030007010	S.CER C1608 CH 1H 100D-T	B	11.3/5.7
C4	4030007010	S.CER C1608 CH 1H 100D-T	B	9.8/18.5
C5	4030007010	S.CER C1608 CH 1H 100D-T	B	7.4/18.5
C6	4030007010	S.CER C1608 CH 1H 100D-T	B	9.2/5
C7	4030007010	S.CER C1608 CH 1H 100D-T	B	5.6/5
C8	4030011600	S.CER C1608 JB 1E 104K-T	T	8.6/8.9
C10	4030011340	S.CER C1608 CH 1H 471J-T	B	14.9/5
C11	4030011340	S.CER C1608 CH 1H 471J-T	B	13.4/19.6
C12	4030011340	S.CER C1608 CH 1H 471J-T	B	11.3/4.5
C13	4030011340	S.CER C1608 CH 1H 471J-T	B	11/18.5
C101	4030007010	S.CER C1608 CH 1H 100D-T	T	26.1/9
C102	4030006860	S.CER C1608 JB 1H 102K-T	T	26.1/11.8
C103	4030007130	S.CER C1608 CH 1H 101J-T	T	27.6/11.8
C104	4030017810	S.CER C1608 CH 1H 102J-T	T	32/8.8
C105	4030007130	S.CER C1608 CH 1H 101J-T	T	32/10
C106	4030007130	S.CER C1608 CH 1H 101J-T	T	35.8/14
C107	4030006860	S.CER C1608 JB 1H 102K-T	T	35.8/12.5
C108	4030007010	S.CER C1608 CH 1H 100D-T	T	37.3/11
C109	4030006860	S.CER C1608 JB 1H 102K-T	T	38.8/12.5
C110	4030007130	S.CER C1608 CH 1H 101J-T	T	38.8/14
C111	4030017810	S.CER C1608 CH 1H 102J-T	T	42.7/9.4
C112	4030007130	S.CER C1608 CH 1H 101J-T	T	42.7/10.6
C113	4030007130	S.CER C1608 CH 1H 101J-T	T	40.9/19
C114	4030006860	S.CER C1608 JB 1H 102K-T	T	42.4/19
C115	4030007010	S.CER C1608 CH 1H 100D-T	T	43.9/19.7
C116	4030007010	S.CER C1608 CH 1H 100D-T	T	23.1/13
C117	4030007010	S.CER C1608 CH 1H 100D-T	T	21.5/9.9
C118	4030006860	S.CER C1608 JB 1H 102K-T	T	21.5/11.1
C119	4030006900	S.CER C1608 JB 1H 103K-T	T	19.9/7.1
C120	4030007130	S.CER C1608 CH 1H 101J-T	T	21.2/7.1
C121	4030006860	S.CER C1608 JB 1H 102K-T	T	25.7/7
C122	4030007130	S.CER C1608 CH 1H 101J-T	T	25.7/5.7

M.=Mounted side (T: Mounted on the Top side B: Mounted on the Bottom side) S.=Surface mount

[MIX1 UNIT]

REF NO.	ORDER NO.	DESCRIPTION	M.	H/V LOCATION
C123	4030009550	S.CER C1608 CH 1H 2R5B-T	T	35.3/5.7
C124	4030009550	S.CER C1608 CH 1H 2R5B-T	T	30.3/4.4
C125	4030009550	S.CER C1608 CH 1H 2R5B-T	T	46/6
C126	4030009550	S.CER C1608 CH 1H 2R5B-T	T	41.2/5.1
C127	4030009920	S.CER C1608 CH 1H 050B-T	B	21.4/8.3
C128	4030009920	S.CER C1608 CH 1H 050B-T	B	19.1/6.2
C202	4030007100	S.CER C1608 CH 1H 560J-T	B	46.4/27.4
C203	4030007100	S.CER C1608 CH 1H 560J-T	B	44.6/27.4
C204	4030007100	S.CER C1608 CH 1H 560J-T	B	41.5/27.4
C205	4030007100	S.CER C1608 CH 1H 560J-T	B	39.7/27.4
C230	4030011340	S.CER C1608 CH 1H 471J-T	T	39.7/24.7
C231	4030009520	S.CER C1608 CH 1H 020B-T	T	33.8/25.5
C232	4030009510	S.CER C1608 CH 1H 010B-T	T	31.5/27.5
C233	4030009520	S.CER C1608 CH 1H 020B-T	T	32.3/29.4
C235	4030009500	S.CER C1608 CH 1H 0R5B-T	T	32.3/33.3
C236	4030009510	S.CER C1608 CH 1H 010B-T	T	33.8/34.5
C237	4030011340	S.CER C1608 CH 1H 471J-T	T	33.3/36.7
C238	4030007170	S.CER C1608 CH 1H 221J-T	T	39.7/29
C239	4030009520	S.CER C1608 CH 1H 020B-T	T	37.4/29.8
C240	4030009500	S.CER C1608 CH 1H 0R5B-T	T	38.2/32
C241	4030009550	S.CER C1608 CH 1H 2R5B-T	T	38.9/35.8
C243	4030009570	S.CER C1608 CH 1H 0R3B-T	T	38.9/37.3
C244	4030009540	S.CER C1608 CH 1H 1R5B-T	T	37.4/40.3
C245	4030007170	S.CER C1608 CH 1H 221J-T	T	39.7/41
C246	4030007100	S.CER C1608 CH 1H 560J-T	T	46.1/29
C247	4030009510	S.CER C1608 CH 1H 010B-T	T	43.8/29.8
C249	4030009510	S.CER C1608 CH 1H 010B-T	T	45.3/35.8
C250	4030009500	S.CER C1608 CH 1H 0R5B-T	T	45.3/34.3
C252	4030009510	S.CER C1608 CH 1H 010B-T	T	43.8/40.3
C253	4030007100	S.CER C1608 CH 1H 560J-T	T	46.1/41
C259	4030007100	S.CER C1608 CH 1H 560J-T	B	40.1/44.6
C260	4030007100	S.CER C1608 CH 1H 560J-T	B	40.1/42.7
C261	4030007100	S.CER C1608 CH 1H 560J-T	B	40.1/49.2
C262	4030007100	S.CER C1608 CH 1H 560J-T	B	40.1/47.4
C263	4030009510	S.CER C1608 CH 1H 010B-T	T	37.9/25.7
C264	4030009520	S.CER C1608 CH 1H 020B-T	T	33.8/22.5
C265	4030007130	S.CER C1608 CH 1H 101J-T	T	45.3/22.2
C266	4030006860	S.CER C1608 JB 1H 102K-T	T	46.5/22.2
C306	4030006860	S.CER C1608 JB 1H 102K-T	T	28.8/47.4
C307	4030007130	S.CER C1608 CH 1H 101J-T	T	30/47.4
C310	4030009530	S.CER C1608 CH 1H 030B-T	T	28.8/55.9
C312	4030009530	S.CER C1608 CH 1H 030B-T	T	33.3/55.9
J1	6510019971	S.CNR 52808-1071	B	10.3/11.7
J101	6510023480	S.CNR AYU1-1P-02676-120-TF	B	22.8/11.8
J301	6510023480	S.CNR AYU1-1P-02676-120-TF	B	7.7/48.9
J302	6510007020	CNR TMP-J01X-V6		
W1	8900015660	CBL OPC-1596		
W2	8900015780	CBL OPC-1634		
EP11	6910015970	S.BEA MMZ1608B 301CT-AS	B	11/15.9
EP12	6910015970	S.BEA MMZ1608B 301CT-AS	B	11.3/3.3
EP13	6910015970	S.BEA MMZ1608B 301CT-AS	B	16.3/5
EP14	6910015970	S.BEA MMZ1608B 301CT-AS	B	13.4/17
EP101	6910015970	S.BEA MMZ1608B 301CT-AS	T	33.8/4.5
EP102	6910015970	S.BEA MMZ1608B 301CT-AS	T	44.5/4.8
EP103	6910015970	S.BEA MMZ1608B 301CT-AS	B	18.3/4.3
EP104	6910015970	S.BEA MMZ1608B 301CT-AS	B	30.5/4.2
EP105	6910015970	S.BEA MMZ1608B 301CT-AS	B	37.4/4.9

[MIX2 UNIT]

REF NO.	ORDER NO.	DESCRIPTION	M.	H/V LOCATION
IC21	1190002051	S.IC SPM5001-TL-E	T	37.8/37.2
IC101	1110006870	S.IC uPC2709TB-E3	T	8.4/20.7
D121	1790001621	S.DIO 1SV308 (TPL3,F)	T	8.6/42.1
D122	1790001621	S.DIO 1SV308 (TPL3,F)	T	18.1/47.2
D141	1790001621	S.DIO 1SV308 (TPL3,F)	T	9.4/39.9
D142	1790001621	S.DIO 1SV308 (TPL3,F)	T	18.1/39.9
D161	1790001621	S.DIO 1SV308 (TPL3,F)	T	9.4/31.1
D162	1790001621	S.DIO 1SV308 (TPL3,F)	T	17.9/32.6
L1	6200010700	S.COL LQW18AN12NG00D	T	43.5/41.6
L2	6200010700	S.COL LQW18AN12NG00D	T	44.2/46.9
L3	6200010700	S.COL LQW18AN12NG00D	T	43.5/37
L21	6140004610	S.COL LR-520	T	33.8/47.4
L22	6130002961	S.COL #617DB-1327=P3	T	31.2/37.3
L23	6130002961	S.COL #617DB-1327=P3	T	36.8/29.9
L41	6200011050	S.COL C2012C-R12G-A	T	36.9/15.4
L42	6200010320	S.COL C2012C-R15G-A	T	39.5/12.8
L43	6200010310	S.COL C2012C-27NG-A	T	41.7/18.5
L44	6200010010	S.COL C2012C-39NG-A	T	45.8/17.6
L101	6200010350	S.COL C2012C-R27G-A	T	10.9/21.6
L121	6200005721	S.COL ELJRE 33NGFA	T	12.2/45.7
L122	6200005721	S.COL ELJRE 33NGFA	T	14.5/46.5
L141	6200005661	S.COL ELJRE 10NGFA	T	13/39.2
L142	6200005661	S.COL ELJRE 10NGFA	T	15.2/38.4
L161	6200005651	S.COL ELJRE 8N2ZFA	T	12.2/31.1
L162	6200005651	S.COL ELJRE 8N2ZFA	T	14.5/31.9
L183	6200005651	S.COL ELJRE 8N2ZFA	T	24.3/42.3
R21	7030003860	S.RES ERJ3GE JPW V	T	32/42.3
R22	7030003860	S.RES ERJ3GE JPW V	T	38.6/42.3
R23	7030003320	S.RES ERJ3GEYJ 101 V (100)	T	35.6/38.6
R24	7030003320	S.RES ERJ3GEYJ 101 V (100)	T	35.6/35.9
R25	7030003260	S.RES ERJ3GEYJ 330 V (33)	T	30.1/30.1
R26	7030003300	S.RES ERJ3GEYJ 680 V (68)	T	30.3/44.8
R27	7030003300	S.RES ERJ3GEYJ 680 V (68)	T	37.3/44.8
R42	7030003860	S.RES ERJ3GE JPW V	T	35.8/20
R44	7030003280	S.RES ERJ3GEYJ 470 V (47)	T	44/17.3
R101	7030003860	S.RES ERJ3GE JPW V [EUR], [UK]	T	7.5/13.8
R101	7030004030	S.RES ERJ3GEYJ 5R6 V (5.6) [USA], [FRA], [USA-1], [EXP], [AUS]	T	7.5/13.8
R102	7030003430	S.RES ERJ3GEYJ 821 V (820) [USA], [FRA], [USA-1], [EXP], [AUS]	T	19.75/21.8
R103	7030003430	S.RES ERJ3GEYJ 821 V (820) [USA], [FRA], [USA-1], [EXP], [AUS]	T	19.75/23.3
R104	7030003200	S.RES ERJ3GEYJ 100 V (10)	T	11.5/18
R105	7030003410	S.RES ERJ3GEYJ 561 V (560) [USA], [FRA], [USA-1], [EXP], [AUS]	T	10.8/27.4
R105	7030003440	S.RES ERJ3GEYJ 102 V (1 k) [EUR], [UK]	T	10.8/27.4
R106	7030003860	S.RES ERJ3GE JPW V	T	8.6/28.1
R121	7030003410	S.RES ERJ3GEYJ 561 V (560) [USA], [FRA], [USA-1], [EXP], [AUS]	B	17.9/44.9
R121	7030003440	S.RES ERJ3GEYJ 102 V (1 k) [EUR], [UK]	B	17.9/44.9
R122	7030003680	S.RES ERJ3GEYJ 104 V (100 k)	B	19.8/45.7
R141	7030003410	S.RES ERJ3GEYJ 561 V (560) [USA], [FRA], [USA-1], [EXP], [AUS]	B	18.9/37.9
R141	7030003440	S.RES ERJ3GEYJ 102 V (1 k) [EUR], [UK]	B	18.9/37.9
R142	7030003680	S.RES ERJ3GEYJ 104 V (100 k)	B	19.6/39.7
R161	7030003410	S.RES ERJ3GEYJ 561 V (560) [USA], [FRA], [USA-1], [EXP], [AUS]	B	18.1/29.8
R161	7030003440	S.RES ERJ3GEYJ 102 V (1 k) [EUR], [UK]	B	18.1/29.8
R162	7030003680	S.RES ERJ3GEYJ 104 V (100 k)	B	19.6/29.8
R181	7030003410	S.RES ERJ3GEYJ 561 V (560) [USA], [FRA], [USA-1], [EXP], [AUS]	T	22.1/41.5
R181	7030003440	S.RES ERJ3GEYJ 102 V (1 k) [EUR], [UK]	T	22.1/41.5
C1	4030009920	S.CER C1608 CH 1H 050B-T	T	44.2/39.1
C3	4030009920	S.CER C1608 CH 1H 050B-T	T	45.7/43.9
C5	4030009530	S.CER C1608 CH 1H 030B-T	T	41.7/47.6
C6	4030009530	S.CER C1608 CH 1H 030B-T	T	44.2/34.6
C21	4030006850	S.CER C1608 JB 1H 471K-T	T	29/49.1
C22	4030011600	S.CER C1608 JB 1E 104K-T	T	37.2/49.1
C23	4030011600	S.CER C1608 JB 1E 104K-T	T	30.4/49.1
C24	4030006850	S.CER C1608 JB 1H 471K-T	T	38.6/49.1
C29	4030006850	S.CER C1608 JB 1H 471K-T	T	37.5/24.2
C30	4030011600	S.CER C1608 JB 1E 104K-T	T	37.5/25.6
C31	4030006850	S.CER C1608 JB 1H 471K-T	T	33.1/31.6
C32	4030011600	S.CER C1608 JB 1E 104K-T	T	33.1/27.1
C33	4030011600	S.CER C1608 JB 1E 104K-T	T	31.6/31.6
C34	4030006850	S.CER C1608 JB 1H 471K-T	T	31.6/27.1
C42	4030007100	S.CER C1608 CH 1H 560J-T	T	41.9/13.8
C43	4030007070	S.CER C1608 CH 1H 330J-T	T	41.9/11.8
C44	4030007020	S.CER C1608 CH 1H 120J-T	T	36.6/17.8
C45	4030007020	S.CER C1608 CH 1H 120J-T	T	41.4/16.6
C101	4030006860	S.CER C1608 JB 1H 102K-T	T	7.5/18.1
C102	4030006860	S.CER C1608 JB 1H 102K-T	T	9.7/18.8
C103	4030006860	S.CER C1608 JB 1H 102K-T	T	8.4/22.6
C104	4030011600	S.CER C1608 JB 1E 104K-T	T	9.7/17.4
C121	4030007030	S.CER C1608 CH 1H 150J-T	T	11.5/48
C122	4030006860	S.CER C1608 JB 1H 102K-T	B	21/44.5
C123	4030007060	S.CER C1608 CH 1H 270J-T	T	13/48
C124	4030007030	S.CER C1608 CH 1H 150J-T	T	16/48
C141	4030009910	S.CER C1608 CH 1H 040B-T	T	11.5/40.7
C142	4030006860	S.CER C1608 JB 1H 102K-T	B	20.8/38.6
C143	4030006990	S.CER C1608 CH 1H 080D-T	T	14.5/40.7

M.=Mounted side (T: Mounted on the Top side B: Mounted on the Bottom side) S.=Surface mount

[MIX2 UNIT]

REF NO.	ORDER NO.	DESCRIPTION	M.	H/V LOCATION
C144	4030009910	S.CER C1608 CH 1H 040B-T	T	16/40.7
C161	4030009910	S.CER C1608 CH 1H 040B-T	T	11.5/33.4
C162	4030006860	S.CER C1608 JB 1H 102K-T	B	20.8/28.6
C163	4030006980	S.CER C1608 CH 1H 070D-T	T	13/33.4
C164	4030009910	S.CER C1608 CH 1H 040B-T	T	16/33.4
C181	4030006860	S.CER C1608 JB 1H 102K-T	T	22.8/43.8
C182	4030006990	S.CER C1608 CH 1H 080D-T	T	23.6/40
C184	4030006990	S.CER C1608 CH 1H 080D-T	T	25.1/40
C201	4030006860	S.CER C1608 JB 1H 102K-T	T	25.4/12.1
C202	4030006860	S.CER C1608 JB 1H 102K-T	B	20.3/12.1
C203	4030006860	S.CER C1608 JB 1H 102K-T	B	21.6/12.1
C204	4030006860	S.CER C1608 JB 1H 102K-T	B	22.9/12.1
J1	6510007020	CNR TMP-J01X-V6		
J41	6510007020	CNR TMP-J01X-V6		
J101	6510007020	CNR TMP-J01X-V6		
J201	6510019971	S.CNR 52808-1071	B	22/7
EP31	6910015970	S.BEA MMZ1608B 301CT-AS	B	29.3/25.3
EP101	6910015970	S.BEA MMZ1608B 301CT-AS	B	16/15.5
EP102	6910002161	CAS CASE-BM7H-LF		
EP201	6910015970	S.BEA MMZ1608B 301CT-AS	B	22.9/15.6
EP202	6910015970	S.BEA MMZ1608B 301CT-AS	B	21.6/15.6
EP203	6910015970	S.BEA MMZ1608B 301CT-AS	B	20.3/15.6
EP204	6910015970	S.BEA MMZ1608B 301CT-AS	T	24.1/14.7
EP205	6910015970	S.BEA MMZ1608B 301CT-AS	T	22.8/12.1
EP206	6910015970	S.BEA MMZ1608B 301CT-AS	T	21.5/12.1
EP207	6910015970	S.BEA MMZ1608B 301CT-AS	T	20.2/12.1
EP208	6910015970	S.BEA MMZ1608B 301CT-AS	T	24.1/12.1

[ANT UNIT]

REF NO.	ORDER NO.	DESCRIPTION	M.	H/V LOCATION
IC101	1110006970	S.IC MAALSS0038TR	T	87.4/12.7
IC201	1110006970	S.IC MAALSS0038TR	T	46.3/43.7
IC202	1110006970	S.IC MAALSS0038TR	T	33.2/42.3
IC601	1110006180	S.IC UPG2009TB-E3	T	158.5/24.2
IC602	1110006180	S.IC UPG2009TB-E3	T	158.5/16.3
IC701	1110006180	S.IC UPG2009TB-E3	T	152.7/11.5
IC702	1110006180	S.IC UPG2009TB-E3	T	144.8/11.5
IC801	1110006180	S.IC UPG2009TB-E3	T	139.2/10.3
IC802	1110007110	S.IC HELA-10+ <MRF>	T	120.6/9.4
IC803	1110006180	S.IC UPG2009TB-E3	T	105.5/19.9
IC1201	1130005721	S.IC TC7W04F (TE12L,F)	T	32.9/12.2
Q201	1530003880	S.TR HSG2001VF-TE-E	T	40.2/31.3
Q1202	1590003530	S.TR BCR08PN	T	35.6/21.8
Q1203	1590003630	S.TR EMD29-T2R	T	32.1/21.8
Q1204	1590003630	S.TR EMD29-T2R	T	37.6/8.1
Q1205	1590003520	S.TR BCR108T	T	30.8/4.3
Q1206	1590003530	S.TR BCR08PN	T	42.3/22.4
Q1207	1590003530	S.TR BCR08PN	T	42.3/13.7
Q1208	1590003530	S.TR BCR08PN	T	42.3/19.5
Q1209	1590003530	S.TR BCR08PN	T	42.3/16.6
Q1210	1550000090	S.FET RSQ035P03TR	T	34.9/2.5
D101	1750000550	S.DIO 1SS355 TE-17	B	94.4/44.2
D102	1750000550	S.DIO 1SS355 TE-17	T	98.2/13.2
D103	1750000550	S.DIO 1SS355 TE-17	B	62/12.6
D104	1750000550	S.DIO 1SS355 TE-17	B	79.2/42.8
D201	1750000550	S.DIO 1SS355 TE-17	B	65.9/48.7
D202	1750000550	S.DIO 1SS355 TE-17	B	22.5/44.9
D501	1750000550	S.DIO 1SS355 TE-17	B	136.7/25
L1	6200011730	S.COL LQW18AN10NG00D	T	111.9/39.2
L2	6200010120	S.COL LQW18AN5N6C00D	T	106.8/32.7
L3	6200010120	S.COL LQW18AN5N6C00D	T	104.2/32.7
L101	6200001831	S.COL NLV32T-100J	T	83.3/3.7
L102	6200005731	S.COL ELJRE 39NGFA	T	84.8/10
L201	6200007670	S.COL LQW2BHN10NJ03L	T	55.4/33.8
L202	6200005631	S.COL ELJRE 5N6ZFA	T	50.9/32.8
L203	6200005621	S.COL ELJRE 4N7ZFA	T	47.5/34
L204	6200011870	S.COL LQW18AN2N2D00D	T	52.9/46.6
L205	6200011870	S.COL LQW18AN2N2D00D	T	51.4/46.6
L206	6200007670	S.COL LQW2BHN10NJ03L	T	37.8/30.7
L207	6200005731	S.COL ELJRE 39NGFA	T	44.4/42.7
L208	6200006781	S.COL ELJRE 1N8ZFA	T	34.9/29.6
L209	6200005601	S.COL ELJRE 3N3ZFA	T	31.6/30.3
L210	6200005611	S.COL ELJRE 3N9ZFA	T	29.4/29.6
L211	6200006771	S.COL ELJRE 1N5ZFA	T	42.1/43.3
L212	6200006771	S.COL ELJRE 1N5ZFA	T	39.5/44.5
L213	6200001831	S.COL NLV32T-100J	B	41.4/39.8
L214	6200005731	S.COL ELJRE 39NGFA	T	33/40.2
L215	6200001831	S.COL NLV32T-100J	T	39.3/40.6
L216	6200012310	S.COL LQW18AN4N7D00D	T	55.2/45.6
L217	6200010630	S.COL LQW18AN8N2D00D	T	30.8/46.6
L218	6200012310	S.COL LQW18AN4N7D00D	T	28.8/47.4
L219	6200012320	S.COL LQW18AN3N6D00D	T	26.5/47.8
L501	6200010660	S.COL C2520C-R15G-A (0.15U)	T	155.4/31.1
L502	6200010670	S.COL C2520C-R18G-A (0.18U)	T	159.7/30.4
L503	6200010670	S.COL C2520C-R18G-A (0.18U)	T	151.6/30.3
L521	6200007780	S.COL LQW2BHN1R2J03L	B	152.6/38.5
L522	6200008570	S.COL LQW2BHN6N8D03L	B	143.8/40.1
L801	6130003020	S.COL ADTL1-12+ <MRF>	T	133/9.5
L802	6200010870	S.COL C2520C-R33G-A (0.33U)	T	113.4/6.6
L803	6200010870	S.COL C2520C-R33G-A (0.33U)	T	113.4/12.3
L804	6130003020	S.COL ADTL1-12+ <MRF>	T	105.5/9.4
R1	7030003560	S.RES ERJ3GEYJ 103 V (10 k)	T	109.3/41.3
R101	7030003200	S.RES ERJ3GEYJ 100 V (10)	B	91.5/42.6
R102	7030003200	S.RES ERJ3GEYJ 100 V (10)	T	97.2/11.2
R104	7030003350	S.RES ERJ3GEYJ 181 V (180)	T	76.1/25.4
R105	7030003200	S.RES ERJ3GEYJ 100 V (10)	B	60.4/10.8
R106	7030003300	S.RES ERJ3GEYJ 680 V (68)	T	76.8/23.3
R107	7030004030	S.RES ERJ3GEYJ 5R6 V (5.6)	T	78.3/10.8
R108	7030003430	S.RES ERJ3GEYJ 821 V (820)	T	79.1/12.7
R109	7030003430	S.RES ERJ3GEYJ 821 V (820)	T	77.6/12.7
R110	7030003300	S.RES ERJ3GEYJ 680 V (68)	T	75.3/23.3
R111	7030003200	S.RES ERJ3GEYJ 100 V (10)	B	80.2/40.8
R112	7030003430	S.RES ERJ3GEYJ 821 V (820)	B	89.9/18.4
R113	7030004030	S.RES ERJ3GEYJ 5R6 V (5.6)	B	91.8/17.6
R114	7030003430	S.RES ERJ3GEYJ 821 V (820)	B	89.9/16.9
R115	7030003380	S.RES ERJ3GEYJ 331 V (330)	T	83.6/10
R120	7030000010	S.RES MCR10EZHZ JPW (000)	B	51.5/40.7
R121	7030000010	S.RES MCR10EZHZ JPW (000)	B	46.1/51.5
R201	7030003200	S.RES ERJ3GEYJ 100 V (10)	B	66.9/50.8
R202	7030003500	S.RES ERJ3GEYJ 332 V (3.3 k)	T	43.7/28.8
R203	7030003280	S.RES ERJ3GEYJ 470 V (47)	B	35.1/28.9
R204	7030003480	S.RES ERJ3GEYJ 222 V (2.2 k)	T	44.9/33.3
R205	7030003240	S.RES ERJ3GEYJ 220 V (22)	T	42.9/30.6
R206	7030003200	S.RES ERJ3GEYJ 100 V (10)	T	37.8/33.9
R212	7030003200	S.RES ERJ3GEYJ 100 V (10)	B	21.4/48.3
R213	7030003430	S.RES ERJ3GEYJ 821 V (820)	T	49.9/46.6
R214	7030004030	S.RES ERJ3GEYJ 5R6 V (5.6)	T	49.2/43.5
R215	7030003430	S.RES ERJ3GEYJ 821 V (820)	T	48.4/46.6
R216	7030003430	S.RES ERJ3GEYJ 821 V (820)	T	36.7/46.6
R217	7030004030	S.RES ERJ3GEYJ 5R6 V (5.6)	T	36.2/43.3
R218	7030003430	S.RES ERJ3GEYJ 821 V (820)	T	35.5/46.6
R220	7030003400	S.RES ERJ3GEYJ 471 V (470)	B	20.1/26.2
R221	7030003200	S.RES ERJ3GEYJ 100 V (10)	B	19.3/24.1
R222	7030003400	S.RES ERJ3GEYJ 471 V (470)	B	18.6/26.2
R501	7540000260	ABS SA05C 201M		
R502	7030003680	S.RES ERJ3GEYJ 104 V (100 k)	T	141.2/44.2

M.=Mounted side (T: Mounted on the Top side B: Mounted on the Bottom side)
S.=Surface mount

[ANT UNIT]

REF NO.	ORDER NO.	DESCRIPTION	M.	H/V LOCATION
R503	7030003200	S.RES ERJ3GEYJ 100 V (10)	B	132.9/23.9
R601	7030003440	S.RES ERJ3GEYJ 102 V (1 k)	B	153.1/25.1
R602	7030003290	S.RES ERJ3GEYJ 560 V (56)	T	163.3/21
R603	7030003360	S.RES ERJ3GEYJ 221 V (220)	T	161.5/20.3
R604	7030003290	S.RES ERJ3GEYJ 560 V (56)	T	163.3/19.5
R605	7030003440	S.RES ERJ3GEYJ 102 V (1 k)	B	156.1/16.2
R606	7030003440	S.RES ERJ3GEYJ 102 V (1 k)	B	161.7/15.4
R607	7030003440	S.RES ERJ3GEYJ 102 V (1 k)	B	161.7/24.3
R701	7030003440	S.RES ERJ3GEYJ 102 V (1 k)	B	152.6/15.8
R702	7030003300	S.RES ERJ3GEYJ 680 V (68)	T	148.8/8.3
R703	7030003320	S.RES ERJ3GEYJ 101 V (100)	T	149.5/6.4
R704	7030003320	S.RES ERJ3GEYJ 101 V (100)	T	148/6.4
R705	7030003440	S.RES ERJ3GEYJ 102 V (1 k)	B	143.9/15.8
R706	7030003440	S.RES ERJ3GEYJ 102 V (1 k)	B	143.9/7.3
R707	7030003440	S.RES ERJ3GEYJ 102 V (1 k)	B	153.6/7.3
R801	7030003440	S.RES ERJ3GEYJ 102 V (1 k)	B	140.1/6.4
R802	7030003440	S.RES ERJ3GEYJ 102 V (1 k)	B	140.1/14.5
R803	7030003860	S.RES ERJ3GE JPWV	T	105.2/15.4
R804	7030003440	S.RES ERJ3GEYJ 102 V (1 k)	T	103/14.6
R806	7030003440	S.RES ERJ3GEYJ 102 V (1 k)	B	102.7/18
R807	7030003440	S.RES ERJ3GEYJ 102 V (1 k)	B	106.4/21.7
R809	7030003440	S.RES ERJ3GEYJ 102 V (1 k)	T	137.6/5.3
R1207	7030003680	S.RES ERJ3GEYJ 104 V (100 k)	T	31.3/2
R1208	7030003440	S.RES ERJ3GEYJ 102 V (1 k)	T	32.5/3.5
C1	4030009920	S.CER C1608 CH 1H 050B-T	T	107.4/40.5
C2	4030009530	S.CER C1608 CH 1H 030B-T	T	109.3/39.2
C3	4030009520	S.CER C1608 CH 1H 020B-T	T	107.4/37.9
C4	4030006980	S.CER C1608 CH 1H 070D-T	T	106.8/35.3
C6	4030009540	S.CER C1608 CH 1H 1R5B-T	T	105.5/37.2
C7	4030007050	S.CER C1608 CH 1H 220J-T	T	104.2/35.3
C8	4030009550	S.CER C1608 CH 1H 2R5B-T	T	102.9/37.2
C101	4030006860	S.CER C1608 JB 1H 102K-T	B	94.1/42.6
C102	4030006860	S.CER C1608 JB 1H 102K-T	T	97.9/14.8
C104	4030006860	S.CER C1608 JB 1H 102K-T	T	85.6/7.1
C105	4030007130	S.CER C1608 CH 1H 101J-T	T	85.6/5.9
C106	4030007130	S.CER C1608 CH 1H 101J-T	T	81.1/10.7
C107	4030006860	S.CER C1608 JB 1H 102K-T	B	63.8/12.3
C109	4030006860	S.CER C1608 JB 1H 102K-T	B	79.5/44.3
C110	4030007130	S.CER C1608 CH 1H 101J-T	T	90.3/13.6
C111	4030009500	S.CER C1608 CH 1H 0R5B-T	B	83.9/44.5
C112	4030009500	S.CER C1608 CH 1H 0R5B-T	B	74.3/44.3
C113	4030009570	S.CER C1608 CH 1H 0R3B-T	B	84.3/32
C115	4030009500	S.CER C1608 CH 1H 0R5B-T	B	74.1/11
C116	4030009560	S.CER C1608 CH 1H R75B-T	T	80.3/12.7
C117	4030009920	S.CER C1608 CH 1H 050B-T	B	93/17.6
C118	4030009920	S.CER C1608 CH 1H 050B-T	T	78.3/9.6
C119	4030009560	S.CER C1608 CH 1H R75B-T	T	89.6/11.7
C122	4030009570	S.CER C1608 CH 1H 0R3B-T	B	74.1/36.7
C123	4030007090	S.CER C1608 CH 1H 470J-T	T	80/3.7
C201	4030006860	S.CER C1608 JB 1H 102K-T	B	66.2/47.1
C202	4030007090	S.CER C1608 CH 1H 470J-T	T	43.7/26.2
C203	4030007090	S.CER C1608 CH 1H 470J-T	B	35.1/31.5
C204	4030009520	S.CER C1608 CH 1H 020B-T	T	54.8/27.6
C205	4030009510	S.CER C1608 CH 1H 010B-T	T	54/30.2
C206	4030009520	S.CER C1608 CH 1H 020B-T	T	55.4/30.2
C207	4030009510	S.CER C1608 CH 1H 010B-T	T	52.1/29.5
C208	4030011770	S.CER C1608 CH 1H 060B-T	T	50.2/30.2
C209	4030009510	S.CER C1608 CH 1H 010B-T	T	48.3/29.5
C210	4030007030	S.CER C1608 CH 1H 150J-T	T	47.5/31.4
C212	4030009510	S.CER C1608 CH 1H 010B-T	T	53.7/40.6
C213	4030009350	S.CER C1608 CH 1H 3R5B-T	T	52.9/43.9
C215	4030009510	S.CER C1608 CH 1H 010B-T	T	52.2/42
C216	4030007010	S.CER C1608 CH 1H 100D-T	T	51.4/43.9
C218	4030009540	S.CER C1608 CH 1H 1R5B-T	T	49.9/41.7
C219	4030006850	S.CER C1608 JB 1H 471K-T	B	36.4/31.5
C220	4030009520	S.CER C1608 CH 1H 020B-T	T	35.6/31.6
C221	4030009550	S.CER C1608 CH 1H 2R5B-T	T	45.6/30.6
C222	4030009520	S.CER C1608 CH 1H 020B-T	T	41/33.9
C223	4030009520	S.CER C1608 CH 1H 020B-T	T	42.6/33.9
C224	4030009520	S.CER C1608 CH 1H 020B-T	T	39.4/33.9
C225	4030007130	S.CER C1608 CH 1H 101J-T	B	44.7/40.7
C228	4030009520	S.CER C1608 CH 1H 020B-T	T	43.6/44.6
C229	4030009510	S.CER C1608 CH 1H 010B-T	T	33.7/32.4
C230	4030009500	S.CER C1608 CH 1H 0R5B-T	T	33.7/29.6
C231	4030009510	S.CER C1608 CH 1H 010B-T	T	32.4/32.4
C232	4030009560	S.CER C1608 CH 1H R75B-T	T	31.6/29
C233	4030009500	S.CER C1608 CH 1H 0R5B-T	T	30.9/32.5
C234	4030009500	S.CER C1608 CH 1H 0R5B-T	T	29.4/32.5
C235	4030009500	S.CER C1608 CH 1H 0R5B-T	T	30.1/27.7
C238	4030009570	S.CER C1608 CH 1H 0R3B-T	T	42.9/46.6
C239	4030009500	S.CER C1608 CH 1H 0R5B-T	T	41.5/46.6
C240	4030009500	S.CER C1608 CH 1H 0R5B-T	T	40.3/46.6
C241	4030009570	S.CER C1608 CH 1H 0R3B-T	T	39.5/43.3
C242	4030009500	S.CER C1608 CH 1H 0R5B-T	T	27.2/29.6
C243	4030009500	S.CER C1608 CH 1H 0R5B-T	T	26/29.6
C244	4030006860	S.CER C1608 JB 1H 102K-T	B	22.2/46.4
C246	4030009500	S.CER C1608 CH 1H 0R5B-T	T	39.1/46.6
C249	4030006860	S.CER C1608 JB 1H 102K-T	T	37.8/26.7
C250	4030006860	S.CER C1608 JB 1H 102K-T	T	44.8/40.5
C251	4030009510	S.CER C1608 CH 1H 010B-T	T	46.1/33.3
C252	4030009520	S.CER C1608 CH 1H 020B-T	T	36.3/33.9
C253	4030007090	S.CER C1608 CH 1H 470J-T	B	38/39.7
C256	4030007130	S.CER C1608 CH 1H 101J-T	T	33.9/45.1
C257	4030006860	S.CER C1608 JB 1H 102K-T	T	35.7/41
C258	4030007130	S.CER C1608 CH 1H 101J-T	T	37.1/41
C259	4030009570	S.CER C1608 CH 1H 0R3B-T	T	55.9/39.8
C260	4030009520	S.CER C1608 CH 1H 020B-T	T	55.2/41.8
C261	4030009540	S.CER C1608 CH 1H 1R5B-T	T	54.4/43.7
C262	4030009530	S.CER C1608 CH 1H 030B-T	T	49.2/44.7
C263	4030007130	S.CER C1608 CH 1H 101J-T	T	47.9/41.6
C264	4030009570	S.CER C1608 CH 1H 0R3B-T	T	37.9/46.6
C265	4030009530	S.CER C1608 CH 1H 030B-T	T	36.2/44.5

[ANT UNIT]

REF NO.	ORDER NO.	DESCRIPTION	M.	H/V LOCATION
C266	4030009540	S.CER C1608 CH 1H 1R5B-T	T	30.8/41
C267	4030009540	S.CER C1608 CH 1H 1R5B-T	T	30.8/44
C268	4030009510	S.CER C1608 CH 1H 010B-T	T	29.2/42.5
C269	4030009560	S.CER C1608 CH 1H R75B-T	T	28/45.4
C270	4030009510	S.CER C1608 CH 1H 010B-T	T	29.2/45.4
C271	4030009560	S.CER C1608 CH 1H R75B-T	T	27.3/43.2
C272	4030009920	S.CER C1608 CH 1H 050B-T	T	26.5/45.2
C273	4030009560	S.CER C1608 CH 1H R75B-T	T	26.5/41.3
C501	4030006860	S.CER C1608 JB 1H 102K-T	B	135.1/24.7
C502	4030007100	S.CER C1608 CH 1H 560J-T	T	153.9/28.1
C504	4030007100	S.CER C1608 CH 1H 560J-T	T	156.5/28.1
C506	4030007130	S.CER C1608 CH 1H 101J-T	T	158.5/27.3
C508	4030007130	S.CER C1608 CH 1H 101J-T	T	151/28.1
C521	4030007020	S.CER C1608 CH 1H 120J-T	B	154.6/40.9
C522	4030007020	S.CER C1608 CH 1H 120J-T	B	153.4/40.9
C523	4030007020	S.CER C1608 CH 1H 120J-T	B	151.8/40.9
C524	4030007020	S.CER C1608 CH 1H 120J-T	B	150.6/40.9
C525	4030009540	S.CER C1608 CH 1H 1R5B-T	B	142.1/44.8
C526	4030009520	S.CER C1608 CH 1H 020B-T	B	140.9/39.2
C601	4030006860	S.CER C1608 JB 1H 102K-T	T	156.1/24.4
C602	4030006860	S.CER C1608 JB 1H 102K-T	T	161/25.9
C603	4030017810	S.CER C1608 CH 1H 102J-T	T	161/23.1
C604	4030006900	S.CER C1608 JB 1H 103K-T	T	161/22.1
C605	4030006900	S.CER C1608 JB 1H 103K-T	T	157.8/20.3
C606	4030017810	S.CER C1608 CH 1H 102J-T	T	156.5/20.3
C607	4030006900	S.CER C1608 JB 1H 103K-T	T	161/17.2
C608	4030017810	S.CER C1608 CH 1H 102J-T	T	161/18.4
C609	4030006860	S.CER C1608 JB 1H 102K-T	T	156/16.4
C610	4030006860	S.CER C1608 JB 1H 102K-T	T	161.7/15.4
C611	4030017810	S.CER C1608 CH 1H 102J-T	T	155.7/13.1
C612	4030006900	S.CER C1608 JB 1H 103K-T	T	155.7/14.3
C701	4030006860	S.CER C1608 JB 1H 102K-T	T	152.9/12.7
C702	4030006860	S.CER C1608 JB 1H 102K-T	T	153.6/8.2
C703	4030006900	S.CER C1608 JB 1H 103K-T	T	151.8/9
C704	4030017810	S.CER C1608 CH 1H 102J-T	T	150.6/9
C705	4030006900	S.CER C1608 JB 1H 103K-T	T	148.8/12.3
C706	4030017810	S.CER C1608 CH 1H 102J-T	T	148.8/13.5
C707	4030006900	S.CER C1608 JB 1H 103K-T	T	146.9/9
C708	4030017810	S.CER C1608 CH 1H 102J-T	T	145.7/9
C709	4030006860	S.CER C1608 JB 1H 102K-T	T	144.7/14
C710	4030006860	S.CER C1608 JB 1H 102K-T	T	143.9/8.2
C711	4030017810	S.CER C1608 CH 1H 102J-T	T	142.1/10.4
C712	4030006900	S.CER C1608 JB 1H 103K-T	T	142.1/11.6
C801	4030006860	S.CER C1608 JB 1H 102K-T	T	141.2/8
C802	4030006860	S.CER C1608 JB 1H 102K-T	T	140.1/13.5
C803	4030017810	S.CER C1608 CH 1H 102J-T	T	127.8/7.8
C804	4030006900	S.CER C1608 JB 1H 103K-T	T	127.8/6.7
C805	4030006900	S.CER C1608 JB 1H 103K-T	T	111.6/19.9
C806	4030017810	S.CER C1608 CH 1H 102J-T	T	110.3/19.9
C807	4030006900	S.CER C1608 JB 1H 103K-T	T	127.8/12.3
C808	4030017810	S.CER C1608 CH 1H 102J-T	T	127.8/10.9
C809	4030006860	S.CER C1608 JB 1H 102K-T	T	114.8/3
C810	4030006900	S.CER C1608 JB 1H 103K-T	T	112.9/2.7
C812	4030006860	S.CER C1608 JB 1H 102K-T	T	102.7/18
C813	4030006860	S.CER C1608 JB 1H 102K-T	T	106.4/22.2
C814	4030017810	S.CER C1608 CH 1H 102J-T	T	101.7/20.6
C815	4030006900	S.CER C1608 JB 1H 103K-T	T	102.9/20.6
C816	4030006900	S.CER C1608 JB 1H 103K-T	T	115.3/14.9
C817	4030006860	S.CER C1608 JB 1H 102K-T	T	111.4/14.9
C819	4030006900	S.CER C1608 JB 1H 103K-T	T	110.8/6.8
C820	4030017810	S.CER C1608 CH 1H 102J-T	T	110.8/8.1
C821	4030017810	S.CER C1608 CH 1H 102J-T	T	110.8/12
C822	4030006900	S.CER C1608 JB 1H 103K-T	T	110.8/10.7
C823	4030006900	S.CER C1608 JB 1H 103K-T	T	107.7/16.9
C824	4030017810	S.CER C1608 CH 1H 102J-T	T	106.4/16.9
C825	4030017810	S.CER C1608 CH 1H 102J-T	T	138.8/7.9
C826	4030006900	S.CER C1608 JB 1H 103K-T	T	137.6/7.9
C1001	4030006860	S.CER C1608 JB 1H 102K-T	B	24.8/20.1
C1002	4030006860	S.CER C1608 JB 1H 102K-T	B	22.3/18.9
C1003	4030006860	S.CER C1608 JB 1H 102K-T	B	21.5/17.7
C1004	4030006860	S.CER C1608 JB 1H 102K-T	B	22.3/16.5
C1005	4030006860	S.CER C1608 JB 1H 102K-T	B	21.5/15.3
C1006	4030006860	S.CER C1608 JB 1H 102K-T	B	22.3/14.1
C1007	4030006860	S.CER C1608 JB 1H 102K-T	B	21.5/12.9
C1008	4030006860	S.CER C1608 JB 1H 102K-T		

[ANT UNIT]

REF NO.	ORDER NO.	DESCRIPTION	M.	H/V LOCATION
EP1008	6910015970	S.BEA MMZ1608B 301CT-AS	T	22.3/11.7
EP1009	6910015970	S.BEA MMZ1608B 301CT-AS	T	22.3/10.5
EP1010	6910015970	S.BEA MMZ1608B 301CT-AS	T	22.3/9.3
EP1101	6910015970	S.BEA MMZ1608B 301CT-AS	B	28.3/21.1
EP1102	6910015970	S.BEA MMZ1608B 301CT-AS	T	26/18.9
EP1103	6910015970	S.BEA MMZ1608B 301CT-AS	T	28.7/18.2
EP1104	6910014730	S.BEA MPZ2012S331A-T	T	26.3/16.9
EP1105	6910015970	S.BEA MMZ1608B 301CT-AS	T	26.1/15.3
EP1106	6910015970	S.BEA MMZ1608B 301CT-AS	T	26/14.1
EP1107	6910015970	S.BEA MMZ1608B 301CT-AS	T	26/12.9
EP1108	6910015970	S.BEA MMZ1608B 301CT-AS	T	26/11.7
EP1109	6910015970	S.BEA MMZ1608B 301CT-AS	T	26/10.5
EP1110	6910015970	S.BEA MMZ1608B 301CT-AS	B	26/9.3
EP1201	6910014730	S.BEA MPZ2012S331A-T	T	29.6/16.5

[VCO-A BOARD]

REF NO.	ORDER NO.	DESCRIPTION	M.	H/V LOCATION
Q1301	1560000491	S.FET 2SK508-T2B-A K52	T	5.3/9.7
Q1302	1530003550	S.TR 2SC5193-T1	T	8/18.4
Q1303	1530002060	S.TR 2SC4081 T106 R	B	6.5/16.1
D1301	1720000261	S.VCP 1SV214 (TPH2,F)	T	33.7/10.1
D1302	1720000261	S.VCP 1SV214 (TPH2,F)	T	33.7/17.5
D1303	1720000261	S.VCP 1SV214 (TPH2,F)	T	33.7/11.8
D1304	1720000261	S.VCP 1SV214 (TPH2,F)	T	33.7/19.3
D1307	1790001621	S.DIO 1SV308 (TPL3,F)	T	2.3/26.7
D1308	1790001621	S.DIO 1SV308 (TPL3,F)	T	1.4/24.9
L1001	6200010780	S.COL C2520C-1R0G-A	T	2.2/31.4
L1301	6200010740	S.COL C2520C-R27G-A	T	35.7/5
L1302	6200010740	S.COL C2520C-R27G-A	T	34/14.3
L1303	6200010740	S.COL C2520C-R27G-A	T	34.3/21.7
L1304	6200010740	S.COL C2520C-R27G-A	T	6/12.9
L1305	6200002041	S.COL NLV25T-101J	T	2.3/13.6
L1306	6200010780	S.COL C2520C-1R0G-A	T	8/28.7
R1001	7030003460	S.RES ERJ3GEYJ 152 V (1.5 k)	T	3.1/35.2
R1011	7030009961	S.RES ERA3YED 221V (220)	T	38/6.8
R1302	7030003310	S.RES ERJ3GEYJ 820 V (82)	T	5.2/15.2
R1303	7030003440	S.RES ERJ3GEYJ 102 V (1 k)	B	5.9/13.8
R1304	7030003510	S.RES ERJ3GEYJ 392 V (3.9 k)	T	8/16.5
R1305	7030003460	S.RES ERJ3GEYJ 152 V (1.5 k)	T	8/15.2
R1306	7030003320	S.RES ERJ3GEYJ 101 V (100)	T	8/20.3
R1307	7030003320	S.RES ERJ3GEYJ 101 V (100)	T	7.2/25.1
R1308	7030003240	S.RES ERJ3GEYJ 220 V (22)	T	9.3/24.5
C1001	4030017810	S.CER C1608 CH 1H 102J-T	T	2.2/28.2
C1301	4030011340	S.CER C1608 CH 1H 471J-T	T	40.4/7
C1302	4550003250	S.TAN TEESVA 1V 474M8R	T	39.6/3.8
C1303	4030007010	S.CER C1608 CH 1H 100D-T	T	31.2/14.3
C1303	4030007020	S.CER C1608 CH 1H 120J-T	T	31.2/14.3
C1304	4030011340	S.CER C1608 CH 1H 471J-T	T	2.3/10.6
C1305	4030011340	S.CER C1608 CH 1H 471J-T	T	2.3/9.3
C1306	4030009530	S.CER C1608 CH 1H 030B-T	T	7.6/9.9
C1307	4030009530	S.CER C1608 CH 1H 030B-T	T	2.3/7.9
C1308	4030009510	S.CER C1608 CH 1H 010B-T	T	8.8/13
C1309	4550007860	S.TAN TMCMB1C336MTR	B	8.3/19.8
C1310	4030017810	S.CER C1608 CH 1H 102J-T	T	8/21.6
C1311	4030011600	S.CER C1608 JB 1E 104K-T	T	8/22.9
C1312	4030017810	S.CER C1608 CH 1H 102J-T	T	9.3/25.8
C1313	4030017810	S.CER C1608 CH 1H 102J-T	T	8/32.7
C1314	4030017490	S.CER C1608 JB 1A 105K-T	B	8.5/13.9
J1302	6910003841	CNR IMSA-9230B-1-05Z003-PT1		
J1304	6910003851	CNR IMSA-9230B-1-06Z003-PT1		

[VCO-B BOARD]

REF NO.	ORDER NO.	DESCRIPTION	M.	H/V LOCATION
Q1201	1560000491	S.FET 2SK508-T2B-A K52	T	5.3/9.7
Q1202	1530003550	S.TR 2SC5193-T1	T	8/18.4
Q1203	1530002060	S.TR 2SC4081 T106 R	B	6.6/15.8
D1201	1720000261	S.VCP 1SV214 (TPH2,F)	T	32.8/9.1
D1202	1720000261	S.VCP 1SV214 (TPH2,F)	T	32.8/15.8
D1203	1720000261	S.VCP 1SV214 (TPH2,F)	T	31/9.1
D1204	1720000261	S.VCP 1SV214 (TPH2,F)	T	31/15.8
D1205	1720000261	S.VCP 1SV214 (TPH2,F)	T	29.3/9.1
D1206	1720000261	S.VCP 1SV214 (TPH2,F)	T	29.3/15.8
D1207	1750000581	S.DIO 1SV307 (TPH3,F)	T	2.5/25
D1208	1750000581	S.DIO 1SV307 (TPH3,F)	T	1.4/27.4
L1201	6200010780	S.COL C2520C-1R0G-A	T	35.9/6.6
L1202	6200010870	S.COL C2520C-R33G-A (0.33U)	T	34/12.5
L1204	6200010780	S.COL C2520C-1R0G-A	T	6/13
L1205	6200002041	S.COL NLV25T-101J	T	2.3/13.6
L1206	6200010780	S.COL C2520C-1R0G-A	T	8/28.7
R1202	7030003380	S.RES ERJ3GEYJ 331 V (330)	T	5.2/15.3
R1203	7030003440	S.RES ERJ3GEYJ 102 V (1 k)	B	5.8/13.6
R1204	7030003510	S.RES ERJ3GEYJ 392 V (3.9 k)	T	8/16.5
R1205	7030003460	S.RES ERJ3GEYJ 152 V (1.5 k)	T	8/15.3
R1206	7030003320	S.RES ERJ3GEYJ 101 V (100)	T	8/20.3
R1207	7030003320	S.RES ERJ3GEYJ 101 V (100)	T	7.2/24.9
R1208	7030003240	S.RES ERJ3GEYJ 220 V (22)	T	9.3/24.4
C1201	4030011340	S.CER C1608 CH 1H 471J-T	T	37.6/10
C1204	4030011340	S.CER C1608 CH 1H 471J-T	T	2.3/10.6
C1205	4030011340	S.CER C1608 CH 1H 471J-T	T	2.9/8.5
C1206	4030009350	S.CER C1608 CH 1H 3R5B-T	T	7.6/9.9
C1207	4030009910	S.CER C1608 CH 1H 040B-T	T	4.3/7
C1208	4030009510	S.CER C1608 CH 1H 010B-T	T	8.8/13
C1209	4550007860	S.TAN TMCMB1C336MTR	B	8.6/19.4
C1210	4030017810	S.CER C1608 CH 1H 102J-T	T	8/21.6
C1211	4030011600	S.CER C1608 JB 1E 104K-T	T	8/22.9
C1212	4030017810	S.CER C1608 CH 1H 102J-T	T	9.3/25.8
C1213	4030017810	S.CER C1608 CH 1H 102J-T	T	8/31.7
C1214	4030017490	S.CER C1608 JB 1A 105K-T	B	8.6/13.8
J1202	6910003831	CNR IMSA-9230B-1-04Z003-PT1		
J1204	6910003841	CNR IMSA-9230B-1-05Z003-PT1		

[VCO-C BOARD]

REF NO.	ORDER NO.	DESCRIPTION	M.	H/V LOCATION
Q1101	1560000491	S.FET 2SK508-T2B-A K52	T	5.3/9.7
Q1102	1530003550	S.TR 2SC5193-T1	T	8/18.4
Q1103	1530002060	S.TR 2SC4081 T106 R	B	6.3/16.1
D1101	1720000801	S.VCP 1SV290 (TPH3,F)	T	33.2/9.6
D1102	1720000801	S.VCP 1SV290 (TPH3,F)	T	33/15.5
D1103	1720000801	S.VCP 1SV290 (TPH3,F)	T	32/9.6
D1104	1720000801	S.VCP 1SV290 (TPH3,F)	T	31.8/15.5
D1105	1720000801	S.VCP 1SV290 (TPH3,F)	T	30.8/9.6
D1106	1720000801	S.VCP 1SV290 (TPH3,F)	T	30.6/15.5
L1101	6200010960	S.COL C2520C-R47G-A (0.47U)	T	35.9/6.6
L1102	6200010960	S.COL C2520C-R47G-A (0.47U)	T	34/12.5
L1104	6200010780	S.COL C2520C-1R0G-A	T	6/13
L1105	6200002041	S.COL NLV25T-101J	T	2.3/13.6
L1106	6200010780	S.COL C2520C-1R0G-A	T	8/28.7
R1102	7030003380	S.RES ERJ3GEYJ 331 V (330)	T	5.2/15.3
R1103	7030003440	S.RES ERJ3GEYJ 102 V (1 k)	B	6.2/13.7
R1104	7030003510	S.RES ERJ3GEYJ 392 V (3.9 k)	T	8/16.5
R1105	7030003460	S.RES ERJ3GEYJ 152 V (1.5 k)	T	8/15.3
R1106	7030003320	S.RES ERJ3GEYJ 101 V (100)	T	8/20.3
R1107	7030003320	S.RES ERJ3GEYJ 101 V (100)	T	7.2/24.9
R1108	7030003240	S.RES ERJ3GEYJ 220 V (22)	T	9.3/24.3
C1101	4030011340	S.CER C1608 CH 1H 471J-T	T	36.1/10
C1104	4030011340	S.CER C1608 CH 1H 471J-T	T	2.3/10.6
C1105	4030011340	S.CER C1608 CH 1H 471J-T	T	2.9/8.5
C1106	4030007010	S.CER C1608 CH 1H 100D-T	T	7.6/9.9
C1107	4030011770	S.CER C1608 CH 1H 060B-T	T	4.3/7
C1108	4030009510	S.CER C1608 CH 1H 010B-T	T	8.8/13
C1109	4550007860	S.TAN TMCMB1C336MTR	B	8.3/19.5
C1110	4030017810	S.CER C1608 CH 1H 102J-T	T	8/21.6
C1111	4030011600	S.CER C1608 JB 1E 104K-T	T	8/22.9
C1112	4030017810	S.CER C1608 CH 1H 102J-T	T	9.3/25.7
C1113	4030017810	S.CER C1608 CH 1H 102J-T	T	8/31.7
C1114	4030017490	S.CER C1608 JB 1A 105K-T	B	8.8/13.7
C1115	4030007010	S.CER C1608 CH 1H 100D-T	T	29.6/9.5
C1116	4030007010	S.CER C1608 CH 1H 100D-T	T	29.4/15.5
J1102	6910003821	CNR IMSA-9230B-1-03Z003-PT1		
J1104	6910003831	CNR IMSA-9230B-1-04Z003-PT1		

M.=Mounted side (T: Mounted on the Top side B: Mounted on the Bottom side) S.=Surface mount

SECTION 6

MECHANICAL PARTS

[CHASSIS PARTS]

REF NO.	ORDER NO.	DESCRIPTION	QTY.
J1	6510000370	MR-DS	1
J2	6510000330	NR-DS	2
P1	6510003240	TMP-P01X-A1 *	1
P2	6510003240	TMP-P01X-A1 *	1
P3	6510003240	TMP-P01X-A1 *	1
P4	6510003240	TMP-P01X-A1 *	1
P7	6510003240	TMP-P01X-A1 *	1
P8	6510003240	TMP-P01X-A1 *	1
P9	6510003240	TMP-P01X-A1 *	1
P10	6510003240	TMP-P01X-A1 *	1
P11	6510003240	TMP-P01X-A1 *	1
P12	6510003240	TMP-P01X-A1 *	1
P13	6510003240	TMP-P01X-A1 *	1
P14	6510003240	TMP-P01X-A1 *	1
P15	6510003240	TMP-P01X-A1 *	1
P16	6510003240	TMP-P01X-A1 *	1
P17	6510003240	TMP-P01X-A1 *	1
P18	6510003240	TMP-P01X-A1 *	1
P19	6510003240	TMP-P01X-A1 *	1
P20	6510003240	TMP-P01X-A1 *	1
P21	6510003240	TMP-P01X-A1 *	1
P22	6510003240	TMP-P01X-A1 *	1
P25	6510003240	TMP-P01X-A1 *	1
P26	6510003240	TMP-P01X-A1 *	1
P27	6510003240	TMP-P01X-A1 *	1
P28	6510003240	TMP-P01X-A1 *	1
P29	6510003240	TMP-P01X-A1 *	1
P30	6510003240	TMP-P01X-A1 *	1
P33	6510003240	TMP-P01X-A1 *	1
P34	6510003240	TMP-P01X-A1 *	1
P35	6510003240	TMP-P01X-A1 *	1
P36	6510003240	TMP-P01X-A1 *	1
W1	9024940010	62/99/420/C31/C31	1
W2	9086700300	Wire 08	1
W3	9025900620	62/99/510/C31/C31	1
W4	9086700300	Wire 08	1
W5	8900016500	OPC-1724	1
W7	9025900560	62/99/330/C31/C31	1
W8	9086700300	Wire 08	1
W9	9025900540	62/99/270/C31/C31	1
W10	9086700300	Wire 08	1
W11	9025900220	62/99/390/C31/C31	1
W12	9086700300	Wire 08	1
W13	9025900110	62/99/300/C31/C31	1
W14	9086700300	Wire 08	1
W15	9025900630	62/99/570/C31/C31	1
W16	9086700300	Wire 08	1
W17	9025900600	62/99/480/C31/C31	1
W18	9086700300	Wire 08	1
W19	9025900540	62/99/270/C31/C31	1
W20	9086700300	Wire 08	1
W21	9025900290	62/99/150/C31/C31	1
W22	9086700300	Wire 08	1
W25	9028440030	62/99/630/C31/C31	1
W26	9086700300	Wire 08	1
W27	9028440060	62/99/750/C31/C31	1
W28	9086700300	Wire 08	1
W29	9025900280	62/99/600/C31/C31	1
W30	9086700300	Wire 08	1
W31	8900016290	OPC-1706	1
W33	9028440050	62/99/70/C31/C31	1
W34	9086700300	Wire 08	1
W35	9025900560	62/99/330/C31/C31	1
W36	9086700300	Wire 08	1
W41	8900016060	OPC-1674	1
W42	8900015631	OPC-1593A	1
W43	8900015760	OPC-1609	1
W44	8900015760	OPC-1609	1
W46	8900015670	OPC-1597	1
W51	8900015720	OPC-1605	1
W52	8900015730	OPC-1606	1
W53	8900015740	OPC-1607	1
W54	8900015750	OPC-1608	1
W55	8900015760	OPC-1609	1
W56	8900015770	OPC-1635	1
W57	8900016300	OPC-1704	1
W58	8900016280	OPC-1705	1
W61	8900016230	OPC-1699	1
W62	8900016210	OPC-1696	1
W63	8900016200	OPC-1695	1
W64	8900014730	OPC-683A	1
W65	8900016170	OPC-1692	1
W66	8900016190	OPC-1694	1
W67	8900016190	OPC-1694	1
W68	8900016180	OPC-1693	1
W69	8900016110	OPC-1680	1
W70	8900016120	OPC-1683	1
W71	8900014750	OPC-519A	1

[CHASSIS PARTS]

REF NO.	ORDER NO.	DESCRIPTION	QTY.
W72	8900015150	OPC-911A	1
W73	8900016160	OPC-1691	1
W74	8900016240	OPC-1700	1
W75	8900016240	OPC-1700	1
W76	8900015150	OPC-911A	1
W77	8900016160	OPC-1691	1
W78	8900016100	OPC-1678	1
W79	8900016390	OPC-1713	1
EP1	6910011960	ZCAT1518-0730	1
EP2	6910011960	ZCAT1518-0730	1
EP3	6910011960	ZCAT1518-0730	1
MP1	8010020071	2844 CHASSIS-1	1
MP2	8210023981	2844 REAR PANEL (A)-1	1
MP3	8930070470	2844 C-PCB ANGLE	1
MP4	8930070490	2844 CF PLATE	1
MP5	8110008920	2844 LOGIC M-COVER	1
MP6	8110008930	2844 REG S-COVER	1
MP7	8510017050	2844 RF PLATE	1
MP8	8510017040	2844 P-B PLATE	1
MP9	8110008480	2844 L-COVER	1
MP10	8110008471	2844 U-COVER-1	1
MP12	8930070460	2844 RF-B PLATE	1
MP20	8930066500	2844 MAIN PLATE	1
MP21	8510017100	2844 DC-DC COVER	1
MP25	8510017110	2844 SCOPE COVER	1
MP26	8510017030	2844 SCOPE CASE	1
MP27	8930066310	2844 U-FRONT PLATE	1
MP28	8930066300	2844 L-FRONT PLATE	1
MP29	8930067750	2844 SIDE PLATE	2
MP30	8820001371	2844 A-SCREW-1	6
MP31	8820001391	2844 C-SCREW-1	6
MP32	8930067760	2844 RACK ANGLE	2
MP35	8510011940	2177 PLATE	2
MP36	8930052450	2355 EARTH PLATE	1
MP37	8930049050	2263 ANT PLATE	2
MP38	8930020860	IC-HOLDER (FX-969)	3
MP40	8930066360	2844 SIDE STAND	4
MP41	8930066370	2844 MAIN STAND	4
MP42	8930066340	2844 B-STAND RUBBER	8
MP43	8930066350	2844 A-STAND RUBBER	4
MP44	8110008460	2844 REAR COVER	1
MP45	8930072140	MR PROTECTION CAP	3
MP50	8810008661	Screw BT B0 3X8 NI-ZC3 (BT)	10
MP51	8810008661	Screw BT B0 3X8 NI-ZC3 (BT)	9
MP52	8810008661	Screw BT B0 3X8 NI-ZC3 (BT)	10
MP53	8810008661	Screw BT B0 3X8 NI-ZC3 (BT)	4
MP54	8810008661	Screw BT B0 3X8 NI-ZC3 (BT)	4
MP55	8810008661	Screw BT B0 3X8 NI-ZC3 (BT)	15
MP56	8810008661	Screw BT B0 3X8 NI-ZC3 (BT)	12
MP57	8810008661	Screw BT B0 3X8 NI-ZC3 (BT)	8
MP58	8810008661	Screw BT B0 3X8 NI-ZC3 (BT)	5
MP59	8810008661	Screw BT B0 3X8 NI-ZC3 (BT)	4
MP60	8810008661	Screw BT B0 3X8 NI-ZC3 (BT)	4
MP61	8810008661	Screw BT B0 3X8 NI-ZC3 (BT)	4
MP62	8810008661	Screw BT B0 3X8 NI-ZC3 (BT)	6
MP63	8810008661	Screw BT B0 3X8 NI-ZC3 (BT)	9
MP64	8810008661	Screw BT B0 3X8 NI-ZC3 (BT)	9
MP65	8810009991	Screw BT B0 3X8 NI-ZK3 (BT)	8
MP66	8810009991	Screw BT B0 3X8 NI-ZK3 (BT)	6
MP67	8810009461	Screw M3X8 ZK3	4
MP69	8810007231	Setscrew (H) 3X8 ZC3	8
MP70	8810007231	Setscrew (H) 3X8 ZC3	3
MP71	8810007231	Setscrew (H) 3X8 ZC3	14
MP72	8810005771	Screw BiH M3X8 ZK3	8
MP73	8810005771	Screw BiH M3X8 ZK3	4
MP74	8820001401	2844 D-SCREW-1	10
MP75	8820001401	2844 D-SCREW-1	11
MP76	8810004621	Screw PH M4X8 ZK3	2
MP81	8810007231	Setscrew (H) 3X8 ZC3	6
MP82	8810007231	Setscrew (H) 3X8 ZC3	5
MP83	8810007231	Setscrew (H) 3X8 ZC3	6
MP89	8810007231	Setscrew (H) 3X8 ZC3	7
MP90	8810007231	Setscrew (H) 3X8 ZC3	6
MP91	8810004621	Screw PH M4X8 ZK3	10
MP92	8810009991	Screw BT B0 3X8 NI-ZK3 (BT)	5
MP94	8810005771	Screw BiH M3X8 ZK3	2
MP95	8930071510	2844 RF-B SPRING	1
MP96	8930071680	ANP-1D	1
MP97	8930071690	PJ-13B	3
MP98	8930071700	PJ-21B	3
MP99	8950003640	Coating clip CS-2	2
MP102	8930057311	Shield sponge (I)-1	1
MP104	8930071810	SPONGE (JK)	1
MP105	8930071740	Shield sponge (BQ)	1
MP106	8930071760	Shield sponge (BS)	1
MP107	8930071750	Shield sponge (BR)	1
MP108	8930071730	Shield sponge (BP)	8
MP109	8930071800	FERRITE SHEET (R)	2

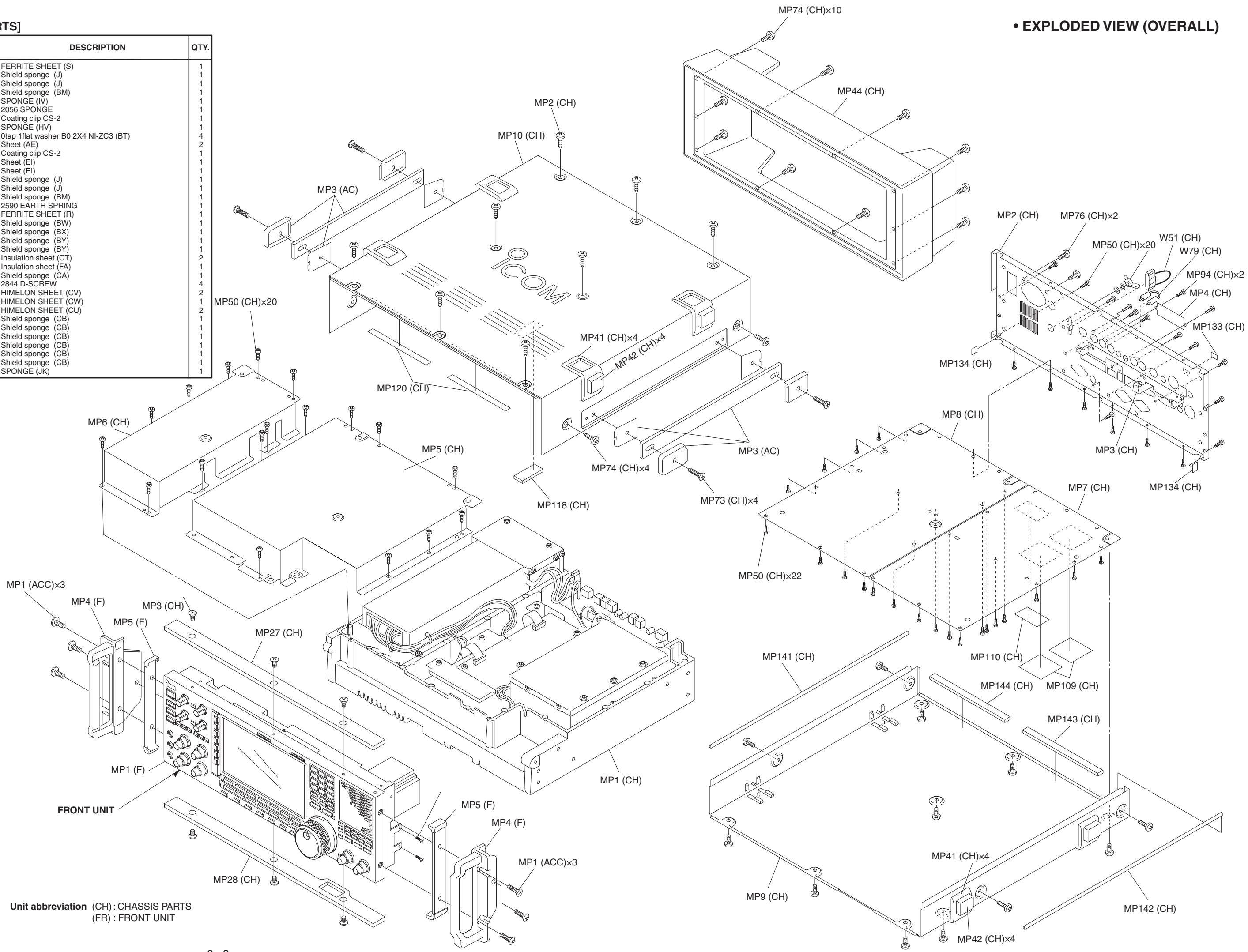
*: Refer to SECTION 7 BOARD LAYOUTS.

Screw abbreviations A B0 BT: Self-tapping PH: Pan head ZK: Black NI-ZU: Nickel-Zinc SUS: Stainless

[CHASSIS PARTS]

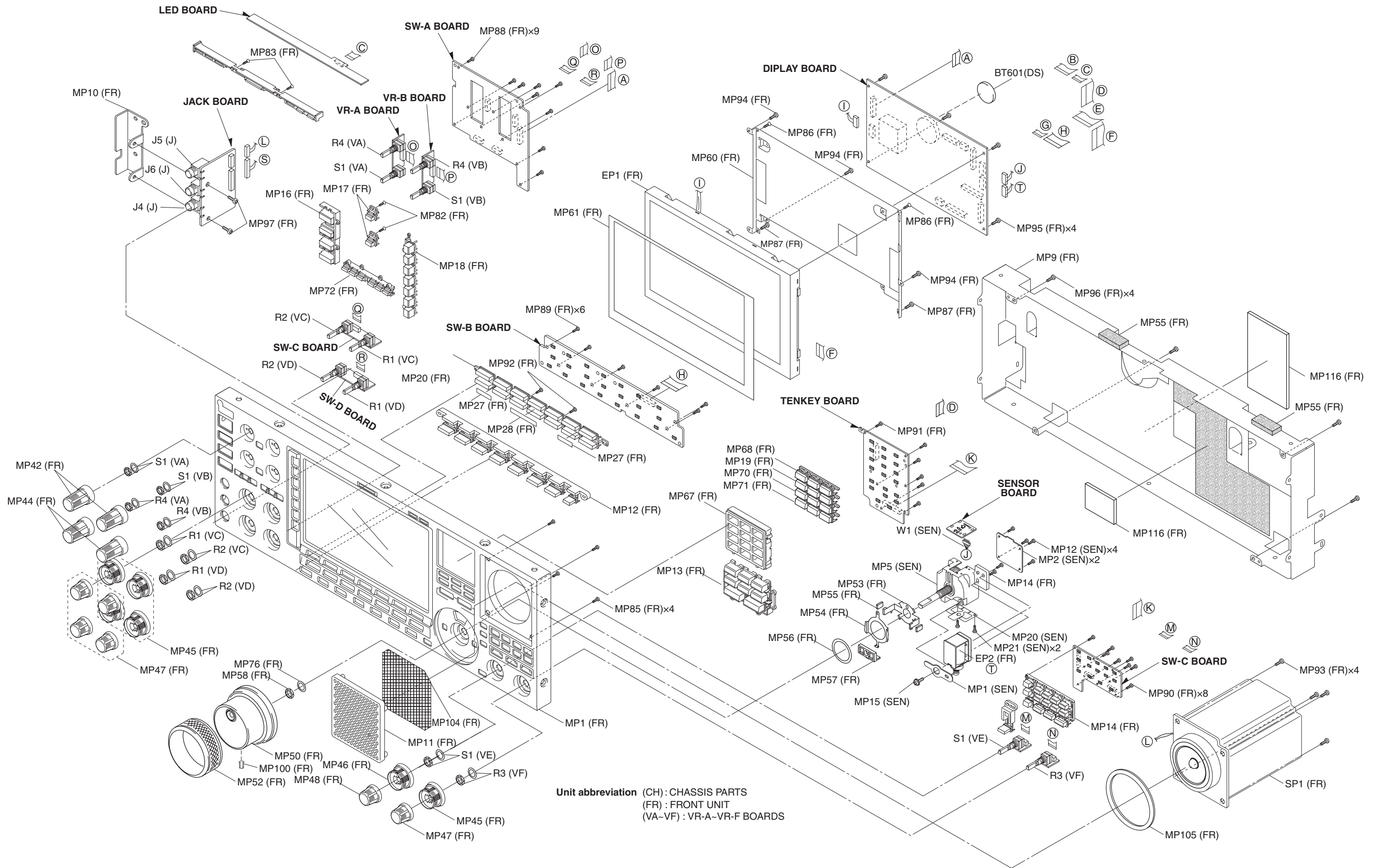
REF NO.	ORDER NO.	DESCRIPTION	QTY.
MP110	8930072090	FERRITE SHEET (S)	1
MP111	8930057730	Shield sponge (J)	1
MP112	8930057730	Shield sponge (J)	1
MP113	8930071550	Shield sponge (BM)	1
MP114	8930069610	SPONGE (IV)	1
MP115	8930045920	2056 SPONGE	1
MP116	8950003640	Coating clip CS-2	1
MP118	8930063260	SPONGE (HV)	1
MP119	8810008641	Otap 1flat washer B0 2X4 NI-ZC3 (BT)	4
MP120	8930023850	Sheet (AE)	2
MP121	8950003640	Coating clip CS-2	1
MP122	8930039870	Sheet (EI)	1
MP123	8930039870	Sheet (EI)	1
MP124	8930057730	Shield sponge (J)	1
MP125	8930057730	Shield sponge (J)	1
MP126	8930071550	Shield sponge (BM)	1
MP127	8930063270	2590 EARTH SPRING	1
MP128	8930071800	FERRITE SHEET (R)	1
MP129	8930072410	Shield sponge (BW)	1
MP130	8930072420	Shield sponge (BX)	1
MP131	8930072430	Shield sponge (BY)	1
MP132	8930072430	Shield sponge (BY)	1
MP134	8930029060	Insulation sheet (CT)	2
MP135	8930043540	Insulation sheet (FA)	1
MP136	8930072720	Shield sponge (CA)	1
MP137	8820001400	2844 D-SCREW	4
MP138	8930072740	HIMELON SHEET (CV)	2
MP139	8930072750	HIMELON SHEET (CW)	2
MP140	8930072730	HIMELON SHEET (CU)	2
MP141	8930072890	Shield sponge (CB)	1
MP142	8930072890	Shield sponge (CB)	1
MP143	8930072890	Shield sponge (CB)	1
MP144	8930072890	Shield sponge (CB)	1
MP145	8930072890	Shield sponge (CB)	1
MP146	8930072890	Shield sponge (CB)	1
MP147	8930071810	SPONGE (JK)	1

• EXPLODED VIEW (OVERALL)



Unit abbreviation (CH) : CHASSIS PARTS
(FR) : FRONT UNIT

• EXPLODED VIEW (FRONT UNIT)



[FRONT UNIT]

REF NO.	ORDER NO.	DESCRIPTION	QTY.
SP1	2510001390	2844 SP BOX	1
W1	8900016130	OPC-1684	1
W2	8900016130	OPC-1684	1
W3	8900016140	OPC-1690	1
W4	8900016150	OPC-1679	1
W5	8900007682	OPC-741A-1	1
W6	8900015490	OPC-1450A	1
W7	8900017130	OPC-926A	1
W8	8900014750	OPC-519A	1
W9	8900016130	OPC-1684	1
W10	8900016130	OPC-1684	1
W11	8900016130	OPC-1684	1
W12	8900016130	OPC-1684	1
EP1	6910015291	LTA070B790F	1
EP2	6910017310	JSM5035-010100	1
MP1	8210021930	2844 FRONT PANEL	1
MP2	8930066310	2844 U-FRONT PLATE	1
MP3	8930066300	2844 L-FRONT PLATE	1
MP4	8930067760	2844 RACK ANGLE	2
MP5	8930067750	2844 SIDE PLATE	2
MP6	8820001370	2844 A-SCREW	6
MP7	8820001380	2844 B-SCREW	4
MP8	8820001390	2844 C-SCREW	1
MP9	8010020080	2844 SUB CHASSIS	6
MP10	8930066190	2844 JACK PLATE	1
MP11	8210021860	2844 SP PANEL	1
MP12	8610012510	KNOB K-259	1
MP13	8610012520	KNOB K-260	1
MP14	8610012530	KNOB K-261	1
MP15	8610012540	KNOB K-262	1
MP16	8610012670	KNOB K-231 (A)-1	1
MP17	8610012610	KNOB K-232 (A)-1	2
MP18	8610012600	KNOB K-233 (A)-1	1
MP19	8610012650	KNOB K-235 (A)-1	1
MP20	8610012590	KNOB K-236 (A)-1	1
MP21	8310064660	2590 NAME PLATE (A)	1
MP22	8930060662	2590 LENS HOLDER-2	1
MP23	8930060630	2590 A-LENS	3
MP24	8930060570	2590 B-LENS	11
MP25	8930060670	2590 D-LENS	2
MP26	8930060680	2590 E-LENS	1
MP27	8930062190	DOUBLE SIDE TAPE (AJ)	2
MP28	8930062180	DOUBLE SIDE TAPE (AK)	1
MP29	8930062170	DOUBLE SIDE TAPE (AL)	2
MP30	8930062910	DOUBLE SIDE TAPE (AO)	2
MP42	8610012460	KNOB N-332	2
MP43	8610012470	KNOB N-332 RING	4
MP44	8610012480	KNOB N-333	2
MP45	8610012490	KNOB N-334	5
MP46	8610012500	KNOB N-335	1
MP47	8610012690	KNOB N-310 (B)	5
MP48	8610012680	KNOB N-301 (A)	1
MP49	8610007420	knob spring NO.6601	10
MP50	8610012440	KNOB N-336 BASE	1
MP51	8610012450	KNOB N-336 RING	1
MP52	8610012710	KNOB N-309 COVER (A)	1
MP53	8930061460	2590 BRAKE SPACER	1
MP54	8930061470	2590 BRAKE PLATE	1
MP55	8930061731	SPONGE (HI)-1	2
MP56	8850002010	PLAIN WASHER (AG)	1
MP57	8930066710	2844 BRAKE BUTTON	1
MP58	8830001410	1897 NUT	1
MP59	8610012700	Knob N-239 FINGER REST (A)	1
MP60	8930060592	2590 LCD HOLDER-2	1
MP61	8930061620	2590 LCD SPONGE	1
MP67	8210022130	2590 10-KEY PANEL (A)-1	1
MP68	8610012620	KNOB K-234 (C)-1	1
MP70	8610012630	KNOB K-234 (D)-1	1
MP71	8610012640	KNOB K-234 (E)-1	1
MP72	8610012661	KNOB K-230 (A)-2	1
MP76	8850001941	TOOTHED WASHER (A) M9 (SP) ZC3	1
MP81	8810009181	Otap 1flat washer B0 2X5 NI-ZC3 (BT)	3
MP82	8810009181	Otap 1flat washer B0 2X5 NI-ZC3 (BT)	2
MP83	8810009181	Otap 1flat washer B0 2X5 NI-ZC3 (BT)	2
MP84	8810009181	Otap 1flat washer B0 2X5 NI-ZC3 (BT)	1
MP85	8810009181	Otap 1flat washer B0 2X5 NI-ZC3 (BT)	4
MP86	8810008971	Otap 1flat washerB0 2X3.5NI-ZC3 (BT)	2
MP87	8810005701	0-tap screw PH M2X4 ZK3	2
MP88	8810008761	Screw BT B0 2X8 NI-ZC3 (BT)	9
MP89	8810008761	Screw BT B0 2X8 NI-ZC3 (BT)	6
MP90	8810008761	Screw BT B0 2X8 NI-ZC3 (BT)	8
MP91	8810008761	Screw BT B0 2X8 NI-ZC3 (BT)	6
MP92	8810008761	Screw BT B0 2X8 NI-ZC3 (BT)	2
MP93	8810008661	Screw BT B0 3X8 NI-ZC3 (BT)	4
MP94	8810008631	Screw BT B0 3X6 NI-ZC3 (BT)	3
MP95	8810008631	Screw BT B0 3X6 NI-ZC3 (BT)	4
MP96	8810008631	Screw BT B0 3X6 NI-ZC3 (BT)	4
MP97	8810008631	Screw BT B0 3X6 NI-ZC3 (BT)	2
MP98	8810008631	Screw BT B0 3X6 NI-ZC3 (BT)	2
MP99	8810008661	Screw BT B0 3X8 NI-ZC3 (BT)	2
MP100	8810003560	Hex stop screw M4X6 SUS	1
MP104	8930070760	2844 SP NET	1
MP105	8930070770	2844 SP SPONGE	1
MP106	8310068420	2844 WINDOW PLATE	1

[FRONT UNIT]

REF NO.	ORDER NO.	DESCRIPTION	QTY.
MP107	8930071770	2844 K-236 SHEET	1
MP108	8930071780	2844 K-260 SHEET	1
MP109	8930071790	2844 K-261 SHEET	1
MP110	8930063260	SPONGE (HV)	3
MP112	8930071840	HIMELON SHEET (CT)	1
MP113	8930062180	DOUBLE SIDE TAPE (AK)	4
MP114	8930062170	DOUBLE SIDE TAPE (AL)	1
MP115	8930072620	2844 K-231 SHEET	1
MP116	8930072870	SPONGE (JP)	12
MP117	8930072760	2844 SUB SHEET	1
MP118	8930063260	SPONGE (HV)	1
MP119	8930072990	2844 AL SHEET	1
MP120	8930062950	Shield sponge (AF)	3
MP121	8930063510	EMBOSS TAPE (L)	1
MP122	8930063500	EMBOSS TAPE (M)	1
MP123	8930063490	EMBOSS TAPE (N)	2
MP124	8930063540	2590 A-EARTH SPRING	1
MP125	8930063790	Shield sponge (AI)	1
MP126	8930063790	Shield sponge (AI)	1
MP127	8930072900	Shield sponge (CC)	1
MP128	8930062950	Shield sponge (AF)	1
MP129	8930062950	Shield sponge (AF)	1

[DISPLAY UNIT]

REF NO.	ORDER NO.	DESCRIPTION	QTY.
J1*	6510021721	30FLT-SM2-TB (LF) (SN)	1
J3*	6510021721	30FLT-SM2-TB (LF) (SN)	1
J4*	6510021561	52808-2470	1
J5*	6510019971	52808-1071	1
J7*	6510019971	52808-1071	1
J201*	6510022471	40FLT-SM2-TB (LF) (SN)	1
J202*	6510022471	40FLT-SM2-TB (LF) (SN)	1
J203*	6510020081	52808-2071	1
J301*	6510021181	SM02 (8.0)B-BHS-1-TB (LF) (SN)	1
J601	6510021861	BH-800-4GG	1
J610*	6510022191	B3B-PH-SM4-TB (LF) (SN)	1
J611*	6510022311	B5B-PH-SM4-TB (LF) (SN)	1
BT601	3020000110	CR2032	1
T201	5910001050	3319-T106-LF	1
EP203	6910014730	MPZ2012S331A	1
EP205	6910014730	MPZ2012S331A	1
EP208	6910014730	MPZ2012S331A	1
MP1	8930063860	2590 C-EARTH SPRING	1
MP2	8930063270	2590 EARTH SPRING	1
MP3	8930063270	2590 EARTH SPRING	1
MP301	8510015390	2591 REG PLATE	1
MP302	8510015390	2591 REG PLATE	1

[VR-A BOARD]

REF NO.	ORDER NO.	DESCRIPTION	QTY.
R4	7210003170	RV-318	1
J1*	6510020091	52808-0871	1
S1	2250000440	TP90N00E20-22.5-2494	1

[VR-B BOARD]

REF NO.	ORDER NO.	DESCRIPTION	QTY.
R4	7210003170	RV-318	1
J1*	6510020091	52808-0871	1
S1	2250000440	TP90N00E20-22.5-2494	1

[VR-C BOARD]

REF NO.	ORDER NO.	DESCRIPTION	QTY.
R1	7210002970	RV-314 (RK0972210 10KB/10KB)	1
R2	7210002970	RV-314 (RK0972210 10KB/10KB)	1
J2*	6510020091	52808-0871	1

[VR-D BOARD]

REF NO.	ORDER NO.	DESCRIPTION	QTY.
R1	7210002970	RV-314 (RK0972210 10KB/10KB)	1
R2	7210002970	RV-314 (RK0972210 10KB/10KB)	1
J2*	6510020091	52808-0871	1

*: Refer to SECTION 7 BOARD LAYOUTS.

Screw abbreviations A B0 BT: Self-tapping PH: Pan head ZK: Black NI-ZU: Nickel-Zinc SUS: Stainless

[VR-E BOARD]

REF NO.	ORDER NO.	DESCRIPTION	QTY.
J1*	6510020091	52808-0871	1
S1	2250000410	TP90D96E20-30F-2178-1	1

[VR-F BOARD]

REF NO.	ORDER NO.	DESCRIPTION	QTY.
R3	7210002970	RV-314 (RK0972210 10KB/10KB)	1
J1*	6510020091	52808-0871	1

[SENSOR UNIT]

REF NO.	ORDER NO.	DESCRIPTION	QTY.
W1	8900015710	OPC-1604	1
MP1	8930065891	2844 CLICK PLATE-1	1
MP2	8930071030	2844 S-COVER	1
MP3	8930065880	2844 SENSOR PLATE	1
MP4	8930065850	2844 SENSOR SPACER	1
MP5	8010020000	2844 SENSOR CHASSIS	1
MP6	8930065860	2844 P125 PLATE	1
MP7	8930065870	2844 P50 PLATE	1
MP8	8930056390	2500 SHAFT	1
MP9	8850001930	2500 SPRING	1
MP10	8930056351	2500 PLATE-1	1
MP11	8950006460	STEEL BALL D=2.5	1
MP12	8810000101	Screw PH M2X4 ZK3	4
MP13	8810010191	Screw BiH M2X4 SUS SSBC	4
MP14	8810009141	Screw PH M2.6X6 ZK3	2
MP15	8810003361	Setscrew (C) 3X6 ZC3	1
MP16	8850001970	C-ring M5 (stuck 200)	1
MP17	8850001900	Insulation Flat washer (AE)	1
MP18	8850000730	Insulation Flat washer (C)	1
MP19	8810003850	Otap type 3 PH B0 1.4X2.5 NI	4
MP20	8930071040	2844 CLICK SPRING	1
MP21	8810000101	Screw PH M2X4 ZK3	2

[MAIN UNIT]

REF NO.	ORDER NO.	DESCRIPTION	QTY.
J1	6510007020	TMP-J01X-V6	1
J21*	6510018961	B2B-PH-SM4-TB (LF) (SN)	1
J41*	6510019981	52808-1671	1
J61*	6510021721	30FLT-SM2-TB (LF) (SN)	1
J91*	6510018961	B2B-PH-SM4-TB (LF) (SN)	1
J1101*	6510019971	52808-1071	1
J2401*	6510019971	52808-1071	1
J3201	6510007020	TMP-J01X-V6	1
J3251*	6510025960	AXN330C238P	1
J3252*	6510021721	30FLT-SM2-TB (LF) (SN)	1

[LOGIC UNIT]

REF NO.	ORDER NO.	DESCRIPTION	QTY.
J1*	6510022490	AXK5S30045P	1
J2*	6510019870	AXK5S40045P	1
J52*	6510023261	B6B-PH-SM4-TB (LF) (SN)	1
J102*	6510019981	52808-1671	1
J604*	6510019971	52808-1071	1
J801	6510003441	B08B-EH-S (LF) (SN)	1
J802	6510003461	B10B-EH-S (LF) (SN)	1
J803*	6510020251	B9B-PH-SM4-TB (LF) (SN)	1
J805*	6510020081	52808-2071	1
J806*	6510022471	40FLT-SM2-TB (LF) (SN)	1
J811*	6510021721	30FLT-SM2-TB (LF) (SN)	1
J812*	6510021721	30FLT-SM2-TB (LF) (SN)	1
J813*	6510024151	50FY-BMT-TB (LF) (SN)	1
J814*	6510019981	52808-1671	1
J815*	6510021721	30FLT-SM2-TB (LF) (SN)	1
J816*	6510024521	12FLT-SM2-TB (LF) (SN)	1
J817*	6510020081	52808-2071	1
J818*	6510019971	52808-1071	1
J819*	6510021721	30FLT-SM2-TB (LF) (SN)	1
J820*	6510019981	52808-1671	1
J821*	6510019981	52808-1671	1
J822*	6510020521	52808-1271	1
J851*	6510018961	B2B-PH-SM4-TB (LF) (SN)	1
J852*	6510018961	B2B-PH-SM4-TB (LF) (SN)	1
J853*	6510019981	52808-1671	1
J900*	6510021721	30FLT-SM2-TB (LF) (SN)	1
S51*	2260001890	SKQDPA *	1
MP101	8510016490	2590 LOGIC B-PLATE	1
MP103	8930063300	AL SHEET (AK)	1
MP203	8510016500	2590 LOGIC A-PLATE	1
MP806	8930059122	THERMALLY SHEET (AJ)-2	1

[SCOPE/TV UNIT]

REF NO.	ORDER NO.	DESCRIPTION	QTY.
J301*	6510018961	B2B-PH-SM4-TB (LF) (SN)	1
J401*	6510020081	52808-2071	1
J1001	6510007020	TMP-J01X-V6	1
J1301	6510007020	TMP-J01X-V6	1
J1601*	6510018961	B2B-PH-SM4-TB (LF) (SN)	1
J2001	6510007020	TMP-J01X-V6	1
J2301	6510007020	TMP-J01X-V6	1
MP1001	8510014870	2577 RX-VCO CASE	1
MP1081	8930014140	earth spring (D)	1
MP1102	8510017880	2844 MIX A-CASE	1
MP1403	8510015880	2590 S2LO CASE	1
MP1404	8930017190	earth spring (F)	1
MP1702	8510012400	2177 D/A CASE	1
MP2202	8510017880	2844 MIX A-CASE	1

[CONNECT-A UNIT]

REF NO.	ORDER NO.	DESCRIPTION	QTY.
J1	6510023671	TCS4480-0141577	1
J2	6510023720	LGY6501-0600C	1
J3	6510023120	CD6109SA1J0	1
J4*	6510018961	B2B-PH-SM4-TB (LF) (SN)	1
J101	6450001941	KEY-15S-2A3A (LF) (SN)	1
J201	6510024040	TM11R-5M2-88-LP	1
J202*	6510020251	B9B-PH-SM4-TB (LF) (SN)	1
J301	6510025640	JFJ3004-010010	1
J401*	6510021721	30FLT-SM2-TB (LF) (SN)	1
J501*	6510025670	31-5620-050-719-871+	1
J502*	6510024151	50FY-BMT-TB (LF) (SN)	1
J602	6510024032	UBA-4R-D10T-4D (LF) (SN)	1
J603*	6510024521	12FLT-SM2-TB (LF) (SN)	1
EP3	0800009560	SDCFJ-128-388 *	1
MP1	8850001860	Flat washer M3 SUS 3X6X0.5	2
MP2	8850000420	S-washer M3 NI	2
MP3	8930071850	2844 A-C SPRING	1

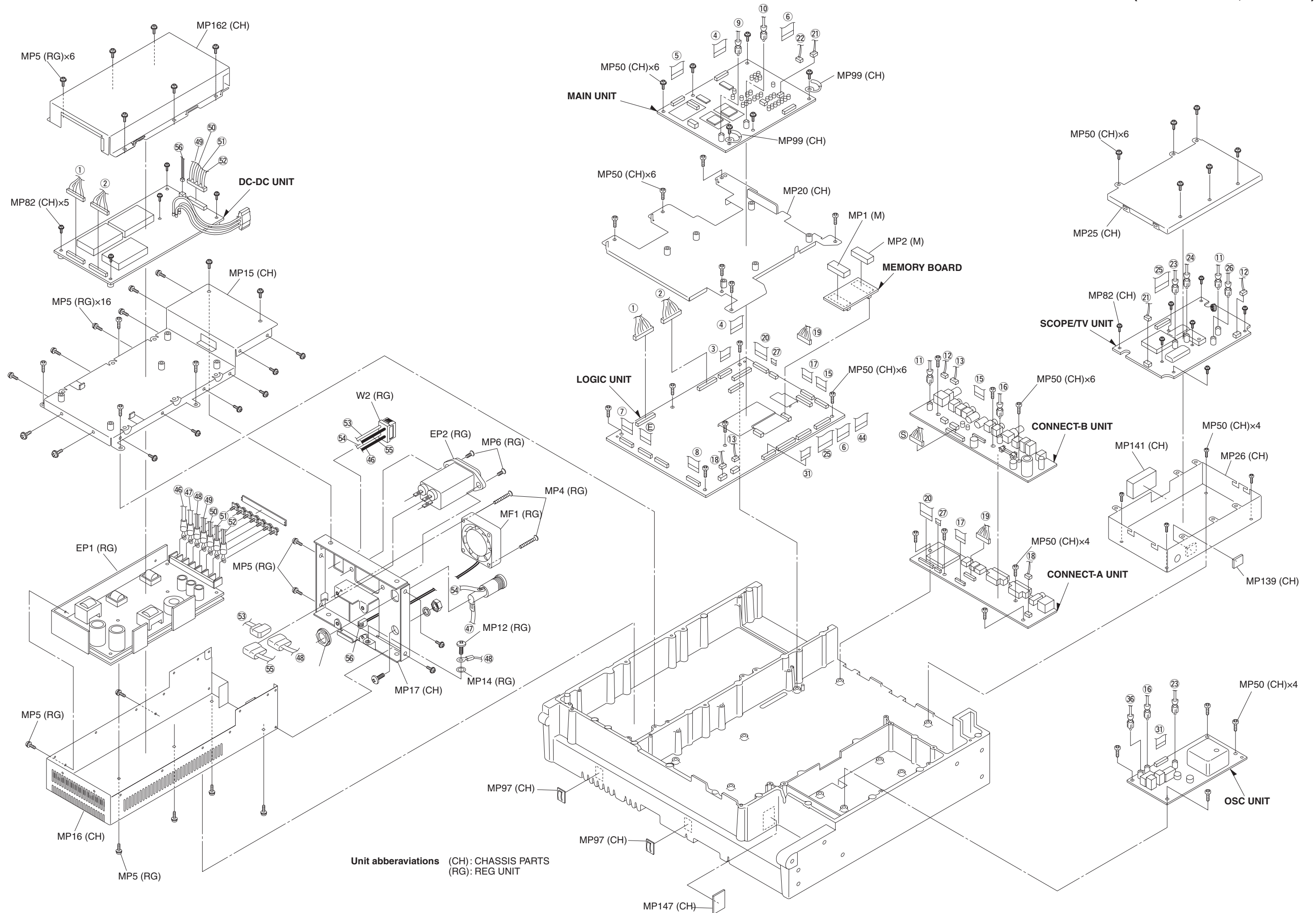
[CONNECT-B UNIT]

REF NO.	ORDER NO.	DESCRIPTION	QTY.
RL1	6330001790	ATX203	1
RL121	6330001721	ATN207-K1	1
RL401	6330001790	ATX203	1
J1	6510023720	LGY6501-0600C	1
J101	6510024940	HEC2305-016250	1
J111	6510023671	TCS4480-0141577	1
J181	6510023720	LGY6501-0600C	1
J201	6510023750	01K1971-10	1
J202	6510007020	TMP-J01X-V6	1
J301	6450001130	JPJ2042-01-110	1
J401	6510023720	LGY6501-0600C	1
J501	6510023720	LGY6501-0600C	1
J601	6450001130	JPJ2042-01-110	1
J602*	6510018961	B2B-PH-SM4-TB (LF) (SN)	1
J603*	6510022191	B3B-PH-SM4-TB (LF) (SN)	1
J701	6450001800	JPJ1044-01-010	1
J702	6510007020	TMP-J01X-V6	1
J801	6510023750	01K1971-10	1
J802	6510007020	TMP-J01X-V6	1
J901*	6510021721	30FLT-SM2-TB (LF) (SN)	1
J902*	6510022801	B10B-PH-SM4-TB (LF) (SN)	1
F101	5220000230	S-N5054 #01	1
F102	5220000230	S-N5054 #01	1
F103	5210000031	FG B 1A PBF	1

*: Refer to SECTION 7 BOARD LAYOUTS.

Screw abbreviations A B0 BT: Self-tapping PH: Pan head ZK: Black NI-ZU: Nickel-Zinc SUS: Stainless

• EXPLODED VIEW (CHASSIS UNIT; TOP SIDE)



[DC-DC UNIT]

REF NO.	ORDER NO.	DESCRIPTION	QTY.
RL101	6330001060	APQ3311	1
RL102	6330001060	APQ3311	1
J1	6510003461	B10B-EH-S (LF) (SN)	1
J2	6510003441	B08B-EH-S (LF) (SN)	1
J4	6510003441	B08B-EH-S (LF) (SN)	1
J7	6510014961	B2B-ZR-SM4-TF (LF) (SN)	1
F141*	5210001040	ICP-S1.2	1
F142*	5210001040	ICP-S1.2	1
F143*	5210001050	ICP-S0.5	1
F144*	5210001050	ICP-S0.5	1
F145*	5210001040	ICP-S1.2	1
F146*	5210001040	ICP-S1.2	1
W1	8900015610	OPC-1591	1
MP1	8510015720	2590 DC-DC A-CASE	1
MP3	8930068260	THERMALLY SHEET (AV)	1
MP21	8510015720	2590 DC-DC A-CASE	1
MP23	8930068260	THERMALLY SHEET (AV)	1
MP41	8510015720	2590 DC-DC A-CASE	1
MP43	8930068260	THERMALLY SHEET (AV)	1

[OSC UNIT]

REF NO.	ORDER NO.	DESCRIPTION	QTY.
RL10	6330001750	FTR-B4CA012Z	1
RL11	6330001750	FTR-B4CA012Z	1
J2*	6510019971	52808-1071	1
J71	6510007020	TMP-J01X-V6	1
J72	6510007020	TMP-J01X-V6	1
J73	6510007020	TMP-J01X-V6	1

[REG UNIT]

REF NO.	ORDER NO.	DESCRIPTION	QTY.
F1	5210000131	FGB 4A PBF [USA], [USA-01]	1
	5210001030	0234002MXP [others]	1
F2	5220000380	F-400-01A1 [USA], [USA-01]	1
	5220000390	F-400-01A2 [others]	1
MF1	2710000810	FD124010HB-1N7	1
W1	8900015620	OPC-1592	1
W2	8900015681	OPC-1598A	1
W3	8900015690	OPC-1600	1
W4	8900015700	OPC-1602	1
EP1	6910016800	PBA150F-15	1
EP2	6910017300	ZUG2206-11S	1
MP1	8510017020	2844 REG CASE	1
MP2	8510017090	2844 REG COVER	1
MP3	8930068520	2844 REG T-PLATE	1
MP4	8810008460	Setscrew (H) 2.6X16 NI	2
MP5	8810007231	Setscrew (H) 3X8 ZC3	26
MP6	8810009461	Screw M3X8 ZK3	2
MP7	8810001990	Screw PH M5X18 BS NI	1
MP8	8850000440	S-washer M5 NI	1
MP9	8830000360	Nut M5 NI	1
MP10	8830000211	NUT M5 BS-CD NI	1
MP11	8850000150	Flat washer M5 BS NI	2
MP12	8810009880	Screw BiH M4X8 NI	1
MP13	8310068790	2844 earth seal	1
MP14	8850001561	TOOTHED WASHER (A) M4 ZC3	1
MP15	8930072550	2844 PW PLATE	1

[BPF UNIT]

REF NO.	ORDER NO.	DESCRIPTION	QTY.
RL1	6330001721	ATN207-K1	1
RL2	6330001721	ATN207-K1	1
RL21	6330001721	ATN207-K1	1
RL22	6330001721	ATN207-K1	1
RL41	6330001721	ATN207-K1	1
RL42	6330001721	ATN207-K1	1
RL61	6330001721	ATN207-K1	1
RL62	6330001721	ATN207-K1	1
RL81	6330001721	ATN207-K1	1
RL82	6330001721	ATN207-K1	1
RL101	6330001721	ATN207-K1	1
RL102	6330001721	ATN207-K1	1
RL121	6330001721	ATN207-K1	1
RL122	6330001721	ATN207-K1	1
RL141	6330001721	ATN207-K1	1
RL142	6330001721	ATN207-K1	1
RL181	6330001721	ATN207-K1	1
RL201	6330001721	ATN207-K1	1
RL202	6330001721	ATN207-K1	1
RL203	6330001721	ATN207-K1	1
RL204	6330001721	ATN207-K1	1
RL205	6330001721	ATN207-K1	1
RL221	6330001721	ATN207-K1	1
RL222	6330001721	ATN207-K1	1
RL241	6330001721	ATN207-K1	1
RL242	6330001721	ATN207-K1	1
RL261	6330001721	ATN207-K1	1
RL262	6330001721	ATN207-K1	1
RL281	6330001721	ATN207-K1	1
RL282	6330001721	ATN207-K1	1
J1*	6510020521	52808-1271	1
J11	6510007020	TMP-J01X-V6	1
J501	6510007020	TMP-J01X-V6	1
J502	6450001800	JPJ1044-01-010	1
W1	7120000470	ERDS2T0	1
MP211	8930065740	2590 D-EARTH SPRING	1

[ANT UNIT]

REF NO.	ORDER NO.	DESCRIPTION	QTY.
RL101	6330001840	ARE1009	1
RL102	6330001840	ARE1009	1
RL103	6330001840	ARE1009	1
RL104	6330001840	ARE1009	1
RL201	6330001840	ARE1009	1
RL202	6330000810	ARK115	1
RL501	6330000810	ARK115	1
J1	6510007020	TMP-J01X-V6	1
J2*	6510023480	AYU1-1P-02676-120	1
J3*	6510023480	AYU1-1P-02676-120	1
J1001*	6510019981	52808-1671	1
MP1	8510017890	2844 RF CASE	1
MP2	8510017890	2844 RF CASE	1
MP3	8930014140	earth spring (D)	1
MP4	8930014140	earth spring (D)	1
MP5	8930014140	earth spring (D)	1
MP6	8930014140	earth spring (D)	1
MP7	8930014140	earth spring (D)	1
MP8	8510018300	2844 ANT S-COVER	1
MP9	8930071550	Shield sponge (BM)	1
MP201	8510016490	2590 LOGIC B-PLATE	1
MP501	8930017190	earth spring (F)	1
MP802	8930056531	THERMALLY SHEET (AA)-1	1

[RF-A UNIT]

REF NO.	ORDER NO.	DESCRIPTION	QTY.
J1	6510007020	TMP-J01X-V6	1
J2	6510007020	TMP-J01X-V6	1
J190	6510007020	TMP-J01X-V6	1
J210	6510007020	TMP-J01X-V6	1
J290	6510007020	TMP-J01X-V6	1
J500	6510007020	TMP-J01X-V6	1
J671	6510007020	TMP-J01X-V6	1
J730	6510007020	TMP-J01X-V6	1
J800*	6510019981	52808-1671	1
J900*	6510018961	B2B-PH-SM4-TB (LF) (SN)	1
J1310	6510007020	TMP-J01X-V6	1
EP401	6910002161	CASE-BM7H-LF	1
EP402	6910002161	CASE-BM7H-LF	1
EP421	6910002161	CASE-BM7H-LF	1
EP422	6910002161	CASE-BM7H-LF	1
EP441	6910002161	CASE-BM7H-LF	1
EP442	6910002161	CASE-BM7H-LF	1
EP461	6910002161	CASE-BM7H-LF	1
EP462	6910002161	CASE-BM7H-LF	1
EP481	6910002161	CASE-BM7H-LF	1
EP482	6910002161	CASE-BM7H-LF	1
MP130	6910001130	10M SHIELD CASE	1
MP131	8510016060	2590 HF CASE	1
MP132	8510015910	2590 HF COVER	1
MP133	8930072440	Shield sponge (BZ)	1
MP134	8930072440	Shield sponge (BZ)	1
MP401	8930065740	2590 D-EARTH SPRING	1
MP580	6910001130	10M SHIELD CASE	1
MP600	8510012400	2177 D/A CASE	1
MP730	8510015900	2590 M-2LO CASE	1
MP1250	8510012400	2177 D/A CASE	1
MP1251	8510012400	2177 D/A CASE	1
MP1311	8510015900	2590 M-2LO CASE	1

[RF-B UNIT]

REF NO.	ORDER NO.	DESCRIPTION	QTY.
J801*	6510023480	AYU1-1P-02676-120	1
J1201*	6510023480	AYU1-1P-02676-120	1
J1202*	6510023480	AYU1-1P-02676-120	1
J1301	6510018450	TMP-S01X-B1	1
J1305	6510018450	TMP-S01X-B1	1
J1601*	6510019981	52808-1671	1
J1801*	6510019981	52808-1671	1
J1831*	6510019971	52808-1071	1
J1851*	6510019971	52808-1071	1
MP101	8510017890	2844 RF CASE	1
MP201	8510017890	2844 RF CASE	1
MP301	8510017890	2844 RF CASE	1
MP401	8510017890	2844 RF CASE	1
MP501	8510017890	2844 RF CASE	1
MP601	8510017890	2844 RF CASE	1
MP701	8510017890	2844 RF CASE	1
MP801	8510017890	2844 RF CASE	1
MP901	8510017890	2844 RF CASE	1
MP1201	8510017890	2844 RF CASE	1
MP1202	8930014140	earth spring (D)	1
MP1203	8930014140	earth spring (D)	1
MP1205	8930065740	2590 D-EARTH SPRING	1
MP1251	8510017880	2844 MIX A-CASE	1
MP1301	8510017890	2844 RF CASE	1
MP1302	8510017890	2844 RF CASE	1
MP1305	8930017200	752 earth spring	1
MP1306	8930017200	752 earth spring	1
MP1307	8930014140	earth spring (D)	1
MP1601	8930059122	THERMALLY SHEET (AJ)-2	1
MP1602	8930070220	THERMALLY SHEET (BG)	1
MP1801	8930066570	FERRITE SHEET (O)	1

[MIX1 UNIT]

REF NO.	ORDER NO.	DESCRIPTION	QTY.
J1*	6510019971	52808-1071	1
J101*	6510023480	AYU1-1P-02676-120	1
J301*	6510023480	AYU1-1P-02676-120	1
J302	6510007020	TMP-J01X-V6	1
W1	8900015660	OPC-1596	1
W2	8900015780	OPC-1634	1
MP101	8510017880	2844 MIX A-CASE	1
MP102	8930014140	earth spring (D)	1
MP103	8930071550	Shield sponge (BM)	1
MP201	8930014140	earth spring (D)	1
MP301	8510017880	2844 MIX A-CASE	1
MP302	8930014140	earth spring (D)	1
MP303	8930071550	Shield sponge (BM)	1
MP401	8510017900	2844 MIX B-CASE	1
MP402	8510017910	2844 MIX B-COVER	1
MP403	8930070450	2844 MIX B-PLATE	1
MP404	8930052091	SHIELD TAPE (F)-1	1
MP405	8930052091	SHIELD TAPE (F)-1	1
MP406	8930071870	2844 FR SHEET	1
MP410	8810007231	Setscrew (H) 3X8 ZC3	2

[MIX2 UNIT]

REF NO.	ORDER NO.	DESCRIPTION	QTY.
J1	6510007020	TMP-J01X-V6	1
J41	6510007020	TMP-J01X-V6	1
J101	6510007020	TMP-J01X-V6	1
J201*	6510019971	52808-1071	1
EP102	6910002161	CASE-BM7H-LF	1
MP21	8510017880	2844 MIX A-CASE	1
MP121	8510017880	2844 MIX A-CASE	1
MP201	8510017900	2844 MIX B-CASE	1
MP202	8510017910	2844 MIX B-COVER	1
MP203	8930070450	2844 MIX B-PLATE	1
MP204	8930071880	2844 MIX SPONGE	1
MP205	8930029060	Insulation sheet (CT)	1
MP210	8810007231	Setscrew (H) 3X8 ZC3	2

*: Refer to SECTION 7 BOARD LAYOUTS.

Screw abbreviations A B0 BT: Self-tapping PH: Pan head ZK: Black NI-ZU: Nickel-Zinc SUS: Stainless

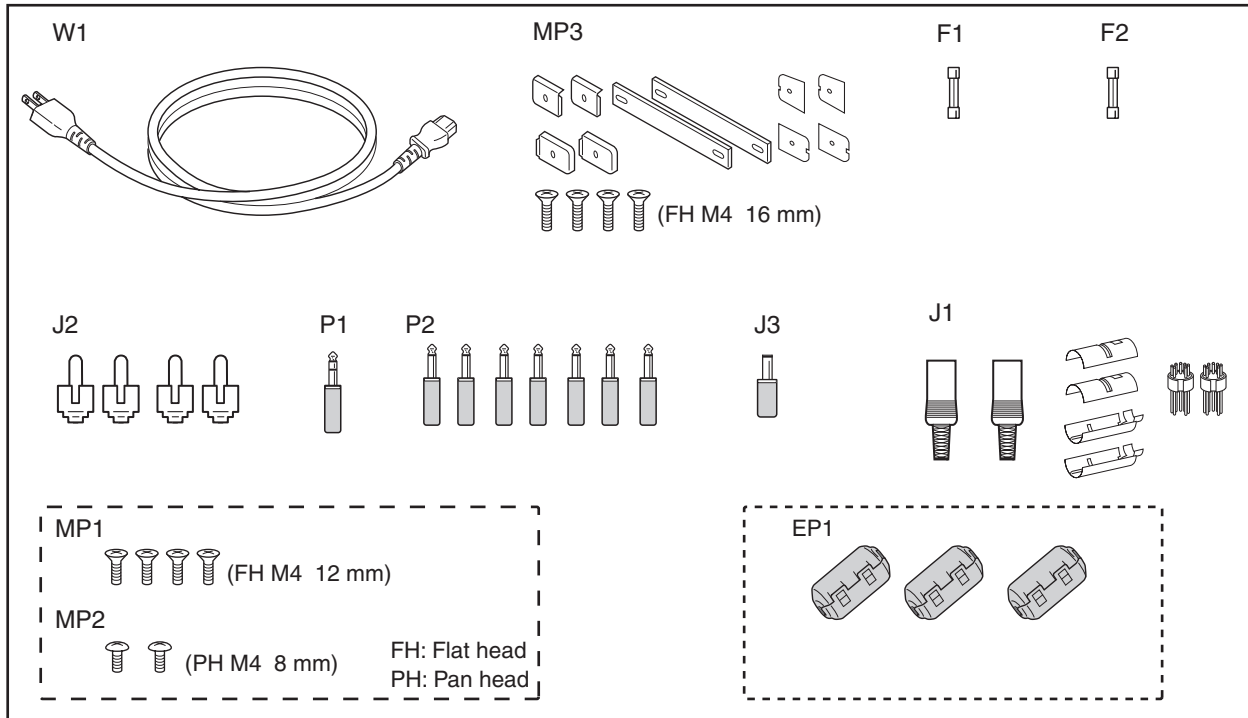
[PLL UNIT]

REF NO.	ORDER NO.	DESCRIPTION	QTY.
J1*	6510021721	30FLT-SM2-TB (LF) (SN)	1
J450	6510007020	TMP-J01X-V6	1
J500	6510007020	TMP-J01X-V6	1
J1301	6510007020	TMP-J01X-V6	1
J2400	6510007020	TMP-J01X-V6	1
J2501*	6510023480	AYU1-1P-02676-120	1
J4500	6510007020	TMP-J01X-V6	1
J5150	6510007020	TMP-J01X-V6	1
J5200	6510007020	TMP-J01X-V6	1
J5400	6510007020	TMP-J01X-V6	1
J5500	6510007020	TMP-J01X-V6	1
MP400	8930059122	THERMALLY SHEET (AJ)-2	1
MP401	8510015390	2591 REG PLATE	1
MP402	8930059122	THERMALLY SHEET (AJ)-2	1
MP403	8930040991	THERMALLY SHEET (E)-1	1
MP551	8510017810	2844 P-VCO CASE	1
MP751	8510010760	1876 DDS CASE	1
MP752	8510010770	1876 DDS COVER	1
MP753	8510010850	1897 D/A CASE	1
MP901	8510017810	2844 P-VCO CASE	1
MP902	8930057931	Shield sponge (M)-1	1
MP1001	8510017810	2844 P-VCO CASE	1
MP1002	8510018230	2844 P-VCO PLATE	1
MP1101	8930071580	2844 VCO1 SPRING	1
MP1102	8810006040	Screw PH M3X4 NI	4
MP1301	8510010460	1691 MAIN SHIELD PLATE	1
MP2001	8510017830	2844 VCO2 CASE	1
MP2002	8510018250	2844 VCO2 PLATE	1
MP2102	8510018240	2844 FIL PLATE	1
MP2202	8510018250	2844 VCO2 PLATE	1
MP2400	8510010850	1897 D/A CASE	1
MP3001	8510017810	2844 P-VCO CASE	1
MP3002	8510018230	2844 P-VCO PLATE	1
MP3003	8930072390	2844 EARTH SPRING	1
MP4001	8510017810	2844 P-VCO CASE	1
MP4002	8510018230	2844 P-VCO PLATE	1
MP4102	8510018250	2844 VCO2 PLATE	1
MP4103	8930072400	FERRITE SHEET (T)	1
MP4402	8510018240	2844 FIL PLATE	1
MP5001	8510017810	2844 P-VCO CASE	1
MP5002	8510017810	2844 P-VCO CASE	1
MP5003	8930065740	2590 D-EARTH SPRING	1
MP5301	8510005980	724 Shield case	1
MP5302	8510005990	724 Shield case cover	1
MP5601	8510017810	2844 P-VCO CASE	1
MP5704	8930039810	rubber sheet (X)	1
MP5706	8930043300	rubber sheet (AG)	1

[ACCESSORIES]

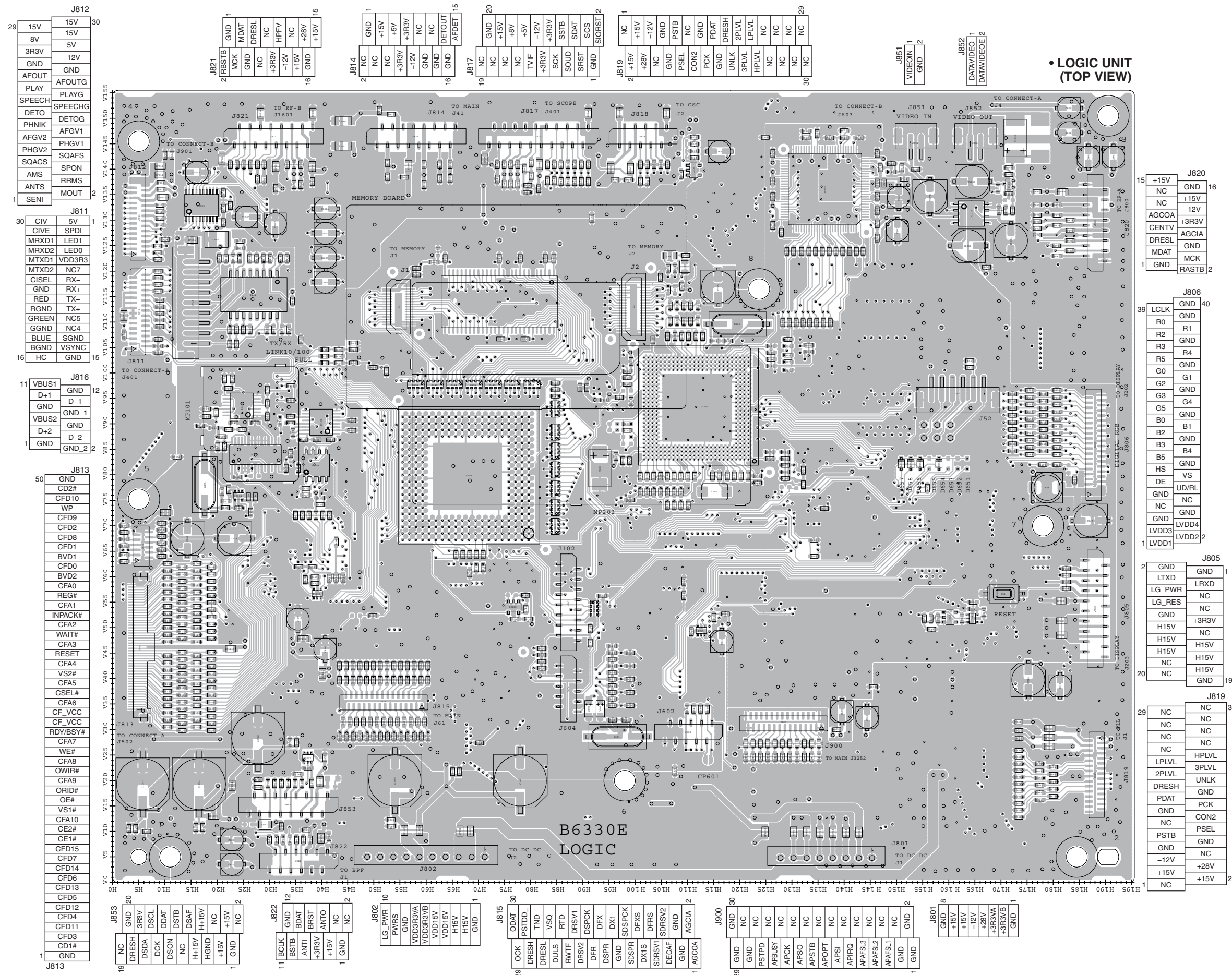
REF NO.	ORDER NO.	DESCRIPTION	QTY.
J1	6450001281	TCP0587-715467	2
J2	6510023200	P031010	4
J3	5610000280	MP-12M	1
P1	5610000420	AP-338	1
P2	5610000430	AP331	7
F1	5210000031	FGB 1A PBF	1
F2	5210000131	FGB 4A PBF	1
	5210001030	0234002MXP	1
W1	8900005250	OPC-510	1
	8900005130	OPC-492	1
	8900005120	OPC-491	1
	8900005220	OPC-513	1
EP1	6910011940	ZCAT2436-1330A-M (-BK)	3
MP1	8820001380	2844 B-SCREW	4
MP2	8820001400	2844 D-SCREW	2
MP3	8930067480	2844 SIDE HANDLE	2
MP4	8820001390	2844 C-SCREW	4

•ACCESSORIES



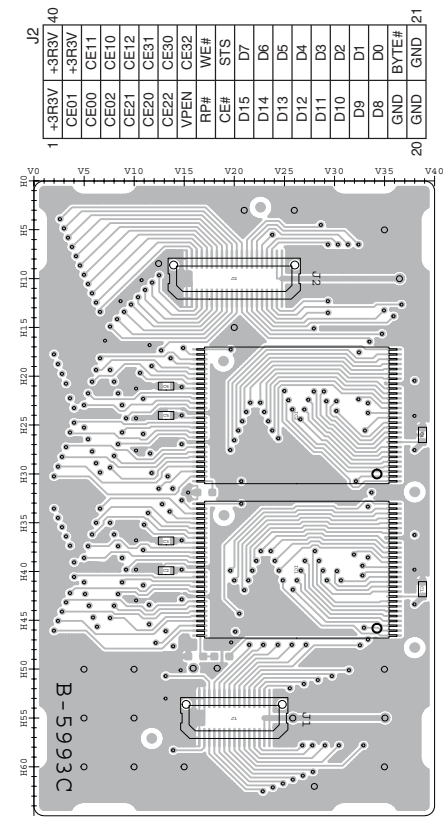
SECTION 7

BOARD LAYOUTS



• LOGIC UNIT (TOP VIEW)

• MEMORY BOARD (TOP VIEW)



29	15V	15V	30
	8V	5V	
	3R3V	-12V	
	GND	GND	
	AFOUTG	AFOUTG	
	PLAY	PLAYG	
	SPEECH	SPEECHG	
	DETO	DETOG	
	PHNIK	AFGV1	
	AFGV2	PHGV1	
	PHGV2	SOAFS	
	SOACS	SPON	
	AMS	RRMS	
	ANTS	MOUT	
	SENI		

30	CIV	5V	1
	MRXD1	LED1	
	MRXD2	LED0	
	MTXD1	VDD3R3	
	MTXD2	NC7	
	CISEL	RX-	
	GND	RX+	
	RED	TX-	
	RGND	TX+	
	GREEN	NC5	
	GGND	NC4	
	BLUE	SGND	
	BGND	VSYN	
	HC	GND	

11	VBUS1	GND	12
	D+1	D-1	
	GND	GND_1	
	VBUS2	GND	
	D+2	D-2	
	GND	GND_2	

50	GND		
	CD2#		
	CFD10		
	WP		
	CFD9		
	CFD2		
	CFD8		
	CFD1		
	BVD1		
	CFD0		
	BVD2		
	CFA0		
	REG#		
	CFA1		
	INPACK#		
	CFA2		
	WAIT#		
	CFA3		
	RESET		
	CFA4		
	VS2#		
	CFA5		
	CSEL#		
	CFA6		
	CF_VCC		
	CF_VCC		
	RDY/BSY#		
	CFA7		
	WE#		
	CFA8		
	OWIR#		
	CFA9		
	ORID#		
	OE#		
	VS1#		
	CFA10		
	CE2#		
	CE1#		
	CFD15		
	CFD7		
	CFD14		
	CFD6		
	CFD13		
	CFD5		
	CFD12		
	CFD4		
	CFD11		
	CFD3		
	CD1#		
	GND		

19	NC		
	DRESH		
	DSDA		
	DSCL		
	DSAT		
	DSDB		
	DSDF		
	H+15V		
	HGND		
	+15V		
	GND		
	NC		

11	BLCK		12
	BSTB		
	BDAT		
	ANTI		
	BRST		
	+3R3V		
	ANTO		
	+15V		
	NC		
	GND		
	NC		

29	LOCK		30
	DRESH		
	DRESL		
	DULS		
	RWTF		
	DRSV1		
	DSRV2		
	DFR		
	DFX		
	DX1		
	GND		
	SDSPCK		
	SDSPR		
	DX1S		
	DFRS		
	SDRSV1		
	SDRSV2		
	DECAF		
	GND		
	AGCCIA		
	AGCCIA		

29	GND		30
	NC		
	PSTPD		
	NC		
	APBUSY		
	APCK		
	APSO		
	APSTB		
	NC		
	APSI		
	APIRQ		
	APAFSL3		
	APAFSL2		
	APAFSL1		
	NC		
	GND		
	GND		

1	ODAT		2
	PSTDD		
	TND		
	VSQ		
	RTD		
	DRSV1		
	DSRCK		
	DFR		
	DFX		
	DX1		
	GND		
	SDSPCK		
	SDSPR		
	DX1S		
	DFRS		
	SDRSV1		
	SDRSV2		
	DECAF		
	GND		
	AGCCIA		
	AGCCIA		

29	GND		30
	NC		
	PSTPD		
	NC		
	APBUSY		
	APCK		
	APSO		
	APSTB		
	NC		
	APSI		
	APIRQ		
	APAFSL3		
	APAFSL2		
	APAFSL1		
	NC		
	GND		
	GND		

1	GND		2
	+15V		
	+15V		
	-12V		
	+28V		
	+3R3VA		
	+3R3VB		
	GND		

29	NC		30
	NC		
	NC		
	NC		
	HPLVL		
	LPLVL		
	2PLVL		
	3PLVL		
	DRESH		
	GND		
	PDAT		
	PCK		
	NC		
	CON2		
	PSEL		
	GND		
	NC		
	+28V		
	+15V		
	NC		

15	+15V		16
	NC		
	NC		
	-12V		
	+3R3V		
	AGCCIA		
	CENTV		
	DRESL		
	MDAT		
	GND		
	RASTB		

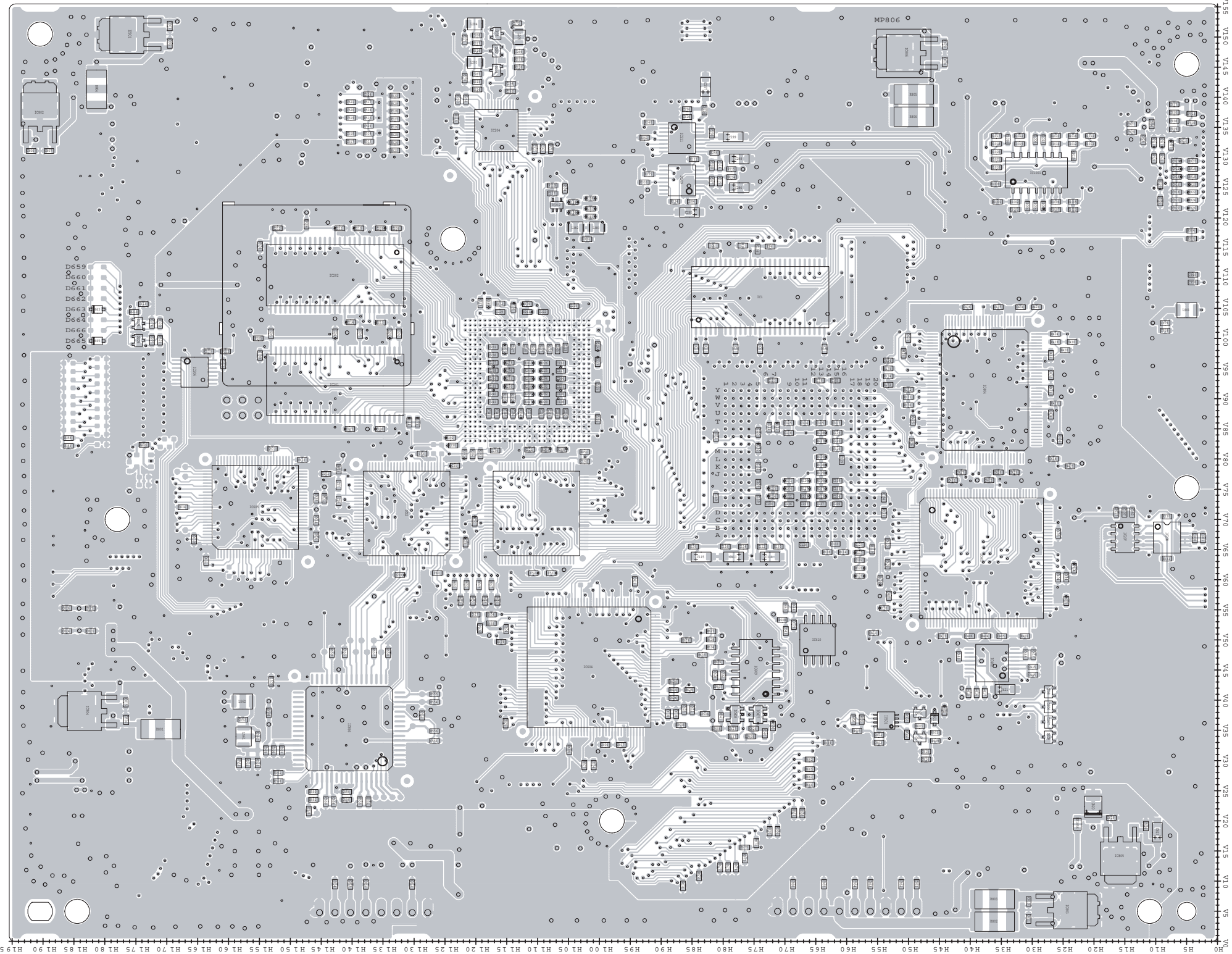
39	LCLK		40
	R0		
	R1		
	R2		
	R3		
	R4		
	G0		
	G1		
	G2		
	G3		
	G4		
	B0		
	B1		
	B2		
	B3		
	B4		
	B5		
	HS		
	VS		
	DE		
	UD/RL		
	GND		
	NC		
	GND		
	LVDD3		
	LVDD4		
	LVDD1		
	LVDD2		

1	+3R3V		2
	+3R3V		
	A21		
	A19		
	A18		
	A17		
	A16		
	A15		
	A14		
	A13		
	A12		
	A11		
	A10		
	A9		
	A8		
	A7		
	A6		
	A5		
	A4		
	A3		
	A2		
	A1		
	A0		
	A23		
	GND		
	GND		

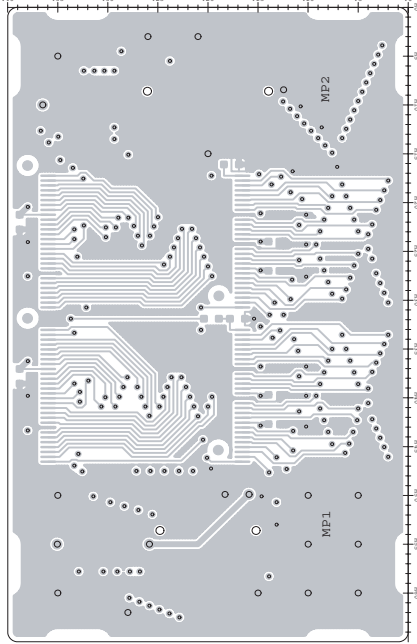
1	NC		2
	NC		
	NC		
	NC		
	NC		
	HPLVL		
	LPLVL		
	2PLVL		
	3PLVL		
	DRESH		
	GND		
	PDAT		
	PCK		
	NC		
	CON2		
	PSEL		
	GND		
	NC		
	+28V		
	+15V		
	NC		

The combination of this side and the bottom side shows the board layout in the same configuration as the actual P.C.Board.

• LOGIC UNIT
(BOTTOM VIEW)

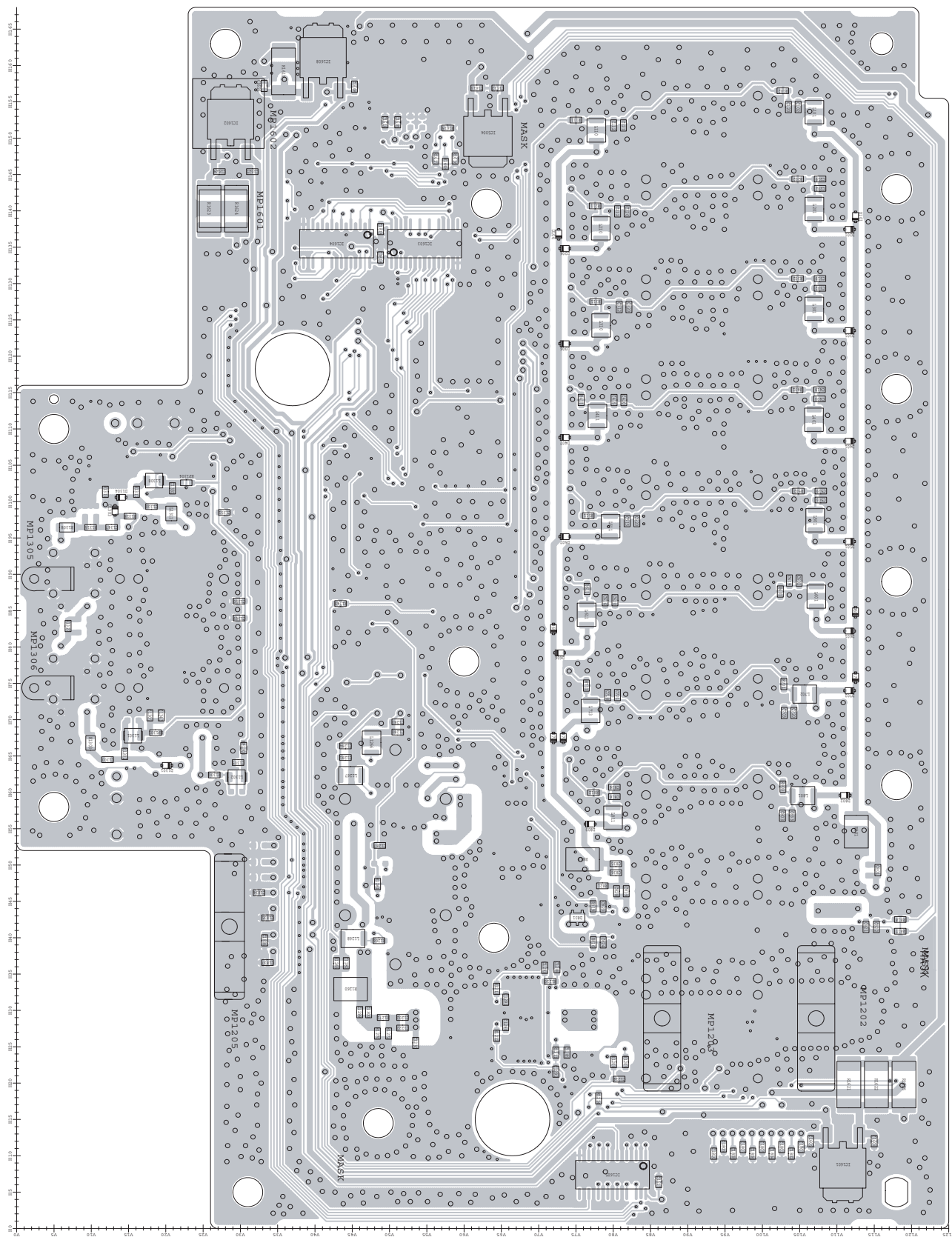


• MEMORY BOARD (BOTTOM VIEW)

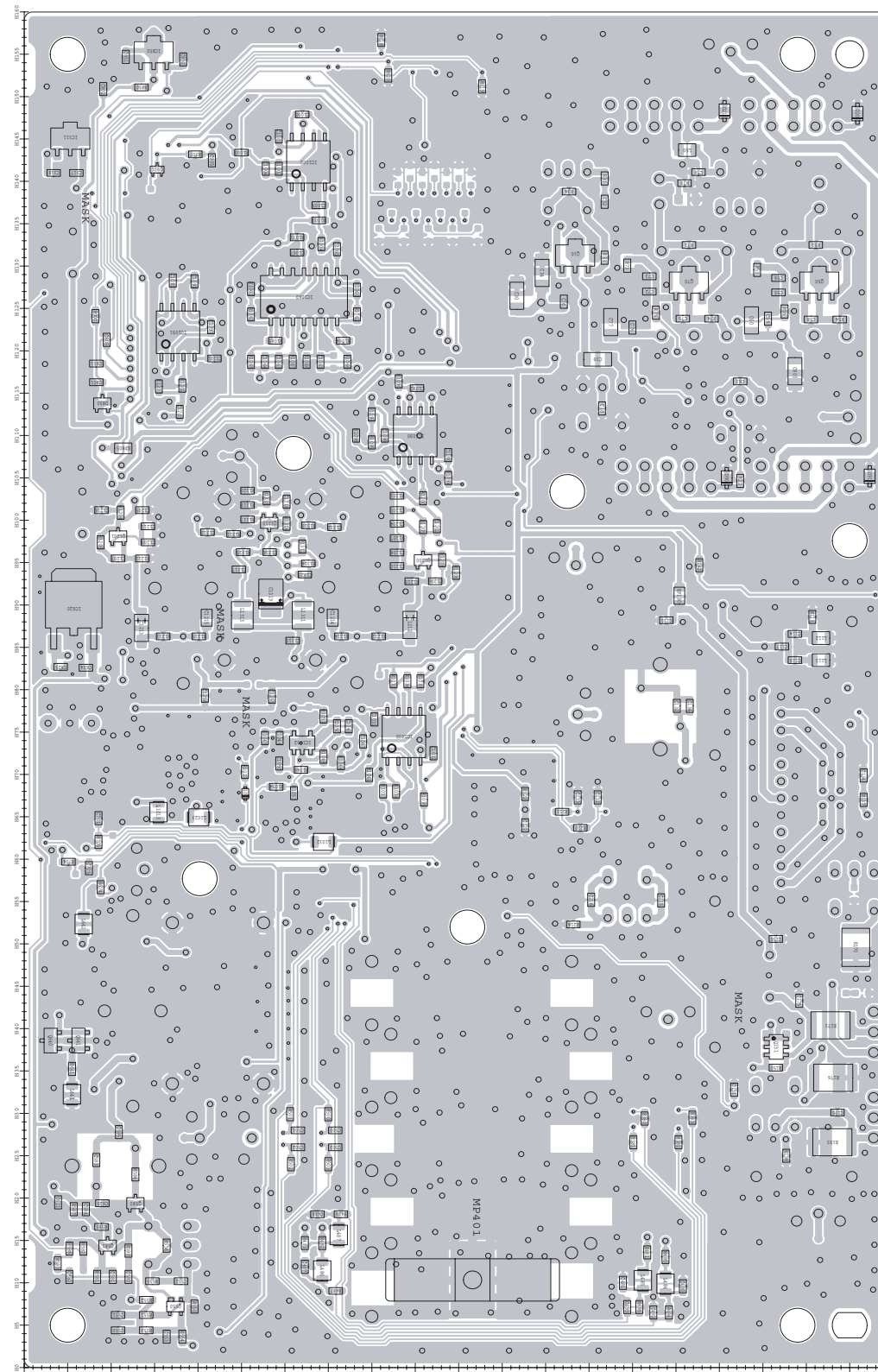


The combination of this side and the bottom side shows the board layout in the same configuration as the actual P.C.Board.

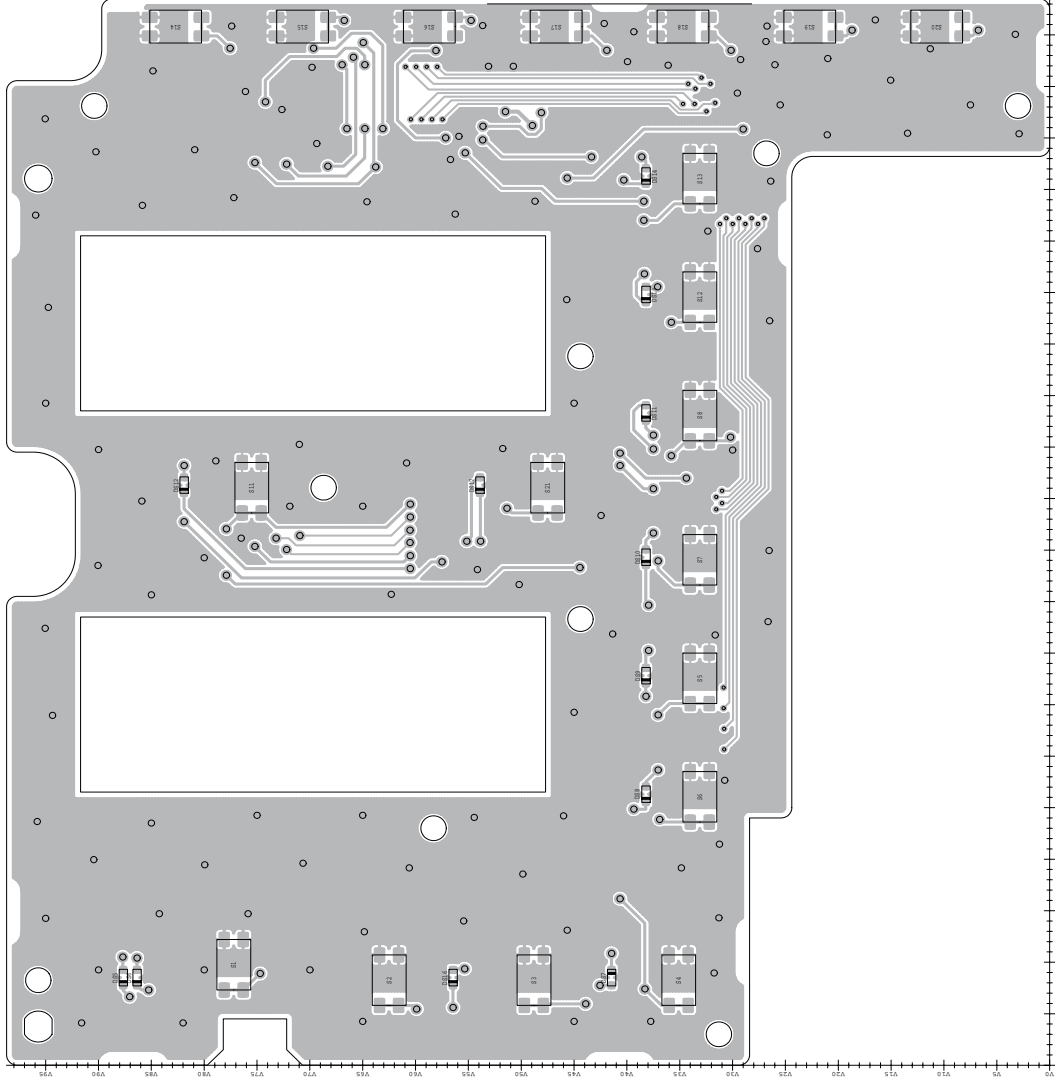
• RF-B UNIT (BOTTOM VIEW)



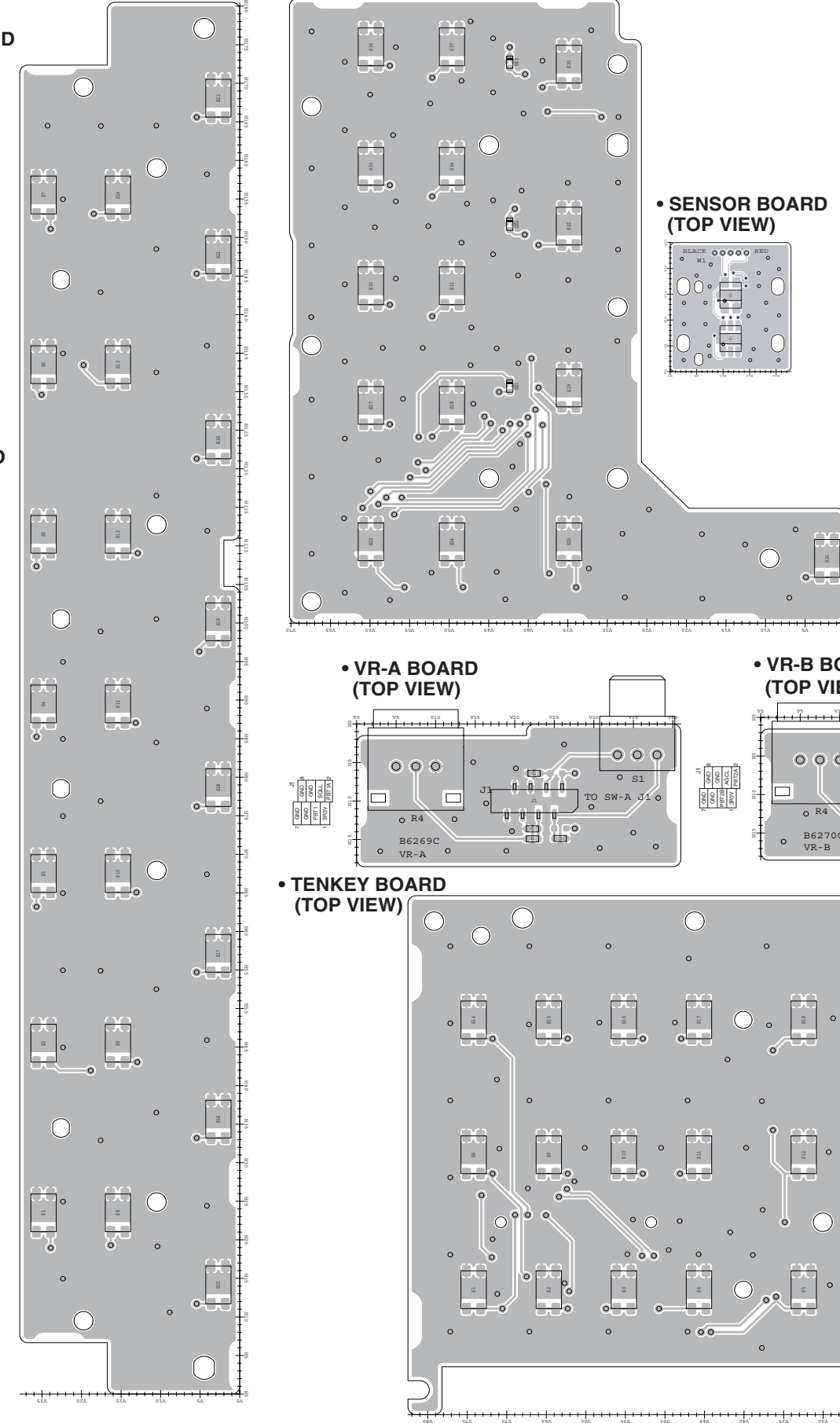
• RF-A UNIT (BOTTOM VIEW)



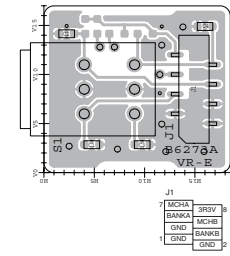
• SW-A BOARD (TOP VIEW)



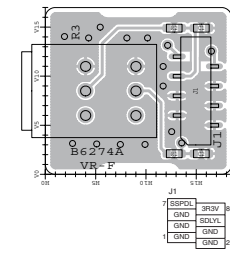
• SW-B BOARD (TOP VIEW) • SW-C BOARD (TOP VIEW)



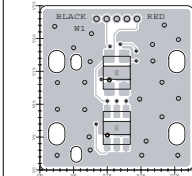
• VR-E BOARD (TOP VIEW)



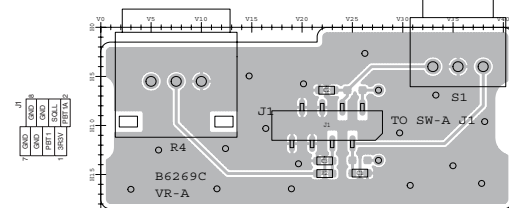
• VR-F BOARD (TOP VIEW)



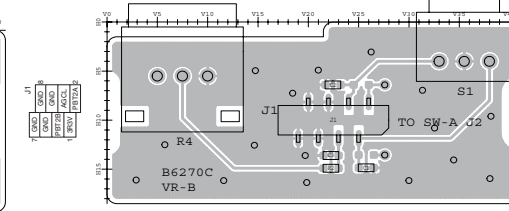
• SENSOR BOARD (TOP VIEW)



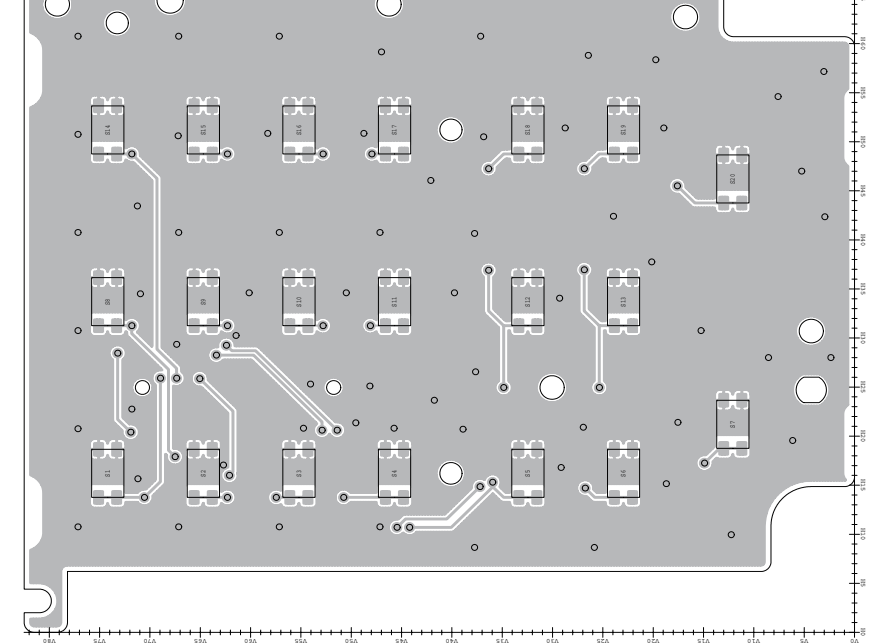
• VR-A BOARD (TOP VIEW)



• VR-B BOARD (TOP VIEW)

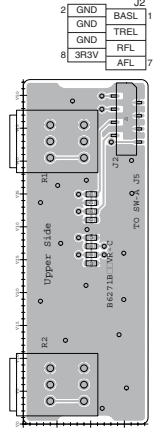


• TENKEY BOARD (TOP VIEW)

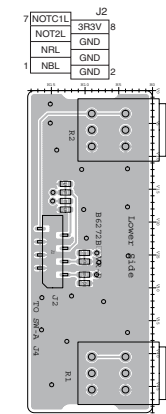


The combination of this side and the bottom side shows the board layout in the same configuration as the actual P.C.Board.

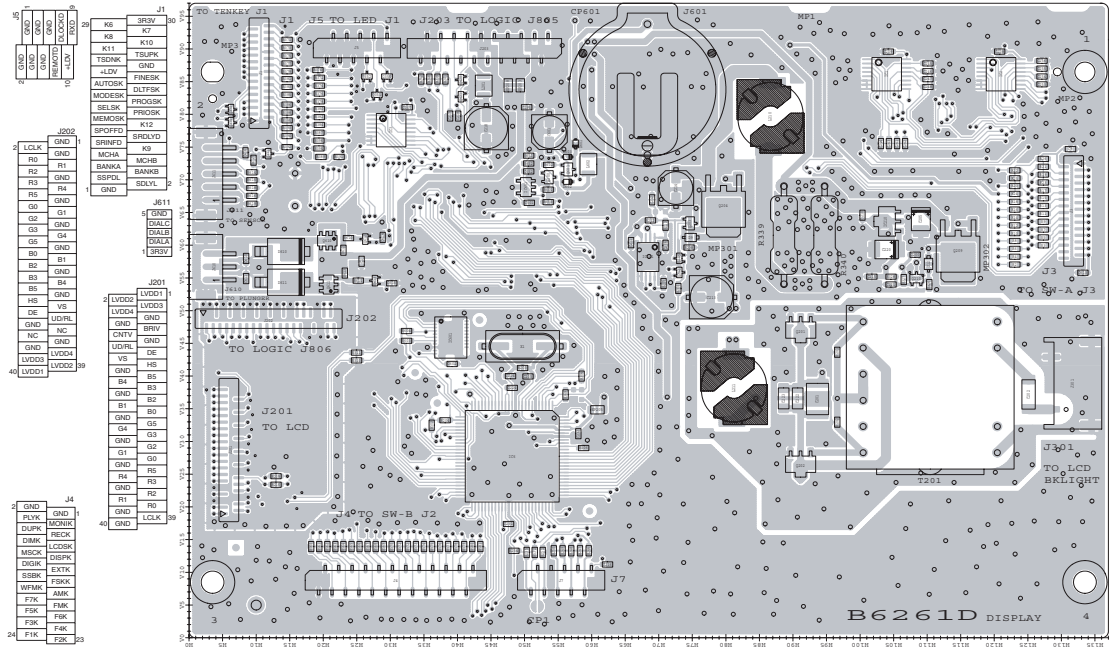
• VR-C BOARD (TOP VIEW)



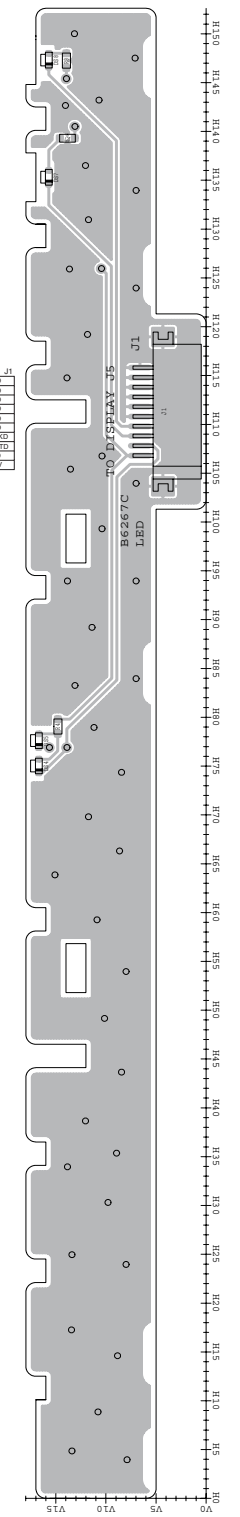
• VR-D BOARD (TOP VIEW)



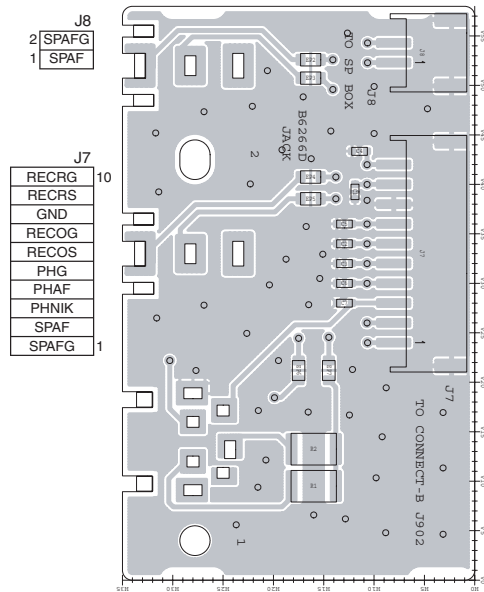
• DISPLAY BOARD (TOP VIEW)



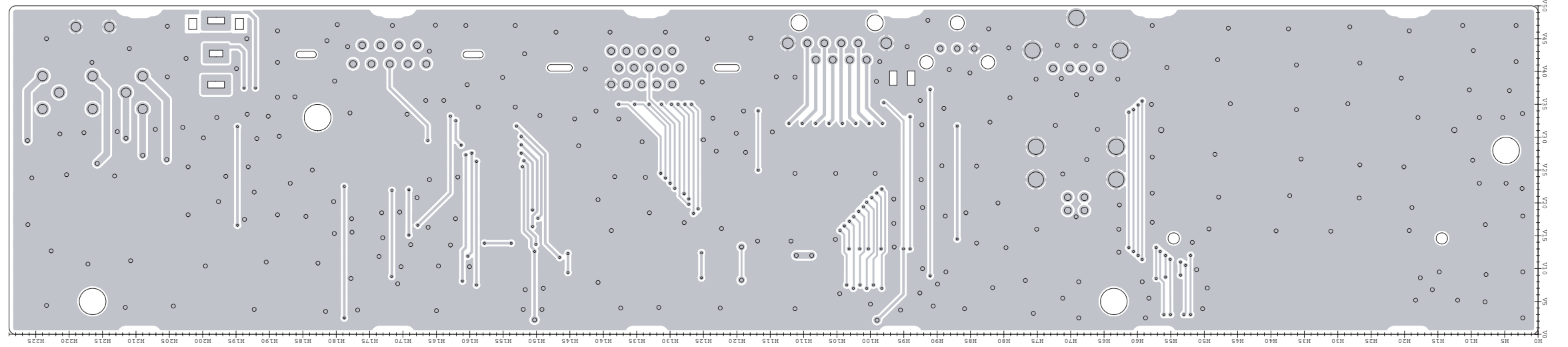
• LED BOARD (TOP VIEW)



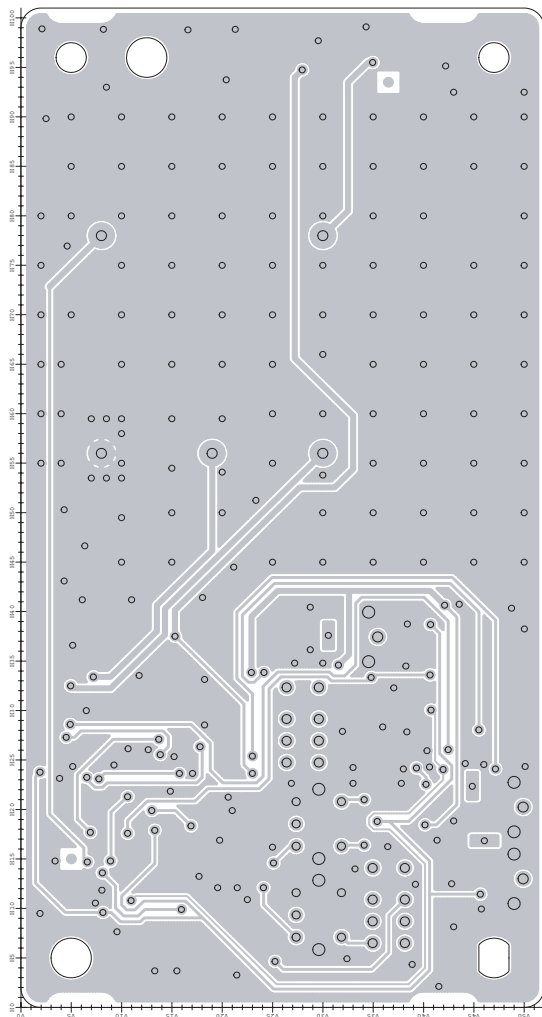
• JACK BOARD (BOTTOM VIEW)



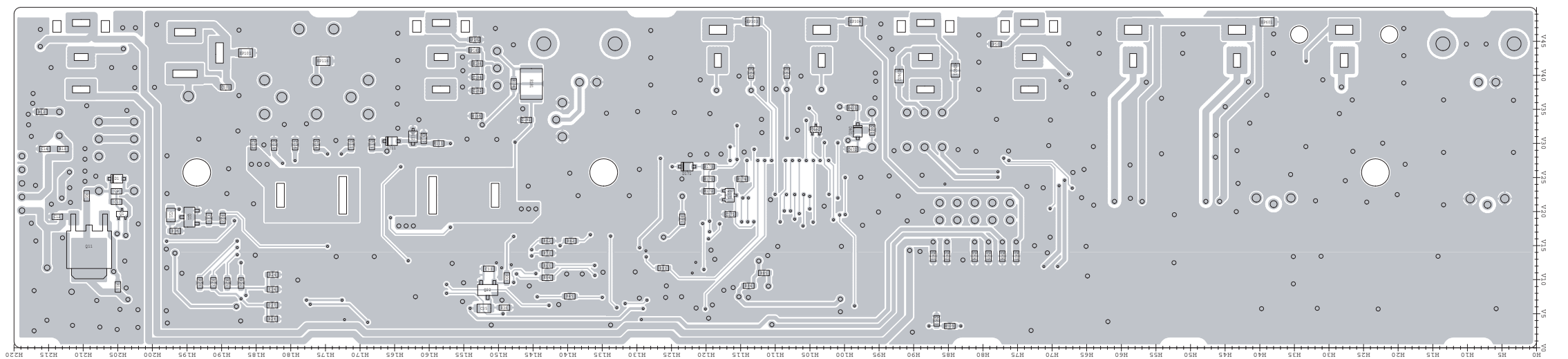
• CONNECT-A UNIT (BOTTOM VIEW)



• OSC UNIT (BOTTOM VIEW)

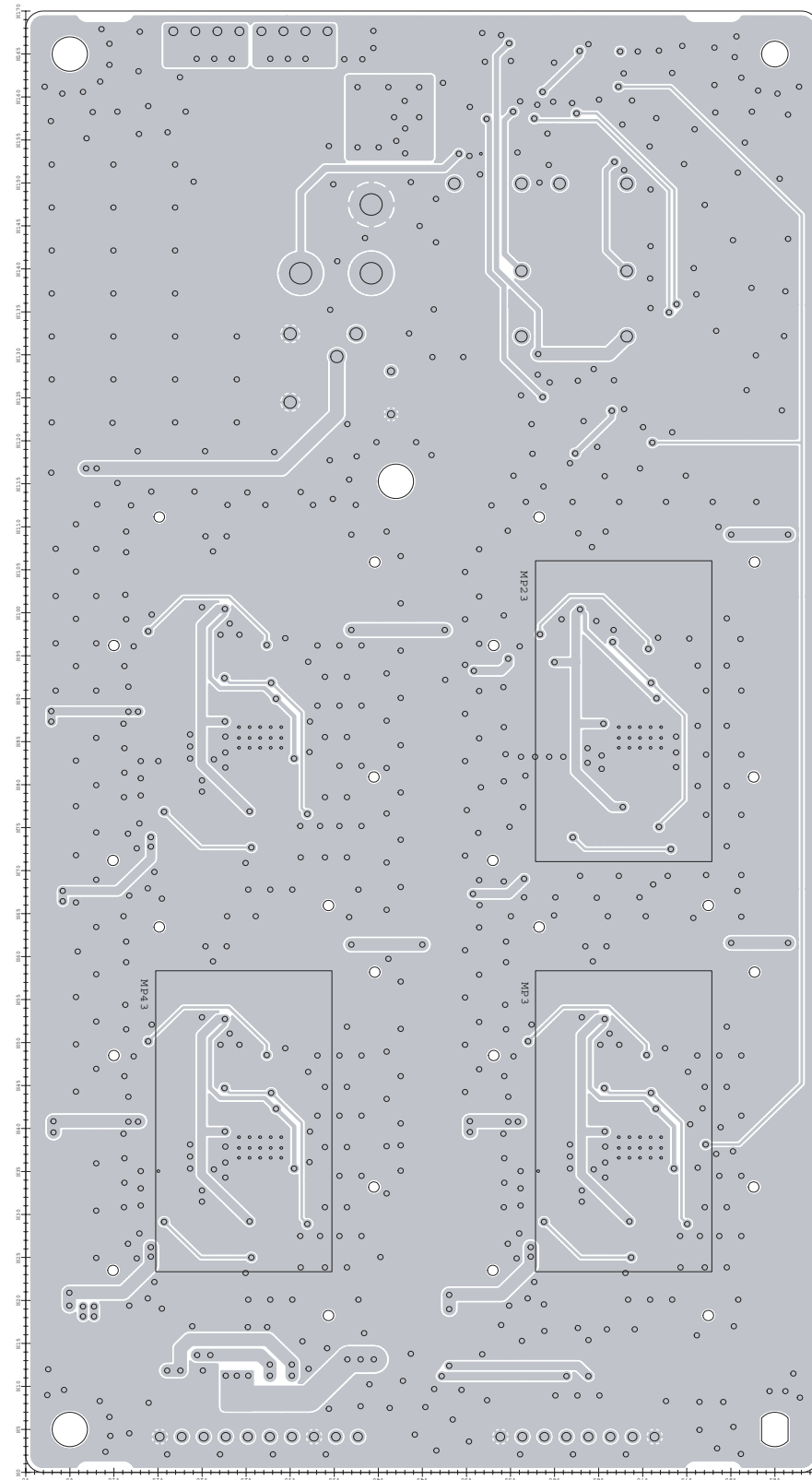


• CONNECT-B UNIT (BOTTOM VIEW)

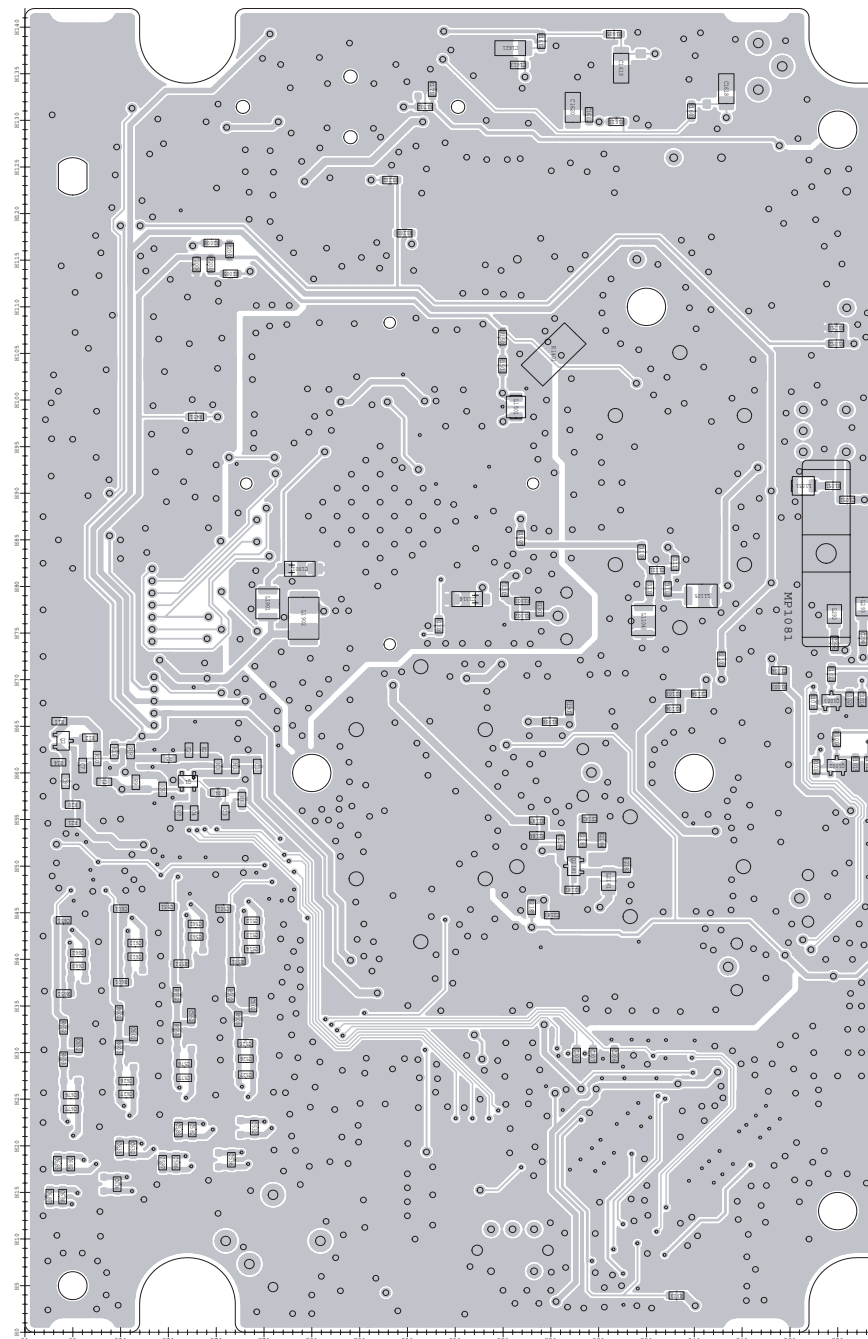


The combination of this side and the bottom side shows the board layout in the same configuration as the actual P.C.Board.

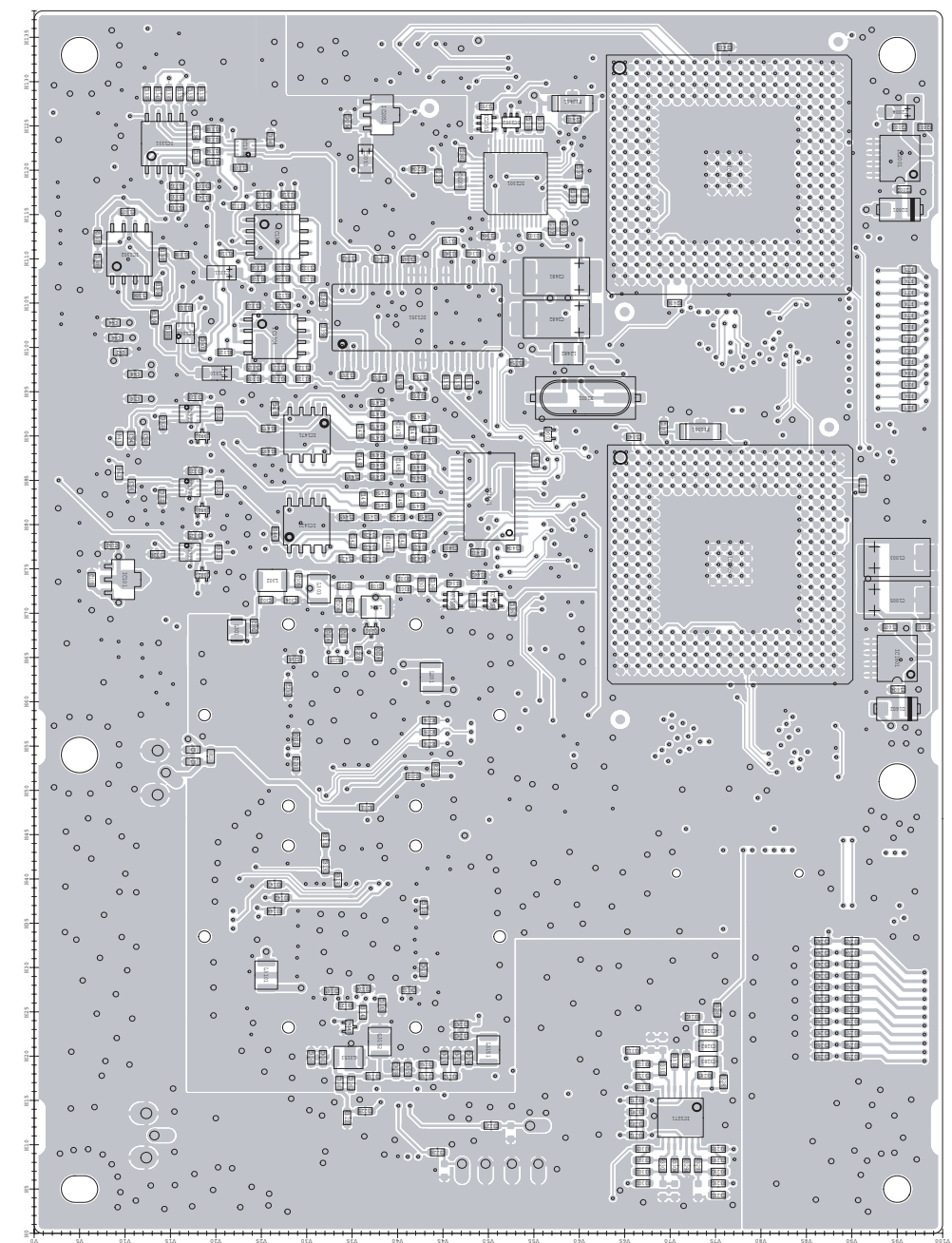
• DC-DC UNIT (BOTTOM VIEW)



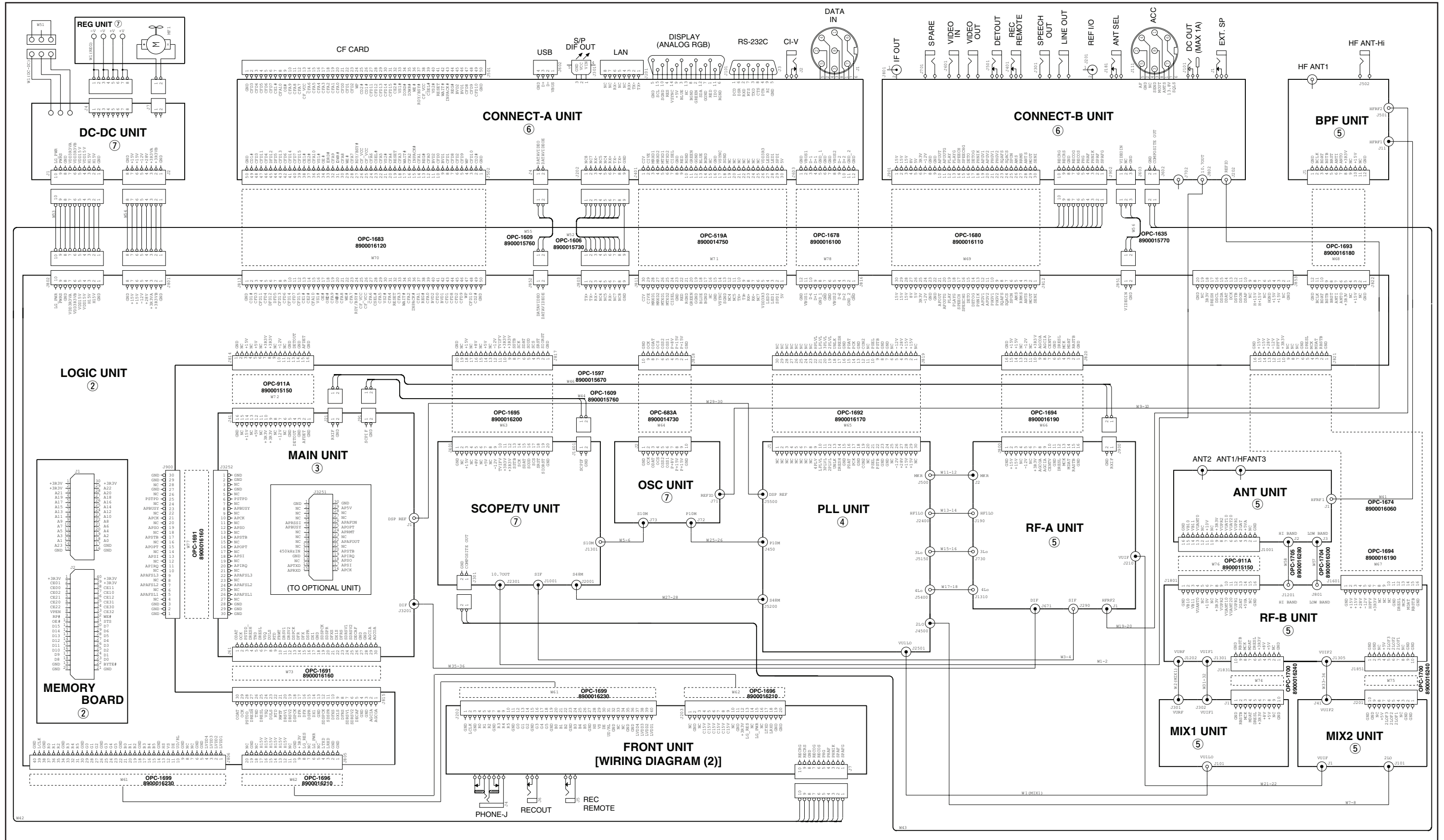
• SCOPE/TV UNIT (BOTTOM VIEW)



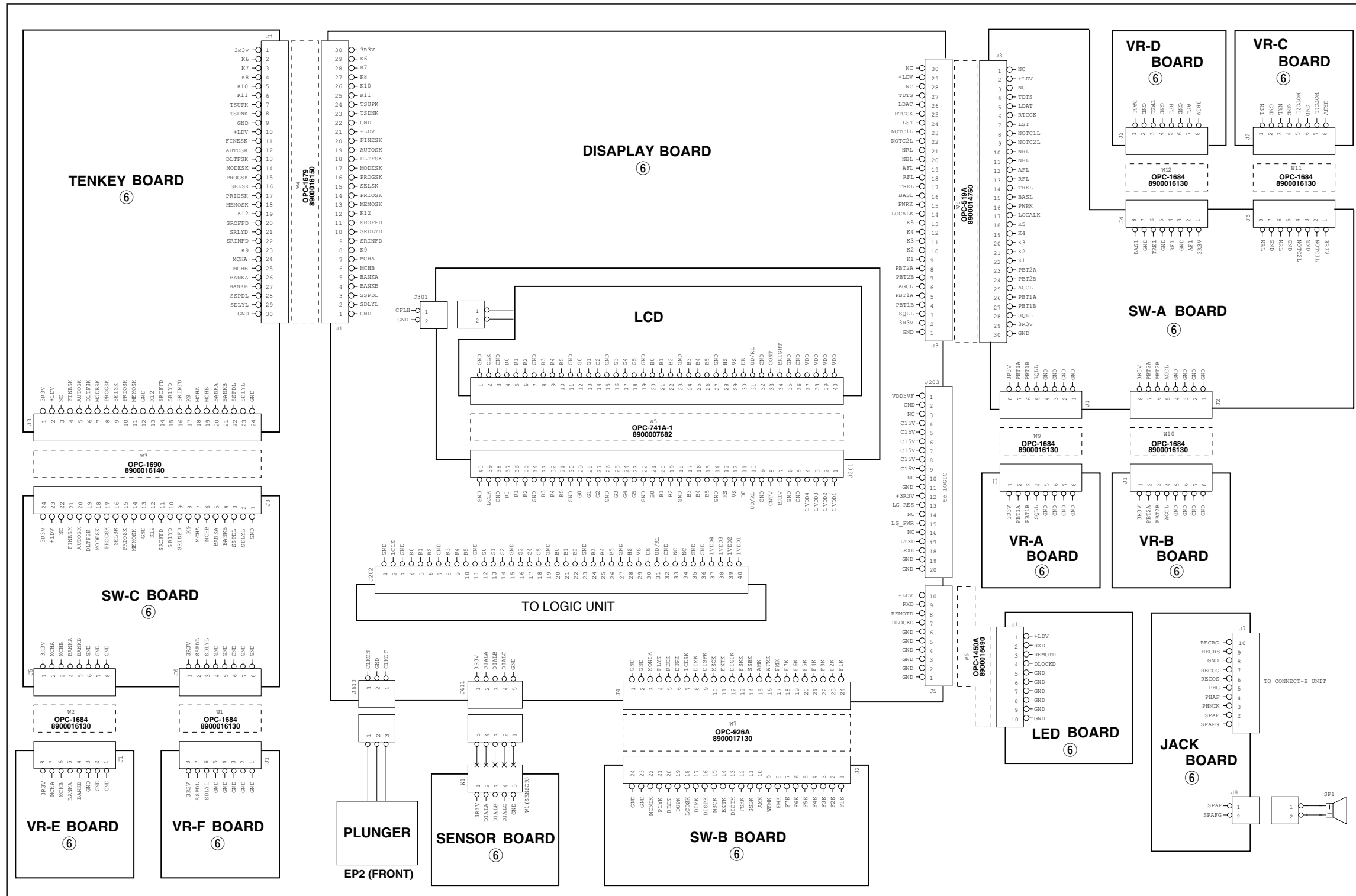
• MAIN UNIT (BOTTOM VIEW)



• WIRING DIAGRAM (1)



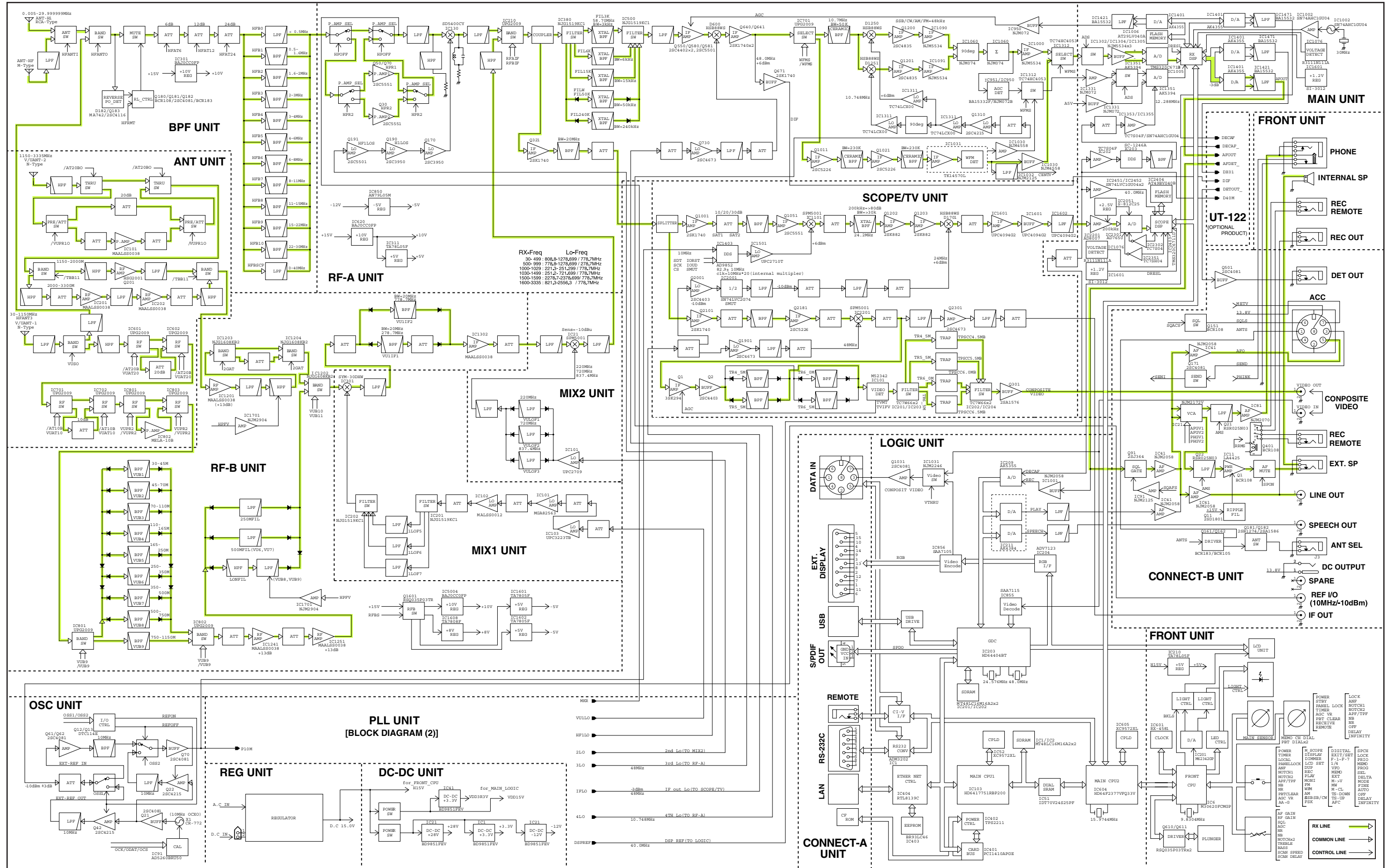
• WIRING DIAGRAM (2)



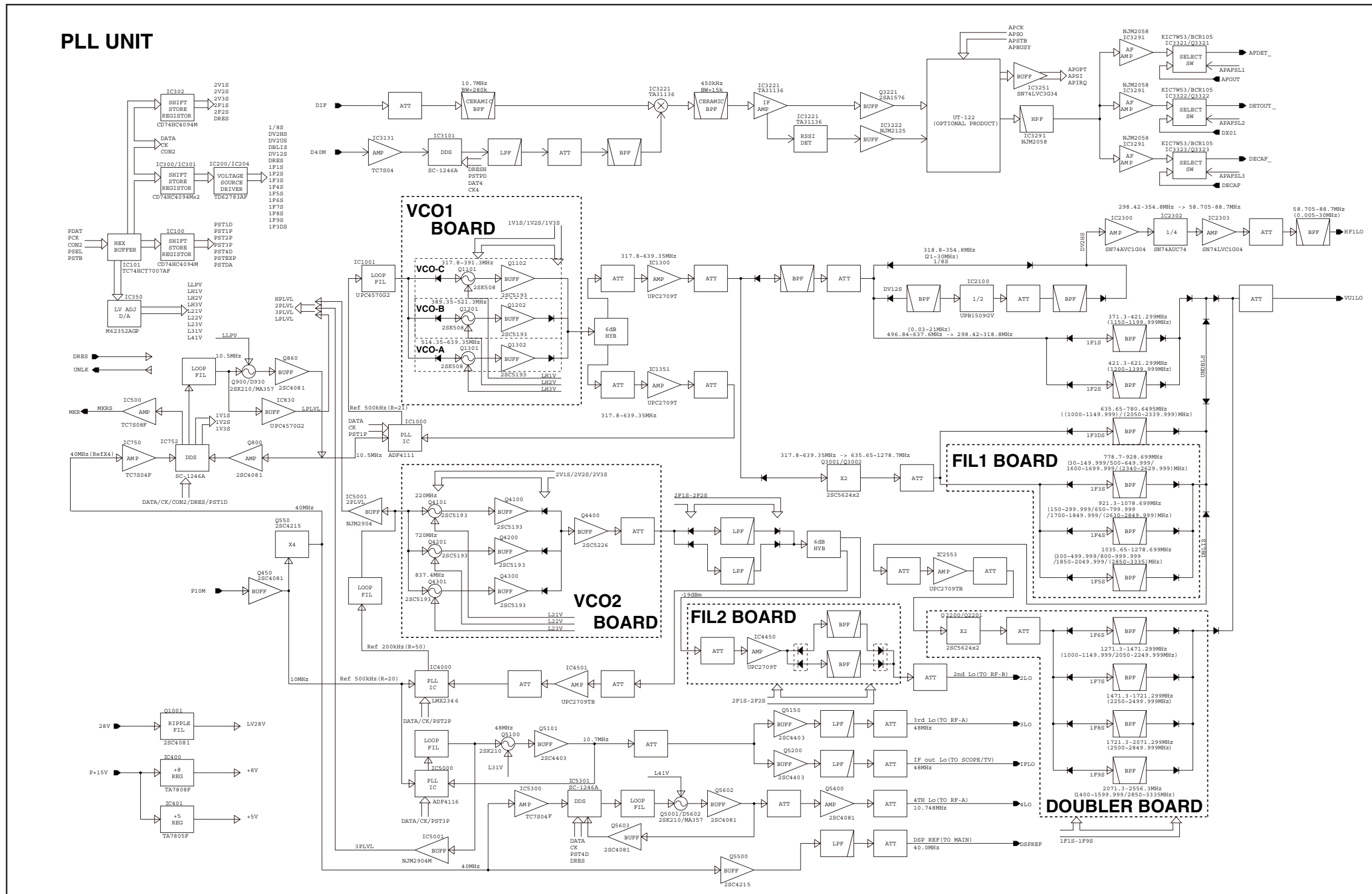
SECTION 9

BLOCK DIAGRAMS

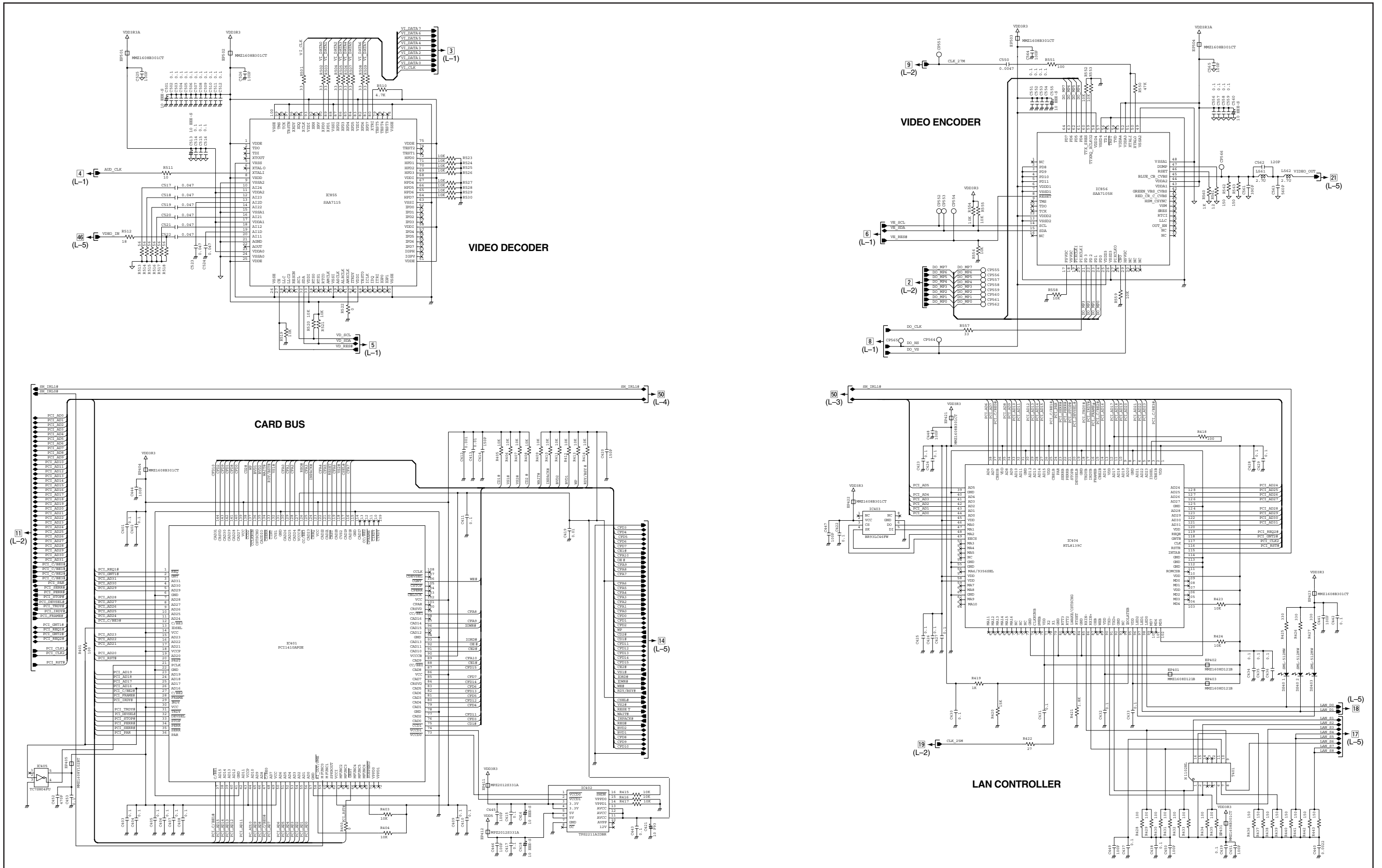
• BLOCK DIAGRAM (1)



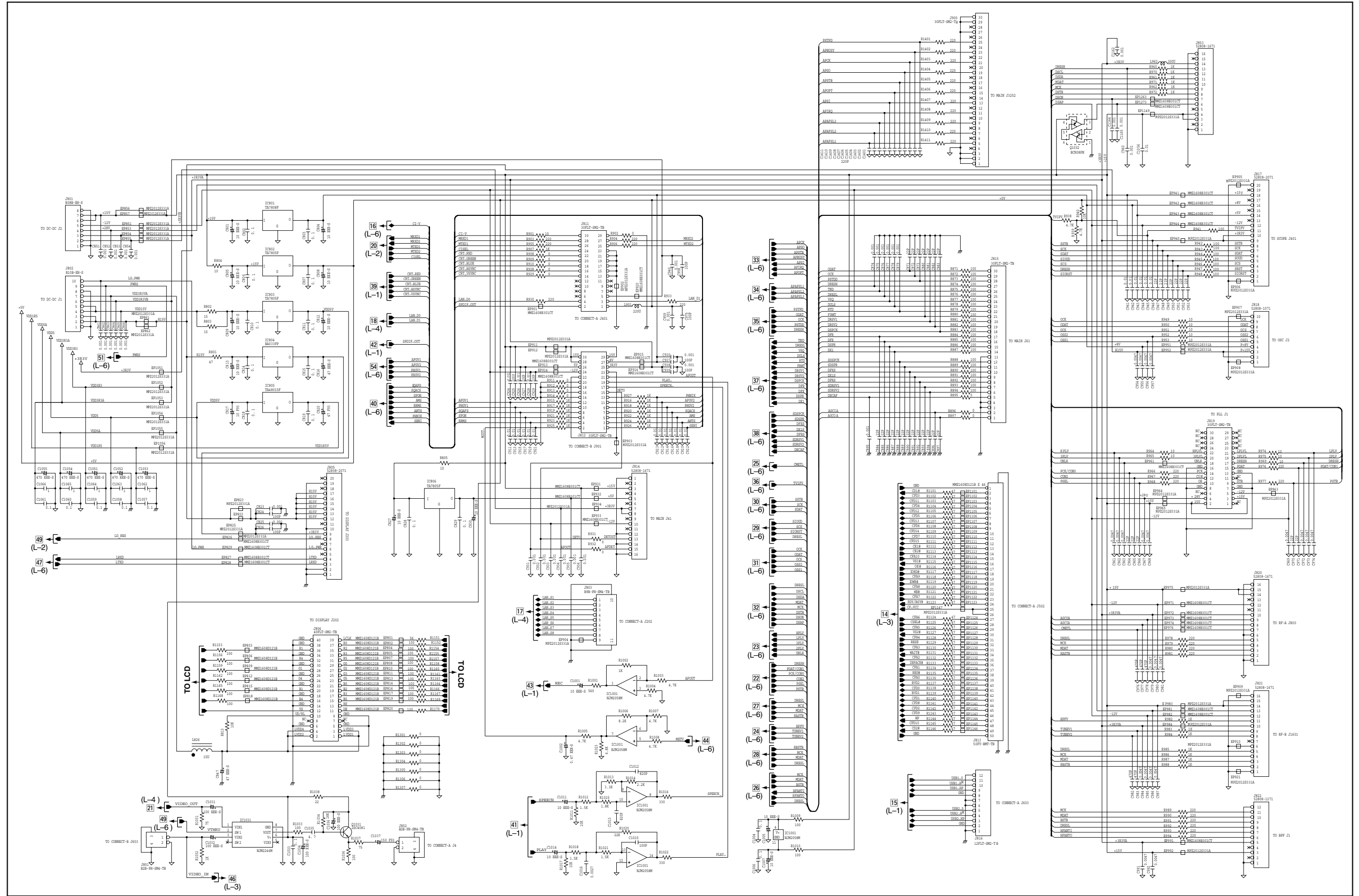
• BLOCK DIAGRAM (2)



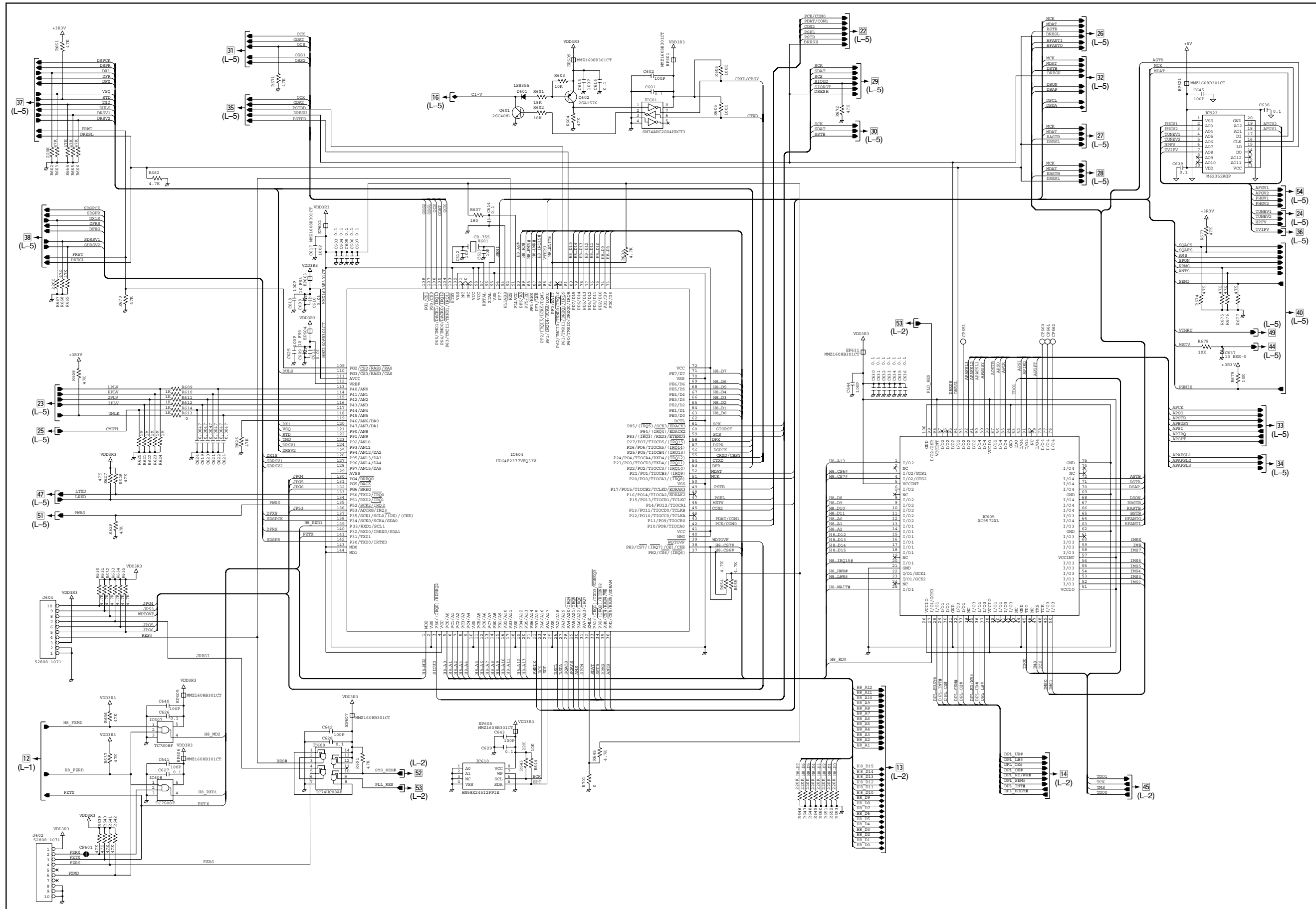
• LOGIC UNIT (3)



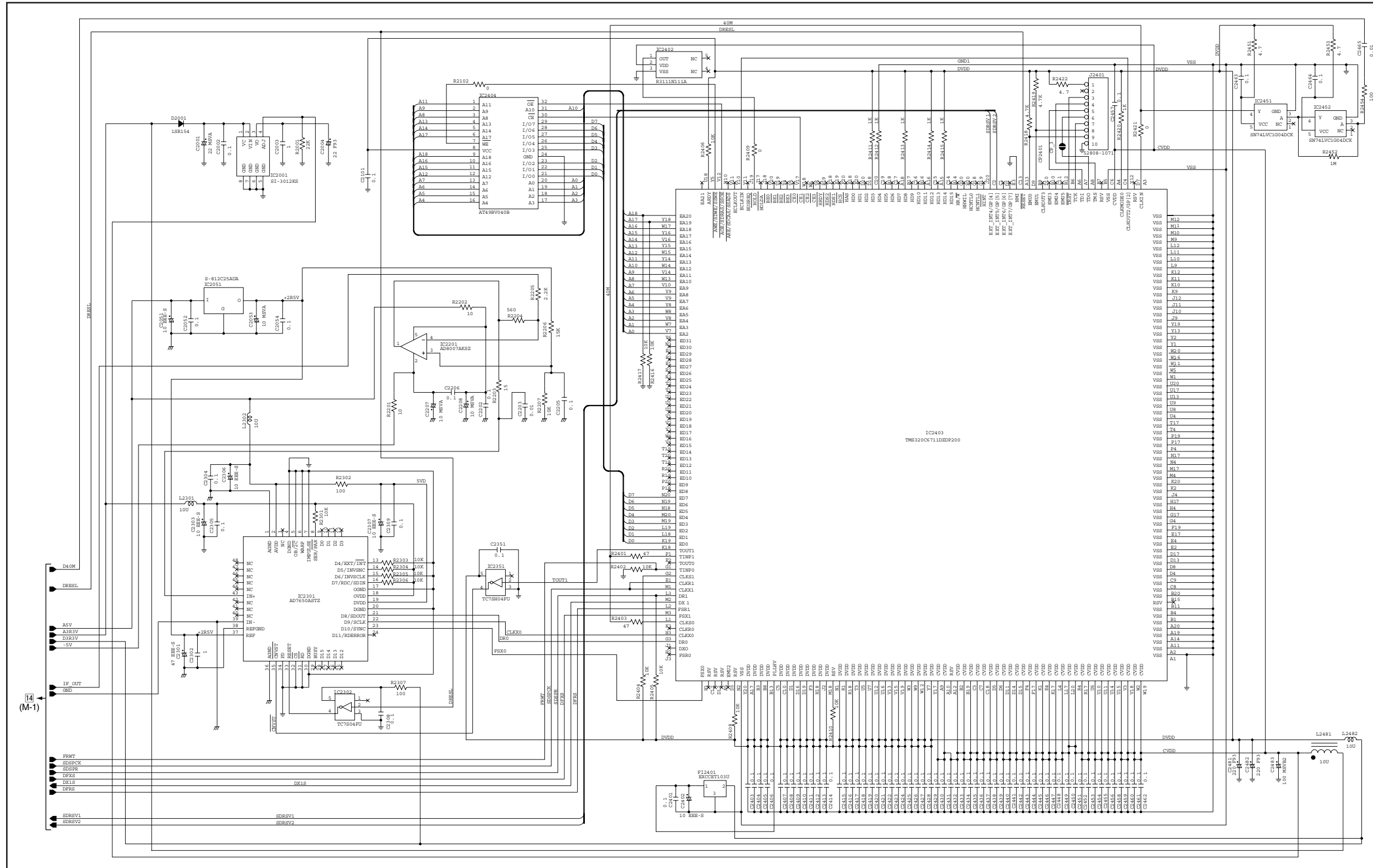
• LOGIC UNIT (4)



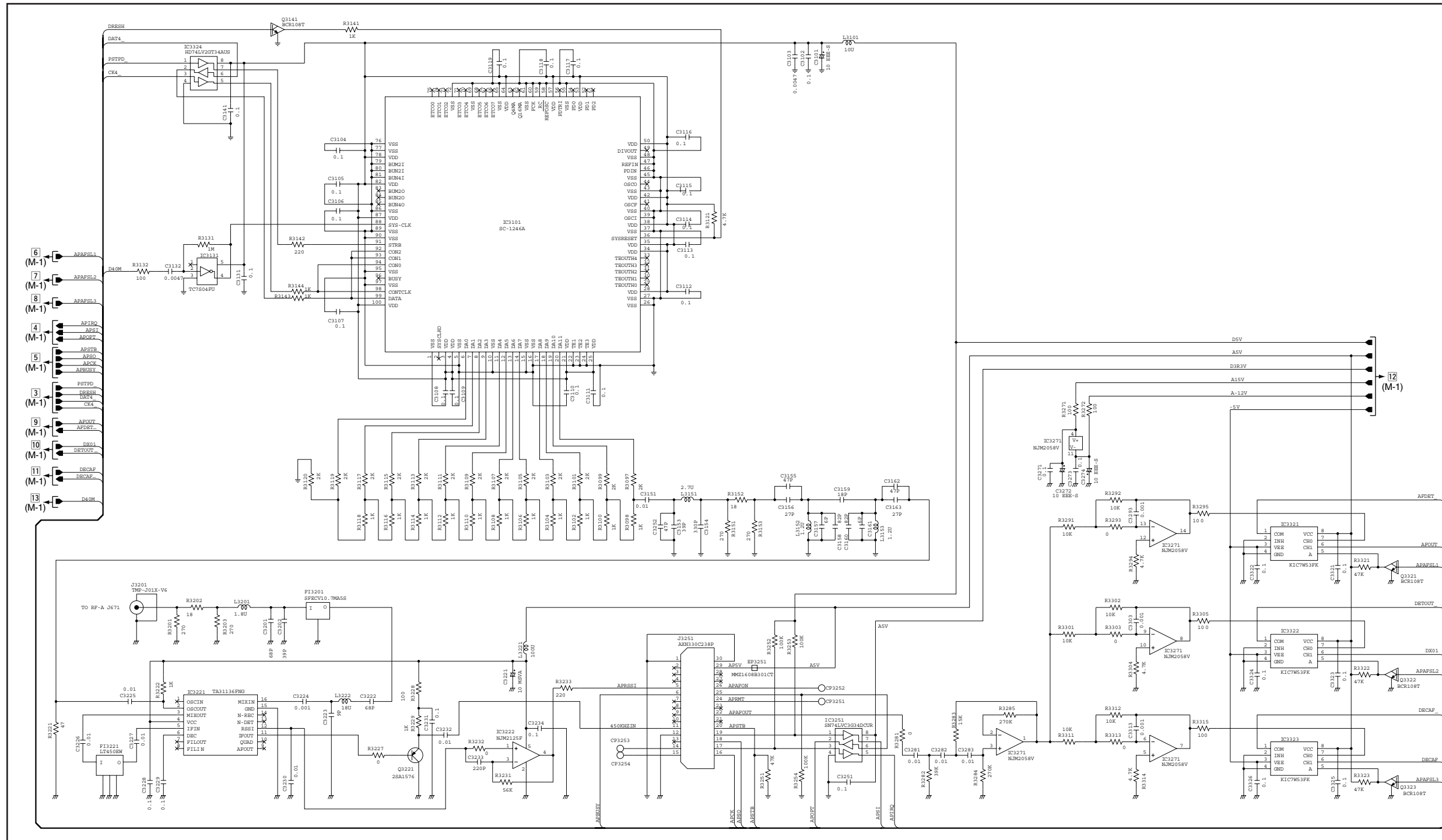
• LOGIC UNIT (5)



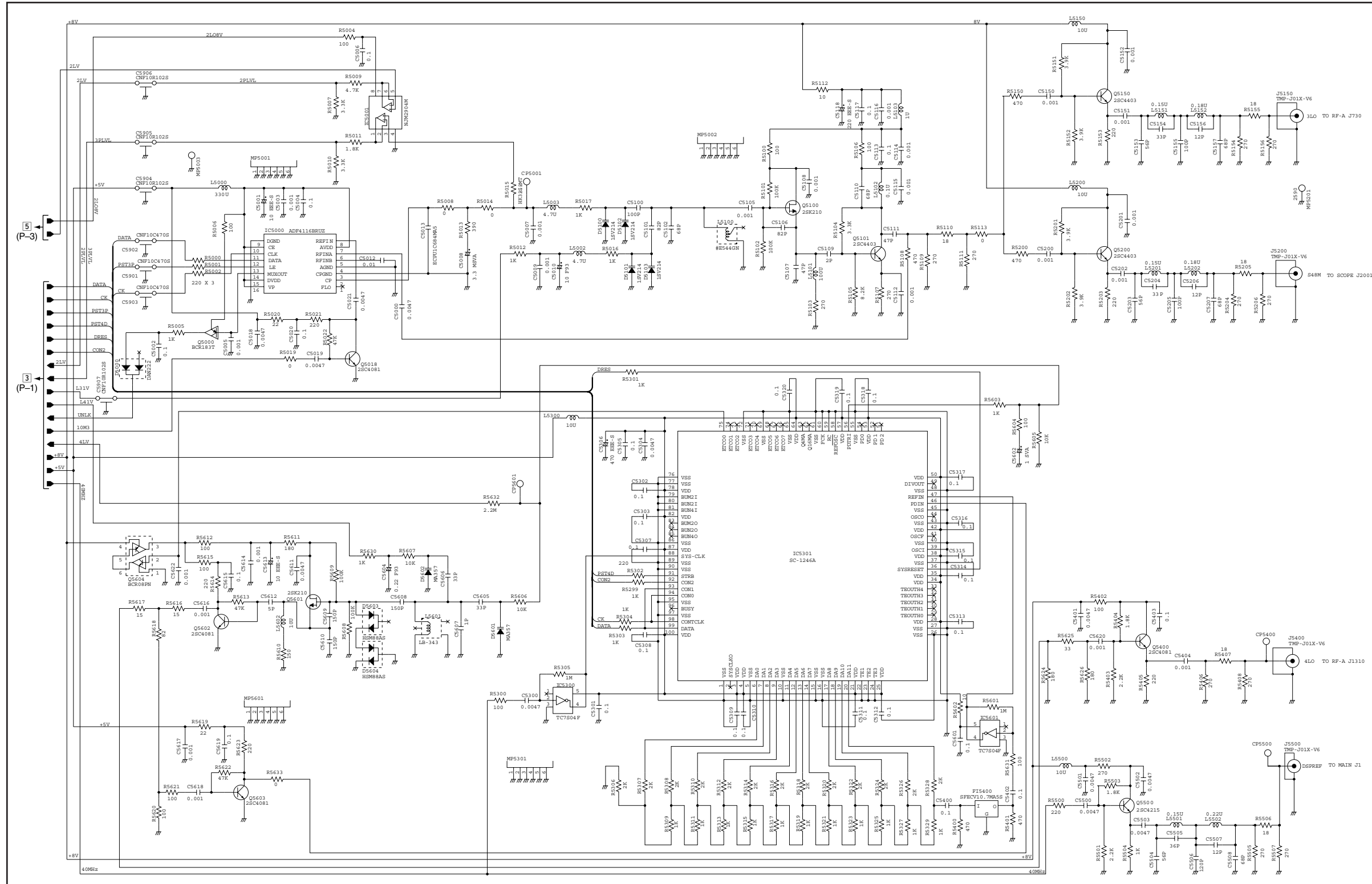
• MAIN UNIT (3)



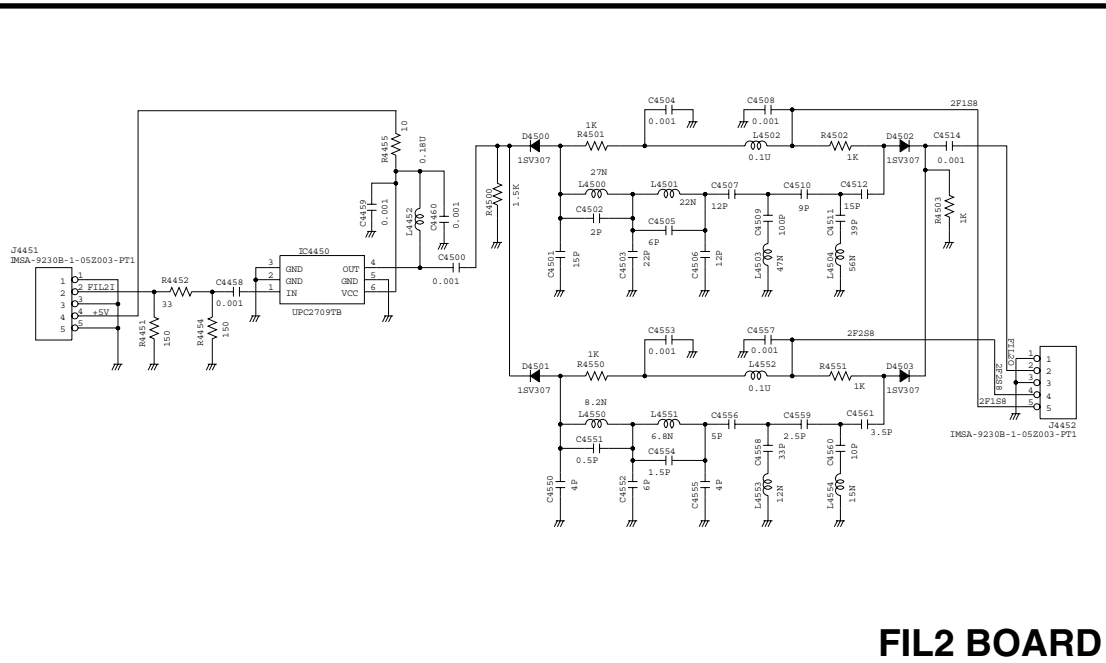
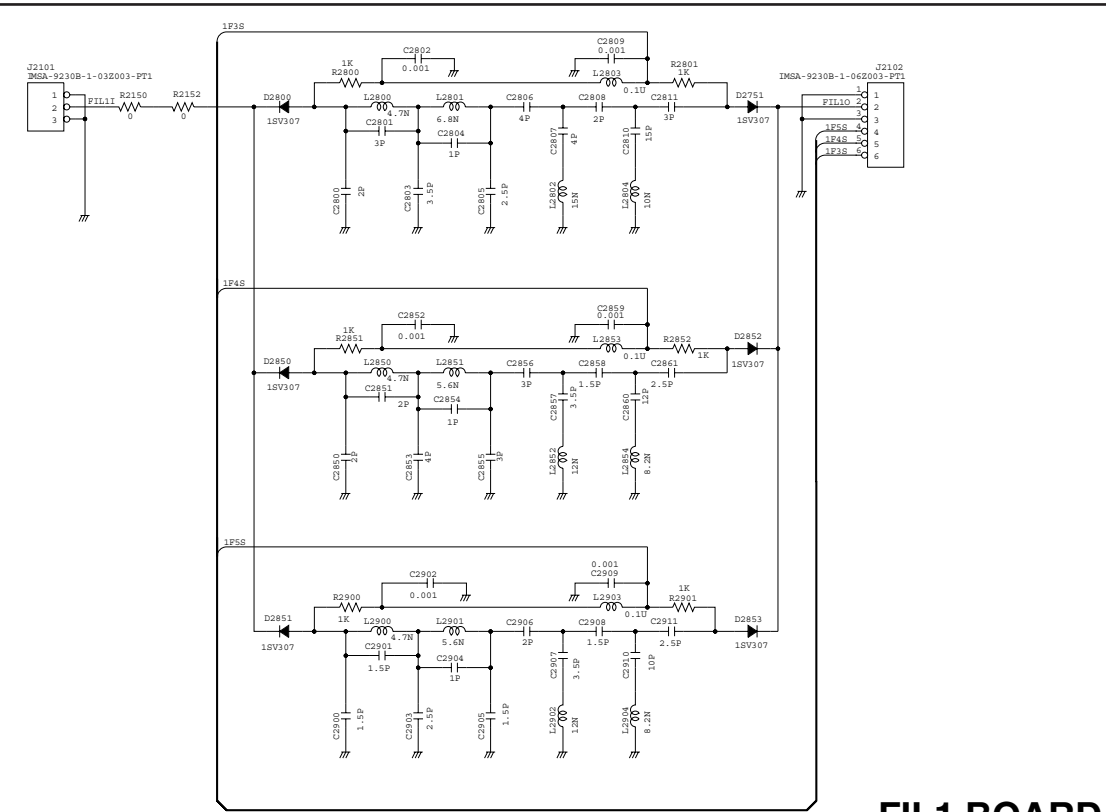
• MAIN UNIT (4)



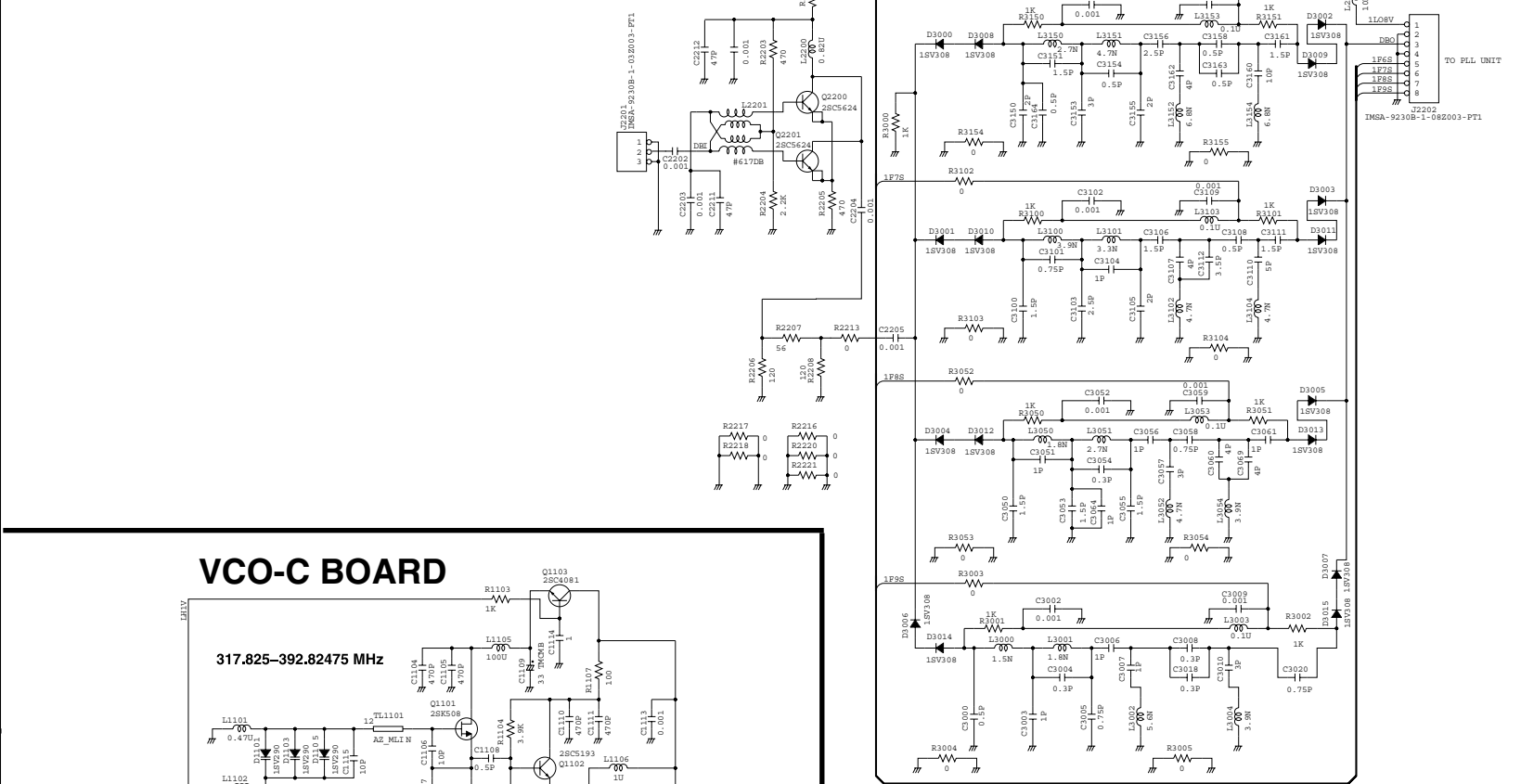
• PLL UNIT (4)



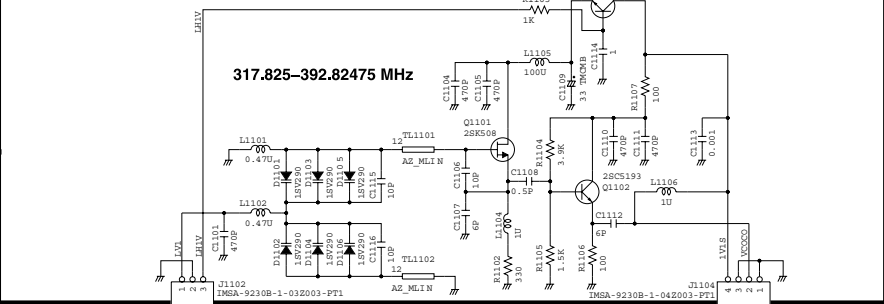
• PLL UNIT (5)



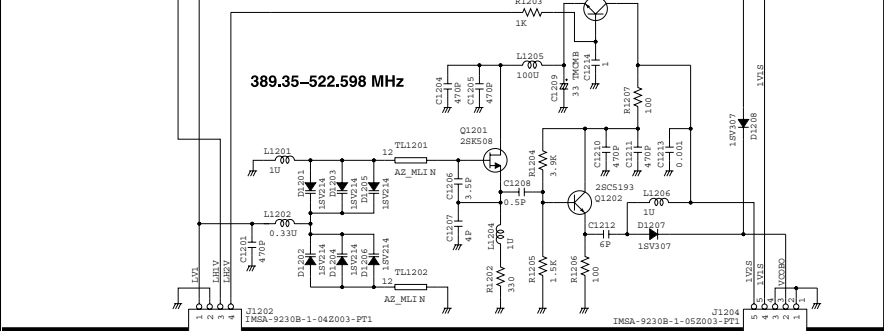
DOUBLER BOARD



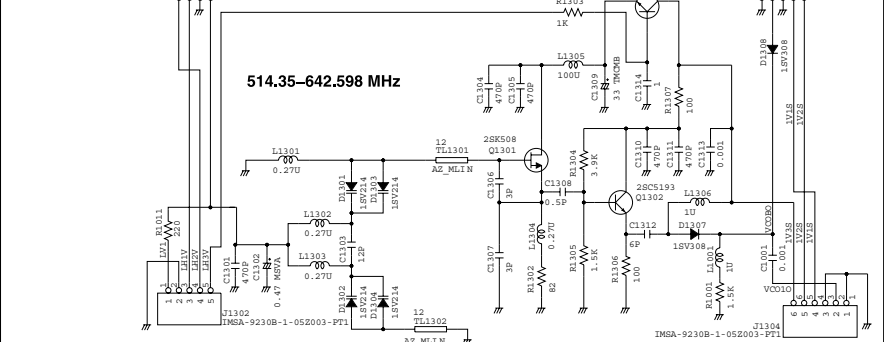
VCO-C BOARD



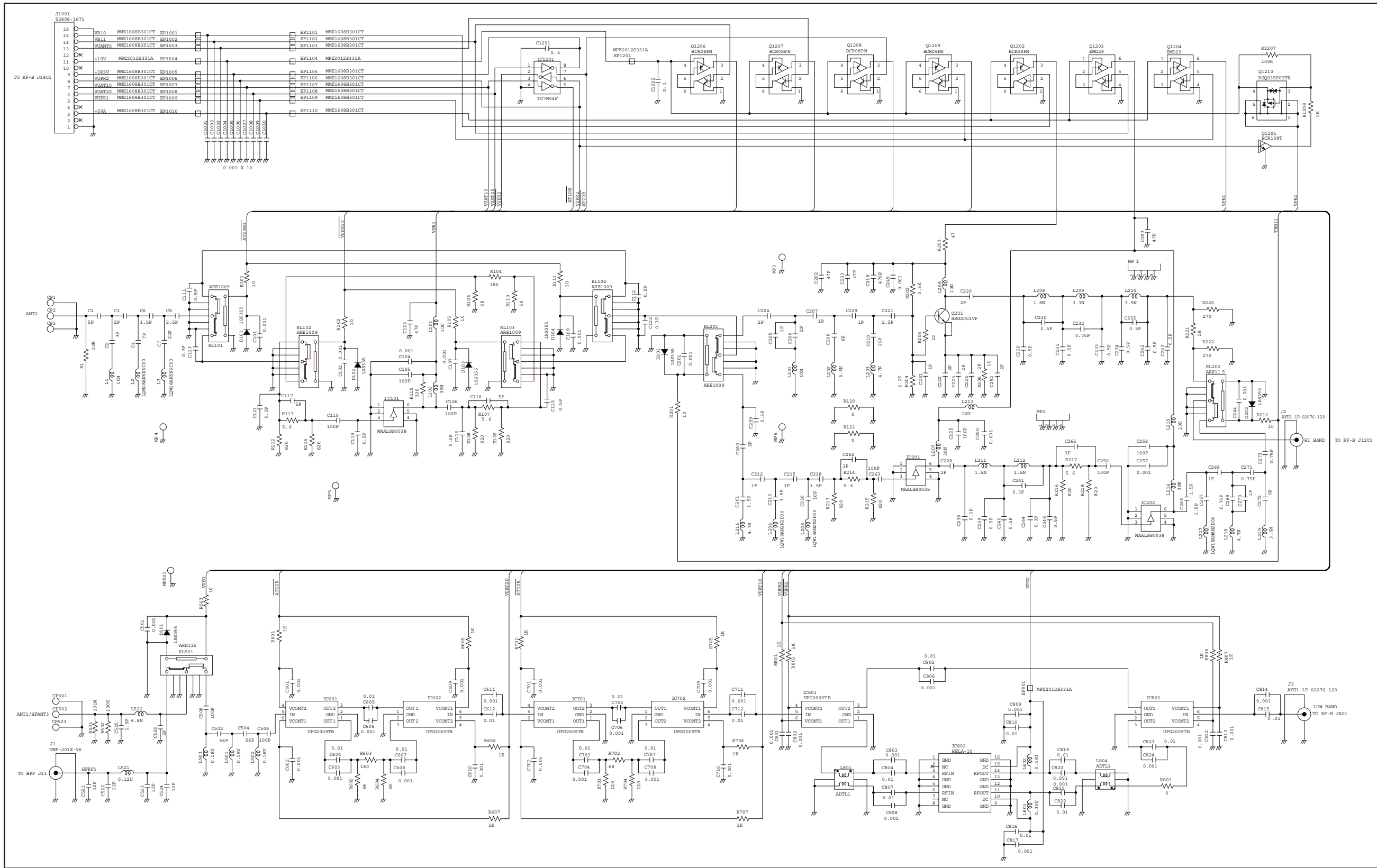
VCO-B BOARD



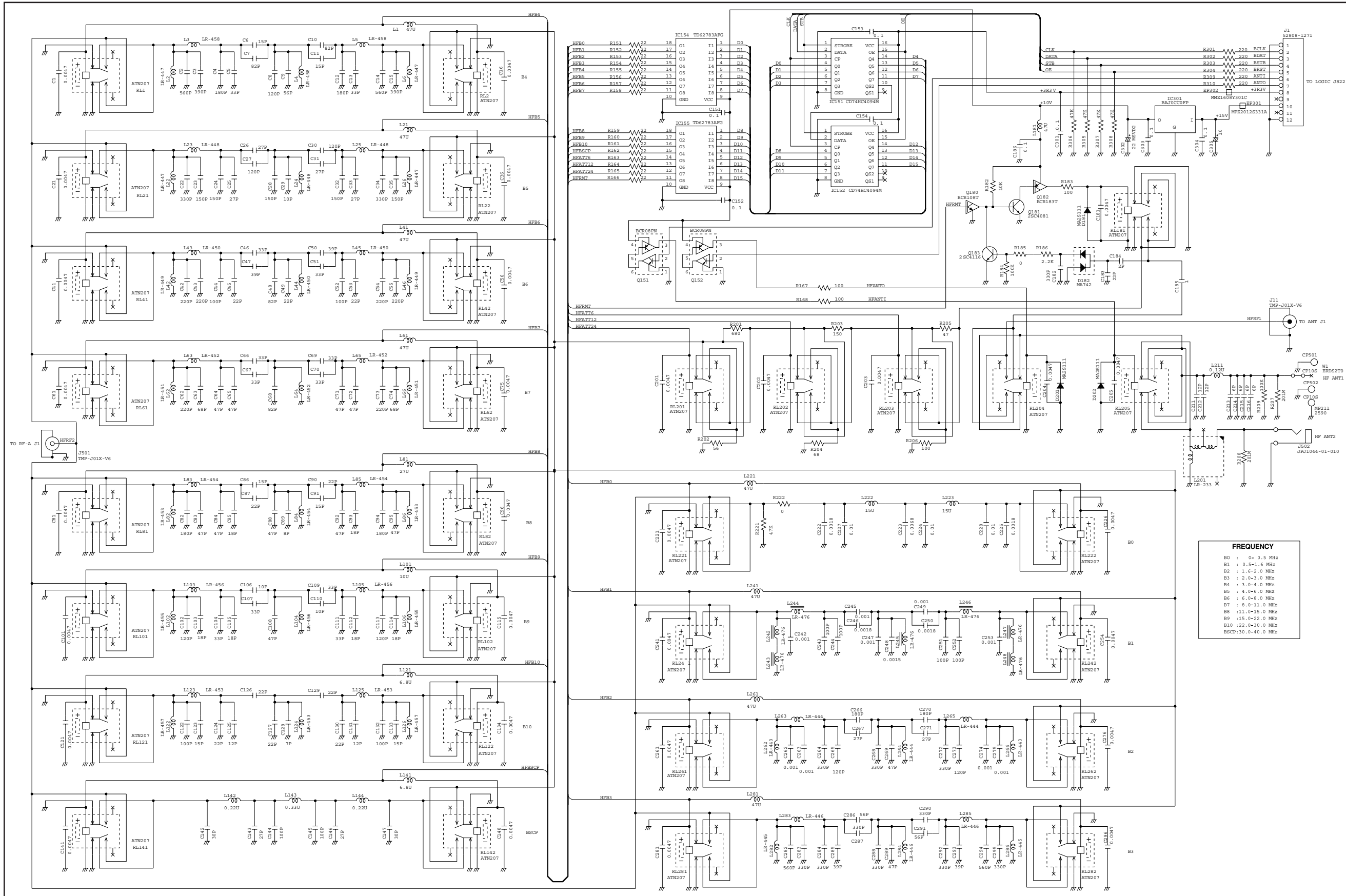
VCO-A BOARD

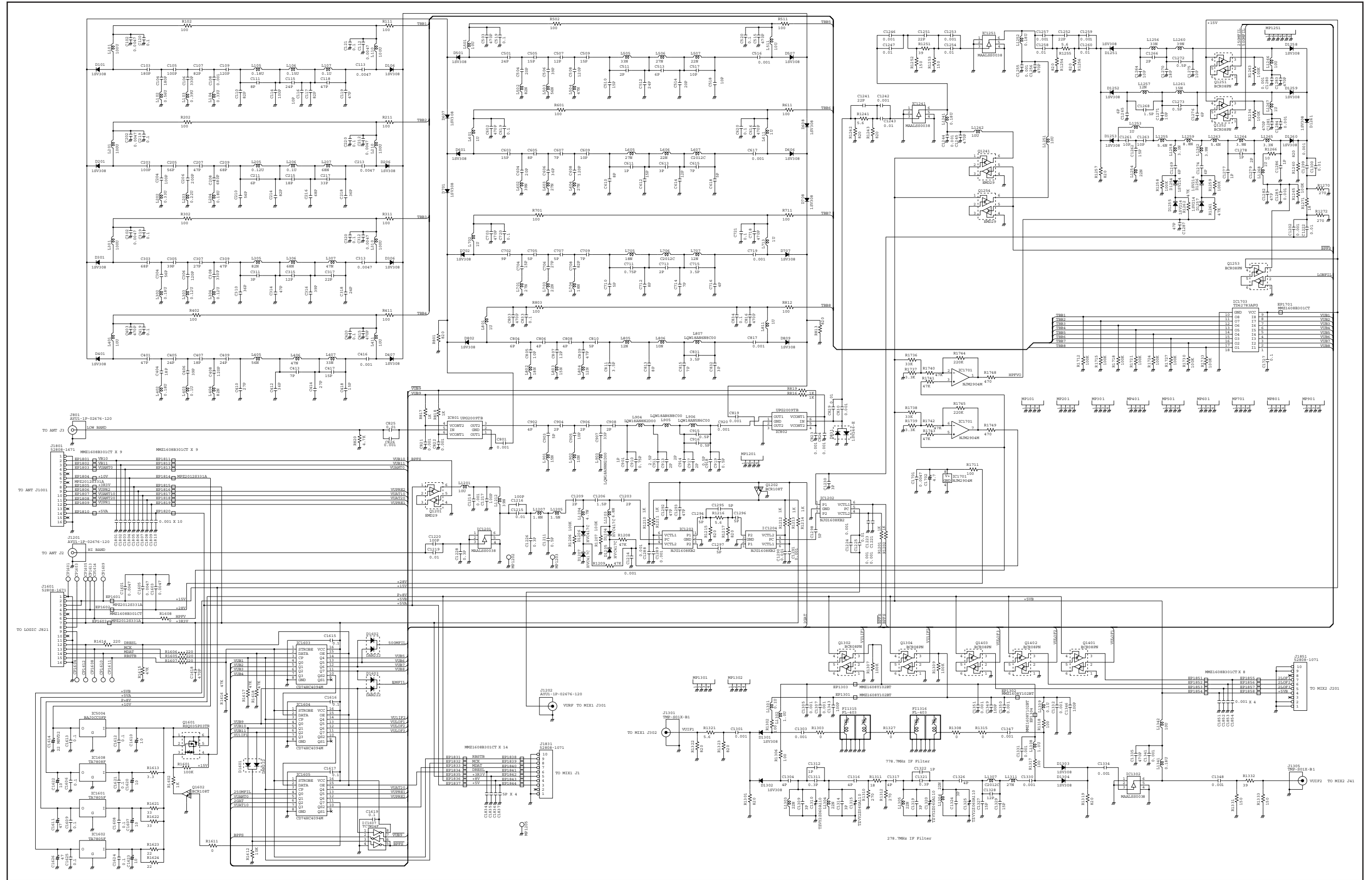


• ANT UNIT

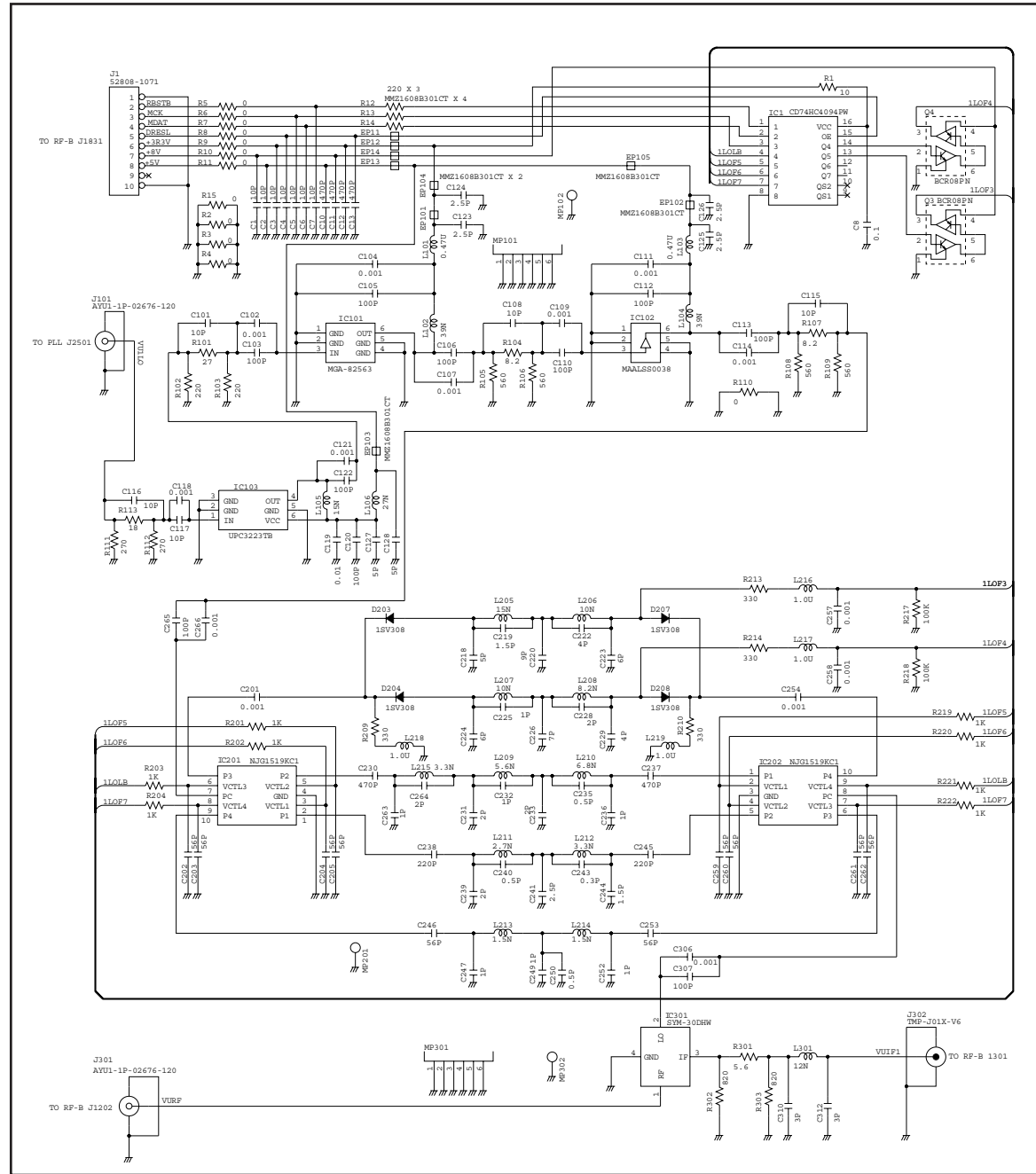


• BPF UNIT

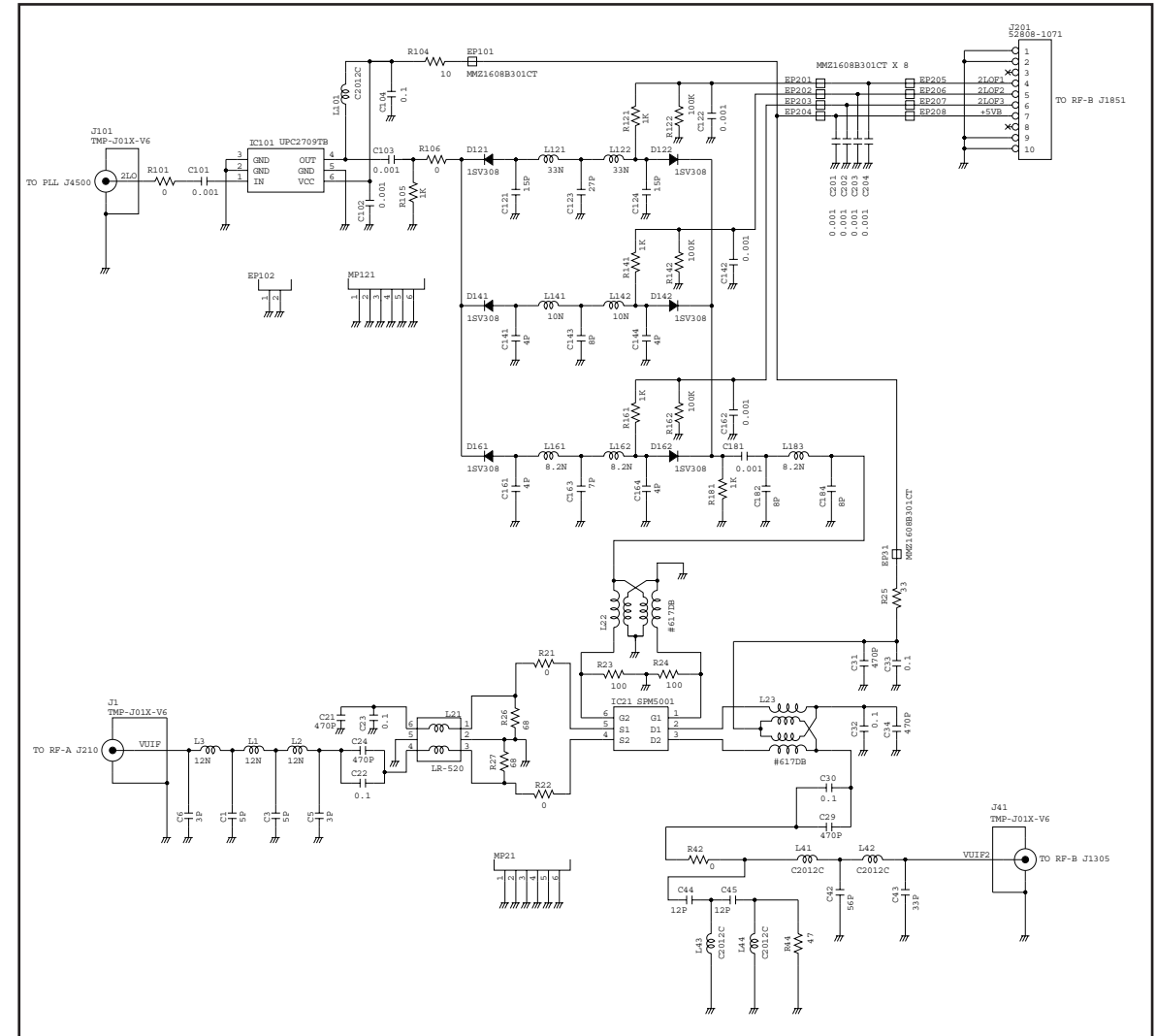




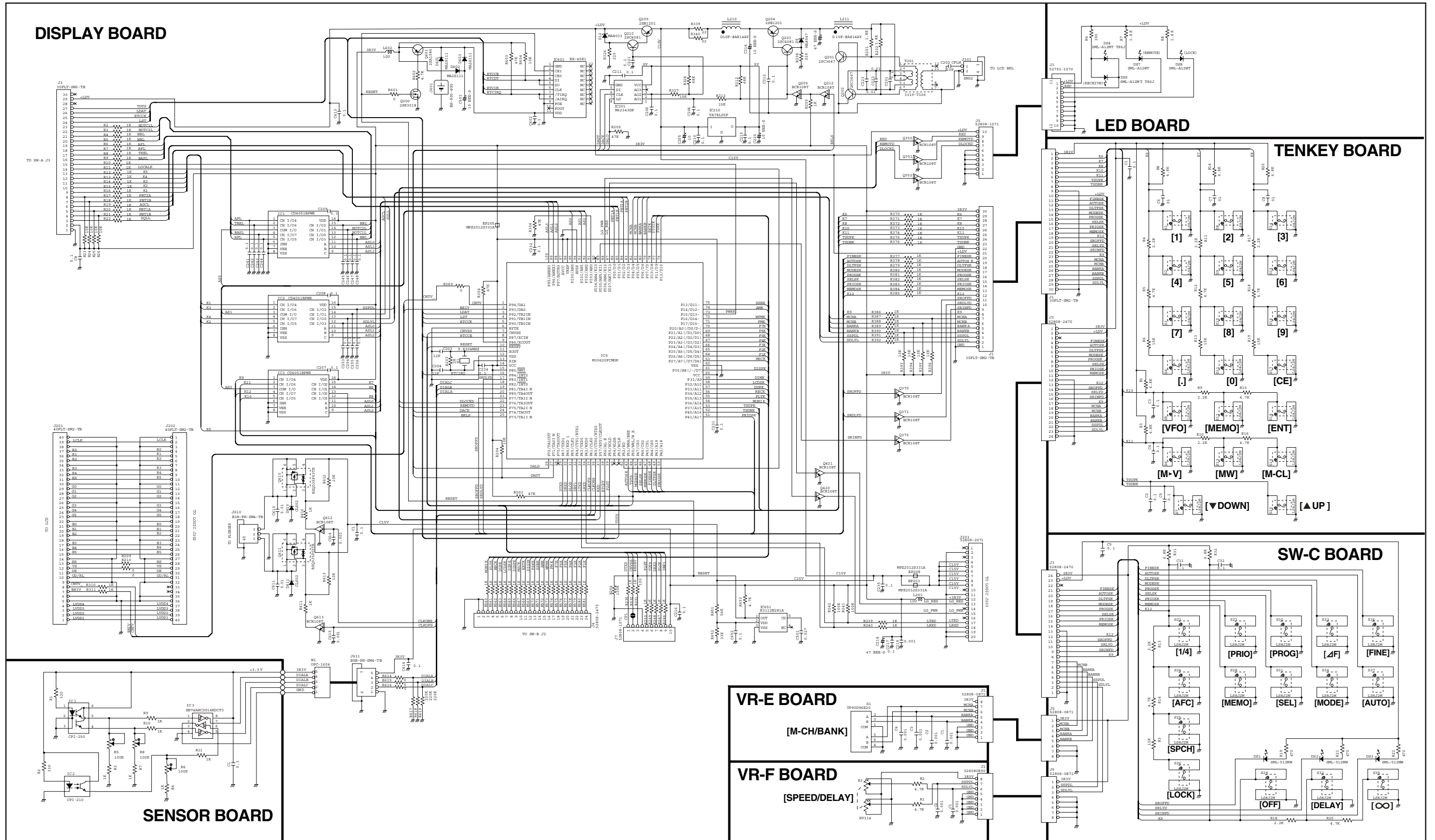
• MIX1 UNIT



• MIX2 UNIT

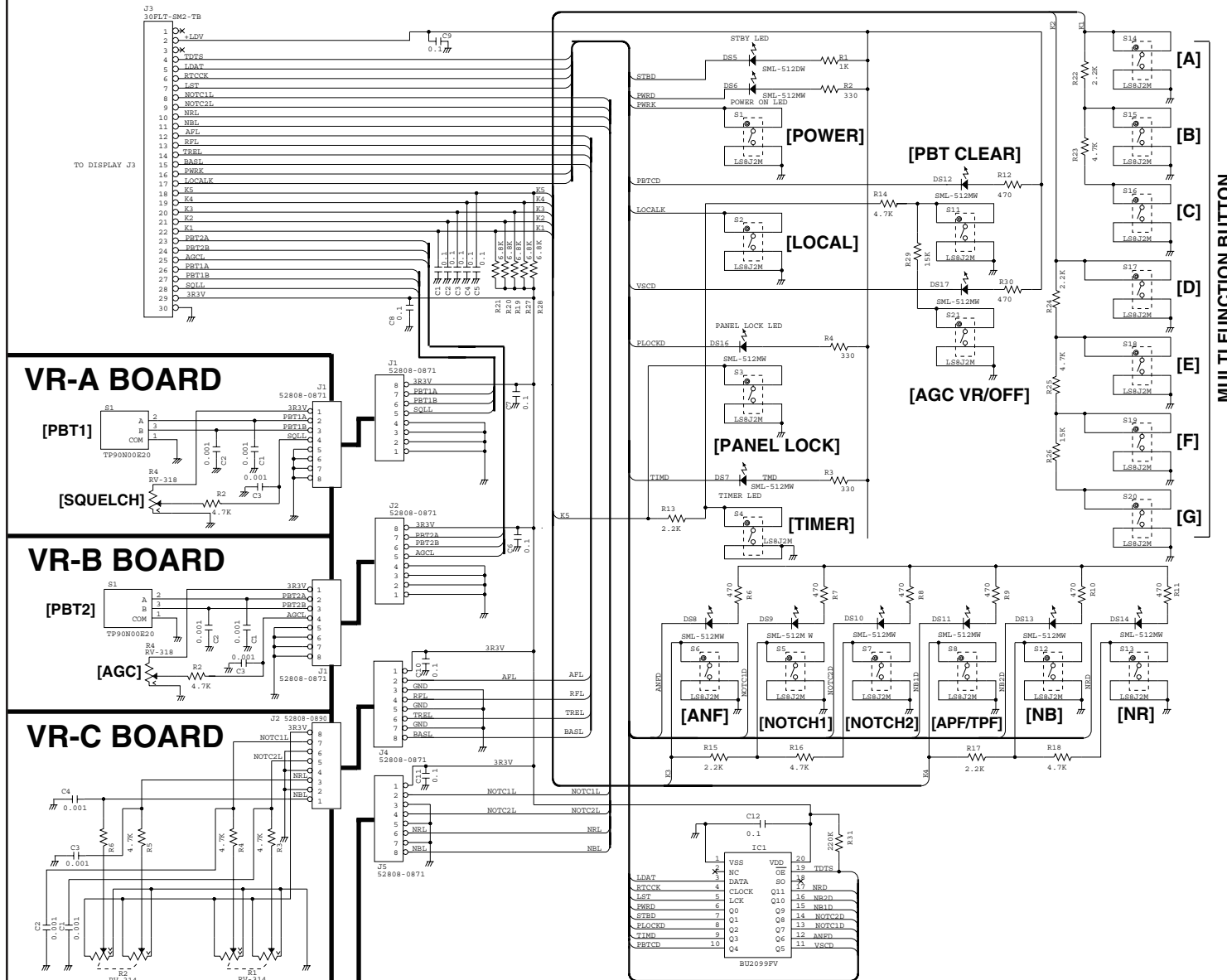


• FRONT UNIT (1)

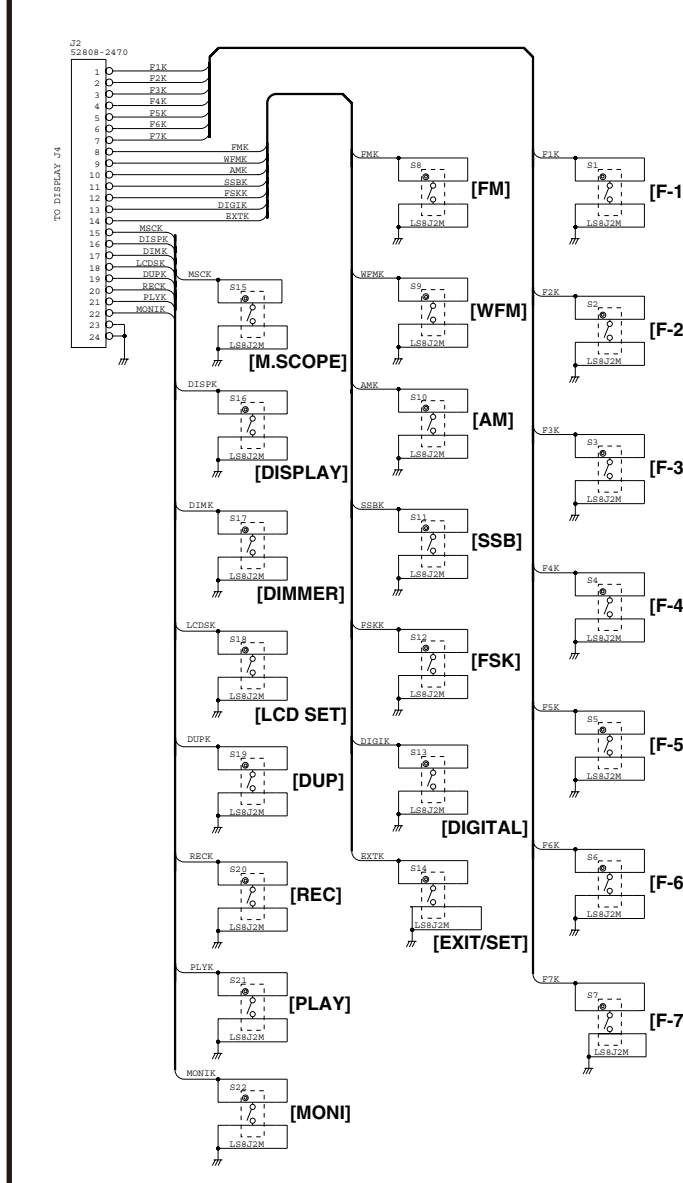


• FRONT UNIT (2)

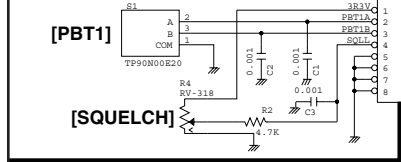
SW-A BOARD



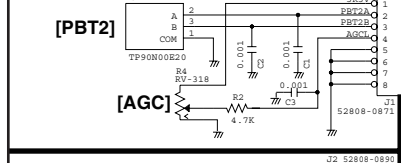
SW-B BOARD



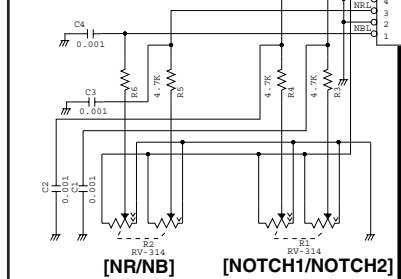
VR-A BOARD



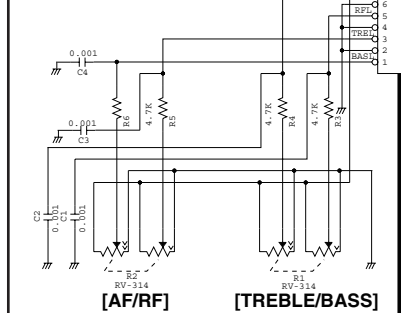
VR-B BOARD



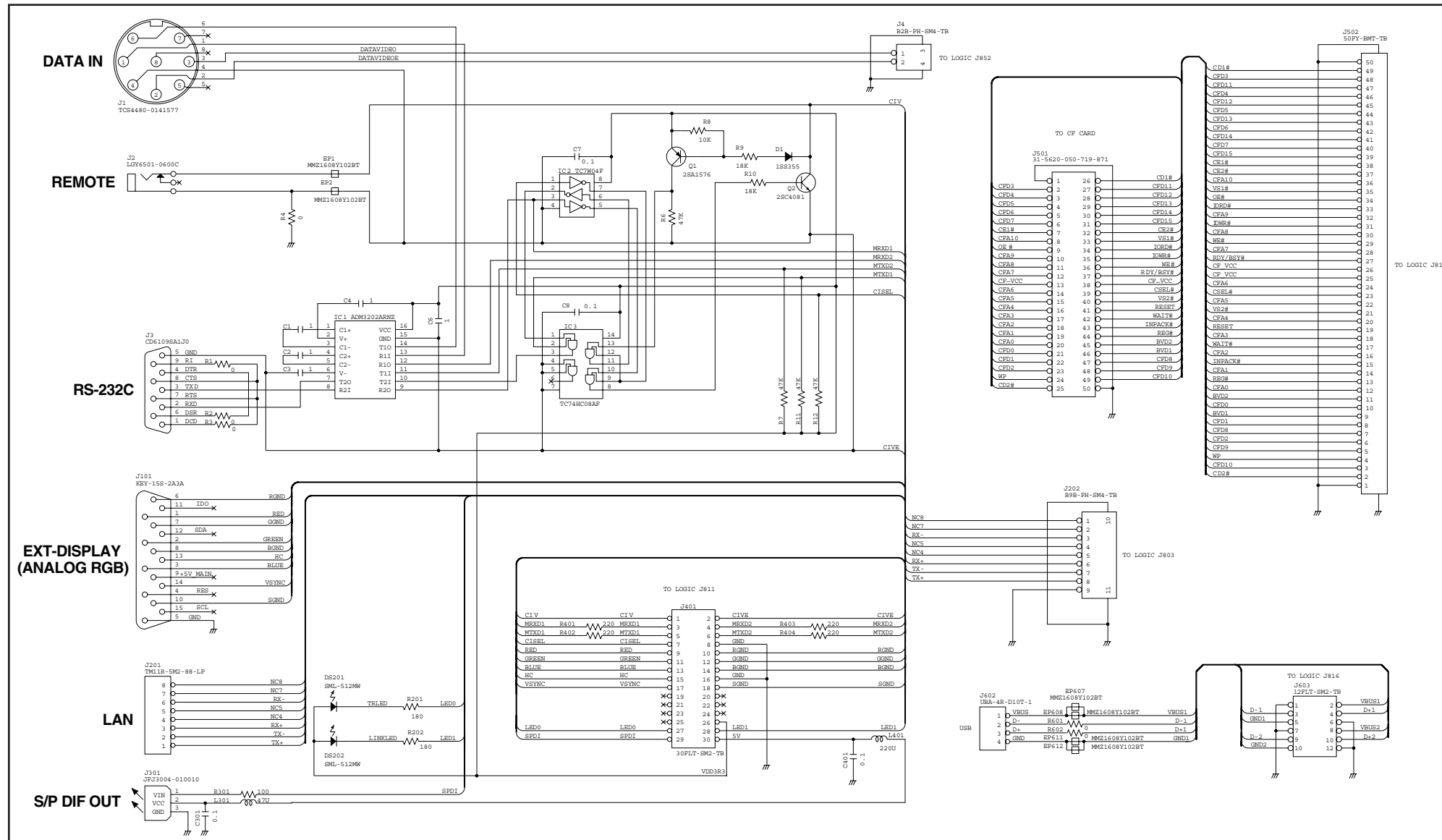
VR-C BOARD



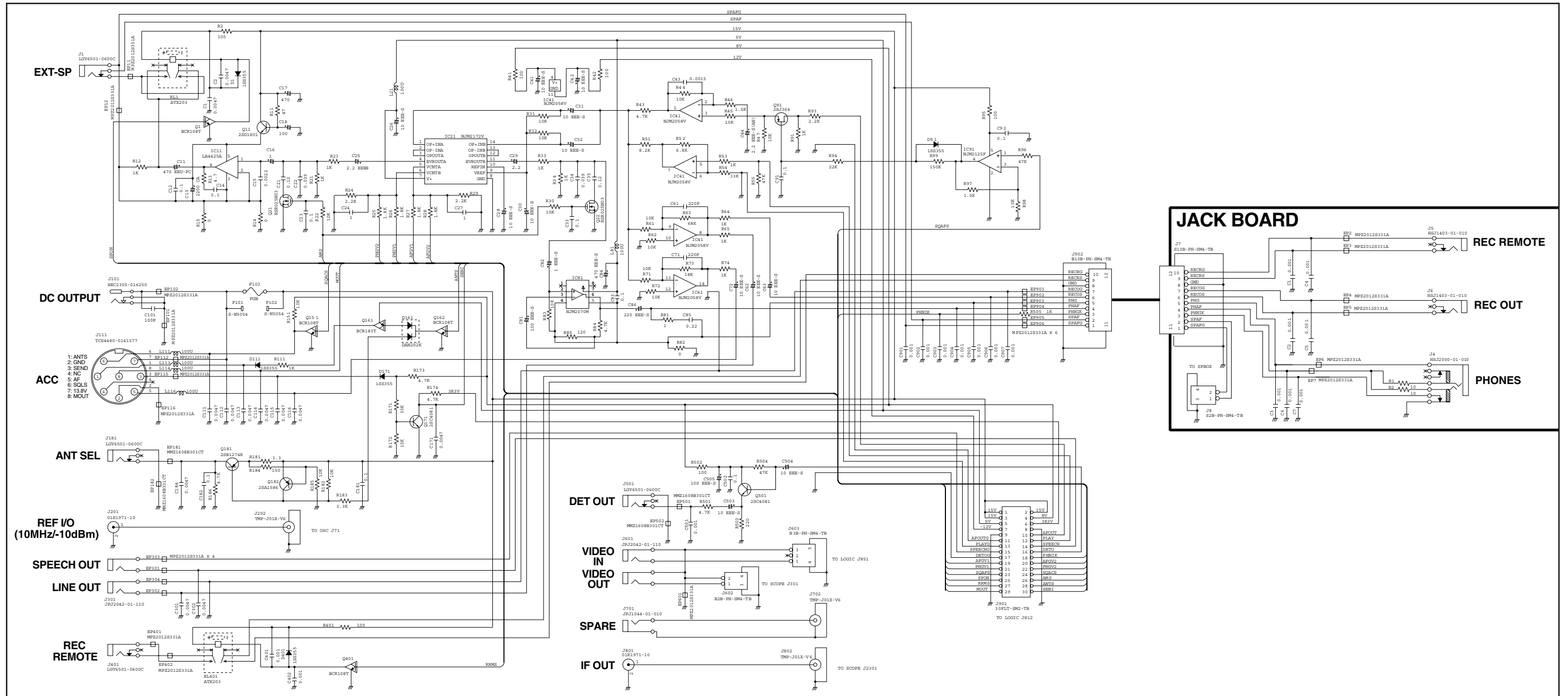
VR-D BOARD



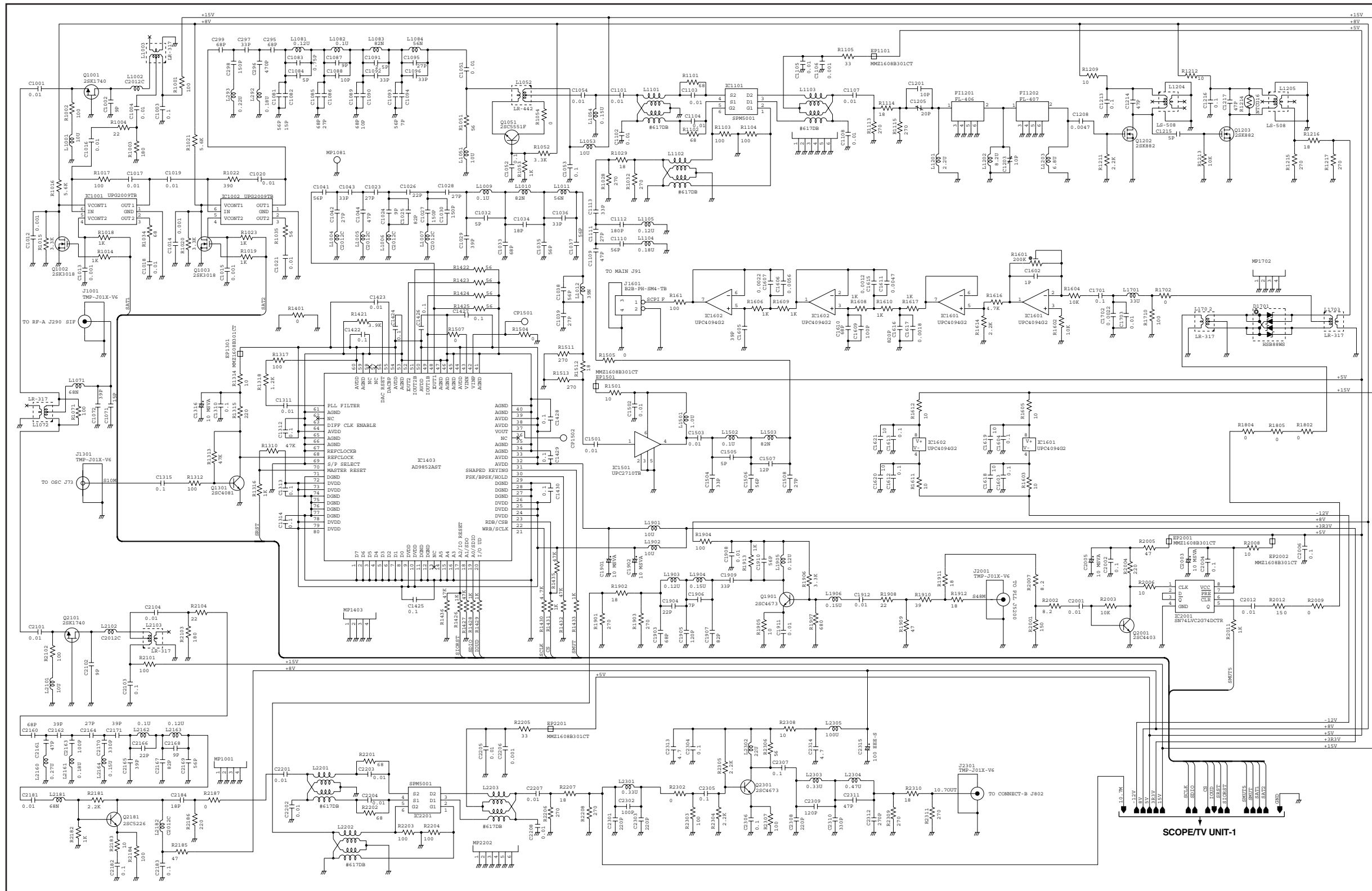
• CONNECT-A UNIT



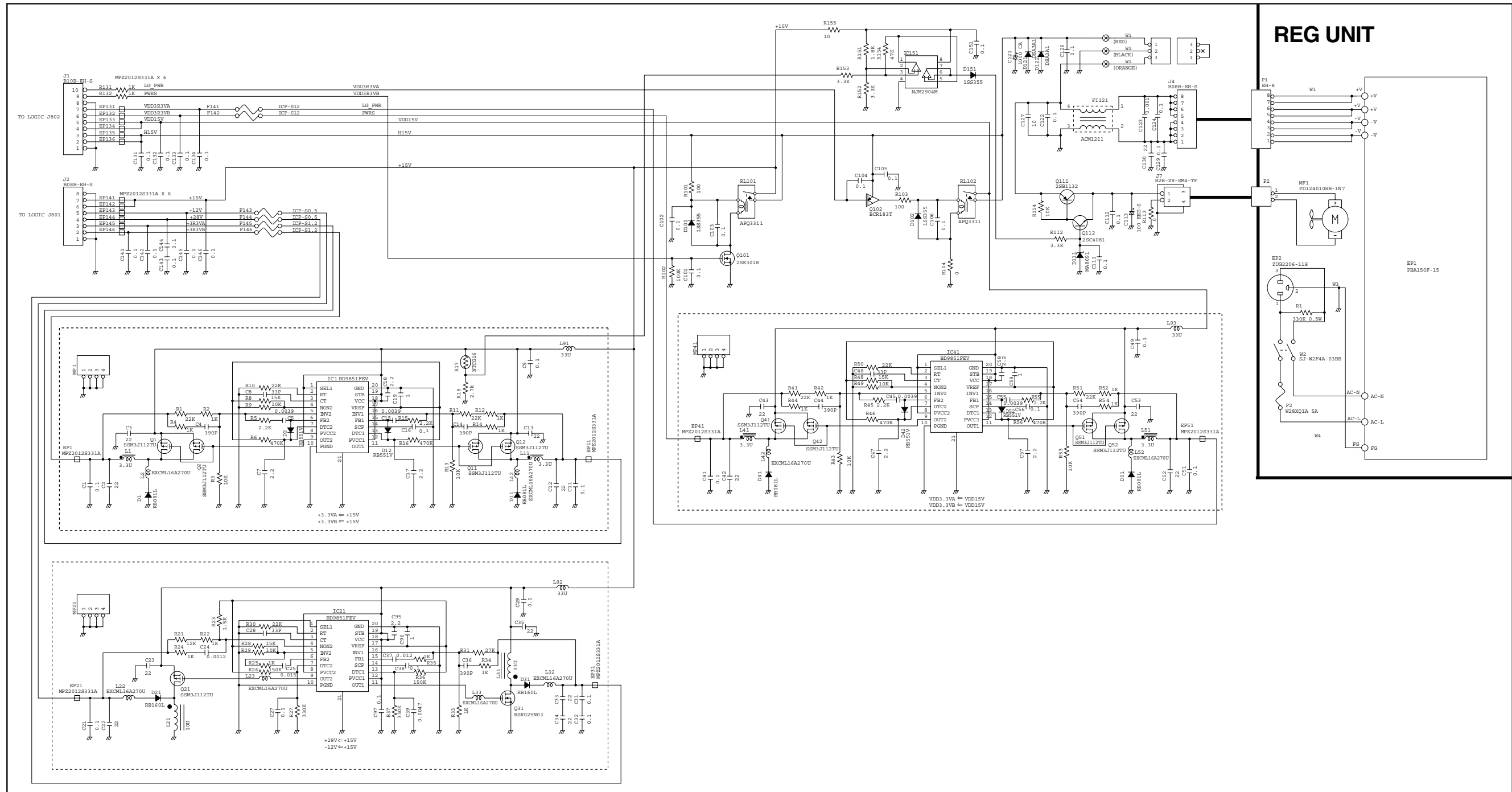
• CONNECT-B UNIT



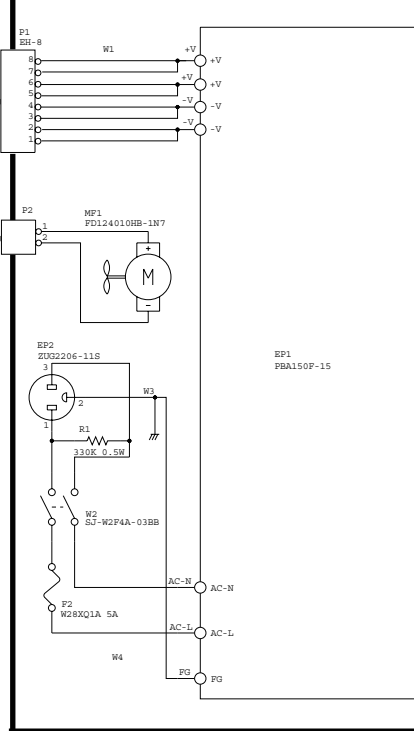
• SCOPE/TV UNIT (2)



• DC-DC UNIT



REG UNIT



Icom Inc.

1-1-32, Kamiminami, Hirano-ku, Osaka 547-0003, Japan
Phone : +81 (06) 6793 5302
Fax : +81 (06) 6793 0013
URL : <http://www.icom.co.jp/world/index.html>

Icom America Inc.

<Corporate Headquarters>
2380 116th Avenue N.E., Bellevue, WA 98004, U.S.A.
Phone : +1 (425) 454-8155 Fax : +1 (425) 454-1509
URL : <http://www.icomamerica.com>
E-mail : sales@icomamerica.com
<Customer Service>
Phone : +1 (425) 454-7619

Icom Canada

Glenwood Centre #150-6165
Highway 17 Delta, B.C., V4K 5B8, Canada
Phone : +1 (604) 952-4266 Fax : +1 (604) 952-0090
URL : <http://www.icomcanada.com>
E-mail : info@icomcanada.com

Icom (Australia) Pty. Ltd.

Unit 1 / 103 Garden Road, Clayton VIC 3168 Australia
Phone : +61 (03) 9549-7500 Fax : +61 (03) 9549-7505
URL : <http://www.icom.net.au>
E-mail : sales@icom.net.au

Icom New Zealand

146A Harris Road, East Tamaki,
Auckland, New Zealand
Phone : +64 (09) 274 4062 Fax : +64 (09) 274 4708
URL : <http://www.icom.co.nz>
E-mail : inquiries@icom.co.nz

Beijing Icom Ltd.

10C07, Long silver Mansion, No.88, Yong Ding
Road, Haidian District, Beijing, 100039, China
Phone : +86 (010) 5889 5391/5392/5393
Fax : +86 (010) 5889 5395
E-mail : bjicom@bjicom.com
URL : <http://www.bjicom.com>

Icom (Europe) GmbH

Communication Equipment
Auf der Krautweide 24
65812 Bad Soden am Taunus, Germany
Phone : +49 (6196) 76685-0 Fax : +49 (6196) 76685-50
URL : <http://www.icomeurope.com>
E-mail : info@icomeurope.com

Icom Spain S.L

Ctra. Rubi, No. 88 Bajos A 08174, Sant Cugat del Valles, Barcelona, Spain
Phone : +34 (93) 590 26 70 Fax : +34 (93) 589 04 46
URL : <http://www.icomspain.com>
E-mail : icom@icomspain.com

Icom (UK) Ltd.

Blacksole House, The Boulevard, Altira Business Park, Herne Bay, CT6 6GZ, UK
Phone : +44 (01227) 741741 Fax : +44 (01227) 741742
URL : <http://www.icomuk.co.uk>
E-mail : info@icomuk.co.uk

Icom France s.a.s.

Zac de la Plaine
1 Rue Brindejone des Moulinais BP 5804
31505 Toulouse Cedex, France
Phone : +33 (5) 61 36 03 03 Fax : +33 (5) 61 36 03 00
URL : <http://www.icom-france.com>
E-mail : icom@icom-france.com

Asia Icom Inc.

6F No.68, Sec. 1 Cheng-Teh Road, Taipei, Taiwan, R.O.C.
Phone : +886 (02) 2559 1899 Fax : +886 (02) 2559 1874
URL : <http://www.asia-icom.com>
E-mail : sales@asia-icom.com

Icom Polska

81-850 Sopot, ul. 3 Maja 54, Poland
Phone : +48 (58) 550 7135 Fax : +48 (58) 551 0484
E-mail : icompolska@icompolska.com.pl

Count on us!

Icom Inc.

1-1-32 Kamiminami, Hirano-ku, Osaka 547-0003, Japan

S-14323XZ-C1-①
© 2007 Icom Inc.